

# PARTS CATALOGUE



## SCOOTERS

SB60AA(GR)

XCITING 300i



檔車

Motorcycles



速克達

Scooters



全地型車

ATV



代步車

Mobilescooters

Release Date : 2013/04/24  
Print Date : 2013/07/25

## ABOUT THIS PARTS LIST

- This parts list is compiled all service parts for model SB60AA(GR).
- Any difference between color chart and motorcycle will be revised according to motorcycle.
- The Mark:
  1. Marking "\*\*\*" must add color code in the end before ordering parts.
  2. Marking "#" are parts with modification, Please find the details from e-Parts system.
- When modification or additions to this parts list are made a revised edition at an appropriate time.



# CONTENTS

● ABOUT THIS PARTS LIST .....	1
● COLOR CHART OF SB60AA(GR) .....	3
● CONTENTS-ENGINE GROUP .....	11
● CONTENTS-FRAME GROUP .....	12
● ENGINE PARTS LIST .....	15
● FRAME PARTS LIST .....	49
● PART NO. INDEX .....	135

NO	MODEL			COLOR CHART OF SB60AA(GR)						
	PHOTO NO			NO. 1	NO. 2	NO. 3	NO. 4			
	BASIC COLOR				Bright Silver		Dark Gray Metallic			
	CODE				Bright Silver		Dark Gray Metallic			
	PARTS NAME	PARTS NO.	VERSION	NH045MA	NH045MA	NH124MA	NH124MA			
1	FENDER FR	61100-LBA2-305	4	DOC		DOM				
2	SKIRT R SIDE	64305-LBA2-E00	2	D1R						
3	SKIRT L SIDE	64306-LBA2-E00	2							
4	COVER COMP RIGHT	11330-LLJ3-E00	4							
5	COVER LEFT	11341-LDF2-900	2							
6	COVER LEFT	11341-LDF2-910	2							
7	COVER LEFT	11341-LLJ3-E01	2							
8	HOLE CAP TAPPET	12361-LEA5-E00	1					HJA		
9	COVER WATER PUMP	19221-KHE7-900	3							
10	WHEEL RR CAST	42601-LDB2-E00	2							
11	WHEEL SET FR	44650-LBA2-305	0							
12	FORK ASSY REAR	52000-LDB2-E00	5							
13	CAP A.C.G	90084-LEA5-001	1	HJP						
14	TAIL CAP MUFFLER	18307-LDB2-E00	0							
15	PROTECTOR EXH PIPE	18325-LDB2-900	1							
16	LEVER R STRG HANDLE	53175-KKE5-E00	0	HJS						
17	LEVER L STRG HANDLE	53178-KKE5-E00	0							
18	CAP MASTER CYLINDER	45513-LEA7-E00	1	M3A						
19	GRIP COMP THROT	53140-KKC4-900	0							
20	GRIP L HANDLE	53166-KGB5-900	0	N1A						
21	COVER METER FR	53203-LBA2-E00	3							
22	COVER METER RR	53204-LBA2-E00	3							
23	COVER HNDL UP	53205-LBA2-E02	1							
24	COVER R HANDLE LOW	53206-LBA2-E00	1							
25	HOLDER ASSY WIND	6423A-LBA2-E00	1							
DATE OF STARTING-SALES										
DATE OF END-SALES										

NO	MODEL			COLOR CHART OF SB60AA(GR)			
	PHOTO NO			NO. 5	NO. 6		
	BASIC COLOR			Orange			
	CODE			Orange			
	PARTS NAME	PARTS NO.	VERSION	YR168PA	YR168PA		
1	FENDER FR	61100-LBA2-305	4	DKC			
2	SKIRT R SIDE	64305-LBA2-E00	2	D1R			
3	SKIRT L SIDE	64306-LBA2-E00	2				
4	COVER COMP RIGHT	11330-LLJ3-E00	4				
5	COVER LEFT	11341-LDF2-900	2				
6	COVER LEFT	11341-LDF2-910	2				
7	COVER LEFT	11341-LLJ3-E01	2				
8	HOLE CAP TAPPET	12361-LEA5-E00	1	HJA			
9	COVER WATER PUMP	19221-KHE7-900	3				
10	WHEEL RR CAST	42601-LDB2-E00	2				
11	WHEEL SET FR	44650-LBA2-305	0				
12	FORK ASSY REAR	52000-LDB2-E00	5				
13	CAP A.C.G	90084-LEA5-001	1				
14	TAIL CAP MUFFLER	18307-LDB2-E00	0	HJP			
15	PROTECTOR EXH PIPE	18325-LDB2-900	1	HJS			
16	LEVER R STRG HANDLE	53175-KKE5-E00	0	M3A			
17	LEVER L STRG HANDLE	53178-KKE5-E00	0				
18	CAP MASTER CYLINDER	45513-LEA7-E00	1	N1A			
19	GRIP COMP THROT	53140-KKC4-900	0				
20	GRIP L HANDLE	53166-KGB5-900	0				
21	COVER METER FR	53203-LBA2-E00	3	N1R			
22	COVER METER RR	53204-LBA2-E00	3				
23	COVER HNDL UP	53205-LBA2-E02	1				
24	COVER R HANDLE LOW	53206-LBA2-E00	1				
25	HOLDER ASSY WIND	6423A-LBA2-E00	1				
DATE OF STARTING-SALES							
DATE OF END-SALES							

NO	MODEL			COLOR CHART OF SB60AA(GR)							
	PHOTO NO			NO. 1	NO. 2	NO. 3	NO. 4				
	BASIC COLOR				Bright Silver		Dark Gray Metallic				
	CODE				Bright Silver		Dark Gray Metallic				
	PARTS NAME	PARTS NO.	VERSION	NH045MA	NH045MA	NH124MA	NH124MA				
26	COVER WIND SCREEN	64250-LBA2-E00	2	N1R							
27	GRID R FR MOLDING	64303-LBA2-E00	2								
28	GRID L FR MOLDING	64304-LBA2-E00	2								
29	FLOOR PANEL	64310-LBA2-E00	4								
30	COVER R PILLION STEP	64311-LBA2-E00	1								
31	MAT R FLOOR	64320-LBA2-E00	2								
32	MAT L FLOOR	64330-LBA2-E00	2								
33	COWL UNDER	64400-LBA2-E00	2								
34	FENDER RR	80105-LBA2-E00	1								
35	COVER CENTER	80151-LBA2-E00	1								
36	LEG SHIELD	81131-LBA2-E01	2								
37	LID ASSY INNER BOX	8114A-LBA2-E00	1								
38	BAND HARNESS WIRE	90656-KUDU-900	0								
39	MOLDING FR	64302-LBA2-E02	1								
40	COVER R BODY	83500-LBA2-E00	3					N8P		NFP	
41	COVER L BODY	83600-LBA2-E00	3								
42	COVER RR CENTER	83750-LBA2-E00	2								
43	CALIPER ASSY RR	43100-LDF2-E00	2					NEA			
44	CALIPER ASSY FR L/H	45100-LBA2-E01	6								
45	BRACKET COMP FR	45110-LBA2-305	0								
46	CALIPER ASSY FR R	45200-LBA2-E00	6								
47	BRACKET COMP FR	45210-LBA2-305	0								
48	BRACKET FR CALIPER	45210-LDF2-E00	0								
49	FORK ASSY R FR	51400-LDB2-E00	4								
50	BOTTOM CASE R	51421-LBA2-E00	0								
DATE OF STARTING-SALES											
DATE OF END-SALES											

NO	MODEL			COLOR CHART OF SB60AA(GR)			
	PHOTO NO			NO. 5	NO. 6		
	BASIC COLOR			Orange			
	CODE			Orange			
	PARTS NAME	PARTS NO.	VERSION	YR168PA	YR168PA		
26	COVER WIND SCREEN	64250-LBA2-E00	2	N1R			
27	GRID R FR MOLDING	64303-LBA2-E00	2				
28	GRID L FR MOLDING	64304-LBA2-E00	2				
29	FLOOR PANEL	64310-LBA2-E00	4				
30	COVER R PILLION STEP	64311-LBA2-E00	1				
31	MAT R FLOOR	64320-LBA2-E00	2				
32	MAT L FLOOR	64330-LBA2-E00	2				
33	COWL UNDER	64400-LBA2-E00	2				
34	FENDER RR	80105-LBA2-E00	1				
35	COVER CENTER	80151-LBA2-E00	1				
36	LEG SHIELD	81131-LBA2-E01	2				
37	LID ASSY INNER BOX	8114A-LBA2-E00	1				
38	BAND HARNESS WIRE	90656-KUDU-900	0				
39	MOLDING FR	64302-LBA2-E02	1				
40	COVER R BODY	83500-LBA2-E00	3				
41	COVER L BODY	83600-LBA2-E00	3				
42	COVER RR CENTER	83750-LBA2-E00	2	NEA			
43	CALIPER ASSY RR	43100-LDF2-E00	2				
44	CALIPER ASSY FR L/H	45100-LBA2-E01	6				
45	BRACKET COMP FR	45110-LBA2-305	0				
46	CALIPER ASSY FR R	45200-LBA2-E00	6				
47	BRACKET COMP FR	45210-LBA2-305	0				
48	BRACKET FR CALIPER	45210-LDF2-E00	0				
49	FORK ASSY R FR	51400-LDB2-E00	4				
50	BOTTOM CASE R	51421-LBA2-E00	0				
DATE OF STARTING-SALES							
DATE OF END-SALES							

NO	MODEL			COLOR CHART OF SB60AA(GR)			
	PHOTO NO			NO. 1	NO. 2	NO. 3	NO. 4
	BASIC COLOR				Bright Silver		Dark Gray Metallic
	CODE				Bright Silver		Dark Gray Metallic
	PARTS NAME	PARTS NO.	VERSION	NH045MA	NH045MA	NH124MA	NH124MA
51	FORK ASSY L FR	51500-LDB2-E00	4	NEA			
52	BOTTOM CASE L	51521-LBA2-E00	0	NEP			
53	MIRROR ASSY R BACK	88110-LBA2-E02	2	NES			
54	MIRROR ASSY L BACK	88120-LBA2-E02	2	NJP			NFP
55	CUSHION ASSY R RR	52400-LDB2-E00	3	NYA			
56	END HANDLE	53102-LEA5-E00	3	T01			
57	END R STRG HANDLE	53105-LEA5-E00	3	YYP			
58	CARRIER RR	81200-LBA2-E00	2				
59	CAP COMP FUEL FILLER	17620-LLJ3-E0A	3				
60	CAP COMP FUEL FILLER	17620-LLJ3-E0B	3				
61	SEAT ASSY	77200-LDG7-E00	1				
62	SEAT ASSY PAD	77220-LDG7-E00	0				
63	EMB BODY COVER	86202-LFG2-E00	1				
64	EMB I MARK	87140-LDG7-E01	2				
65	EMB MARK KYMCO	87206-LBA2-E00	2				
66	STRIPE MARK EURO 3	87311-LCD3-E00	1				
67	LABEL TIRE	87505-LBA2-E00	1				
68	LABEL CLEANNESS	87508-KKC4-E00	1				
69	CAUTION SIDE STAND	87541-GAR1-E00	1				
70	CAUTION MOBILE	87541-KKC2-E00	1				
71	MARK MAINT CAUTION	87542-GAR1-E00	2				
72	MARK DRIVE CAUTION	87560-GFY6-E00	3				
73	MUFFLER ASSY..	1830A-LFG2-E00	4				
74	PROTECTOR MUFFLER	18318-LBA2-E01	0				
75	COVER R SIDE	83520-LBA2-E00	2				
DATE OF STARTING-SALES							
DATE OF END-SALES							

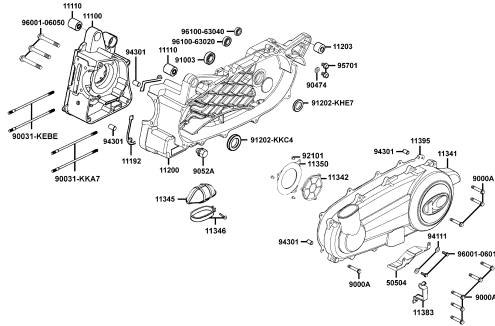
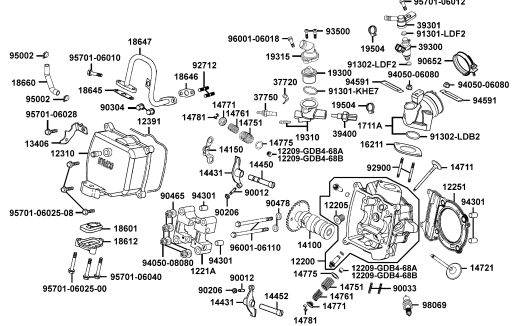
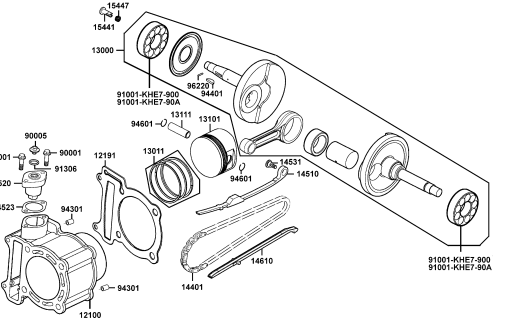
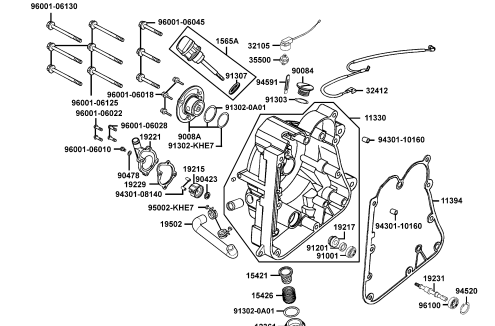
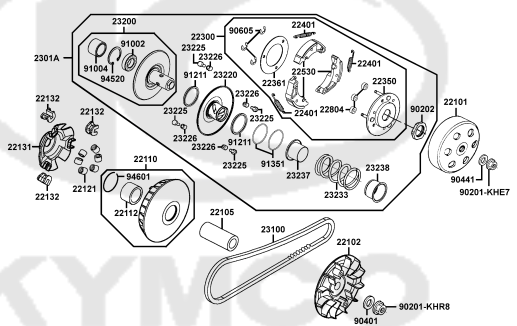
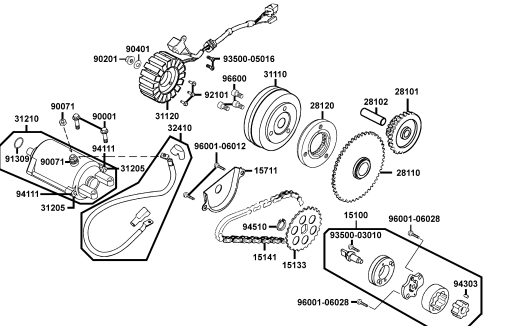
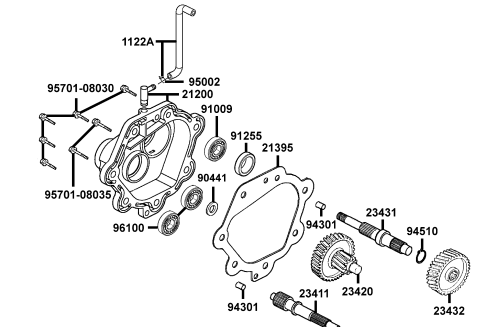
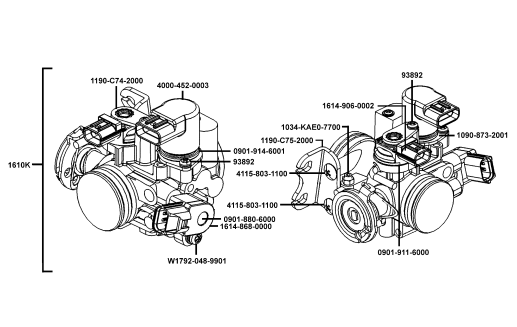


NO	MODEL			COLOR CHART OF SB60AA(GR)						
	PHOTO NO			NO. 5	NO. 6					
	BASIC COLOR			Orange						
	CODE			Orange						
	PARTS NAME	PARTS NO.	VERSION	YR168PA	YR168PA					
51	FORK ASSY L FR	51500-LDB2-E00	4	NEA						
52	BOTTOM CASE L	51521-LBA2-E00	0							
53	MIRROR ASSY R BACK	88110-LBA2-E02	2	NEP						
54	MIRROR ASSY L BACK	88120-LBA2-E02	2							
55	CUSHION ASSY R RR	52400-LDB2-E00	3	NES						
56	END HANDLE	53102-LEA5-E00	3							
57	END R STRG HANDLE	53105-LEA5-E00	3							
58	CARRIER RR	81200-LBA2-E00	2	YFP						
59	CAP COMP FUEL FILLER	17620-LLJ3-E0A	3	NYA						
60	CAP COMP FUEL FILLER	17620-LLJ3-E0B	3							
61	SEAT ASSY	77200-LDG7-E00	1	T01						
62	SEAT ASSY PAD	77220-LDG7-E00	0							
63	EMB BODY COVER	86202-LFG2-E00	1							
64	EMB I MARK	87140-LDG7-E01	2							
65	EMB MARK KYMCO	87206-LBA2-E00	2							
66	STRIPE MARK EURO 3	87311-LCD3-E00	1							
67	LABEL TIRE	87505-LBA2-E00	1							
68	LABEL CLEANNESS	87508-KKC4-E00	1							
69	CAUTION SIDE STAND	87541-GAR1-E00	1							
70	CAUTION MOBILE	87541-KKC2-E00	1							
71	MARK MAINT CAUTION	87542-GAR1-E00	2							
72	MARK DRIVE CAUTION	87560-GFY6-E00	3							
73	MUFFLER ASSY..	1830A-LFG2-E00	4				YYP			
74	PROTECTOR MUFFLER	18318-LBA2-E01	0							
75	COVER R SIDE	83520-LBA2-E00	2							
DATE OF STARTING-SALES										
DATE OF END-SALES										



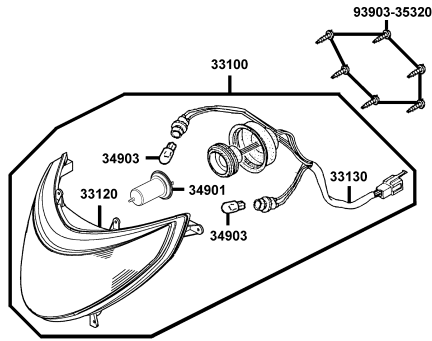


# CONTENTS - ENGINE GROUP

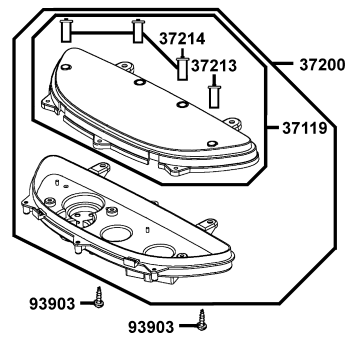
<p><b>E01 Crank Case</b></p> 	<p><b>E02 Cylinder Head Cover Cylinder</b></p> 	<p><b>E03 Cylinder Piston Crankshaft</b></p> 
<p><b>E04 Right Crankcase Cover Water</b></p> 	<p><b>E05 Transmission Pulley</b></p> 	<p><b>E06 Starting Motor Generator</b></p> 
<p><b>E07 Transmission</b></p> 	<p><b>E08 Throttle Body</b></p> 	

# CONTENTS - FRAME GROUP

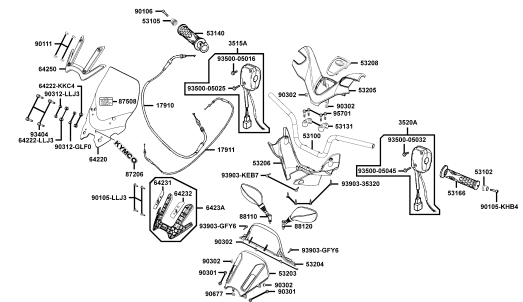
**F01** Head Light



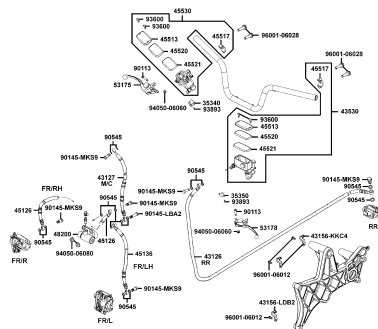
**F02** Speedometer



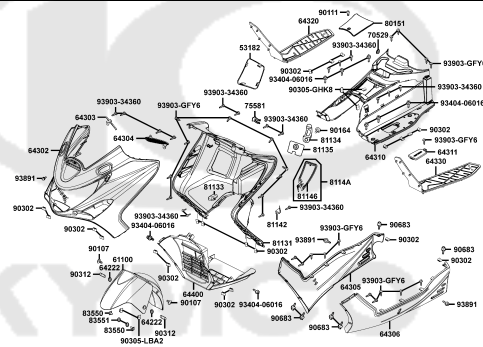
**F03** Handle SteeringHandle Cover



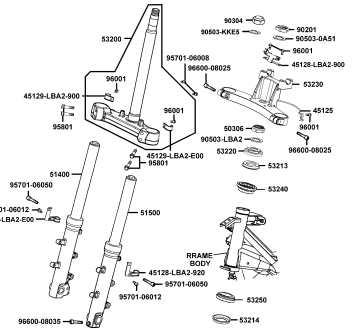
**F04** Brake Master Cylinder



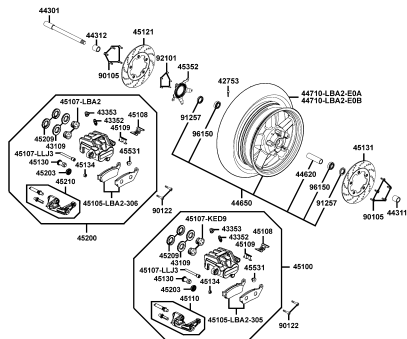
**F05** Front CoverFloor Panel



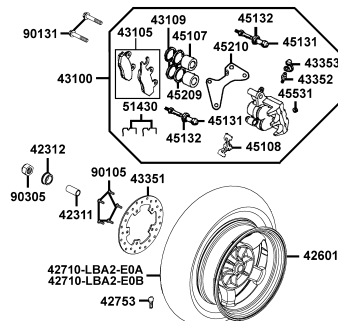
**F06** Front Cushion



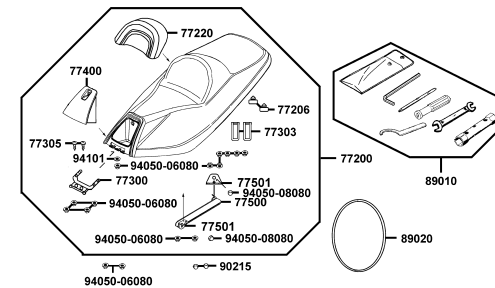
**F07** Front Wheel



**F08** Rear Wheel



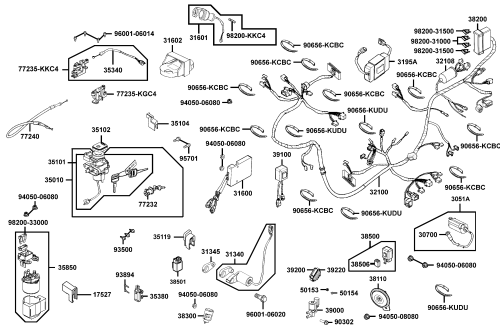
**F09** Seat



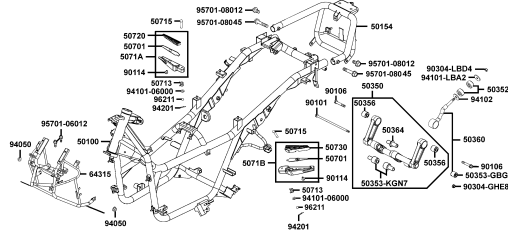


# CONTENTS - FRAME GROUP

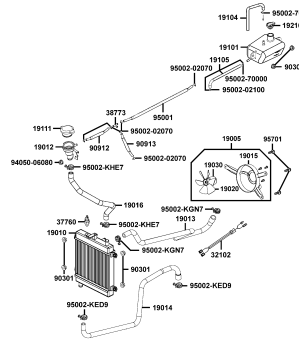
## F19 Wire Harness



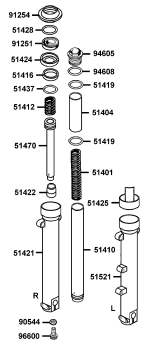
## F20 Frame Body



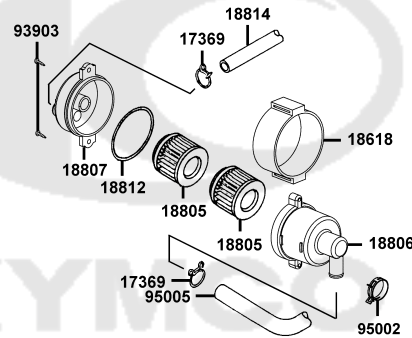
## F21 Radiator



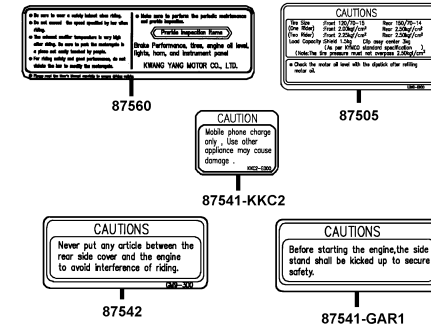
## F22 Separated Parts Of Fr Fork



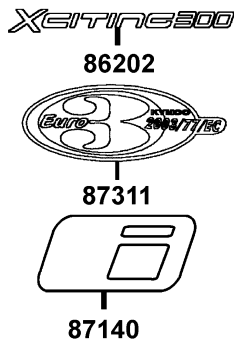
## F23 Assy Air-Aicv



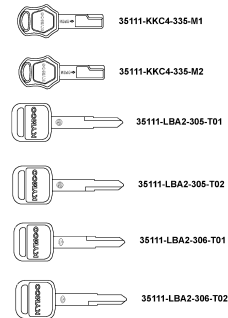
## F24 Caution Label



## F25 Emblem Stripe

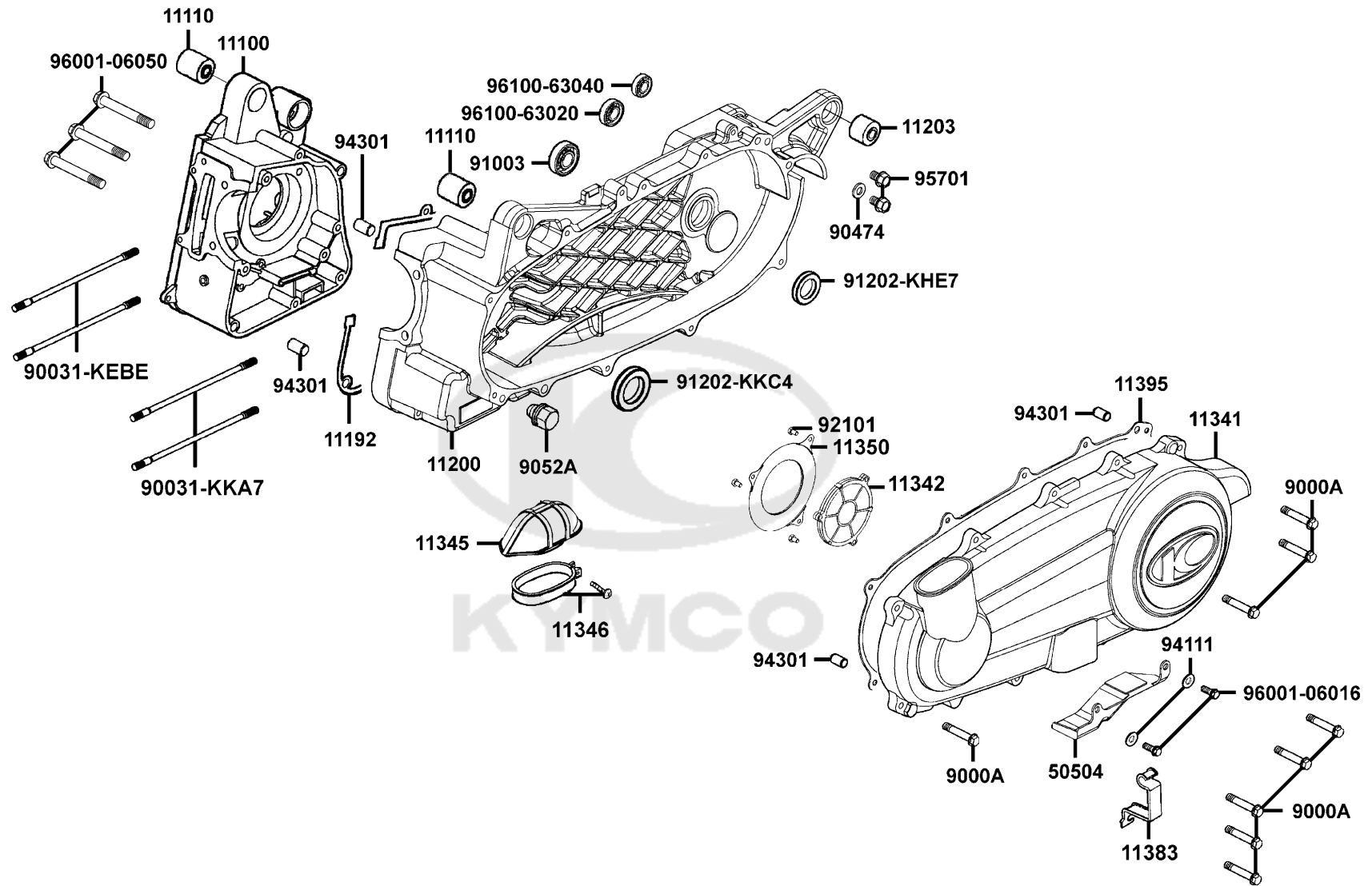


## F26 Key



E01

# Crank Case

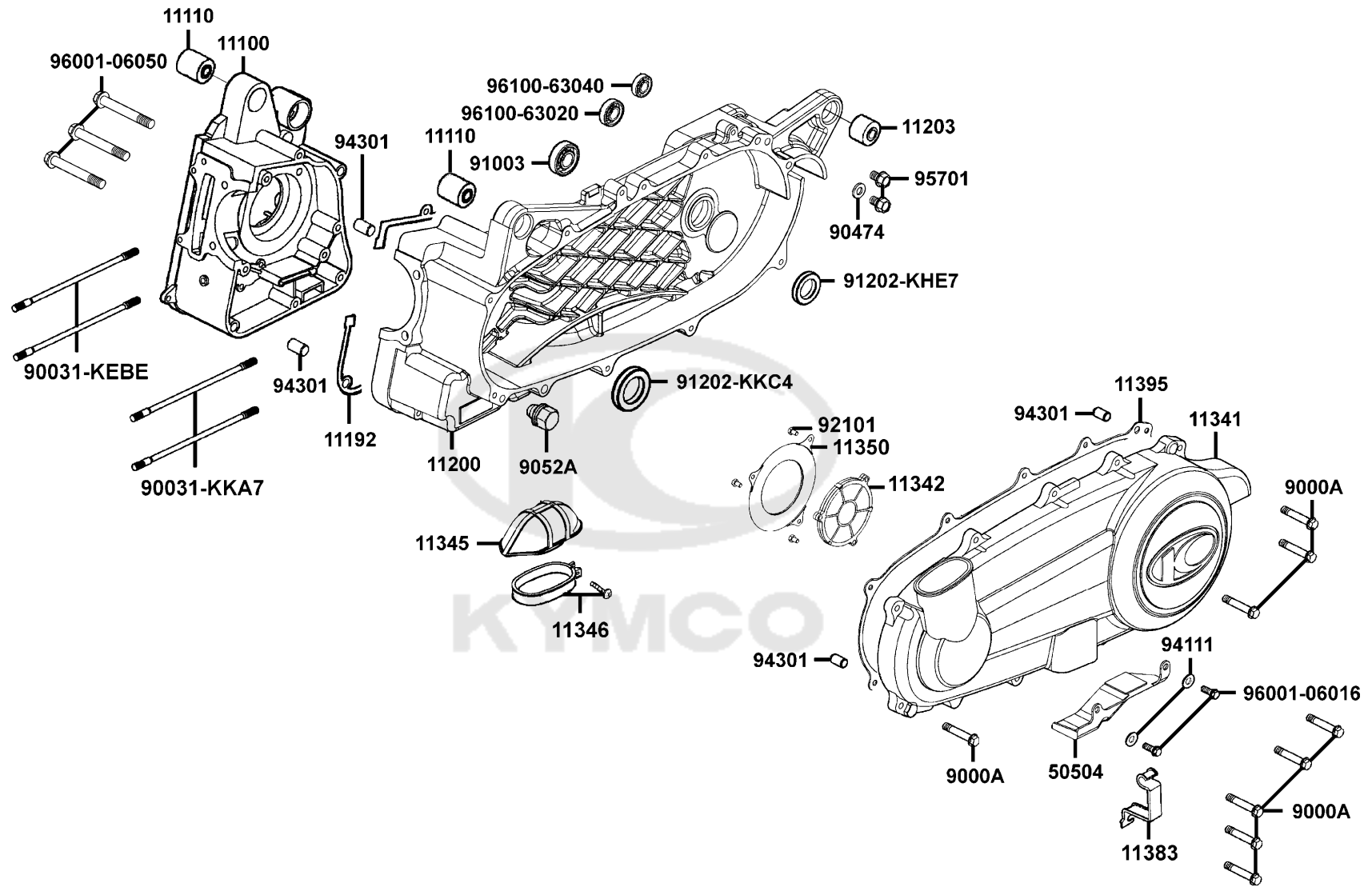




Sales mark	Ref no	Part no	Description	Reg description	Regd no	E01
	11100	11100-LDB2-E00	CRANK CASE COMP R	CRANK CASE COMP R	1	
	11110	11110-LLJ3-E00	BUSH ASSY	BUSH ASSY	2	
	11192	11192-KHE7-900	GASKET CRANK CASE A	GASKET CRANK CASE A	1	
	11200	11200-LDB2-E01	CASE COMP LEFT	CASE COMP LEFT	1	
	11203	11203-LBA2-E00	RUB BUSH L CASE	RUB BUSH L CASE	1	
**	11341	11341-LDF2-900	COVER LEFT	COVER LEFT	1	
**	11341	11341-LDF2-910	COVER LEFT	COVER LEFT	1	
**	11341	11341-LLJ3-E01	COVER LEFT	COVER LEFT	1	
	11342	11342-LDF2-910	PLATE L COVER	PLATE L COVER	1	
	11345	11345-LDB2-E00	DUCT L COVER	DUCT L COVER	1	
	11346	11346-GFY6-901	BAND L COVER DUCT	BAND L COVER DUCT	1	
	11350	11350-LHG7-E00	ELEMENT COMP L COVER	ELEMENT COMP L COVER	1	
	11383	11383-LDF2-900	CLAMPER BREATHER TUBE	CLAMPER BREATHER TUBE	1	
	11395	11395-LLJ3-E01	GASKET L COVER	GASKET L COVER	1	
	50504	50504-LDB2-E00	STAND MAIN STOPPER	STAND MAIN STOPPER	1	
	9000A	9000A-KTDT-900	BOLT ASSY SPECIAL 6*29.5	BOLT ASSY SPECIAL 6*29.5	9	
	90031-KEBE	90031-KEBE-900	BOLT A STUD 8MM	BOLT A STUD 8MM	2	
	90031-KKA7	90031-KKA7-900	BOLT A STUD 8MM	BOLT A STUD 8MM	2	
	90474	90474-3C33-001	WASHER 8MM	WASHER 8MM	1	
	9052A	9052A-LEB1-900	BOLT ASSY DRAIN PLUG	BOLT ASSY DRAIN PLUG	1	

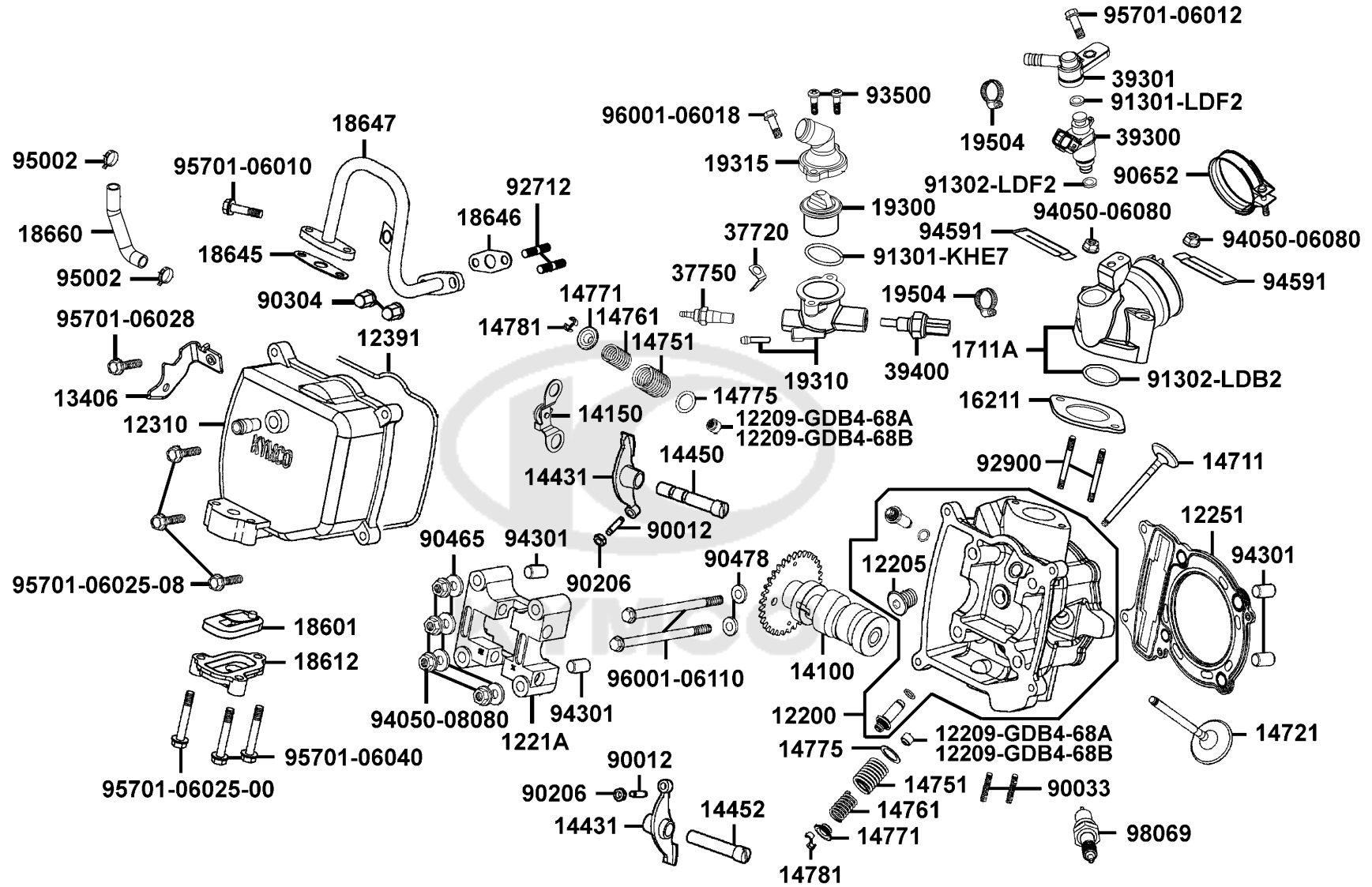
E01

Crank Case



Sales mark	Ref no	Part no	Description	Reg description	Regd no	<b>E01</b>
91003		91003-KHE7-900	BRG BALL RADIAL TMB2/22CCS15	BRG BALL RADIAL TMB2/22CCS15	1	
91202-KHE7		91202-KHE7-900	OIL SEAL 22X34X6	OIL SEAL 22X34X6	1	
91202-KKC4		91202-KKC4-900	OIL SEAL 27*42*7	OIL SEAL 27*42*7	1	
91202-KKC4		91202-KKC4-90B	OIL SEAL 27X42X7	OIL SEAL 27X42X7	1	
91202-KHE7		91202-LHG7-E00	OIL SEAL 22X34X6	OIL SEAL 22X34X6	1	
92101		92101-05008-0A	BOLT HEX 5*8	BOLT HEX 5*8	3	
94111		94111-06800	WASHER SPRING 6MM	WASHER SPRING 6MM	2	
94301		94301-10160	DOWEL PIN 10*16	DOWEL PIN 10*16	4	
95701		95701-08012-08	BOLT FLANGE 8X12	BOLT FLANGE 8X12	2	
96001-06016		96001-06016-08	BOLT FLANGE SH 6*16	BOLT FLANGE SH 6*16	2	
96001-06050		96001-06050-08	BOLT FLANGE SH 6*50	BOLT FLANGE SH 6*50	3	
96100-63020		96100-63020-00	BRG BALL RADIAL 6302	BRG BALL RADIAL 6302	1	
96100-63040		96100-63040-00	BRG BALL RADIAL 6304	BRG BALL RADIAL 6304	1	

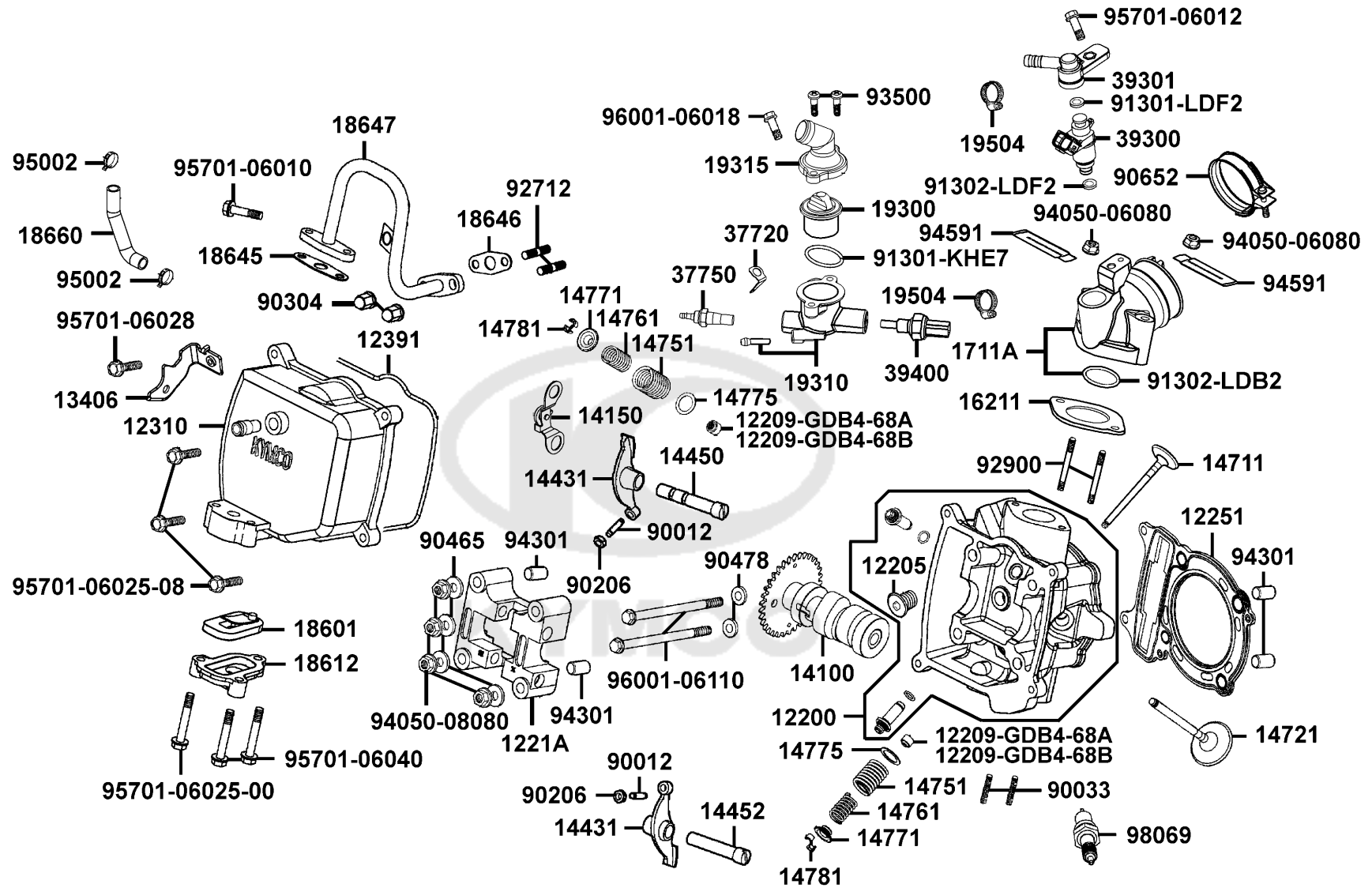
Cylinder Head Cover Cylinder Head



Sales mark	Ref no	Part no	Description	Reg description	Regd no	E02
	12200	12200-LFG2-E00	HEAD COMP CYL N	HEAD COMP CYL N	1	
	12205	12205-KHE8-301	BOLT SEALING 12MM	BOLT SEALING 12MM	1	
	12209-GDB4-68A	12209-GDB4-68A	SEAL VALVE STEM	SEAL VALVE STEM	2	
	12209-GDB4-68B	12209-GDB4-68B	SEAL VALVE STEM	SEAL VALVE STEM	2	
	1221A	1221A-LDB2-E00	HOLDER COMP CAM SHAFT	HOLDER COMP CAM SHAFT	1	
	12251	12251-KHE7-901	GASKET CYLINDER HEAD	GASKET CYLINDER HEAD	1	
	12310	12310-LDB2-E00	COVER COMP CYLN HEAD	COVER COMP CYLN HEAD	1	
	12391	12391-LDB2-E00	GASKET HEAD COVER	GASKET HEAD COVER	1	
	13406	13406-LDF2-900	PLATE EX AIR INJECTOR	PLATE EX AIR INJECTOR	1	
	14100	14100-LFG2-E00	SHAFT COMP CAM	SHAFT COMP CAM	1	
	14150	14150-LDB2-E00	PLATE COMP STOPPER	PLATE COMP STOPPER	1	
	14431	14431-LDB2-E00	ARM VALVE ROCKER	ARM VALVE ROCKER	2	
	14450	14450-KEBE-900	SHAFT COMP IN ROCKER ARM	SHAFT COMP IN ROCKER ARM	1	
	14452	14452-LDB2-E00	SHAFT EXH ROCKER ARM	SHAFT EXH ROCKER ARM	1	
	14711	14711-LFG2-E00	VALVE INLET	VALVE INLET	1	
	14721	14721-LFG2-E00	VALVE EXHAUST	VALVE EXHAUST	1	
	14751	14751-KHE7-900	SPG VALVE OUTER	SPG VALVE OUTER	2	
	14761	14761-KHE7-900	SPG VALVE INNER	SPG VALVE INNER	2	
	14771	14771-GDB4-680	RETAINER VALVE SPRING	RETAINER VALVE SPRING	2	
	14775	14775-MFA6-001	SEAT VALVE SPG	SEAT VALVE SPG	2	

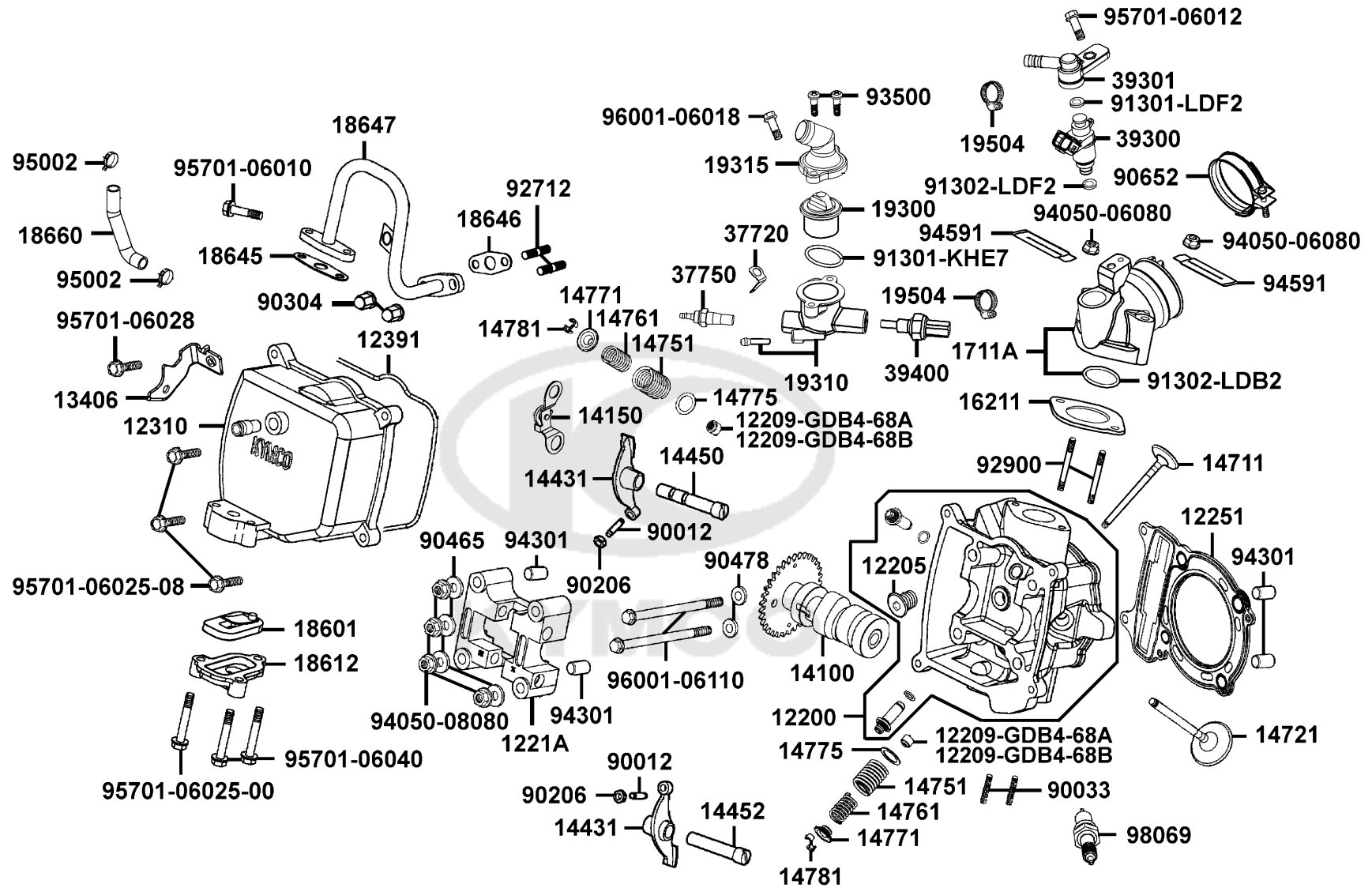
E02

# Cylinder Head Cover Cylinder Head



Sales mark	Ref no	Part no	Description	Reg description	Regd no	<b>E02</b>
14781		14781-MFA6-001	COTTER VALVE	COTTER VALVE	4	
16211		16211-LDF2-900	INSULATOR CARB	INSULATOR CARB	1	
1711A		1711A-LDF2-900	PIPE COMP INLET	PIPE COMP INLET	1	
18601		18601-MAJ1-791	REED VALVE COMP	REED VALVE COMP	1	
18612		18612-GFY6-941	COVER REED VALVE	COVER REED VALVE	1	
18645		18645-GFY6-941	GSKT A/I PIPE	GSKT A/I PIPE	1	
18646		18646-GFY6-941	GSKT A/I PIPE	GSKT A/I PIPE	1	
18647		18647-LDB2-900	PIPE COMP AIR	PIPE COMP AIR	1	
18660		18660-LDF2-900	TUBE EX AIR INJECTOR	TUBE EX AIR INJECTOR	1	
19300		19300-KAE1-004	THERMO STAT ASSY	THERMO STAT ASSY	1	
19310		19310-LDF2-900	CASE COMP THERMOSTAT	CASE COMP THERMOSTAT	1	
19315		19315-LDB2-E00	COVER THERMOSTAT	COVER THERMOSTAT	1	
19504		19504-LBA2-E00	CLAMP D16.8	CLAMP D16.8	2	
37720		37720-KGB5-900	EARTH TERMINAL THERMO	EARTH TERMINAL THERMO	1	
37750		37750-PAC1-005	THERMO UNIT ASSY	THERMO UNIT ASSY	1	
39300		39300-LDF2-800	INJECTOR UNIT FUEL	INJECTOR UNIT FUEL	1	
39301		39301-LDF2-900	CUP COMP FUEL INJECTOR	CUP COMP FUEL INJECTOR	1	
39400		39400-LDF2-800	WATER TEMP SENSOR	WATER TEMP SENSOR	1	
90012		90012-3C33-001	SCREW TAPPET ADJUSTING	SCREW TAPPET ADJUSTING	2	
90206		90206-0A01-001	NUT TAPPET ADJG	NUT TAPPET ADJG	2	

# Cylinder Head Cover Cylinder Head





Sales mark	Ref no	Part no	Description	Reg description	Regd no	E02
	90304	90304-4H38-001	NUT HEX CAP 6MM	NUT HEX CAP 6MM	2	
	90465	90465-MDC4-001	WASHER 8MM	WASHER 8MM	4	
	90478	90478-7L00-001	WASHER A 6MM	WASHER A 6MM	2	
	90652	90652-GFY6-901	BAND 49 AIR/C CONNECTING TUBE	BAND 49 AIR/C CONNECTING TUBE	1	
	91301-KHE7	91301-KHE7-900	O-RING 17.8*1.9	O-RING 17.8*1.9	1	
	91301-LDF2	91301-LDF2-800	O-RING 7.47*3.6	O-RING 7.47*3.6	1	
	91302-LDB2	91302-LDB2-E00	O-RING 37*3	O-RING 37*3	1	
	91302-LDF2	91302-LDF2-800	SEAL RING	SEAL RING	1	
	92712	92712-06028-0B	BOLT STUD 6X16	BOLT STUD 6X16	2	
	92900	92900-06050-0B	BOLT STUD 6*50	BOLT STUD 6*50	2	
	90033	92900-08046-0B	BOLT STUD 8X46	BOLT STUD 8X46	2	
	93500	93500-05016-0H	SCREW PAN 5*16	SCREW PAN 5*16	2	
	94050-06080	94050-06080	NUT FLANGE 6MM	NUT FLANGE 6MM	2	
	94050-08080	94050-08080	NUT FLANGE 8MM	NUT FLANGE 8MM	4	
	94301	94301-10160	DOWEL PIN 10*16	DOWEL PIN 10*16	4	
	94591	94591-KFBF-900	CLIP 2*70	CLIP 2*70	2	
	95002	95002-KKD6-E05	CLAMP D18 TUBE	CLAMP D18 TUBE	2	
	95701-06010	95701-06010-08	BOLT FLANGE 6*10	BOLT FLANGE 6*10	1	
	95701-06012	95701-06012-08	BOLT FLANGE 6*12	BOLT FLANGE 6*12	1	
	95701-06025-00	95701-06025-00	BOLT FLANGE SH 6*25	BOLT FLANGE SH 6*25	1	

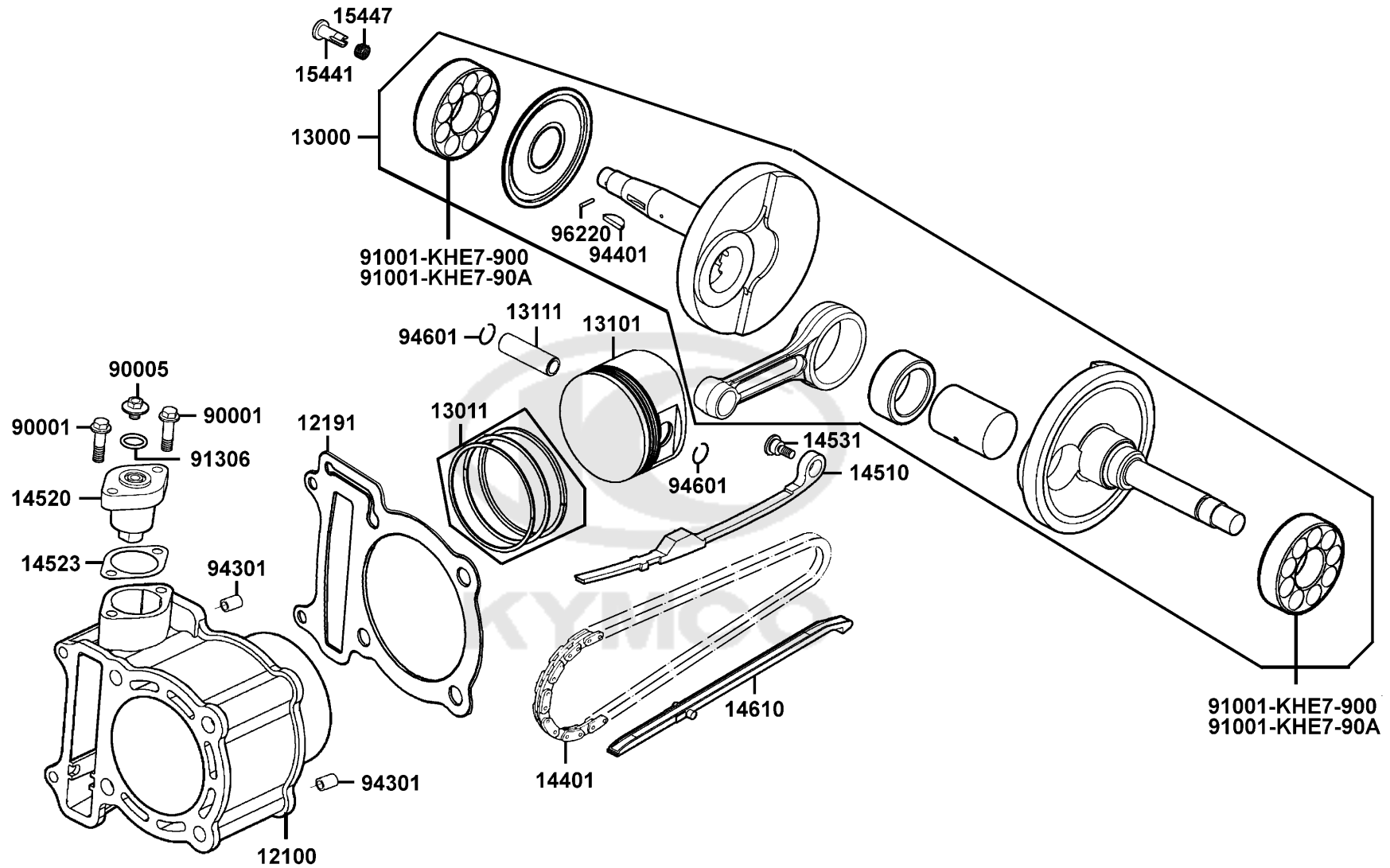


Sales mark	Ref no	Part no	Description	Reg description	Regd no	<b>E02</b>
	95701-06025-08	95701-06025-08	BOLT FLANGE 6*25	BOLT FLANGE 6*25	3	
	95701-06028	95701-06028-08	BOLT FLANGE 86*28	BOLT FLANGE 86*28	1	
	95701-06040	95701-06040-08	BOLT FLANGE 6*40	BOLT FLANGE 6*40	2	
	96001-06018	96001-06018-08	BOLT FLANGE SH 6*18	BOLT FLANGE SH 6*18	1	
	96001-06110	96001-06110-08	BOLT FLANGE SH 6*110	BOLT FLANGE SH 6*110	2	
	98069	98069-5691R-00	SPARK PLUG DPR(7EA-9)	SPARK PLUG DPR(7EA-9)	1	



E03

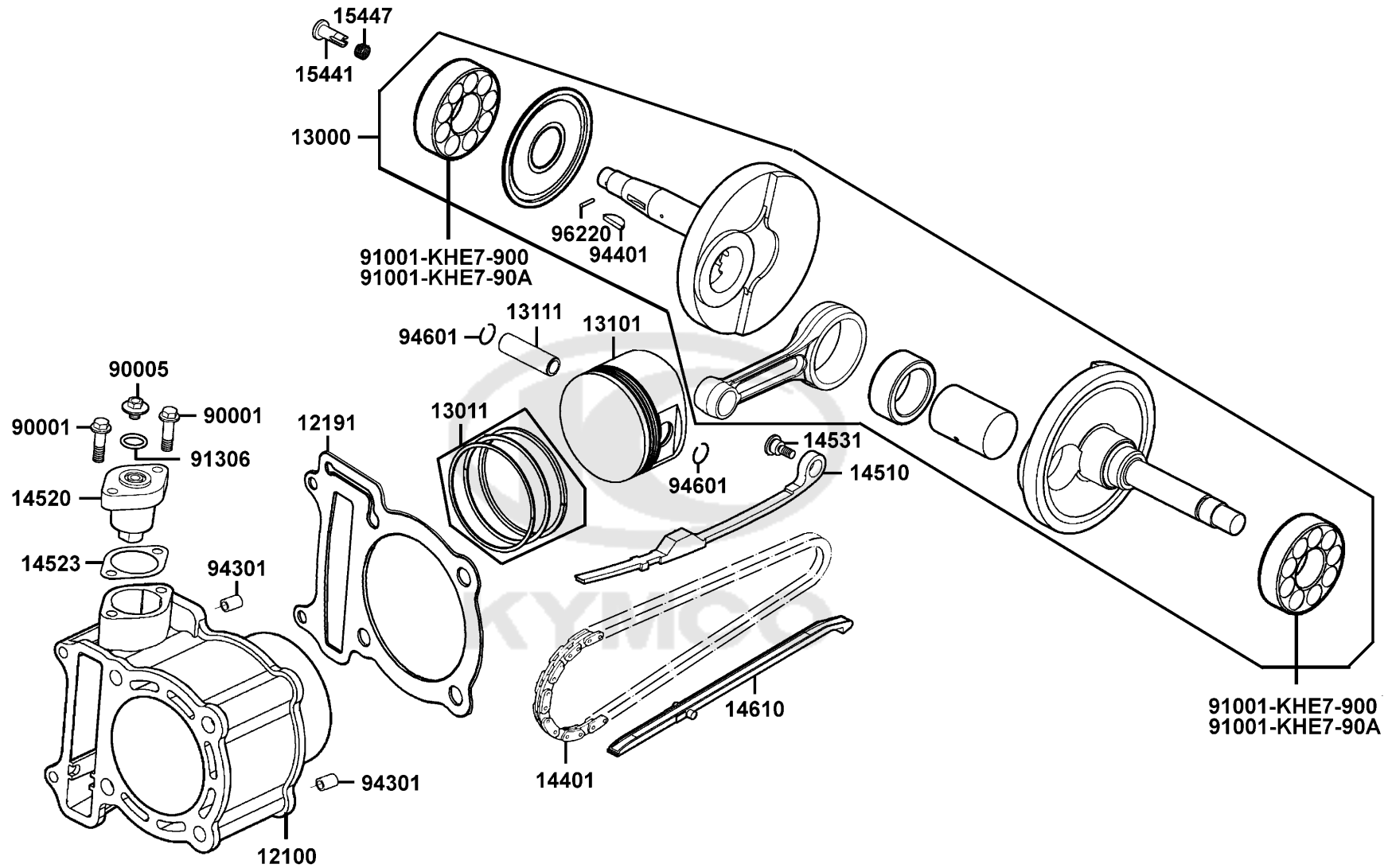
# Cylinder Piston Crankshaft



Sales mark	Ref no	Part no	Description	Reg description	Regd no	E03
	12100	12100-LDE9-E00	CYLINDER COMP	CYLINDER COMP	1	
	12191	12191-KHE7-910	GASKET CYLINDER	GASKET CYLINDER	1	
	13000	13000-LFG2-E00	CRANK SHAFT COMP	CRANK SHAFT COMP	1	
	13011	13011-LFG2-E0B	RING SET PISTON	RING SET PISTON	1	
	13101	13101-LFG2-E00	PISTON	PISTON	1	
	13111	13111-LDB2-E00	PIN PISTON	PIN PISTON	1	
	14401	14401-LDE9-E00	CHAIN CAM	CHAIN CAM	1	
	14510	14510-LDE9-E00	TENSIONER CAM CHAIN	TENSIONER CAM CHAIN	1	
	14520	14520-GFY6-90A	LIFTER ASSY TENSIONER	LIFTER ASSY TENSIONER	1	
	14523	14523-KED9-900	GASKET TENSIONER LIFTER	GASKET TENSIONER LIFTER	1	
	14531	14531-KHE7-900	PIVOT CAM CHAIN TENSIONER	PIVOT CAM CHAIN TENSIONER	1	
	14610	14610-LDE9-E00	GUIDE COMP CAM CHAIN	GUIDE COMP CAM CHAIN	1	
	15441	15441-1K49-001	OIL THROUGH	OIL THROUGH	1	
	15447	15447-1K49-001	SPG OIL THROUGH	SPG OIL THROUGH	1	
	90001	90001-GBHB-661	BOLT FLANGE SH 6*22	BOLT FLANGE SH 6*22	2	
	90005	90005-KEC8-900	BOLT SPECIAL 6*6	BOLT SPECIAL 6*6	1	
	91001-KHE7-900	91001-KHE7-900	BRG BALL RADIAL TMB307JR2CS19	BRG BALL RADIAL TMB307JR2CS19	2	
	91001-KHE7-90A	91001-KHE7-90A	BRG BALL RADIAL TMB307JR2CS19	BRG BALL RADIAL TMB307JR2CS19	2	
	91306	91306-1E05-691	O-RING 1.5*9.5	O-RING 1.5*9.5	1	
	94301	94301-10160	DOWEL PIN 10*16	DOWEL PIN 10*16	2	

E03

# Cylinder Piston Crankshaft



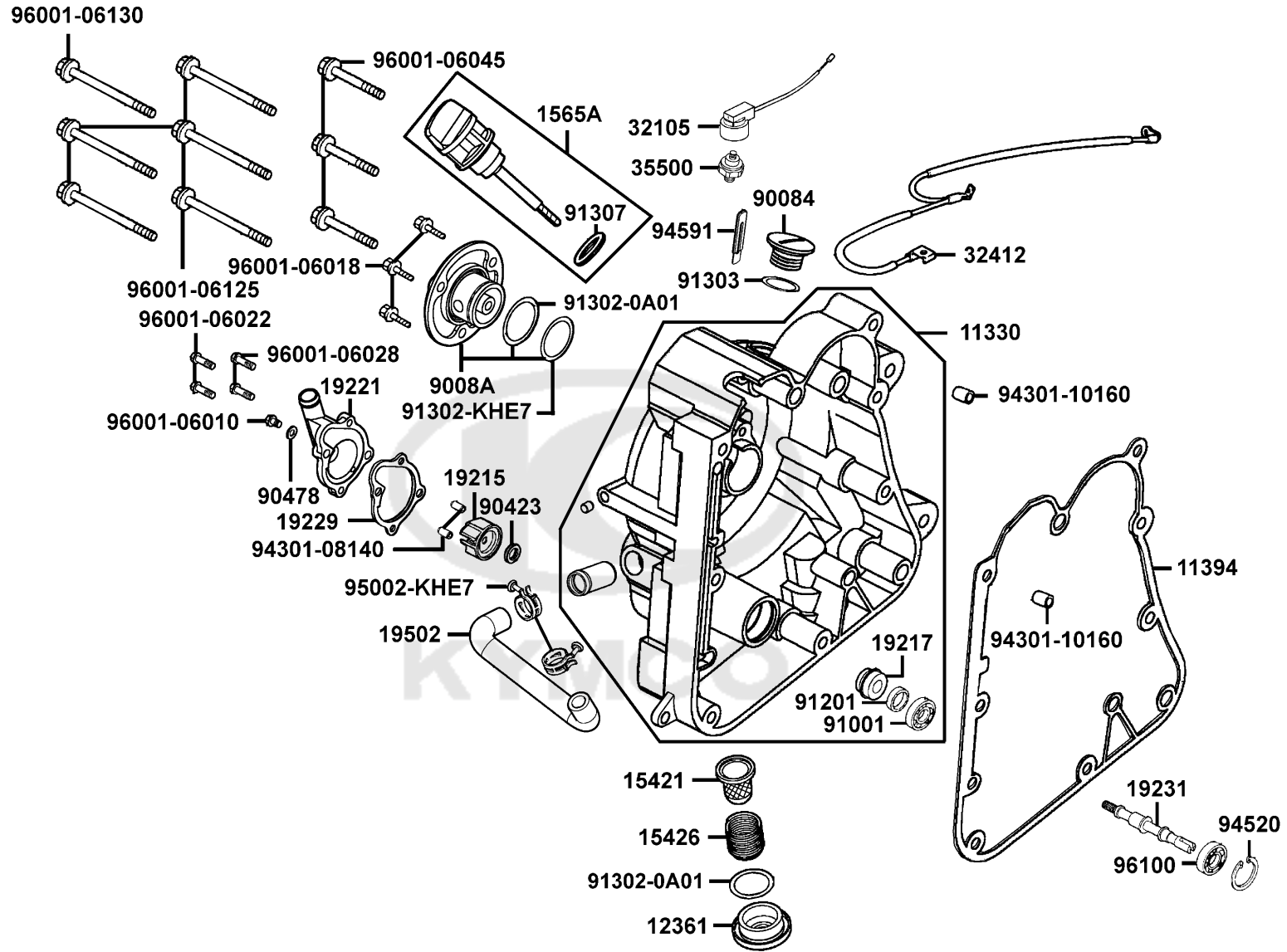
Sales mark	Ref no	Part no	Description	Reg description	Regd no	<b>E03</b>
------------	--------	---------	-------------	-----------------	---------	------------

94401	94401-25140	94401-25140	WOODRUFF KET 25*14	WOODRUFF KET 25*14	1	
94601	94601-17000	94601-17000	CLIP PISTON PIN 17MM	CLIP PISTON PIN 17MM	2	
96220	96220-20118	96220-20118	ROLLER 2*11.8	ROLLER 2*11.8	1	



E04

# Right Crankcase Cover Water Pump

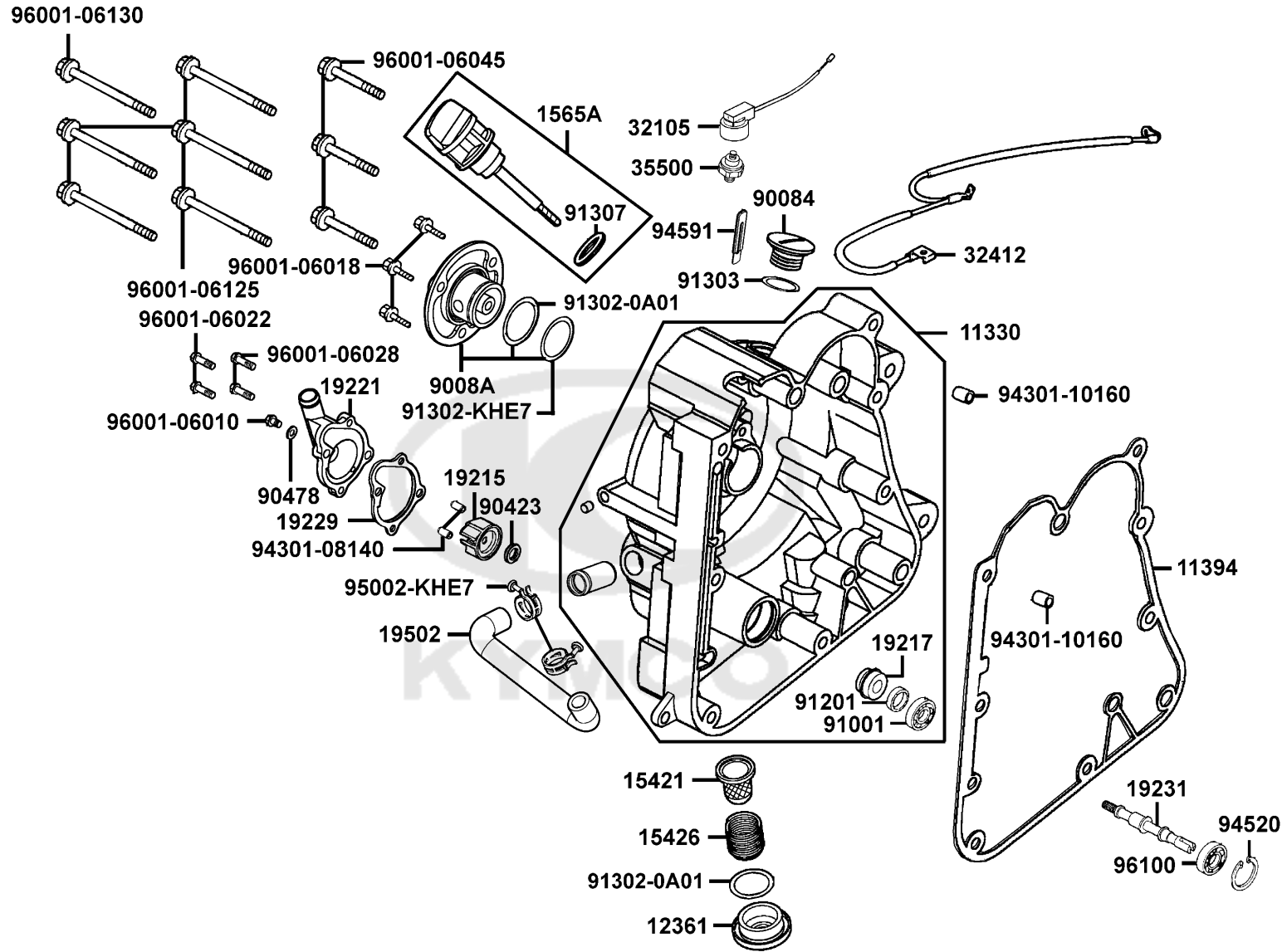




Sales mark	Ref no	Part no	Description	Reg description	Regd no	E04
**	11330	11330-LLJ3-E00	COVER COMP RIGHT	COVER COMP RIGHT	1	
	11394	11394-KHE7-900	GASKET R COVER @ A	GASKET R COVER @ A	1	
	11394	11394-KHE7-980	GASKET,R COVER @A	GASKET,R COVER @A	1	
**	12361	12361-LEA5-E00	HOLE CAP TAPPET ADJUSTING	HOLE CAP TAPPET ADJUSTING	1	
	15421	15421-1G07-001	SCREEN OIL FILTER	SCREEN OIL FILTER	1	
	15426	15426-GAE1-921	SPG OIL FILTER SCREEN	SPG OIL FILTER SCREEN	1	
	1565A	1565A-KEBE-900	GAUGE OIL LEVEL ASSY	GAUGE OIL LEVEL ASSY	1	
	19215	19215-KHE7-900	IMPELLER WATER PUMP	IMPELLER WATER PUMP	1	
	19217	19217-6G57-024	SEAL MECHANICAL	SEAL MECHANICAL	1	
**	19221	19221-KHE7-900	COVER WATER PUMP	COVER WATER PUMP	1	
	19229	19229-KHE7-900	GASKET WATER PUMP	GASKET WATER PUMP	1	
	19231	19231-KKJ9-011	SHAFT WATER PUMP	SHAFT WATER PUMP	1	
	19502	19502-KHE7-900	HOSE B WATER	HOSE B WATER	1	
	32105	32105-LLJ3-E00	SUB HARNESS	SUB HARNESS	1	
	32412	32412-LDB2-E00	CABLE EARTH	CABLE EARTH	1	
	35500	35500-KED9-900	SW ASSY OIL PRESSURE	SW ASSY OIL PRESSURE	1	
**	90084	90084-LEA5-001	CAP A.C.G	CAP A.C.G	1	
	9008A	9008A-KHE7-900	CAP ASSY R COVER	CAP ASSY R COVER	1	
	90423	90423-KKJ9-001	WASHER 7.2*13*1.2	WASHER 7.2*13*1.2	1	
	90478	90478-7L00-001	WASHER A 6MM	WASHER A 6MM	1	

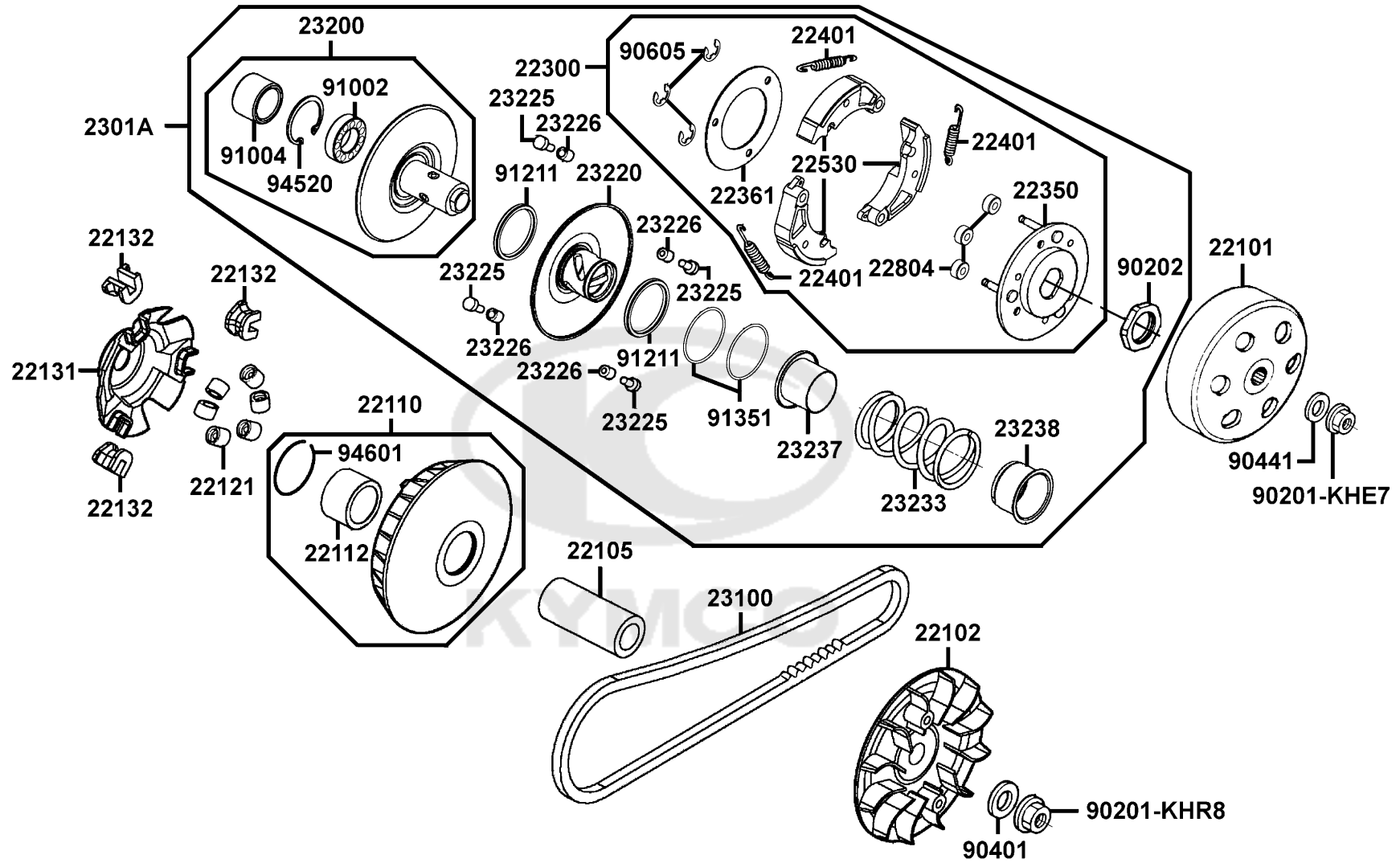
E04

# Right Crankcase Cover Water Pump



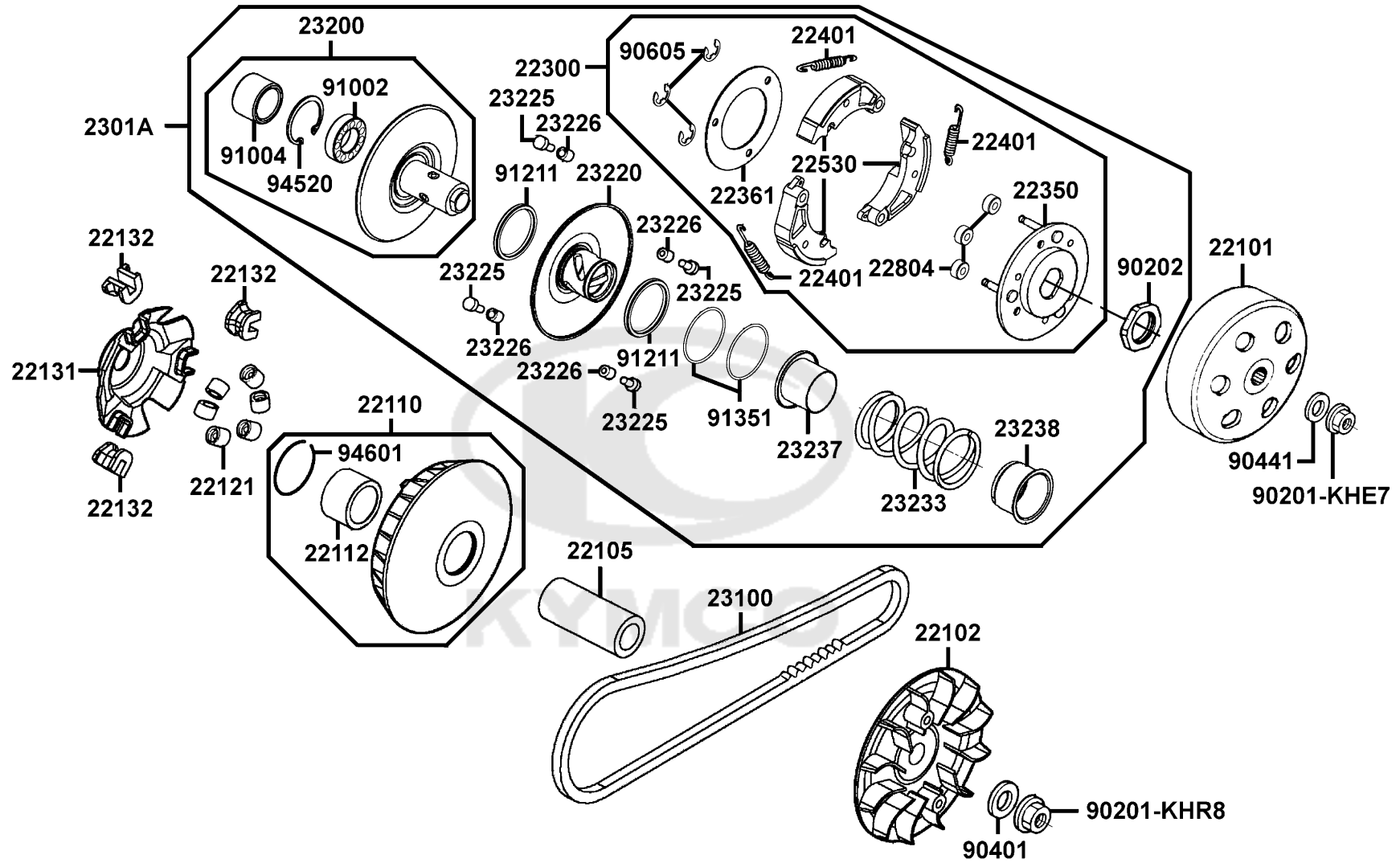
Sales mark	Ref no	Part no	Description	Reg description	Regd no	E04
	91001	91001-KKJ9-006	BRG BALL RADIAL 6901	BRG BALL RADIAL 6901	1	
	91201	91201-KKJ9-004	OIL SEAL 12*20*4	OIL SEAL 12*20*4	1	
	91302-0A01	91302-0A01-021	O-RING 30.8MM	O-RING 30.8MM	1	
	91302-KHE7	91302-KHE7-900	O RING 27.4*2.1	O RING 27.4*2.1	1	
	91303	91303-3G77-001	O-RING 13.8*2.5	O-RING 13.8*2.5	1	
	91307	91307-0E35-001	O RING 18*3	O RING 18*3	1	
	94301-08140	94301-08140	PIN A DOWEL 8*14	PIN A DOWEL 8*14	2	
	94301-10160	94301-10160	DOWEL PIN 10*16	DOWEL PIN 10*16	2	
	94520	94520-26000	CIR CLIP INTERAL 26MM	CIR CLIP INTERAL 26MM	1	
	94591	94591-KFBF-900	CLIP 2*70	CLIP 2*70	1	
	95002-KHE7	95002-KHE7-900	CLIP WATER HOSE	CLIP WATER HOSE	2	
	96001-06010	96001-06010-00	BOLT FLANGE SH 6X10	BOLT FLANGE SH 6X10	1	
	96001-06018	96001-06018-02	BOLT FLANGE 6X18	BOLT FLANGE 6X18	3	
	96001-06022	96001-06022-08	BOLT FLANGE SH 6*22	BOLT FLANGE SH 6*22	2	
	96001-06028	96001-06028-08	BOLT FLANGE SH 6*28	BOLT FLANGE SH 6*28	2	
	96001-06045	96001-06045-08	BOLT FLANGE SH 6*45	BOLT FLANGE SH 6*45	3	
	96001-06125	96001-06125-08	BOLT FLANGE 6*125	BOLT FLANGE 6*125	5	
	96001-06130	96001-06130-08	BOLT FLANGE SH 6*130	BOLT FLANGE SH 6*130	1	
	96100	96100-60000-00	BEARING RADIAL BALL 600	BEARING RADIAL BALL 600	1	

Transmission Pulley



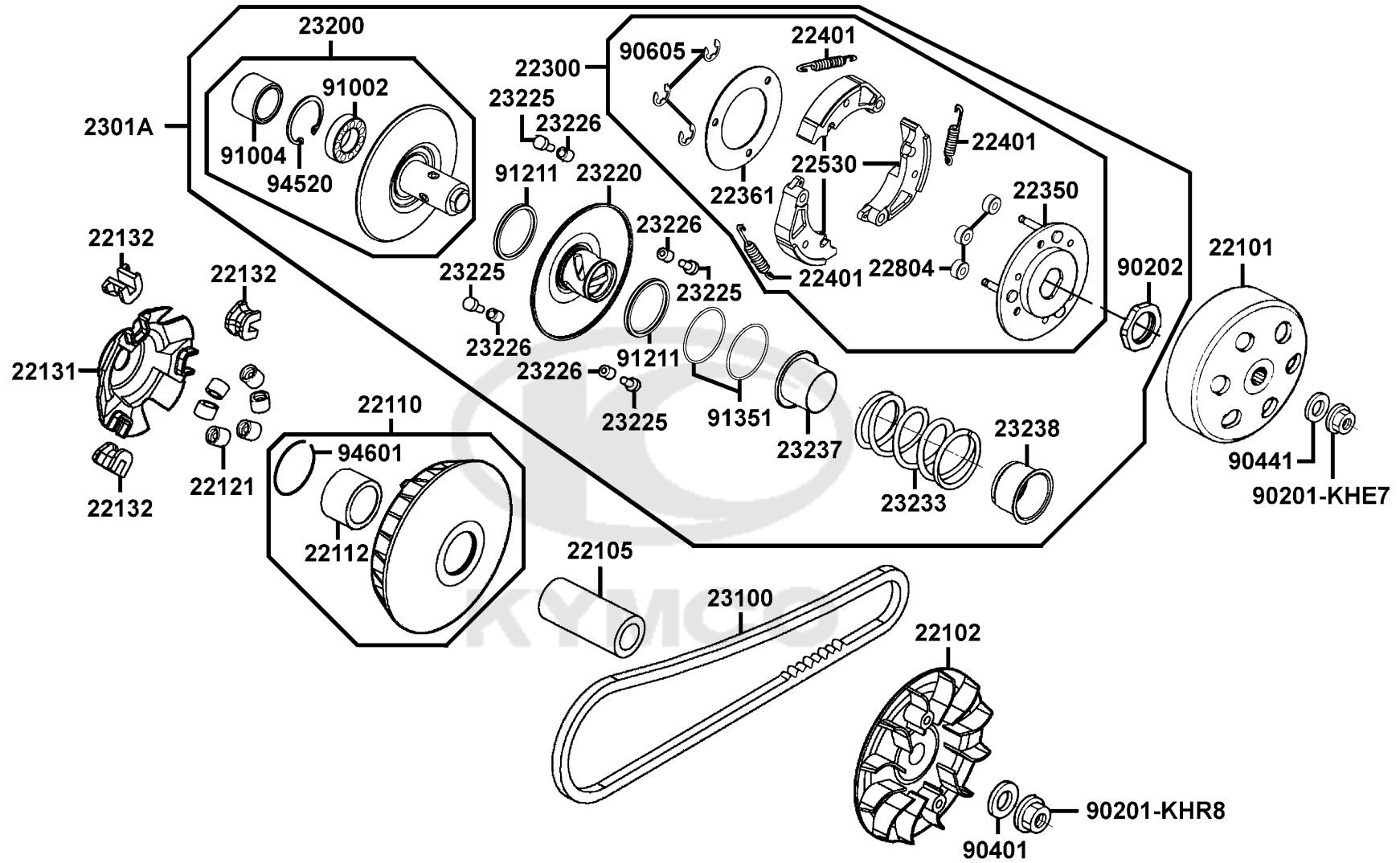
Sales mark	Ref no	Part no	Description	Reg description	Regd no	<b>E05</b>
22101		22101-KHE7-900	OUTER CLUTCH	OUTER CLUTCH	1	
22102		22102-KHE7-900	FACE DRIVE	FACE DRIVE	1	
22105		22105-LBA7-900	BOSS DRIVE FACE	BOSS DRIVE FACE	1	
22110		22110-LFG1-E00	FACE COMP MOVABLE DRIVE	FACE COMP MOVABLE DRIVE	1	
22112		22112-KHE7-900	BUSH 27*33*37	BUSH 27*33*37	1	
22121		22121-LFG2-E00	ROLLER COMP WEIGHT	ROLLER COMP WEIGHT	6	
22131		22131-LBA7-900	PLATE RAMP	PLATE RAMP	1	
22132		22132-KHE7-900	PIECE SLIDE	PIECE SLIDE	3	
22300		22300-KHE7-900	PLATE ASSY DRIVE	PLATE ASSY DRIVE	1	
22300		22300-LFG2-E0A	PLATE ASSY DRIVE	PLATE ASSY DRIVE	1	
22300		22300-LFG2-E80	PLATE ASSY DRIVE	PLATE ASSY DRIVE	1	
22350		22350-KHE7-900	PLATE COMP DRIVE	PLATE COMP DRIVE	1	
22361		22361-LEA7-E00	PLATE CLUTCH SIDE	PLATE CLUTCH SIDE	1	
22401		22401-KHE7-900	SPRING CLUTCH	SPRING CLUTCH	1	
22401		22401-LFG2-E80	SPRING CLUTCH	SPRING CLUTCH	1	
22530		22530-KHE7-900	WEIGHT CLUTCH	WEIGHT CLUTCH	1	
22530		22530-LFG2-E0A	WEIGHT CLUTCH	WEIGHT CLUTCH	3	
22530		22530-LFG2-E80	WEIGHT CLUTCH	WEIGHT CLUTCH	1	
22804		22804-GBB2-001	RUBBER CLUTCH DUMRER	RUBBER CLUTCH DUMRER	3	
2301A		2301A-LFG2-E00	PULLEY SUB ASSY	PULLEY SUB ASSY	1	

Transmission Pulley



Sales mark	Ref no	Part no	Description	Reg description	Regd no	E05
2301A		2301A-LFG2-E0A	PULLEY SUB ASSY	PULLEY SUB ASSY	1	
2301A		2301A-LFG2-E80	PULLEY SUB ASSY	PULLEY SUB ASSY	1	
23100		23100-LFG2-E00	BELT DRIVE	BELT DRIVE	1	
23200		23200-KHE7-900	FACE ASSY DRIVEN	FACE ASSY DRIVEN	1	
23220		23220-KHE7-900	FACE COMP MOVABLE DRIVEN	FACE COMP MOVABLE DRIVEN	1	
23220		23220-LFG2-E00	FACE RR MOVABLE DRIVEN	FACE RR MOVABLE DRIVEN	1	
23225		23225-KHE7-900	PIN ROLLER GUIDE	PIN ROLLER GUIDE	4	
23226		23226-GHC8-004	ROLLER GUIDE	ROLLER GUIDE	4	
23233		23233-KHE7-900	SPG DRIVEN FACE	SPG DRIVEN FACE	1	
23237		23237-KHE7-900	COLLAR SEAL	COLLAR SEAL	1	
23238		23238-KHE7-900	COLLAR SPG	COLLAR SPG	1	
90201-KHE7		90201-KHE7-900	NUT C FLANGE M12	NUT C FLANGE M12	1	
90201-KHR8		90201-KHR8-75A	NUT FLANGE 14MM	NUT FLANGE 14MM	1	
90202		90202-1G87-001	NUT SPECIAL 28MM	NUT SPECIAL 28MM	1	
90401		90401-KKJ9-001	WASHER THRUST 14*28*2	WASHER THRUST 14*28*2	1	
90441		90441-GFY6-941	WASHER 12. 2*29*2.5	WASHER 12. 2*29*2.5	1	
90605		90605-1F66-721	CIR CLIP 7MM	CIR CLIP 7MM	3	
91002		91002-GGA7-70A	BRG BALL RADIAL 6902U 15*28*7	BRG BALL RADIAL 6902U 15*28*7	1	
91004		91004-KHE7-900	BRG NDL 22*29*18	BRG NDL 22*29*18	1	
91211		91211-KHE7-900	SEAL DRIVEN FACE	SEAL DRIVEN FACE	2	

# Transmission Pulley

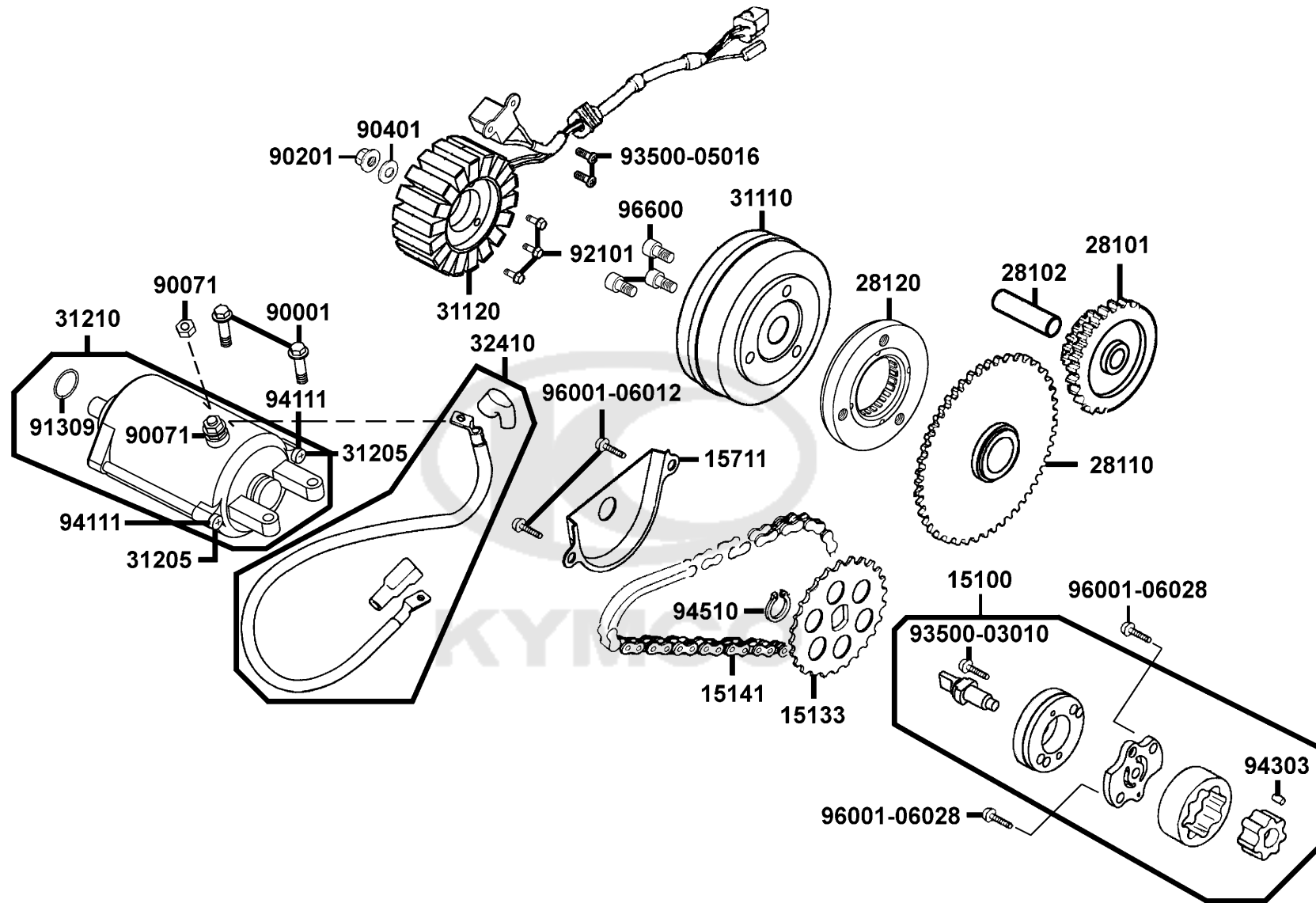




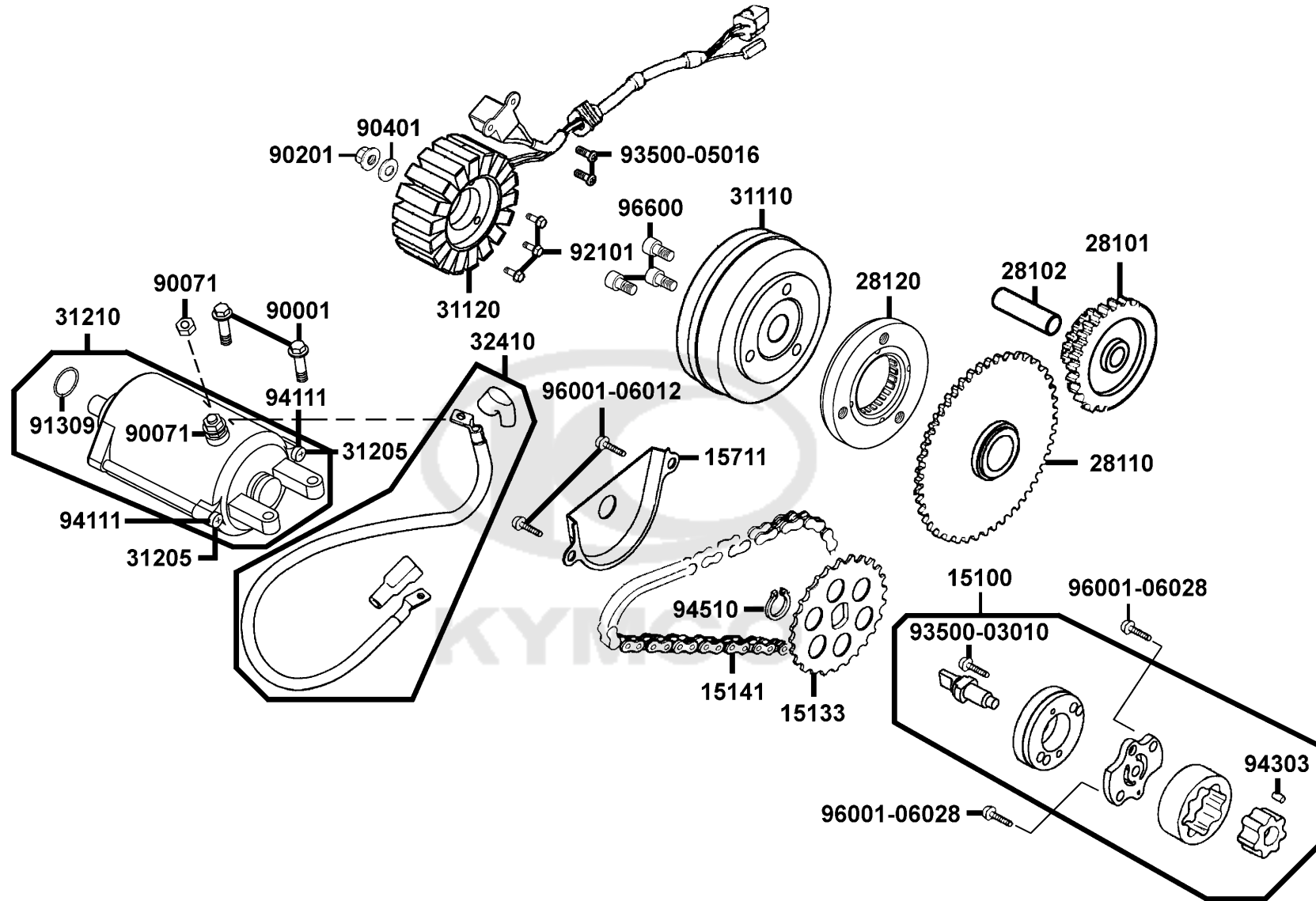
Sales mark	Ref no	Part no	Description	Reg description	Regd no	<b>E05</b>
------------	--------	---------	-------------	-----------------	---------	------------


91351		91351-KHE7-900	O-RING PINION CAP	O-RING PINION CAP	2	
94520		94520-28000	CIR CLIP IN 28MM	CIR CLIP IN 28MM	1	
94601		94601-33000	CLIP PISTON PIN 33MM	CLIP PISTON PIN 33MM	1	

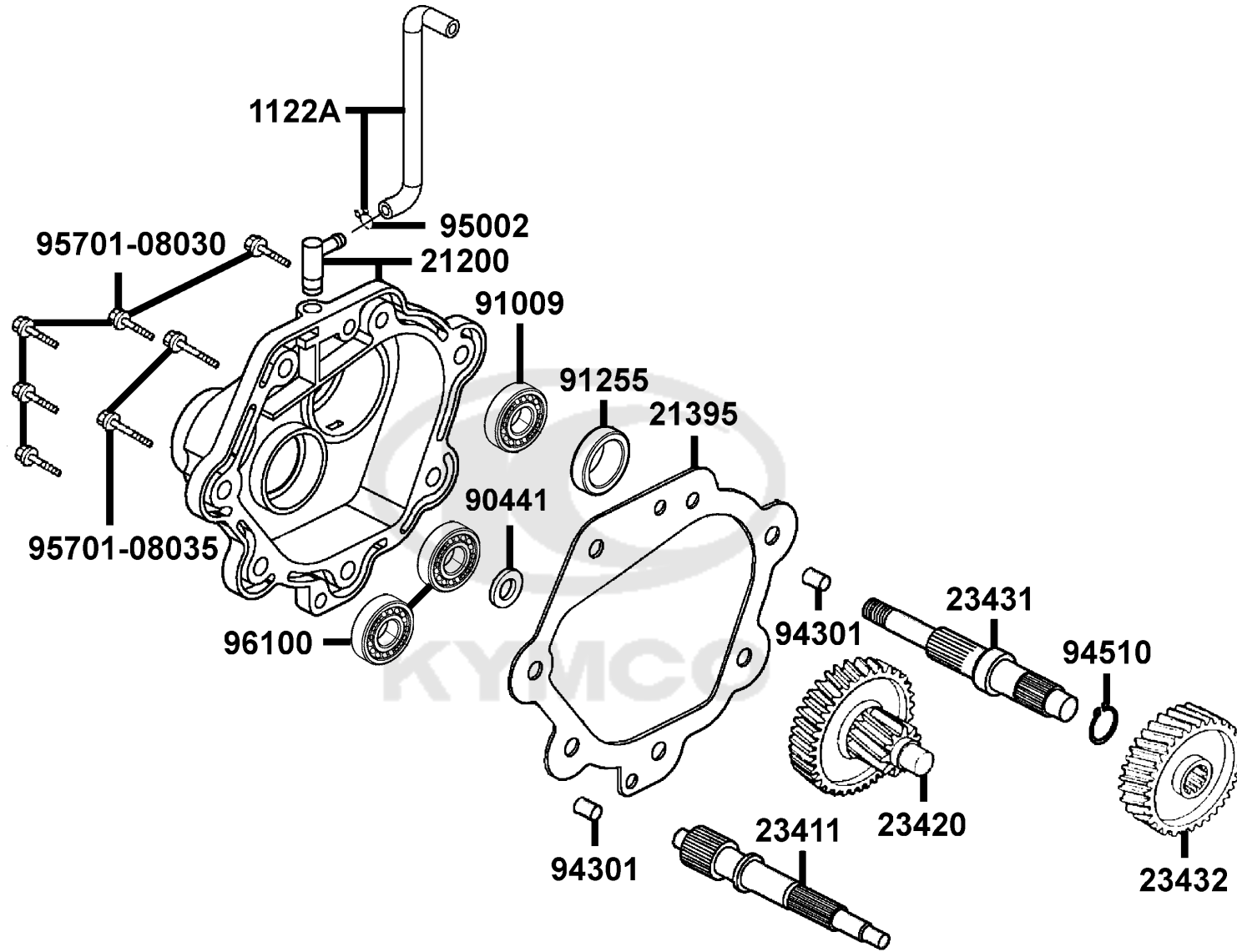




Sales mark	Ref no	Part no	Description	Reg description	Regd no	E06
	15100	15100-KKC3-900	PUMP ASSY OIL	PUMP ASSY OIL	1	
	15133	15133-KAM1-001	SPRKT OIL PUMP DRIVEN	SPRKT OIL PUMP DRIVEN	1	
	15141	15141-KKJ9-004	CHAIN OIL PUMP	CHAIN OIL PUMP	1	
	15711	15711-KHE7-900	SEPARATER OIL	SEPARATER OIL	1	
	28101	28101-KHE7-900	GEAR STARTER REDUCTION	GEAR STARTER REDUCTION	1	
	28102	28102-KHE7-900	SHAFT STARTER REDUCTION	SHAFT STARTER REDUCTION	1	
	28110	28110-LDB2-E00	GEAR COMP STARTING CLUTCH	GEAR COMP STARTING CLUTCH	1	
	28120	28120-LDB2-E00	ONE WAY CLUTCH	ONE WAY CLUTCH	1	
	31110	31110-LDF2-90A	FLYWHEEL COMP /D406	FLYWHEEL COMP /D406	1	
	31120	31120-LDF2-90A	STATOR COMP /D406	STATOR COMP /D406	1	
	31205	31205-KKJ9-000	BOLT SET	BOLT SET	2	
	31210	31210-KHE7-90A	MOTOR UNIT STARTER	MOTOR UNIT STARTER	1	
	32410	32410-LDB2-E00	CABLE STARTER MOTOR	CABLE STARTER MOTOR	1	
	90001	90001-GBHB-661	BOLT FLANGE SH 6*22	BOLT FLANGE SH 6*22	2	
	90071	90071-MLB0-001	NUT WASH 6MM	NUT WASH 6MM	2	
	90201	90201-KHR8-75A	NUT FLANGE 14MM	NUT FLANGE 14MM	1	
	90401	90401-KKJ9-001	WASHER THRUST 14*28*2	WASHER THRUST 14*28*2	1	
	91309	91309-4E25-004	O-RING 24.4*3.1	O-RING 24.4*3.1	1	
	92101	92101-05032-0H	BOLT HEX 5*32	BOLT HEX 5*32	3	
	93500-03010	93500-03010-1A	SCREW PAN 3*12	SCREW PAN 3*12	1	



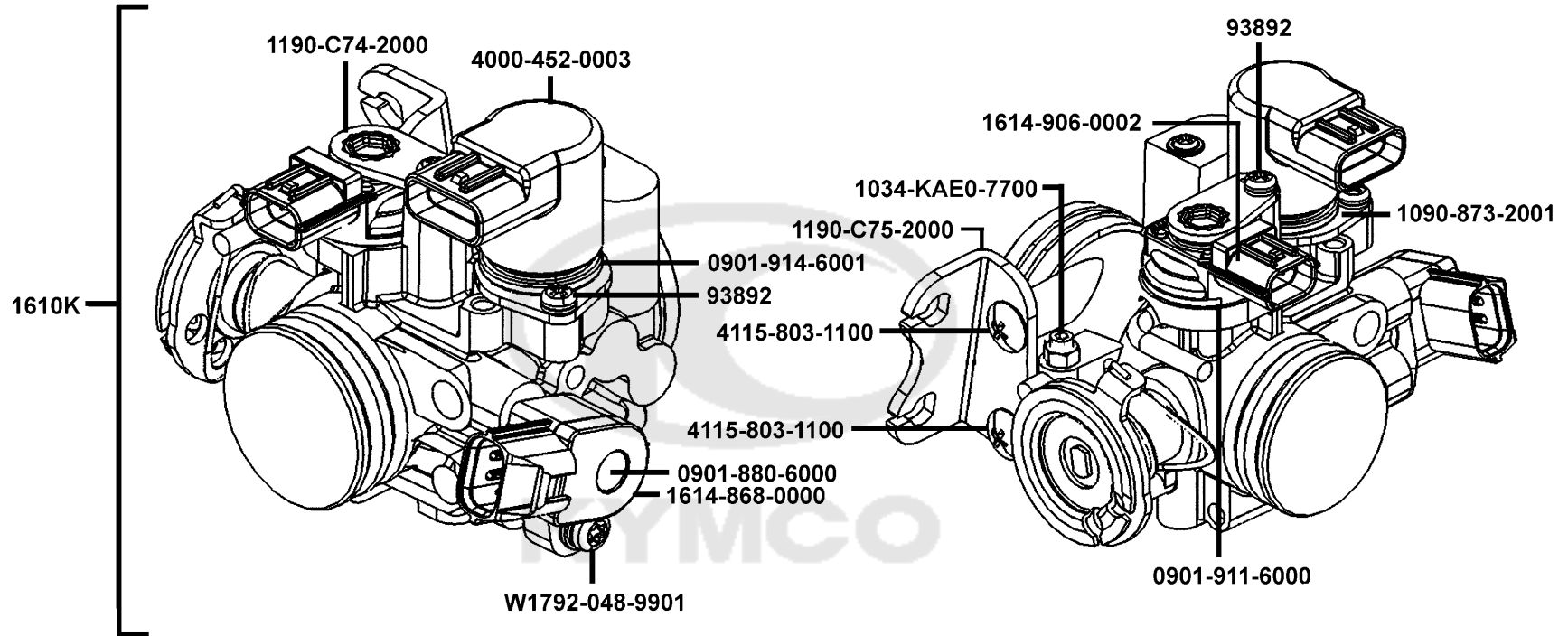
Sales mark	Ref no	Part no	Description	Reg description	Regd no	<b>E06</b>
	93500-05016	93500-05016-0H	SCREW PAN 5*16	SCREW PAN 5*16	2	
	94111	94111-05800	WASHER SPRING 5MM	WASHER SPRING 5MM	2	
	94303	94303-04065	PIN C DOWEL 4*6.5	PIN C DOWEL 4*6.5	1	
	94510	94510-10000	CIR EXTERNAL 10MM	CIR EXTERNAL 10MM	1	
	96001-06012	96001-06012-08	BOLT FLANGE SH 6*12	BOLT FLANGE SH 6*12	2	
	96001-06028	96001-06028-08	BOLT FLANGE SH 6*28	BOLT FLANGE SH 6*28	2	
	96600	96600-08015-10	BOLT SOCKET 8*15	BOLT SOCKET 8*15	3	
						



Sales mark	Ref no	Part no	Description	Reg description	Regd no	E07
	1122A	1122A-LDB2-E00	TUBE ASSY MISSION BREATHER	TUBE ASSY MISSION BREATHER	1	
	21200	21200-LDB2-E00	CASE COMP MISSION	CASE COMP MISSION	1	
	21395	21395-LDF2-900	GASKET MISSION COVER @ A	GASKET MISSION COVER @ A	1	
	23411	23411-KHE7-900	SHAFT DRIVE	SHAFT DRIVE	1	
	23420	23420-LDB2-E00	SHAFT COMP COUNTER	SHAFT COMP COUNTER	1	
	23420	23420-LFG2-E00	SHAFT COMP COUNTER	SHAFT COMP COUNTER	1	
	23431	23431-LDB2-E00	SHAFT FINAL	SHAFT FINAL	1	
	23432	23432-LDB2-E00	GEAR FINAL	GEAR FINAL	1	
	23432	23432-LFG2-E00	GEAR FINAL	GEAR FINAL	1	
	90441	90441-KKC4-800	WASHER PLAIN 15.5*23*0.5	WASHER PLAIN 15.5*23*0.5	1	
	91009	91009-KHE7-900	BRG BALL RADIAL 6205LLU	BRG BALL RADIAL 6205LLU	1	
	91255	91255-KHE7-900	OIL SEAL 34*52*7	OIL SEAL 34*52*7	1	
	94301	94301-10160	DOWEL PIN 10*16	DOWEL PIN 10*16	2	
	94510	94510-25000	CIR CLIP EX 25	CIR CLIP EX 25	1	
	95002	95002-02080	CLIP B8 CHAMBER TUBE	CLIP B8 CHAMBER TUBE	1	
	95701-08030	95701-08030-08	BOLT FLANGE 8*30	BOLT FLANGE 8*30	5	
	95701-08035	95701-08035-08	BOLT FLANGE 8*35	BOLT FLANGE 8*35	2	
	96100	96100-63020-00	BRG BALL RADIAL 6302	BRG BALL RADIAL 6302	2	

E08

# Throttle Body

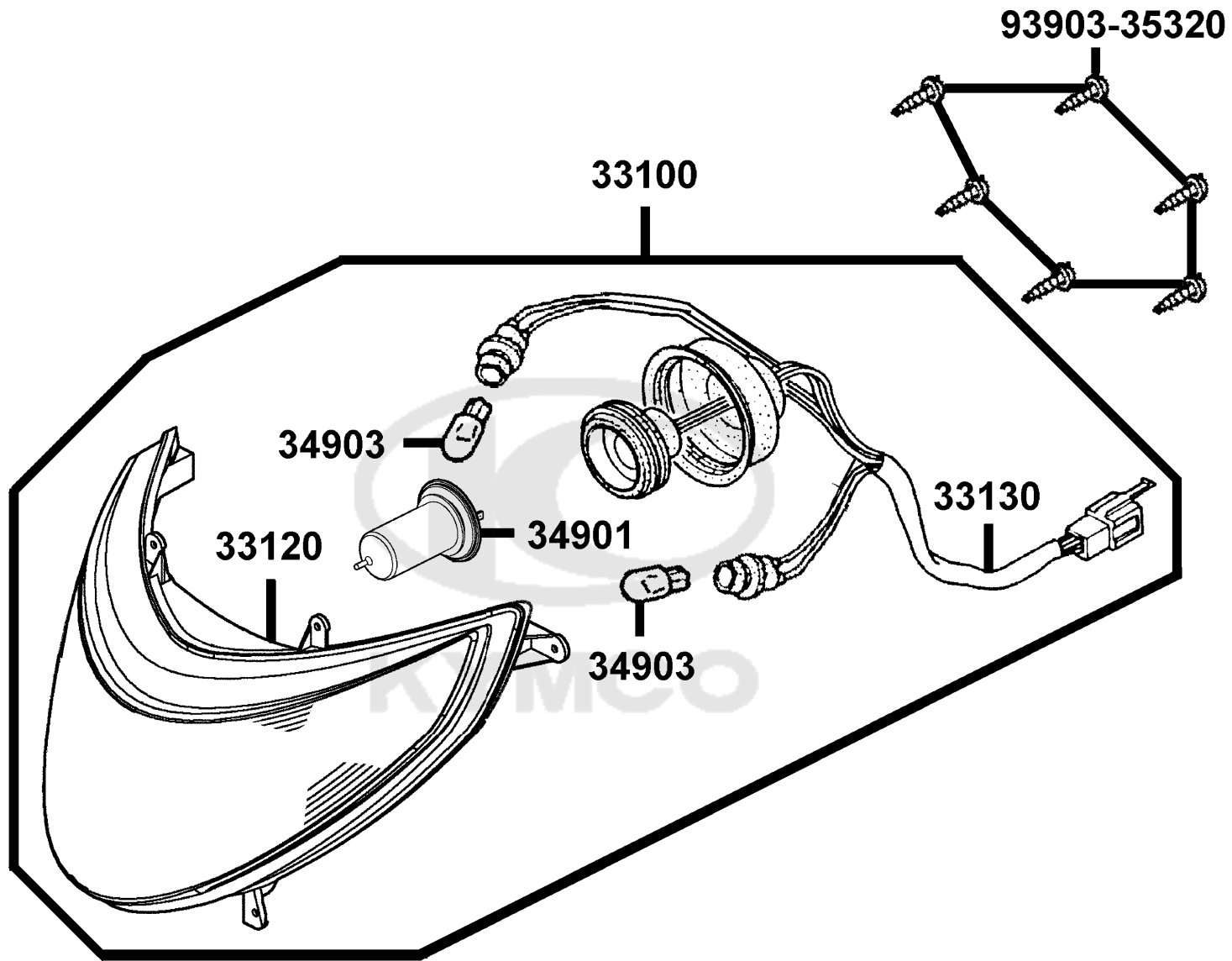




Sales mark	Ref no	Part no	Description	Reg description	Regd no	<b>E08</b>
	0901-880-6000	0901-880-6000	O-RING/TPS	O-RING/TPS	1	
	0901-911-6000	0901-911-6000	O-RING	O-RING	1	
	0901-914-6001	0901-914-6001	O-RING	O-RING	1	
	1034-KAE0-7700	1034-KAE0-7700	SCREW / THROTTLE	SCREW / THROTTLE	1	
	1090-873-2001	1090-873-2001	SET PLATE	SET PLATE	1	
	1190-C74-2000	1190-C74-2000	STAY PLATE	STAY PLATE	1	
	1190-C75-2000	1190-C75-2000	BRACKET / THROTTLE CABLE	BRACKET / THROTTLE CABLE	1	
	1610K	1610K-LDF2-E00	CARBURETOR ASSY	CARBURETOR ASSY	1	
	1614-868-0000	1614-868-0000	THROTTLE POSITION SENSER	THROTTLE POSITION SENSER	1	
	1614-906-0002	1614-906-0002	MAP SENSOR	MAP SENSOR	1	
	4000-452-0003	4000-452-0010	ISC VALVE	ISC VALVE	1	
	4115-803-1100	4115-803-1100-3	"SCREW ,PAN"	"SCREW ,PAN"	1	
	93892	93892-04008-18	SCREW WASHER 4*8	SCREW WASHER 4*8	1	
	W1792-048-9901	W1792-048-9901	SCREW TORX M5*0.8/TPS	SCREW TORX M5*0.8/TPS	1	

F01

Head Light

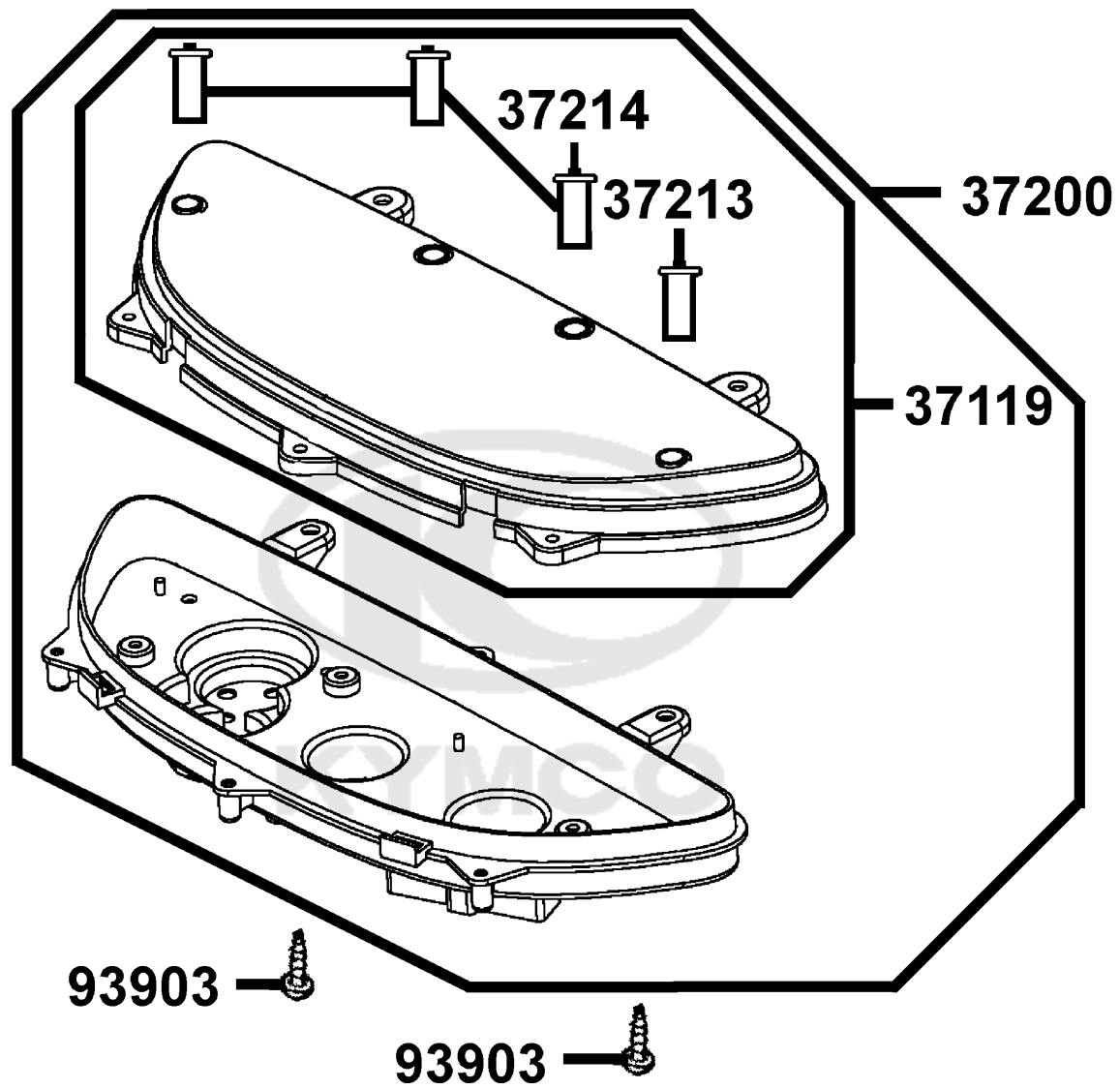


Sales mark	Ref no	Part no	Description	Reg description	Regd no	<b>F01</b>
	33100	33100-LDG7-E03	LIGHT ASSY HEAD	LIGHT ASSY HEAD	1	
	33120	33120-LDG7-E03	UNIT HEAD LIGHT	UNIT HEAD LIGHT	1	
	33130	33130-LBA2-E00	SOCKET COMP	SOCKET COMP	1	
	34901	34901-KED9-900	BULB HEAD LIGHT	BULB HEAD LIGHT	1	
	34903	34903-KPCP-900	BULB POSITION	BULB POSITION	2	
	93903-35320	93903-35320	SCREW TAPPING 5*16	SCREW TAPPING 5*16	6	



F02

Speedometer

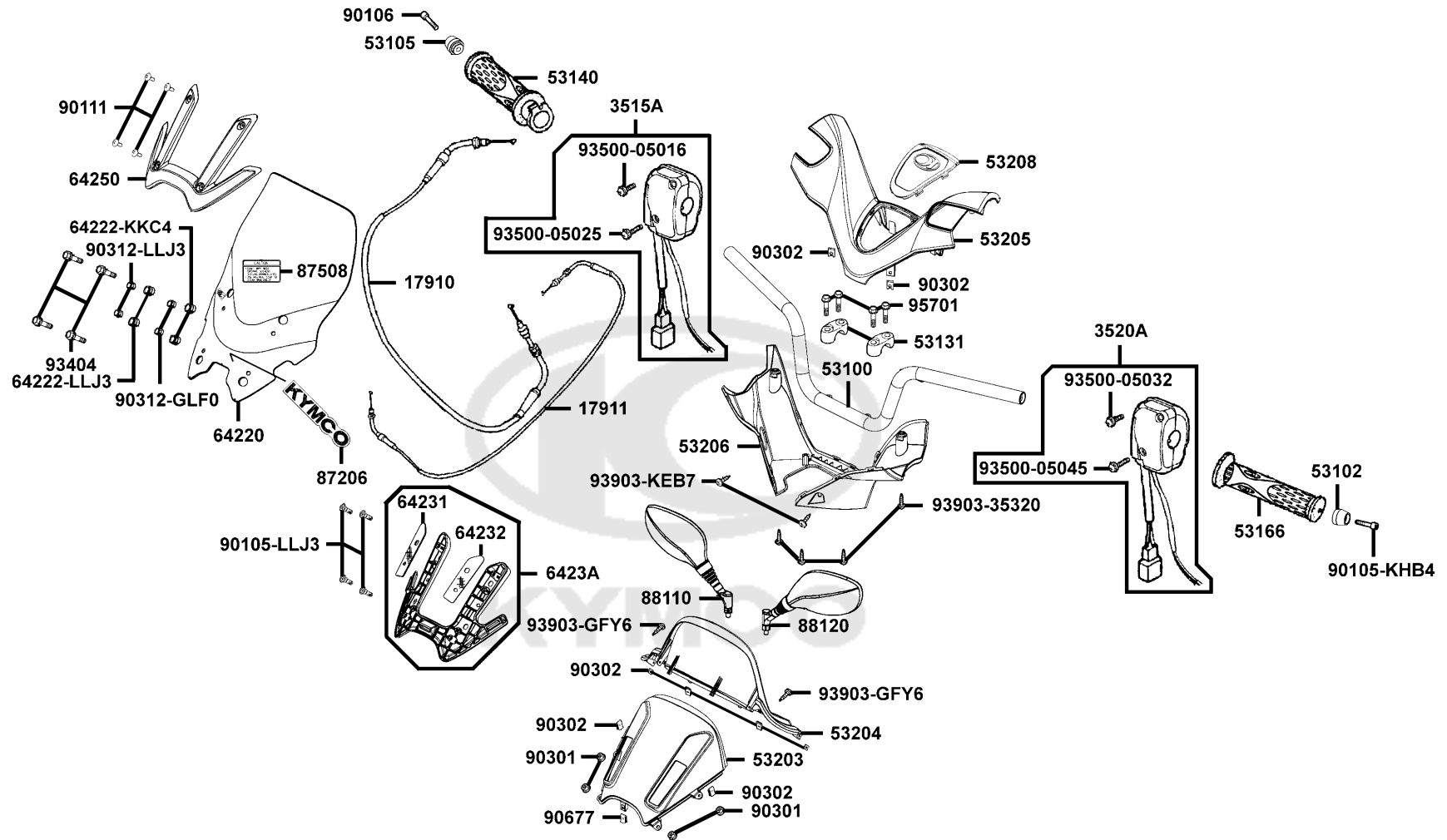


Sales mark	Ref no	Part no	Description	Reg description	Regd no	<b>F02</b>
	37119	37119-LBA2-E00	LENS	LENS	1	
	37200	37200-LDF2-90A	METER ASSY SPEED	METER ASSY SPEED	1	
	37213	37213-LBA2-E00	BUTTON A	BUTTON A	1	
	37214	37214-LBA2-E00	BUTTON B	BUTTON B	3	
	93903	93903-35320	SCREW TAPPING 5*16	SCREW TAPPING 5*16	2	



F03

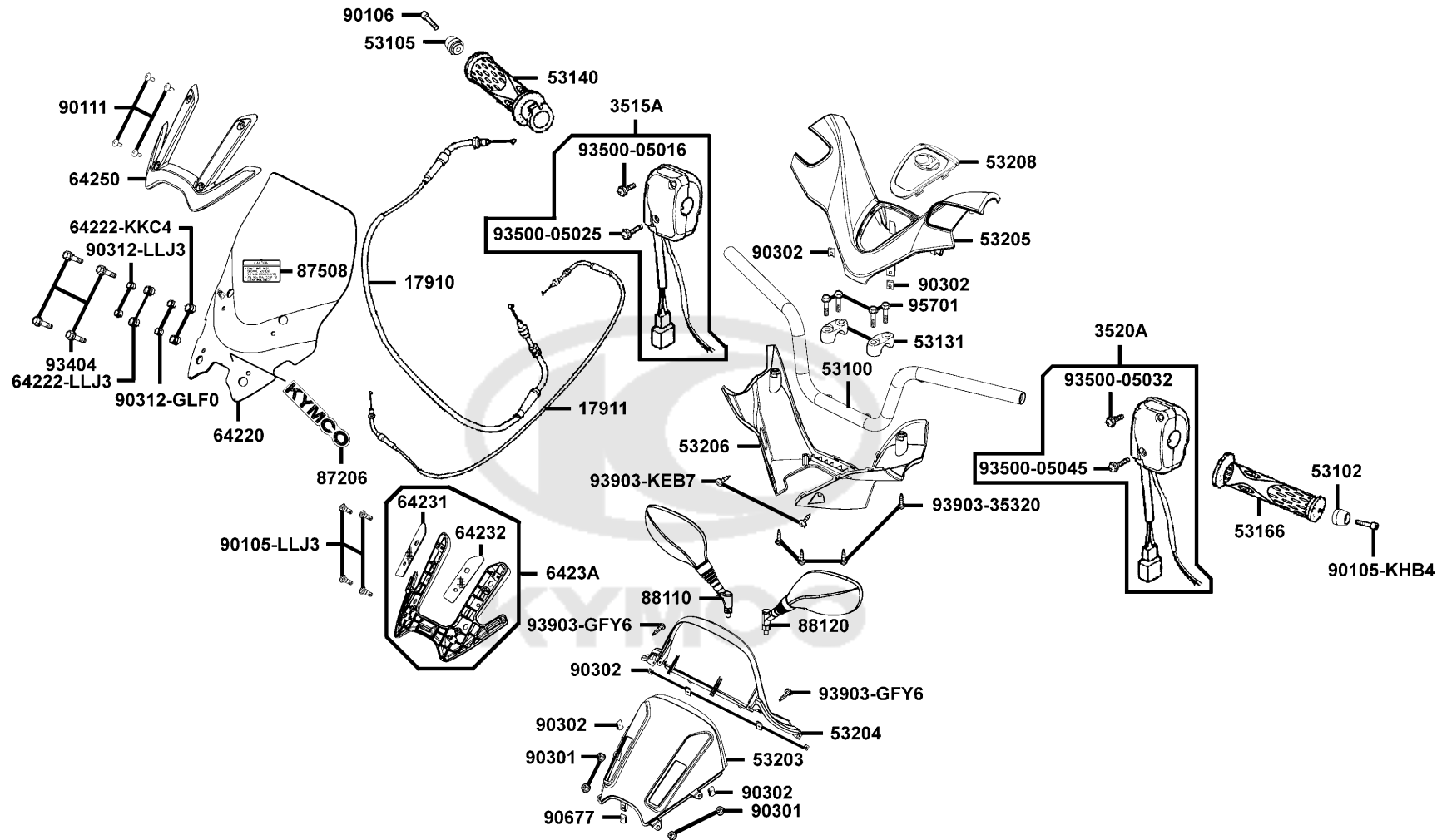
# Handle SteeringHandle Cover



Sales mark	Ref no	Part no	Description	Reg description	Regd no	F03
	17910	17910-LDF2-900	CABLE COMP THROT	CABLE COMP THROT	1	
	17911	17911-LDF2-900	CABLE B COMP THROT	CABLE B COMP THROT	1	
	3515A	3515A-LBA2-E01	SW ASSY RH HNDL COMP	SW ASSY RH HNDL COMP	1	
	3520A	3520A-KEBE-900	SW ASSY L HNDL COMP	SW ASSY L HNDL COMP	1	
	53100	53100-LBA2-E00	HANDLE COMP STRG	HANDLE COMP STRG	1	
**	53102	53102-LEA5-E00	END HANDLE	END HANDLE	1	
**	53105	53105-LEA5-E00	END R STRG HANDLE	END R STRG HANDLE	1	
	53131	53131-3H98-941	HOLDER HANDLE PIPE	HOLDER HANDLE PIPE	2	
**	53140	53140-KKC4-900	GRIP COMP THROT	GRIP COMP THROT	1	
**	53166	53166-KGB5-900	GRIP L HANDLE	GRIP L HANDLE	1	
**	53203	53203-LBA2-E00	COVER METER FR	COVER METER FR	1	
**	53204	53204-LBA2-E00	COVER METER RR	COVER METER RR	1	
**	53205	53205-LBA2-E02	COVER HNDL UP	COVER HNDL UP	1	
**	53206	53206-LBA2-E00	COVER R HANDLE LOW	COVER R HANDLE LOW	1	
	53208	53208-LBA2-E00	GRILL HANDLE UP	GRILL HANDLE UP	1	
	64220	64220-LBA2-E00	WIND SCREEN	WIND SCREEN	1	
	64222-KKC4	64222-KKC4-900	RUBBER WIND SCREEN	RUBBER WIND SCREEN	2	
	64222-LLJ3	64222-LLJ3-E00	RUBBER WIND SCREEN	RUBBER WIND SCREEN	2	
	64231	64231-LBA2-E00	SPONGE TAPE R HOLDER	SPONGE TAPE R HOLDER	1	
	64232	64232-LBA2-E00	SPONGE TAPE L HOLDER	SPONGE TAPE L HOLDER	1	

F03

# Handle SteeringHandle Cover

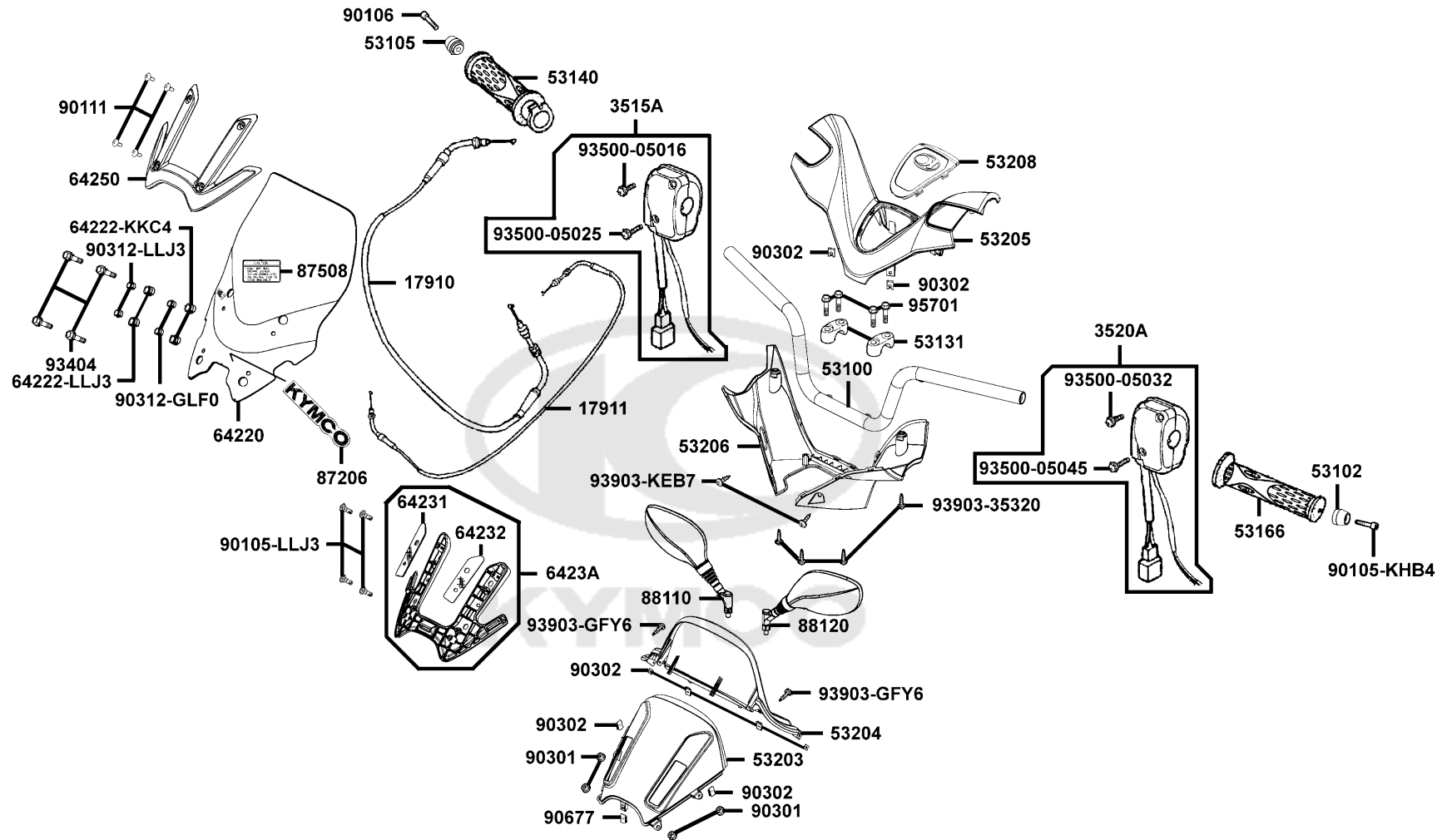




Sales mark	Ref no	Part no	Description	Reg description	Regd no	F03
**	6423A	6423A-LBA2-E00	HOLDER ASSY WIND SCREEN	HOLDER ASSY WIND SCREEN	1	
**	64250	64250-LBA2-E00	COVER WIND SCREEN	COVER WIND SCREEN	1	
**	87206	87206-LBA2-E00	EMB MARK KYMCO	EMB MARK KYMCO	1	
**	87508	87508-KKC4-E00	LABEL CLEANNESS CAUYION	LABEL CLEANNESS CAUYION	1	
**	88110	88110-LBA2-E02	MIRROR ASSY R BACK	MIRROR ASSY R BACK	1	
**	88120	88120-LBA2-E02	MIRROR ASSY L BACK	MIRROR ASSY L BACK	1	
	90105-KHB4	90105-KHB4-900	BOLT WASH M8*60	BOLT WASH M8*60	1	
	90105-LLJ3	90105-LLJ3-E00	BOLT SPECIAL 8MM	BOLT SPECIAL 8MM	4	
	90106	90106-KFC2-900	BOLT WASH 8MM	BOLT WASH 8MM	1	
	90111	90111-KED9-900	SCREW PAN 6*14	SCREW PAN 6*14	4	
	90301	90301-6D34-671	NUT FLANGE 6MM	NUT FLANGE 6MM	4	
	90302	90302-SDA4-004	NUT SPRING 4MM	NUT SPRING 4MM	8	
	90312-GLF0	90312-GLF0-001	COLLAR BODY COVER	COLLAR BODY COVER	4	
	90312-LLJ3	90312-LLJ3-E00	COLLARWINDSCREEN	COLLARWINDSCREEN	2	
	90677	90677-GAR1-004	NUT CLIP 5MM	NUT CLIP 5MM	1	
	93404	93404-06020-06	BOLT WASHER 6*20	BOLT WASHER 6*20	4	
	93500-05016	93500-05016-1B	SCREW PAN 5*16	SCREW PAN 5*16	1	
	93500-05025	93500-05025-1B	SCREW PAN 5*25	SCREW PAN 5*25	1	
	93500-05032	93500-05032-1B	SCREW PAN 5*32	SCREW PAN 5*32	1	
	93500-05045	93500-05045-1B	SCREW PAN 5*45	SCREW PAN 5*45	1	

F03

# Handle SteeringHandle Cover

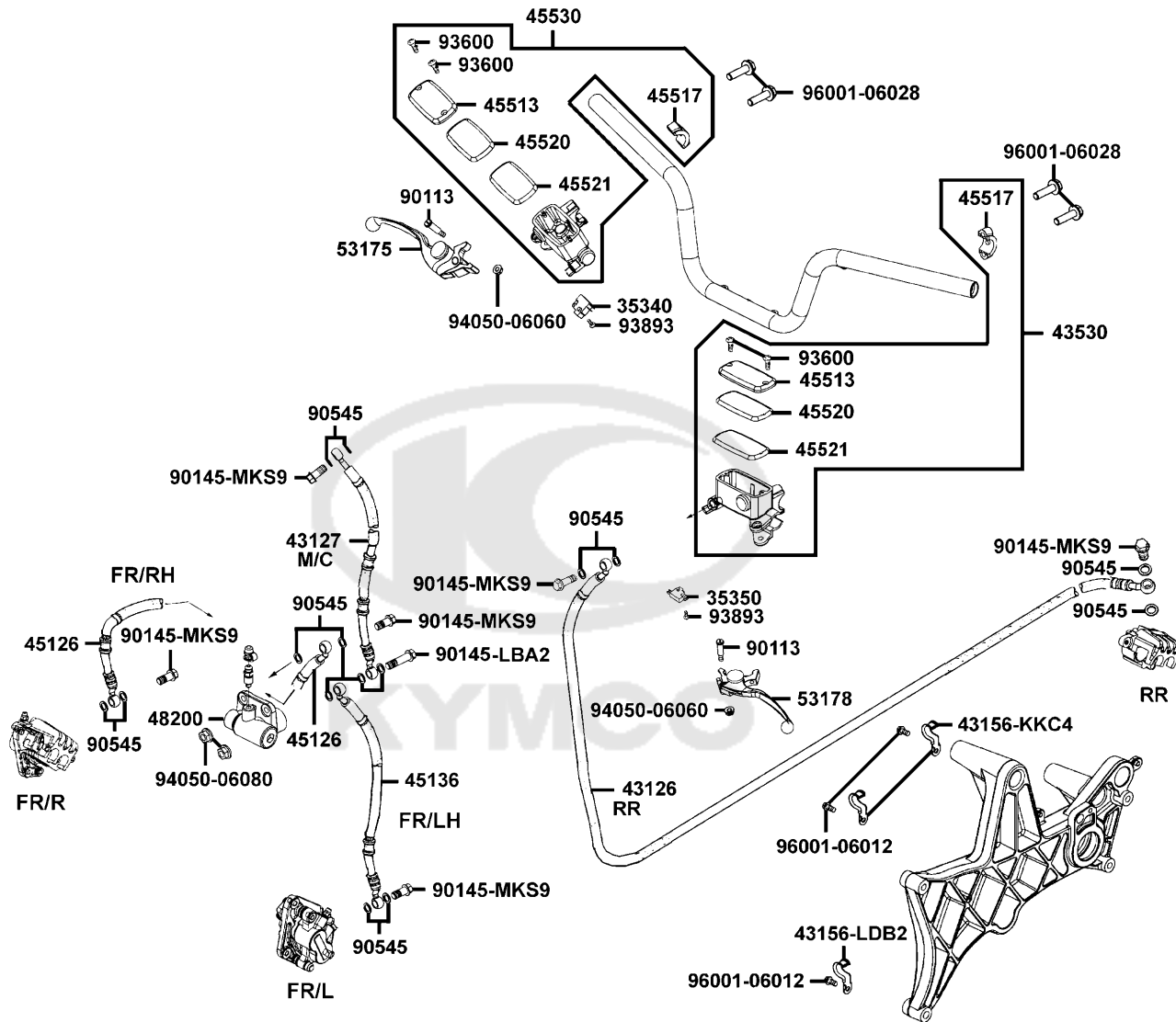


Sales mark	Ref no	Part no	Description	Reg description	Regd no	<b>F03</b>
------------	--------	---------	-------------	-----------------	---------	------------

	93903-35320	93903-35320	SCREW TAPPING 5*16	SCREW TAPPING 5*16	4	
	93903-GFY6	93903-GFY6-900	SCREW TAPP 4*14	SCREW TAPP 4*14	2	
	93903-KEB7	93903-KEB7-900-06	SCREW WASHER 4MM	SCREW WASHER 4MM	2	
	95701	95701-08035-06	BOLT FLANGE 8*35	BOLT FLANGE 8*35	4	

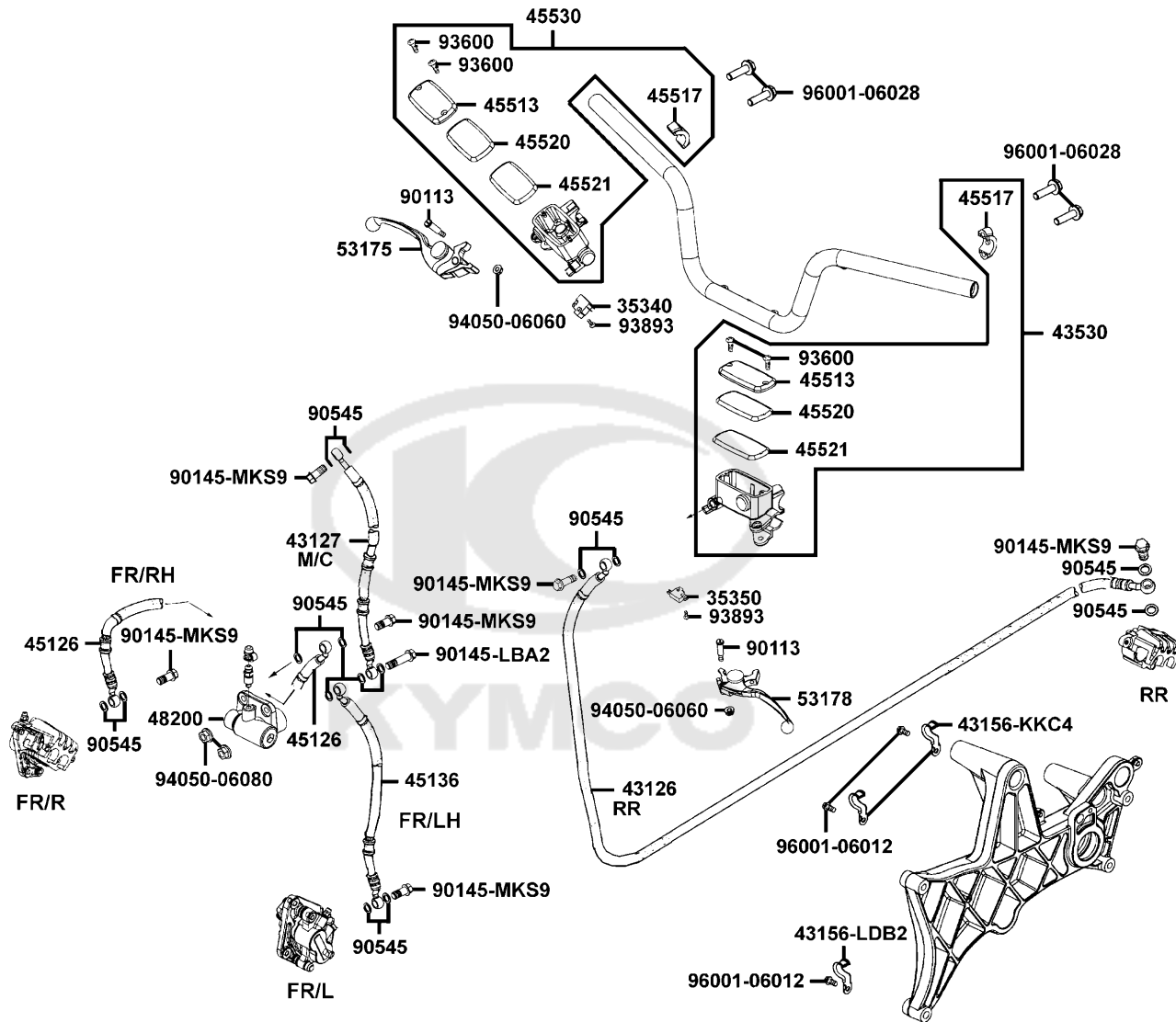


Brake Master Cylinder



Sales mark	Ref no	Part no	Description	Reg description	Regd no	F04
	35340	35340-KNBN-901	SW ASSY FR STOP	SW ASSY FR STOP	1	
	35350	35350-KNBN-901	SW ASSY RR STOP	SW ASSY RR STOP	1	
	43126	43126-LDB2-E00	HOSE ASSY C/P RR BRAKE	HOSE ASSY C/P RR BRAKE	1	
	43127	43127-LBA2-E01	HOSE ASSY M/C RR BRAKE	HOSE ASSY M/C RR BRAKE	1	
	43156-KKC4	43156-KKC4-900	CLAMPER HOSE RR	CLAMPER HOSE RR	2	
	43156-LDB2	43156-LDB2-900	CLAMPER HOSE RR	CLAMPER HOSE RR	1	
	43530	43530-KKE5-305	CYLINDER SET RR MASTER	CYLINDER SET RR MASTER	1	
	45126	45126-LBA2-E01	HOSE ASSY FR BRAKE (RH)	HOSE ASSY FR BRAKE (RH)	1	
	45136	45136-LBA2-E01	HOSE ASSY FR BRK (RH)	HOSE ASSY FR BRK (RH)	1	
**	45513	45513-LEA7-E00	CAP MASTER CYLINDER	CAP MASTER CYLINDER	2	
	45517	45517-LBA2-E00	HOLDER. M/C	HOLDER. M/C	2	
	45520	45520-KKA8-900	DIAPHRAGM	DIAPHRAGM	2	
	45521	45521-LEA7-E00	PLATE DIAPHRAGM	PLATE DIAPHRAGM	2	
	45530	45530-LBA2-308	CYLINDER SET FR MASTER	CYLINDER SET FR MASTER	1	
	48200	48200-LBA2-E01	LIMIT VALVE ASSY UBS	LIMIT VALVE ASSY UBS	1	
**	53175	53175-KKE5-E00	LEVER R STRG HANDLE	LEVER R STRG HANDLE	1	
**	53178	53178-KKE5-E00	LEVER L STRG HANDLE	LEVER L STRG HANDLE	1	
	90113	90113-KKA8-900	BOLT HANDLE LEVER	BOLT HANDLE LEVER	2	
	90145-LBA2	90145-LBA2-E00	OIL BOLT 10*33	OIL BOLT 10*33	1	
	90145-MKS9	90145-MKS9-61A	OIL BOLT 10*22	OIL BOLT 10*22	6	

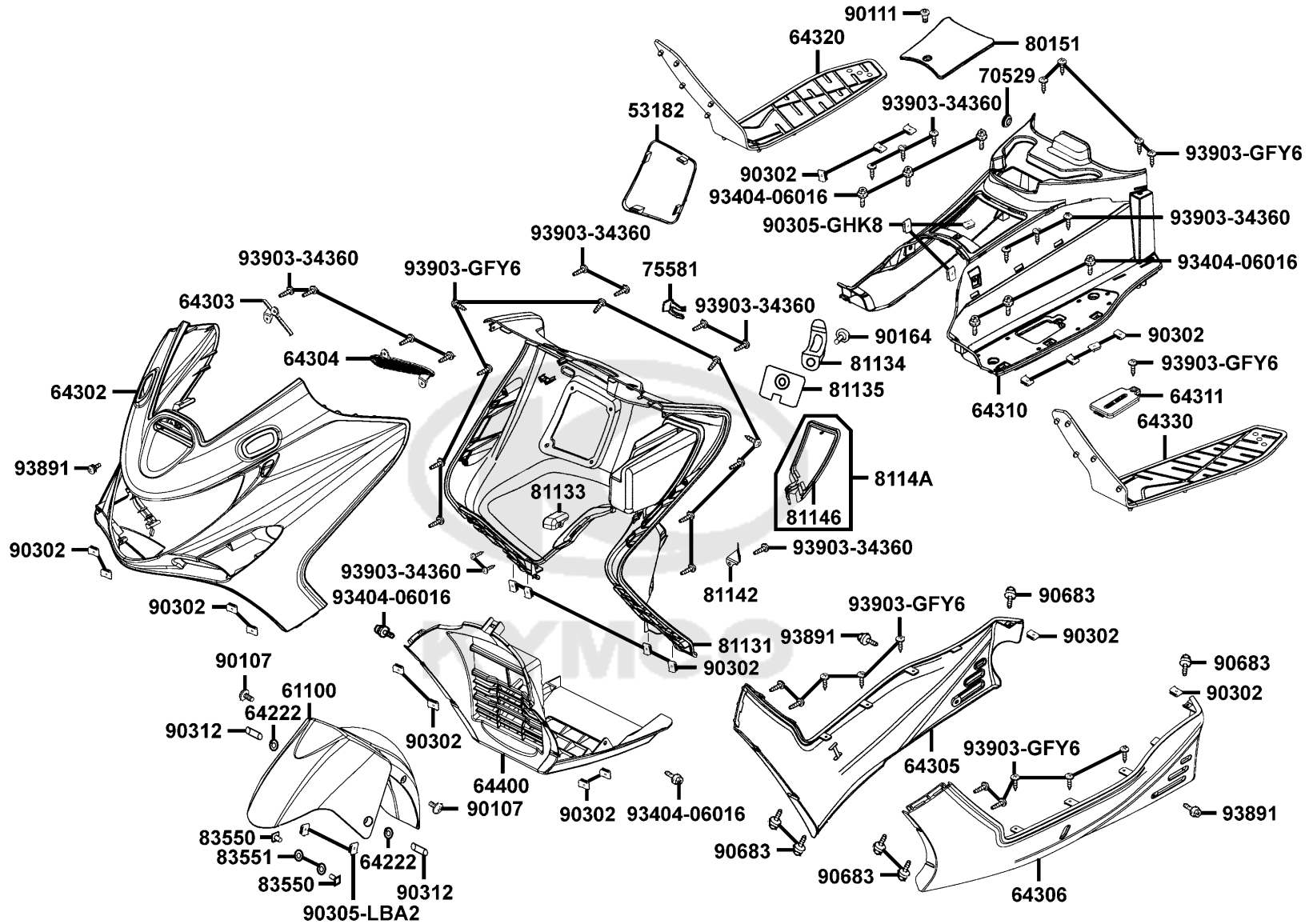
Brake Master Cylinder



Sales mark	Ref no	Part no	Description	Reg description	Regd no	<b>F04</b>
90545		90545-3L00-001	WASHER OIL BOLT	WASHER OIL BOLT	15	
93600		93600-04012-1A	SCREW FLAT 4*12	SCREW FLAT 4*12	4	
93893		93893-04012-18	SCREW WASHER 4*12	SCREW WASHER 4*12	2	
94050-06060		94050-06060	NUT FLANGE 6MM	NUT FLANGE 6MM	2	
94050-06080		94050-06080	NUT FLANGE 6MM	NUT FLANGE 6MM	2	
96001-06012		96001-06012-08	BOLT FLANGE SH 6*12	BOLT FLANGE SH 6*12	3	
96001-06028		96001-06028-06	BOLT FLANGE SH 6*28	BOLT FLANGE SH 6*28	4	



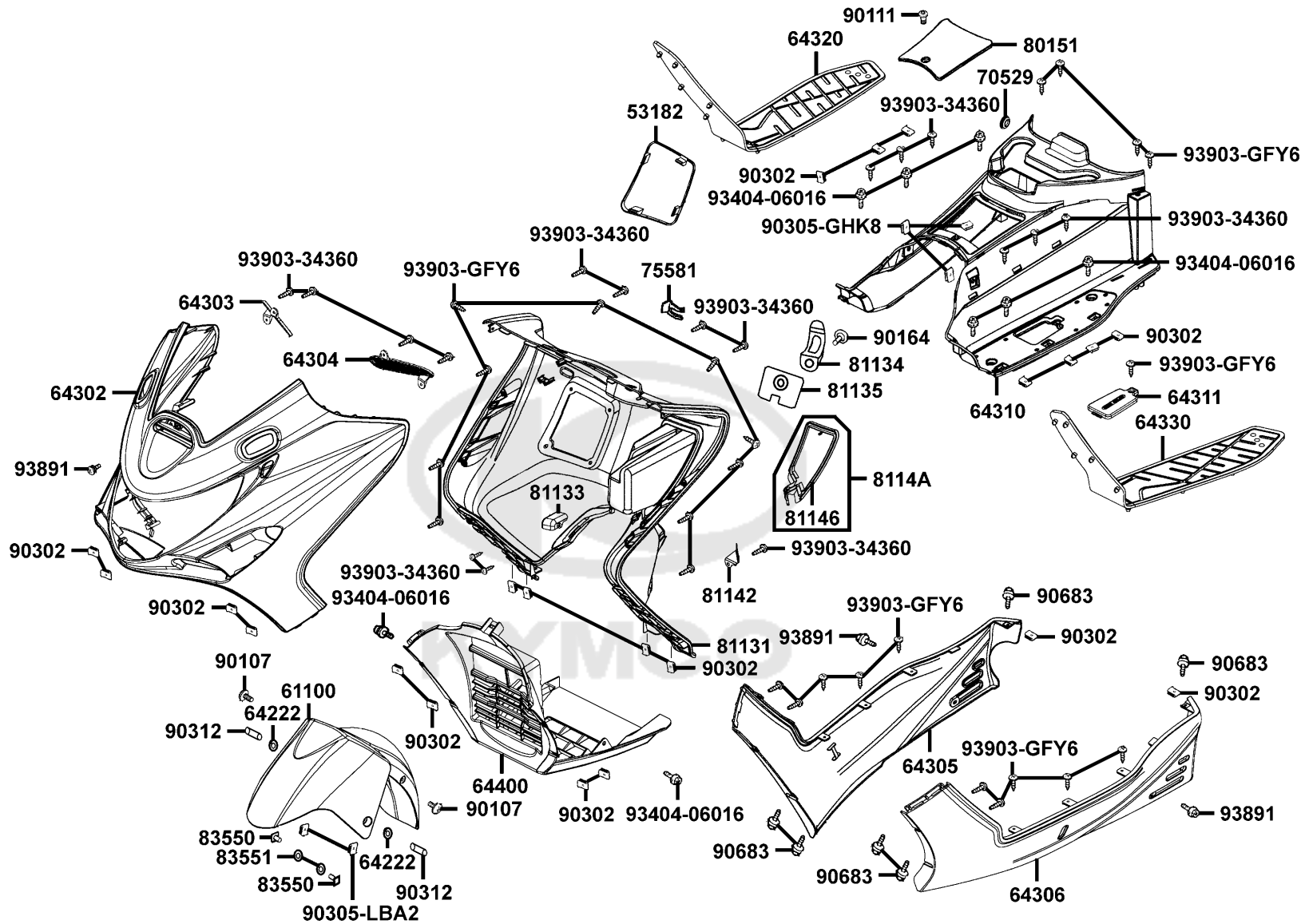
Front Cover/Floor Panel



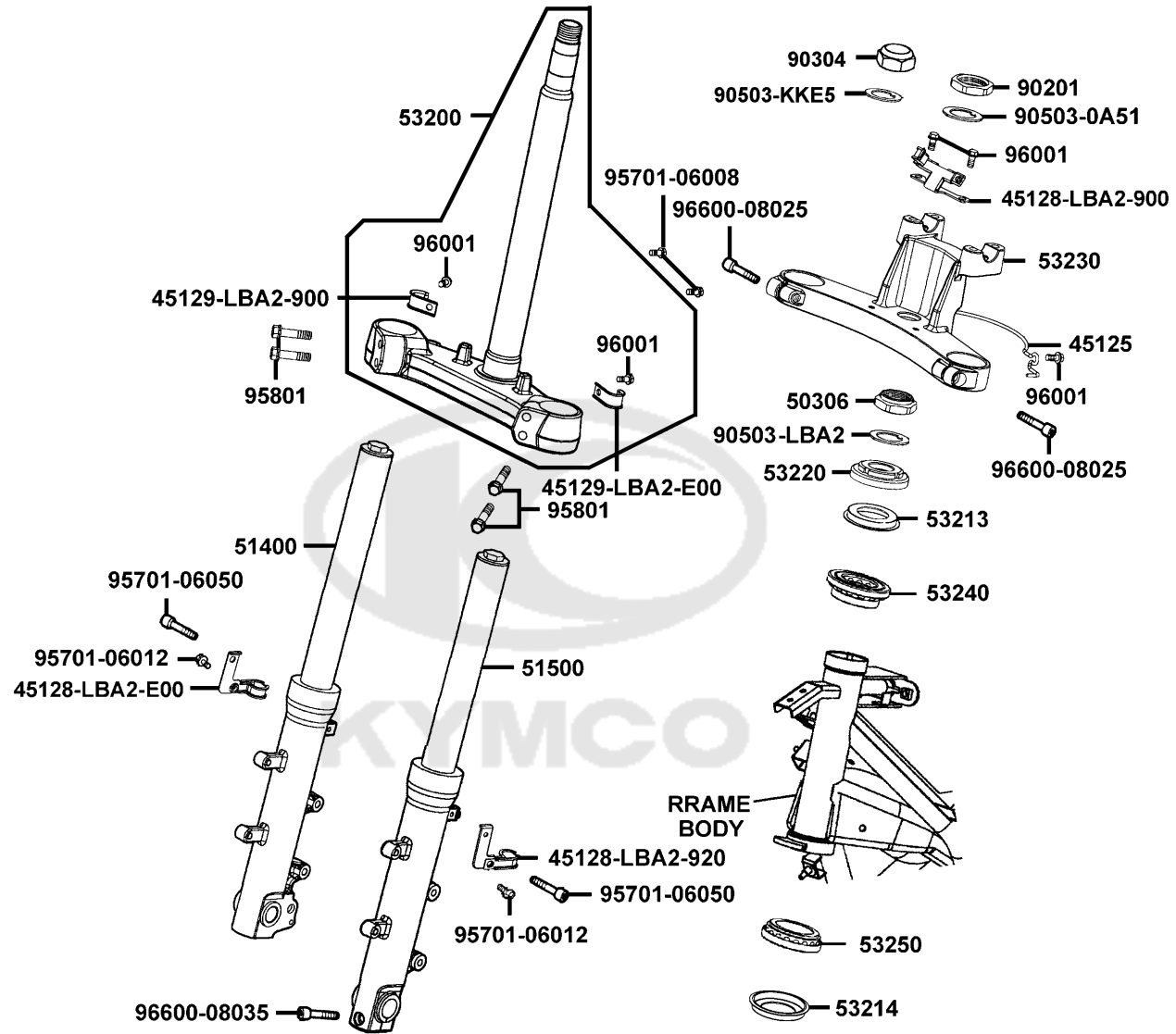


Sales mark	Ref no	Part no	Description	Reg description	Regd no	F05
	53182	53182-LDB2-E00	COVER HANDLE BRAKE	COVER HANDLE BRAKE	1	
**	61100	61100-LBA2-305	FENDER FR	FENDER FR	1	
	64222	64222-LLJ3-E00	RUBBER WIND SCREEN	RUBBER WIND SCREEN	2	
**	64302	64302-LBA2-E02	MOLDING FR	MOLDING FR	1	
**	64303	64303-LBA2-E00	GRID R FR MOLDING	GRID R FR MOLDING	1	
**	64304	64304-LBA2-E00	GRID L FR MOLDING	GRID L FR MOLDING	1	
**	64305	64305-LBA2-E00	SKIRT R SIDE	SKIRT R SIDE	1	
**	64306	64306-LBA2-E00	SKIRT L SIDE	SKIRT L SIDE	1	
**	64310	64310-LBA2-E00	FLOOR PANEL	FLOOR PANEL	1	
**	64311	64311-LBA2-E00	COVER R PILLION STEP	COVER R PILLION STEP	1	
**	64320	64320-LBA2-E00	MAT R FLOOR	MAT R FLOOR	1	
**	64330	64330-LBA2-E00	MAT L FLOOR	MAT L FLOOR	1	
**	64400	64400-LBA2-E00	COWL UNDER	COWL UNDER	1	
	70529	70529-6G57-671	GROM B SIDE PNL	GROM B SIDE PNL	1	
	75581	75581-6C73-001	SET SPG LOCK KEY	SET SPG LOCK KEY	1	
**	80151	80151-LBA2-E00	COVER CENTER	COVER CENTER	1	
**	81131	81131-LBA2-E01	LEG SHIELD	LEG SHIELD	1	
	81133	81133-LBA2-E00	CAP LEG SHIELD	CAP LEG SHIELD	1	
	81134	81134-KGBG-900	HOOK LUGGAGE	HOOK LUGGAGE	1	
	81135	81135-KGBG-900	STAY LUGGAGE HOOK	STAY LUGGAGE HOOK	1	

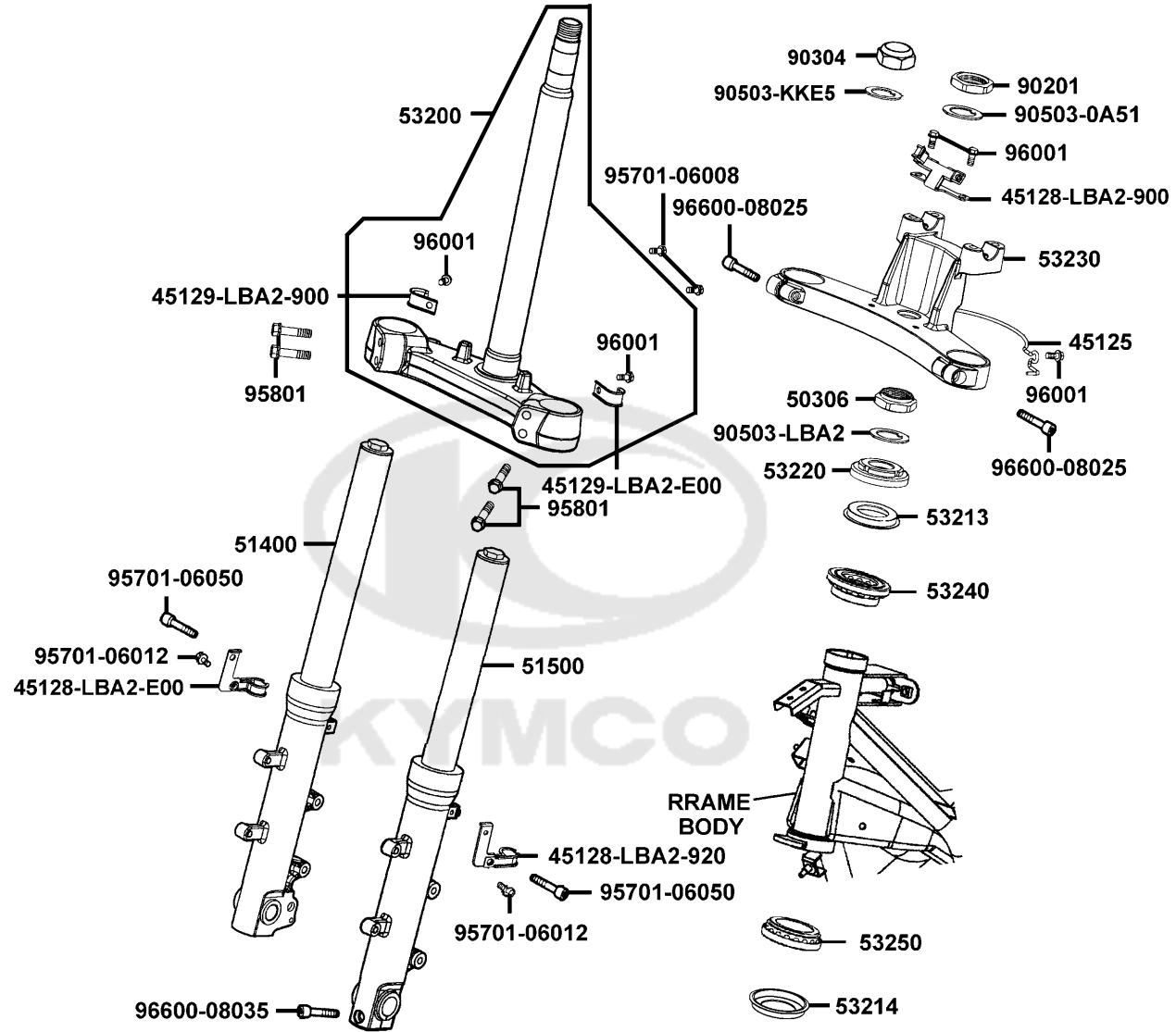
Front CoverFloor Panel



Sales mark	Ref no	Part no	Description	Reg description	Regd no	<b>F05</b>
	81142	81142-LBA2-E00	STAY LID INNER BOX	STAY LID INNER BOX	1	
	81146	81146-LBA2-E00	SEAL LID INNER BOX	SEAL LID INNER BOX	1	
**	8114A	8114A-LBA2-E00	LID ASSY INNER BOX	LID ASSY INNER BOX	1	
	83550	83550-KEC8-900	COLLAR	COLLAR	2	
	83551	83551-KEC8-900	GROMMET COVER	GROMMET COVER	2	
	90107	90107-LEA7-E00	BOLT SPECIAL 8MM	BOLT SPECIAL 8MM	2	
	90111	90111-KED9-900	SCREW PAN 6*14	SCREW PAN 6*14	1	
	90164	90164-KGBG-900	SCREW SPECIAL 6MM	SCREW SPECIAL 6MM	1	
	90302	90302-SDA4-004	NUT SPRING 4MM	NUT SPRING 4MM	21	
	90305-GHK8	90305-GHK8-001	NUT CLIP 6MM	NUT CLIP 6MM	3	
	90305-LBA2	90305-LBA2-E00	NUT CLIP 6MM	NUT CLIP 6MM	2	
	90312	90312-LLJ3-E01	COLLAR WIND SCREEN	COLLAR WIND SCREEN	2	
	90683	90683-GAR1-004	CLIP BODY COVER	CLIP BODY COVER	6	
	93404-06016	93404-06016-06	BOLT WASHER 6*16	BOLT WASHER 6*16	8	
	93891	93891-05016-06	SCREW WASHER 5*16	SCREW WASHER 5*16	3	
	93903-34360	93903-34360	SCREW TAPPING 4*12	SCREW TAPPING 4*12	17	
	93903-GFY6	93903-GFY6-900	SCREW TAPP 4*14	SCREW TAPP 4*14	25	



Sales mark	Ref no	Part no	Description	Reg description	Regd no	F06
	45125	45125-LBA2-E00	CLIP BRK HOSE(TOP BRIDGE)	CLIP BRK HOSE(TOP BRIDGE)	1	
	45128-LBA2-900	45128-LBA2-900	CLAMPER FR BRK (TOP BRIDGE)	CLAMPER FR BRK (TOP BRIDGE)	1	
	45128-LBA2-920	45128-LBA2-920	CLAMPER FR BRK HOSE	CLAMPER FR BRK HOSE	1	
	45128-LBA2-E00	45128-LBA2-E00	CLAMPER FR BRK HOSE	CLAMPER FR BRK HOSE	1	
	45129-LBA2-900	45129-LBA2-900	CLAMPER FR BRK HOSE	CLAMPER FR BRK HOSE	1	
	45129-LBA2-E00	45129-LBA2-E00	CLAMPER FR BRK HOSE	CLAMPER FR BRK HOSE	1	
	50306	50306-1F96-001	NUT STRG STEM LOCK	NUT STRG STEM LOCK	1	
**	51400	51400-LDB2-E00	FORK ASSY R FR	FORK ASSY R FR	1	
**	51500	51500-LDB2-E00	FORK ASSY L FR	FORK ASSY L FR	1	
	53200	53200-LBA2-E00	STEM COMP STRG	STEM COMP STRG	1	
	53213	53213-LBA2-E00	DUST SEAL STRG HEAD TOP	DUST SEAL STRG HEAD TOP	1	
	53214	53214-LBA2-E00	DUST SEAL STRG (HEAD)	DUST SEAL STRG (HEAD)	1	
	53220	53220-LBA2-E00	THREAD COMP STRG HEAD TOP	THREAD COMP STRG HEAD TOP	1	
	53230	53230-LBA2-E00	BRIDGE FORK TOP	BRIDGE FORK TOP	1	
	53240	53240-LBA2-E00	BEARING TOT STRG	BEARING TOT STRG	1	
	53250	53250-LBA2-E00	BEARING BOT STRG	BEARING BOT STRG	1	
	90201	90201-LBA2-E00	NUT STRG STEM	NUT STRG STEM	1	
	90304	90304-KKE5-E00	NUT. STRG. STEM	NUT. STRG. STEM	1	
	90503-0A51	90503-0A51-870	WASHER STEERING STEM NUT	WASHER STEERING STEM NUT	1	
	90503-KKE5	90503-KKE5-E00	WASHER STEERING STEM NUT	WASHER STEERING STEM NUT	1	

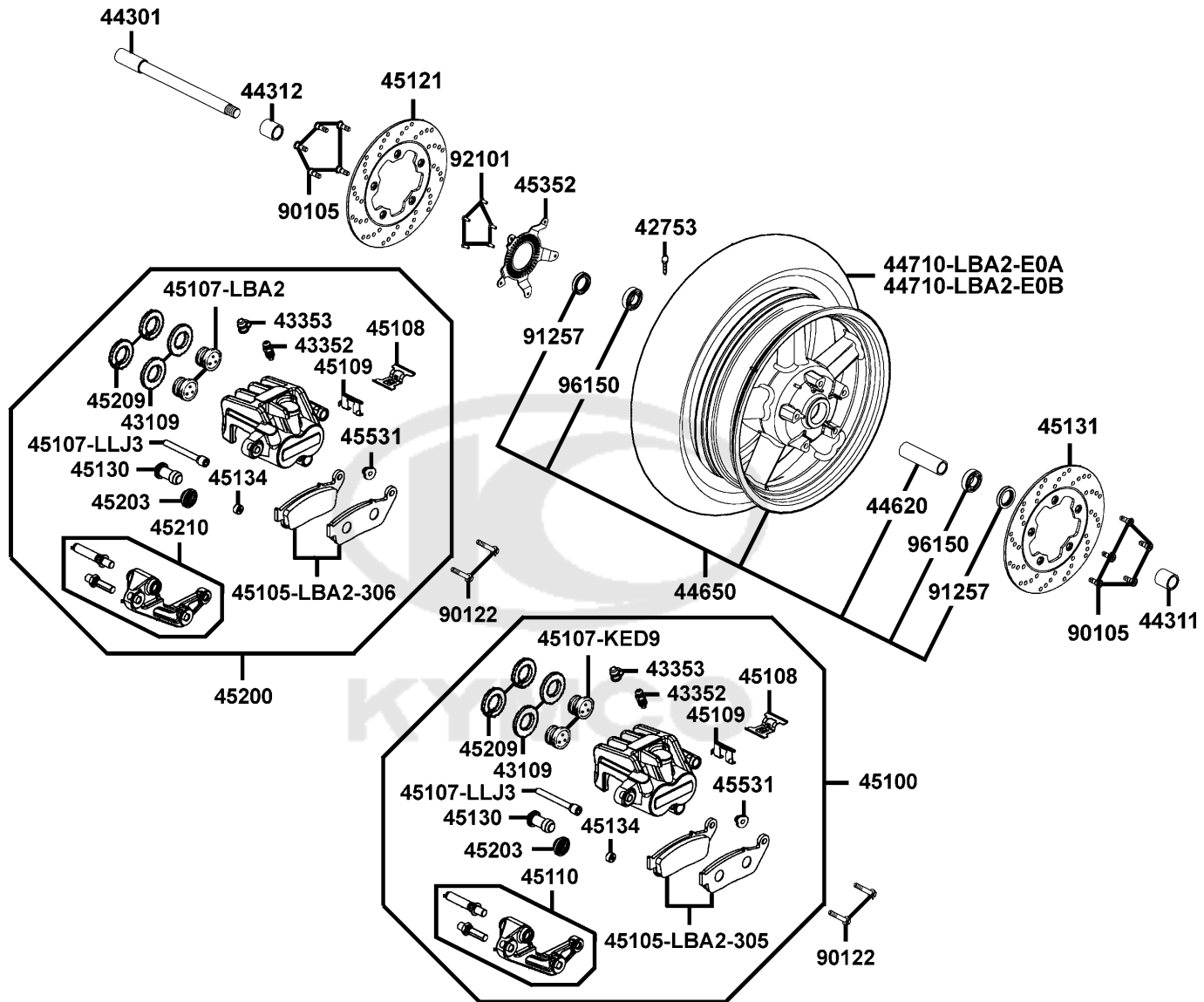


Sales mark	Ref no	Part no	Description	Reg description	Regd no	<b>F06</b>
	90503-LBA2	90503-LBA2-E00	WASHER STRG STEM NUT	WASHER STRG STEM NUT	1	
	95701-06008	95701-06008-06	BOLT FLANGE 6*8	BOLT FLANGE 6*8	2	
	95701-06012	95701-06012-00	BOLT FLANGE 6*12	BOLT FLANGE 6*12	2	
	95701-06050	95701-06050-00	BOLT FLANGE 6*50	BOLT FLANGE 6*50	2	
	95801	95801-08040-08	BOLT FLANGE 8*40	BOLT FLANGE 8*40	4	
	96001	96001-06012-08	BOLT FLANGE SH 6*12	BOLT FLANGE SH 6*12	5	
	96600-08025	96600-08025-06	SOCKET BOLT 8*25	SOCKET BOLT 8*25	2	
	96600-08035	96600-08035-06	SOCKET BOLT 8*35	SOCKET BOLT 8*35	1	



F07

Front Wheel

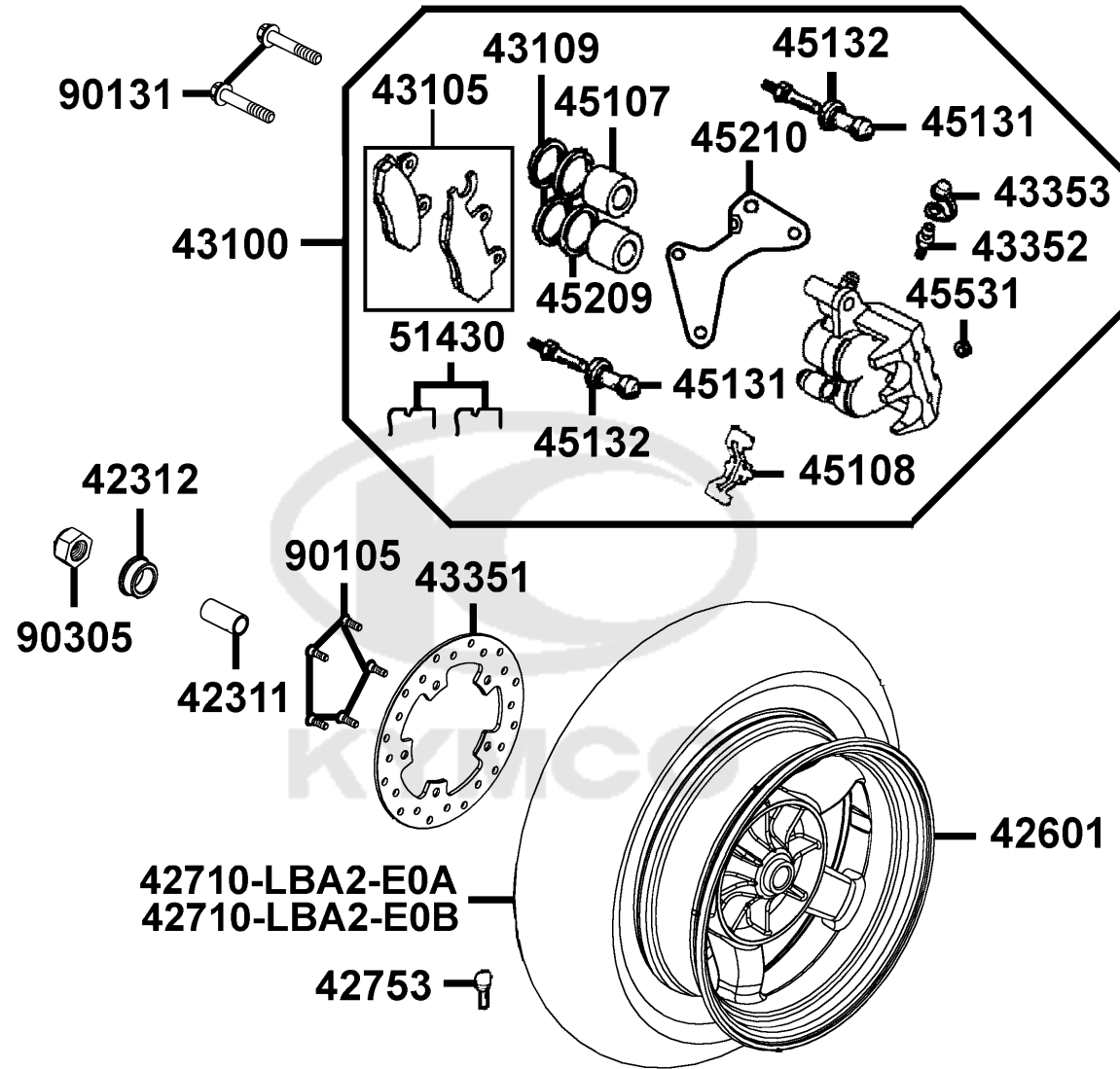




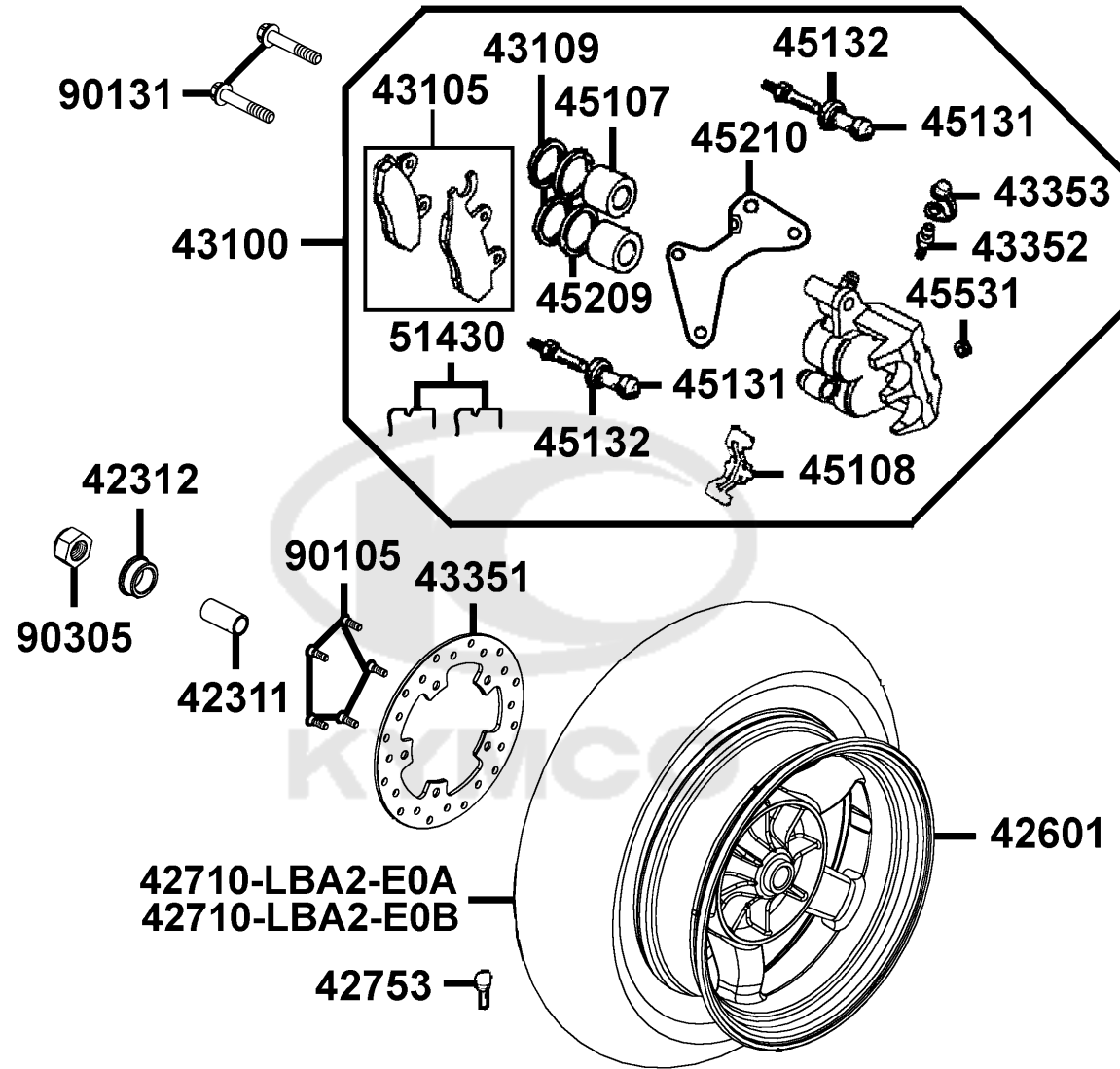
Sales mark	Ref no	Part no	Description	Reg description	Regd no	F07
	42753	42753-KNBN-90B	VALVE RIM (TR412)	VALVE RIM (TR412)	1	
	43109	43109-LBA2-E00	DUST SEAL	DUST SEAL	4	
	43353	43353-KED9-900	CAP-BREATHER	CAP-BREATHER	2	
	43352	4335A-LBA2-E01	BLEEDER ASSY	BLEEDER ASSY	1	
	44301	44301-LBA2-E00	AXLE FR WHEEL	AXLE FR WHEEL	1	
	44311	44311-KED9-900	COLLAR FR SIDE WHEEL	COLLAR FR SIDE WHEEL	1	
	44312	44312-LBA2-E00	COLLAR FR WHEEL SIDE L	COLLAR FR WHEEL SIDE L	1	
	44620	44620-LBA2-E00	COLLAR FR AXLE DISTANCE	COLLAR FR AXLE DISTANCE	1	
**	44650	44650-LBA2-305	WHEEL SET FR	WHEEL SET FR	1	
	44710-LBA2-E0A	44710-LBA2-E0A	TIRE ASSY FR /MAXXIS	TIRE ASSY FR /MAXXIS	1	
	44710-LBA2-E0B	44710-LBA2-E0B	TIRE ASSY FR /KENDA	TIRE ASSY FR /KENDA	1	
**	45100	45100-LBA2-E01	CALIPER ASSY FR L/H	CALIPER ASSY FR L/H	1	
	45105-LBA2-305	45105-LBA2-305	PAD ASSY	PAD ASSY	1	
	45105-LBA2-306	45105-LBA2-306	PAD ASSY	PAD ASSY	1	
	45107-KED9	45107-KED9-900	PISTON-COMP-BRAKE	PISTON-COMP-BRAKE	2	
	45107-LBA2	45107-LBA2-E00	PISTON	PISTON	2	
	45107-LLJ3	45107-LLJ3-E90	PIN HANGE	PIN HANGE	2	
	45108	45108-KED9-900	SPRING PAD	SPRING PAD	2	
	45109	45109-KED9-900	SLIDE PAD	SLIDE PAD	2	
**	45110	45110-LBA2-305	BRACKET COMP FR	BRACKET COMP FR	1	



Sales mark	Ref no	Part no	Description	Reg description	Regd no	<b>F07</b>
	45121	45121-LDB2-E00	DISK FR BRK R	DISK FR BRK R	1	
	45130	45130-KED9-900	BOOT	BOOT	2	
	45131	45131-LDB2-E00	DISK FR BRK L	DISK FR BRK L	1	
	45134	45134-KED9-900	BOOT B	BOOT B	2	
**	45200	45200-LBA2-E00	CALIPER ASSY FR R	CALIPER ASSY FR R	1	
	45203	45203-KED9-900	PLUG PIN	PLUG PIN	2	
	45209	45209-LBA2-E00	SEAL PISTON	SEAL PISTON	4	
**	45210	45210-LBA2-305	BRACKET COMP FR	BRACKET COMP FR	1	
	45352	45352-LBA2-E00	READ PLATE ABS	READ PLATE ABS	1	
	45531	45531-KED9-900	PLUG	PLUG	2	
	90105	90105-KCR3-001	BOLT FR DISK 8*24	BOLT FR DISK 8*24	10	
	90122	90122-LBA2-E00	BOLT FLANGE 8*38	BOLT FLANGE 8*38	4	
	91257	91257-KED9-900	DUST SEAL 28*42*8	DUST SEAL 28*42*8	2	
	92101	92101-05012-0A	BOLT HEX 5*12	BOLT HEX 5*12	5	
	96150	96150-60040-10	BEARING BALL RADIAL 6004	BEARING BALL RADIAL 6004	2	



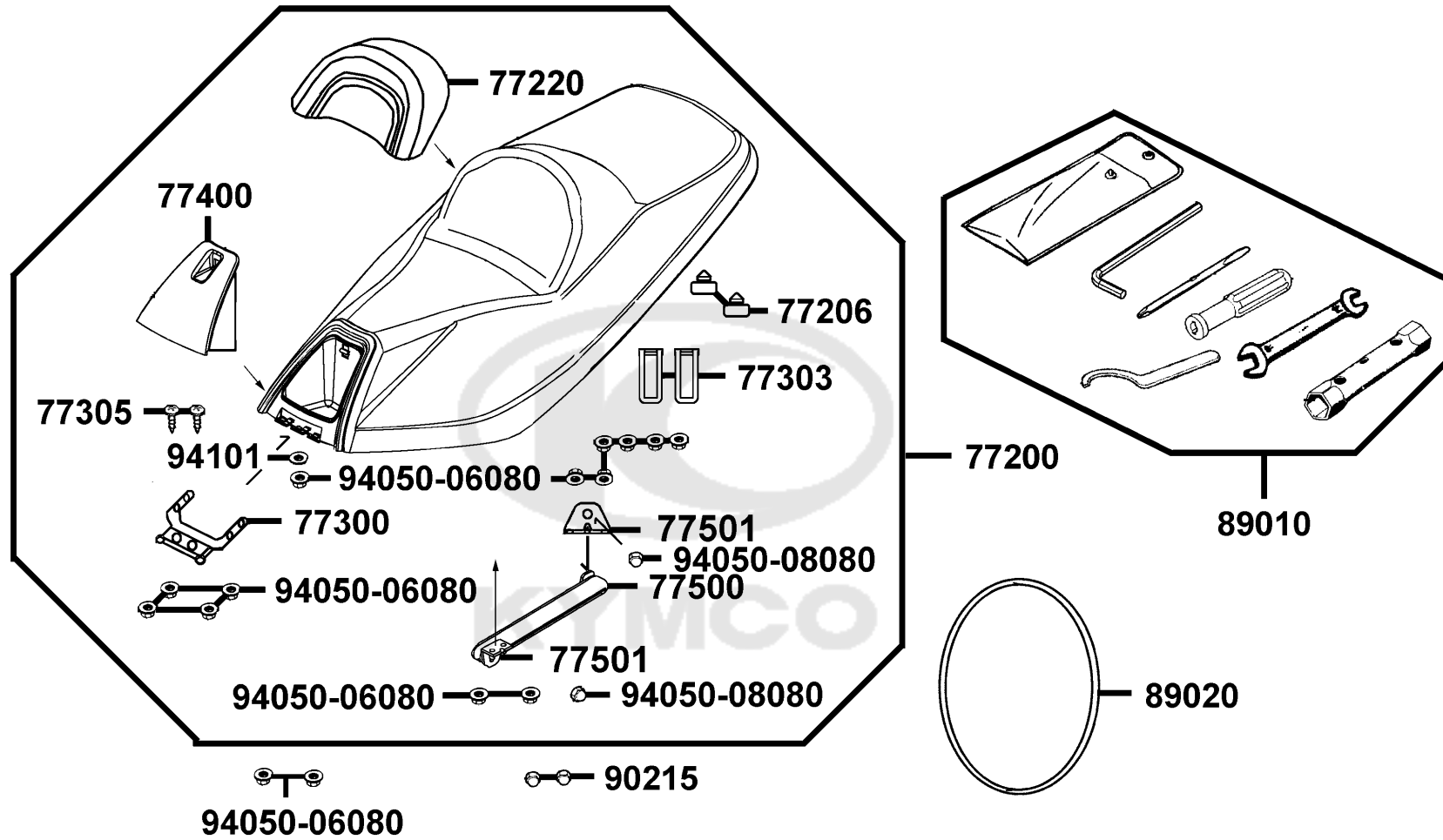
Sales mark	Ref no	Part no	Description	Reg description	Regd no	F08
	42311	42311-LDB2-E00	COLLAR RR AXLE A	COLLAR RR AXLE A	1	
	42312	42312-KHE7-E00	COLLAR RR AXLE SIDE	COLLAR RR AXLE SIDE	1	
**	42601	42601-LDB2-E00	WHEEL RR CAST	WHEEL RR CAST	1	
	42710-LBA2-E0A	42710-LBA2-E0A	TIRE ASSY RR /MAXXIS	TIRE ASSY RR /MAXXIS	1	
	42710-LBA2-E0B	42710-LBA2-E0B	TIRE ASSY RR /KENDA	TIRE ASSY RR /KENDA	1	
	42753	42753-KNBN-90B	VALVE RIM (TR412)	VALVE RIM (TR412)	1	
**	43100	43100-LDF2-E00	CALIPER ASSY RR	CALIPER ASSY RR	1	
	43105	43105-LDH1-305	PAD SET	PAD SET	1	
	43109	43109-MCA3-007	SEAL PISTON	SEAL PISTON	2	
	43351	43351-LBA2-E00	DISK RR BRAKE	DISK RR BRAKE	1	
	43352	43352-KKD6-E90	SCREW BLEEDER	SCREW BLEEDER	1	
	43353	43353-4A61-77A	CAP BLEEDER	CAP BLEEDER	1	
	45107	45107-LLJ3-E00	PISTON	PISTON	2	
	45108	45108-LDH1-E00	SPRING PAD	SPRING PAD	1	
	45131	45131-LDH1-E00	PIN BOLT	PIN BOLT	2	
	45132	45132-LDH1-E00	BUSH BOOT PIN	BUSH BOOT PIN	2	
	45209	45209-KED9-900	SEAL PISTON	SEAL PISTON	2	
**	45210	45210-LDF2-E00	BRACKET FR CALIPER	BRACKET FR CALIPER	1	
	45531	45531-GAR1-951	PLUG	PLUG	1	
	51430	51430-LDH1-E00	SLIDE PAD	SLIDE PAD	2	



Sales mark	Ref no	Part no	Description	Reg description	Regd no	<b>F08</b>
------------	--------	---------	-------------	-----------------	---------	------------

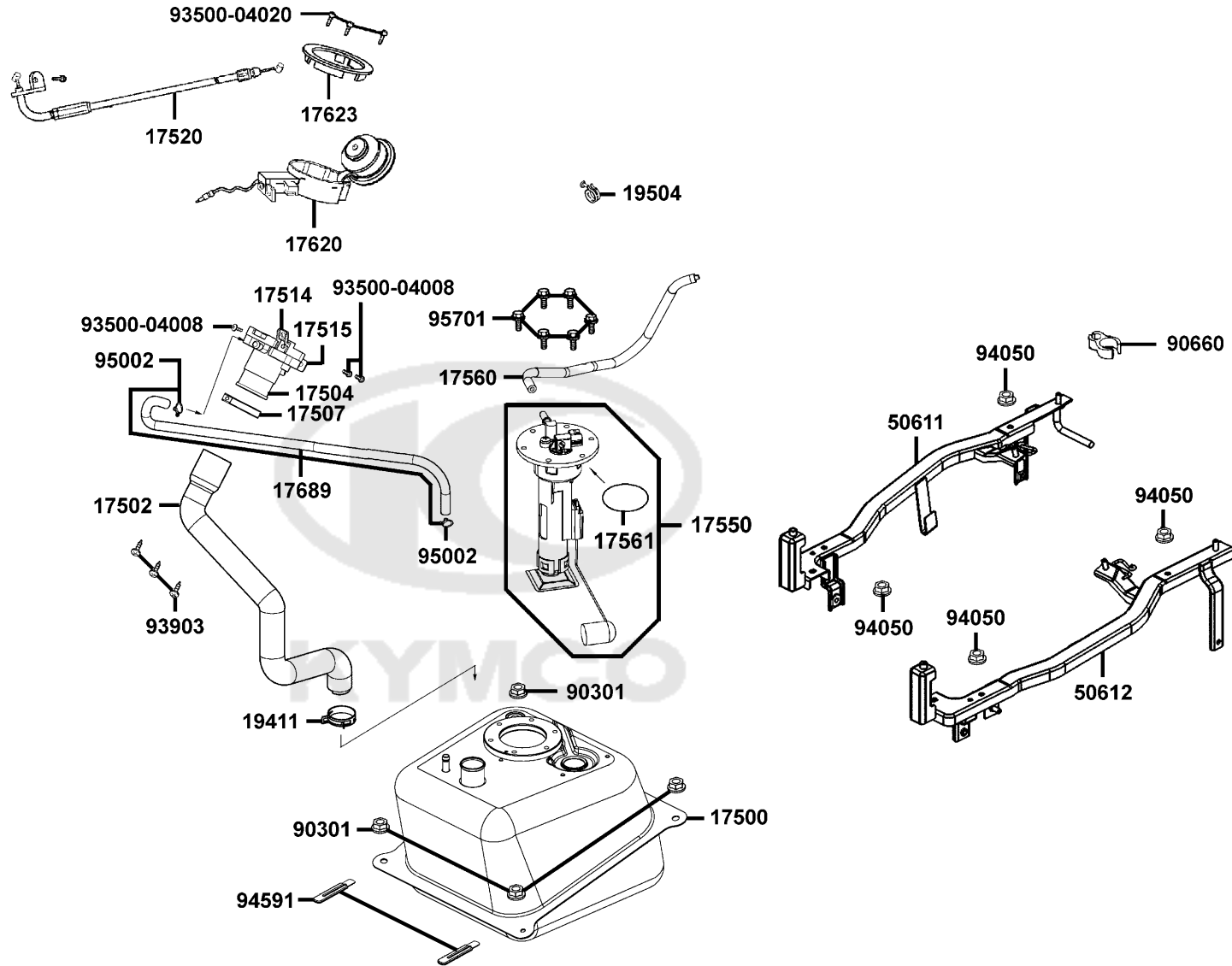
90105		90105-KCR3-001	BOLT FR DISK 8*24	BOLT FR DISK 8*24	5	<b>F08</b>
90131		90131-LDB2-E00	BOLT FLANGE 8*42	BOLT FLANGE 8*42	2	
90305		90305-KKAK-900	NUT U FLANGE 16MM	NUT U FLANGE 16MM	1	



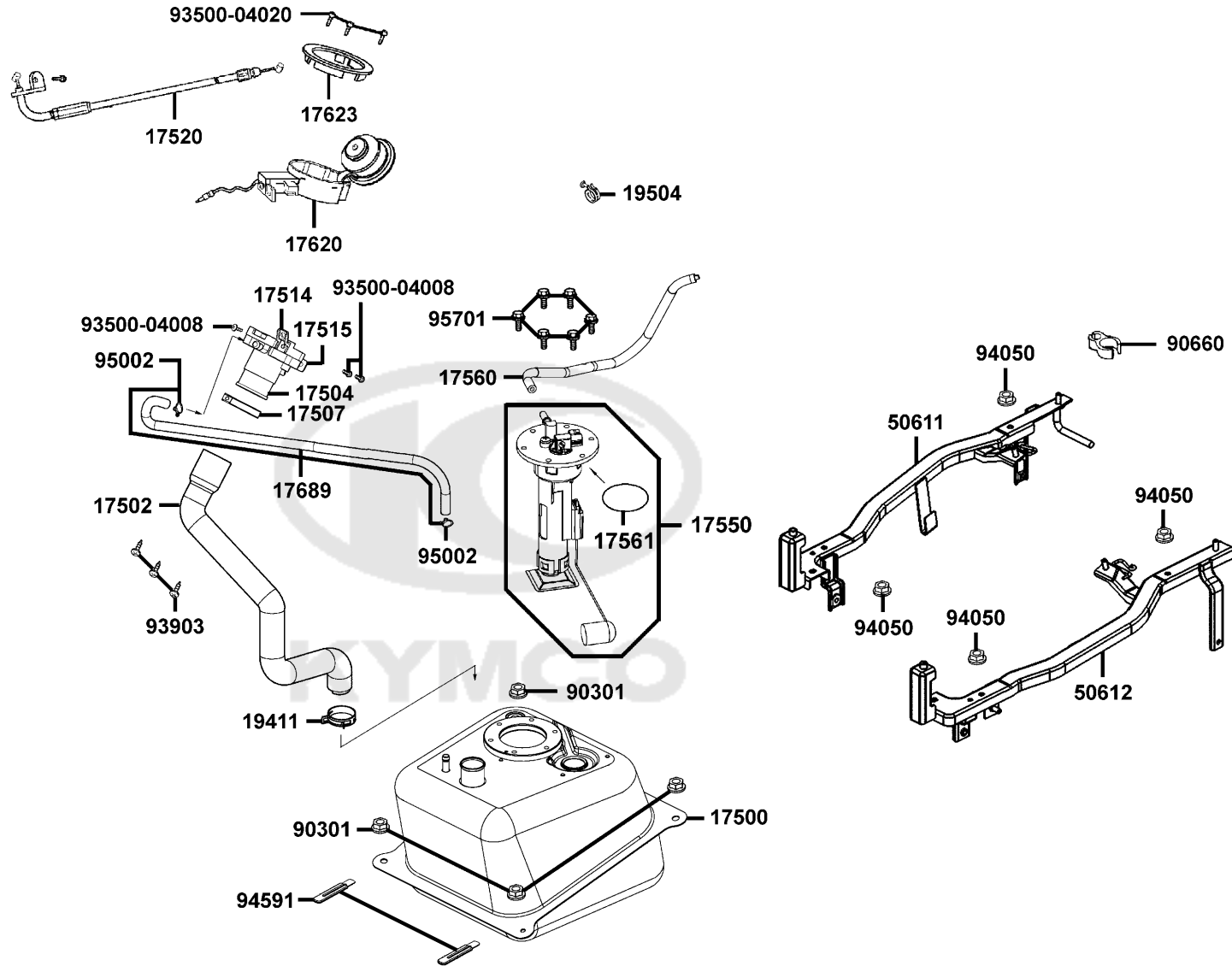




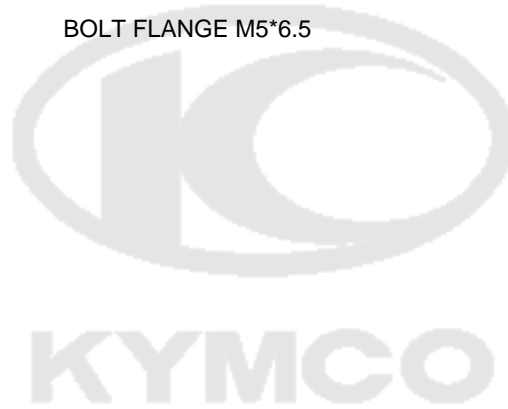
Sales mark	Ref no	Part no	Description	Reg description	Regd no	<b>F09</b>
**	77200	77200-LDG7-E00	SEAT ASSY	SEAT ASSY	1	
	77206	77206-KEB7-900	RUBBER SEAT CUSH	RUBBER SEAT CUSH	2	
**	77220	77220-LDG7-E00	SEAT ASSY PAD	SEAT ASSY PAD	1	
	77300	77300-LBA2-E00	HINGE ASSY SEAT	HINGE ASSY SEAT	1	
	77303	77303-LLJ3-E00	HOOK SEAT LOCK	HOOK SEAT LOCK	2	
	77305	77305-LDG7-E00	SCREW RIVENT	SCREW RIVENT	2	
	77400	77400-LBA2-E00	BOX ASSY SEAT	BOX ASSY SEAT	1	
	77500	77500-LBA2-E00	DAMPER GAS	DAMPER GAS	1	
	77501	77501-LBA2-E00	STAY GAS DAMPER	STAY GAS DAMPER	2	
	89010	89010-LDB2-E00	TOOL SET	TOOL SET	1	
	89020	89020-KKC4-900	BAND TOOL SET	BAND TOOL SET	1	
	90215	90215-KKC4-900	NUT CAP 6MM	NUT CAP 6MM	2	
	94050-06080	94050-06080	NUT FLANGE 6MM	NUT FLANGE 6MM	15	
	94050-08080	94050-08080	NUT FLANGE 8MM	NUT FLANGE 8MM	2	
	94101	94101-06800	WASHER PLAIN 6MM	WASHER PLAIN 6MM	1	

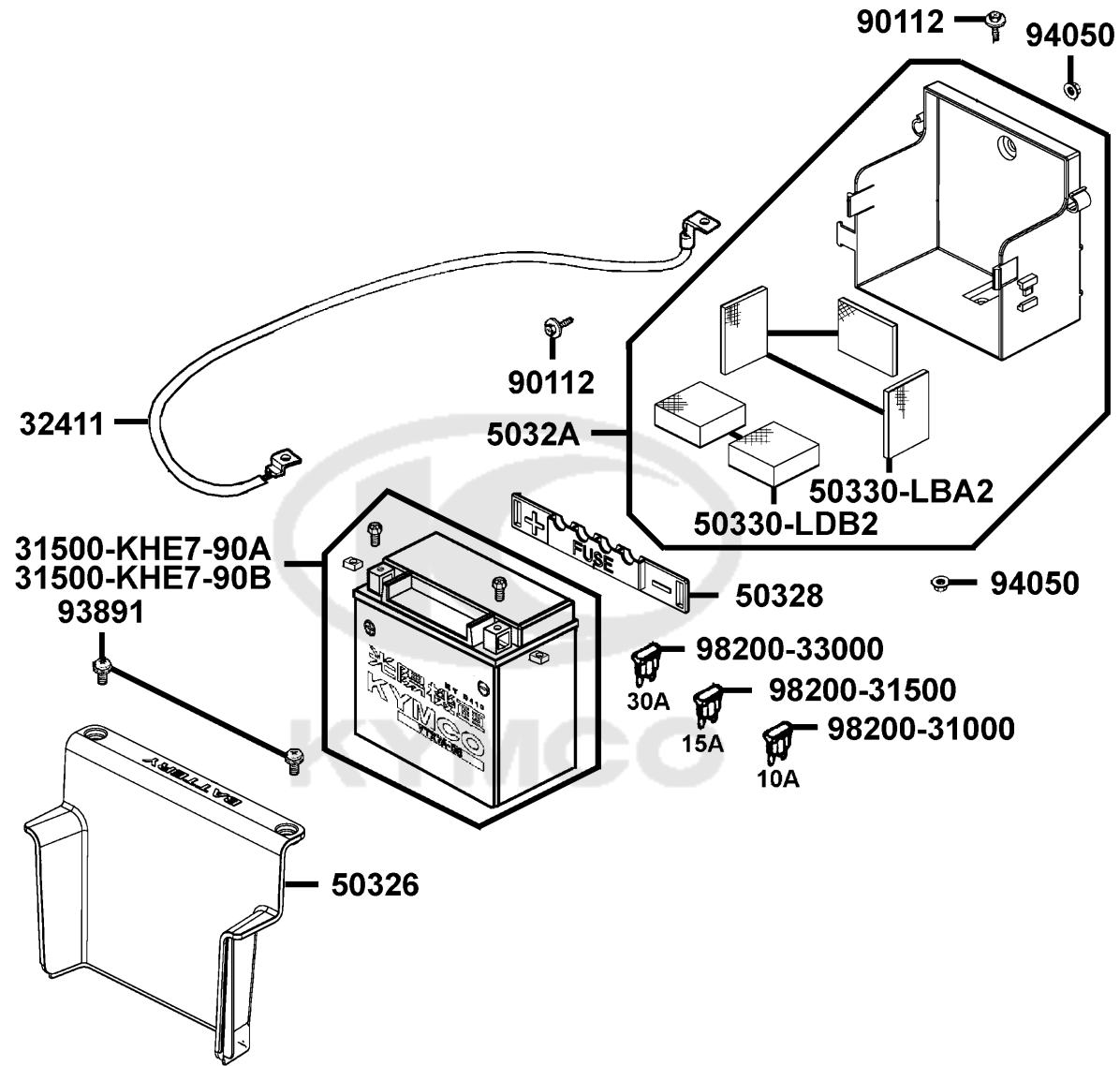


Sales mark	Ref no	Part no	Description	Reg description	Regd no	F10
	17500	17500-LDF2-910	TANK COMP FUEL	TANK COMP FUEL	1	
	17502	17502-LBA2-E00	TUBE FUEL	TUBE FUEL	1	
	17504	17504-LAB4-900	FUEL FILLER	FUEL FILLER	1	
	17507	17507-LAB4-900	BAND FUEL HOSE	BAND FUEL HOSE	1	
	17514	17514-LBA2-E00	STAY A FUEL FILLER	STAY A FUEL FILLER	1	
	17515	17515-LBA2-E00	STAY B FUEL FILLER	STAY B FUEL FILLER	1	
	17520	17520-LBA2-E00	CABLE COMP FUEL CAP	CABLE COMP FUEL CAP	1	
	17550	17550-LDF2-800	FUEL PUMP ASSY	FUEL PUMP ASSY	1	
	17560	17560-LDF2-900	TUBE PUMP INJECTOR	TUBE PUMP INJECTOR	1	
	17561	17561-LDF2-900	O-RING	O-RING	1	
**	17620	17620-LLJ3-E0A	CAP COMP FUEL FILLER	CAP COMP FUEL FILLER	1	
**	17620	17620-LLJ3-E0B	CAP COMP FUEL FILLER	CAP COMP FUEL FILLER	1	
	17623	17623-LAB4-90A	COLLAR FUEL FILLER	COLLAR FUEL FILLER	1	
	17623	17623-LAB4-90B	COLLAR FUEL FILLER	COLLAR FUEL FILLER	1	
	17689	17689-KEBE-E00	TUBE ASSY TANK-FILLER	TUBE ASSY TANK-FILLER	1	
	19411	19411-KBCB-900	CLIP HOSE	CLIP HOSE	1	
	19504	19504-LBA2-E00	CLAMP D16.8	CLAMP D16.8	1	
	50611	50611-LDF2-900	RNFCT R COMP FLOOR	RNFCT R COMP FLOOR	1	
	50612	50612-LDF2-900	RNFCT L COMP FLOOR	RNFCT L COMP FLOOR	1	
	90301	90301-6D34-671	NUT FLANGE 6MM	NUT FLANGE 6MM	4	



Sales mark	Ref no	Part no	Description	Reg description	Regd no	<b>F10</b>
90660		90660-KNBN-921	CLAMPER TUBE	CLAMPER TUBE	1	
93500-04008		93500-04008-0G	SCREW PAN 4*8	SCREW PAN 4*8	3	
93500-04020		93500-04020-0G	SCREW PAN 4*20	SCREW PAN 4*20	3	
93903		93903-35260	SCREW TAPPING 5*12	SCREW TAPPING 5*12	3	
94050		94050-06080	NUT FLANGE 6MM	NUT FLANGE 6MM	4	
94591		94591-KFBF-900	CLIP 2*70	CLIP 2*70	1	
95002		95002-02130	CLIP B12.5 TUBE	CLIP B12.5 TUBE	2	
95701		95701-LDF2-800	BOLT FLANGE M5*6.5	BOLT FLANGE M5*6.5	6	





Sales mark	Ref no	Part no	Description	Reg description	Regd no	F11
	31500-KHE7-90A	31500-KHE7-90A	BATTERY YTX12-BS	BATTERY YTX12-BS	1	
	31500-KHE7-90B	31500-KHE7-90B	BATTERY GTX12-BS	BATTERY GTX12-BS	1	
	32411	32411-LBA2-E00	CABLE BATTERY	CABLE BATTERY	1	
	50326	50326-LBA2-E00	COVER BATTERY	COVER BATTERY	1	
	50328	50328-LBA2-E00	BAND BATTERY	BAND BATTERY	1	
	5032A	5032A-LDB2-E00	CASE ASSY BATTERY	CASE ASSY BATTERY	1	
	50330-LBA2	50330-LBA2-E00	SPONGE BATTERY	SPONGE BATTERY	3	
	50330-LDB2	50330-LDB2-E00	SPONGE BATTERY	SPONGE BATTERY	2	
	90112	90112-KNBN-901	BOLT FLANGE 6MM	BOLT FLANGE 6MM	2	
	93891	93891-05016-06	SCREW WASHER 5*16	SCREW WASHER 5*16	2	
	94050	94050-06080	NUT FLANGE 6MM	NUT FLANGE 6MM	2	
	98200-31000	98200-31000	BLADE FUSE 10A	BLADE FUSE 10A	1	
	98200-31500	98200-31500	BLADE FUSE 15A	BLADE FUSE 15A	1	
	98200-33000	98200-33000	BLADE FUSE 30A	BLADE FUSE 30A	1	

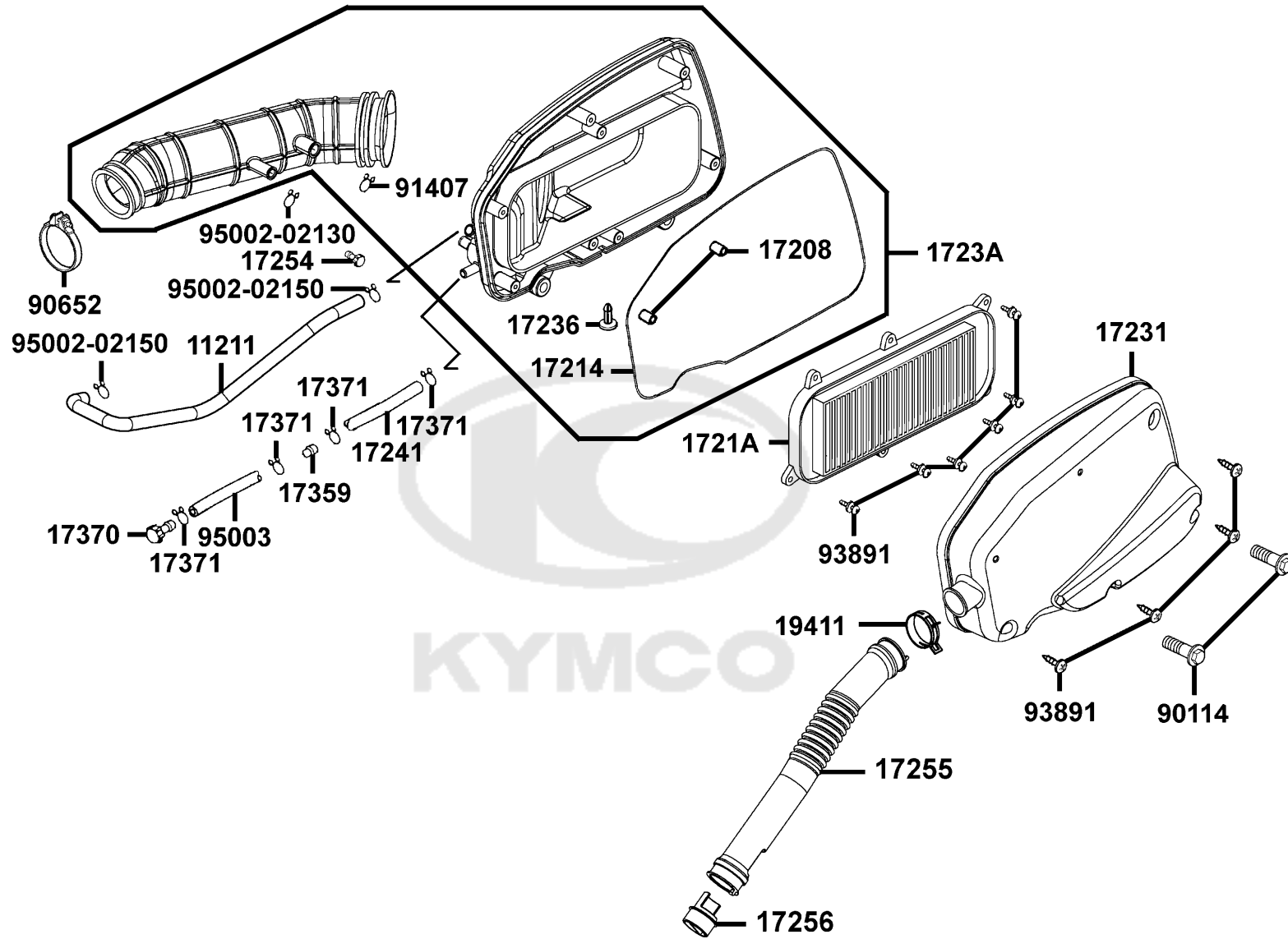




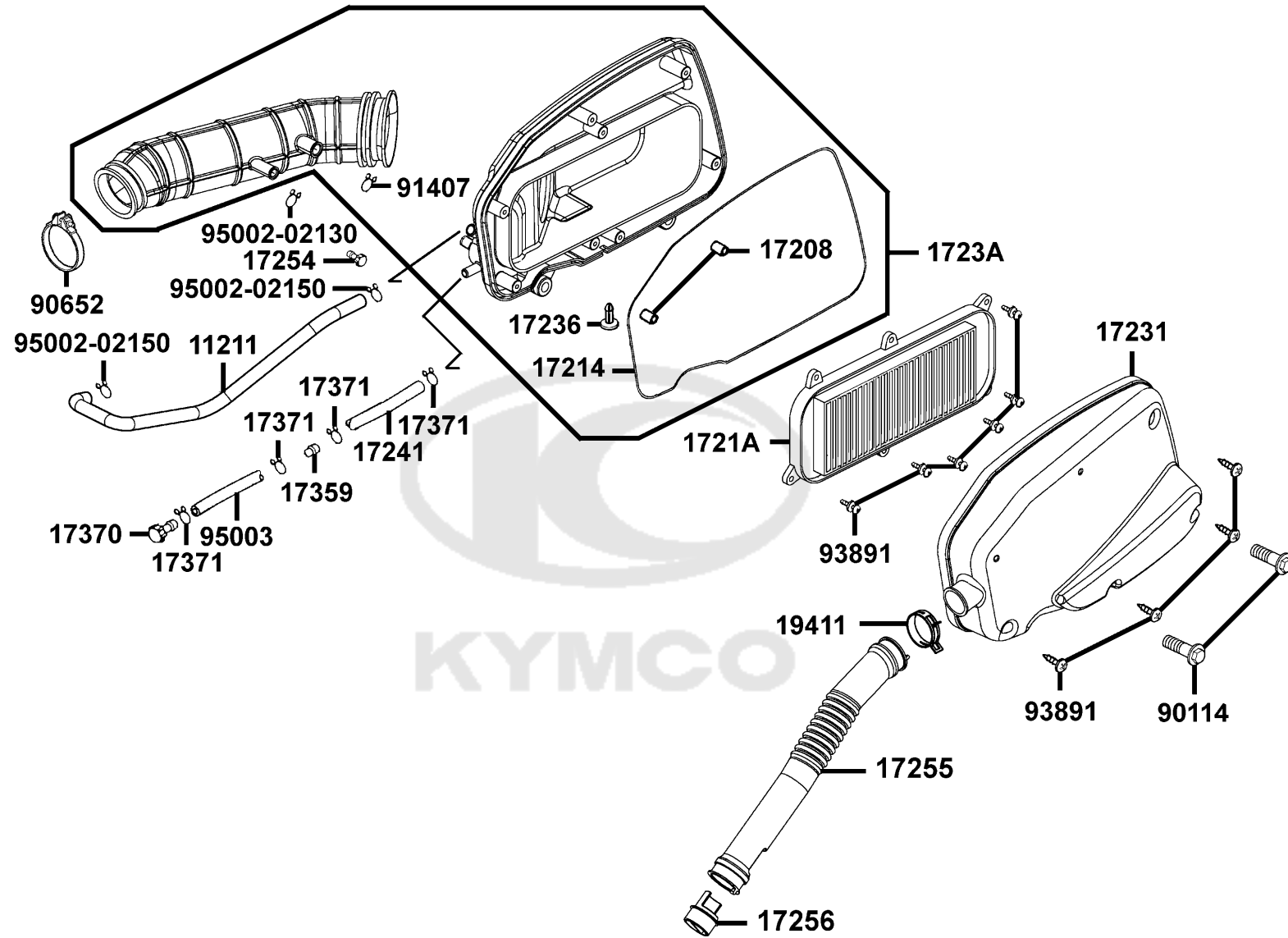
Sales mark	Ref no	Part no	Description	Reg description	Regd no	F12
	17212	17212-LDB2-E00	SAEL C LUGGAGE BOX	SAEL C LUGGAGE BOX	1	
	33900	33900-KFBF-900	LIGHT ASSY LUGGAGE BOX	LIGHT ASSY LUGGAGE BOX	1	
	34909	34909-KFBF-900	BULB WEDGE BASE	BULB WEDGE BASE	1	
	64206	64206-MLJ0-001	NUT SPEED 4MM	NUT SPEED 4MM	3	
	77105	77105-GFS6-001	HOOK R HELMET	HOOK R HELMET	1	
	77106	77106-GFS6-001	HOOK L HELMET	HOOK L HELMET	1	
	80104	80104-LDB2-E00	PLATE C SPLASH GUARD	PLATE C SPLASH GUARD	1	
**	81200	81200-LBA2-E00	CARRIER RR	CARRIER RR	1	
	81201	81201-LBA2-E00	PLUG BAR RR CARRIER	PLUG BAR RR CARRIER	1	
	81252	81252-LDB2-E00	COVER SEAT CABLE MAINT	COVER SEAT CABLE MAINT	1	
	81254	81254-LDB2-E00	COVER CARB MAINT	COVER CARB MAINT	1	
	81255	81255-LDB2-E00	BAG LUGGAGE	BAG LUGGAGE	1	
	81256	81256-LDB2-E00	HEAT GUARD A LUGGAGE BOX	HEAT GUARD A LUGGAGE BOX	1	
	81257	81257-LDB2-E00	HEAT GUARD B LUGGAGE BOX	HEAT GUARD B LUGGAGE BOX	1	
	81258	81258-LDB2-E00	HEAT GUARD C LUGGAGE BOX	HEAT GUARD C LUGGAGE BOX	1	
	81259	81259-LDB2-E00	HEAT GUARD D LUGGAGE BOX	HEAT GUARD D LUGGAGE BOX	1	
	81260	81260-LDB2-E00	BOX ASSY LUGGAGE	BOX ASSY LUGGAGE	1	
	81261	81261-LDB2-E00	HEAT GUARD E LUGGAGE BOX	HEAT GUARD E LUGGAGE BOX	1	
	81262	81262-LDB2-E00	HEAT GUARD F LUGGAGE BOX	HEAT GUARD F LUGGAGE BOX	1	
**	83500	83500-LBA2-E00	COVER R BODY	COVER R BODY	1	



Sales mark	Ref no	Part no	Description	Reg description	Regd no	F12
**	83520	83520-LBA2-E00	COVER R SIDE	COVER R SIDE	1	
**	83600	83600-LBA2-E00	COVER L BODY	COVER L BODY	1	
**	83620	83620-LBA2-E00	COVER L SIDE	COVER L SIDE	1	
**	83750	83750-LBA2-E00	COVER RR CENTER	COVER RR CENTER	1	
	90105	90105-KHB4-900	BOLT WASH M8*60	BOLT WASH M8*60	2	
	90106	90106-KFA6-900	BOLT WASH 8*75	BOLT WASH 8*75	2	
	90111	90111-KED9-900	SCREW PAN 6*14	SCREW PAN 6*14	6	
	90114	90114-LBA2-E00	SCREW PAN 6*30	SCREW PAN 6*30	2	
	90215	90215-KKC4-900	NUT CAP 6MM	NUT CAP 6MM	3	
	90302	90302-SDA4-004	NUT SPRING 4MM	NUT SPRING 4MM	10	
	90305	90305-GHK8-001	NUT CLIP 6MM	NUT CLIP 6MM	2	
	90677	90677-GAR1-004	NUT CLIP 5MM	NUT CLIP 5MM	4	
	93404	93404-06016-06	BOLT WASHER 6*16	BOLT WASHER 6*16	2	
	93891	93891-06010-07	SCREW WASHER 6X10	SCREW WASHER 6X10	2	
	93903-34360	93903-34360	SCREW TAPPING 4*12	SCREW TAPPING 4*12	2	
	93903-GFY6	93903-GFY6-900	SCREW TAPP 4*14	SCREW TAPP 4*14	2	
	94591	94591-27000	CLIP 2*100	CLIP 2*100	1	



Sales mark	Ref no	Part no	Description	Reg description	Regd no	F13
11211		11211-KKC4-900	TUBE BREATHER	TUBE BREATHER	1	
17208		17208-GAR1-011	COLLAR AIR/C SET	COLLAR AIR/C SET	2	
17214		17214-LDB2-E00	SEAL CASE	SEAL CASE	1	
1721A		1721A-KKC3-900	ELEMENT ASSY AIR/C	ELEMENT ASSY AIR/C	1	
17231		17231-LFG2-E00	COVER COMP AIR/C	COVER COMP AIR/C	1	
17236		17236-KFBF-910	PLATE	PLATE	1	
1723A		1723A-LFG2-E00	CASE ASSY.. AIR/C	CASE ASSY.. AIR/C	1	
17241		17241-LDF2-900	TUBE AIR/C COLLECT	TUBE AIR/C COLLECT	1	
17254		17254-KACA-P00	PLUG AIR/C CONN TUBE	PLUG AIR/C CONN TUBE	1	
17255		17255-LDB2-E00	DUCT COMP	DUCT COMP	1	
17256		17256-LDB2-E00	PLUG AIR/C DUCT	PLUG AIR/C DUCT	1	
17359		17359-4K19-671	JOINT BREATHER TUBE	JOINT BREATHER TUBE	1	
17370		17370-4K19-701	PLUG BREATHER TUBE	PLUG BREATHER TUBE	1	
17371		17371-1D74-671	CLIP BREATHER TUBE	CLIP BREATHER TUBE	4	
19411		19411-LFG2-E00	CLIP ASSY AIR/C DUCT	CLIP ASSY AIR/C DUCT	1	
90114		90114-GDM4-011	BOLT FLANGE SH 6*28	BOLT FLANGE SH 6*28	2	
90652		90652-KHE7-900	BAND CONNECTING TUBE	BAND CONNECTING TUBE	1	
91407		91407-SGA7-004	CLAMP 17.0 FUEL HOSE	CLAMP 17.0 FUEL HOSE	1	
93891		93891-05016-00	SCREW WASHER 5*16	SCREW WASHER 5*16	10	
95002-02130		95002-02130	CLIP B12.5 TUBE	CLIP B12.5 TUBE	1	

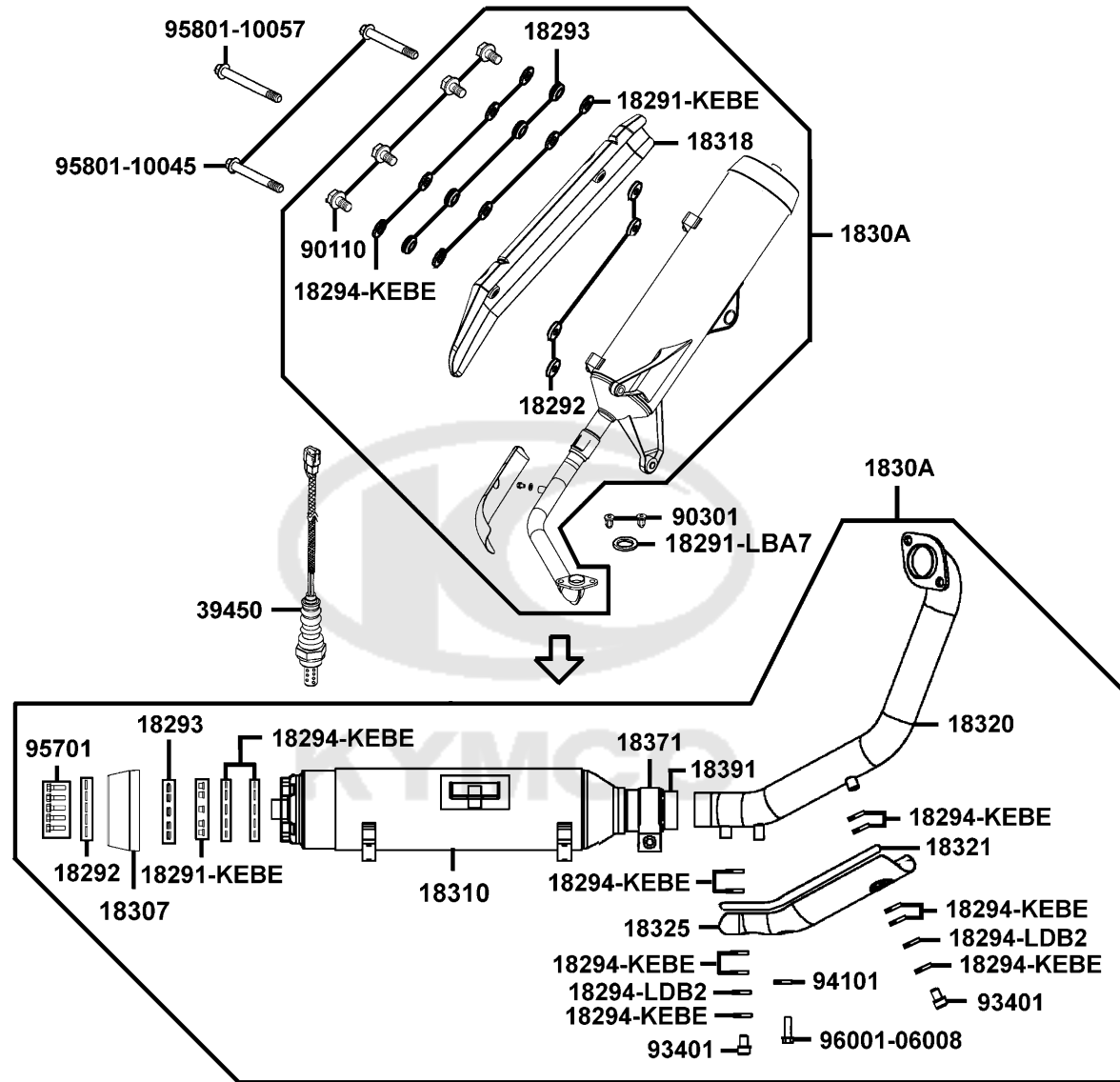


Sales mark	Ref no	Part no	Description	Reg description	Regd no	<b>F13</b>
------------	--------	---------	-------------	-----------------	---------	------------

95002-02150		95002-02150	CLIP B14.5 TUBE	CLIP B14.5 TUBE	2	
95003		95003-23024-60	V TUBE 8*12*240	V TUBE 8*12*240	1	



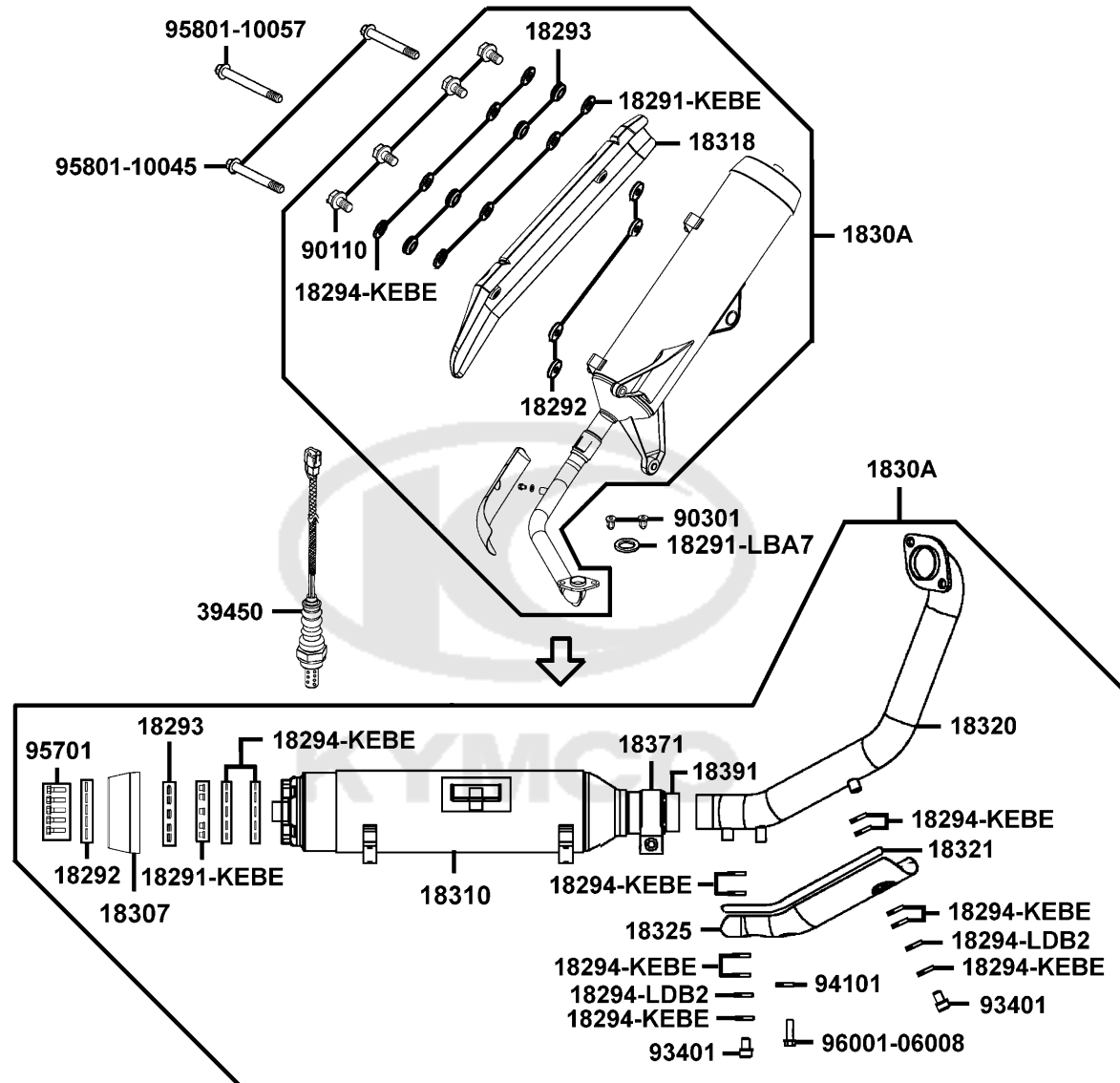
Exhaust Muffler





Sales mark	Ref no	Part no	Description	Reg description	Regd no	F14
	18291-KEBE	18291-KEBE-900	COLLAR	COLLAR	9	
	18291-LBA7	18291-LBA7-900	GASKET EXH PIPE	GASKET EXH PIPE	1	
	18292	18292-KEBE-900	PACKING PROTECTOR	PACKING PROTECTOR	9	
	18293	18293-KEBE-900	RUBBER PKG PROTECTOR	RUBBER PKG PROTECTOR	9	
	18294-KEBE	18294-KEBE-900	PACKING PROTECTOR	PACKING PROTECTOR	24	
	18294-LDB2	18294-LDB2-900	PACKING INNER PROTECTOR	PACKING INNER PROTECTOR	2	
**	18307	18307-LDB2-E00	TAIL CAP MUFFLER	TAIL CAP MUFFLER	1	
**	1830A	1830A-LFG2-E00	MUFFLER ASSY.. EXHAUST	MUFFLER ASSY.. EXHAUST	1	
	18310	18310-LFG2-E00	MUFFLER COMP.	MUFFLER COMP.	1	
**	18318	18318-LBA2-E01	PROTECTOR MUFFLER	PROTECTOR MUFFLER	1	
	18320	18320-LFG2-E00	PIPE EXHAUST	PIPE EXHAUST	1	
	18321	18321-LDB2-900	INNER PROTECTOR EXE PIPE	INNER PROTECTOR EXE PIPE	1	
**	18325	18325-LDB2-900	PROTECTOR EXH PIPE	PROTECTOR EXH PIPE	1	
	18371	18371-LDB2-E00	BAND MUFFLER	BAND MUFFLER	1	
	18391	18391-LDB2-E00	GASKET	GASKET	1	
	39450	39450-LDF2-800	O2 SENSOR	O2 SENSOR	1	
	90110	90110-KEBE-900	SCREW SPECIAL 6*22	SCREW SPECIAL 6*22	4	
	90301	90301-GFY6-901	NUT (HEX) CAP 8MM	NUT (HEX) CAP 8MM	2	
	93401	93401-LDB2-900	BOLT WASHER 6*26	BOLT WASHER 6*26	2	
	94101	94101-06700	WASHER PLAIN 6MM	WASHER PLAIN 6MM	1	

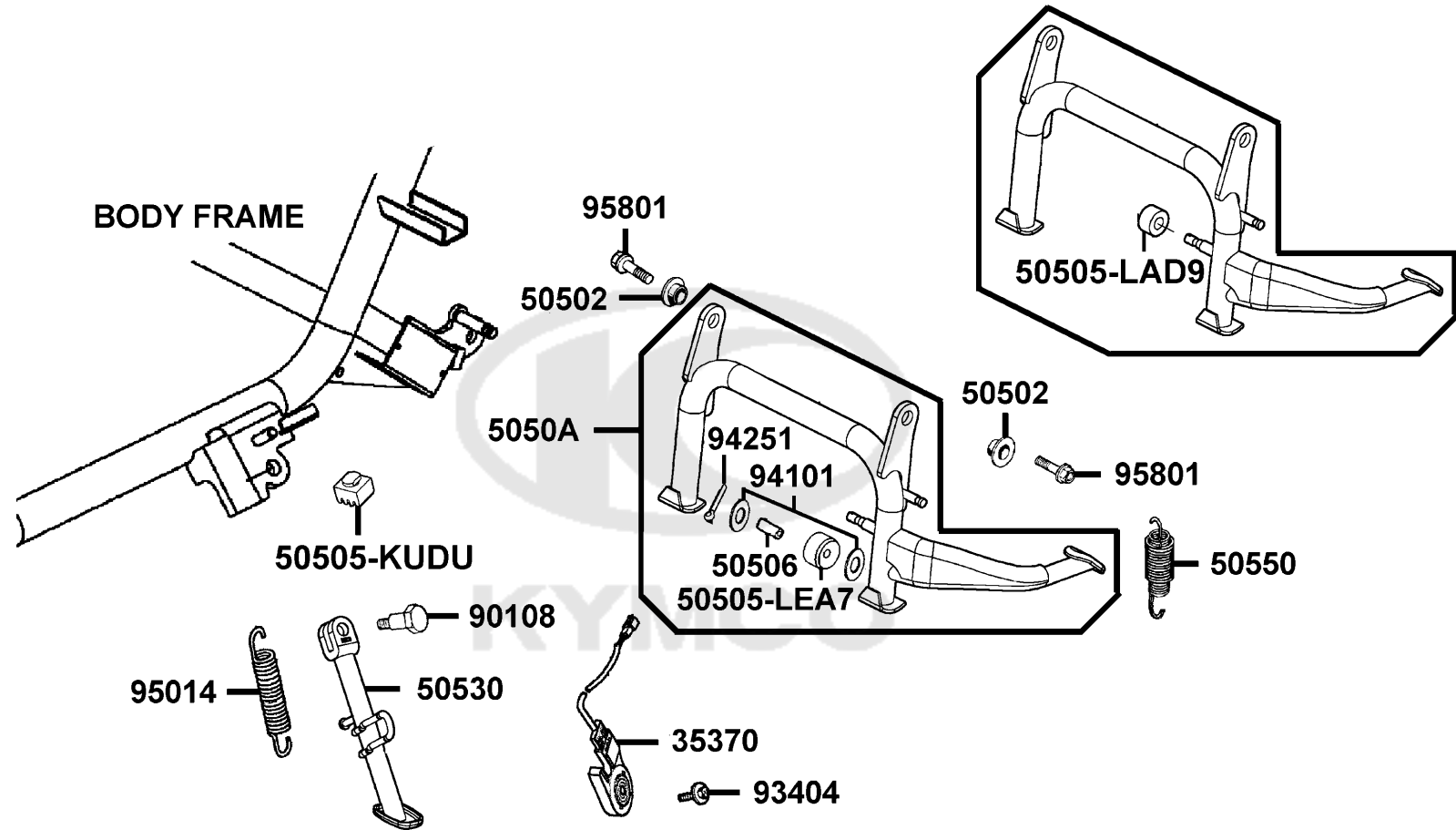
Exhaust Muffler



Sales mark	Ref no	Part no	Description	Reg description	Regd no	<b>F14</b>
------------	--------	---------	-------------	-----------------	---------	------------

95701	95701-06022-06	95701-06022-06	BOLT FLANGE 6*22	BOLT FLANGE 6*22	5	
95801-10045	95801-10045-06	95801-10045-06	BOLT FLANGE 10*45 (G)	BOLT FLANGE 10*45 (G)	2	
95801-10057	95801-10057-06	95801-10057-06	BOLT FLANGE 10*57 (G)	BOLT FLANGE 10*57 (G)	1	
96001-06008	96001-06008-07	96001-06008-07	BOLT FLANGE 6*8	BOLT FLANGE 6*8	1	

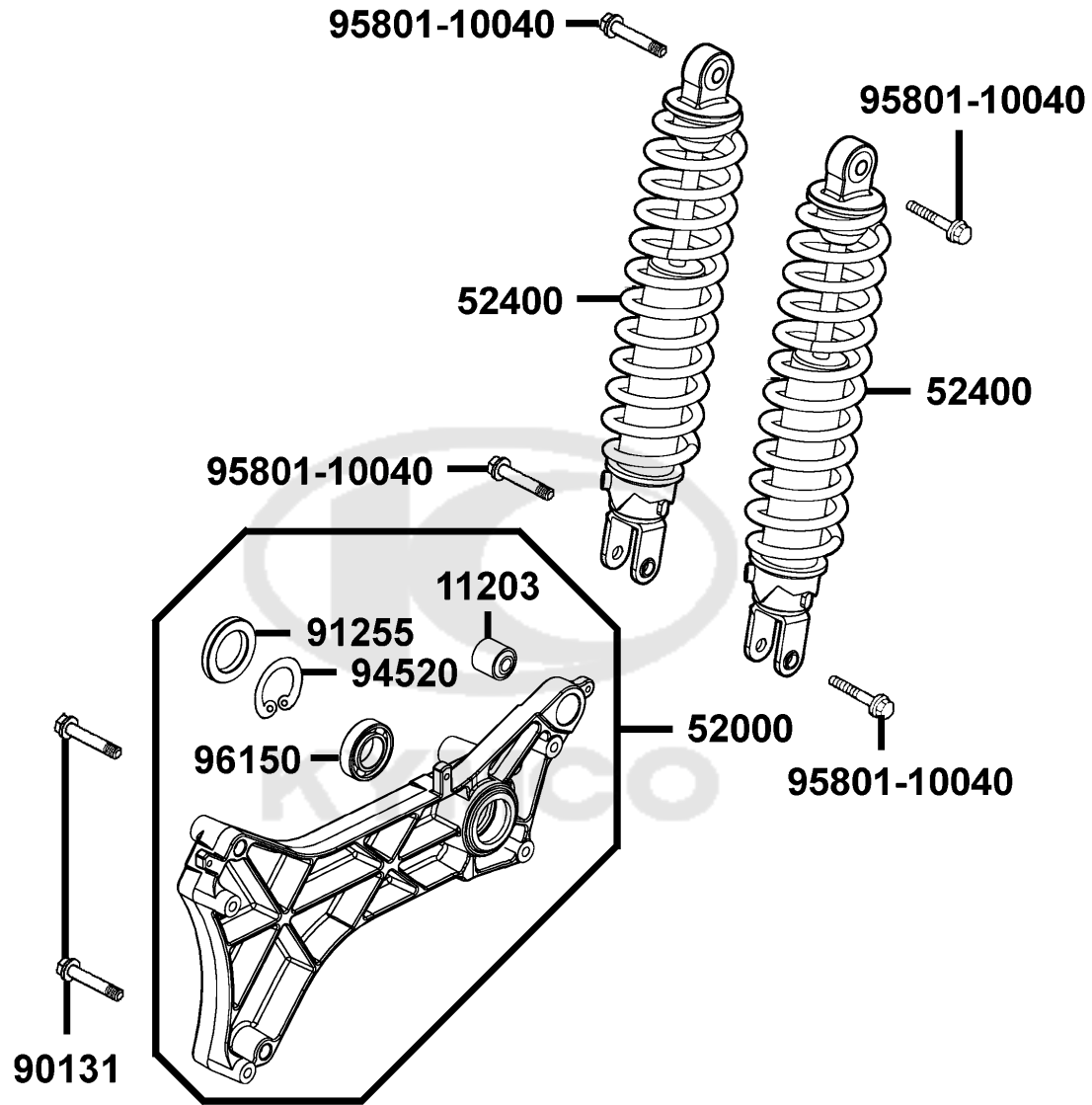




Sales mark	Ref no	Part no	Description	Reg description	Regd no	F15
35370		35370-KEC8-E00	SW UNIT SIDE STAND	SW UNIT SIDE STAND	1	
50502		50502-GFY6-901	COLLAR MAIN STAND	COLLAR MAIN STAND	2	
50505-KUDU		50505-KUDU-900	STOPPER RUBBER STAND	STOPPER RUBBER STAND	1	
50505-LAD9		50505-LAD9-900	STOPPER RUBBER	STOPPER RUBBER	1	
50505-LEA7		50505-LEA7-E00	STOPPER RUBBER	STOPPER RUBBER	1	
50506		50506-KHE7-E00	COLLAR STOPPER RUBBER	COLLAR STOPPER RUBBER	1	
5050A		5050A-LDB2-E00	STAND ASSY MAIN	STAND ASSY MAIN	1	
50530		50530-LDB2-E00	BAR SIDE STAND	BAR SIDE STAND	1	
50550		50550-KKC2-E00	SPRING ASSY MAIN STAND	SPRING ASSY MAIN STAND	1	
90108		90108-KKC4-900	SCREW SIDE STAND PIVOT	SCREW SIDE STAND PIVOT	1	
93404		93404-06016-06	BOLT WASHER 6*16	BOLT WASHER 6*16	1	
94101		94101-08700	WASHER PLAIN 8MM	WASHER PLAIN 8MM	2	
94251		94251-08400	PIN LOCK 8MM	PIN LOCK 8MM	1	
95014		95014-72204	SPRING B1 SIDE STAND	SPRING B1 SIDE STAND	1	
95801		95801-10025-08	BOLT FLANGE 10*25	BOLT FLANGE 10*25	2	

F16

Rear Cushion

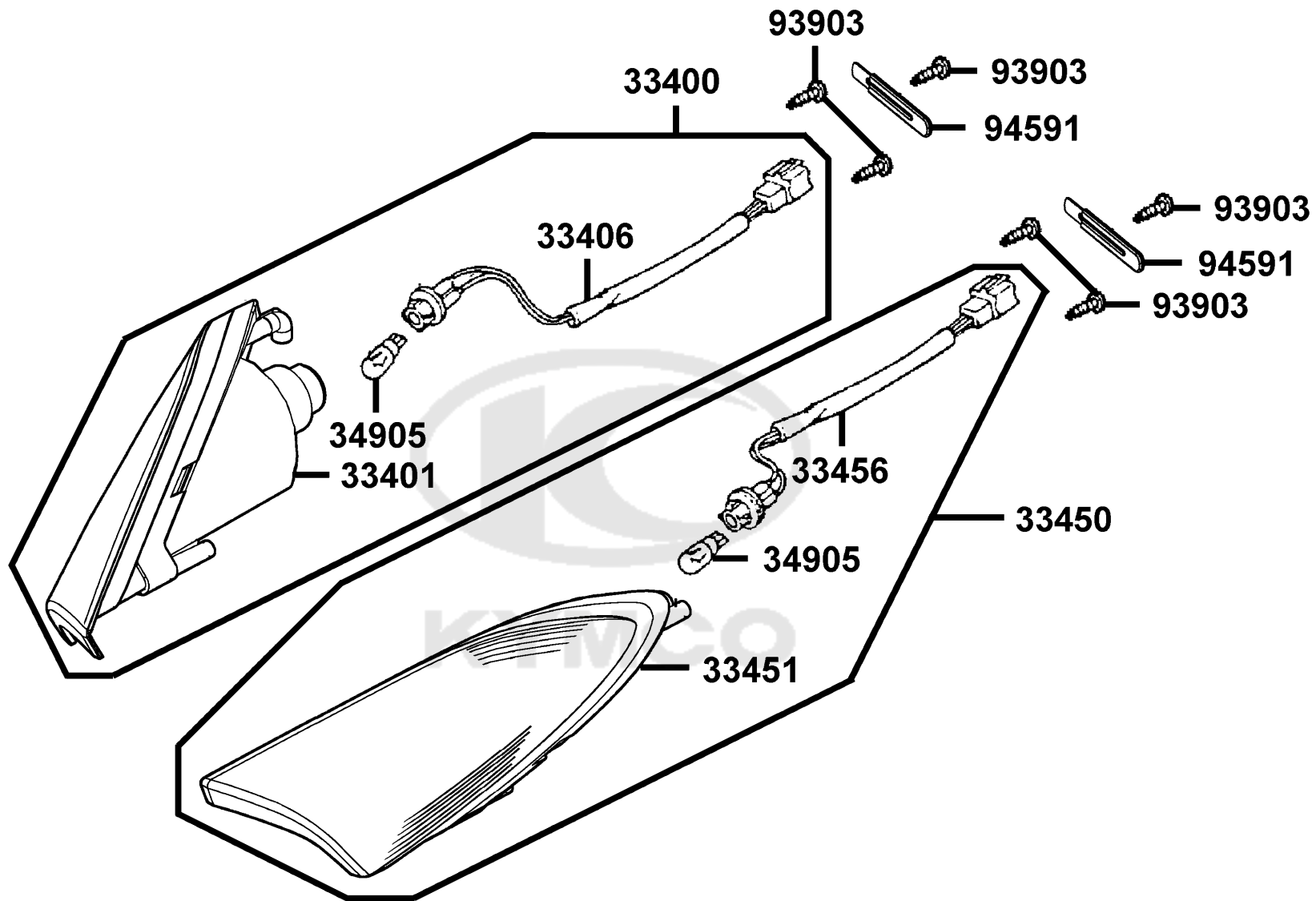


Sales mark	Ref no	Part no	Description	Reg description	Regd no	<b>F16</b>
	11203	11203-LBA2-E00	RUB BUSH L CASE	RUB BUSH L CASE	1	
**	52000	52000-LDB2-E00	FORK ASSY REAR	FORK ASSY REAR	1	
**	52400	52400-LDB2-E00	CUSHION ASSY R RR	CUSHION ASSY R RR	2	
	90131	90131-LFG2-E00	BOLT FLANGE 8*55(Cr)	BOLT FLANGE 8*55(Cr)	2	
	91255	91255-KHE7-900	OIL SEAL 34*52*7	OIL SEAL 34*52*7	1	
	94520	94520-47000	CIR CLIP IN 47	CIR CLIP IN 47	1	
	95801-10040	95801-10040-02	BOLT FLANGE 10*40	BOLT FLANGE 10*40	4	
	96150	96150-62040-10	BEARING BALL RADIAL 6204	BEARING BALL RADIAL 6204	1	



F17

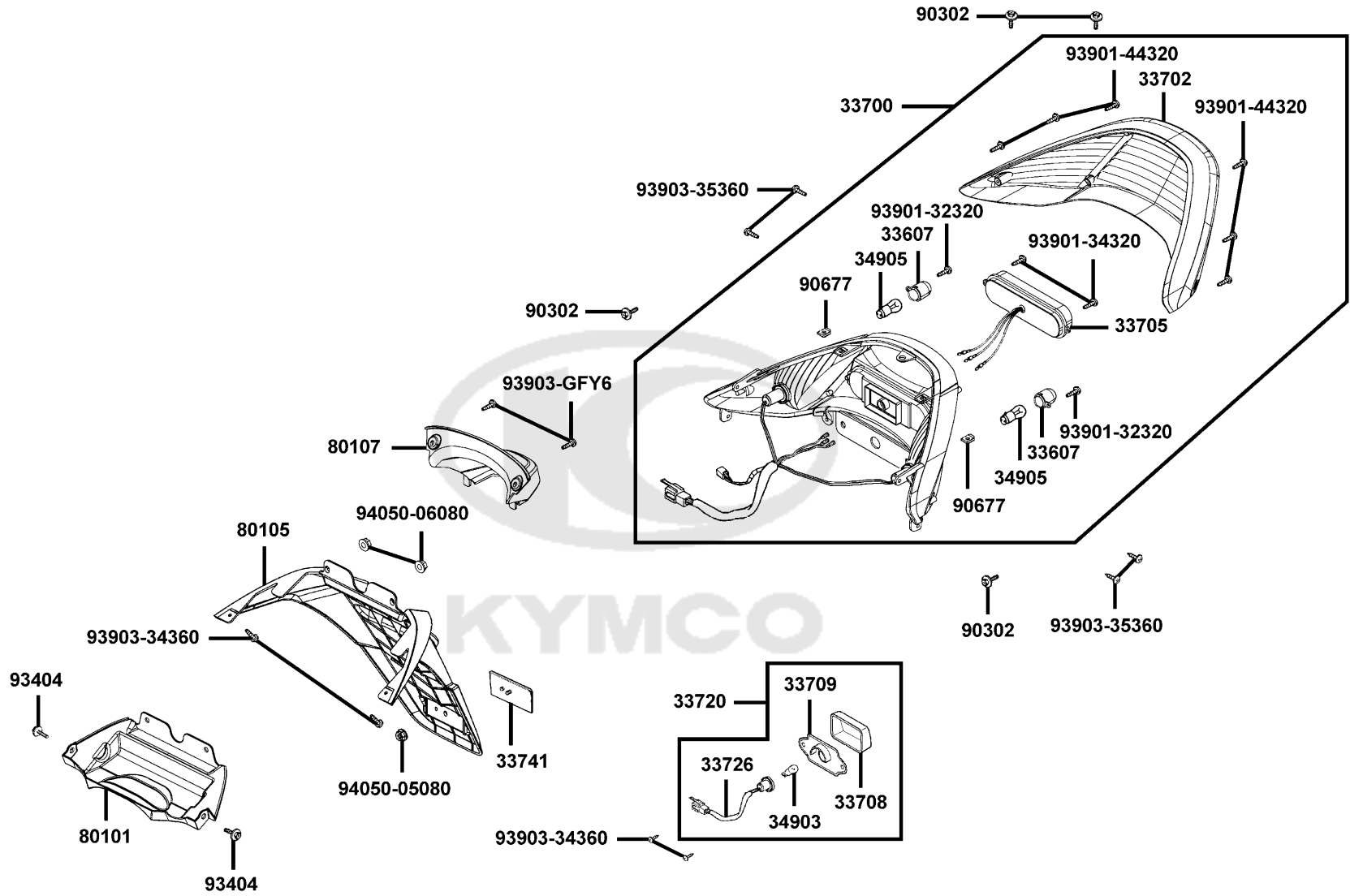
Front Winker



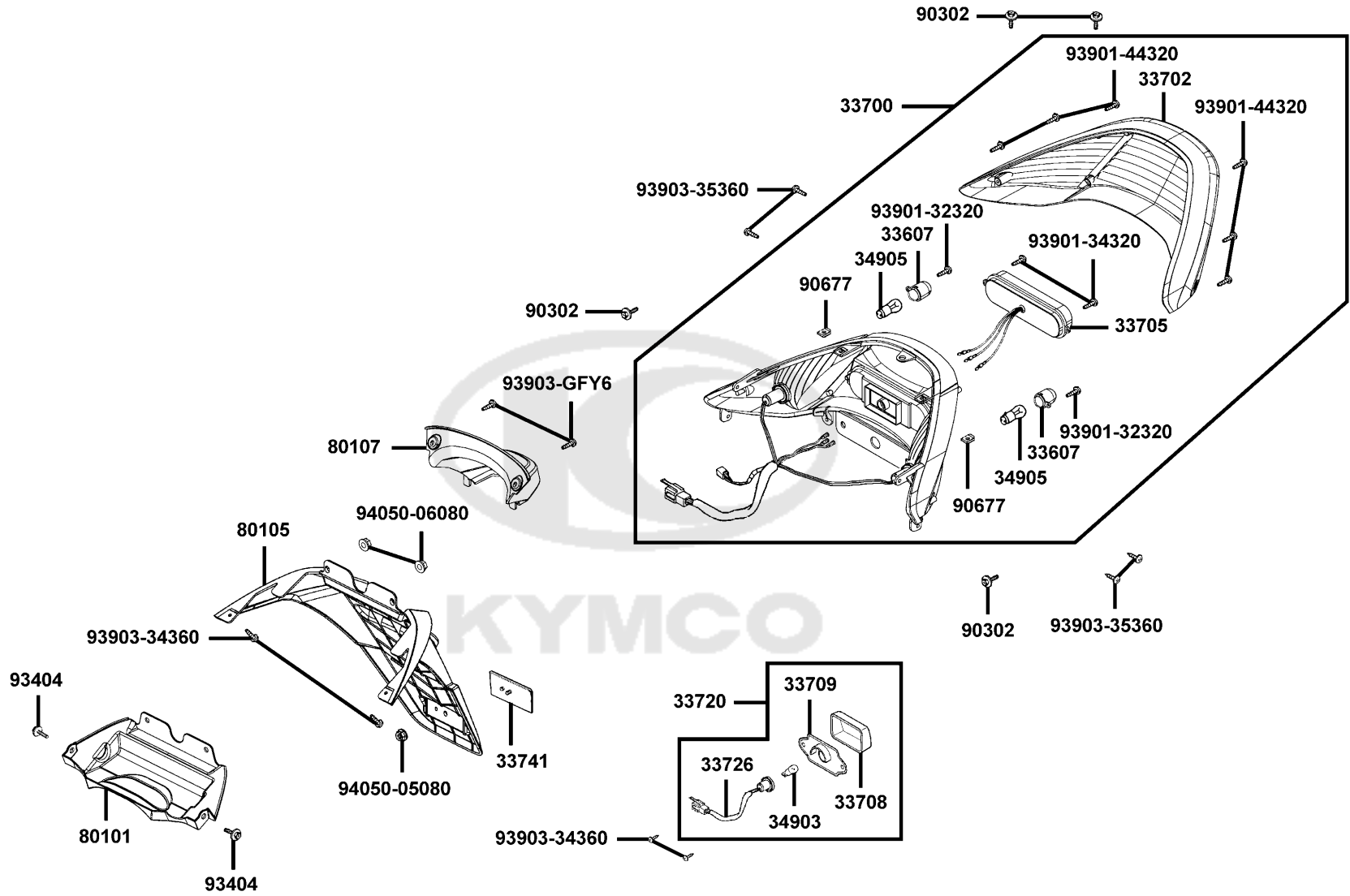


Sales mark	Ref no	Part no	Description	Reg description	Regd no	F17
	33400	33400-LBA2-E00	WINKER ASSY R FR	WINKER ASSY R FR	1	
	33401	33401-LBA2-E00	UNIT WINKER R FR	UNIT WINKER R FR	1	
	33406	33406-LBA2-E00	SOCKET WINKER R	SOCKET WINKER R	1	
	33450	33450-LBA2-E00	WINKER ASSY L FR	WINKER ASSY L FR	1	
	33451	33451-LBA2-E00	UNIT WINKER L FR	UNIT WINKER L FR	1	
	33456	33456-LBA2-E00	SOCKET WINKER L	SOCKET WINKER L	1	
	34905	34905-KPCP-900	BLUB WINKER 12V10W	BLUB WINKER 12V10W	2	
	93903	93903-34360	SCREW TAPPING 4*12	SCREW TAPPING 4*12	6	
	94591	94591-27000	CLIP 2*100	CLIP 2*100	2	





Sales mark	Ref no	Part no	Description	Reg description	Regd no	F18
	33607	33607-KKD7-E00	INNER LENS WINKER	INNER LENS WINKER	2	
	33700	33700-LBA2-E00	LIGHT ASSY RR COMB	LIGHT ASSY RR COMB	1	
	33702	33702-LBA2-E00	LENS TAIL LIGHT	LENS TAIL LIGHT	1	
	33705	33705-LBA2-305	LIGHT COMB LED	LIGHT COMB LED	1	
	33708	33708-KHE7-E00	LENS LICENSE	LENS LICENSE	1	
	33709	33709-KHE7-E00	BASE LICENSE	BASE LICENSE	1	
	33720	33720-LBB5-E00	LIGHT ASSY LICENSE	LIGHT ASSY LICENSE	1	
	33726	33726-LBB5-E00	SCOKET COMP	SCOKET COMP	1	
	33741	33741-KHC5-M00	REFLEX REFLECTOR	REFLEX REFLECTOR	1	
	34903	34903-KPCP-900	BULB POSITION	BULB POSITION	1	
	34905	34905-KPCP-900	BLUB WINKER 12V10W	BLUB WINKER 12V10W	2	
	80101	80101-LBA2-E00	FENDER RR INNER	FENDER RR INNER	1	
**	80105	80105-LBA2-E00	FENDER RR	FENDER RR	1	
	80107	80107-LBA2-E00	COVER LICENSE LIGHT	COVER LICENSE LIGHT	1	
	90302	90302-GFY6-940	BOLT WASHER 5*16	BOLT WASHER 5*16	4	
	90677	90677-GAR1-004	NUT CLIP 5MM	NUT CLIP 5MM	2	
	93404	93404-06016-06	BOLT WASHER 6*16	BOLT WASHER 6*16	3	
	93901-32320	93901-32320	SCREW TAPPING 3*12	SCREW TAPPING 3*12	2	
	93901-34320	93901-34320	SCREW TAPPING 4*12	SCREW TAPPING 4*12	2	
	93901-44320	93901-44320	SCREW TAPPING 4*12	SCREW TAPPING 4*12	6	



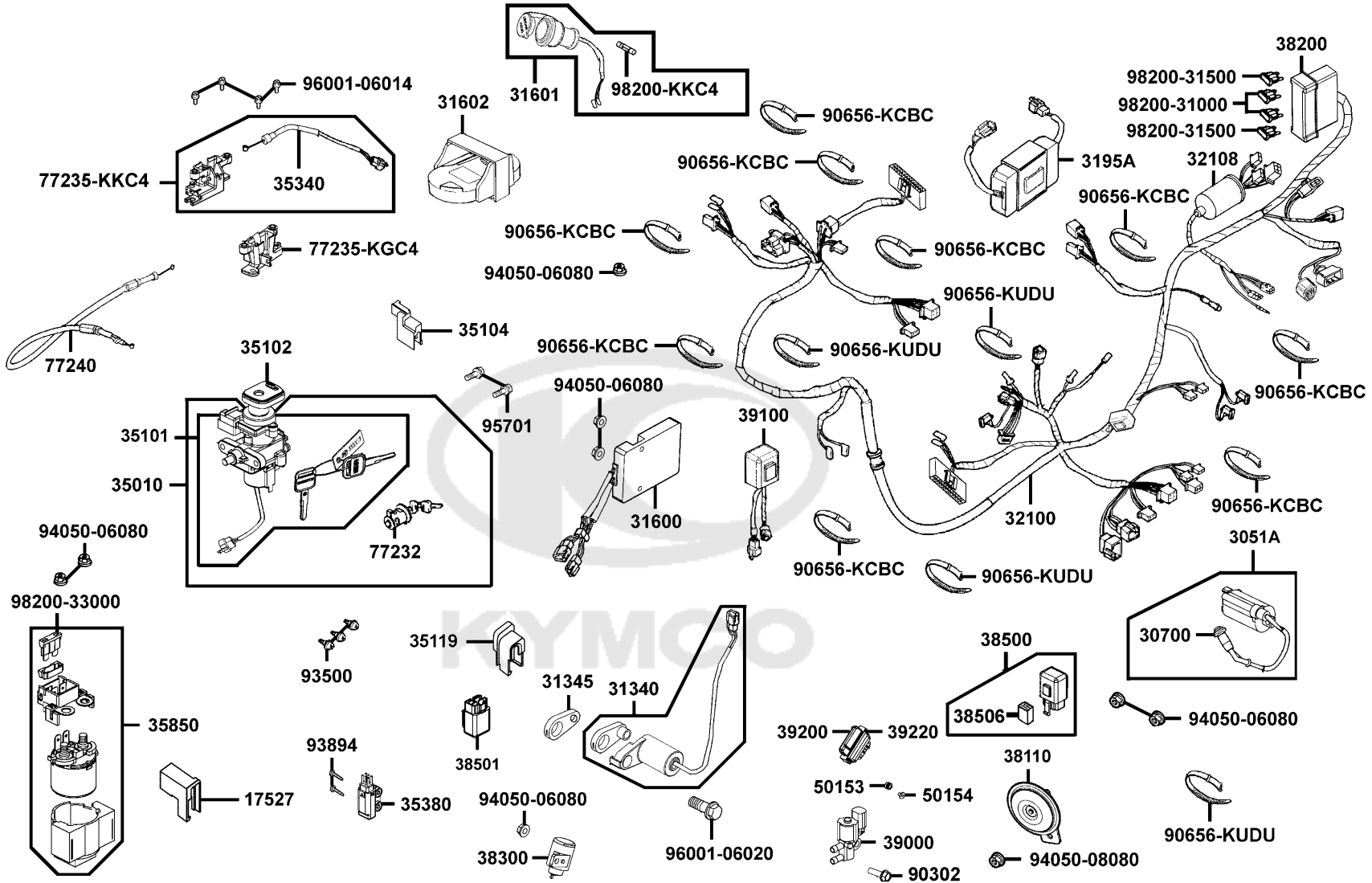
Sales mark	Ref no	Part no	Description	Reg description	Regd no	<b>F18</b>
------------	--------	---------	-------------	-----------------	---------	------------

93903-34360	93903-34360	93903-34360	SCREW TAPPING 4*12	SCREW TAPPING 4*12	4	
93903-35360	93903-35360	93903-35360	SCREW TAPPING 5*16	SCREW TAPPING 5*16	4	
93903-GFY6	93903-GFY6	93903-GFY6-900	SCREW TAPP 4*14	SCREW TAPP 4*14	2	
94050-05080	94050-05080	94050-05080	NUT FLANGE 5MM	NUT FLANGE 5MM	1	
94050-06080	94050-06080	94050-06080	NUT FLANGE 6MM	NUT FLANGE 6MM	2	





Sales mark	Ref no	Part no	Description	Reg description	Regd no	F19
17527		17527-LBA2-900	SLIDE COVER FUEL CAP	SLIDE COVER FUEL CAP	1	
3051A		3051A-LDF2-900	COIL ASSY IGNITION	COIL ASSY IGNITION	1	
30700		30700-KFC8-E0H	CAP ASSY NOISE SUPPRESOR	CAP ASSY NOISE SUPPRESOR	1	
31340		31340-LBA2-E0A	SENSOR FR WHEEL SPEED	SENSOR FR WHEEL SPEED	1	
31345		31345-LBA2-E00	WASHER WHEEL SPEED SENSOR	WASHER WHEEL SPEED SENSOR	1	
31600		31600-KED9-900	REG REC COMP	REG REC COMP	1	
31601		31601-LDF2-900	SOCKET COMP DC 12V	SOCKET COMP DC 12V	1	
31602		31602-KKC4-900	SOCKET COMP CELL-PHONE	SOCKET COMP CELL-PHONE	1	
3195A		3195A-LBA2-E00	HAZARD CONTROL ASSY	HAZARD CONTROL ASSY	1	
32100		32100-LFG2-E00	HARNES WIRE	HARNES WIRE	1	
32108		32108-GAR1-711	COVER HARNES WIRE	COVER HARNES WIRE	1	
35010		35010-LBA2-315-M1	KEY SET	KEY SET	1	
35010		35010-LBA2-315-M2	KEY SET	KEY SET	1	
35101		35101-LBA2-305-M1	SW SET COMB & LOCK	SW SET COMB & LOCK	1	
35101		35101-LBA2-305-M2	SW SET COMB & LOCK	SW SET COMB & LOCK	1	
35102		35102-LBA2-315-M1	SHUTTER MAGNETIC	SHUTTER MAGNETIC	1	
35102		35102-LBA2-315-M2	SHUTTER MAGNETIC	SHUTTER MAGNETIC	1	
35104		35104-KHC4-90A	PLATE COVER FUEL CAP CABLE	PLATE COVER FUEL CAP CABLE	1	
35104		35104-KHC4-90B	PLATE COVER FUEL CAP CABLE	PLATE COVER FUEL CAP CABLE	1	
35119		35119-KHC4-90A	COVER SEAT CABLE	COVER SEAT CABLE	1	

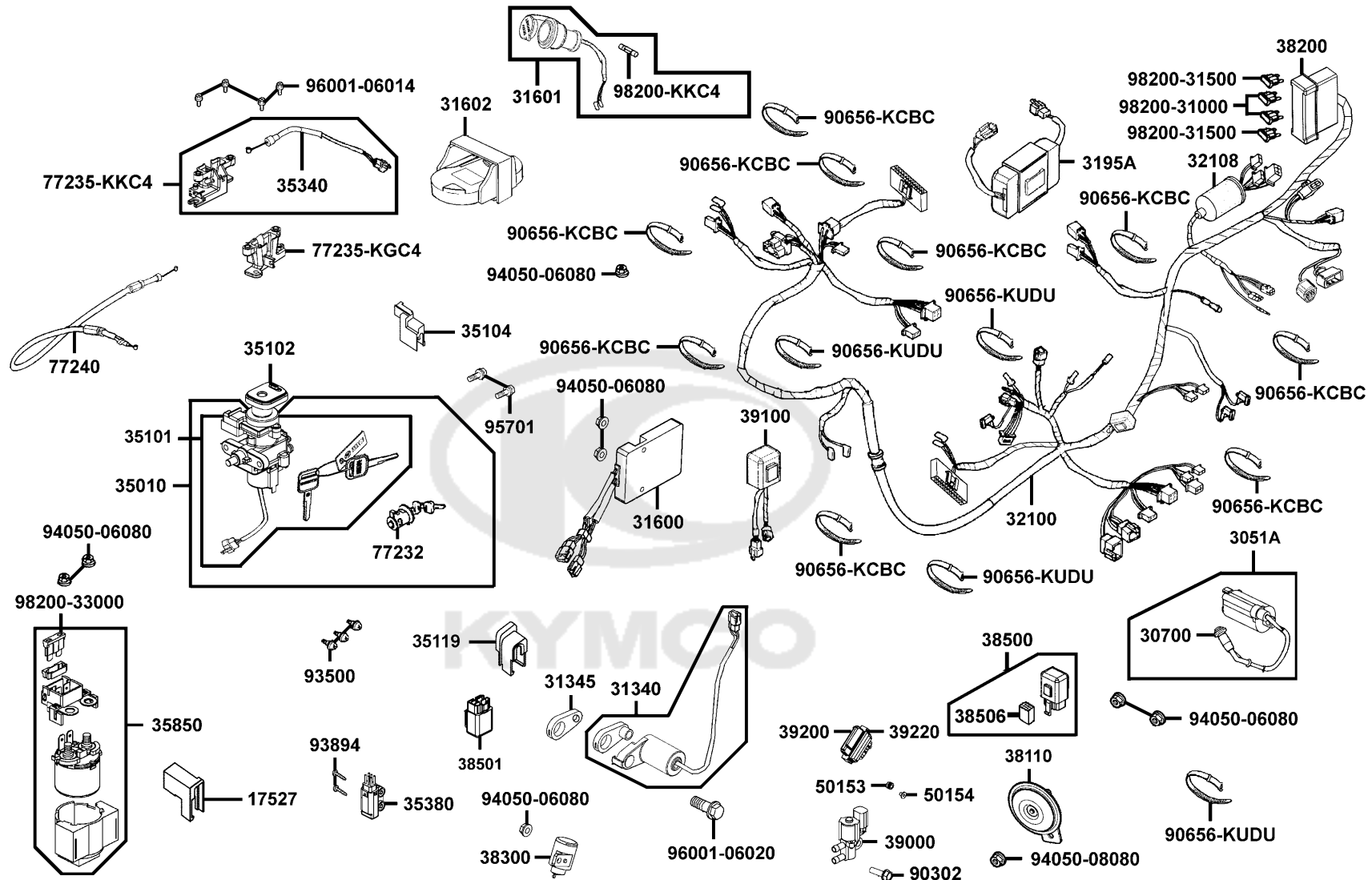




Sales mark	Ref no	Part no	Description	Reg description	Regd no	<b>F19</b>
	35119	35119-KHC4-90B	COVER SEAT CABLE	COVER SEAT CABLE	1	
	35340	35340-KKC4-80A	STOP SWITCH	STOP SWITCH	1	
	35340	35340-KKC4-80B	STOP SWITCH	STOP SWITCH	1	
	35380	35380-LDF2-900	SENSOR ANGLE DETECT	SENSOR ANGLE DETECT	1	
	35850	35850-LBA2-E00	SET START MAG	SET START MAG	1	
	38110	38110-KHB4-E0A	HORN COMP	HORN COMP	1	
	38110	38110-KHB4-E0B	HORN COMP	HORN COMP	1	
	38110	38110-KHB4-E0C	HORN COMP	HORN COMP	1	
	38200	38200-KHE7-900	BOX COMP FUSE	BOX COMP FUSE	1	
	38300	38300-LEA5-E0A	RELAY ASSY WINKER	RELAY ASSY WINKER	1	
	38500	38500-LGL3-90A	RELAY ASSY LIGHT/D402	RELAY ASSY LIGHT/D402	1	
	38500	38500-LGL3-90D	RELAY COMP. START	RELAY COMP. START	1	
	38501	38501-KHD8-900	RELAY ASSY LIGHT	RELAY ASSY LIGHT	1	
	38501	38501-KHD8-90A	RELAY ASSY LIGHT	RELAY ASSY LIGHT	1	
	38506	38506-KHD8-900	CUSHION START RELAY	CUSHION START RELAY	1	
	39000	39000-LDF2-800	VALVE UNIT SOLENOID	VALVE UNIT SOLENOID	1	
	39100	39100-KHD8-900	EMI FILTER MOTOR	EMI FILTER MOTOR	1	
	39200	39200-LFG2-800	ECU UNIT	ECU UNIT	1	
	39220	39220-LDF2-900	CUSHION CASE ECU	CUSHION CASE ECU	1	
	50153	50153-LDF2-900	RUBBER SOLENOID VALVE	RUBBER SOLENOID VALVE	1	



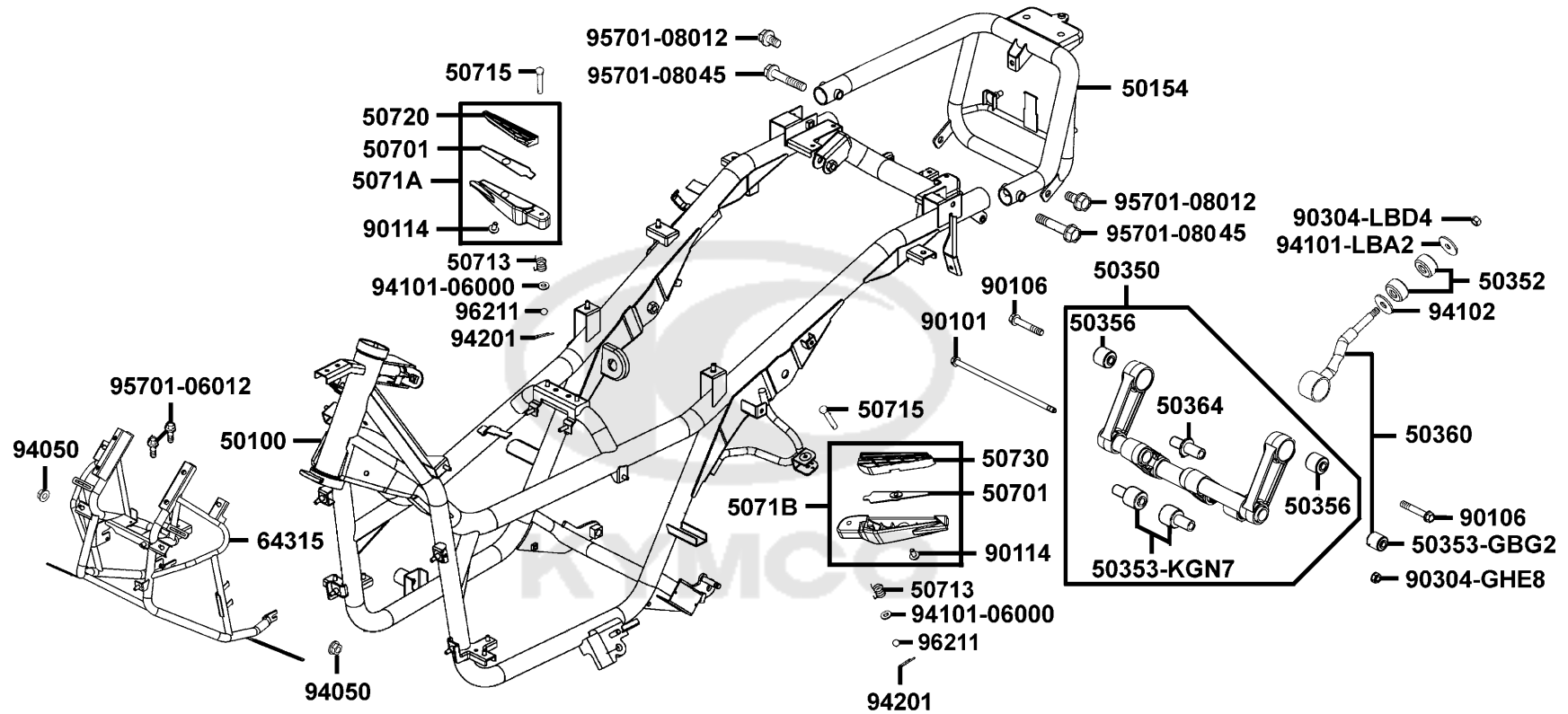
Sales mark	Ref no	Part no	Description	Reg description	Regd no	<b>F19</b>
	50154	50154-LDF2-900	COLLAR	COLLAR	1	
	77232	77232-GLW0-316-M1	LOCK SET FUEL LID	LOCK SET FUEL LID	1	
	77232	77232-GLW0-316-M2	LOCK SET FUEL LID	LOCK SET FUEL LID	1	
	77235-KGC4	77235-KGC4-E0A	SEAT CATCH	SEAT CATCH	1	
	77235-KGC4	77235-KGC4-E0B	SEAT CATCH	SEAT CATCH	1	
	77235-KKC4	77235-KKC4-80A	CATCH SET SEAT	CATCH SET SEAT	1	
	77235-KKC4	77235-KKC4-80B	CATCH SET SEAT	CATCH SET SEAT	1	
	77240	77240-LBA2-E00	CABLE SEAT LOCK	CABLE SEAT LOCK	1	
	90302	90302-KFC2-900	BOLT WASHER 5*25	BOLT WASHER 5*25	1	
	90656-KCBC	90656-KCBC-900	BAND OIL HANDLE	BAND OIL HANDLE	10	
**	90656-KUDU	90656-KUDU-900	BAND HARNESS WIRE	BAND HARNESS WIRE	3	
	93500	93500-KHC4-90A	SCREW PAN 5*10	SCREW PAN 5*10	3	
	93894	93894-04022-08	SCREW WASHER 4*22	SCREW WASHER 4*22	2	
	94050-06080	94050-06080	NUT FLANGE 6MM	NUT FLANGE 6MM	8	
	94050-08080	94050-08080	NUT FLANGE 8MM	NUT FLANGE 8MM	1	
	95701	95701-KHC5-E00	BOLT TORQUE 8*25	BOLT TORQUE 8*25	2	
	96001-06014	96001-06014-08	BOLT FLANGE 6*14	BOLT FLANGE 6*14	4	
	96001-06020	96001-06020-06	BOLT FLANGE SH 6*20	BOLT FLANGE SH 6*20	1	
	98200-31000	98200-31000	BLADE FUSE 10A	BLADE FUSE 10A	2	
	98200-31500	98200-31500	BLADE FUSE 15A	BLADE FUSE 15A	2	



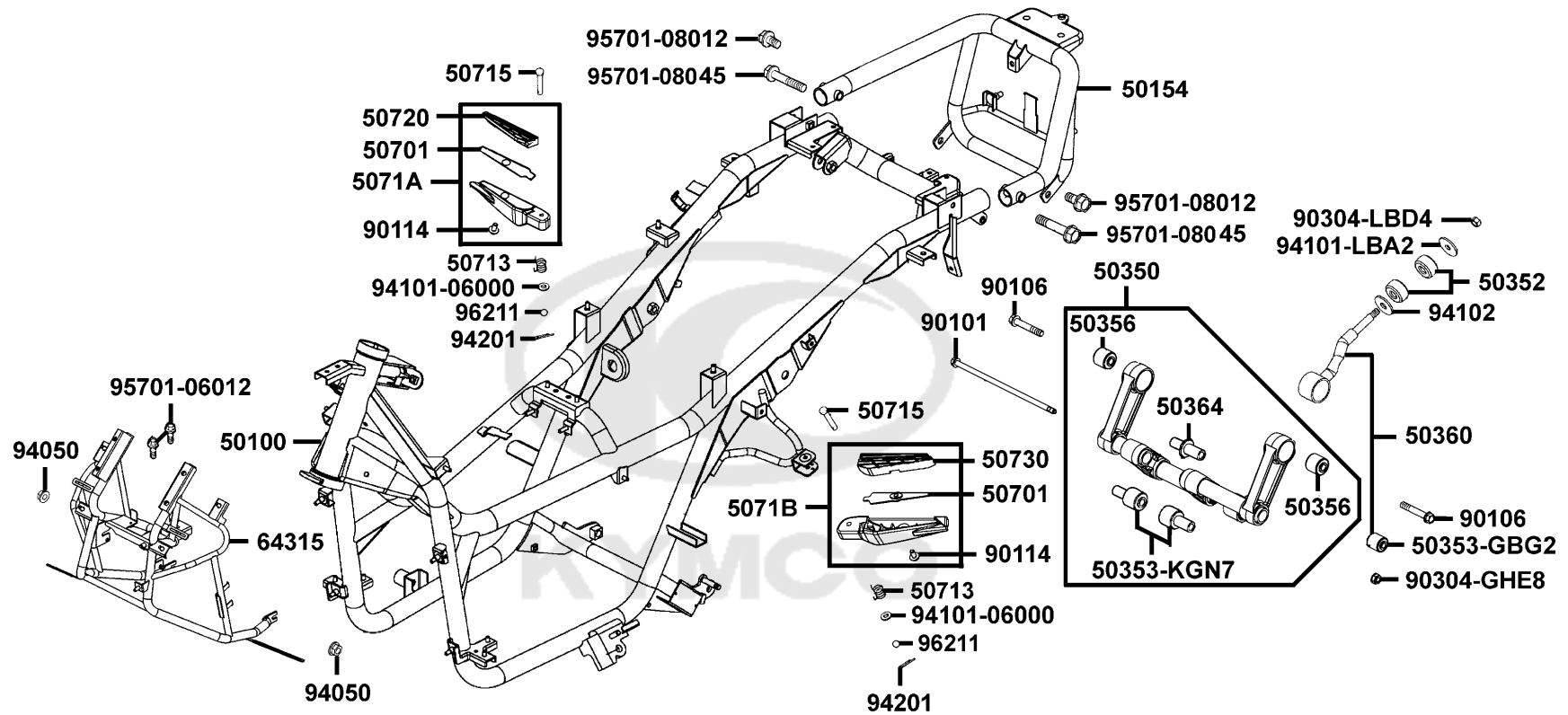
Sales mark	Ref no	Part no	Description	Reg description	Regd no	<b>F19</b>
------------	--------	---------	-------------	-----------------	---------	------------

98200-33000		98200-33000	BLADE FUSE 30A	BLADE FUSE 30A	1	
98200-KKC4		98200-KKC4-900	FUSE 0.8A	FUSE 0.8A	1	



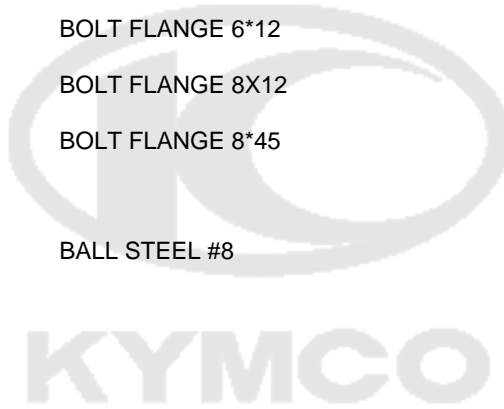


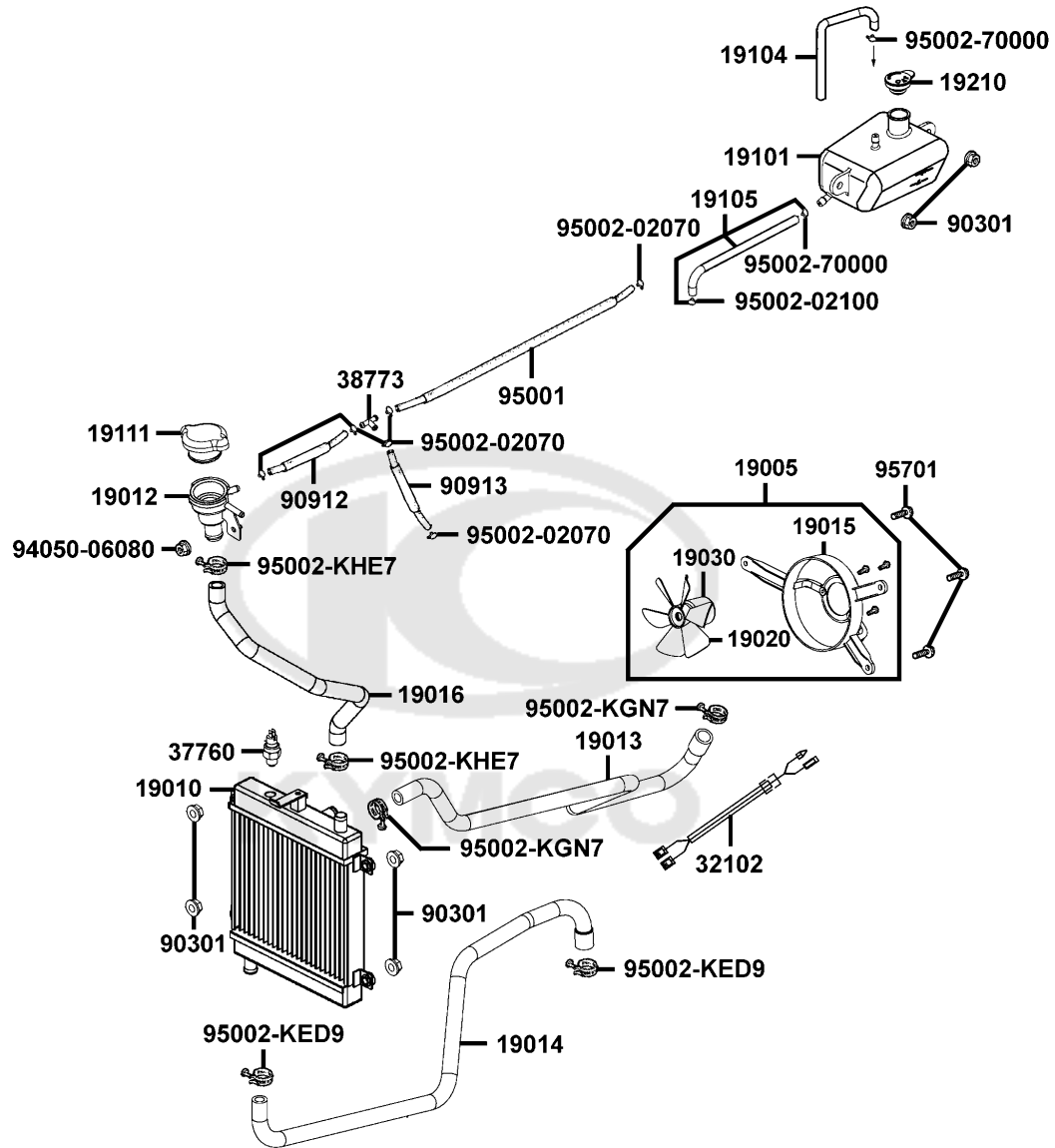
Sales mark	Ref no	Part no	Description	Reg description	Regd no	<b>F20</b>
50100		50100-LDF2-900	BODY COMP FRAME	BODY COMP FRAME	1	
50154		50154-LBA2-E00	STAY RR CARRIER	STAY RR CARRIER	1	
50350		50350-LDB2-E00	ENG HANGER COMP	ENG HANGER COMP	1	
50352		50352-LBA2-E00	RUBBER STOPPER	RUBBER STOPPER	2	
50353-GBG2		50353-GBG2-711	BUSH SWING LOCK	BUSH SWING LOCK	1	
50353-KGN7		50353-KGN7-901	BUSH A ENG HANGER	BUSH A ENG HANGER	2	
50356		50356-KHE7-E00	BUSH SWING LOCK	BUSH SWING LOCK	2	
50360		50360-LDB2-E00	TIE ROD ASSY ENG HANGER	TIE ROD ASSY ENG HANGER	1	
50364		50364-KHE7-E00	COLLAR B ENG HANGER	COLLAR B ENG HANGER	1	
50701		50701-LBA2-E00	STAY RR STEP	STAY RR STEP	2	
50713		50713-KEB7-900	SPRING	SPRING	2	
50715		50715-KEB7-900	PIN RR STEP	PIN RR STEP	2	
5071A		5071A-LFG2-E00	BAR R STEP ASSY	BAR R STEP ASSY	1	
5071B		5071B-LFG2-E00	BAR L STEP ASSY	BAR L STEP ASSY	1	
50720		50720-LBA2-E00	RUBBER R STEP	RUBBER R STEP	1	
50730		50730-LBA2-E00	RUBBER L STEP	RUBBER L STEP	1	
64315		64315-LDG7-800	BRKT FR COVER	BRKT FR COVER	1	
90101		90101-KNBN-200	BOLT FLANGE 10*275	BOLT FLANGE 10*275	1	
90106		90106-KHE7-E00	BOLT FLANGE 12*59	BOLT FLANGE 12*59	2	
90114		90114-KED9-900	SCREW PAN 6X12	SCREW PAN 6X12	2	





Sales mark	Ref no	Part no	Description	Reg description	Regd no	<b>F20</b>
	90304-GHE8	90304-GHE8-004	NUT U 10MM	NUT U 10MM	1	
	90304-LBD4	90304-LBD4-900	NUT U FLANGE 10MM	NUT U FLANGE 10MM	1	
	94050	94050-06080	NUT FLANGE 6MM	NUT FLANGE 6MM	2	
	94101-06000	94101-06000	WASHER PLAIN 6MM	WASHER PLAIN 6MM	2	
	94101-LBA2	94101-LBA2-E00	WASHER PLAIN 10.5*38*3.0	WASHER PLAIN 10.5*38*3.0	1	
	94102	94102-LBA2-E00	WASHER PLAIN 38*12.5*3	WASHER PLAIN 38*12.5*3	1	
	94201	94201-16150	PIN SPLIT 1.6*15	PIN SPLIT 1.6*15	2	
	95701-06012	95701-06012-08	BOLT FLANGE 6*12	BOLT FLANGE 6*12	2	
	95701-08012	95701-08012-08	BOLT FLANGE 8X12	BOLT FLANGE 8X12	2	
	95701-08045	95701-08045-08	BOLT FLANGE 8*45	BOLT FLANGE 8*45	2	
	96211	96211-08000	BALL STEEL #8	BALL STEEL #8	2	

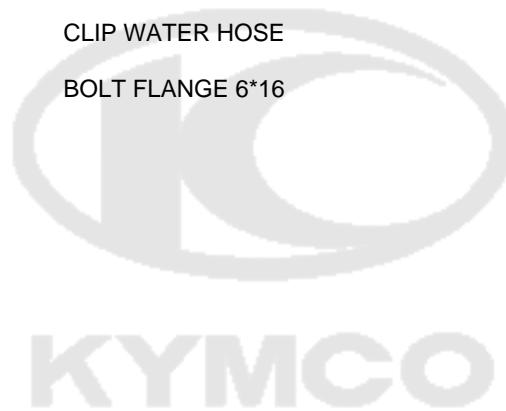




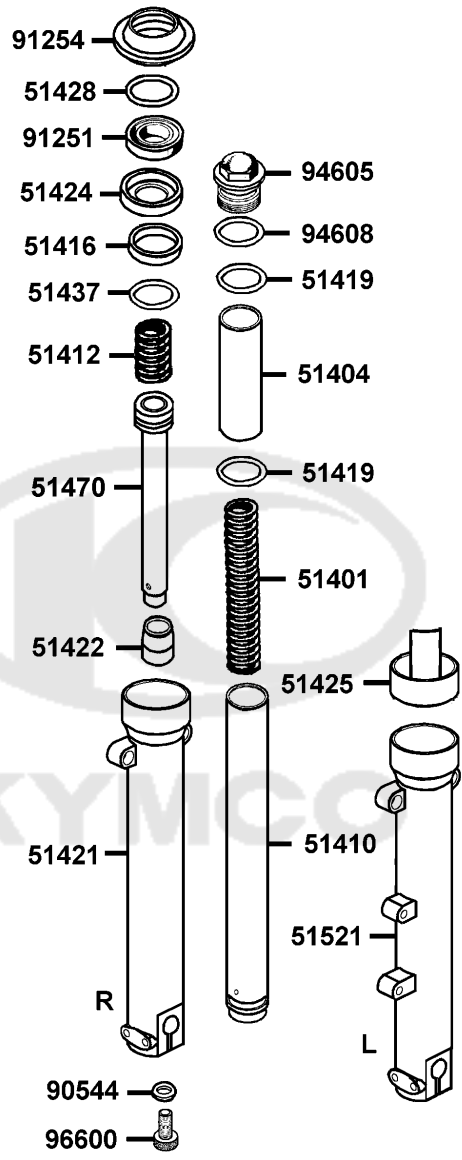
Sales mark	Ref no	Part no	Description	Reg description	Regd no	F21
	19005	19005-KKC4-900	SHROUD ASSY	SHROUD ASSY	1	
	19010	19010-LDB2-E00	RADIATOR COMP	RADIATOR COMP	1	
	19012	19012-KHD8-900	UNIT RADIATOR	UNIT RADIATOR	1	
	19013	19013-LDB2-E00	HOSE WATER INLET	HOSE WATER INLET	1	
	19014	19014-LDB2-E00	HOSE WATER OUTLET	HOSE WATER OUTLET	1	
	19015	19015-KKC4-900	SHROUD COMP	SHROUD COMP	1	
	19016	19016-LBA2-E00	HOSE EATER-UNIT CAP	HOSE EATER-UNIT CAP	1	
	19020	19020-KED9-900	FAN COOLING	FAN COOLING	1	
	19030	19030-KHD8-900	MOTOR ASSY FAN	MOTOR ASSY FAN	1	
	19101	19101-LBA2-E00	TANK RESERVE	TANK RESERVE	1	
	19104	19104-LBA2-E00	HOSE ASSY DRAIN	HOSE ASSY DRAIN	1	
	19105	19105-LBA2-E00	HOSE ASSY RESERVE-COOLER	HOSE ASSY RESERVE-COOLER	1	
	19111	19111-GBE2-004	CAP COMP	CAP COMP	1	
	19210	19210-KKC4-900	CAP RESERVE TANK	CAP RESERVE TANK	1	
	32102	32102-LBA2-E00	SUB CORD THERMO	SUB CORD THERMO	1	
	37760	37760-KHD8-900	SW ASSY THERMO	SW ASSY THERMO	1	
	38773	38773-PKB9-001	JOINT 3 WAY 3.5	JOINT 3 WAY 3.5	1	
	90301	90301-6D34-671	NUT FLANGE 6MM	NUT FLANGE 6MM	6	
	90912	90912-LBA2-E00	TUBE FUEL 3.5	TUBE FUEL 3.5	1	
	90913	90913-LDB2-E00	TUBE FUEL 3.5x1570	TUBE FUEL 3.5x1570	1	



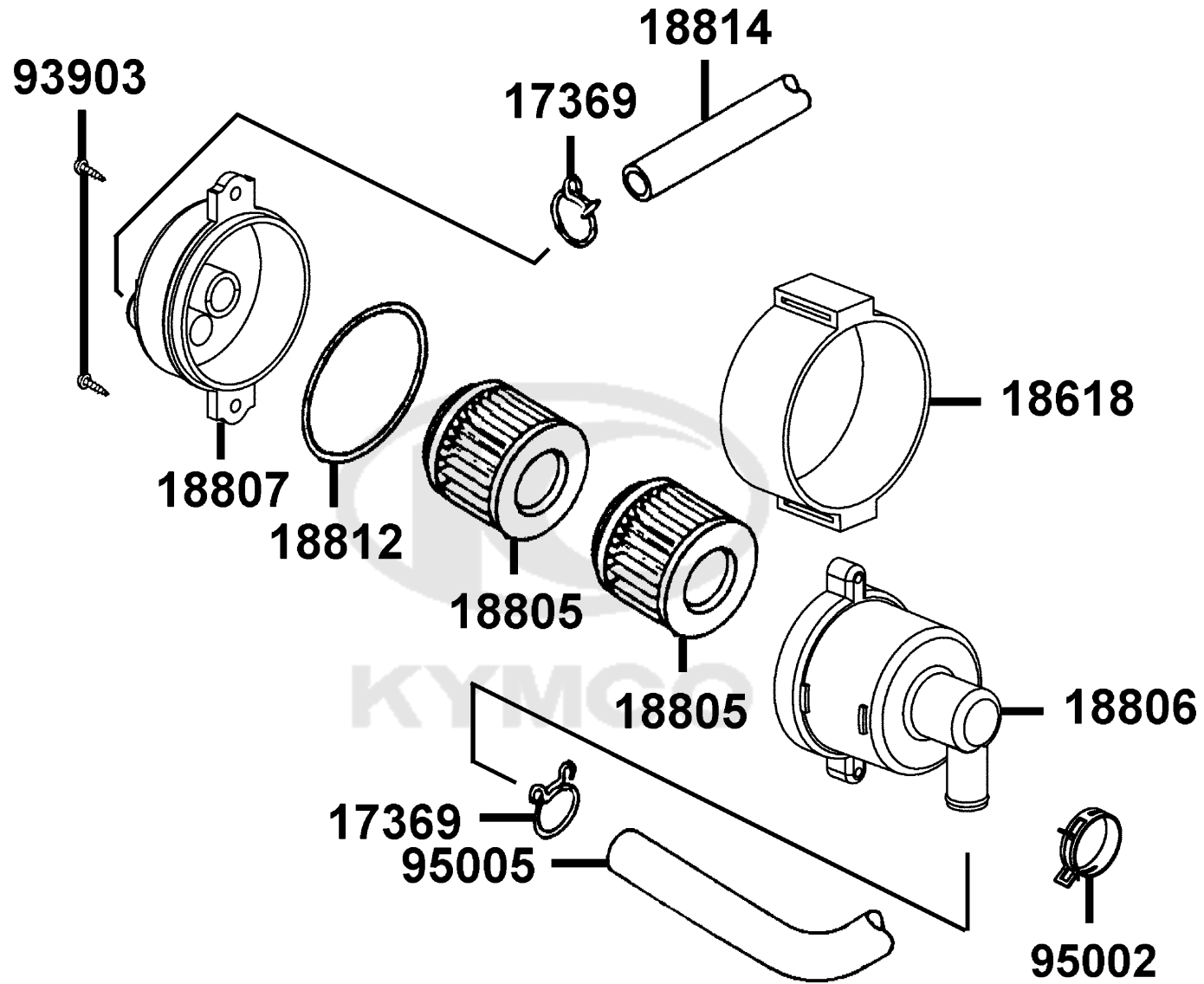
Sales mark	Ref no	Part no	Description	Reg description	Regd no	F21
	94050-06080	94050-06080	NUT FLANGE 6MM	NUT FLANGE 6MM	1	
	95001	95001-35600-40	TUBE FUEL 3.5*600	TUBE FUEL 3.5*600	1	
	95002-02070	95002-02070	CLIP B7 PORT TUBE	CLIP B7 PORT TUBE	6	
	95002-02100	95002-02100	CLIP B10 TUBE	CLIP B10 TUBE	1	
	95002-70000	95002-70000	CLIP C11 TUBE	CLIP C11 TUBE	2	
	95002-KED9	95002-KED9-900	CLIP HOSE	CLIP HOSE	2	
	95002-KGN7	95002-KGN7-910	CLIP TUBE	CLIP TUBE	2	
	95002-KHE7	95002-KHE7-900	CLIP WATER HOSE	CLIP WATER HOSE	2	
	95701	95701-06016-06	BOLT FLANGE 6*16	BOLT FLANGE 6*16	3	



Separated Parts Of Fr Fork

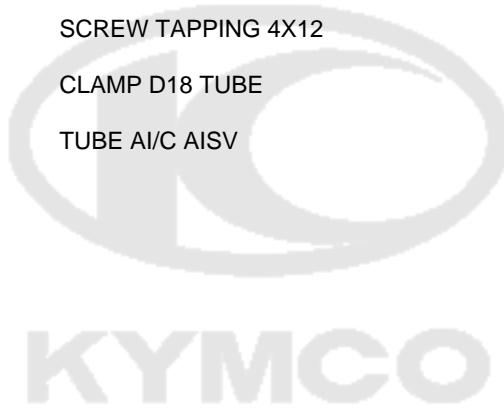


Sales mark	Ref no	Part no	Description	Reg description	Regd no	<b>F22</b>
	51401	51401-LDB2-E00	SPRING	SPRING	1	
	51404	51404-LDB2-E00	SPRING COLLAR	SPRING COLLAR	2	
	51410	51410-LBA2-E00	FORK PIPE COMP	FORK PIPE COMP	2	
	51412	51412-LBA2-E00	REBOUND SPRING	REBOUND SPRING	2	
	51416	51416-LBA2-E00	GUIDE BUSH	GUIDE BUSH	2	
	51419	51419-LBA2-E00	PLAIN WASHER	PLAIN WASHER	4	
**	51421	51421-LBA2-E00	BOTTOM CASE R	BOTTOM CASE R	1	
	51422	51422-LBA2-E00	OIL LOCK PIECE	OIL LOCK PIECE	2	
	51424	51424-LBA2-E00	SPACER	SPACER	2	
	51425	51425-LBA2-E00	FORK FENDER	FORK FENDER	2	
	51428	51428-LBA2-E00	OIL SEAL STOPPER RING	OIL SEAL STOPPER RING	2	
	51437	51437-LBA2-E00	PISTON RING	PISTON RING	2	
	51470	51470-LBA2-E00	PIPE SEAT COMP	PIPE SEAT COMP	2	
**	51521	51521-LBA2-E00	BOTTOM CASE L	BOTTOM CASE L	1	
	90544	90544-KEC8-900	PACKING	PACKING	2	
	91251	91251-LBA2-E00	OIL SEAL	OIL SEAL	2	
	91254	91254-LBA2-E00	DUST SEAL	DUST SEAL	2	
	94605	94605-LBA2-E00	FORK BOLT	FORK BOLT	2	
	94608	94608-LBA2-E00	O-RING	O-RING	2	
	96600	96600-LBA2-E00	BOCKET BOLT	BOCKET BOLT	2	





Sales mark	Ref no	Part no	Description	Reg description	Regd no	<b>F23</b>
17369		17369-KDB4-671	CLIP BREATHER TUBE	CLIP BREATHER TUBE	2	
18618		18618-KBE2-900	RUBBER AIC CLEANER MOUNT	RUBBER AIC CLEANER MOUNT	1	
18805		18805-KHB4-910	ELEMENT AI. CLEANER	ELEMENT AI. CLEANER	2	
18806		18806-KBE2-900	CASE AIC-AICV	CASE AIC-AICV	1	
18807		18807-KBE2-900	COVER AIR CLEANER	COVER AIR CLEANER	1	
18812		18812-KBE2-900	SEAL AI/C COVER	SEAL AI/C COVER	1	
18814		18814-LDF2-900	DUCT. AI CLEANER	DUCT. AI CLEANER	1	
93903		93903-24320	SCREW TAPPING 4X12	SCREW TAPPING 4X12	2	
95002		95002-KKD6-E05	CLAMP D18 TUBE	CLAMP D18 TUBE	1	
95005		95005-LDF2-E00	TUBE AI/C AISV	TUBE AI/C AISV	1	



● Be sure to wear a safety helmet when riding.  
 ● Do not exceed the speed specified by law when riding.  
 ● The exhaust muffler temperature is very high after riding. Be sure to park the motorcycle in a place not easily touched by people.  
 ● For riding safety and good performance, do not violate the law to modify the motorcycle.  
 ● Please read the Owner's Manual carefully to ensure riding safety.

● Make sure to perform the periodic maintenance and periodic inspection.

Periodic Inspection Items

Brake Performance, tires, engine oil level, lights, horn, and instrument panel

**KWANG YANG MOTOR CO., LTD.**

87560

**CAUTIONS**

Tire Size	:Front 120/70-15	Rear 150/70-14
(One Rider)	:Front 2.00kgf/cm <sup>2</sup>	Rear 2.50kgf/cm <sup>2</sup>
(Two Rider)	:Front 2.25kgf/cm <sup>2</sup>	Rear 2.50kgf/cm <sup>2</sup>
Load Capacity	:Shield 1.5kg	Clip case center 3kg
	(As per KYMCO standard specification)	
	(Note: The tire pressure must not overpass 2.50kgf/cm <sup>2</sup> )	

● Check the motor oil level with the dipstick after refilling motor oil.

LMC-820

87505

**CAUTION**

Mobile phone charge only, Use other appliance may cause damage.

KKC2-E000

87541-KKC2

**CAUTIONS**

Never put any article between the rear side cover and the engine to avoid interference of riding.

GAR-300

87542

**CAUTIONS**

Before starting the engine, the side stand shall be kicked up to secure safety.

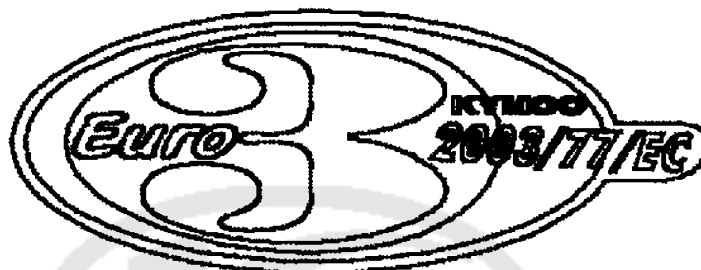
87541-GAR1

Sales mark	Ref no	Part no	Description	Reg description	Regd no	<b>F24</b>
**	87505	87505-LBA2-E00	LABEL TIRE	LABEL TIRE	1	
**	87541-GAR1	87541-GAR1-E00	CAUTION SIDE STAND	CAUTION SIDE STAND	1	
**	87541-KKC2	87541-KKC2-E00	CAUTION MOBILE PHONE	CAUTION MOBILE PHONE	1	
**	87542	87542-GAR1-E00	MARK MAINT CAUTION	MARK MAINT CAUTION	1	
**	87560	87560-GFY6-E00	MARK DRIVE CAUTION	MARK DRIVE CAUTION	1	



**XGITING300**

**86202**



**87311**



**87140**

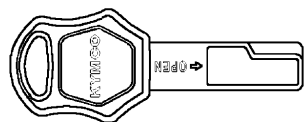
Sales mark	Ref no	Part no	Description	Reg description	Regd no	<b>F25</b>
------------	--------	---------	-------------	-----------------	---------	------------

**	86202	86202-LFG2-E00	EMB BODY COVER	EMB BODY COVER	2	
**	87140	87140-LDG7-E01	EMB I MARK	EMB I MARK	2	
**	87311	87311-LCD3-E00	STRIPE MARK EURO 3	STRIPE MARK EURO 3	1	

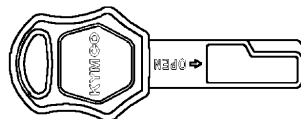


F26

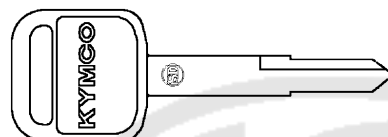
Key



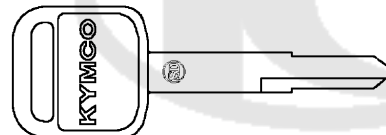
35111-KKC4-335-M1



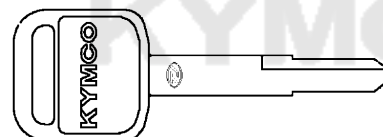
35111-KKC4-335-M2



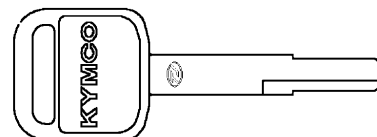
35111-LBA2-305-T01



35111-LBA2-305-T02



35111-LBA2-306-T01



35111-LBA2-306-T02

Sales mark	Ref no	Part no	Description	Reg description	Regd no	<b>F26</b>
	35111-KKC4-335-M1	35111-KKC4-335-M1	KEY COMP/SHUTTER MAGNETIC LOCK	KEY COMP/SHUTTER MAGNETIC LOCK	1	
	35111-KKC4-335-M2	35111-KKC4-335-M2	KEY COMP/SHUTTER MAGNETIC LOCK	KEY COMP/SHUTTER MAGNETIC LOCK	1	
	35111-LBA2-305-T01	35111-LBA2-305-T01	KEY COMP / MAIN SW	KEY COMP / MAIN SW	1	
	35111-LBA2-305-T02	35111-LBA2-305-T02	KEY COMP / MAIN SW	KEY COMP / MAIN SW	1	
	35111-LBA2-306-T01	35111-LBA2-306-T01	KEY COMP / MAIN SW	KEY COMP / MAIN SW	1	
	35111-LBA2-306-T02	35111-LBA2-306-T02	KEY COMP / MAIN SW	KEY COMP / MAIN SW	1	



## PART NO. INDEX

PART NO.	VERSION	PAGE	PART NO.	VERSION	PAGE	PART NO.	VERSION	PAGE
			11192-KHE7-980	1	E01	12209-GDB4-68B	0	E02
			11200-LDB2-E01	0	E01	1221A-LDB2-E00	3	E02
			11203-LBA2-E00	2	E01	12251-KHE7-901	1	E02
0901-880-6000	0	E08	11203-LBA2-E00	2	F16	12310-LDB2-E00	3	E02
0901-911-6000	0	E08	11211-KKC4-900	0	F13	12361-LEA5-E00	1	E04
0901-914-6001	0	E08	1122A-LDB2-E00	1	E07	12391-LDB2-E00	1	E02
			11330-LLJ3-E00	4	E04			
			11341-LDF2-900	2	E01	<b>13000</b>		
			11341-LDF2-910	2	E01			
1034-KAE0-7700	0	E08	11341-LLJ3-E01	2	E01	13000-LFG2-E00	6	E03
1090-873-2001	0	E08	11342-LDF2-910	2	E01	13011-LFG2-E0B	3	E03
1190-C74-2000	0	E08	11345-LDB2-E00	1	E01	13101-LFG2-E00	5	E03
1190-C75-2000	0	E08	11346-GFY6-901	0	E01	13111-LDB2-E00	1	E03
1614-868-0000	0	E08	11350-LHG7-E00	2	E01	13406-LDF2-900	3	E02
1614-906-0002	0	E08	11383-LDF2-900	1	E01			
			11394-KHE7-900	1	E04	<b>14000</b>		
			11394-KHE7-980	1	E04			
			11395-LLJ3-E01	0	E01	14100-LFG2-E00	2	E02
						14150-LDB2-E00	2	E02
			<b>12000</b>			14401-LDE9-E00	2	E03
			12100-LDE9-E00	3	E03	14431-LDB2-E00	1	E02
			12191-KHE7-910	2	E03	14450-KEBE-900	0	E02
			12200-LFG2-E00	1	E02	14452-LDB2-E00	1	E02
11100-LDB2-E00	1	E01	12205-KHE8-301	4	E02	14510-LDE9-E00	2	E03
11110-LLJ3-E00	2	E01	12209-GDB4-68A	0	E02	14520-GFY6-90A	1	E03
11192-KHE7-900	0	E01				14523-KED9-900	0	E03



## PART NO. INDEX

PART NO.	VERSION	PAGE	PART NO.	VERSION	PAGE	PART NO.	VERSION	PAGE
14531-KHE7-900	1	E03				17527-LBA2-900	0	F19
14610-LDE9-E00	1	E03	<b>17000</b>			17550-LDF2-800	6	F10
14711-LFG2-E00	1	E02				17560-LDF2-900	4	F10
14721-LFG2-E00	1	E02	1711A-LDF2-900	1	E02	17561-LDF2-900	0	F10
14751-KHE7-900	0	E02	17208-GAR1-011	0	F13	17620-LLJ3-E0A	3	F10
14761-KHE7-900	0	E02	17212-LDB2-E00	0	F12	17620-LLJ3-E0B	3	F10
14771-GDB4-680	2	E02	17214-LDB2-E00	1	F13	17623-LAB4-90A	1	F10
14775-MFA6-001	0	E02	1721A-KKC3-900	1	F13	17623-LAB4-90B	1	F10
14781-MFA6-001	0	E02	17231-LFG2-E00	1	F13	17689-KEBE-E00	1	F10
			17236-KFBF-910	1	F13	17910-LDF2-900	5	F03
<b>15000</b>			1723A-LFG2-E00	3	F13	17911-LDF2-900	3	F03
			17241-LDF2-900	0	F13			
15100-KKC3-900	3	E06	17254-KACA-P00	0	F13	<b>18000</b>		
15133-KAM1-001	1	E06	17255-LDB2-E00	3	F13			
15141-KKJ9-004	0	E06	17256-LDB2-E00	1	F13	18291-KEBE-900	0	F14
15421-1G07-001	1	E04	17359-4K19-671	0	F13	18291-LBA7-900	2	F14
15426-GAE1-921	0	E04	17369-KDB4-671	1	F23	18292-KEBE-900	0	F14
15441-1K49-001	0	E03	17370-4K19-701	0	F13	18293-KEBE-900	0	F14
15447-1K49-001	0	E03	17371-1D74-671	0	F13	18294-KEBE-900	0	F14
1565A-KEBE-900	0	E04	17500-LDF2-910	3	F10	18294-LDB2-900	0	F14
15711-KHE7-900	0	E06	17502-LBA2-E00	4	F10	18307-LDB2-E00	0	F14
			17504-LAB4-900	2	F10	1830A-LFG2-E00	4	F14
<b>16000</b>			17507-LAB4-900	2	F10	18310-LFG2-E00	3	F14
			17514-LBA2-E00	1	F10	18318-LBA2-E01	0	F14
1610K-LDF2-E00	0	E08	17515-LBA2-E00	1	F10	18320-LFG2-E00	3	F14
16211-LDF2-900	1	E02	17520-LBA2-E00	3	F10	18321-LDB2-900	0	F14

## PART NO. INDEX

PART NO.	VERSION	PAGE	PART NO.	VERSION	PAGE	PART NO.	VERSION	PAGE
18325-LDB2-900	1	F14	19030-KHD8-900	2	F21			
18371-LDB2-E00	1	F14	19101-LBA2-E00	2	F21	<b>22000</b>		
18391-LDB2-E00	1	F14	19104-LBA2-E00	1	F21			
18601-MAJ1-791	1	E02	19105-LBA2-E00	1	F21	22101-KHE7-900	1	E05
18612-GFY6-941	0	E02	19111-GBE2-004	1	F21	22102-KHE7-900	3	E05
18618-KBE2-900	0	F23	19210-KKC4-900	0	F21	22105-LBA7-900	1	E05
18645-GFY6-941	0	E02	19215-KHE7-900	0	E04	22110-LFG1-E00	2	E05
18646-GFY6-941	0	E02	19217-6G57-024	0	E04	22112-KHE7-900	1	E05
18647-LDB2-900	3	E02	19221-KHE7-900	3	E04	22121-LFG2-E00	2	E05
18660-LDF2-900	2	E02	19229-KHE7-900	1	E04	22131-LBA7-900	1	E05
18805-KHB4-910	0	F23	19231-KKJ9-011	0	E04	22132-KHE7-900	2	E05
18806-KBE2-900	1	F23	19300-KAE1-004	1	E02	22300-KHE7-900	4	E05
18807-KBE2-900	3	F23	19310-LDF2-900	2	E02	22300-LFG2-E0A	2	E05
18812-KBE2-900	0	F23	19315-LDB2-E00	1	E02	22300-LFG2-E80	2	E05
18814-LDF2-900	3	F23	19411-KBCB-900	0	F10	22350-KHE7-900	1	E05
<b>19000</b>			19411-LFG2-E00	1	F13	22361-LEA7-E00	1	E05
			19502-KHE7-900	0	E04	22401-KHE7-900	2	E05
			19504-LBA2-E00	3	E02	22401-LFG2-E80	1	E05
19005-KKC4-900	2	F21	19504-LBA2-E00	3	F10	22530-KHE7-900	2	E05
19010-LDB2-E00	2	F21				22530-LFG2-E0A	2	E05
19012-KHD8-900	4	F21	<b>21000</b>			22530-LFG2-E80	2	E05
19013-LDB2-E00	2	F21				22804-GBB2-001	0	E05
19014-LDB2-E00	1	F21	21200-LDB2-E00	2	E07			
19015-KKC4-900	2	F21	21395-LDF2-900	1	E07	<b>23000</b>		
19016-LBA2-E00	1	F21						
19020-KED9-900	1	F21				2301A-LFG2-E00	4	E05

## PART NO. INDEX

PART NO.	VERSION	PAGE	PART NO.	VERSION	PAGE	PART NO.	VERSION	PAGE
2301A-LFG2-E0A	2	E05				32108-GAR1-711	1	F19
2301A-LFG2-E80	3	E05	<b>30000</b>			32410-LDB2-E00	3	E06
23100-LFG2-E00	0	E05				32411-LBA2-E00	3	F11
23200-KHE7-900	6	E05	3051A-LDF2-900	6	F19	32412-LDB2-E00	1	E04
23220-KHE7-900	4	E05	30700-KFC8-E0H	1	F19			
23220-LFG2-E00	2	E05				<b>33000</b>		
23225-KHE7-900	0	E05	<b>31000</b>					
23226-GHC8-004	0	E05				33100-LDG7-E03	2	F01
23233-KHE7-900	1	E05	31110-LDF2-90A	2	E06	33120-LDG7-E03	0	F01
23237-KHE7-900	0	E05	31120-LDF2-90A	4	E06	33130-LBA2-E00	1	F01
23238-KHE7-900	0	E05	31205-KKJ9-000	0	E06	33400-LBA2-E00	2	F17
23411-KHE7-900	4	E07	31210-KHE7-90A	1	E06	33401-LBA2-E00	0	F17
23420-LDB2-E00	3	E07	31340-LBA2-E0A	1	F19	33406-LBA2-E00	0	F17
23420-LFG2-E00	1	E07	31345-LBA2-E00	1	F19	33450-LBA2-E00	2	F17
23431-LDB2-E00	2	E07	31500-KHE7-90A	5	F11	33451-LBA2-E00	0	F17
23432-LDB2-E00	2	E07	31500-KHE7-90B	4	F11	33456-LBA2-E00	0	F17
23432-LFG2-E00	2	E07	31600-KED9-900	4	F19	33607-KKD7-E00	0	F18
			31601-LDF2-900	1	F19	33700-LBA2-E00	5	F18
<b>28000</b>			31602-KKC4-900	0	F19	33702-LBA2-E00	0	F18
			3195A-LBA2-E00	1	F19	33705-LBA2-305	0	F18
28101-KHE7-900	0	E06				33708-KHE7-E00	0	F18
28102-KHE7-900	0	E06	<b>32000</b>			33709-KHE7-E00	0	F18
28110-LDB2-E00	4	E06				33720-LBB5-E00	3	F18
28120-LDB2-E00	0	E06	32100-LFG2-E00	3	F19	33726-LBB5-E00	1	F18
			32102-LBA2-E00	1	F21	33741-KHC5-M00	0	F18
			32105-LLJ3-E00	2	E04	33900-KFBF-900	0	F12

## PART NO. INDEX

PART NO.	VERSION	PAGE	PART NO.	VERSION	PAGE	PART NO.	VERSION	PAGE
<b>34000</b>			35119-KHC4-90A	0	F19	38110-KHB4-E0B	2	F19
			35119-KHC4-90B	0	F19	38110-KHB4-E0C	1	F19
			3515A-LBA2-E01	1	F03	38200-KHE7-900	0	F19
34901-KED9-900	0	F01	3520A-KEBE-900	2	F03	38300-LEA5-E0A	1	F19
34903-KPCP-900	0	F01	35340-KKC4-80A	0	F19	38500-LGL3-90A	2	F19
34903-KPCP-900	0	F18	35340-KKC4-80B	0	F19	38500-LGL3-90D	2	F19
34905-KPCP-900	0	F17	35340-KNBN-901	0	F04	38501-KHD8-900	0	F19
34905-KPCP-900	0	F18	35350-KNBN-901	0	F04	38501-KHD8-90A	0	F19
34909-KFBF-900	0	F12	35370-KEC8-E00	3	F15	38506-KHD8-900	0	F19
			35380-LDF2-900	2	F19	38773-PKB9-001	0	F21
<b>35000</b>			35500-KED9-900	6	E04			
			35850-LBA2-E00	1	F19	<b>39000</b>		
35010-LBA2-315-M1	0	F19				39000-LDF2-800	4	F19
35010-LBA2-315-M2	0	F19	<b>37000</b>			39100-KHD8-900	0	F19
35101-LBA2-305-M1	1	F19				39200-LFG2-800	2	F19
35101-LBA2-305-M2	1	F19	37119-LBA2-E00	0	F02	39220-LDF2-900	1	F19
35102-LBA2-315-M1	0	F19	37200-LDF2-90A	3	F02	39300-LDF2-800	2	E02
35102-LBA2-315-M2	0	F19	37213-LBA2-E00	0	F02	39301-LDF2-900	2	E02
35104-KHC4-90A	0	F19	37214-LBA2-E00	0	F02	39400-LDF2-800	2	E02
35104-KHC4-90B	0	F19	37720-KGB5-900	0	E02	39450-LDF2-800	3	F14
35111-KKC4-335-M1	0	F26	37750-PAC1-005	0	E02			
35111-KKC4-335-M2	0	F26	37760-KHD8-900	0	F21	<b>42000</b>		
35111-LBA2-305-T01	0	F26						
35111-LBA2-305-T02	0	F26	<b>38000</b>					
35111-LBA2-306-T01	0	F26				42311-LDB2-E00	1	F08
35111-LBA2-306-T02	0	F26	38110-KHB4-E0A	0	F19	42312-KHE7-E00	0	F08

## PART NO. INDEX

PART NO.	VERSION	PAGE	PART NO.	VERSION	PAGE	PART NO.	VERSION	PAGE
42601-LDB2-E00	2	F08	44311-KED9-900	5	F07	45129-LBA2-900	1	F06
42710-LBA2-E0A	4	F08	44312-LBA2-E00	2	F07	45129-LBA2-E00	2	F06
42710-LBA2-E0B	4	F08	44620-LBA2-E00	3	F07	45130-KED9-900	0	F07
42753-KNBN-90B	1	F07	44650-LBA2-305	0	F07	45131-LDB2-E00	3	F07
42753-KNBN-90B	1	F08	44710-LBA2-E0A	3	F07	45131-LDH1-E00	0	F08
			44710-LBA2-E0B	5	F07	45132-LDH1-E00	0	F08
<b>43000</b>			<b>45000</b>			45134-KED9-900	0	F07
43100-LDF2-E00	2	F08				45136-LBA2-E01	6	F04
43105-LDH1-305	0	F08	45100-LBA2-E01	6	F07	45200-LBA2-E00	6	F07
43109-LBA2-E00	0	F07	45105-LBA2-305	0	F07	45203-KED9-900	0	F07
43109-MCA3-007	0	F08	45105-LBA2-306	0	F07	45209-KED9-900	0	F08
43126-LDB2-E00	3	F04	45107-KED9-900	0	F07	45209-LBA2-E00	0	F07
43127-LBA2-E01	2	F04	45107-LBA2-E00	0	F07	45210-LBA2-305	0	F07
43156-KKC4-900	2	F04	45107-LLJ3-E00	0	F08	45210-LDF2-E00	0	F08
43156-LDB2-900	2	F04	45107-LLJ3-E90	0	F07	45352-LBA2-E00	4	F07
43351-LBA2-E00	6	F08	45108-KED9-900	0	F07	45513-LEA7-E00	1	F04
43352-KKD6-E90	1	F08	45108-LDH1-E00	0	F08	45517-LBA2-E00	2	F04
43353-4A61-77A	0	F08	45109-KED9-900	0	F07	45520-KKA8-900	0	F04
43353-KED9-900	0	F07	45110-LBA2-305	0	F07	45521-LEA7-E00	1	F04
4335A-LBA2-E01	2	F07	45121-LDB2-E00	3	F07	45530-LBA2-308	0	F04
43530-KKE5-305	1	F04	45125-LBA2-E00	3	F06	45531-GAR1-951	0	F08
			45126-LBA2-E01	4	F04	45531-KED9-900	0	F07
<b>44000</b>			45128-LBA2-900	2	F06	<b>48000</b>		
			45128-LBA2-920	1	F06			
44301-LBA2-E00	5	F07	45128-LBA2-E00	1	F06	48200-LBA2-E01	1	F04

## PART NO. INDEX

PART NO.	VERSION	PAGE	PART NO.	VERSION	PAGE	PART NO.	VERSION	PAGE	
<b>50000</b>			5050A-LDB2-E00	5	F15	51428-LBA2-E00	0	F22	
			50530-LDB2-E00	3	F15	51430-LDH1-E00	0	F08	
			50550-KKC2-E00	0	F15	51437-LBA2-E00	0	F22	
	50100-LDF2-900	9	F20	50611-LDF2-900	2	F10	51470-LBA2-E00	0	F22
	50153-LDF2-900	2	F19	50612-LDF2-900	2	F10	51500-LDB2-E00	4	F06
	50154-LBA2-E00	3	F20	50701-LBA2-E00	1	F20	51521-LBA2-E00	0	F22
	50154-LDF2-900	1	F19	50713-KEB7-900	0	F20			
	50306-1F96-001	0	F06	50715-KEB7-900	0	F20	<b>52000</b>		
	50326-LBA2-E00	2	F11	5071A-LFG2-E00	1	F20			
	50328-LBA2-E00	2	F11	5071B-LFG2-E00	1	F20	52000-LDB2-E00	5	F16
	5032A-LDB2-E00	1	F11	50720-LBA2-E00	1	F20	52400-LDB2-E00	3	F16
	50330-LBA2-E00	1	F11	50730-LBA2-E00	1	F20			
	50330-LDB2-E00	1	F11				<b>53000</b>		
	50350-LDB2-E00	4	F20	<b>51000</b>					
	50352-LBA2-E00	1	F20				53100-LBA2-E00	7	F03
	50353-GBG2-711	1	F20	51400-LDB2-E00	4	F06	53102-LEA5-E00	3	F03
	50353-KGN7-901	0	F20	51401-LDB2-E00	0	F22	53105-LEA5-E00	3	F03
	50356-KHE7-E00	0	F20	51404-LDB2-E00	0	F22	53131-3H98-941	0	F03
	50360-LDB2-E00	2	F20	51410-LBA2-E00	0	F22	53140-KKC4-900	0	F03
	50364-KHE7-E00	0	F20	51412-LBA2-E00	0	F22	53166-KGB5-900	0	F03
50502-GFY6-901	3	F15	51416-LBA2-E00	0	F22	53175-KKE5-E00	0	F04	
50504-LDB2-E00	1	E01	51419-LBA2-E00	0	F22	53178-KKE5-E00	0	F04	
50505-KUDU-900	1	F15	51421-LBA2-E00	0	F22	53182-LDB2-E00	2	F05	
50505-LAD9-900	3	F15	51422-LBA2-E00	0	F22	53200-LBA2-E00	7	F06	
50505-LEA7-E00	1	F15	51424-LBA2-E00	0	F22	53203-LBA2-E00	3	F03	
50506-KHE7-E00	0	F15	51425-LBA2-E00	0	F22	53204-LBA2-E00	3	F03	

## PART NO. INDEX

PART NO.	VERSION	PAGE	PART NO.	VERSION	PAGE	PART NO.	VERSION	PAGE
53205-LBA2-E02	1	F03	64303-LBA2-E00	2	F05	77232-GLW0-316-M1	0	F19
53206-LBA2-E00	1	F03	64304-LBA2-E00	2	F05	77232-GLW0-316-M2	0	F19
53208-LBA2-E00	3	F03	64305-LBA2-E00	2	F05	77235-KGC4-E0A	2	F19
53213-LBA2-E00	2	F06	64306-LBA2-E00	2	F05	77235-KGC4-E0B	2	F19
53214-LBA2-E00	2	F06	64310-LBA2-E00	4	F05	77235-KKC4-80A	0	F19
53220-LBA2-E00	2	F06	64311-LBA2-E00	1	F05	77235-KKC4-80B	0	F19
53230-LBA2-E00	8	F06	64315-LDG7-800	0	F20	77240-LBA2-E00	2	F19
53240-LBA2-E00	2	F06	64320-LBA2-E00	2	F05	77300-LBA2-E00	1	F09
53250-LBA2-E00	2	F06	64330-LBA2-E00	2	F05	77303-LLJ3-E00	2	F09
			64400-LBA2-E00	2	F05	77305-LDG7-E00	0	F09
<b>61000</b>			<b>70000</b>			77400-LBA2-E00	2	F09
61100-LBA2-305	4	F05				77500-LBA2-E00	1	F09
			70529-6G57-671	0	F05	77501-LBA2-E00	1	F09
<b>64000</b>			<b>75000</b>			<b>80000</b>		
64206-MLJ0-001	1	F12				80101-LBA2-E00	1	F18
64220-LBA2-E00	5	F03	75581-6C73-001	0	F05	80104-LDB2-E00	0	F12
64222-KKC4-900	3	F03				80105-LBA2-E00	1	F18
64222-LLJ3-E00	1	F03	<b>77000</b>			80107-LBA2-E00	1	F18
64222-LLJ3-E00	1	F05				80151-LBA2-E00	1	F05
64231-LBA2-E00	1	F03	77105-GFS6-001	1	F12			
64232-LBA2-E00	1	F03	77106-GFS6-001	1	F12	<b>81000</b>		
6423A-LBA2-E00	1	F03	77200-LDG7-E00	1	F09			
64250-LBA2-E00	2	F03	77206-KEB7-900	0	F09	81131-LBA2-E01	2	F05
64302-LBA2-E02	1	F05	77220-LDG7-E00	0	F09	81133-LBA2-E00	1	F05

## PART NO. INDEX

PART NO.	VERSION	PAGE	PART NO.	VERSION	PAGE	PART NO.	VERSION	PAGE
81134-KGBG-900	2	F05	83750-LBA2-E00	2	F12	89020-KKC4-900	1	F09
81135-KGBG-900	2	F05						
81142-LBA2-E00	1	F05	<b>86000</b>			<b>90000</b>		
81146-LBA2-E00	2	F05						
8114A-LBA2-E00	1	F05	86202-LFG2-E00	1	F25	90001-GBHB-661	2	E03
81200-LBA2-E00	2	F12				90001-GBHB-661	2	E06
81201-LBA2-E00	1	F12	<b>87000</b>			90005-KEC8-900	3	E03
81252-LDB2-E00	2	F12				9000A-KTDT-900	1	E01
81254-LDB2-E00	2	F12	87140-LDG7-E01	2	F25	90012-3C33-001	1	E02
81255-LDB2-E00	2	F12	87206-LBA2-E00	2	F03	90031-KEBE-900	0	E01
81256-LDB2-E00	2	F12	87311-LCD3-E00	1	F25	90031-KKA7-900	0	E01
81257-LDB2-E00	1	F12	87505-LBA2-E00	1	F24	90071-MLB0-001	0	E06
81258-LDB2-E00	1	F12	87508-KKC4-E00	1	F03	90084-LEA5-001	1	E04
81259-LDB2-E00	1	F12	87541-GAR1-E00	1	F24	9008A-KHE7-900	0	E04
81260-LDB2-E00	5	F12	87541-KKC2-E00	1	F24	90101-KNBN-200	3	F20
81261-LDB2-E00	1	F12	87542-GAR1-E00	2	F24	90105-KCR3-001	1	F07
81262-LDB2-E00	1	F12	87560-GFY6-E00	3	F24	90105-KCR3-001	1	F08
<b>83000</b>			<b>88000</b>			90105-KHB4-900	0	F03
						90105-KHB4-900	0	F12
						90105-LLJ3-E00	3	F03
83500-LBA2-E00	3	F12	88110-LBA2-E02	2	F03	90106-KFA6-900	0	F12
83520-LBA2-E00	2	F12	88120-LBA2-E02	2	F03	90106-KFC2-900	0	F03
83550-KEC8-900	0	F05				90106-KHE7-E00	0	F20
83551-KEC8-900	0	F05	<b>89000</b>			90107-LEA7-E00	3	F05
83600-LBA2-E00	3	F12				90108-KKC4-900	1	F15
83620-LBA2-E00	2	F12	89010-LDB2-E00	2	F09	90110-KEBE-900	0	F14



## PART NO. INDEX

PART NO.	VERSION	PAGE	PART NO.	VERSION	PAGE	PART NO.	VERSION	PAGE
90111-KED9-900	0	F03	90302-GFY6-940	1	F18	90503-KKE5-E00	1	F06
90111-KED9-900	0	F05	90302-KFC2-900	1	F19	90503-LBA2-E00	2	F06
90111-KED9-900	0	F12	90302-SDA4-004	2	F03	9052A-LEB1-900	1	E01
90112-KNBN-901	1	F11	90302-SDA4-004	2	F05	90544-KEC8-900	0	F22
90113-KKA8-900	0	F04	90302-SDA4-004	2	F12	90545-3L00-001	2	F04
90114-GDM4-011	2	F13	90304-4H38-001	2	E02	90605-1F66-721	0	E05
90114-KED9-900	3	F20	90304-GHE8-004	0	F20	90652-GFY6-901	1	E02
90114-LBA2-E00	1	F12	90304-KKE5-E00	1	F06	90652-KHE7-900	0	F13
90122-LBA2-E00	1	F07	90304-LBD4-900	2	F20	90656-KCBC-900	0	F19
90131-LDB2-E00	2	F08	90305-GHK8-001	1	F05	90656-KUDU-900	0	F19
90131-LFG2-E00	1	F16	90305-GHK8-001	1	F12	90660-KNBN-921	0	F10
90145-LBA2-E00	2	F04	90305-KKAK-900	0	F08	90677-GAR1-004	1	F03
90145-MKS9-61A	1	F04	90305-LBA2-E00	1	F05	90677-GAR1-004	1	F12
90164-KGBG-900	1	F05	90312-GLF0-001	0	F03	90677-GAR1-004	1	F18
90201-KHE7-900	1	E05	90312-LLJ3-E00	1	F03	90683-GAR1-004	4	F05
90201-KHR8-75A	1	E05	90312-LLJ3-E01	0	F05	90912-LBA2-E00	8	F21
90201-KHR8-75A	1	E06	90401-KKJ9-001	0	E05	90913-LDB2-E00	1	F21
90201-LBA2-E00	1	F06	90401-KKJ9-001	0	E06			
90202-1G87-001	0	E05	90423-KKJ9-001	0	E04	<b>91000</b>		
90206-0A01-001	2	E02	90441-GFY6-941	0	E05			
90215-KKC4-900	1	F09	90441-KKC4-800	0	E07	91001-KHE7-900	0	E03
90215-KKC4-900	1	F12	90465-MDC4-001	0	E02	91001-KHE7-90A	0	E03
90301-6D34-671	1	F03	90474-3C33-001	1	E01	91001-KKJ9-006	0	E04
90301-6D34-671	1	F10	90478-7L00-001	0	E02	91002-GGA7-70A	0	E05
90301-6D34-671	1	F21	90478-7L00-001	0	E04	91003-KHE7-900	0	E01
90301-GFY6-901	2	F14	90503-0A51-870	0	F06	91004-KHE7-900	1	E05

## PART NO. INDEX

PART NO.	VERSION	PAGE	PART NO.	VERSION	PAGE	PART NO.	VERSION	PAGE
91009-KHE7-900	0	E07				93500-05045-1B	0	F03
91201-KKJ9-004	0	E04	<b>92000</b>			93500-KHC4-90A	0	F19
91202-KHE7-900	0	E01				93600-04012-1A	0	F04
91202-KKC4-900	0	E01	92101-05008-0A	0	E01	93891-05016-00	0	F13
91202-KKC4-90B	1	E01	92101-05012-0A	0	F07	93891-05016-06	0	F05
91202-LHG7-E00	1	E01	92101-05032-0H	0	E06	93891-05016-06	0	F11
91211-KHE7-900	0	E05	92712-06028-0B	2	E02	93891-06010-07	0	F12
91251-LBA2-E00	0	F22	92900-06050-0B	0	E02	93892-04008-18	0	E08
91254-LBA2-E00	0	F22	92900-08046-0B	0	E02	93893-04012-18	0	F04
91255-KHE7-900	0	E07				93894-04022-08	1	F19
91255-KHE7-900	0	F16	<b>93000</b>			93901-32320	0	F18
91257-KED9-900	2	F07				93901-34320	0	F18
91301-KHE7-900	0	E02	93401-LDB2-900	0	F14	93901-44320	0	F18
91301-LDF2-800	1	E02	93404-06016-06	0	F05	93903-24320	0	F23
91302-0A01-021	0	E04	93404-06016-06	0	F12	93903-34360	0	F05
91302-KHE7-900	0	E04	93404-06016-06	0	F15	93903-34360	0	F12
91302-LDB2-E00	1	E02	93404-06016-06	0	F18	93903-34360	0	F17
91302-LDF2-800	2	E02	93404-06020-06	1	F03	93903-34360	0	F18
91303-3G77-001	0	E04	93500-03010-1A	0	E06	93903-35260	0	F10
91306-1E05-691	0	E03	93500-04008-0G	0	F10	93903-35320	0	F01
91307-0E35-001	0	E04	93500-04020-0G	0	F10	93903-35320	0	F02
91309-4E25-004	0	E06	93500-05016-0H	0	E02	93903-35320	0	F03
91351-KHE7-900	0	E05	93500-05016-0H	0	E06	93903-35360	0	F18
91407-SGA7-004	0	F13	93500-05016-1B	0	F03	93903-GFY6-900	1	F03
			93500-05025-1B	0	F03	93903-GFY6-900	1	F05
			93500-05032-1B	0	F03	93903-GFY6-900	1	F12

## PART NO. INDEX

PART NO.	VERSION	PAGE	PART NO.	VERSION	PAGE	PART NO.	VERSION	PAGE
93903-GFY6-900	1	F18	94111-06800	0	E01	<b>95000</b>		
93903-KEB7-900-06	1	F03	94201-16150	0	F20			
			94251-08400	0	F15			
<b>94000</b>			94301-08140	0	E04	95001-35600-40	0	F21
			94301-10160	0	E01	95002-02070	0	F21
94050-05080	0	F18	94301-10160	0	E02	95002-02080	0	E07
94050-06060	0	F04	94301-10160	0	E03	95002-02100	0	F21
94050-06080	0	E02	94301-10160	0	E04	95002-02130	0	F10
94050-06080	0	F04	94301-10160	0	E07	95002-02130	0	F13
94050-06080	0	F09	94303-04065	0	E06	95002-02150	0	F13
94050-06080	0	F10	94401-25140	4	E03	95002-70000	0	F21
94050-06080	0	F11	94510-10000	0	E06	95002-KED9-900	2	F21
94050-06080	0	F18	94510-25000	0	E07	95002-KGN7-910	1	F21
94050-06080	0	F19	94520-26000	0	E04	95002-KHE7-900	0	E04
94050-06080	0	F20	94520-28000	0	E05	95002-KHE7-900	0	F21
94050-06080	0	F21	94520-47000	0	F16	95002-KKD6-E05	0	E02
94050-08080	0	E02	94591-27000	0	F12	95002-KKD6-E05	0	F23
94050-08080	0	F09	94591-27000	0	F17	95003-23024-60	0	F13
94050-08080	0	F19	94591-KFBB-900	2	E02	95005-LDF2-E00	1	F23
94101-06000	0	F20	94591-KFBB-900	2	E04	95014-72204	0	F15
94101-06700	0	F14	94591-KFBB-900	2	F10	95701-06008-06	1	F06
94101-06800	0	F09	94601-17000	0	E03	95701-06010-08	1	E02
94101-08700	0	F15	94601-33000	0	E05	95701-06012-00	0	F06
94101-LBA2-E00	1	F20	94605-LBA2-E00	0	F22	95701-06012-08	0	E02
94102-LBA2-E00	1	F20	94608-LBA2-E00	0	F22	95701-06012-08	0	F20
94111-05800	0	E06				95701-06016-06	1	F21

## PART NO. INDEX

PART NO.	VERSION	PAGE	PART NO.	VERSION	PAGE	PART NO.	VERSION	PAGE
95701-06022-06	1	F14	96001-06012-08	0	F06	96600-LBA2-E00	0	F22
95701-06025-00	0	E02	96001-06014-08	0	F19			
95701-06025-08	0	E02	96001-06016-08	0	E01	<b>98000</b>		
95701-06028-08	0	E02	96001-06018-02	0	E04			
95701-06040-08	0	E02	96001-06018-08	0	E02	98069-5691R-00	0	E02
95701-06050-00	0	F06	96001-06020-06	0	F19	98200-31000	1	F11
95701-08012-08	0	E01	96001-06022-08	0	E04	98200-31000	1	F19
95701-08012-08	0	F20	96001-06028-06	0	F04	98200-31500	0	F11
95701-08030-08	0	E07	96001-06028-08	0	E04	98200-31500	0	F19
95701-08035-06	1	F03	96001-06028-08	0	E06	98200-33000	0	F11
95701-08035-08	0	E07	96001-06045-08	0	E04	98200-33000	0	F19
95701-08045-08	0	F20	96001-06050-08	0	E01	98200-KKC4-900	0	F19
95701-KHC5-E00	3	F19	96001-06110-08	0	E02			
95701-LDF2-800	2	F10	96001-06125-08	0	E04	<b>W</b>		
95801-08040-08	0	F06	96001-06130-08	0	E04			
95801-10025-08	0	F15	96100-60000-00	0	E04	W1792-048-9901	0	E08
95801-10040-02	0	F16	96100-63020-00	0	E01			
95801-10045-06	2	F14	96100-63020-00	0	E07			
95801-10057-06	2	F14	96100-63040-00	1	E01			
			96150-60040-10	0	F07			
<b>96000</b>			96150-62040-10	0	F16			
			96211-08000	0	F20			
96001-06008-07	0	F14	96220-20118	0	E03			
96001-06010-00	0	E04	96600-08015-10	1	E06			
96001-06012-08	0	E06	96600-08025-06	0	F06			
96001-06012-08	0	F04	96600-08035-06	0	F06			