

PARTS CATALOGUE



SCOOTERS

SB60AB(GR)

XCITING R300i



檔車

Motorcycles



速克達

Scooters



全地型車

ATV



代步車

Mobilescooters

Release Date : 2013/04/24
Print Date : 2013/07/25

ABOUT THIS PARTS LIST

- This parts list is compiled all service parts for model SB60AB(GR).
- Any difference between color chart and motorcycle will be revised according to motorcycle.
- The Mark:
 1. Marking "***" must add color code in the end before ordering parts.
 2. Marking "#" are parts with modification, Please find the details from e-Parts system.
- When modification or additions to this parts list are made a revised edition at an appropriate time.



CONTENTS

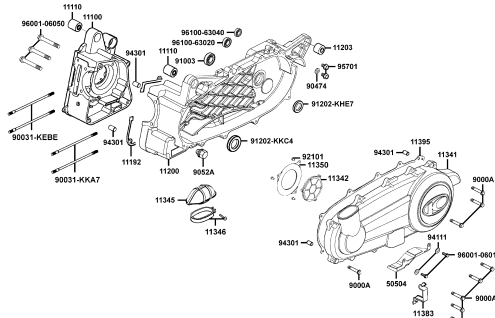
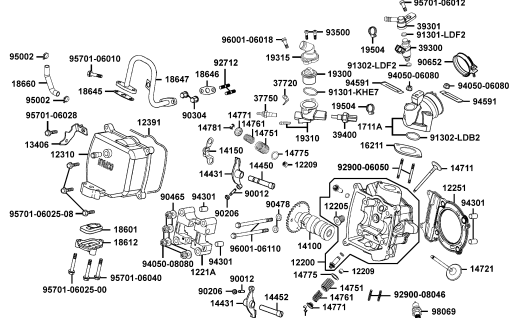
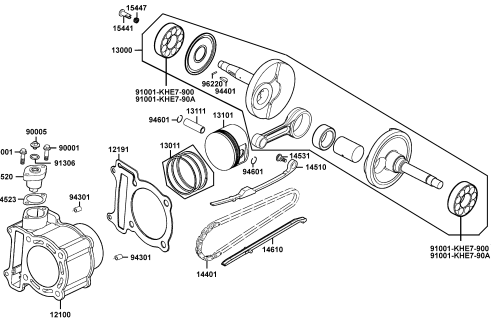
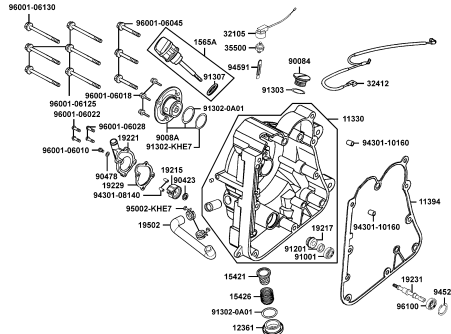
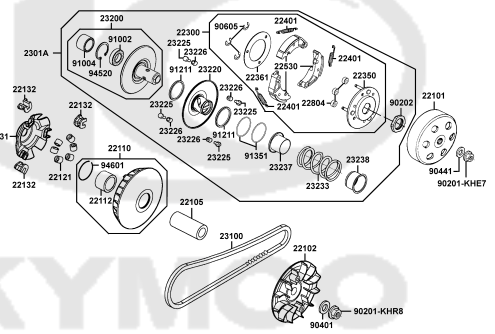
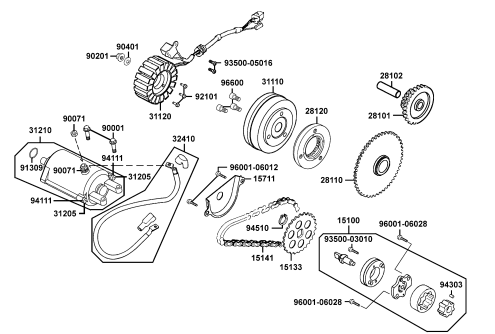
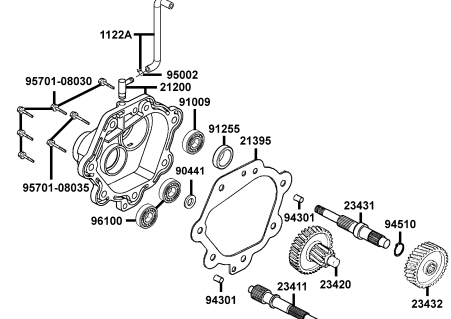
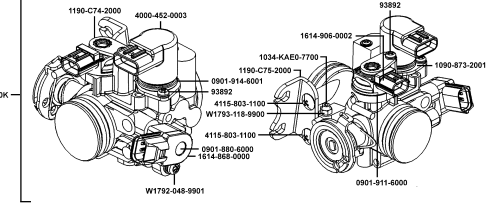
● ABOUT THIS PARTS LIST	1
● COLOR CHART OF SB60AB(GR)	3
● CONTENTS-ENGINE GROUP	7
● CONTENTS-FRAME GROUP	8
● ENGINE PARTS LIST	11
● FRAME PARTS LIST	45
● PART NO. INDEX	131

NO	MODEL			COLOR CHART OF SB60AB(GR)							
	PHOTO NO			NO. 1	NO. 2	NO. 3	NO. 4				
	BASIC COLOR				Dark Gray Metallic	Pearly White					
	CODE				Dark Gray Metallic	Pearly White					
	PARTS NAME	PARTS NO.	VERSION	NH230MA	NH230MA	NH193PA	NH193PA				
1	SKIRT R SIDE	64305-LBA2-E00	2	D1R							
2	SKIRT L SIDE	64306-LBA2-E00	2								
3	FENDER FR	61100-LBA2-305	4	D1J		D1S					
4	MOLDING FR	64302-LBA2-305	0								
5	GRID R FR MOLDING	64303-LBA2-E00	2	E4R							
6	GRID L FR MOLDING	64304-LBA2-E00	2								
7	CALIPER ASSY RR	43100-LFG2-E01	1	EBA							
8	CALIPER ASSY FR L/H	45100-LFG2-E01	3								
9	CALIPER ASSY. FR R	45200-LDG7-E03	3	HJA							
10	COVER COMP RIGHT	11330-LLJ3-E00	4								
11	COVER LEFT	11341-LDF2-900	2								
12	COVER LEFT	11341-LDF2-910	2								
13	COVER LEFT	11341-LLJ3-E01	2								
14	HOLE CAP TAPPET	12361-LEA5-E00	1								
15	COVER WATER PUMP	19221-KHE7-900	3								
16	WHEEL RR CAST	42601-LDB2-E00	2								
17	WHEEL SET FR	44650-LBA2-305	0								
18	FORK ASSY REAR	52000-LDB2-E00	5								
19	CAP A.C.G	90084-LEA5-001	1								
20	TAIL CAP MUFFLER	18307-LDB2-E00	0								
21	MUFFLER ASSY..	1830A-LFG2-E00	4					HJP			
22	PROTECTOR MUFFLER	18318-LBA2-E01	0								
23	COVER R SIDE	83520-LBA2-E00	2								
24	COVER L SIDE	83620-LBA2-E00	2								
25	PROTECTOR EXH PIPE	18325-LDB2-900	1	HJS							
DATE OF STARTING-SALES											
DATE OF END-SALES											

NO	MODEL			COLOR CHART OF SB60AB(GR)							
	PHOTO NO			NO. 1	NO. 2	NO. 3	NO. 4				
	BASIC COLOR				Dark Gray Metallic	Pearly White					
	CODE				Dark Gray Metallic	Pearly White					
	PARTS NAME	PARTS NO.	VERSION	NH230MA	NH230MA	NH193PA	NH193PA				
26	WIND SCREEN	64220-LDG7-E00	1	LFR							
27	LEVER R STRG HANDLE	53175-KKE5-E00	0	M3A							
28	LEVER L STRG HANDLE	53178-KKE5-E00	0								
29	CAP M/C	45513-KKA8-900	0	N1A							
30	CAP MASTER CYLINDER	45513-LEA7-E00	1								
31	GRIP COMP THROT	53140-KKC4-900	0	N1R							
32	GRIP L HANDLE	53166-KGB5-900	0								
33	COVER METER FR	53203-LBA2-E00	3								
34	COVER METER RR	53204-LBA2-E00	3								
35	COVER HNDL UP	53205-LBA2-E02	1								
36	COVER R HANDLE LOW	53206-LBA2-E00	1								
37	HOLDER ASSY WIND	6423A-LBA2-E00	1								
38	COVER WIND SCREEN	64250-LBA2-E00	2								
39	FLOOR PANEL	64310-LBA2-E00	4								
40	COVER R PILLION STEP	64311-LBA2-E00	1								
41	MAT R FLOOR	64320-LBA2-E00	2								
42	MAT L FLOOR	64330-LBA2-E00	2								
43	COWL UNDER	64400-LBA2-E00	2								
44	FENDER RR	80105-LBA2-E00	1								
45	COVER CENTER	80151-LBA2-E00	1								
46	LEG SHIELD	81131-LBA2-E01	2								
47	LID ASSY INNER BOX	8114A-LBA2-E00	1								
48	BAND HARNESS WIRE	90656-KUDU-900	0								
49	FORK ASSY R FR	51400-LDB2-E00	4					NEA			
50	BOTTOM CASE R	51421-LBA2-E00	0								
DATE OF STARTING-SALES											
DATE OF END-SALES											

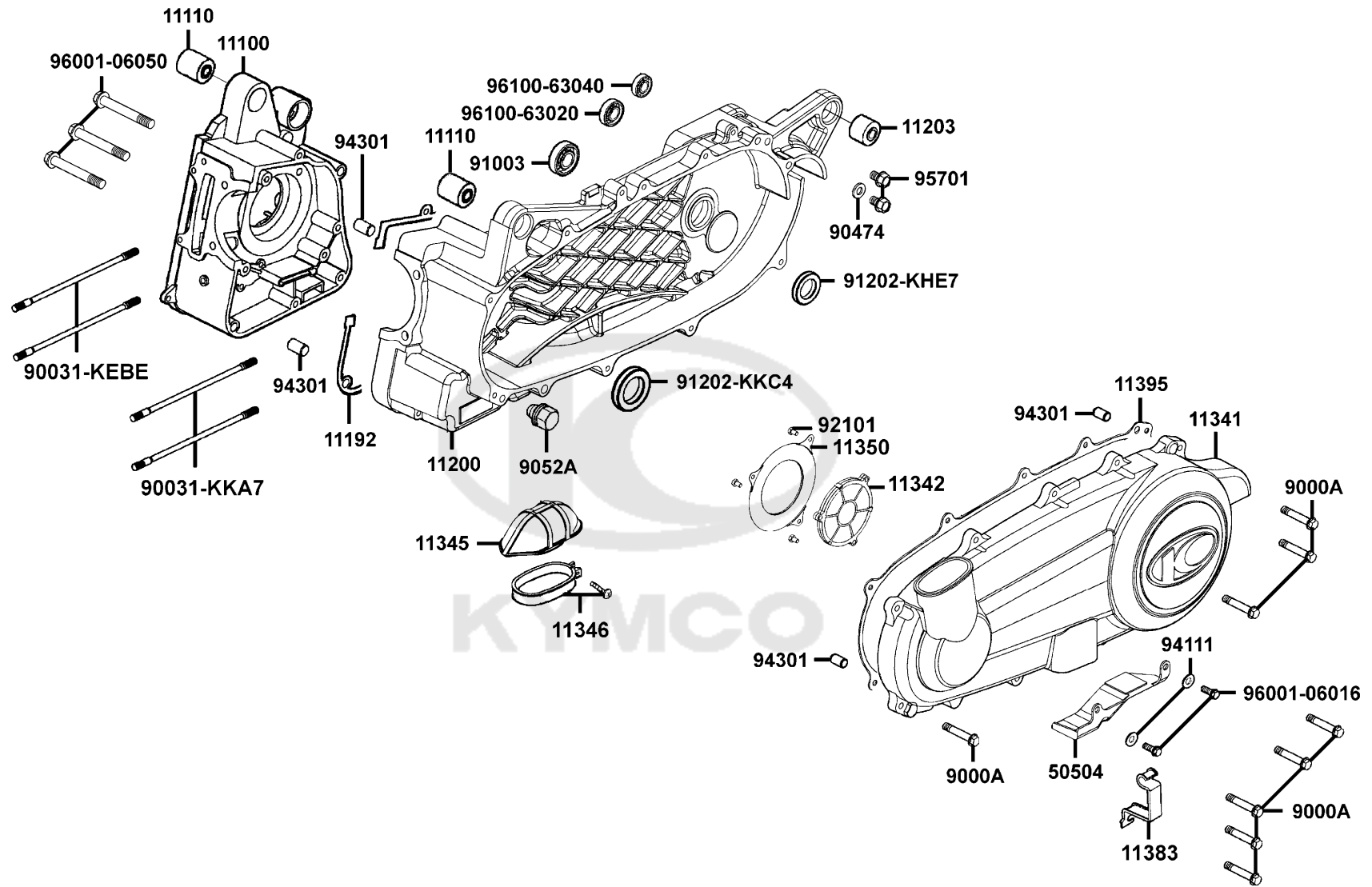
NO	MODEL			COLOR CHART OF SB60AB(GR)			
	PHOTO NO			NO. 1	NO. 2	NO. 3	NO. 4
	BASIC COLOR				Dark Gray Metallic	Pearly White	
	CODE				Dark Gray Metallic	Pearly White	
	PARTS NAME	PARTS NO.	VERSION	NH230MA	NH230MA	NH193PA	NH193PA
51	FORK ASSY L FR	51500-LDB2-E00	4	NEA			
52	BOTTOM CASE L	51521-LBA2-E00	0				
53	MIRROR ASSY R BACK	88110-LBA2-E02	2	NEP			
54	MIRROR ASSY L BACK	88120-LBA2-E02	2				
55	CUSHION ASSY R RR	52400-LDB2-E00	3	NES			
56	END HANDLE	53102-LEA5-E00	3				
57	END R STRG HANDLE	53105-LEA5-E00	3				
58	CARRIER RR	81200-LBA2-E00	2	HKP		NVP	
59	COVER R BODY	83500-LBA2-E00	3				
60	COVER L BODY	83600-LBA2-E00	3				
61	COVER RR CENTER	83750-LBA2-E00	2				
62	CAP COMP FUEL FILLER	17620-LLJ3-E0A	3	NYA			
63	CAP COMP FUEL FILLER	17620-LLJ3-E0B	3				
64	SEAT ASSY	77200-LDG7-E00	1	T01			
65	SEAT ASSY PAD	77220-LDG7-E00	0				
66	STRIPE R FR FENDER	86161-LDG7-E00	1				
67	STRIPE L FR FENDER	86171-LDG7-E00	1				
68	EMB BODY COVER	86202-LDG7-E00	2				
69	STRIPE R FR MOLD	86282-LDG7-E00	1				
70	STRIPE L FR MOLD	86283-LDG7-E00	1				
71	EMB MARK 300	87140-LFG2-E00	2				
72	EMB MARK KYMCO	87206-LBA2-E00	2				
73	STRIPE MARK EURO 3	87311-LCD3-E00	1				
74	EMB R MARK	87311-LDG7-E00	3				
75	LABEL TIRE	87505-LBA2-E00	1				
DATE OF STARTING-SALES							
DATE OF END-SALES							

CONTENTS - ENGINE GROUP

E01 Crank Case	E02 Cylinder Head Cover Cylinder	E03 Cylinder Piston Crankshaft
		
E04 Right Crankcase Cover Water	E05 Transmission Pulley	E06 Starting Motor Oil Pump
		
E07 Transmission	E08 Throttle Body	
		

E01

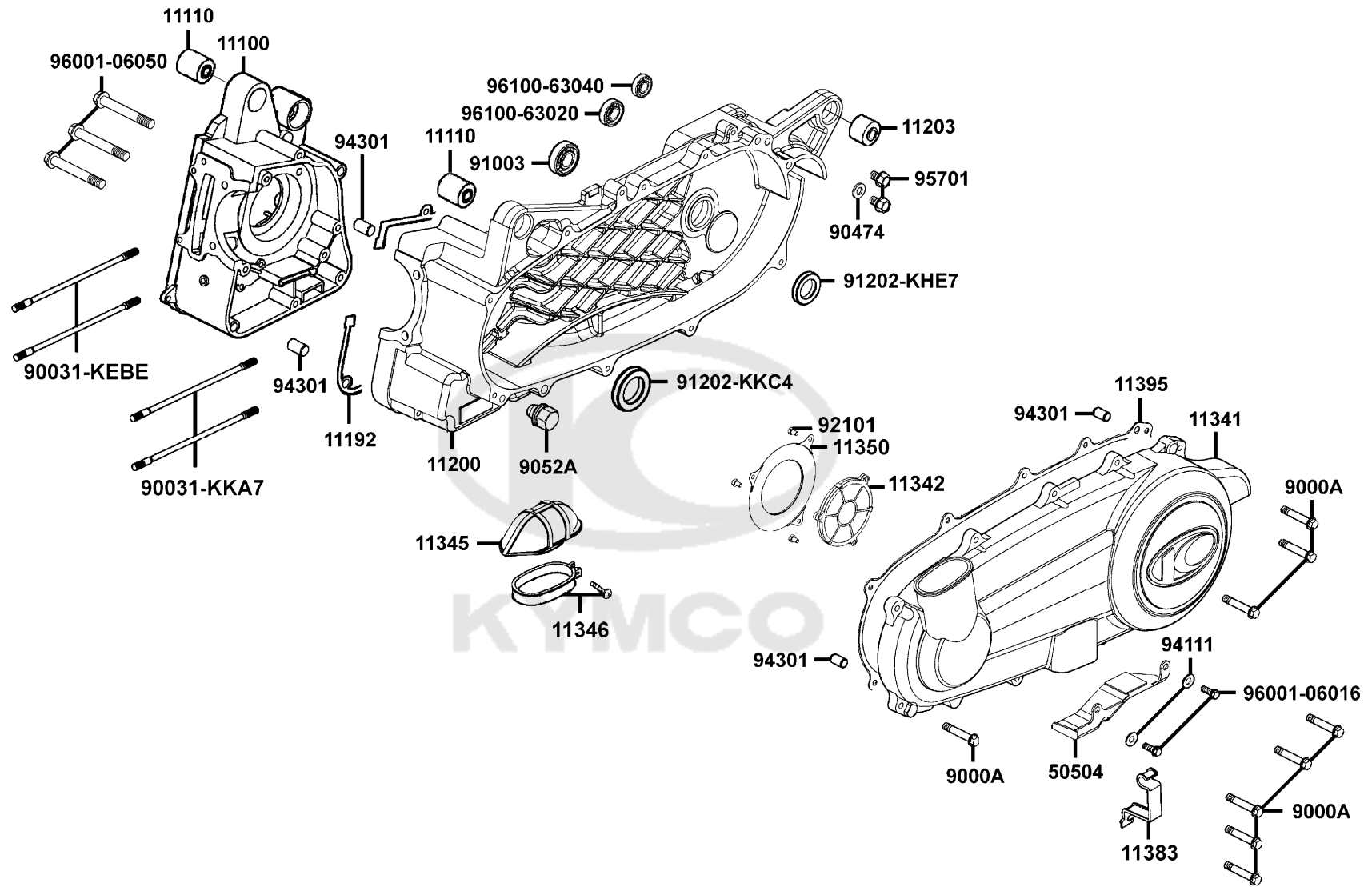
Crank Case



Sales mark	Ref no	Part no	Description	Reg description	Regd no	E01
	11100	11100-LDB2-E00	CRANK CASE COMP R	CRANK CASE COMP R	1	
	11110	11110-LLJ3-E00	BUSH ASSY	BUSH ASSY	2	
	11192	11192-KHE7-900	GASKET CRANK CASE A	GASKET CRANK CASE A	1	
	11200	11200-LDB2-E01	CASE COMP LEFT	CASE COMP LEFT	1	
	11203	11203-LBA2-E00	RUB BUSH L CASE	RUB BUSH L CASE	1	
**	11341	11341-LDF2-900	COVER LEFT	COVER LEFT	1	
**	11341	11341-LDF2-910	COVER LEFT	COVER LEFT	1	
**	11341	11341-LLJ3-E01	COVER LEFT	COVER LEFT	1	
	11342	11342-LDF2-910	PLATE L COVER	PLATE L COVER	1	
	11345	11345-LDB2-E00	DUCT L COVER	DUCT L COVER	1	
	11346	11346-GFY6-901	BAND L COVER DUCT	BAND L COVER DUCT	1	
	11350	11350-LHG7-E00	ELEMENT COMP L COVER	ELEMENT COMP L COVER	1	
	11383	11383-LDF2-900	CLAMPER BREATHER TUBE	CLAMPER BREATHER TUBE	1	
	11395	11395-LLJ3-E01	GASKET L COVER	GASKET L COVER	1	
	50504	50504-LDB2-E00	STAND MAIN STOPPER	STAND MAIN STOPPER	1	
	9000A	9000A-KTDT-900	BOLT ASSY SPECIAL 6*29.5	BOLT ASSY SPECIAL 6*29.5	9	
	90031-KEBE	90031-KEBE-900	BOLT A STUD 8MM	BOLT A STUD 8MM	2	
	90031-KKA7	90031-KKA7-900	BOLT A STUD 8MM	BOLT A STUD 8MM	2	
	90474	90474-3C33-001	WASHER 8MM	WASHER 8MM	1	
	9052A	9052A-LEB1-900	BOLT ASSY DRAIN PLUG	BOLT ASSY DRAIN PLUG	1	

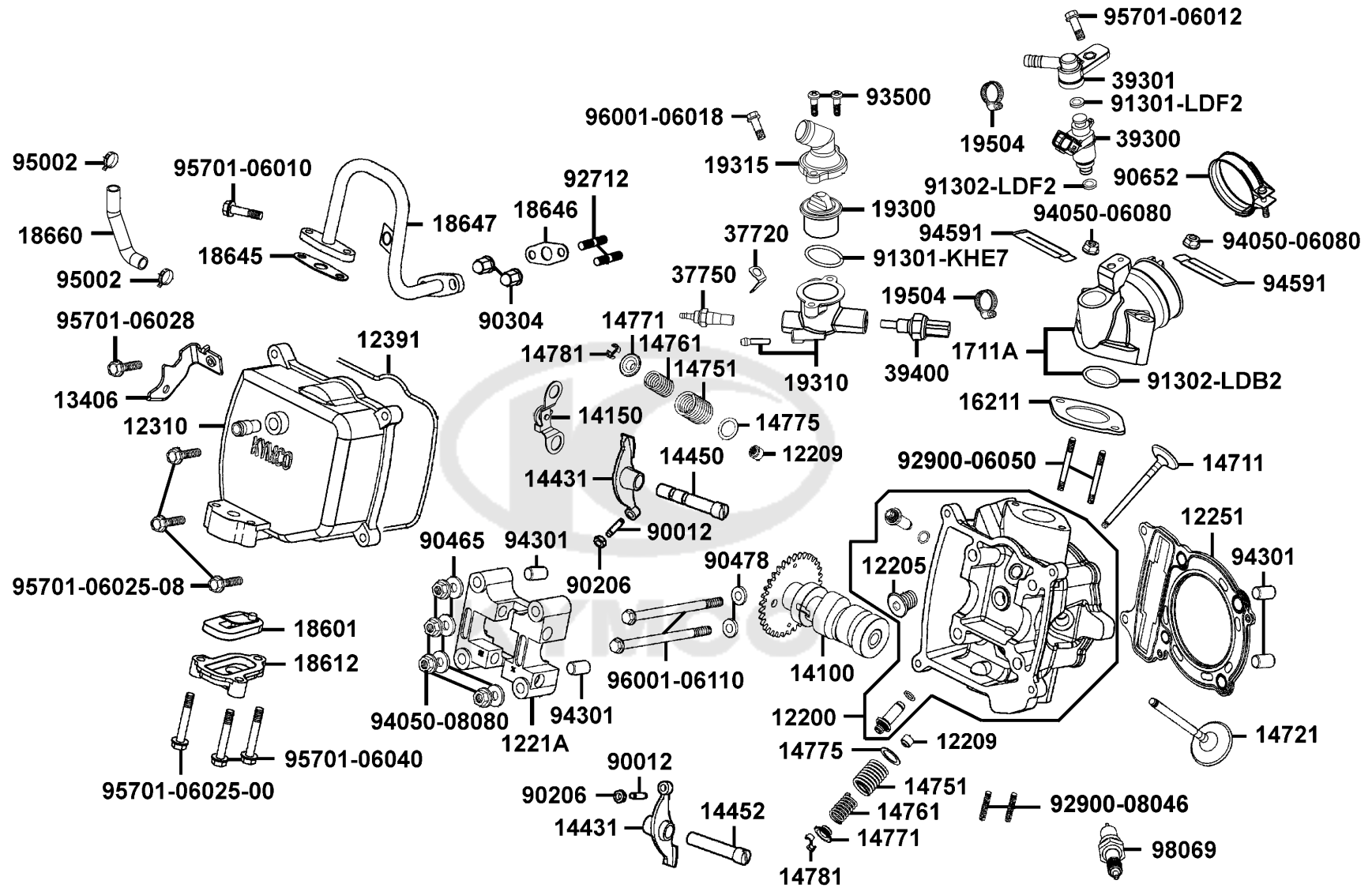
E01

Crank Case



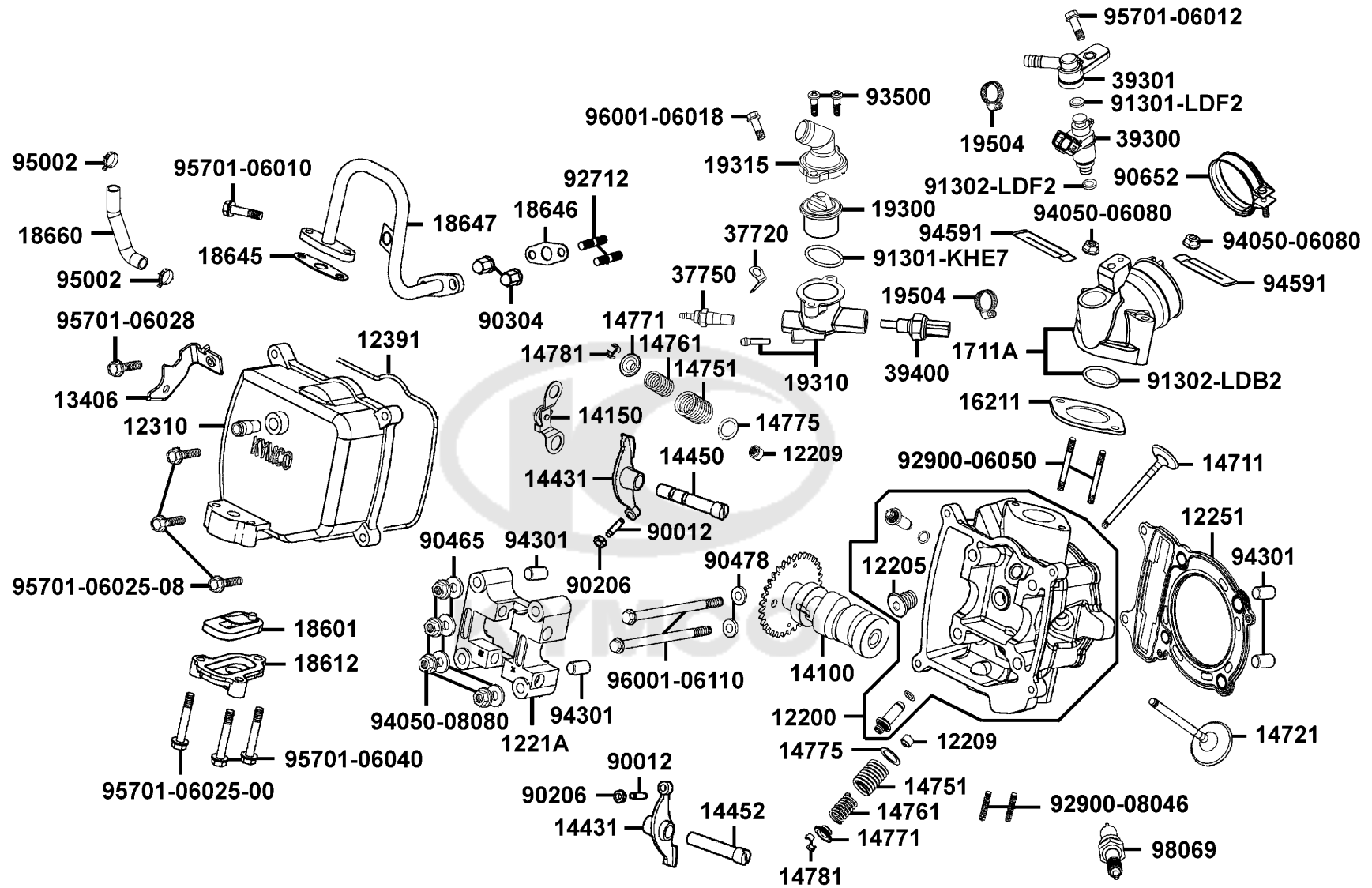
Sales mark	Ref no	Part no	Description	Reg description	Regd no	E01
91003		91003-KHE7-900	BRG BALL RADIAL TMB2/22CCS15	BRG BALL RADIAL TMB2/22CCS15	1	
91202-KHE7		91202-KHE7-900	OIL SEAL 22X34X6	OIL SEAL 22X34X6	1	
91202-KKC4		91202-KKC4-900	OIL SEAL 27*42*7	OIL SEAL 27*42*7	1	
91202-KKC4		91202-KKC4-90B	OIL SEAL 27X42X7	OIL SEAL 27X42X7	1	
91202-KHE7		91202-LHG7-E00	OIL SEAL 22X34X6	OIL SEAL 22X34X6	1	
92101		92101-05008-0A	BOLT HEX 5*8	BOLT HEX 5*8	3	
94111		94111-06800	WASHER SPRING 6MM	WASHER SPRING 6MM	2	
94301		94301-10160	DOWEL PIN 10*16	DOWEL PIN 10*16	4	
95701		95701-08012-08	BOLT FLANGE 8X12	BOLT FLANGE 8X12	2	
96001-06016		96001-06016-08	BOLT FLANGE SH 6*16	BOLT FLANGE SH 6*16	2	
96001-06050		96001-06050-08	BOLT FLANGE SH 6*50	BOLT FLANGE SH 6*50	3	
96100-63020		96100-63020-00	BRG BALL RADIAL 6302	BRG BALL RADIAL 6302	1	
96100-63040		96100-63040-00	BRG BALL RADIAL 6304	BRG BALL RADIAL 6304	1	

Cylinder Head Cover Cylinder Head



Sales mark	Ref no	Part no	Description	Reg description	Regd no	E02
	12200	12200-LFG2-E00	HEAD COMP CYL N	HEAD COMP CYL N	1	
	12205	12205-KHE8-301	BOLT SEALING 12MM	BOLT SEALING 12MM	1	
	12209	12209-GDB4-68A	SEAL VALVE STEM	SEAL VALVE STEM	2	
	12209	12209-GDB4-68B	SEAL VALVE STEM	SEAL VALVE STEM	2	
	1221A	1221A-LDB2-E00	HOLDER COMP CAM SHAFT	HOLDER COMP CAM SHAFT	1	
	12251	12251-KHE7-901	GASKET CYLINDER HEAD	GASKET CYLINDER HEAD	1	
	12310	12310-LDB2-E00	COVER COMP CYL N HEAD	COVER COMP CYL N HEAD	1	
	12391	12391-LDB2-E00	GASKET HEAD COVER	GASKET HEAD COVER	1	
	13406	13406-LDF2-900	PLATE EX AIR INJECTOR	PLATE EX AIR INJECTOR	1	
	14100	14100-LFG2-E00	SHAFT COMP CAM	SHAFT COMP CAM	1	
	14150	14150-LDB2-E00	PLATE COMP STOPPER	PLATE COMP STOPPER	1	
	14431	14431-LDB2-E00	ARM VALVE ROCKER	ARM VALVE ROCKER	2	
	14450	14450-KEBE-900	SHAFT COMP IN ROCKER ARM	SHAFT COMP IN ROCKER ARM	1	
	14452	14452-LDB2-E00	SHAFT EXH ROCKER ARM	SHAFT EXH ROCKER ARM	1	
	14711	14711-LFG2-E00	VALVE INLET	VALVE INLET	1	
	14721	14721-LFG2-E00	VALVE EXHAUST	VALVE EXHAUST	1	
	14751	14751-KHE7-900	SPG VALVE OUTER	SPG VALVE OUTER	2	
	14761	14761-KHE7-900	SPG VALVE INNER	SPG VALVE INNER	2	
	14771	14771-GDB4-680	RETAINER VALVE SPRING	RETAINER VALVE SPRING	2	
	14775	14775-MFA6-001	SEAT VALVE SPG	SEAT VALVE SPG	2	

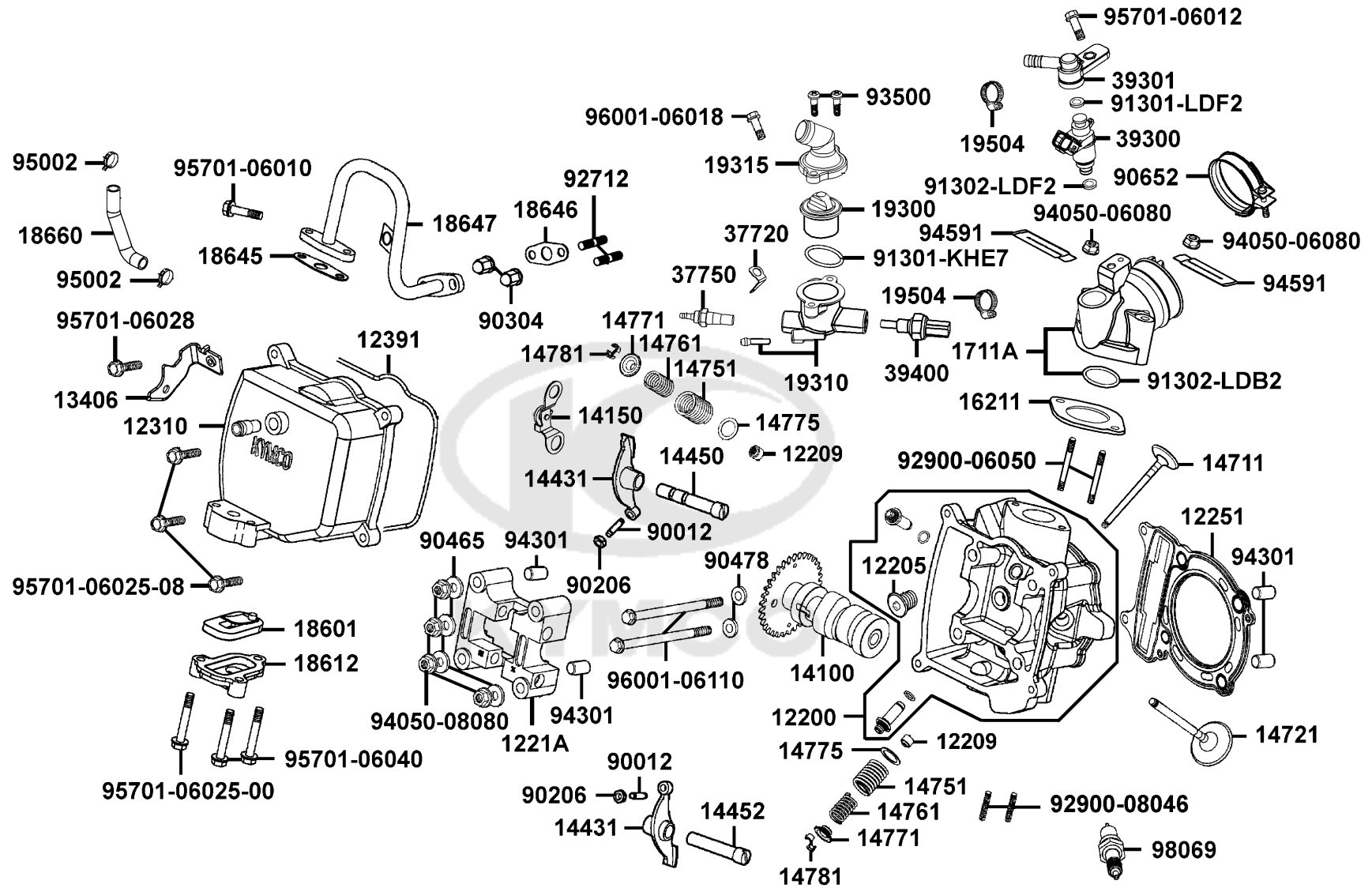
Cylinder Head Cover Cylinder Head



Sales mark	Ref no	Part no	Description	Reg description	Regd no	E02
	14781	14781-MFA6-001	COTTER VALVE	COTTER VALVE	4	
	16211	16211-LDF2-900	INSULATOR CARB	INSULATOR CARB	1	
	1711A	1711A-LDF2-900	PIPE COMP INLET	PIPE COMP INLET	1	
	18601	18601-MAJ1-791	REED VALVE COMP	REED VALVE COMP	1	
	18612	18612-GFY6-941	COVER REED VALVE	COVER REED VALVE	1	
	18645	18645-GFY6-941	GSKT A/I PIPE	GSKT A/I PIPE	1	
	18646	18646-GFY6-941	GSKT A/I PIPE	GSKT A/I PIPE	1	
	18647	18647-LDB2-900	PIPE COMP AIR	PIPE COMP AIR	1	
	18660	18660-LDF2-900	TUBE EX AIR INJECTOR	TUBE EX AIR INJECTOR	1	
	19300	19300-KAE1-004	THERMO STAT ASSY	THERMO STAT ASSY	1	
	19310	19310-LDF2-900	CASE COMP THERMOSTAT	CASE COMP THERMOSTAT	1	
	19315	19315-LDB2-E00	COVER THERMOSTAT	COVER THERMOSTAT	1	
	19504	19504-LBA2-E00	CLAMP D16.8	CLAMP D16.8	2	
	37720	37720-KGB5-900	EARTH TERMINAL THERMO	EARTH TERMINAL THERMO	1	
	37750	37750-PAC1-005	THERMO UNIT ASSY	THERMO UNIT ASSY	1	
	39300	39300-LDF2-800	INJECTOR UNIT FUEL	INJECTOR UNIT FUEL	1	
	39301	39301-LDF2-900	CUP COMP FUEL INJECTOR	CUP COMP FUEL INJECTOR	1	
	39400	39400-LDF2-800	WATER TEMP SENSOR	WATER TEMP SENSOR	1	
	90012	90012-3C33-001	SCREW TAPPET ADJUSTING	SCREW TAPPET ADJUSTING	2	
	90206	90206-0A01-001	NUT TAPPET ADJG	NUT TAPPET ADJG	2	

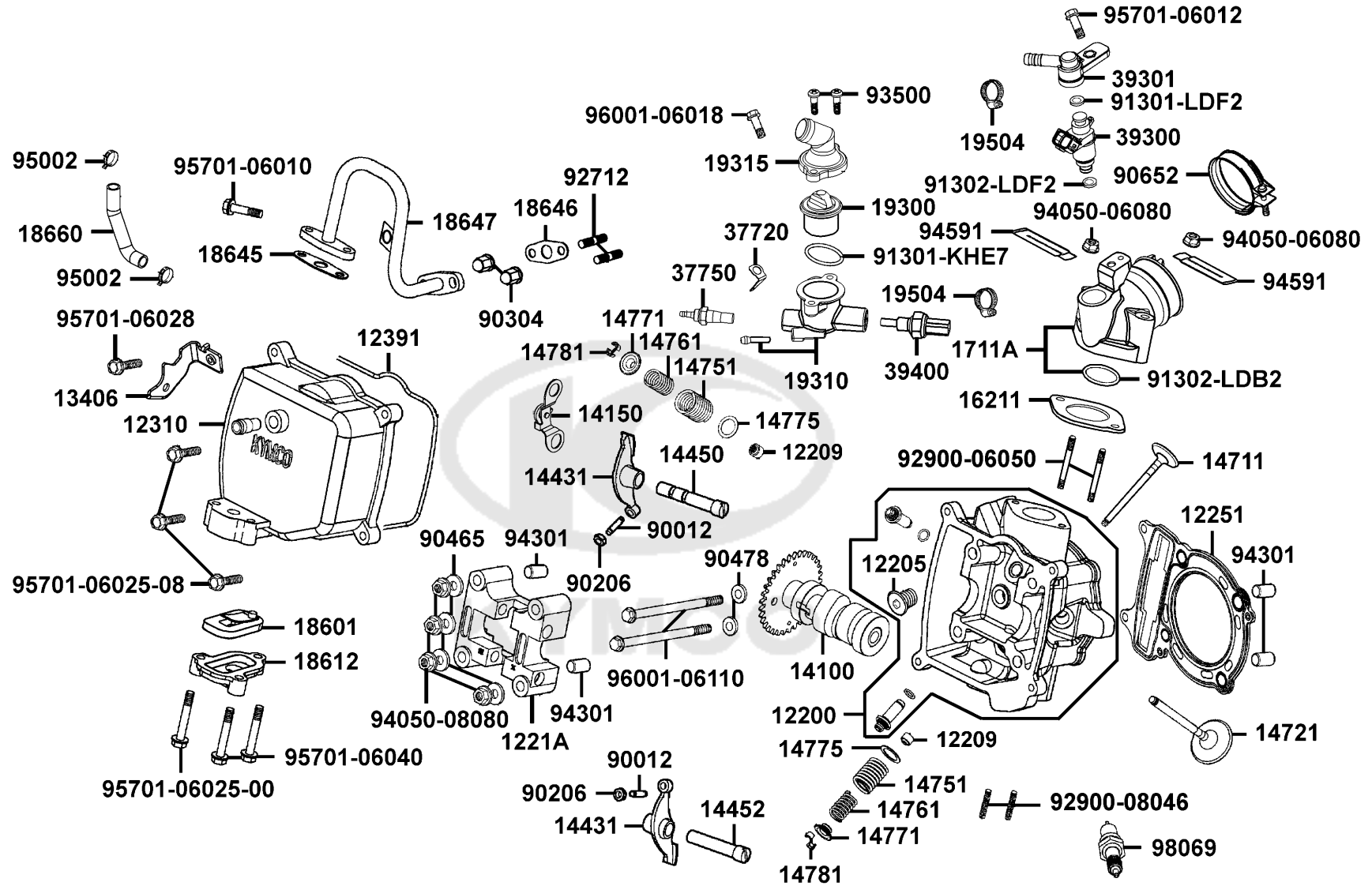
E02

Cylinder Head Cover Cylinder Head



Sales mark	Ref no	Part no	Description	Reg description	Regd no	E02
	90304	90304-4H38-001	NUT HEX CAP 6MM	NUT HEX CAP 6MM	2	
	90465	90465-MDC4-001	WASHER 8MM	WASHER 8MM	4	
	90478	90478-7L00-001	WASHER A 6MM	WASHER A 6MM	2	
	90652	90652-GFY6-901	BAND 49 AIR/C CONNECTING TUBE	BAND 49 AIR/C CONNECTING TUBE	1	
	91301-KHE7	91301-KHE7-900	O-RING 17.8*1.9	O-RING 17.8*1.9	1	
	91301-LDF2	91301-LDF2-800	O-RING 7.47*3.6	O-RING 7.47*3.6	1	
	91302-LDB2	91302-LDB2-E00	O-RING 37*3	O-RING 37*3	1	
	91302-LDF2	91302-LDF2-800	SEAL RING	SEAL RING	1	
	92712	92712-06028-0B	BOLT STUD 6X16	BOLT STUD 6X16	1	
	92900-06050	92900-06050-0B	BOLT STUD 6*50	BOLT STUD 6*50	2	
	92900-08046	92900-08046-0B	BOLT STUD 8X46	BOLT STUD 8X46	2	
	93500	93500-05016-0H	SCREW PAN 5*16	SCREW PAN 5*16	2	
	94050-06080	94050-06080	NUT FLANGE 6MM	NUT FLANGE 6MM	2	
	94050-08080	94050-08080	NUT FLANGE 8MM	NUT FLANGE 8MM	4	
	94301	94301-10160	DOWEL PIN 10*16	DOWEL PIN 10*16	4	
	94591	94591-KFBF-900	CLIP 2*70	CLIP 2*70	2	
	95002	95002-KKD6-E05	CLAMP D18 TUBE	CLAMP D18 TUBE	2	
	95701-06010	95701-06010-08	BOLT FLANGE 6*10	BOLT FLANGE 6*10	1	
	95701-06012	95701-06012-08	BOLT FLANGE 6*12	BOLT FLANGE 6*12	1	
	95701-06025-00	95701-06025-00	BOLT FLANGE SH 6*25	BOLT FLANGE SH 6*25	1	

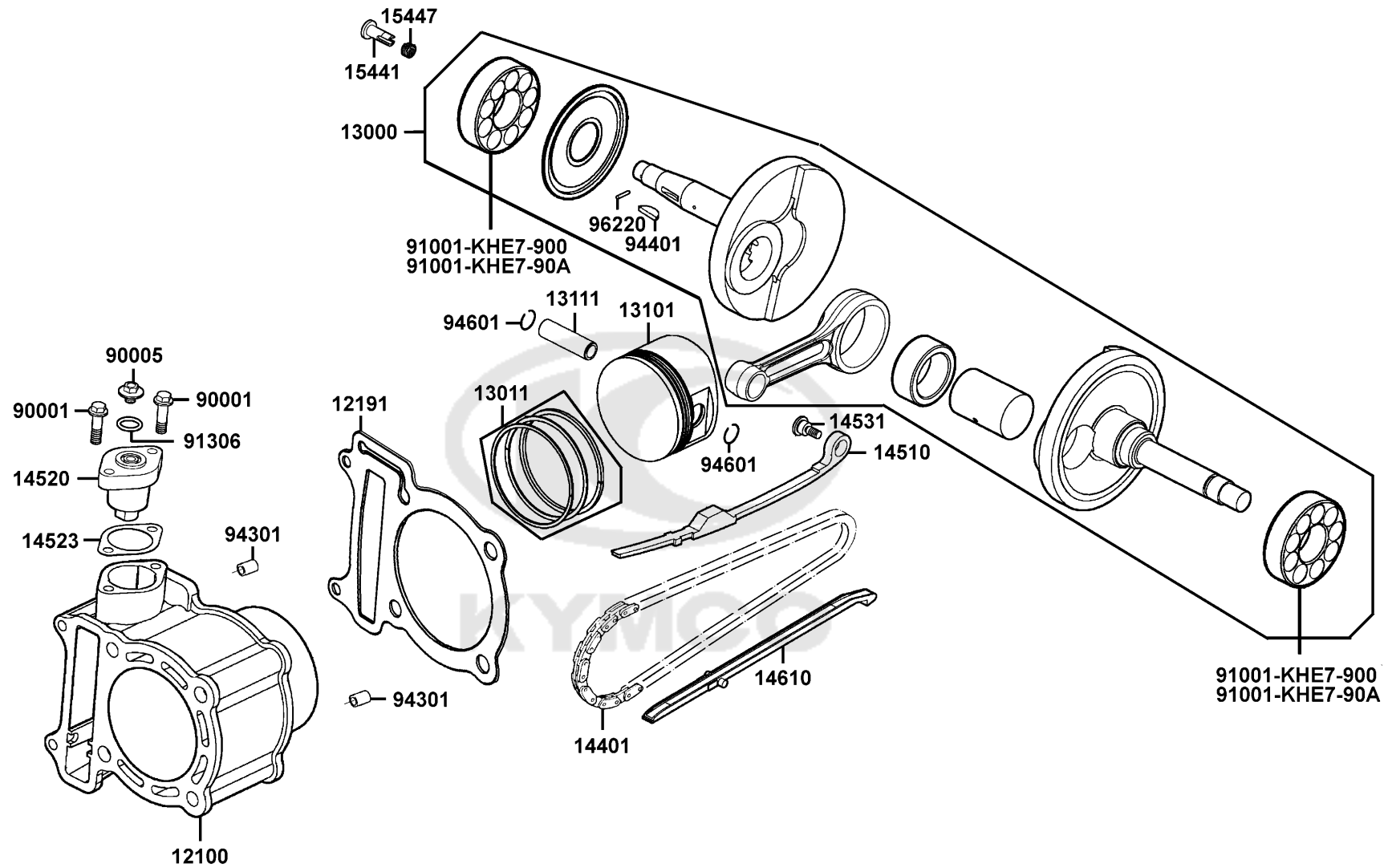
Cylinder Head Cover Cylinder Head



Sales mark	Ref no	Part no	Description	Reg description	Regd no	E02
	95701-06025-08	95701-06025-08	BOLT FLANGE 6*25	BOLT FLANGE 6*25	3	
	95701-06028	95701-06028-08	BOLT FLANGE 86*28	BOLT FLANGE 86*28	1	
	95701-06040	95701-06040-08	BOLT FLANGE 6*40	BOLT FLANGE 6*40	2	
	96001-06018	96001-06018-08	BOLT FLANGE SH 6*18	BOLT FLANGE SH 6*18	1	
	96001-06110	96001-06110-08	BOLT FLANGE SH 6*110	BOLT FLANGE SH 6*110	2	
	98069	98069-5691R-00	SPARK PLUG DPR(7EA-9)	SPARK PLUG DPR(7EA-9)	1	



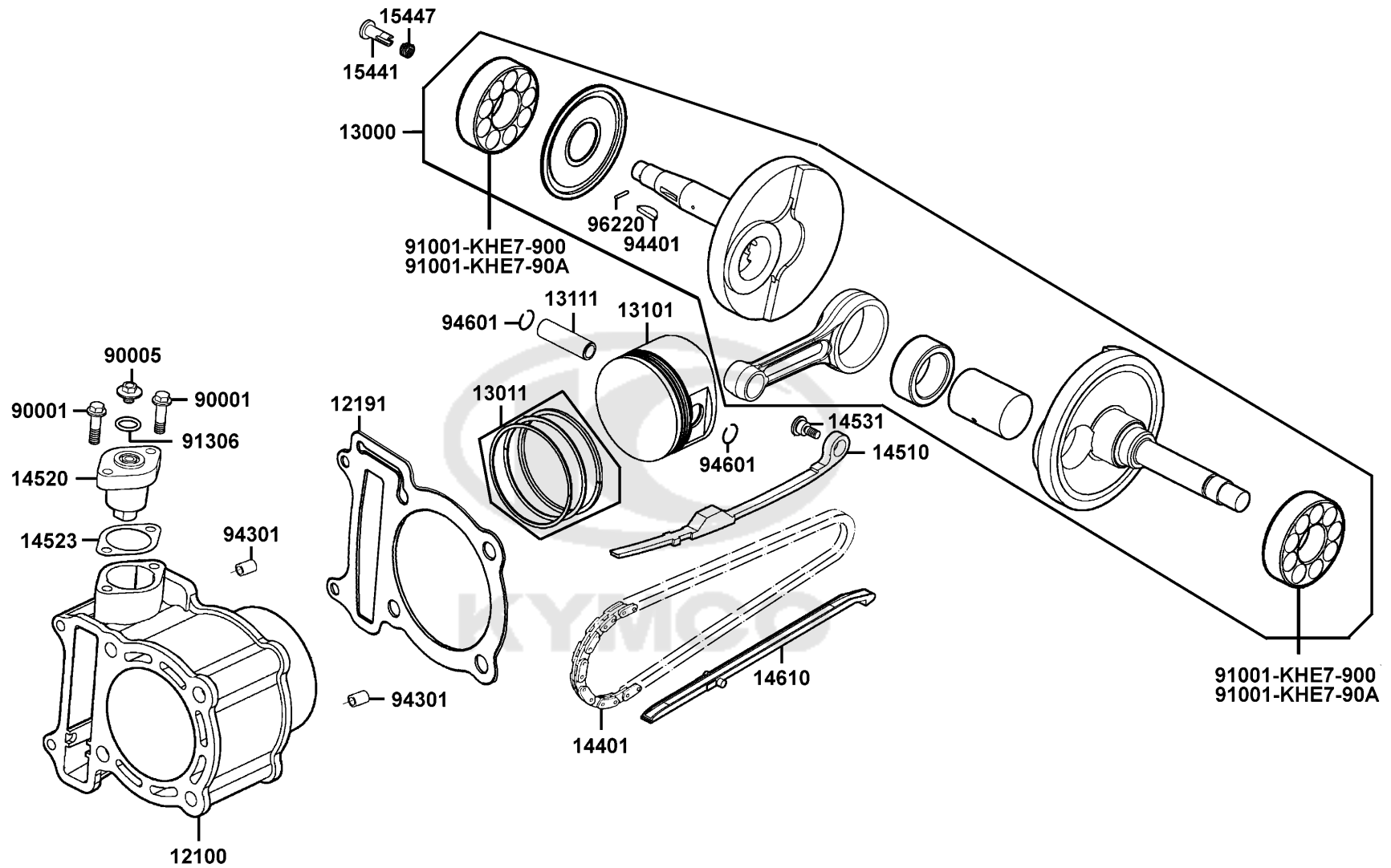
Cylinder Piston Crankshaft



Sales mark	Ref no	Part no	Description	Reg description	Regd no	E03
	12100	12100-LDE9-E00	CYLINDER COMP	CYLINDER COMP	1	
	12191	12191-KHE7-910	GASKET CYLINDER	GASKET CYLINDER	1	
	13000	13000-LFG2-E00	CRANK SHAFT COMP	CRANK SHAFT COMP	1	
	13011	13011-LFG2-E0B	RING SET PISTON	RING SET PISTON	1	
	13101	13101-LFG2-E00	PISTON	PISTON	1	
	13111	13111-LDB2-E00	PIN PISTON	PIN PISTON	1	
	14401	14401-LDE9-E00	CHAIN CAM	CHAIN CAM	1	
	14510	14510-LDE9-E00	TENSIONER CAM CHAIN	TENSIONER CAM CHAIN	1	
	14520	14520-GFY6-90A	LIFTER ASSY TENSIONER	LIFTER ASSY TENSIONER	1	
	14523	14523-KED9-900	GASKET TENSIONER LIFTER	GASKET TENSIONER LIFTER	1	
	14531	14531-KHE7-900	PIVOT CAM CHAIN TENSIONER	PIVOT CAM CHAIN TENSIONER	1	
	14610	14610-LDE9-E00	GUIDE COMP CAM CHAIN	GUIDE COMP CAM CHAIN	1	
	15441	15441-1K49-001	OIL THROUGH	OIL THROUGH	1	
	15447	15447-1K49-001	SPG OIL THROUGH	SPG OIL THROUGH	1	
	90001	90001-GBHB-661	BOLT FLANGE SH 6*22	BOLT FLANGE SH 6*22	2	
	90005	90005-KEC8-900	BOLT SPECIAL 6*6	BOLT SPECIAL 6*6	1	
	91001-KHE7-900	91001-KHE7-900	BRG BALL RADIAL TMB307JR2CS19	BRG BALL RADIAL TMB307JR2CS19	2	
	91001-KHE7-90A	91001-KHE7-90A	BRG BALL RADIAL TMB307JR2CS19	BRG BALL RADIAL TMB307JR2CS19	2	
	91306	91306-1E05-691	O-RING 1.5*9.5	O-RING 1.5*9.5	1	
	94301	94301-10160	DOWEL PIN 10*16	DOWEL PIN 10*16	2	

E03

Cylinder Piston Crankshaft



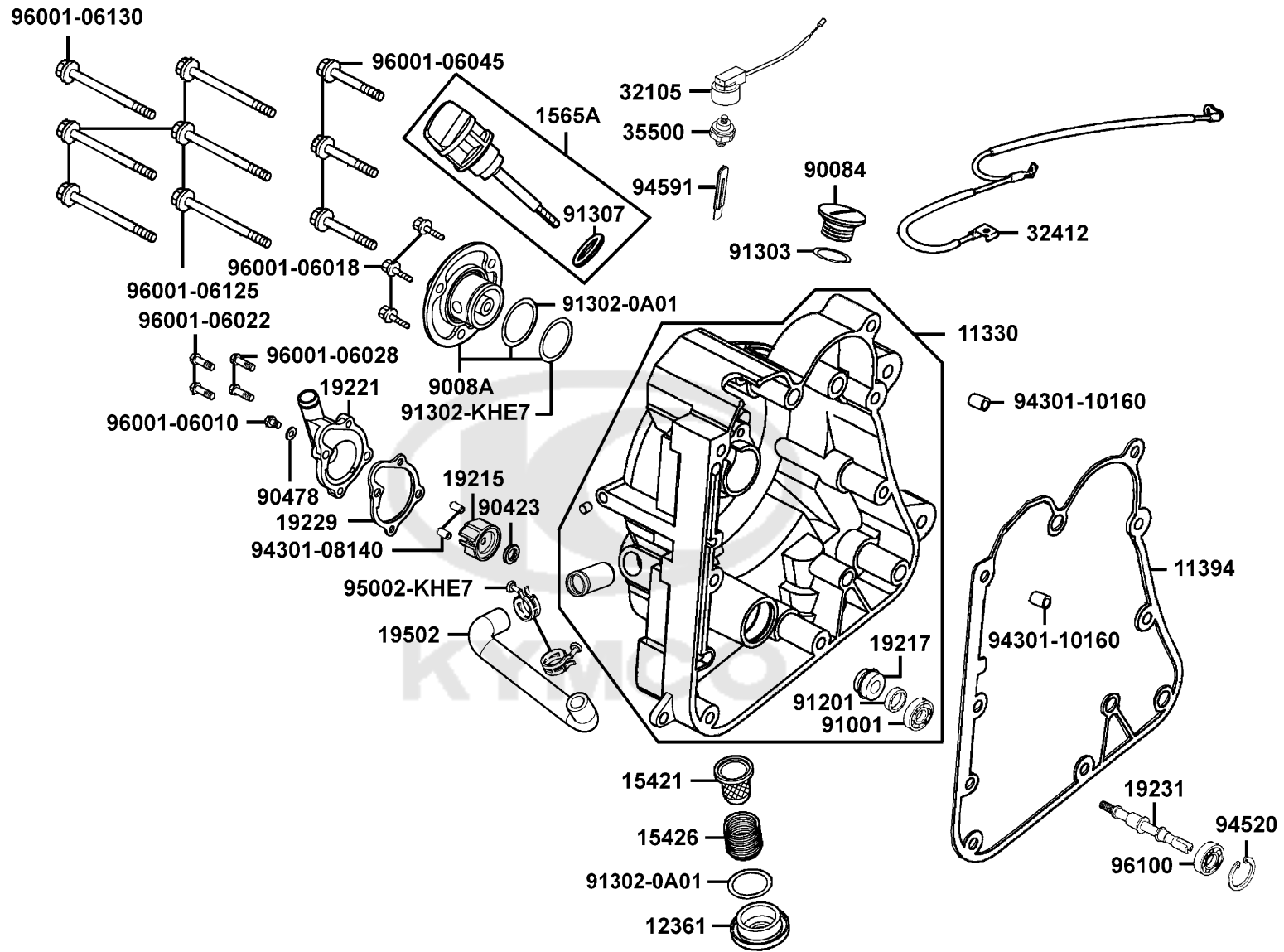
Sales mark	Ref no	Part no	Description	Reg description	Regd no	E03
------------	--------	---------	-------------	-----------------	---------	------------

94401		94401-25140	WOODRUFF KET 25*14	WOODRUFF KET 25*14	1	
94601		94601-17000	CLIP PISTON PIN 17MM	CLIP PISTON PIN 17MM	2	
96220		96220-20118	ROLLER 2*11.8	ROLLER 2*11.8	1	



E04

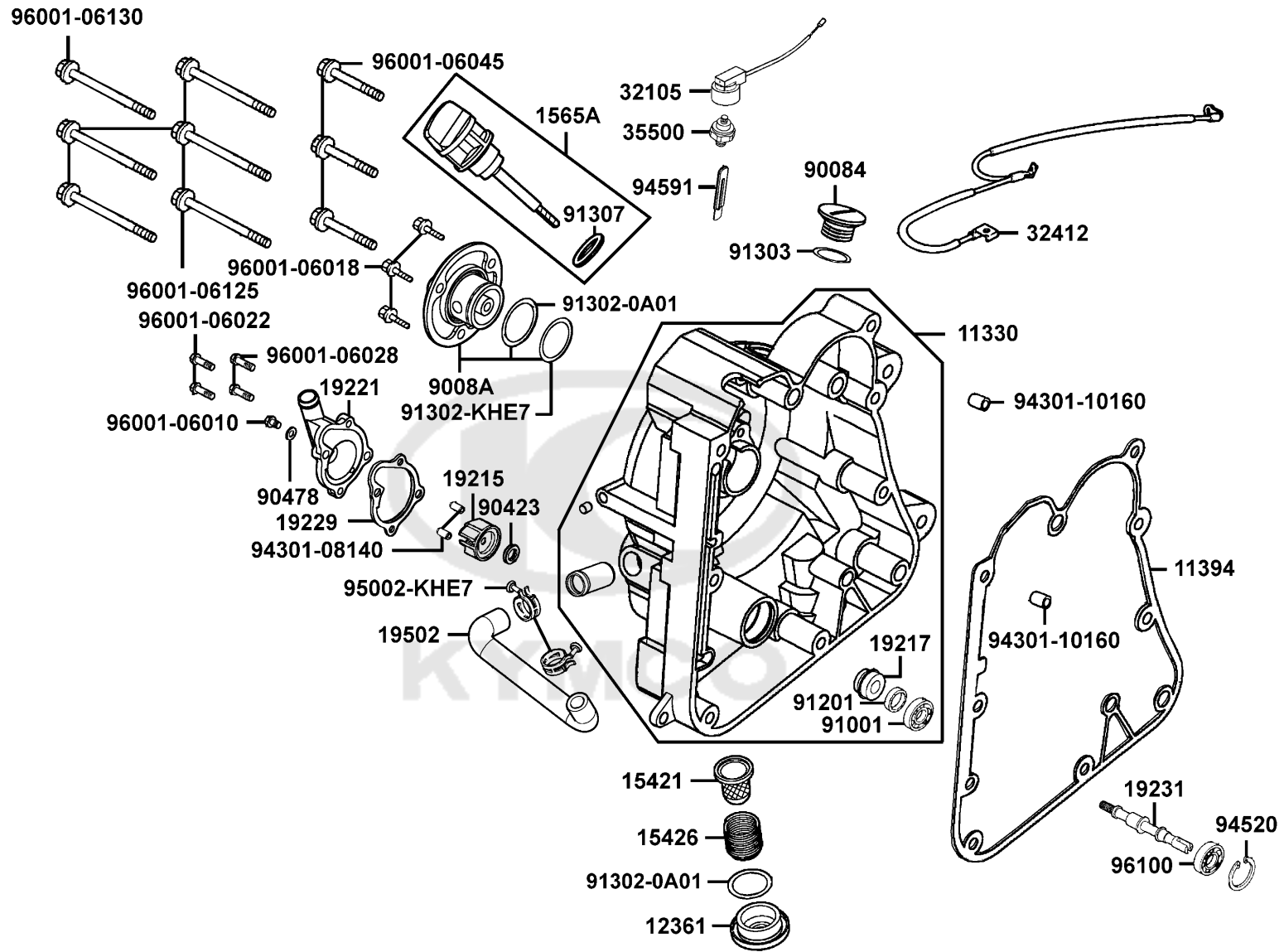
Right Crankcase Cover Water Pump



Sales mark	Ref no	Part no	Description	Reg description	Regd no	E04
**	11330	11330-LLJ3-E00	COVER COMP RIGHT	COVER COMP RIGHT	1	
	11394	11394-KHE7-900	GASKET R COVER @ A	GASKET R COVER @ A	1	
	11394	11394-KHE7-980	GASKET,R COVER @A	GASKET,R COVER @A	1	
**	12361	12361-LEA5-E00	HOLE CAP TAPPET ADJUSTING	HOLE CAP TAPPET ADJUSTING	1	
	15421	15421-1G07-001	SCREEN OIL FILTER	SCREEN OIL FILTER	1	
	15426	15426-GAE1-921	SPG OIL FILTER SCREEN	SPG OIL FILTER SCREEN	1	
	1565A	1565A-KEBE-900	GAUGE OIL LEVEL ASSY	GAUGE OIL LEVEL ASSY	1	
	19215	19215-KHE7-900	IMPELLER WATER PUMP	IMPELLER WATER PUMP	1	
	19217	19217-6G57-024	SEAL MECHANICAL	SEAL MECHANICAL	1	
**	19221	19221-KHE7-900	COVER WATER PUMP	COVER WATER PUMP	1	
	19229	19229-KHE7-900	GASKET WATER PUMP	GASKET WATER PUMP	1	
	19231	19231-KKJ9-011	SHAFT WATER PUMP	SHAFT WATER PUMP	1	
	19502	19502-KHE7-900	HOSE B WATER	HOSE B WATER	1	
	32105	32105-LLJ3-E00	SUB HARNESS	SUB HARNESS	1	
	32412	32412-LDB2-E00	CABLE EARTH	CABLE EARTH	1	
	35500	35500-KED9-900	SW ASSY OIL PRESSURE	SW ASSY OIL PRESSURE	1	
**	90084	90084-LEA5-001	CAP A.C.G	CAP A.C.G	1	
	9008A	9008A-KHE7-900	CAP ASSY R COVER	CAP ASSY R COVER	1	
	90423	90423-KKJ9-001	WASHER 7.2*13*1.2	WASHER 7.2*13*1.2	1	
	90478	90478-7L00-001	WASHER A 6MM	WASHER A 6MM	1	

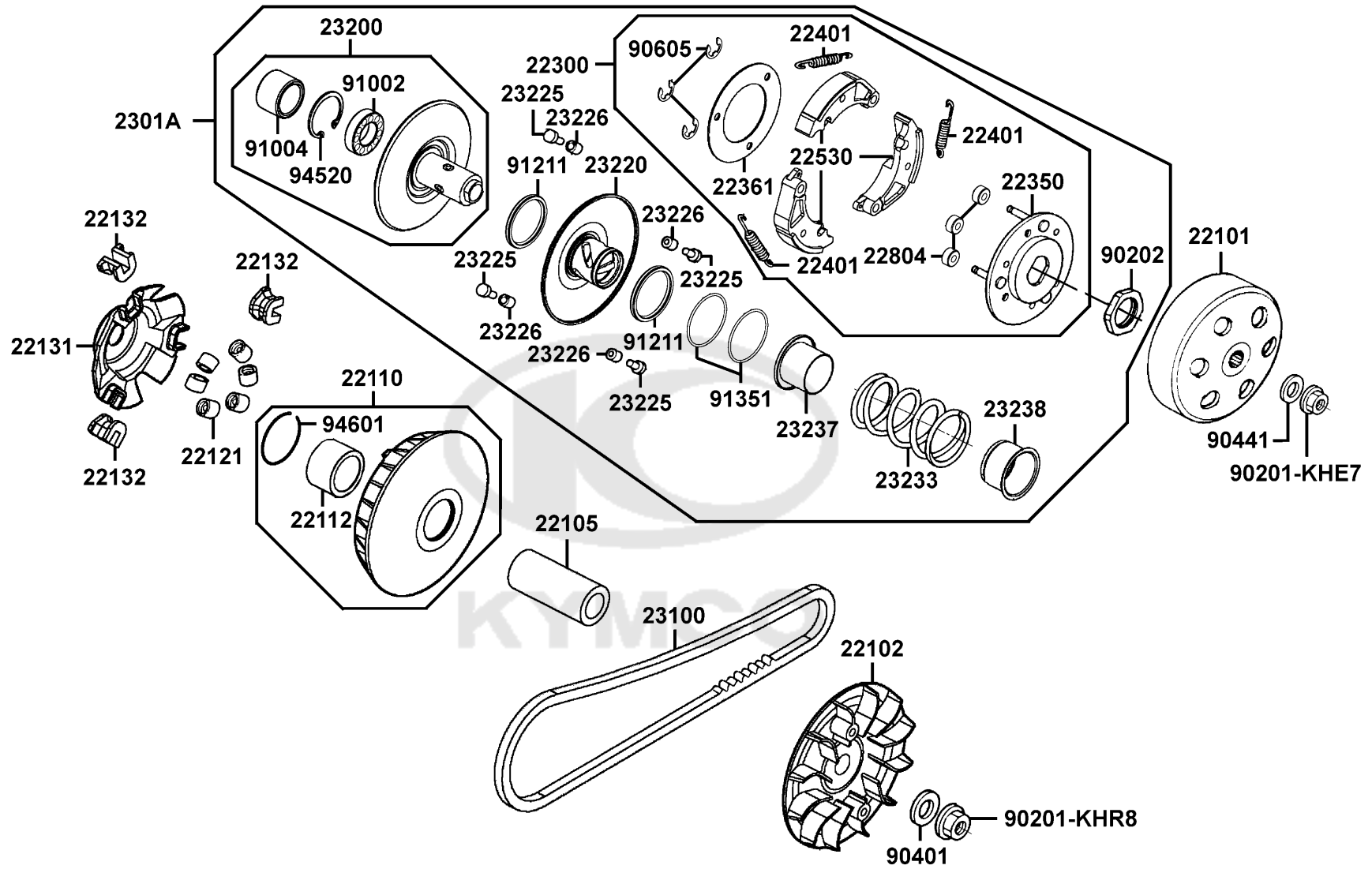
E04

Right Crankcase Cover Water Pump



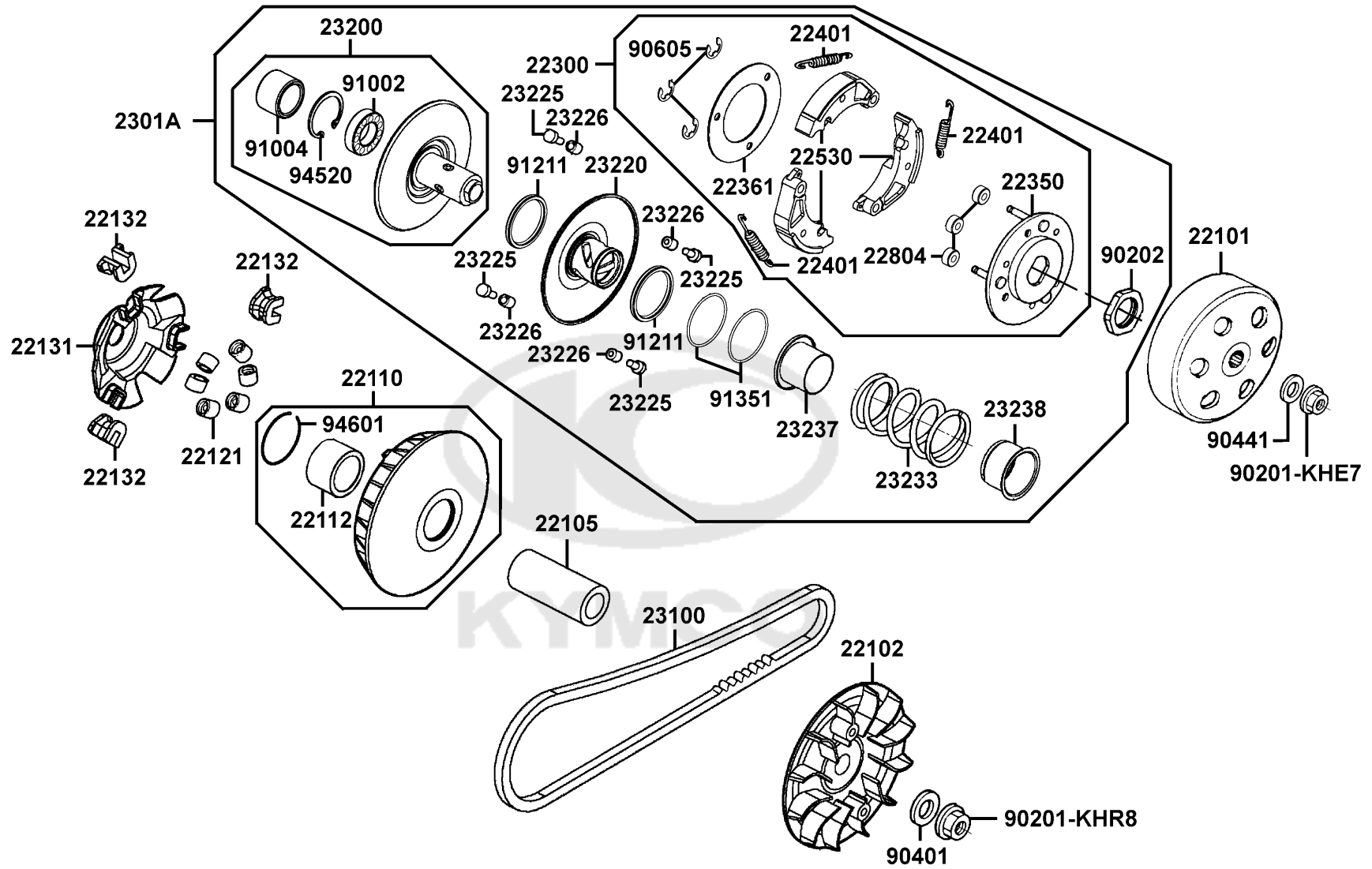
Sales mark	Ref no	Part no	Description	Reg description	Regd no	E04
	91001	91001-KKJ9-006	BRG BALL RADIAL 6901	BRG BALL RADIAL 6901	1	
	91201	91201-KKJ9-004	OIL SEAL 12*20*4	OIL SEAL 12*20*4	1	
	91302-0A01	91302-0A01-021	O-RING 30.8MM	O-RING 30.8MM	2	
	91302-KHE7	91302-KHE7-900	O RING 27.4*2.1	O RING 27.4*2.1	1	
	91303	91303-3G77-001	O-RING 13.8*2.5	O-RING 13.8*2.5	1	
	91307	91307-0E35-001	O RING 18*3	O RING 18*3	1	
	94301-08140	94301-08140	PIN A DOWEL 8*14	PIN A DOWEL 8*14	2	
	94301-10160	94301-10160	DOWEL PIN 10*16	DOWEL PIN 10*16	2	
	94520	94520-26000	CIR CLIP INTERAL 26MM	CIR CLIP INTERAL 26MM	1	
	94591	94591-KFBF-900	CLIP 2*70	CLIP 2*70	1	
	95002-KHE7	95002-KHE7-900	CLIP WATER HOSE	CLIP WATER HOSE	2	
	96001-06010	96001-06010-00	BOLT FLANGE SH 6X10	BOLT FLANGE SH 6X10	1	
	96001-06018	96001-06018-02	BOLT FLANGE 6X18	BOLT FLANGE 6X18	3	
	96001-06022	96001-06022-08	BOLT FLANGE SH 6*22	BOLT FLANGE SH 6*22	2	
	96001-06028	96001-06028-08	BOLT FLANGE SH 6*28	BOLT FLANGE SH 6*28	2	
	96001-06045	96001-06045-08	BOLT FLANGE SH 6*45	BOLT FLANGE SH 6*45	3	
	96001-06125	96001-06125-08	BOLT FLANGE 6*125	BOLT FLANGE 6*125	5	
	96001-06130	96001-06130-08	BOLT FLANGE SH 6*130	BOLT FLANGE SH 6*130	1	
	96100	96100-60000-00	BEARING RADIAL BALL 600	BEARING RADIAL BALL 600	1	

Transmission Pulley



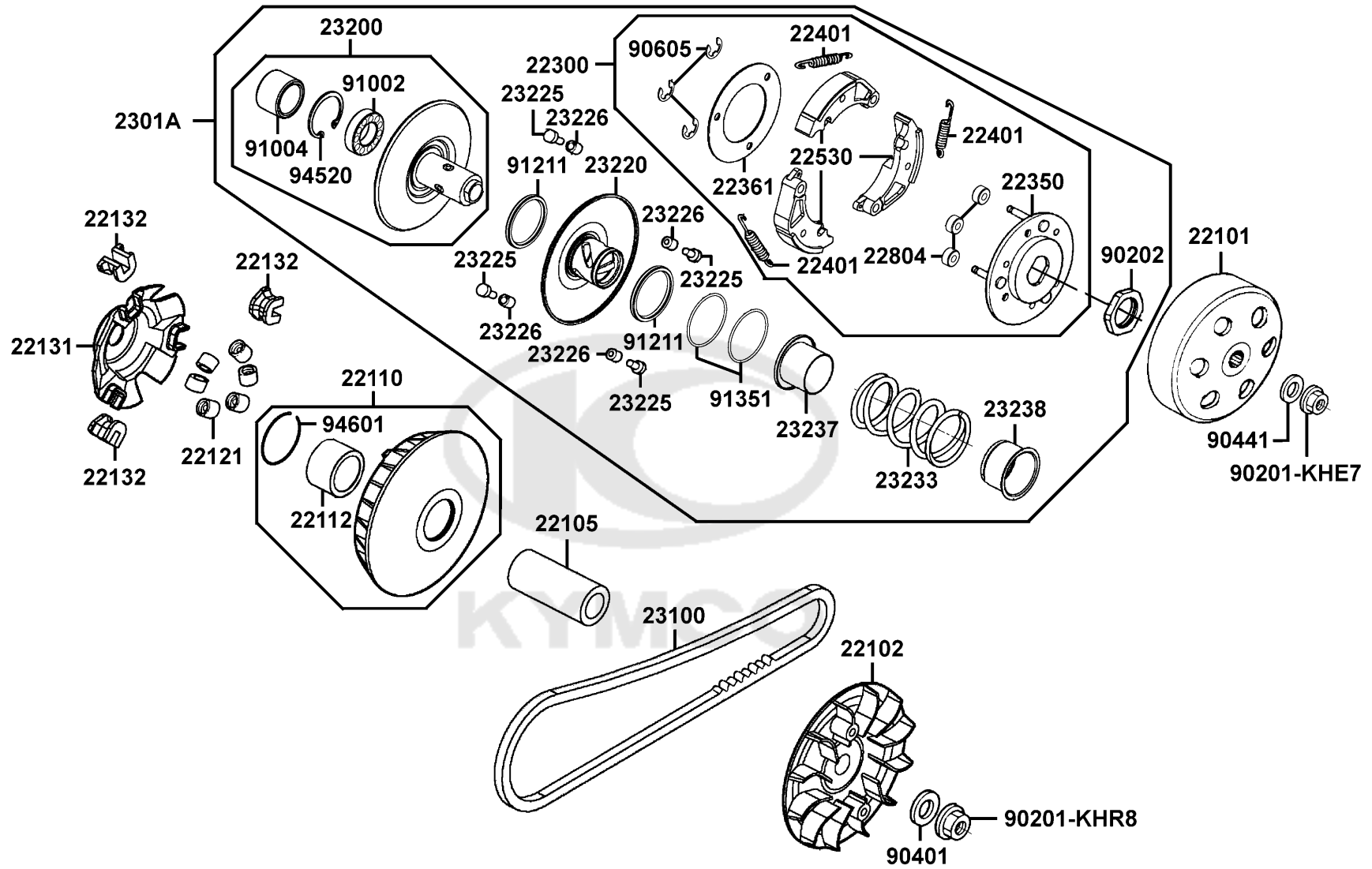
Sales mark	Ref no	Part no	Description	Reg description	Regd no	E05
22101		22101-KHE7-900	OUTER CLUTCH	OUTER CLUTCH	1	
22102		22102-KHE7-900	FACE DRIVE	FACE DRIVE	1	
22105		22105-LBA7-900	BOSS DRIVE FACE	BOSS DRIVE FACE	1	
22110		22110-LFG1-E00	FACE COMP MOVABLE DRIVE	FACE COMP MOVABLE DRIVE	1	
22112		22112-KHE7-900	BUSH 27*33*37	BUSH 27*33*37	1	
22121		22121-LFG2-E00	ROLLER COMP WEIGHT	ROLLER COMP WEIGHT	6	
22131		22131-LBA7-900	PLATE RAMP	PLATE RAMP	1	
22132		22132-KHE7-900	PIECE SLIDE	PIECE SLIDE	3	
22300		22300-KHE7-900	PLATE ASSY DRIVE	PLATE ASSY DRIVE	1	
22300		22300-LFG2-E0A	PLATE ASSY DRIVE	PLATE ASSY DRIVE	1	
22300		22300-LFG2-E80	PLATE ASSY DRIVE	PLATE ASSY DRIVE	1	
22350		22350-KHE7-900	PLATE COMP DRIVE	PLATE COMP DRIVE	1	
22361		22361-LEA7-E00	PLATE CLUTCH SIDE	PLATE CLUTCH SIDE	1	
22401		22401-KHE7-900	SPRING CLUTCH	SPRING CLUTCH	3	
22530		22530-KHE7-900	WEIGHT CLUTCH	WEIGHT CLUTCH	3	
22530		22530-LFG2-E0A	WEIGHT CLUTCH	WEIGHT CLUTCH	3	
22530		22530-LFG2-E80	WEIGHT CLUTCH	WEIGHT CLUTCH	1	
22804		22804-GBB2-001	RUBBER CLUTCH DUMRER	RUBBER CLUTCH DUMRER	3	
2301A		2301A-LFG2-E00	PULLEY SUB ASSY	PULLEY SUB ASSY	1	
2301A		2301A-LFG2-E0A	PULLEY SUB ASSY	PULLEY SUB ASSY	1	

Transmission Pulley



Sales mark	Ref no	Part no	Description	Reg description	Regd no	E05
	2301A	2301A-LFG2-E80	PULLEY SUB ASSY	PULLEY SUB ASSY	1	
	23100	23100-LFG2-E00	BELT DRIVE	BELT DRIVE	1	
	23200	23200-KHE7-900	FACE ASSY DRIVEN	FACE ASSY DRIVEN	1	
	23220	23220-KHE7-900	FACE COMP MOVABLE DRIVEN	FACE COMP MOVABLE DRIVEN	1	
	23220	23220-LFG2-E00	FACE RR MOVABLE DRIVEN	FACE RR MOVABLE DRIVEN	1	
	23225	23225-KHE7-900	PIN ROLLER GUIDE	PIN ROLLER GUIDE	4	
	23226	23226-GHC8-004	ROLLER GUIDE	ROLLER GUIDE	4	
	23233	23233-KHE7-900	SPG DRIVEN FACE	SPG DRIVEN FACE	1	
	23237	23237-KHE7-900	COLLAR SEAL	COLLAR SEAL	1	
	23238	23238-KHE7-900	COLLAR SPG	COLLAR SPG	1	
	90201-KHE7	90201-KHE7-900	NUT C FLANGE M12	NUT C FLANGE M12	1	
	90201-KHR8	90201-KHR8-75A	NUT FLANGE 14MM	NUT FLANGE 14MM	1	
	90202	90202-1G87-001	NUT SPECIAL 28MM	NUT SPECIAL 28MM	1	
	90401	90401-KKJ9-001	WASHER THRUST 14*28*2	WASHER THRUST 14*28*2	1	
	90441	90441-GFY6-941	WASHER 12. 2*29*2.5	WASHER 12. 2*29*2.5	1	
	90605	90605-1F66-721	CIR CLIP 7MM	CIR CLIP 7MM	3	
	91002	91002-GGA7-70A	BRG BALL RADIAL 6902U 15*28*7	BRG BALL RADIAL 6902U 15*28*7	1	
	91004	91004-KHE7-900	BRG NDL 22*29*18	BRG NDL 22*29*18	1	
	91211	91211-KHE7-900	SEAL DRIVEN FACE	SEAL DRIVEN FACE	2	
	91351	91351-KHE7-900	O-RING PINION CAP	O-RING PINION CAP	2	

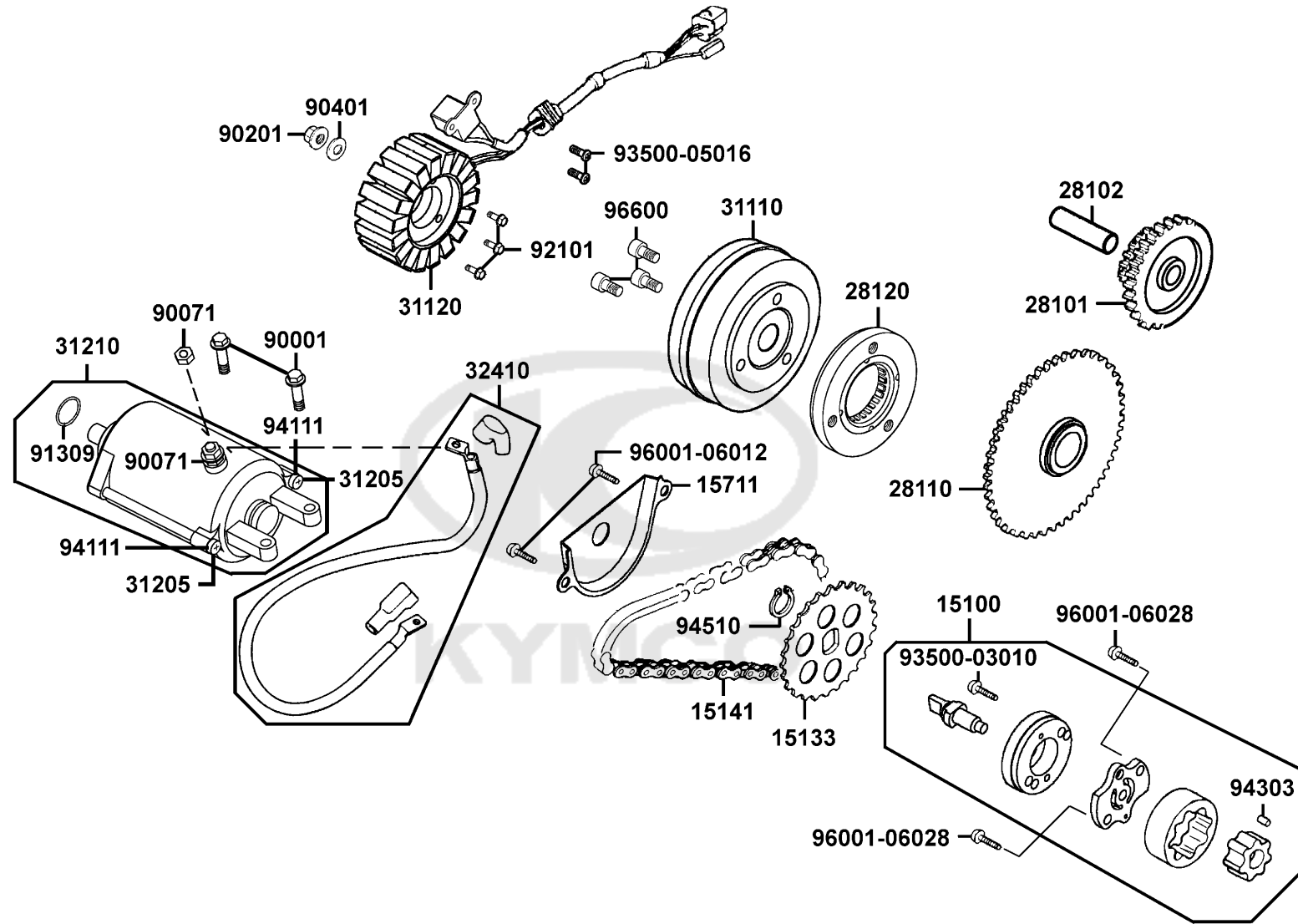
Transmission Pulley



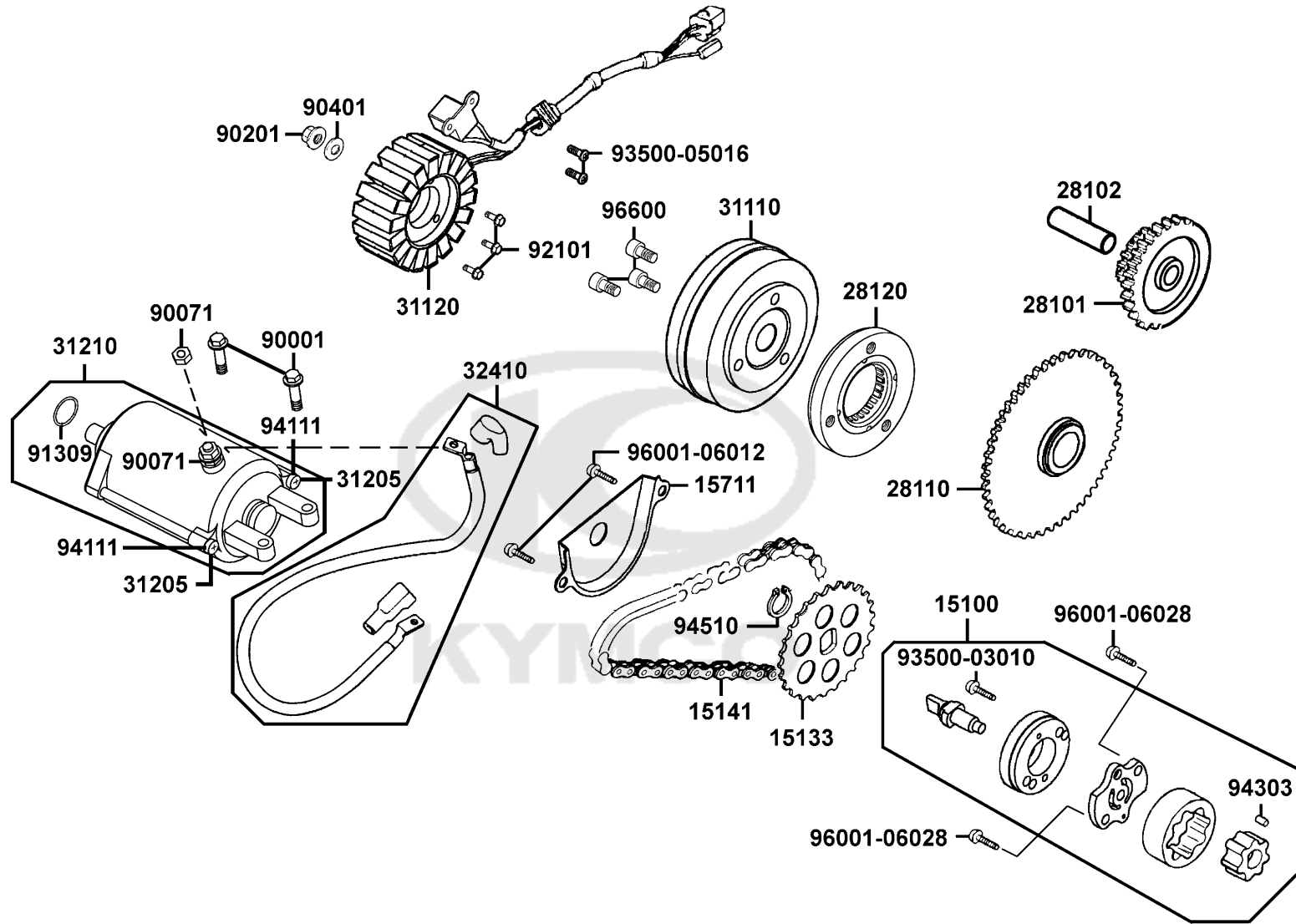
Sales mark	Ref no	Part no	Description	Reg description	Regd no	E05
------------	--------	---------	-------------	-----------------	---------	------------


94520	94520-28000	94520-28000	CIR CLIP IN 28MM	CIR CLIP IN 28MM	1	
94601	94601-33000	94601-33000	CLIP PISTON PIN 33MM	CLIP PISTON PIN 33MM	1	

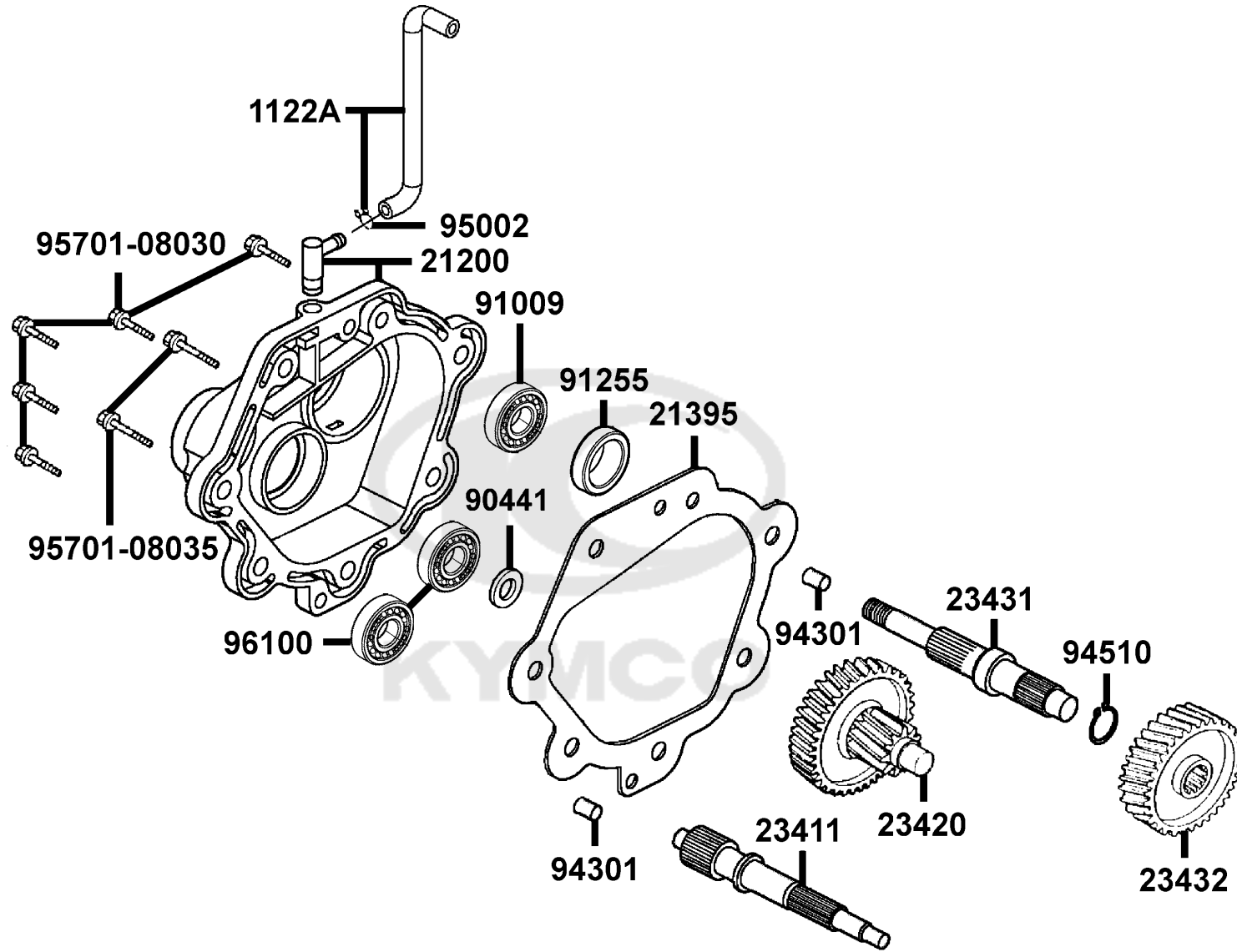




Sales mark	Ref no	Part no	Description	Reg description	Regd no	E06
15100		15100-KKC3-900	PUMP ASSY OIL	PUMP ASSY OIL	1	
15133		15133-KAM1-001	SPRKT OIL PUMP DRIVEN	SPRKT OIL PUMP DRIVEN	1	
15141		15141-KKJ9-004	CHAIN OIL PUMP	CHAIN OIL PUMP	1	
15711		15711-KHE7-900	SEPARATER OIL	SEPARATER OIL	1	
28101		28101-KHE7-900	GEAR STARTER REDUCTION	GEAR STARTER REDUCTION	1	
28102		28102-KHE7-900	SHAFT STARTER REDUCTION	SHAFT STARTER REDUCTION	1	
28110		28110-LDB2-E00	GEAR COMP STARTING CLUTCH	GEAR COMP STARTING CLUTCH	1	
28120		28120-LDB2-E00	ONE WAY CLUTCH	ONE WAY CLUTCH	1	
31110		31110-LDF2-90A	FLYWHEEL COMP /D406	FLYWHEEL COMP /D406	1	
31120		31120-LDF2-90A	STATOR COMP /D406	STATOR COMP /D406	1	
31205		31205-KKJ9-000	BOLT SET	BOLT SET	2	
31210		31210-KHE7-90A	MOTOR UNIT STARTER	MOTOR UNIT STARTER	1	
32410		32410-LDB2-E00	CABLE STARTER MOTOR	CABLE STARTER MOTOR	1	
90001		90001-GBHB-661	BOLT FLANGE SH 6*22	BOLT FLANGE SH 6*22	2	
90071		90071-MLB0-001	NUT WASH 6MM	NUT WASH 6MM	2	
90201		90201-KHR8-75A	NUT FLANGE 14MM	NUT FLANGE 14MM	1	
90401		90401-KKJ9-001	WASHER THRUST 14*28*2	WASHER THRUST 14*28*2	1	
91309		91309-4E25-004	O-RING 24.4*3.1	O-RING 24.4*3.1	1	
92101		92101-05032-0H	BOLT HEX 5*32	BOLT HEX 5*32	3	
93500-03010		93500-03010-1A	SCREW PAN 3*12	SCREW PAN 3*12	1	



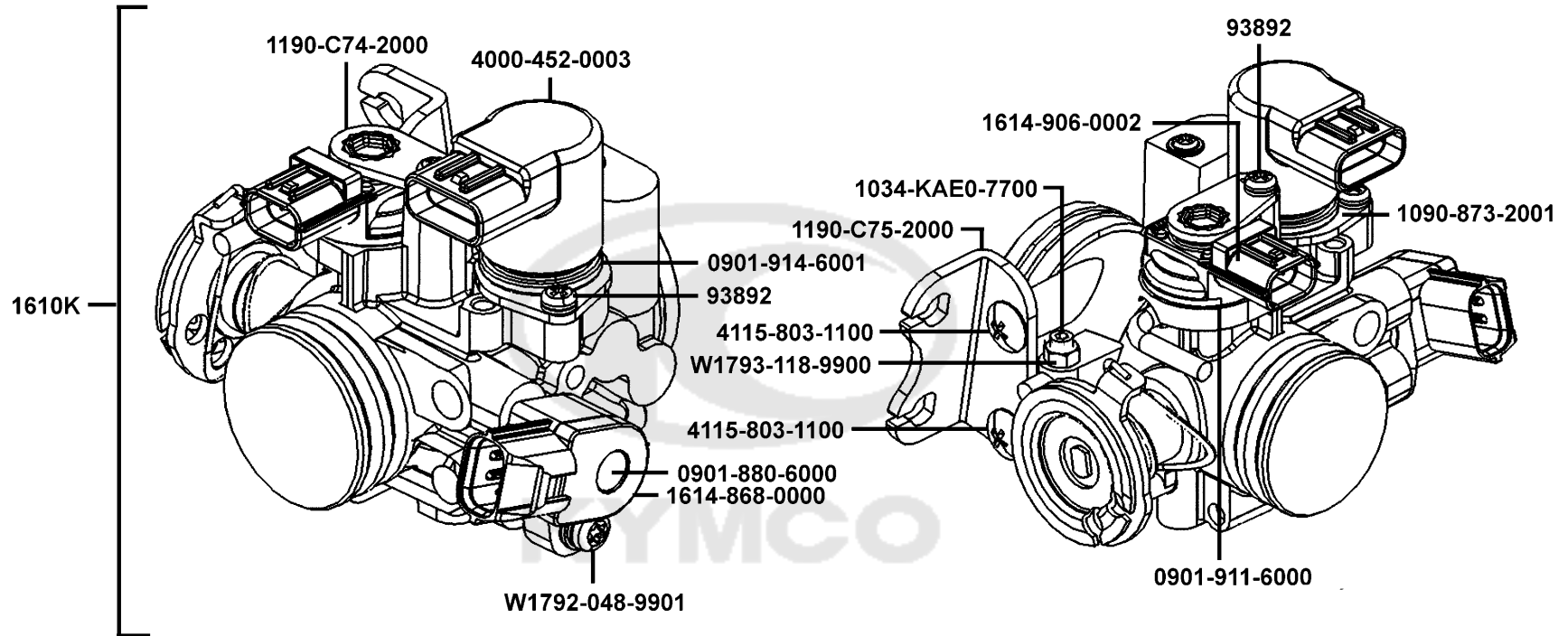
Sales mark	Ref no	Part no	Description	Reg description	Regd no	E06
	93500-05016	93500-05016-0H	SCREW PAN 5*16	SCREW PAN 5*16	2	
	94111	94111-05800	WASHER SPRING 5MM	WASHER SPRING 5MM	2	
	94303	94303-04065	PIN C DOWEL 4*6.5	PIN C DOWEL 4*6.5	1	
	94510	94510-10000	CIR EXTERNAL 10MM	CIR EXTERNAL 10MM	1	
	96001-06012	96001-06012-08	BOLT FLANGE SH 6*12	BOLT FLANGE SH 6*12	2	
	96001-06028	96001-06028-08	BOLT FLANGE SH 6*28	BOLT FLANGE SH 6*28	2	
	96600	96600-08015-10	BOLT SOCKET 8*15	BOLT SOCKET 8*15	3	
						



Sales mark	Ref no	Part no	Description	Reg description	Regd no	E07
1122A		1122A-LDB2-E00	TUBE ASSY MISSION BREATHER	TUBE ASSY MISSION BREATHER	1	
21200		21200-LDB2-E00	CASE COMP MISSION	CASE COMP MISSION	1	
21395		21395-LDF2-900	GASKET MISSION COVER @ A	GASKET MISSION COVER @ A	1	
23411		23411-KHE7-900	SHAFT DRIVE	SHAFT DRIVE	1	
23420		23420-LDB2-E00	SHAFT COMP COUNTER	SHAFT COMP COUNTER	1	
23420		23420-LFG2-E00	SHAFT COMP COUNTER	SHAFT COMP COUNTER	1	
23431		23431-LDB2-E00	SHAFT FINAL	SHAFT FINAL	1	
23432		23432-LDB2-E00	GEAR FINAL	GEAR FINAL	1	
23432		23432-LFG2-E00	GEAR FINAL	GEAR FINAL	1	
90441		90441-KKC4-800	WASHER PLAIN 15.5*23*0.5	WASHER PLAIN 15.5*23*0.5	1	
91009		91009-KHE7-900	BRG BALL RADIAL 6205LLU	BRG BALL RADIAL 6205LLU	1	
91255		91255-KHE7-900	OIL SEAL 34*52*7	OIL SEAL 34*52*7	1	
94301		94301-10160	DOWEL PIN 10*16	DOWEL PIN 10*16	2	
94510		94510-25000	CIR CLIP EX 25	CIR CLIP EX 25	1	
95002		95002-02080	CLIP B8 CHAMBER TUBE	CLIP B8 CHAMBER TUBE	1	
95701-08030		95701-08030-08	BOLT FLANGE 8*30	BOLT FLANGE 8*30	5	
95701-08035		95701-08035-08	BOLT FLANGE 8*35	BOLT FLANGE 8*35	2	
96100		96100-63020-00	BRG BALL RADIAL 6302	BRG BALL RADIAL 6302	2	

E08

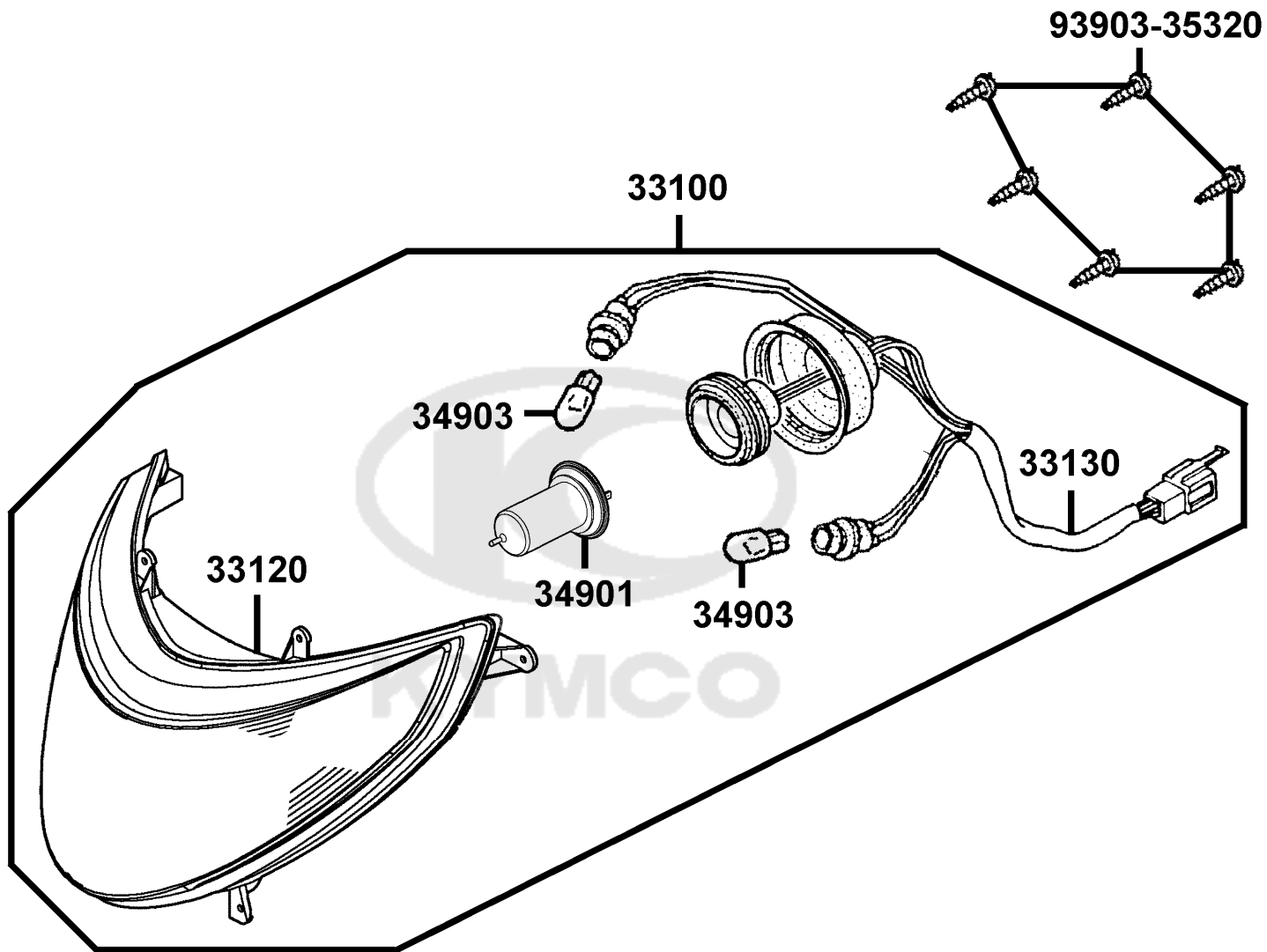
Throttle Body



Sales mark	Ref no	Part no	Description	Reg description	Regd no	E08
	0901-880-6000	0901-880-6000	O-RING/TPS	O-RING/TPS	1	
	0901-911-6000	0901-911-6000	O-RING	O-RING	1	
	0901-914-6001	0901-914-6001	O-RING	O-RING	1	
	1034-KAE0-7700	1034-KAE0-7700	SCREW / THROTTLE	SCREW / THROTTLE	1	
	1090-873-2001	1090-873-2001	SET PLATE	SET PLATE	1	
	1190-C74-2000	1190-C74-2000	STAY PLATE	STAY PLATE	1	
	1190-C75-2000	1190-C75-2000	BRACKET / THROTTLE CABLE	BRACKET / THROTTLE CABLE	1	
	1610K	1610K-LDF2-E00	CARBURETOR ASSY	CARBURETOR ASSY	1	
	1614-868-0000	1614-868-0000	THROTTLE POSITION SENSER	THROTTLE POSITION SENSER	1	
	1614-906-0002	1614-906-0002	MAP SENSOR	MAP SENSOR	1	
	4000-452-0002	4000-452-0010	ISC VALVE	ISC VALVE	1	
	4115-803-1100	4115-803-1100	SCREW PAN	SCREW PAN	1	
	93892	93892-04008-18	SCREW WASHER 4*8	SCREW WASHER 4*8	1	
	W1792-048-9901	W1792-048-9901	SCREW TORX M5*0.8/TPS	SCREW TORX M5*0.8/TPS	1	
	W1793-118-9900	W1793-118-9900	HEX NUT / THROTTLE	HEX NUT / THROTTLE	1	

F01

Head Light

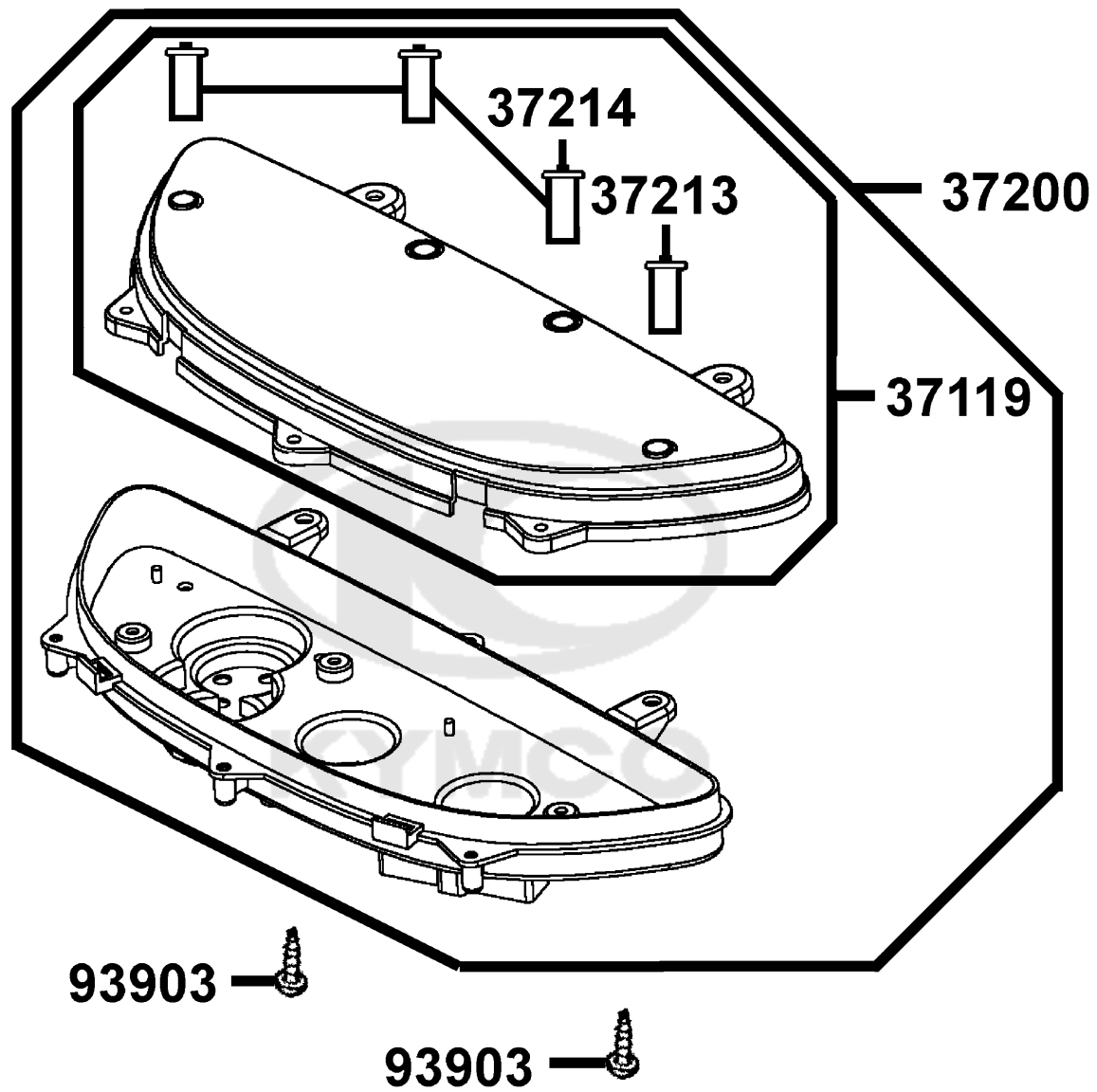


Sales mark	Ref no	Part no	Description	Reg description	Regd no	F01
	33100	33100-LDG7-E03	LIGHT ASSY HEAD	LIGHT ASSY HEAD	1	
	33120	33120-LDG7-E03	UNIT HEAD LIGHT	UNIT HEAD LIGHT	1	
	33130	33130-LBA2-E00	SOCKET COMP	SOCKET COMP	1	
	34901	34901-KED9-900	BULB HEAD LIGHT	BULB HEAD LIGHT	1	
	34903	34903-KPCP-900	BULB POSITION	BULB POSITION	2	
	93903-35320	93903-35320	SCREW TAPPING 5*16	SCREW TAPPING 5*16	6	



F02

Speedometer

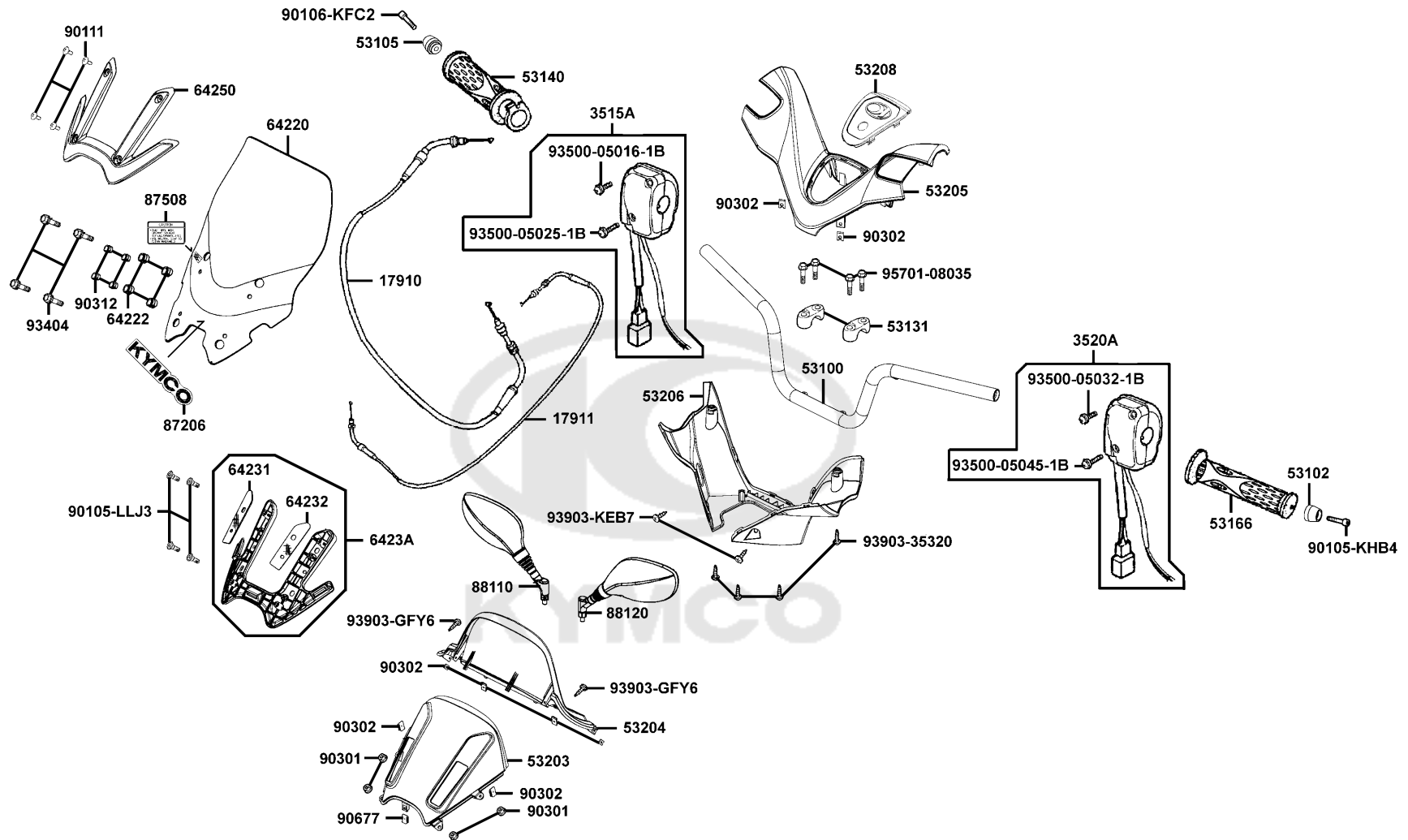


Sales mark	Ref no	Part no	Description	Reg description	Regd no	F02
37119		37119-LBA2-E00	LENS	LENS	1	
37200		37200-LDG7-E03	METER ASSY SPEED	METER ASSY SPEED	1	
37213		37213-LBA2-E00	BUTTON A	BUTTON A	1	
37214		37214-LBA2-E00	BUTTON B	BUTTON B	3	
93903		93903-35320	SCREW TAPPING 5*16	SCREW TAPPING 5*16	2	



F03

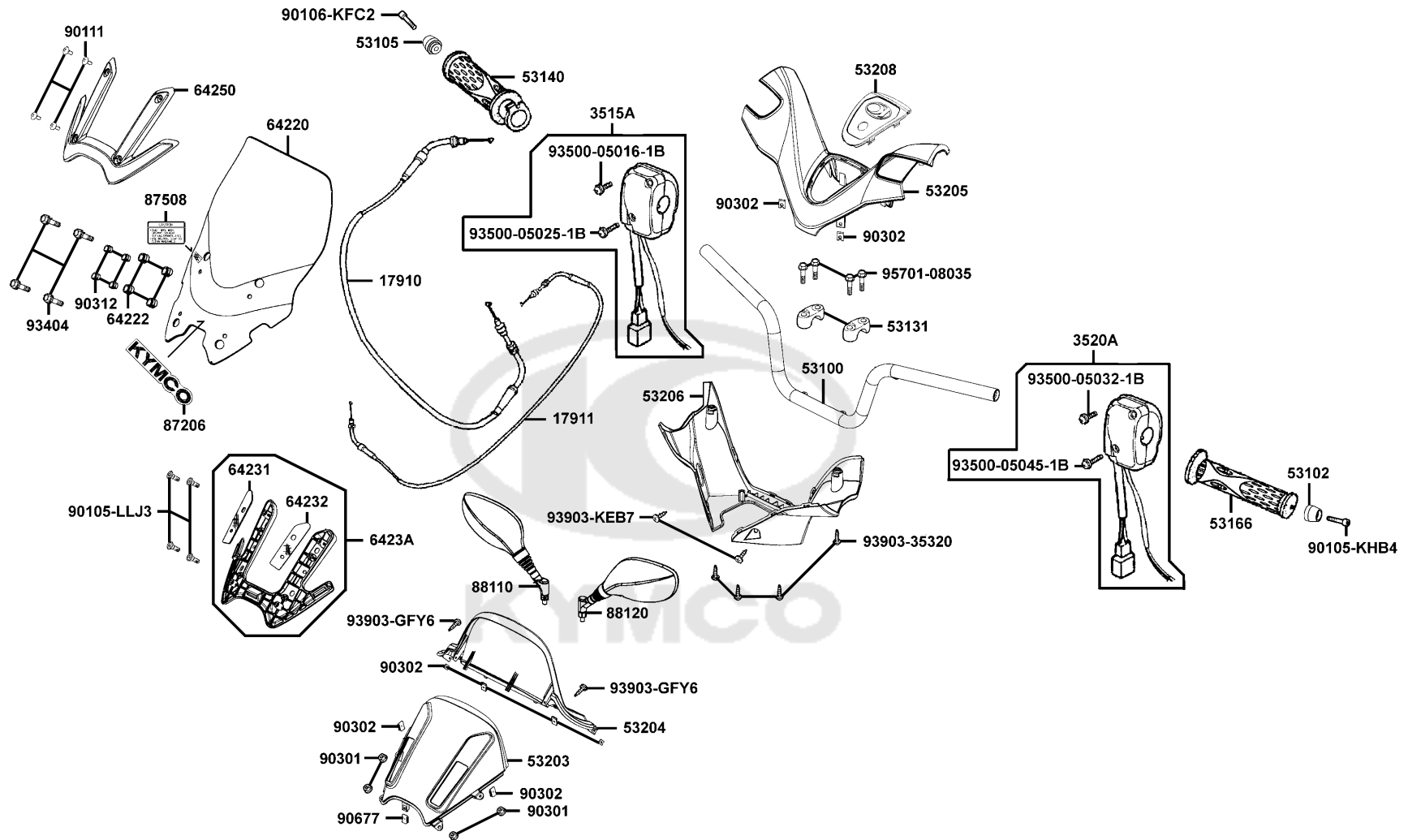
Handle SteeringHandle Cover



Sales mark	Ref no	Part no	Description	Reg description	Regd no	F03
	17910	17910-LDF2-900	CABLE COMP THROT	CABLE COMP THROT	1	
	17911	17911-LDF2-900	CABLE B COMP THROT	CABLE B COMP THROT	1	
	3515A	3515A-LBA2-E01	SW ASSY RH HNDL COMP	SW ASSY RH HNDL COMP	1	
	3520A	3520A-KEBE-900	SW ASSY L HNDL COMP	SW ASSY L HNDL COMP	1	
	53100	53100-LBA2-E00	HANDLE COMP STRG	HANDLE COMP STRG	1	
**	53102	53102-LEA5-E00	END HANDLE	END HANDLE	1	
**	53105	53105-LEA5-E00	END R STRG HANDLE	END R STRG HANDLE	1	
	53131	53131-3H98-941	HOLDER HANDLE PIPE	HOLDER HANDLE PIPE	2	
**	53140	53140-KKC4-900	GRIP COMP THROT	GRIP COMP THROT	1	
**	53166	53166-KGB5-900	GRIP L HANDLE	GRIP L HANDLE	1	
**	53203	53203-LBA2-E00	COVER METER FR	COVER METER FR	1	
**	53204	53204-LBA2-E00	COVER METER RR	COVER METER RR	1	
**	53205	53205-LBA2-E02	COVER HNDL UP	COVER HNDL UP	1	
**	53206	53206-LBA2-E00	COVER R HANDLE LOW	COVER R HANDLE LOW	1	
	53208	53208-LBA2-E00	GRILL HANDLE UP	GRILL HANDLE UP	1	
**	64220	64220-LDG7-E00	WIND SCREEN	WIND SCREEN	1	
	64222	64222-KKC4-900	RUBBER WIND SCREEN	RUBBER WIND SCREEN	4	
	64231	64231-LBA2-E00	SPONGE TAPE R HOLDER	SPONGE TAPE R HOLDER	1	
	64232	64232-LBA2-E00	SPONGE TAPE L HOLDER	SPONGE TAPE L HOLDER	1	
**	6423A	6423A-LBA2-E00	HOLDER ASSY WIND SCREEN	HOLDER ASSY WIND SCREEN	1	

F03

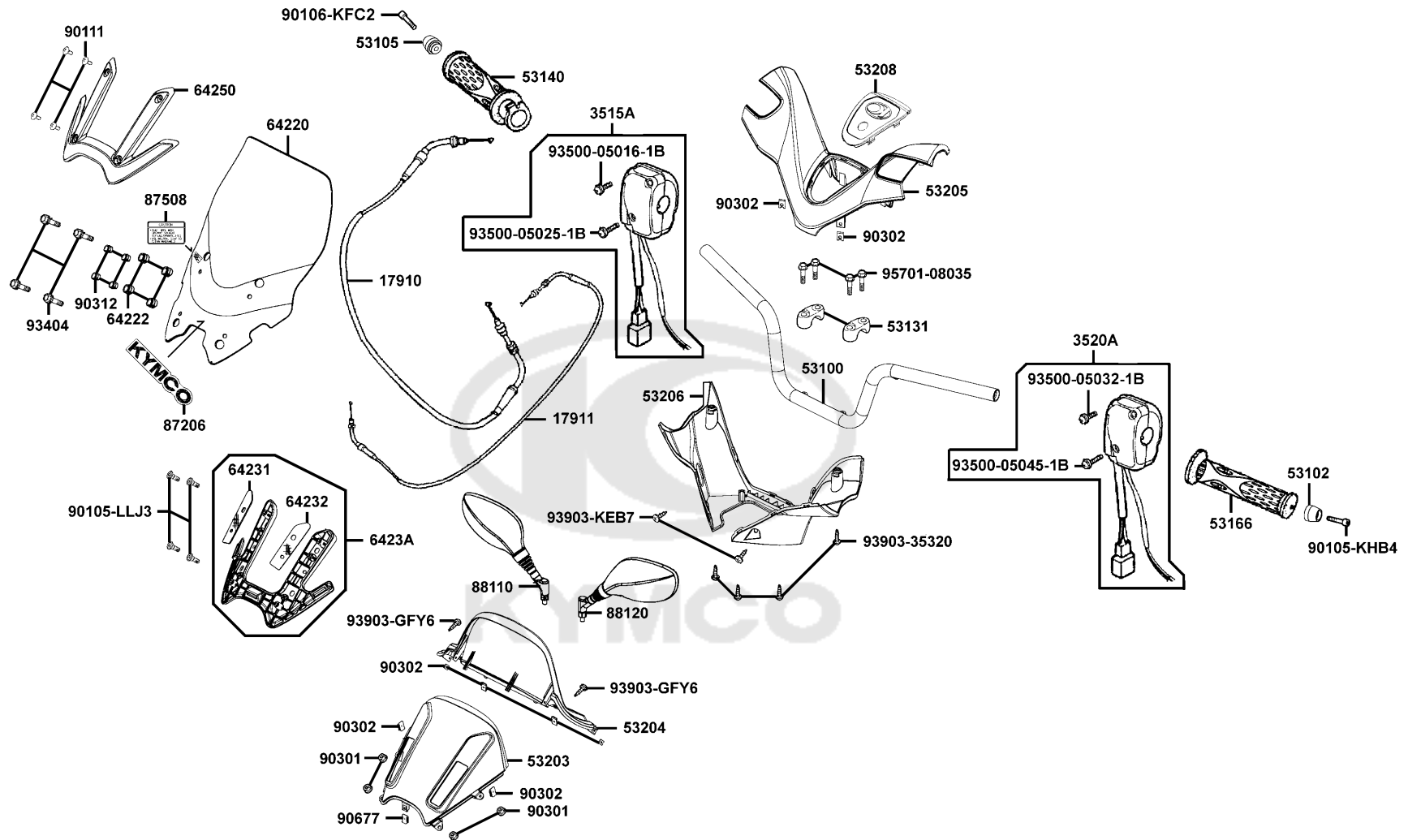
Handle SteeringHandle Cover



Sales mark	Ref no	Part no	Description	Reg description	Regd no	F03
**	64250	64250-LBA2-E00	COVER WIND SCREEN	COVER WIND SCREEN	1	
**	87206	87206-LBA2-E00	EMB MARK KYMCO	EMB MARK KYMCO	1	
**	87508	87508-KKC4-E00	LABEL CLEANNESS CAUYION	LABEL CLEANNESS CAUYION	1	
**	88110	88110-LBA2-E02	MIRROR ASSY R BACK	MIRROR ASSY R BACK	1	
**	88120	88120-LBA2-E02	MIRROR ASSY L BACK	MIRROR ASSY L BACK	1	
	90105-KHB4	90105-KHB4-900	BOLT WASH M8*60	BOLT WASH M8*60	1	
	90105-LLJ3	90105-LLJ3-E00	BOLT SPECIAL 8MM	BOLT SPECIAL 8MM	4	
	90106-KFC2	90106-KFC2-900	BOLT WASH 8MM	BOLT WASH 8MM	1	
	90111	90111-KED9-900	SCREW PAN 6*14	SCREW PAN 6*14	4	
	90301	90301-6D34-671	NUT FLANGE 6MM	NUT FLANGE 6MM	4	
	90302	90302-SDA4-004	NUT SPRING 4MM	NUT SPRING 4MM	8	
	90312	90312-GLF0-001	COLLAR BODY COVER	COLLAR BODY COVER	4	
	90677	90677-GAR1-004	NUT CLIP 5MM	NUT CLIP 5MM	1	
	93404	93404-06020-06	BOLT WASHER 6*20	BOLT WASHER 6*20	4	
	93500-05016-1B	93500-05016-1B	SCREW PAN 5*16	SCREW PAN 5*16	1	
	93500-05025-1B	93500-05025-1B	SCREW PAN 5*25	SCREW PAN 5*25	1	
	93500-05032-1B	93500-05032-1B	SCREW PAN 5*32	SCREW PAN 5*32	1	
	93500-05045-1B	93500-05045-1B	SCREW PAN 5*45	SCREW PAN 5*45	1	
	93903-35320	93903-35320	SCREW TAPPING 5*16	SCREW TAPPING 5*16	4	
	93903-GFY6	93903-GFY6-900	SCREW TAPP 4*14	SCREW TAPP 4*14	2	

F03

Handle Steering Handle Cover

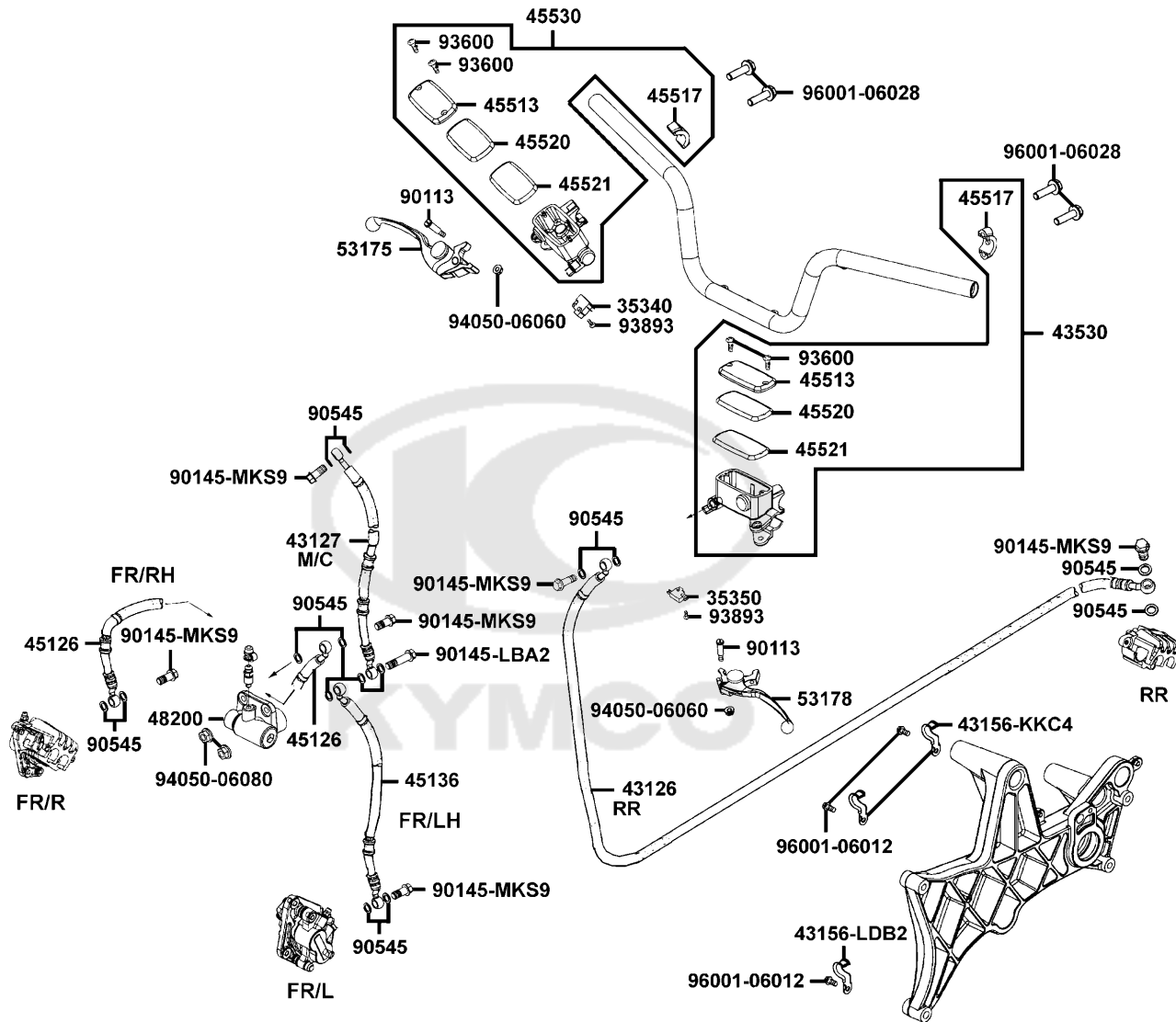


Sales mark	Ref no	Part no	Description	Reg description	Regd no	F03
------------	--------	---------	-------------	-----------------	---------	------------

93903-KEB7		93903-KEB7-900-06	SCREW WASHER 4MM	SCREW WASHER 4MM	2	
95701-08035		95701-08035-06	BOLT FLANGE 8*35	BOLT FLANGE 8*35	4	



Brake Master Cylinder



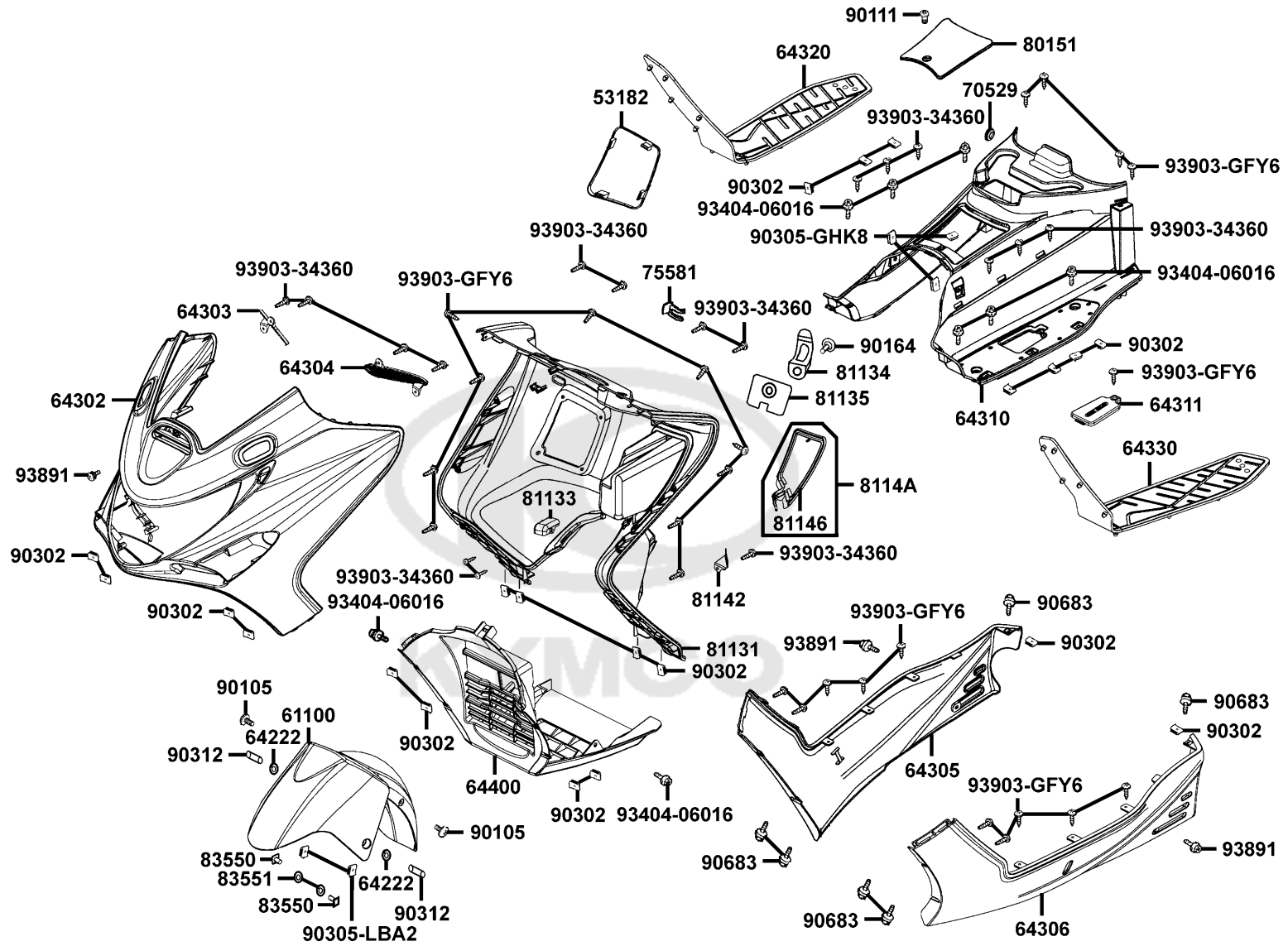
Sales mark	Ref no	Part no	Description	Reg description	Regd no	F04
	35340	35340-KNBN-901	SW ASSY FR STOP	SW ASSY FR STOP	1	
	35350	35350-KNBN-901	SW ASSY RR STOP	SW ASSY RR STOP	1	
	43126	43126-LDB2-E00	HOSE ASSY C/P RR BRAKE	HOSE ASSY C/P RR BRAKE	1	
	43127	43127-LBA2-E01	HOSE ASSY M/C RR BRAKE	HOSE ASSY M/C RR BRAKE	1	
	43156-KKC4	43156-KKC4-900	CLAMPER HOSE RR	CLAMPER HOSE RR	2	
	43156-LDB2	43156-LDB2-900	CLAMPER HOSE RR	CLAMPER HOSE RR	1	
	43530	43530-KKE5-305	CYLINDER SET RR MASTER	CYLINDER SET RR MASTER	1	
	45126	45126-LBA2-E01	HOSE ASSY FR BRAKE (RH)	HOSE ASSY FR BRAKE (RH)	1	
	45136	45136-LBA2-E01	HOSE ASSY FR BRK (RH)	HOSE ASSY FR BRK (RH)	1	
**	45513	45513-KKA8-900	CAP M/C	CAP M/C	2	
**	45513	45513-LEA7-E00	CAP MASTER CYLINDER	CAP MASTER CYLINDER	2	
	45517	45517-LBA2-E00	HOLDER. M/C	HOLDER. M/C	2	
	45520	45520-KKA8-900	DIAPHRAGM	DIAPHRAGM	2	
	45521	45521-LEA7-E00	PLATE DIAPHRAGM	PLATE DIAPHRAGM	2	
	45530	45530-LBA2-308	CYLINDER SET FR MASTER	CYLINDER SET FR MASTER	1	
	48200	48200-LBA2-E01	LIMIT VALVE ASSY UBS	LIMIT VALVE ASSY UBS	1	
**	53175	53175-KKE5-E00	LEVER R STRG HANDLE	LEVER R STRG HANDLE	1	
**	53178	53178-KKE5-E00	LEVER L STRG HANDLE	LEVER L STRG HANDLE	1	
	90113	90113-KKA8-900	BOLT HANDLE LEVER	BOLT HANDLE LEVER	2	
	90145-LBA2	90145-LBA2-E00	OIL BOLT 10*33	OIL BOLT 10*33	1	

Sales mark	Ref no	Part no	Description	Reg description	Regd no	F04
	90145-MKS9	90145-MKS9-61A	OIL BOLT 10*22	OIL BOLT 10*22	6	
	90545	90545-3L00-001	WASHER OIL BOLT	WASHER OIL BOLT	15	
	93600	93600-04012-1A	SCREW FLAT 4*12	SCREW FLAT 4*12	4	
	93893	93893-04012-18	SCREW WASHER 4*12	SCREW WASHER 4*12	2	
	94050-06060	94050-06060	NUT FLANGE 6MM	NUT FLANGE 6MM	2	
	94050-06080	94050-06080	NUT FLANGE 6MM	NUT FLANGE 6MM	2	
	96001-06012	96001-06012-08	BOLT FLANGE SH 6*12	BOLT FLANGE SH 6*12	3	
	96001-06028	96001-06028-06	BOLT FLANGE SH 6*28	BOLT FLANGE SH 6*28	4	

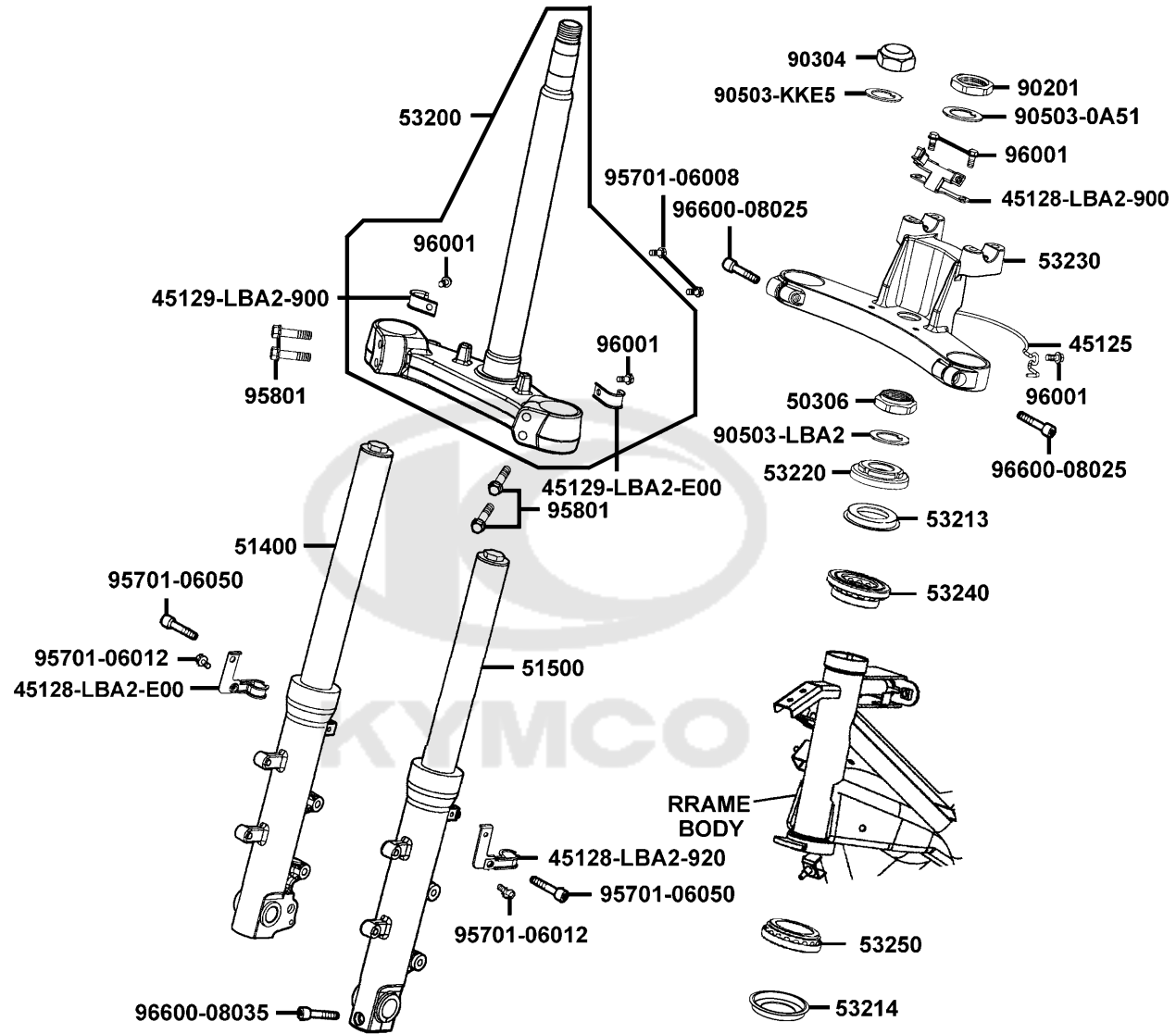


Sales mark	Ref no	Part no	Description	Reg description	Regd no	F05
	53182	53182-LDB2-E00	COVER HANDLE BRAKE	COVER HANDLE BRAKE	1	
**	61100	61100-LBA2-305	FENDER FR	FENDER FR	1	
	64222	64222-LLJ3-E00	RUBBER WIND SCREEN	RUBBER WIND SCREEN	2	
**	64302	64302-LBA2-305	MOLDING FR	MOLDING FR	1	
**	64303	64303-LBA2-E00	GRID R FR MOLDING	GRID R FR MOLDING	1	
**	64304	64304-LBA2-E00	GRID L FR MOLDING	GRID L FR MOLDING	1	
**	64305	64305-LBA2-E00	SKIRT R SIDE	SKIRT R SIDE	1	
**	64306	64306-LBA2-E00	SKIRT L SIDE	SKIRT L SIDE	1	
**	64310	64310-LBA2-E00	FLOOR PANEL	FLOOR PANEL	1	
**	64311	64311-LBA2-E00	COVER R PILLION STEP	COVER R PILLION STEP	1	
**	64320	64320-LBA2-E00	MAT R FLOOR	MAT R FLOOR	1	
**	64330	64330-LBA2-E00	MAT L FLOOR	MAT L FLOOR	1	
**	64400	64400-LBA2-E00	COWL UNDER	COWL UNDER	1	
	70529	70529-6G57-671	GROM B SIDE PNL	GROM B SIDE PNL	1	
	75581	75581-6C73-001	SET SPG LOCK KEY	SET SPG LOCK KEY	1	
**	80151	80151-LBA2-E00	COVER CENTER	COVER CENTER	1	
**	81131	81131-LBA2-E01	LEG SHIELD	LEG SHIELD	1	
	81133	81133-LBA2-E00	CAP LEG SHIELD	CAP LEG SHIELD	1	
	81134	81134-KGBG-900	HOOK LUGGAGE	HOOK LUGGAGE	1	
	81135	81135-KGBG-900	STAY LUGGAGE HOOK	STAY LUGGAGE HOOK	1	

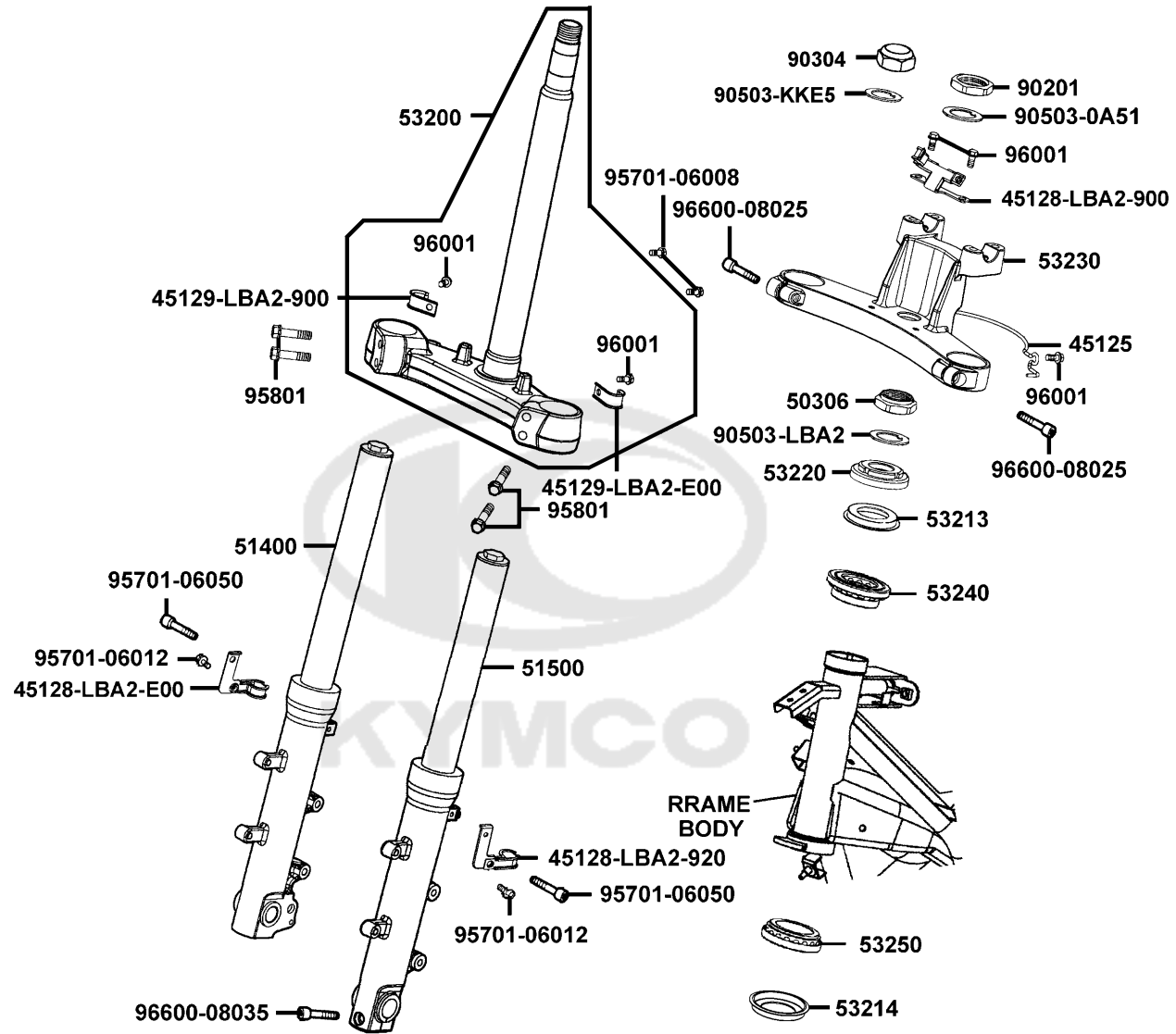
Front CoverFloor Panel



Sales mark	Ref no	Part no	Description	Reg description	Regd no	F05
	81142	81142-LBA2-E00	STAY LID INNER BOX	STAY LID INNER BOX	1	
	81146	81146-LBA2-E00	SEAL LID INNER BOX	SEAL LID INNER BOX	1	
**	8114A	8114A-LBA2-E00	LID ASSY INNER BOX	LID ASSY INNER BOX	1	
	83550	83550-KEC8-900	COLLAR	COLLAR	2	
	83551	83551-KEC8-900	GROMMET COVER	GROMMET COVER	2	
	90105	90107-LEA7-E00	BOLT SPECIAL 8MM	BOLT SPECIAL 8MM	2	
	90111	90111-KED9-900	SCREW PAN 6*14	SCREW PAN 6*14	1	
	90164	90164-KGBG-900	SCREW SPECIAL 6MM	SCREW SPECIAL 6MM	1	
	90302	90302-SDA4-004	NUT SPRING 4MM	NUT SPRING 4MM	21	
	90305-GHK8	90305-GHK8-001	NUT CLIP 6MM	NUT CLIP 6MM	3	
	90305-LBA2	90305-LBA2-E00	NUT CLIP 6MM	NUT CLIP 6MM	2	
	90312	90312-LLJ3-E01	COLLAR WIND SCREEN	COLLAR WIND SCREEN	2	
	90683	90683-GAR1-004	CLIP BODY COVER	CLIP BODY COVER	6	
	93404-06016	93404-06016-06	BOLT WASHER 6*16	BOLT WASHER 6*16	8	
	93891	93891-05016-06	SCREW WASHER 5*16	SCREW WASHER 5*16	3	
	93903-34360	93903-34360	SCREW TAPPING 4*12	SCREW TAPPING 4*12	17	
	93903-GFY6	93903-GFY6-900	SCREW TAPP 4*14	SCREW TAPP 4*14	25	



Sales mark	Ref no	Part no	Description	Reg description	Regd no	F06
	45125	45125-LBA2-E00	CLIP BRK HOSE(TOP BRIDGE)	CLIP BRK HOSE(TOP BRIDGE)	1	
	45128-LBA2-900	45128-LBA2-900	CLAMPER FR BRK (TOP BRIDGE)	CLAMPER FR BRK (TOP BRIDGE)	1	
	45128-LBA2-920	45128-LBA2-920	CLAMPER FR BRK HOSE	CLAMPER FR BRK HOSE	1	
	45128-LBA2-E00	45128-LBA2-E00	CLAMPER FR BRK HOSE	CLAMPER FR BRK HOSE	1	
	45129-LBA2-900	45129-LBA2-900	CLAMPER FR BRK HOSE	CLAMPER FR BRK HOSE	1	
	45129-LBA2-E00	45129-LBA2-E00	CLAMPER FR BRK HOSE	CLAMPER FR BRK HOSE	1	
	50306	50306-1F96-001	NUT STRG STEM LOCK	NUT STRG STEM LOCK	1	
**	51400	51400-LDB2-E00	FORK ASSY R FR	FORK ASSY R FR	1	
**	51500	51500-LDB2-E00	FORK ASSY L FR	FORK ASSY L FR	1	
	53200	53200-LBA2-E00	STEM COMP STRG	STEM COMP STRG	1	
	53213	53213-LBA2-E00	DUST SEAL STRG HEAD TOP	DUST SEAL STRG HEAD TOP	1	
	53214	53214-LBA2-E00	DUST SEAL STRG (HEAD)	DUST SEAL STRG (HEAD)	1	
	53220	53220-LBA2-E00	THREAD COMP STRG HEAD TOP	THREAD COMP STRG HEAD TOP	1	
	53230	53230-LBA2-E00	BRIDGE FORK TOP	BRIDGE FORK TOP	1	
	53240	53240-LBA2-E00	BEARING TOT STRG	BEARING TOT STRG	1	
	53250	53250-LBA2-E00	BEARING BOT STRG	BEARING BOT STRG	1	
	90201	90201-LBA2-E00	NUT STRG STEM	NUT STRG STEM	1	
	90304	90304-KKE5-E00	NUT. STRG. STEM	NUT. STRG. STEM	1	
	90503-0A51	90503-0A51-870	WASHER STEERING STEM NUT	WASHER STEERING STEM NUT	1	
	90503-KKE5	90503-KKE5-E00	WASHER STEERING STEM NUT	WASHER STEERING STEM NUT	1	



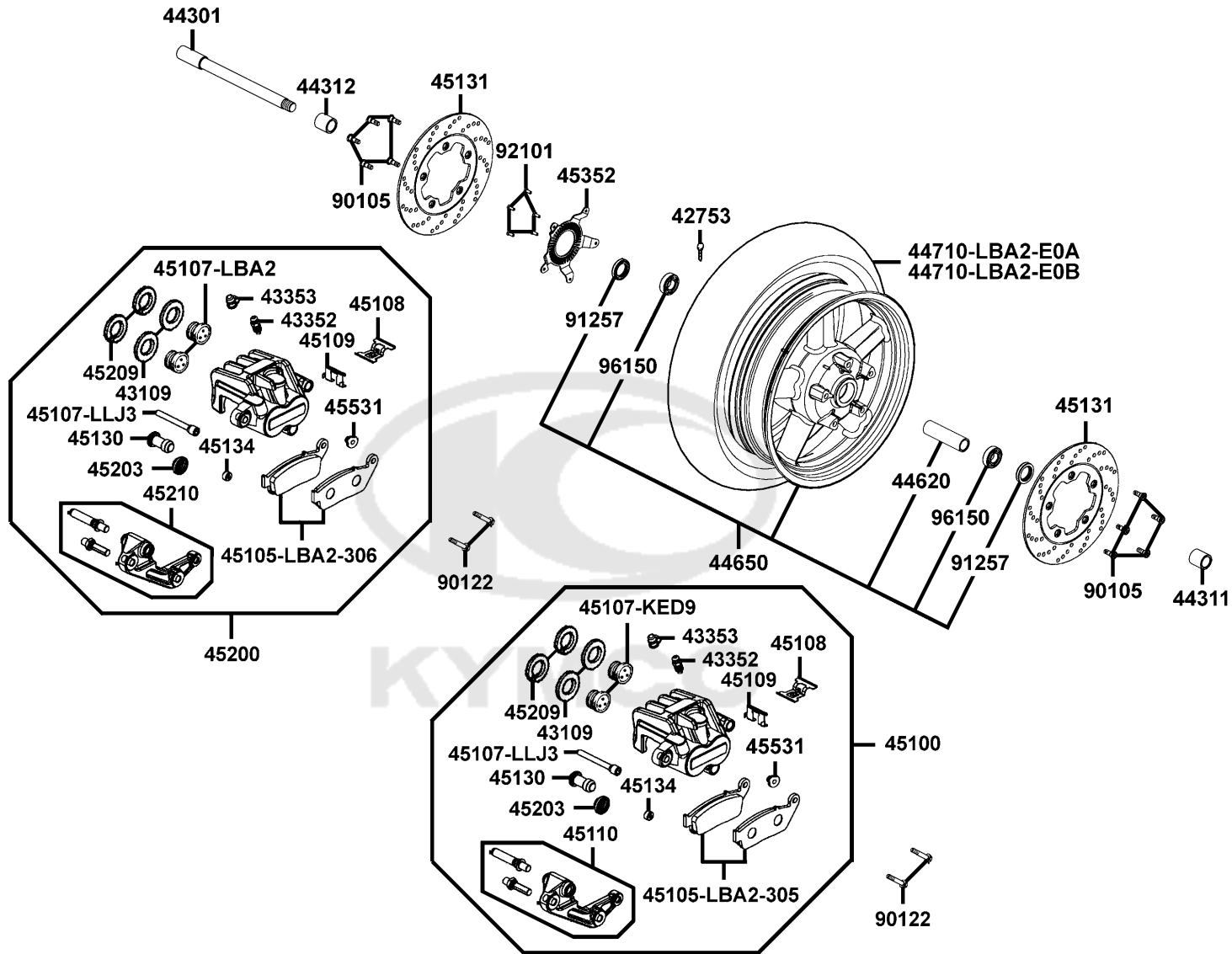
Sales mark	Ref no	Part no	Description	Reg description	Regd no	F06
	90503-LBA2	90503-LBA2-E00	WASHER STRG STEM NUT	WASHER STRG STEM NUT	1	
	95701-06008	95701-06008-06	BOLT FLANGE 6*8	BOLT FLANGE 6*8	2	
	95701-06012	95701-06012-00	BOLT FLANGE 6*12	BOLT FLANGE 6*12	2	
	95701-06050	95701-06050-00	BOLT FLANGE 6*50	BOLT FLANGE 6*50	4	
	95801	95801-08040-08	BOLT FLANGE 8*40	BOLT FLANGE 8*40	4	
	96001	96001-06012-08	BOLT FLANGE SH 6*12	BOLT FLANGE SH 6*12	5	
	96600-08025	96600-08025-06	SOCKET BOLT 8*25	SOCKET BOLT 8*25	2	
	96600-08035	96600-08035-06	SOCKET BOLT 8*35	SOCKET BOLT 8*35	1	



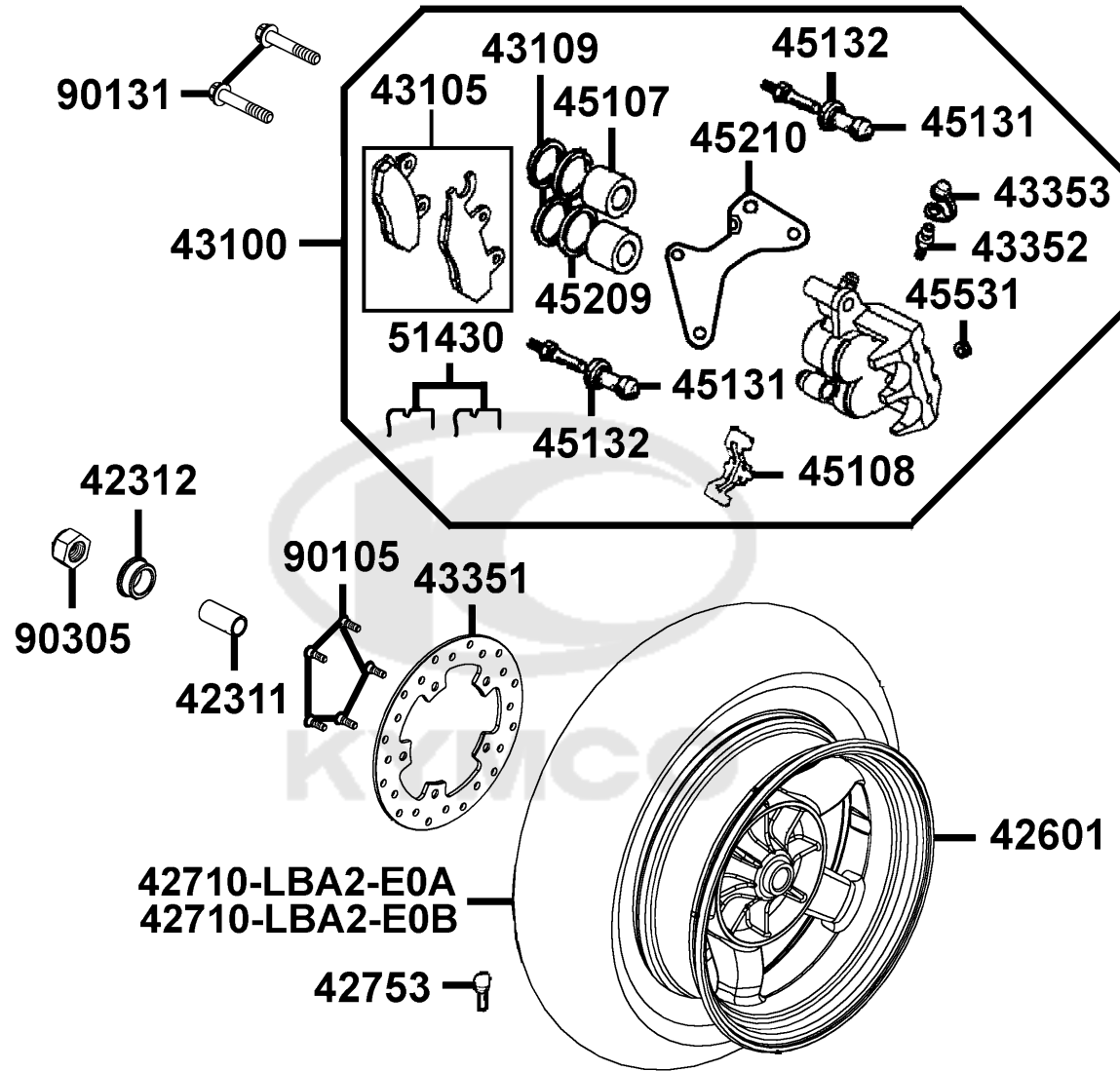
Sales mark	Ref no	Part no	Description	Reg description	Regd no	F07
	42753	42753-KNBN-90B	VALVE RIM (TR412)	VALVE RIM (TR412)	1	
	43109	43109-LBA2-E00	DUST SEAL	DUST SEAL	4	
	43353	43353-KED9-900	CAP-BREATHER	CAP-BREATHER	2	
	43352	4335A-LBA2-E01	BLEEDER ASSY	BLEEDER ASSY	1	
	44301	44301-LBA2-E00	AXLE FR WHEEL	AXLE FR WHEEL	1	
	44311	44311-KED9-900	COLLAR FR SIDE WHEEL	COLLAR FR SIDE WHEEL	1	
	44312	44312-LBA2-E00	COLLAR FR WHEEL SIDE L	COLLAR FR WHEEL SIDE L	1	
	44620	44620-LBA2-E00	COLLAR FR AXLE DISTANCE	COLLAR FR AXLE DISTANCE	1	
**	44650	44650-LBA2-305	WHEEL SET FR	WHEEL SET FR	1	
	44710-LBA2-E0A	44710-LBA2-E0A	TIRE ASSY FR /MAXXIS	TIRE ASSY FR /MAXXIS	1	
	44710-LBA2-E0B	44710-LBA2-E0B	TIRE ASSY FR /KENDA	TIRE ASSY FR /KENDA	1	
**	45100	45100-LFG2-E01	CALIPER ASSY FR L/H	CALIPER ASSY FR L/H	1	
	45105-LBA2-305	45105-LBA2-305	PAD ASSY	PAD ASSY	1	
	45105-LBA2-306	45105-LBA2-306	PAD ASSY	PAD ASSY	1	
	45107-KED9	45107-KED9-900	PISTON-COMP-BRAKE	PISTON-COMP-BRAKE	2	
	45107-LBA2	45107-LBA2-E00	PISTON	PISTON	2	
	45107-LLJ3	45107-LLJ3-E90	PIN HANGE	PIN HANGE	2	
	45108	45108-KED9-900	SPRING PAD	SPRING PAD	2	
	45109	45109-KED9-900	SLIDE PAD	SLIDE PAD	2	
	45110	45110-LBA2-305	BRACKET COMP FR	BRACKET COMP FR	1	

F07

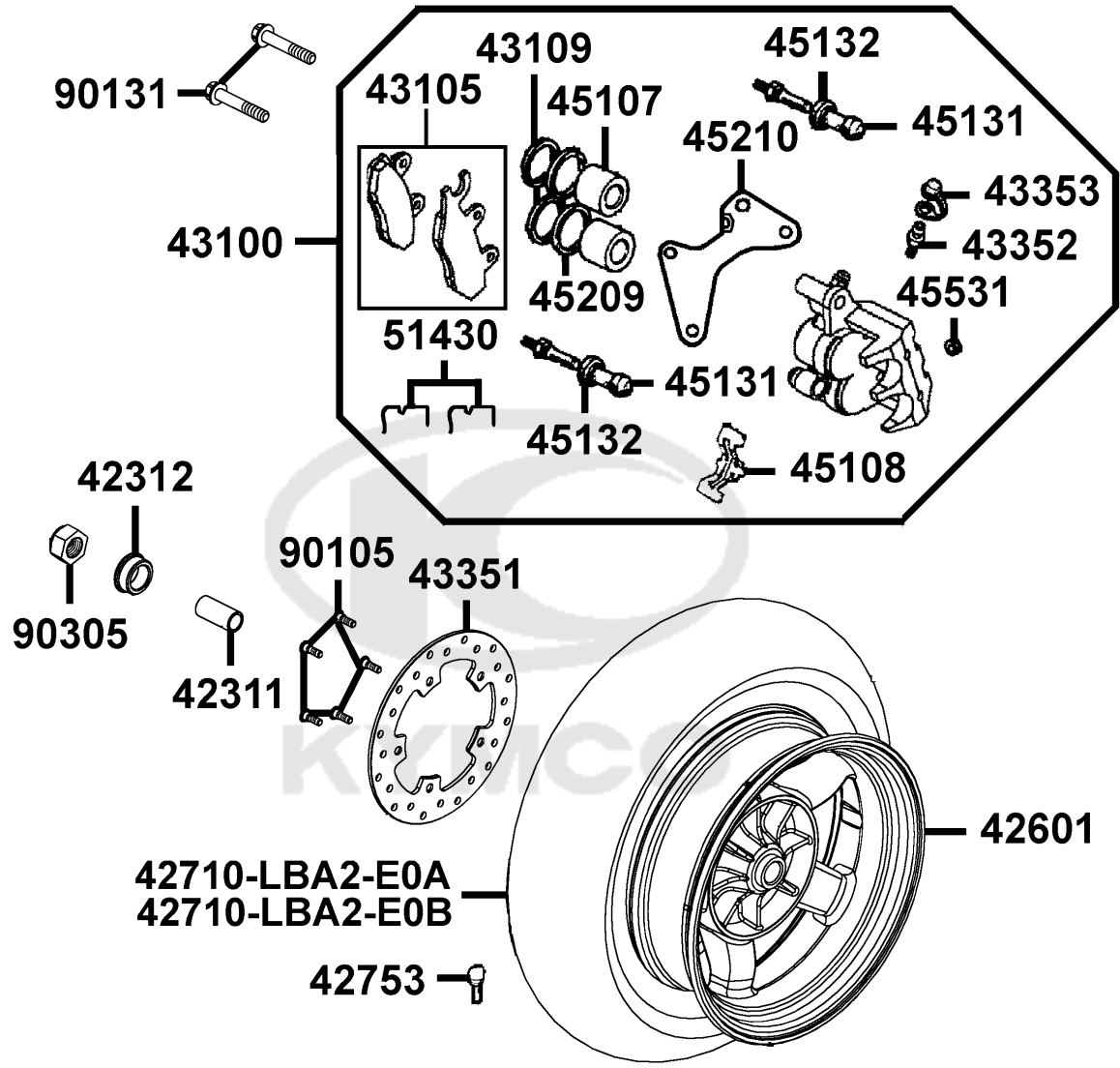
Front Wheel



Sales mark	Ref no	Part no	Description	Reg description	Regd no	F07
	45130	45130-KED9-900	BOOT	BOOT	2	
	45131	45131-LDG7-E03	DISK FR BRK L	DISK FR BRK L	2	
	45134	45134-KED9-900	BOOT B	BOOT B	2	
**	45200	45200-LDG7-E03	CALIPER ASSY. FR R	CALIPER ASSY. FR R	1	
	45203	45203-KED9-900	PLUG PIN	PLUG PIN	2	
	45209	45209-LBA2-E00	SEAL PISTON	SEAL PISTON	4	
	45210	45210-LBA2-305	BRACKET COMP FR	BRACKET COMP FR	1	
	45352	45352-LBA2-E00	READ PLATE ABS	READ PLATE ABS	1	
	45531	45531-KED9-900	PLUG	PLUG	2	
	90105	90105-KCR3-001	BOLT FR DISK 8*24	BOLT FR DISK 8*24	10	
	90122	90122-LBA2-E00	BOLT FLANGE 8*38	BOLT FLANGE 8*38	4	
	91257	91257-KED9-900	DUST SEAL 28*42*8	DUST SEAL 28*42*8	2	
	92101	92101-05012-0A	BOLT HEX 5*12	BOLT HEX 5*12	5	
	96150	96150-60040-10	BEARING BALL RADIAL 6004	BEARING BALL RADIAL 6004	2	



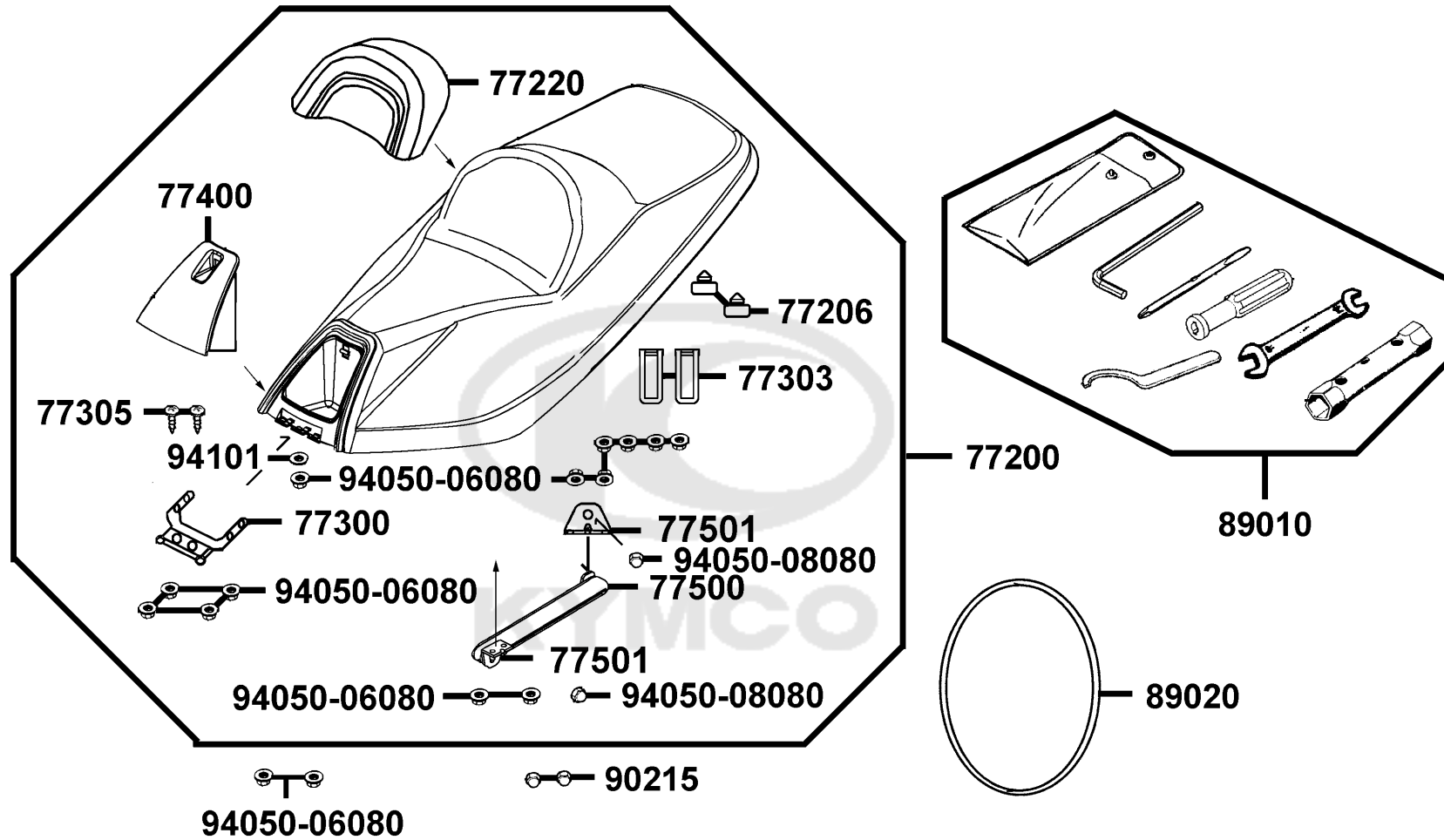
Sales mark	Ref no	Part no	Description	Reg description	Regd no	F08
	42311	42311-LDB2-E00	COLLAR RR AXLE A	COLLAR RR AXLE A	1	
	42312	42312-KHE7-E00	COLLAR RR AXLE SIDE	COLLAR RR AXLE SIDE	1	
**	42601	42601-LDB2-E00	WHEEL RR CAST	WHEEL RR CAST	1	
	42710-LBA2-E0A	42710-LBA2-E0A	TIRE ASSY RR /MAXXIS	TIRE ASSY RR /MAXXIS	1	
	42710-LBA2-E0B	42710-LBA2-E0B	TIRE ASSY RR /KENDA	TIRE ASSY RR /KENDA	1	
	42753	42753-KNBN-90B	VALVE RIM (TR412)	VALVE RIM (TR412)	1	
**	43100	43100-LFG2-E01	CALIPER ASSY RR	CALIPER ASSY RR	1	
	43105	43105-LDH1-305	PAD SET	PAD SET	1	
	43109	43109-MCA3-007	SEAL PISTON	SEAL PISTON	2	
	43351	43351-LDG7-E03	DISK RR BRAKE	DISK RR BRAKE	1	
	43352	43352-KKD6-E90	SCREW BLEEDER	SCREW BLEEDER	1	
	43353	43353-4A61-77A	CAP BLEEDER	CAP BLEEDER	1	
	45107	45107-LLJ3-E00	PISTON	PISTON	2	
	45108	45108-LDH1-E00	SPRING PAD	SPRING PAD	1	
	45131	45131-LDH1-E00	PIN BOLT	PIN BOLT	2	
	45132	45132-LDH1-E00	BUSH BOOT PIN	BUSH BOOT PIN	2	
	45209	45209-KED9-900	SEAL PISTON	SEAL PISTON	2	
	45210	45210-LDF2-E00	BRACKET FR CALIPER	BRACKET FR CALIPER	1	
	45531	45531-GAR1-951	PLUG	PLUG	1	
	51430	51430-LDH1-E00	SLIDE PAD	SLIDE PAD	2	



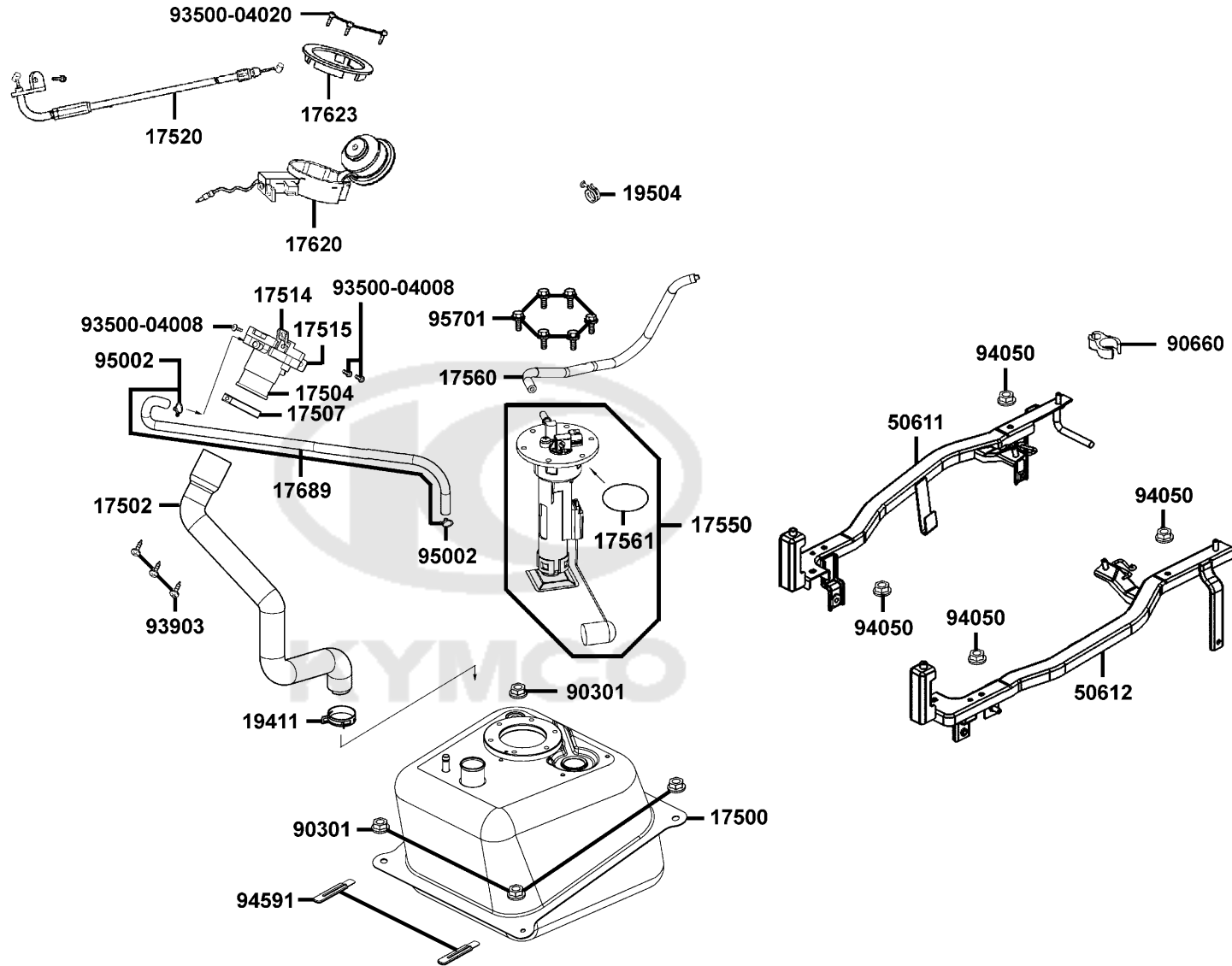
Sales mark	Ref no	Part no	Description	Reg description	Regd no	F08
------------	--------	---------	-------------	-----------------	---------	------------

90105		90105-KCR3-001	BOLT FR DISK 8*24	BOLT FR DISK 8*24	5	
90131		90131-LDB2-E00	BOLT FLANGE 8*42	BOLT FLANGE 8*42	2	
90305		90305-KKAK-900	NUT U FLANGE 16MM	NUT U FLANGE 16MM	1	





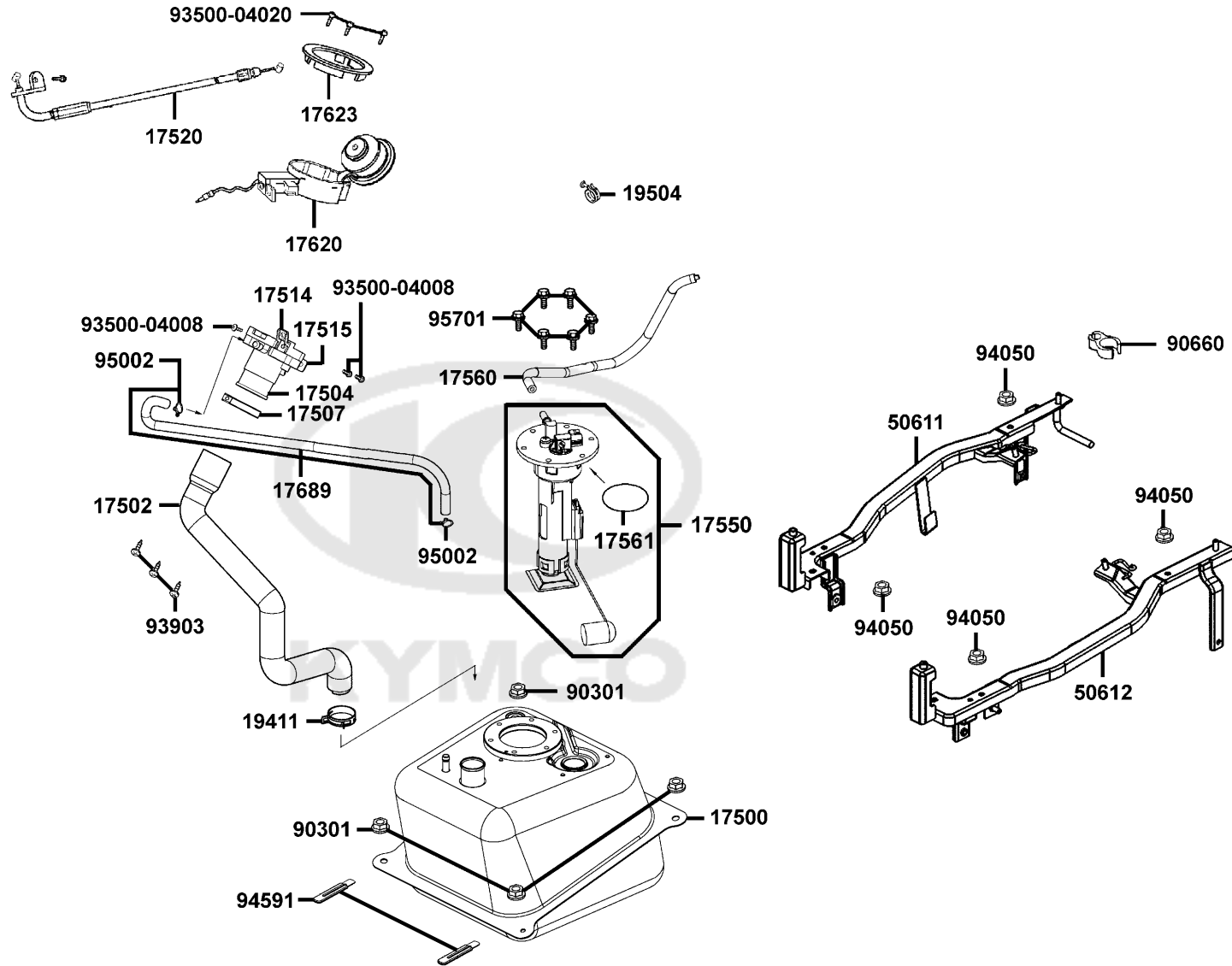
Sales mark	Ref no	Part no	Description	Reg description	Regd no	F09
**	77200	77200-LDG7-E00	SEAT ASSY	SEAT ASSY	1	
	77206	77206-KEB7-900	RUBBER SEAT CUSH	RUBBER SEAT CUSH	2	
**	77220	77220-LDG7-E00	SEAT ASSY PAD	SEAT ASSY PAD	1	
	77300	77300-LBA2-E00	HINGE ASSY SEAT	HINGE ASSY SEAT	1	
	77303	77303-LLJ3-E00	HOOK SEAT LOCK	HOOK SEAT LOCK	2	
	77305	77305-LDG7-E00	SCREW RIVENT	SCREW RIVENT	2	
	77400	77400-LBA2-E00	BOX ASSY SEAT	BOX ASSY SEAT	1	
	77500	77500-LBA2-E00	DAMPER GAS	DAMPER GAS	1	
	77501	77501-LBA2-E00	STAY GAS DAMPER	STAY GAS DAMPER	2	
	89010	89010-LDB2-E00	TOOL SET	TOOL SET	1	
	89020	89020-KKC4-900	BAND TOOL SET	BAND TOOL SET	1	
	90215	90215-KKC4-900	NUT CAP 6MM	NUT CAP 6MM	2	
	94050-06080	94050-06080	NUT FLANGE 6MM	NUT FLANGE 6MM	15	
	94050-08080	94050-08080	NUT FLANGE 8MM	NUT FLANGE 8MM	2	
	94101	94101-06800	WASHER PLAIN 6MM	WASHER PLAIN 6MM	1	



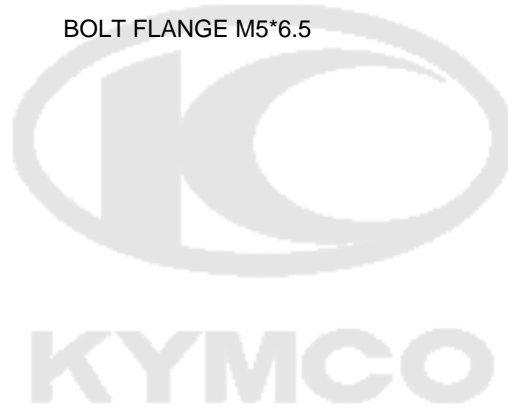
Sales mark	Ref no	Part no	Description	Reg description	Regd no	F10
	17500	17500-LDF2-910	TANK COMP FUEL	TANK COMP FUEL	1	
	17502	17502-LBA2-E00	TUBE FUEL	TUBE FUEL	1	
	17504	17504-LAB4-900	FUEL FILLER	FUEL FILLER	1	
	17507	17507-LAB4-900	BAND FUEL HOSE	BAND FUEL HOSE	1	
	17514	17514-LBA2-E00	STAY A FUEL FILLER	STAY A FUEL FILLER	1	
	17515	17515-LBA2-E00	STAY B FUEL FILLER	STAY B FUEL FILLER	1	
	17520	17520-LBA2-E00	CABLE COMP FUEL CAP	CABLE COMP FUEL CAP	1	
	17550	17550-LDF2-800	FUEL PUMP ASSY	FUEL PUMP ASSY	1	
	17560	17560-LDF2-900	TUBE PUMP INJECTOR	TUBE PUMP INJECTOR	1	
	17561	17561-LDF2-900	O-RING	O-RING	1	
**	17620	17620-LLJ3-E0A	CAP COMP FUEL FILLER	CAP COMP FUEL FILLER	1	
**	17620	17620-LLJ3-E0B	CAP COMP FUEL FILLER	CAP COMP FUEL FILLER	1	
	17623	17623-LAB4-90A	COLLAR FUEL FILLER	COLLAR FUEL FILLER	1	
	17623	17623-LAB4-90B	COLLAR FUEL FILLER	COLLAR FUEL FILLER	1	
	17689	17689-KEBE-E00	TUBE ASSY TANK-FILLER	TUBE ASSY TANK-FILLER	1	
	19411	19411-KBCB-900	CLIP HOSE	CLIP HOSE	1	
	19504	19504-LBA2-E00	CLAMP D16.8	CLAMP D16.8	1	
	50611	50611-LDF2-900	RNFCT R COMP FLOOR	RNFCT R COMP FLOOR	1	
	50612	50612-LDF2-900	RNFCT L COMP FLOOR	RNFCT L COMP FLOOR	1	
	90301	90301-6D34-671	NUT FLANGE 6MM	NUT FLANGE 6MM	4	

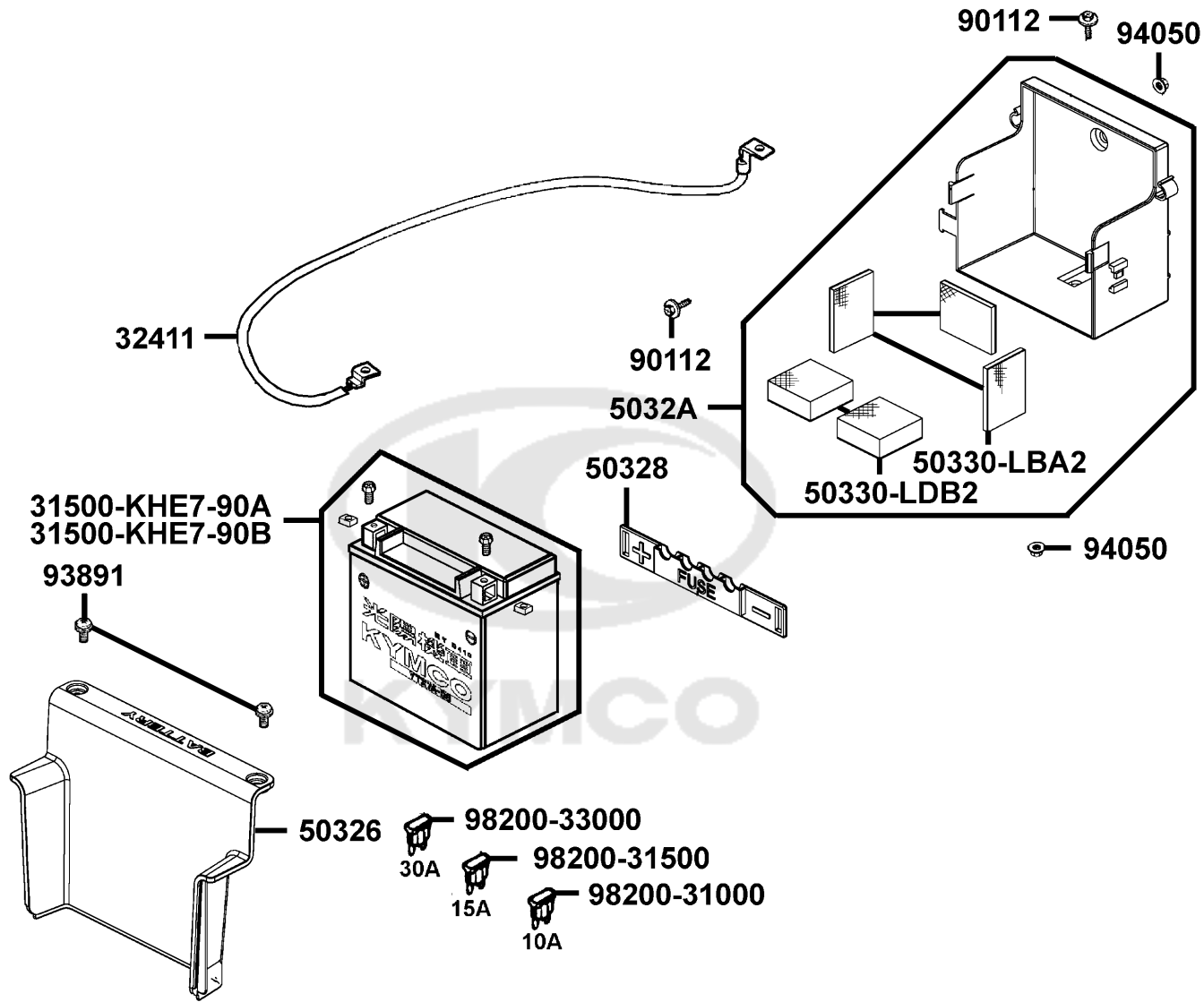
F10

Fuel Tank

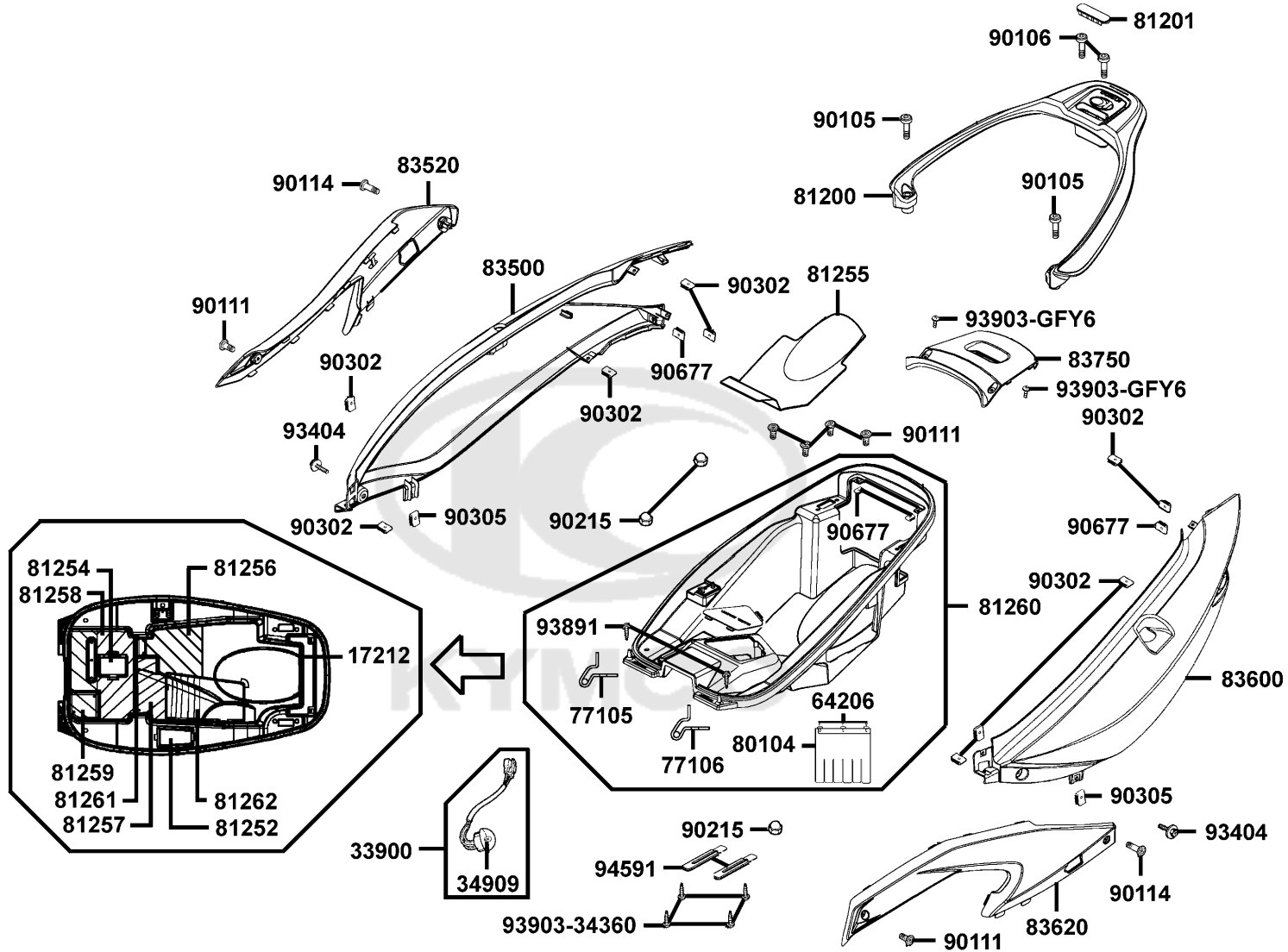


Sales mark	Ref no	Part no	Description	Reg description	Regd no	F10
90660		90660-KNBN-921	CLAMPER TUBE	CLAMPER TUBE	1	
93500-04008		93500-04008-0G	SCREW PAN 4*8	SCREW PAN 4*8	3	
93500-04020		93500-04020-0G	SCREW PAN 4*20	SCREW PAN 4*20	3	
93903		93903-35260	SCREW TAPPING 5*12	SCREW TAPPING 5*12	3	
94050		94050-06080	NUT FLANGE 6MM	NUT FLANGE 6MM	4	
94591		94591-KFBF-900	CLIP 2*70	CLIP 2*70	1	
95002		95002-02130	CLIP B12.5 TUBE	CLIP B12.5 TUBE	2	
95701		95701-LDF2-800	BOLT FLANGE M5*6.5	BOLT FLANGE M5*6.5	6	

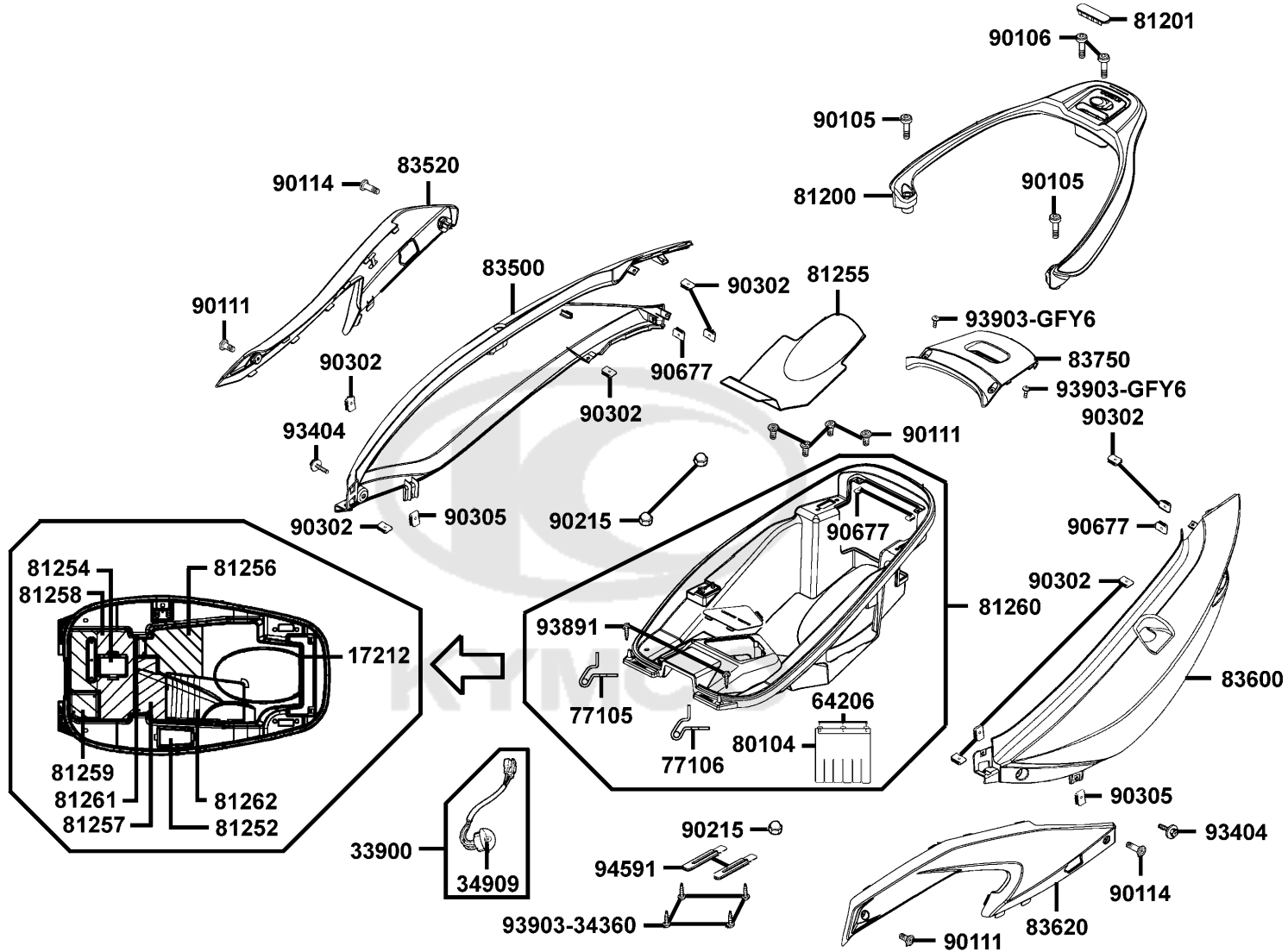




Sales mark	Ref no	Part no	Description	Reg description	Regd no	F11
	31500-KHE7-90A	31500-KHE7-90A	BATTERY YTX12-BS	BATTERY YTX12-BS	1	
	31500-KHE7-90B	31500-KHE7-90B	BATTERY GTX12-BS	BATTERY GTX12-BS	1	
	32411	32411-LBA2-E00	CABLE BATTERY	CABLE BATTERY	1	
	50326	50326-LBA2-E00	COVER BATTERY	COVER BATTERY	1	
	50328	50328-LBA2-E00	BAND BATTERY	BAND BATTERY	1	
	5032A	5032A-LDB2-E00	CASE ASSY BATTERY	CASE ASSY BATTERY	1	
	50330-LBA2	50330-LBA2-E00	SPONGE BATTERY	SPONGE BATTERY	3	
	50330-LDB2	50330-LDB2-E00	SPONGE BATTERY	SPONGE BATTERY	2	
	90112	90112-KNBN-901	BOLT FLANGE 6MM	BOLT FLANGE 6MM	2	
	93891	93891-05016-06	SCREW WASHER 5*16	SCREW WASHER 5*16	2	
	94050	94050-06080	NUT FLANGE 6MM	NUT FLANGE 6MM	2	
	98200-31000	98200-31000	BLADE FUSE 10A	BLADE FUSE 10A	1	
	98200-31500	98200-31500	BLADE FUSE 15A	BLADE FUSE 15A	1	
	98200-33000	98200-33000	BLADE FUSE 30A	BLADE FUSE 30A	1	



Sales mark	Ref no	Part no	Description	Reg description	Regd no	F12
	17212	17212-LDB2-E00	SAEL C LUGGAGE BOX	SAEL C LUGGAGE BOX	1	
	33900	33900-KFBF-900	LIGHT ASSY LUGGAGE BOX	LIGHT ASSY LUGGAGE BOX	1	
	34909	34909-KFBF-900	BULB WEDGE BASE	BULB WEDGE BASE	1	
	64206	64206-MLJ0-001	NUT SPEED 4MM	NUT SPEED 4MM	3	
	77105	77105-GFS6-001	HOOK R HELMET	HOOK R HELMET	1	
	77106	77106-GFS6-001	HOOK L HELMET	HOOK L HELMET	1	
	80104	80104-LDB2-E00	PLATE C SPLASH GUARD	PLATE C SPLASH GUARD	1	
**	81200	81200-LBA2-E00	CARRIER RR	CARRIER RR	1	
	81201	81201-LBA2-E00	PLUG BAR RR CARRIER	PLUG BAR RR CARRIER	1	
	81252	81252-LDB2-E00	COVER SEAT CABLE MAINT	COVER SEAT CABLE MAINT	1	
	81254	81254-LDB2-E00	COVER CARB MAINT	COVER CARB MAINT	1	
	81255	81255-LDB2-E00	BAG LUGGAGE	BAG LUGGAGE	1	
	81256	81256-LDB2-E00	HEAT GUARD A LUGGAGE BOX	HEAT GUARD A LUGGAGE BOX	1	
	81257	81257-LDB2-E00	HEAT GUARD B LUGGAGE BOX	HEAT GUARD B LUGGAGE BOX	1	
	81258	81258-LDB2-E00	HEAT GUARD C LUGGAGE BOX	HEAT GUARD C LUGGAGE BOX	1	
	81259	81259-LDB2-E00	HEAT GUARD D LUGGAGE BOX	HEAT GUARD D LUGGAGE BOX	1	
	81260	81260-LDB2-E00	BOX ASSY LUGGAGE	BOX ASSY LUGGAGE	1	
	81261	81261-LDB2-E00	HEAT GUARD E LUGGAGE BOX	HEAT GUARD E LUGGAGE BOX	1	
	81262	81262-LDB2-E00	HEAT GUARD F LUGGAGE BOX	HEAT GUARD F LUGGAGE BOX	1	
**	83500	83500-LBA2-E00	COVER R BODY	COVER R BODY	1	

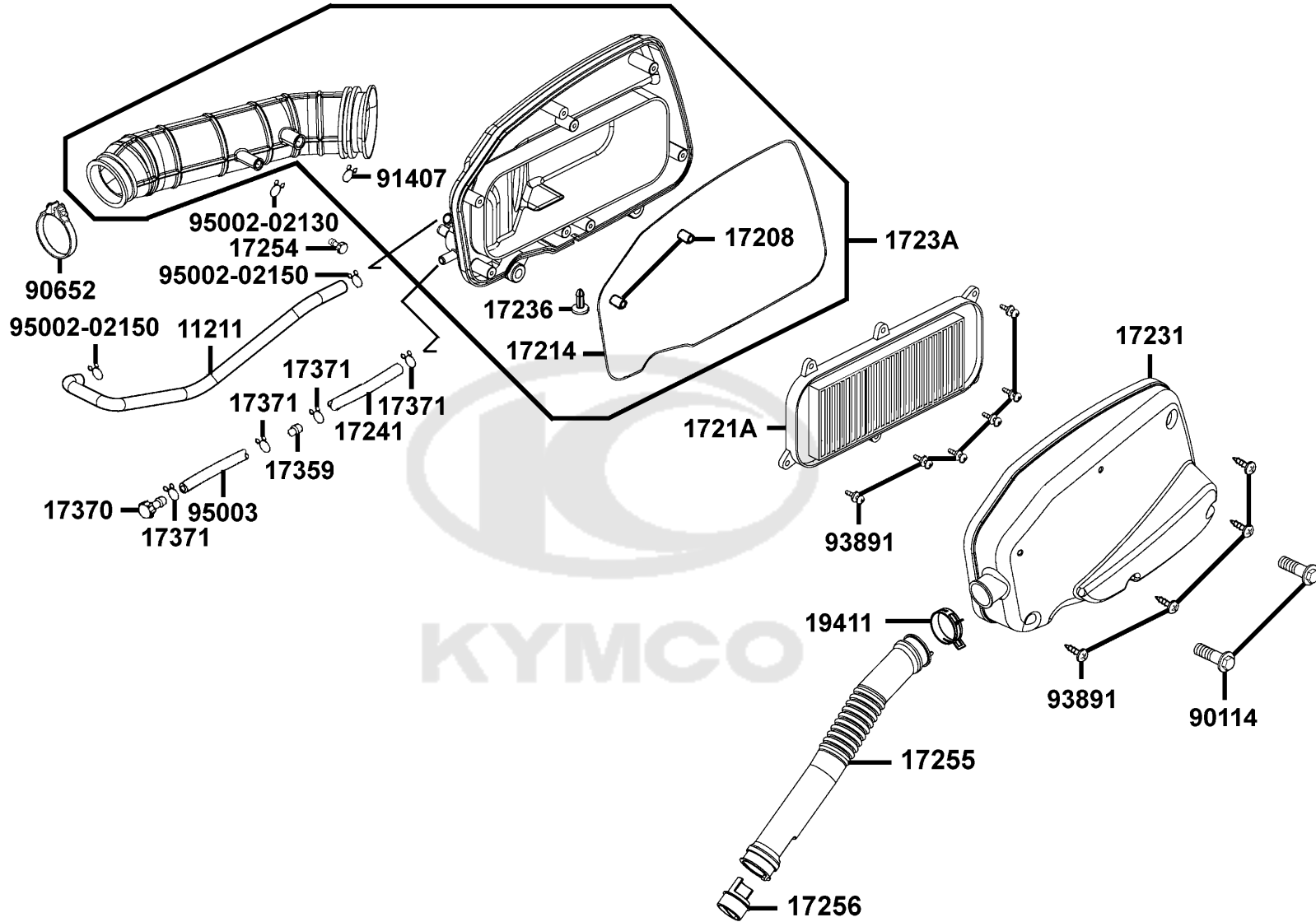


Sales mark	Ref no	Part no	Description	Reg description	Regd no	F12
**	83520	83520-LBA2-E00	COVER R SIDE	COVER R SIDE	1	
**	83600	83600-LBA2-E00	COVER L BODY	COVER L BODY	1	
**	83620	83620-LBA2-E00	COVER L SIDE	COVER L SIDE	1	
**	83750	83750-LBA2-E00	COVER RR CENTER	COVER RR CENTER	1	
	90105	90105-KHB4-900	BOLT WASH M8*60	BOLT WASH M8*60	2	
	90106	90106-KFA6-900	BOLT WASH 8*75	BOLT WASH 8*75	2	
	90111	90111-KED9-900	SCREW PAN 6*14	SCREW PAN 6*14	6	
	90114	90114-LBA2-E00	SCREW PAN 6*30	SCREW PAN 6*30	2	
	90215	90215-KKC4-900	NUT CAP 6MM	NUT CAP 6MM	3	
	90302	90302-SDA4-004	NUT SPRING 4MM	NUT SPRING 4MM	10	
	90305	90305-GHK8-001	NUT CLIP 6MM	NUT CLIP 6MM	2	
	90677	90677-GAR1-004	NUT CLIP 5MM	NUT CLIP 5MM	4	
	93404	93404-06016-06	BOLT WASHER 6*16	BOLT WASHER 6*16	2	
	93891	93891-06010-07	SCREW WASHER 6X10	SCREW WASHER 6X10	2	
	93903-34360	93903-34360	SCREW TAPPING 4*12	SCREW TAPPING 4*12	4	
	93903-GFY6	93903-GFY6-900	SCREW TAPP 4*14	SCREW TAPP 4*14	2	
	94591	94591-27000	CLIP 2*100	CLIP 2*100	2	

Sales mark	Ref no	Part no	Description	Reg description	Regd no	F13
11211		11211-KKC4-900	TUBE BREATHER	TUBE BREATHER	1	
17208		17208-GAR1-011	COLLAR AIR/C SET	COLLAR AIR/C SET	2	
17214		17214-LDB2-E00	SEAL CASE	SEAL CASE	1	
1721A		1721A-KKC3-900	ELEMENT ASSY AIR/C	ELEMENT ASSY AIR/C	1	
17231		17231-LFG2-E00	COVER COMP AIR/C	COVER COMP AIR/C	1	
17236		17236-KFBF-910	PLATE	PLATE	1	
1723A		1723A-LFG2-E00	CASE ASSY.. AIR/C	CASE ASSY.. AIR/C	1	
17241		17241-LDF2-900	TUBE AIR/C COLLECT	TUBE AIR/C COLLECT	1	
17254		17254-KACA-P00	PLUG AIR/C CONN TUBE	PLUG AIR/C CONN TUBE	1	
17255		17255-LDB2-E00	DUCT COMP	DUCT COMP	1	
17256		17256-LDB2-E00	PLUG AIR/C DUCT	PLUG AIR/C DUCT	1	
17359		17359-4K19-671	JOINT BREATHER TUBE	JOINT BREATHER TUBE	1	
17370		17370-4K19-701	PLUG BREATHER TUBE	PLUG BREATHER TUBE	1	
17371		17371-1D74-671	CLIP BREATHER TUBE	CLIP BREATHER TUBE	4	
19411		19411-KHC4-900	CLIP HOSE	CLIP HOSE	1	
90114		90114-GDM4-011	BOLT FLANGE SH 6*28	BOLT FLANGE SH 6*28	2	
90652		90652-KHE7-900	BAND CONNECTING TUBE	BAND CONNECTING TUBE	1	
91407		91407-SGA7-004	CLAMP 17.0 FUEL HOSE	CLAMP 17.0 FUEL HOSE	1	
93891		93891-05016-00	SCREW WASHER 5*16	SCREW WASHER 5*16	10	
95002-02130		95002-02130	CLIP B12.5 TUBE	CLIP B12.5 TUBE	1	

F13

Air Cleaner

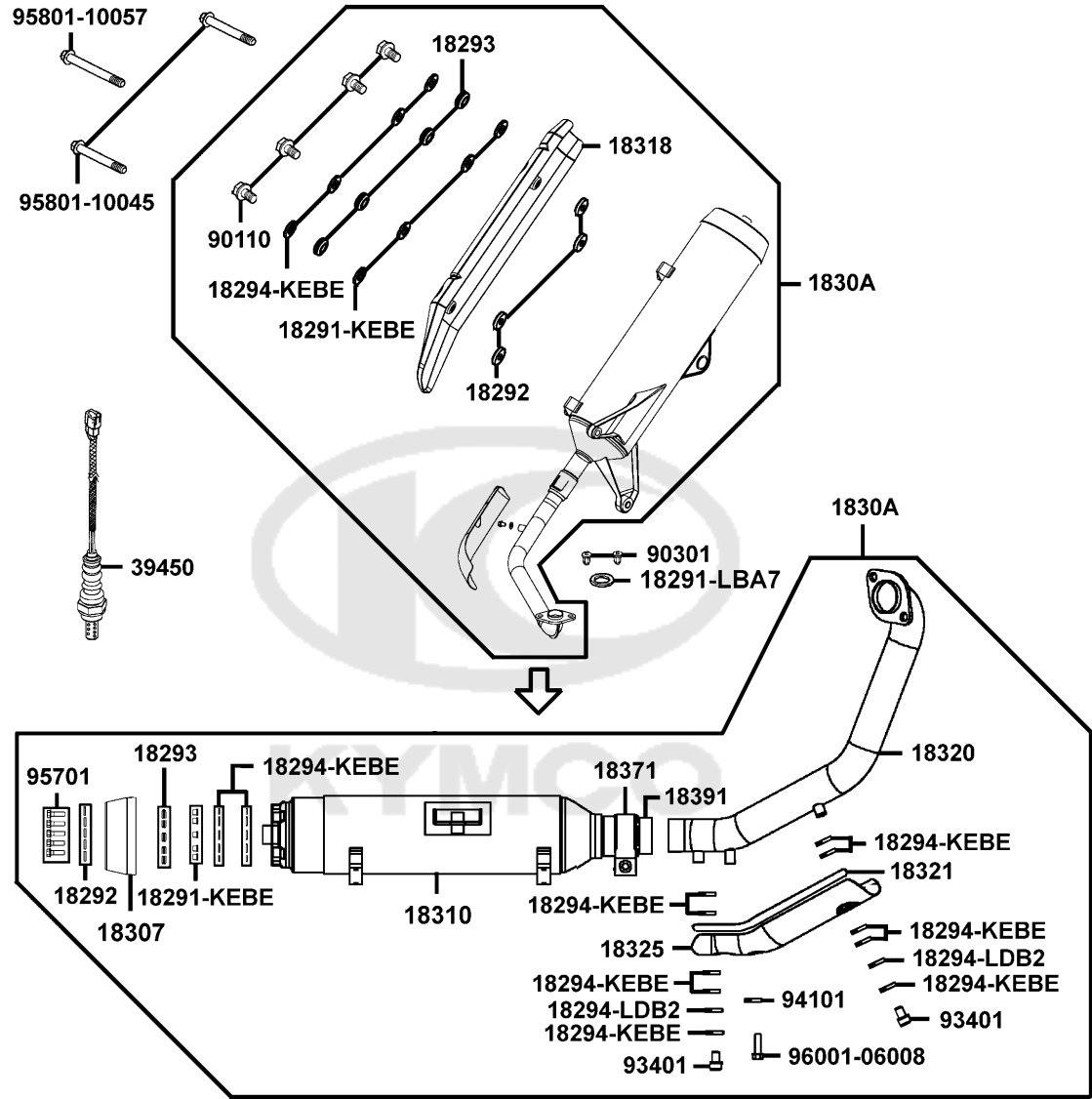


Sales mark	Ref no	Part no	Description	Reg description	Regd no	F13
------------	--------	---------	-------------	-----------------	---------	------------

95002-02150	95002-02150	95002-02150	CLIP B14.5 TUBE	CLIP B14.5 TUBE	2	
95003		95003-23024-60	V TUBE 8*12*240	V TUBE 8*12*240	1	

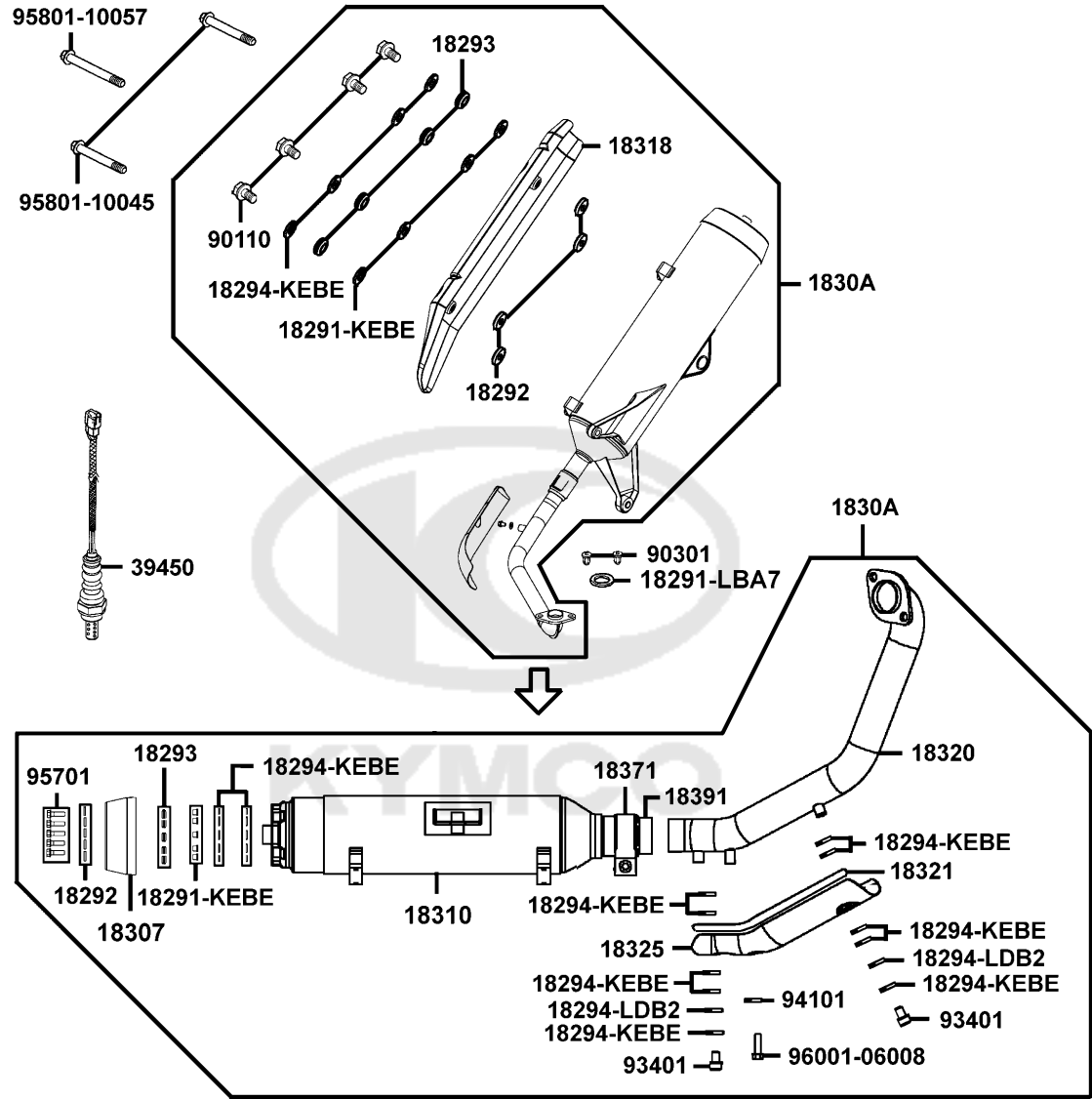


Exhaust Muffler



Sales mark	Ref no	Part no	Description	Reg description	Regd no	F14
	18291-KEBE	18291-KEBE-900	COLLAR	COLLAR	9	
	18291-LBA7	18291-LBA7-900	GASKET EXH PIPE	GASKET EXH PIPE	1	
	18292	18292-KEBE-900	PACKING PROTECTOR	PACKING PROTECTOR	9	
	18293	18293-KEBE-900	RUBBER PKG PROTECTOR	RUBBER PKG PROTECTOR	9	
	18294-KEBE	18294-KEBE-900	PACKING PROTECTOR	PACKING PROTECTOR	24	
	18294-LDB2	18294-LDB2-900	PACKING INNER PROTECTOR	PACKING INNER PROTECTOR	2	
**	18307	18307-LDB2-E00	TAIL CAP MUFFLER	TAIL CAP MUFFLER	1	
**	1830A	1830A-LFG2-E00	MUFFLER ASSY.. EXHAUST	MUFFLER ASSY.. EXHAUST	1	
	18310	18310-LFG2-E00	MUFFLER COMP.	MUFFLER COMP.	1	
**	18318	18318-LBA2-E01	PROTECTOR MUFFLER	PROTECTOR MUFFLER	1	
	18320	18320-LFG2-E00	PIPE EXHAUST	PIPE EXHAUST	1	
	18321	18321-LDB2-900	INNER PROTECTOR EXE PIPE	INNER PROTECTOR EXE PIPE	1	
**	18325	18325-LDB2-900	PROTECTOR EXH PIPE	PROTECTOR EXH PIPE	1	
	18371	18371-LDB2-E00	BAND MUFFLER	BAND MUFFLER	1	
	18391	18391-LDB2-E00	GASKET	GASKET	1	
	39450	39450-LDF2-800	O2 SENSOR	O2 SENSOR	1	
	90110	90110-KEBE-900	SCREW SPECIAL 6*22	SCREW SPECIAL 6*22	4	
	90301	90301-GFY6-901	NUT (HEX) CAP 8MM	NUT (HEX) CAP 8MM	2	
	93401	93401-LDB2-900	BOLT WASHER 6*26	BOLT WASHER 6*26	2	
	94101	94101-06700	WASHER PLAIN 6MM	WASHER PLAIN 6MM	1	

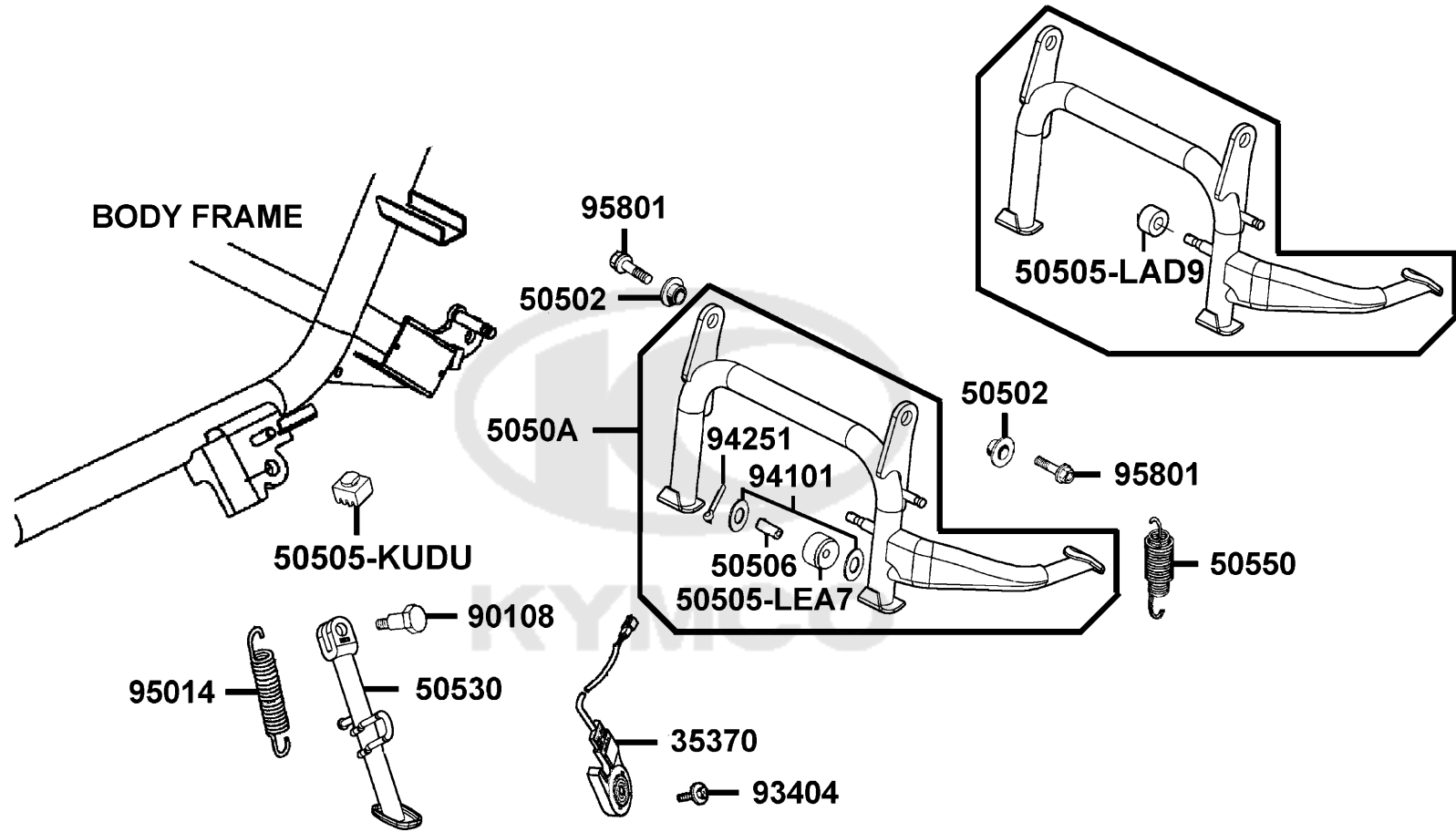
Exhaust Muffler



Sales mark	Ref no	Part no	Description	Reg description	Regd no	F14
------------	--------	---------	-------------	-----------------	---------	------------

95701		95701-06022-06	BOLT FLANGE 6*22	BOLT FLANGE 6*22	5	
95801-10045		95801-10045-06	BOLT FLANGE 10*45 (G)	BOLT FLANGE 10*45 (G)	2	
95801-10057		95801-10057-06	BOLT FLANGE 10*57 (G)	BOLT FLANGE 10*57 (G)	1	
96001-06008		96001-06008-07	BOLT FLANGE 6*8	BOLT FLANGE 6*8	1	

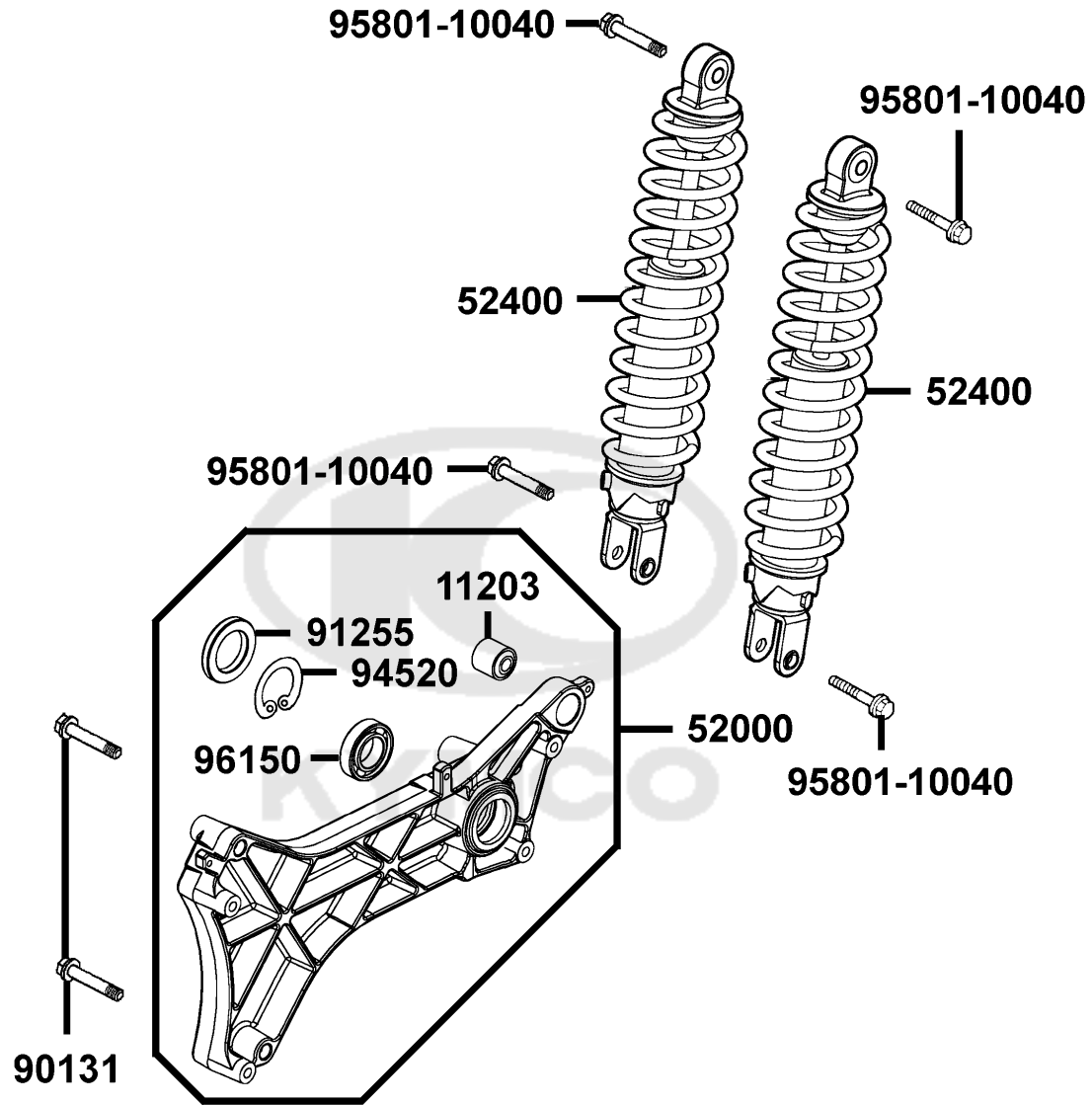




Sales mark	Ref no	Part no	Description	Reg description	Regd no	F15
35370		35370-KEC8-E00	SW UNIT SIDE STAND	SW UNIT SIDE STAND	1	
50502		50502-GFY6-901	COLLAR MAIN STAND	COLLAR MAIN STAND	2	
50505-KUDU		50505-KUDU-900	STOPPER RUBBER STAND	STOPPER RUBBER STAND	1	
50505-LAD9		50505-LAD9-900	STOPPER RUBBER	STOPPER RUBBER	1	
50505-LEA7		50505-LEA7-E00	STOPPER RUBBER	STOPPER RUBBER	1	
50506		50506-KHE7-E00	COLLAR STOPPER RUBBER	COLLAR STOPPER RUBBER	1	
5050A		5050A-LDB2-E00	STAND ASSY MAIN	STAND ASSY MAIN	1	
50530		50530-LDB2-E00	BAR SIDE STAND	BAR SIDE STAND	1	
50550		50550-KKC2-E00	SPRING ASSY MAIN STAND	SPRING ASSY MAIN STAND	1	
90108		90108-KKC4-900	SCREW SIDE STAND PIVOT	SCREW SIDE STAND PIVOT	1	
93404		93404-06016-06	BOLT WASHER 6*16	BOLT WASHER 6*16	1	
94101		94101-08700	WASHER PLAIN 8MM	WASHER PLAIN 8MM	2	
94251		94251-08400	PIN LOCK 8MM	PIN LOCK 8MM	1	
95014		95014-72204	SPRING B1 SIDE STAND	SPRING B1 SIDE STAND	1	
95801		95801-10025-08	BOLT FLANGE 10*25	BOLT FLANGE 10*25	2	

F16

Rear Cushion

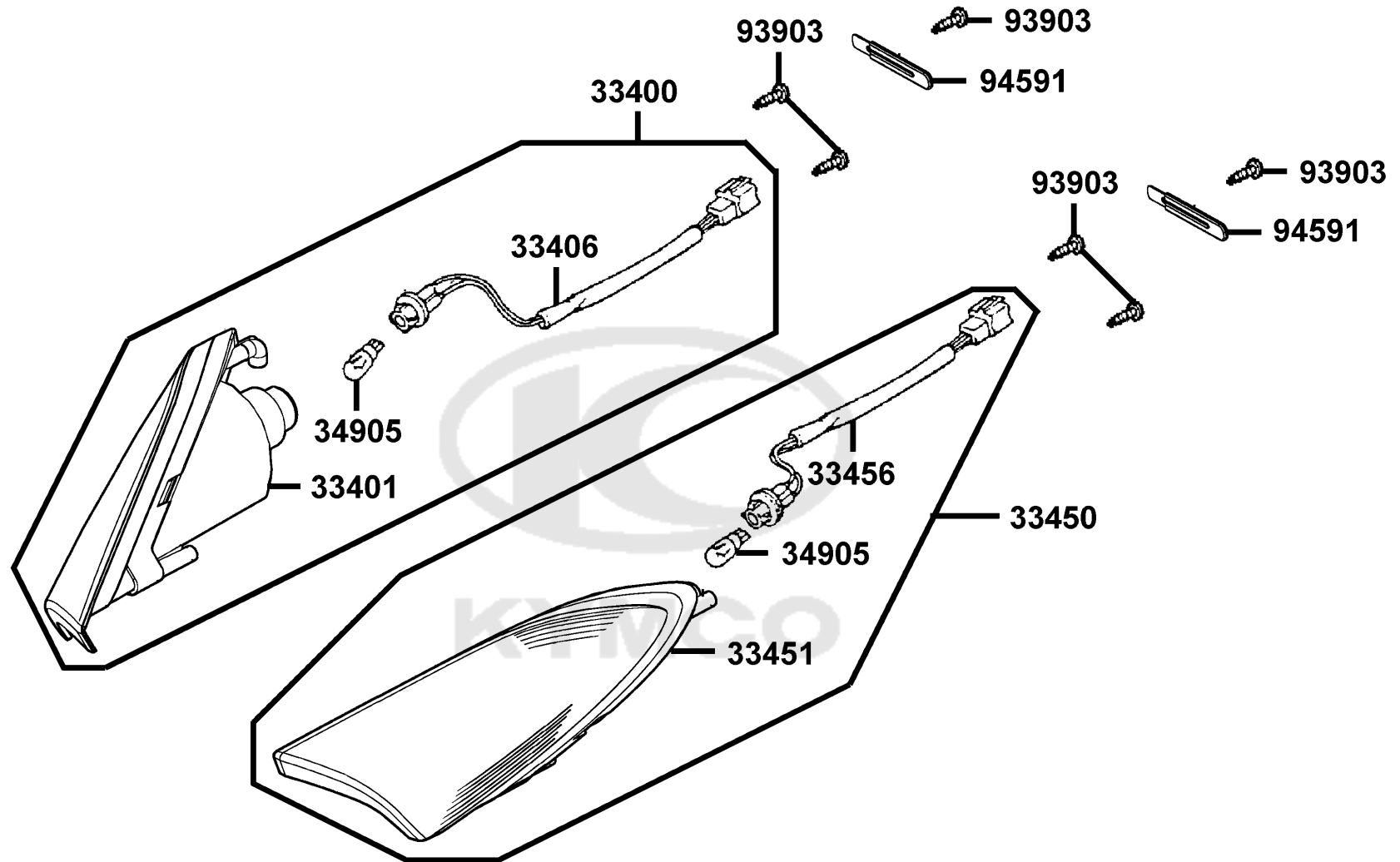


Sales mark	Ref no	Part no	Description	Reg description	Regd no	F16
	11203	11203-LBA2-E00	RUB BUSH L CASE	RUB BUSH L CASE	1	
**	52000	52000-LDB2-E00	FORK ASSY REAR	FORK ASSY REAR	1	
**	52400	52400-LDB2-E00	CUSHION ASSY R RR	CUSHION ASSY R RR	2	
	90131	90131-LFG2-E00	BOLT FLANGE 8*55(Cr)	BOLT FLANGE 8*55(Cr)	2	
	91255	91255-KHE7-900	OIL SEAL 34*52*7	OIL SEAL 34*52*7	1	
	94520	94520-47000	CIR CLIP IN 47	CIR CLIP IN 47	1	
	95801-10040	95801-10040-02	BOLT FLANGE 10*40	BOLT FLANGE 10*40	4	
	96150	96150-62040-10	BEARING BALL RADIAL 6204	BEARING BALL RADIAL 6204	1	



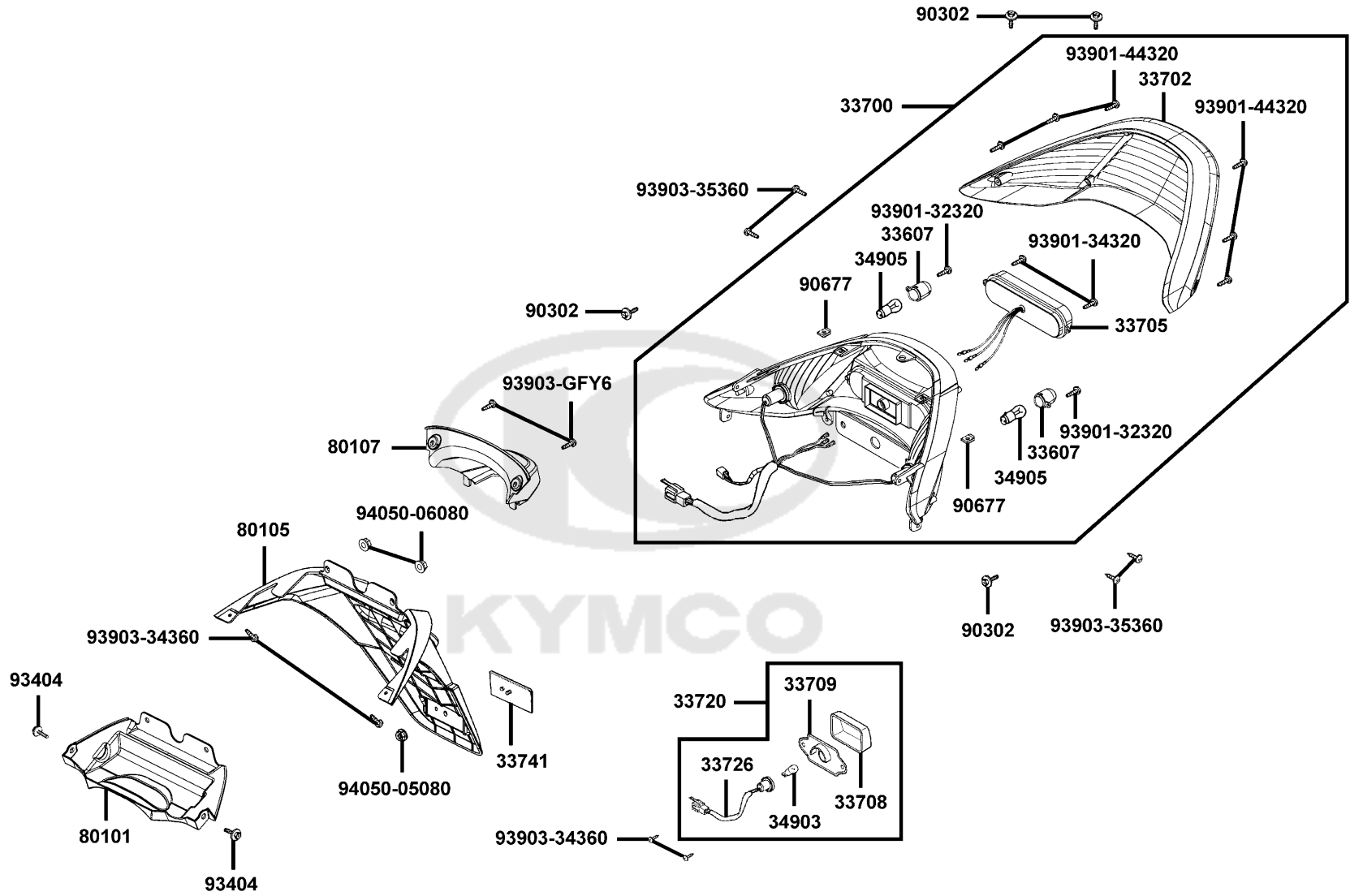
F17

Front Winker RR WINKER

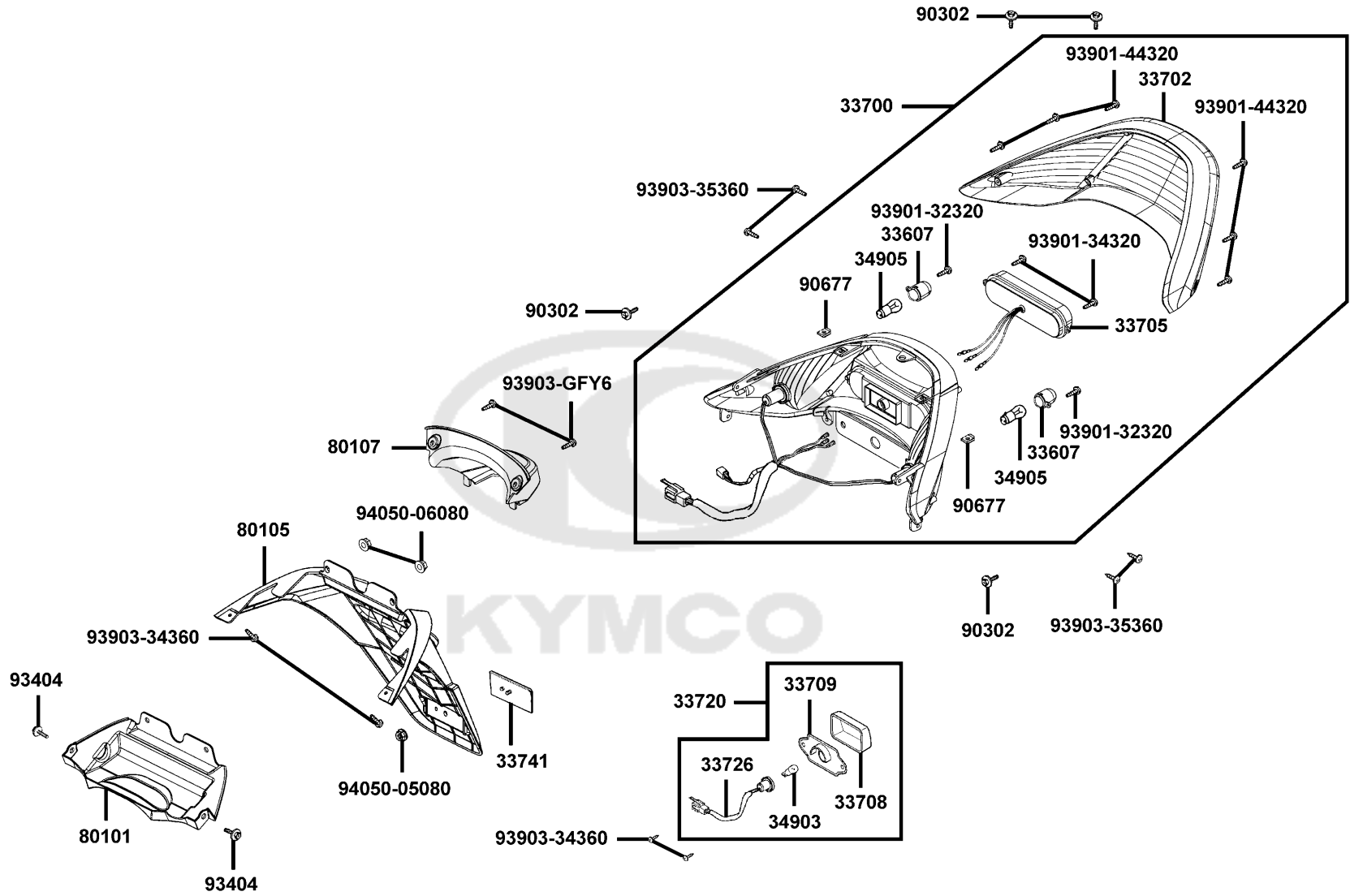



Sales mark	Ref no	Part no	Description	Reg description	Regd no	F17
	33400	33400-LBA2-E00	WINKER ASSY R FR	WINKER ASSY R FR	1	
	33401	33401-LBA2-E00	UNIT WINKER R FR	UNIT WINKER R FR	1	
	33406	33406-LBA2-E00	SOCKET WINKER R	SOCKET WINKER R	1	
	33450	33450-LBA2-E00	WINKER ASSY L FR	WINKER ASSY L FR	1	
	33451	33451-LBA2-E00	UNIT WINKER L FR	UNIT WINKER L FR	1	
	33456	33456-LBA2-E00	SOCKET WINKER L	SOCKET WINKER L	1	
	34905	34905-KPCP-900	BLUB WINKER 12V10W	BLUB WINKER 12V10W	2	
	93903	93903-34360	SCREW TAPPING 4*12	SCREW TAPPING 4*12	6	
	94591	94591-27000	CLIP 2*100	CLIP 2*100	2	





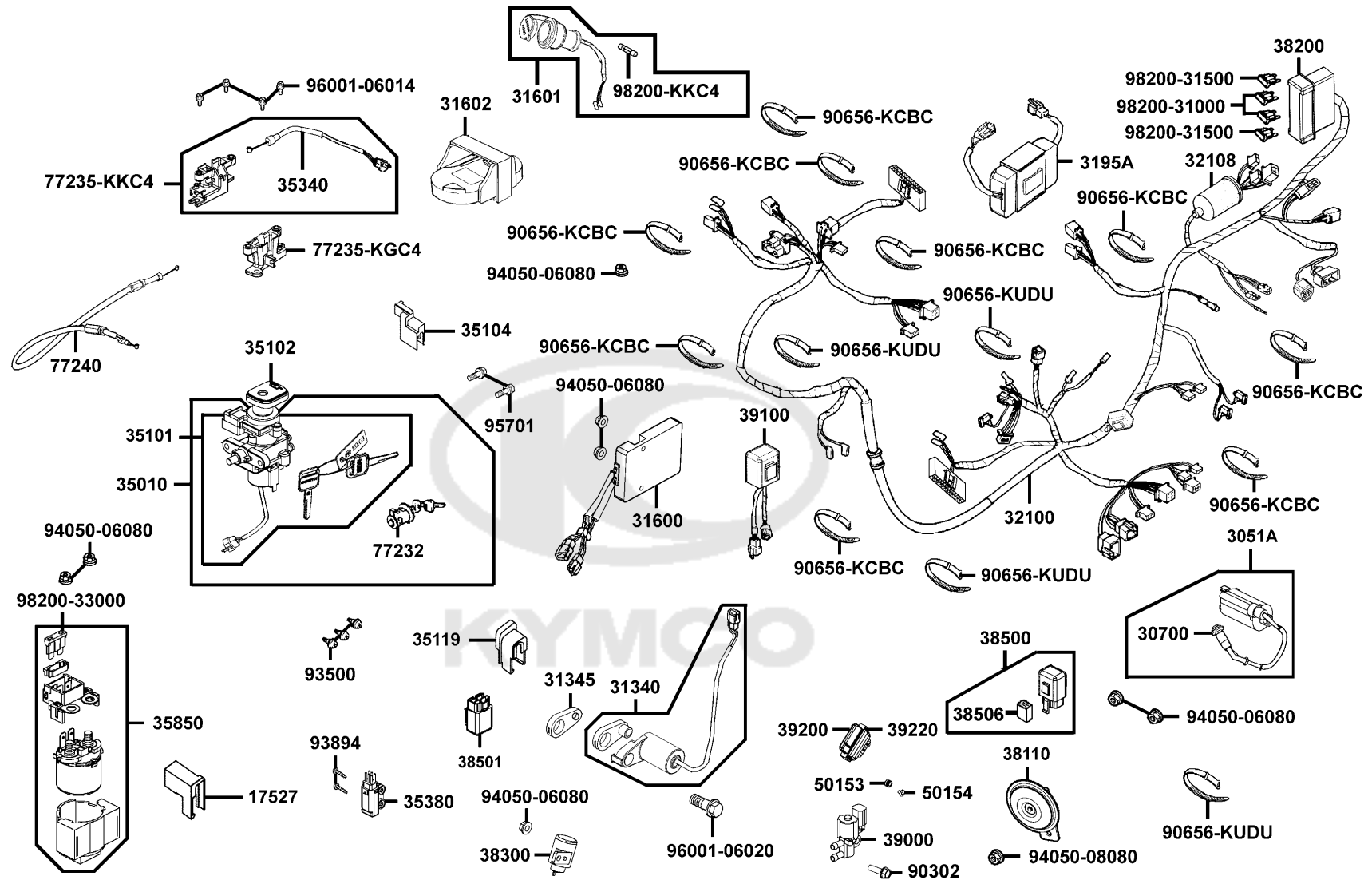
Sales mark	Ref no	Part no	Description	Reg description	Regd no	F18
	33607	33607-KKD7-E00	INNER LENS WINKER	INNER LENS WINKER	2	
	33700	33700-LBA2-E00	LIGHT ASSY RR COMB	LIGHT ASSY RR COMB	1	
	33702	33702-LBA2-E00	LENS TAIL LIGHT	LENS TAIL LIGHT	1	
	33705	33705-LBA2-305	LIGHT COMB LED	LIGHT COMB LED	1	
	33708	33708-KHE7-E00	LENS LICENSE	LENS LICENSE	1	
	33709	33709-KHE7-E00	BASE LICENSE	BASE LICENSE	1	
	33720	33720-LBB5-E00	LIGHT ASSY LICENSE	LIGHT ASSY LICENSE	1	
	33726	33726-LBB5-E00	SCOKET COMP	SCOKET COMP	1	
	33741	33741-KHC5-M00	REFLEX REFLECTOR	REFLEX REFLECTOR	1	
	34903	34903-KPCP-900	BULB POSITION	BULB POSITION	1	
	34905	34905-KPCP-900	BLUB WINKER 12V10W	BLUB WINKER 12V10W	2	
	80101	80101-LBA2-E00	FENDER RR INNER	FENDER RR INNER	1	
**	80105	80105-LBA2-E00	FENDER RR	FENDER RR	1	
	80107	80107-LBA2-E00	COVER LICENSE LIGHT	COVER LICENSE LIGHT	1	
	90302	90302-GFY6-940	BOLT WASHER 5*16	BOLT WASHER 5*16	4	
	90677	90677-GAR1-004	NUT CLIP 5MM	NUT CLIP 5MM	2	
	93404	93404-06016-06	BOLT WASHER 6*16	BOLT WASHER 6*16	3	
	93901-32320	93901-32320	SCREW TAPPING 3*12	SCREW TAPPING 3*12	2	
	93901-34320	93901-34320	SCREW TAPPING 4*12	SCREW TAPPING 4*12	2	
	93901-44320	93901-44320	SCREW TAPPING 4*12	SCREW TAPPING 4*12	6	



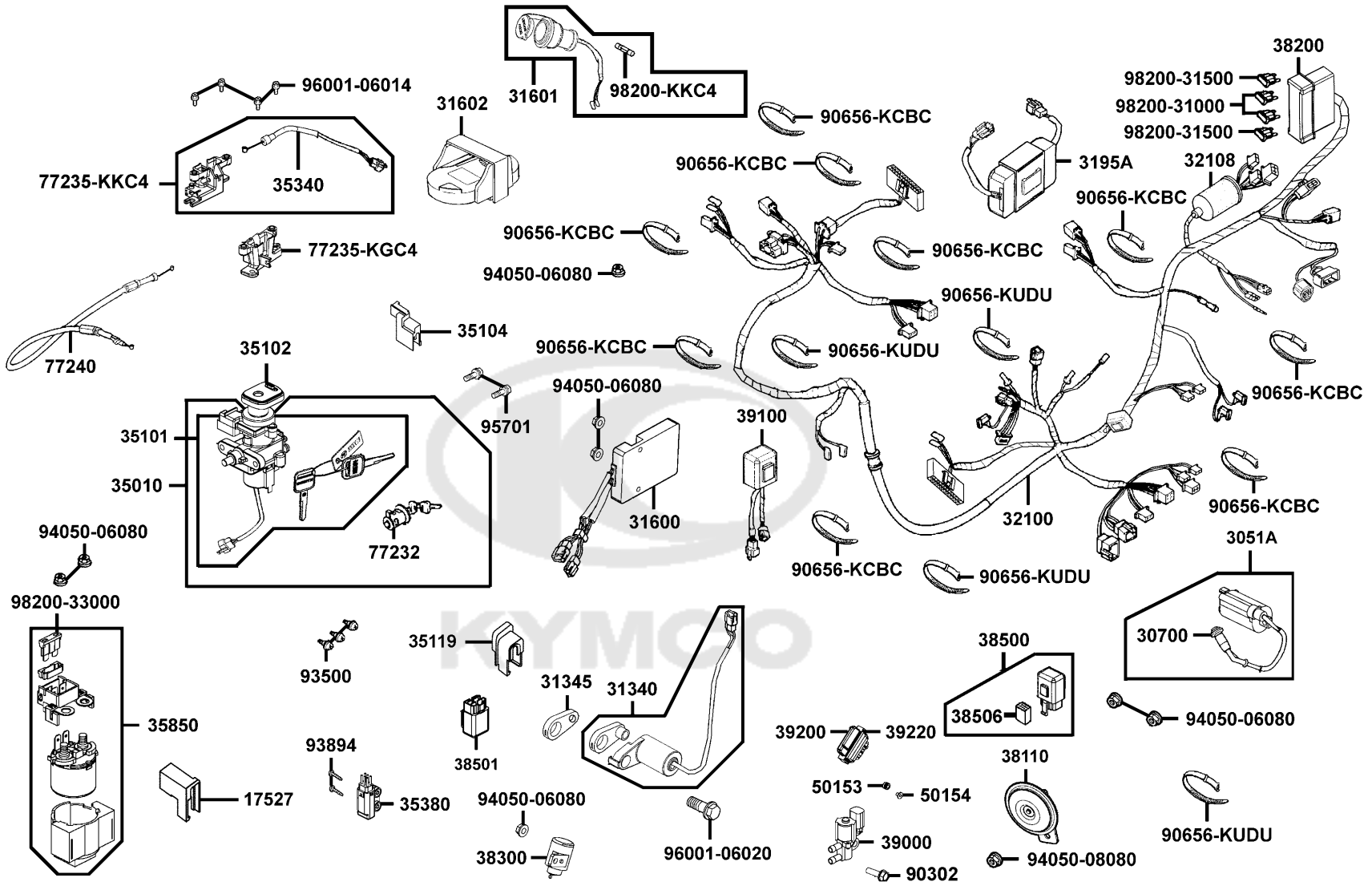
Sales mark	Ref no	Part no	Description	Reg description	Regd no	F18
	93903-34360	93903-34360	SCREW TAPPING 4*12	SCREW TAPPING 4*12	4	
	93903-35360	93903-35360	SCREW TAPPING 5*16	SCREW TAPPING 5*16	4	
	93903-GFY6	93903-GFY6-900	SCREW TAPP 4*14	SCREW TAPP 4*14	2	
	94050-05080	94050-05080	NUT FLANGE 5MM	NUT FLANGE 5MM	1	
	94050-06080	94050-06080	NUT FLANGE 6MM	NUT FLANGE 6MM	2	
						

Sales mark	Ref no	Part no	Description	Reg description	Regd no	F19
17527		17527-LBA2-900	SLIDE COVER FUEL CAP	SLIDE COVER FUEL CAP	1	
3051A		3051A-LDF2-900	COIL ASSY IGNITION	COIL ASSY IGNITION	1	
30700		30700-KFC8-E0H	CAP ASSY NOISE SUPPRESOR	CAP ASSY NOISE SUPPRESOR	1	
31340		31340-LBA2-E0A	SENSOR FR WHEEL SPEED	SENSOR FR WHEEL SPEED	1	
31345		31345-LBA2-E00	WASHER WHEEL SPEED SENSOR	WASHER WHEEL SPEED SENSOR	1	
31600		31600-KED9-900	REG REC COMP	REG REC COMP	1	
31601		31601-LDF2-900	SOCKET COMP DC 12V	SOCKET COMP DC 12V	1	
31602		31602-KKC4-900	SOCKET COMP CELL-PHONE	SOCKET COMP CELL-PHONE	1	
3195A		3195A-LBA2-E00	HAZARD CONTROL ASSY	HAZARD CONTROL ASSY	1	
32100		32100-LFG2-E00	HARNES WIRE	HARNES WIRE	1	
32108		32108-GAR1-711	COVER HARNES WIRE	COVER HARNES WIRE	1	
35010		35010-LBA2-315-M1	KEY SET	KEY SET	1	
35010		35010-LBA2-315-M2	KEY SET	KEY SET	1	
35101		35101-LBA2-315-M1	SW SET COMB & LOCK	SW SET COMB & LOCK	1	
35101		35101-LBA2-315-M2	SW SET COMB & LOCK	SW SET COMB & LOCK	1	
35102		35102-LBA2-315-M1	SHUTTER MAGNETIC	SHUTTER MAGNETIC	1	
35102		35102-LBA2-315-M2	SHUTTER MAGNETIC	SHUTTER MAGNETIC	1	
35104		35104-KHC4-90A	PLATE COVER FUEL CAP CABLE	PLATE COVER FUEL CAP CABLE	1	
35104		35104-KHC4-90B	PLATE COVER FUEL CAP CABLE	PLATE COVER FUEL CAP CABLE	1	
35119		35119-KHC4-90A	COVER SEAT CABLE	COVER SEAT CABLE	1	

Sales mark	Ref no	Part no	Description	Reg description	Regd no	F19
	35119	35119-KHC4-90B	COVER SEAT CABLE	COVER SEAT CABLE	1	
	35340	35340-KKC4-80A	STOP SWITCH	STOP SWITCH	1	
	35340	35340-KKC4-80B	STOP SWITCH	STOP SWITCH	1	
	35380	35380-LDF2-900	SENSOR ANGLE DETECT	SENSOR ANGLE DETECT	1	
	35850	35850-LBA2-E00	SET START MAG	SET START MAG	1	
	38110	38110-KHB4-E0A	HORN COMP	HORN COMP	1	
	38110	38110-KHB4-E0B	HORN COMP	HORN COMP	1	
	38110	38110-KHB4-E0C	HORN COMP	HORN COMP	1	
	38200	38200-KHE7-900	BOX COMP FUSE	BOX COMP FUSE	1	
	38300	38300-LEA5-E0A	RELAY ASSY WINKER	RELAY ASSY WINKER	1	
	38500	38500-LGL3-90A	RELAY ASSY LIGHT/D402	RELAY ASSY LIGHT/D402	1	
	38500	38500-LGL3-90D	RELAY COMP. START	RELAY COMP. START	1	
	38501	38501-KHD8-900	RELAY ASSY LIGHT	RELAY ASSY LIGHT	1	
	38501	38501-KHD8-90A	RELAY ASSY LIGHT	RELAY ASSY LIGHT	1	
	38506	38506-KHD8-900	CUSHION START RELAY	CUSHION START RELAY	1	
	39000	39000-LDF2-800	VALVE UNIT SOLENOID	VALVE UNIT SOLENOID	1	
	39100	39100-KHD8-900	EMI FILTER MOTOR	EMI FILTER MOTOR	1	
	39200	39200-LFG2-800	ECU UNIT	ECU UNIT	1	
	39220	39220-LDF2-900	CUSHION CASE ECU	CUSHION CASE ECU	1	
	50153	50153-LDF2-900	RUBBER SOLENOID VALVE	RUBBER SOLENOID VALVE	1	



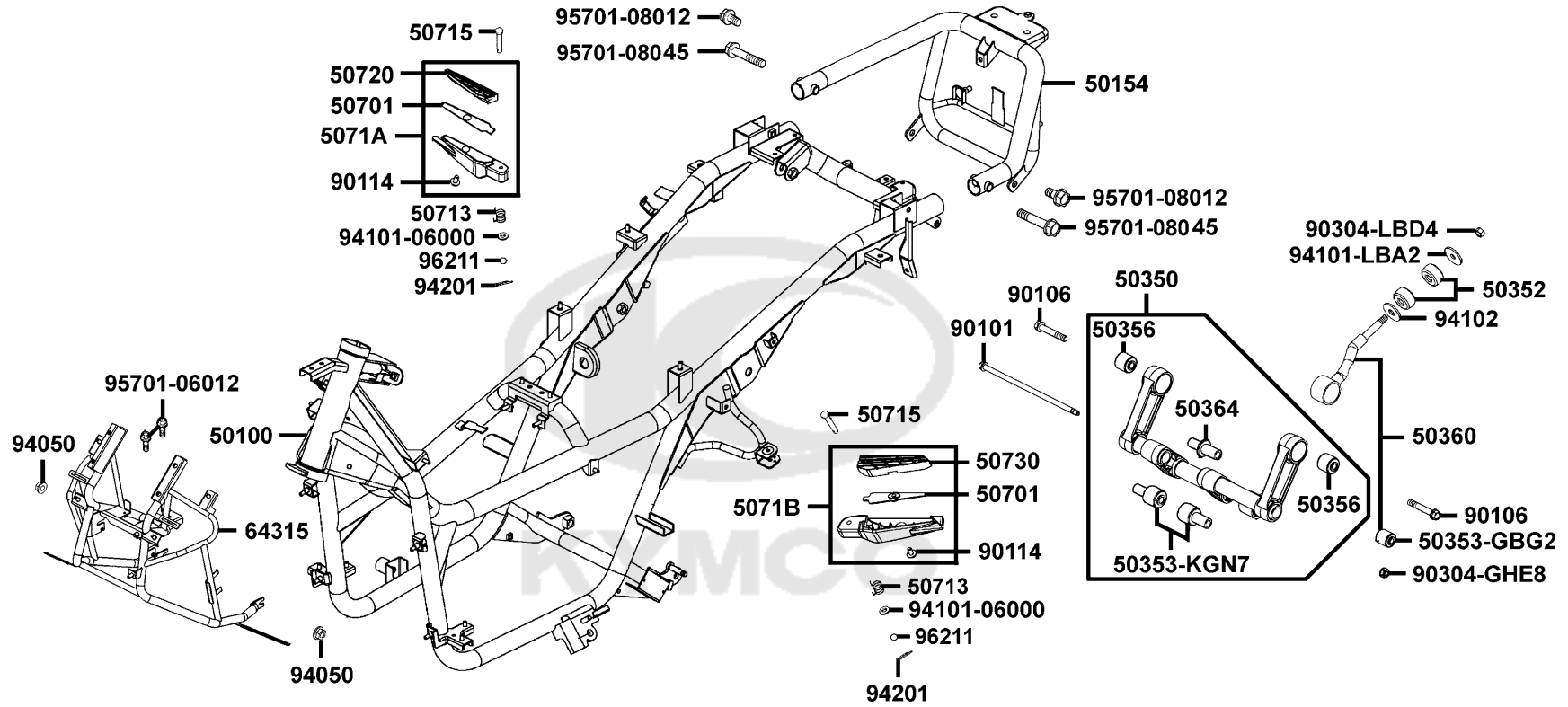
Sales mark	Ref no	Part no	Description	Reg description	Regd no	F19
	50154	50154-LDF2-900	COLLAR	COLLAR	1	
	77232	77232-GLW0-316-M1	LOCK SET FUEL LID	LOCK SET FUEL LID	1	
	77232	77232-GLW0-316-M2	LOCK SET FUEL LID	LOCK SET FUEL LID	1	
	77235-KGC4	77235-KGC4-E0A	SEAT CATCH	SEAT CATCH	1	
	77235-KGC4	77235-KGC4-E0B	SEAT CATCH	SEAT CATCH	1	
	77235-KKC4	77235-KKC4-80A	CATCH SET SEAT	CATCH SET SEAT	1	
	77235-KKC4	77235-KKC4-80B	CATCH SET SEAT	CATCH SET SEAT	1	
	77240	77240-LBA2-E00	CABLE SEAT LOCK	CABLE SEAT LOCK	1	
	90302	90302-KFC2-900	BOLT WASHER 5*25	BOLT WASHER 5*25	1	
	90656-KCBC	90656-KCBC-900	BAND OIL HANDLE	BAND OIL HANDLE	10	
**	90656-KUDU	90656-KUDU-900	BAND HARNESS WIRE	BAND HARNESS WIRE	3	
	93500	93500-KHC4-90A	SCREW PAN 5*10	SCREW PAN 5*10	3	
	93894	93894-04022-08	SCREW WASHER 4*22	SCREW WASHER 4*22	2	
	94050-06080	94050-06080	NUT FLANGE 6MM	NUT FLANGE 6MM	8	
	94050-08080	94050-08080	NUT FLANGE 8MM	NUT FLANGE 8MM	1	
	95701	95701-KHC5-E00	BOLT TORQUE 8*25	BOLT TORQUE 8*25	2	
	96001-06014	96001-06014-08	BOLT FLANGE 6*14	BOLT FLANGE 6*14	4	
	96001-06020	96001-06020-06	BOLT FLANGE SH 6*20	BOLT FLANGE SH 6*20	1	
	98200-31000	98200-31000	BLADE FUSE 10A	BLADE FUSE 10A	2	
	98200-31500	98200-31500	BLADE FUSE 15A	BLADE FUSE 15A	2	



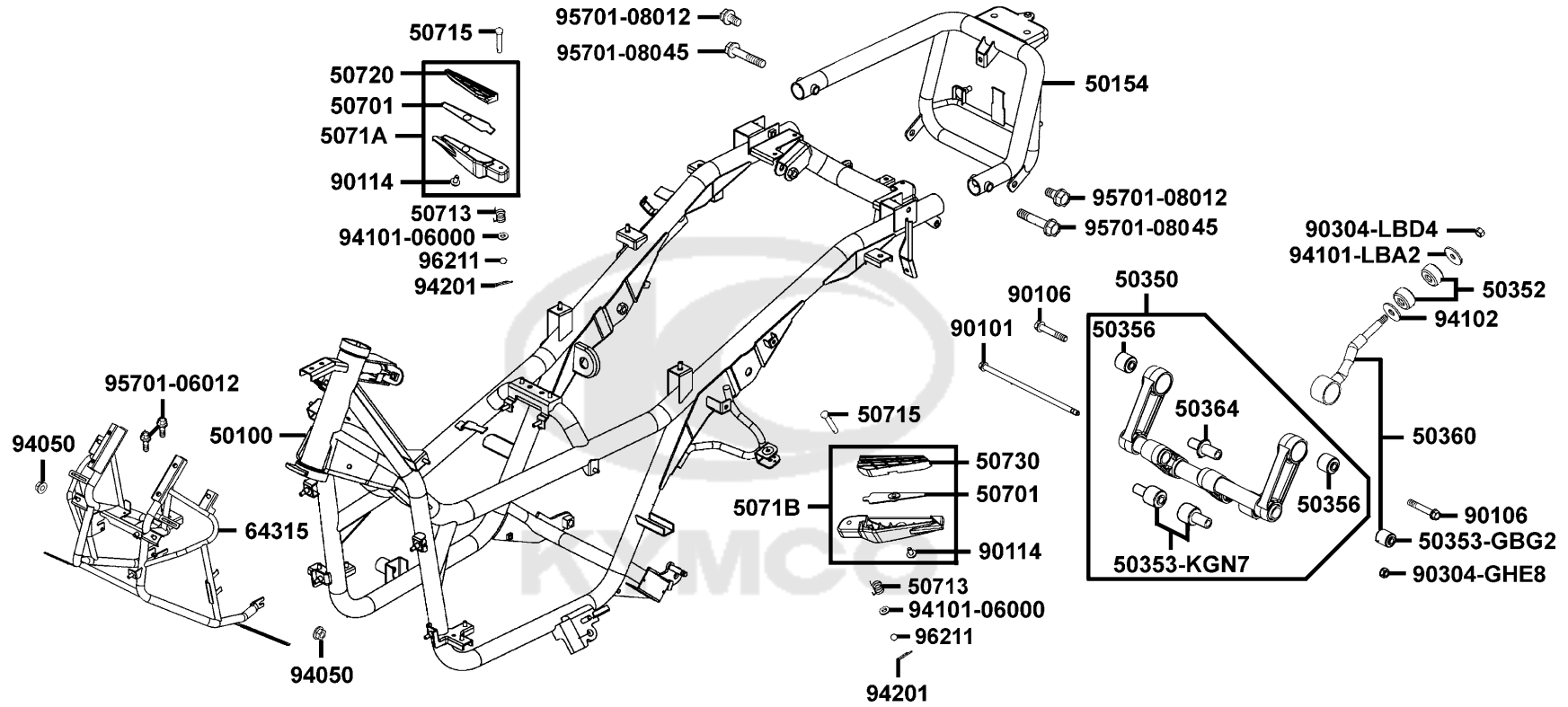
Sales mark	Ref no	Part no	Description	Reg description	Regd no	F19
------------	--------	---------	-------------	-----------------	---------	------------

98200-33000		98200-33000	BLADE FUSE 30A	BLADE FUSE 30A	1	
98200-KKC4		98200-KKC4-900	FUSE 0.8A	FUSE 0.8A	1	

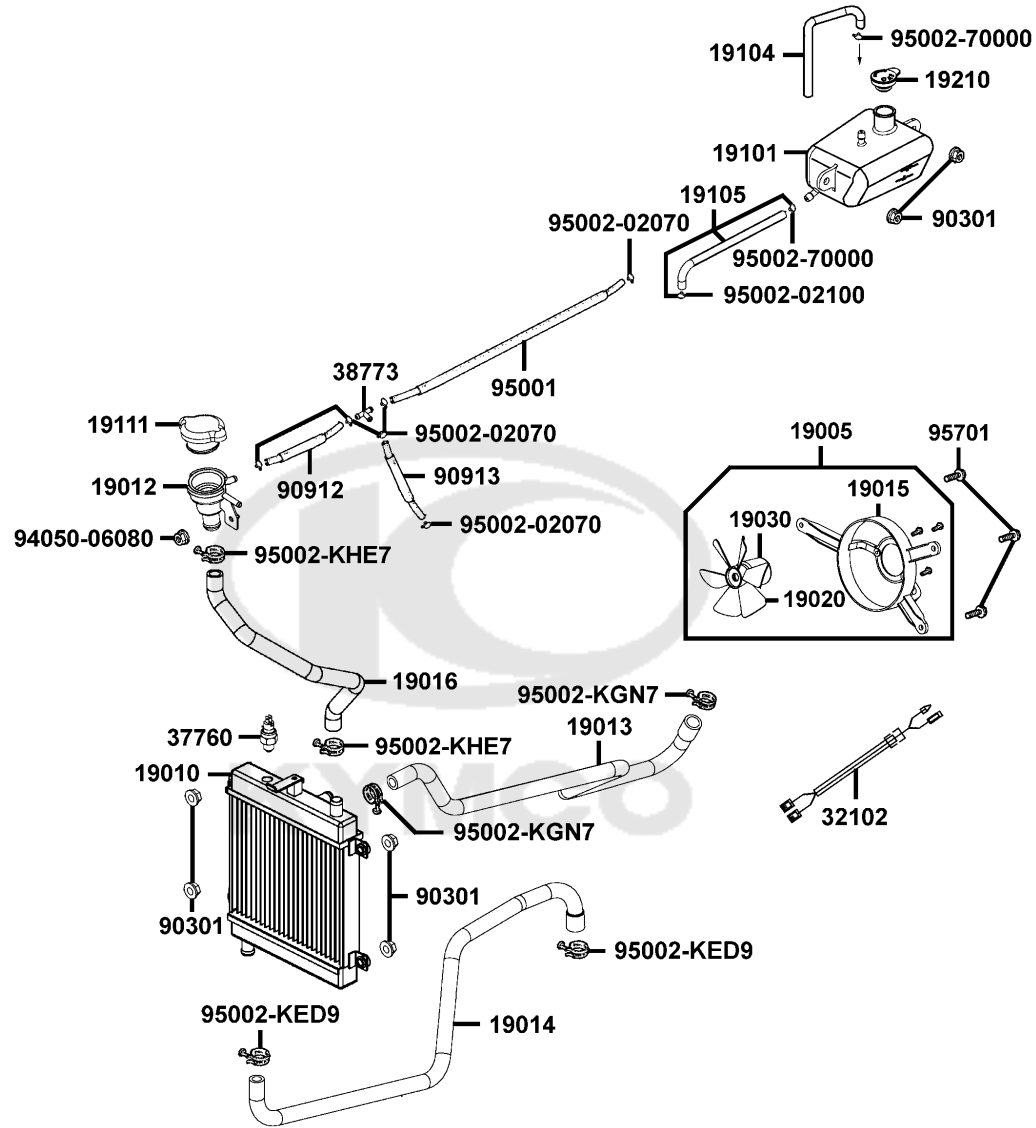




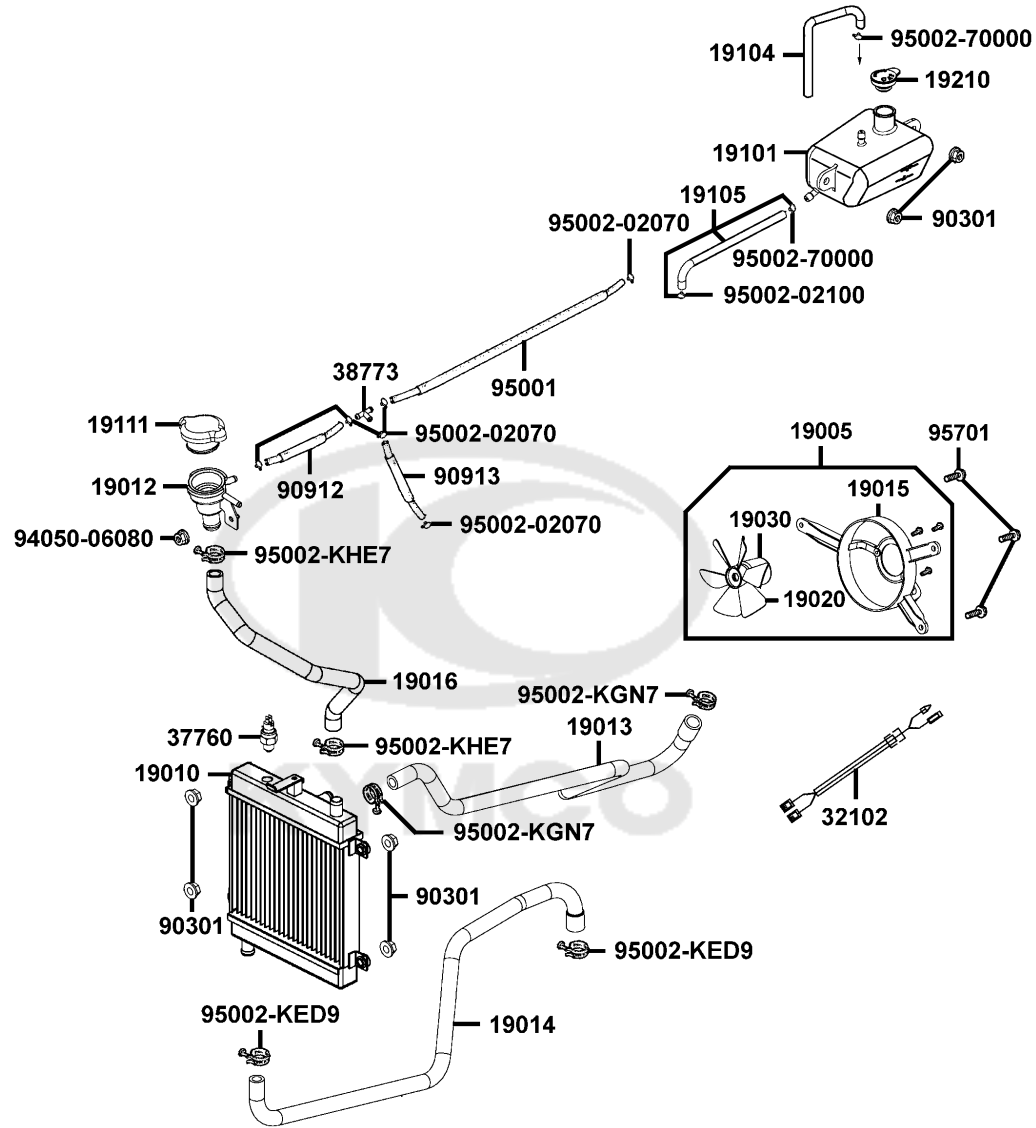
Sales mark	Ref no	Part no	Description	Reg description	Regd no	F20
	50100	50100-LDF2-900	BODY COMP FRAME	BODY COMP FRAME	1	
	50154	50154-LBA2-E00	STAY RR CARRIER	STAY RR CARRIER	1	
	50350	50350-LDB2-E00	ENG HANGER COMP	ENG HANGER COMP	1	
	50352	50352-LBA2-E00	RUBBER STOPPER	RUBBER STOPPER	2	
	50353-GBG2	50353-GBG2-711	BUSH SWING LOCK	BUSH SWING LOCK	1	
	50353-KGN7	50353-KGN7-901	BUSH A ENG HANGER	BUSH A ENG HANGER	2	
	50356	50356-KHE7-E00	BUSH SWING LOCK	BUSH SWING LOCK	2	
	50360	50360-LDB2-E00	TIE ROD ASSY ENG HANGER	TIE ROD ASSY ENG HANGER	1	
	50364	50364-KHE7-E00	COLLAR B ENG HANGER	COLLAR B ENG HANGER	1	
	50701	50701-LBA2-E00	STAY RR STEP	STAY RR STEP	2	
	50713	50713-KEB7-900	SPRING	SPRING	2	
	50715	50715-KEB7-900	PIN RR STEP	PIN RR STEP	2	
	5071A	5071A-LFG2-E00	BAR R STEP ASSY	BAR R STEP ASSY	1	
	5071B	5071B-LFG2-E00	BAR L STEP ASSY	BAR L STEP ASSY	1	
	50720	50720-LBA2-E00	RUBBER R STEP	RUBBER R STEP	1	
	50730	50730-LBA2-E00	RUBBER L STEP	RUBBER L STEP	1	
	64315	64315-LDG7-800	BRKT FR COVER	BRKT FR COVER	1	
	90101	90101-KNBN-200	BOLT FLANGE 10*275	BOLT FLANGE 10*275	1	
	90106	90106-KHE7-E00	BOLT FLANGE 12*59	BOLT FLANGE 12*59	2	
	90114	90114-KED9-900	SCREW PAN 6X12	SCREW PAN 6X12	2	



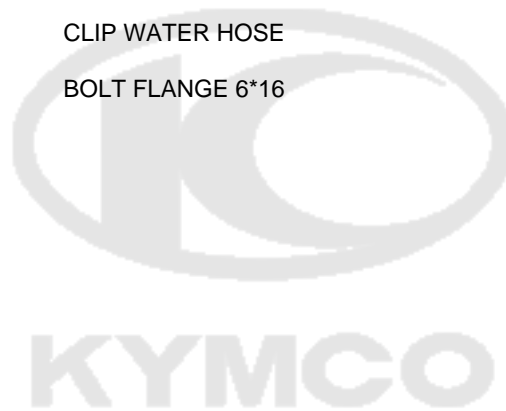
Sales mark	Ref no	Part no	Description	Reg description	Regd no	F20
	90304-GHE8	90304-GHE8-004-SY	NUT U FLANGE 10MM	NUT U FLANGE 10MM	1	
	90304-LBD4	90304-LBD4-900	NUT U FLANGE 10MM	NUT U FLANGE 10MM	1	
	94050	94050-06080	NUT FLANGE 6MM	NUT FLANGE 6MM	2	
	94101-06000	94101-06000	WASHER PLAIN 6MM	WASHER PLAIN 6MM	2	
	94101-LBA2	94101-LBA2-E00	WASHER PLAIN 10.5*38*3.0	WASHER PLAIN 10.5*38*3.0	1	
	94102	94102-LBA2-E00	WASHER PLAIN 38*12.5*3	WASHER PLAIN 38*12.5*3	1	
	94201	94201-16150	PIN SPLIT 1.6*15	PIN SPLIT 1.6*15	2	
	95701-06012	95701-06012-08	BOLT FLANGE 6*12	BOLT FLANGE 6*12	2	
	95701-08012	95701-08012-08	BOLT FLANGE 8X12	BOLT FLANGE 8X12	2	
	95701-08045	95701-08045-08	BOLT FLANGE 8*45	BOLT FLANGE 8*45	2	
	96211	96211-08000	BALL STEEL #8	BALL STEEL #8	2	



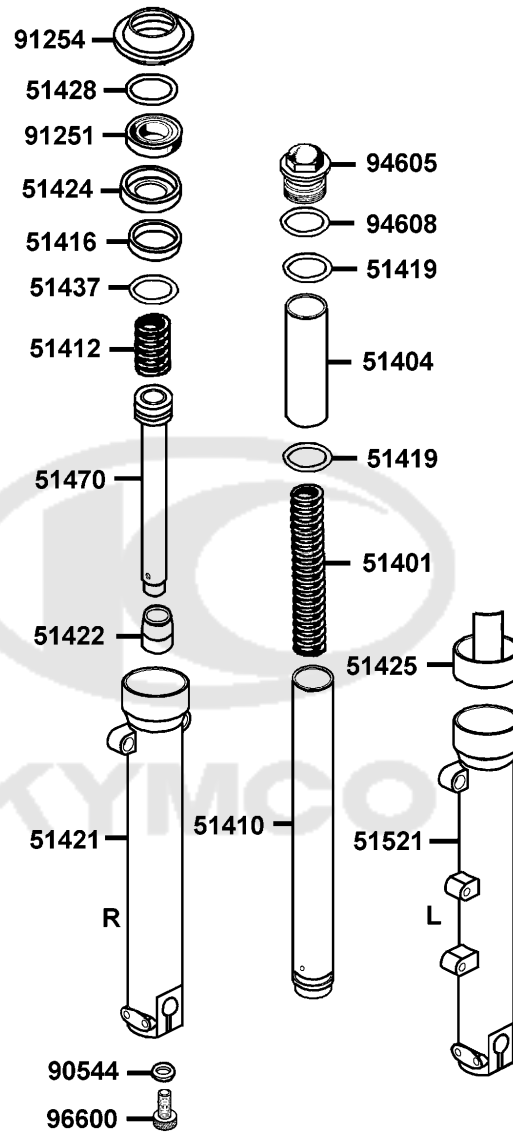
Sales mark	Ref no	Part no	Description	Reg description	Regd no	F21
	19005	19005-KKC4-900	SHROUD ASSY	SHROUD ASSY	1	
	19010	19010-LDB2-E00	RADIATOR COMP	RADIATOR COMP	1	
	19012	19012-KHD8-900	UNIT RADIATOR	UNIT RADIATOR	1	
	19013	19013-LDB2-E00	HOSE WATER INLET	HOSE WATER INLET	1	
	19014	19014-LDB2-E00	HOSE WATER OUTLET	HOSE WATER OUTLET	1	
	19015	19015-KKC4-900	SHROUD COMP	SHROUD COMP	1	
	19016	19016-LBA2-E00	HOSE EATER-UNIT CAP	HOSE EATER-UNIT CAP	1	
	19020	19020-KED9-900	FAN COOLING	FAN COOLING	1	
	19030	19030-KHD8-900	MOTOR ASSY FAN	MOTOR ASSY FAN	1	
	19101	19101-LBA2-E00	TANK RESERVE	TANK RESERVE	1	
	19104	19104-LBA2-E00	HOSE ASSY DRAIN	HOSE ASSY DRAIN	1	
	19105	19105-LBA2-E00	HOSE ASSY RESERVE-COOLER	HOSE ASSY RESERVE-COOLER	1	
	19111	19111-GBE2-004	CAP COMP	CAP COMP	1	
	19210	19210-KKC4-900	CAP RESERVE TANK	CAP RESERVE TANK	1	
	32102	32102-LBA2-E00	SUB CORD THERMO	SUB CORD THERMO	1	
	37760	37760-KHD8-900	SW ASSY THERMO	SW ASSY THERMO	1	
	38773	38773-PKB9-001	JOINT 3 WAY 3.5	JOINT 3 WAY 3.5	1	
	90301	90301-6D34-671	NUT FLANGE 6MM	NUT FLANGE 6MM	6	
	90912	90912-LBA2-E00	TUBE FUEL 3.5	TUBE FUEL 3.5	1	
	90913	90913-LDB2-E00	TUBE FUEL 3.5x1570	TUBE FUEL 3.5x1570	1	



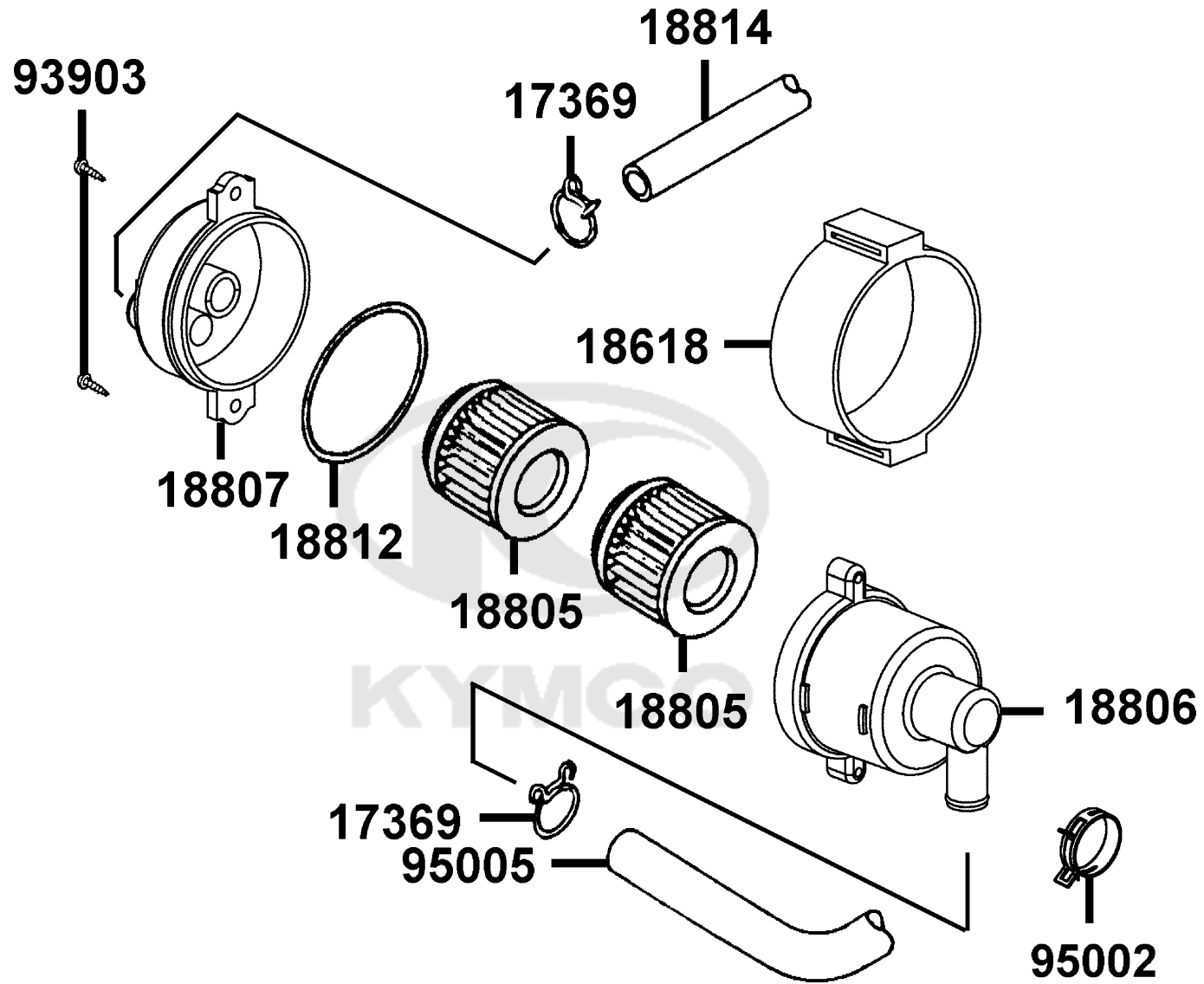
Sales mark	Ref no	Part no	Description	Reg description	Regd no	F21
	94050-06080	94050-06080	NUT FLANGE 6MM	NUT FLANGE 6MM	1	
	95001	95001-35600-40	TUBE FUEL 3.5*600	TUBE FUEL 3.5*600	1	
	95002-02070	95002-02070	CLIP B7 PORT TUBE	CLIP B7 PORT TUBE	6	
	95002-02100	95002-02100	CLIP B10 TUBE	CLIP B10 TUBE	1	
	95002-70000	95002-70000	CLIP C11 TUBE	CLIP C11 TUBE	2	
	95002-KED9	95002-KED9-900	CLIP HOSE	CLIP HOSE	2	
	95002-KGN7	95002-KGN7-910	CLIP TUBE	CLIP TUBE	2	
	95002-KHE7	95002-KHE7-900	CLIP WATER HOSE	CLIP WATER HOSE	2	
	95701	95701-06016-06	BOLT FLANGE 6*16	BOLT FLANGE 6*16	3	



Separated Parts Of Fr Fork



Sales mark	Ref no	Part no	Description	Reg description	Regd no	F22
	51401	51401-LDB2-E00	SPRING	SPRING	2	
	51404	51404-LDB2-E00	SPRING COLLAR	SPRING COLLAR	2	
	51410	51410-LBA2-E00	FORK PIPE COMP	FORK PIPE COMP	2	
	51412	51412-LBA2-E00	REBOUND SPRING	REBOUND SPRING	2	
	51416	51416-LBA2-E00	GUIDE BUSH	GUIDE BUSH	2	
	51419	51419-LBA2-E00	PLAIN WASHER	PLAIN WASHER	4	
**	51421	51421-LBA2-E00	BOTTOM CASE R	BOTTOM CASE R	1	
	51422	51422-LBA2-E00	OIL LOCK PIECE	OIL LOCK PIECE	2	
	51424	51424-LBA2-E00	SPACER	SPACER	2	
	51425	51425-LBA2-E00	FORK FENDER	FORK FENDER	2	
	51428	51428-LBA2-E00	OIL SEAL STOPPER RING	OIL SEAL STOPPER RING	2	
	51437	51437-LBA2-E00	PISTON RING	PISTON RING	2	
	51470	51470-LBA2-E00	PIPE SEAT COMP	PIPE SEAT COMP	2	
**	51521	51521-LBA2-E00	BOTTOM CASE L	BOTTOM CASE L	1	
	90544	90544-KEC8-900	PACKING	PACKING	2	
	91251	91251-LBA2-E00	OIL SEAL	OIL SEAL	2	
	91254	91254-LBA2-E00	DUST SEAL	DUST SEAL	2	
	94605	94605-LBA2-E00	FORK BOLT	FORK BOLT	2	
	94608	94608-LBA2-E00	O-RING	O-RING	2	
	96600	96600-LBA2-E00	BOCKET BOLT	BOCKET BOLT	2	



Sales mark	Ref no	Part no	Description	Reg description	Regd no	F23
17369		17369-KDB4-671	CLIP BREATHER TUBE	CLIP BREATHER TUBE	2	
18618		18618-KBE2-900	RUBBER AIC CLEANER MOUNT	RUBBER AIC CLEANER MOUNT	1	
18805		18805-KHB4-910	ELEMENT AI. CLEANER	ELEMENT AI. CLEANER	2	
18806		18806-KBE2-900	CASE AIC-AICV	CASE AIC-AICV	1	
18807		18807-KBE2-900	COVER AIR CLEANER	COVER AIR CLEANER	1	
18812		18812-KBE2-900	SEAL AI/C COVER	SEAL AI/C COVER	1	
18814		18814-LDF2-900	DUCT. AI CLEANER	DUCT. AI CLEANER	1	
93903		93903-24320	SCREW TAPPING 4X12	SCREW TAPPING 4X12	2	
95002		95002-KKD6-E05	CLAMP D18 TUBE	CLAMP D18 TUBE	1	
95005		95005-LDF2-E00	TUBE AI/C AISV	TUBE AI/C AISV	1	



● Be sure to wear a safety helmet when riding.
 ● Do not exceed the speed specified by law when riding.
 ● The exhaust muffler temperature is very high after riding. Be sure to park the motorcycle in a place not easily touched by people.
 ● For riding safety and good performance, do not violate the law to modify the motorcycle.
 ● Please read the Owner's Manual carefully to ensure riding safety.

● Make sure to perform the periodic maintenance and periodic inspection.

Periodic Inspection Items

Brake Performance, tires, engine oil level, lights, horn, and instrument panel

KWANG YANG MOTOR CO., LTD.

87560

CAUTIONS

Tire Size	:Front 120/70-15	Rear 150/70-14
(One Rider)	:Front 2.00kgf/cm ²	Rear 2.50kgf/cm ²
(Two Rider)	:Front 2.25kgf/cm ²	Rear 2.50kgf/cm ²
Load Capacity	:Shield 1.5kg	Clip case center 3kg
	(As per KYMCO standard specification)	
	(Note: The tire pressure must not overpass 2.50kgf/cm ²)	

● Check the motor oil level with the dipstick after refilling motor oil.

LMB-850

87505

CAUTION

Mobile phone charge only , Use other appliance may cause damage .

KKC2-E000

87541-KKC2

CAUTIONS

Never put any article between the rear side cover and the engine to avoid interference of riding.

GAR-300

87542

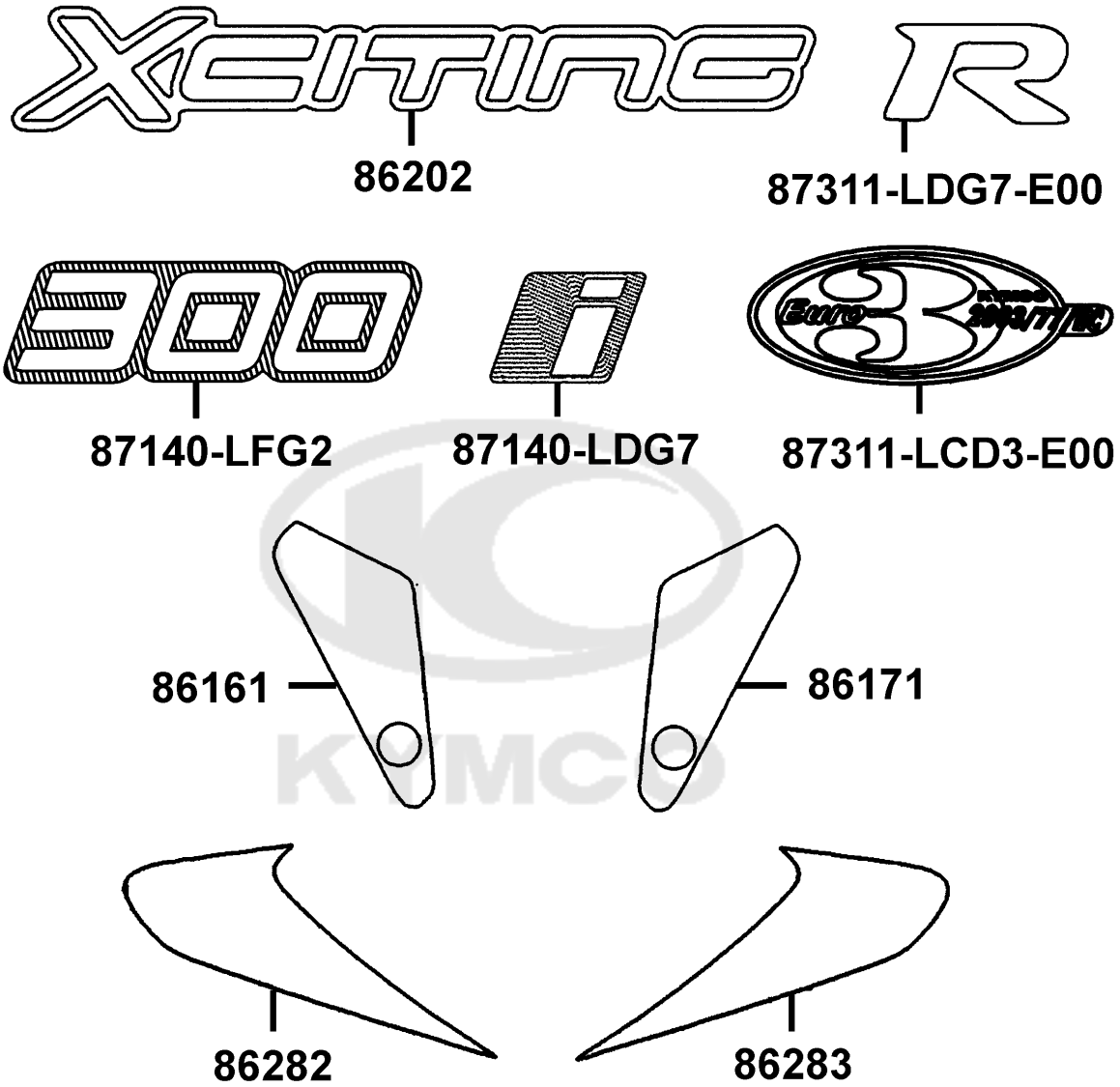
CAUTIONS

Before starting the engine, the side stand shall be kicked up to secure safety.

87541-GAR1

Sales mark	Ref no	Part no	Description	Reg description	Regd no	F24
**	87505	87505-LBA2-E00	LABEL TIRE	LABEL TIRE	1	
**	87541-GAR1	87541-GAR1-E00	CAUTION SIDE STAND	CAUTION SIDE STAND	1	
**	87541-KKC2	87541-KKC2-E00	CAUTION MOBILE PHONE	CAUTION MOBILE PHONE	1	
**	87542	87542-GAR1-E00	MARK MAINT CAUTION	MARK MAINT CAUTION	1	
**	87560	87560-GFY6-E00	MARK DRIVE CAUTION	MARK DRIVE CAUTION	1	



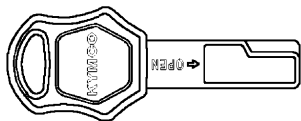


Sales mark	Ref no	Part no	Description	Reg description	Regd no	F25
**	86161	86161-LDG7-E00	STRIPE R FR FENDER	STRIPE R FR FENDER	1	
**	86171	86171-LDG7-E00	STRIPE L FR FENDER	STRIPE L FR FENDER	1	
**	86202	86202-LDG7-E00	EMB BODY COVER	EMB BODY COVER	2	
**	86282	86282-LDG7-E00	STRIPE R FR MOLD	STRIPE R FR MOLD	1	
**	86283	86283-LDG7-E00	STRIPE L FR MOLD	STRIPE L FR MOLD	1	
**	87140-LDG7	87140-LDG7-E00	EMB I MARK	EMB I MARK	2	
**	87140-LFG2	87140-LFG2-E00	EMB MARK 300	EMB MARK 300	2	
**	87311-LCD3-E00	87311-LCD3-E00	STRIPE MARK EURO 3	STRIPE MARK EURO 3	1	
**	87311-LDG7-E00	87311-LDG7-E00	EMB R MARK	EMB R MARK	2	

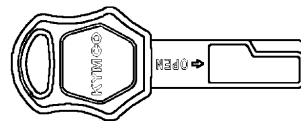


F26

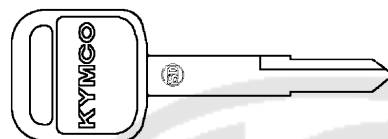
Key



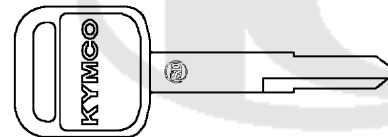
35111-KKC4-335-M1



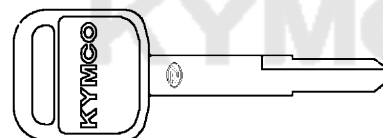
35111-KKC4-335-M2



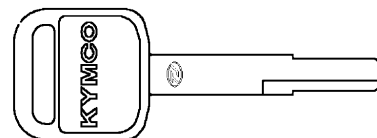
35111-LBA2-305-T01



35111-LBA2-305-T02



35111-LBA2-306-T01



35111-LBA2-306-T02

Sales mark	Ref no	Part no	Description	Reg description	Regd no	F26
	35111-KKC4-335-M1	35111-KKC4-335-M1	KEY COMP/SHUTTER MAGNETIC LOCK	KEY COMP/SHUTTER MAGNETIC LOCK	1	
	35111-KKC4-335-M2	35111-KKC4-335-M2	KEY COMP/SHUTTER MAGNETIC LOCK	KEY COMP/SHUTTER MAGNETIC LOCK	1	
	35111-LBA2-305-T01	35111-LBA2-305-T01	KEY COMP / MAIN SW	KEY COMP / MAIN SW	1	
	35111-LBA2-305-T02	35111-LBA2-305-T02	KEY COMP / MAIN SW	KEY COMP / MAIN SW	1	
	35111-LBA2-306-T01	35111-LBA2-306-T01	KEY COMP / MAIN SW	KEY COMP / MAIN SW	1	
	35111-LBA2-306-T02	35111-LBA2-306-T02	KEY COMP / MAIN SW	KEY COMP / MAIN SW	1	



PART NO. INDEX

PART NO.	VERSION	PAGE	PART NO.	VERSION	PAGE	PART NO.	VERSION	PAGE
			11192-KHE7-980	1	E01	12209-GDB4-68B	0	E02
			11200-LDB2-E01	0	E01	1221A-LDB2-E00	3	E02
			11203-LBA2-E00	2	E01	12251-KHE7-901	1	E02
0901-880-6000	0	E08	11203-LBA2-E00	2	F16	12310-LDB2-E00	3	E02
0901-911-6000	0	E08	11211-KKC4-900	0	F13	12361-LEA5-E00	1	E04
0901-914-6001	0	E08	1122A-LDB2-E00	1	E07	12391-LDB2-E00	1	E02
			11330-LLJ3-E00	4	E04			
			11341-LDF2-900	2	E01	13000		
			11341-LDF2-910	2	E01			
1034-KAE0-7700	0	E08	11341-LLJ3-E01	2	E01	13000-LFG2-E00	6	E03
1090-873-2001	0	E08	11342-LDF2-910	2	E01	13011-LFG2-E0B	3	E03
1190-C74-2000	0	E08	11345-LDB2-E00	1	E01	13101-LFG2-E00	5	E03
1190-C75-2000	0	E08	11346-GFY6-901	0	E01	13111-LDB2-E00	1	E03
1614-868-0000	0	E08	11350-LHG7-E00	2	E01	13406-LDF2-900	3	E02
1614-906-0002	0	E08	11383-LDF2-900	1	E01			
			11394-KHE7-900	1	E04	14000		
			11394-KHE7-980	1	E04			
			11395-LLJ3-E01	0	E01	14100-LFG2-E00	2	E02
						14150-LDB2-E00	2	E02
			12000			14401-LDE9-E00	2	E03
			12100-LDE9-E00	3	E03	14431-LDB2-E00	1	E02
			12191-KHE7-910	2	E03	14450-KEBE-900	0	E02
			12200-LFG2-E00	1	E02	14452-LDB2-E00	1	E02
11100-LDB2-E00	1	E01	12205-KHE8-301	4	E02	14510-LDE9-E00	2	E03
11110-LLJ3-E00	2	E01	12209-GDB4-68A	0	E02	14520-GFY6-90A	1	E03
11192-KHE7-900	0	E01				14523-KED9-900	0	E03

PART NO. INDEX

PART NO.	VERSION	PAGE	PART NO.	VERSION	PAGE	PART NO.	VERSION	PAGE
14531-KHE7-900	1	E03				17527-LBA2-900	0	F19
14610-LDE9-E00	1	E03	17000			17550-LDF2-800	6	F10
14711-LFG2-E00	1	E02				17560-LDF2-900	4	F10
14721-LFG2-E00	1	E02	1711A-LDF2-900	1	E02	17561-LDF2-900	0	F10
14751-KHE7-900	0	E02	17208-GAR1-011	0	F13	17620-LLJ3-E0A	3	F10
14761-KHE7-900	0	E02	17212-LDB2-E00	0	F12	17620-LLJ3-E0B	3	F10
14771-GDB4-680	2	E02	17214-LDB2-E00	1	F13	17623-LAB4-90A	1	F10
14775-MFA6-001	0	E02	1721A-KKC3-900	1	F13	17623-LAB4-90B	1	F10
14781-MFA6-001	0	E02	17231-LFG2-E00	1	F13	17689-KEBE-E00	1	F10
			17236-KFBF-910	1	F13	17910-LDF2-900	5	F03
15000			1723A-LFG2-E00	3	F13	17911-LDF2-900	3	F03
			17241-LDF2-900	0	F13			
15100-KKC3-900	3	E06	17254-KACA-P00	0	F13	18000		
15133-KAM1-001	1	E06	17255-LDB2-E00	3	F13			
15141-KKJ9-004	0	E06	17256-LDB2-E00	1	F13	18291-KEBE-900	0	F14
15421-1G07-001	1	E04	17359-4K19-671	0	F13	18291-LBA7-900	2	F14
15426-GAE1-921	0	E04	17369-KDB4-671	1	F23	18292-KEBE-900	0	F14
15441-1K49-001	0	E03	17370-4K19-701	0	F13	18293-KEBE-900	0	F14
15447-1K49-001	0	E03	17371-1D74-671	0	F13	18294-KEBE-900	0	F14
1565A-KEBE-900	0	E04	17500-LDF2-910	3	F10	18294-LDB2-900	0	F14
15711-KHE7-900	0	E06	17502-LBA2-E00	4	F10	18307-LDB2-E00	0	F14
			17504-LAB4-900	2	F10	1830A-LFG2-E00	4	F14
16000			17507-LAB4-900	2	F10	18310-LFG2-E00	3	F14
			17514-LBA2-E00	1	F10	18318-LBA2-E01	0	F14
1610K-LDF2-E00	0	E08	17515-LBA2-E00	1	F10	18320-LFG2-E00	3	F14
16211-LDF2-900	1	E02	17520-LBA2-E00	3	F10	18321-LDB2-900	0	F14

PART NO. INDEX

PART NO.	VERSION	PAGE	PART NO.	VERSION	PAGE	PART NO.	VERSION	PAGE		
18325-LDB2-900	1	F14	19030-KHD8-900	2	F21	22000				
18371-LDB2-E00	1	F14	19101-LBA2-E00	2	F21					
18391-LDB2-E00	1	F14	19104-LBA2-E00	1	F21					
18601-MAJ1-791	1	E02	19105-LBA2-E00	1	F21		22101-KHE7-900	1	E05	
18612-GFY6-941	0	E02	19111-GBE2-004	1	F21		22102-KHE7-900	3	E05	
18618-KBE2-900	0	F23	19210-KKC4-900	0	F21		22105-LBA7-900	1	E05	
18645-GFY6-941	0	E02	19215-KHE7-900	0	E04		22110-LFG1-E00	2	E05	
18646-GFY6-941	0	E02	19217-6G57-024	0	E04		22112-KHE7-900	1	E05	
18647-LDB2-900	3	E02	19221-KHE7-900	3	E04		22121-LFG2-E00	2	E05	
18660-LDF2-900	2	E02	19229-KHE7-900	1	E04		22131-LBA7-900	1	E05	
18805-KHB4-910	0	F23	19231-KKJ9-011	0	E04		22132-KHE7-900	2	E05	
18806-KBE2-900	1	F23	19300-KAE1-004	1	E02		22300-KHE7-900	4	E05	
18807-KBE2-900	3	F23	19310-LDF2-900	2	E02		22300-LFG2-E0A	2	E05	
18812-KBE2-900	0	F23	19315-LDB2-E00	1	E02	22300-LFG2-E80	2	E05		
18814-LDF2-900	3	F23	19411-KBCB-900	0	F10	22350-KHE7-900	1	E05		
19000			19411-KHC4-900	0	F13	22361-LEA7-E00	1	E05		
			19502-KHE7-900	0	E04	22401-KHE7-900	2	E05		
			19504-LBA2-E00	3	E02	22530-KHE7-900	2	E05		
			19504-LBA2-E00	3	F10	22530-LFG2-E0A	2	E05		
						22530-LFG2-E80	2	E05		
19005-KKC4-900	2	F21				22804-GBB2-001	0	E05		
19010-LDB2-E00	2	F21	21000			23000				
19012-KHD8-900	4	F21								
19013-LDB2-E00	2	F21								
19014-LDB2-E00	1	F21		21200-LDB2-E00	2		E07			
19015-KKC4-900	2	F21		21395-LDF2-900	1		E07			
19016-LBA2-E00	1	F21						2301A-LFG2-E00	4	E05
19020-KED9-900	1	F21						2301A-LFG2-E0A	2	E05

PART NO. INDEX

PART NO.	VERSION	PAGE	PART NO.	VERSION	PAGE	PART NO.	VERSION	PAGE
2301A-LFG2-E80	3	E05				32108-GAR1-711	1	F19
23100-LFG2-E00	0	E05	30000			32410-LDB2-E00	3	E06
23200-KHE7-900	6	E05				32411-LBA2-E00	3	F11
23220-KHE7-900	4	E05	3051A-LDF2-900	6	F19	32412-LDB2-E00	1	E04
23220-LFG2-E00	2	E05	30700-KFC8-E0H	1	F19			
23225-KHE7-900	0	E05				33000		
23226-GHC8-004	0	E05	31000					
23233-KHE7-900	1	E05				33100-LDG7-E03	2	F01
23237-KHE7-900	0	E05	31110-LDF2-90A	2	E06	33120-LDG7-E03	0	F01
23238-KHE7-900	0	E05	31120-LDF2-90A	4	E06	33130-LBA2-E00	1	F01
23411-KHE7-900	4	E07	31205-KKJ9-000	0	E06	33400-LBA2-E00	2	F17
23420-LDB2-E00	3	E07	31210-KHE7-90A	1	E06	33401-LBA2-E00	0	F17
23420-LFG2-E00	1	E07	31340-LBA2-E0A	1	F19	33406-LBA2-E00	0	F17
23431-LDB2-E00	2	E07	31345-LBA2-E00	1	F19	33450-LBA2-E00	2	F17
23432-LDB2-E00	2	E07	31500-KHE7-90A	5	F11	33451-LBA2-E00	0	F17
23432-LFG2-E00	2	E07	31500-KHE7-90B	4	F11	33456-LBA2-E00	0	F17
			31600-KED9-900	4	F19	33607-KKD7-E00	0	F18
28000			31601-LDF2-900	1	F19	33700-LBA2-E00	5	F18
			31602-KKC4-900	0	F19	33702-LBA2-E00	0	F18
28101-KHE7-900	0	E06	3195A-LBA2-E00	1	F19	33705-LBA2-305	0	F18
28102-KHE7-900	0	E06				33708-KHE7-E00	0	F18
28110-LDB2-E00	4	E06	32000			33709-KHE7-E00	0	F18
28120-LDB2-E00	0	E06				33720-LBB5-E00	3	F18
			32100-LFG2-E00	3	F19	33726-LBB5-E00	1	F18
			32102-LBA2-E00	1	F21	33741-KHC5-M00	0	F18
			32105-LLJ3-E00	2	E04	33900-KFBF-900	0	F12

PART NO. INDEX

PART NO.	VERSION	PAGE	PART NO.	VERSION	PAGE	PART NO.	VERSION	PAGE
42601-LDB2-E00	2	F08	44311-KED9-900	5	F07	45129-LBA2-E00	2	F06
42710-LBA2-E0A	4	F08	44312-LBA2-E00	2	F07	45130-KED9-900	0	F07
42710-LBA2-E0B	4	F08	44620-LBA2-E00	3	F07	45131-LDG7-E03	4	F07
42753-KNBN-90B	1	F07	44650-LBA2-305	0	F07	45131-LDH1-E00	0	F08
42753-KNBN-90B	1	F08	44710-LBA2-E0A	3	F07	45132-LDH1-E00	0	F08
			44710-LBA2-E0B	5	F07	45134-KED9-900	0	F07
43000			45000			45136-LBA2-E01	6	F04
43100-LFG2-E01	1	F08				45200-LDG7-E03	3	F07
43105-LDH1-305	0	F08	45100-LFG2-E01	3	F07	45203-KED9-900	0	F07
43109-LBA2-E00	0	F07	45105-LBA2-305	0	F07	45209-KED9-900	0	F08
43109-MCA3-007	0	F08	45105-LBA2-306	0	F07	45209-LBA2-E00	0	F07
43126-LDB2-E00	3	F04	45107-KED9-900	0	F07	45210-LBA2-305	0	F07
43127-LBA2-E01	2	F04	45107-LBA2-E00	0	F07	45210-LDF2-E00	0	F08
43156-KKC4-900	2	F04	45107-LLJ3-E00	0	F08	45352-LBA2-E00	4	F07
43156-LDB2-900	2	F04	45107-LLJ3-E90	0	F07	45513-KKA8-900	0	F04
43351-LDG7-E03	4	F08	45108-KED9-900	0	F07	45513-LEA7-E00	1	F04
43352-KKD6-E90	1	F08	45108-LDH1-E00	0	F08	45517-LBA2-E00	2	F04
43353-4A61-77A	0	F08	45109-KED9-900	0	F07	45520-KKA8-900	0	F04
43353-KED9-900	0	F07	45110-LBA2-305	0	F07	45521-LEA7-E00	1	F04
4335A-LBA2-E01	2	F07	45125-LBA2-E00	3	F06	45530-LBA2-308	0	F04
43530-KKE5-305	1	F04	45126-LBA2-E01	4	F04	45531-GAR1-951	0	F08
			45128-LBA2-900	2	F06	45531-KED9-900	0	F07
44000			45128-LBA2-920	1	F06	48000		
			45128-LBA2-E00	1	F06			
44301-LBA2-E00	5	F07	45129-LBA2-900	1	F06	48200-LBA2-E01	1	F04

PART NO. INDEX

PART NO.	VERSION	PAGE	PART NO.	VERSION	PAGE	PART NO.	VERSION	PAGE	
50000			5050A-LDB2-E00	5	F15	51428-LBA2-E00	0	F22	
			50530-LDB2-E00	3	F15	51430-LDH1-E00	0	F08	
			50550-KKC2-E00	0	F15	51437-LBA2-E00	0	F22	
	50100-LDF2-900	9	F20	50611-LDF2-900	2	F10	51470-LBA2-E00	0	F22
	50153-LDF2-900	2	F19	50612-LDF2-900	2	F10	51500-LDB2-E00	4	F06
	50154-LBA2-E00	3	F20	50701-LBA2-E00	1	F20	51521-LBA2-E00	0	F22
	50154-LDF2-900	1	F19	50713-KEB7-900	0	F20			
	50306-1F96-001	0	F06	50715-KEB7-900	0	F20	52000		
	50326-LBA2-E00	2	F11	5071A-LFG2-E00	1	F20			
	50328-LBA2-E00	2	F11	5071B-LFG2-E00	1	F20	52000-LDB2-E00	5	F16
	5032A-LDB2-E00	1	F11	50720-LBA2-E00	1	F20	52400-LDB2-E00	3	F16
	50330-LBA2-E00	1	F11	50730-LBA2-E00	1	F20			
	50330-LDB2-E00	1	F11				53000		
	50350-LDB2-E00	4	F20	51000					
	50352-LBA2-E00	1	F20				53100-LBA2-E00	7	F03
	50353-GBG2-711	1	F20	51400-LDB2-E00	4	F06	53102-LEA5-E00	3	F03
	50353-KGN7-901	0	F20	51401-LDB2-E00	0	F22	53105-LEA5-E00	3	F03
	50356-KHE7-E00	0	F20	51404-LDB2-E00	0	F22	53131-3H98-941	0	F03
	50360-LDB2-E00	2	F20	51410-LBA2-E00	0	F22	53140-KKC4-900	0	F03
	50364-KHE7-E00	0	F20	51412-LBA2-E00	0	F22	53166-KGB5-900	0	F03
50502-GFY6-901	3	F15	51416-LBA2-E00	0	F22	53175-KKE5-E00	0	F04	
50504-LDB2-E00	1	E01	51419-LBA2-E00	0	F22	53178-KKE5-E00	0	F04	
50505-KUDU-900	1	F15	51421-LBA2-E00	0	F22	53182-LDB2-E00	2	F05	
50505-LAD9-900	3	F15	51422-LBA2-E00	0	F22	53200-LBA2-E00	7	F06	
50505-LEA7-E00	1	F15	51424-LBA2-E00	0	F22	53203-LBA2-E00	3	F03	
50506-KHE7-E00	0	F15	51425-LBA2-E00	0	F22	53204-LBA2-E00	3	F03	

PART NO. INDEX

PART NO.	VERSION	PAGE	PART NO.	VERSION	PAGE	PART NO.	VERSION	PAGE
53205-LBA2-E02	1	F03	64304-LBA2-E00	2	F05	77232-GLW0-316-M2	0	F19
53206-LBA2-E00	1	F03	64305-LBA2-E00	2	F05	77235-KGC4-E0A	2	F19
53208-LBA2-E00	3	F03	64306-LBA2-E00	2	F05	77235-KGC4-E0B	2	F19
53213-LBA2-E00	2	F06	64310-LBA2-E00	4	F05	77235-KKC4-80A	0	F19
53214-LBA2-E00	2	F06	64311-LBA2-E00	1	F05	77235-KKC4-80B	0	F19
53220-LBA2-E00	2	F06	64315-LDG7-800	0	F20	77240-LBA2-E00	2	F19
53230-LBA2-E00	8	F06	64320-LBA2-E00	2	F05	77300-LBA2-E00	1	F09
53240-LBA2-E00	2	F06	64330-LBA2-E00	2	F05	77303-LLJ3-E00	2	F09
53250-LBA2-E00	2	F06	64400-LBA2-E00	2	F05	77305-LDG7-E00	0	F09
61000			70000			77400-LBA2-E00	2	F09
61100-LBA2-305	4	F05	70529-6G57-671	0	F05	77500-LBA2-E00	1	F09
64000			75000			77501-LBA2-E00	1	F09
64206-MLJ0-001	1	F12	75581-6C73-001	0	F05	80000		
64220-LDG7-E00	1	F03				80101-LBA2-E00	1	F18
64222-KKC4-900	3	F03	77000			80104-LDB2-E00	0	F12
64222-LLJ3-E00	1	F05				80105-LBA2-E00	1	F18
64231-LBA2-E00	1	F03	77105-GFS6-001	1	F12	80107-LBA2-E00	1	F18
64232-LBA2-E00	1	F03	77106-GFS6-001	1	F12	80151-LBA2-E00	1	F05
6423A-LBA2-E00	1	F03	77200-LDG7-E00	1	F09	81000		
64250-LBA2-E00	2	F03	77206-KEB7-900	0	F09	81131-LBA2-E01	2	F05
64302-LBA2-305	0	F05	77220-LDG7-E00	0	F09	81133-LBA2-E00	1	F05
64303-LBA2-E00	2	F05	77232-GLW0-316-M1	0	F19	81134-KGBG-900	2	F05

PART NO. INDEX

PART NO.	VERSION	PAGE	PART NO.	VERSION	PAGE	PART NO.	VERSION	PAGE
81135-KGBG-900	2	F05				88120-LBA2-E02	2	F03
81142-LBA2-E00	1	F05	86000					
81146-LBA2-E00	2	F05				89000		
8114A-LBA2-E00	1	F05	86161-LDG7-E00	1	F25			
81200-LBA2-E00	2	F12	86171-LDG7-E00	1	F25	89010-LDB2-E00	2	F09
81201-LBA2-E00	1	F12	86202-LDG7-E00	2	F25	89020-KKC4-900	1	F09
81252-LDB2-E00	2	F12	86282-LDG7-E00	1	F25			
81254-LDB2-E00	2	F12	86283-LDG7-E00	1	F25	90000		
81255-LDB2-E00	2	F12						
81256-LDB2-E00	2	F12	87000			90001-GBHB-661	2	E03
81257-LDB2-E00	1	F12				90001-GBHB-661	2	E06
81258-LDB2-E00	1	F12	87140-LDG7-E00	2	F25	90005-KEC8-900	3	E03
81259-LDB2-E00	1	F12	87140-LFG2-E00	2	F25	9000A-KTDT-900	1	E01
81260-LDB2-E00	5	F12	87206-LBA2-E00	2	F03	90012-3C33-001	1	E02
81261-LDB2-E00	1	F12	87311-LCD3-E00	1	F25	90031-KEBE-900	0	E01
81262-LDB2-E00	1	F12	87311-LDG7-E00	3	F25	90031-KKA7-900	0	E01
			87505-LBA2-E00	1	F24	90071-MLB0-001	0	E06
83000			87508-KKC4-E00	1	F03	90084-LEA5-001	1	E04
			87541-GAR1-E00	1	F24	9008A-KHE7-900	0	E04
83500-LBA2-E00	3	F12	87541-KKC2-E00	1	F24	90101-KNBN-200	3	F20
83520-LBA2-E00	2	F12	87542-GAR1-E00	2	F24	90105-KCR3-001	1	F07
83550-KEC8-900	0	F05	87560-GFY6-E00	3	F24	90105-KCR3-001	1	F08
83551-KEC8-900	0	F05				90105-KHB4-900	0	F03
83600-LBA2-E00	3	F12	88000			90105-KHB4-900	0	F12
83620-LBA2-E00	2	F12				90105-LLJ3-E00	3	F03
83750-LBA2-E00	2	F12	88110-LBA2-E02	2	F03	90106-KFA6-900	0	F12

PART NO. INDEX

PART NO.	VERSION	PAGE	PART NO.	VERSION	PAGE	PART NO.	VERSION	PAGE
90106-KFC2-900	0	F03	90215-KKC4-900	1	F12	90474-3C33-001	1	E01
90106-KHE7-E00	0	F20	90301-6D34-671	1	F03	90478-7L00-001	0	E02
90107-LEA7-E00	3	F05	90301-6D34-671	1	F10	90478-7L00-001	0	E04
90108-KKC4-900	1	F15	90301-6D34-671	1	F21	90503-0A51-870	0	F06
90110-KEBE-900	0	F14	90301-GFY6-901	2	F14	90503-KKE5-E00	1	F06
90111-KED9-900	0	F03	90302-GFY6-940	1	F18	90503-LBA2-E00	2	F06
90111-KED9-900	0	F05	90302-KFC2-900	1	F19	9052A-LEB1-900	1	E01
90111-KED9-900	0	F12	90302-SDA4-004	2	F03	90544-KEC8-900	0	F22
90112-KNBN-901	1	F11	90302-SDA4-004	2	F05	90545-3L00-001	2	F04
90113-KKA8-900	0	F04	90302-SDA4-004	2	F12	90605-1F66-721	0	E05
90114-GDM4-011	2	F13	90304-4H38-001	2	E02	90652-GFY6-901	1	E02
90114-KED9-900	3	F20	90304-GHE8-004-SY	0	F20	90652-KHE7-900	0	F13
90114-LBA2-E00	1	F12	90304-KKE5-E00	1	F06	90656-KCBC-900	0	F19
90122-LBA2-E00	1	F07	90304-LBD4-900	2	F20	90656-KUDU-900	0	F19
90131-LDB2-E00	2	F08	90305-GHK8-001	1	F05	90660-KNBN-921	0	F10
90131-LFG2-E00	1	F16	90305-GHK8-001	1	F12	90677-GAR1-004	1	F03
90145-LBA2-E00	2	F04	90305-KKAK-900	0	F08	90677-GAR1-004	1	F12
90145-MKS9-61A	1	F04	90305-LBA2-E00	1	F05	90677-GAR1-004	1	F18
90164-KGBG-900	1	F05	90312-GLF0-001	0	F03	90683-GAR1-004	4	F05
90201-KHE7-900	1	E05	90312-LLJ3-E01	0	F05	90912-LBA2-E00	8	F21
90201-KHR8-75A	1	E05	90401-KKJ9-001	0	E05	90913-LDB2-E00	1	F21
90201-KHR8-75A	1	E06	90401-KKJ9-001	0	E06			
90201-LBA2-E00	1	F06	90423-KKJ9-001	0	E04	91000		
90202-1G87-001	0	E05	90441-GFY6-941	0	E05			
90206-0A01-001	2	E02	90441-KKC4-800	0	E07	91001-KHE7-900	0	E03
90215-KKC4-900	1	F09	90465-MDC4-001	0	E02	91001-KHE7-90A	0	E03

PART NO. INDEX

PART NO.	VERSION	PAGE	PART NO.	VERSION	PAGE	PART NO.	VERSION	PAGE
91001-KKJ9-006	0	E04	91351-KHE7-900	0	E05	93500-05025-1B	0	F03
91002-GGA7-70A	0	E05	91407-SGA7-004	0	F13	93500-05032-1B	0	F03
91003-KHE7-900	0	E01				93500-05045-1B	0	F03
91004-KHE7-900	1	E05	92000			93500-KHC4-90A	0	F19
91009-KHE7-900	0	E07				93600-04012-1A	0	F04
91201-KKJ9-004	0	E04	92101-05008-0A	0	E01	93891-05016-00	0	F13
91202-KHE7-900	0	E01	92101-05012-0A	0	F07	93891-05016-06	0	F05
91202-KKC4-900	0	E01	92101-05032-0H	0	E06	93891-05016-06	0	F11
91202-KKC4-90B	1	E01	92712-06028-0B	2	E02	93891-06010-07	0	F12
91202-LHG7-E00	1	E01	92900-06050-0B	0	E02	93892-04008-18	0	E08
91211-KHE7-900	0	E05	92900-08046-0B	0	E02	93893-04012-18	0	F04
91251-LBA2-E00	0	F22				93894-04022-08	1	F19
91254-LBA2-E00	0	F22	93000			93901-32320	0	F18
91255-KHE7-900	0	E07				93901-34320	0	F18
91255-KHE7-900	0	F16	93401-LDB2-900	0	F14	93901-44320	0	F18
91257-KED9-900	2	F07	93404-06016-06	0	F05	93903-24320	0	F23
91301-KHE7-900	0	E02	93404-06016-06	0	F12	93903-34360	0	F05
91301-LDF2-800	1	E02	93404-06016-06	0	F15	93903-34360	0	F12
91302-0A01-021	0	E04	93404-06016-06	0	F18	93903-34360	0	F17
91302-KHE7-900	0	E04	93404-06020-06	1	F03	93903-34360	0	F18
91302-LDB2-E00	1	E02	93500-03010-1A	0	E06	93903-35260	0	F10
91302-LDF2-800	2	E02	93500-04008-0G	0	F10	93903-35320	0	F01
91303-3G77-001	0	E04	93500-04020-0G	0	F10	93903-35320	0	F02
91306-1E05-691	0	E03	93500-05016-0H	0	E02	93903-35320	0	F03
91307-0E35-001	0	E04	93500-05016-0H	0	E06	93903-35360	0	F18
91309-4E25-004	0	E06	93500-05016-1B	0	F03	93903-GFY6-900	1	F03

PART NO. INDEX

PART NO.	VERSION	PAGE	PART NO.	VERSION	PAGE	PART NO.	VERSION	PAGE
93903-GFY6-900	1	F05	94102-LBA2-E00	1	F20	94608-LBA2-E00	0	F22
93903-GFY6-900	1	F12	94111-05800	0	E06			
93903-GFY6-900	1	F18	94111-06800	0	E01	95000		
93903-KEB7-900-06	1	F03	94201-16150	0	F20			
			94251-08400	0	F15	95001-35600-40	0	F21
94000			94301-08140	0	E04	95002-02070	0	F21
			94301-10160	0	E01	95002-02080	0	E07
94050-05080	0	F18	94301-10160	0	E02	95002-02100	0	F21
94050-06060	0	F04	94301-10160	0	E03	95002-02130	0	F10
94050-06080	0	E02	94301-10160	0	E04	95002-02130	0	F13
94050-06080	0	F04	94301-10160	0	E07	95002-02150	0	F13
94050-06080	0	F09	94303-04065	0	E06	95002-70000	0	F21
94050-06080	0	F10	94401-25140	4	E03	95002-KED9-900	2	F21
94050-06080	0	F11	94510-10000	0	E06	95002-KGN7-910	1	F21
94050-06080	0	F18	94510-25000	0	E07	95002-KHE7-900	0	E04
94050-06080	0	F19	94520-26000	0	E04	95002-KHE7-900	0	F21
94050-06080	0	F20	94520-28000	0	E05	95002-KKD6-E05	0	E02
94050-06080	0	F21	94520-47000	0	F16	95002-KKD6-E05	0	F23
94050-08080	0	E02	94591-27000	0	F12	95003-23024-60	0	F13
94050-08080	0	F09	94591-27000	0	F17	95005-LDF2-E00	1	F23
94050-08080	0	F19	94591-KFBF-900	2	E02	95014-72204	0	F15
94101-06000	0	F20	94591-KFBF-900	2	E04	95701-06008-06	1	F06
94101-06700	0	F14	94591-KFBF-900	2	F10	95701-06010-08	1	E02
94101-06800	0	F09	94601-17000	0	E03	95701-06012-00	0	F06
94101-08700	0	F15	94601-33000	0	E05	95701-06012-08	0	E02
94101-LBA2-E00	1	F20	94605-LBA2-E00	0	F22	95701-06012-08	0	F20

PART NO. INDEX

PART NO.	VERSION	PAGE	PART NO.	VERSION	PAGE	PART NO.	VERSION	PAGE
95701-06016-06	1	F21	96001-06012-08	0	F04	96600-08035-06	0	F06
95701-06022-06	1	F14	96001-06012-08	0	F06	96600-LBA2-E00	0	F22
95701-06025-00	0	E02	96001-06014-08	0	F19			
95701-06025-08	0	E02	96001-06016-08	0	E01	98000		
95701-06028-08	0	E02	96001-06018-02	0	E04			
95701-06040-08	0	E02	96001-06018-08	0	E02	98069-5691R-00	0	E02
95701-06050-00	0	F06	96001-06020-06	0	F19	98200-31000	1	F11
95701-08012-08	0	E01	96001-06022-08	0	E04	98200-31000	1	F19
95701-08012-08	0	F20	96001-06028-06	0	F04	98200-31500	0	F11
95701-08030-08	0	E07	96001-06028-08	0	E04	98200-31500	0	F19
95701-08035-06	1	F03	96001-06028-08	0	E06	98200-33000	0	F11
95701-08035-08	0	E07	96001-06045-08	0	E04	98200-33000	0	F19
95701-08045-08	0	F20	96001-06050-08	0	E01	98200-KKC4-900	0	F19
95701-KHC5-E00	3	F19	96001-06110-08	0	E02			
95701-LDF2-800	2	F10	96001-06125-08	0	E04	W		
95801-08040-08	0	F06	96001-06130-08	0	E04			
95801-10025-08	0	F15	96100-60000-00	0	E04	W1792-048-9901	0	E08
95801-10040-02	0	F16	96100-63020-00	0	E01	W1793-118-9900	0	E08
95801-10045-06	2	F14	96100-63020-00	0	E07			
95801-10057-06	2	F14	96100-63040-00	1	E01			
			96150-60040-10	0	F07			
96000			96150-62040-10	0	F16			
			96211-08000	0	F20			
96001-06008-07	0	F14	96220-20118	0	E03			
96001-06010-00	0	E04	96600-08015-10	1	E06			
96001-06012-08	0	E06	96600-08025-06	0	F06			