

# PARTS CATALOGUE



## SCOOTERS

KF10CA(MK)

SUPER 8(2013)



Release Date : 1899/12/31  
Print Date : 2013/10/15

## ABOUT THIS PARTS LIST

- This parts list is compiled all service parts for model KF10CA(MK).
- Any difference between color chart and motorcycle will be revised according to motorcycle.
- The Mark:
  1. Marking "\*\*\*" must add color code in the end before ordering parts.
  2. Marking "#" are parts with modification, Please find the details from e-Parts system.
- When modification or additions to this parts list are made a revised edition at an appropriate time.



# CONTENTS

● ABOUT THIS PARTS LIST .....	1
● COLOR CHART OF KF10CA(MK) .....	3
● CONTENTS-ENGINE GROUP .....	9
● CONTENTS-FRAME GROUP .....	11
● ENGINE PARTS LIST .....	14
● FRAME PARTS LIST .....	42
● PART NO. INDEX .....	98

NO	MODEL			COLOR CHART OF KF10CA(MK)			
	PHOTO NO			NO. 1	NO. 2	NO. 3	NO. 4
	BASIC COLOR			Orange		Bright Blue	Pearly White
	CODE			Orange		Bright Blue	Pearly White
	PARTS NAME	PARTS NO.	VERSION	MR068PA	PB107CA	PB107CA	NH193PA
1	COVER FR HANDLE	53207-ALG1-E10	0	41P	BAP	NVP	
2	FENDER FR	61100-LEJ2-E10	0				
3	COVER FR	64301-ALG1-E10	0				
4	COVER A R SIDE FR	64312-ALG1-E10	0				
5	COVER A L SIDE FR	64313-ALG1-E10	0				
6	COVER R SIDE B	83520-LEJ2-E10	0				
7	COVER L SIDE B	83620-LEJ2-E10	0				
8	LEVER R STRG HNDL	53175-LDC8-E10	1	M3A			
9	LEVER STEERING	53178-LCD1-C00	3	N1A			
10	CARRIER RR	81200-LEJ3-E10	0	N1P			
11	MOLE R SIDE	64302-ALG1-E10	0				
12	MOLDING L SIDE	64303-ALG1-E10	0				
13	SKIRT R SIDE	64305-LEJ2-E10	0				
14	SKIRT L SIDE	64306-LEJ2-E10	0				
15	COVER BATTERY	50326-LEJ2-E10	0				
16	COVER UNDER	50613-LEJ2-E10	0				
17	COVER HANDLE RR	53206-LEJ2-E10	0	N1R			
18	FENDER INNER A FR	61111-ALG1-E10	0				
19	GRILL FR COVER	64304-ALG1-E10	0				
20	FLOOR PANEL	64310-LEJ2-E10	0				
21	COWL UNDER	64400-ALG1-E10	0				
22	FENDER RR TIRE	80100-LHB3-E10	0				
23	FENDER RR INNER	80101-LEJ2-E10	0				
24	FENDER REAR	80105-LEJ2-E10	0				
25	FENDER RR LOW	80106-LEJ2-E10	1				
DATE OF STARTING-SALES							
DATE OF END-SALES							

NO	MODEL			COLOR CHART OF KF10CA(MK)			
	PHOTO NO			NO. 5	NO. 6	NO. 7	
	BASIC COLOR				Bright Red		
	CODE				Bright Red		
	PARTS NAME	PARTS NO.	VERSION	NH193PA	RR136PA	RR136PA	
1	COVER FR HANDLE	53207-ALG1-E10	0	NVP	R9P		
2	FENDER FR	61100-LEJ2-E10	0				
3	COVER FR	64301-ALG1-E10	0				
4	COVER A R SIDE FR	64312-ALG1-E10	0				
5	COVER A L SIDE FR	64313-ALG1-E10	0				
6	COVER R SIDE B	83520-LEJ2-E10	0				
7	COVER L SIDE B	83620-LEJ2-E10	0				
8	LEVER R STRG HNDL	53175-LDC8-E10	1	M3A			
9	LEVER STEERING	53178-LCD1-C00	3	N1A			
10	CARRIER RR	81200-LEJ3-E10	0	N1P			
11	MOLE R SIDE	64302-ALG1-E10	0	N1R			
12	MOLDING L SIDE	64303-ALG1-E10	0				
13	SKIRT R SIDE	64305-LEJ2-E10	0				
14	SKIRT L SIDE	64306-LEJ2-E10	0				
15	COVER BATTERY	50326-LEJ2-E10	0				
16	COVER UNDER	50613-LEJ2-E10	0				
17	COVER HANDLE RR	53206-LEJ2-E10	0				
18	FENDER INNER A FR	61111-ALG1-E10	0				
19	GRILL FR COVER	64304-ALG1-E10	0				
20	FLOOR PANEL	64310-LEJ2-E10	0				
21	COWL UNDER	64400-ALG1-E10	0				
22	FENDER RR TIRE	80100-LHB3-E10	0				
23	FENDER RR INNER	80101-LEJ2-E10	0				
24	FENDER REAR	80105-LEJ2-E10	0				
25	FENDER RR LOW	80106-LEJ2-E10	1				
DATE OF STARTING-SALES							
DATE OF END-SALES							

NO	MODEL			COLOR CHART OF KF10CA(MK)							
	PHOTO NO			NO. 1	NO. 2	NO. 3	NO. 4				
	BASIC COLOR			Orange		Bright Blue	Pearly White				
	CODE			Orange		Bright Blue	Pearly White				
	PARTS NAME	PARTS NO.	VERSION	MR068PA	PB107CA	PB107CA	NH193PA				
26	COVER CENTER	80151-LEJ2-E10	0	N1R							
27	LEG SHIELD	81131-ALG1-E10	0								
28	LID LEG SHIELD	81132-ALG1-E10	0								
29	LID LEG SHIELD	81132-LCB9-C10	1								
30	LUGGAGE BOX	81250-LHB3-E10	0								
31	COVER R SIDE A	83510-LEJ2-E10	0								
32	COVER L SIDE A	83610-LEJ2-E10	0								
33	CUSHION ASSY REAR	52400-LHB3-E10	0					N1S			
34	COVER L SIDE	11341-KFA6-900	0					NEA			
35	"WHEEL CAST,RR"	42601-LEJ2-E10	0								
36	WHEEL CAST FR	44601-LEJ3-E10	0								
37	"STEP R,RR STEP"	50711-LEJ2-E10	2								
38	STAY L RR STEP	50712-LEJ3-E10	1								
39	FORK ASSY RH FR	51400-LEJ2-E10	2								
40	BOTTOM CASE R	51420-LEJ2-E10	0								
41	FORK ASSY LH FR	51500-LEJ2-E10	2								
42	BOTTOM CASE LH	51520-LEJ2-E10	0								
43	COVER HANDLE FR	53205-ALG1-E10	5	NVP							
44	COVER R SIDE MOLD	64307-ALG1-E10	0								
45	COVER L SIDE MOLD	64308-ALG1-E10	0								
46	COVER R BODY	83500-LEJ2-E10	0								
47	COVER L BODY	83600-LEJ2-E10	0								
48	COVER RR CENTER	83750-LEJ2-E10	0								
49	SEAT ASSY	77200-LEJ2-E10	0	T01							
50	EMB MARK K-LOGO	86102-ALG1-E00	0								
DATE OF STARTING-SALES											
DATE OF END-SALES											

NO	MODEL			COLOR CHART OF KF10CA(MK)							
	PHOTO NO			NO. 5	NO. 6	NO. 7					
	BASIC COLOR				Bright Red						
	CODE				Bright Red						
	PARTS NAME	PARTS NO.	VERSION	NH193PA	RR136PA	RR136PA					
26	COVER CENTER	80151-LEJ2-E10	0	N1R							
27	LEG SHIELD	81131-ALG1-E10	0								
28	LID LEG SHIELD	81132-ALG1-E10	0								
29	LID LEG SHIELD	81132-LCB9-C10	1								
30	LUGGAGE BOX	81250-LHB3-E10	0								
31	COVER R SIDE A	83510-LEJ2-E10	0								
32	COVER L SIDE A	83610-LEJ2-E10	0								
33	CUSHION ASSY REAR	52400-LHB3-E10	0					N1S			
34	COVER L SIDE	11341-KFA6-900	0					NEA			
35	"WHEEL CAST,RR"	42601-LEJ2-E10	0								
36	WHEEL CAST FR	44601-LEJ3-E10	0								
37	"STEP R,RR STEP"	50711-LEJ2-E10	2								
38	STAY L RR STEP	50712-LEJ3-E10	1								
39	FORK ASSY RH FR	51400-LEJ2-E10	2								
40	BOTTOM CASE R	51420-LEJ2-E10	0								
41	FORK ASSY LH FR	51500-LEJ2-E10	2								
42	BOTTOM CASE LH	51520-LEJ2-E10	0								
43	COVER HANDLE FR	53205-ALG1-E10	5	N1P							
44	COVER R SIDE MOLD	64307-ALG1-E10	0								
45	COVER L SIDE MOLD	64308-ALG1-E10	0					NVP			
46	COVER R BODY	83500-LEJ2-E10	0								
47	COVER L BODY	83600-LEJ2-E10	0								
48	COVER RR CENTER	83750-LEJ2-E10	0								
49	SEAT ASSY	77200-LEJ2-E10	0	T01							
50	EMB MARK K-LOGO	86102-ALG1-E00	0								
DATE OF STARTING-SALES											
DATE OF END-SALES											

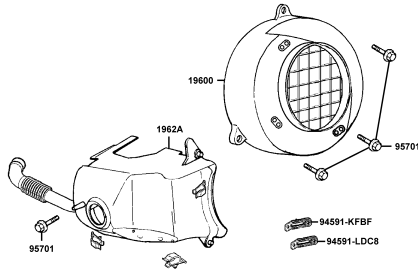
NO	MODEL			COLOR CHART OF KF10CA(MK)			
	PHOTO NO			NO. 1	NO. 2	NO. 3	NO. 4
	BASIC COLOR			Orange		Bright Blue	Pearly White
	CODE			Orange		Bright Blue	Pearly White
	PARTS NAME	PARTS NO.	VERSION	MR068PA	PB107CA	PB107CA	NH193PA
51	CAUTION ANTI	87224-LEJ3-EZ0	0	T01			
52	LABLE TIRE	87505-LEJ2-E01	1				
53	MARK MAINT CAUTION	87541-GAR1-C01	1				
54	LABEL OIL CAP	87541-KUDU-E00	1				
55	MARK MAINT CAUTION	87542-GAR1-C01	2				
56	STRIPE MARK KYMCO	87556-LHB3-E00	0				
57	MARK DRIVE CAUTION	87560-GFY6-E11	3				
58	STRIPE MARK 50-2T	87140-LHB3-E00	0	T01		T03	
59	STRIPE R FR COVER	86121-ALG1-E10	0	T03			
60	STRIPE L FR COVER	86131-ALG1-E10	0				
61	STRIPE R BODY COVER	86221-ALG1-E10	0				
62	STRIPE L BODY COVER	86231-ALG1-E10	0				
63	STRIPE B R BODY	86241-ALG1-E10	0				
64	STRIPE B L BODY	86251-ALG1-E10	0				
65	STRIPE R FR MOLD	86282-ALG1-E10	0				
66	STRIPE L FR MOLD	86283-ALG1-E10	0				
67	STRIPE B R FR MOLD	86284-ALG1-E10	0				
68	STRIPE B L FR MOLD	86286-ALG1-E10	0				
69	STRIPE R FR FENDER	86523-ALG1-E10	0				
70	STRIPE L FR FENDER	86533-ALG1-E10	0				
DATE OF STARTING-SALES							
DATE OF END-SALES							



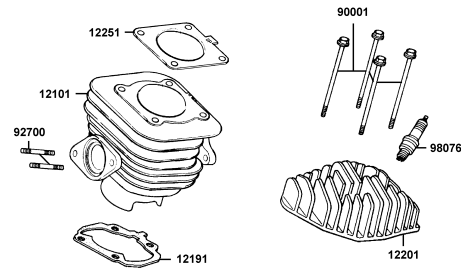
NO	MODEL			COLOR CHART OF KF10CA(MK)			
	PHOTO NO			NO. 5	NO. 6	NO. 7	
	BASIC COLOR				Bright Red		
	CODE				Bright Red		
	PARTS NAME	PARTS NO.	VERSION	NH193PA	RR136PA	RR136PA	
51	CAUTION ANTI	87224-LEJ3-EZ0	0	T01			
52	LABLE TIRE	87505-LEJ2-E01	1				
53	MARK MAINT CAUTION	87541-GAR1-C01	1				
54	LABEL OIL CAP	87541-KUDU-E00	1				
55	MARK MAINT CAUTION	87542-GAR1-C01	2				
56	STRIPE MARK KYMCO	87556-LHB3-E00	0				
57	MARK DRIVE CAUTION	87560-GFY6-E11	3				
58	STRIPE MARK 50-2T	87140-LHB3-E00	0	T03	T01		
59	STRIPE R FR COVER	86121-ALG1-E10	0	T01			
60	STRIPE L FR COVER	86131-ALG1-E10	0				
61	STRIPE R BODY COVER	86221-ALG1-E10	0				
62	STRIPE L BODY COVER	86231-ALG1-E10	0				
63	STRIPE B R BODY	86241-ALG1-E10	0				
64	STRIPE B L BODY	86251-ALG1-E10	0				
65	STRIPE R FR MOLD	86282-ALG1-E10	0				
66	STRIPE L FR MOLD	86283-ALG1-E10	0				
67	STRIPE B R FR MOLD	86284-ALG1-E10	0				
68	STRIPE B L FR MOLD	86286-ALG1-E10	0				
69	STRIPE R FR FENDER	86523-ALG1-E10	0				
70	STRIPE L FR FENDER	86533-ALG1-E10	0				
DATE OF STARTING-SALES							
DATE OF END-SALES							

# CONTENTS - ENGINE GROUP

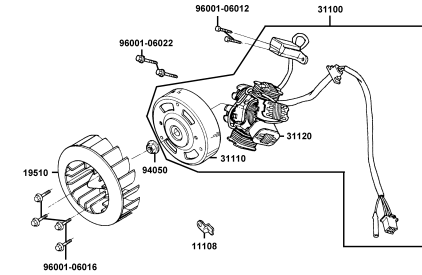
**E01 COVER COMP FAN**



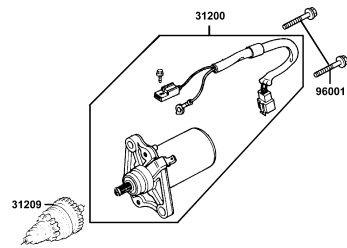
**E02 Cylinder Head**



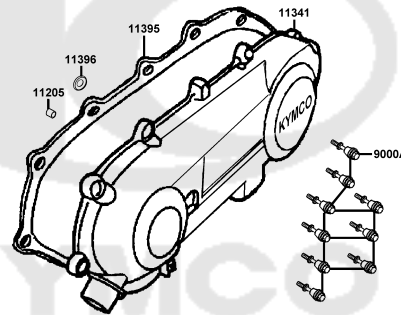
**E03 Fan Cover Generator**



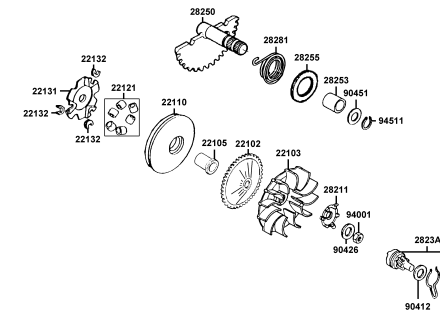
**E04 MOTOR ASSY START**



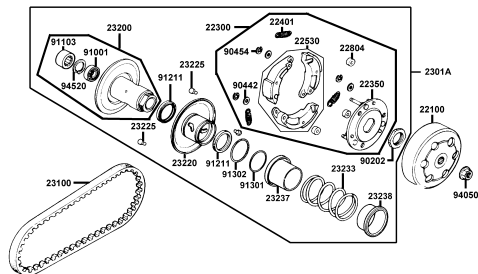
**E05 Left Crankcase Cover**



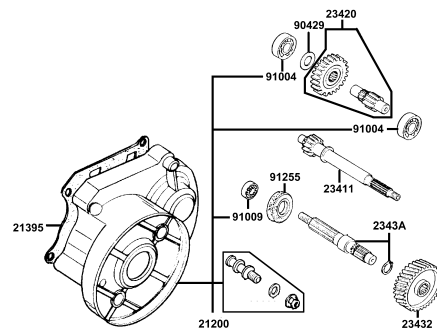
**E06 Ratchet Kick Starer**



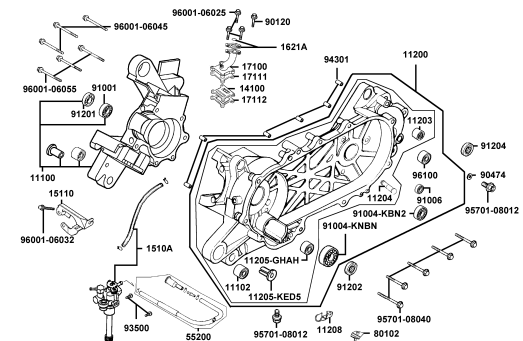
**E07 Pulley Sub Assy**



**E08 Transmission**

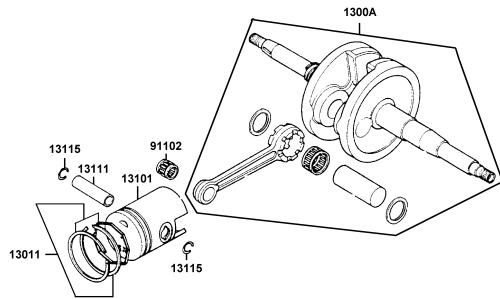


**E09 Crankcase**

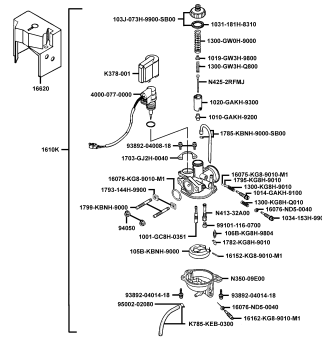


## CONTENTS - ENGINE GROUP

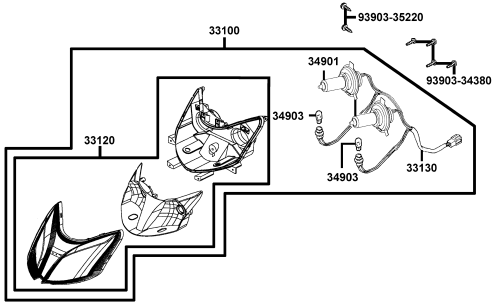
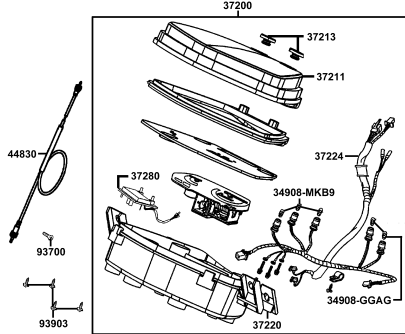
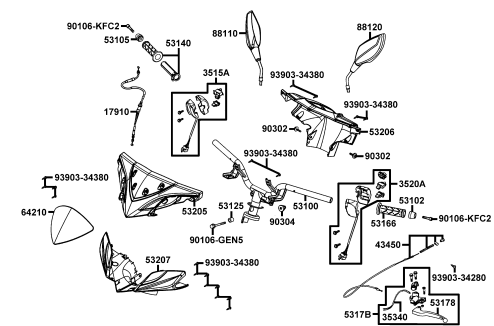
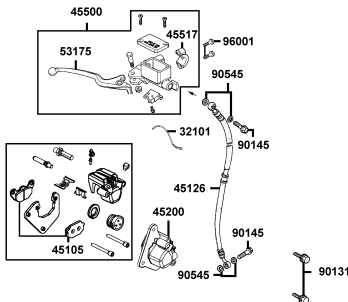
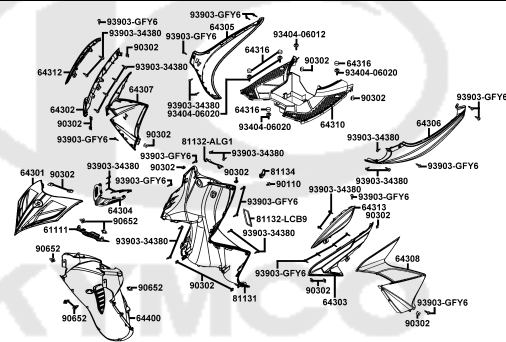
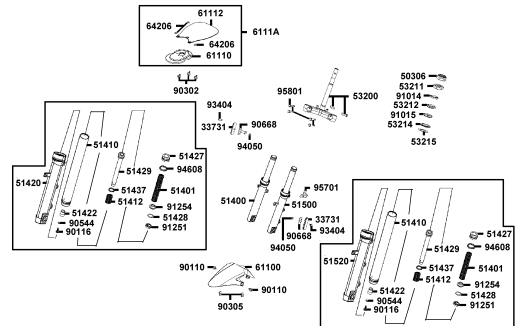
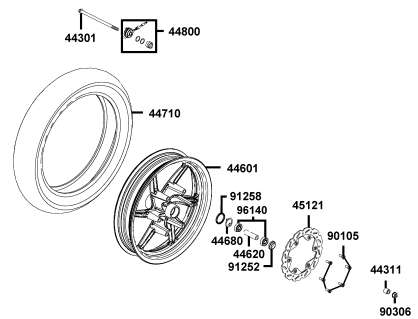
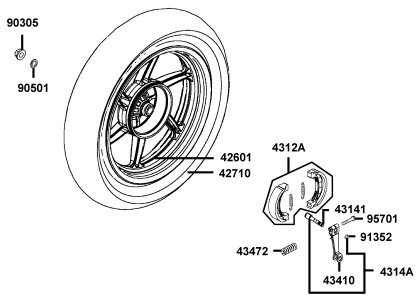
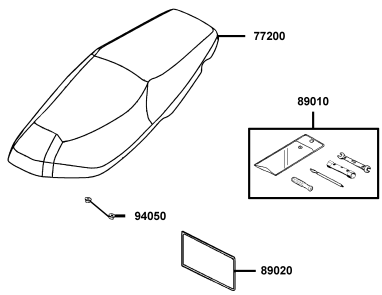
**E10** Crankshaft PistonRing Assy



**E11** Carburetor



# CONTENTS - FRAME GROUP

<p><b>F01</b>    Head Light</p> 	<p><b>F02</b>    Speedometer</p> 	<p><b>F03</b>    Handle Steering Handle Cover</p> 
<p><b>F04</b>    Brake Master Cylinder</p> 	<p><b>F05</b>    Front Cover Front Fender</p> 	<p><b>F06</b>    Stem Steering Front Cushion</p> 
<p><b>F07</b>    Front Wheel</p> 	<p><b>F08</b>    Rear Wheel</p> 	<p><b>F09</b>    Seat</p> 

# CONTENTS - FRAME GROUP

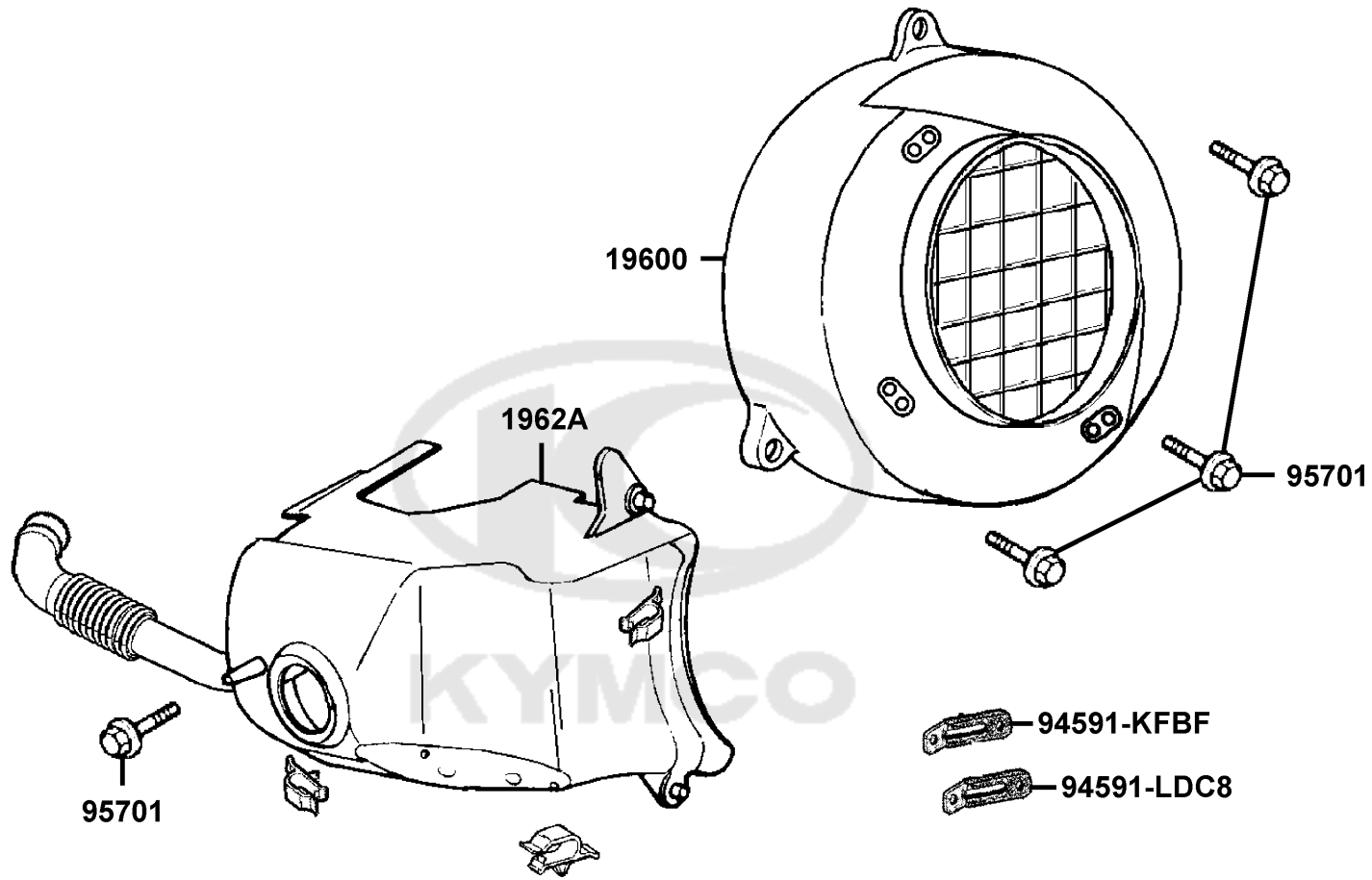
<p><b>F10 Fuel Tank</b></p>	<p><b>F11 Battery</b></p>	<p><b>F12 Body Cover Luggage Box</b></p>
<p><b>F13 Air Cleaner</b></p>	<p><b>F14 Exhaust Muffler</b></p>	<p><b>F15 Stand Kick Starter Arm</b></p>
<p><b>F16 Rear Cushion</b></p>	<p><b>F17 Front Winker</b></p>	<p><b>F18 Tail Light</b></p>

# CONTENTS - FRAME GROUP

<b>F19</b> Wire Harness	<b>F20</b> Frame Body	<b>F21</b> Air Cleaner Two
<b>F22</b> Emblem Stripe		

E01

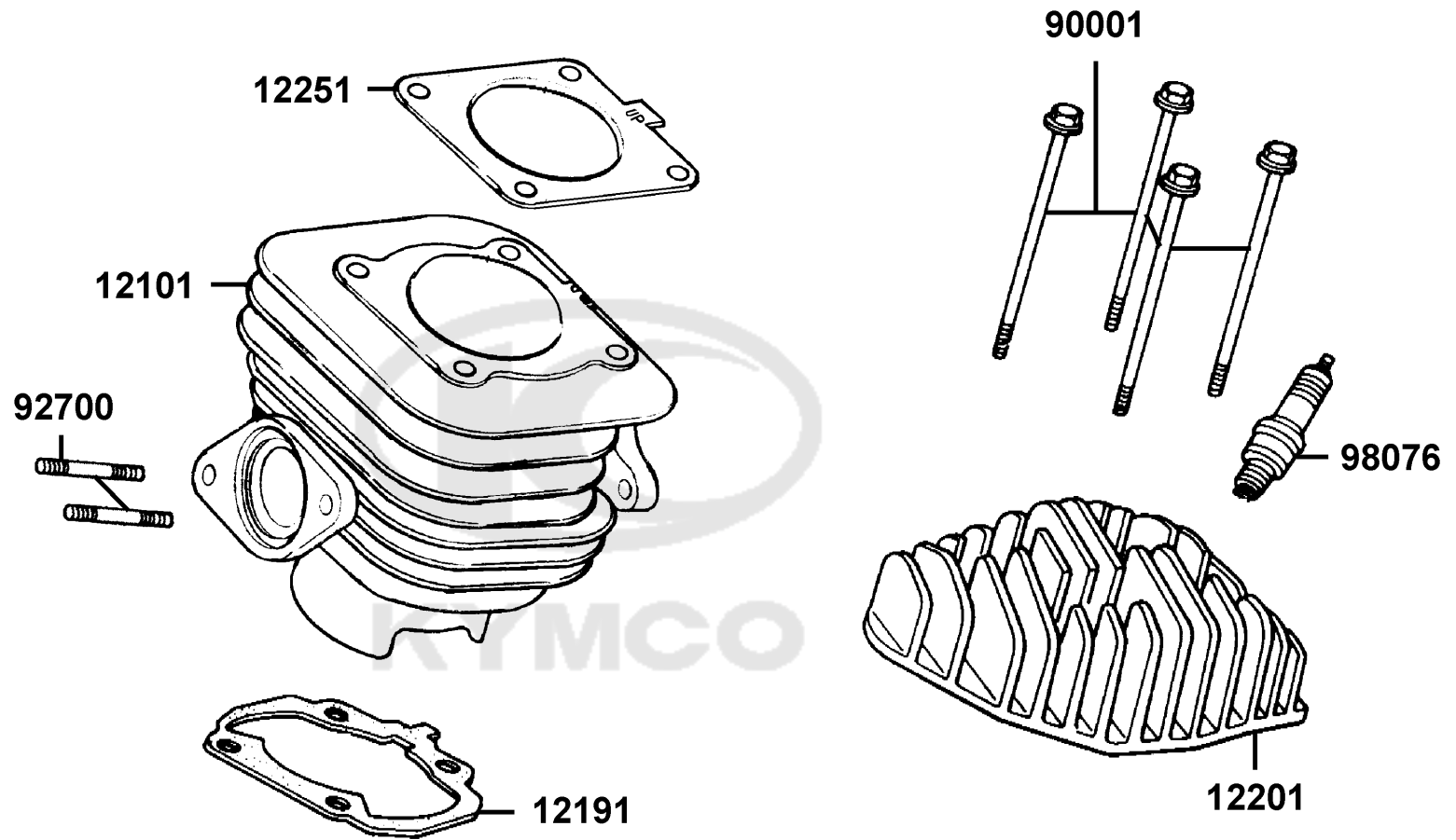
COVER COMP FAN



Sales mark	Ref no	Part no	Description	Reg description	Regd no	<b>E01</b>
19600	19600-KEB7-C00	19600-KEB7-C00	COVER COMP FAN	COVER COMP FAN	1	
1962A	1962A-KEB7-C10	1962A-KEB7-C10	CLIP SET SHROUD	CLIP SET SHROUD	1	
94591-KFBF	94591-KFBF-C00	94591-KFBF-C00	CLIP 2*70	CLIP 2*70	1	
94591-LDC8	94591-LDC8-E10	94591-LDC8-E10	CLIP BIND	CLIP BIND	1	
95701	95701-06025-08	95701-06025-08	BOLT FLANGE 6*25	BOLT FLANGE 6*25	4	





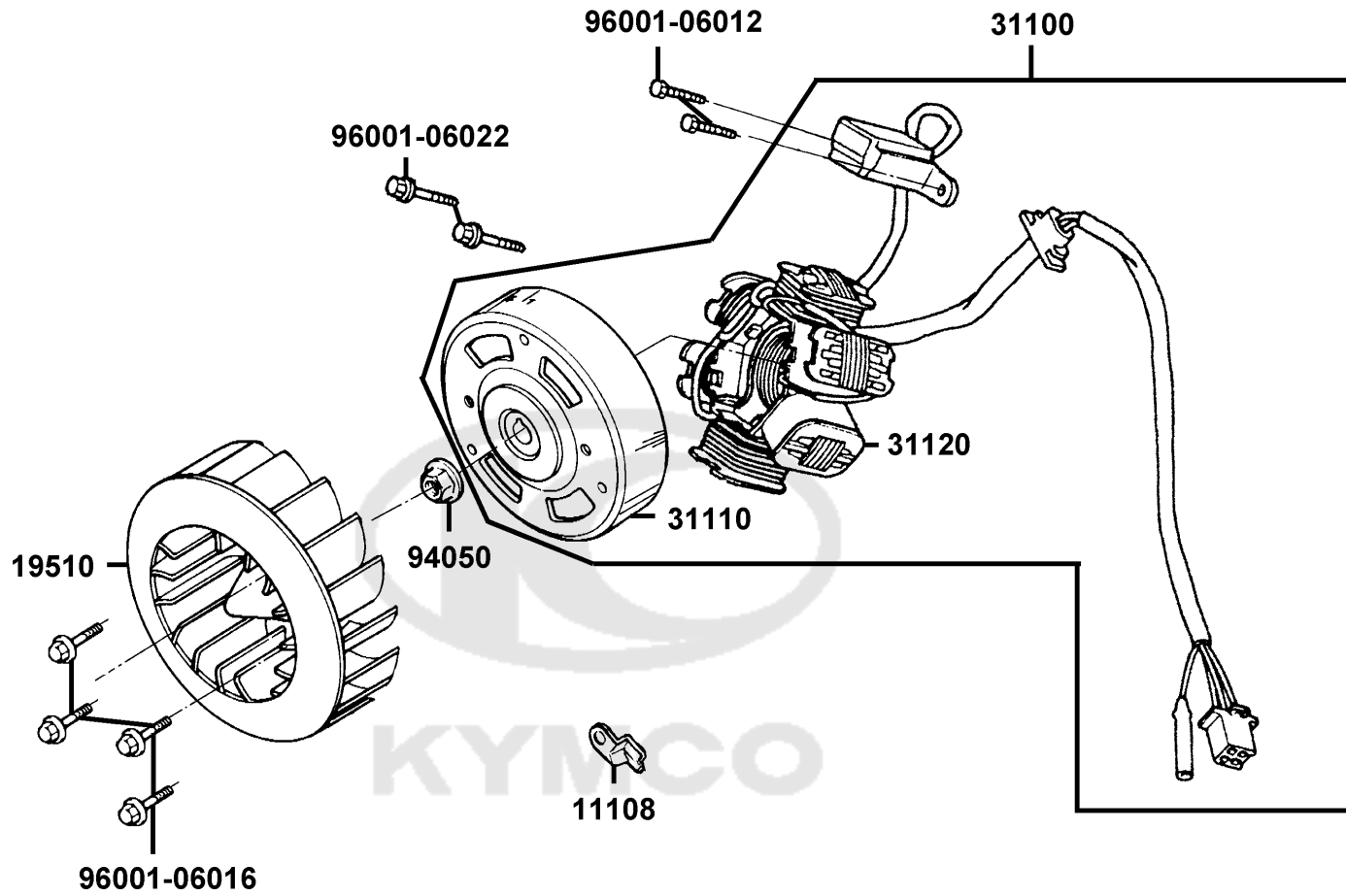


Sales mark	Ref no	Part no	Description	Reg description	Regd no	<b>E02</b>
	12101	12101-KEB7-C00	CYLINDER	CYLINDER	1	
	12191	12191-KEB7-C00	GASKET CYLINDER @A	GASKET CYLINDER @A	1	
	12201	12201-KEB7-C00	HEAD CYLINDER	HEAD CYLINDER	1	
	12251	12251-KEB7-C00	GASKET CYLINDER HEAD	GASKET CYLINDER HEAD	1	
	90001	90001-GKAK-C00	BOLT FLANGE 7*100	BOLT FLANGE 7*100	1	
	92700	92700-06028-1B	BOLT STUD 6*28	BOLT STUD 6*28	2	
	98076	98076-5871G-00	SPARK PLUG (BR8HSA)	SPARK PLUG (BR8HSA)	1	

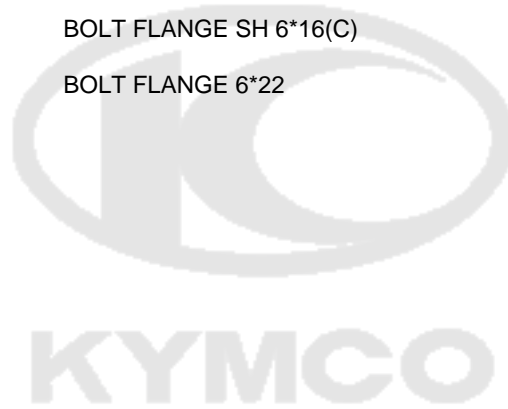


E03

Fan Cover Generator

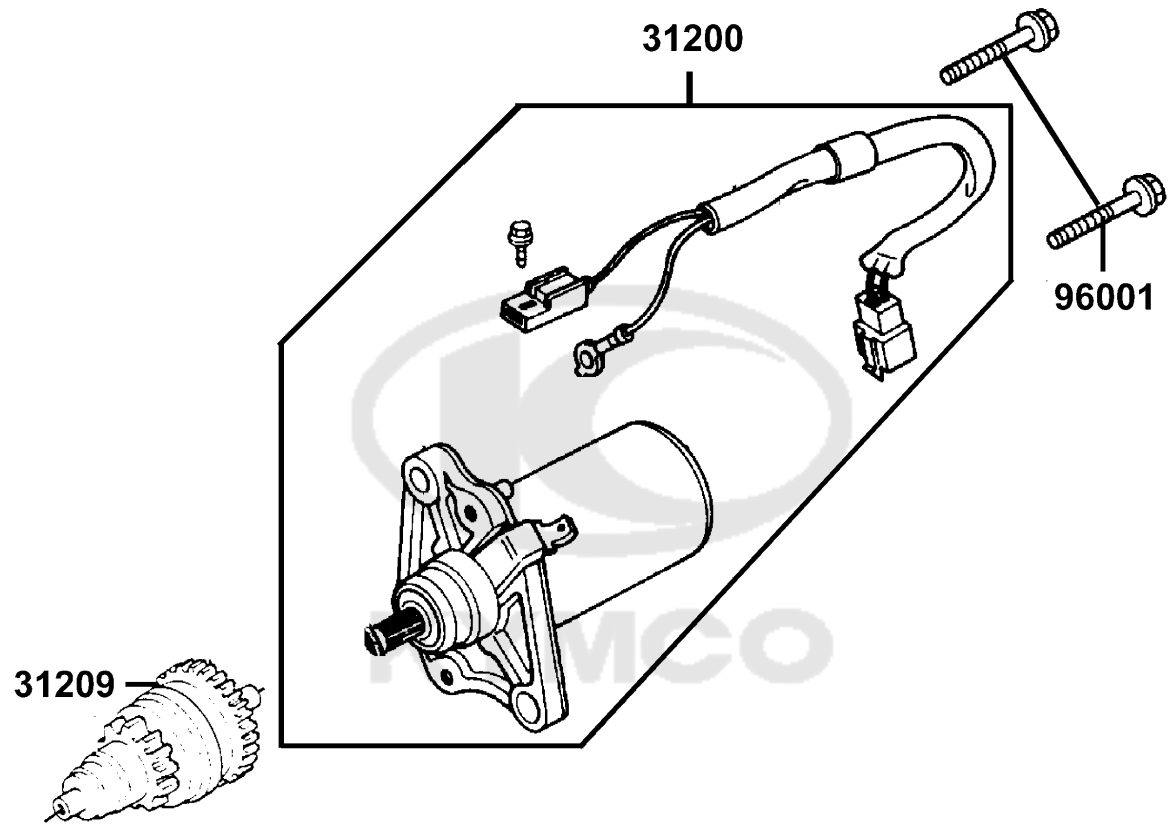


Sales mark	Ref no	Part no	Description	Reg description	Regd no	<b>E03</b>
11108		11108-KEB7-C00	HOLDER STATOR WIRE	HOLDER STATOR WIRE	1	
19510		19510-GBW2-C00	FAN COMP COOLING	FAN COMP COOLING	1	
31100		31100-ALG2-E10	AC GEN ASSY	AC GEN ASSY	1	
31110		31110-LHM9-E11	FLYWHEEL COMP	FLYWHEEL COMP	1	
31120		31120-ALG2-E10	STATOR COMP	STATOR COMP	1	
94050		94050-10080	NUT HEX 10MM	NUT HEX 10MM	1	
96001-06012		96001-06012-08	BOLT FLANGE 6*12	BOLT FLANGE 6*12	2	
96001-06016		96001-06016-08	BOLT FLANGE SH 6*16(C)	BOLT FLANGE SH 6*16(C)	4	
96001-06022		96001-06022-08	BOLT FLANGE 6*22	BOLT FLANGE 6*22	2	



E04

MOTOR ASSY START



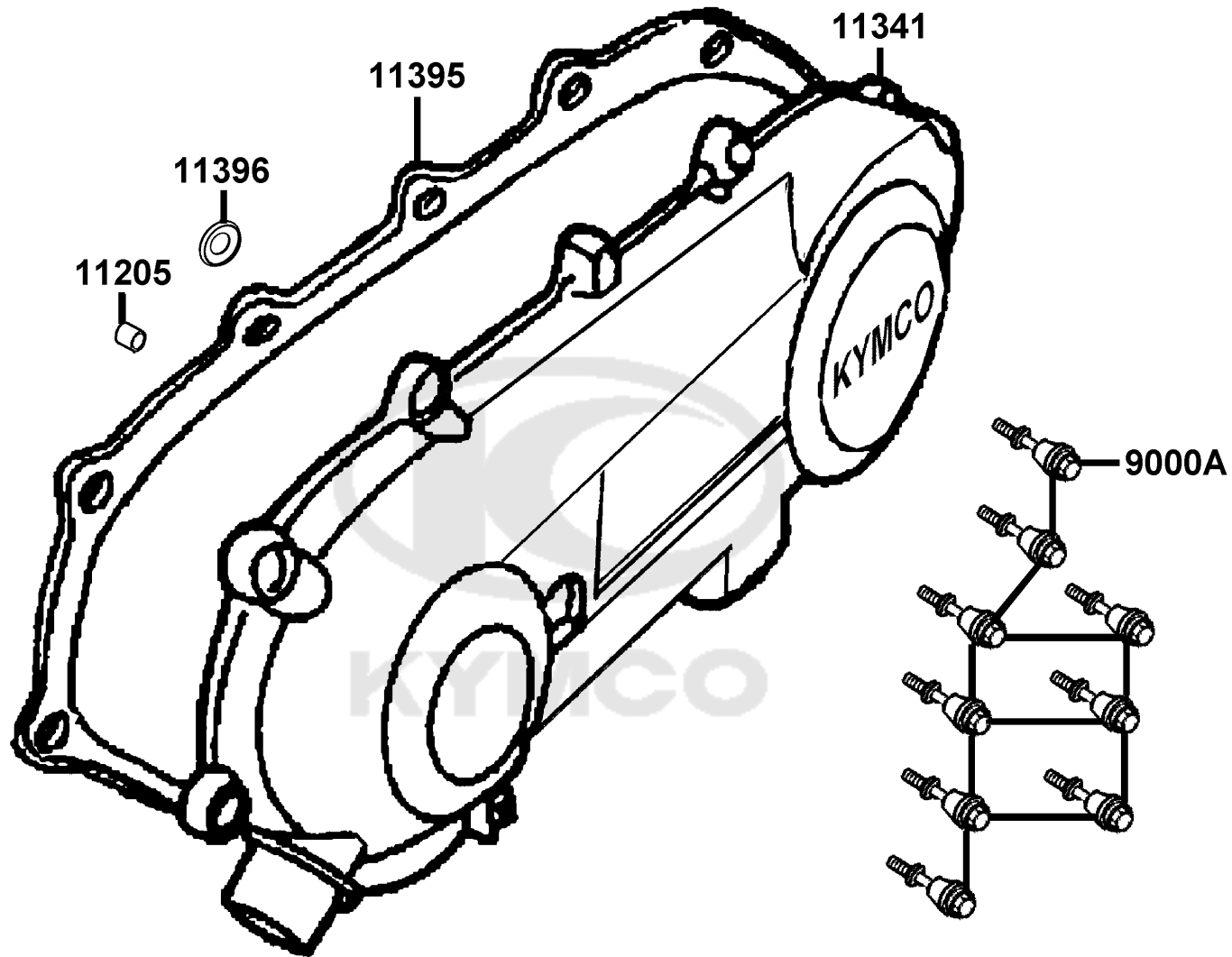
Sales mark	Ref no	Part no	Description	Reg description	Regd no	<b>E04</b>
------------	--------	---------	-------------	-----------------	---------	------------

31200		31200-LHM9-E10	MOTOR ASSY STARTER	MOTOR ASSY STARTER	1	
31209		31209-GKAK-C00	PINION ASSY STARTER	PINION ASSY STARTER	1	
96001		96001-06025-08	BOLT FLANGE SH 6*25 (C)	BOLT FLANGE SH 6*25 (C)	2	



E05

Left Crankcase Cover

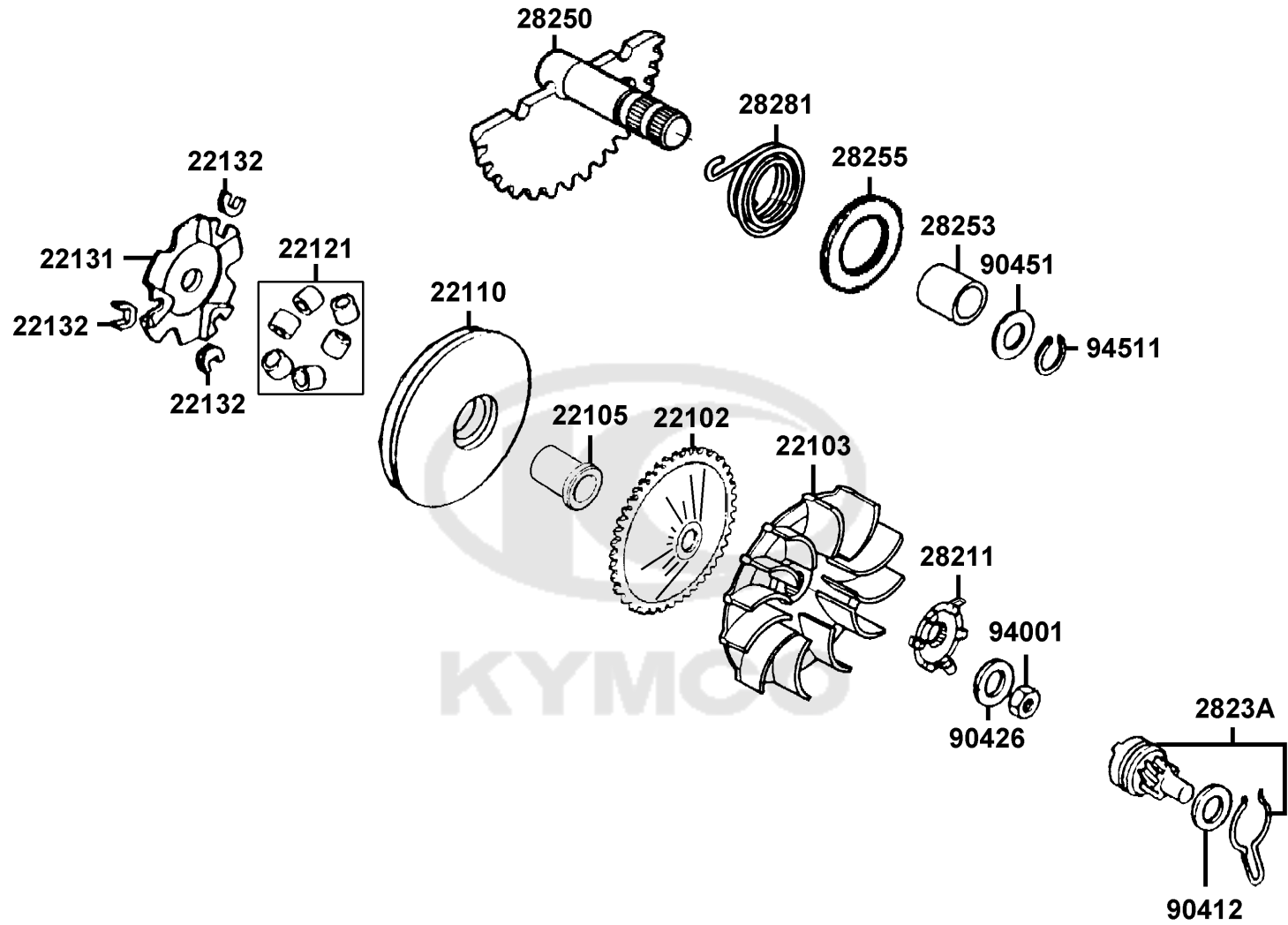


Sales mark	Ref no	Part no	Description	Reg description	Regd no	<b>E05</b>
------------	--------	---------	-------------	-----------------	---------	------------

	11205	11205-GHAH-C00	BUSH 8*12*8	BUSH 8*12*8	1	
**	11341	11341-KFA6-900	COVER L SIDE	COVER L SIDE	1	
	11395	11395-KFA6-C00	GASKET L COVER	GASKET L COVER	1	
	11396	11396-KFA6-C00	GASKET L COVER	GASKET L COVER	1	
	9000A	9000A-KTDT-C00	BOLT ASSY SPECIAL 6*29.5	BOLT ASSY SPECIAL 6*29.5	9	



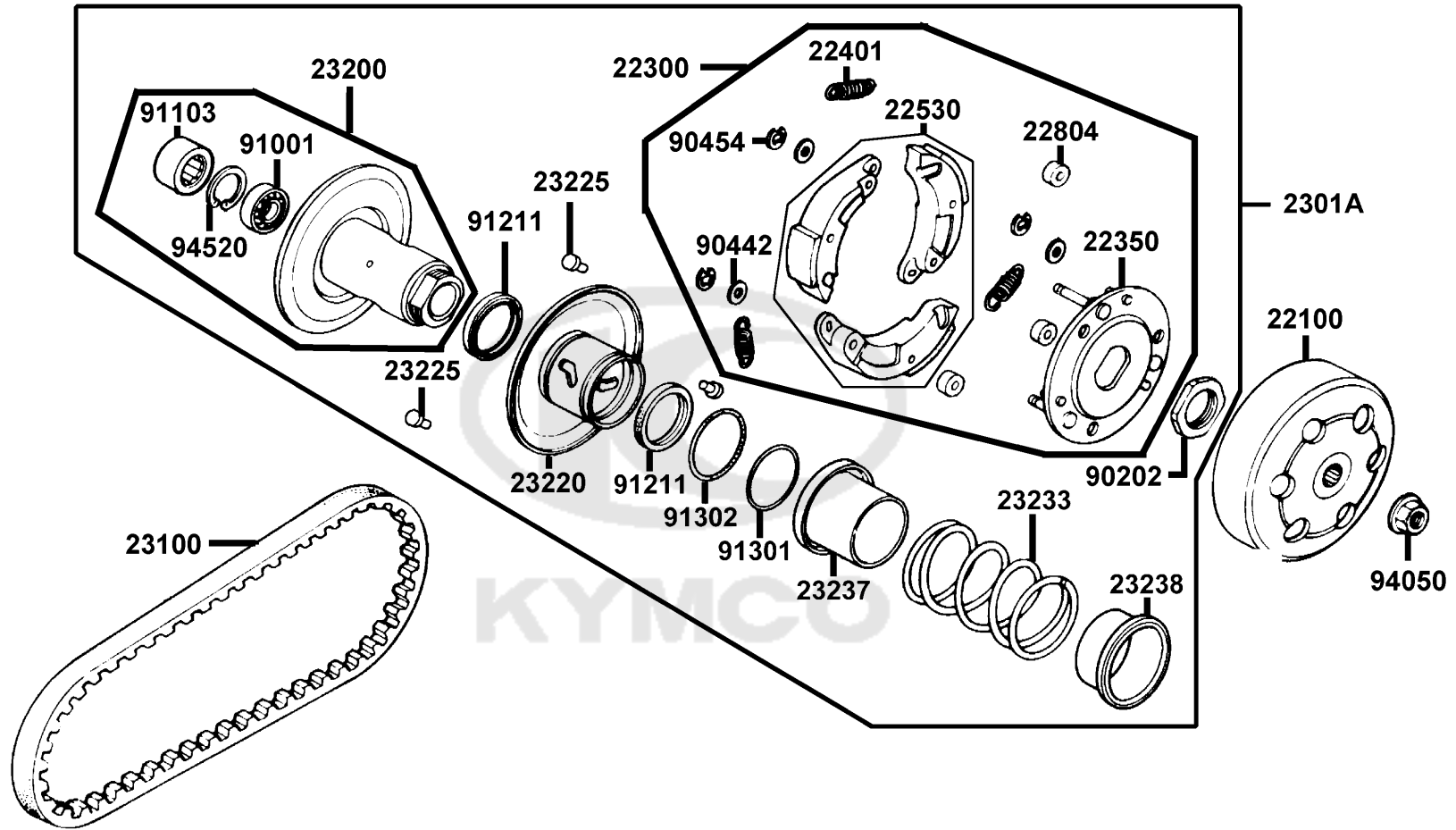




Sales mark	Ref no	Part no	Description	Reg description	Regd no	<b>E06</b>
	22102	22102-LDC8-E10	FACE DRIVE	FACE DRIVE	1	
	22103	22103-KEB7-C00	FAN CVT COOLING	FAN CVT COOLING	1	
	22105	22105-KEB7-C00	BOSS DRIVE FACE	BOSS DRIVE FACE	1	
	22110	22110-LDC8-E10	FACE COMP MOVABLE DRIVE	FACE COMP MOVABLE DRIVE	1	
	22121	22121-GLW0-C00	ROLLER COMP WEIGHT 8.5 gr	ROLLER COMP WEIGHT 8.5 gr	6	
	22131	22131-GHAH-C00	PLATE RAMP	PLATE RAMP	1	
	22132	22132-GLW0-C00	PIECE SLIDE	PIECE SLIDE	3	
	28211	28211-KEB7-W10	RATCHET KICK STARTER	RATCHET KICK STARTER	1	
	2823A	2823A-GKAK-W10	GEAR ASSY KICK DRIVEN	GEAR ASSY KICK DRIVEN	1	
	28250	28250-KCCC-C00	SPINDLE COMP KICK STARTER	SPINDLE COMP KICK STARTER	1	
	28253	28253-GBN2-C00	BUSH KICK SPDL	BUSH KICK SPDL	1	
	28255	28255-GFS6-C00	COLLAR KICK BOSS	COLLAR KICK BOSS	1	
	28281	28281-GBN2-C00	SPRING KICK RETURN	SPRING KICK RETURN	1	
	90412	90412-3K29-C00	WASHER THRUST 10M/M	WASHER THRUST 10M/M	1	
	90426	90426-KNBN-C00	WASHER SPECIAL 12MM	WASHER SPECIAL 12MM	1	
	90451	90451-GBN2-C00	WASHER KICK SPINDLE	WASHER KICK SPINDLE	1	
	94001	94001-12280-0S	NUT HEX 12MM (C)	NUT HEX 12MM (C)	1	
	94511	94511-14000	CIR CLIP EX 14	CIR CLIP EX 14	1	



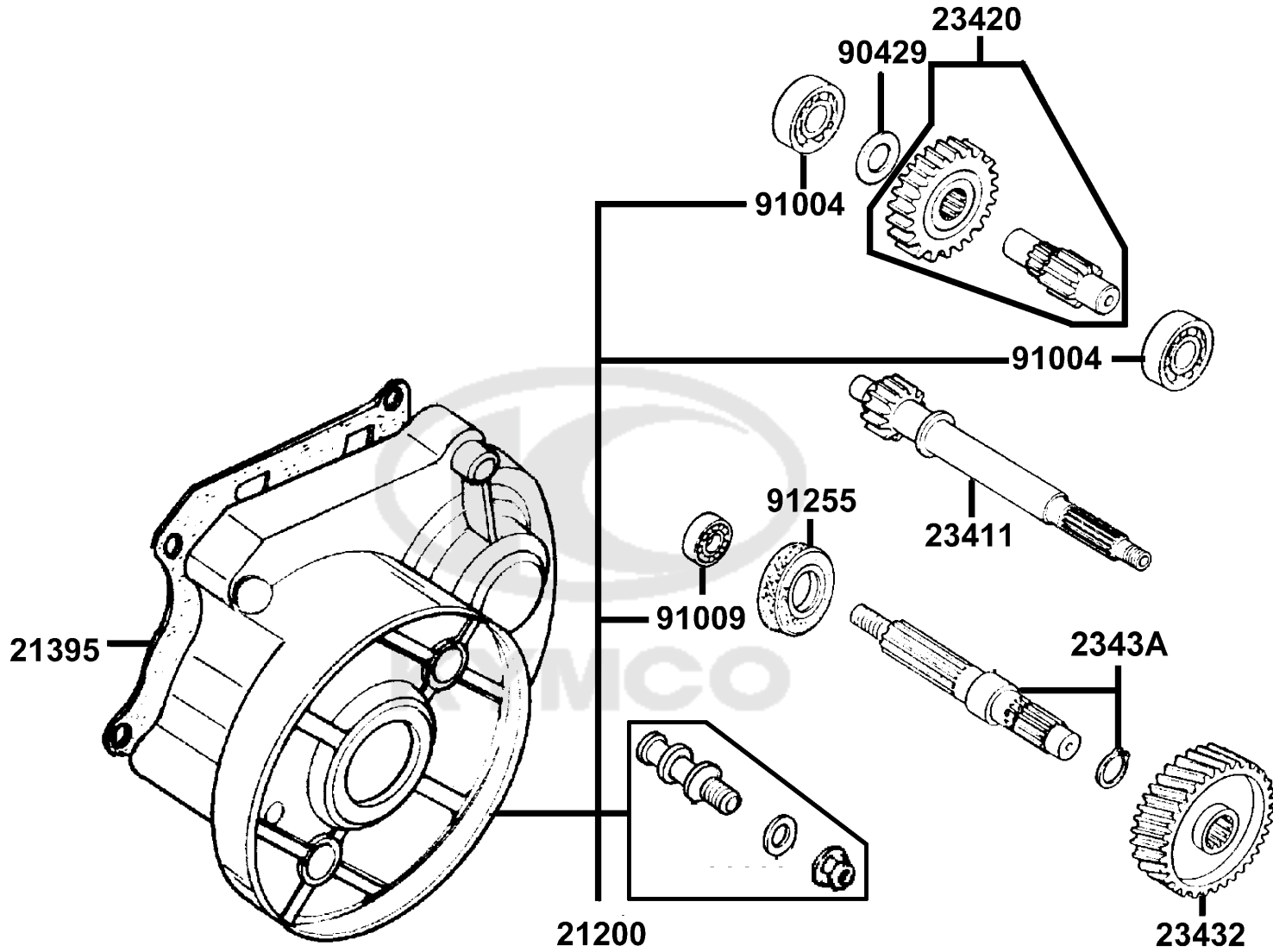
Sales mark	Ref no	Part no	Description	Reg description	Regd no	E07
	22100	22100-LHM9-E10	CLUTCH OUTER	CLUTCH OUTER	1	
	22300	22300-KXCX-900	PLATE ASSY DRIVE	PLATE ASSY DRIVE	1	
	22350	22350-GKAK-C00	PLATE COMP DRIVE	PLATE COMP DRIVE	1	
	22401	22401-GBG2-C00	SPRING CLUTCH	SPRING CLUTCH	3	
	22530	22530-GKAK-C00	WEIGHT CLUTCH	WEIGHT CLUTCH	3	
	22804	22804-1H48-C00	RUBBER CLUTCH DUMPER	RUBBER CLUTCH DUMPER	2	
	2301A	2301A-KEB7-C00	PULLEY SUB ASSY	PULLEY SUB ASSY	1	
	23100	23100-KEB7-C00	BELT DRIVE	BELT DRIVE	1	
	23200	23200-GAR1-C00	FACE ASSY?A DRIVEN	FACE ASSY?A DRIVEN	1	
	23220	23220-GKAK-C00	FACE COMP DRIVEN H1	FACE COMP DRIVEN H1	1	
	23225	23225-GAR1-C00	PIN GUIDE	PIN GUIDE	3	
	23233	23233-GHE8-001	SPG DRIVEN FACE	SPG DRIVEN FACE	1	
	23237	23237-GAR1-C00	COLLAR SEAL	COLLAR SEAL	1	
	23238	23238-GGS7-C00	COLLAR SPG	COLLAR SPG	1	
	90202	90202-1G87-C00	NUT SPECIAL 28MM	NUT SPECIAL 28MM	1	
	90442	90442-0D44-C00	WASHER THRUST 6M/M	WASHER THRUST 6M/M	3	
	90454	90454-GBB2-C00	CIR CLIP 6MM	CIR CLIP 6MM	3	
	91001	91001-GGA7-C00	BRG RADIAL BALL 6901U	BRG RADIAL BALL 6901U	1	
	91103	91103-GAR1-C00	BRG NEEDLE 17x25x18 WS	BRG NEEDLE 17x25x18 WS	1	
	91211	91211-GHK8-C00	OIL SEAL 34*39*3	OIL SEAL 34*39*3	2	



Sales mark	Ref no	Part no	Description	Reg description	Regd no	<b>E07</b>
------------	--------	---------	-------------	-----------------	---------	------------

91301		91301-KEA5-742	O-RING 36*1.5	O-RING 36*1.5	1	
91302		91302-PKA9-C00	O-RING 39.8*2.2	O-RING 39.8*2.2	1	
94050		94050-10080	NUT HEX 10MM	NUT HEX 10MM	1	
94520		94520-24000	CIR CLIP IN 24	CIR CLIP IN 24	1	





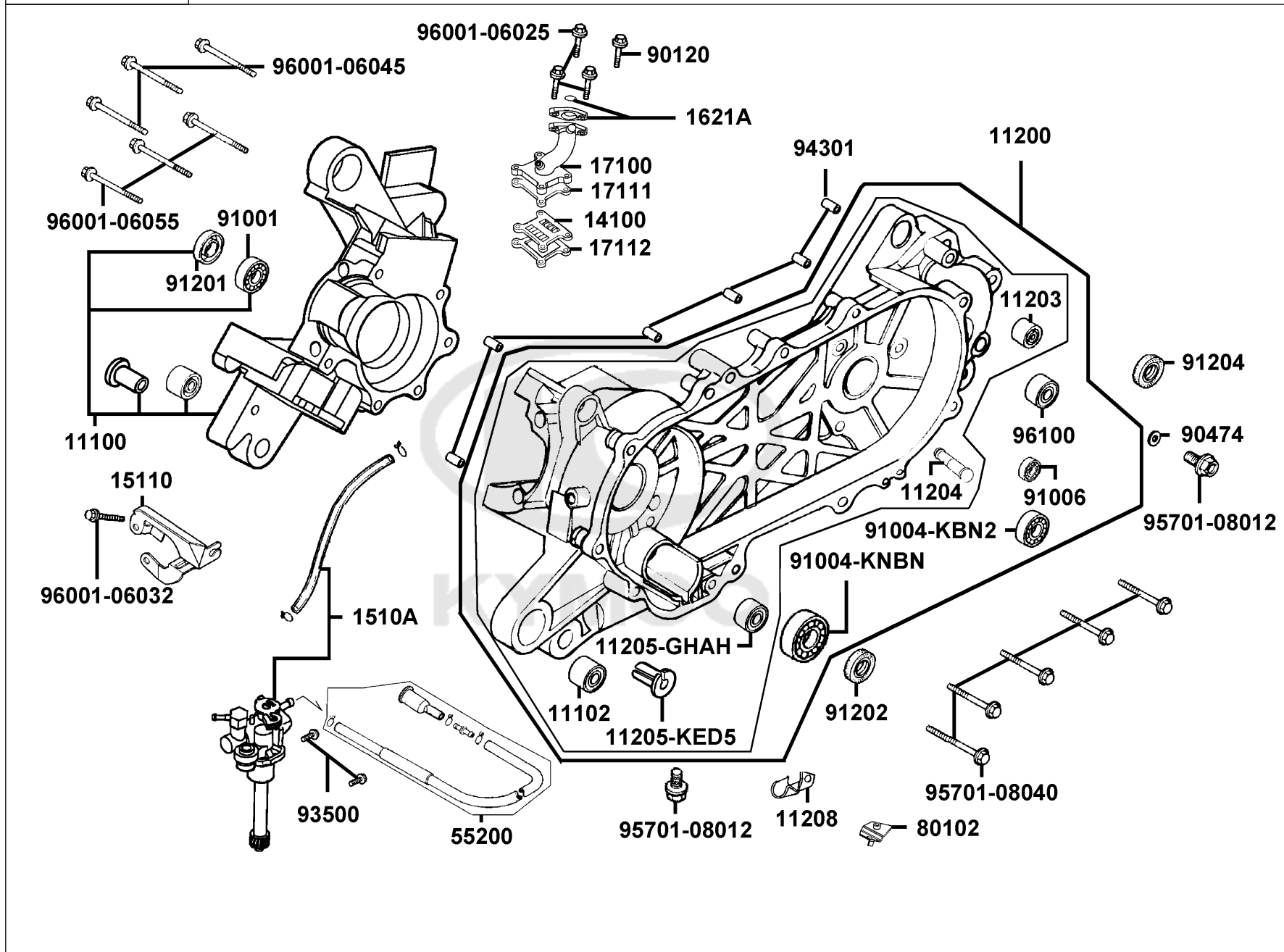
Sales mark	Ref no	Part no	Description	Reg description	Regd no	<b>E08</b>
21200		21200-KFA6-900	CASE COMP MISSION	CASE COMP MISSION	1	
21395		21395-KFA6-C00	GASKET MISSION CASE @A	GASKET MISSION CASE @A	1	
23411		23411-KFA6-C00	SHAFT DRIVE	SHAFT DRIVE	1	
23420		23420-KFA6-C00	SHAFT COMP COUNTER	SHAFT COMP COUNTER	1	
23432		23432-KFA6-C00	GEAR FINAL	GEAR FINAL	1	
2343A		2343A-LHB3-C00	SHAFT FINAL	SHAFT FINAL	1	
90429		90429-KNBN-C00	WASHER SIDE 12MM	WASHER SIDE 12MM	1	
91004		91004-KBN2-C00	BRG BALL RADIAL 6201	BRG BALL RADIAL 6201	1	
91009		91009-GLE0-C00	BRG BALL RADIAL 6004 UU	BRG BALL RADIAL 6004 UU	1	
91255		91255-LDC8-E10	OIL SEAL 27*42*7	OIL SEAL 27*42*7	1	





E09

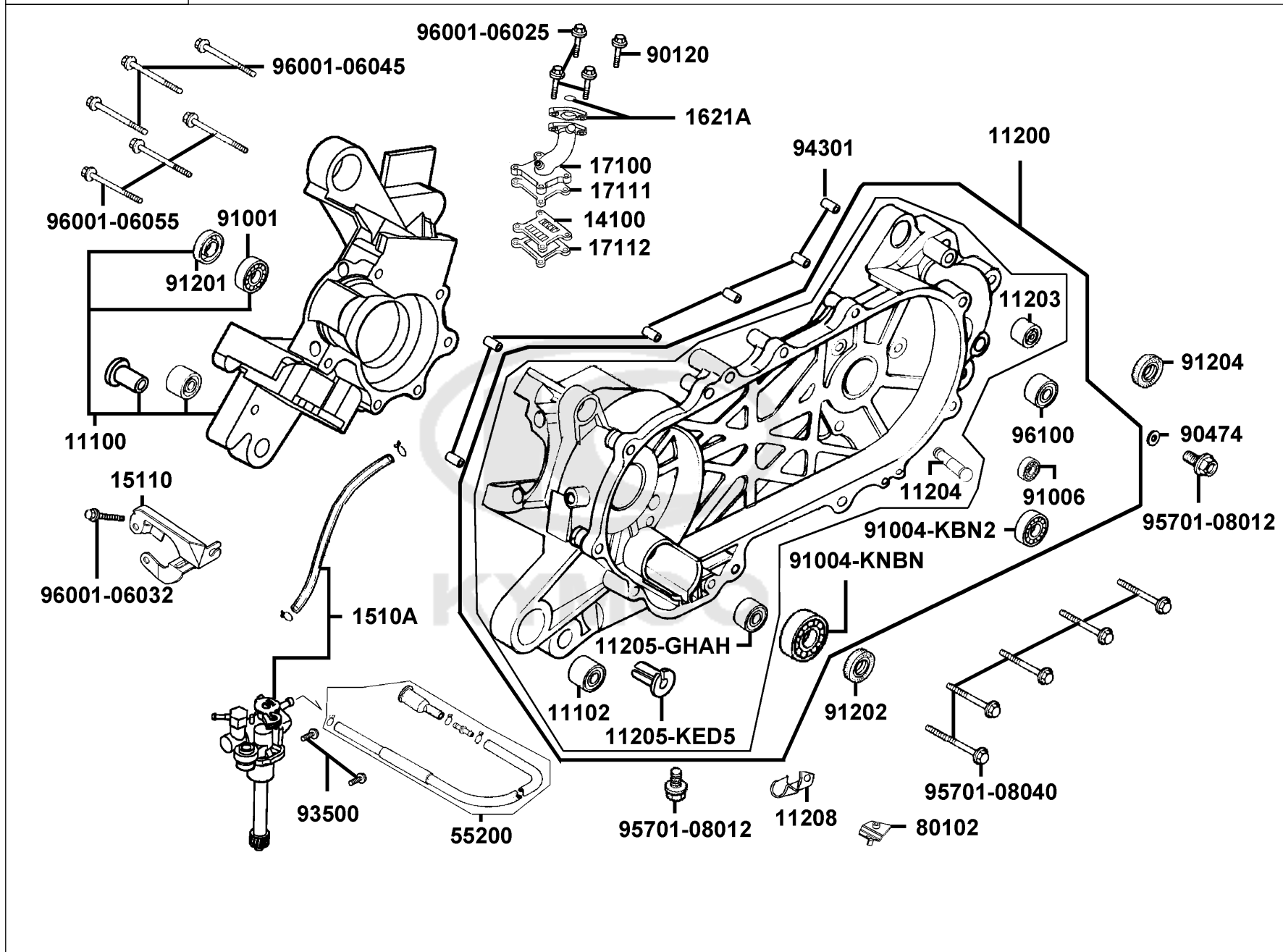
Crankcase



Sales mark	Ref no	Part no	Description	Reg description	Regd no	<b>E09</b>
11100		11100-KEB7-C00	CRANK CASE COMP RIGHT	CRANK CASE COMP RIGHT	1	
11102		11102-1G87-C00	RUBBER BUSH ENGINE HANGER	RUBBER BUSH ENGINE HANGER	1	
11200		11200-KFA6-900	CRANK CASE COMP LEFT	CRANK CASE COMP LEFT	1	
11203		11203-GGC7-W10	UNDER RUBBER BUSH RR CUSHION	UNDER RUBBER BUSH RR CUSHION	1	
11204		11204-LEJ2-E10	PIN SPG HOOK	PIN SPG HOOK	1	
11205-GHAH		11205-GHAH-C00	BUSH 8*12*8	BUSH 8*12*8	1	
11205-KED5		11205-KED5-C00	BUSH M STAND	BUSH M STAND	1	
11208		11208-GKAK-C00	CLAMPER CARB DRAIN	CLAMPER CARB DRAIN	1	
14100		14100-KEB7-C00	VALVE COMP REED	VALVE COMP REED	1	
1510A		1510A-LCD1-E00	OIL PUMP ASSY	OIL PUMP ASSY	1	
15110		15110-KEB7-C00	PLATE OIL PUMP SET	PLATE OIL PUMP SET	1	
1621A		1621A-GKAK-C00	INSULATOR CARB ASSY	INSULATOR CARB ASSY	1	
17100		17100-KEB7-901	PIPE COMP INLET	PIPE COMP INLET	1	
17111		17111-LHM9-E10	GASKET INLET PIPE A @A	GASKET INLET PIPE A @A	1	
17112		17112-KEB7-C00	GASKET INLET PIPE B @A	GASKET INLET PIPE B @A	1	
55200		55200-LCD1-C00	TUBE ASSY OIL	TUBE ASSY OIL	1	
80102		80102-LHM9-E10	STAY A RR TIRE FENDER	STAY A RR TIRE FENDER	1	
90120		90120-GAR1-C00	SOCKET BOLT SPECIAL 6*28	SOCKET BOLT SPECIAL 6*28	1	
90474		90474-3C33-C00	WASHER 8MM (T*2)	WASHER 8MM (T*2)	1	
91001		91001-GLW0-C00	BRG BALL RADIAL6204	BRG BALL RADIAL6204	1	

E09

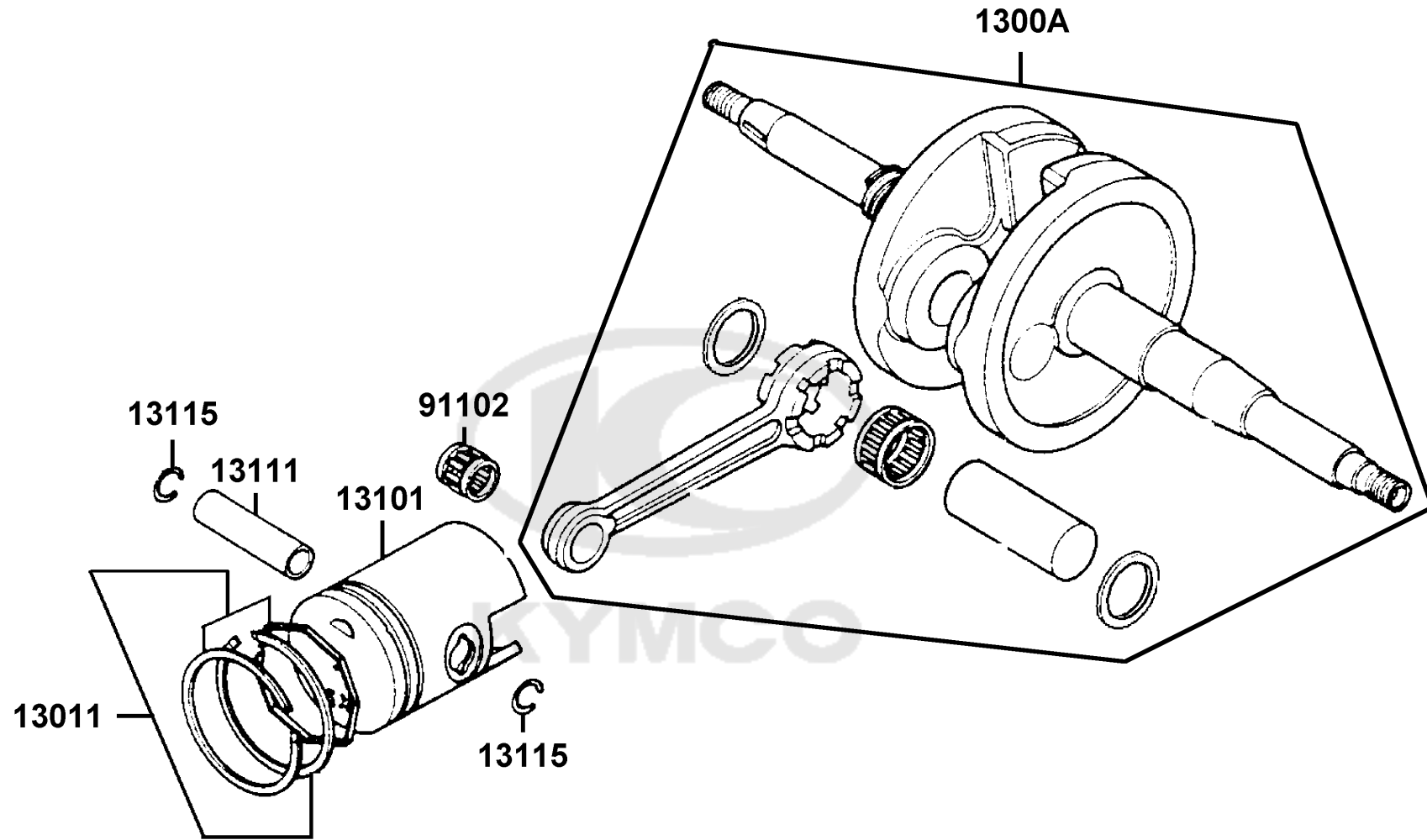
Crankcase



Sales mark	Ref no	Part no	Description	Reg description	Regd no	<b>E09</b>
91004-KBN2		91004-KBN2-C00	BRG BALL RADIAL 6201	BRG BALL RADIAL 6201	1	
91004-KNBN		91004-KNBN-C00	BRG BALL RADIAL 6203 SPC	BRG BALL RADIAL 6203 SPC	1	
91006		91006-KNBN-C00	BRG BALL RADIAL25*56*12	BRG BALL RADIAL25*56*12	1	
91201		91201-KNBN-C00	OIL SEAL 15.6*25.5*7	OIL SEAL 15.6*25.5*7	1	
91202		91202-KNBN-C00	OIL SEAL 20*31*7	OIL SEAL 20*31*7	1	
91204		91204-KNBN-C00	OIL SEAL 17*30*6	OIL SEAL 17*30*6	1	
93500		93500-05012-0H	BOLT M5*12(C)	BOLT M5*12(C)	2	
94301		94301-10200	DOWEL PIN 10*20	DOWEL PIN 10*20	6	
95701-08012		95701-08012-08	BOLT FLANGE 8*12 (C)	BOLT FLANGE 8*12 (C)	2	
95701-08040		95701-08040-08	BOLT FLANGE 8*40 (C)	BOLT FLANGE 8*40 (C)	6	
96001-06025		96001-06025-08	BOLT FLANGE SH 6*25 (C)	BOLT FLANGE SH 6*25 (C)	3	
96001-06032		96001-06032-08	BOLT FLANGE 6*32	BOLT FLANGE 6*32	1	
96001-06045		96001-06045-08	BOLT FLANGE SH 6*45 (C)	BOLT FLANGE SH 6*45 (C)	3	
96001-06055		96001-06055-08	BOLT FLANGE SH 6*55 (C)	BOLT FLANGE SH 6*55 (C)	3	
96100		96100-62033-00	BEARING BALL RADIAL 6203	BEARING BALL RADIAL 6203	1	

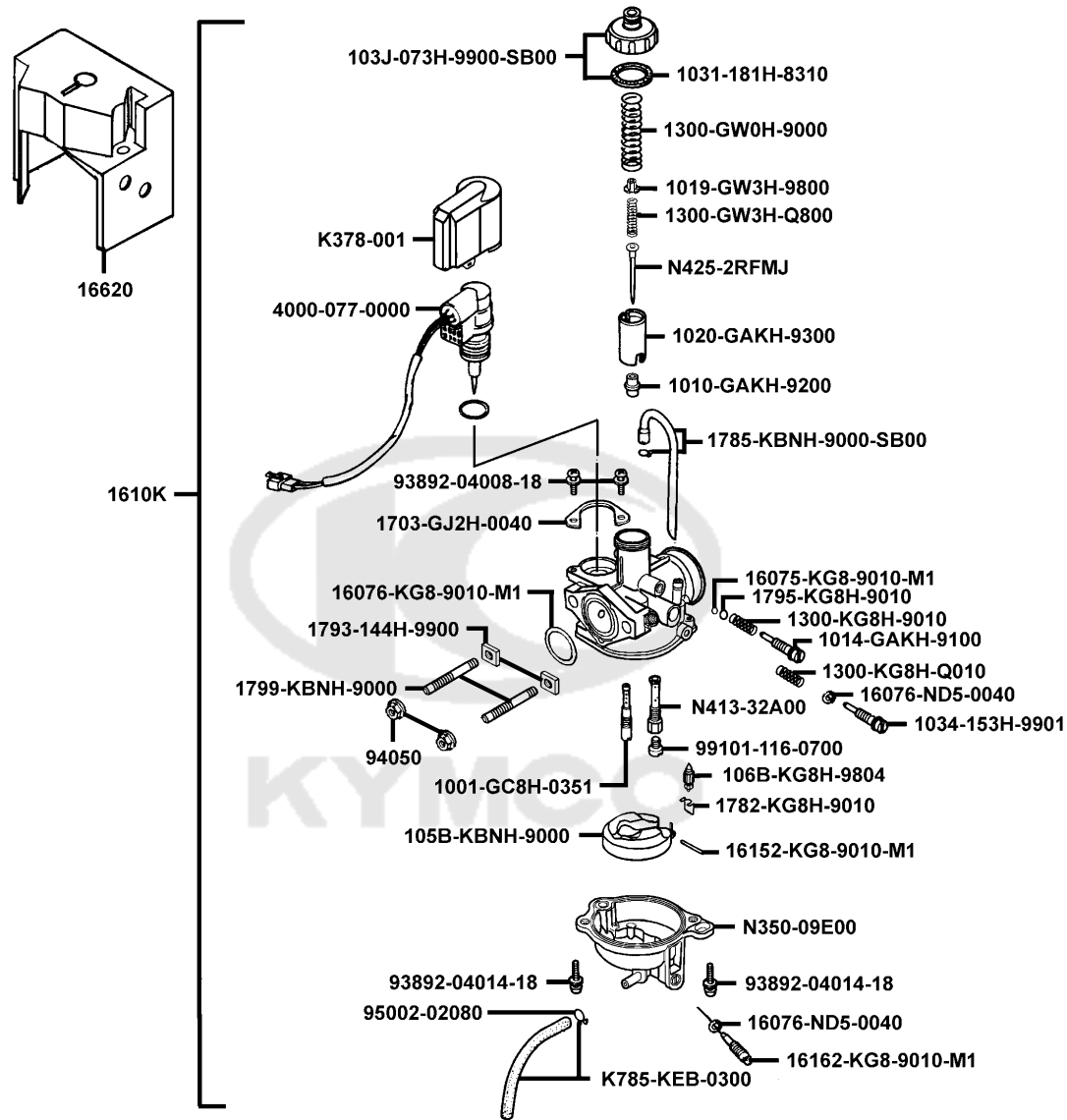
E10

Crankshaft PistonRing Assy Piston



Sales mark	Ref no	Part no	Description	Reg description	Regd no	<b>E10</b>
1300A	1300A-GKAK-C00	1300A-GKAK-C00	CRANK SHAFT ASSY	CRANK SHAFT ASSY	1	
13011	13011-GLW0-C00	13011-GLW0-C00	RING ASSY PISTON	RING ASSY PISTON	1	
13101	13101-GLW0-901	13101-GLW0-901	PISTON	PISTON	1	
13111	13111-1F66-001	13111-1F66-001	PIN PISTON	PIN PISTON	1	
13115	13115-1F56-C00	13115-1F56-C00	CLIP PISTON PIN 12MM	CLIP PISTON PIN 12MM	2	
91102	91102-GLW0-C00	91102-GLW0-C00	BRG CON-ROD S.E	BRG CON-ROD S.E	1	



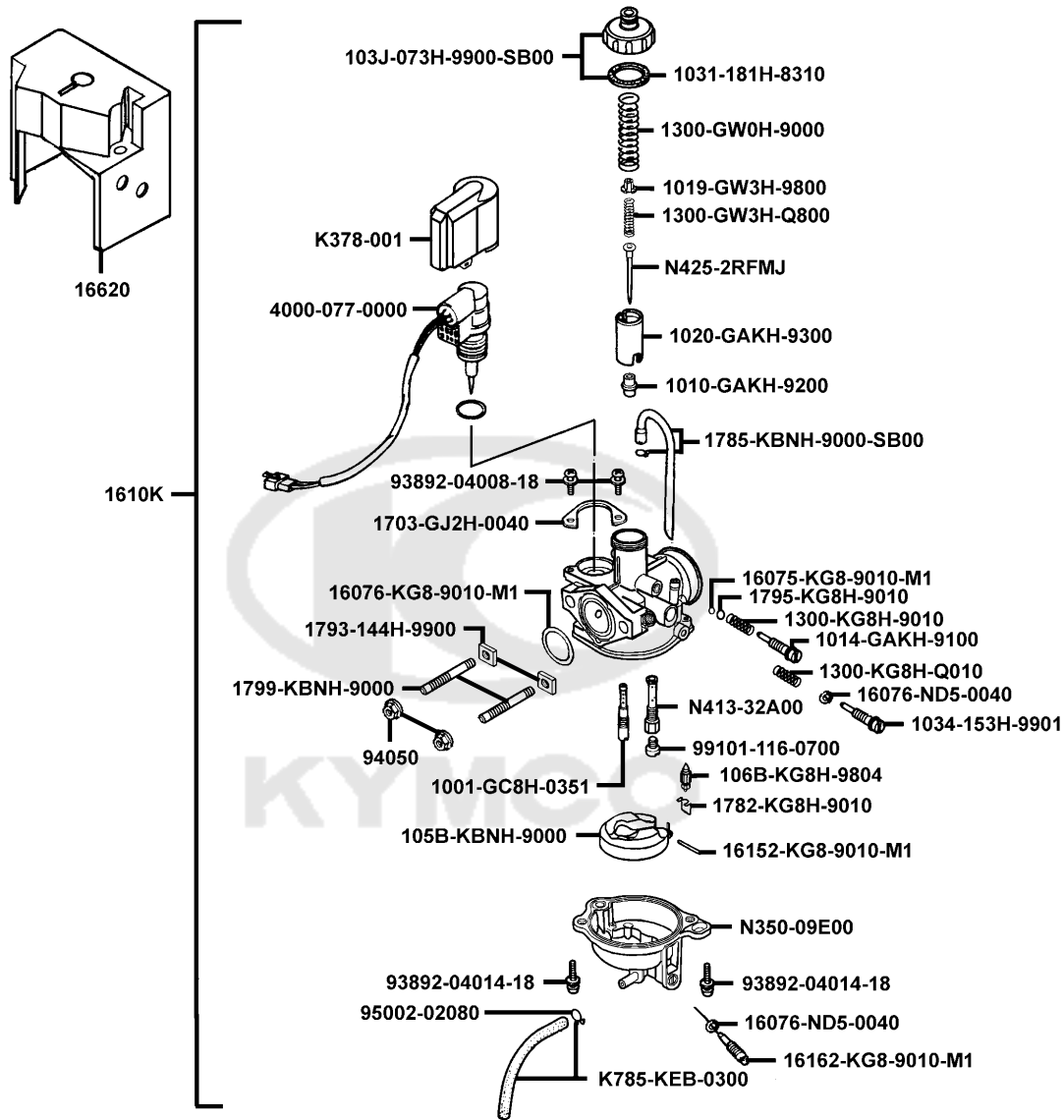


Sales mark	Ref no	Part no	Description	Reg description	Regd no	<b>E11</b>
	1001-GC8H-0351	1001-GC8H-0351	SLOW JET	SLOW JET	1	
	1010-GAKH-9200	1010-GAKH-9200	NEEDLE JET	NEEDLE JET	1	
	1014-GAKH-9100	1014-GAKH-9100	ADJUST SCREW	ADJUST SCREW	1	
	1019-GW3H-9800	1019-GW3H-9800	VALVE PLATE	VALVE PLATE	1	
	1020-GAKH-9300	1020-GAKH-9300	THROTTLE VALVE	THROTTLE VALVE	1	
	1031-181H-8310	1031-181H-8310	TOP GASKET	TOP GASKET	1	
	1034-153H-9901	1034-153H-9901	STOP SCREW	STOP SCREW	1	
	103J-073H-9900-	103J-073H-9900-SB00	TOP SET	TOP SET	1	
	105B-KBNH-9000	105B-KBNH-9000	FLOAT COMP	FLOAT COMP	1	
	106B-KG8H-9804	106B-KG8H-9804	FLOAT VALVE COMP	FLOAT VALVE COMP	1	
	1300-GW0H-9000	1300-GW0H-9000	SPG COMPR	SPG COMPR	1	
	1300-GW3H-Q800	1300-GW3H-Q800	SPG COMPR	SPG COMPR	1	
	1300-KG8H-9010	1300-KG8H-9010	COMPR SPG	COMPR SPG	1	
	1300-KG8H-Q010	1300-KG8H-Q010	COMPR SPG	COMPR SPG	1	
	16075-KG8-9010-M1	16075-KG8-9010-M1	O RING	O RING	1	
	16076-KG8-9010-M1	16076-KG8-9010-M1	O-RING	O-RING	1	
	16076-ND5-0040	16076-ND5-0040	O RING	O RING	1	
	1610K	1610K-KFA6-E05	CARBURETOR ASSY	CARBURETOR ASSY	1	
	16152-KG8-9010-M1	16152-KG8-9010-M1	ARM PIN	ARM PIN	1	
	16162-KG8-9010-M1	16162-KG8-9010-M1	DRAIN SCREW PAN	DRAIN SCREW PAN	1	



E11

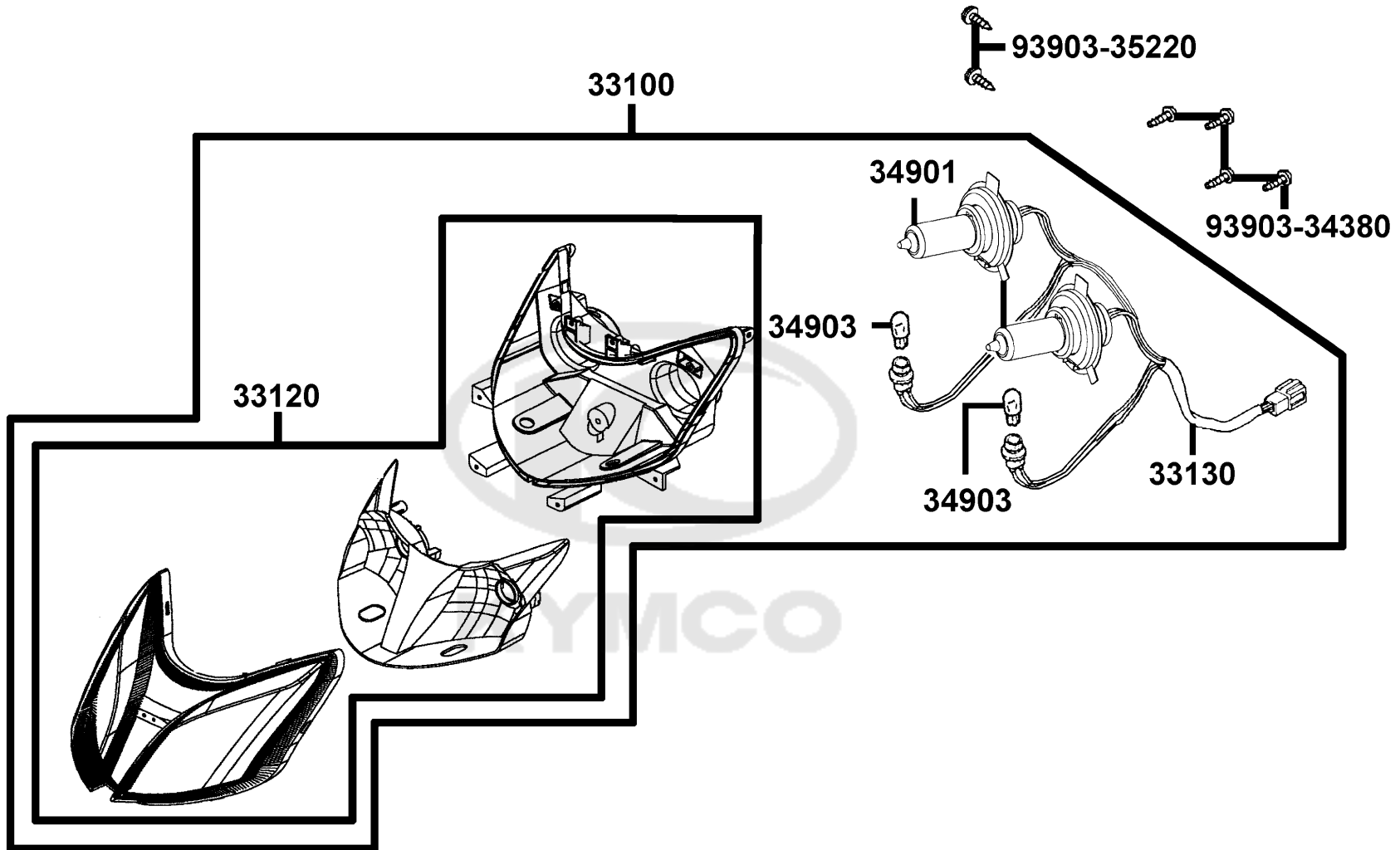
# Carburetor



Sales mark	Ref no	Part no	Description	Reg description	Regd no	<b>E11</b>
	16620	16620-LGR4-E10	CAP CARBURETOR	CAP CARBURETOR	1	
	1703-GJ2H-0040	1703-GJ2H-0040	SET PLATE	SET PLATE	1	
	1782-KG8H-9010	1782-KG8H-9010	CLIP	CLIP	1	
	1785-KBNH-9000-	1785-KBNH-9000-SB00	TUBE SET (A.V)	TUBE SET (A.V)	1	
	1793-144H-9900	1793-144H-9900	HEX NUT	HEX NUT	1	
	1795-KG8H-9010	1795-KG8H-9010	WASHER PLAIN	WASHER PLAIN	1	
	1799-KBNH-9000	1799-KBNH-9000	STUD BOLT	STUD BOLT	1	
	4000-077-0000	4000-077-0000	AUTO BYSTARTER SET	AUTO BYSTARTER SET	1	
	93892-04008-18	93892-04008-18	SCREW WASHER	SCREW WASHER	2	
	93892-04014-18	93892-04014-18	SCREW WASHER	SCREW WASHER	2	
	94050	94050-06080	NUT FLANG 6MM	NUT FLANG 6MM	2	
	95002	95002-02080	CLIP B8 TUBE	CLIP B8 TUBE	1	
	99101	99101-116-0700	MAIN JET	MAIN JET	1	
	K378-001	K378-001	CAP ASSY	CAP ASSY	1	
	K785-KEB-0300	K785-KEB-0300	TUBE SET (DRAIN)	TUBE SET (DRAIN)	1	
	N350-09E00	N350-09E00	FLOAT CHAMBER COMP	FLOAT CHAMBER COMP	1	
	N413-32A00	N413-32A00	NEEDLE JET HOLDER	NEEDLE JET HOLDER	1	
	N425-2RFMJ	N425-2RFMJ	JET NEEDLE COMP	JET NEEDLE COMP	1	

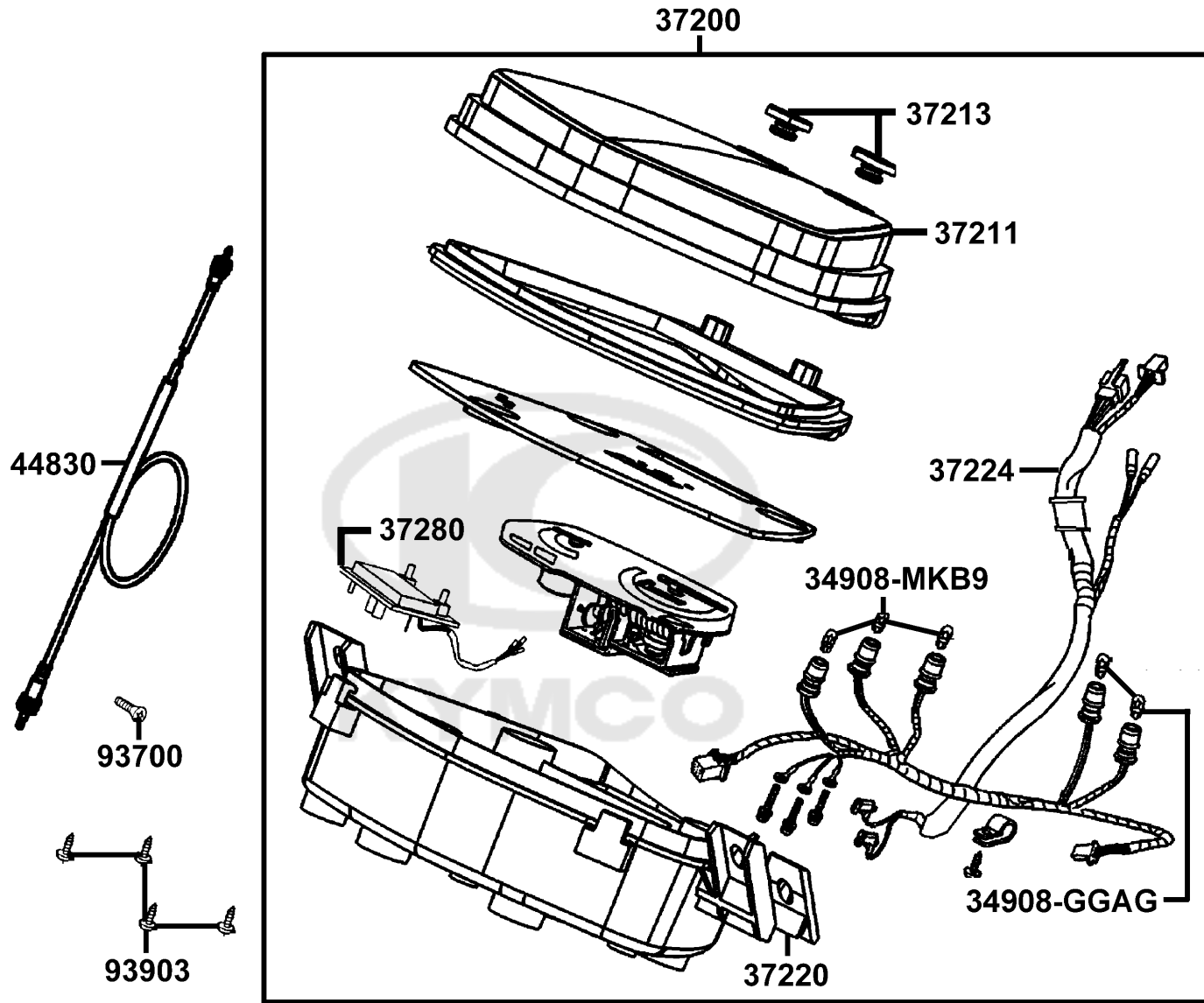
F01

Head Light



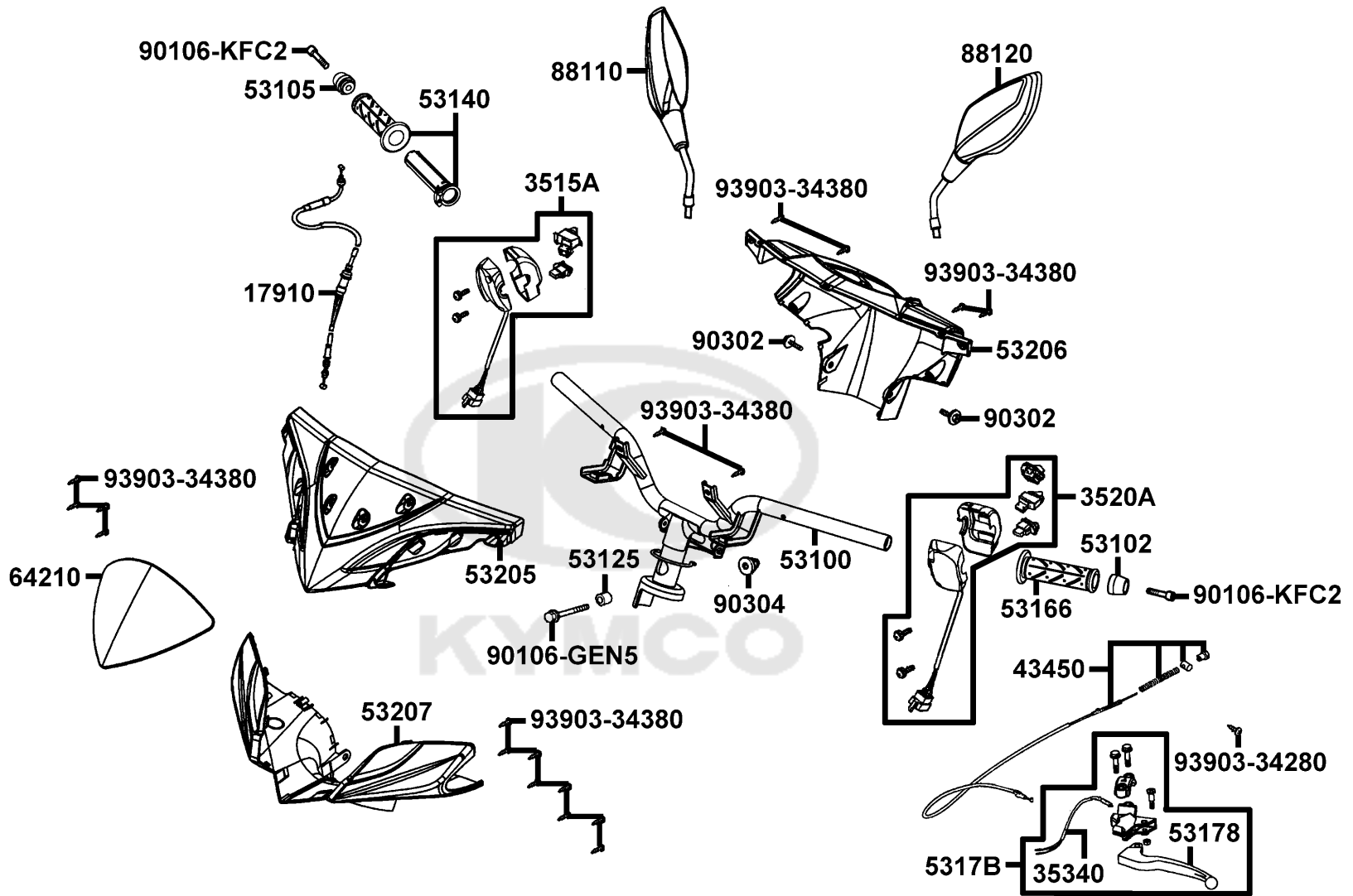
Sales mark	Ref no	Part no	Description	Reg description	Regd no	<b>F01</b>
	33100	33100-ALG1-E10	LIGHT ASSY HEAD	LIGHT ASSY HEAD	1	
	33120	33120-ALG1-E10	UNIT HEAD LIGHT	UNIT HEAD LIGHT	1	
	33130	33130-ALG1-E10	SOCKET COMP	SOCKET COMP	1	
	34901	34901-KKA8-C00	BULB HEAD LIGHT	BULB HEAD LIGHT	2	
	34903	34903-ALG1-E10	BULB POSITION	BULB POSITION	2	
	93903-34380	93903-34380	BOLT FLANGE	BOLT FLANGE	4	
	93903-35220	93903-35220	SCREW TAPPING 5*12	SCREW TAPPING 5*12	2	





Sales mark	Ref no	Part no	Description	Reg description	Regd no	F02
	34908-GGAG	34908-GGAG-70A	BULB WEDGE BASE T10	BULB WEDGE BASE T10	2	
	34908-MKB9	34908-MKB9-C00	BULB WEDGE BASE T10	BULB WEDGE BASE T10	3	
	37200	37200-ALG2-E10	METER ASSY SPEED	METER ASSY SPEED	1	
	37211	37211-LEJ2-E0A	LENS COMP METER	LENS COMP METER	1	
	37213	37213-LEJ2-E0A	BUTTON ADJUST	BUTTON ADJUST	2	
	37220	37220-LEJ2-E0A	CASE ASSY	CASE ASSY	1	
	37224	37224-ALG2-E10	METER CORD COMP	METER CORD COMP	1	
	37280	37280-LEJ2-E0A	LCD ASSY (LOCK)/XD	LCD ASSY (LOCK)/XD	1	
	44830	44830-LCD3-C00	CABLE COMP SPDMT	CABLE COMP SPDMT	1	
	93700	93700-05018-0H	SCREW OVAL 5*18 ?	SCREW OVAL 5*18 ?	1	
	93903	93903-35220	SCREW TAPPING 5*12	SCREW TAPPING 5*12	4	

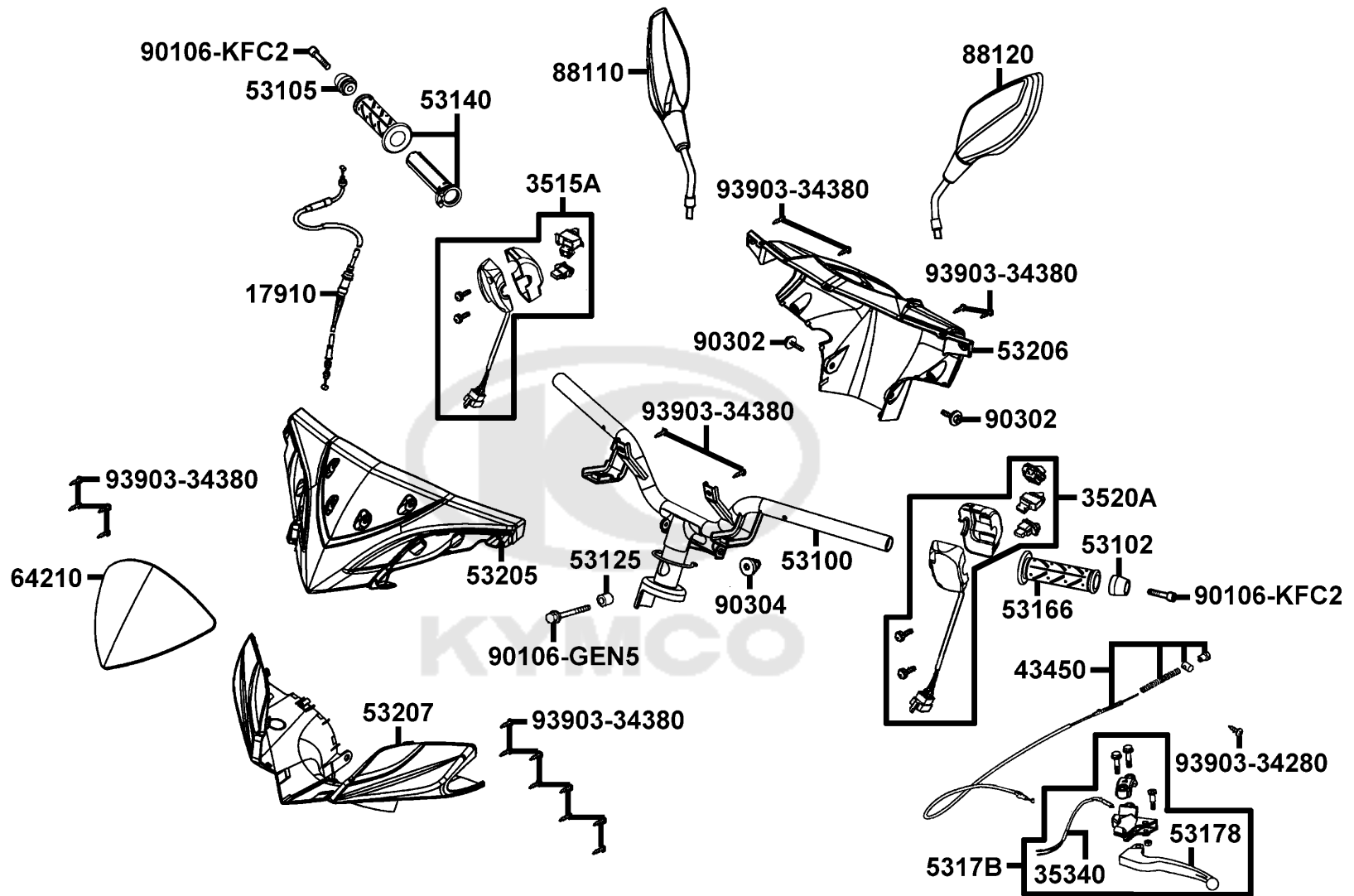
Handle Steering Handle Cover



Sales mark	Ref no	Part no	Description	Reg description	Regd no	F03
	17910	17910-LHB3-E10	CABLE COMP THROT	CABLE COMP THROT	1	
	3515A	3515A-LGB5-E10	SW ASSY RH HANDLE COMP	SW ASSY RH HANDLE COMP	1	
	3520A	3520A-LGB5-E10	SW ASSY LH HANDLE COMP	SW ASSY LH HANDLE COMP	1	
	35340	35340-KKJ9-C00	SW ASSY FR STOP	SW ASSY FR STOP	1	
	43450	43450-LHB3-E10	CABLE COMPRR BRK	CABLE COMPRR BRK	1	
	53100	53100-LEJ2-E10	HANDLE COMP STRG	HANDLE COMP STRG	1	
	53102	53102-LFC3-E10	"END,L HANDLE"	"END,L HANDLE"	1	
	53105	53105-LFC3-E10	"END,R HANDLE"	"END,R HANDLE"	1	
	53125	53125-GEN5-C00	COLLAR HANDLE SET	COLLAR HANDLE SET	1	
	53140	53140-LEJ2-E10	GRIP COMP THROT	GRIP COMP THROT	1	
	53166	53166-LEJ2-E10	GRIP L HANDLE	GRIP L HANDLE	1	
**	53178	53178-LCD1-C00	LEVER STEERING HANDLE	LEVER STEERING HANDLE	1	
	5317B	5317B-LCD1-C00	BRKT ASSY HNDL LH	BRKT ASSY HNDL LH	1	
**	53205	53205-ALG1-E10	COVER HANDLE FR	COVER HANDLE FR	1	
**	53206	53206-LEJ2-E10	COVER HANDLE RR	COVER HANDLE RR	1	
**	53207	53207-ALG1-E10	COVER FR HANDLE LOW	COVER FR HANDLE LOW	1	
	64210	64210-ALG1-E10	ASSY METER VISOR	ASSY METER VISOR	1	
	88110	88110-ALG1-E11	MIRROR ASSY R BACK	MIRROR ASSY R BACK	1	
	88120	88120-ALG1-E11	MIRROR ASSY L BACK	MIRROR ASSY L BACK	1	
	90106-GEN5	90106-GEN5-901	BOLT FLANGE 10*50	BOLT FLANGE 10*50	1	



Handle Steering Handle Cover



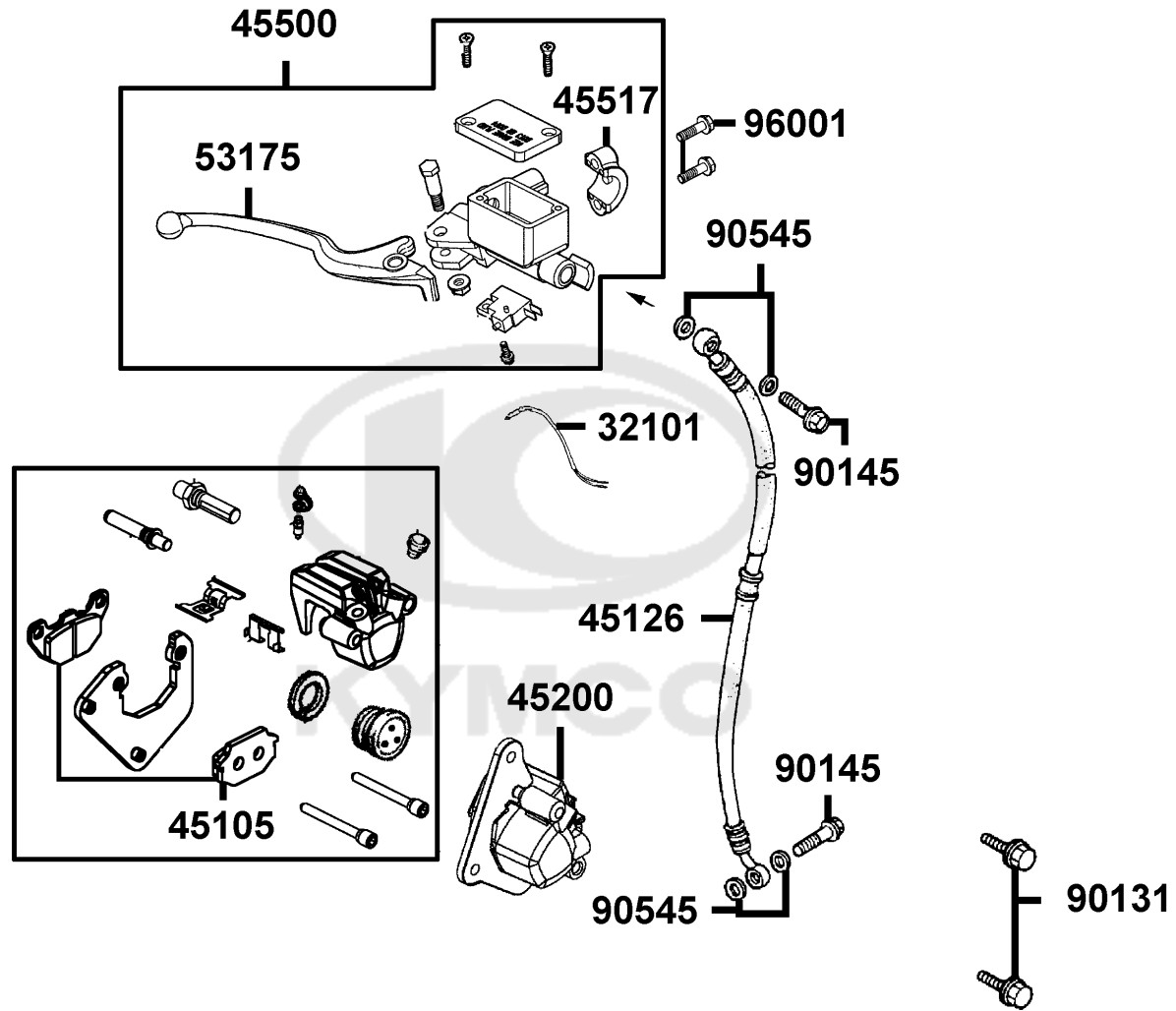
Sales mark	Ref no	Part no	Description	Reg description	Regd no	<b>F03</b>
------------	--------	---------	-------------	-----------------	---------	------------

90106-KFC2	90106-KFC2-900	90106-KFC2-900	BOLT-WASH. 8MM	BOLT-WASH. 8MM	2	
90302	90302-GFY6-C00	90302-GFY6-C00	BOLT-WASH 5*12	BOLT-WASH 5*12	2	
90304	90304-GHE8-C00	90304-GHE8-C00	NUT U 10MM (C)	NUT U 10MM (C)	1	
93903-34280	93903-34280	93903-34280	SCREW TAPPING 4*10	SCREW TAPPING 4*10	1	
93903-34380	93903-34380	93903-34380	BOLT FLANGE	BOLT FLANGE	4	

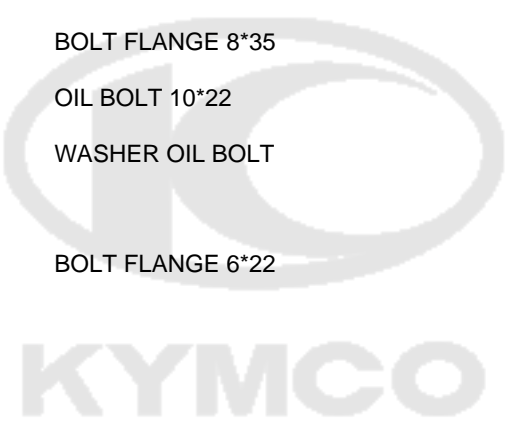


F04

Brake Master Cylinder

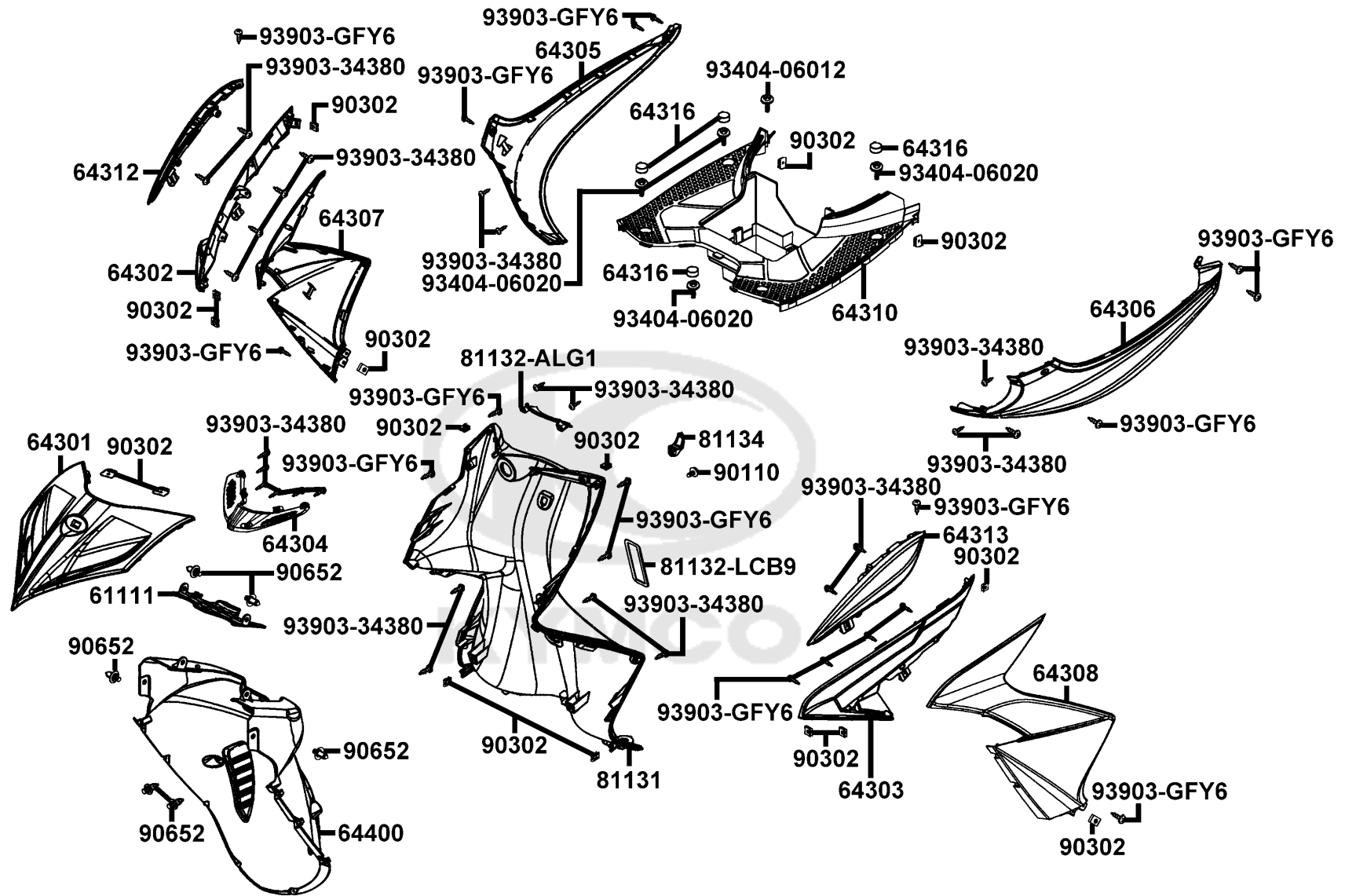


Sales mark	Ref no	Part no	Description	Reg description	Regd no	<b>F04</b>
	32101	32101-GFY6-C00	SUB CORD R/L	SUB CORD R/L	1	
	45105	45105-LEJ2-306	PAD COMP A+B	PAD COMP A+B	2	
	45126	45126-LEJ2-E10	HOSE ASSY FR BRAKE	HOSE ASSY FR BRAKE	1	
	45200	45200-LEJ2-E80	CALIPER ASSY FR LH	CALIPER ASSY FR LH	1	
	45500	45500-LDC8-E10	M/C ASSY FR	M/C ASSY FR	1	
	45517	45517-KFAF-910	HOLDER M/C	HOLDER M/C	1	
**	53175	53175-LDC8-E10	LEVER R STRG HNDL	LEVER R STRG HNDL	1	
	90131	90131-GLW0-C00	BOLT FLANGE 8*35	BOLT FLANGE 8*35	1	
	90145	90145-9A61-C00	OIL BOLT 10*22	OIL BOLT 10*22	1	
	90545	90545-3L00-C00	WASHER OIL BOLT	WASHER OIL BOLT	1	
	96001	96001-06022-08	BOLT FLANGE 6*22	BOLT FLANGE 6*22	1	



F05

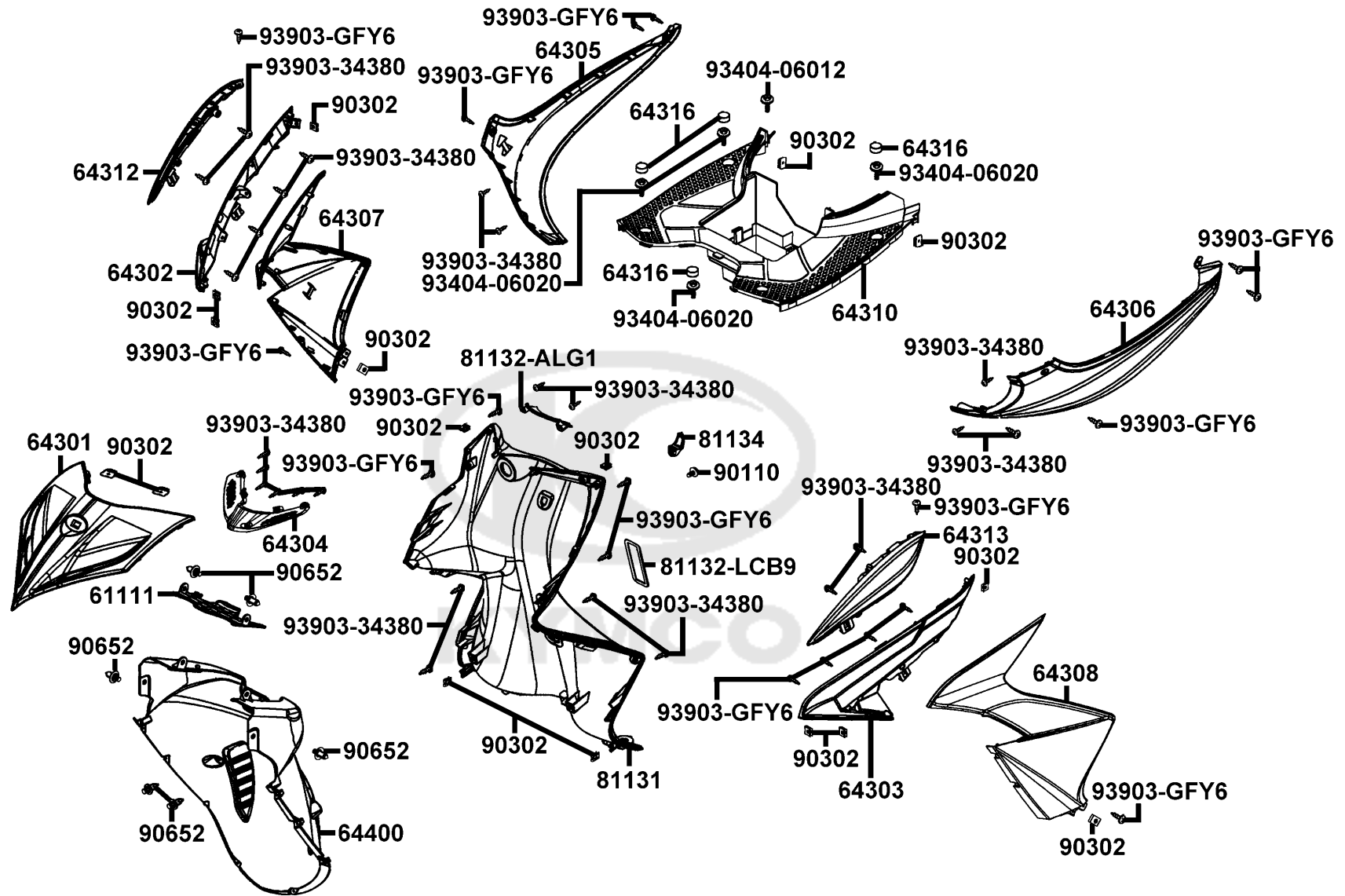
Front Cover Front Fender




Sales mark	Ref no	Part no	Description	Reg description	Regd no	F05
**	61111	61111-ALG1-E10	FENDER INNER A FR	FENDER INNER A FR	1	
**	64301	64301-ALG1-E10	COVER FR	COVER FR	1	
**	64302	64302-ALG1-E10	MOLE R SIDE	MOLE R SIDE	1	
**	64303	64303-ALG1-E10	MOLDING L SIDE	MOLDING L SIDE	1	
**	64304	64304-ALG1-E10	GRILL FR COVER	GRILL FR COVER	1	
**	64305	64305-LEJ2-E10	SKIRT R SIDE	SKIRT R SIDE	1	
**	64306	64306-LEJ2-E10	SKIRT L SIDE	SKIRT L SIDE	1	
**	64307	64307-ALG1-E10	COVER R SIDE MOLD	COVER R SIDE MOLD	1	
**	64308	64308-ALG1-E10	COVER L SIDE MOLD	COVER L SIDE MOLD	1	
**	64310	64310-LEJ2-E10	FLOOR PANEL	FLOOR PANEL	1	
**	64312	64312-ALG1-E10	COVER A R SIDE FR	COVER A R SIDE FR	1	
**	64313	64313-ALG1-E10	COVER A L SIDE FR	COVER A L SIDE FR	1	
	64316	64316-LCB9-C10	PLUG FLOOR	PLUG FLOOR	4	
**	64400	64400-ALG1-E10	COWL UNDER	COWL UNDER	1	
**	81131	81131-ALG1-E10	LEG SHIELD	LEG SHIELD	1	
**	81132-ALG1	81132-ALG1-E10	LID LEG SHIELD	LID LEG SHIELD	1	
**	81132-LCB9	81132-LCB9-C10	LID LEG SHIELD	LID LEG SHIELD	1	
	81134	81134-KGBG-C00	HOOK LUGGAGE	HOOK LUGGAGE	1	
	90110	90110-GLW0-C00	SCREW SPECIAL 6*14	SCREW SPECIAL 6*14	1	
	90302	90302-SDA4-C00	NUT SPRING 4MM	NUT SPRING 4MM	1	

F05

Front Cover Front Fender

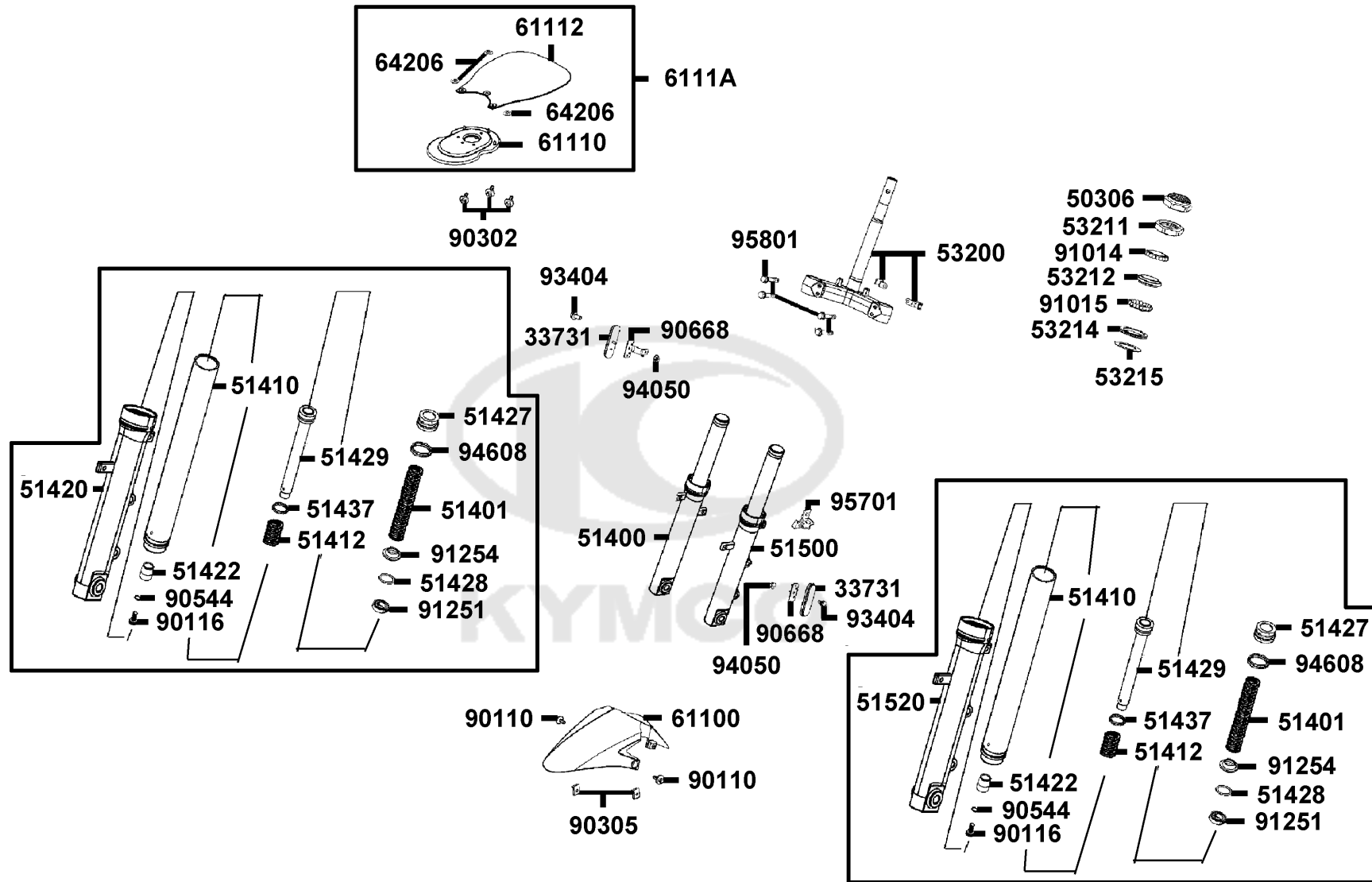


Sales mark	Ref no	Part no	Description	Reg description	Regd no	<b>F05</b>
	90652	90652-LCA4-C10	CLIP MUDGUARD	CLIP MUDGUARD	2	
	93404-06012	93404-06012-07	BOLT WASHER 6*12(K)	BOLT WASHER 6*12(K)	2	
	93404-06020	93404-06020-07	BOLT WASHER 6*20(K)	BOLT WASHER 6*20(K)	4	
	93903-34380	93903-34380	BOLT FLANGE	BOLT FLANGE	38	
	93903-GFY6	93903-GFY6-C00	SCREW TAPPING 4*14	SCREW TAPPING 4*14	1	
						



F06

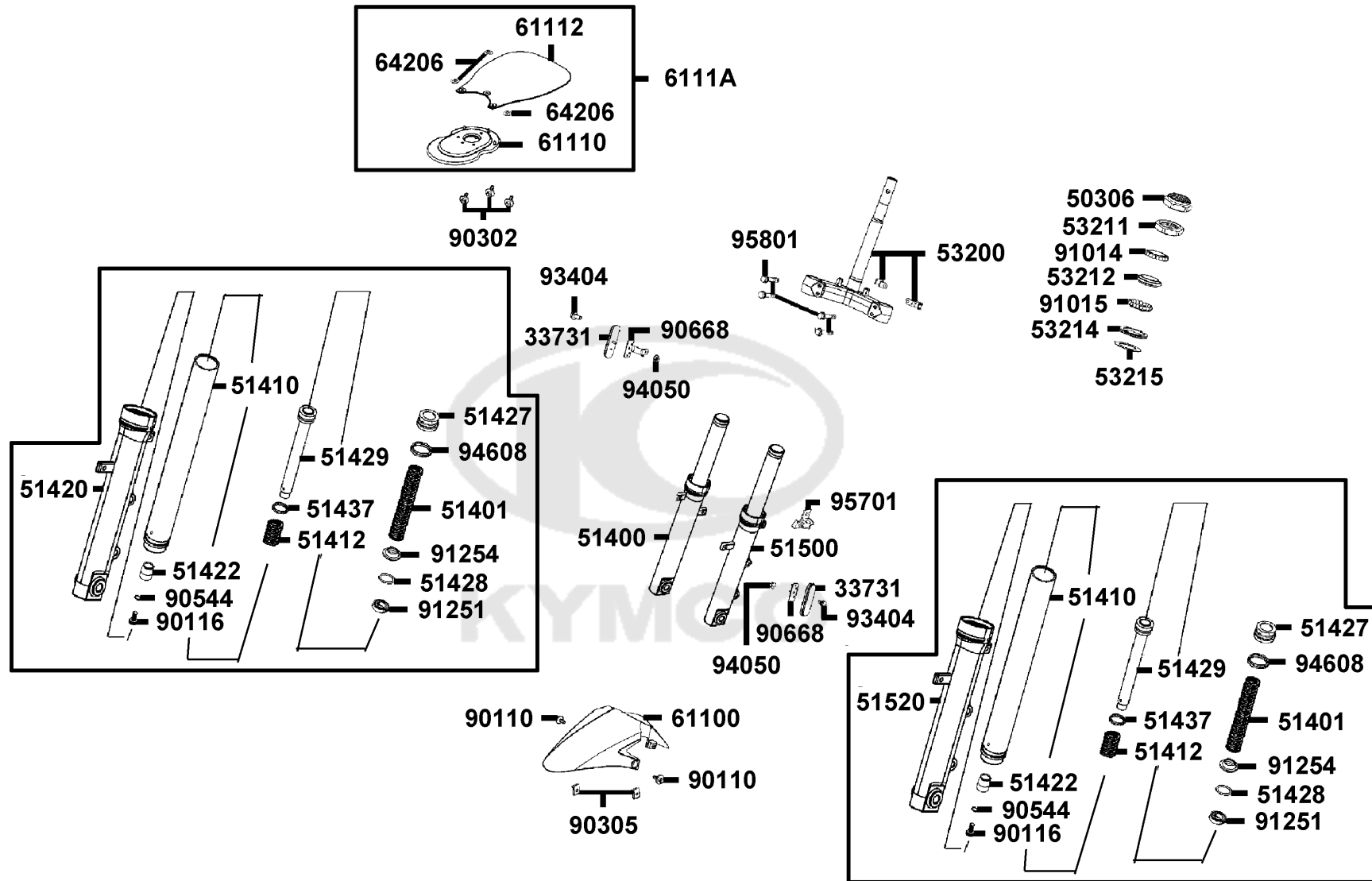
# Stem Steering Front Cushion



Sales mark	Ref no	Part no	Description	Reg description	Regd no	F06
	33731	33731-KGB5-C00	"REFLEX REFLECTOR,SIDE"	"REFLEX REFLECTOR,SIDE"	2	
	50306	50306-1F96-C00	NUT STRG STEM LOCK	NUT STRG STEM LOCK	1	
**	51400	51400-LEJ2-E10	FORK ASSY RH FR	FORK ASSY RH FR	1	
	51401	51401-LEJ2-E10	SPRING	SPRING	1	
	51410	51410-LEJ2-E10	FORK PIPE COMP	FORK PIPE COMP	1	
	51412	51412-LEJ2-E10	REBOUND SPRING	REBOUND SPRING	1	
**	51420	51420-LEJ2-E10	BOTTOM CASE R	BOTTOM CASE R	1	
	51422	51422-LEJ2-E10	OIL LOCK PIECE	OIL LOCK PIECE	1	
	51427	51427-LEJ2-E10	FORK BOLT	FORK BOLT	1	
	51428	51428-LEJ2-E10	OIL SEAL STOPPER RING	OIL SEAL STOPPER RING	1	
	51429	51429-LEJ2-E10	PIPE SEAT	PIPE SEAT	1	
	51437	51437-LEJ2-E10	PISTON RING	PISTON RING	1	
**	51500	51500-LEJ2-E10	FORK ASSY LH FR	FORK ASSY LH FR	1	
**	51520	51520-LEJ2-E10	BOTTOM CASE LH	BOTTOM CASE LH	1	
	53200	53200-LEJ2-E10	STEM COMP STRG	STEM COMP STRG	1	
	53211	53211-GFY6-C00	RACE STRG TOP CONE	RACE STRG TOP CONE	1	
	53212	53212-2L50-C00	RACE (STRG BOTTOM) CONE	RACE (STRG BOTTOM) CONE	1	
	53214	53214-2L50-C00	DUST SEAL STRG HEAD	DUST SEAL STRG HEAD	1	
	53215	53215-2L50-C00	WASHER STRG HDL DUST-SEAL	WASHER STRG HDL DUST-SEAL	1	
**	61100	61100-LEJ2-E10	FENDER FR	FENDER FR	1	

F06

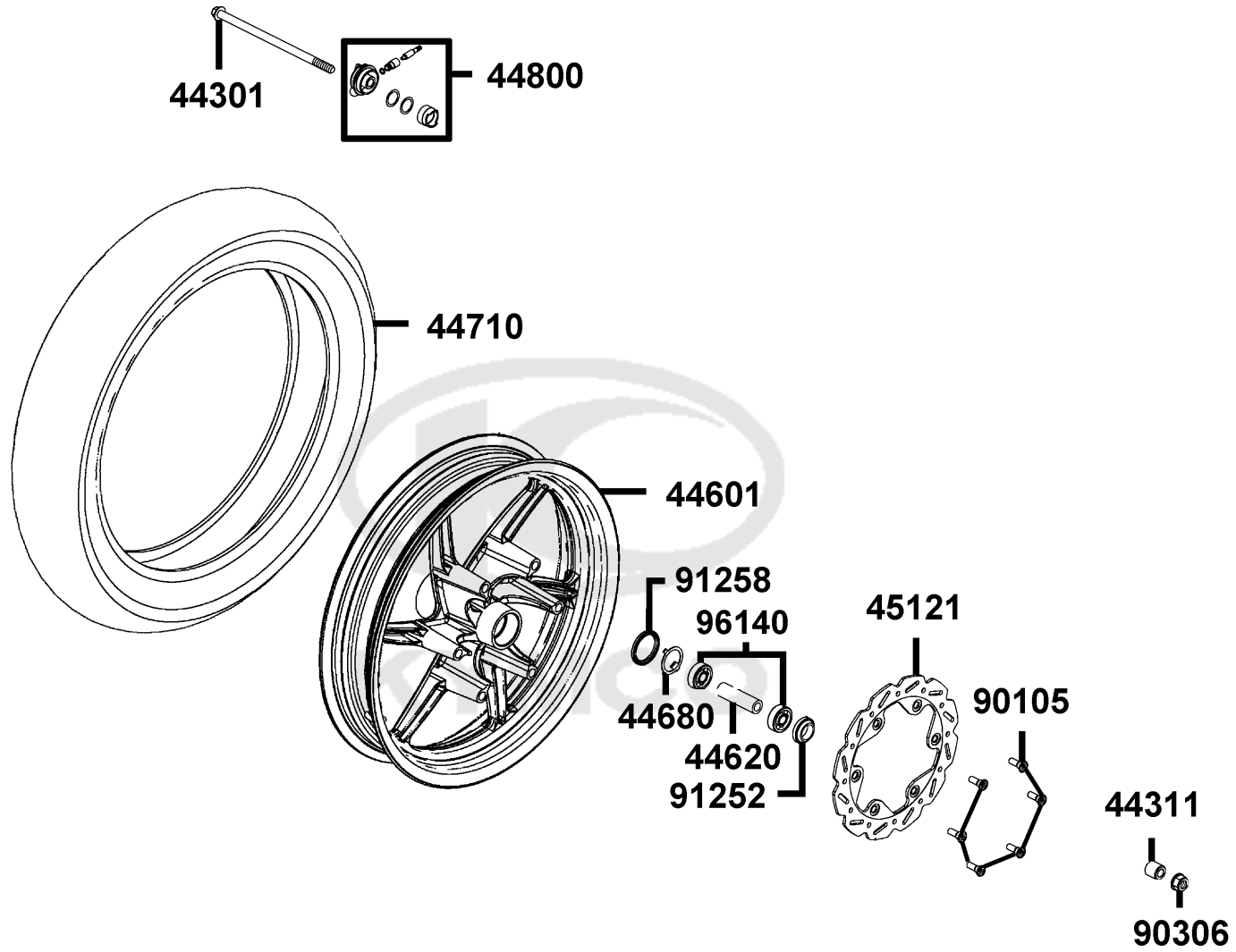
# Stem Steering Front Cushion



Sales mark	Ref no	Part no	Description	Reg description	Regd no	F06
61110		61110-LDC8-E90	FENDER FR INNER	FENDER FR INNER	1	
61112		61112-LDC8-E90	PLATE FR INNER SPLASH GUARD	PLATE FR INNER SPLASH GUARD	1	
6111A		6111A-LDC8-E90	FENDER ASSY FR INNER	FENDER ASSY FR INNER	1	
64206		64206-MLJ0-C00	NUT SPEED 4MM	NUT SPEED 4MM	1	
90110		90110-KEB7-C00	SCREW SPECIAL 6*14	SCREW SPECIAL 6*14	1	
90116		90116-LEJ2-E10	BOLT	BOLT	1	
90302		90302-GFY6-C00	BOLT-WASH 5*12	BOLT-WASH 5*12	3	
90305		90305-GHK8-C00	NUT CLIP 6MM	NUT CLIP 6MM	1	
90544		90544-LEJ2-E10	PACKINGCUB	PACKINGCUB	1	
90668		90668-LEJ2-E10	STAY SIDE REFLECTOR	STAY SIDE REFLECTOR	2	
91014		91014-LLJ3-C00	CAGE STRG TOPP	CAGE STRG TOPP	1	
91015		91015-LLJ3-C00	CAGE STRG BOT	CAGE STRG BOT	1	
91251		91251-LEJ2-E10	OIL SEAL	OIL SEAL	1	
91254		91254-LEJ2-E10	DUST SEAL	DUST SEAL	1	
93404		93404-06030-07	BOLT WASHER 6*30K	BOLT WASHER 6*30K	1	
94050		94050-05080	NUT FLANGE 5MM	NUT FLANGE 5MM	2	
94608		94608-LEJ2-E10	O-RING B	O-RING B	1	
95701		95701-06012-08	BOLT FLANGE 6*12	BOLT FLANGE 6*12	1	
95801		95801-08040-08	BOLT FLANGE 8*40 (C)	BOLT FLANGE 8*40 (C)	4	

F07

Front Wheel



Sales mark	Ref no	Part no	Description	Reg description	Regd no	F07
	44301	44301-LEJ2-E10	AXLE FR WHEEL	AXLE FR WHEEL	1	
	44311	44311-KHB4-C00	COLLAR FR WHEEL SIDE	COLLAR FR WHEEL SIDE	1	
**	44601	44601-LEJ3-E10	WHEEL CAST FR	WHEEL CAST FR	1	
	44620	44620-KFLF-C00	COLLAR FR DIST	COLLAR FR DIST	1	
	44680	44680-4L10-C00	RETAINER GEAR BOX	RETAINER GEAR BOX	1	
	44710	44710-LEJ3-E11	TIRE ASSY FR	TIRE ASSY FR	1	
	44800	44800-LKD1-E10	GEAR BOX ASSY SPDMT	GEAR BOX ASSY SPDMT	1	
	45121	45121-LEJ2-E80	DISK FR BRK	DISK FR BRK	1	
	90105	90105-KCR3-001	BOLT FR DISK 8*24	BOLT FR DISK 8*24	6	
	90306	90306-KLF0-C00	NUT FLANGE 12MM	NUT FLANGE 12MM	1	
	91252	91252-0L30-004	OIL SEAL WHEEL 23*37*7	OIL SEAL WHEEL 23*37*7	1	
	91258	91258-4L10-007	DUST SEAL 40*50*5	DUST SEAL 40*50*5	1	
	96140	96140-63010-10	BEARING BALL RADIAL 6301	BEARING BALL RADIAL 6301	1	

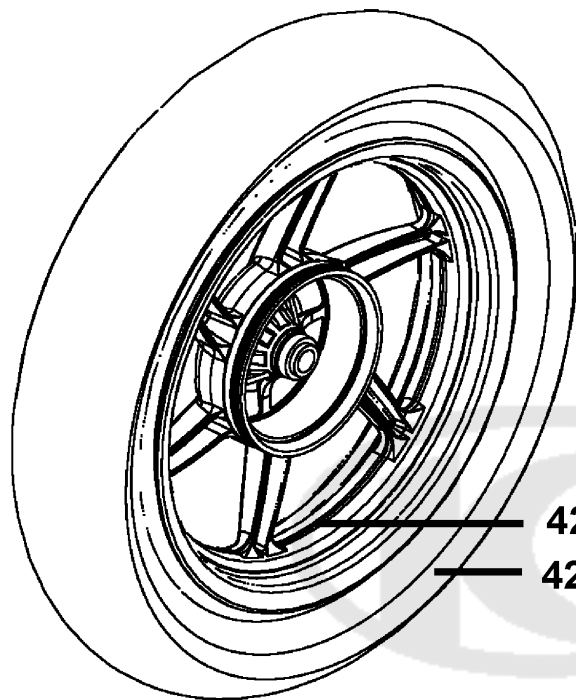
F08

Rear Wheel

90305



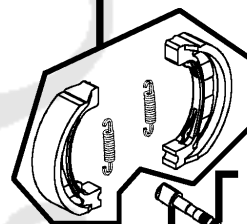
90501



42601

42710

4312A



43472



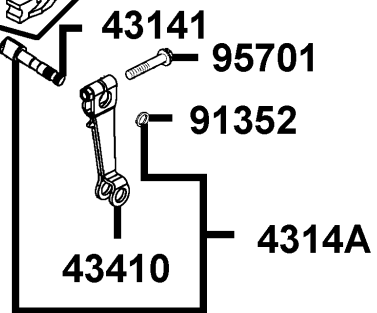
43141

95701

91352

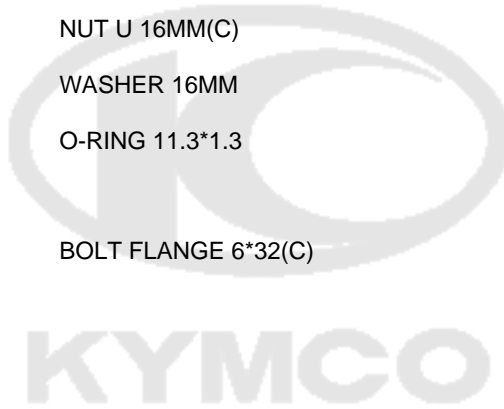
43410

4314A



KYMCO

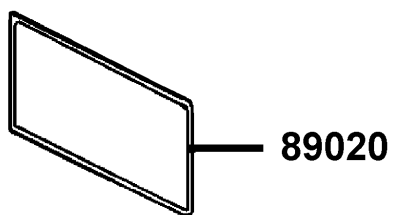
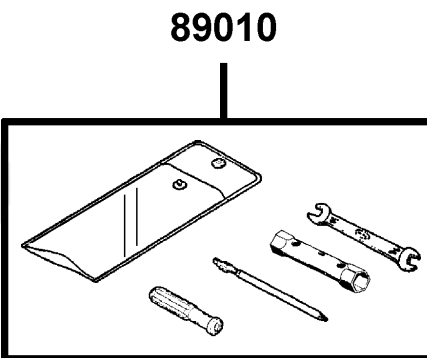
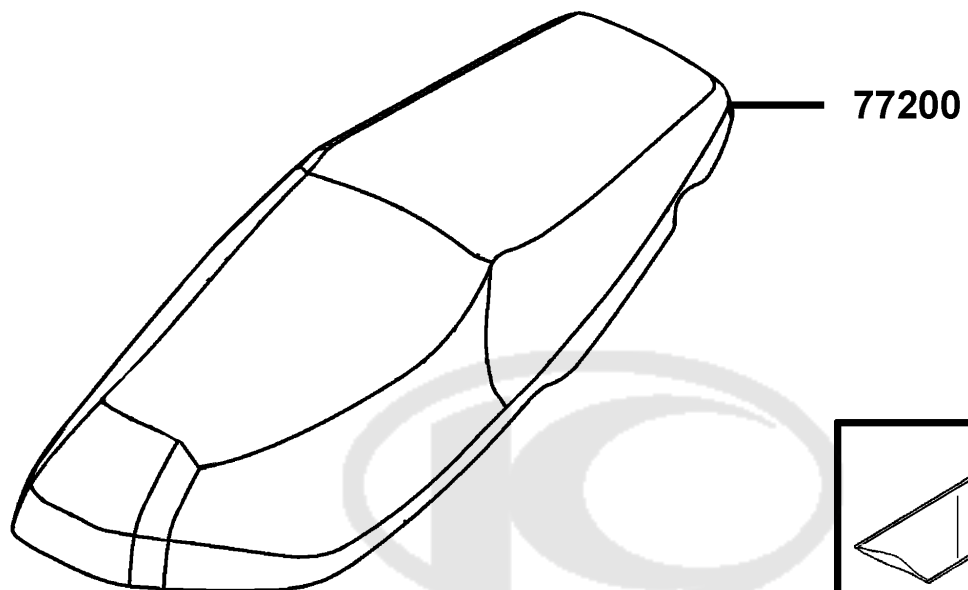
Sales mark	Ref no	Part no	Description	Reg description	Regd no	F08
**	42601	42601-LEJ2-E10	"WHEEL CAST,RR"	"WHEEL CAST,RR"	1	
	42710	42710-LEJ3-E11	TIRE ASSY RR	TIRE ASSY RR	1	
	4312A	4312A-KUDU-C00	SHOE ASSY RR BRAKE	SHOE ASSY RR BRAKE	1	
	43141	43141-LCD3-E00	CAM RR BRAKE	CAM RR BRAKE	1	
	4314A	4314A-LCD3-E00	CAM ASSY RR BRAKE	CAM ASSY RR BRAKE	1	
	43410	43410-LHB3-E10	ARM REAR BRAKE	ARM REAR BRAKE	1	
	43472	43472-LEJ3-E10	SPG RR BRK ARM	SPG RR BRK ARM	1	
	90305	90305-KNBN-C00	NUT U 16MM(C)	NUT U 16MM(C)	1	
	90501	90501-KNBN-C00	WASHER 16MM	WASHER 16MM	1	
	91352	91352-KHG8-83A	O-RING 11.3*1.3	O-RING 11.3*1.3	1	
	95701	95701-06032-08	BOLT FLANGE 6*32(C)	BOLT FLANGE 6*32(C)	1	





F09

Seat



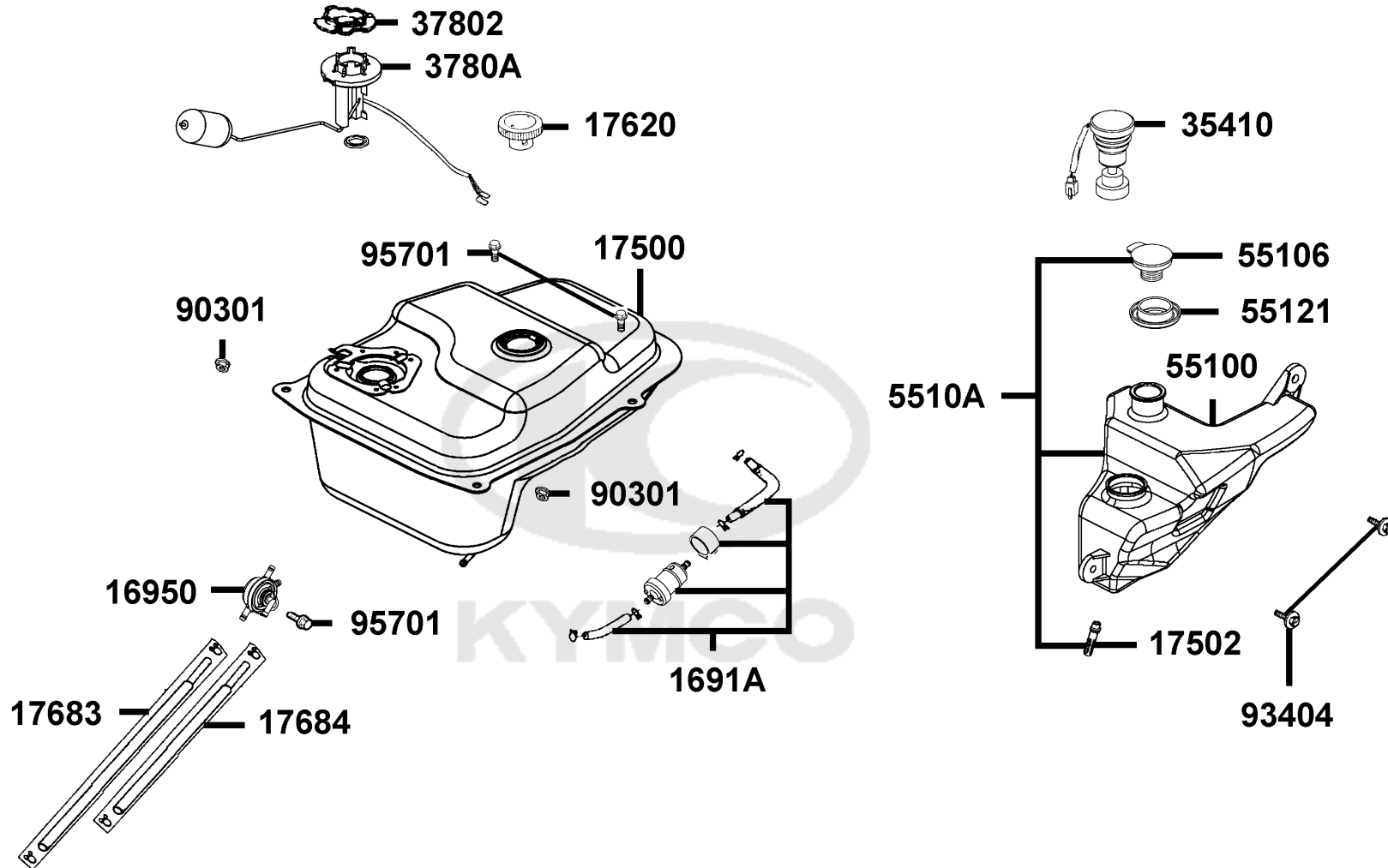
Sales mark	Ref no	Part no	Description	Reg description	Regd no	<b>F09</b>
------------	--------	---------	-------------	-----------------	---------	------------

**	77200	77200-LEJ2-E10	SEAT ASSY	SEAT ASSY	1	
	89010	89010-GGS7-C10	TOOL SET	TOOL SET	1	
	89020	89020-KKC4-900	BAND TOOL SET	BAND TOOL SET	1	
	94050	94050-06080	NUT FLANG 6MM	NUT FLANG 6MM	2	



F10

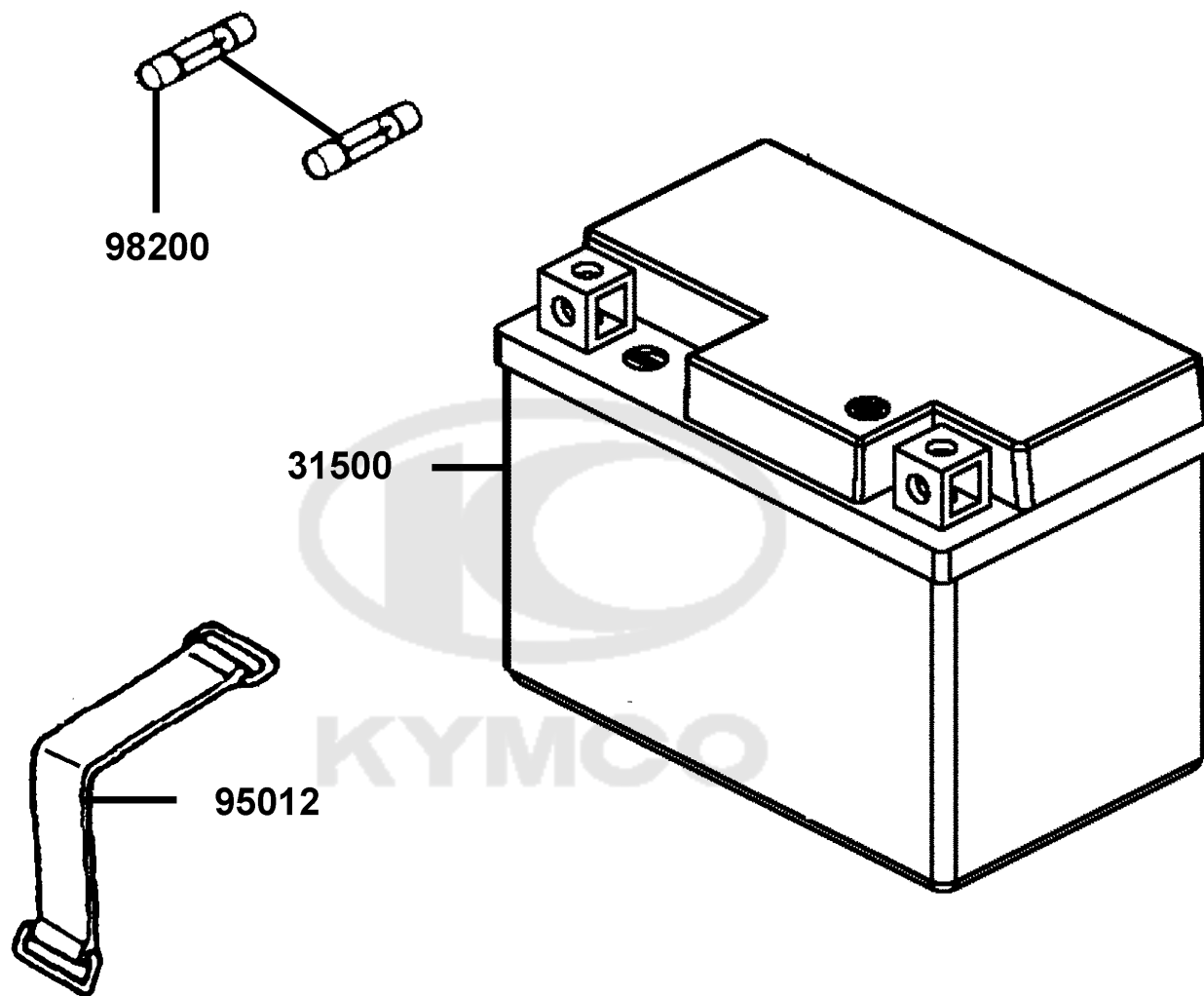
Fuel Tank



Sales mark	Ref no	Part no	Description	Reg description	Regd no	F10
1691A		1691A-LEJ2-E10	STRAINER ASSY FUEL	STRAINER ASSY FUEL	1	
16950		16950-LKL5-E30	AUTO COCK ASSY FUEL	AUTO COCK ASSY FUEL	1	
17500		17500-LEJ2-E10	TANK COMP FUEL	TANK COMP FUEL	1	
17502		17502-1G87-001	OIL STRAINER	OIL STRAINER	1	
17620		17620-LBA8-C10	CAP FUEL FILLER	CAP FUEL FILLER	1	
17683		17683-LHB3-E10	TUBE ASSY	TUBE ASSY	1	
17684		17684-LHB3-E10	TUBE ASSY VACUM	TUBE ASSY VACUM	1	
35410		35410-LHB3-E10	SW COMP OIL LEVEL	SW COMP OIL LEVEL	1	
37802		37802-GGA7-C00	RET FUEL UNIT	RET FUEL UNIT	1	
3780A		3780A-LEJ2-E10	FUEL UNIT ASSY	FUEL UNIT ASSY	1	
55100		55100-LHB3-E10	TANK OIL	TANK OIL	1	
55106		55106-KEB7-C00	CAP TANK OIL	CAP TANK OIL	1	
5510A		5510A-LHB3-E10	TANK ASSY OIL	TANK ASSY OIL	1	
55121		55121-LCD1-C00	RUBBER OIL GUIDE	RUBBER OIL GUIDE	1	
90301		90301-LEJ2-E10	NUT FLANGE 6mm	NUT FLANGE 6mm	2	
93404		93404-06016-07	BOTL WASHER 6*16(K)	BOTL WASHER 6*16(K)	2	
95701		95701-06012-08	BOLT FLANGE 6*12	BOLT FLANGE 6*12	3	

F11

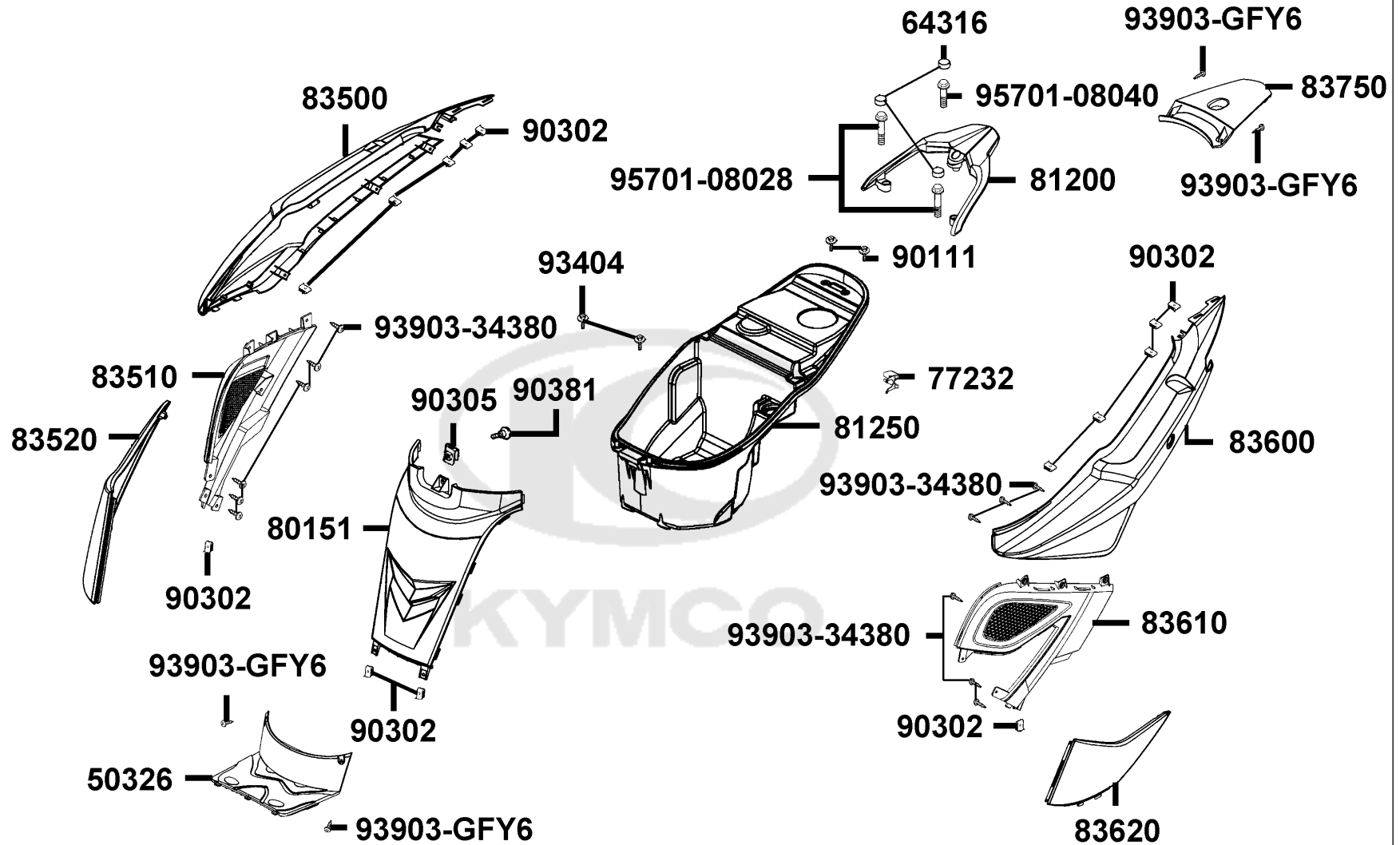
Battery



Sales mark	Ref no	Part no	Description	Reg description	Regd no	<b>F11</b>
------------	--------	---------	-------------	-----------------	---------	------------

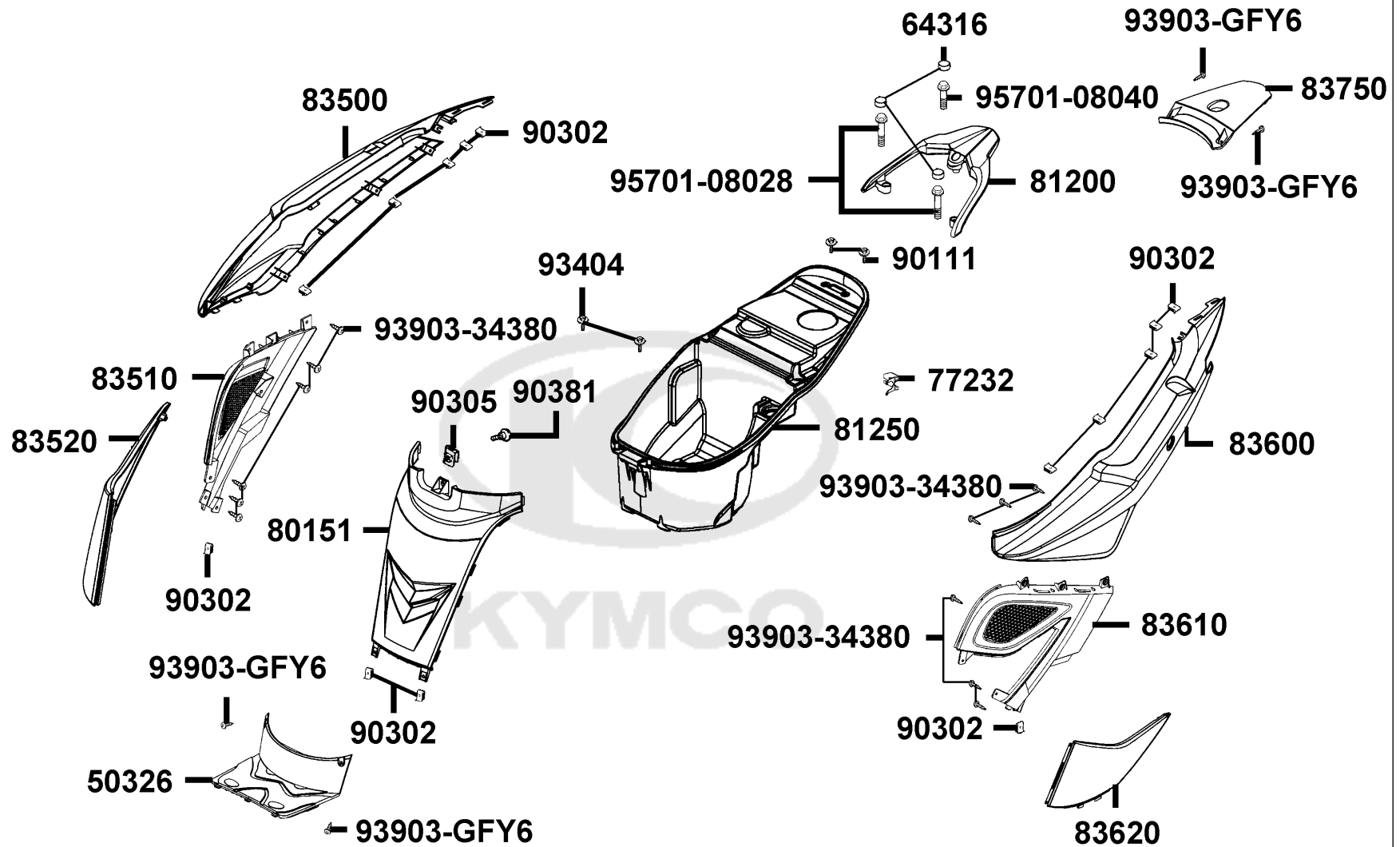
31500		31500-GFY6-C00	BATTERY GTX6L-BS	BATTERY GTX6L-BS	1	
95012		95012-LEJ2-E10	BAND BATTERY	BAND BATTERY	1	
98200		98200-10700	FUSE A7	FUSE A7	2	





Sales mark	Ref no	Part no	Description	Reg description	Regd no	F12
**	50326	50326-LEJ2-E10	COVER BATTERY	COVER BATTERY	1	
	64316	64316-LCB9-C10	PLUG FLOOR	PLUG FLOOR	3	
	77232	77232-KCAC-C00	SET SPG SEAT LOCK	SET SPG SEAT LOCK	1	
**	80151	80151-LEJ2-E10	COVER CENTER	COVER CENTER	1	
**	81200	81200-LEJ3-E10	CARRIER RR	CARRIER RR	1	
**	81250	81250-LHB3-E10	LUGGAGE BOX	LUGGAGE BOX	1	
**	83500	83500-LEJ2-E10	COVER R BODY	COVER R BODY	1	
**	83510	83510-LEJ2-E10	COVER R SIDE A	COVER R SIDE A	1	
**	83520	83520-LEJ2-E10	COVER R SIDE B	COVER R SIDE B	1	
**	83600	83600-LEJ2-E10	COVER L BODY	COVER L BODY	1	
**	83610	83610-LEJ2-E10	COVER L SIDE A	COVER L SIDE A	1	
**	83620	83620-LEJ2-E10	COVER L SIDE B	COVER L SIDE B	1	
**	83750	83750-LEJ2-E10	COVER RR CENTER	COVER RR CENTER	1	
	90111	90111-1G87-C00	BOLT FLANGE 6MM	BOLT FLANGE 6MM	1	
	90302	90302-SDA4-C00	NUT SPRING 4MM	NUT SPRING 4MM	1	
	90305	90305-GHK8-C00	NUT CLIP 6MM	NUT CLIP 6MM	1	
	90381	90381-GEZ5-C00	SCREW SPECIAL 6*17	SCREW SPECIAL 6*17	1	
	93404	93404-06016-07	BOTL WASHER 6*16(K)	BOTL WASHER 6*16(K)	2	
	93903-34380	93903-34380	BOLT FLANGE	BOLT FLANGE	12	
	93903-GFY6	93903-GFY6-C00	SCREW TAPPING 4*14	SCREW TAPPING 4*14	1	

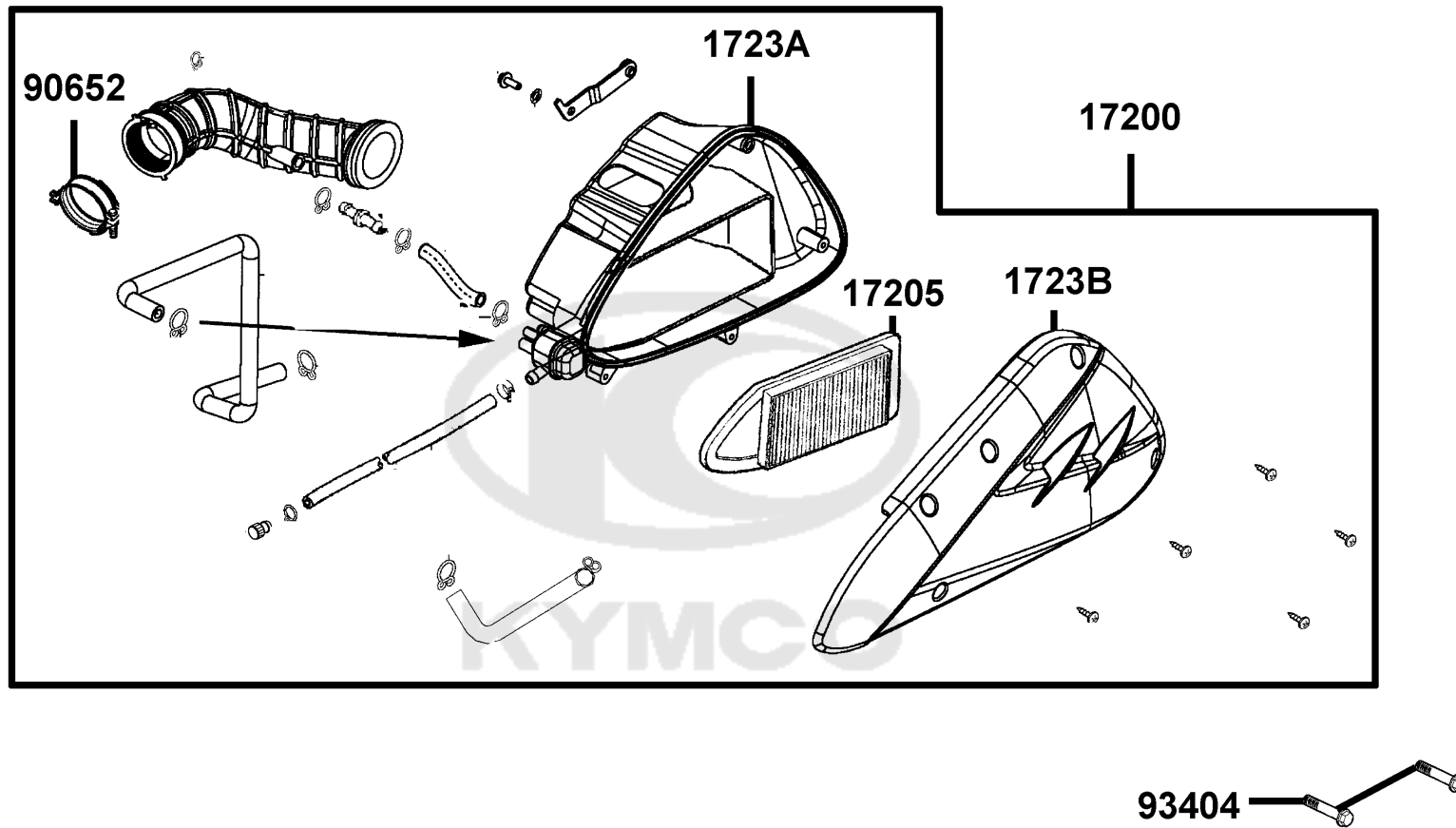




Sales mark	Ref no	Part no	Description	Reg description	Regd no	<b>F12</b>
------------	--------	---------	-------------	-----------------	---------	------------

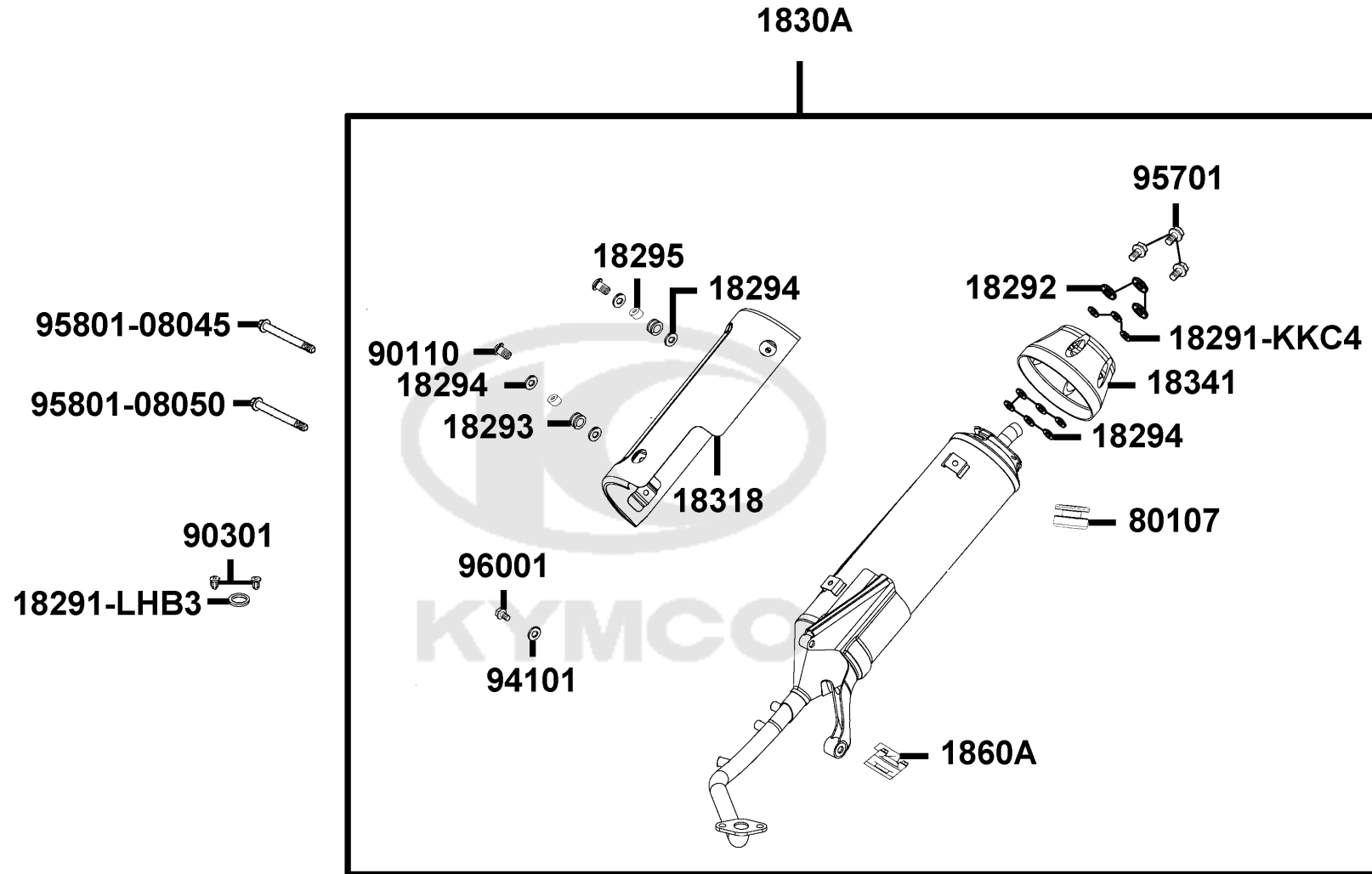
95701-08028		95701-08028-08	BOLT FLANGE 8*28	BOLT FLANGE 8*28	2	
95701-08040		95701-08040-08	BOLT FLANGE 8*40 (C)	BOLT FLANGE 8*40 (C)	1	





Sales mark	Ref no	Part no	Description	Reg description	Regd no	<b>F13</b>
	17200	17200-LCD1-C00	AIR/C ASSY	AIR/C ASSY	1	
	17205	17205-KFA6-C00	ELEMENT AIR/C	ELEMENT AIR/C	1	
	1723A	1723A-LCD1-C00	CASE ASSY AIR/C	CASE ASSY AIR/C	1	
	1723B	1723B-LCD1-C00	COVER COMP AIR/C	COVER COMP AIR/C	1	
	90652	90652-KTCT-C00	BAND 44 AIR/C CONN TUBE	BAND 44 AIR/C CONN TUBE	1	
	93404	93404-06040-07	BOLT WASHER 6*40 (K)	BOLT WASHER 6*40 (K)	2	

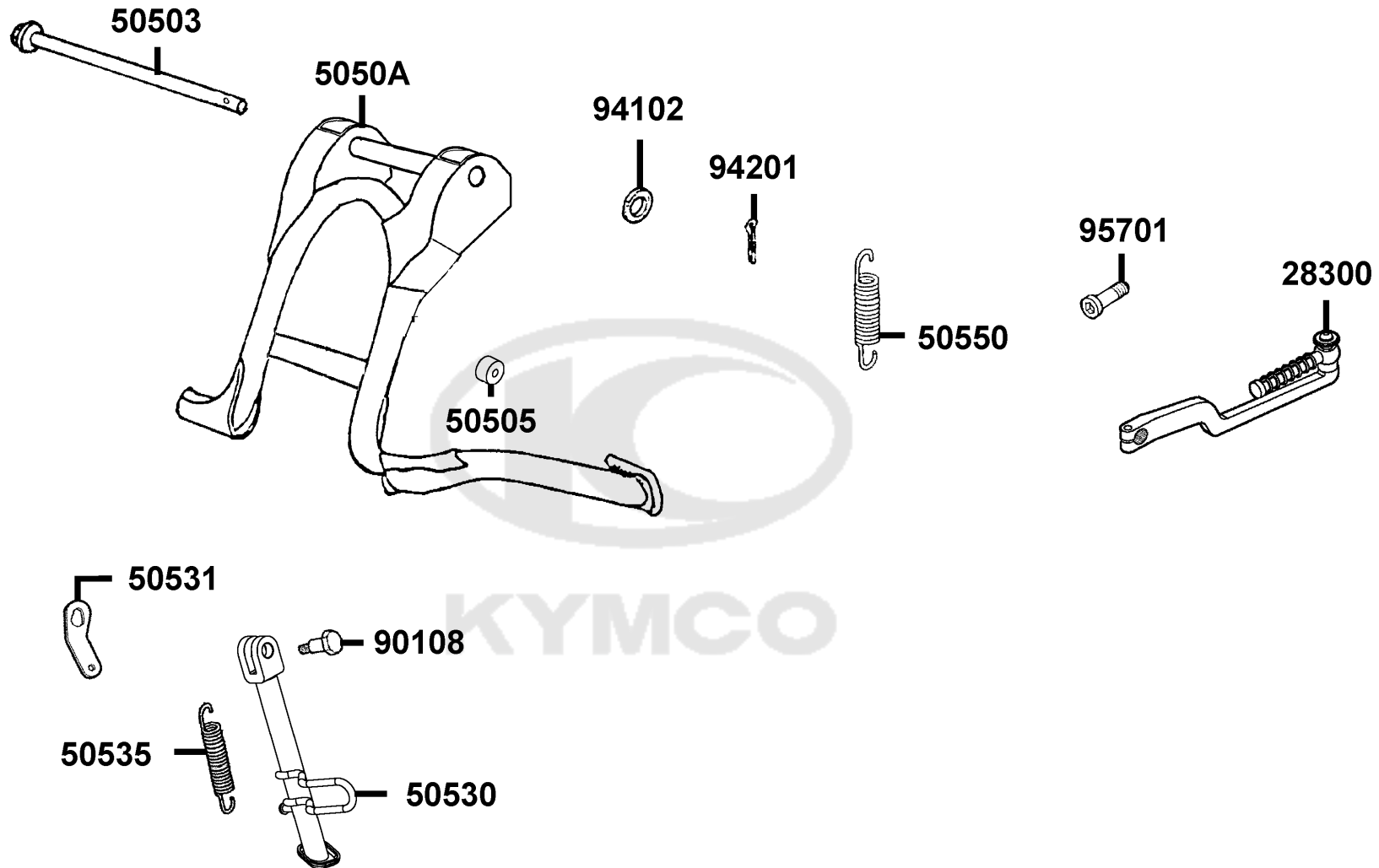




Sales mark	Ref no	Part no	Description	Reg description	Regd no	<b>F14</b>
	18291-KKC4	18291-KKC4-C00	COLLAR	COLLAR	1	
	18291-LHB3	18291-LHB3-E10	GASKET EXH PIPE	GASKET EXH PIPE	1	
	18292	18292-KEBE-C00	PACKING PROTECTOR	PACKING PROTECTOR	1	
	18293	18293-KECE-C00	RUBBER A PROTR	RUBBER A PROTR	1	
	18294	18294-KEBE-C00	PACKING PROTECTOR	PACKING PROTECTOR	1	
	18295	18295-KECE-900	COLLAR 6MM	COLLAR 6MM	1	
	1830A	1830A-LHB3-E10	MUFFLER ASSY EXHAUST	MUFFLER ASSY EXHAUST	1	
	18318	18318-LHB3-E10	PROTECTOR COMP MUFFLER	PROTECTOR COMP MUFFLER	1	
	18341	18341-LHB3-E10	"TAIL CAP COMP, MUFFLER"	"TAIL CAP COMP, MUFFLER"	1	
	1860A	1860A-KFB5-C00	REED VALVE ASSY	REED VALVE ASSY	1	
	80107	80107-KHLH-C00	RUBBER AFR FENDER	RUBBER AFR FENDER	1	
	90110	90110-LCD1-E00	SCREW SPECIAL 6x25	SCREW SPECIAL 6x25	3	
	90301	90301-GFY6-C00	NUT (HEX) CAP 8MM	NUT (HEX) CAP 8MM	1	
	94101	94101-06700	WASHER PLAIN 6MM (K)	WASHER PLAIN 6MM (K)	1	
	95701	95701-06020-07	BLOT FLANGE 6*16 (C)	BLOT FLANGE 6*16 (C)	4	
	95801-08045	95801-08045-07	BOLT FLANGE 8*45 (K)	BOLT FLANGE 8*45 (K)	1	
	95801-08050	95801-08050-07	BOLT FLANGE 8*50 (K)	BOLT FLANGE 8*50 (K)	1	
	96001	96001-06008-07	BOLT FLANGE SH 6*8 (K)	BOLT FLANGE SH 6*8 (K)	1	

F15

Stand Kick Starter Arm

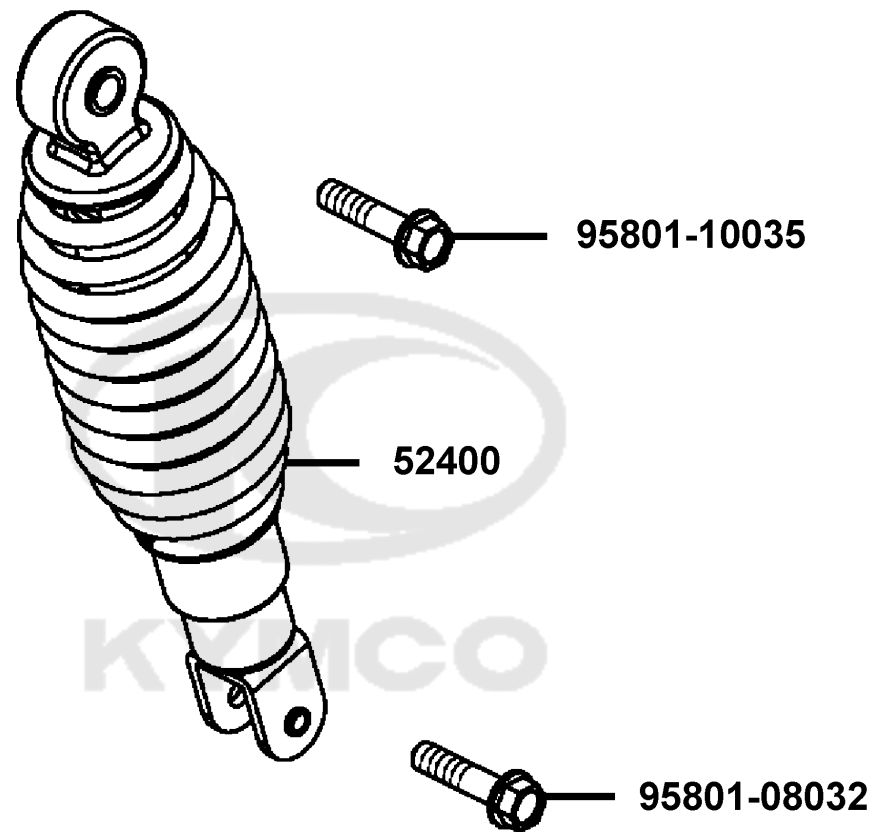


Sales mark	Ref no	Part no	Description	Reg description	Regd no	F15
28300		28300-LHB3-E10	ARM ASSY KICK STARTER	ARM ASSY KICK STARTER	1	
50503		50503-KEB7-C00	SHAFT MAIN STAND	SHAFT MAIN STAND	1	
50505		50505-LDC8-E10	STOPPER RUBBER	STOPPER RUBBER	1	
5050A		5050A-LHB3-E10	"STAND ASSY, MAIN"	"STAND ASSY, MAIN"	1	
50530		50530-LEJ2-E10	BAR SIDE STAND	BAR SIDE STAND	1	
50531		50531-KEB7-C00	PLATE SPRING STOPPER	PLATE SPRING STOPPER	1	
50535		50535-KEB7-W10	SPRING COMP SIDE STAND	SPRING COMP SIDE STAND	1	
50550		50550-KEB7-C00	SPG ASSY MAIN STAND	SPG ASSY MAIN STAND	1	
90108		90108-KFA6-E00	SCREW SIDE STAND PIVOT	SCREW SIDE STAND PIVOT	1	
94102		94102-08800	WASHER PLAIN 8MM	WASHER PLAIN 8MM	1	
94201		94201-20150	PIN SPLIT 2*15	PIN SPLIT 2*15	1	
95701		95701-06022-07	BOLT FLANGE 6*22	BOLT FLANGE 6*22	1	



F16

Rear Cushion



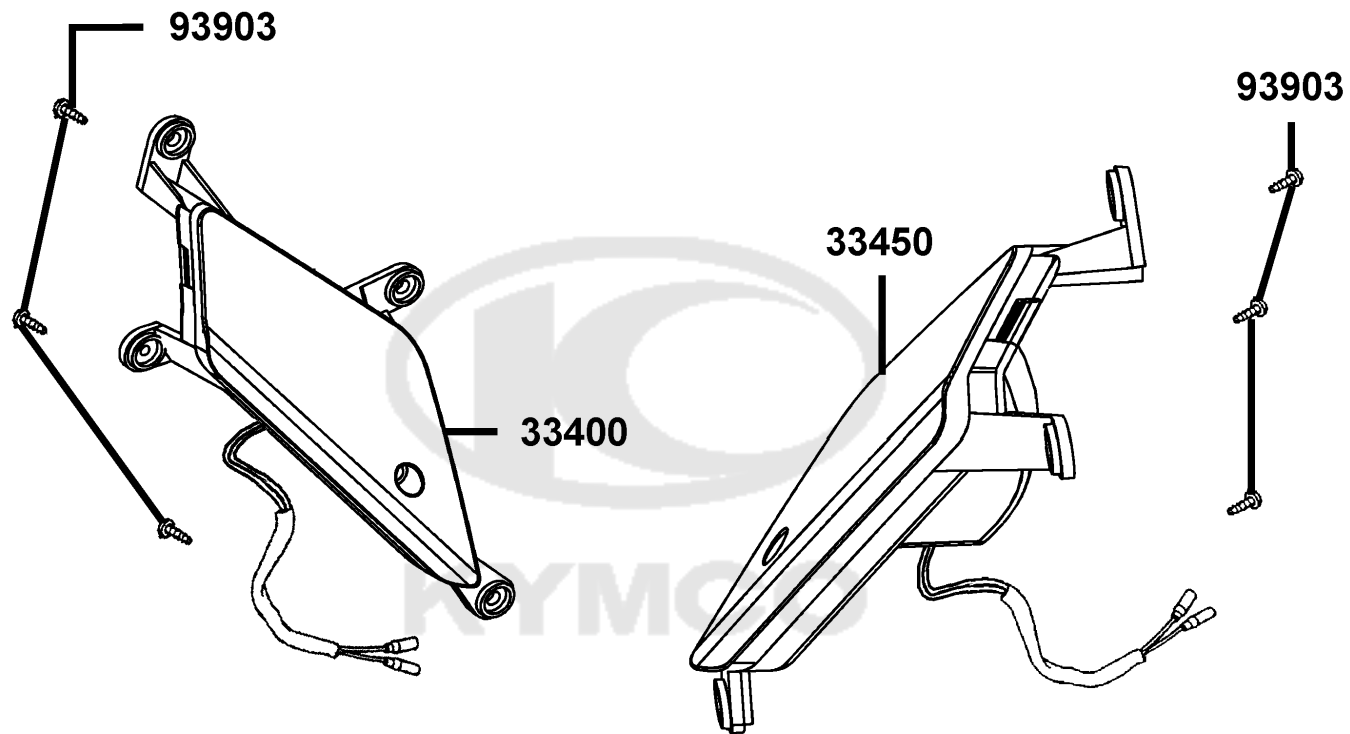
Sales mark	Ref no	Part no	Description	Reg description	Regd no	<b>F16</b>
------------	--------	---------	-------------	-----------------	---------	------------

**	52400	52400-LHB3-E10	CUSHION ASSY REAR	CUSHION ASSY REAR	1	
	95801-08032	95801-08032-08	BOLT FLANGE 8*32	BOLT FLANGE 8*32	1	
	95801-10035	95801-10035-08	BOLT FLANGE 10*35 (C)	BOLT FLANGE 10*35 (C)	1	



F17

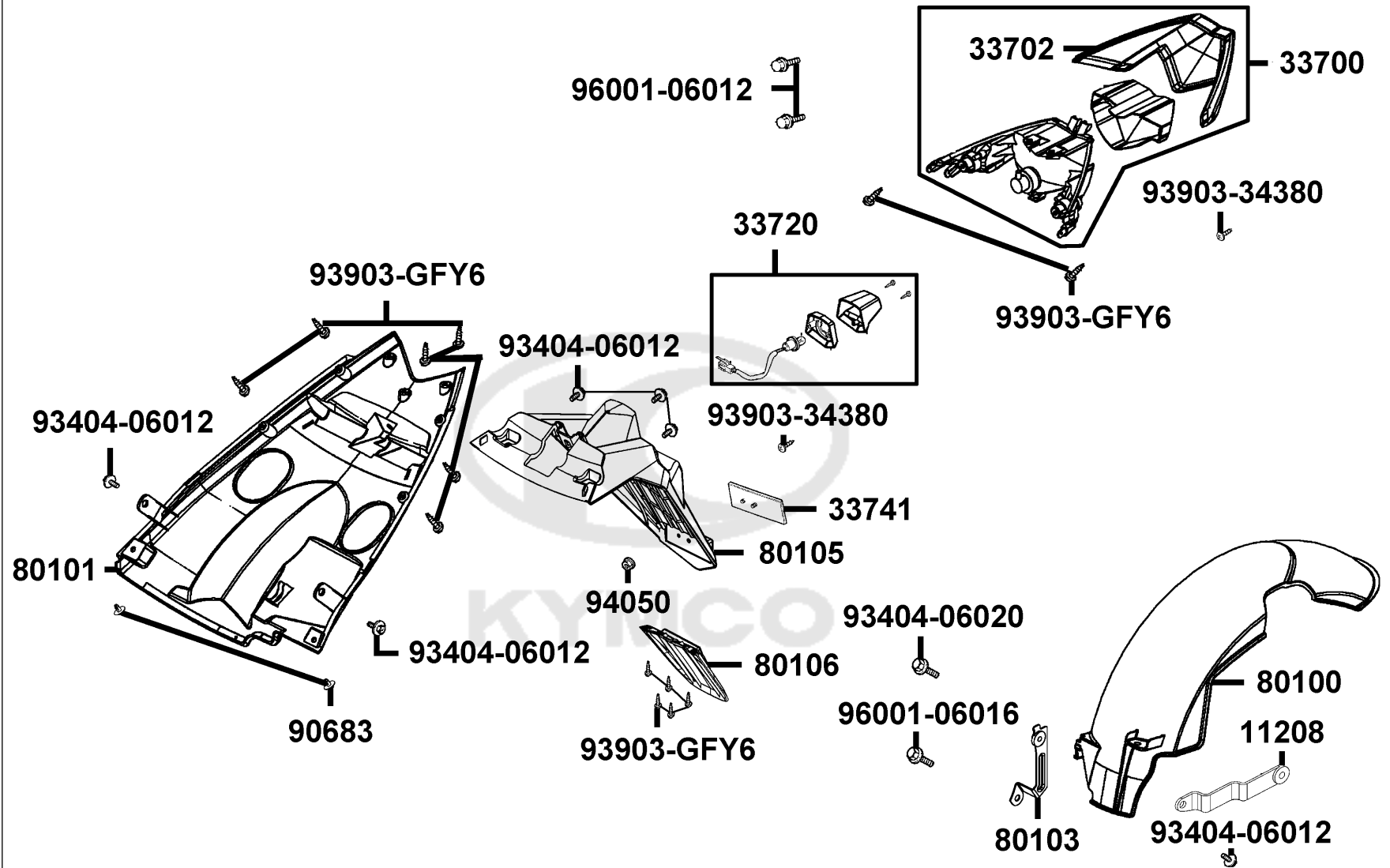
Front Winker



Sales mark	Ref no	Part no	Description	Reg description	Regd no	<b>F17</b>
------------	--------	---------	-------------	-----------------	---------	------------

33400		33400-ALG1-E10	WINKER ASSY RH FR	WINKER ASSY RH FR	1	
33450		33450-ALG1-E10	WINKER ASSY LH FR	WINKER ASSY LH FR	1	
93903		93903-34380	BOLT FLANGE	BOLT FLANGE	6	

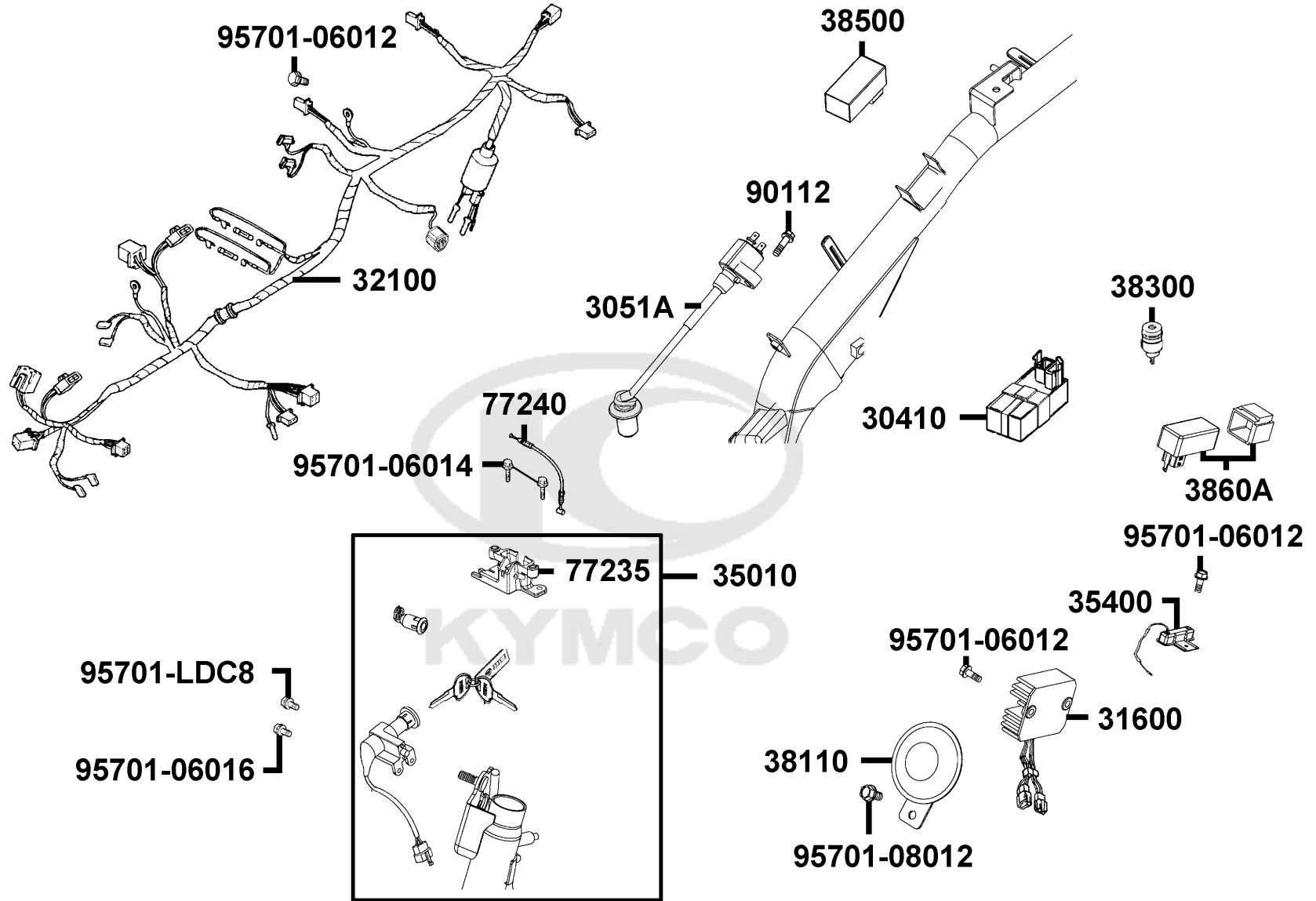




Sales mark	Ref no	Part no	Description	Reg description	Regd no	F18
	11208	11208-LHB3-E10	"STAY B, RR FENDER"	"STAY B, RR FENDER"	1	
	33700	33700-LEJ2-E10	LIGHT ASSY RR COMB	LIGHT ASSY RR COMB	1	
	33702	33702-LEJ2-E10	LENS TAIL LIGHT	LENS TAIL LIGHT	1	
	33720	33720-LEJ2-E10	LIGHT ASSY LICENSE	LIGHT ASSY LICENSE	1	
	33741	33741-KEBE-C00	REFLEX REFLECTOR	REFLEX REFLECTOR	1	
**	80100	80100-LHB3-E10	FENDER RR TIRE	FENDER RR TIRE	1	
**	80101	80101-LEJ2-E10	FENDER RR INNER	FENDER RR INNER	1	
	80103	80103-LCD1-C00	STAY B RR TIRE FENDER	STAY B RR TIRE FENDER	1	
**	80105	80105-LEJ2-E10	FENDER REAR	FENDER REAR	1	
**	80106	80106-LEJ2-E10	FENDER RR LOW	FENDER RR LOW	1	
	90683	90683-GAR1-C00	CLIP BODY COVER	CLIP BODY COVER	1	
	93404-06012	93404-06012-07	BOLT WASHER 6*12(K)	BOLT WASHER 6*12(K)	6	
	93404-06020	93404-06020-07	BOLT WASHER 6*20(K)	BOLT WASHER 6*20(K)	1	
	93903-34380	93903-34380	BOLT FLANGE	BOLT FLANGE	10	
	93903-GFY6	93903-GFY6-C00	SCREW TAPPING 4*14	SCREW TAPPING 4*14	1	
	94050	94050-05080	NUT FLANGE 5MM	NUT FLANGE 5MM	1	
	96001-06012	96001-06012-08	BOLT FLANGE 6*12	BOLT FLANGE 6*12	2	
	96001-06016	96001-06016-08	BOLT FLANGE SH 6*16(C)	BOLT FLANGE SH 6*16(C)	1	

F19

Wire Harness

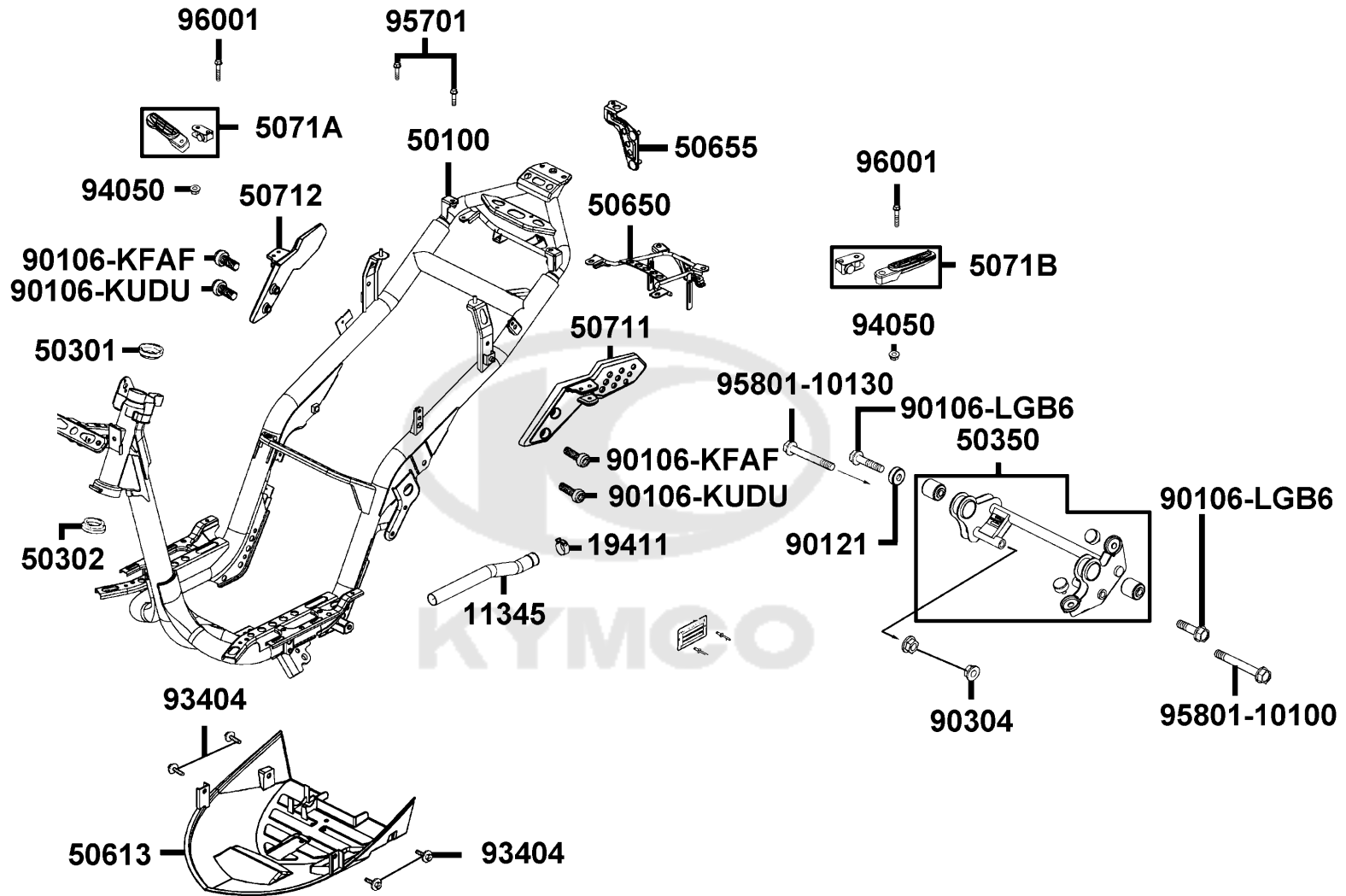


Sales mark	Ref no	Part no	Description	Reg description	Regd no	F19
	30410	30410-LHB3-E10	UNIT COMP CDI	UNIT COMP CDI	1	
	3051A	3051A-KELE-C00	COIL ASSY IGN	COIL ASSY IGN	1	
	31600	31600-LEA5-C00	REG RECT COMP	REG RECT COMP	1	
	32100	32100-ALG2-E10	HARNESS WIRE	HARNESS WIRE	1	
	35010	35010-LEJ2-E10	KEY SET	KEY SET	1	
	35400	35400-ALG2-E10	RESISTOR COMP	RESISTOR COMP	1	
	38110	38110-KGC4-B50	HORN COMP	HORN COMP	1	
	38300	38300-KECE-W10	RELAY ASS'Y WINKER	RELAY ASS'Y WINKER	1	
	38500	38500-KKDK-C00	RELAY ASSY START	RELAY ASSY START	1	
	3860A	3860A-LEJ2-E10	CONTROL ASSY LIGHTING	CONTROL ASSY LIGHTING	1	
	77235	77235-KGC4-C00	SEAT CATCH	SEAT CATCH	1	
	77240	77240-LFC2-E10	"CABLE,SEAT LOCK"	"CABLE,SEAT LOCK"	1	
	90112	90112-KRDR-C00	BOLT FLANGE 5*22	BOLT FLANGE 5*22	1	
	95701-06012	95701-06012-08	BOLT FLANGE 6*12	BOLT FLANGE 6*12	3	
	95701-06014	95701-06014-08	BOLT FLANGE 6*14 (C)	BOLT FLANGE 6*14 (C)	2	
	95701-06016	95701-06016-08	BOLT FLANGE 6*16 (C)	BOLT FLANGE 6*16 (C)	1	
	95701-08012	95701-08012-08	BOLT FLANGE 8*12 (C)	BOLT FLANGE 8*12 (C)	1	
	95701-LDC8	95701-LDC8-E10	BOLT TORQUE 6*16	BOLT TORQUE 6*16	1	



F20

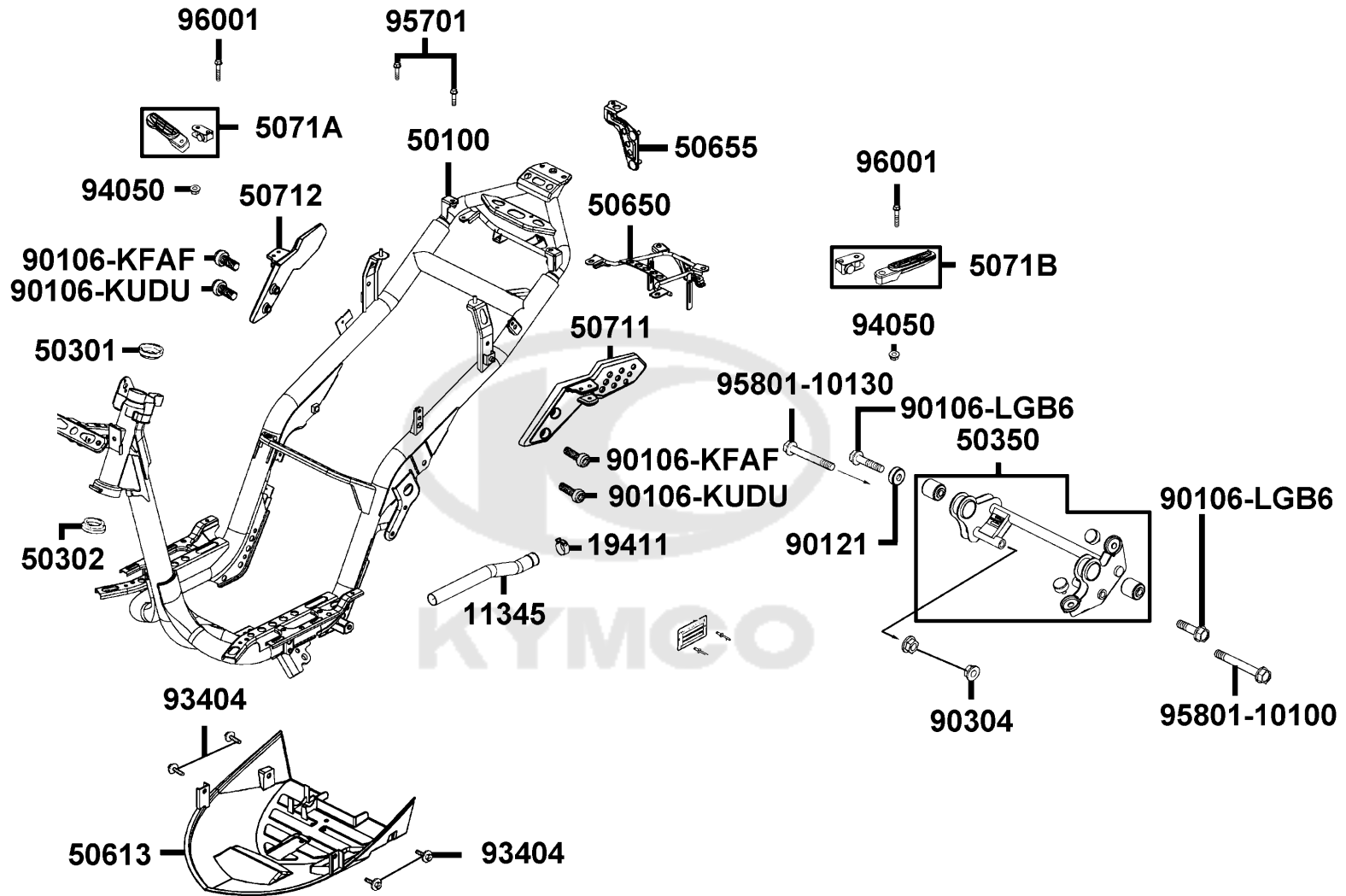
Frame Body



Sales mark	Ref no	Part no	Description	Reg description	Regd no	F20
	11345	11345-LHB3-E10	DUCT L COVER	DUCT L COVER	1	
	19411	19411-KNBN-C10	CLIP HOSE	CLIP HOSE	1	
	50100	50100-ALG2-E10	BODY COMP FRAME	BODY COMP FRAME	1	
	50301	50301-KGN7-C00	RACE UPPER STRG BALL	RACE UPPER STRG BALL	1	
	50302	50302-2H68-C00	RACE (STRG BOT) BALL	RACE (STRG BOT) BALL	1	
	50350	50350-LHB3-E10	ENG HANGER ASSY	ENG HANGER ASSY	1	
**	50613	50613-LEJ2-E10	COVER UNDER	COVER UNDER	1	
	50650	50650-LEJ2-E10	STAY RR FENDER	STAY RR FENDER	1	
	50655	50655-ALG1-E10	STAY REG REC	STAY REG REC	1	
**	50711	50711-LEJ2-E10	"STEP R,RR STEP"	"STEP R,RR STEP"	1	
**	50712	50712-LEJ3-E10	STAY L RR STEP	STAY L RR STEP	1	
	5071A	5071A-LEJ2-E10	BAR R ASSY RR STEP	BAR R ASSY RR STEP	1	
	5071B	5071B-LEJ2-E10	BAR R ASSY RR STEP	BAR R ASSY RR STEP	1	
	90106-KFAF	90106-KFAF-900	BOLT FLANGE 10*55	BOLT FLANGE 10*55	2	
	90106-KUDU	90106-KUDU-900	BOLT FLANGE 8*26 (K)	BOLT FLANGE 8*26 (K)	2	
	90106-LGB6	90106-LGB6-E10	BOLT FLANGE 10*55	BOLT FLANGE 10*55	2	
	90121	90121-GFY6-C00	COLLAR DISTANCE	COLLAR DISTANCE	1	
	90304	90304-GHE8-C00	NUT U 10MM (C)	NUT U 10MM (C)	1	
	93404	93404-06012-07	BOLT WASHER 6*12(K)	BOLT WASHER 6*12(K)	4	
	94050	94050-06080	NUT FLANG 6MM	NUT FLANG 6MM	2	

F20

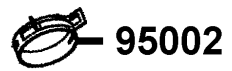
Frame Body



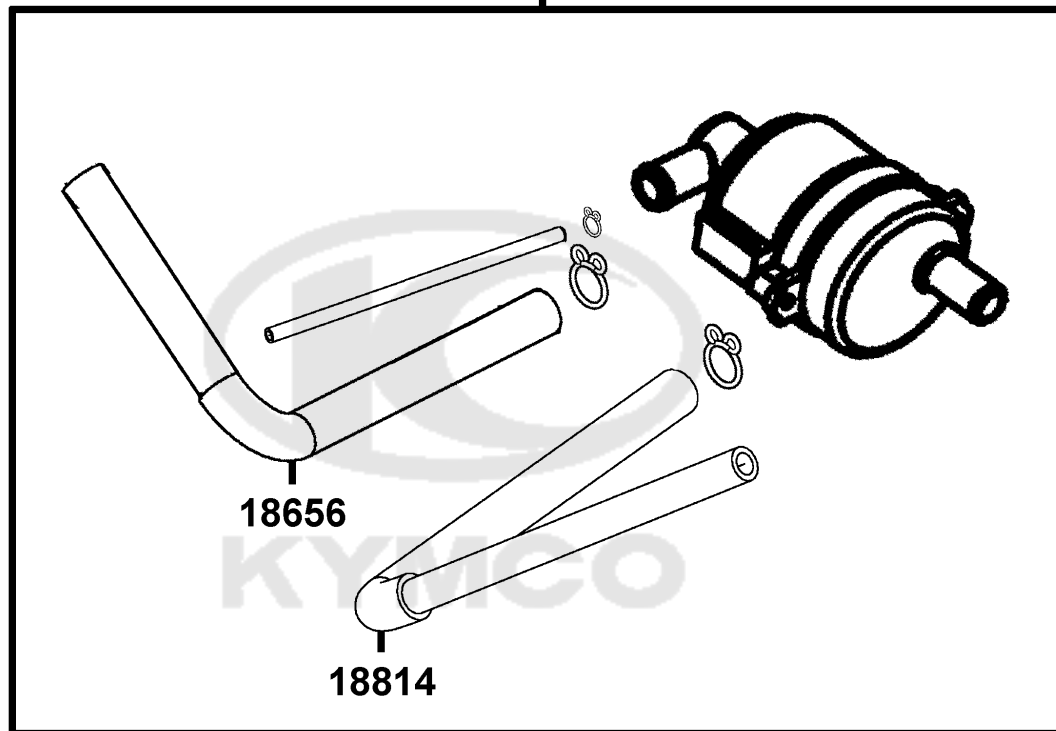
Sales mark	Ref no	Part no	Description	Reg description	Regd no	<b>F20</b>
------------	--------	---------	-------------	-----------------	---------	------------

95701		95701-06016-08	BOLT FLANGE 6*16 (C)	BOLT FLANGE 6*16 (C)	2	
95801-10100		95801-10100-08	BOLT FLANGE 10*100	BOLT FLANGE 10*100	1	
95801-10130		95801-10130-08	BOLT FLANGE 10*130	BOLT FLANGE 10*130	1	
96001		96001-06040-07	BOLT FLANGE SH6*40	BOLT FLANGE SH6*40	2	





18800



Sales mark	Ref no	Part no	Description	Reg description	Regd no	<b>F21</b>
------------	--------	---------	-------------	-----------------	---------	------------

18656	18656-LHB3-E10	18656-LHB3-E10	"TUBE,AI/C TO REED VALVE"	"TUBE,AI/C TO REED VALVE"	1	
18800	18800-LHB3-E10	18800-LHB3-E10	AI CLEANER ASSY	AI CLEANER ASSY	1	
18814	18814-LHB3-E10	18814-LHB3-E10	"DUCT,AI CLEANER"	"DUCT,AI CLEANER"	1	
95002	95002-KKD6-C00	95002-KKD6-C00	CLAMP D18 TUBE	CLAMP D18 TUBE	1	



Do not use a safety helmet when riding.  
Do not exceed the speed specified by the owner's manual.  
The actual engine temperature is very high after riding. Be sure to park the motorcycle in a place not easily heated by sunlight.  
For riding safety and good performance, do not make the tire to modify the motorcycle.  
Be sure to perform the periodic maintenance and proper functions.  
Florida Inspection Items  
Brake Performance, tires, engine oil level, lights, horn, and instrument panel.  
KWANG YANG MOTOR CO., LTD.

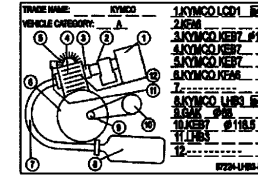
87560

**CAUTIONS**  
Before starting the engine, the side stand shall be kicked up to secure safety.

87541-GAR1

**CAUTIONS**  
Never put any article between the rear side cover and the engine to avoid interference of riding.

87542



**KYMCO**

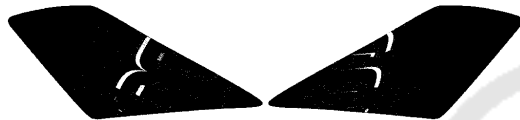
87556



86102

**50T**

87140



86282

86283



86523

86533

**CAUTIONS**

The Size	:Front 100/90-14	Rear 120/90-14
(One Rider)	:Front 1.5 kg/cm <sup>2</sup>	Rear 1.7 kg/cm <sup>2</sup>
(Two Riders)	:Front 2.0 kg/cm <sup>2</sup>	Rear 2.2 kg/cm <sup>2</sup>
Load Capacity	:Should 1.5kg (Up any number 5kg (As per KYMCO standard specification))	

(Note: The tire pressure must not exceed 2.5 kg/cm<sup>2</sup>)

Check the motor oil level with the dipstick after rolling motor oil.

87505



86241

86251



86121

86131

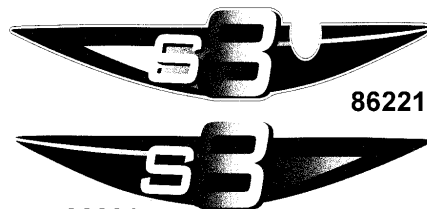
**ENGINE OIL**

Make sure to use KYMCO-recommended SIGMA 4-stroke engine oil.

- Full Capacity 0.85L
- Exchange Capacity 0.70L

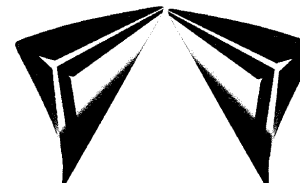
After refilling, check the oil level with dipstick.

87541-KUDU



86221

86231



86284

86286

Sales mark	Ref no	Part no	Description	Reg description	Regd no	F22
**	86102	86102-ALG1-E00	EMB MARK K-LOGO	EMB MARK K-LOGO	1	
**	86121	86121-ALG1-E10	STRIPE R FR COVER	STRIPE R FR COVER	1	
**	86131	86131-ALG1-E10	STRIPE L FR COVER	STRIPE L FR COVER	1	
**	86221	86221-ALG1-E10	STRIPE R BODY COVER	STRIPE R BODY COVER	1	
**	86231	86231-ALG1-E10	STRIPE L BODY COVER	STRIPE L BODY COVER	1	
**	86241	86241-ALG1-E10	STRIPE B R BODY COVER	STRIPE B R BODY COVER	1	
**	86251	86251-ALG1-E10	STRIPE B L BODY COVER	STRIPE B L BODY COVER	1	
**	86282	86282-ALG1-E10	STRIPE R FR MOLD	STRIPE R FR MOLD	1	
**	86283	86283-ALG1-E10	STRIPE L FR MOLD	STRIPE L FR MOLD	1	
**	86284	86284-ALG1-E10	STRIPE B R FR MOLD	STRIPE B R FR MOLD	1	
**	86286	86286-ALG1-E10	STRIPE B L FR MOLD	STRIPE B L FR MOLD	1	
**	86523	86523-ALG1-E10	STRIPE R FR FENDER	STRIPE R FR FENDER	1	
**	86533	86533-ALG1-E10	STRIPE L FR FENDER	STRIPE L FR FENDER	1	
**	87140	87140-LHB3-E00	STRIPE MARK 50-2T	STRIPE MARK 50-2T	1	
**	87224	87224-LEJ3-EZ0	CAUTION ANTI TAMPERING	CAUTION ANTI TAMPERING	1	
**	87505	87505-LEJ2-E01	LABLE TIRE	LABLE TIRE	1	
**	87541-GAR1	87541-GAR1-C01	MARK MAINT CAUTION L	MARK MAINT CAUTION L	1	
**	87541-KUDU	87541-KUDU-E00	LABEL OIL CAP	LABEL OIL CAP	1	
**	87542	87542-GAR1-C01	MARK MAINT CAUTION	MARK MAINT CAUTION	1	
**	87556	87556-LHB3-E00	STRIPE MARK KYMCO	STRIPE MARK KYMCO	1	



Do not use a safety helmet when riding.  
Do not exceed the speed specified by the owner's manual.  
The actual road temperature is very high after riding. Be sure to park the motorcycle in a place not easily heated by sunlight.  
For riding safety and good performance, do not make the tire to modify the motorcycle.  
Be sure to perform the periodic maintenance and proper functions.  
Florida Inspection Items  
Brake Performance, tires, engine oil level, lights, horn, and instrument panel.  
KWANG YANG MOTOR CO., LTD.

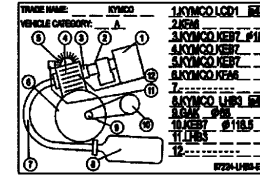
87560

**CAUTIONS**  
Before starting the engine, the side stand shall be kicked up to secure safety.

87541-GAR1

**CAUTIONS**  
Never put any article between the rear side cover and the engine to avoid interference of riding.

87542



**KYMCO**

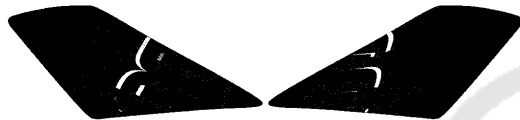
87556



86102

**50T**

87140



86282

86283



86523

86533

**CAUTIONS**

The Size	:Front 100/90-14	Rear 120/90-14
(One Rider)	:Front 1.5 kg/cm <sup>2</sup>	Rear 1.7 kg/cm <sup>2</sup>
(Two Riders)	:Front 2.0 kg/cm <sup>2</sup>	Rear 2.2 kg/cm <sup>2</sup>
Load Capacity	:Should 1.5kg (Up any number 5kg (As per KYMCO standard specification))	

(Note: The tire pressure must not exceed 2.5 kg/cm<sup>2</sup>)

Check the motor oil level with the dipstick after rolling motor oil.

87505



86241

86251



86121

86131

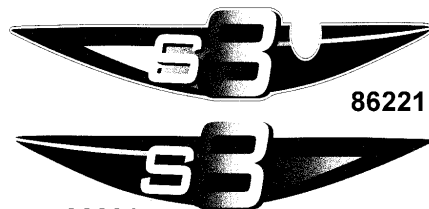
**ENGINE OIL**

Make sure to use KYMCO-recommended SIGMA 4-stroke engine oil.

- Full Capacity 0.85L
- Exchange Capacity 0.70L

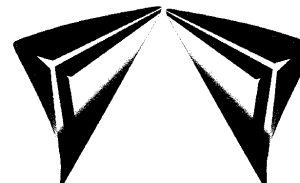
After refilling, check the oil level with dipstick.

87541-KUDU



86221

86231



86284

86286

Sales mark	Ref no	Part no	Description	Reg description	Regd no	<b>F22</b>
------------	--------	---------	-------------	-----------------	---------	------------

**	87560	87560-GFY6-E11	MARK DRIVE CAUTION	MARK DRIVE CAUTION	1	
----	-------	----------------	--------------------	--------------------	---	--



## PART NO. INDEX

PART NO.	VERSION	PAGE	PART NO.	VERSION	PAGE	PART NO.	VERSION	PAGE
<b>1000</b>			<b>4000</b>			12191-KEB7-C00	0	E02
1001-GC8H-0351	0	E11	4000-077-0000	0	E11	12201-KEB7-C00	0	E02
1010-GAKH-9200	0	E11				12251-KEB7-C00	0	E02
1014-GAKH-9100	0	E11	<b>11000</b>			<b>13000</b>		
1019-GW3H-9800	0	E11				1300A-GKAK-C00	0	E10
1020-GAKH-9300	0	E11	11100-KEB7-C00	0	E09	13011-GLW0-C00	0	E10
1031-181H-8310	0	E11	11102-1G87-C00	1	E09	13101-GLW0-901	2	E10
1034-153H-9901	0	E11	11108-KEB7-C00	0	E03	13111-1F66-001	2	E10
103J-073H-9900-SB00	0	E11	11200-KFA6-900	2	E09	13115-1F56-C00	0	E10
105B-KBNH-9000	0	E11	11203-GGC7-W10	2	E09			
106B-KG8H-9804	0	E11	11204-LEJ2-E10	0	E09	<b>14000</b>		
1300-GW0H-9000	0	E11	11205-GHAH-C00	0	E05	14100-KEB7-C00	0	E09
1300-GW3H-Q800	0	E11	11205-GHAH-C00	0	E09			
1300-KG8H-9010	0	E11	11205-KED5-C00	0	E09	<b>15000</b>		
1300-KG8H-Q010	0	E11	11208-GKAK-C00	0	E09	1510A-LCD1-E00	1	E09
1703-GJ2H-0040	0	E11	11208-LHB3-E10	0	F18	15110-KEB7-C00	0	E09
1782-KG8H-9010	0	E11	11341-KFA6-900	0	E05			
1785-KBNH-9000-SB00	0	E11	11345-LHB3-E10	0	F20	<b>16000</b>		
1793-144H-9900	0	E11	11395-KFA6-C00	0	E05	16075-KG8-9010-M1	0	E11
1795-KG8H-9010	0	E11	11396-KFA6-C00	0	E05	16076-KG8-9010-M1	0	E11
1799-KBNH-9000	0	E11				16076-ND5-0040	0	E11
			<b>12000</b>					
			12101-KEB7-C00	0	E02			

## PART NO. INDEX

PART NO.	VERSION	PAGE	PART NO.	VERSION	PAGE	PART NO.	VERSION	PAGE
1610K-KFA6-E05	1	E11						
16152-KG8-9010-M1	0	E11	<b>18000</b>			<b>21000</b>		
16162-KG8-9010-M1	0	E11						
1621A-GKAK-C00	0	E09	18291-KKC4-C00	0	F14	21200-KFA6-900	0	E08
16620-LGR4-E10	2	E11	18291-LHB3-E10	0	F14	21395-KFA6-C00	0	E08
1691A-LEJ2-E10	0	F10	18292-KEBE-C00	0	F14			
16950-LKL5-E30	0	F10	18293-KECE-C00	0	F14	<b>22000</b>		
<b>17000</b>			18294-KEBE-C00	0	F14			
			18295-KECE-900	0	F14	22100-LHM9-E10	0	E07
			1830A-LHB3-E10	1	F14	22102-LDC8-E10	0	E06
17100-KEB7-901	1	E09	18318-LHB3-E10	0	F14	22103-KEB7-C00	0	E06
17111-LHM9-E10	0	E09	18341-LHB3-E10	0	F14	22105-KEB7-C00	0	E06
17112-KEB7-C00	0	E09	1860A-KFB5-C00	0	F14	22110-LDC8-E10	2	E06
17200-LCD1-C00	0	F13	18656-LHB3-E10	1	F21	22121-GLW0-C00	2	E06
17205-KFA6-C00	0	F13	18800-LHB3-E10	1	F21	22131-GHAH-C00	0	E06
1723A-LCD1-C00	0	F13	18814-LHB3-E10	0	F21	22132-GLW0-C00	0	E06
1723B-LCD1-C00	0	F13	<b>19000</b>			22300-KXCX-900	2	E07
17500-LEJ2-E10	5	F10				22350-GKAK-C00	0	E07
17502-1G87-001	0	F10				22401-GBG2-C00	0	E07
17620-LBA8-C10	0	F10	19411-KNBN-C10	1	F20	22530-GKAK-C00	1	E07
17683-LHB3-E10	02	F10	19510-GBW2-C00	1	E03	22804-1H48-C00	0	E07
17684-LHB3-E10	0	F10	19600-KEB7-C00	0	E01			
17910-LHB3-E10	0	F03	1962A-KEB7-C10	0	E01	<b>23000</b>		
						2301A-KEB7-C00	0	E07
						23100-KEB7-C00	0	E07

## PART NO. INDEX

PART NO.	VERSION	PAGE	PART NO.	VERSION	PAGE	PART NO.	VERSION	PAGE
23200-GAR1-C00	0	E07				33731-KGB5-C00	2	F06
23220-GKAK-C00	0	E07	<b>31000</b>			33741-KEBE-C00	0	F18
23225-GAR1-C00	0	E07				<b>34000</b>		
23233-GHE8-001	2	E07	31100-ALG2-E10	0	E03			
23237-GAR1-C00	0	E07	31110-LHM9-E11	0	E03			
23238-GGS7-C00	0	E07	31120-ALG2-E10	0	E03	34901-KKA8-C00	0	F01
23411-KFA6-C00	0	E08	31200-LHM9-E10	0	E04	34903-ALG1-E10	0	F01
23420-KFA6-C00	0	E08	31209-GKAK-C00	0	E04	34908-GGAG-70A	0	F02
23432-KFA6-C00	0	E08	31500-GFY6-C00	1	F11	34908-MKB9-C00	0	F02
2343A-LHB3-C00	0	E08	31600-LEA5-C00	0	F19	<b>35000</b>		
<b>28000</b>			<b>32000</b>					
28211-KEB7-W10	0	E06	32100-ALG2-E10	0	F19	35010-LEJ2-E10	0	F19
2823A-GKAK-W10	1	E06	32101-GFY6-C00	1	F04	3515A-LGB5-E10	3	F03
28250-KCCC-C00	0	E06	<b>33000</b>			3520A-LGB5-E10	3	F03
28253-GBN2-C00	1	E06				35340-KKJ9-C00	0	F03
28255-GFS6-C00	1	E06				35400-ALG2-E10	0	F19
28281-GBN2-C00	1	E06	33100-ALG1-E10	0	F01	35410-LHB3-E10	0	F10
28300-LHB3-E10	3	F15	33120-ALG1-E10	0	F01	<b>37000</b>		
<b>30000</b>			33130-ALG1-E10	0	F01			
			33400-ALG1-E10	0	F17	37200-ALG2-E10	0	F02
			33450-ALG1-E10	0	F17	37211-LEJ2-E0A	0	F02
30410-LHB3-E10	1	F19	33700-LEJ2-E10	0	F18	37213-LEJ2-E0A	0	F02
3051A-KELE-C00	0	F19	33702-LEJ2-E10	0	F18	37220-LEJ2-E0A	0	F02
			33720-LEJ2-E10	0	F18	37224-ALG2-E10	0	F02

## PART NO. INDEX

PART NO.	VERSION	PAGE	PART NO.	VERSION	PAGE	PART NO.	VERSION	PAGE
37280-LEJ2-E0A	0	F02				50306-1F96-C00	1	F06
37802-GGA7-C00	1	F10	<b>44000</b>			50326-LEJ2-E10	0	F12
3780A-LEJ2-E10	0	F10				50350-LHB3-E10	2	F20
<b>38000</b>			44301-LEJ2-E10	4	F07	50503-KEB7-C00	0	F15
			44311-KHB4-C00	0	F07	50505-LDC8-E10	2	F15
			44601-LEJ3-E10	0	F07	5050A-LHB3-E10	0	F15
38110-KGC4-B50	2	F19	44620-KFLF-C00	1	F07	50530-LEJ2-E10	0	F15
38300-KECE-W10	2	F19	44680-4L10-C00	0	F07	50531-KEB7-C00	1	F15
38500-KKDK-C00	5	F19	44710-LEJ3-E11	0	F07	50535-KEB7-W10	3	F15
3860A-LEJ2-E10	1	F19	44800-LKD1-E10	1	F07	50550-KEB7-C00	1	F15
			44830-LCD3-C00	0	F02	50613-LEJ2-E10	0	F20
<b>42000</b>			<b>45000</b>			50650-LEJ2-E10	0	F20
						50655-ALG1-E10	0	F20
42601-LEJ2-E10	0	F08				50711-LEJ2-E10	2	F20
42710-LEJ3-E11	0	F08	45105-LEJ2-306	0	F04	50712-LEJ3-E10	1	F20
			45121-LEJ2-E80	0	F07	5071A-LEJ2-E10	0	F20
<b>43000</b>			45126-LEJ2-E10	3	F04	5071B-LEJ2-E10	0	F20
			45200-LEJ2-E80	0	F04			
4312A-KUDU-C00	1	F08	45500-LDC8-E10	3	F04	<b>51000</b>		
43141-LCD3-E00	2	F08	45517-KFAF-910	1	F04			
4314A-LCD3-E00	2	F08				51400-LEJ2-E10	0	F06
43410-LHB3-E10	0	F08	<b>50000</b>			51400-LEJ2-E10	2	F06
43450-LHB3-E10	0	F03				51401-LEJ2-E10	0	F06
43472-LEJ3-E10	0	F08	50100-ALG2-E10	0	F20	51410-LEJ2-E10	0	F06
			50301-KGN7-C00	2	F20	51412-LEJ2-E10	0	F06
			50302-2H68-C00	2	F20	51420-LEJ2-E10	0	F06

## PART NO. INDEX

PART NO.	VERSION	PAGE	PART NO.	VERSION	PAGE	PART NO.	VERSION	PAGE
51422-LEJ2-E10	0	F06	53206-LEJ2-E10	0	F03	64210-ALG1-E10	0	F03
51427-LEJ2-E10	0	F06	53207-ALG1-E10	0	F03	64301-ALG1-E10	0	F05
51428-LEJ2-E10	0	F06	53211-GFY6-C00	1	F06	64302-ALG1-E10	0	F05
51429-LEJ2-E10	0	F06	53212-2L50-C00	1	F06	64303-ALG1-E10	0	F05
51437-LEJ2-E10	0	F06	53214-2L50-C00	1	F06	64304-ALG1-E10	0	F05
51500-LEJ2-E10	0	F06	53215-2L50-C00	1	F06	64305-LEJ2-E10	0	F05
51500-LEJ2-E10	2	F06				64306-LEJ2-E10	0	F05
51520-LEJ2-E10	0	F06				64307-ALG1-E10	0	F05
			<b>55000</b>			64308-ALG1-E10	0	F05
<b>52000</b>			55100-LHB3-E10	0	F10	64310-LEJ2-E10	0	F05
			55106-KEB7-C00	0	F10	64312-ALG1-E10	0	F05
52400-LHB3-E10	0	F16	5510A-LHB3-E10	0	F10	64313-ALG1-E10	0	F05
			55121-LCD1-C00	0	F10	64316-LCB9-C10	4	F05
<b>53000</b>			55200-LCD1-C00	0	E09	64316-LCB9-C10	4	F12
						64400-ALG1-E10	0	F05
53100-LEJ2-E10	3	F03	<b>61000</b>			<b>77000</b>		
53102-LFC3-E10	2	F03						
53105-LFC3-E10	2	F03	61100-LEJ2-E10	0	F06	77200-LEJ2-E10	0	F09
53125-GEN5-C00	1	F03	61110-LDC8-E90	0	F06	77232-KCAC-C00	2	F12
53140-LEJ2-E10	0	F03	61111-ALG1-E10	0	F05	77235-KGC4-C00	2	F19
53166-LEJ2-E10	0	F03	61112-LDC8-E90	0	F06	77240-LFC2-E10	5	F19
53175-LDC8-E10	1	F04	6111A-LDC8-E90	0	F06			
53178-LCD1-C00	3	F03				<b>80000</b>		
5317B-LCD1-C00	0	F03	<b>64000</b>					
53200-LEJ2-E10	0	F06						
53205-ALG1-E10	5	F03	64206-MLJ0-C00	1	F06	80100-LHB3-E10	0	F18

## PART NO. INDEX

PART NO.	VERSION	PAGE	PART NO.	VERSION	PAGE	PART NO.	VERSION	PAGE
80101-LEJ2-E10	0	F18	83750-LEJ2-E10	0	F12	87541-KUDU-E00	1	F22
80102-LHM9-E10	1	E09				87542-GAR1-C01	2	F22
80103-LCD1-C00	0	F18	<b>86000</b>			87556-LHB3-E00	0	F22
80105-LEJ2-E10	0	F18				87560-GFY6-E11	3	F22
80106-LEJ2-E10	1	F18	86102-ALG1-E00	0	F22			
80107-KHLH-C00	0	F14	86121-ALG1-E10	0	F22	<b>88000</b>		
80151-LEJ2-E10	0	F12	86131-ALG1-E10	0	F22			
			86221-ALG1-E10	0	F22	88110-ALG1-E11	0	F03
<b>81000</b>			86231-ALG1-E10	0	F22	88120-ALG1-E11	0	F03
			86241-ALG1-E10	0	F22			
81131-ALG1-E10	0	F05	86251-ALG1-E10	0	F22	<b>89000</b>		
81132-ALG1-E10	0	F05	86282-ALG1-E10	0	F22			
81132-LCB9-C10	0	F05	86283-ALG1-E10	0	F22	89010-GGS7-C10	0	F09
81132-LCB9-C10	1	F05	86284-ALG1-E10	0	F22	89020-KKC4-900	1	F09
81134-KGBG-C00	2	F05	86286-ALG1-E10	0	F22			
81200-LEJ3-E10	0	F12	86523-ALG1-E10	0	F22	<b>90000</b>		
81250-LHB3-E10	0	F12	86533-ALG1-E10	0	F22			
						90001-GKAK-C00	0	E02
<b>83000</b>			<b>87000</b>			9000A-KTDT-C00	1	E05
						90105-KCR3-001	3	F07
83500-LEJ2-E10	0	F12	87140-LHB3-E00	0	F22	90106-GEN5-901	1	F03
83510-LEJ2-E10	0	F12	87224-LEJ3-EZ0	0	F22	90106-KFAF-900	2	F20
83520-LEJ2-E10	0	F12	87505-LEJ2-E01	1	F22	90106-KFC2-900	1	F03
83600-LEJ2-E10	0	F12	87541-GAR1-C01	0	F22	90106-KUDU-900	2	F20
83610-LEJ2-E10	0	F12	87541-GAR1-C01	1	F22	90106-LGB6-E10	1	F20
83620-LEJ2-E10	0	F12	87541-KUDU-E00	0	F22	90108-KFA6-E00	1	F15



## PART NO. INDEX

PART NO.	VERSION	PAGE	PART NO.	VERSION	PAGE	PART NO.	VERSION	PAGE
90110-GLW0-C00	0	F05	90429-KNBN-C00	0	E08	91201-KNBN-C00	0	E09
90110-KEB7-C00	1	F06	90442-0D44-C00	0	E07	91202-KNBN-C00	0	E09
90110-LCD1-E00	2	F14	90451-GBN2-C00	1	E06	91204-KNBN-C00	1	E09
90111-1G87-C00	1	F12	90454-GBB2-C00	0	E07	91211-GHK8-C00	0	E07
90112-KRDR-C00	1	F19	90474-3C33-C00	1	E09	91251-LEJ2-E10	0	F06
90116-LEJ2-E10	0	F06	90501-KNBN-C00	1	F08	91252-0L30-004	0	F07
90120-GAR1-C00	0	E09	90544-LEJ2-E10	0	F06	91254-LEJ2-E10	0	F06
90121-GFY6-C00	1	F20	90545-3L00-C00	2	F04	91255-LDC8-E10	4	E08
90131-GLW0-C00	0	F04	90652-KTCT-C00	0	F13	91258-4L10-007	1	F07
90145-9A61-C00	1	F04	90652-LCA4-C10	6	F05	91301-KEA5-742	0	E07
90202-1G87-C00	0	E07	90668-LEJ2-E10	0	F06	91302-PKA9-C00	0	E07
90301-GFY6-C00	2	F14	90683-GAR1-C00	4	F18	91352-KHG8-83A	0	F08
90301-LEJ2-E10	1	F10						
90302-GFY6-C00	2	F03	<b>91000</b>			<b>92000</b>		
90302-GFY6-C00	2	F06						
90302-SDA4-C00	2	F05	91001-GGA7-C00	0	E07	92700-06028-1B	0	E02
90302-SDA4-C00	2	F12	91001-GLW0-C00	0	E09			
90304-GHE8-C00	1	F03	91004-KBN2-C00	0	E08	<b>93000</b>		
90304-GHE8-C00	1	F20	91004-KBN2-C00	0	E09			
90305-GHK8-C00	1	F06	91004-KNBN-C00	0	E09	93404-06012-07	5	F05
90305-GHK8-C00	1	F12	91006-KNBN-C00	0	E09	93404-06012-07	5	F18
90305-KNBN-C00	1	F08	91009-GLE0-C00	1	E08	93404-06012-07	5	F20
90306-KLF0-C00	0	F07	91014-LLJ3-C00	1	F06	93404-06016-07	0	F10
90381-GEZ5-C00	1	F12	91015-LLJ3-C00	1	F06	93404-06016-07	0	F12
90412-3K29-C00	1	E06	91102-GLW0-C00	0	E10	93404-06020-07	4	F05
90426-KNBN-C00	1	E06	91103-GAR1-C00	0	E07	93404-06020-07	4	F18

## PART NO. INDEX

PART NO.	VERSION	PAGE	PART NO.	VERSION	PAGE	PART NO.	VERSION	PAGE
93404-06030-07	2	F06	94050-06080	2	F20	95701-06025-08	2	E01
93404-06040-07	0	F13	94050-10080	1	E03	95701-06032-08	1	F08
93500-05012-0H	0	E09	94050-10080	1	E07	95701-08012-08	2	E09
93700-05018-0H	1	F02	94101-06700	0	F14	95701-08012-08	2	F19
93892-04008-18	0	E11	94102-08800	0	F15	95701-08028-08	0	F12
93892-04014-18	0	E11	94201-20150	0	F15	95701-08040-08	3	E09
93903-34280	0	F03	94301-10200	2	E09	95701-08040-08	3	F12
93903-34380	6	F01	94511-14000	1	E06	95701-LDC8-E10	0	F19
93903-34380	6	F03	94520-24000	1	E07	95801-08032-08	0	F16
93903-34380	6	F05	94591-KFBF-C00	0	E01	95801-08040-08	4	F06
93903-34380	6	F12	94591-LDC8-E10	1	E01	95801-08045-07	0	F14
93903-34380	6	F17	94608-LEJ2-E10	0	F06	95801-08050-07	0	F14
93903-34380	6	F18				95801-10035-08	1	F16
93903-35220	4	F01	<b>95000</b>			95801-10100-08	0	F20
93903-35220	4	F02				95801-10130-08	0	F20
93903-GFY6-C00	2	F05	95002-02080	0	E11			
93903-GFY6-C00	2	F12	95002-KKD6-C00	1	F21	<b>96000</b>		
93903-GFY6-C00	2	F18	95012-LEJ2-E10	0	F11			
<b>94000</b>								
94001-12280-0S	0	E06	95701-06012-08	3	F06	96001-06008-07	1	F14
94050-05080	2	F06	95701-06012-08	3	F10	96001-06012-08	3	E03
94050-05080	2	F18	95701-06012-08	3	F19	96001-06012-08	3	F18
94050-06080	2	E11	95701-06014-08	0	F19	96001-06016-08	6	E03
94050-06080	2	F09	95701-06016-08	1	F19	96001-06016-08	6	F18
			95701-06016-08	1	F20	96001-06022-08	2	E03
			95701-06020-07	0	F14	96001-06022-08	2	F04
			95701-06022-07	1	F15	96001-06025-08	4	E04

## PART NO. INDEX

PART NO.	VERSION	PAGE	PART NO.	VERSION	PAGE	PART NO.	VERSION	PAGE
96001-06025-08	4	E09	N425-2RFMJ	0	E11			
96001-06032-08	1	E09						
96001-06040-07	0	F20						
96001-06045-08	1	E09						
96001-06055-08	0	E09						
96100-62033-00	1	E09						
96140-63010-10	0	F07						
<b>98000</b>								
98076-5871G-00	0	E02						
98200-10700	2	F11						
<b>99000</b>								
99101-116-0700	0	E11						
<b>K</b>								
K378-001	0	E11						
K785-KEB-0300	0	E11						
<b>N</b>								
N350-09E00	0	E11						
N413-32A00	0	E11						