

PARTS CATALOGUE



SCOOTERS

KL25SA(GR)

Super 8



Release Date : 2013/06/25
Print Date : 2013/08/05

ABOUT THIS PARTS LIST

- This parts list is compiled all service parts for model KL25SA(GR).
- Any difference between color chart and motorcycle will be revised according to motorcycle.
- The Mark:
 1. Marking "***" must add color code in the end before ordering parts.
 2. Marking "#" are parts with modification, Please find the details from e-Parts system.
- When modification or additions to this parts list are made a revised edition at an appropriate time.



CONTENTS

● ABOUT THIS PARTS LIST	1
● COLOR CHART OF KL25SA(GR)	3
● CONTENTS-ENGINE GROUP	12
● CONTENTS-FRAME GROUP	13
● ENGINE PARTS LIST	16
● FRAME PARTS LIST	44
● PART NO. INDEX	98

NO	MODEL			COLOR CHART OF KL25SA(GR)			
	PHOTO NO			NO. 1	NO. 2	NO. 3	NO. 4
	BASIC COLOR			Orange	Vivid Yellow		
	CODE			Orange	Vivid Yellow		
	PARTS NAME	PARTS NO.	VERSION	MR068PA	YR039SA	YR039SA	NH125FA
1	COVER HANDLE FR	53205-LEJ2-E10	5	41P	Y3P	HJP	
2	FENDER FR	61100-LEJ2-E10	0				
3	COVER FR	64301-LEJ2-E10	1				
4	SKIRT R SIDE	64305-LEJ2-E10	0				
5	SKIRT L SIDE	64306-LEJ2-E10	0				
6	COVER R BODY	83500-LEJ2-E10	0				
7	COVER L BODY	83600-LEJ2-E10	0				
8	COVER RR CENTER	83750-LEJ2-E10	0				
9	LEVER R STRG HNDL	53175-LDC8-E10	1	M3A			
10	LEVER STEERING	53178-LCD1-C00	3	N1R			
11	COVER BATTERY	50326-LEJ2-E10	0				
12	COVER UNDER	50613-LEJ2-E10	0				
13	COVER HANDLE RR	53206-LEJ2-E10	0				
14	FLOOR PANEL	64310-LEJ2-E10	0				
15	GRILL R SIDE MOLD	64313-LEJ2-E10	0				
16	FENDER RR TIRE	80100-LEJ3-E10	0				
17	FENDER REAR	80105-LEJ2-E10	0				
18	FENDER RR LOW	80106-LEJ2-E10	1				
19	LID INNER BOX	81132-LEJ2-E10	0				
20	COVER L SIDE A	83610-LEJ2-E10	0	N8A			
21	CARRIER RR	81200-LEJ3-E10	2	N8P			
22	MOLD R SIDE	64302-LEJ2-E10	0				
23	MOLD L SIDE	64303-LEJ2-E10	0				
24	TOP FRONT COVER	64309-LEJ2-E10	0				
25	COVER R SIDE B	83520-LEJ2-E10	0				
DATE OF STARTING-SALES							
DATE OF END-SALES							

NO	MODEL			COLOR CHART OF KL25SA(GR)			
	PHOTO NO			NO. 5	NO. 6	NO. 7	NO. 8
	BASIC COLOR			Mat Black Metallic	Black		Bright Red
	CODE			Mat Black Metallic	Black		Bright Red
	PARTS NAME	PARTS NO.	VERSION	NH125FA	NH001SA	NH001SA	RR136PA
1	COVER HANDLE FR	53205-LEJ2-E10	5	HJP	N1P	R9P	
2	FENDER FR	61100-LEJ2-E10	0				
3	COVER FR	64301-LEJ2-E10	1				
4	SKIRT R SIDE	64305-LEJ2-E10	0				
5	SKIRT L SIDE	64306-LEJ2-E10	0				
6	COVER R BODY	83500-LEJ2-E10	0				
7	COVER L BODY	83600-LEJ2-E10	0				
8	COVER RR CENTER	83750-LEJ2-E10	0				
9	LEVER R STRG HNDL	53175-LDC8-E10	1	M3A			
10	LEVER STEERING	53178-LCD1-C00	3	N1R			
11	COVER BATTERY	50326-LEJ2-E10	0				
12	COVER UNDER	50613-LEJ2-E10	0				
13	COVER HANDLE RR	53206-LEJ2-E10	0				
14	FLOOR PANEL	64310-LEJ2-E10	0				
15	GRILL R SIDE MOLD	64313-LEJ2-E10	0				
16	FENDER RR TIRE	80100-LEJ3-E10	0				
17	FENDER REAR	80105-LEJ2-E10	0				
18	FENDER RR LOW	80106-LEJ2-E10	1				
19	LID INNER BOX	81132-LEJ2-E10	0				
20	COVER L SIDE A	83610-LEJ2-E10	0	N8A			
21	CARRIER RR	81200-LEJ3-E10	2	N1P			
22	MOLD R SIDE	64302-LEJ2-E10	0				
23	MOLD L SIDE	64303-LEJ2-E10	0				
24	TOP FRONT COVER	64309-LEJ2-E10	0				
25	COVER R SIDE B	83520-LEJ2-E10	0				
DATE OF STARTING-SALES							
DATE OF END-SALES							

NO	MODEL			COLOR CHART OF KL25SA(GR)			
	PHOTO NO			NO. 9			
	BASIC COLOR						
	CODE						
	PARTS NAME	PARTS NO.	VERSION	RR136PA			
1	COVER HANDLE FR	53205-LEJ2-E10	5	R9P			
2	FENDER FR	61100-LEJ2-E10	0				
3	COVER FR	64301-LEJ2-E10	1				
4	SKIRT R SIDE	64305-LEJ2-E10	0				
5	SKIRT L SIDE	64306-LEJ2-E10	0				
6	COVER R BODY	83500-LEJ2-E10	0				
7	COVER L BODY	83600-LEJ2-E10	0				
8	COVER RR CENTER	83750-LEJ2-E10	0				
9	LEVER R STRG HNDL	53175-LDC8-E10	1	M3A			
10	LEVER STEERING	53178-LCD1-C00	3				
11	COVER BATTERY	50326-LEJ2-E10	0	N1R			
12	COVER UNDER	50613-LEJ2-E10	0				
13	COVER HANDLE RR	53206-LEJ2-E10	0				
14	FLOOR PANEL	64310-LEJ2-E10	0				
15	GRILL R SIDE MOLD	64313-LEJ2-E10	0				
16	FENDER RR TIRE	80100-LEJ3-E10	0				
17	FENDER REAR	80105-LEJ2-E10	0				
18	FENDER RR LOW	80106-LEJ2-E10	1				
19	LID INNER BOX	81132-LEJ2-E10	0				
20	COVER L SIDE A	83610-LEJ2-E10	0				
21	CARRIER RR	81200-LEJ3-E10	2	N8A			
22	MOLD R SIDE	64302-LEJ2-E10	0	N1P			
23	MOLD L SIDE	64303-LEJ2-E10	0				
24	TOP FRONT COVER	64309-LEJ2-E10	0				
25	COVER R SIDE B	83520-LEJ2-E10	0				
DATE OF STARTING-SALES							
DATE OF END-SALES							

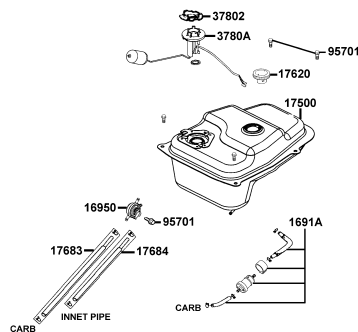
NO	MODEL			COLOR CHART OF KL25SA(GR)						
	PHOTO NO			NO. 1	NO. 2	NO. 3	NO. 4			
	BASIC COLOR			Orange	Vivid Yellow					
	CODE			Orange	Vivid Yellow					
	PARTS NAME	PARTS NO.	VERSION	MR068PA	YR039SA	YR039SA	NH125FA			
26	COVER L SIDE B	83620-LEJ2-E10	0	N8P	BAP		Q5P			
27	CARRIER RR	81200-LEJ2-E10	0							
28	"COVER, LEFT"	11340-LEJ3-E11	0	NEA						
29	"WHEEL CAST,RR"	42601-LEJ2-E10	0							
30	WHEEL ASSY FR	44600-LEJ2-E81	0							
31	WHEEL CAST FR	44601-LEJ2-E10	0							
32	STAY L RR STEP	50712-LEJ3-E10	1							
33	FORK ASSY RH FR	51400-LEJ2-E10	2							
34	FORK ASSY LH FR	51500-LEJ2-E10	2							
35	MIRROR ASSY R BACK	88110-LEB5-C11	0					NEP		
36	MIRROR ASSY L BACK	88120-LEB5-C11	0					NE		
37	WHEEL ASSY RR	42600-LEJ2-E10	0					T01		
38	CAUTION ANTI	87224-LEJ3-EZ0	0							
39	LABEL TIRE	87505-LEJ2-E00	0							
40	MARK MAINT CAUTION	87541-GAR1-C01	1							
41	STRIPE GRAB RR	87556-LEJ2-E00	2	T02						
42	MARK DRIVE CAUTION	87560-GFY6-C01	3							
43	STRIPE FR COVER	86101-LEJ2-E00	2	T02	T01		T02			
44	EMB B BODY COVER	86212-LEJ3-E10	0	T02						
45	STRIPE R BODY COVER	86221-LEJ2-E00	0	T03				T02		
46	STRIPE L BODY COVER	86231-LEJ2-E00	0							
47	STRIPE R SIDE MOLD	86310-LEJ2-E00	0							
48	STRIPE L SIDE MOLD	86320-LEJ2-E00	0							
49	STRIPE B R/L SIDE	86330-LEJ2-E00	0							
50	STRIPE B R/L SIDE	86350-LEJ2-E00	0						T01	
DATE OF STARTING-SALES										
DATE OF END-SALES										

NO	MODEL			COLOR CHART OF KL25SA(GR)							
	PHOTO NO			NO. 5	NO. 6	NO. 7	NO. 8				
	BASIC COLOR			Mat Black Metallic	Black		Bright Red				
	CODE			Mat Black Metallic	Black		Bright Red				
	PARTS NAME	PARTS NO.	VERSION	NH125FA	NH001SA	NH001SA	RR136PA				
26	COVER L SIDE B	83620-LEJ2-E10	0	Q5P	N1P						
27	CARRIER RR	81200-LEJ2-E10	0	Q5P	N8P		N1P				
28	"COVER, LEFT"	11340-LEJ3-E11	0	NEA							
29	"WHEEL CAST,RR"	42601-LEJ2-E10	0								
30	WHEEL ASSY FR	44600-LEJ2-E81	0								
31	WHEEL CAST FR	44601-LEJ2-E10	0								
32	STAY L RR STEP	50712-LEJ3-E10	1								
33	FORK ASSY RH FR	51400-LEJ2-E10	2								
34	FORK ASSY LH FR	51500-LEJ2-E10	2								
35	MIRROR ASSY R BACK	88110-LEB5-C11	0					NEP			
36	MIRROR ASSY L BACK	88120-LEB5-C11	0								
37	WHEEL ASSY RR	42600-LEJ2-E10	0					NE			
38	CAUTION ANTI	87224-LEJ3-EZ0	0								
39	LABEL TIRE	87505-LEJ2-E00	0	T01							
40	MARK MAINT CAUTION	87541-GAR1-C01	1								
41	STRIPE GRAB RR	87556-LEJ2-E00	2								
42	MARK DRIVE CAUTION	87560-GFY6-C01	3	T02							
43	STRIPE FR COVER	86101-LEJ2-E00	2								
44	EMB B BODY COVER	86212-LEJ3-E10	0	T02							
45	STRIPE R BODY COVER	86221-LEJ2-E00	0								
46	STRIPE L BODY COVER	86231-LEJ2-E00	0	T02							
47	STRIPE R SIDE MOLD	86310-LEJ2-E00	0								
48	STRIPE L SIDE MOLD	86320-LEJ2-E00	0								
49	STRIPE B R/L SIDE	86330-LEJ2-E00	0								
50	STRIPE B R/L SIDE	86350-LEJ2-E00	0								
								T02	T05		T04
DATE OF STARTING-SALES											
DATE OF END-SALES											

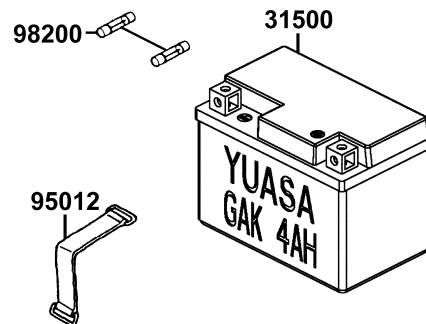
NO	MODEL			COLOR CHART OF KL25SA(GR)				
	PHOTO NO			NO. 9				
	BASIC COLOR							
	CODE							
	PARTS NAME	PARTS NO.	VERSION	RR136PA				
26	COVER L SIDE B	83620-LEJ2-E10	0	N1P				
27	CARRIER RR	81200-LEJ2-E10	0					
28	"COVER, LEFT"	11340-LEJ3-E11	0	NEA				
29	"WHEEL CAST,RR"	42601-LEJ2-E10	0					
30	WHEEL ASSY FR	44600-LEJ2-E81	0					
31	WHEEL CAST FR	44601-LEJ2-E10	0					
32	STAY L RR STEP	50712-LEJ3-E10	1					
33	FORK ASSY RH FR	51400-LEJ2-E10	2					
34	FORK ASSY LH FR	51500-LEJ2-E10	2					
35	MIRROR ASSY R BACK	88110-LEB5-C11	0		NEP			
36	MIRROR ASSY L BACK	88120-LEB5-C11	0		NE			
37	WHEEL ASSY RR	42600-LEJ2-E10	0					
38	CAUTION ANTI	87224-LEJ3-EZ0	0	T01				
39	LABEL TIRE	87505-LEJ2-E00	0					
40	MARK MAINT CAUTION	87541-GAR1-C01	1					
41	STRIPE GRAB RR	87556-LEJ2-E00	2					
42	MARK DRIVE CAUTION	87560-GFY6-C01	3	T02				
43	STRIPE FR COVER	86101-LEJ2-E00	2					
44	EMB B BODY COVER	86212-LEJ3-E10	0					
45	STRIPE R BODY COVER	86221-LEJ2-E00	0					
46	STRIPE L BODY COVER	86231-LEJ2-E00	0					
47	STRIPE R SIDE MOLD	86310-LEJ2-E00	0		T04			
48	STRIPE L SIDE MOLD	86320-LEJ2-E00	0					
49	STRIPE B R/L SIDE	86330-LEJ2-E00	0					
50	STRIPE B R/L SIDE	86350-LEJ2-E00	0					
DATE OF STARTING-SALES								
DATE OF END-SALES								

CONTENTS - FRAME GROUP

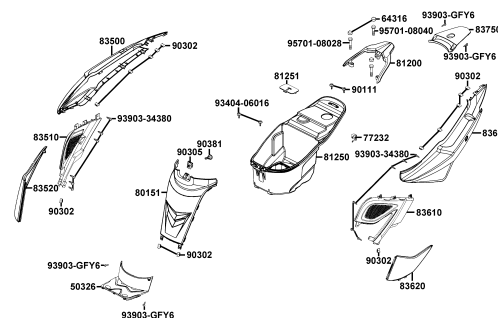
F10 Fuel Tank



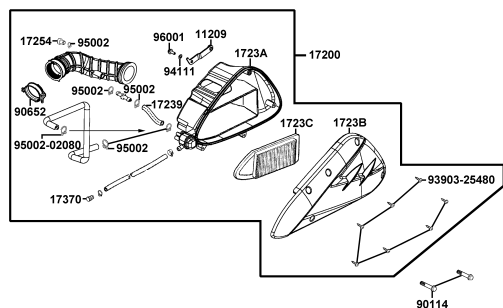
F11 Battery



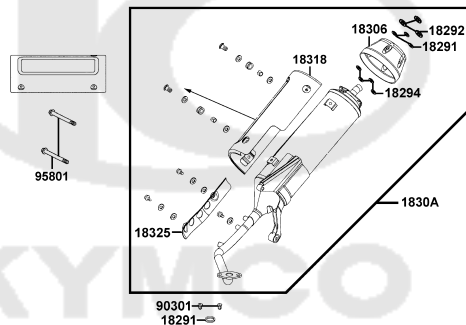
F12 Body Cover Luggage Box



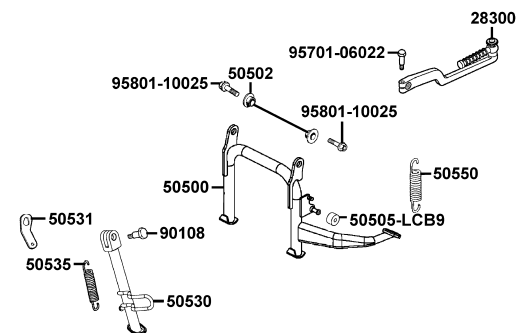
F13 Air Cleaner



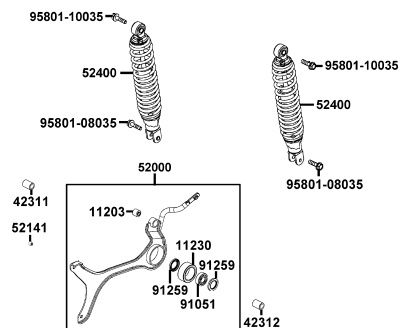
F14 Exhaust Muffler



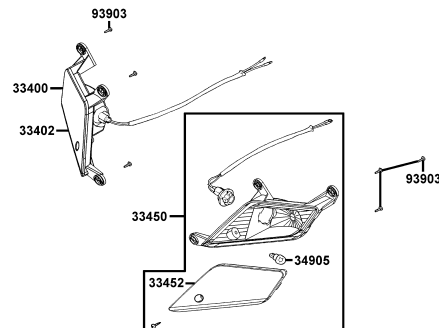
F15 Stand Kick Starter Arm



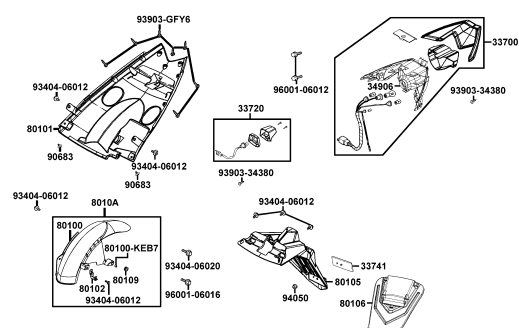
F16 Rear Cushion



F17 Front Winker

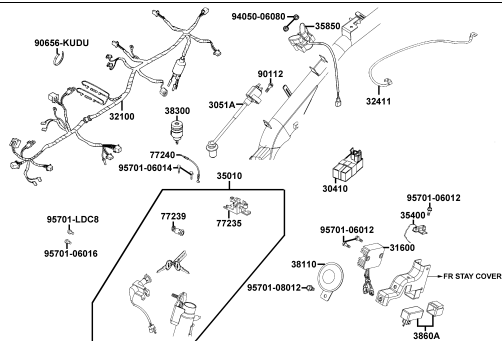


F18 Tail Light

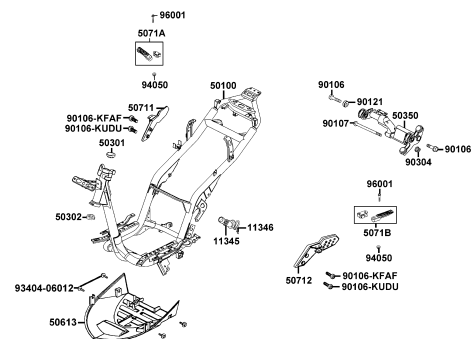


CONTENTS - FRAME GROUP

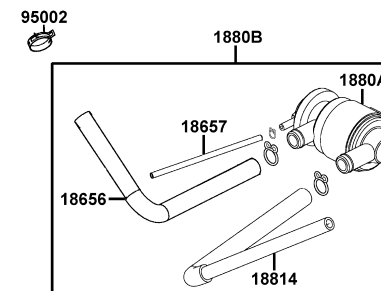
F19 Wire Harness



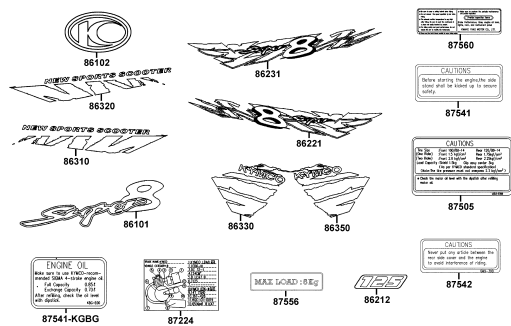
F20 Frame Body



F21 Air Cleaner Two

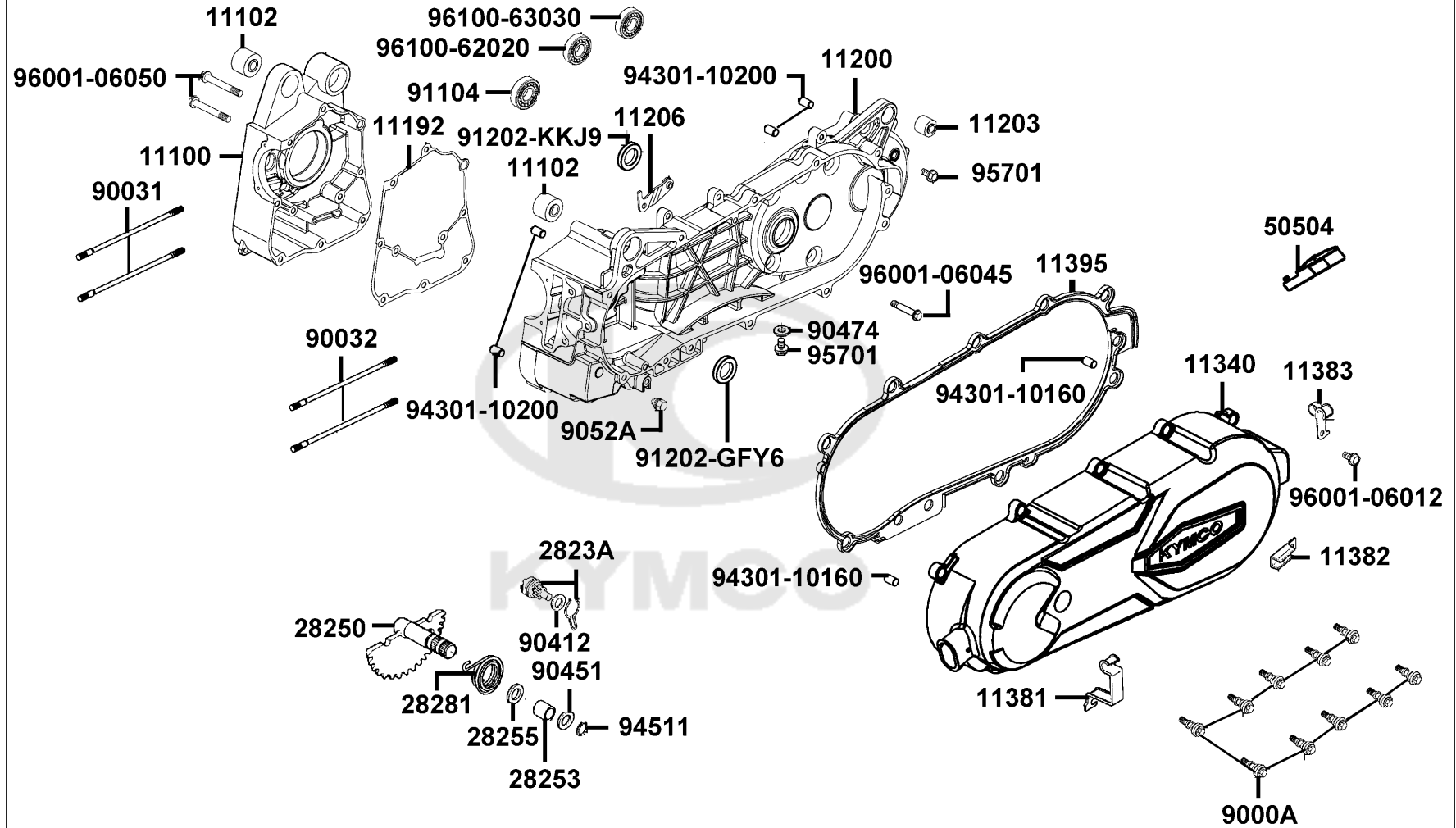


F22 Emblem Stripe



E01

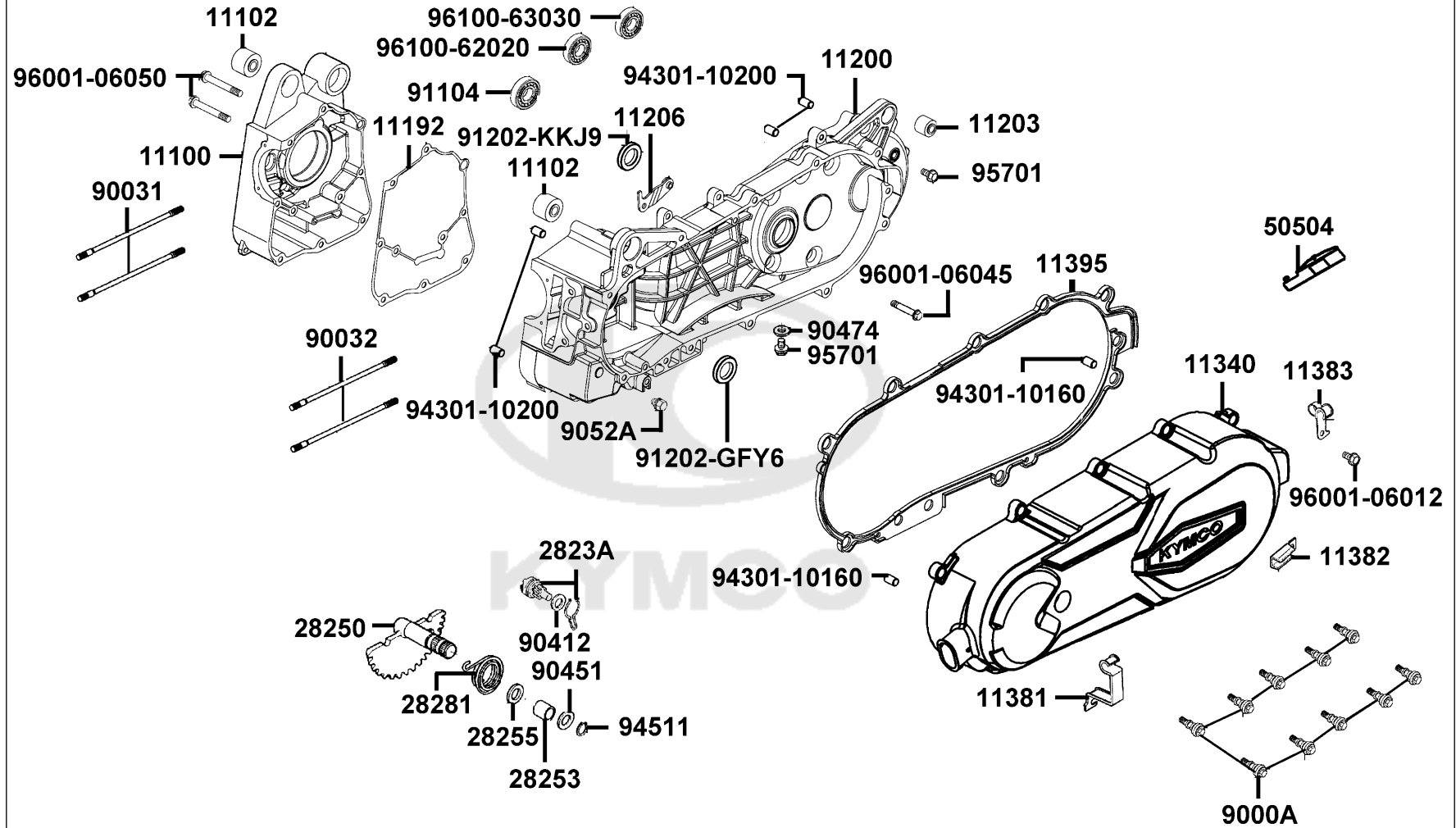
Crank Case



Sales mark	Ref no	Part no	Description	Reg description	Regd no	E01
	11100	11100-KUDU-C00	CRANK CASE COMP R	CRANK CASE COMP R	1	
	11102	11102-1G87-C00	RUBBER BUSH ENGINE HANGER	RUBBER BUSH ENGINE HANGER	1	
	11192	11192-KUDU-C10	GASKET CRANK CASE A	GASKET CRANK CASE A	1	
	11200	11200-LCD3-C00	CRANK CASE COMP L	CRANK CASE COMP L	1	
	11203	11203-GGC7-W10	UNDER RUBBER BUSH RR CUSHION	UNDER RUBBER BUSH RR CUSHION	1	
	11206	11206-LCD3-C00	STAY A RR FENDER	STAY A RR FENDER	1	
**	11340	11340-LEJ3-E11	"COVER, LEFT"	"COVER, LEFT"	1	
	11381	11381-KHB4-C00	CLAMPER THROTTLE CABLE	CLAMPER THROTTLE CABLE	1	
	11382	11382-LEJ3-E10	CLAMPER BRAKE CABLE3	CLAMPER BRAKE CABLE3	1	
	11383	11383-KUDU-C00	CLAMPER BRTH DRAIN TUBE	CLAMPER BRTH DRAIN TUBE	1	
	11395	11395-KHB4-C00	GASKET L COVER @A	GASKET L COVER @A	1	
	2823A	2823A-KNBN-C00	SPINDLE COMP KICK STARTER	SPINDLE COMP KICK STARTER	1	
	28250	28250-LEJ3-E10	SPINDLE COMP KICK STARTER	SPINDLE COMP KICK STARTER	1	
	28253	28253-GBN2-C00	BUSH KICK SPDL	BUSH KICK SPDL	1	
	28255	28255-GFS6-C00	COLLAR KICK BOSS	COLLAR KICK BOSS	1	
	28281	28281-GBN2-C00	SPRING KICK RETURN	SPRING KICK RETURN	1	
	50504	50504-LEJ3-E11	STAND MAIN STOPPER	STAND MAIN STOPPER	1	
	9000A	9000A-LEJ2-E10	BOLT ASSY SPECIAL 6*29.5	BOLT ASSY SPECIAL 6*29.5	10	
	90031	90031-KUDU-C00	BOLT A STUD 8*200.5	BOLT A STUD 8*200.5	1	
	90032	90032-KUDU-C00	BOLT B STUD 8*208.5	BOLT B STUD 8*208.5	1	

E01

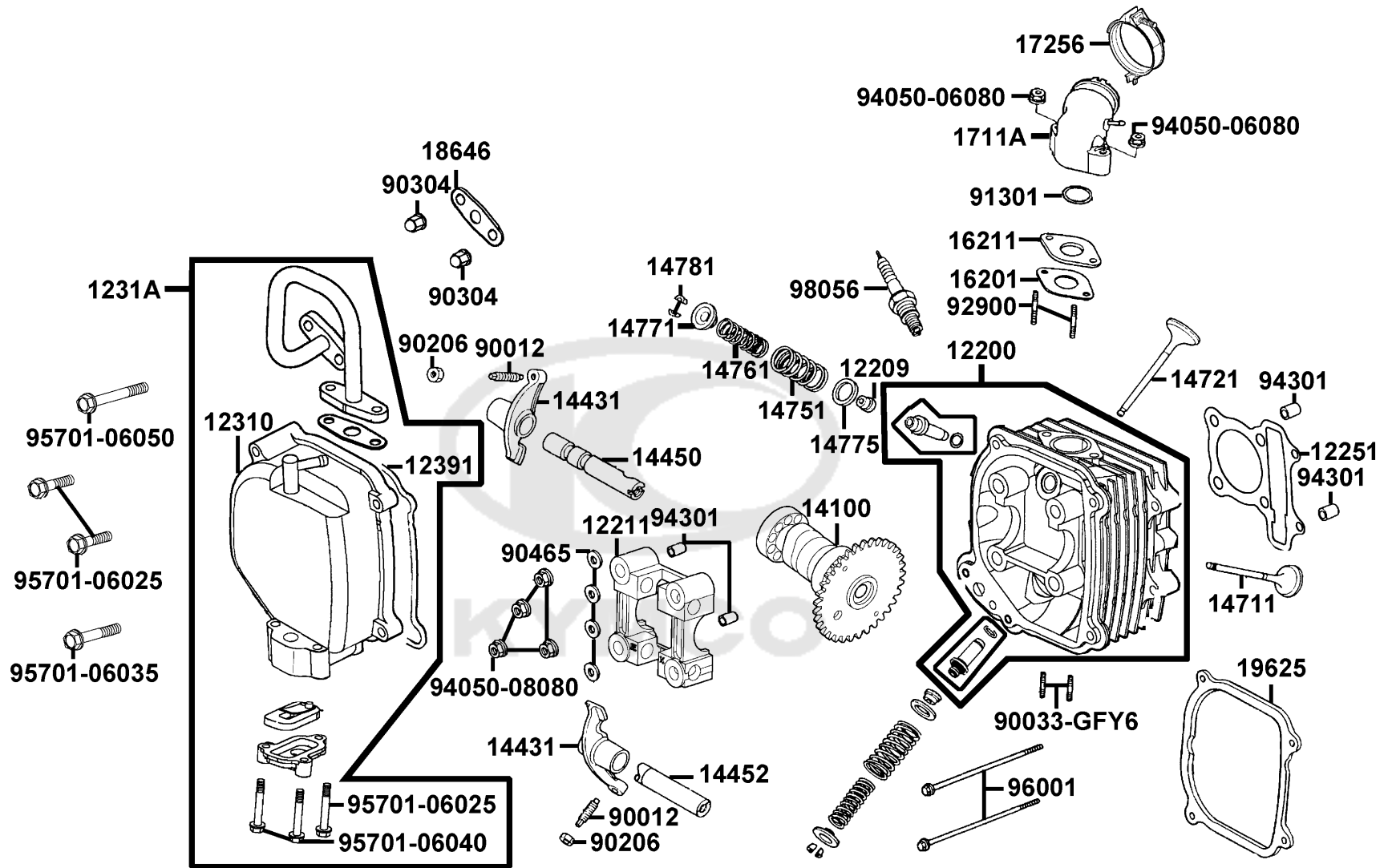
Crank Case



Sales mark	Ref no	Part no	Description	Reg description	Regd no	E01
90412		90412-3K29-C00	WASHER THRUST 10M/M	WASHER THRUST 10M/M	1	
90451		90451-GBN2-C00	WASHER KICK SPINDLE	WASHER KICK SPINDLE	1	
90474		90474-3C33-C00	WASHER 8MM (T*2)	WASHER 8MM (T*2)	1	
9052A		9052A-GFY6-C00	BLOT ASSY DRAIN PLUG	BLOT ASSY DRAIN PLUG	1	
91104		91104-KGN7-671	BRG BALL RADIAL 6204	BRG BALL RADIAL 6204	1	
91202-GFY6		91201-GFY6-C00	OIL SEAL 19.8*30*5	OIL SEAL 19.8*30*5	1	
91202-KKJ9		91202-KKJ9-C00	OIL SEAL 20*32*6	OIL SEAL 20*32*6	1	
94301-10160		94301-10160	DOWEL PIN 10*16	DOWEL PIN 10*16	4	
94301-10200		94301-10200-M2	DOWEL PIN 10*20	DOWEL PIN 10*20	2	
94511		94511-14000	CIR CLIP EX 14	CIR CLIP EX 14	1	
95701		95701-08012-08	BOLT FLANGE 8*12 (C)	BOLT FLANGE 8*12 (C)	2	
96001-06012		96001-06012-08	BOLT FLANGE 6*12	BOLT FLANGE 6*12	2	
96001-06045		96001-06045-08	BOLT FLANGE SH 6*45 (C)	BOLT FLANGE SH 6*45 (C)	10	
96001-06050		96001-06050-08	BOLT FLANGE	BOLT FLANGE	2	
96100-62020		96100-62020-00	BEARING BALL RADIAL 6202	BEARING BALL RADIAL 6202	1	
96100-63030		96100-63030-00	BEARING BALL RADIAL 6303	BEARING BALL RADIAL 6303	1	

E02

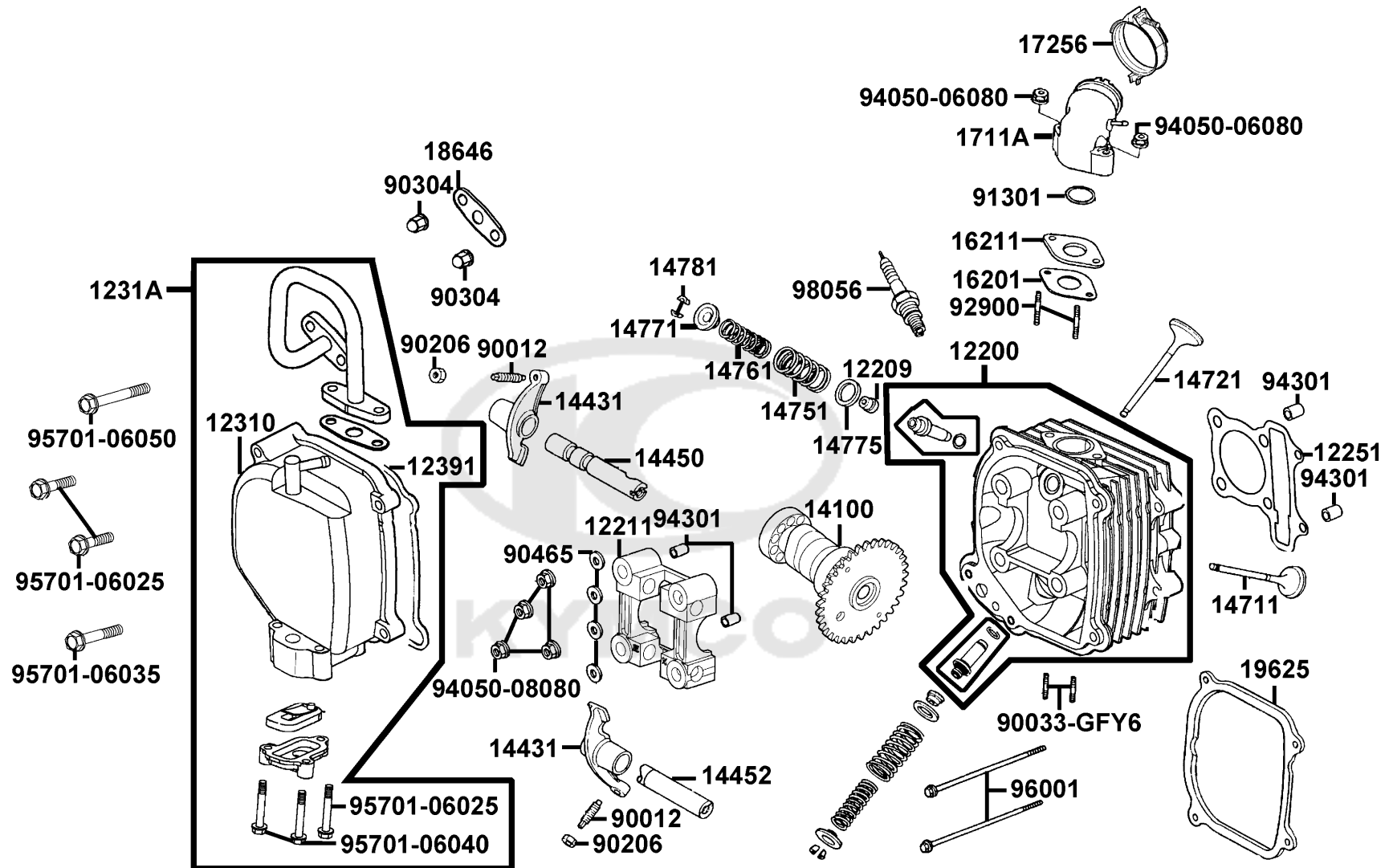
Cylinder Head



Sales mark	Ref no	Part no	Description	Reg description	Regd no	E02
12200		12200-KUDU-C10	HEAD COMP CYLN	HEAD COMP CYLN	1	
12209		12209-GDB4-C00	SEAL VALVE STEM	SEAL VALVE STEM	1	
12211		12211-KUDU-W10	HOLDER CAM SHAFT COMP	HOLDER CAM SHAFT COMP	1	
12251		12251-GFY6-C00	GASKET CYLINDER HEAD	GASKET CYLINDER HEAD	1	
12310		12310-KHC4-900	COVER COMP HEAD	COVER COMP HEAD	1	
1231A		1231A-KHC4-900	COVER ASSY HEAD	COVER ASSY HEAD	1	
12391		12391-GFY6-C10	GASKET HEAD COVER	GASKET HEAD COVER	1	
14100		14100-LGS6-E10	SHAFT COMP CAM	SHAFT COMP CAM	1	
14431		14431-KUDU-W10	ARM VALVE ROCKER	ARM VALVE ROCKER	2	
14450		14450-GFY6-W10	SHAFT COMP IN ROCKER ARM	SHAFT COMP IN ROCKER ARM	1	
14452		14452-GFY6-W10	SHAFT EXH ROCKER ARM	SHAFT EXH ROCKER ARM	1	
14711		14711-KUDU-C00	VALVE INLET	VALVE INLET	1	
14721		14721-KUDU-C00	VALVE EXHAUST	VALVE EXHAUST	1	
14751		14751-KKJ9-C00	SPRING VALVE OUTER	SPRING VALVE OUTER	1	
14761		14761-KKJ9-C00	SPG VALVE INNER	SPG VALVE INNER	1	
14771		14771-GDB4-C00	RETAINER VALVE SPRING	RETAINER VALVE SPRING	1	
14775		14775-MFA6-C00	SEAT VALVE SPG OUTER	SEAT VALVE SPG OUTER	1	
14781		14781-MFA6-C00	COTTER VALVE	COTTER VALVE	1	
16201		16201-GFY6-901	GASKET CARBURETOR INSULATOR	GASKET CARBURETOR INSULATOR	1	
16211		16211-GFY6-W10	INSULATOR CARB	INSULATOR CARB	1	

E02

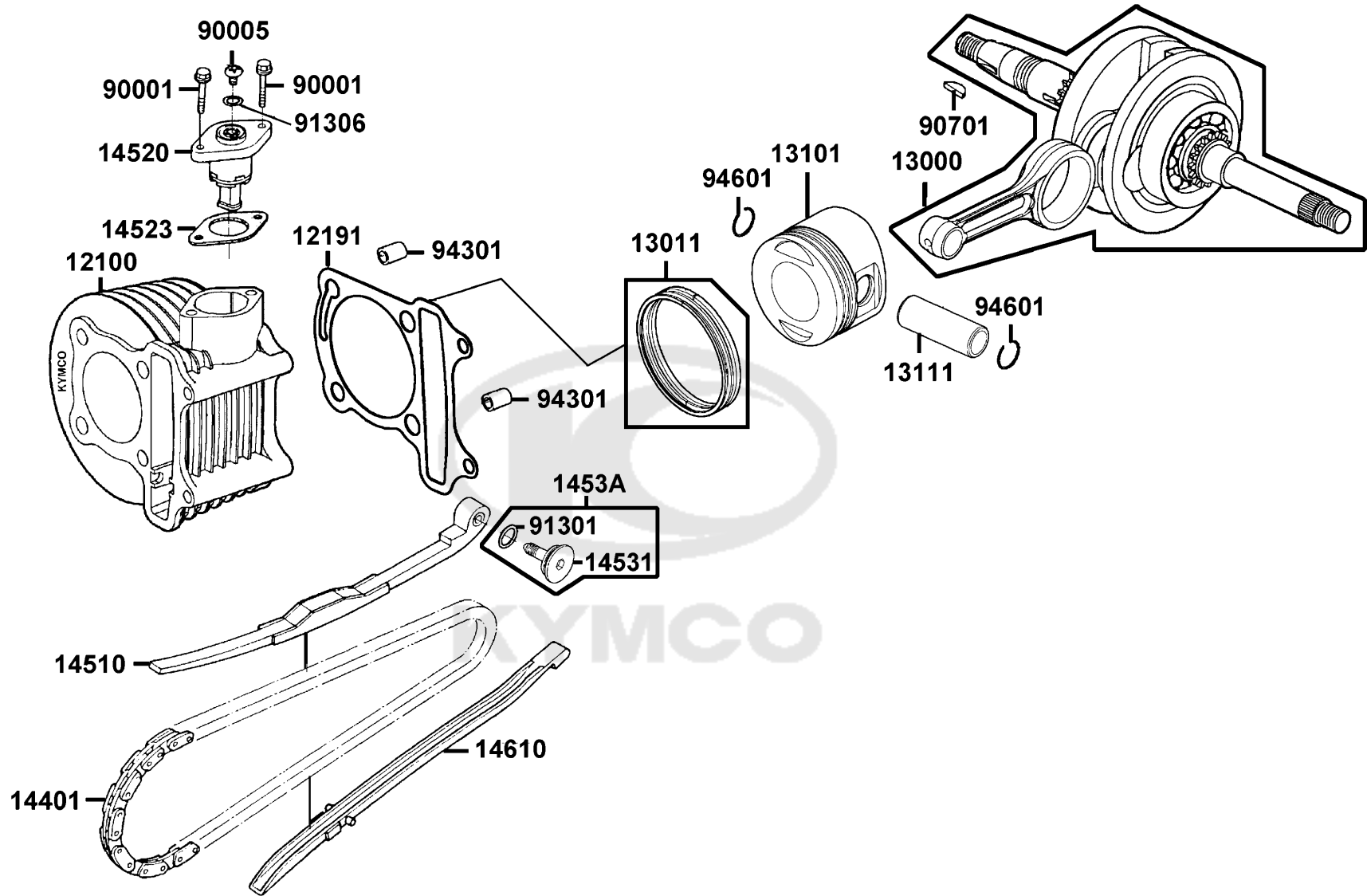
Cylinder Head



Sales mark	Ref no	Part no	Description	Reg description	Regd no	E02
	1711A	1711A-LEJ3-E10	PIPE ASSY INLET	PIPE ASSY INLET	1	
	17256	17256-GFY6-C00	BAND INSULATOR	BAND INSULATOR	1	
	18646	18646-GFY6-941	GASKET A	GASKET A	1	
	19625	19625-KUDU-C00	SEAL SHROUD	SEAL SHROUD	1	
	90012	90012-3C33-C00	SCREW TAPPET ADJUSTING	SCREW TAPPET ADJUSTING	1	
	90033	90033-GFY6-C00	BOLT 8*32	BOLT 8*32	1	
	90206	90206-0A01-C00	NUT TAPPET ADJG	NUT TAPPET ADJG	1	
	90304	90304-4H38-C00	NUT HEX CAP 6MM	NUT HEX CAP 6MM	1	
	90465	90465-MDC4-C00	WASHER 8MM	WASHER 8MM	1	
	91301	91301-0H28-C00	O-RING 27*2	O-RING 27*2	1	
	92900	92900-06060-0B	BOLT STUD 6*60	BOLT STUD 6*60	2	
	94050-06080	94050-06080	NUT FLANG 6MM	NUT FLANG 6MM	2	
	94050-08080	94050-08080	NUT FLANGE 8MM	NUT FLANGE 8MM	4	
	94301	94301-10160	DOWEL PIN 10*16	DOWEL PIN 10*16	4	
	95701-06025	95701-06025-08	BOLT FLANGE 6*25	BOLT FLANGE 6*25	2	
	95701-06035	95701-06035-08	BOLT FLANGE 6*35 (C)	BOLT FLANGE 6*35 (C)	1	
	95701-06040	95701-06040-08	BOLT FLANGE 6*40 (C)	BOLT FLANGE 6*40 (C)	1	
	95701-06050	95701-06050-08	BOLT FLANGE 6*30 (C)	BOLT FLANGE 6*30 (C)	1	
	96001	96001-06100-08	BOLT FLANGE SH 6*100 (C)	BOLT FLANGE SH 6*100 (C)	2	
	98056	98056-5771R-00	SPARK PLUG	SPARK PLUG	1	

E03

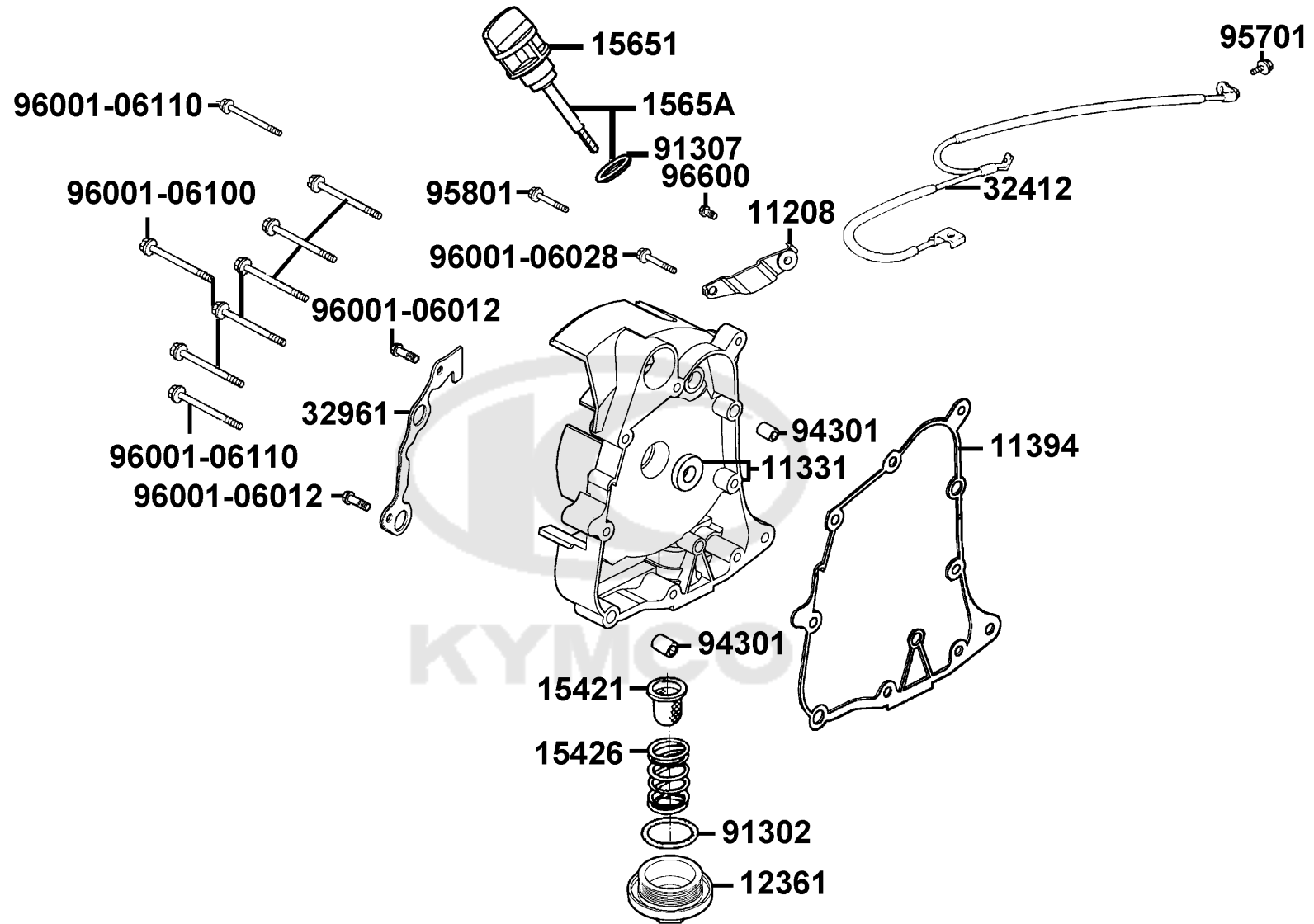
Cylinder Piston Crankshaft



Sales mark	Ref no	Part no	Description	Reg description	Regd no	E03
	12100	12100-GFY6-C00	CYLINDER COMP	CYLINDER COMP	1	
	12191	12191-GFY6-C10	GASKET CYLINDER @A	GASKET CYLINDER @A	1	
	13000	13000-KUDU-C00	CRANK SHAFT COMP	CRANK SHAFT COMP	1	
	13011	13011-GFY6-C00	RING ASSY. PISTON	RING ASSY. PISTON	1	
	13101	13101-KUDU-C00	PISTON	PISTON	1	
	13111	13111-3D84-C00	PIN,PISTON	PIN,PISTON	1	
	14401	14401-KUDU-C00	CHAIN CAM	CHAIN CAM	1	
	14510	14510-KUDU-W10	TENSIONER CAM CHAIN	TENSIONER CAM CHAIN	1	
	14520	14520-GFY6-C00	TENSIONER LIFTER	TENSIONER LIFTER	1	
	14523	14523-GFY6-901	GASKET TENSIONER LIFTER	GASKET TENSIONER LIFTER	1	
	14531	14531-GLR0-W10	PIVOT CAM CHAIN TENSIONER	PIVOT CAM CHAIN TENSIONER	1	
	1453A	1453A-GFY6-W10	PIVOT CAM CHAIN SET	PIVOT CAM CHAIN SET	1	
	14610	14610-KUDU-C10	GUIDE COMP CAM CHAIN	GUIDE COMP CAM CHAIN	1	
	90001	90001-GBHB-C00	BOLT FLANGE SHF 6*22 (B)	BOLT FLANGE SHF 6*22 (B)	1	
	90005	90005-KAW1-901	SCREW PAN 6*6	SCREW PAN 6*6	1	
	90701	90701-HFB6-C00	KEY WOODRUFF 25*14*4	KEY WOODRUFF 25*14*4	1	
	91301	91301-GLR0-W10	O-RING 15.2*1.5	O-RING 15.2*1.5	1	
	91306	91306-1E05-C00	O-RING 1.5*9.5	O-RING 1.5*9.5	1	
	94301	94301-10160	DOWEL PIN 10*16	DOWEL PIN 10*16	2	
	94601	94601-15000	CLIP PISTON PIN 15MM	CLIP PISTON PIN 15MM	2	

E04

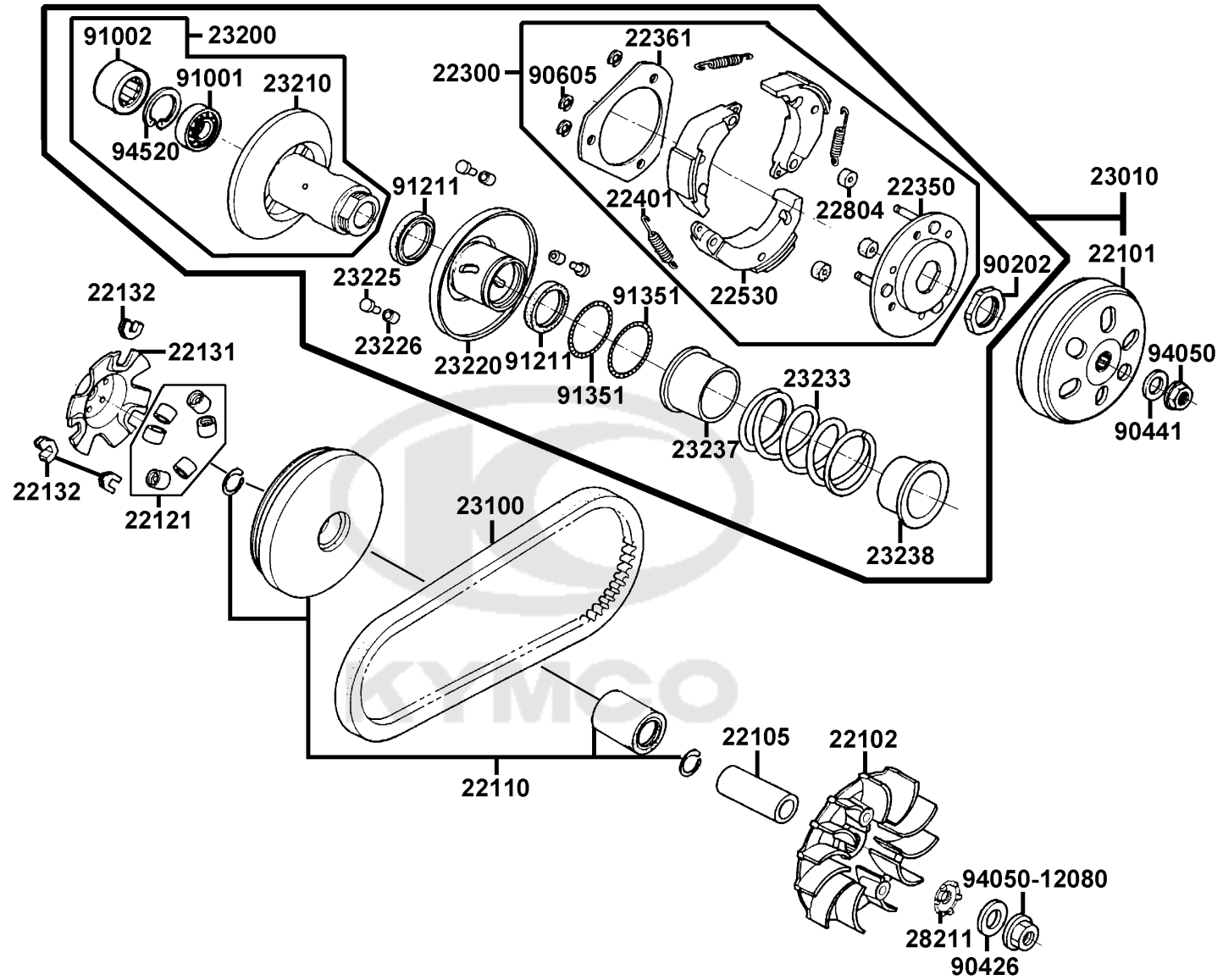
Right Crankcase Cover



Sales mark	Ref no	Part no	Description	Reg description	Regd no	E04
11208		11208-LCD3-E00	STAY RR TIRE FENDER	STAY RR TIRE FENDER	1	
11331		11331-LCD3-E00	COVER R CRANK CASE	COVER R CRANK CASE	1	
11394		11394-KUDU-C10	STAY B RR FENDER	STAY B RR FENDER	1	
12361		12361-GFY6-C00	HOLE CAP TAPPET ADJUSTING	HOLE CAP TAPPET ADJUSTING	1	
15421		15421-1G07-W10	SCREEN OIL FILTER	SCREEN OIL FILTER	1	
15426		15426-GAE1-C00	SPG OIL FILTER SCREEN	SPG OIL FILTER SCREEN	1	
15651		15651-KUDU-W10	GAUGE OIL LEVEL	GAUGE OIL LEVEL	1	
1565A		1565A-KUDU-W10	GAUGE OIL LEVEL ASSY	GAUGE OIL LEVEL ASSY	1	
32412		32412-LDF7-E10	CABLE EARTH	CABLE EARTH	1	
32961		32961-KUDU-C00	CLAMPER ACG CORD	CLAMPER ACG CORD	1	
91302		91302-0A01-C00	O-RING 30.8	O-RING 30.8	1	
91307		91307-0E35-W10	O-RING18*3	O-RING18*3	1	
94301		94301-10160	DOWEL PIN 10*16	DOWEL PIN 10*16	2	
95701		95701-06012-08	BOLT FLANGE 6*12	BOLT FLANGE 6*12	1	
95801		95801-06040-08	BOLT FLANGE 6*40 (C)	BOLT FLANGE 6*40 (C)	1	
96001-06012		96001-06012-08	BOLT FLANGE 6*12	BOLT FLANGE 6*12	2	
96001-06028		96001-06028-08	BOLT FLANGE 6*28	BOLT FLANGE 6*28	1	
96001-06100		96001-06100-08	BOLT FLANGE SH 6*100 (C)	BOLT FLANGE SH 6*100 (C)	6	
96001-06110		96001-06110-08	BOLT FLANGE SH 6*110 (C)	BOLT FLANGE SH 6*110 (C)	2	
96600		96600-06012-10	SOCKET BOLT 6*12 (B)	SOCKET BOLT 6*12 (B)	1	

E05

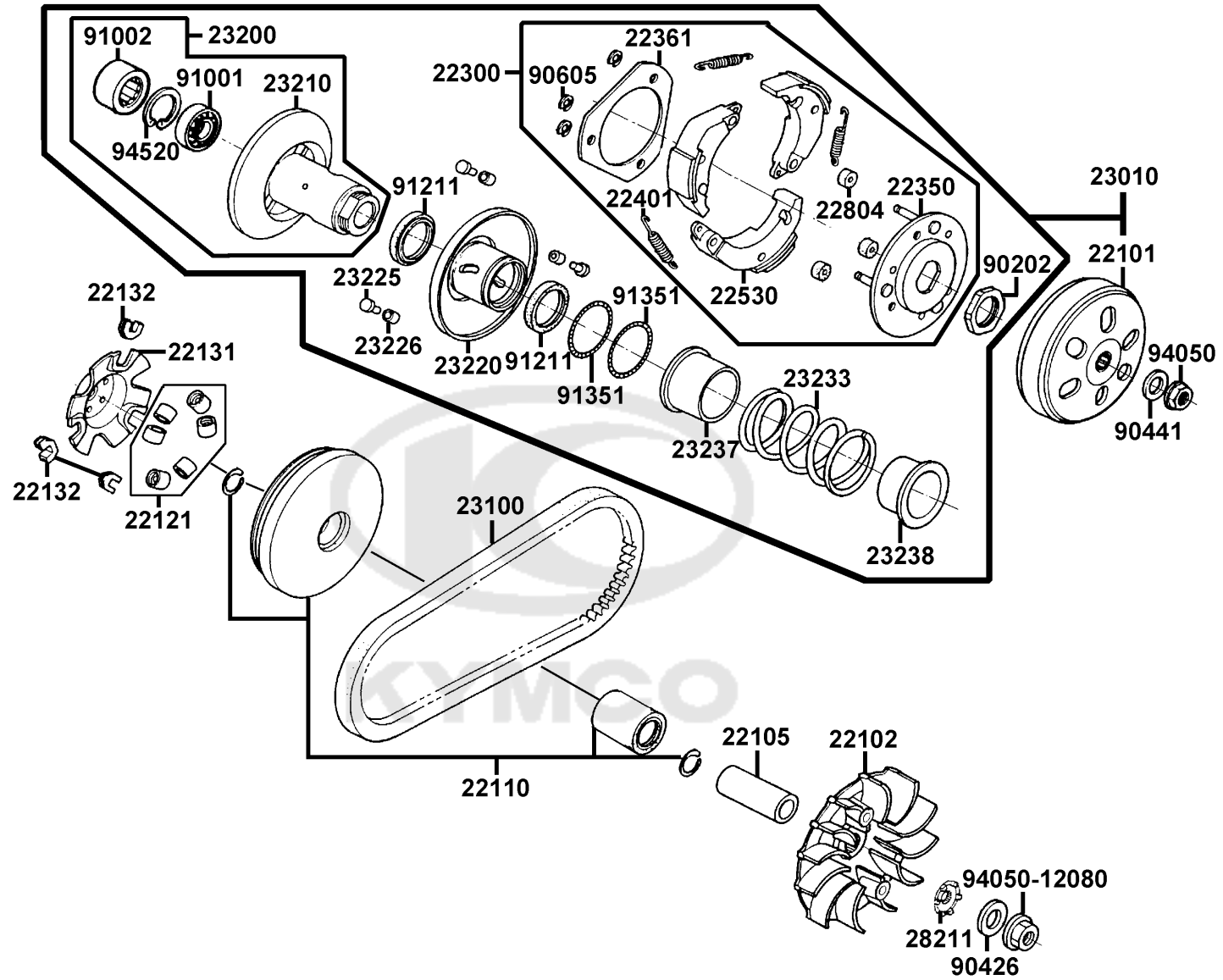
Driven Pulley



Sales mark	Ref no	Part no	Description	Reg description	Regd no	E05
22101		22101-LCD3-C00	OUTER CLUTCH	OUTER CLUTCH	1	
22102		22102-KUDU-E80	FACE DRIVE	FACE DRIVE	1	
22105		22105-GFY6-C00	BOSS DRIVE FACE	BOSS DRIVE FACE	1	
22110		22110-KUDU-E80	FACE MOVABLE DRIVE	FACE MOVABLE DRIVE	1	
22121		22121-GFY6-C00	ROLLER COMP WEIGHT	ROLLER COMP WEIGHT	1	
22131		22131-GFY6-C00	PLATE RAMP	PLATE RAMP	1	
22132		22132-KBN2-C00	PIECE SLIDE	PIECE SLIDE	1	
22300		22300-LCD3-C00	PLATE ASSY DRIVE	PLATE ASSY DRIVE	1	
22350		22350-GFY6-C00	PLATE COMP DRIVE	PLATE COMP DRIVE	1	
22361		22361-KGN7-C00	PLATE CLUTCH SIDE	PLATE CLUTCH SIDE	1	
22401		22401-LCD4-C00	SPRING CLUTCH	SPRING CLUTCH	1	
22530		22530-LCD3-C00	"WEIGHT,CLUTCH"	"WEIGHT,CLUTCH"	1	
22804		22804-GBB2-C00	RUBBER CLUTCH DUMRER	RUBBER CLUTCH DUMRER	1	
23010		23010-LEJ3-E10	FACE COMP MOVABLE DRIVEN	FACE COMP MOVABLE DRIVEN	1	
23100		23100-KEC4-C00	BELT DRIVE	BELT DRIVE	1	
23200		23200-GFY6-C00	FACE ASSY DRIVEN	FACE ASSY DRIVEN	1	
23210		23210-GFY6-C00	FACE COMP DRIVEN A	FACE COMP DRIVEN A	1	
23220		23220-GFY6-C00	FACE COMP DRIVEN H1	FACE COMP DRIVEN H1	1	
23225		23225-GHC8-C00	PIN ROLLER GUIDE	PIN ROLLER GUIDE	1	
23226		23226-GHC8-C00	ROLLER GUIDE	ROLLER GUIDE	1	

E05

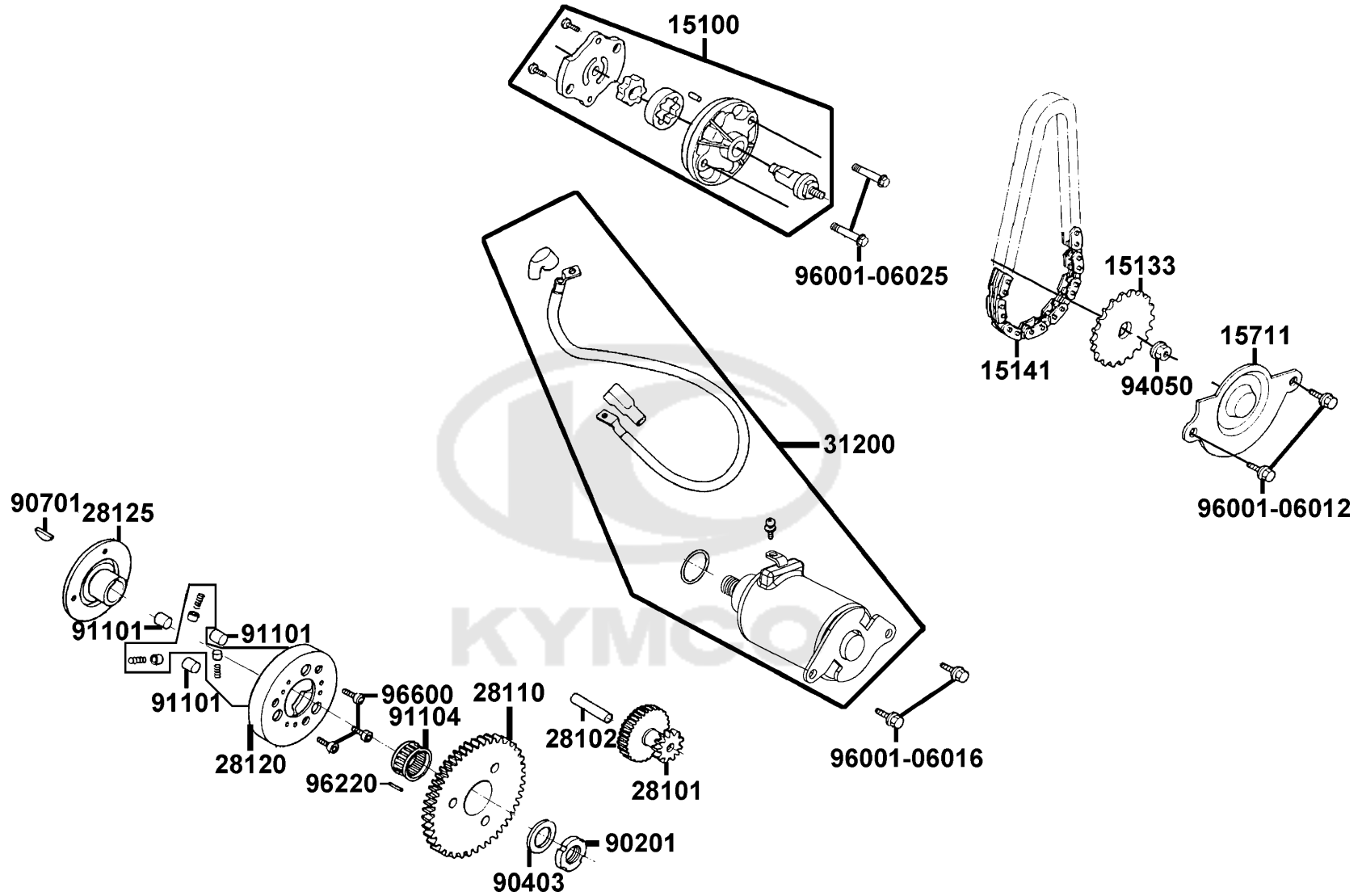
Driven Pulley



Sales mark	Ref no	Part no	Description	Reg description	Regd no	E05
23233		23233-GCW3-C00	SPG DRIVEN FACE	SPG DRIVEN FACE	1	
23237		23237-GFY6-C00	COLLAR SEAL	COLLAR SEAL	1	
23238		23238-GFY6-C00	COLLAR SPG	COLLAR SPG	1	
28211		28211-KUDU-W10	RATCHET KICK STARTER	RATCHET KICK STARTER	1	
90202		90202-1G87-C00	NUT SPECIAL 28MM	NUT SPECIAL 28MM	1	
90426		90426-KNBN-C00	WASHER SPECIAL 12MM	WASHER SPECIAL 12MM	1	
90441		90441-GFY6-C00	WASHER 12.2*29*2.5	WASHER 12.2*29*2.5	1	
90605		90605-1F66-C00	CIR CLIP 7MM	CIR CLIP 7MM	1	
91001		91001-GFY6-C00	BRG BALL RADIAL20*29*18	BRG BALL RADIAL20*29*18	1	
91002		91002-GGA7-C00	BRG BALL RADIAL6902U	BRG BALL RADIAL6902U	1	
91211		91211-KEBE-C00	SEAL DRIVEN FACE 34*41*4	SEAL DRIVEN FACE 34*41*4	1	
91351		91351-6B42-C00	O-RING PINION CAP	O-RING PINION CAP	1	
94050		94050-12080	NUT FLANGE 12MM (C)	NUT FLANGE 12MM (C)	2	
94520		94520-28000	CIR CLIP IN 28	CIR CLIP IN 28	1	

E06

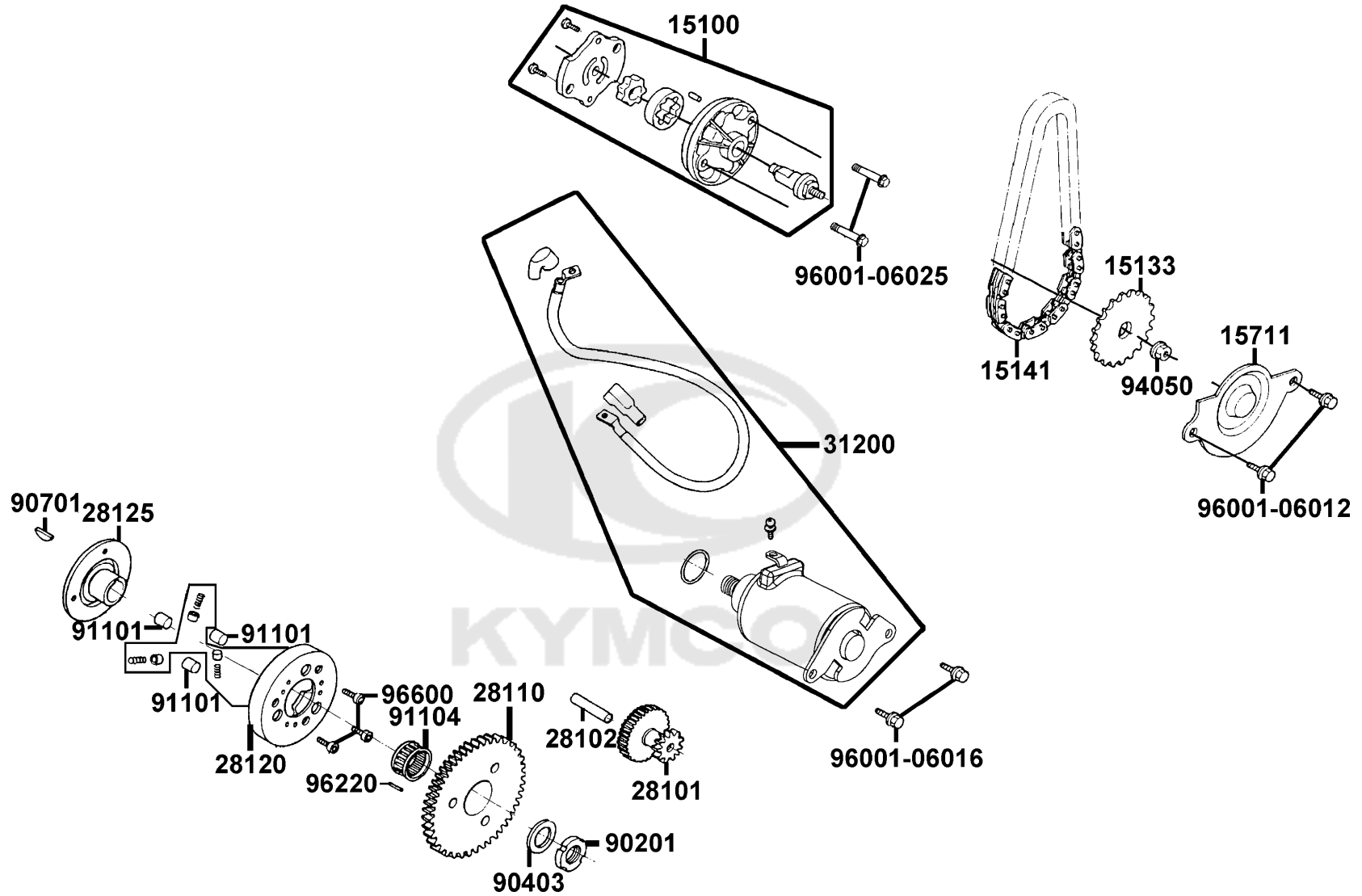
Starting Motor Oil Pump



Sales mark	Ref no	Part no	Description	Reg description	Regd no	E06
15100		15100-KFB7-C00	PUMP ASSY OIL	PUMP ASSY OIL	1	
15133		15133-GFY6-W10	SPROCKET OIL PUMP DRIVE	SPROCKET OIL PUMP DRIVE	1	
15141		15141-GFY6-C00	CHAIN OIL PUMP	CHAIN OIL PUMP	1	
15711		15711-KUDU-C00	SEPARATER OIL	SEPARATER OIL	1	
28101		28101-GFY6-C00	GEAR STARTER REDUCTION	GEAR STARTER REDUCTION	1	
28102		28102-GFY6-C00	SHAFT COMP STARTER REDUCTION	SHAFT COMP STARTER REDUCTION	1	
28110		28110-GFY6-C10	GEAR COMP STARTING CLUTCH	GEAR COMP STARTING CLUTCH	1	
28120		28120-GFY6-C00	OUTER COMP STARTING CLUTCH	OUTER COMP STARTING CLUTCH	1	
28125		28125-GFY6-C10	FLANGE STARTING CLUTCH	FLANGE STARTING CLUTCH	1	
31200		31200-KUDU-C00	"MOTOR ASS'Y,START"	"MOTOR ASS'Y,START"	1	
90201		90201-GFY6-901	NUT LOCK 22MM	NUT LOCK 22MM	1	
90403		90403-KUDU-900	WASHER THRUST 22.2*39*2.5	WASHER THRUST 22.2*39*2.5	1	
90701		90701-HFB6-C00	KEY WOODRUFF 25*14*4	KEY WOODRUFF 25*14*4	1	
91101		91101-1K79-C00	ROLLER 10*10	ROLLER 10*10	1	
91104		91104-GFY6-C00	BRG NEEDLE 28*32*17	BRG NEEDLE 28*32*17	1	
94050		94050-06080	NUT FLANG 6MM	NUT FLANG 6MM	1	
96001-06012		96001-06012-08	BOLT FLANGE 6*12	BOLT FLANGE 6*12	2	
96001-06016		96001-06016-08	BOLT FLANGE SH 6*16(C)	BOLT FLANGE SH 6*16(C)	2	
96001-06025		96001-06025-08	BOLT FLANGE SH 6*25 (C)	BOLT FLANGE SH 6*25 (C)	2	
96220		96220-60100	ROLLER 6*10	ROLLER 6*10	1	

E06

Starting Motor Oil Pump



Sales mark	Ref no	Part no	Description	Reg description	Regd no	E06
------------	--------	---------	-------------	-----------------	---------	------------

96600

96600-08010-10

SOCKET BOLT 8*10 (B)

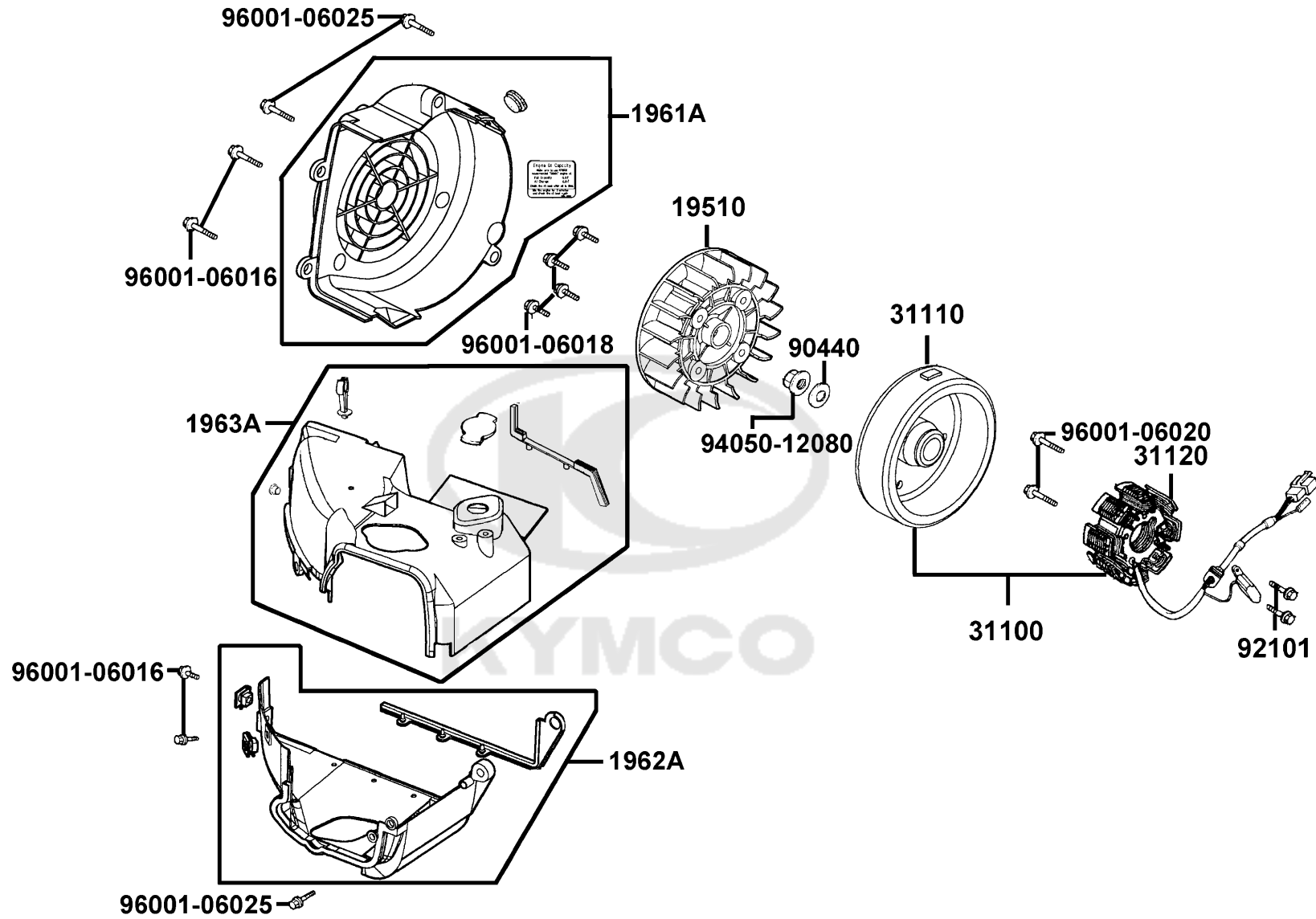
SOCKET BOLT 8*10 (B)

3

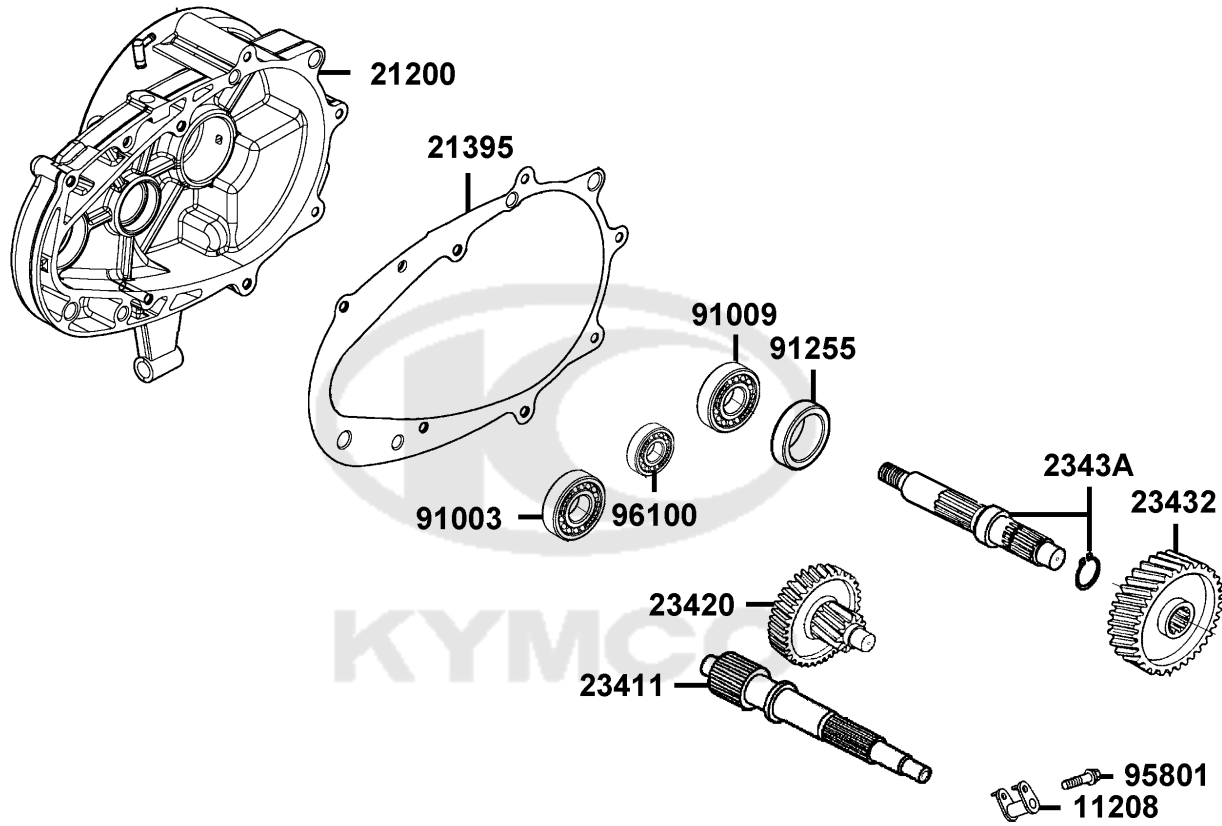


E07

Fan Cover Generator



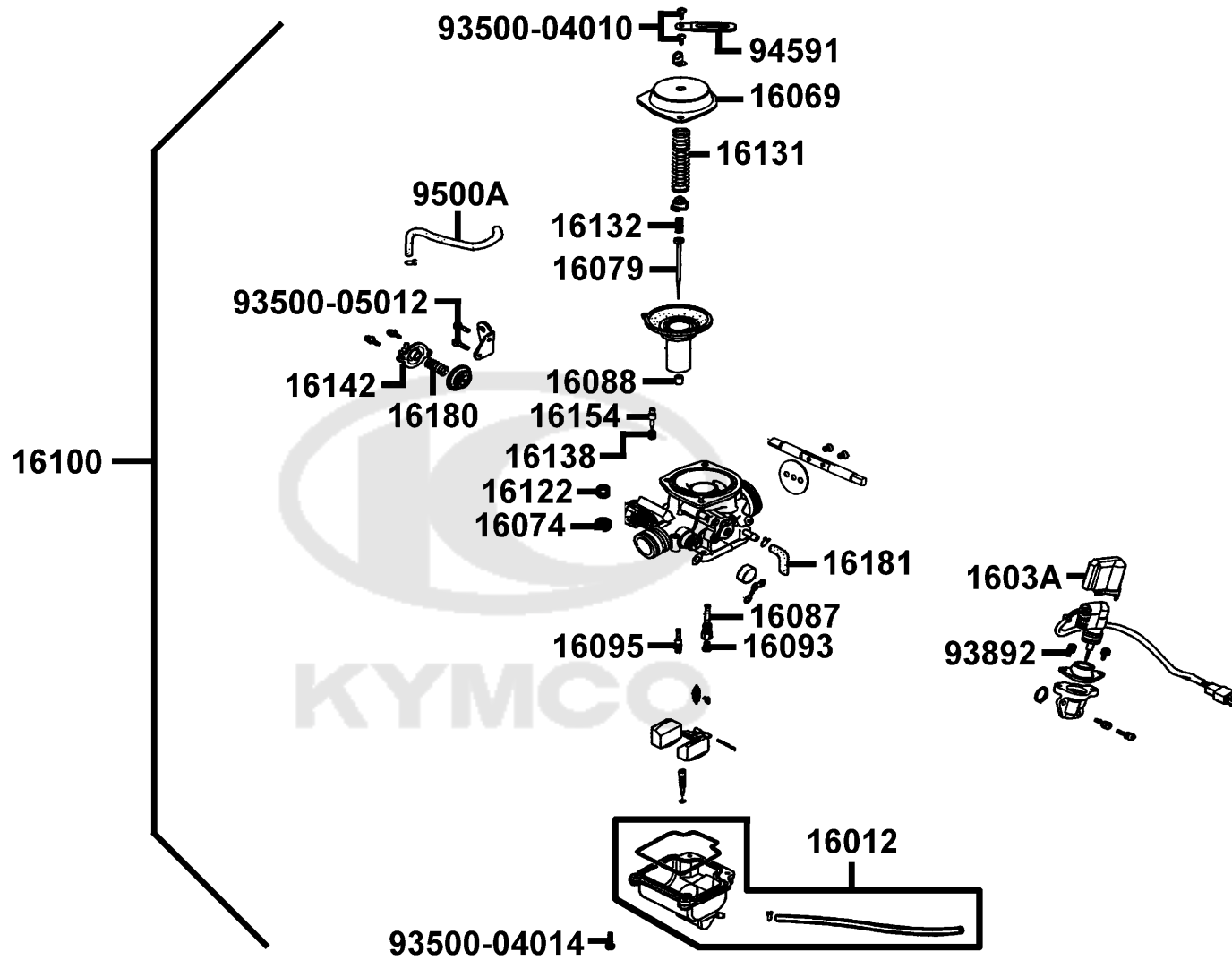
Sales mark	Ref no	Part no	Description	Reg description	Regd no	E07
	19510	19510-KFB7-C00	FAN COMP COOLING	FAN COMP COOLING	1	
	1961A	1961A-KUDU-E10	COVER ASSY FAN	COVER ASSY FAN	1	
	1962A	1962A-KKE3-C00	SHROUD ASSY A	SHROUD ASSY A	1	
	1963A	1963A-LDF7-E10	SHROUD COMP B	SHROUD COMP B	1	
	31100	31100-LEJ3-E10	AC GEN ASSY	AC GEN ASSY	1	
	31110	31110-LCD3-C00	FLYWHEEL COMP	FLYWHEEL COMP	1	
	31120	31120-LEJ3-E10	STATOR COMP	STATOR COMP	1	
	90440	90440-1F66-C00	WASHER PLAIN 12MM	WASHER PLAIN 12MM	1	
	92101	92101-05012-0H	BOLT HEX 5*12 (C)	BOLT HEX 5*12 (C)	2	
	94050	94050-12080	NUT FLANGE 12MM (C)	NUT FLANGE 12MM (C)	1	
	96001-06016	96001-06016-08	BOLT FLANGE SH 6*16(C)	BOLT FLANGE SH 6*16(C)	4	
	96001-06018	96001-06018-08	BOLT FLANGE SH 6*18 (C)	BOLT FLANGE SH 6*18 (C)	4	
	96001-06020	96001-06020-08	BOLT FLANGE SH 6*20 (C)	BOLT FLANGE SH 6*20 (C)	1	
	96001-06025	96001-06025-08	BOLT FLANGE SH 6*25 (C)	BOLT FLANGE SH 6*25 (C)	5	



Sales mark	Ref no	Part no	Description	Reg description	Regd no	E08
11208		11208-KXCX-C00	CLAMP BRAKE WIRE	CLAMP BRAKE WIRE	1	
21200		21200-LCD3-C00	CASE COMP MISSION	CASE COMP MISSION	1	
21395		21395-LCD3-C00	GASKET MISSION CASE@A	GASKET MISSION CASE@A	1	
23411		23411-KHB4-C00	SHAFT DRIVE	SHAFT DRIVE	1	
23420		23420-LCD3-C00	SHAFT COMP COUNTER	SHAFT COMP COUNTER	1	
23432		23432-LCD3-C00	GEAR FINAL	GEAR FINAL	1	
2343A		2343A-KHB4-C00	SHAFT FINAL	SHAFT FINAL	1	
91003		91003-KDS4-C00	BRG BALL RADIAL 6301TMB	BRG BALL RADIAL 6301TMB	1	
91009		91009-GLE0-C00	BRG BALL RADIAL 6004 UU	BRG BALL RADIAL 6004 UU	1	
91255		91255-LDC8-E10	OIL SEAL 27*42*7	OIL SEAL 27*42*7	1	
95801		95801-06040-08	BOLT FLANGE 6*40 (C)	BOLT FLANGE 6*40 (C)	1	
96100		96100-60020-00	BEARING BALL RADIAL 6002	BEARING BALL RADIAL 6002	1	

E09

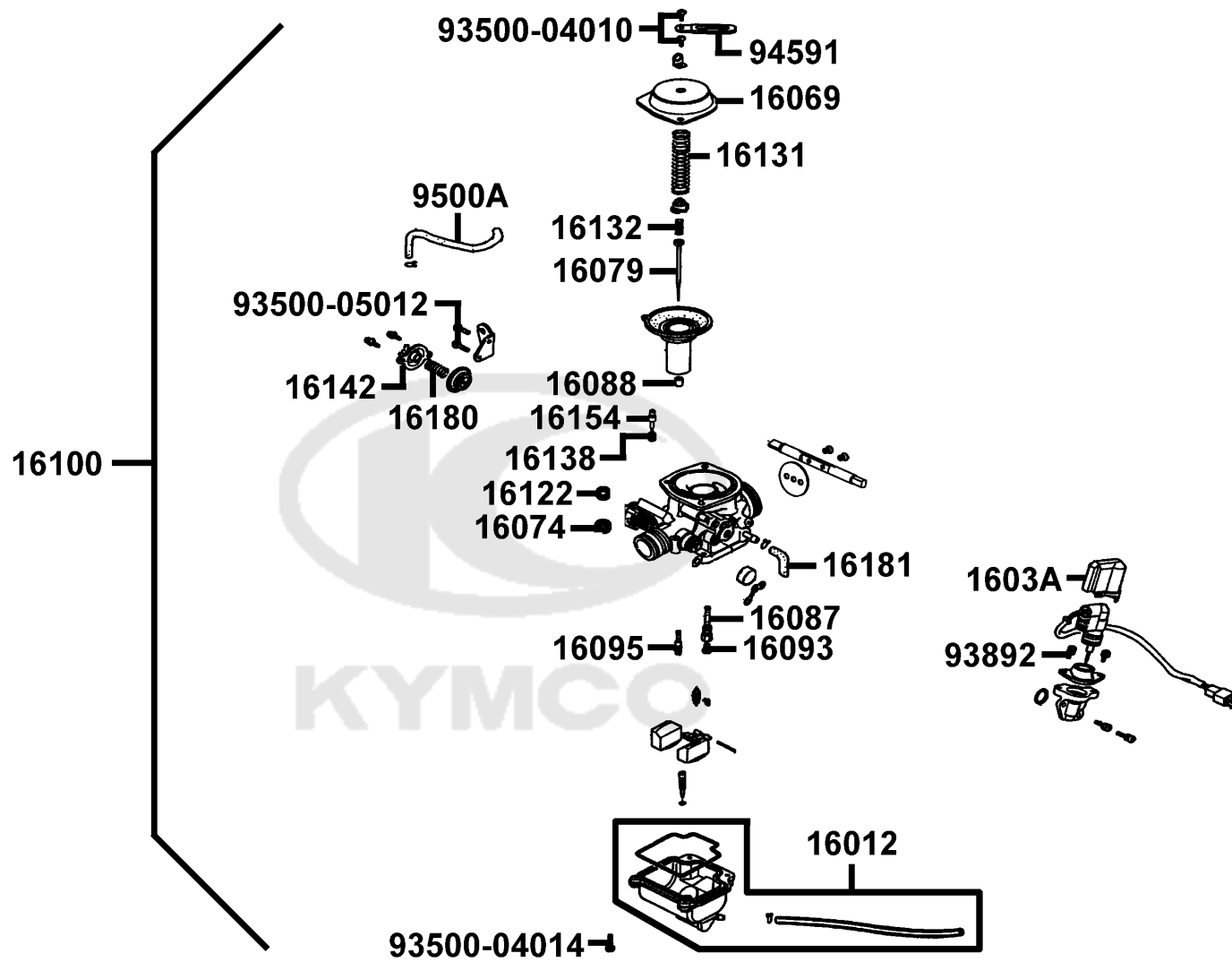
Carburetor



Sales mark	Ref no	Part no	Description	Reg description	Regd no	E09
16012		16012-KEC3-800	CHAMBER COMP FLOAT	CHAMBER COMP FLOAT	0	
1603A		1603A-LFC3-E10	UNIT BY-ST ASSY	UNIT BY-ST ASSY	1	
16069		16069-KEC3-900	COVER PISTON VALVE DIAPHRAGM	COVER PISTON VALVE DIAPHRAGM	1	
16074		16074-KEC3-900	WASHER IDLE ADJUST SCREW	WASHER IDLE ADJUST SCREW	1	
16079		16079-LEJ3-E10	NEEDLE ASSY JET	NEEDLE ASSY JET	1	
16087		16087-KEC3-900	TUBE EMULSION	TUBE EMULSION	1	
16088		16088-KEC3-900	JET NEEDLE	JET NEEDLE	1	
16093		16093-5102-C00	JET MAIN	JET MAIN	1	
16095		16095-KEC3-900	JET SLOW	JET SLOW	1	
16100		16100-LEJ3-E10	CARBURETOR ASSY	CARBURETOR ASSY	1	
16122		16122-KEC3-900	O-RING IDLE SCREW	O-RING IDLE SCREW	1	
16131		16131-KEC3-900	SPRING VACUUM PISTON	SPRING VACUUM PISTON	1	
16132		16132-KEC3-900	SPRING JET NEEDLE	SPRING JET NEEDLE	1	
16138		16138-KEC3-900	SPRING IDLE ADJUST SCREW	SPRING IDLE ADJUST SCREW	1	
16142		16142-KEC3-900	COVER ACV	COVER ACV	1	
16154		16154-KEC3-900	SCREW IDLE ADJUST	SCREW IDLE ADJUST	1	
16180		16180-KEC3-900	SPRING ACV	SPRING ACV	1	
16181		16181-KEC3-900	TUBE AIR VENT	TUBE AIR VENT	1	
93500-04010		93500-04010-08	SCREW PAN 4*10	SCREW PAN 4*10	1	
93500-04014		93500-04014-1A	SCREW PAN 4*14(B)	SCREW PAN 4*14(B)	1	

E09

Carburetor



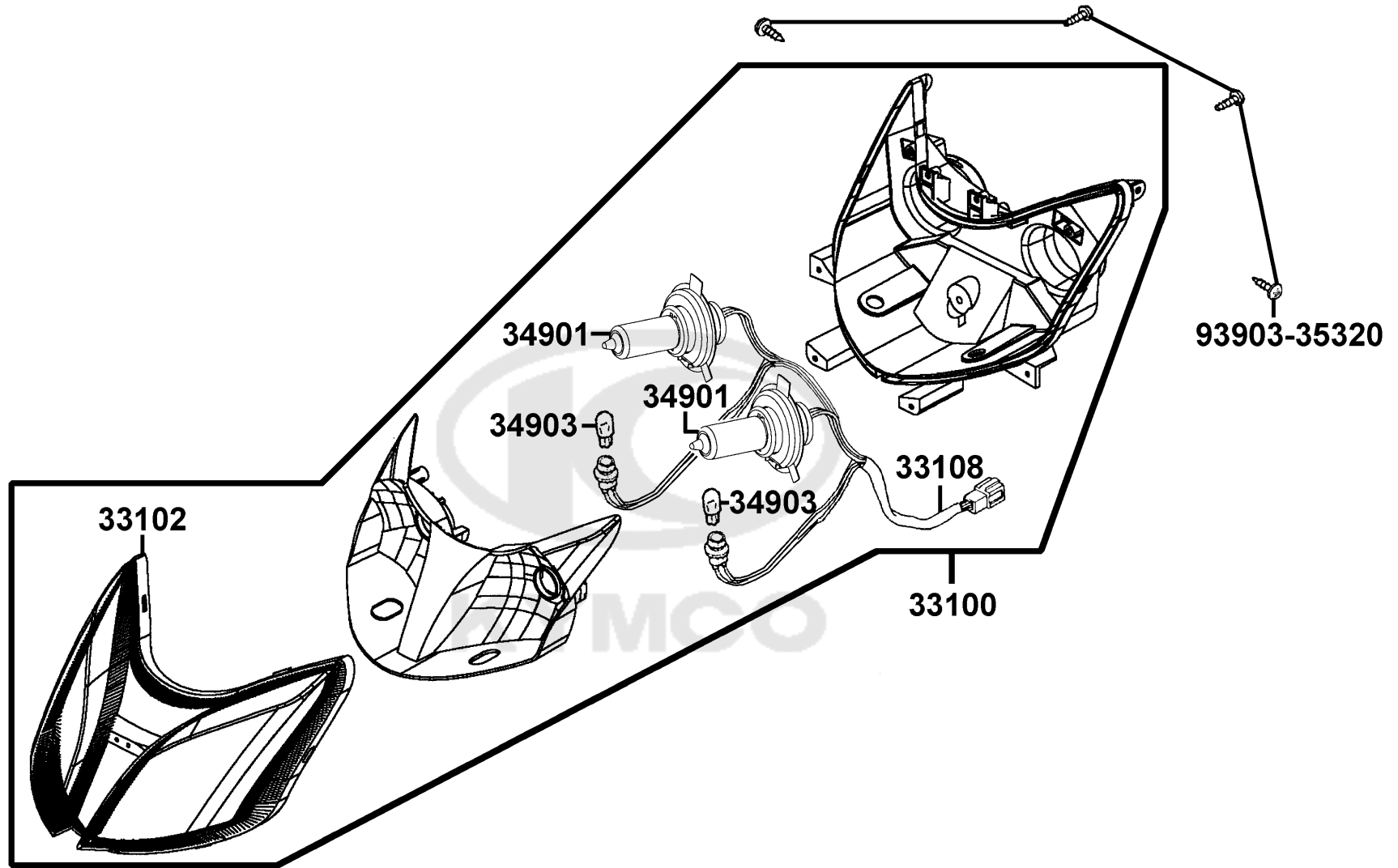
Sales mark	Ref no	Part no	Description	Reg description	Regd no	E09
------------	--------	---------	-------------	-----------------	---------	------------

	93500-05012	93500-05012-08	SCREW PAN 5*12C	SCREW PAN 5*12C	1	
	93892	93892-04008-18	SCREW WASHER	SCREW WASHER	1	
	94591	94591-25000	CLIP BIND	CLIP BIND	1	
	9500A	9500A-35185-20	TUBE ASSY FUEL	TUBE ASSY FUEL	1	



F01

Head Light

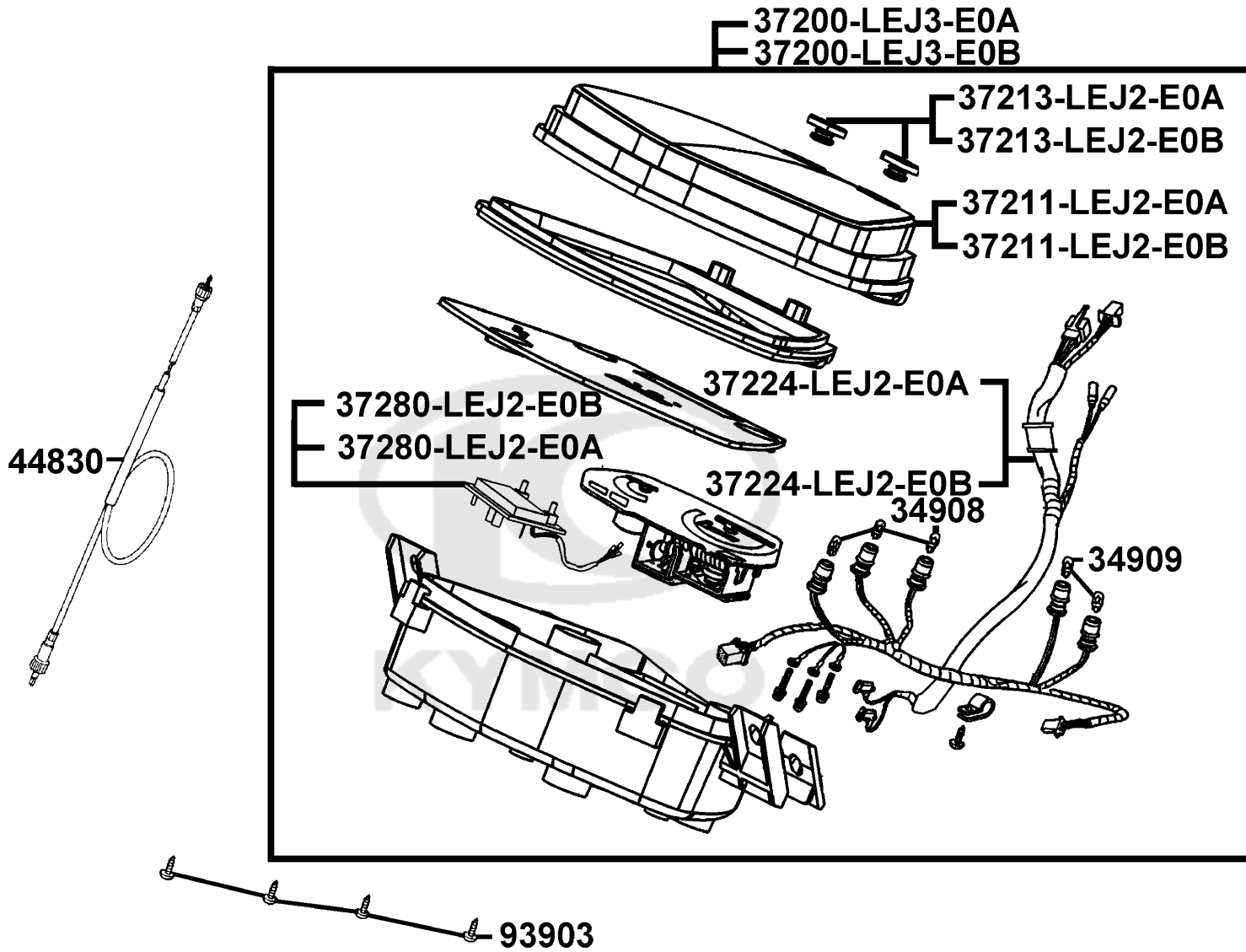


Sales mark	Ref no	Part no	Description	Reg description	Regd no	F01
	33100	33100-LEJ2-E10	LIGHT ASSY HEAD	LIGHT ASSY HEAD	1	
	33102	33102-LEJ2-E10	LENS HEAD LIGHT	LENS HEAD LIGHT	1	
	33108	33108-LEJ2-E10	SOCKET COMP LIGHT HEAD	SOCKET COMP LIGHT HEAD	1	
	34901	34901-LDC8-E10	BULB HEAD LIGHT	BULB HEAD LIGHT	2	
	34903	34903-LDC8-E10	BULB POSITON	BULB POSITON	2	
	93903-35320	93903-35320	BOLT FLANGE 5*16	BOLT FLANGE 5*16	2	



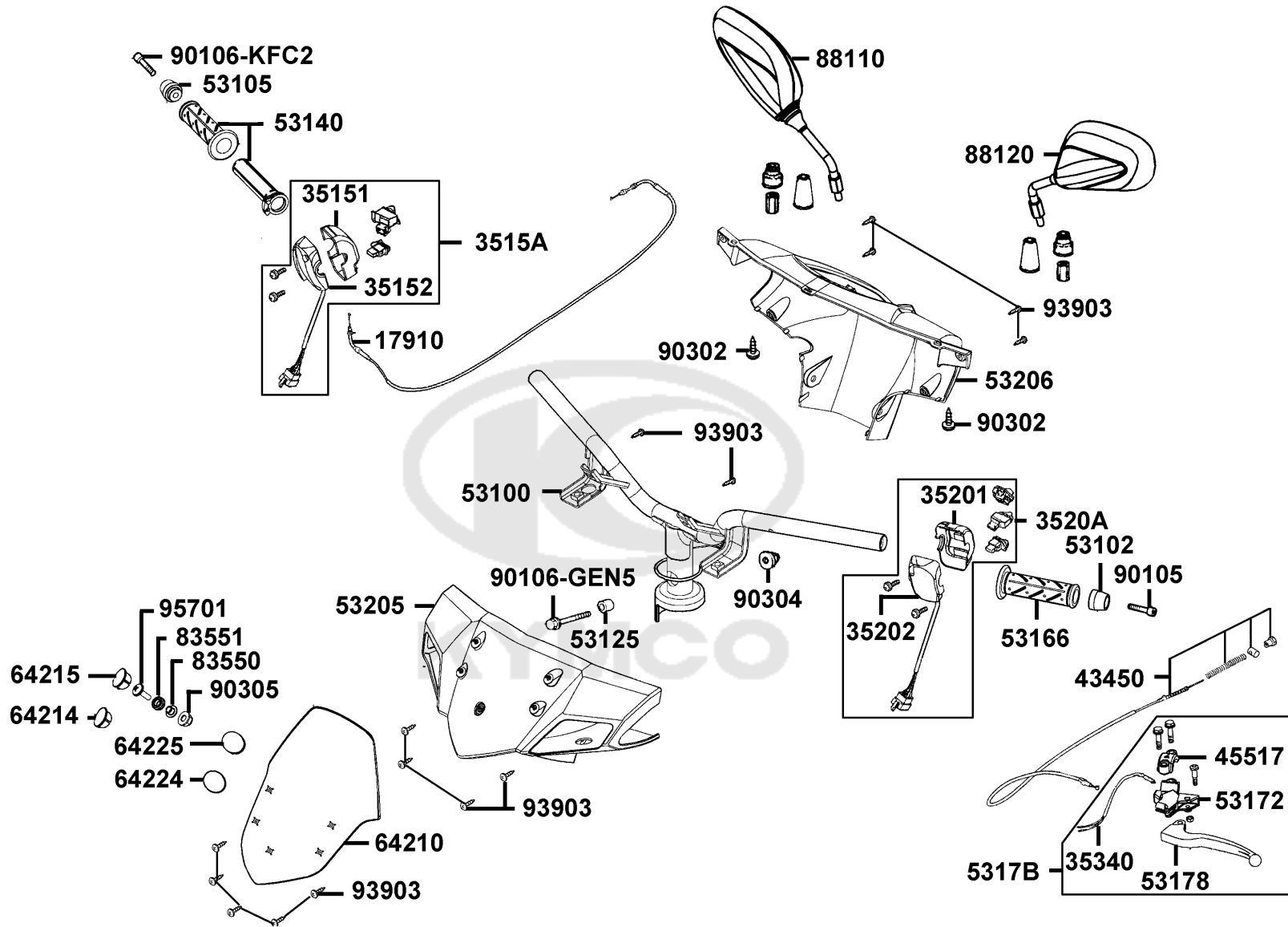
F02

Speedometer



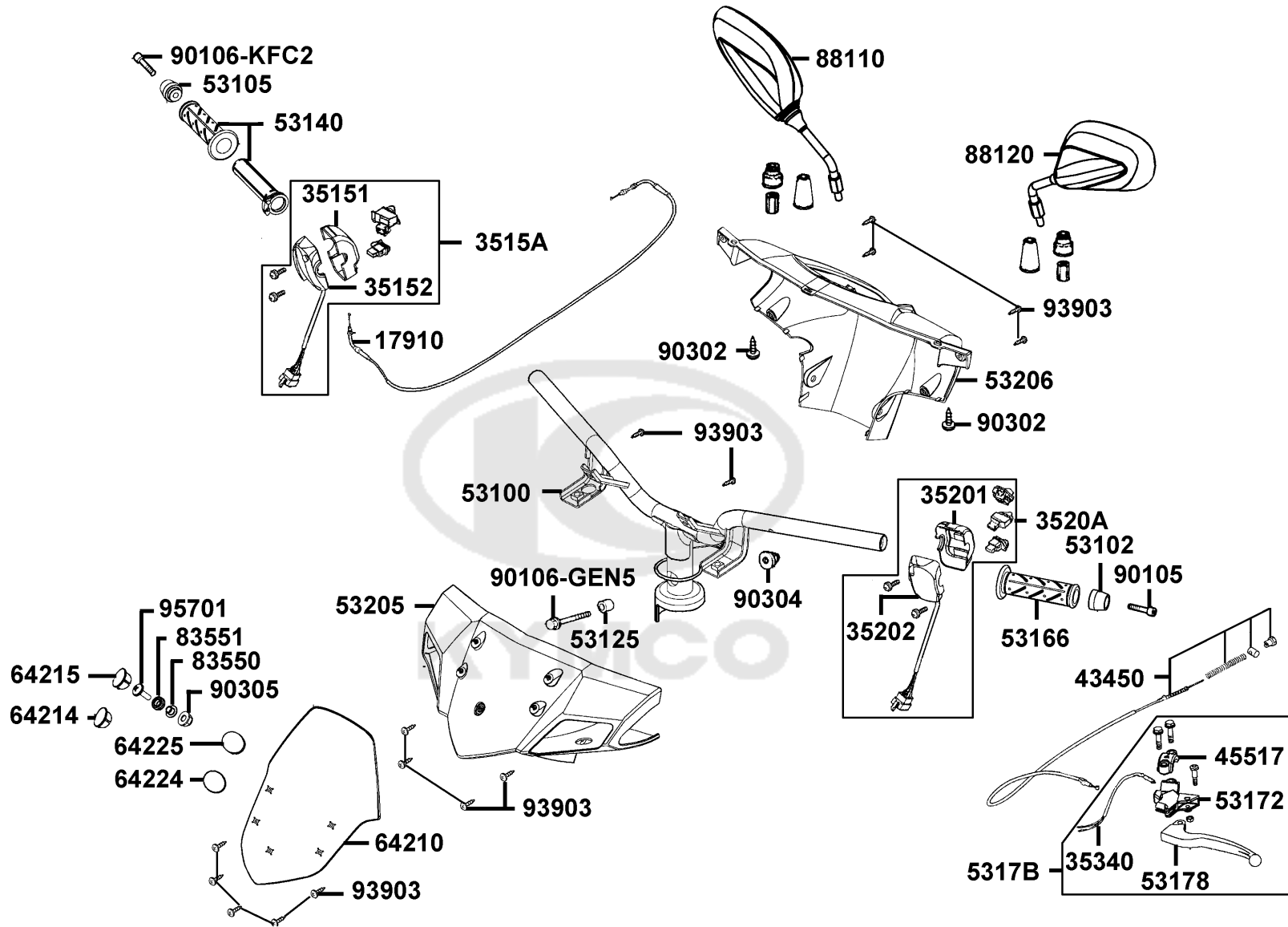
Sales mark	Ref no	Part no	Description	Reg description	Regd no	F02
34908		34908-LEJ2-E00	BULB WEDGE BASE T10	BULB WEDGE BASE T10	3	
34909		34909-LEJ2-E00	BULB WEDGE BASE T10	BULB WEDGE BASE T10	2	
37200-LEJ3-E0A		37200-LEJ3-E0A	METER ASSY SPEED	METER ASSY SPEED	1	
37200-LEJ3-E0B		37200-LEJ3-E0B	METER ASSY SPEED	METER ASSY SPEED	1	
37211-LEJ2-E0A		37211-LEJ2-E0A	LENS COMP METER	LENS COMP METER	1	
37211-LEJ2-E0B		37211-LEJ2-E0B	LENS COMP METER	LENS COMP METER	1	
37213-LEJ2-E0A		37213-LEJ2-E0A	BUTTON ADJUST	BUTTON ADJUST	1	
37213-LEJ2-E0B		37213-LEJ2-E0B	BUTTON ADJUST	BUTTON ADJUST	1	
37224-LEJ2-E0A		37224-LEJ2-E0A	SOCKET COMP METER	SOCKET COMP METER	1	
37224-LEJ2-E0B		37224-LEJ2-E0B	SOCKET COMP METER	SOCKET COMP METER	1	
37280-LEJ2-E0A		37280-LEJ2-E0A	LCD ASSY (LOCK)/XD	LCD ASSY (LOCK)/XD	1	
37280-LEJ2-E0B		37280-LEJ2-E0B	LCD ASSY (LOCK)/XD	LCD ASSY (LOCK)/XD	1	
44830		44830-LCD3-C00	CABLE COMP SPDMT	CABLE COMP SPDMT	1	
93903		93903-35220	SCREW TAPPING 5*12	SCREW TAPPING 5*12	4	

Handle Steering Handle Cover



Sales mark	Ref no	Part no	Description	Reg description	Regd no	F03
	17910	17910-KHD8-C00	CABLE COMP THROT	CABLE COMP THROT	1	
	35151	35151-KGBG-C00	FR CASE RH HNDL COMP SW	FR CASE RH HNDL COMP SW	1	
	35152	35152-LGB5-E10	RR CASE RH HNDL COMP SW	RR CASE RH HNDL COMP SW	1	
	3515A	3515A-LGB5-E10	SW ASSY RH HANDLE COMP	SW ASSY RH HANDLE COMP	1	
	35201	35201-KGBG-C00	FR CASE LH HNDL COMP SW	FR CASE LH HNDL COMP SW	1	
	35202	35202-LGB5-E10	RR CASE LH HNDL SW COMP	RR CASE LH HNDL SW COMP	1	
	3520A	3520A-LCD3-C00	SW ASSY LH HNDL COMP	SW ASSY LH HNDL COMP	1	
	35340	35340-KKJ9-C00	SW ASSY FR STOP	SW ASSY FR STOP	1	
	43450	43450-LCD3-C00	CABLE COMP RR BRK	CABLE COMP RR BRK	1	
	45517	45517-GFY6-900	HOLDER HNDL BRKT	HOLDER HNDL BRKT	1	
	53100	53100-LEJ2-E10	HANDLE COMP STRG	HANDLE COMP STRG	1	
	53102	53102-KEC8-C00	END HANDLE	END HANDLE	1	
	53105	53105-LBB5-C00	END R HANDLE	END R HANDLE	1	
	53125	53125-GEN5-C00	COLLAR HANDLE SET	COLLAR HANDLE SET	1	
	53140	53140-LEJ2-E10	GRIP COMP THROT	GRIP COMP THROT	1	
	53166	53166-LEJ2-E10	GRIP L HANDLE	GRIP L HANDLE	1	
	53172	53172-KTCT-C00	BRKT HNDL L	BRKT HNDL L	1	
**	53178	53178-LCD1-C00	LEVER STEERING HANDLE	LEVER STEERING HANDLE	1	
	5317B	5317B-LCD1-C00	BRKT ASSY HNDL LH	BRKT ASSY HNDL LH	1	
**	53205	53205-LEJ2-E10	COVER HANDLE FR	COVER HANDLE FR	1	

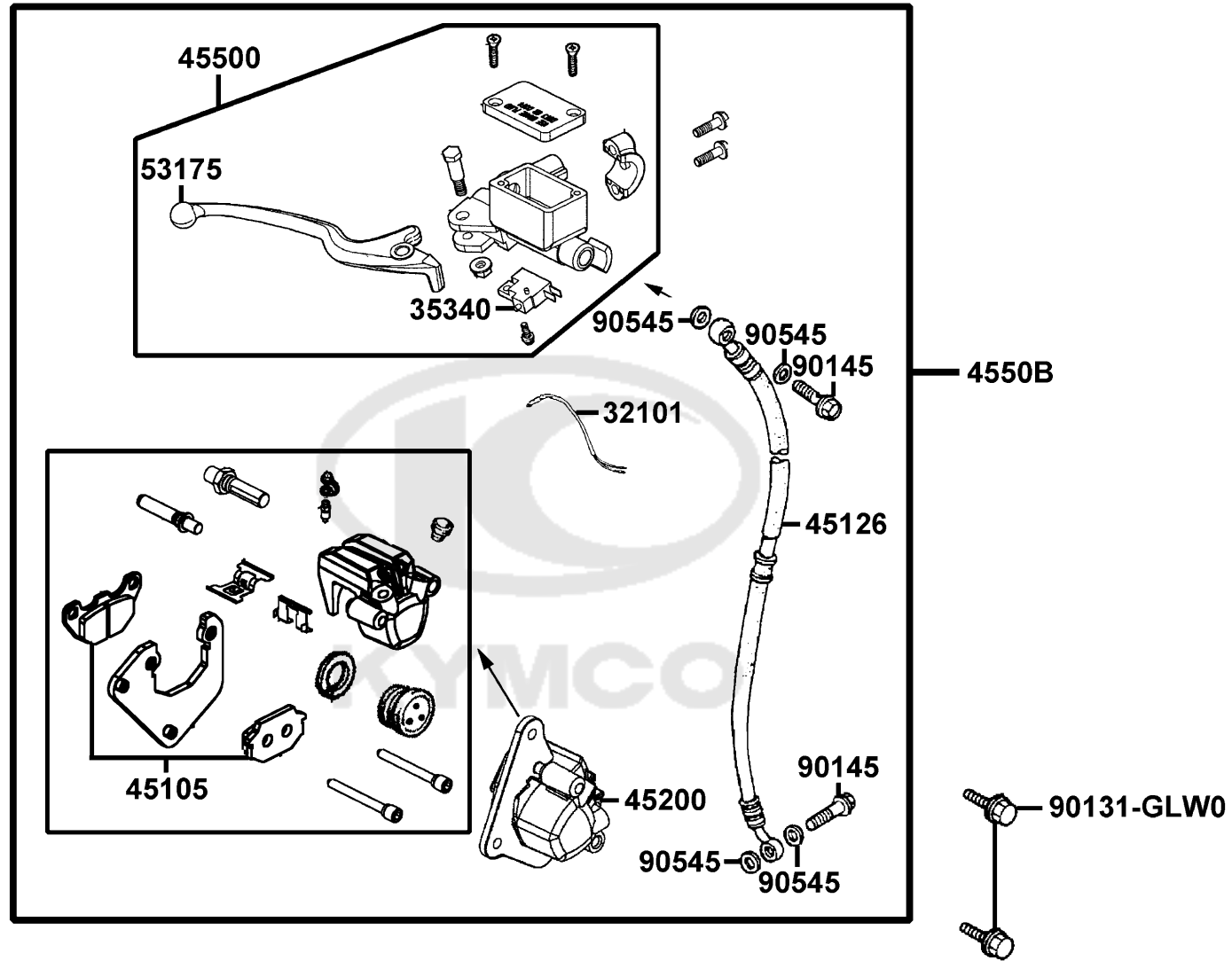
Handle Steering Handle Cover



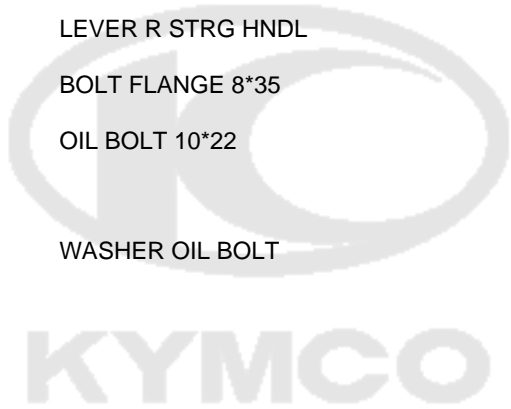
Sales mark	Ref no	Part no	Description	Reg description	Regd no	F03
**	53206	53206-LEJ2-E10	COVER HANDLE RR	COVER HANDLE RR	1	
	64210	64210-LEJ2-E10	ASSY METER VISOR	ASSY METER VISOR	1	
	64214	64214-LEJ2-E10	COVER R UP VISOR	COVER R UP VISOR	1	
	64215	64215-LEJ2-E10	COVER R DOWN VISOR	COVER R DOWN VISOR	1	
	64224	64224-LEJ2-E10	COVER L UP VISOR	COVER L UP VISOR	1	
	64225	64225-LEJ2-E10	COVER L DOWN VISOR	COVER L DOWN VISOR	1	
	83550	83550-KEC8-C00	COLLAR SET METER	COLLAR SET METER	1	
	83551	83551-KEC8-C10	GROMMET COVER	GROMMET COVER	4	
**	88110	88110-LEB5-C11	MIRROR ASSY R BACK	MIRROR ASSY R BACK	1	
**	88120	88120-LEB5-C11	MIRROR ASSY L BACK	MIRROR ASSY L BACK	1	
	90105	90105-KHC4-900	SQUARE BOLT M10*50	SQUARE BOLT M10*50	1	
	90106-GEN5	90106-GEN5-901	BOLT FLANGE 10*50	BOLT FLANGE 10*50	1	
	90106-KFC2	90106-KFC2-900	BOLT-WASH. 8MM	BOLT-WASH. 8MM	2	
	90302	90302-GFY6-C10	BOLT-WASH 5*16	BOLT-WASH 5*16	1	
	90304	90304-GHE8-C00	NUT U 10MM (C)	NUT U 10MM (C)	1	
	90305	90305-GHK8-C00	NUT CLIP 6MM	NUT CLIP 6MM	1	
	93903	93903-34380	BOLT FLANGE	BOLT FLANGE	6	
	95701	95701-06020-08	BOLT FLANGE 6*20 (C)	BOLT FLANGE 6*20 (C)	4	

F04

Brake Master Cylinder

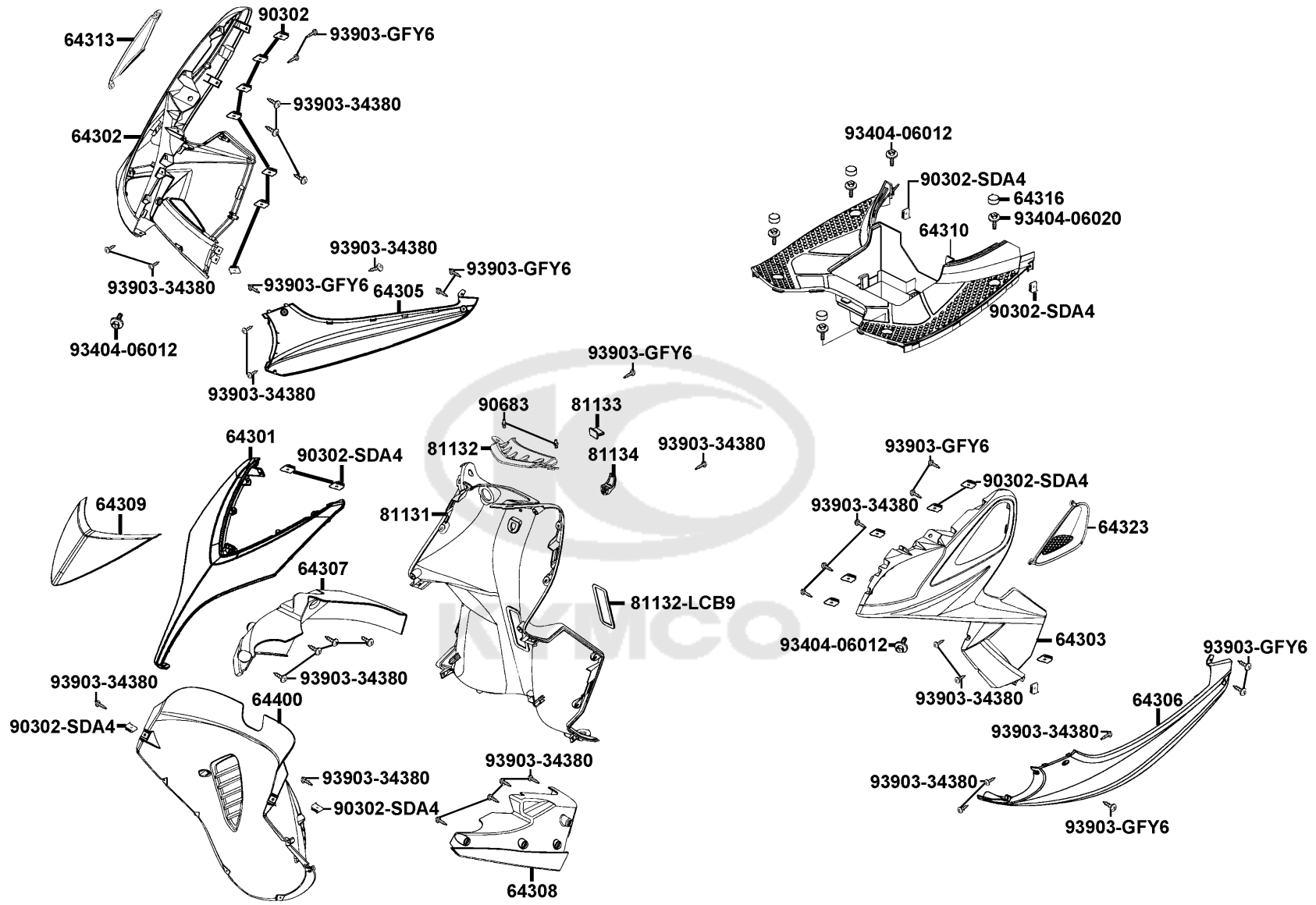


Sales mark	Ref no	Part no	Description	Reg description	Regd no	F04
	32101	32101-GFY6-C00	SUB CORD R/L	SUB CORD R/L	1	
	35340	35340-KNBN-901	SW ASSY FR STOP	SW ASSY FR STOP	1	
	45105	45105-LEJ2-306	PAD COMP A+B	PAD COMP A+B	1	
	45126	45126-LDC8-E10	HOSE ASSY FR BRAKE	HOSE ASSY FR BRAKE	1	
	45200	45200-LEJ2-E1A	CALIPER ASSY FR LH	CALIPER ASSY FR LH	1	
	45500	45500-LDC8-E10	M/C ASSY FR	M/C ASSY FR	1	
	4550B	4550B-LEJ2-E10	SUB ASSY FR BRK	SUB ASSY FR BRK	1	
**	53175	53175-LDC8-E10	LEVER R STRG HNDL	LEVER R STRG HNDL	1	
	90131	90131-GLW0-C00	BOLT FLANGE 8*35	BOLT FLANGE 8*35	1	
	90145	90145-9A61-C00	OIL BOLT 10*22	OIL BOLT 10*22	1	
	90545	90545-3L00-C00	WASHER OIL BOLT	WASHER OIL BOLT	1	



F05

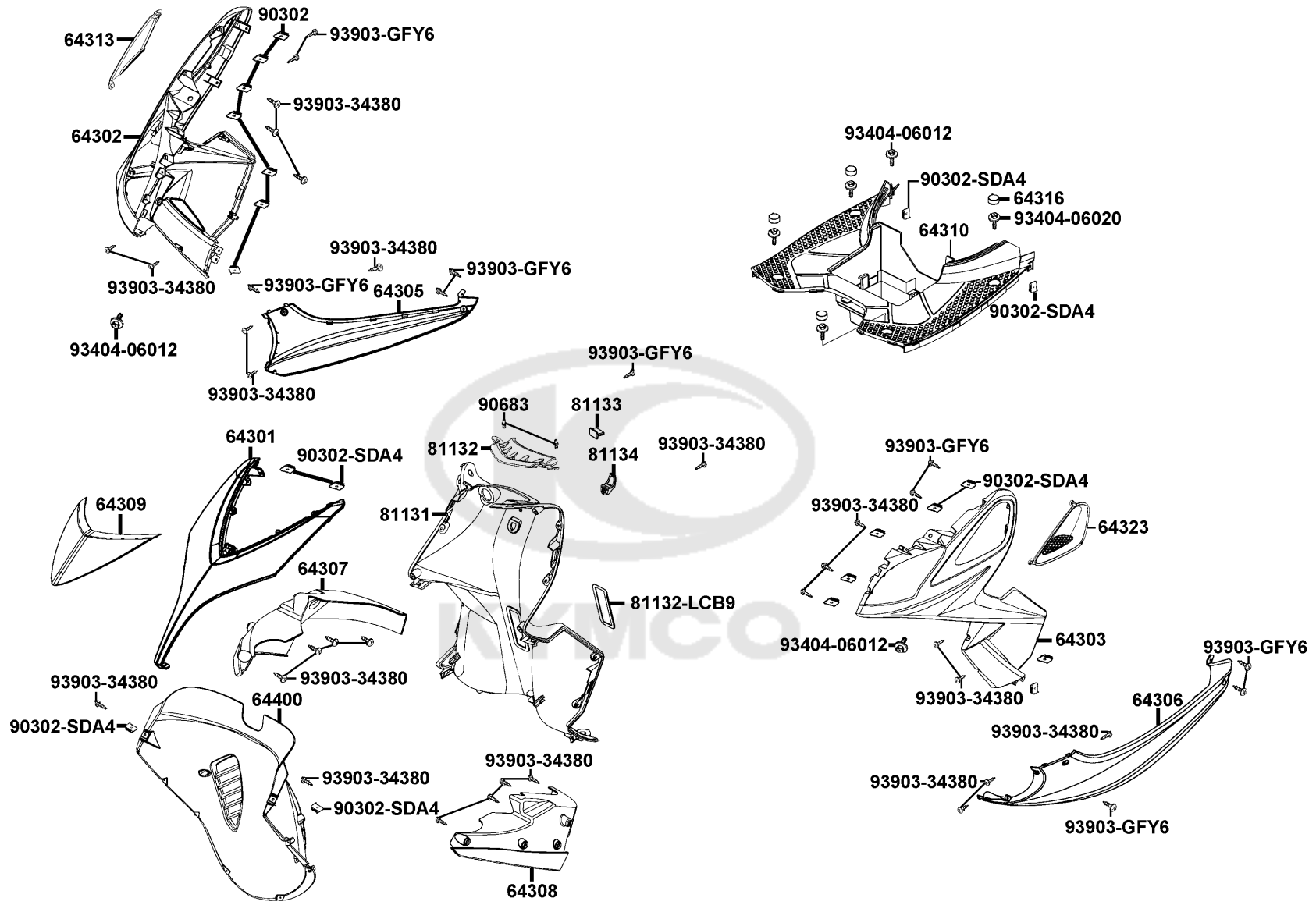
Front Cover Front Fender



Sales mark	Ref no	Part no	Description	Reg description	Regd no	F05
**	64301	64301-LEJ2-E10	COVER FR	COVER FR	1	
**	64302	64302-LEJ2-E10	MOLD R SIDE	MOLD R SIDE	1	
**	64303	64303-LEJ2-E10	MOLD L SIDE	MOLD L SIDE	1	
**	64305	64305-LEJ2-E10	SKIRT R SIDE	SKIRT R SIDE	1	
**	64306	64306-LEJ2-E10	SKIRT L SIDE	SKIRT L SIDE	1	
	64307	64307-LEJ2-E10	COVER R SIDE MOLD	COVER R SIDE MOLD	1	
	64308	64308-LEJ2-E10	COVER L SIDE MOLD	COVER L SIDE MOLD	1	
**	64309	64309-LEJ2-E10	TOP FRONT COVER	TOP FRONT COVER	1	
**	64310	64310-LEJ2-E10	FLOOR PANEL	FLOOR PANEL	1	
**	64313	64313-LEJ2-E10	GRILL R SIDE MOLD	GRILL R SIDE MOLD	1	
	64316	64316-LCB9-C10	PLUG FLOOR	PLUG FLOOR	4	
	64323	64323-LEJ2-E10	GRILL L SIDE MOLD	GRILL L SIDE MOLD	1	
	64400	64400-LEJ2-E10	COWL UNDER	COWL UNDER	1	
	81131	81131-LEJ2-E10	LEG SHIELD UP	LEG SHIELD UP	1	
	81132-LCB9	81132-LCB9-C10	LID LEG SHIELD	LID LEG SHIELD	1	
**	81132-LEJ2	81132-LEJ2-E10	LID INNER BOX	LID INNER BOX	1	
	81133	81133-KGBG-C00	STOPPER LUGGAGE	STOPPER LUGGAGE	1	
	81134	81134-KGBG-C00	HOOK LUGGAGE	HOOK LUGGAGE	1	
	90302	90302-SDA4-C00	NUT SPRING 4MM	NUT SPRING 4MM	1	
	90683	90683-GAR1-C00	CLIP BODY COVER	CLIP BODY COVER	1	

F05

Front Cover Front Fender



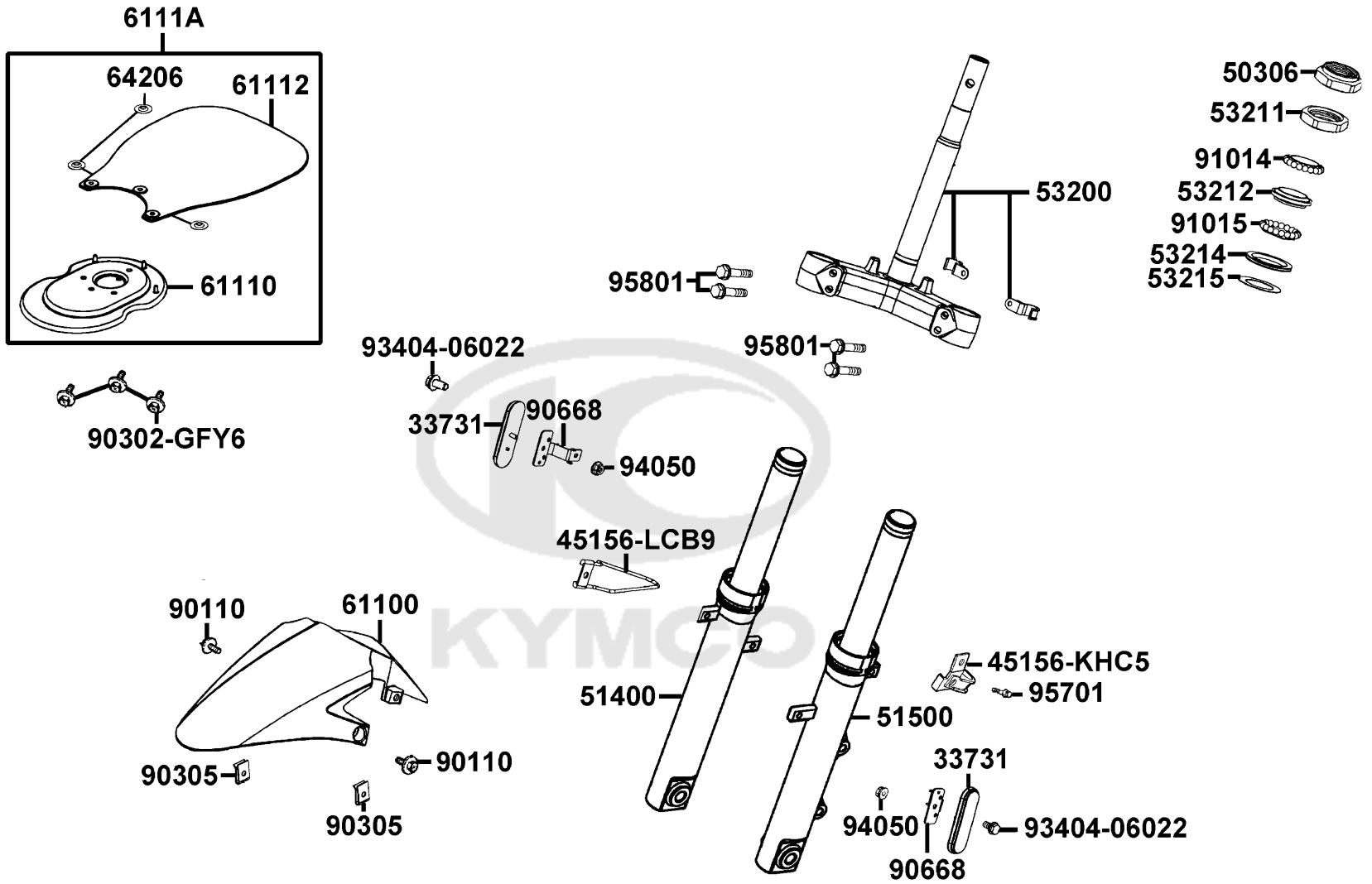
Sales mark	Ref no	Part no	Description	Reg description	Regd no	F05
------------	--------	---------	-------------	-----------------	---------	------------

	93404-06012	93404-06012-07	BOLT WASHER 6*12(K)	BOLT WASHER 6*12(K)	3	
	93404-06020	93404-06020-07	BOLT WASHER 6*20(K)	BOLT WASHER 6*20(K)	4	
	93903-34380	93903-34380	BOLT FLANGE	BOLT FLANGE	33	
	93903-GFY6	93903-GFY6-C00	SCREW TAPPING 4*14	SCREW TAPPING 4*14	1	



F06

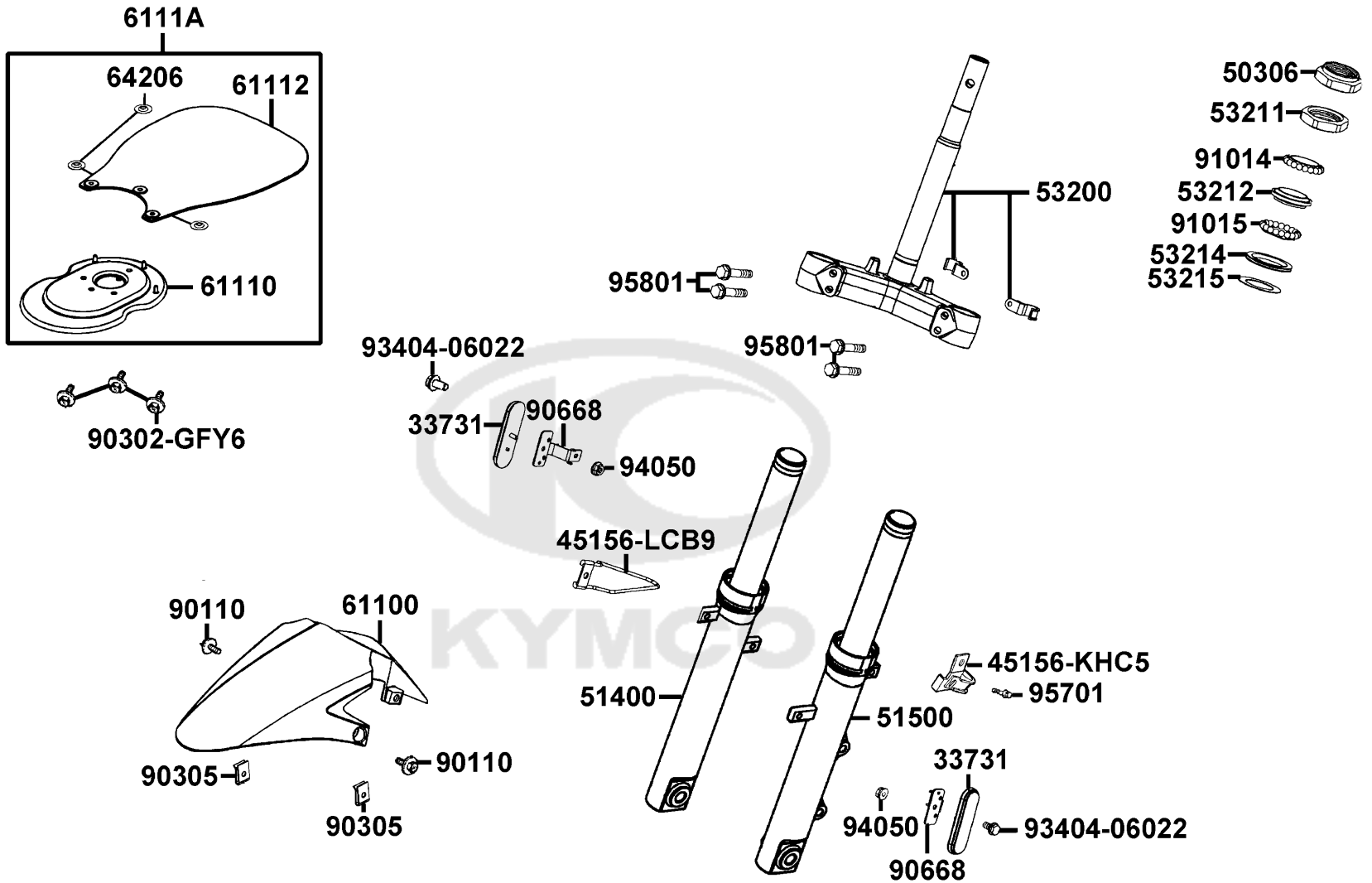
Stem Steering Front Cushion



Sales mark	Ref no	Part no	Description	Reg description	Regd no	F06
	33731	33731-KGB5-C00	REFLEX REFLECTOR SIDE	REFLEX REFLECTOR SIDE	2	
	45156-KHC5	45156-KHC5-E10	CLAMPER BRAKE HOSE	CLAMPER BRAKE HOSE	1	
	45156-LCB9	45156-LCB9-B20	CLAMPER METER CABLE	CLAMPER METER CABLE	1	
	50306	50306-1F96-C00	NUT STRG STEM LOCK	NUT STRG STEM LOCK	1	
**	51400	51400-LEJ2-E10	FORK ASSY RH FR	FORK ASSY RH FR	1	
**	51500	51500-LEJ2-E10	FORK ASSY LH FR	FORK ASSY LH FR	1	
	53200	53200-LEJ2-E10	STEM COMP STRG	STEM COMP STRG	1	
	53211	53211-GFY6-C00	RACE STRG TOP CONE	RACE STRG TOP CONE	1	
	53212	53212-2L50-C00	RACE (STRG BOTTOM) CONE	RACE (STRG BOTTOM) CONE	1	
	53214	53214-2L50-C00	DUST SEAL STRG HEAD	DUST SEAL STRG HEAD	1	
	53215	53215-2L50-C00	WASHER STRG HDL DUST-SEAL	WASHER STRG HDL DUST-SEAL	1	
**	61100	61100-LEJ2-E10	FENDER FR	FENDER FR	1	
	61110	61110-LDC8-E90	FENDER FR INNER	FENDER FR INNER	1	
	61112	61112-LDC8-E90	PLATE FR INNER SPLASH GUARD	PLATE FR INNER SPLASH GUARD	1	
	6111A	6111A-LDC8-E90	FENDER ASSY FR INNER	FENDER ASSY FR INNER	1	
	64206	64206-MLJ0-C00	NUT SPEED 4MM	NUT SPEED 4MM	1	
	90110	90110-KEB7-C00	SCREW SPECIAL 6*14	SCREW SPECIAL 6*14	1	
	90302	90302-GFY6-C10	BOLT-WASH 5*16	BOLT-WASH 5*16	1	
	90305	90305-GHK8-C00	NUT CLIP 6MM	NUT CLIP 6MM	1	
	90668	90668-LEJ2-E10	STAY SIDE REFLECTOR	STAY SIDE REFLECTOR	2	

F06

Stem Steering Front Cushion

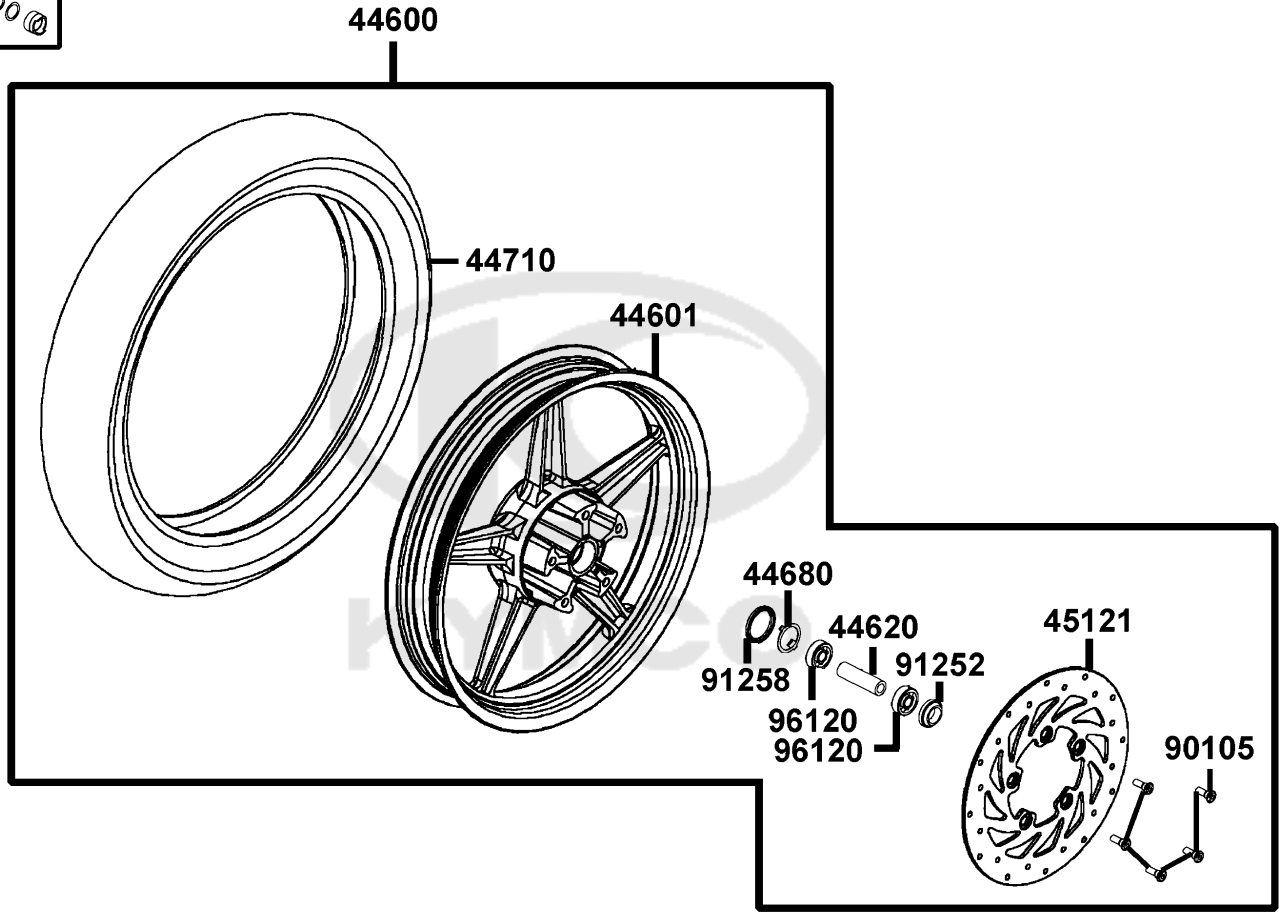
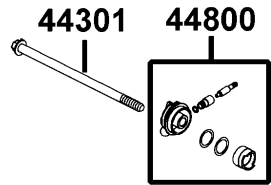


Sales mark	Ref no	Part no	Description	Reg description	Regd no	F06
	91014	91014-LLJ3-C00	CAGE STRG TOPP	CAGE STRG TOPP	1	
	91015	91015-LLJ3-C00	CAGE STRG BOT	CAGE STRG BOT	1	
	93404	93404-06022-07	BOLT WASHER 6*22 (K)	BOLT WASHER 6*22 (K)	2	
	94050	94050-05080	NUT FLANGE 5MM	NUT FLANGE 5MM	2	
	95701	95701-06012-08	BOLT FLANGE 6*12	BOLT FLANGE 6*12	1	
	95801	95801-08040-08	BOLT FLANGE 8*40 (C)	BOLT FLANGE 8*40 (C)	4	





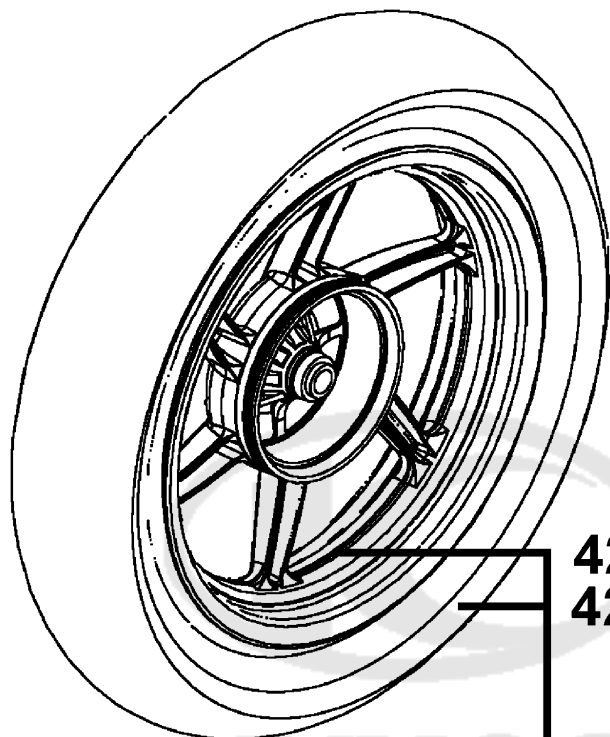
F07

Front Wheel

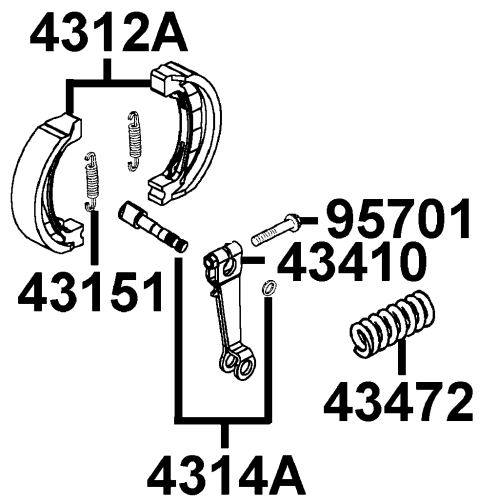


Sales mark	Ref no	Part no	Description	Reg description	Regd no	F07
	44301	44301-KXCX-900	AXLE FR WHEEL	AXLE FR WHEEL	1	
	44311	44311-KHB4-C00	COLLAR FR WHEEL SIDE	COLLAR FR WHEEL SIDE	1	
**	44600	44600-LEJ2-E81	WHEEL ASSY FR	WHEEL ASSY FR	1	
**	44601	44601-LEJ2-E10	WHEEL CAST FR	WHEEL CAST FR	1	
	44620	44620-KFLF-C00	COLLAR FR DIST	COLLAR FR DIST	1	
	44680	44680-4L10-C00	RETAINER GEAR BOX	RETAINER GEAR BOX	1	
	44710	44710-LEJ2-E11	TIRE ASSY FR	TIRE ASSY FR	1	
	44800	44800-LKD1-E10	GEAR BOX ASSY SPDMT	GEAR BOX ASSY SPDMT	1	
	45121	45121-LEJ2-E80	DISK FR BRK	DISK FR BRK	1	
	90105	90105-KCR3-001	BOLT FR DISK 8*24	BOLT FR DISK 8*24	5	
	90306	90306-KLF0-C00	NUT FLANGE 12MM	NUT FLANGE 12MM	1	
	91252	91252-0L30-004	OIL SEAL WHEEL 23*37*7	OIL SEAL WHEEL 23*37*7	1	
	91258	91258-4L10-007	DUST SEAL 40*50*5	DUST SEAL 40*50*5	1	
	96120	96120-63010-10	BEARING BALL RADIAL 6301	BEARING BALL RADIAL 6301	1	

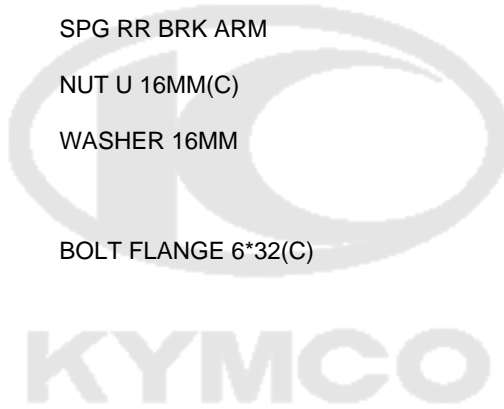
90305 
90501 



42601
42710
42600

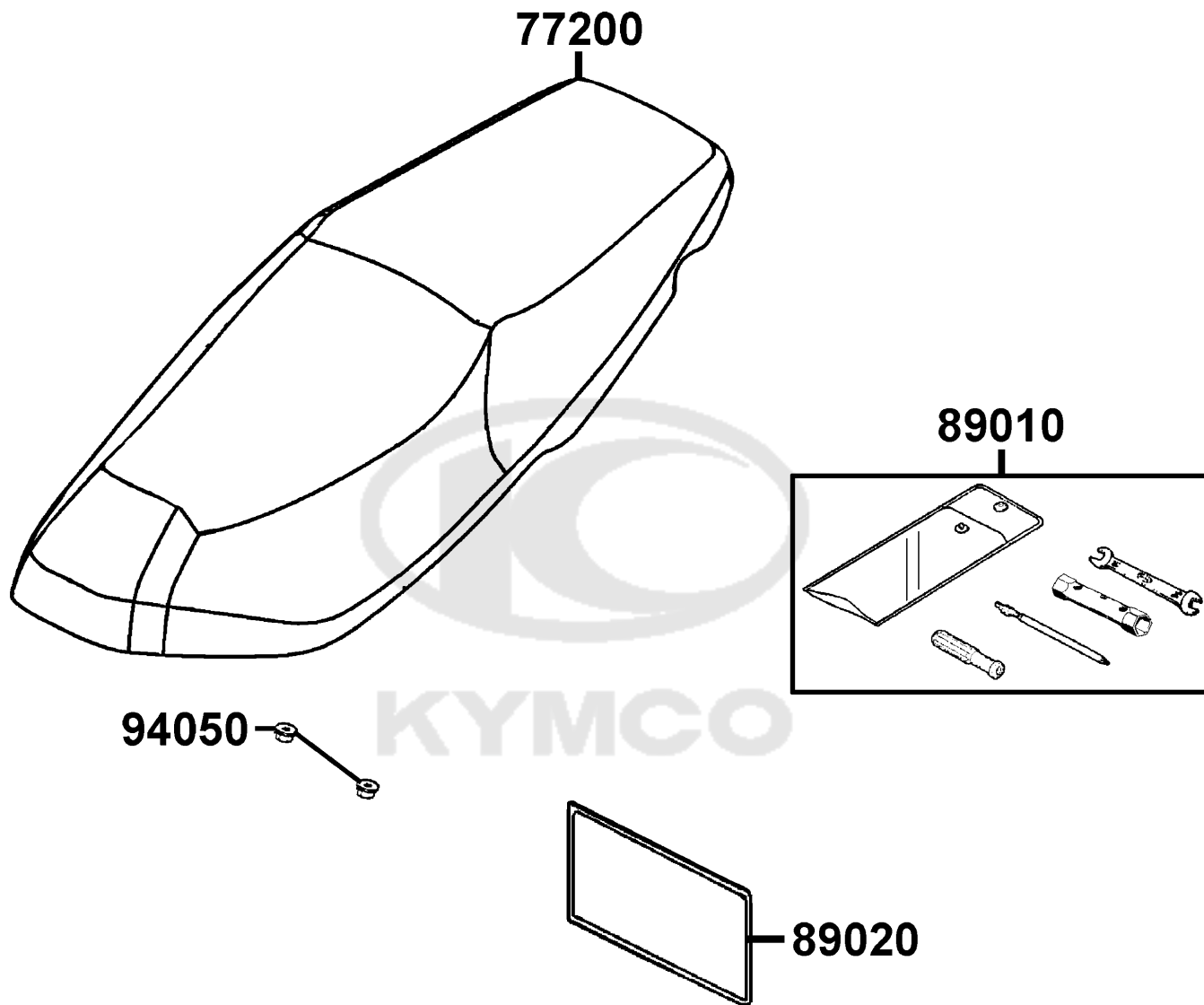


Sales mark	Ref no	Part no	Description	Reg description	Regd no	F08
**	42600	42600-LEJ2-E10	WHEEL ASSY RR	WHEEL ASSY RR	1	
**	42601	42601-LEJ2-E10	"WHEEL CAST,RR"	"WHEEL CAST,RR"	1	
	42710	42710-LEJ2-E11	TIRE ASSY RR	TIRE ASSY RR	1	
	4312A	4312A-KUDU-C00	SHOE ASSY RR BRAKE	SHOE ASSY RR BRAKE	1	
	4314A	4314A-LCD3-E00	CAM ASSY RR BRAKE	CAM ASSY RR BRAKE	1	
	43151	43151-KGM7-C00	SPRING BRAKE SHOE REAR	SPRING BRAKE SHOE REAR	1	
	43410	43410-KFA6-900	ARM REAR BRAKE	ARM REAR BRAKE	1	
	43472	43472-LEJ3-E10	SPG RR BRK ARM	SPG RR BRK ARM	1	
	90305	90305-KNBN-C00	NUT U 16MM(C)	NUT U 16MM(C)	1	
	90501	90501-KNBN-C00	WASHER 16MM	WASHER 16MM	1	
	95701	95701-06032-08	BOLT FLANGE 6*32(C)	BOLT FLANGE 6*32(C)	1	



F09

Seat



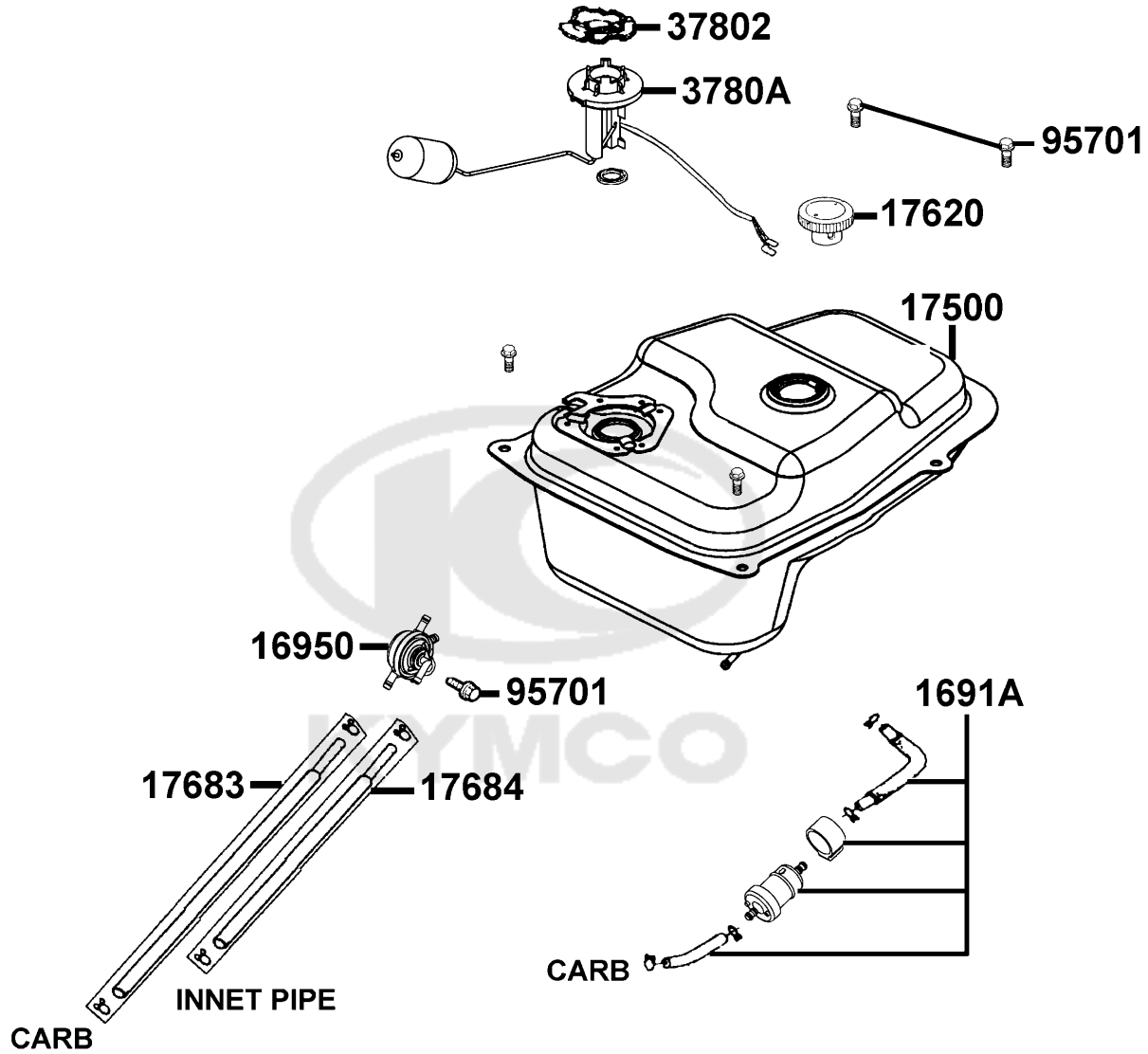
Sales mark	Ref no	Part no	Description	Reg description	Regd no	F09
------------	--------	---------	-------------	-----------------	---------	------------

77200		77200-LEJ2-E10	SEAT ASSY	SEAT ASSY	1	
89010		89010-KGBG-C00	TOOL SET	TOOL SET	1	
89020		89020-KKC4-900	BAND TOOL SET	BAND TOOL SET	1	
94050		94050-06080	NUT FLANG 6MM	NUT FLANG 6MM	2	

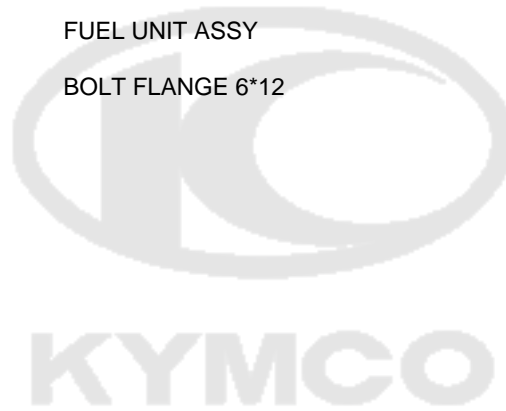


F10

Fuel Tank

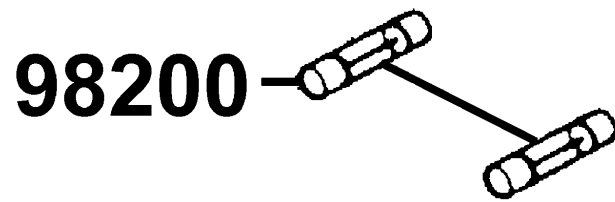


Sales mark	Ref no	Part no	Description	Reg description	Regd no	F10
1691A		1691A-LEJ2-E10	STRAINER ASSY FUEL	STRAINER ASSY FUEL	1	
16950		16950-LCA3-B50	AUTO COCK ASSY FUEL	AUTO COCK ASSY FUEL	1	
17500		17500-LEJ2-E10	TANK COMP FUEL	TANK COMP FUEL	1	
17620		17620-LBA8-C10	CAP FUEL FILLER	CAP FUEL FILLER	1	
17683		17683-LEJ2-E10	TUBE ASSY COCK-CARB	TUBE ASSY COCK-CARB	1	
17684		17684-LEJ2-E10	TUBE ASSY COCK-INLET PIPE	TUBE ASSY COCK-INLET PIPE	1	
37802		37802-GGA7-C00	RET FUEL UNIT	RET FUEL UNIT	1	
3780A		3780A-LEJ2-E10	FUEL UNIT ASSY	FUEL UNIT ASSY	1	
95701		95701-06012-08	BOLT FLANGE 6*12	BOLT FLANGE 6*12	5	

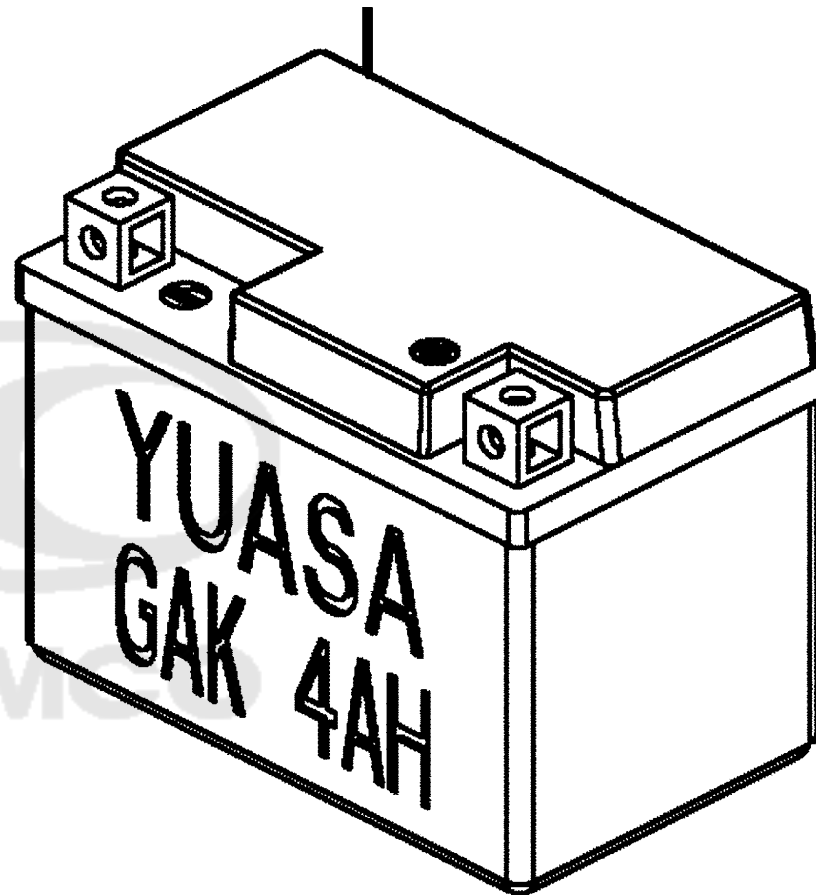


F11

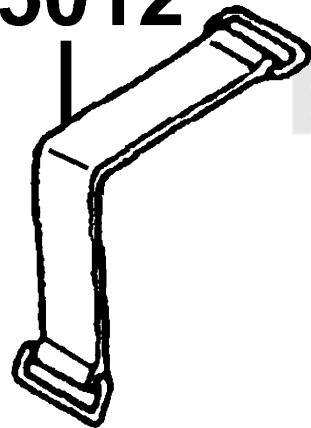
Battery



31500



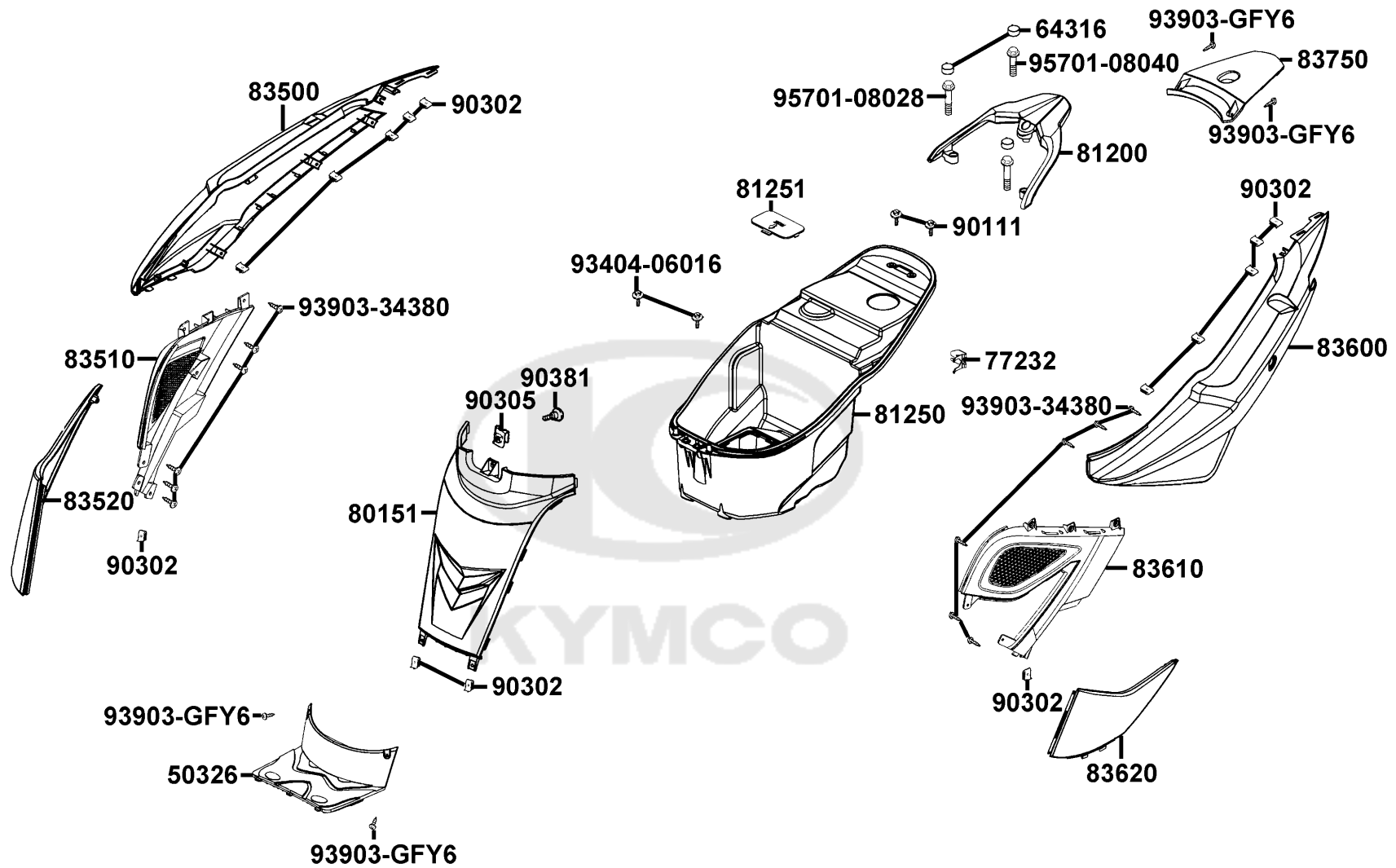
95012



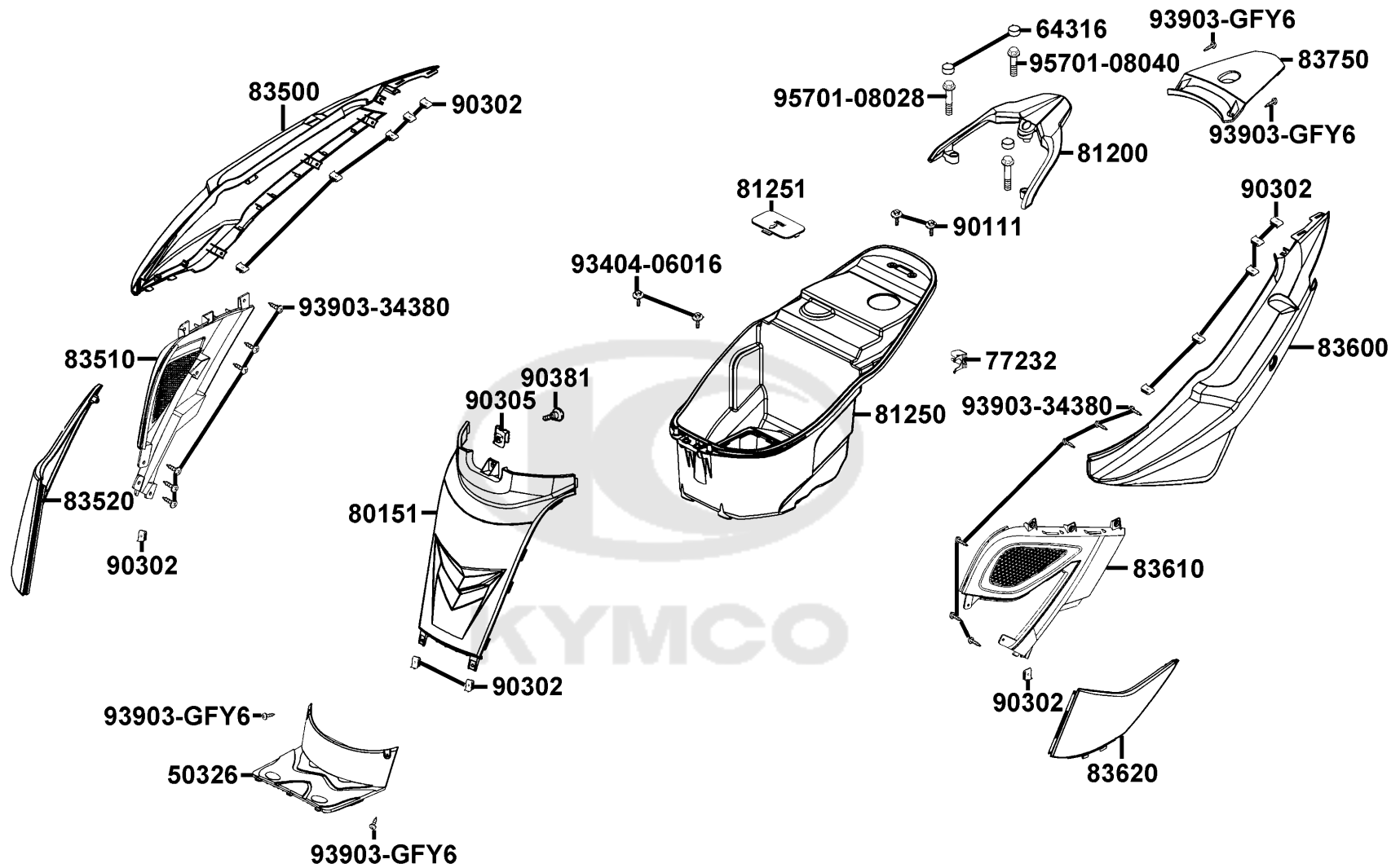
Sales mark	Ref no	Part no	Description	Reg description	Regd no	F11
------------	--------	---------	-------------	-----------------	---------	-----

31500		31500-GFY6-C00	BATTERY GTX6L-BS	BATTERY GTX6L-BS	1	
95012		95012-LEJ2-E10	BAND BATTERY	BAND BATTERY	1	
98200		98200-10700	FUSE A7	FUSE A7	2	





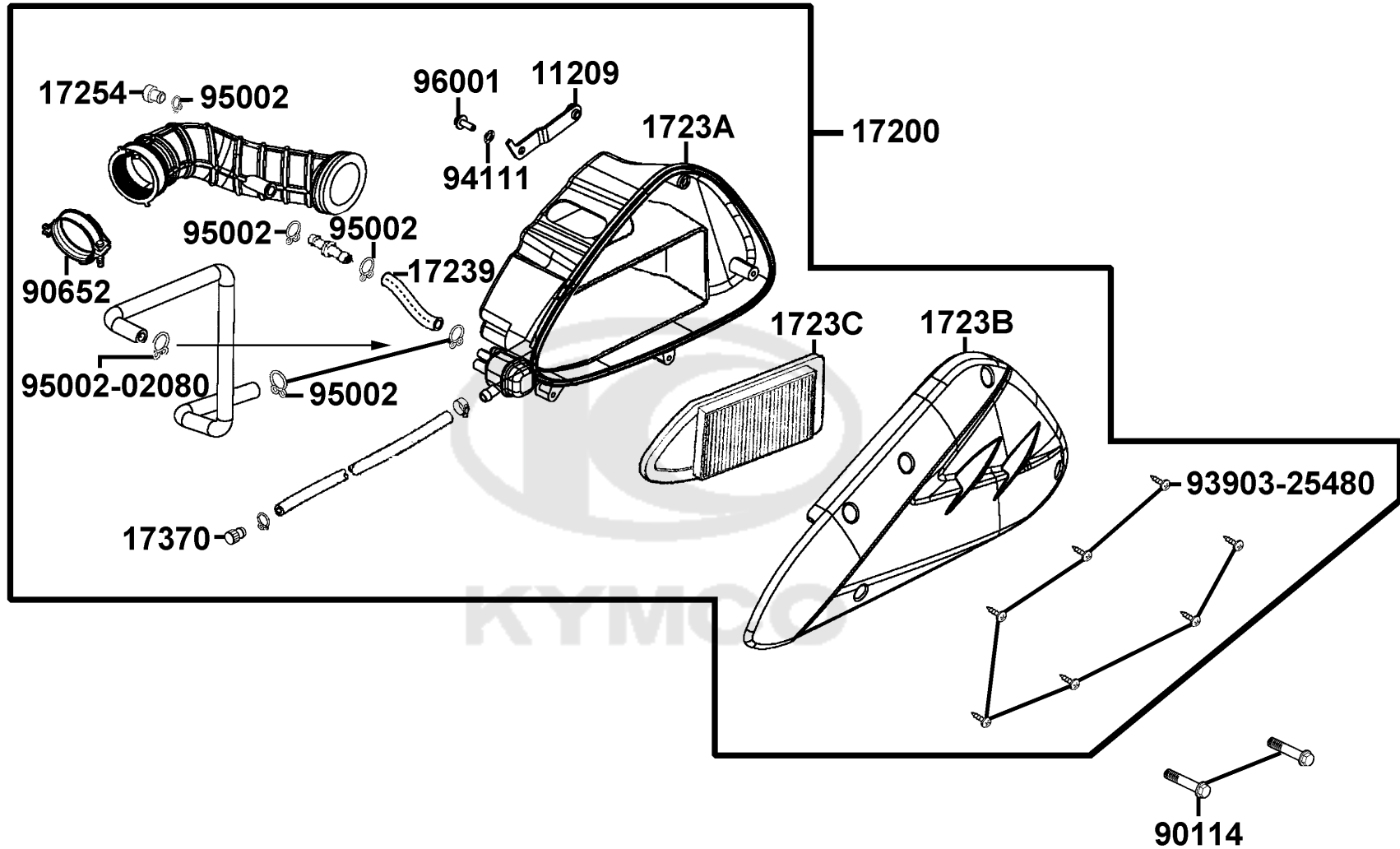
Sales mark	Ref no	Part no	Description	Reg description	Regd no	F12
**	50326	50326-LEJ2-E10	COVER BATTERY	COVER BATTERY	1	
	64316	64316-LCB9-C10	PLUG FLOOR	PLUG FLOOR	3	
	77232	77232-KCAC-C00	SET SPG SEAT LOCK	SET SPG SEAT LOCK	1	
	80151	80151-LEJ2-E10	COVER CENTER	COVER CENTER	1	
**	81200	81200-LEJ2-E10	CARRIER RR	CARRIER RR	1	
**	81200	81200-LEJ3-E10	CARRIER RR	CARRIER RR	1	
	81250	81250-LEJ3-E10	BOX LUGGAGE	BOX LUGGAGE	1	
	81251	81251-LEJ3-E10	COVER CARB. MAINT	COVER CARB. MAINT	1	
**	83500	83500-LEJ2-E10	COVER R BODY	COVER R BODY	1	
	83510	83510-LEJ2-E10	COVER R SIDE A	COVER R SIDE A	1	
**	83520	83520-LEJ2-E10	COVER R SIDE B	COVER R SIDE B	1	
**	83600	83600-LEJ2-E10	COVER L BODY	COVER L BODY	1	
**	83610	83610-LEJ2-E10	COVER L SIDE A	COVER L SIDE A	1	
**	83620	83620-LEJ2-E10	COVER L SIDE B	COVER L SIDE B	1	
**	83750	83750-LEJ2-E10	COVER RR CENTER	COVER RR CENTER	1	
	90111	90111-1G87-C00	BOLT FLANGE 6MM	BOLT FLANGE 6MM	1	
	90302	90302-SDA4-C00	NUT SPRING 4MM	NUT SPRING 4MM	1	
	90305	90305-GHK8-C00	NUT CLIP 6MM	NUT CLIP 6MM	1	
	90381	90381-GEZ5-C00	SCREW SPECIAL 6*17	SCREW SPECIAL 6*17	1	
	93404-06016	93404-06016-08	BOLT WASHER 6*16 (K)	BOLT WASHER 6*16 (K)	1	



Sales mark	Ref no	Part no	Description	Reg description	Regd no	F12
------------	--------	---------	-------------	-----------------	---------	------------

	93903-34380	93903-34380	BOLT FLANGE	BOLT FLANGE	12	
	93903-GFY6	93903-GFY6-C00	SCREW TAPPING 4*14	SCREW TAPPING 4*14	1	
	95701-08028	95701-08028-08	BOLT FLANGE 8*28	BOLT FLANGE 8*28	2	
	95701-08040	95701-08040-08	BOLT FLANGE 8*40 (C)	BOLT FLANGE 8*40 (C)	1	

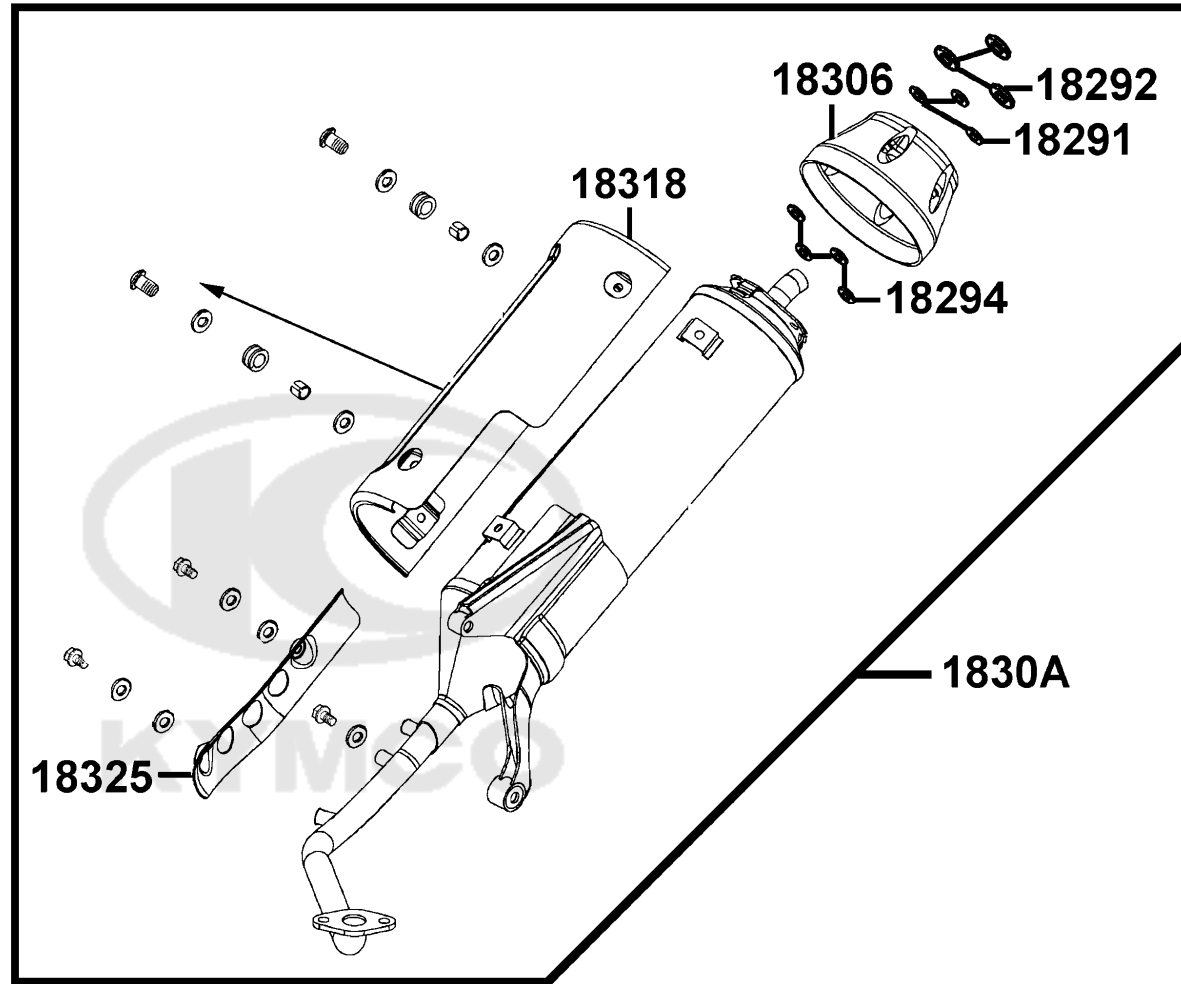
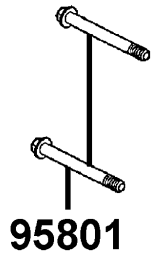
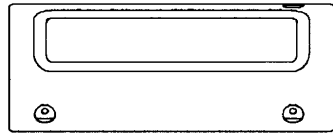




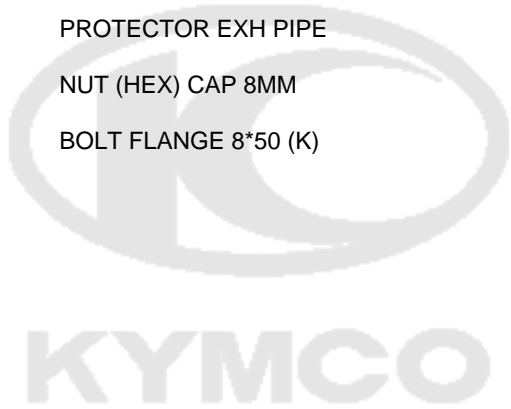
Sales mark	Ref no	Part no	Description	Reg description	Regd no	F13
11209		11209-LCD3-E00	STAY B RR FENDER	STAY B RR FENDER	1	
17200		17200-LEJ3-E10	AIR/C ASSY	AIR/C ASSY	1	
17239		17239-KHB4-C00	TUBE AIR/C BLOW BY	TUBE AIR/C BLOW BY	1	
1723A		1723A-LCD3-E00	CASE ASSY AIR/C	CASE ASSY AIR/C	1	
1723B		1723B-LEJ3-E10	COVER ASSY AIR/C	COVER ASSY AIR/C	1	
1723C		1723C-LEJ3-E10	ELEMENT ASSY AIR/C	ELEMENT ASSY AIR/C	1	
17254		17254-KACA-P00	PLUG AIR/C CONN TUBE	PLUG AIR/C CONN TUBE	1	
17370		17370-4K19-701	PLUG BREATHER TUBE	PLUG BREATHER TUBE	1	
90114		90114-GDM4-C00	BOLT M6*28	BOLT M6*28	1	
90652		90652-GFY6-C00	BAND 49 AIR/C CONNECTING TUBE	BAND 49 AIR/C CONNECTING TUBE	1	
93903		93903-25480	SCREW TAPPING 5*20 (K)	SCREW TAPPING 5*20 (K)	7	
94111		94111-06800	WASHER PLAIN 6MM	WASHER PLAIN 6MM	1	
95002-02080		95002-02080	CLIP B8 TUBE	CLIP B8 TUBE	1	
95002-02130		95002-02130	CLIP	CLIP	5	
96001		96001-GFY6-C00	BOLT SPECIAL 5X10	BOLT SPECIAL 5X10	1	

F14

Exhaust Muffler

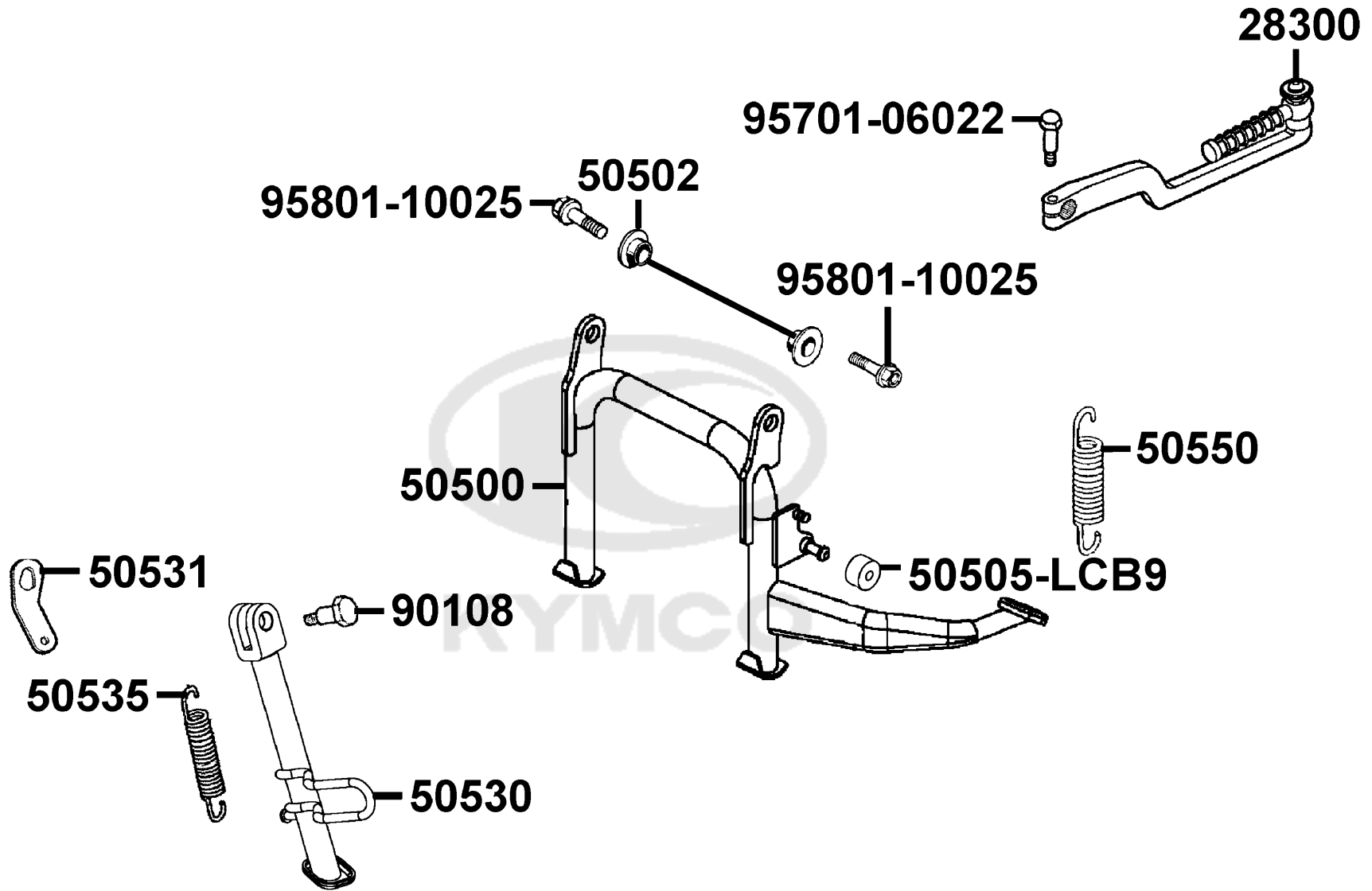


Sales mark	Ref no	Part no	Description	Reg description	Regd no	F14
	18291-GGA7	18291-GGA7-C00	GASKET EXH PIPE	GASKET EXH PIPE	1	
	18291-KEBE	18291-KEBE-C00	COLLAR	COLLAR	1	
	18292	18292-KEBE-C00	PACKING PROTECTOR	PACKING PROTECTOR	1	
	18294	18294-KEBE-C00	PACKING PROTECTOR	PACKING PROTECTOR	1	
	18306	18306-LEJ2-E10	TAIL CAP MUFFLER	TAIL CAP MUFFLER	1	
	1830A	1830A-LEJ3-E10	MUFFLER ASSY EXHAUST	MUFFLER ASSY EXHAUST	1	
	18318	18318-LEJ3-E10	PROTECTOR MUFFLER	PROTECTOR MUFFLER	1	
	18325	18325-LEJ3-E10	PROTECTOR EXH PIPE	PROTECTOR EXH PIPE	1	
	90301	90301-GFY6-C00	NUT (HEX) CAP 8MM	NUT (HEX) CAP 8MM	1	
	95801	95801-08050-07	BOLT FLANGE 8*50 (K)	BOLT FLANGE 8*50 (K)	2	



F15

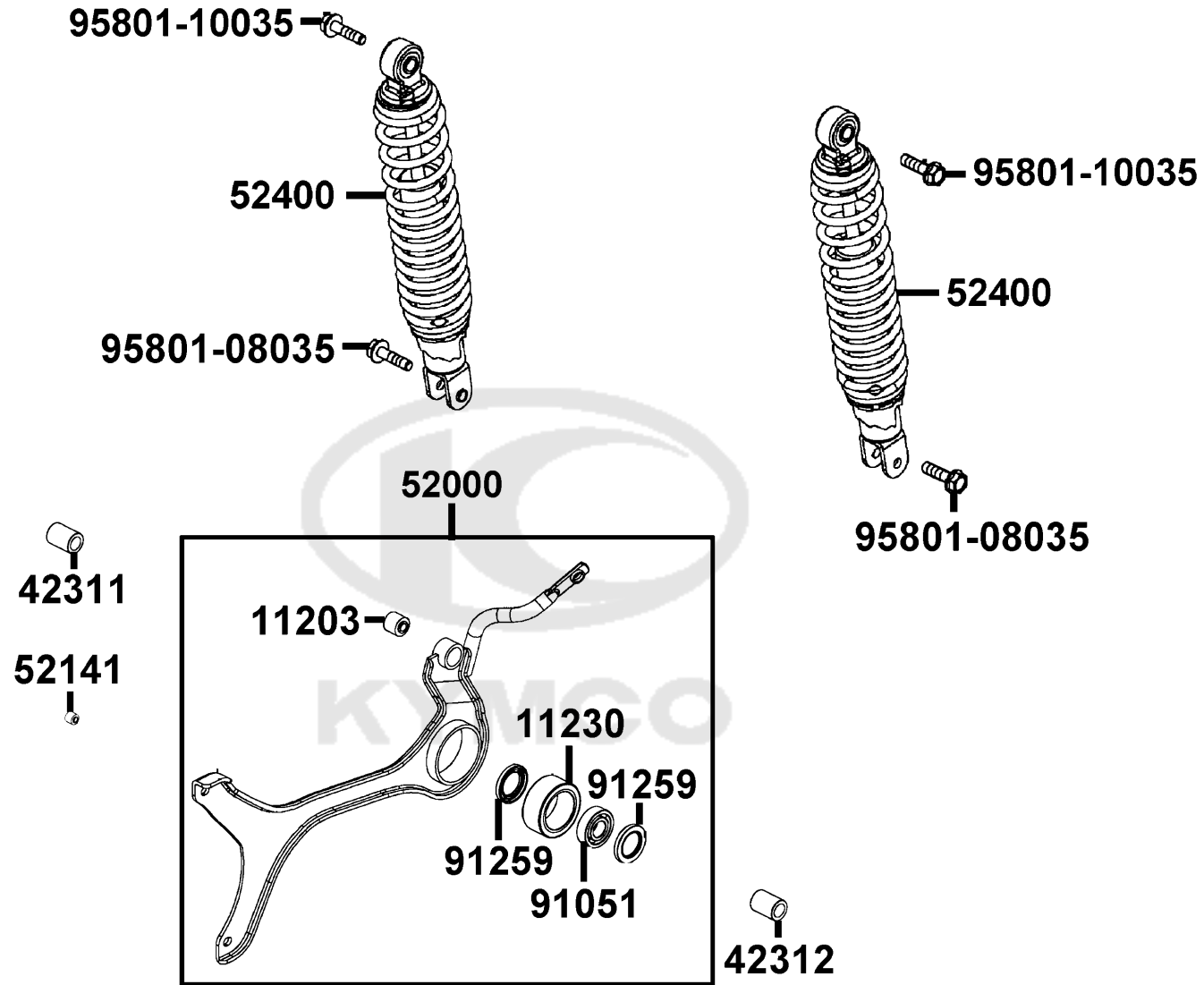
Stand Kick Starter Arm



Sales mark	Ref no	Part no	Description	Reg description	Regd no	F15
28300		28300-LEJ3-E10	"ARM ASSY,KICK START"	"ARM ASSY,KICK START"	1	
50500		50500-LEJ3-E10	STAND COMP MAIN	STAND COMP MAIN	1	
50502		50502-LDF7-C00	"COLLAR,MAIN STAND"	"COLLAR,MAIN STAND"	1	
50505-LCB9		50505-LCB9-C00	STOPPER RUBBER	STOPPER RUBBER	1	
50530		50530-LEJ2-E10	BAR SIDE STAND	BAR SIDE STAND	1	
50531		50531-KEB7-C00	PLATE SPRING STOPPER	PLATE SPRING STOPPER	1	
50535		50535-KEB7-W10	SPRING COMP SIDE STAND	SPRING COMP SIDE STAND	1	
50550		50550-KEB7-C00	SPG ASSY MAIN STAND	SPG ASSY MAIN STAND	1	
90108		90108-KFA6-E00	SCREW SIDE STAND PIVOT	SCREW SIDE STAND PIVOT	1	
95701		95701-06022-07	BOLT FLANGE 6*22	BOLT FLANGE 6*22	1	
95801		95801-10025-08	BOLT FLANGE 10*25C	BOLT FLANGE 10*25C	2	

F16

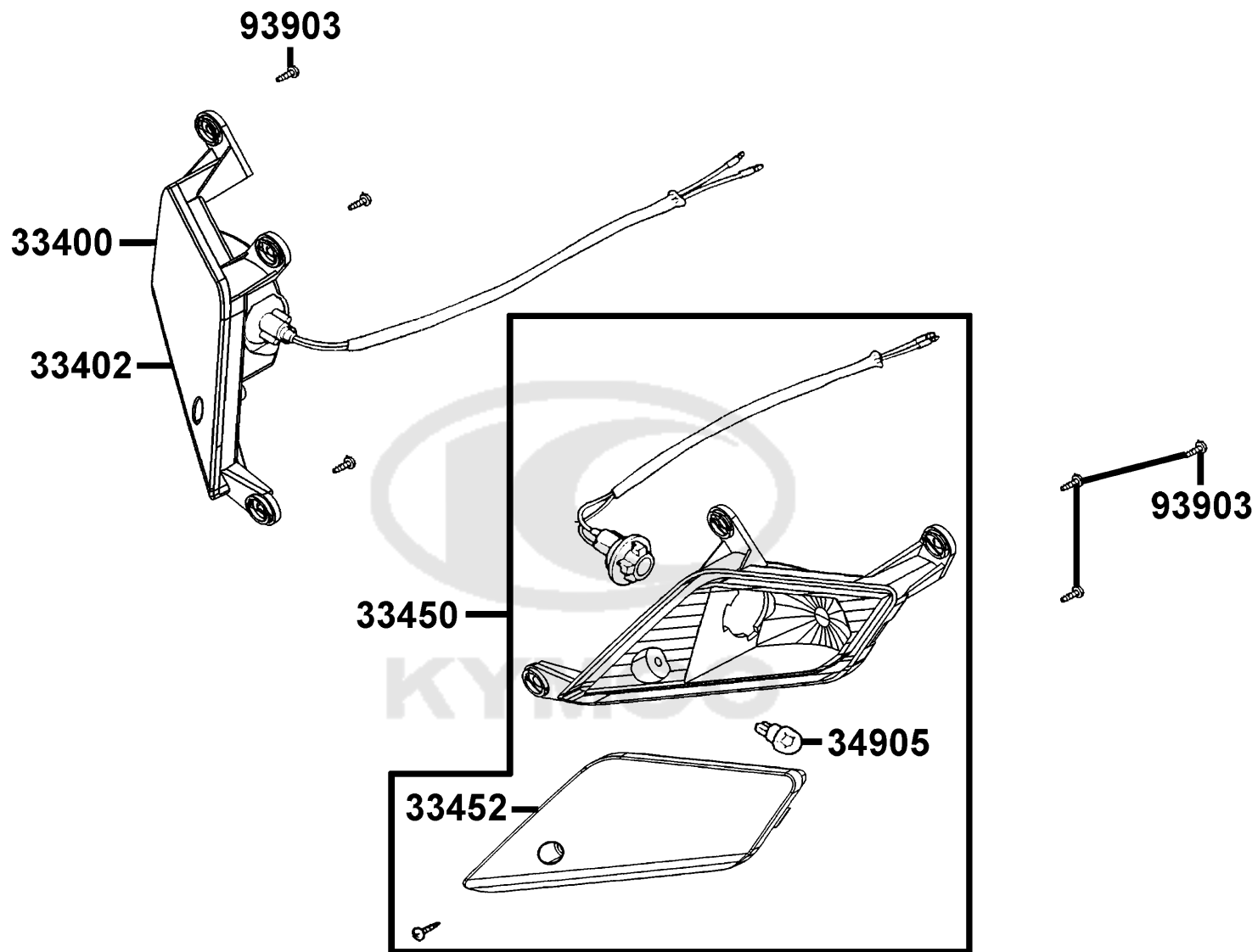
Rear Cushion



Sales mark	Ref no	Part no	Description	Reg description	Regd no	F16
	11203	11203-GGC7-W10	UNDER RUBBER BUSH RR CUSHION	UNDER RUBBER BUSH RR CUSHION	1	
	11230	11230-KFBF-C00	RUBBER BUSH RR FORK	RUBBER BUSH RR FORK	1	
	42311	42311-LEJ2-E10	COLLAR RR AXLE A	COLLAR RR AXLE A	1	
	42312	42312-LEJ2-E10	"COLLAR,RR AXLE SIDE"	"COLLAR,RR AXLE SIDE"	1	
	52000	52000-LEJ3-E10	FORK ASSY RR	FORK ASSY RR	1	
	52141	52141-LEJ3-E10	"COLLAR GUIDE, RR FORK"	"COLLAR GUIDE, RR FORK"	1	
**	52400	52400-LEJ3-E10	CUSHION ASSY RR	CUSHION ASSY RR	1	
	91051	91051-KFBF-C00	BRG BALL RADIAL 6203	BRG BALL RADIAL 6203	1	
	91259	91259-KFBF-C00	OIL SEAL	OIL SEAL	1	
	95801-08035	95801-08035-08	BOLT FLANGE 8*35(C)	BOLT FLANGE 8*35(C)	2	
	95801-10035	95801-10035-08	BOLT FLANGE 10*35 (C)	BOLT FLANGE 10*35 (C)	2	

F17

Front Winker

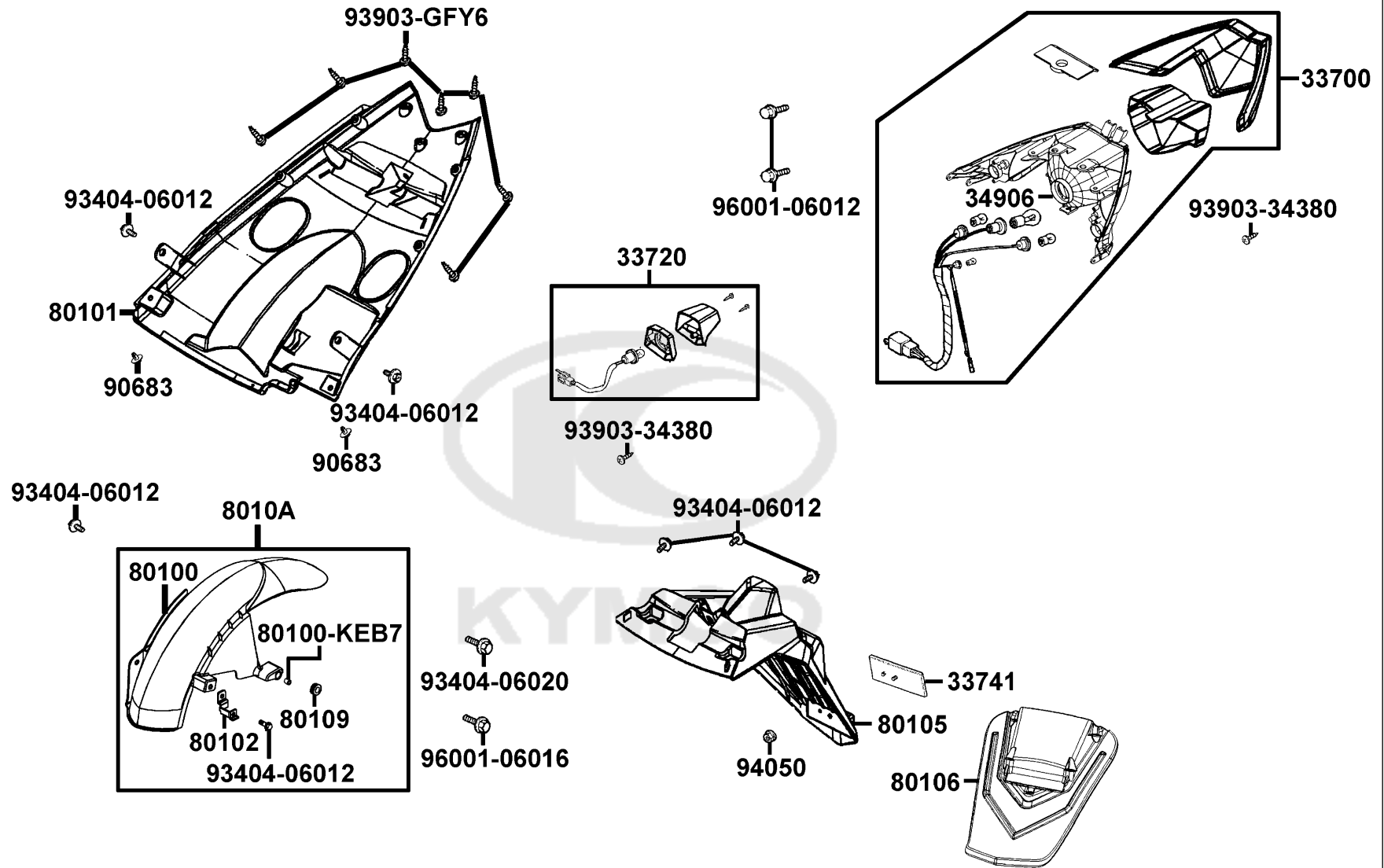


Sales mark	Ref no	Part no	Description	Reg description	Regd no	F17
	33400	33400-LEJ2-E10	WINKER ASSY RH FR	WINKER ASSY RH FR	1	
	33402	33402-LEJ2-E10	LENS R FR WINKER	LENS R FR WINKER	1	
	33450	33450-LEJ2-E10	WINKER ASSY LH FR	WINKER ASSY LH FR	1	
	33452	33452-LEJ2-E10	LENS L FR WINKER	LENS L FR WINKER	1	
	34905	34905-LCA5-E00	BULB WINKER	BULB WINKER	2	
	93903	93903-34380	BOLT FLANGE	BOLT FLANGE	6	



F18

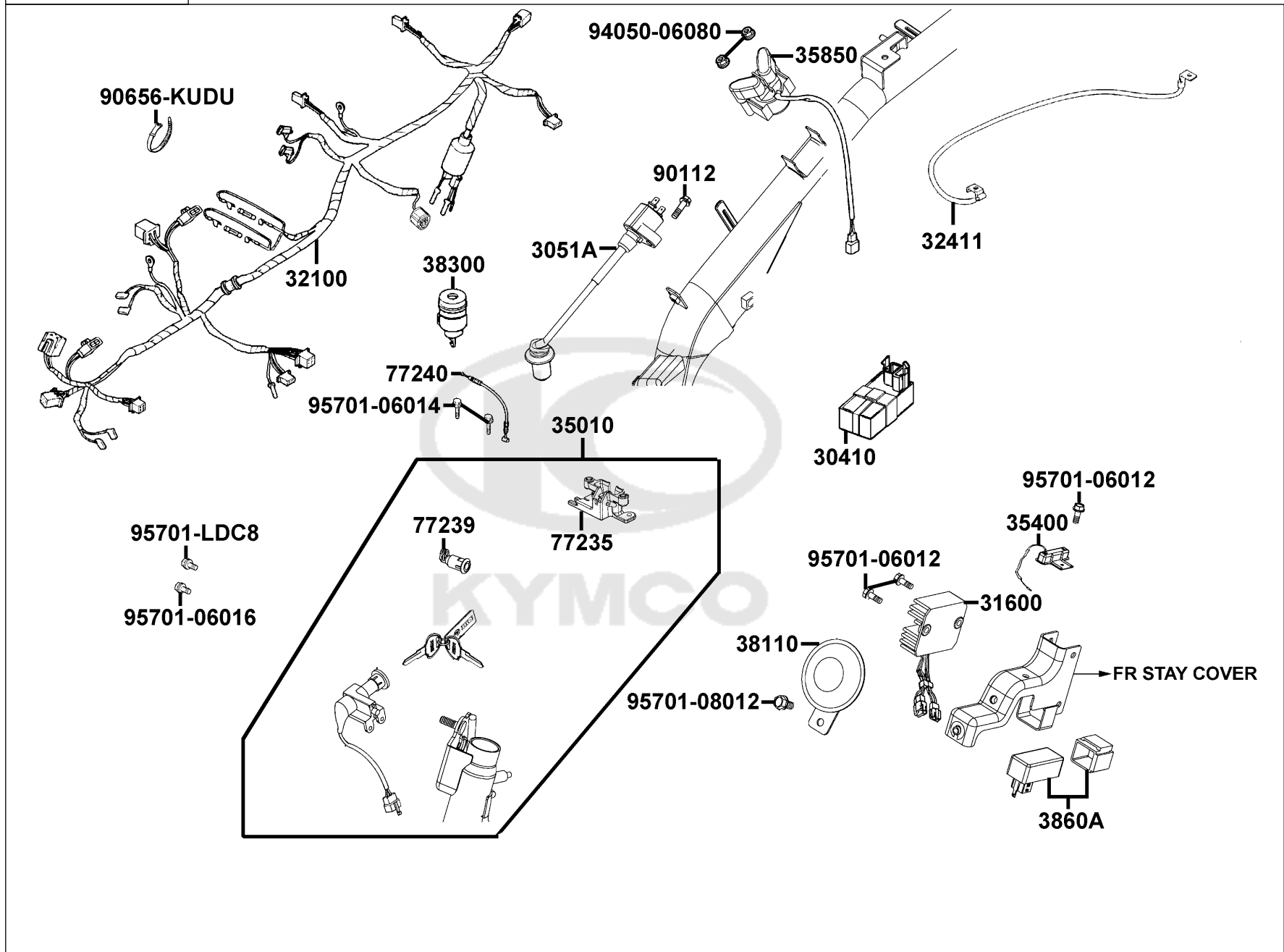
Tail Light



Sales mark	Ref no	Part no	Description	Reg description	Regd no	F18
	33700	33700-LEJ2-E10	LIGHT ASSY RR COMB	LIGHT ASSY RR COMB	1	
	33720	33720-LEJ2-E10	LIGHT ASSY LICENSE	LIGHT ASSY LICENSE	1	
	33741	33741-KEBE-C00	REFLEX REFLECTOR	REFLEX REFLECTOR	1	
	34906	34906-LBA8-E80	BULB TAIL LIGHT	BULB TAIL LIGHT	1	
	80100-KEB7	80100-KEB7-C00	COLLAR IN RUBBER	COLLAR IN RUBBER	1	
**	80100-LEJ3	80100-LEJ3-E10	FENDER RR TIRE	FENDER RR TIRE	1	
	80101	80101-LEJ2-E10	FENDER RR INNER	FENDER RR INNER	1	
	80102	80102-LCD2-C00	STAY RR TIRE FENDER	STAY RR TIRE FENDER	1	
**	80105	80105-LEJ2-E10	FENDER REAR	FENDER REAR	1	
**	80106	80106-LEJ2-E10	FENDER RR LOW	FENDER RR LOW	1	
	80109	80109-KEB7-C00	RUBBER RR FENDER B	RUBBER RR FENDER B	1	
	8010A	8010A-LEJ3-E10	FENDER ASSY. RR TIRE	FENDER ASSY. RR TIRE	1	
	90683	90683-GAR1-C00	CLIP BODY COVER	CLIP BODY COVER	1	
	93404-06012	93404-06012-07	BOLT WASHER 6*12(K)	BOLT WASHER 6*12(K)	6	
	93404-06020	93404-06020-07	BOLT WASHER 6*20(K)	BOLT WASHER 6*20(K)	1	
	93903-34380	93903-34380	BOLT FLANGE	BOLT FLANGE	16	
	93903-GFY6	93903-GFY6-C00	SCREW TAPPING 4*14	SCREW TAPPING 4*14	1	
	94050	94050-05080	NUT FLANGE 5MM	NUT FLANGE 5MM	1	
	96001-06012	96001-06012-08	BOLT FLANGE 6*12	BOLT FLANGE 6*12	2	
	96001-06016	96001-06016-08	BOLT FLANGE SH 6*16(C)	BOLT FLANGE SH 6*16(C)	1	

F19

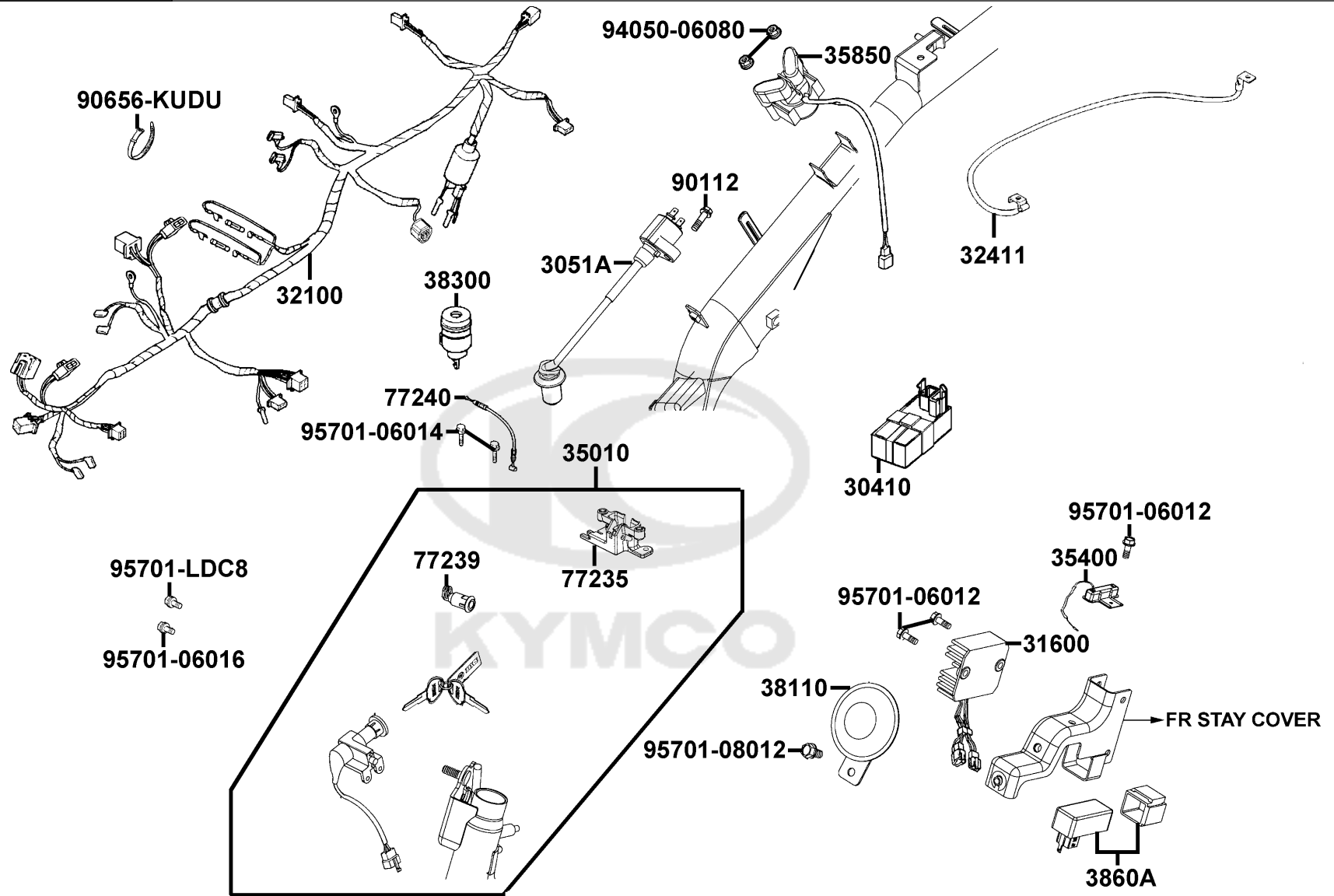
Wire Harness



Sales mark	Ref no	Part no	Description	Reg description	Regd no	F19
	30410	30410-LEJ3-E10	UNIT COMP CDI	UNIT COMP CDI	1	
	3051A	3051A-KHC4-C00	COIL ASSY IGN	COIL ASSY IGN	1	
	31600	31600-LCD3-E0B	REG REC COMP(DC)	REG REC COMP(DC)	1	
	32100	32100-LEJ3-E10	HARNESS WIRE	HARNESS WIRE	1	
	32411	32411-LEJ3-E11	CABLE BAT	CABLE BAT	1	
	35010	35010-LEJ2-E10	KEY SET	KEY SET	1	
	35400	35400-LEJ3-E10	RESISTOR COMP	RESISTOR COMP	1	
	35850	35850-KHD8-C00	RELAY ASSY START	RELAY ASSY START	1	
	38110	38110-KHB4-E0A	HORN COMP	HORN COMP	1	
	38300	38300-KECE-W10	RELAY ASS'Y WINKER	RELAY ASS'Y WINKER	1	
	3860A	3860A-LEJ2-E10	CONTROL ASSY LIGHTING	CONTROL ASSY LIGHTING	1	
	77235	77235-KGC4-C00	SEAT CATCH	SEAT CATCH	1	
	77239	77239-GFY6-C00	KEY SEAT LOCK	KEY SEAT LOCK	1	
	77240	77240-LFC2-E10	"CABLE,SEAT LOCK"	"CABLE,SEAT LOCK"	1	
	90112	90112-KRDR-C00	BOLT FLANGE 5*22	BOLT FLANGE 5*22	1	
	90656	90656-KUDU-900	BAND HARNESS WIRE	BAND HARNESS WIRE	1	
	94050	94050-06080	NUT FLANG 6MM	NUT FLANG 6MM	2	
	95701-06012	95701-06012-08	BOLT FLANGE 6*12	BOLT FLANGE 6*12	3	
	95701-06014	95701-06014-08	BOLT FLANGE 6*14 (C)	BOLT FLANGE 6*14 (C)	2	
	95701-06016	95701-06016-08	BOLT FLANGE 6*16 (C)	BOLT FLANGE 6*16 (C)	1	

F19

Wire Harness



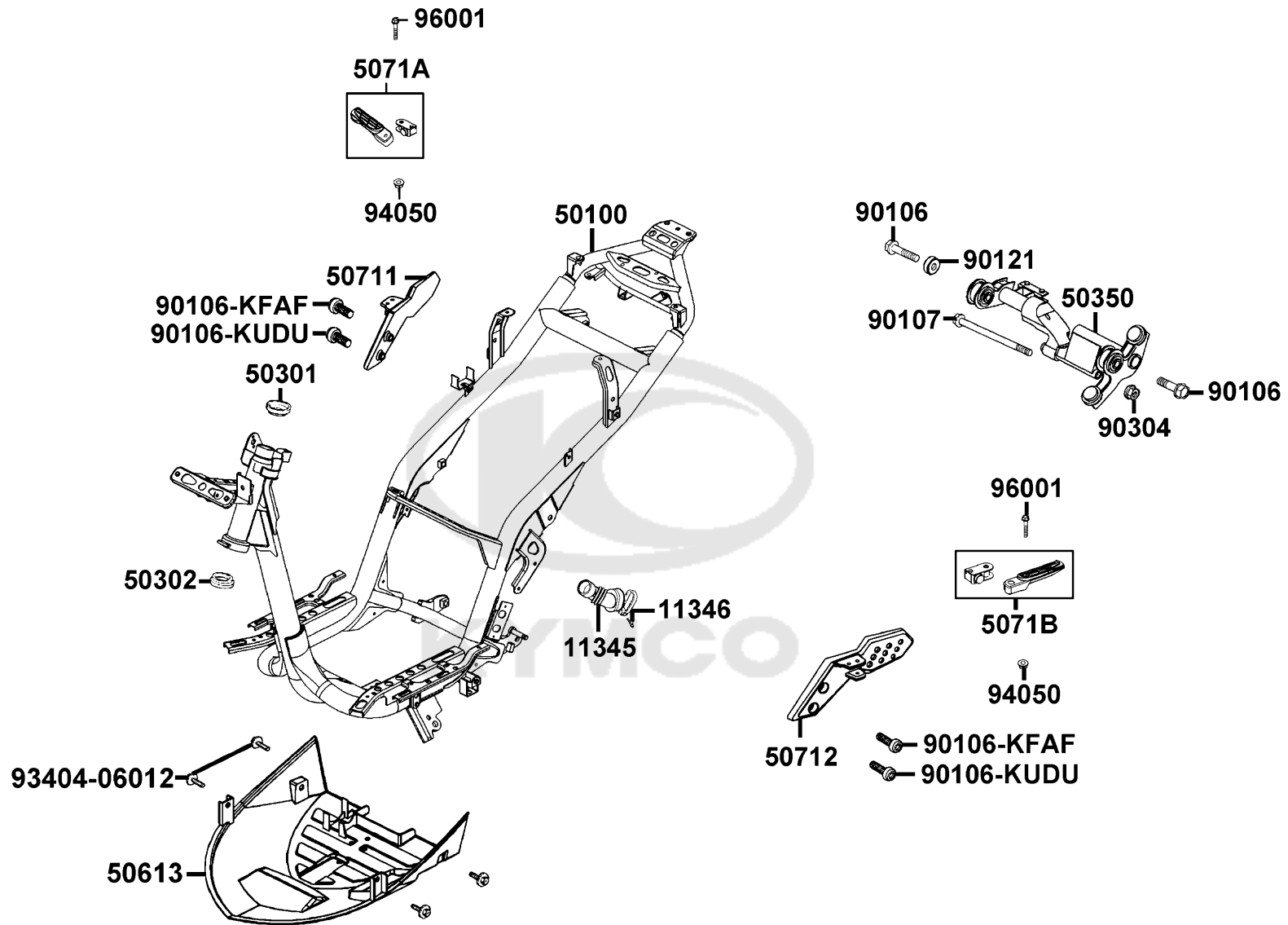
Sales mark	Ref no	Part no	Description	Reg description	Regd no	F19
------------	--------	---------	-------------	-----------------	---------	------------

95701-08012		95701-08012-08	BOLT FLANGE 8*12 (C)	BOLT FLANGE 8*12 (C)	2	
95701-LDC8		95701-LDC8-E10	BOLT TORQUE 6*16	BOLT TORQUE 6*16	1	



F20

Frame Body

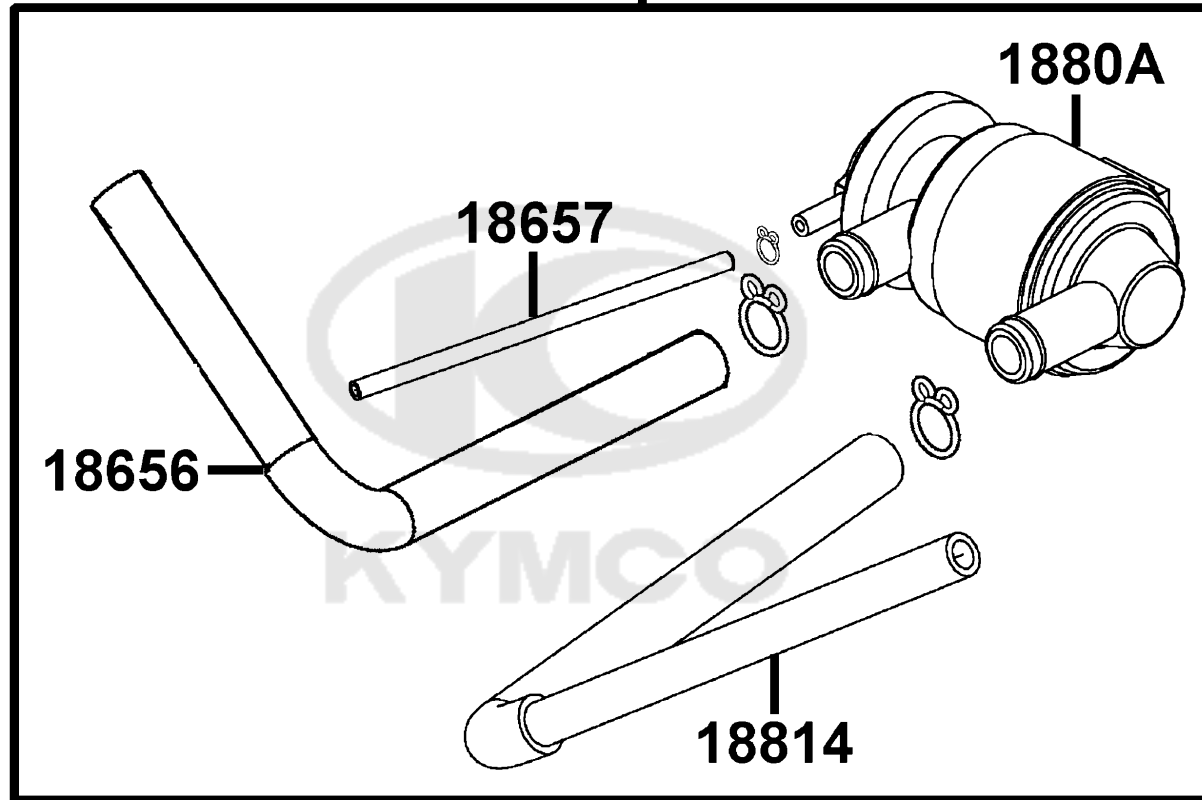


Sales mark	Ref no	Part no	Description	Reg description	Regd no	F20
	11345	11345-LEJ3-E10	DUCT L COVER	DUCT L COVER	1	
	11346	11346-KEBE-C00	BAND L COVER DUCT	BAND L COVER DUCT	1	
	50100	50100-LEJ3-E10	BODY COMP FRAME	BODY COMP FRAME	1	
	50301	50301-KGN7-C00	RACE UPPER STRG BALL	RACE UPPER STRG BALL	1	
	50302	50302-2H68-C00	RACE (STRG BOT) BALL	RACE (STRG BOT) BALL	1	
	50350	50350-LEJ3-E10	ENG HANGER ASSY	ENG HANGER ASSY	1	
**	50613	50613-LEJ2-E10	COVER UNDER	COVER UNDER	1	
	50711	50711-LEJ2-E10	"STEP R,RR STEP"	"STEP R,RR STEP"	1	
**	50712	50712-LEJ3-E10	STAY L RR STEP	STAY L RR STEP	1	
	5071A	5071A-LEJ2-E10	BAR R ASSY RR STEP	BAR R ASSY RR STEP	1	
	5071B	5071B-LEJ2-E10	BAR R ASSY RR STEP	BAR R ASSY RR STEP	1	
	90106-GFY6	90106-GFY6-901	BOLT FLANGE 10*55	BOLT FLANGE 10*55	2	
	90106-KFAF	90106-KFAF-900	BOLT FLANGE 10*55	BOLT FLANGE 10*55	2	
	90106-KUDU	90106-KUDU-900	BOLT FLANGE 8*26 (K)	BOLT FLANGE 8*26 (K)	2	
	90107	90107-KUDU-900	BOLT FLANGE 10*188	BOLT FLANGE 10*188	1	
	90121	90121-GFY6-C00	COLLAR DISTANCE	COLLAR DISTANCE	1	
	90304	90304-GHE8-C00	NUT U 10MM (C)	NUT U 10MM (C)	1	
	93404	93404-06012-07	BOLT WASHER 6*12(K)	BOLT WASHER 6*12(K)	4	
	94050	94050-06080	NUT FLANG 6MM	NUT FLANG 6MM	2	
	96001	96001-06040-07	BOLT FLANGE SH6*40	BOLT FLANGE SH6*40	2	

95002



1880B



1880A

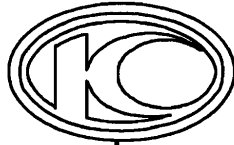
18657

18656

18814

Sales mark	Ref no	Part no	Description	Reg description	Regd no	F21
18656		18656-LEJ3-E10	"DUCT,AICV-REED VALVE"	"DUCT,AICV-REED VALVE"	1	
18657		18657-LEJ3-E10	TUBE INLET PIPE-AICV	TUBE INLET PIPE-AICV	1	
1880A		1880A-LEJ3-E10	AI/C-AICV ASSY	AI/C-AICV ASSY	1	
1880B		1880B-LEJ3-E10	AI/C-AICV SET	AI/C-AICV SET	1	
18814		18814-LEJ2-E10	DUCTAIR-AICV	DUCTAIR-AICV	1	
95002		95002-KKD6-C00	CLAMP D18 TUBE	CLAMP D18 TUBE	1	





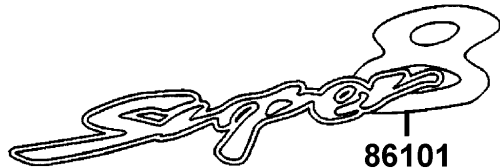
86102



86320



86310



86101



86231



86221



86330

86350

ENGINE OIL
 Make sure to use KYMCO-recommended SIGMA 4-stroke engine oil.
 • Full Capacity 0.85ℓ
 • Exchange Capacity 0.70ℓ
 After refilling, check the oil level with dipstick.
 KBC-E00

87541-KGBG

TRADE NAME: KYMCO
 VEHICLE CATEGORY: B

1	21.EB6-III
2	3.DC 32-L
3	4.R24CF
4	5.B.LCAZ-III
5	6.J125
6	7
7	8.KYMCO 188-1121
8	9.11Y-2840
9	10.361-428
10	11.NCC-01-0019
11	12.42.1000 8.1CA7

87224

MAX LOAD : 5 Kg

87556



86212

• Be sure to wear a safety helmet when riding.
 • Do not exceed the speed specified by the speed rating.
 • Do not exceed ambient temperature by very high after riding. Be sure to park the motorcycle in a place not easily touched by people.
 • In the riding safety and speed performance, do not make the use to modify the motorcycle.
 • Make sure to perform the periodic maintenance and periodic inspection.
 Periodic Inspection Items
 Brake Performance, tires, engine oil level, lights, horn, and instrument panel.
 KYMANG YANG MOTOR CO., LTD.

87560

CAUTIONS
 Before starting the engine, the side stand shall be kicked up to secure safety.

87541

CAUTIONS

Tire Size	Front 100/80-14	Rear 120/80-14
(One Rider)	Front 1.5 kgf/cm ²	Rear 1.75kgf/cm ²
(Two Rider)	Front 2.0 kgf/cm ²	Rear 2.25kgf/cm ²
Load Capacity	Shield 1.5kg	Clip Assy center 3kg
(As per KYMCO standard specification)		
(Note: The tire pressure must not overpass 2.3 kgf/cm ² .)		

• Check the motor oil level with the dipstick after refilling motor oil.
 LCB3-E000

87505

CAUTIONS
 Never put any article between the rear side cover and the engine to avoid interference of riding.
 CM9-300

87542

Sales mark	Ref no	Part no	Description	Reg description	Regd no	F22
**	86101	86101-LEJ2-E00	STRIPE FR COVER	STRIPE FR COVER	1	
	86102	86102-LEJ2-E00	STRIPE K-LOGO 22MM	STRIPE K-LOGO 22MM	1	
**	86212	86212-LEJ3-E10	EMB B BODY COVER	EMB B BODY COVER	1	
**	86221	86221-LEJ2-E00	STRIPE R BODY COVER	STRIPE R BODY COVER	1	
**	86231	86231-LEJ2-E00	STRIPE L BODY COVER	STRIPE L BODY COVER	1	
**	86310	86310-LEJ2-E00	STRIPE R SIDE MOLD	STRIPE R SIDE MOLD	1	
**	86320	86320-LEJ2-E00	STRIPE L SIDE MOLD	STRIPE L SIDE MOLD	1	
**	86330	86330-LEJ2-E00	STRIPE B R/L SIDE MOLD	STRIPE B R/L SIDE MOLD	1	
**	86350	86350-LEJ2-E00	STRIPE B R/L SIDE MOLD	STRIPE B R/L SIDE MOLD	1	
**	87224	87224-LEJ3-EZ0	CAUTION ANTI TAMPERING	CAUTION ANTI TAMPERING	1	
**	87505	87505-LEJ2-E00	LABEL TIRE	LABEL TIRE	1	
**	87541-GAR1	87541-GAR1-C01	MARK MAINT CAUTION L	MARK MAINT CAUTION L	1	
	87541-KGBG	87541-KGBG-E00	LABEL OIL CAP	LABEL OIL CAP	1	
	87542	87542-GAR1-E01	MARK MAINT CAUTION	MARK MAINT CAUTION	1	
**	87556	87556-LEJ2-E00	STRIPE GRAB RR	STRIPE GRAB RR	1	
**	87560	87560-GFY6-C01	MARK DRIVE CAUTION	MARK DRIVE CAUTION	1	

PART NO. INDEX

PART NO.	VERSION	PAGE	PART NO.	VERSION	PAGE	PART NO.	VERSION	PAGE
11000			12000			14450-GFY6-W10	1	E02
11100-KUDU-C00	6	E01	12100-GFY6-C00	6	E03	14452-GFY6-W10	1	E02
11102-1G87-C00	1	E01	12191-GFY6-C10	1	E03	14510-KUDU-W10	1	E03
11192-KUDU-C10	1	E01	12200-KUDU-C10	1	E02	14520-GFY6-C00	1	E03
11200-LCD3-C00	0	E01	12209-GDB4-C00	1	E02	14523-GFY6-901	1	E03
11203-GGC7-W10	2	E01	12211-KUDU-W10	4	E02	14531-GLR0-W10	1	E03
11203-GGC7-W10	2	F16	12251-GFY6-C00	1	E02	1453A-GFY6-W10	0	E03
11206-LCD3-C00	0	E01	12310-KHC4-900	0	E02	14610-KUDU-C10	1	E03
11208-KXCX-C00	0	E08	1231A-KHC4-900	0	E02	14711-KUDU-C00	1	E02
11208-LCD3-E00	2	E04	12361-GFY6-C00	1	E04	14721-KUDU-C00	1	E02
11209-LCD3-E00	0	F13	12391-GFY6-C10	0	E02	14751-KKJ9-C00	2	E02
11230-KFBF-C00	0	F16				14761-KKJ9-C00	2	E02
11331-LCD3-E00	4	E04	13000			14771-GDB4-C00	2	E02
11340-LEJ3-E11	0	E01	13000-KUDU-C00	9	E03	14775-MFA6-C00	2	E02
11345-LEJ3-E10	1	F20	13011-GFY6-C00	1	E03	14781-MFA6-C00	4	E02
11346-KEBE-C00	1	F20	13101-KUDU-C00	1	E03	15000		
11381-KHB4-C00	0	E01	13111-3D84-C00	1	E03	15100-KFB7-C00	0	E06
11382-LEJ3-E10	0	E01				15133-GFY6-W10	1	E06
11383-KUDU-C00	0	E01	14000			15141-GFY6-C00	1	E06
11394-KUDU-C10	1	E04	14100-LGS6-E10	1	E02	15421-1G07-W10	1	E04
11395-KHB4-C00	0	E01	14401-KUDU-C00	1	E03	15426-GAE1-C00	1	E04
			14431-KUDU-W10	4	E02	15651-KUDU-W10	1	E04
						1565A-KUDU-W10	1	E04
						15711-KUDU-C00	1	E06

PART NO. INDEX

PART NO.	VERSION	PAGE	PART NO.	VERSION	PAGE	PART NO.	VERSION	PAGE
16000			17000			18318-LEJ3-E10	0	F14
16012-KEC3-800	4	E09	1711A-LEJ3-E10	2	E02	18325-LEJ3-E10	3	F14
1603A-LFC3-E10	0	E09	17200-LEJ3-E10	0	F13	18646-GFY6-941	1	E02
16069-KEC3-900	0	E09	17239-KHB4-C00	0	F13	18656-LEJ3-E10	0	F21
16074-KEC3-900	0	E09	1723A-LCD3-E00	0	F13	18657-LEJ3-E10	1	F21
16079-LEJ3-E10	0	E09	1723B-LEJ3-E10	0	F13	1880A-LEJ3-E10	1	F21
16087-KEC3-900	3	E09	1723C-LEJ3-E10	0	F13	1880B-LEJ3-E10	3	F21
16088-KEC3-900	1	E09	17254-KACA-P00	1	F13	18814-LEJ2-E10	0	F21
16093-5102-C00	0	E09	17256-GFY6-C00	4	E02	19000		
16095-KEC3-900	2	E09	17370-4K19-701	1	F13	19510-KFB7-C00	0	E07
16100-LEJ3-E10	0	E09	17500-LEJ2-E10	5	F10	1961A-KUDU-E10	2	E07
16122-KEC3-900	0	E09	17620-LBA8-C10	0	F10	19625-KUDU-C00	1	E02
16131-KEC3-900	0	E09	17683-LEJ2-E10	0	F10	1962A-KKE3-C00	0	E07
16132-KEC3-900	0	E09	17684-LEJ2-E10	0	F10	1963A-LDF7-E10	1	E07
16138-KEC3-900	1	E09	17910-KHD8-C00	0	F03	21000		
16142-KEC3-900	1	E09	18000			21200-LCD3-C00	0	E08
16154-KEC3-900	0	E09	18291-GGA7-C00	0	F14	21395-LCD3-C00	0	E08
16180-KEC3-900	0	E09	18291-KEBE-C00	0	F14	22000		
16181-KEC3-900	1	E09	18292-KEBE-C00	0	F14	22101-LCD3-C00	3	E05
16201-GFY6-901	1	E02	18294-KEBE-C00	0	F14	22102-KUDU-E80	0	E05
16211-GFY6-W10	1	E02	18306-LEJ2-E10	3	F14			
1691A-LEJ2-E10	0	F10	1830A-LEJ3-E10	0	F14			
16950-LCA3-B50	1	F10						

PART NO. INDEX

PART NO.	VERSION	PAGE	PART NO.	VERSION	PAGE	PART NO.	VERSION	PAGE
22105-GFY6-C00	0	E05	23432-LCD3-C00	0	E08	31110-LCD3-C00	0	E07
22110-KUDU-E80	0	E05	2343A-KHB4-C00	0	E08	31120-LEJ3-E10	0	E07
22121-GFY6-C00	0	E05				31200-KUDU-C00	4	E06
22131-GFY6-C00	3	E05	28000			31500-GFY6-C00	1	F11
22132-KBN2-C00	0	E05				31600-LCD3-E0B	3	F19
22300-LCD3-C00	0	E05	28101-GFY6-C00	1	E06			
22350-GFY6-C00	0	E05	28102-GFY6-C00	1	E06	32000		
22361-KGN7-C00	0	E05	28110-GFY6-C10	1	E06			
22401-LCD4-C00	0	E05	28120-GFY6-C00	0	E06	32100-LEJ3-E10	3	F19
22530-LCD3-C00	0	E05	28125-GFY6-C10	3	E06	32101-GFY6-C00	1	F04
22804-GBB2-C00	0	E05	28211-KUDU-W10	4	E05	32411-LEJ3-E11	0	F19
			2823A-KNBN-C00	1	E01	32412-LDF7-E10	1	E04
23000			28250-LEJ3-E10	1	E01	32961-KUDU-C00	1	E04
			28253-GBN2-C00	1	E01			
23010-LEJ3-E10	1	E05	28255-GFS6-C00	1	E01	33000		
23100-KEC4-C00	2	E05	28281-GBN2-C00	1	E01			
23200-GFY6-C00	3	E05	28300-LEJ3-E10	0	F15	33100-LEJ2-E10	0	F01
23210-GFY6-C00	0	E05				33102-LEJ2-E10	0	F01
23220-GFY6-C00	0	E05	30000			33108-LEJ2-E10	0	F01
23225-GHC8-C00	0	E05				33400-LEJ2-E10	0	F17
23226-GHC8-C00	0	E05	30410-LEJ3-E10	1	F19	33402-LEJ2-E10	0	F17
23233-GCW3-C00	0	E05	3051A-KHC4-C00	1	F19	33450-LEJ2-E10	0	F17
23237-GFY6-C00	0	E05				33452-LEJ2-E10	0	F17
23238-GFY6-C00	0	E05	31000			33700-LEJ2-E10	0	F18
23411-KHB4-C00	0	E08				33720-LEJ2-E10	0	F18
23420-LCD3-C00	0	E08	31100-LEJ3-E10	0	E07	33731-KGB5-C00	2	F06

PART NO. INDEX

PART NO.	VERSION	PAGE	PART NO.	VERSION	PAGE	PART NO.	VERSION	PAGE		
33741-KEBE-C00	0	F18	37000			42600-LEJ2-E10	0	F08		
34000				37200-LEJ3-E0A	0	F02	42601-LEJ2-E10	0	F08	
				37200-LEJ3-E0B	0	F02	42710-LEJ2-E11	0	F08	
34901-LDC8-E10	1	F01		37211-LEJ2-E0A	0	F02	43000			
34903-LDC8-E10	1	F01		37211-LEJ2-E0B	0	F02		4312A-KUDU-C00	1	F08
34905-LCA5-E00	0	F17		37213-LEJ2-E0A	0	F02		4314A-LCD3-E00	2	F08
34906-LBA8-E80	1	F18		37213-LEJ2-E0B	0	F02		43151-KGM7-C00	0	F08
34908-LEJ2-E00	0	F02		37224-LEJ2-E0A	0	F02		43410-KFA6-900	1	F08
34909-LEJ2-E00	0	F02		37224-LEJ2-E0B	0	F02		43450-LCD3-C00	0	F03
35000				37280-LEJ2-E0A	0	F02		43472-LEJ3-E10	0	F08
			37280-LEJ2-E0B	0	F02	44000				
			37802-GGA7-C00	1	F10			44301-KXCX-900	4	F07
			3780A-LEJ2-E10	0	F10			44311-KHB4-C00	0	F07
35010-LEJ2-E10	0	F19	38000				44600-LEJ2-E81	0	F07	
35151-KGBG-C00	0	F03		38110-KHB4-E0A	0	F19	44601-LEJ2-E10	0	F07	
35152-LGB5-E10	0	F03		38300-KECE-W10	2	F19	44620-KFLF-C00	1	F07	
3515A-LGB5-E10	3	F03		3860A-LEJ2-E10	1	F19	44680-4L10-C00	0	F07	
35201-KGBG-C00	0	F03		42000			44710-LEJ2-E11	0	F07	
35202-LGB5-E10	0	F03			42311-LEJ2-E10	0	F16	44800-LKD1-E10	1	F07
3520A-LCD3-C00	0	F03			42312-LEJ2-E10	1	F16	44830-LCD3-C00	0	F02
35340-KKJ9-C00	0	F03								
35340-KNBN-901	1	F04								
35400-LEJ3-E10	1	F19								
35850-KHD8-C00	1	F19								

PART NO. INDEX

PART NO.	VERSION	PAGE	PART NO.	VERSION	PAGE	PART NO.	VERSION	PAGE
45000			50531-KEB7-C00	1	F15	53105-LBB5-C00	0	F03
			50535-KEB7-W10	3	F15	53125-GEN5-C00	1	F03
			50550-KEB7-C00	1	F15	53140-LEJ2-E10	0	F03
45105-LEJ2-306	0	F04	50613-LEJ2-E10	0	F20	53166-LEJ2-E10	0	F03
45121-LEJ2-E80	0	F07	50711-LEJ2-E10	2	F20	53172-KTCT-C00	0	F03
45126-LDC8-E10	2	F04	50712-LEJ3-E10	1	F20	53175-LDC8-E10	1	F04
45156-KHC5-E10	0	F06	5071A-LEJ2-E10	0	F20	53178-LCD1-C00	3	F03
45156-LCB9-B20	0	F06	5071B-LEJ2-E10	0	F20	5317B-LCD1-C00	0	F03
45200-LEJ2-E1A	0	F04				53200-LEJ2-E10	0	F06
45500-LDC8-E10	3	F04	51000			53205-LEJ2-E10	0	F03
4550B-LEJ2-E10	0	F04				53205-LEJ2-E10	5	F03
45517-GFY6-900	5	F03	51400-LEJ2-E10	0	F06	53206-LEJ2-E10	0	F03
			51400-LEJ2-E10	2	F06	53211-GFY6-C00	1	F06
50000			51500-LEJ2-E10	0	F06	53212-2L50-C00	1	F06
			51500-LEJ2-E10	2	F06	53214-2L50-C00	1	F06
50100-LEJ3-E10	5	F20				53215-2L50-C00	1	F06
50301-KGN7-C00	2	F20	52000					
50302-2H68-C00	2	F20				61000		
50306-1F96-C00	1	F06	52000-LEJ3-E10	1	F16			
50326-LEJ2-E10	0	F12	52141-LEJ3-E10	0	F16	61100-LEJ2-E10	0	F06
50350-LEJ3-E10	0	F20	52400-LEJ3-E10	0	F16	61110-LDC8-E90	0	F06
50500-LEJ3-E10	1	F15				61112-LDC8-E90	0	F06
50502-LDF7-C00	1	F15	53000			6111A-LDC8-E90	0	F06
50504-LEJ3-E11	0	E01						
50505-LCB9-C00	0	F15	53100-LEJ2-E10	3	F03			
50530-LEJ2-E10	0	F15	53102-KEC8-C00	0	F03			

PART NO. INDEX

PART NO.	VERSION	PAGE	PART NO.	VERSION	PAGE	PART NO.	VERSION	PAGE
64000			77000			81133-KGBG-C00	0	F05
64206-MLJ0-C00	1	F06	77200-LEJ2-E10	0	F09	81134-KGBG-C00	2	F05
64210-LEJ2-E10	0	F03	77232-KCAC-C00	2	F12	81200-LEJ2-E10	0	F12
64214-LEJ2-E10	0	F03	77235-KGC4-C00	2	F19	81200-LEJ2-E10	2	F12
64215-LEJ2-E10	0	F03	77239-GFY6-C00	0	F19	81200-LEJ3-E10	0	F12
64224-LEJ2-E10	0	F03	77240-LFC2-E10	5	F19	81200-LEJ3-E10	2	F12
64225-LEJ2-E10	0	F03				81250-LEJ3-E10	0	F12
64301-LEJ2-E10	1	F05	80000			81251-LEJ3-E10	0	F12
64302-LEJ2-E10	0	F05				83000		
64303-LEJ2-E10	0	F05	80100-KEB7-C00	0	F18	83500-LEJ2-E10	0	F12
64305-LEJ2-E10	0	F05	80100-LEJ3-E10	0	F18	83510-LEJ2-E10	0	F12
64306-LEJ2-E10	0	F05	80101-LEJ2-E10	0	F18	83520-LEJ2-E10	0	F12
64307-LEJ2-E10	0	F05	80102-LCD2-C00	0	F18	83550-KEC8-C00	1	F03
64308-LEJ2-E10	0	F05	80105-LEJ2-E10	0	F18	83551-KEC8-C10	1	F03
64309-LEJ2-E10	0	F05	80106-LEJ2-E10	1	F18	83600-LEJ2-E10	0	F12
64310-LEJ2-E10	0	F05	80109-KEB7-C00	0	F18	83610-LEJ2-E10	0	F12
64313-LEJ2-E10	0	F05	8010A-LEJ3-E10	0	F18	83620-LEJ2-E10	0	F12
64316-LCB9-C10	4	F05	80151-LEJ2-E10	0	F12	83750-LEJ2-E10	0	F12
64316-LCB9-C10	4	F12				86000		
64323-LEJ2-E10	0	F05	81000			86101-LEJ2-E00	0	F22
64400-LEJ2-E10	0	F05				86101-LEJ2-E00	2	F22
			81131-LEJ2-E10	0	F05	86102-LEJ2-E00	2	F22
			81132-LCB9-C10	0	F05			
			81132-LEJ2-E10	0	F05			

PART NO. INDEX

PART NO.	VERSION	PAGE	PART NO.	VERSION	PAGE	PART NO.	VERSION	PAGE
86212-LEJ3-E10	0	F22				90112-KRDR-C00	1	F19
86221-LEJ2-E00	0	F22	89000			90114-GDM4-C00	0	F13
86231-LEJ2-E00	0	F22				90121-GFY6-C00	1	F20
86310-LEJ2-E00	0	F22	89010-KGBG-C00	1	F09	90131-GLW0-C00	0	F04
86320-LEJ2-E00	0	F22	89020-KKC4-900	1	F09	90145-9A61-C00	1	F04
86330-LEJ2-E00	0	F22				90201-GFY6-901	1	E06
86350-LEJ2-E00	0	F22	90000			90202-1G87-C00	0	E05
						90206-0A01-C00	2	E02
87000			90001-GBHB-C00	1	E03	90301-GFY6-C00	2	F14
			90005-KAW1-901	1	E03	90302-GFY6-C10	0	F03
87224-LEJ3-EZ0	0	F22	9000A-LEJ2-E10	0	E01	90302-GFY6-C10	0	F06
87505-LEJ2-E00	0	F22	90012-3C33-C00	1	E02	90302-SDA4-C00	2	F05
87541-GAR1-C01	0	F22	90031-KUDU-C00	1	E01	90302-SDA4-C00	2	F12
87541-GAR1-C01	1	F22	90032-KUDU-C00	1	E01	90304-4H38-C00	0	E02
87541-KGBG-E00	0	F22	90033-GFY6-C00	2	E02	90304-GHE8-C00	1	F03
87542-GAR1-E01	2	F22	90105-KCR3-001	3	F07	90304-GHE8-C00	1	F20
87556-LEJ2-E00	2	F22	90105-KHC4-900	0	F03	90305-GHK8-C00	1	F03
87560-GFY6-C01	3	F22	90106-GEN5-901	1	F03	90305-GHK8-C00	1	F06
			90106-GFY6-901	1	F20	90305-GHK8-C00	1	F12
88000			90106-KFAF-900	2	F20	90305-KNBN-C00	1	F08
			90106-KFC2-900	1	F03	90306-KLF0-C00	0	F07
88110-LEB5-C11	0	F03	90106-KUDU-900	2	F20	90381-GEZ5-C00	1	F12
88120-LEB5-C11	0	F03	90107-KUDU-900	2	F20	90403-KUDU-900	1	E06
			90108-KFA6-E00	1	F15	90412-3K29-C00	1	E01
			90110-KEB7-C00	1	F06	90426-KNBN-C00	1	E05
			90111-1G87-C00	1	F12	90440-1F66-C00	0	E07

PART NO. INDEX

PART NO.	VERSION	PAGE	PART NO.	VERSION	PAGE	PART NO.	VERSION	PAGE
90441-GFY6-C00	1	E05	91104-GFY6-C00	1	E06	93404-06016-08	0	F12
90451-GBN2-C00	1	E01	91104-KGN7-671	0	E01	93404-06020-07	4	F05
90465-MDC4-C00	0	E02	91201-GFY6-C00	1	E01	93404-06020-07	4	F18
90474-3C33-C00	1	E01	91202-KKJ9-C00	1	E01	93404-06022-07	0	F06
90501-KNBN-C00	1	F08	91211-KEBE-C00	0	E05	93500-04010-08	0	E09
9052A-GFY6-C00	1	E01	91252-0L30-004	0	F07	93500-04014-1A	0	E09
90545-3L00-C00	2	F04	91255-LDC8-E10	4	E08	93500-05012-08	0	E09
90605-1F66-C00	0	E05	91258-4L10-007	1	F07	93892-04008-18	0	E09
90652-GFY6-C00	1	F13	91259-KFBB-C00	0	F16	93903-25480	1	F13
90656-KUDU-900	0	F19	91301-0H28-C00	1	E02	93903-34380	6	F03
90668-LEJ2-E10	0	F06	91301-GLR0-W10	1	E03	93903-34380	6	F05
90683-GAR1-C00	4	F05	91302-0A01-C00	1	E04	93903-34380	6	F12
90683-GAR1-C00	4	F18	91306-1E05-C00	0	E03	93903-34380	6	F17
90701-HFB6-C00	0	E03	91307-0E35-W10	1	E04	93903-34380	6	F18
90701-HFB6-C00	0	E06	91351-6B42-C00	0	E05	93903-35220	4	F02
91000			92000			93903-35320	4	F01
91001-GFY6-C00	0	E05	92101-05012-0H	2	E07	93903-GFY6-C00	2	F05
91002-GGA7-C00	0	E05	92900-06060-0B	2	E02	93903-GFY6-C00	2	F12
91003-KDS4-C00	1	E08				94000		
91009-GLE0-C00	1	E08	93000			94050-05080	2	F06
91014-LLJ3-C00	1	F06				94050-05080	2	F18
91015-LLJ3-C00	1	F06	93404-06012-07	5	F05	94050-06080	2	E02
91051-KFBB-C00	1	F16	93404-06012-07	5	F18	94050-06080	2	E06
91101-1K79-C00	1	E06	93404-06012-07	5	F20			

PART NO. INDEX

PART NO.	VERSION	PAGE	PART NO.	VERSION	PAGE	PART NO.	VERSION	PAGE	
94050-06080	2	F09	95701-06012-08	3	F10	96000			
94050-06080	2	F19	95701-06012-08	3	F19				
94050-06080	2	F20	95701-06014-08	0	F19				
94050-08080	4	E02	95701-06016-08	1	F19		96001-06012-08	3	E01
94050-12080	1	E05	95701-06020-08	0	F03		96001-06012-08	3	E04
94050-12080	1	E07	95701-06022-07	1	F15		96001-06012-08	3	E06
94111-06800	1	F13	95701-06025-08	2	E02		96001-06012-08	3	F18
94301-10160	4	E01	95701-06032-08	1	F08		96001-06016-08	6	E06
94301-10160	4	E02	95701-06035-08	1	E02		96001-06016-08	6	E07
94301-10160	4	E03	95701-06040-08	0	E02		96001-06016-08	6	F18
94301-10160	4	E04	95701-06050-08	1	E02		96001-06018-08	1	E07
94301-10200-M2	1	E01	95701-08012-08	2	E01		96001-06020-08	2	E07
94511-14000	1	E01	95701-08012-08	2	F19		96001-06025-08	4	E06
94520-28000	0	E05	95701-08028-08	0	F12		96001-06025-08	4	E07
94591-25000	0	E09	95701-08040-08	3	F12		96001-06028-08	1	E04
94601-15000	1	E03	95701-LDC8-E10	0	F19	96001-06040-07	0	F20	
95000			95801-06040-08	0	E04	96001-06045-08	1	E01	
			95801-06040-08	0	E08	96001-06050-08	1	E01	
			95801-08035-08	0	F16	96001-06100-08	2	E02	
			95801-08040-08	4	F06	96001-06100-08	2	E04	
95002-02080	0	F13	95801-08050-07	0	F14	96001-06110-08	1	E04	
95002-02130	0	F13	95801-10025-08	0	F15	96001-GFY6-C00	3	F13	
95002-KKD6-C00	1	F21	95801-10035-08	1	F16	96100-60020-00	1	E08	
9500A-35185-20	0	E09				96100-62020-00	1	E01	
95012-LEJ2-E10	0	F11				96100-63030-00	0	E01	
95701-06012-08	3	E04				96120-63010-10	0	F07	
95701-06012-08	3	F06							

PART NO. INDEX

PART NO.	VERSION	PAGE	PART NO.	VERSION	PAGE	PART NO.	VERSION	PAGE
96220-60100	1	E06						
96600-06012-10	3	E04						
96600-08010-10	0	E06						
98000								
98056-5771R-00	1	E02						
98200-10700	2	F11						

