

# PARTS CATALOGUE



## SCOOTERS

BA10BC(GR)

PEOPLE S 50 2T



Release Date : 1899/12/31  
Print Date : 2013/10/15

## ABOUT THIS PARTS LIST

- This parts list is compiled all service parts for model BA10BC(GR).
- Any difference between color chart and motorcycle will be revised according to motorcycle.
- The Mark:
  1. Marking "\*\*\*" must add color code in the end before ordering parts.
  2. Marking "#" are parts with modification, Please find the details from e-Parts system.
- When modification or additions to this parts list are made a revised edition at an appropriate time.

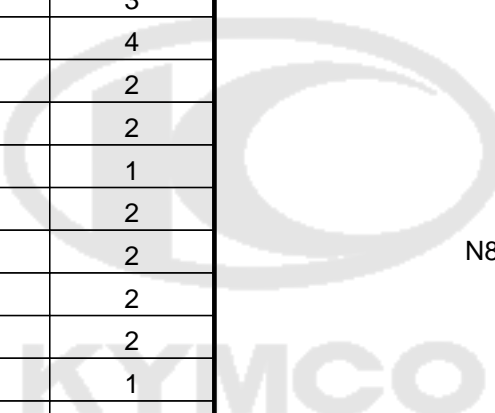


# CONTENTS

● ABOUT THIS PARTS LIST .....	1
● COLOR CHART OF BA10BC(GR) .....	3
● CONTENTS-ENGINE GROUP .....	11
● CONTENTS-FRAME GROUP .....	13
● ENGINE PARTS LIST .....	16
● FRAME PARTS LIST .....	46
● PART NO. INDEX .....	114

NO	MODEL			COLOR CHART OF BA10BC(GR)			
	PHOTO NO			NO. 1	NO. 2	NO. 3	NO. 4
	BASIC COLOR				Bright Blue		Light Blue Metallic
	CODE				Bright Blue		Light Blue Metallic
	PARTS NAME	PARTS NO.	VERSION	PB107MA	PB107MA	PB281MA	PB281MA
1	END HANDLE	53102-KEC8-900	0	F1S			
2	END R STRGHANDLE	53105-LBB5-E00	2				
3	COVER L SIDE	11341-KFA6-900	0				
4	MUFFLER ASSY EXH	1830A-LCD1-E01	6	HJA			
5	VISOR METER	6421A-LEJ8-E01	5	HJS			
6	LEVER R STRG HNDL	53175-KXBX-E10	3	LMR			
7	LEVER L STRG HANDLE	53178-LCD1-E00	1	M3A			
8	COVER FR HANDLE	53205-LCD3-E00	3	BAM			CAP
9	COVER RR HANDLE	53206-LCD3-E00	4				
10	PLUG COVER RR	53207-LCD3-E00	2				
11	FENDER FR	61100-LCD3-E00	2				
12	COVER FRONT	64301-LCD3-E00	1				
13	FR TOP	64303-LCD3-E00	2				
14	SKIRT R SIDE	64305-LCD3-E00	2				
15	SKIRT L SIDE	64306-LCD3-E00	2				
16	COWL UNDER	64400-LCD3-E00	2				
17	LEG SHIELD UP	81131-LCD3-E01	1				
18	LID INNER BOX	81132-LCD3-E00	1				
19	COVER R BODY	83500-LCD3-E00	1				
20	COVER L BODY	83600-LCD3-E00	1				
21	GRIP COMP THROT	53140-KGB5-900	0	N1R			
22	GRIP L HANDLE	53166-KGB5-900	0				
23	FLOOR PANEL	64310-LCD3-E00	2				
24	LEG SHIELD LOW	81141-LCD3-E00	1				
25	LID LEG SHIELD(VIN)	81142-KUDU-900	1				
DATE OF STARTING-SALES							
DATE OF END-SALES							

NO	MODEL			COLOR CHART OF BA10BC(GR)			
	PHOTO NO			NO. 5	NO. 6	NO. 7	NO. 8
	BASIC COLOR				Dark Gray Metallic	Black	
	CODE				Dark Gray Metallic	Black	
	PARTS NAME	PARTS NO.	VERSION	NH230MA	NH230MA	NH001SA	NH001SA
1	END HANDLE	53102-KEC8-900	0	F1S			
2	END R STRGHANDLE	53105-LBB5-E00	2				
3	COVER L SIDE	11341-KFA6-900	0				
4	MUFFLER ASSY EXH	1830A-LCD1-E01	6				
5	VISOR METER	6421A-LEJ8-E01	5				
6	LEVER R STRG HNDL	53175-KXBX-E10	3	M3A			
7	LEVER L STRG HANDLE	53178-LCD1-E00	1				
8	COVER FR HANDLE	53205-LCD3-E00	3				
9	COVER RR HANDLE	53206-LCD3-E00	4				
10	PLUG COVER RR	53207-LCD3-E00	2				
11	FENDER FR	61100-LCD3-E00	2	HKP			N1P
12	COVER FRONT	64301-LCD3-E00	1				
13	FR TOP	64303-LCD3-E00	2				
14	SKIRT R SIDE	64305-LCD3-E00	2				
15	SKIRT L SIDE	64306-LCD3-E00	2				
16	COWL UNDER	64400-LCD3-E00	2				
17	LEG SHIELD UP	81131-LCD3-E01	1				
18	LID INNER BOX	81132-LCD3-E00	1				
19	COVER R BODY	83500-LCD3-E00	1				
20	COVER L BODY	83600-LCD3-E00	1				
21	GRIP COMP THROT	53140-KGB5-900	0	N1R			
22	GRIP L HANDLE	53166-KGB5-900	0				
23	FLOOR PANEL	64310-LCD3-E00	2				
24	LEG SHIELD LOW	81141-LCD3-E00	1				
25	LID LEG SHIELD(VIN)	81142-KUDU-900	1				
DATE OF STARTING-SALES							
DATE OF END-SALES							

NO	MODEL			COLOR CHART OF BA10BC(GR)			
	PHOTO NO			NO. 9	NO. 10	NO. 11	NO. 12
	BASIC COLOR				Bright Silver	Pearly White	
	CODE				Bright Silver	Pearly White	
	PARTS NAME	PARTS NO.	VERSION	NH045MA	NH045MA	NH193PA	NH193PA
1	END HANDLE	53102-KEC8-900	0	F1S			
2	END R STRGHANDLE	53105-LBB5-E00	2				
3	COVER L SIDE	11341-KFA6-900	0	HJA			
4	MUFFLER ASSY EXH	1830A-LCD1-E01	6	HJS			
5	VISOR METER	6421A-LEJ8-E01	5	LMR			
6	LEVER R STRG HNDL	53175-KXBX-E10	3	M3A			
7	LEVER L STRG HANDLE	53178-LCD1-E00	1				
8	COVER FR HANDLE	53205-LCD3-E00	3	 N8P NVP			
9	COVER RR HANDLE	53206-LCD3-E00	4				
10	PLUG COVER RR	53207-LCD3-E00	2				
11	FENDER FR	61100-LCD3-E00	2				
12	COVER FRONT	64301-LCD3-E00	1				
13	FR TOP	64303-LCD3-E00	2				
14	SKIRT R SIDE	64305-LCD3-E00	2				
15	SKIRT L SIDE	64306-LCD3-E00	2				
16	COWL UNDER	64400-LCD3-E00	2				
17	LEG SHIELD UP	81131-LCD3-E01	1				
18	LID INNER BOX	81132-LCD3-E00	1				
19	COVER R BODY	83500-LCD3-E00	1				
20	COVER L BODY	83600-LCD3-E00	1				
21	GRIP COMP THROT	53140-KGB5-900	0	N1R			
22	GRIP L HANDLE	53166-KGB5-900	0				
23	FLOOR PANEL	64310-LCD3-E00	2				
24	LEG SHIELD LOW	81141-LCD3-E00	1				
25	LID LEG SHIELD(VIN)	81142-KUDU-900	1				
DATE OF STARTING-SALES							
DATE OF END-SALES							

NO	MODEL			COLOR CHART OF BA10BC(GR)			
	PHOTO NO			NO. 13	NO. 14		
	BASIC COLOR			Red			
	CODE			Red			
	PARTS NAME	PARTS NO.	VERSION	RR123PA	RR123PA		
1	END HANDLE	53102-KEC8-900	0	F1S			
2	END R STRGHANDLE	53105-LBB5-E00	2				
3	COVER L SIDE	11341-KFA6-900	0	HJA			
4	MUFFLER ASSY EXH	1830A-LCD1-E01	6	HJS			
5	VISOR METER	6421A-LEJ8-E01	5	LMR			
6	LEVER R STRG HNDL	53175-KXBX-E10	3	M3A			
7	LEVER L STRG HANDLE	53178-LCD1-E00	1				
8	COVER FR HANDLE	53205-LCD3-E00	3	R6P			
9	COVER RR HANDLE	53206-LCD3-E00	4				
10	PLUG COVER RR	53207-LCD3-E00	2				
11	FENDER FR	61100-LCD3-E00	2				
12	COVER FRONT	64301-LCD3-E00	1				
13	FR TOP	64303-LCD3-E00	2				
14	SKIRT R SIDE	64305-LCD3-E00	2				
15	SKIRT L SIDE	64306-LCD3-E00	2				
16	COWL UNDER	64400-LCD3-E00	2				
17	LEG SHIELD UP	81131-LCD3-E01	1				
18	LID INNER BOX	81132-LCD3-E00	1				
19	COVER R BODY	83500-LCD3-E00	1				
20	COVER L BODY	83600-LCD3-E00	1				
21	GRIP COMP THROT	53140-KGB5-900	0				
22	GRIP L HANDLE	53166-KGB5-900	0				
23	FLOOR PANEL	64310-LCD3-E00	2				
24	LEG SHIELD LOW	81141-LCD3-E00	1				
25	LID LEG SHIELD(VIN)	81142-KUDU-900	1				
DATE OF STARTING-SALES							
DATE OF END-SALES							

NO	MODEL			COLOR CHART OF BA10BC(GR)					
	PHOTO NO			NO. 1	NO. 2	NO. 3	NO. 4		
	BASIC COLOR				Bright Blue		Light Blue Metallic		
	CODE				Bright Blue		Light Blue Metallic		
	PARTS NAME	PARTS NO.	VERSION	PB107MA	PB107MA	PB281MA	PB281MA		
26	COVER R SIDE	83520-LCD3-E00	1	N1R					
27	COVER L SIDE	83620-LCD3-E00	1						
28	GRILL FR COVER INNER	64313-LCD3-E00	2	NAR					
29	CALIPER ASSY FR LH	45200-LCD3-E00	4	NEA					
30	CUSHION ASSY RR	52400-LCD1-E00	1	NES					
31	WHEEL COMP RR CAST	42601-LCD3-E00	2	NJA					
32	WHEEL SET FR	44600-LCD3-305	2						
33	FORK ASSY RH FR	51400-LCD3-E00	5	NYA					
34	BOTTOM CASE R	51420-LCD3-E00	0						
35	FORK ASSY LH FR	51500-LCD3-E00	5						
36	BOTTOM CASE L	51520-LCD3-E00	0						
37	COVER R RR STEP	50712-LEJ8-E00	3	NYP					
38	COVER L RR STEP	50722-LEJ8-E00	3						
39	CARRIER RR	81200-LCD3-E00	2	T01					
40	SEAT ASSY	77200-LCD3-E00	2						
41	EMB K-LOGO 38MM	86102-LCD3-E00	3						
42	EMB BODY COVER	86202-LCD3-E10	3						
43	EMB MARK 50 2T	87140-LCD1-E00	1						
44	CAUTION ANTI	87224-LCD1-EZ0	1						
45	LABEL TIRE	87505-LCD1-E00	1						
46	CAUTION SIDE STAND	87541-GAR1-E00	1						
47	MARK MAINT CAUTION	87542-GAR1-E00	2						
48	MARK DRIVE CAUTION	87560-KNBN-E00	1						
DATE OF STARTING-SALES									
DATE OF END-SALES									



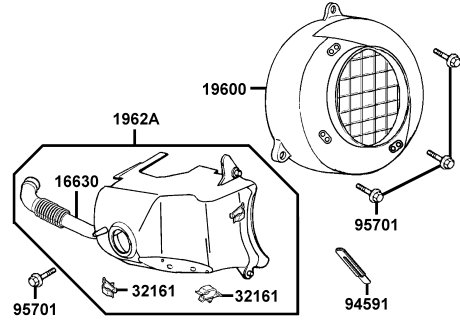
NO	MODEL			COLOR CHART OF BA10BC(GR)			
	PHOTO NO			NO. 5	NO. 6	NO. 7	NO. 8
	BASIC COLOR				Dark Gray Metallic	Black	
	CODE				Dark Gray Metallic	Black	
	PARTS NAME	PARTS NO.	VERSION	NH230MA	NH230MA	NH001SA	NH001SA
26	COVER R SIDE	83520-LCD3-E00	1	N1R			
27	COVER L SIDE	83620-LCD3-E00	1				
28	GRILL FR COVER INNER	64313-LCD3-E00	2	NAR			
29	CALIPER ASSY FR LH	45200-LCD3-E00	4	NEA			
30	CUSHION ASSY RR	52400-LCD1-E00	1	NES			
31	WHEEL COMP RR CAST	42601-LCD3-E00	2	NJA			
32	WHEEL SET FR	44600-LCD3-305	2				
33	FORK ASSY RH FR	51400-LCD3-E00	5	NYA			
34	BOTTOM CASE R	51420-LCD3-E00	0				
35	FORK ASSY LH FR	51500-LCD3-E00	5				
36	BOTTOM CASE L	51520-LCD3-E00	0				
37	COVER R RR STEP	50712-LEJ8-E00	3	NYP			
38	COVER L RR STEP	50722-LEJ8-E00	3				
39	CARRIER RR	81200-LCD3-E00	2	T01			
40	SEAT ASSY	77200-LCD3-E00	2				
41	EMB K-LOGO 38MM	86102-LCD3-E00	3				
42	EMB BODY COVER	86202-LCD3-E10	3				
43	EMB MARK 50 2T	87140-LCD1-E00	1				
44	CAUTION ANTI	87224-LCD1-EZ0	1				
45	LABEL TIRE	87505-LCD1-E00	1				
46	CAUTION SIDE STAND	87541-GAR1-E00	1				
47	MARK MAINT CAUTION	87542-GAR1-E00	2				
48	MARK DRIVE CAUTION	87560-KNBN-E00	1				
DATE OF STARTING-SALES							
DATE OF END-SALES							

NO	MODEL			COLOR CHART OF BA10BC(GR)			
	PHOTO NO			NO. 9	NO. 10	NO. 11	NO. 12
	BASIC COLOR				Bright Silver	Pearly White	
	CODE				Bright Silver	Pearly White	
	PARTS NAME	PARTS NO.	VERSION	NH045MA	NH045MA	NH193PA	NH193PA
26	COVER R SIDE	83520-LCD3-E00	1	N1R			
27	COVER L SIDE	83620-LCD3-E00	1				
28	GRILL FR COVER INNER	64313-LCD3-E00	2	NAR			
29	CALIPER ASSY FR LH	45200-LCD3-E00	4	NEA			
30	CUSHION ASSY RR	52400-LCD1-E00	1	NES			
31	WHEEL COMP RR CAST	42601-LCD3-E00	2	NJA			
32	WHEEL SET FR	44600-LCD3-305	2				
33	FORK ASSY RH FR	51400-LCD3-E00	5	NYA			
34	BOTTOM CASE R	51420-LCD3-E00	0				
35	FORK ASSY LH FR	51500-LCD3-E00	5				
36	BOTTOM CASE L	51520-LCD3-E00	0	NYP			
37	COVER R RR STEP	50712-LEJ8-E00	3				
38	COVER L RR STEP	50722-LEJ8-E00	3				
39	CARRIER RR	81200-LCD3-E00	2	T01			
40	SEAT ASSY	77200-LCD3-E00	2				
41	EMB K-LOGO 38MM	86102-LCD3-E00	3				
42	EMB BODY COVER	86202-LCD3-E10	3				
43	EMB MARK 50 2T	87140-LCD1-E00	1				
44	CAUTION ANTI	87224-LCD1-EZ0	1				
45	LABEL TIRE	87505-LCD1-E00	1				
46	CAUTION SIDE STAND	87541-GAR1-E00	1				
47	MARK MAINT CAUTION	87542-GAR1-E00	2				
48	MARK DRIVE CAUTION	87560-KNBN-E00	1				
DATE OF STARTING-SALES							
DATE OF END-SALES							

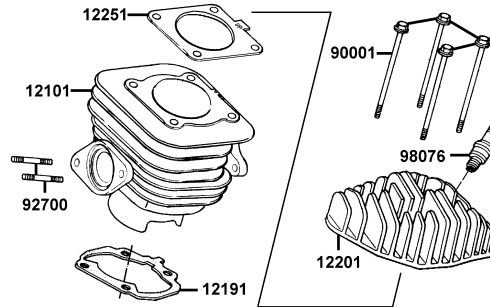
NO	MODEL			COLOR CHART OF BA10BC(GR)			
	PHOTO NO			NO. 13	NO. 14		
	BASIC COLOR			Red			
	CODE			Red			
	PARTS NAME	PARTS NO.	VERSION	RR123PA	RR123PA		
26	COVER R SIDE	83520-LCD3-E00	1	N1R			
27	COVER L SIDE	83620-LCD3-E00	1				
28	GRILL FR COVER INNER	64313-LCD3-E00	2	NAR			
29	CALIPER ASSY FR LH	45200-LCD3-E00	4	NEA			
30	CUSHION ASSY RR	52400-LCD1-E00	1	NES			
31	WHEEL COMP RR CAST	42601-LCD3-E00	2	NJA			
32	WHEEL SET FR	44600-LCD3-305	2				
33	FORK ASSY RH FR	51400-LCD3-E00	5	NYA			
34	BOTTOM CASE R	51420-LCD3-E00	0				
35	FORK ASSY LH FR	51500-LCD3-E00	5				
36	BOTTOM CASE L	51520-LCD3-E00	0	NYP			
37	COVER R RR STEP	50712-LEJ8-E00	3				
38	COVER L RR STEP	50722-LEJ8-E00	3				
39	CARRIER RR	81200-LCD3-E00	2	T01			
40	SEAT ASSY	77200-LCD3-E00	2				
41	EMB K-LOGO 38MM	86102-LCD3-E00	3				
42	EMB BODY COVER	86202-LCD3-E10	3				
43	EMB MARK 50 2T	87140-LCD1-E00	1				
44	CAUTION ANTI	87224-LCD1-EZ0	1				
45	LABEL TIRE	87505-LCD1-E00	1				
46	CAUTION SIDE STAND	87541-GAR1-E00	1				
47	MARK MAINT CAUTION	87542-GAR1-E00	2				
48	MARK DRIVE CAUTION	87560-KNBN-E00	1				
DATE OF STARTING-SALES							
DATE OF END-SALES							

## CONTENTS - ENGINE GROUP

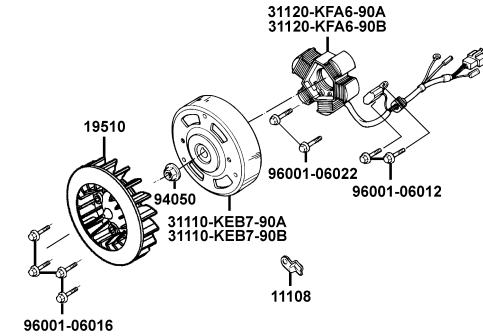
**E01 Fan CoverShroud**



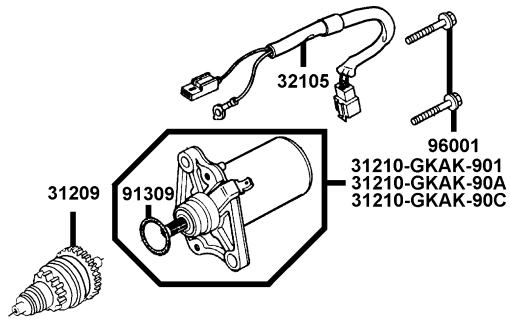
**E02 Cylinder HeadCylinder**



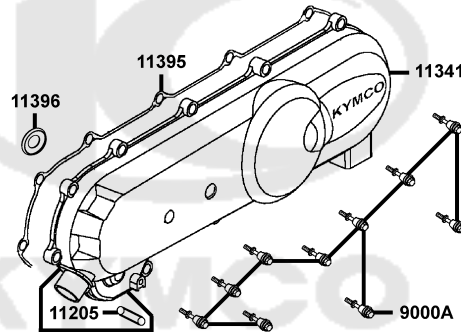
**E03 Generator**



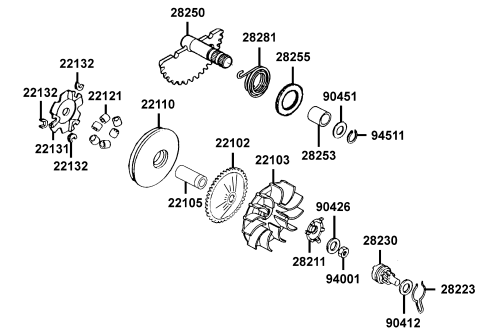
**E04 Starting Motor**



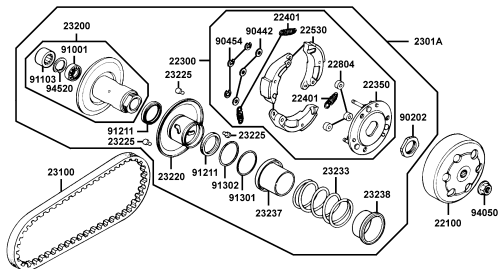
**E05 COVER L SIDE**



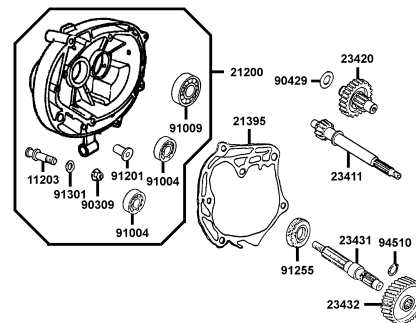
**E06 DRIVE FACE**



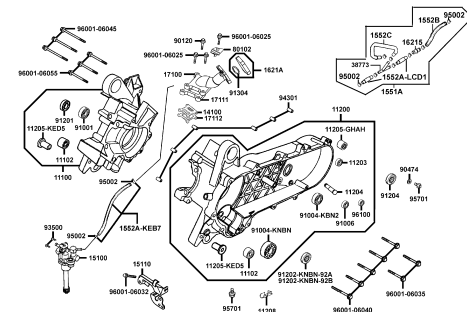
**E07 Driven Pulley**



**E08 Transmission**

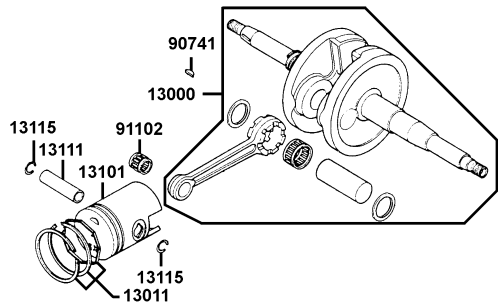


**E09 CrankcaseOIL PUMP**

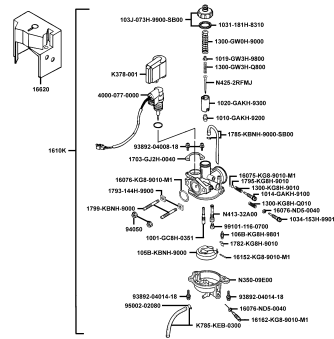


## CONTENTS - ENGINE GROUP

**E10** CrankshaftPiston

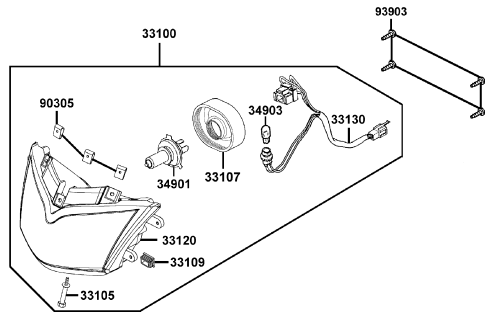


**E11** Carburetor

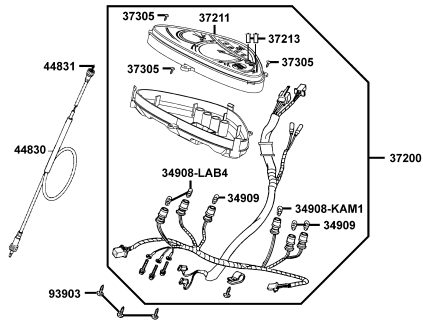


# CONTENTS - FRAME GROUP

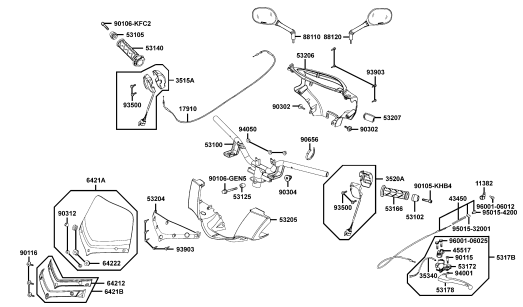
**F01** Head Light



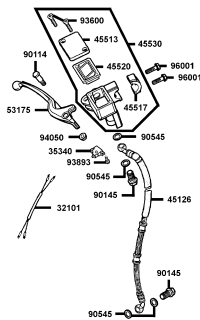
**F02** Head Light



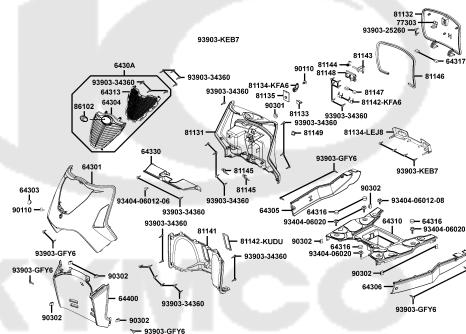
**F03** Speedometer



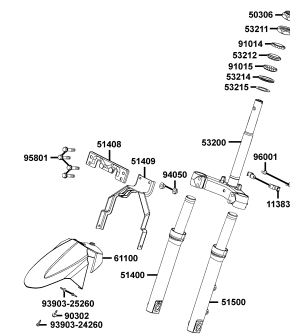
**F04** Brake Master Cylinder



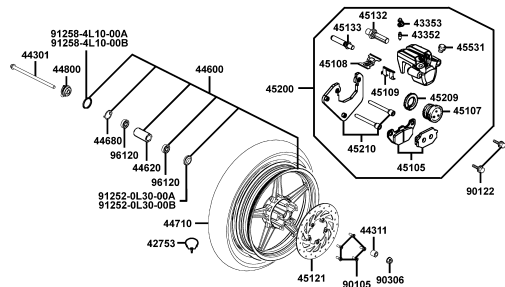
**F05** Front Cover/Floor Panel



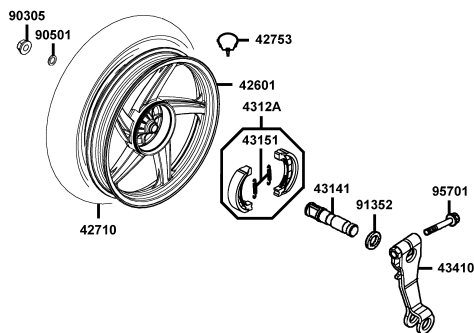
**F06** Front Cushion



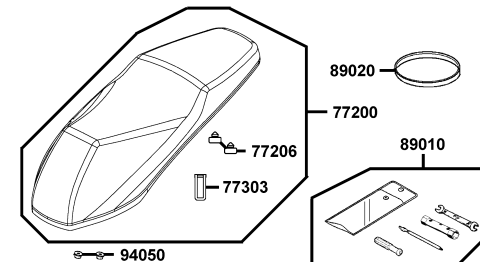
**F07** Front Wheel



**F08** Rear Wheel

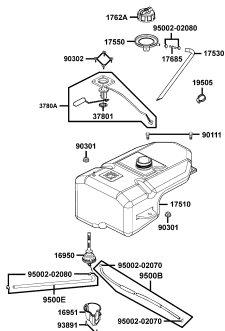


**F09** Seat

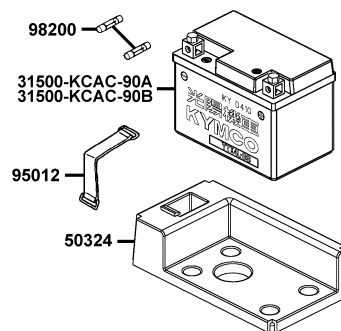


## CONTENTS - FRAME GROUP

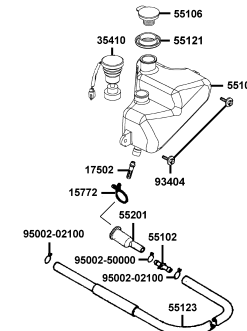
**F10 Fuel Tank**



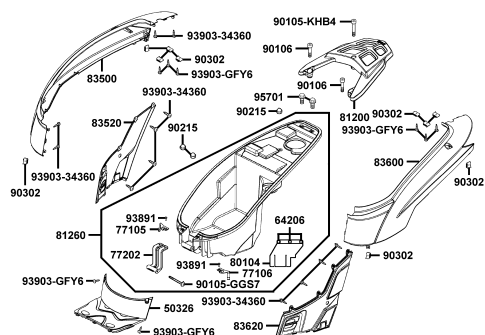
**F11 Battery**



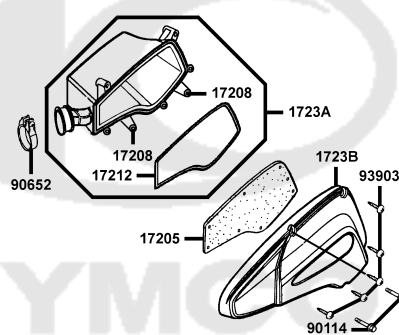
**F12 OIL TANK**



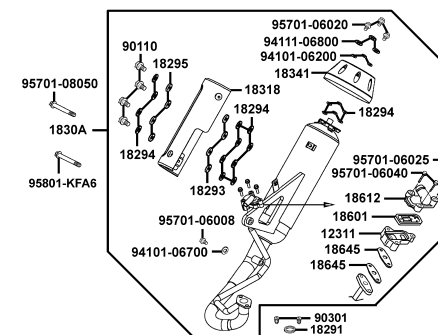
**F13 Body Cover Luggage Box**



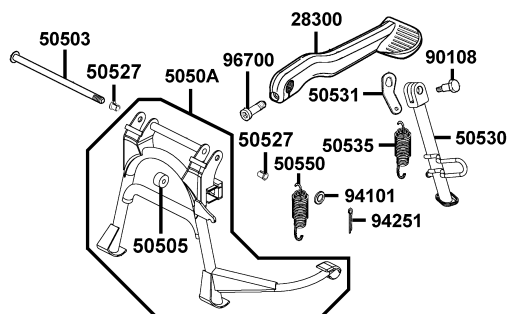
**F14 Air Cleaner**



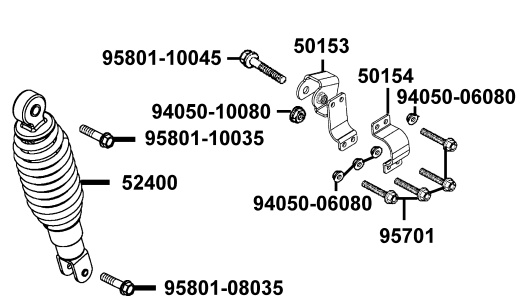
**F15 Exhaust Muffler**



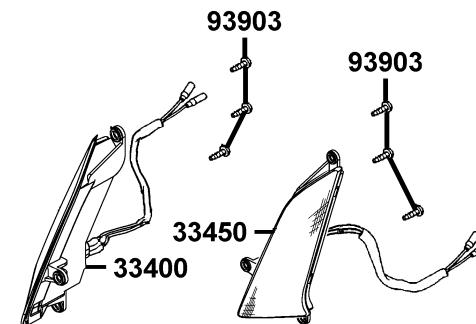
**F16 Stand Kick Starter Arm**



**F17 Rear Cushion**

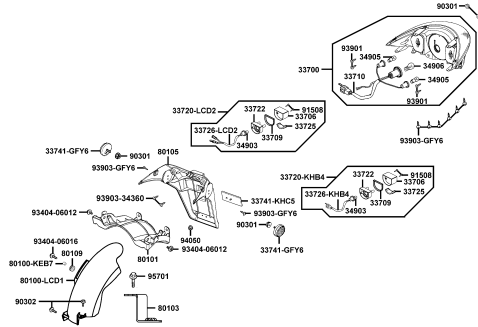


**F18 Winker**

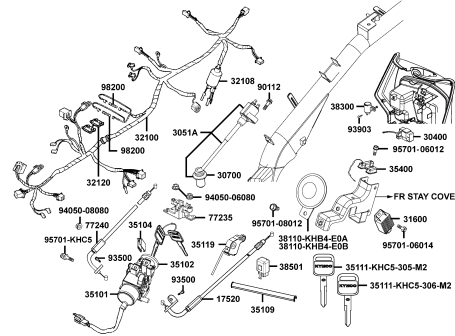


# CONTENTS - FRAME GROUP

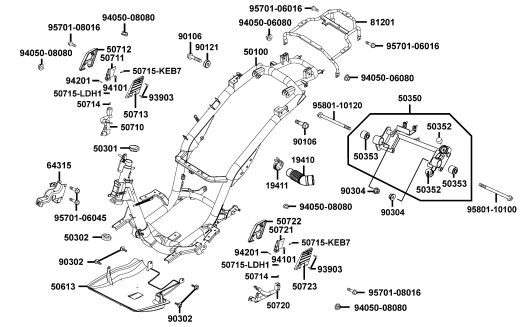
## F19 Rear LightRear Fender



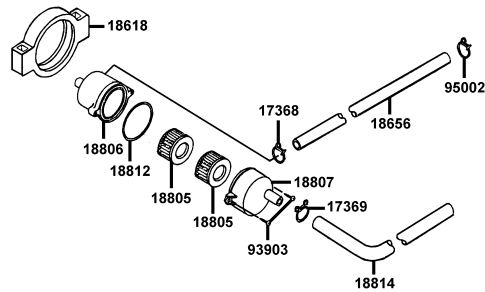
## F20 Wire Harness



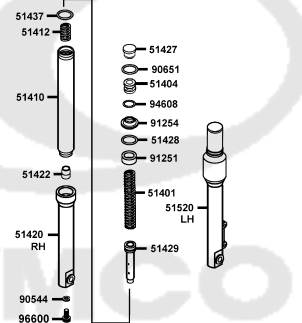
## F21 Frame Body



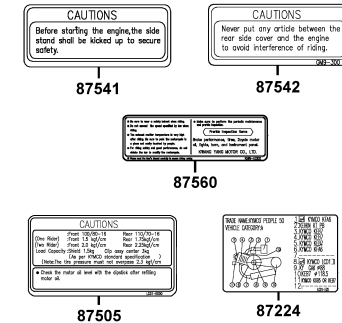
## F22 AIR CLEANER TWO



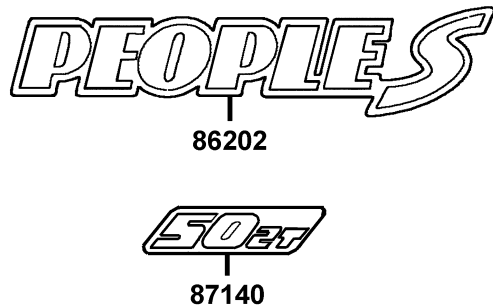
## F23 Separated Parts Of Fr Fork



## F24 Caution Label



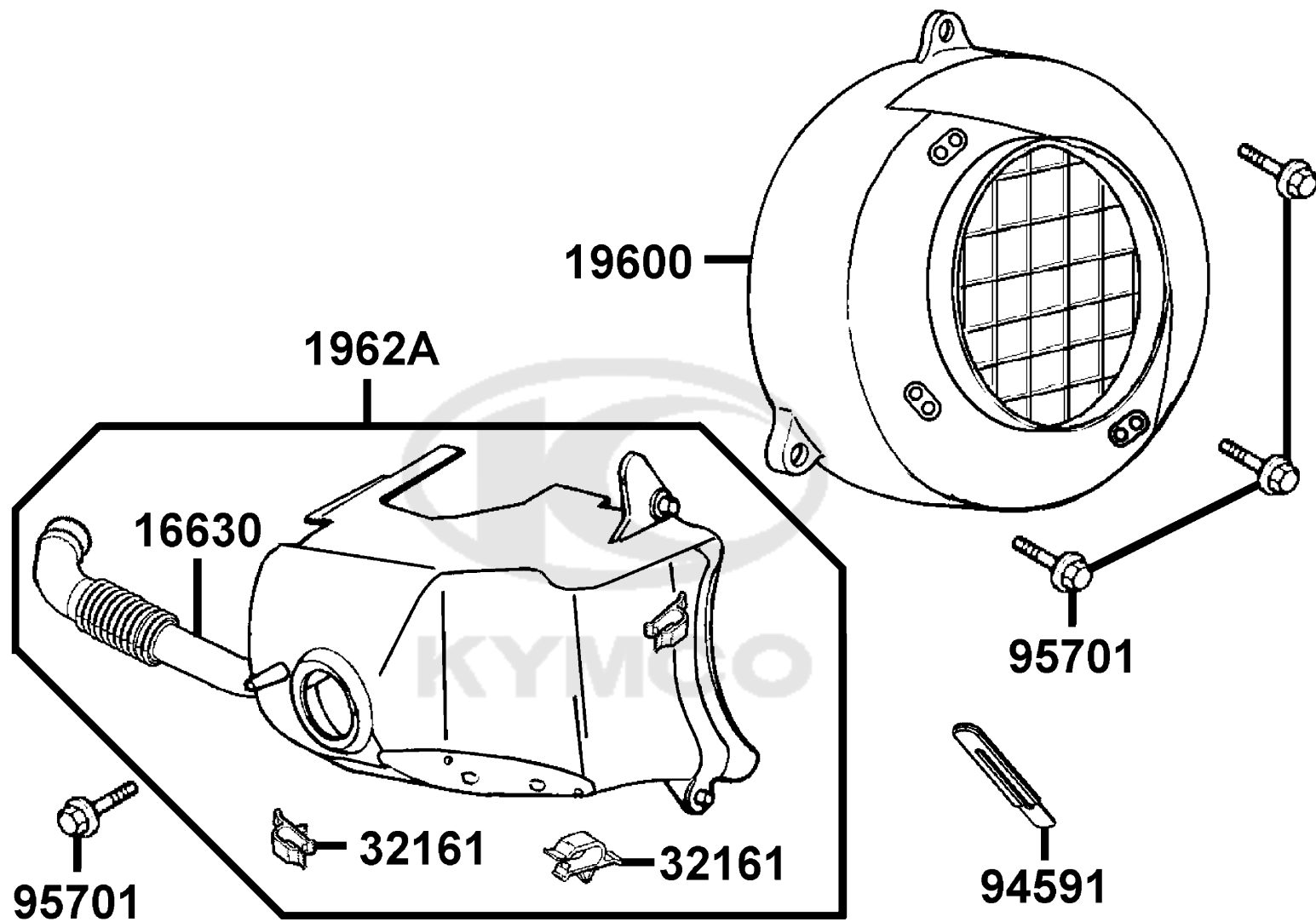
## F25 EmblemStripe





E01

Fan CoverShroud

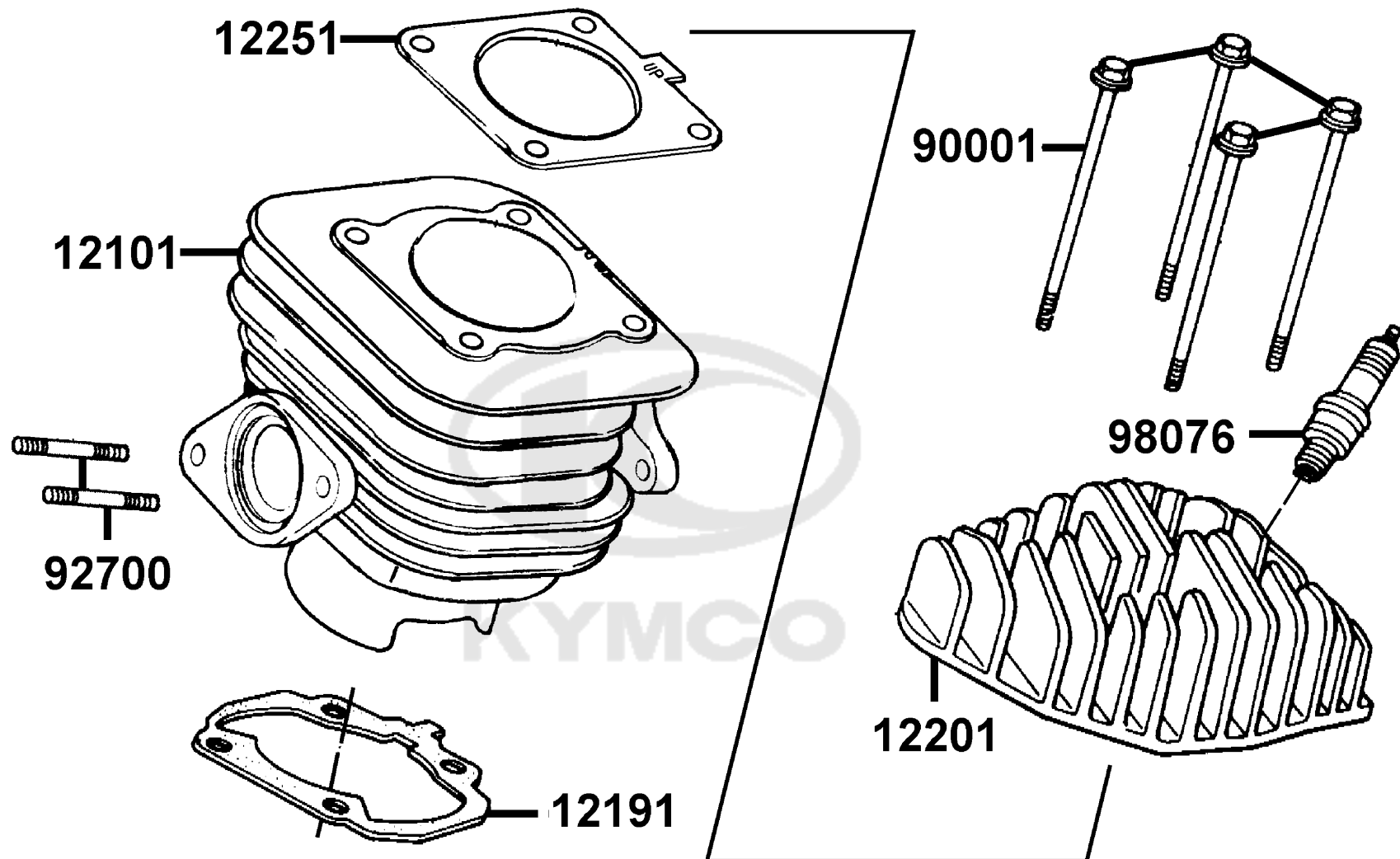


Sales mark	Ref no	Part no	Description	Reg description	Regd no	<b>E01</b>
16630		16630-KEB7-E00	DUCT HEAT TRANSFER	DUCT HEAT TRANSFER	1	
19600		19600-KEB7-900	COVER COMP FAN	COVER COMP FAN	1	
1962A		1962A-KEB7-E00	CLIP SET SHROUD	CLIP SET SHROUD	1	
32161		32161-3C93-004	CLIP HARNESS WIRE	CLIP HARNESS WIRE	2	
94591		94591-KFBF-900	CLIP 2*70	CLIP 2*70	1	
95701		95701-06025-08	BOLT FLANGE 6*25	BOLT FLANGE 6*25	4	

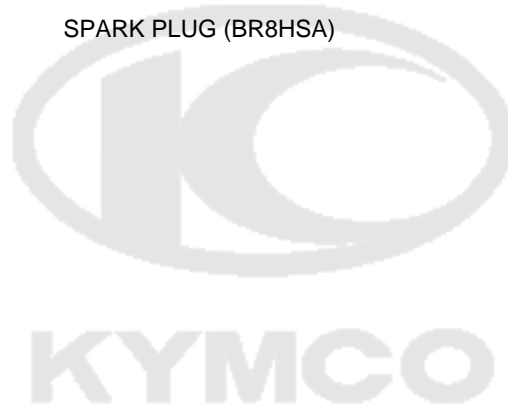


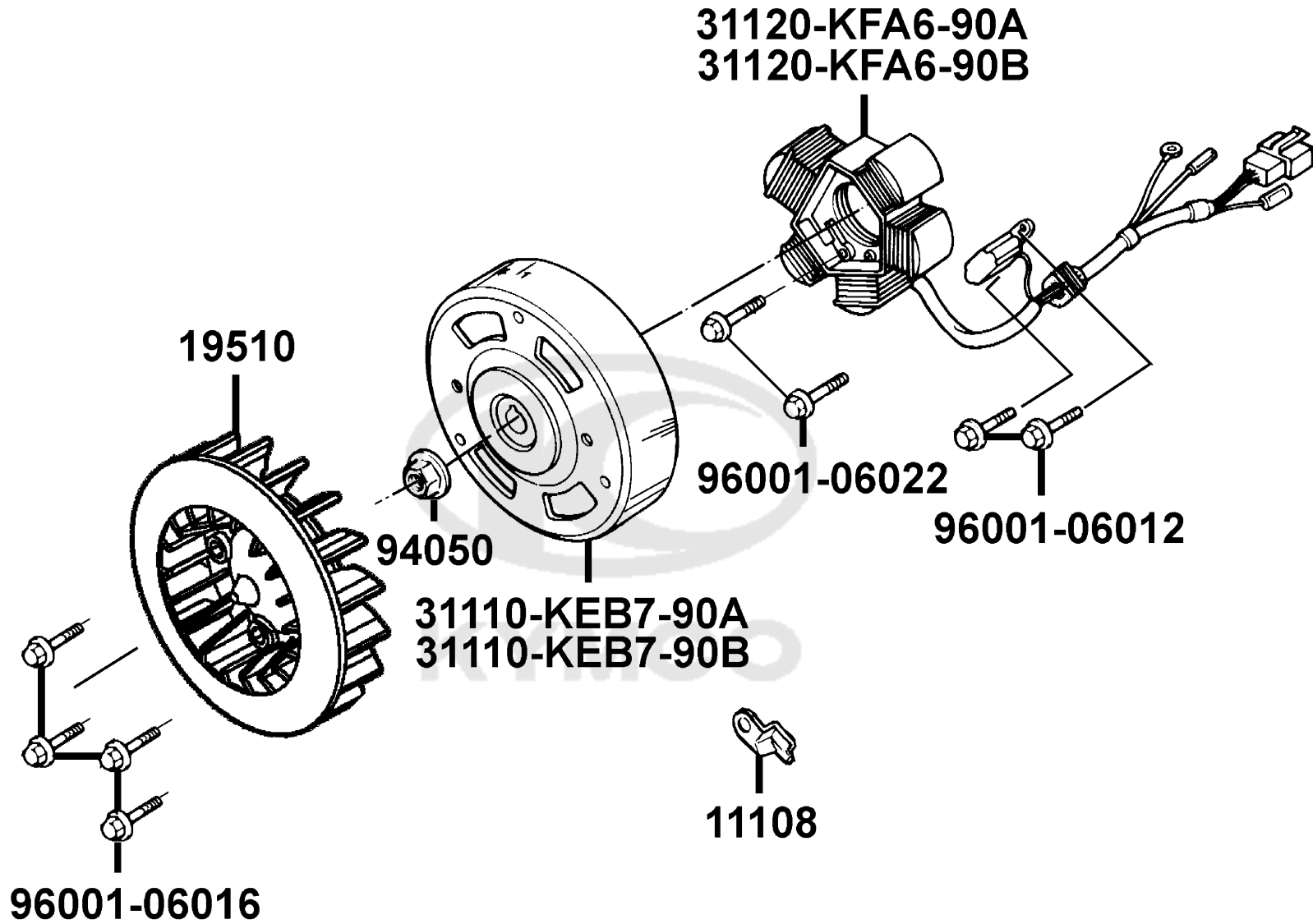
E02

Cylinder HeadCylinder

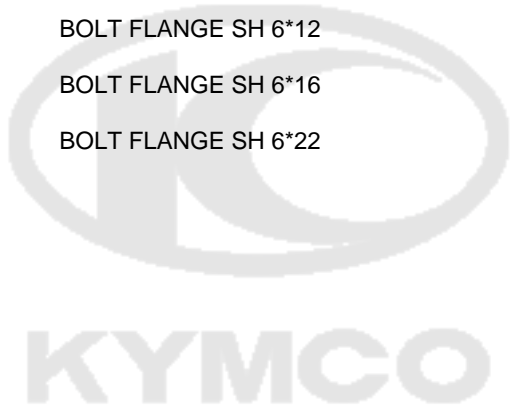


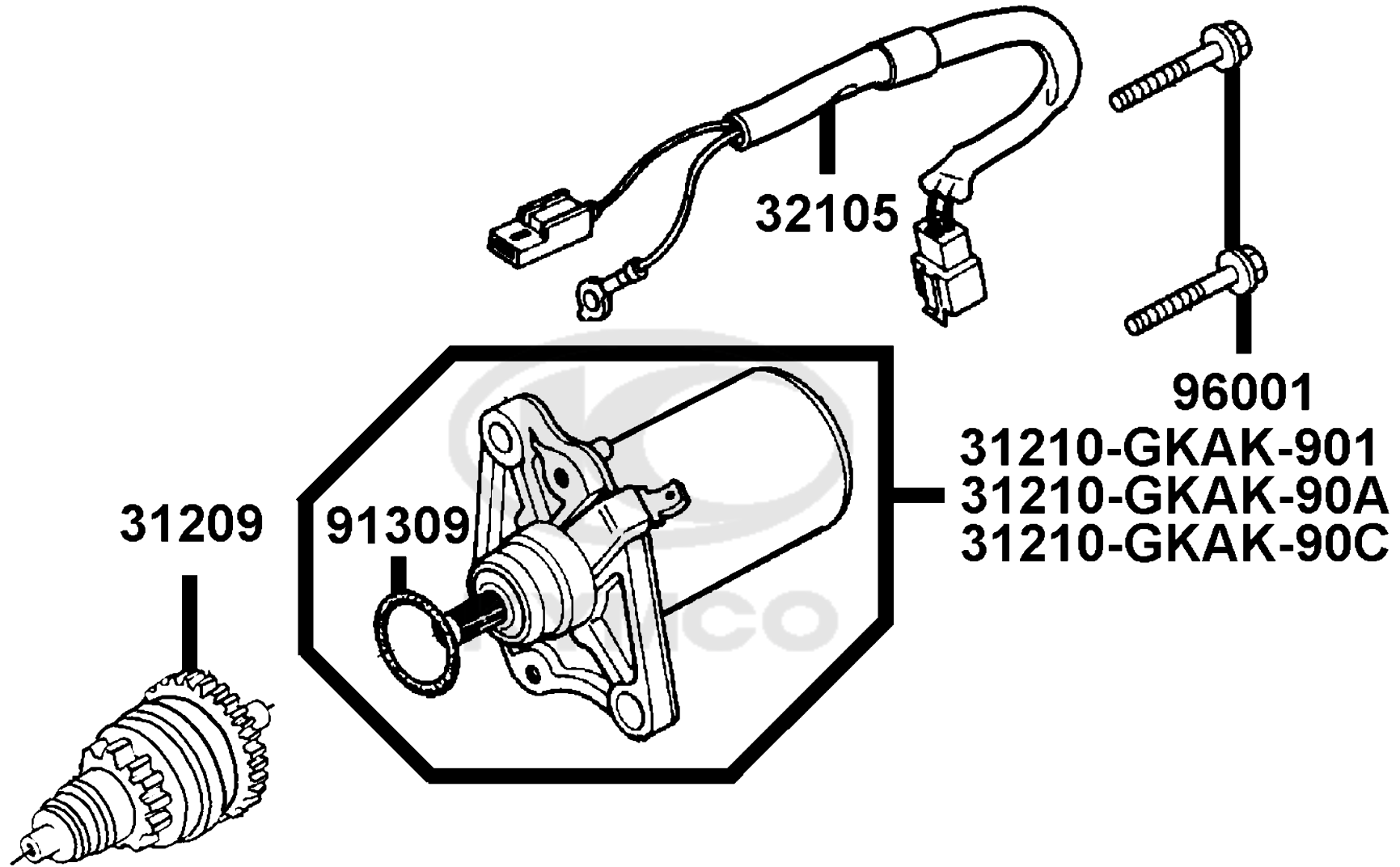
Sales mark	Ref no	Part no	Description	Reg description	Regd no	<b>E02</b>
12101		12101-KEB7-901	CYLINDER	CYLINDER	1	
12191		12191-KEB7-900	GASKET CYLINDER	GASKET CYLINDER	1	
12191		12191-KEB7-980	GASKET CYLINDER @A	GASKET CYLINDER @A	1	
12201		12201-KEB7-900	HEAD CYLINDER	HEAD CYLINDER	1	
12251		12251-KEB7-900	GASKET CYLINDER HEAD	GASKET CYLINDER HEAD	1	
90001		90001-GKAK-901	BOLT FLANGE 7*100	BOLT FLANGE 7*100	4	
92700		92700-06028-1B	BOLT STUD 6*28	BOLT STUD 6*28	2	
98076		98076-5871G-00	SPARK PLUG (BR8HSA)	SPARK PLUG (BR8HSA)	1	





Sales mark	Ref no	Part no	Description	Reg description	Regd no	<b>E03</b>
11108		11108-KEB7-900	HOLDER STATOR WIRE	HOLDER STATOR WIRE	1	
19510		19510-GBW2-901	FAN COMP COOLING	FAN COMP COOLING	1	
31110-KEB7-90A		31110-KEB7-90A	FLYWHEEL COMP /D402	FLYWHEEL COMP /D402	1	
31110-KEB7-90B		31110-KEB7-90B	FLYWHEEL COMP /D406	FLYWHEEL COMP /D406	1	
31120-KFA6-90A		31120-KFA6-90A	STATOR COMP /D402	STATOR COMP /D402	1	
31120-KFA6-90B		31120-KFA6-90B	STATOR COMP /D406	STATOR COMP /D406	1	
94050		94050-10080	NUT FLANGE 10MM	NUT FLANGE 10MM	1	
96001-06012		96001-06012-08	BOLT FLANGE SH 6*12	BOLT FLANGE SH 6*12	2	
96001-06016		96001-06016-08	BOLT FLANGE SH 6*16	BOLT FLANGE SH 6*16	4	
96001-06022		96001-06022-08	BOLT FLANGE SH 6*22	BOLT FLANGE SH 6*22	2	

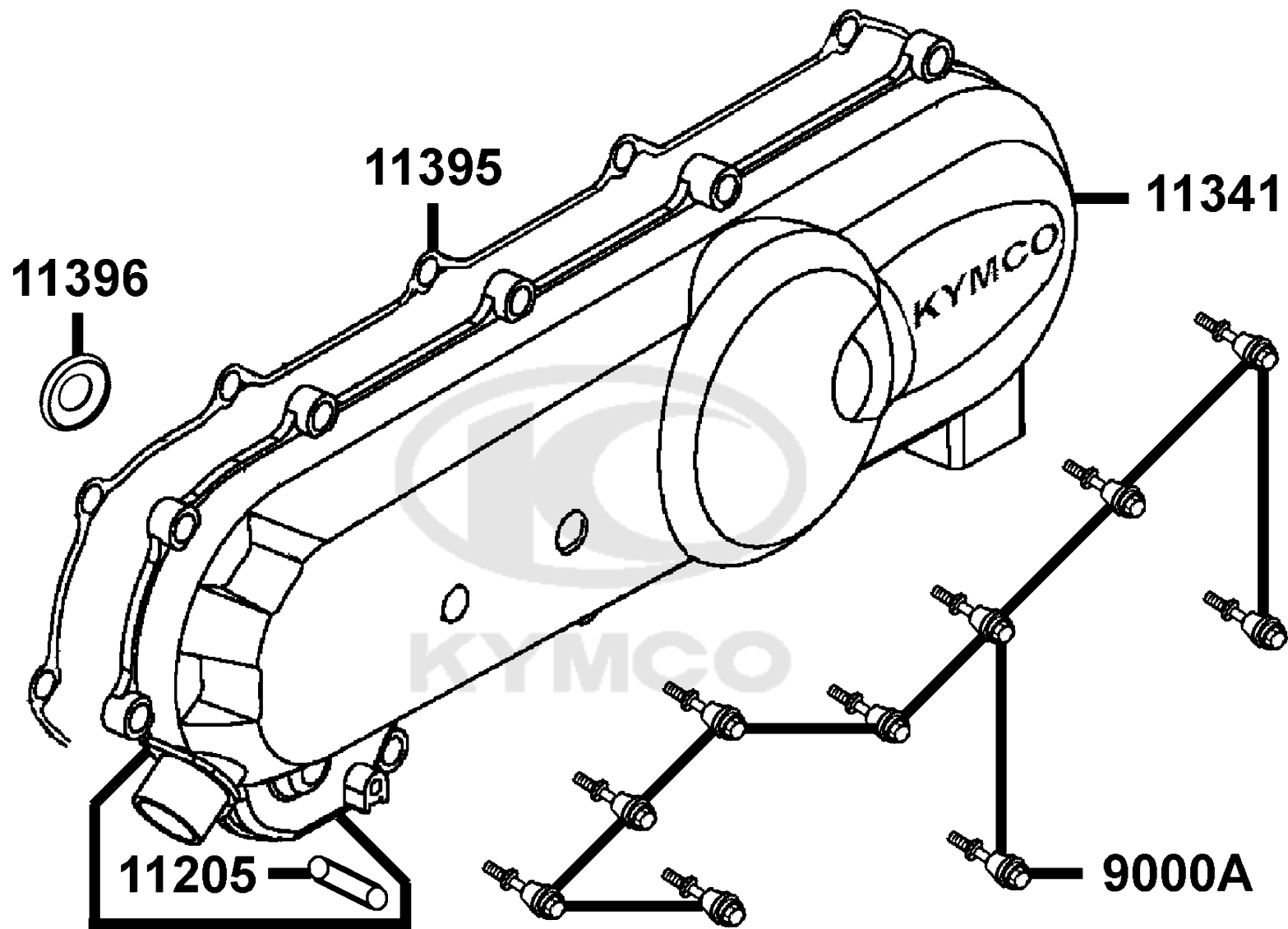




Sales mark	Ref no	Part no	Description	Reg description	Regd no	<b>E04</b>
	31209	31209-GKAK-901	PINION ASSY STARTER	PINION ASSY STARTER	1	
	31210-GKAK-901	31210-GKAK-901	MOTOR UNIT START	MOTOR UNIT START	1	
	31210-GKAK-90A	31210-GKAK-90A	MOTOR UNIT START	MOTOR UNIT START	1	
	31210-GKAK-90C	31210-GKAK-90C	MOTOR UNIT START	MOTOR UNIT START	1	
	32105	32105-KFA6-900	SUB HARNESS	SUB HARNESS	1	
	91309	91309-GKAK-901	O RING	O RING	1	
	96001	96001-06025-08	BOLT FLANGE SH 6*25	BOLT FLANGE SH 6*25	2	



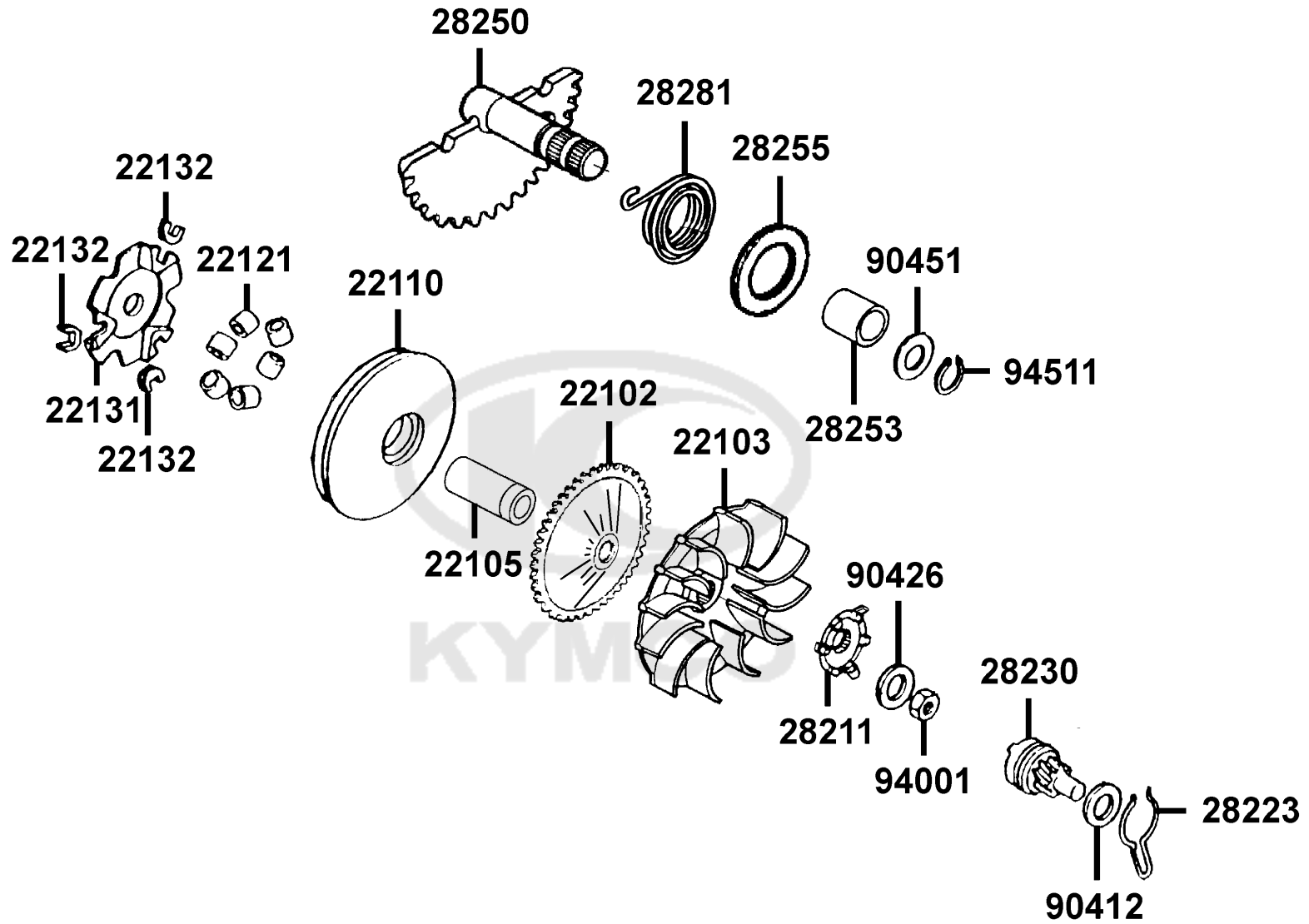




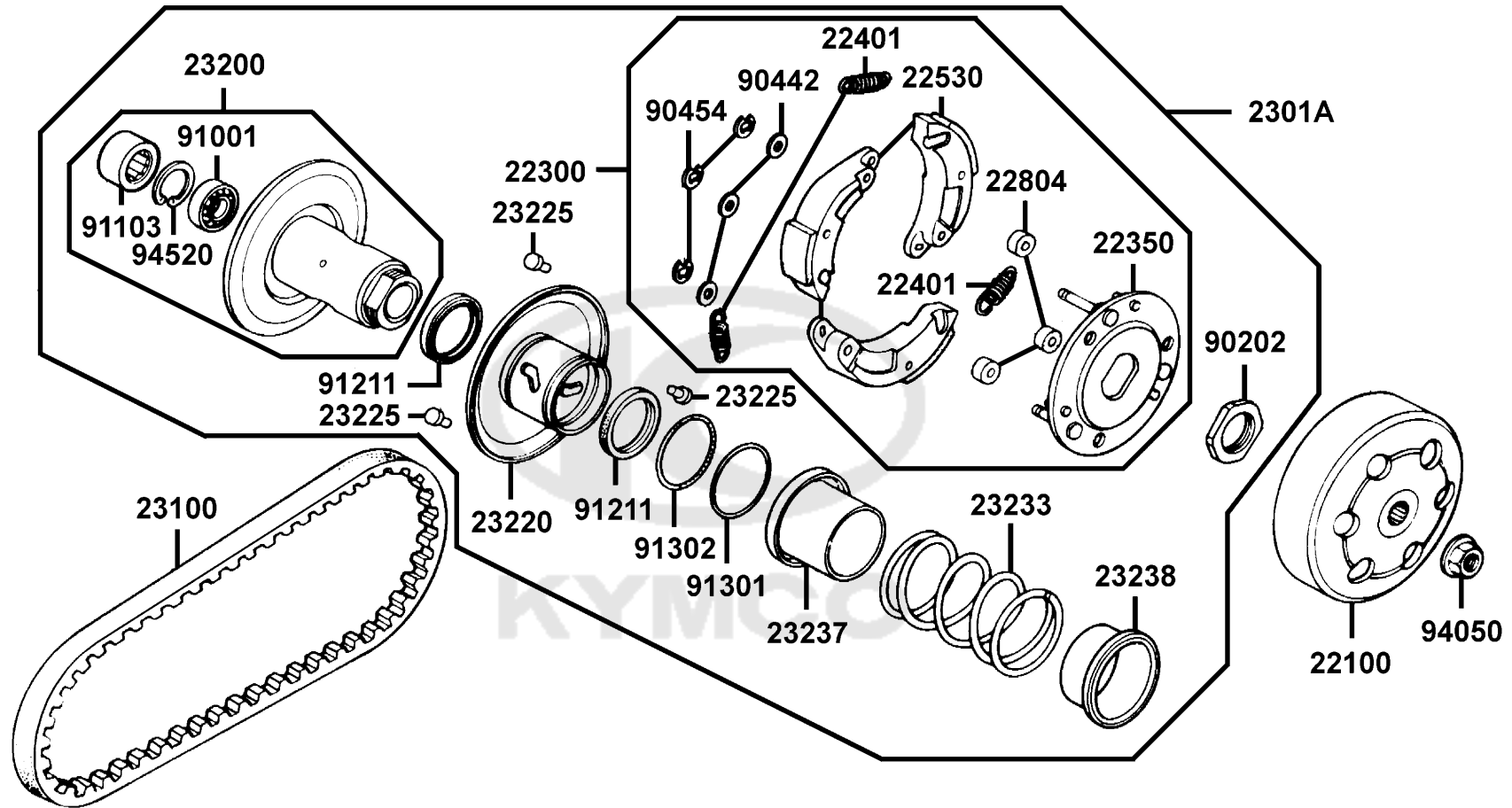
Sales mark	Ref no	Part no	Description	Reg description	Regd no	<b>E05</b>
------------	--------	---------	-------------	-----------------	---------	------------

	11205	11205-GHAH-004	BUSH 8*12*8	BUSH 8*12*8	1	
**	11341	11341-KFA6-900	COVER L SIDE	COVER L SIDE	1	
	11395	11395-KFA6-900	GASKET L COVER	GASKET L COVER	1	
	11396	11396-KFA6-900	GASKET L COVER	GASKET L COVER	1	
	9000A	9000A-KTDT-900	BOLT ASSY SPECIAL 6*29.5	BOLT ASSY SPECIAL 6*29.5	10	

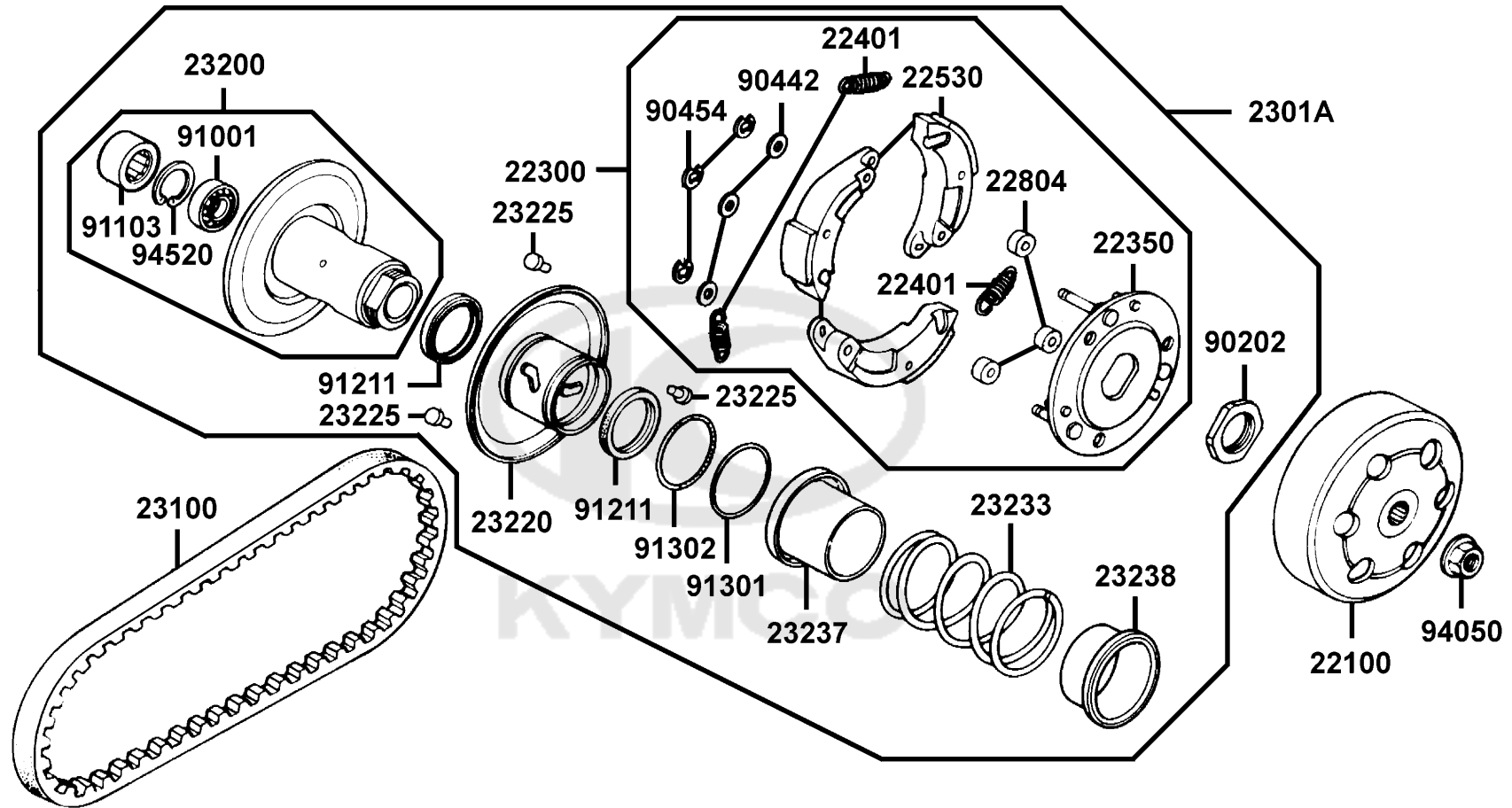




Sales mark	Ref no	Part no	Description	Reg description	Regd no	<b>E06</b>
22102		22102-KEB7-900	FACE DRIVE	FACE DRIVE	1	
22103		22103-KEB7-900	FAN CVT COOLING	FAN CVT COOLING	1	
22105		22105-KEB7-E00	BOSS DRIVE FACE	BOSS DRIVE FACE	1	
22110		22110-KFA1-220	FACE COMP MOVABLE DRIVE	FACE COMP MOVABLE DRIVE	1	
22121		22121-GLW0-901	ROLLER COMP WEIGHT 7.5 gr	ROLLER COMP WEIGHT 7.5 gr	6	
22131		22131-GHAH-781	PLATE RAMP	PLATE RAMP	1	
22132		22132-GLW0-001	PIECE SLIDE	PIECE SLIDE	3	
28211		28211-KEB7-900	RATCHET KICK STARTER	RATCHET KICK STARTER	1	
28223		28223-KNBN-901	SPG KICK DRIVEN GEAR	SPG KICK DRIVEN GEAR	1	
28230		28230-GKAK-921	GEAR COMP KICK DRIVEN	GEAR COMP KICK DRIVEN	1	
28250		28250-KCCC-900	SPINDLE COMP KICK STARTER	SPINDLE COMP KICK STARTER	1	
28253		28253-GBN2-60A	BUSH KICK SPINDLE	BUSH KICK SPINDLE	1	
28255		28255-GFS6-001	COLLAR KICK BOSS	COLLAR KICK BOSS	1	
28281		28281-GBN2-60A	SPRING KICK RETURN	SPRING KICK RETURN	1	
90412		90412-3K29-001	WASHER THRUST 10MM	WASHER THRUST 10MM	1	
90426		90426-KNBN-901	WASHER SPECIAL 12MM	WASHER SPECIAL 12MM	1	
90451		90451-GBN2-601	WASHER KICK SPINDLE	WASHER KICK SPINDLE	1	
94001		94001-12280-0S	NUT HEX 12MM	NUT HEX 12MM	1	
94511		94511-14000	CIR CLIP EX 14	CIR CLIP EX 14	1	



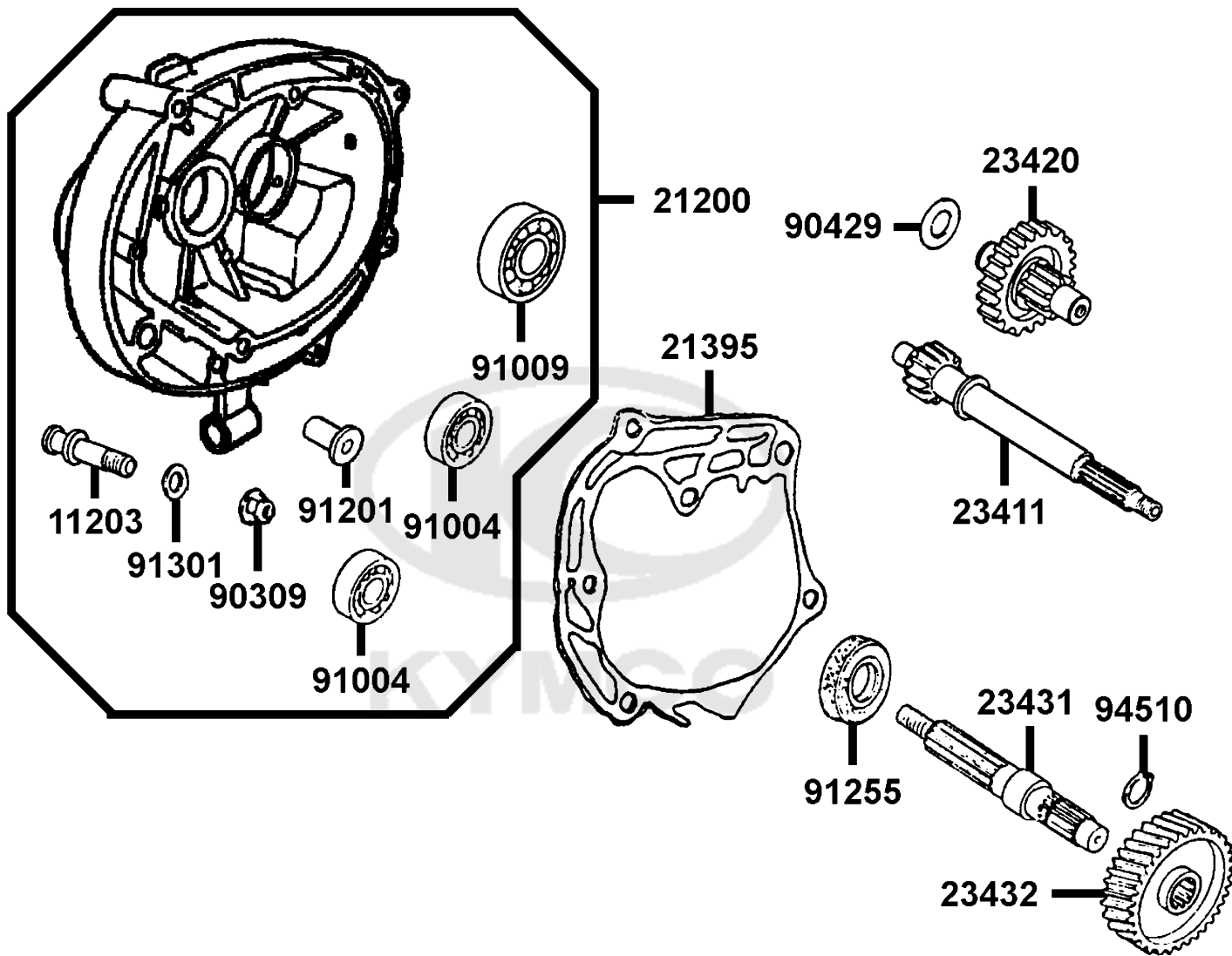
Sales mark	Ref no	Part no	Description	Reg description	Regd no	E07
	22100	22100-GAR1-751	CLUTCH OUTER	CLUTCH OUTER	1	
	22300	22300-KXCX-900	PLATE ASSY DRIVE	PLATE ASSY DRIVE	1	
	22350	22350-GKAK-930	PLATE COMP DRIVE	PLATE COMP DRIVE	1	
	22401	22401-GBG2-900	SPRING CLUTCH	SPRING CLUTCH	3	
	22530	22530-GKAK-930	WEIGHT CLUTCH	WEIGHT CLUTCH	3	
	22804	22804-1H48-001	RUBBER CLUTCH DUMRER	RUBBER CLUTCH DUMRER	3	
	2301A	2301A-KEB7-220	PULLEY SUB ASSY	PULLEY SUB ASSY	1	
	23100	23100-KEB7-900	BELT DRIVE	BELT DRIVE	1	
	23200	23200-GAR1-220	FACE ASSY DRIVEN	FACE ASSY DRIVEN	1	
	23220	23220-GKAK-220	FACE COMP MOVABLE DRIVEN	FACE COMP MOVABLE DRIVEN	1	
	23225	23225-GAR1-751	PIN GUIDE	PIN GUIDE	3	
	23233	23233-GHE8-001	SPG DRIVEN FACE	SPG DRIVEN FACE	1	
	23237	23237-GAR1-220	COLLAR SEAL	COLLAR SEAL	1	
	23238	23238-GFY6-941	COLLAR SPRING	COLLAR SPRING	1	
	90202	90202-1G87-001	NUT SPECIAL 28MM	NUT SPECIAL 28MM	1	
	90442	90442-0D44-001	WASHER THRUST	WASHER THRUST	3	
	90454	90454-GBB2-001	CIR CLIP 6MM	CIR CLIP 6MM	3	
	91001	91001-GGA7-70A	BRG BALL RADIAL 6901U 12*24*6	BRG BALL RADIAL 6901U 12*24*6	1	
	91103	91103-GAR1-004	BRG NEEDLE 17*25*18	BRG NEEDLE 17*25*18	1	
	91211	91211-GHK8-014	OIL SEAL 34*39*3	OIL SEAL 34*39*3	2	



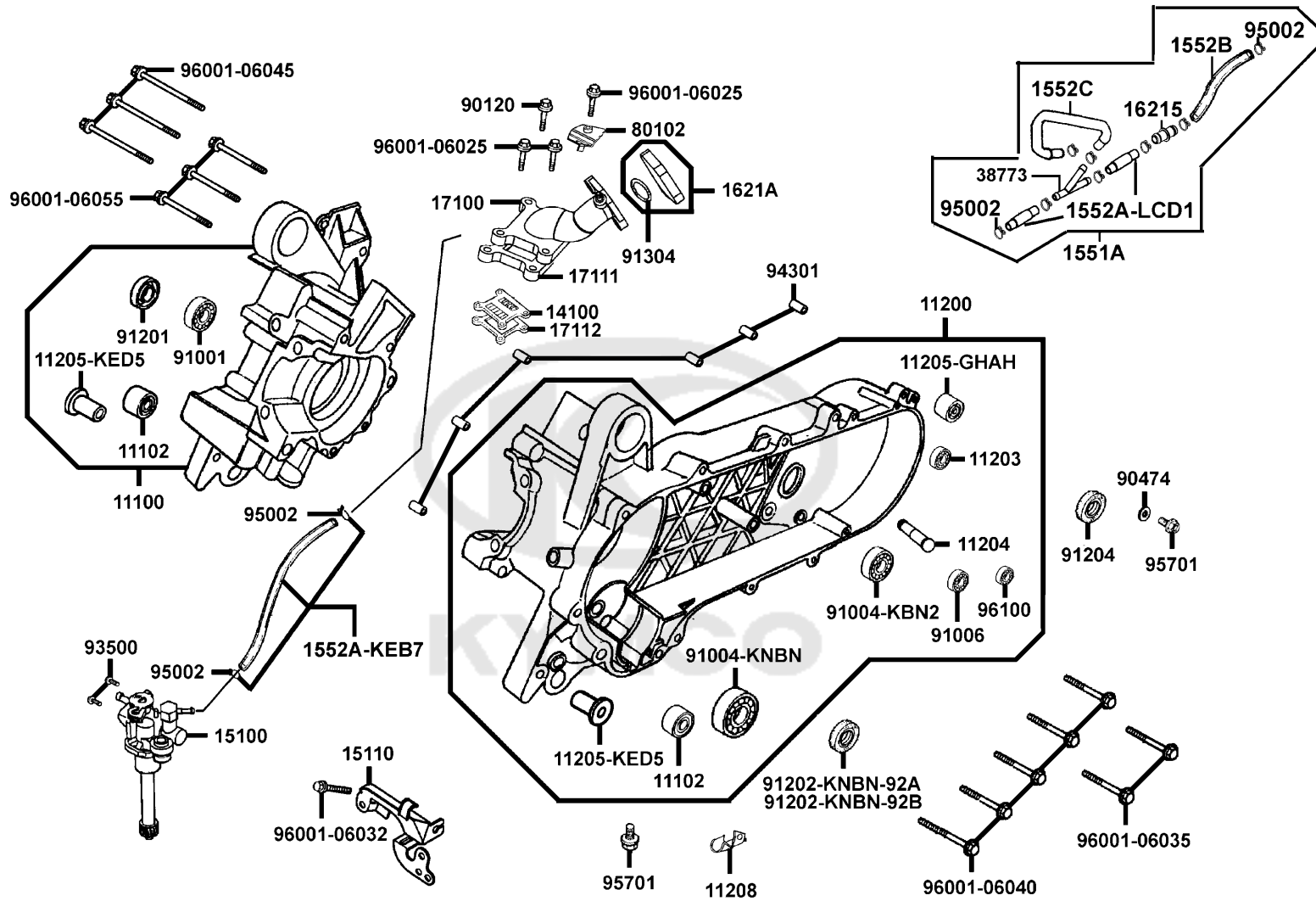
Sales mark	Ref no	Part no	Description	Reg description	Regd no	<b>E07</b>
91301		91301-KEA5-742	O-RING 36*1.5	O-RING 36*1.5	1	
91302		91302-PKA9-004	O-RING 39.8*2.2	O-RING 39.8*2.2	1	
94050		94050-10080	NUT FLANGE 10MM	NUT FLANGE 10MM	1	
94520		94520-24000	CIR CLIP INTERAL 28	CIR CLIP INTERAL 28	1	



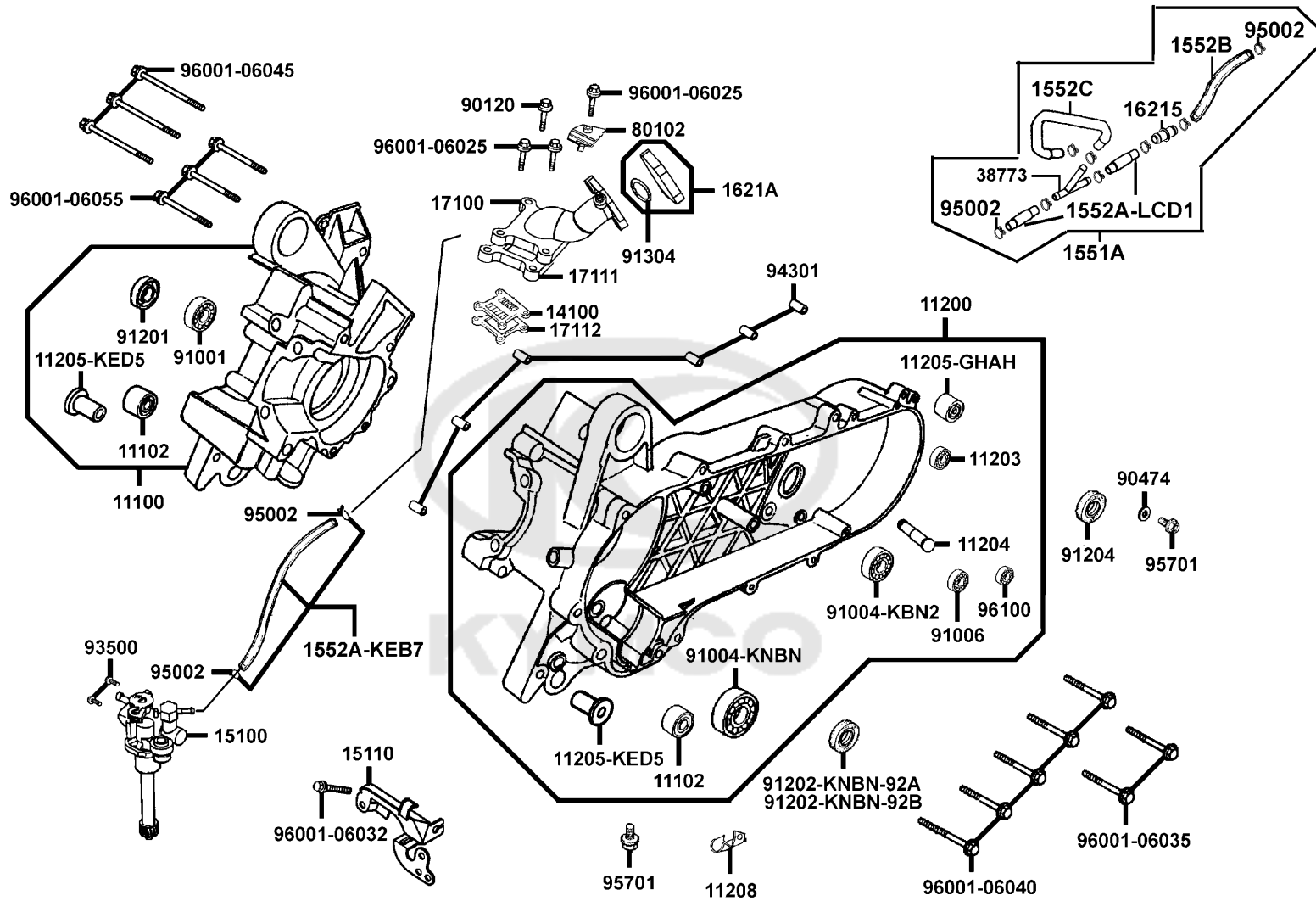




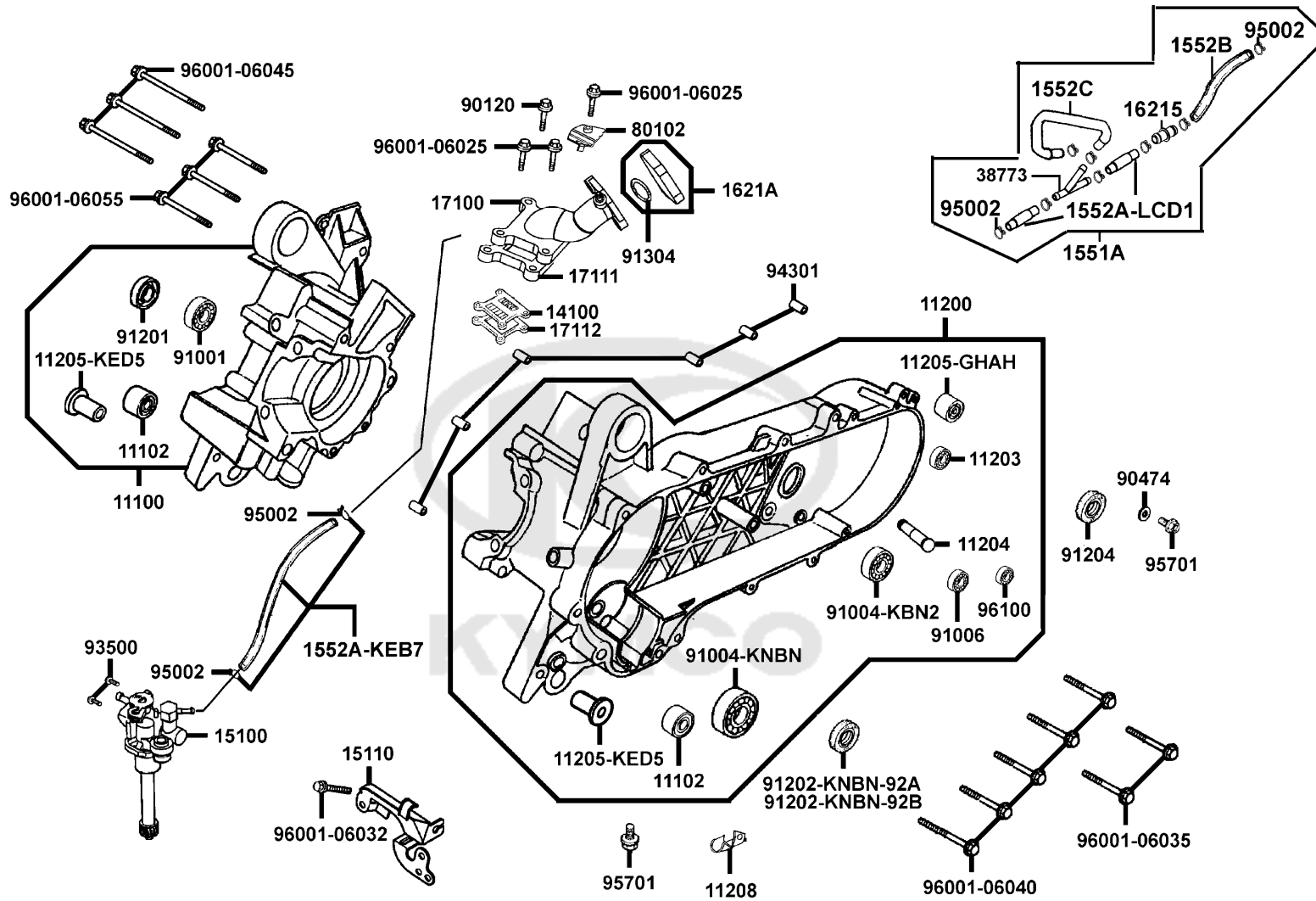
Sales mark	Ref no	Part no	Description	Reg description	Regd no	<b>E08</b>
11203		11203-KUDU-900	PIN BRAKE SHOE ANCHOR	PIN BRAKE SHOE ANCHOR	1	
21200		21200-KFA6-305	CASE ASSY MISSION	CASE ASSY MISSION	1	
21395		21395-KFA6-900	GASKET MISSION CASE A	GASKET MISSION CASE A	1	
23411		23411-KFA6-900	SHAFT DRIVE	SHAFT DRIVE	1	
23420		23420-KFA6-900	SHAFT COMP COUNTER	SHAFT COMP COUNTER	1	
23431		23431-KNBN-901	SHAFT FINAL	SHAFT FINAL	1	
23432		23432-KFA6-900	GEAR FINAL	GEAR FINAL	1	
90309		90309-KLF0-004-SY	NUT FLANGE 8MM	NUT FLANGE 8MM	1	
90429		90429-KNBN-901	WASHER SIDE 12MM	WASHER SIDE 12MM	1	
91004		91004-KBN2-90A	BRG BALL RADIAL 6201	BRG BALL RADIAL 6201	2	
91009		91009-GLE0-004	BRG BALL RADIAL 6004 UU	BRG BALL RADIAL 6004 UU	1	
91201		91201-KED1-900	BUSH MISSION	BUSH MISSION	1	
91255		91255-GLE0-006	OIL SEAL 27*42*7	OIL SEAL 27*42*7	1	
91301		91301-0C53-001	O RING 7.5*1.5	O RING 7.5*1.5	1	
94510		94510-20000	CIR CLIP EXTERNAL 20	CIR CLIP EXTERNAL 20	1	



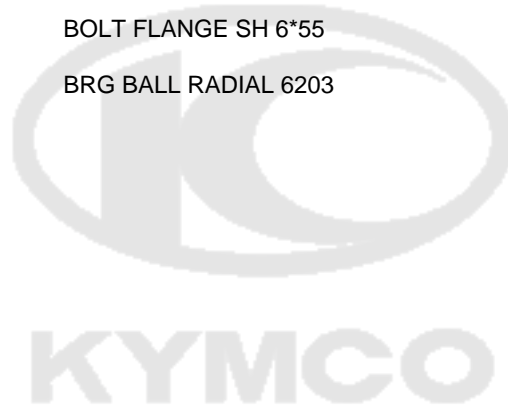
Sales mark	Ref no	Part no	Description	Reg description	Regd no	<b>E09</b>
	11100	11100-KEB7-325	CRANK CASE ASSY RIGHT	CRANK CASE ASSY RIGHT	1	
	11102	11102-1G87-004	RUB BUSH ENG HANGER	RUB BUSH ENG HANGER	2	
	11200	11200-KFA6-305	CRANK CASE ASSY L	CRANK CASE ASSY L	1	
	11203	11203-GGC7-301	UNDER RUBBER BUSH RR CUSHION	UNDER RUBBER BUSH RR CUSHION	1	
	11204	11204-KEB7-900	PIN SPG HOOK	PIN SPG HOOK	1	
	11205-GHAH	11205-GHAH-004	BUSH 8*12*8	BUSH 8*12*8	1	
	11205-KED5	11205-KED5-900	BUSH M STAND	BUSH M STAND	2	
	11208	11208-GKAK-901	CLAMPER CARB DRAIN	CLAMPER CARB DRAIN	1	
	14100	14100-KEB7-900	VALVE COMP REED	VALVE COMP REED	1	
	15100	15100-KEB7-E00	OIL PUMP ASSY	OIL PUMP ASSY	1	
	15110	15110-KEB7-900	PLATE OIL PUMP SET	PLATE OIL PUMP SET	1	
	1551A	1551A-LCD1-E00	TUBE ASSY OIL PUMP ASSY	TUBE ASSY OIL PUMP ASSY	1	
	1552A-KEB7	1552A-KEB7-901	TUBE ASSY OIL PASS	TUBE ASSY OIL PASS	1	
	1552A-LCD1	1552A-LCD1-E00	TUBE ASSY OIL PASS	TUBE ASSY OIL PASS	1	
	1552B	1552B-LCD1-E00	TUBE ASSY OIL PASS	TUBE ASSY OIL PASS	1	
	1552C	1552C-LCD1-E00	TUBE ASSY OIL PASS	TUBE ASSY OIL PASS	1	
	16215	16215-LCD1-E00	JOINT	JOINT	1	
	1621A	1621A-GKAK-901	INSULATOR CARB ASSY	INSULATOR CARB ASSY	1	
	17100	17100-KEB7-901	PIPE COMP INLET	PIPE COMP INLET	1	
	17100	17100-KEB7-E00	PIPE COMP INLET	PIPE COMP INLET	1	



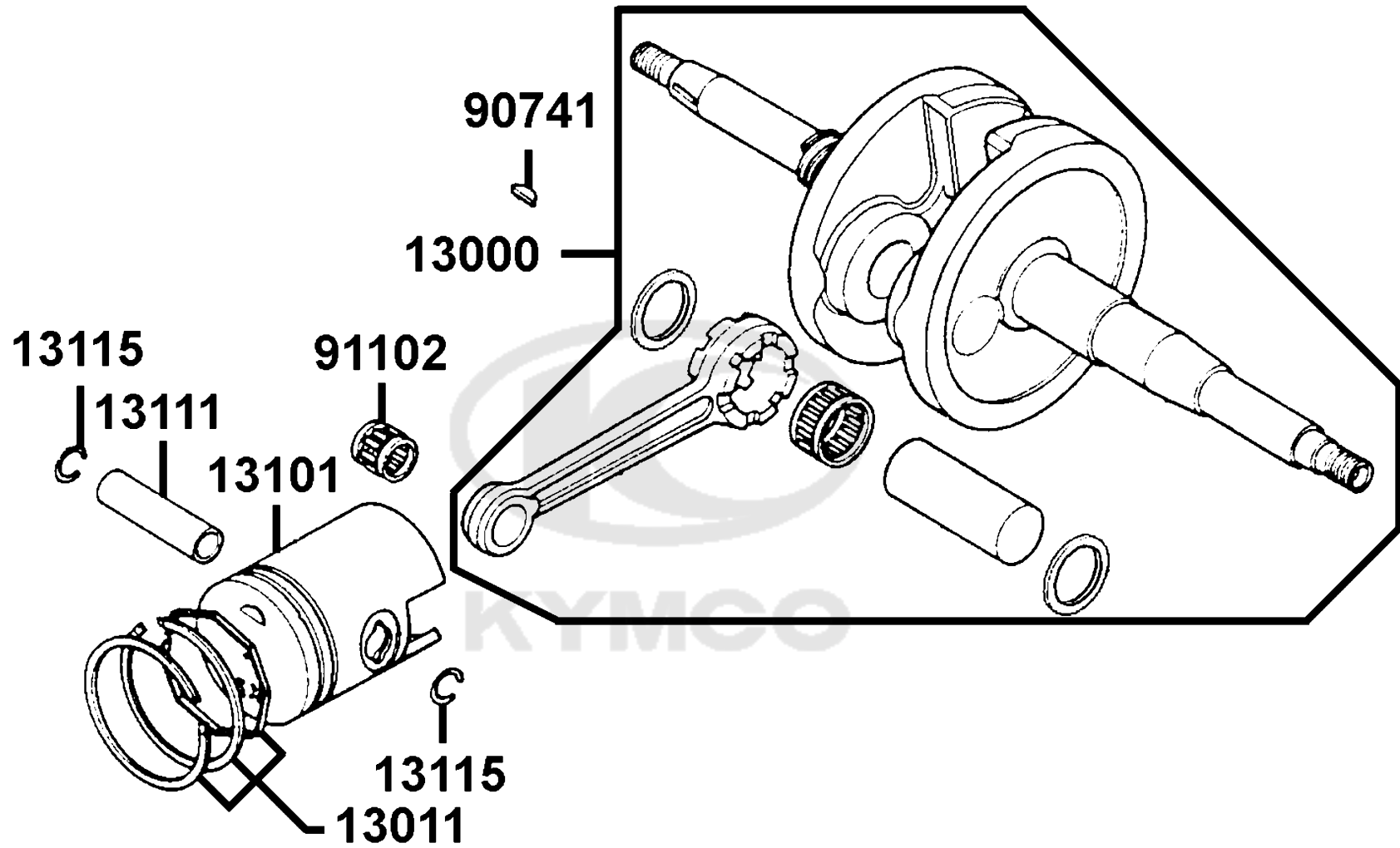
Sales mark	Ref no	Part no	Description	Reg description	Regd no	E09
17111		17111-KEB7-900	GASKET INLET PIPE A	GASKET INLET PIPE A	1	
17111		17111-KEB7-980	GASKET,INLET PIPE A @A	GASKET,INLET PIPE A @A	1	
17112		17112-KEB7-900	GASKET INLET PIPE B	GASKET INLET PIPE B	1	
17112		17112-KEB7-980	GASKET INLET PIPE A @B	GASKET INLET PIPE A @B	1	
38773		38773-KEC3-900	JOINT 3 WAY	JOINT 3 WAY	1	
80102		80102-LCD1-E00	STAY A RR TIRE FENDER	STAY A RR TIRE FENDER	1	
80102		80102-LCD1-E00	STAY A RR TIRE FENDER	STAY A RR TIRE FENDER	1	
90120		90120-GAR1-J00	SOCKET BOLT SPECIAL 6*28	SOCKET BOLT SPECIAL 6*28	1	
90474		90474-3C33-001	WASHER 8MM	WASHER 8MM	1	
91001		91001-GLW0-90A	BRG BALL RADIAL 6204 SPECIAL	BRG BALL RADIAL 6204 SPECIAL	1	
91004-KBN2		91004-KBN2-90A	BRG BALL RADIAL 6201	BRG BALL RADIAL 6201	1	
91004-KNBN		91004-KNBN-92A	BRG BALL RADIAL TMB203A/17*42*12	BRG BALL RADIAL TMB203A/17*42*12	1	
91006		91006-KNBN-901	BRG BALL RADIAL 25*56*12	BRG BALL RADIAL 25*56*12	1	
91201		91201-KNBN-92A	OIL SEAL 15.6*25.5*7	OIL SEAL 15.6*25.5*7	1	
91202-KNBN-92A		91202-KNBN-92A	OIL SEAL 20*31*7	OIL SEAL 20*31*7	1	
91202-KNBN-92B		91202-KNBN-92B	OIL SEAL 20*31*7	OIL SEAL 20*31*7	1	
91204		91204-KNBN-90A	OIL SEAL 17*30*6	OIL SEAL 17*30*6	1	
91304		91304-GLB0-911	O-RING 20.6*1.9	O-RING 20.6*1.9	1	
93500		93500-05012-0H	SCREW PAN 5*12	SCREW PAN 5*12	2	
94301		94301-10200	DOWEL PIN 10*20	DOWEL PIN 10*20	6	



Sales mark	Ref no	Part no	Description	Reg description	Regd no	<b>E09</b>
95002	95002-02650	95002-02650	CLIP B 6.5 TUBE	CLIP B 6.5 TUBE	2	
95701	95701-08012-08	95701-08012-08	BOLT FLANGE 8X12	BOLT FLANGE 8X12	2	
96001-06025	96001-06025-08	96001-06025-08	BOLT FLANGE SH 6*25	BOLT FLANGE SH 6*25	3	
96001-06032	96001-06032-08	96001-06032-08	BOLT FLANGE 6*32	BOLT FLANGE 6*32	1	
96001-06035	96001-06035-08	96001-06035-08	BOLT FLANGE 6*35	BOLT FLANGE 6*35	2	
96001-06040	96001-06040-08	96001-06040-08	BOLT FLANGE SH 6*40	BOLT FLANGE SH 6*40	5	
96001-06045	96001-06045-08	96001-06045-08	BOLT FLANGE SH 6*45	BOLT FLANGE SH 6*45	3	
96001-06055	96001-06055-08	96001-06055-08	BOLT FLANGE SH 6*55	BOLT FLANGE SH 6*55	3	
96100	96100-62033-00	96100-62033-00	BRG BALL RADIAL 6203	BRG BALL RADIAL 6203	1	





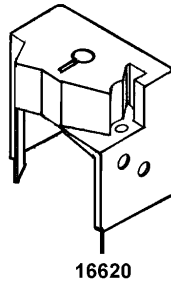


Sales mark	Ref no	Part no	Description	Reg description	Regd no	<b>E10</b>
13000		13000-GKAK-921	CRANK SHAFT COMP	CRANK SHAFT COMP	1	
13011		13011-GLW0-90A	RING ASSY PISTON	RING ASSY PISTON	1	
13101		13101-GLW0-901	PISTON A	PISTON A	1	
13111		13111-1F66-001	PIN PISTON	PIN PISTON	1	
13115		13115-1F56-001	CLIP PISTON PIN 12MM	CLIP PISTON PIN 12MM	2	
90741		90741-0E35-001	KEY WOODRUFF	KEY WOODRUFF	1	
91102		91102-GLW0-009	BRG CON-ROD S. E.	BRG CON-ROD S. E.	1	

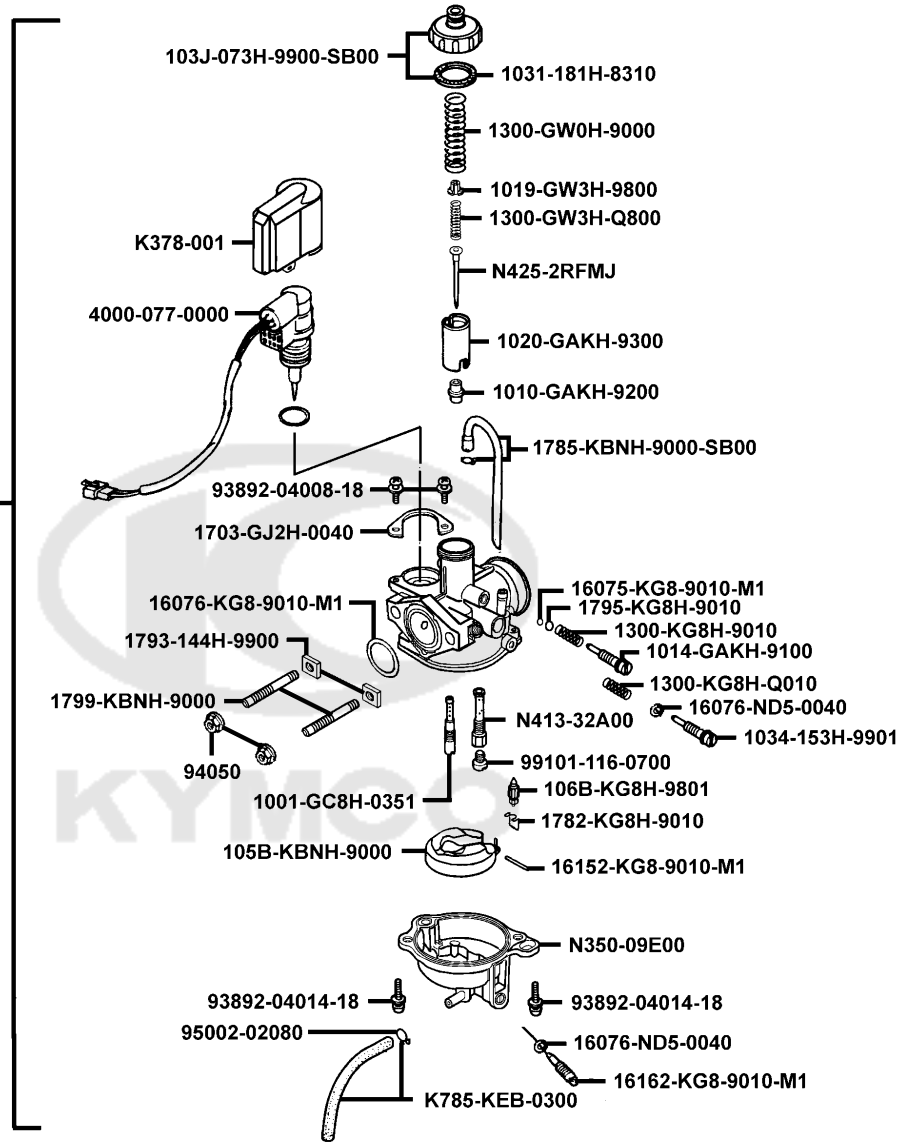


E11

# Carburetor



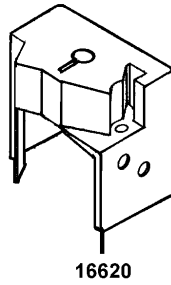
1610K



Sales mark	Ref no	Part no	Description	Reg description	Regd no	E11
	1001-GC8H-0351	1001-GC8H-0351	SLOW JET	SLOW JET	1	
	1010-GAKH-9200	1010-GAKH-9200	NEEDLE JET	NEEDLE JET	1	
	1014-GAKH-9100	1014-GAKH-9100	ADJUST SCREW	ADJUST SCREW	1	
	1019-GW3H-9800	1019-GW3H-9800	VALVE PLATE SET	VALVE PLATE SET	1	
	1020-GAKH-9300	1020-GAKH-9300	THROTTLE VALVE	THROTTLE VALVE	1	
	1031-181H-8310	1031-181H-8310	TOP GASKET	TOP GASKET	1	
	1034-153H-9901	1034-153H-9901	STOP SCREW	STOP SCREW	1	
	103J-073H-9900-	103J-073H-9900-SB0	TOP SET	TOP SET	1	
	105B-KBNH-9000	105B-KBNH-9000	FLOAT COMP	FLOAT COMP	1	
	106B-KG8H-9804	106B-KG8H-9804	FLOAT VALVE SET	FLOAT VALVE SET	1	
	1300-GW0H-9000	1300-GW0H-9000	SPG COMPR	SPG COMPR	1	
	1300-GW3H-Q800	1300-GW3H-Q800	VALVE PLATE SET	VALVE PLATE SET	1	
	1300-KG8H-9010	1300-KG8H-9010	SPG COMPR	SPG COMPR	1	
	1300-KG8H-Q010	1300-KG8H-Q010	COMRP SPG	COMRP SPG	1	
	16075-KG8-9010-M1	16075-KG8-9010-M1	O-RING	O-RING	1	
	16076-KG8-9010-M1	16076-KG8-9010-M1	O-RING	O-RING	1	
	16076-ND5-0040	16076-ND5-0040	O-RING	O-RING	1	
	1610K	1610K-KFA6-E05	CARBURETOR ASSY	CARBURETOR ASSY	1	
	16152-KG8-9010-M1	16152-KG8-9010-M1	ARM PIN	ARM PIN	1	
	16162-KG8-9010-M1	16162-KG8-9010-M1	DRAIN SCREW PAN	DRAIN SCREW PAN	1	

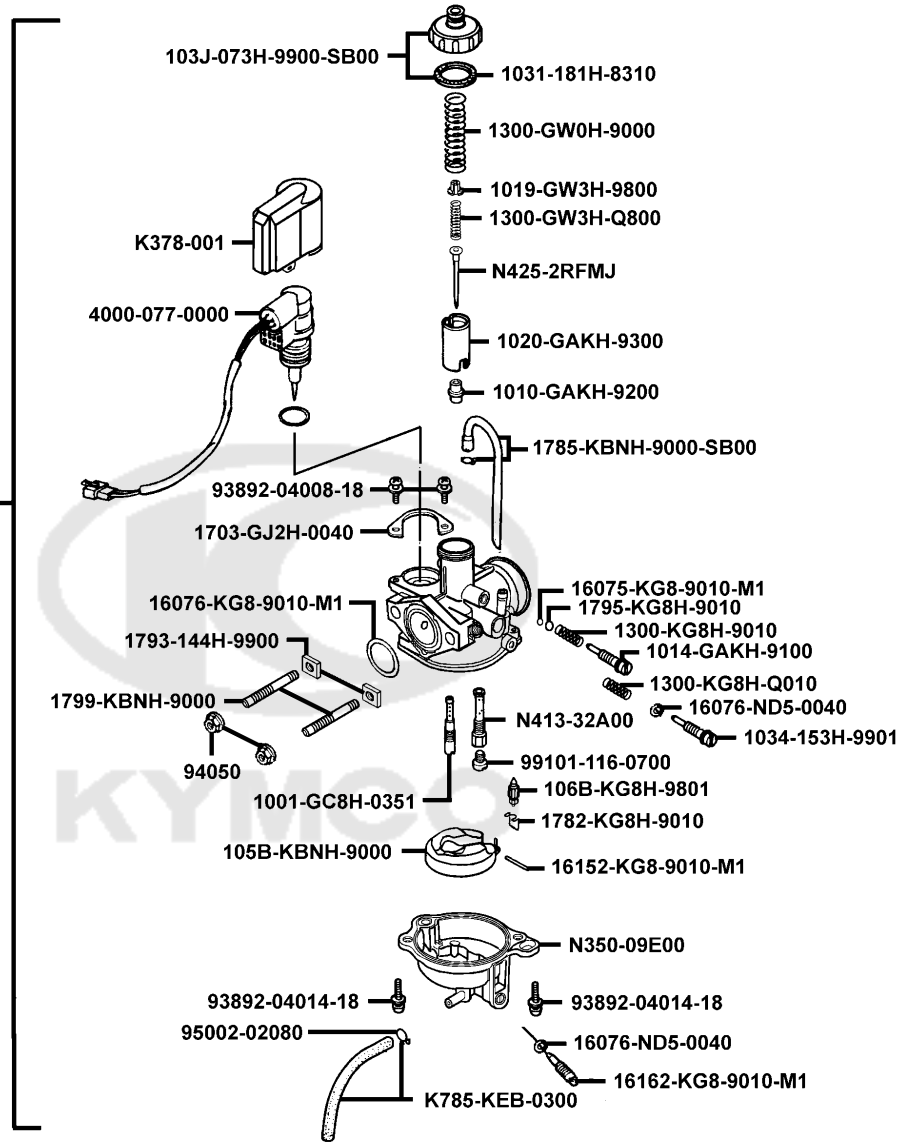
E11

# Carburetor



16620

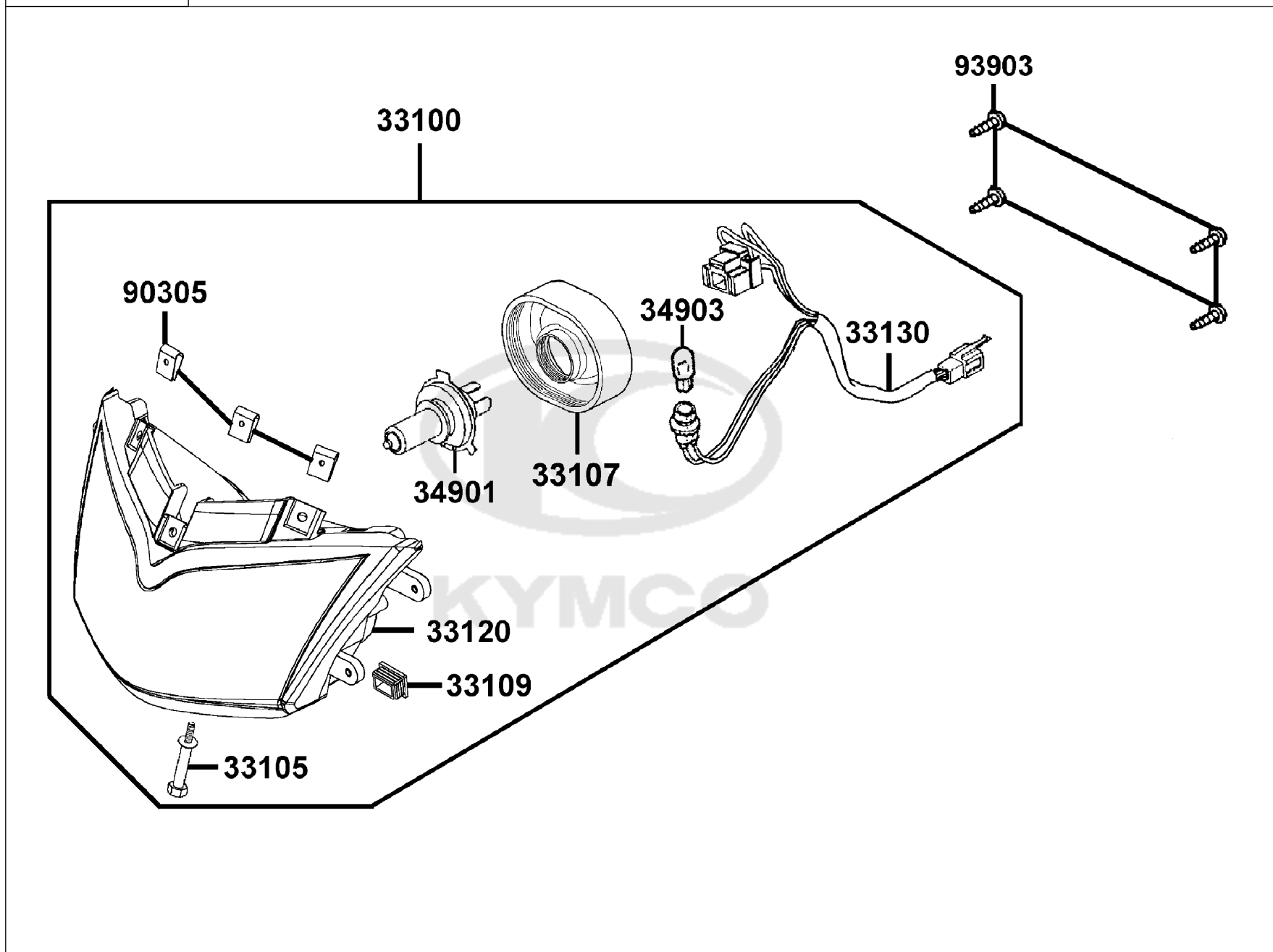
1610K



Sales mark	Ref no	Part no	Description	Reg description	Regd no	E11
16620		16620-KEB7-E00	CAP CARBURETOR	CAP CARBURETOR	1	
1703-GJ2H-0040		1703-GJ2H-0040	SET PLATE	SET PLATE	1	
1782-KG8H-9010		1782-KG8H-9010	CLIP	CLIP	1	
1785-KBNH-9000-		1785-KBNH-9000-SB0	TUBE SET	TUBE SET	1	
1793-144H-9900		1793-144H-9900	HEX NUT	HEX NUT	2	
1795-KG8H-9010		1795-KG8H-9010	PLAIN WASHER	PLAIN WASHER	1	
1799-KBNH-9000		1799-KBNH-9000	STUD BOLT	STUD BOLT	2	
4000-077-0000		4000-077-0000	AUTO BYSTARTER SET	AUTO BYSTARTER SET	1	
93892-04008-18		93892-04008-18	SCREW WASHER 4*8	SCREW WASHER 4*8	2	
93892-04014-18		93892-04014-18	SCREW WASHER	SCREW WASHER	2	
94050-06080		94050-06080	NUT FLANGE 6MM	NUT FLANGE 6MM	2	
95002-02080		95002-02080	CLIP B8 CHAMBER TUBE	CLIP B8 CHAMBER TUBE	1	
99101-116-0700		99101-116-0700	MAIN JET #70	MAIN JET #70	1	
K378-001		K378-001	OUTER CAP	OUTER CAP	1	
K785-KEB-0300		K785-KEB-0300	TUBE SET (DRAIN)	TUBE SET (DRAIN)	1	
N350-09E00		N350-09E00	FLOAT CHAMBER SET	FLOAT CHAMBER SET	1	
N413-32A00		N413-32A00	NEEDLE JET HOLDER	NEEDLE JET HOLDER	1	
N425-2RFMJ		N425-2RFMJ	JET NEEDLE COMP	JET NEEDLE COMP	1	

F01

Head Light



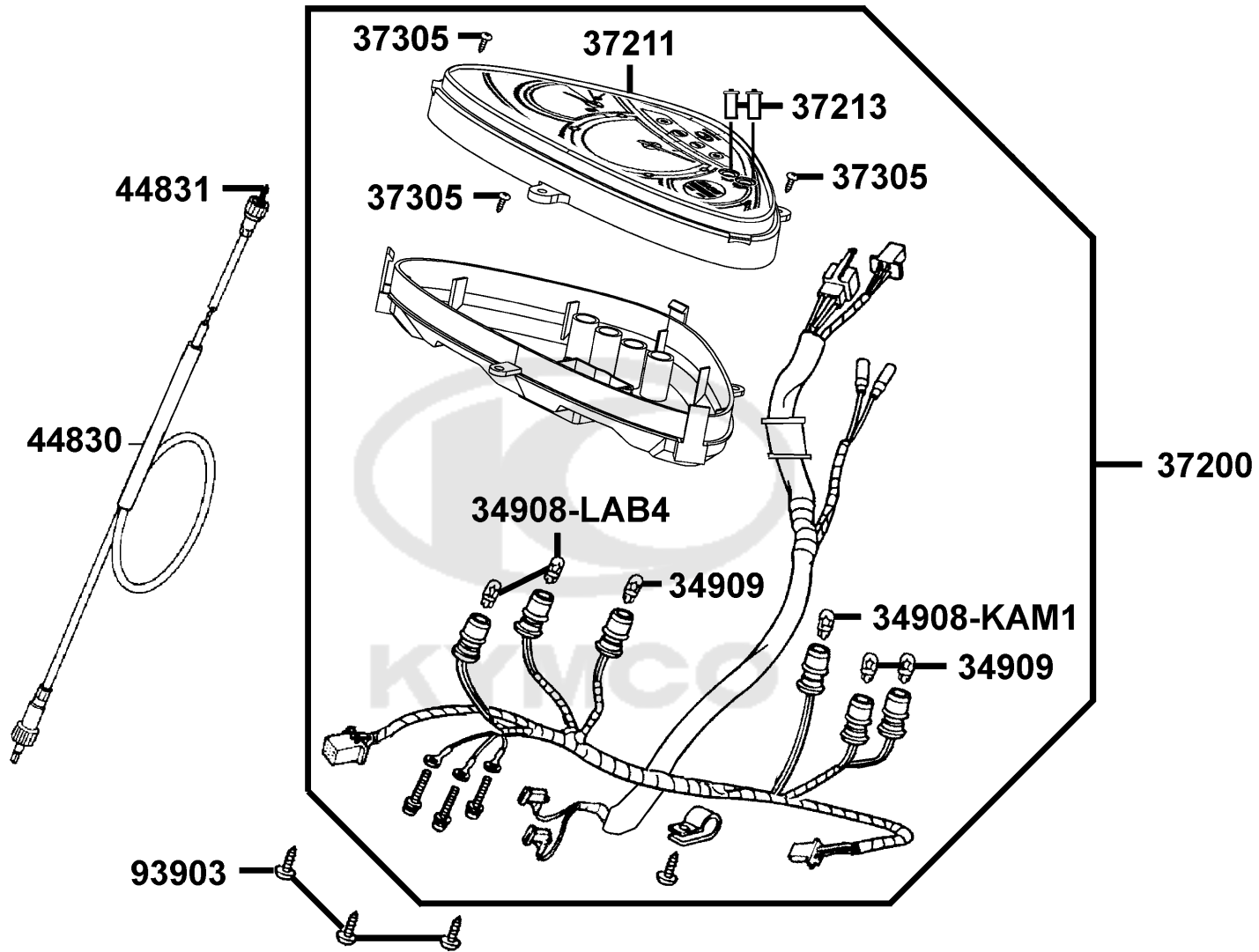
Sales mark	Ref no	Part no	Description	Reg description	Regd no	<b>F01</b>
	33100	33100-LCD1-E01	LIGHT ASSY HEAD	LIGHT ASSY HEAD	1	
	33105	33105-LCD3-E00	BOLT ADJUST	BOLT ADJUST	1	
	33107	33107-LCD1-E00	COVER RUBBER	COVER RUBBER	1	
	33109	33109-LCD3-E00	COVER RUBBER A	COVER RUBBER A	1	
	33120	33120-LCD1-E01	UNIT HEAD LIGHT	UNIT HEAD LIGHT	1	
	33130	33130-LCD1-E00	SOCKET COMP	SOCKET COMP	1	
	34901	34901-KFA6-900	BULB HEAD LIGHT	BULB HEAD LIGHT	1	
	34903	34903-KPCP-900	BULB POSITION	BULB POSITION	1	
	90305	90305-GHK8-001	NUT CLIP 6MM	NUT CLIP 6MM	3	
	93903	93903-35220	SCREW TAPPING 5*12	SCREW TAPPING 5*12	4	



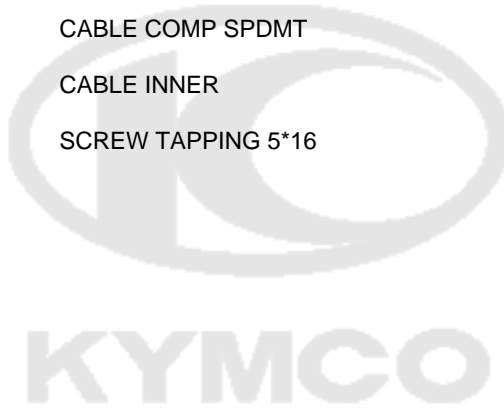


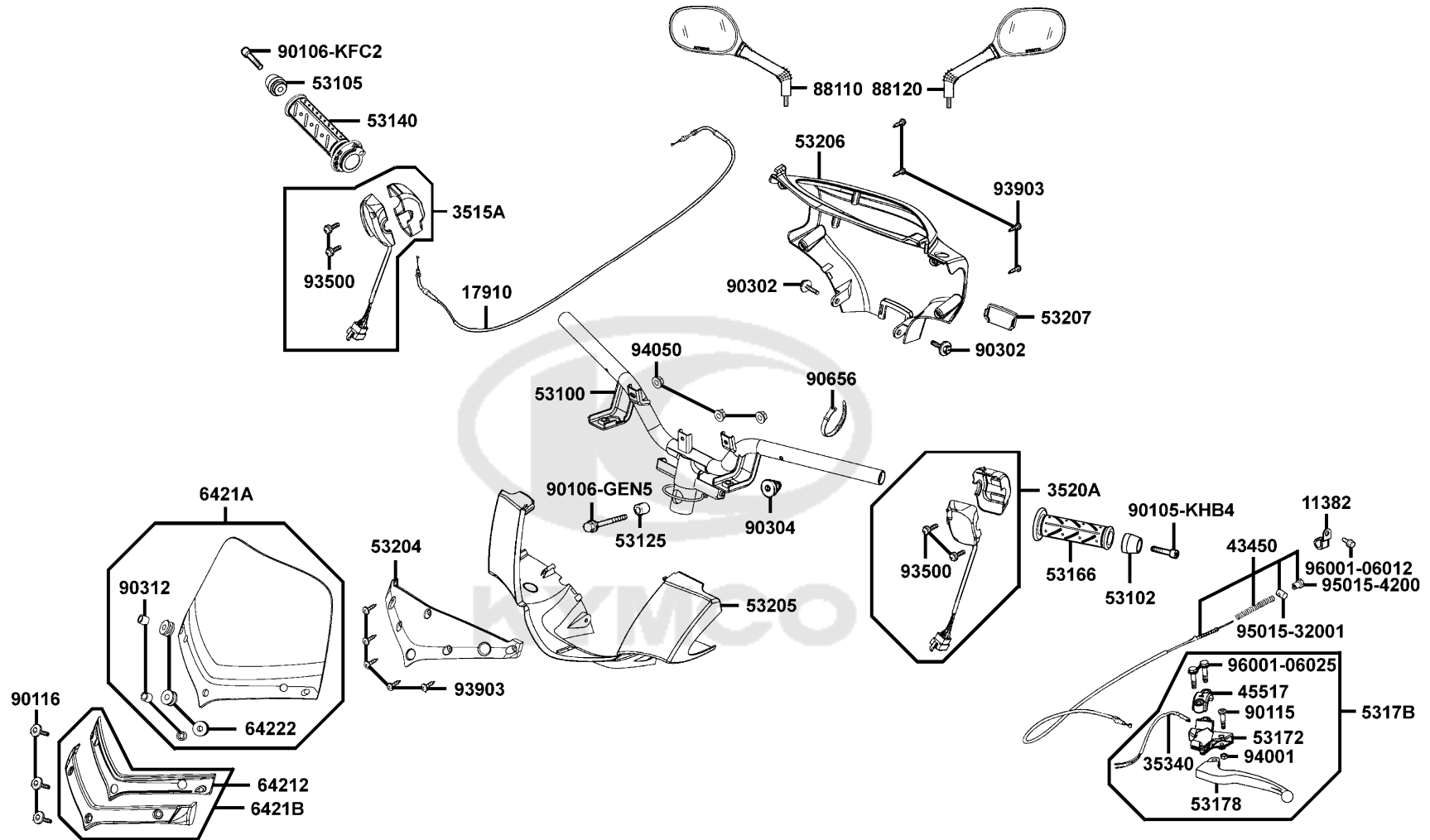
F02

Head Light



Sales mark	Ref no	Part no	Description	Reg description	Regd no	F02
	34908-KAM1	34908-KAM1-67A	BULB WEDGE BASE	BULB WEDGE BASE	1	
	34908-LAB4	34908-LAB4-900	BULB WEDGE BASE	BULB WEDGE BASE	2	
	34909	34909-KEBE-900	BULB WEDGE BASE	BULB WEDGE BASE	3	
	37200	37200-LCD1-E01	METER ASSY SPEED	METER ASSY SPEED	1	
	37211	37211-LCD3-E01	LENS ASSY	LENS ASSY	1	
	37213	37213-LCD3-E00	PACKING (BOTTON)	PACKING (BOTTON)	2	
	37305	37305-KEE5-009	SCREW WASH 3*22	SCREW WASH 3*22	3	
	44830	44830-LCD3-E00	CABLE COMP SPDMT	CABLE COMP SPDMT	1	
	44831	44831-LCD3-E00	CABLE INNER	CABLE INNER	1	
	93903	93903-35320	SCREW TAPPING 5*16	SCREW TAPPING 5*16	3	

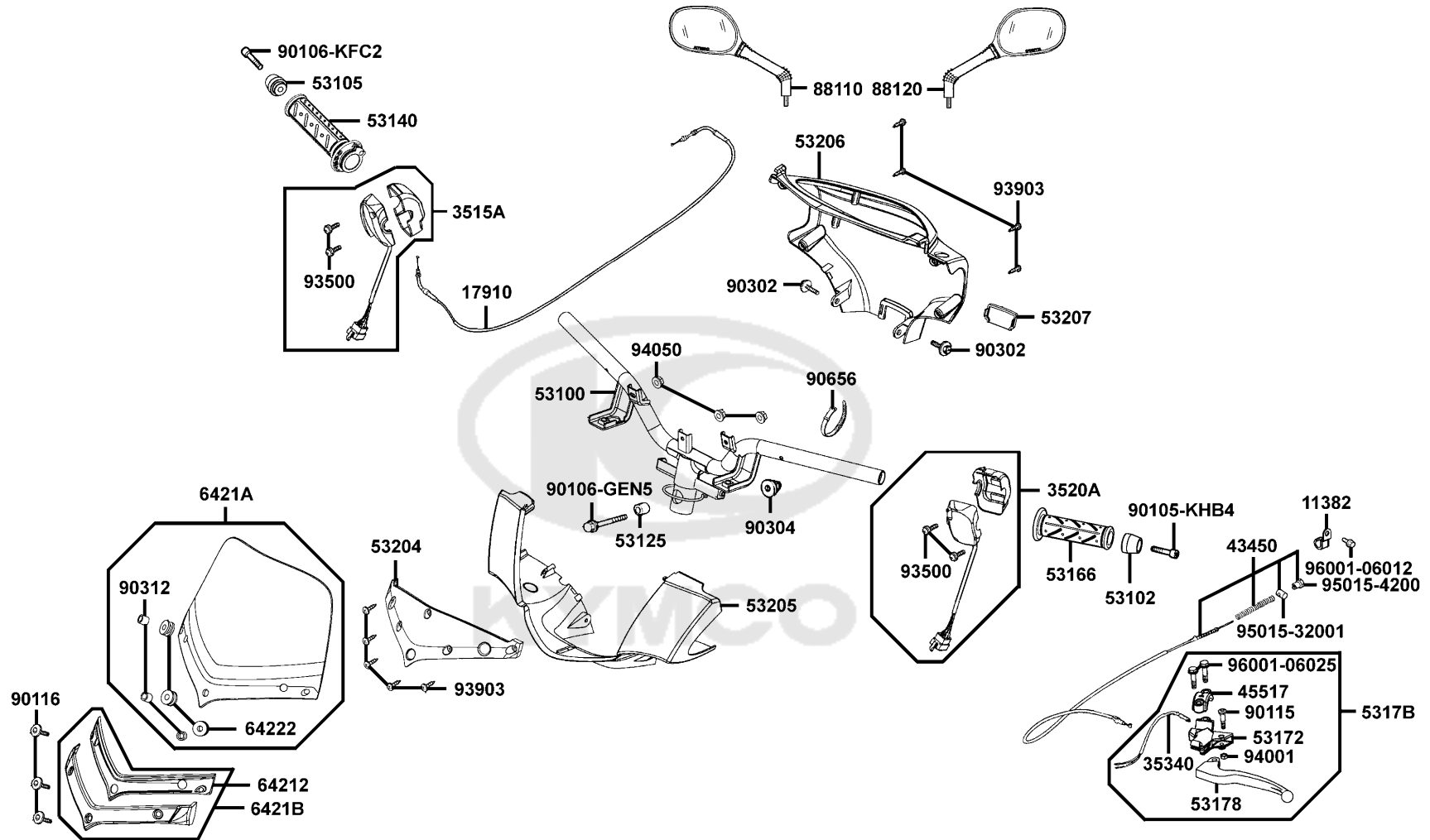




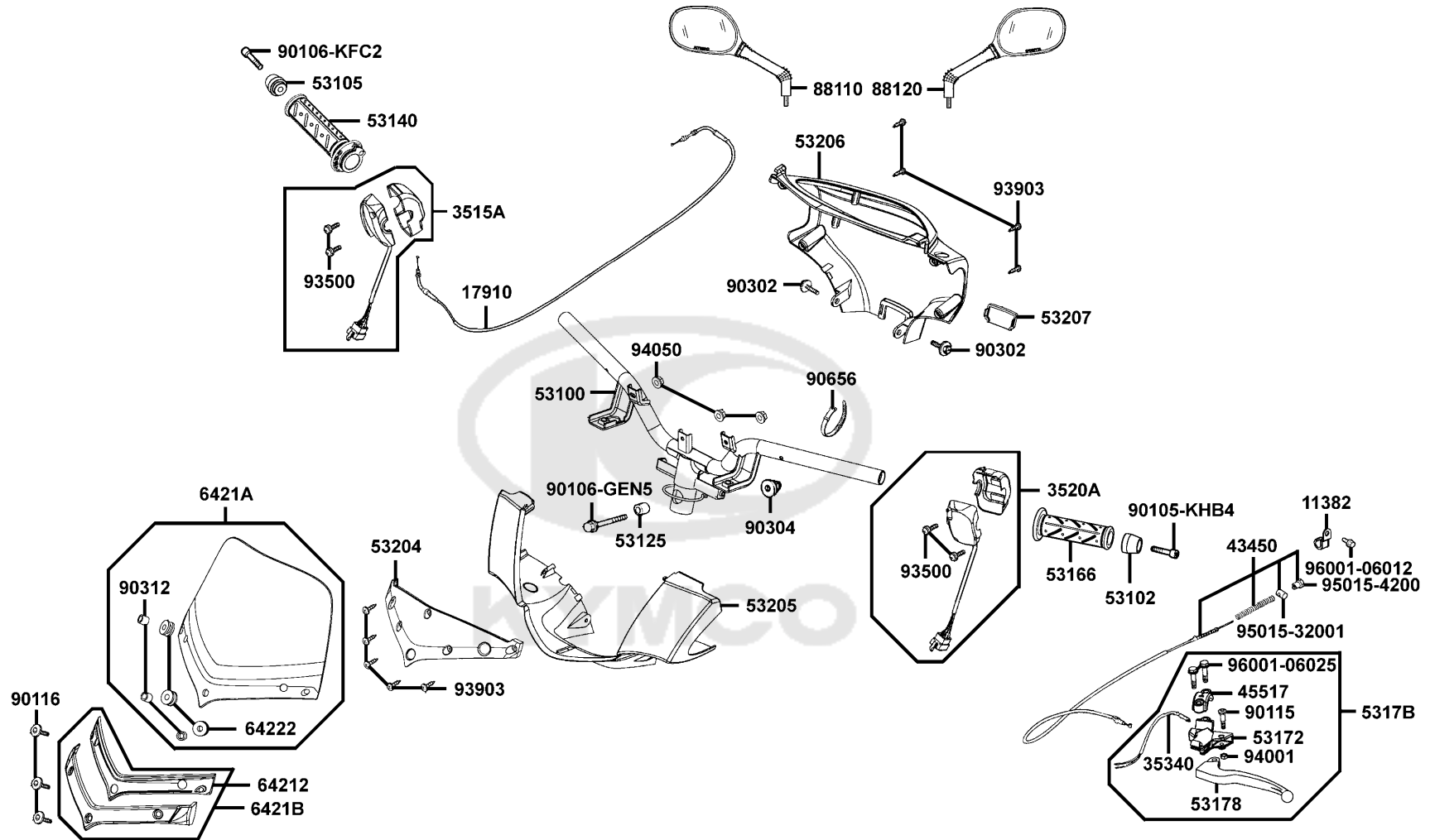
Sales mark	Ref no	Part no	Description	Reg description	Regd no	F03
	11382	11382-KHB4-900	CLAMP BRAKE CABLE	CLAMP BRAKE CABLE	1	
	17910	17910-LCD1-E00	CABLE COMP THROT	CABLE COMP THROT	1	
	3515A	3515A-KEB8-B00	SW ASSY RH HNDL COMP	SW ASSY RH HNDL COMP	1	
	3520A	3520A-LCD3-E00	SW ASSY LH HNDL COMP	SW ASSY LH HNDL COMP	1	
	35340	35340-KKJ9-010	SW ASSY FR STOP	SW ASSY FR STOP	1	
	43450	43450-LCD1-E00	CABLE COMP RR BRK	CABLE COMP RR BRK	1	
	45517	45517-GFY6-900	HOLDER HNDL BRKT	HOLDER HNDL BRKT	1	
	53100	53100-LCD1-E00	HANDLE COMP STRG	HANDLE COMP STRG	1	
**	53102	53102-KEC8-900	END HANDLE	END HANDLE	1	
**	53105	53105-LBB5-E00	END R STRGHANDLE	END R STRGHANDLE	1	
	53125	53125-GEN5-901	COLLAR HANDLE SET	COLLAR HANDLE SET	1	
**	53140	53140-KGB5-900	GRIP COMP THROT	GRIP COMP THROT	1	
**	53166	53166-KGB5-900	GRIP L HANDLE	GRIP L HANDLE	1	
	53172	53172-KTCT-900	BRKT HNDL L	BRKT HNDL L	1	
**	53178	53178-LCD1-E00	LEVER L STRG HANDLE	LEVER L STRG HANDLE	1	
	5317B	5317B-LCD1-E00	BRACKET ASSY HANDLE LH	BRACKET ASSY HANDLE LH	1	
	53204	53204-LCD3-E00	COVER HEAD LIGHT	COVER HEAD LIGHT	1	
**	53205	53205-LCD3-E00	COVER FR HANDLE	COVER FR HANDLE	1	
**	53206	53206-LCD3-E00	COVER RR HANDLE	COVER RR HANDLE	1	
**	53207	53207-LCD3-E00	PLUG COVER RR HANDLE	PLUG COVER RR HANDLE	1	

F03

# Speedometer



Sales mark	Ref no	Part no	Description	Reg description	Regd no	F03
	64212	64212-LCD3-E00	RUBBER VISOR OUT	RUBBER VISOR OUT	1	
**	6421A	6421A-LEJ8-E01	VISOR METER	VISOR METER	1	
	6421B	6421B-LCD3-E01	COVER ASSY VISOR OUT	COVER ASSY VISOR OUT	1	
	64222	64222-KKC4-900	RUBBER WIND SCREEN	RUBBER WIND SCREEN	3	
	88110	88110-LBD5-E00	MIRROR ASSY R BACK	MIRROR ASSY R BACK	1	
	88120	88120-LBD5-E00	MIRROR ASSY L BACK	MIRROR ASSY L BACK	1	
	90105-KHB4	90105-KHB4-900	BOLT WASH M8*60	BOLT WASH M8*60	1	
	90106-GEN5	90106-GEN5-901	BOLT FLANGE 10*50	BOLT FLANGE 10*50	1	
	90106-KFC2	90106-KFC2-900	BOLT WASH 8MM	BOLT WASH 8MM	1	
	90115	90115-GLE0-001	BOLT HNDL LEVER PIVOT	BOLT HNDL LEVER PIVOT	1	
	90116	90116-KED9-900	SCREW PAN 6*24	SCREW PAN 6*24	3	
	90302	90302-GFY6-940	BOLT WASHER 5*16	BOLT WASHER 5*16	2	
	90304	90304-GHE8-004-SY	NUT U FLANGE 10MM	NUT U FLANGE 10MM	1	
	90312	90312-LCD3-E01	COLLAR VISOR	COLLAR VISOR	3	
	90656	90656-KCBC-900	BAND OIL HANDLE	BAND OIL HANDLE	1	
	93500	93500-KGBG-900	SCREW PAN 5*25	SCREW PAN 5*25	4	
	93903	93903-34360	SCREW TAPPING 4*12	SCREW TAPPING 4*12	9	
	94001	94001-05080-0S	NUT HEX 5MM	NUT HEX 5MM	1	
	94050	94050-06080	NUT FLANGE 6MM	NUT FLANGE 6MM	3	
	95015-32001	95015-32001	JOINT B BRAKE ARM	JOINT B BRAKE ARM	1	

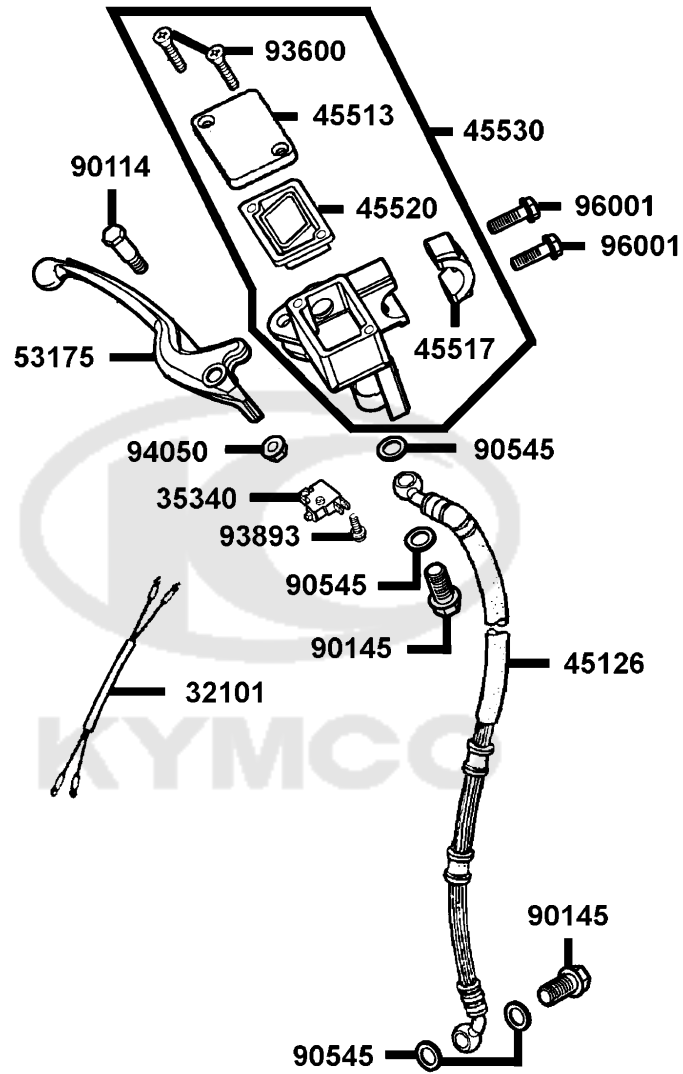


Sales mark	Ref no	Part no	Description	Reg description	Regd no	<b>F03</b>
------------	--------	---------	-------------	-----------------	---------	------------

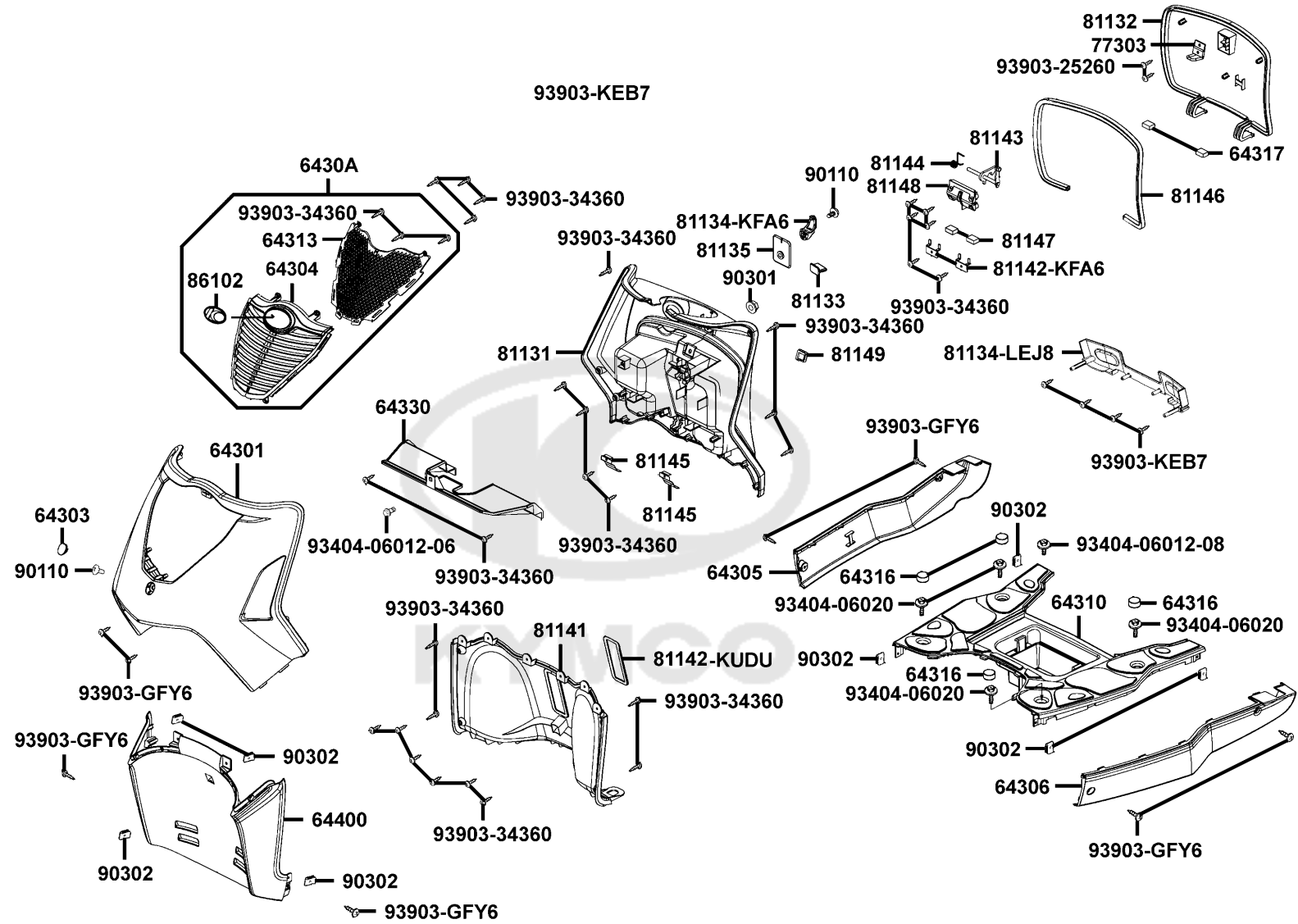
95015-4200		95015-42000	NUT B ADJUST	NUT B ADJUST	1	
96001-06012		96001-06012-08	BOLT FLANGE SH 6*12	BOLT FLANGE SH 6*12	1	
96001-06025		96001-06025-06	BOLT FLANGE SH 6*25	BOLT FLANGE SH 6*25	2	



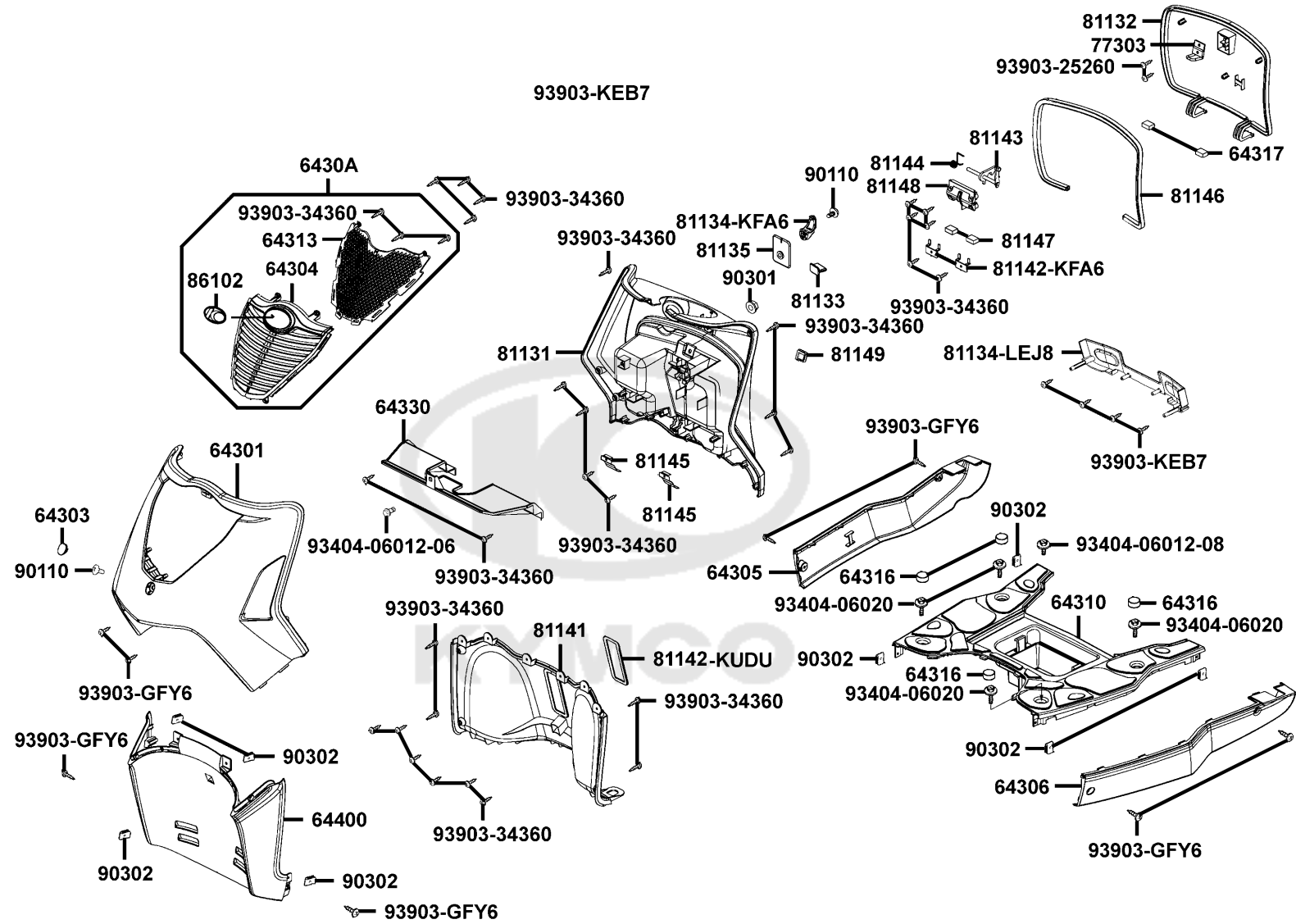




Sales mark	Ref no	Part no	Description	Reg description	Regd no	<b>F04</b>
	32101	32101-GFY6-901	SUB CORD R/H	SUB CORD R/H	1	
	35340	35340-KNBN-901	SW ASSY FR STOP	SW ASSY FR STOP	1	
	45126	45126-LCD3-E00	HOSE ASSY FR BRK	HOSE ASSY FR BRK	1	
	45513	45513-KCCC-900	CAP MASTER CYLINDER	CAP MASTER CYLINDER	1	
	45517	45517-KFAF-910	HOLDER M/C	HOLDER M/C	1	
	45520	45520-KCCC-900	DIAPHRAGM	DIAPHRAGM	1	
	45530	45530-KEB7-306	CYLINDER SET MASTER	CYLINDER SET MASTER	1	
**	53175	53175-KXBX-E10	LEVER R STRG HNDL	LEVER R STRG HNDL	1	
	90114	90114-1F66-007	BOLT HANDLE LEVER	BOLT HANDLE LEVER	1	
	90145	90145-MKS9-61A	OIL BOLT 10*22	OIL BOLT 10*22	2	
	90545	90545-3L00-001	WASHER OIL BOLT	WASHER OIL BOLT	4	
	93600	93600-04012-1G	SCREW FLAT 4*12	SCREW FLAT 4*12	2	
	93893	93893-04012-18	SCREW WASHER 4*12	SCREW WASHER 4*12	1	
	94050	94050-06060	NUT FLANGE 6MM	NUT FLANGE 6MM	1	
	96001	96001-06022-06	BOLT FLANGE SH 6*25	BOLT FLANGE SH 6*25	2	



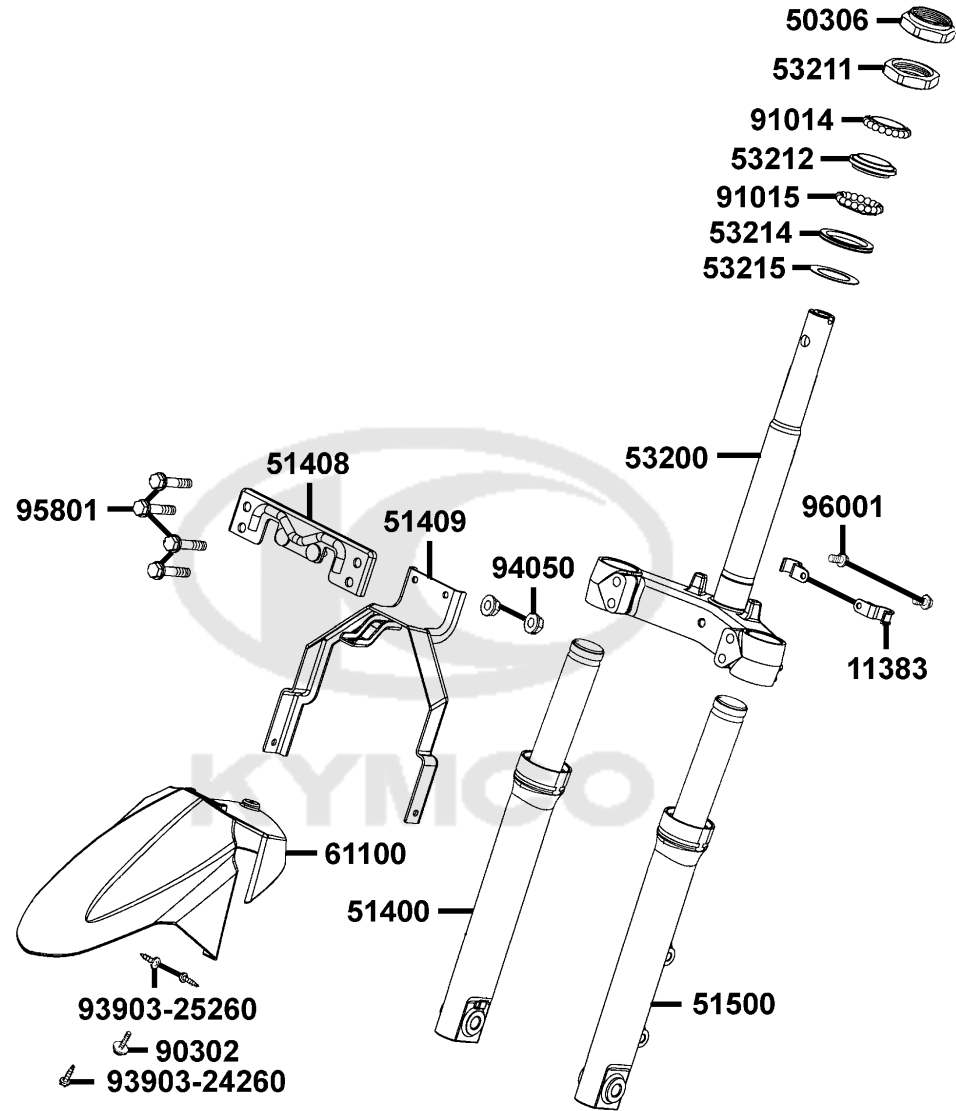
Sales mark	Ref no	Part no	Description	Reg description	Regd no	F05
**	64301	64301-LCD3-E00	COVER FRONT	COVER FRONT	1	
**	64303	64303-LCD3-E00	FR TOP	FR TOP	1	
	64304	64304-LCD3-E00	GRILL FR COVER	GRILL FR COVER	1	
**	64305	64305-LCD3-E00	SKIRT R SIDE	SKIRT R SIDE	1	
**	64306	64306-LCD3-E00	SKIRT L SIDE	SKIRT L SIDE	1	
	6430A	6430A-LCD3-E00	COVER ASSY FR GRILL	COVER ASSY FR GRILL	1	
**	64310	64310-LCD3-E00	FLOOR PANEL	FLOOR PANEL	1	
**	64313	64313-LCD3-E00	GRILL FR COVER INNER	GRILL FR COVER INNER	1	
	64316	64316-LCD3-E00	PLUG RR FLOOR	PLUG RR FLOOR	4	
	64317	64317-LCD3-E00	SEAL INNER BOX LID	SEAL INNER BOX LID	2	
	64330	64330-LCD3-E00	PLATE FR INNER	PLATE FR INNER	1	
**	64400	64400-LCD3-E00	COWL UNDER	COWL UNDER	1	
	77303	77303-KGC4-E00	HOOK SEAT LOCK	HOOK SEAT LOCK	1	
**	81131	81131-LCD3-E01	LEG SHIELD UP	LEG SHIELD UP	1	
**	81132	81132-LCD3-E00	LID INNER BOX	LID INNER BOX	1	
	81133	81133-KNBN-901	STOPPER LUGGAGE	STOPPER LUGGAGE	1	
	81134-KFA6	81134-KFA6-900	HOOK LUGGAGE	HOOK LUGGAGE	1	
	81134-LEJ8	81134-LEJ8-E00	PLATE INNER BOX	PLATE INNER BOX	1	
	81135	81135-KGBG-900	STAY LUGGAGE HOOK	STAY LUGGAGE HOOK	1	
**	81141	81141-LCD3-E00	LEG SHIELD LOW	LEG SHIELD LOW	1	



Sales mark	Ref no	Part no	Description	Reg description	Regd no	F05
**	81142-KUDU	81142-KUDU-900	LID LEG SHIELD(VIN)	LID LEG SHIELD(VIN)	1	
	81143	81143-LCD3-E00	LID CATCH INNER BOX	LID CATCH INNER BOX	1	
	81144	81144-LCD3-E00	SPRING HOOK BAR	SPRING HOOK BAR	1	
	81145	81145-LCD3-E00	SPRING INNER BOX LID	SPRING INNER BOX LID	2	
	81146	81146-LCD3-E00	SEAL LID INNER BOX	SEAL LID INNER BOX	1	
	81147	81147-LCD3-E00	SPONGE INNER BOX LID	SPONGE INNER BOX LID	2	
	81148	81148-LCD3-E00	HOLDER LID CATCH	HOLDER LID CATCH	1	
	81149	81149-LCD3-E00	PLUG INNER BOX	PLUG INNER BOX	1	
**	86102	86102-LCD3-E00	EMB K-LOGO 38MM	EMB K-LOGO 38MM	1	
	90110	90110-GLW0-001	SCREW SPECIAL 6*14	SCREW SPECIAL 6*14	2	
	90301	90301-6D34-671	NUT FLANGE 6MM	NUT FLANGE 6MM	1	
	90302	90302-SDA4-004	NUT SPRING 4MM	NUT SPRING 4MM	8	
	93404-06012-06	93404-06012-06	BOLT WASHER 6*12	BOLT WASHER 6*12	1	
	93404-06012-08	93404-06012-08	BOLT WASHER 6*12	BOLT WASHER 6*12	1	
	93404-06020	93404-06020-06	BOLT WASHER 6*20	BOLT WASHER 6*20	4	
	93903-25260	93903-25260	SCREW TAPPING 5*12	SCREW TAPPING 5*12	2	
	93903-34360	93903-34360	SCREW TAPPING 4*12	SCREW TAPPING 4*12	33	
	93903-GFY6	93903-GFY6-900	SCREW TAPP 4*14	SCREW TAPP 4*14	8	
	93903-KEB7	93903-KEB7-900-06	SCREW WASHER 4MM	SCREW WASHER 4MM	4	

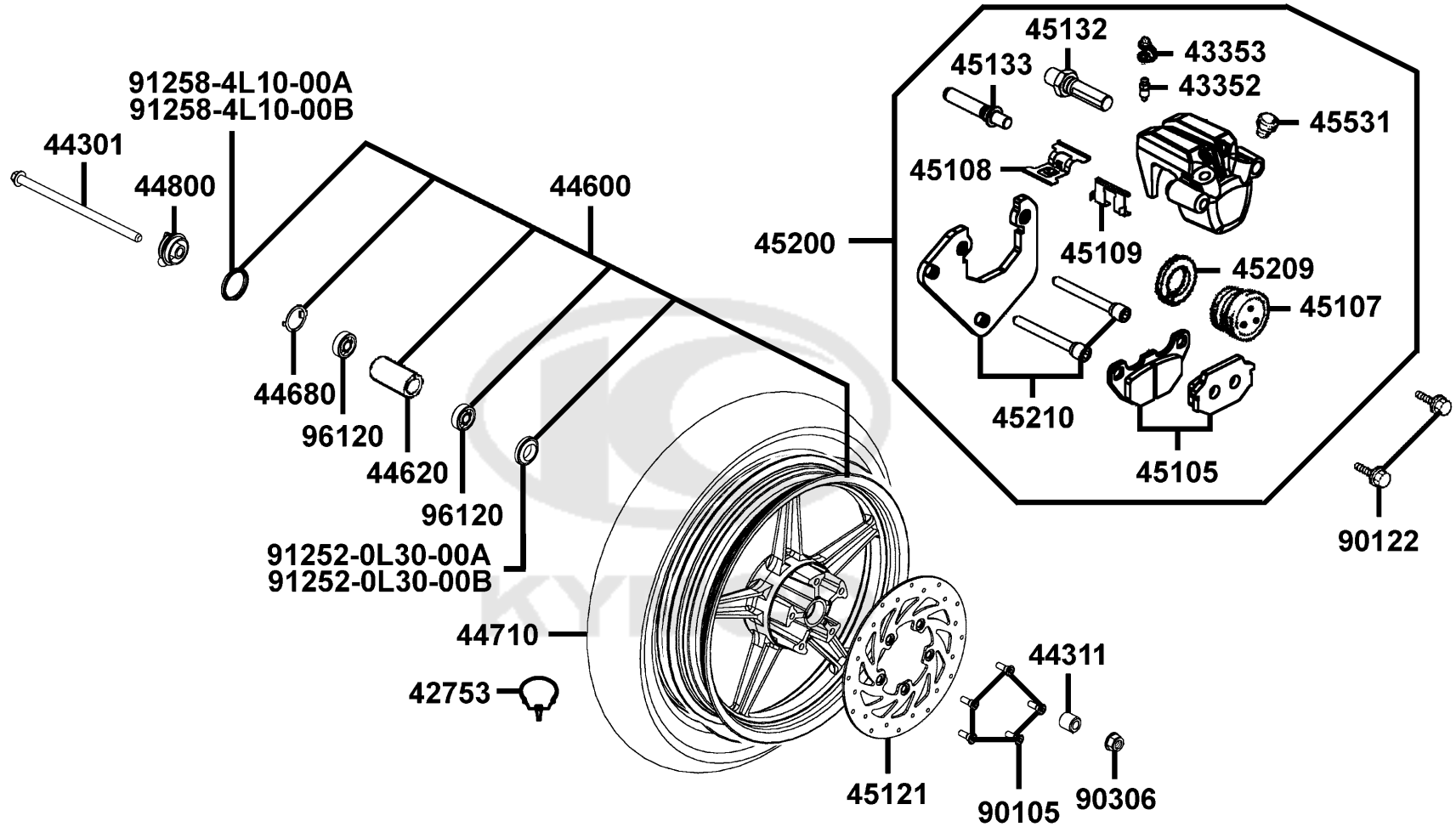
F06

Front Cushion



Sales mark	Ref no	Part no	Description	Reg description	Regd no	F06
	11383	11383-KHE7-900	CLAMPER RR BRK HOSE	CLAMPER RR BRK HOSE	2	
	50306	50306-1F96-001	NUT STRG STEM LOCK	NUT STRG STEM LOCK	1	
**	51400	51400-LCD3-E00	FORK ASSY RH FR	FORK ASSY RH FR	1	
	51408	51408-LCD3-E00	BRK FR FENDER STAY	BRK FR FENDER STAY	1	
	51409	51409-LCD3-E00	STAY FR FENDER	STAY FR FENDER	1	
**	51500	51500-LCD3-E00	FORK ASSY LH FR	FORK ASSY LH FR	1	
	53200	53200-LCD3-E00	STEM COMP STRG	STEM COMP STRG	1	
	53211	53211-GFY6-940	RACE STRG TOP CONE	RACE STRG TOP CONE	1	
	53212	53212-2L50-011	RACE (STRG BOTTOM) CONE	RACE (STRG BOTTOM) CONE	1	
	53214	53214-2L50-001	DUST SEAL STRG	DUST SEAL STRG	1	
	53215	53215-2L50-001	WASHER STRG HEAD DUST	WASHER STRG HEAD DUST	1	
**	61100	61100-LCD3-E00	FENDER FR	FENDER FR	1	
	90302	90302-GFY6-901	BOLT WASH 5*12	BOLT WASH 5*12	1	
	91014	91014-LLJ3-E00	CAGE STEERING TOP #5	CAGE STEERING TOP #5	1	
	91015	91015-LLJ3-E00	CAGE STEERING BOT #8	CAGE STEERING BOT #8	1	
	93903-24260	93903-24260	SCREW TAPPING 4*10	SCREW TAPPING 4*10	1	
	93903-25260	93903-25260	SCREW TAPPING 5*12	SCREW TAPPING 5*12	2	
	94050	94050-06060	NUT FLANGE 6MM	NUT FLANGE 6MM	2	
	95801	95801-08040-06	BOLT FLANGE 8x40 (G)	BOLT FLANGE 8x40 (G)	4	
	96001	96001-06012-08	BOLT FLANGE SH 6*12	BOLT FLANGE SH 6*12	2	

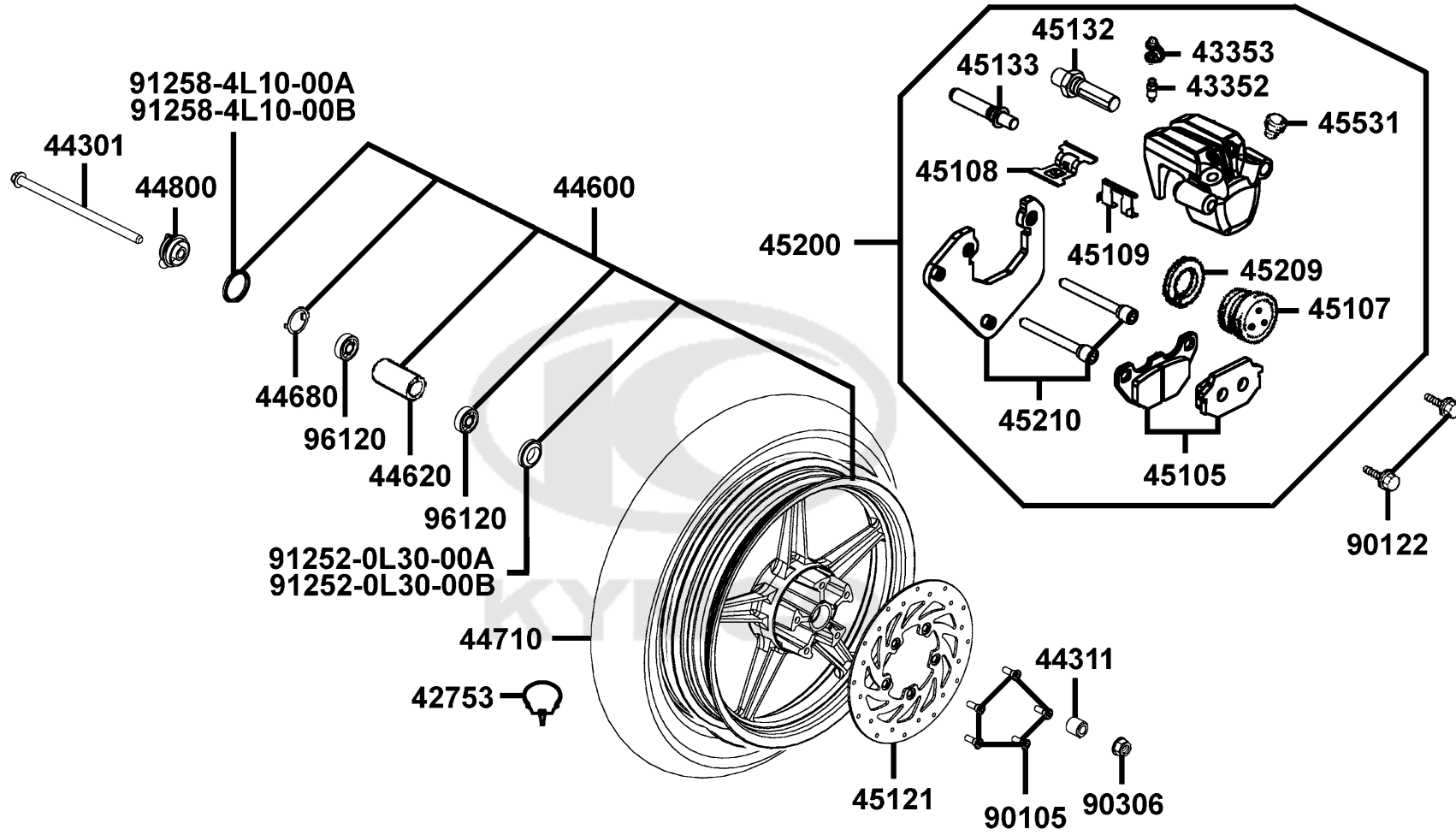




Sales mark	Ref no	Part no	Description	Reg description	Regd no	F07
	42753	42753-KNBN-90B	VALVE RIM (TR412)	VALVE RIM (TR412)	1	
	43352	43352-5H68-004	SCREW BLEEDER	SCREW BLEEDER	1	
	43353	43353-4A61-77A	CAP BLEEDER	CAP BLEEDER	1	
	44301	44301-KXCX-900	AXLE FR WHEEL	AXLE FR WHEEL	1	
	44311	44311-KHB4-900	COLLAR FR WHEEL SIDE	COLLAR FR WHEEL SIDE	1	
**	44600	44600-LCD3-305	WHEEL SET FR	WHEEL SET FR	1	
	44620	44620-KFLF-930	COLLAR FR DIST	COLLAR FR DIST	1	
	44680	44680-4L10-001	RETAINER GEAR BOX	RETAINER GEAR BOX	1	
	44710	44710-LCD3-E0A	TIRE ASSY FR /KENDA	TIRE ASSY FR /KENDA	1	
	44800	44800-KFA6-900	GEAR BOX ASSY SPDMT	GEAR BOX ASSY SPDMT	1	
	45105	45105-KFA6-305	PAD COMP	PAD COMP	1	
	45107	45107-KFA6-900	PISTON	PISTON	1	
	45108	45108-KFA6-900	SPRING PAD	SPRING PAD	1	
	45109	45109-KFA6-900	DUST SEAL	DUST SEAL	1	
	45121	45121-LCD3-E00	DISK FR BRAKE	DISK FR BRAKE	1	
	45132	45132-KFA6-900	BUSH BOOTPIN	BUSH BOOTPIN	1	
	45133	45133-KFA6-900	BOTT B	BOTT B	1	
**	45200	45200-LCD3-E00	CALIPER ASSY FR LH	CALIPER ASSY FR LH	1	
	45209	45209-KFA6-900	SEAL PISTON	SEAL PISTON	1	
	45210	45210-LCD3-305	BRACKET L	BRACKET L	1	

F07

Front Wheel

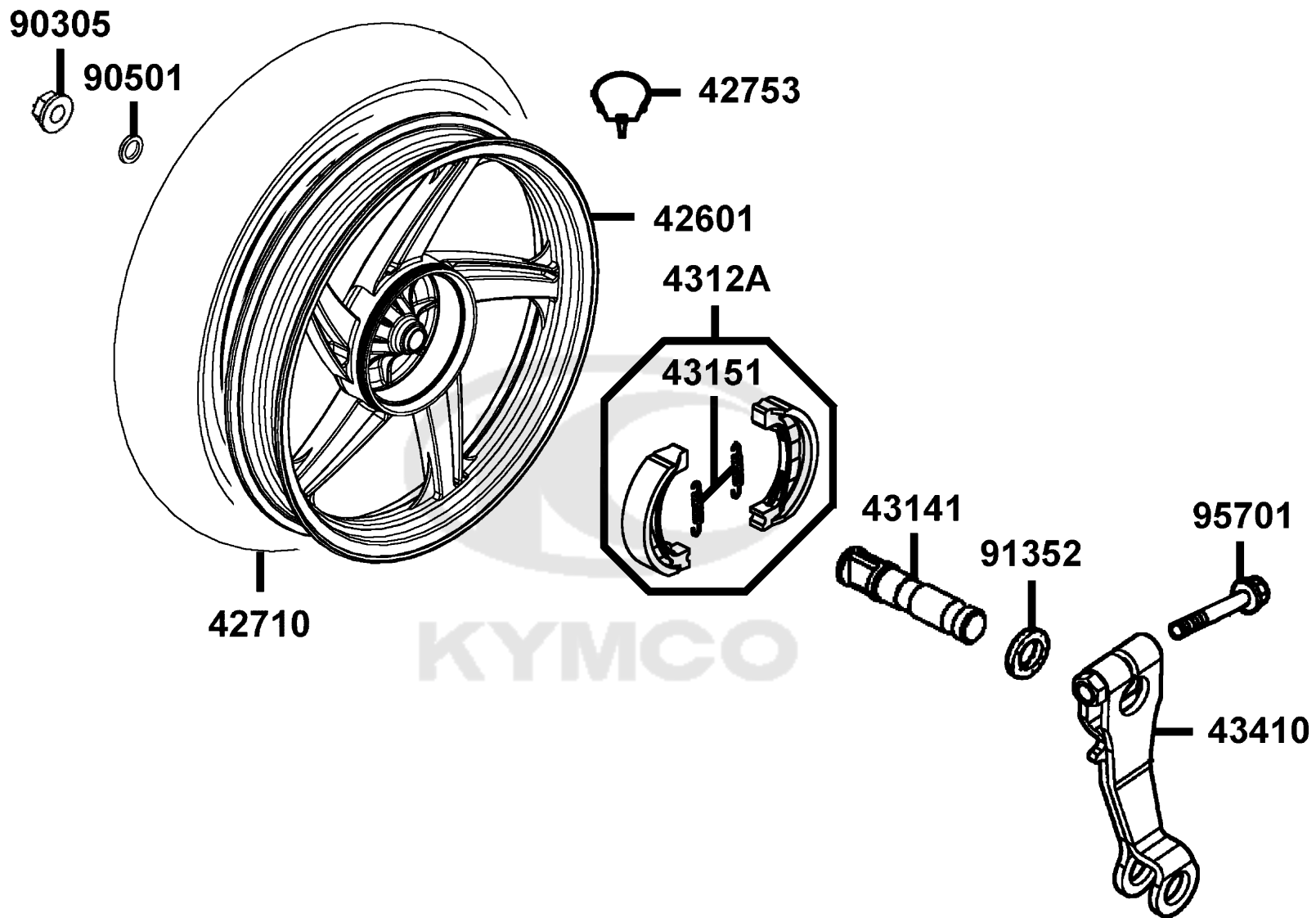


Sales mark	Ref no	Part no	Description	Reg description	Regd no	<b>F07</b>
90105		90105-KCR3-001	BOLT FR DISK 8*24	BOLT FR DISK 8*24	5	
90122		90122-KEBE-900	BOLT FLANGE 8X32	BOLT FLANGE 8X32	2	
90306		90306-KLF0-004-SY	NUT FLANGE 12MM	NUT FLANGE 12MM	1	
91252-0L30-00A		91252-0L30-00A	OIL SEAL 23*37*7	OIL SEAL 23*37*7	1	
91252-0L30-00B		91252-0L30-00B	OIL SEAL WHEEL 23*37*7	OIL SEAL WHEEL 23*37*7	1	
91258-4L10-00A		91258-4L10-00A	SEAL DUST 40*50*5	SEAL DUST 40*50*5	1	
91258-4L10-00B		91258-4L10-00B	DUST SEAL 40*50*5	DUST SEAL 40*50*5	1	
96120		96120-63010-10	BEARING BALL RADIAL 6301	BEARING BALL RADIAL 6301	2	

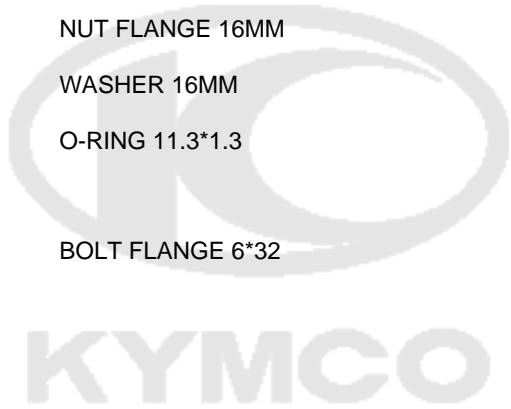


F08

Rear Wheel

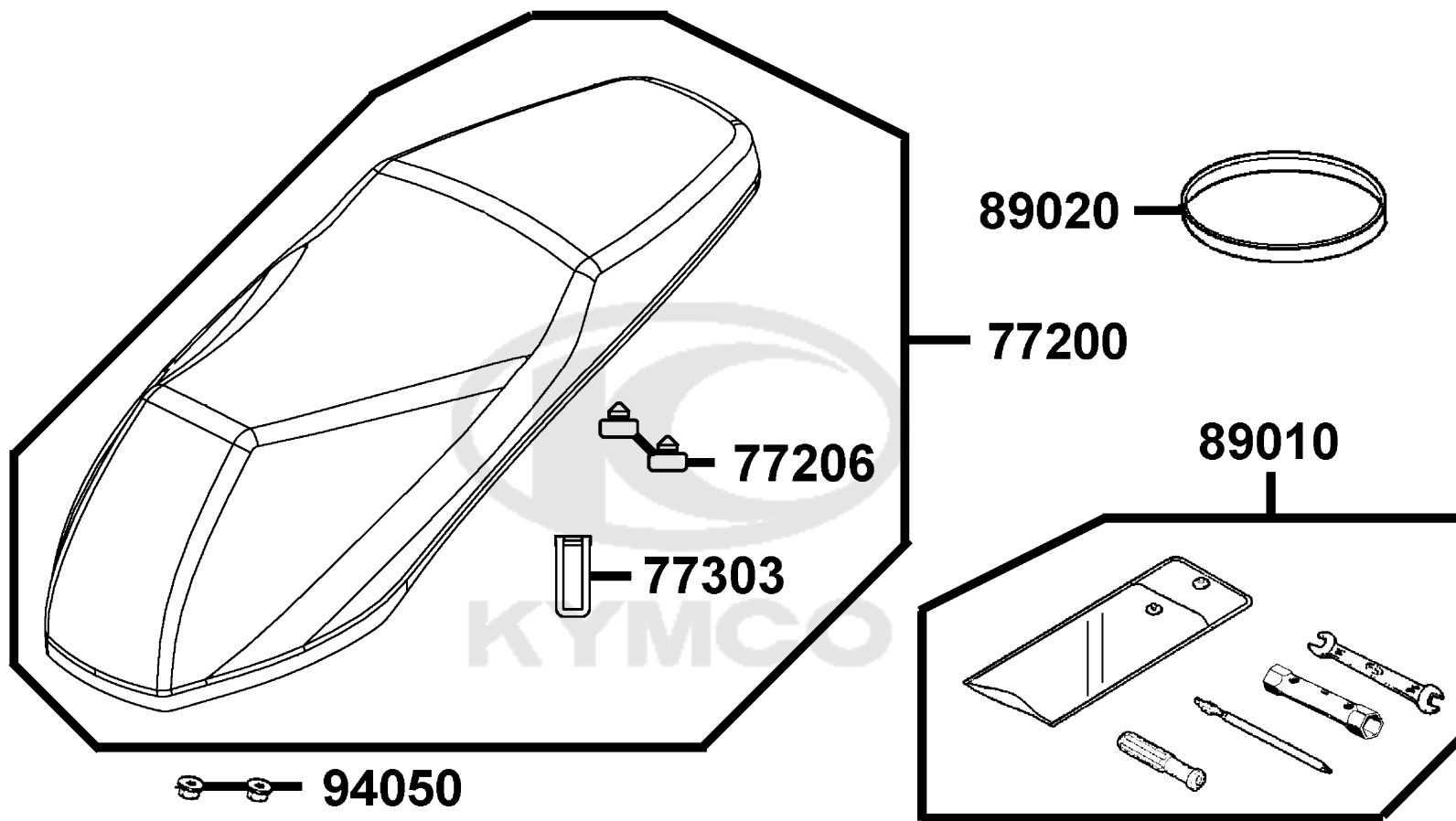


Sales mark	Ref no	Part no	Description	Reg description	Regd no	<b>F08</b>
**	42601	42601-LCD3-E00	WHEEL COMP RR CAST	WHEEL COMP RR CAST	1	
	42710	42710-LCD1-E0A	TIRE ASSY RR /KENDA	TIRE ASSY RR /KENDA	1	
	42753	42753-KNBN-90B	VALVE RIM (TR412)	VALVE RIM (TR412)	1	
	4312A	4312A-KUDU-900	SHOE ASSY RR BRAKE	SHOE ASSY RR BRAKE	1	
	43141	43141-KFA6-900	CAM RR BRK	CAM RR BRK	1	
	43151	43151-KGM7-961	SPRING BRAKE SHOE	SPRING BRAKE SHOE	2	
	43410	43410-KFA6-900	ARM COMP RR BRAKE	ARM COMP RR BRAKE	1	
	90305	90305-KNBN-90B	NUT FLANGE 16MM	NUT FLANGE 16MM	1	
	90501	90501-KNBN-901	WASHER 16MM	WASHER 16MM	1	
	91352	91352-KHG8-83B	O-RING 11.3*1.3	O-RING 11.3*1.3	1	
	95701	95701-06032-08	BOLT FLANGE 6*32	BOLT FLANGE 6*32	1	



F09

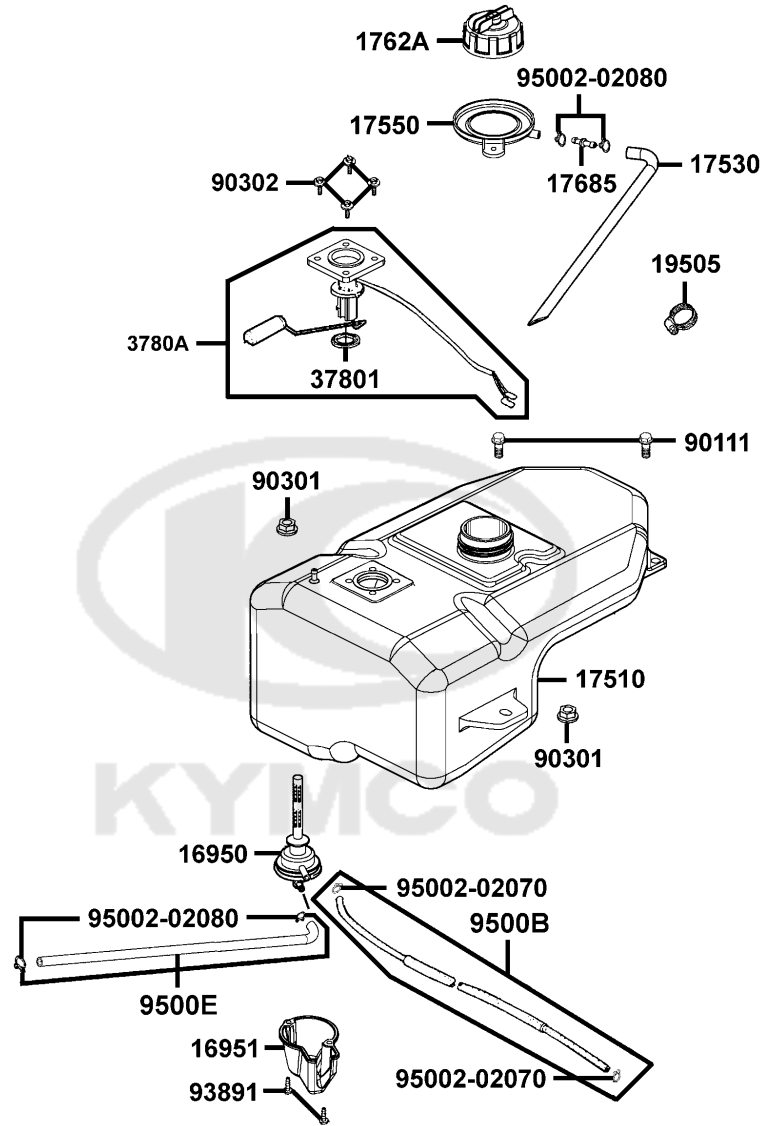
Seat



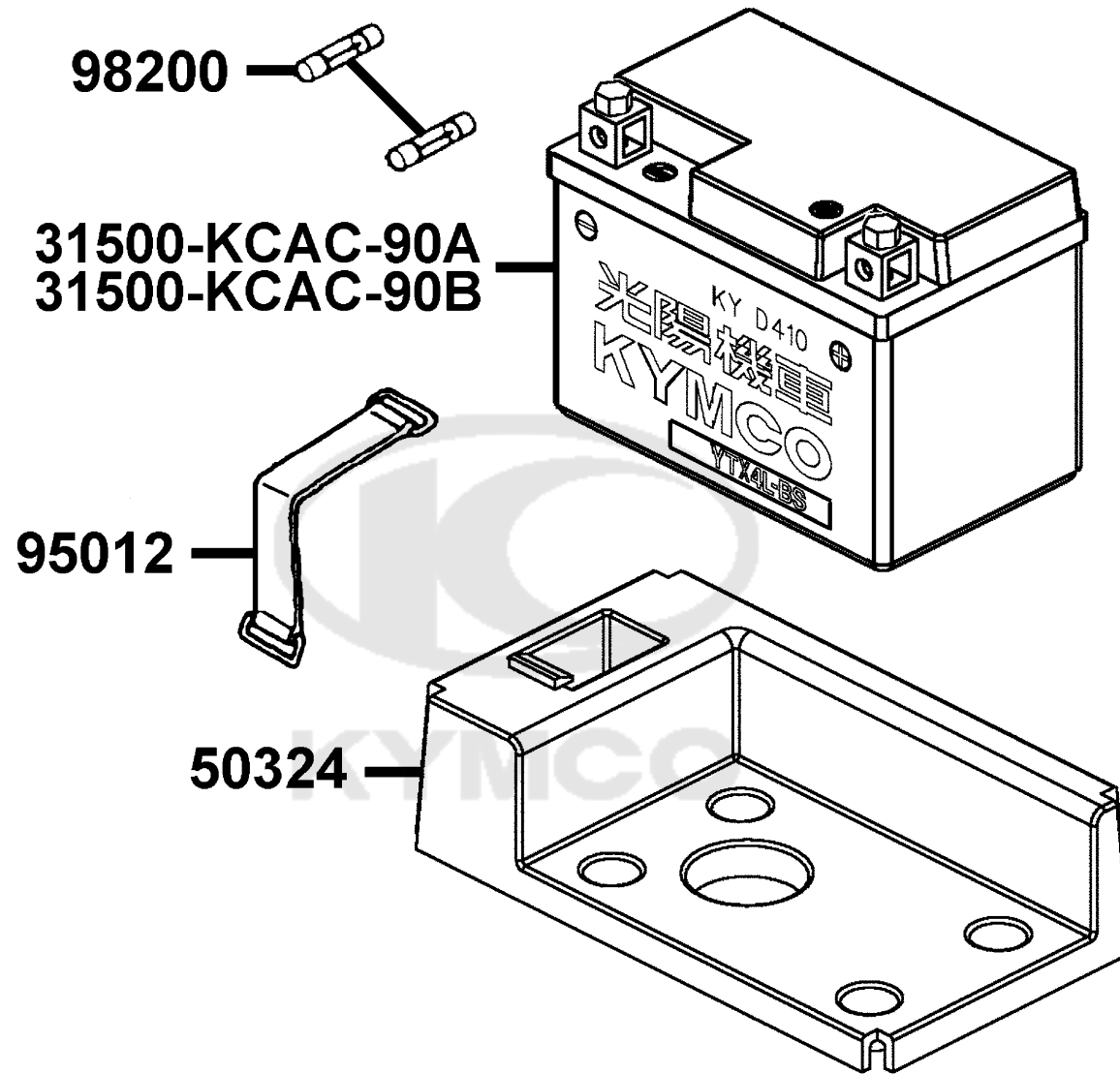
Sales mark	Ref no	Part no	Description	Reg description	Regd no	<b>F09</b>
**	77200	77200-LCD3-E00	SEAT ASSY	SEAT ASSY	1	
	77206	77206-KGBG-900	RUBBER SEAT CUSHION	RUBBER SEAT CUSHION	2	
	77303	77303-LCD3-E00	HOOK SEAT LOCK	HOOK SEAT LOCK	2	
	89010	89010-GGS7-C00	TOOL SET	TOOL SET	1	
	89020	89020-KKC4-900	BAND TOOL SET	BAND TOOL SET	1	
	94050	94050-06080	NUT FLANGE 6MM	NUT FLANGE 6MM	2	







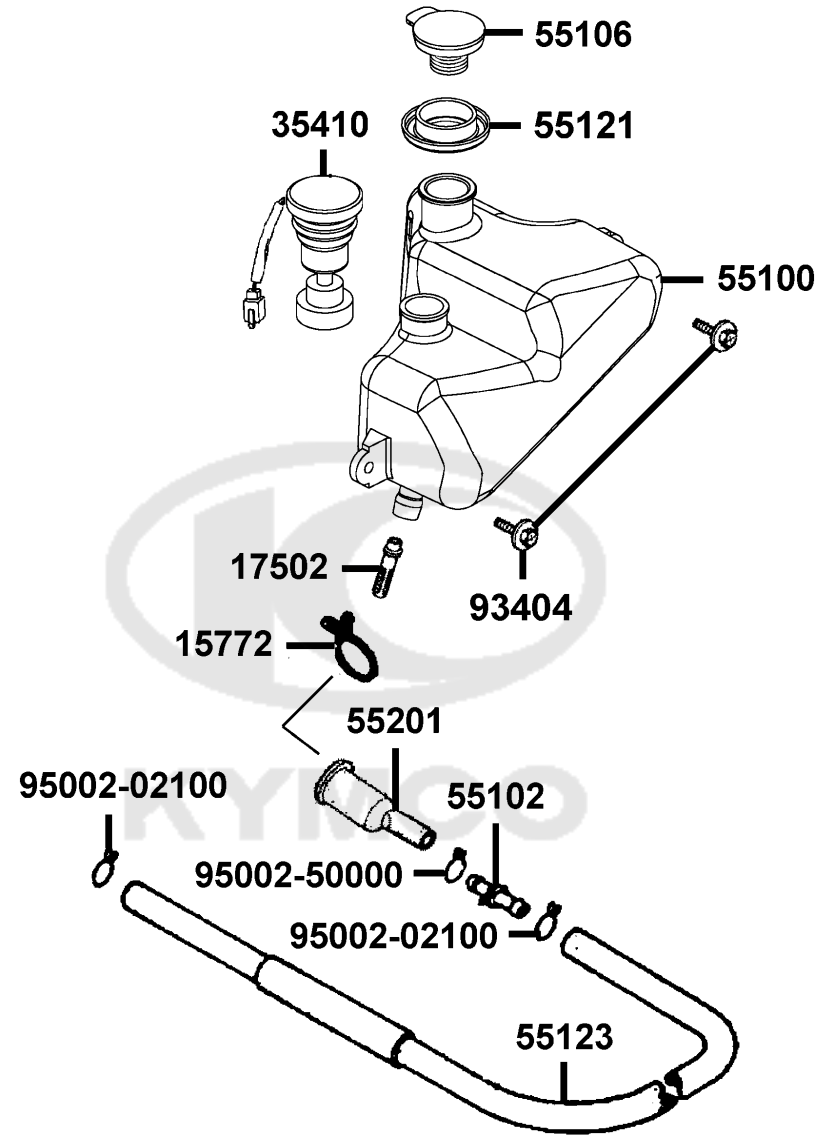
Sales mark	Ref no	Part no	Description	Reg description	Regd no	F10
	16950	16950-KHB4-900	AUTO COCK ASSY FUEL	AUTO COCK ASSY FUEL	1	
	16951	16951-LCD3-E00	COVER FUEL AUTO COCK	COVER FUEL AUTO COCK	1	
	17510	17510-LCD3-E00	TANK COMP FUEL	TANK COMP FUEL	1	
	17530	17530-LCD3-E00	TUBE ASSY FUEL DRAIN	TUBE ASSY FUEL DRAIN	1	
	17550	17550-KFA6-900	TRAY FUEL CAP	TRAY FUEL CAP	1	
	1762A	1762A-KFA6-900	CAP ASSY FUEL FILLER	CAP ASSY FUEL FILLER	1	
	17685	17685-KZCZ-900	JOINT TUBE	JOINT TUBE	1	
	19505	19505-LBC6-900	CLAMP A WATER HOSE	CLAMP A WATER HOSE	1	
	37801	37801-LLJ3-E00	PACKING BASE	PACKING BASE	1	
	3780A	3780A-LCD3-E00	FUEL UNIT ASSY	FUEL UNIT ASSY	1	
	90111	90111-1G47-001	BOLT FLANGE 6*17	BOLT FLANGE 6*17	2	
	90301	90301-6D34-671	NUT FLANGE 6MM	NUT FLANGE 6MM	2	
	90302	90302-GFY6-901	BOLT WASH 5*12	BOLT WASH 5*12	4	
	93891	93891-05012-06	SCREW WASHER 5*12	SCREW WASHER 5*12	2	
	95002-02070	95002-02070	CLIP B7 PORT TUBE	CLIP B7 PORT TUBE	2	
	95002-02080	95002-02080	CLIP B8 CHAMBER TUBE	CLIP B8 CHAMBER TUBE	4	
	9500B	9500B-LCD1-E00	TUBE ASSY VACUUM	TUBE ASSY VACUUM	1	
	9500E	9500E-KXCX-900	TUBE ASSY FUEL	TUBE ASSY FUEL	1	



Sales mark	Ref no	Part no	Description	Reg description	Regd no	<b>F11</b>
------------	--------	---------	-------------	-----------------	---------	------------

	31500-KCAC-90A	31500-KCAC-90A	BATTERY YTX4L-BS	BATTERY YTX4L-BS	1	
	31500-KCAC-90B	31500-KCAC-90B	BATTERY GTX4L-BS	BATTERY GTX4L-BS	1	
50324		50324-LCD1-E00	CASE BATTERY PLUG	CASE BATTERY PLUG	1	
95012		95012-KED9-900	BAND BATTERY	BAND BATTERY	1	
98200		98200-10700	FUSE A7	FUSE A7	2	

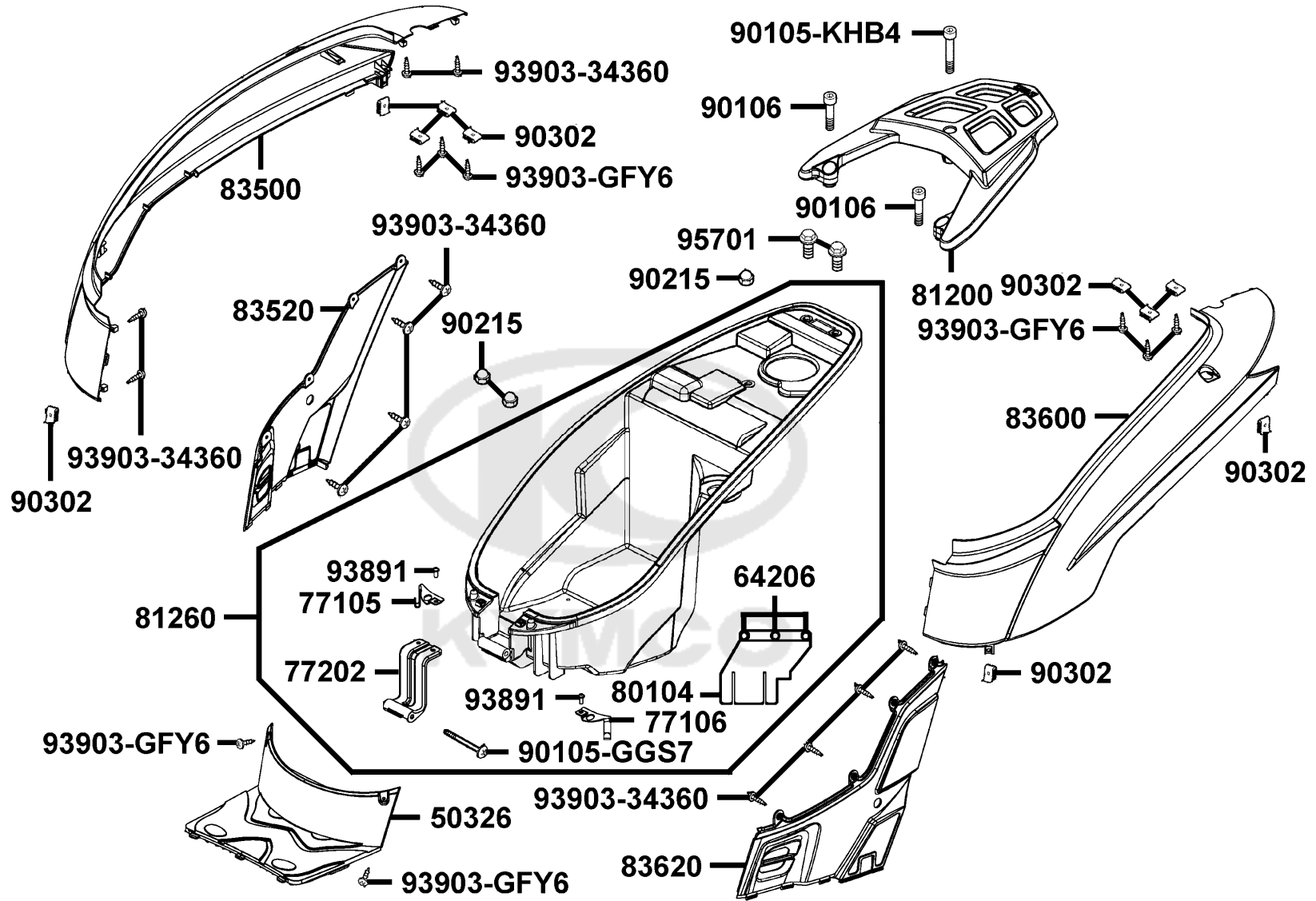




Sales mark	Ref no	Part no	Description	Reg description	Regd no	F12
15772		15772-5A51-001	CLIP BREATHER TUBE	CLIP BREATHER TUBE	1	
17502		17502-1G87-001	OIL STRAINER	OIL STRAINER	1	
35410		35410-GAR1-900	SW ASSY OIL LEVEL	SW ASSY OIL LEVEL	1	
55100		55100-LCD1-E00	TANK OIL	TANK OIL	1	
55102		55102-1F66-001	JOINT OIL TUBE	JOINT OIL TUBE	1	
55106		55106-KEB7-900	CAP TANK OIL	CAP TANK OIL	1	
55121		55121-LCD1-E00	RUBBER OIL GUIDE	RUBBER OIL GUIDE	1	
55123		55123-LCD1-E00	TUBE 5.3 OIL	TUBE 5.3 OIL	1	
55201		55201-GHC8-001	JOINT OIL STRAINER	JOINT OIL STRAINER	1	
93404		93404-06016-06	BOLT WASHER 6*16	BOLT WASHER 6*16	2	
95002-02100		95002-02100	CLIP B10 TUBE	CLIP B10 TUBE	2	
95002-50000		95002-50000	CLIP C9 TUBE	CLIP C9 TUBE	1	

F13

Body Cover Luggage Box

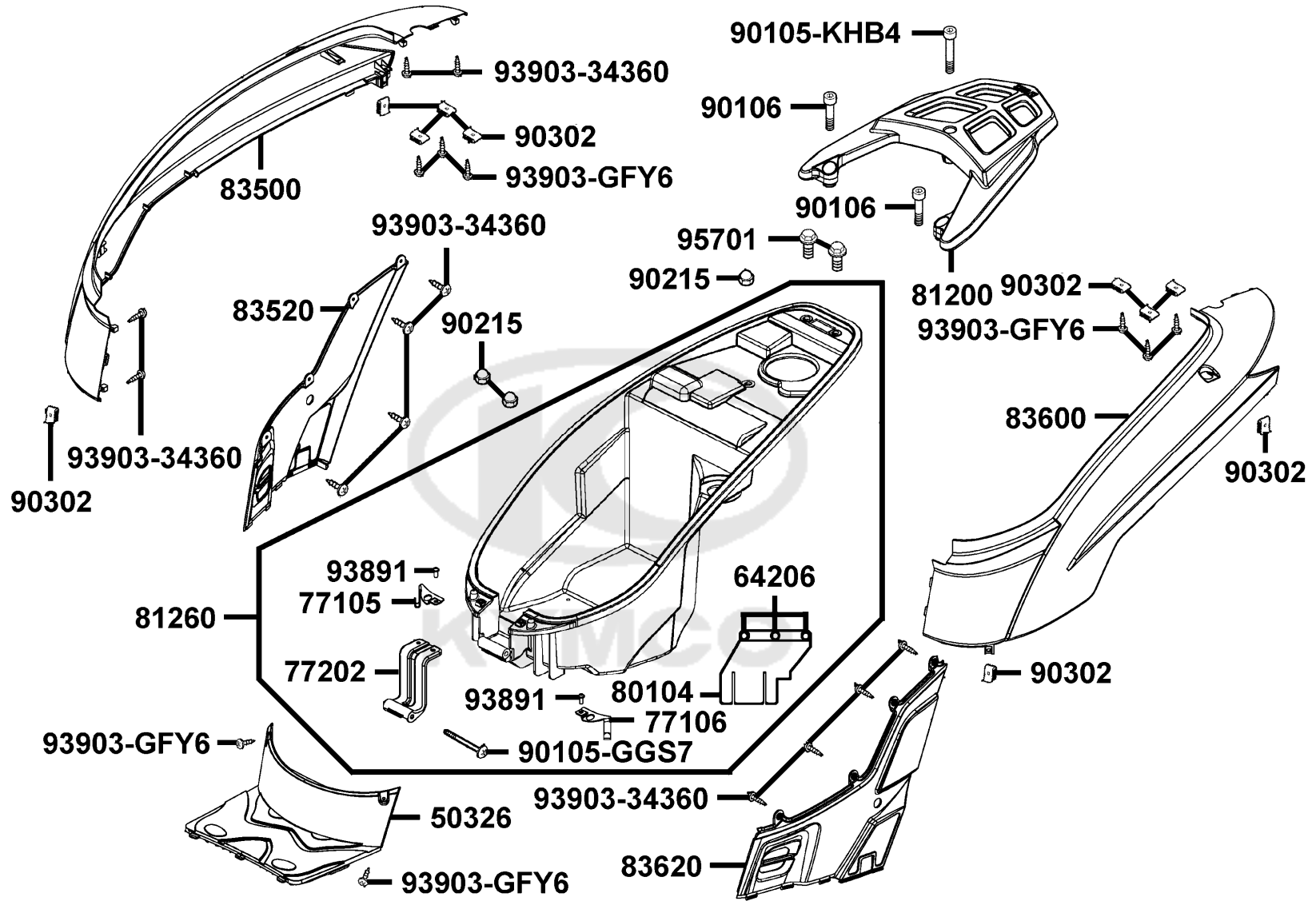


Sales mark	Ref no	Part no	Description	Reg description	Regd no	F13
	50326	50326-LCD3-E00	COVER BATTERY	COVER BATTERY	1	
	64206	64206-MLJ0-001	NUT SPEED 4MM	NUT SPEED 4MM	3	
	77105	77105-LCD3-E00	HOOK R HELMET	HOOK R HELMET	1	
	77106	77106-LCD3-E00	HOOK L HELMET	HOOK L HELMET	1	
	77202	77202-KHB4-900	HINGE SEAT	HINGE SEAT	1	
	80104	80104-LCD1-E00	PLATE C SPLASH GUARD	PLATE C SPLASH GUARD	1	
**	81200	81200-LCD3-E00	CARRIER RR	CARRIER RR	1	
	81260	81260-LCD1-E00	BOX ASSY LUGGAGE	BOX ASSY LUGGAGE	1	
**	83500	83500-LCD3-E00	COVER R BODY	COVER R BODY	1	
**	83520	83520-LCD3-E00	COVER R SIDE	COVER R SIDE	1	
**	83600	83600-LCD3-E00	COVER L BODY	COVER L BODY	1	
**	83620	83620-LCD3-E00	COVER L SIDE	COVER L SIDE	1	
	90105-GGS7	90105-GGS7-001	PIN HINGE	PIN HINGE	1	
	90105-KHB4	90105-KHB4-900	BOLT WASH M8*60	BOLT WASH M8*60	1	
	90106	90106-KUDU-900	BOLT SPECIAL 8*26	BOLT SPECIAL 8*26	2	
	90215	90215-KKC4-900	NUT CAP 6MM	NUT CAP 6MM	3	
	90302	90302-SDA4-004	NUT SPRING 4MM	NUT SPRING 4MM	10	
	93891	93891-05012-06	SCREW WASHER 5*12	SCREW WASHER 5*12	2	
	93903-34360	93903-34360	SCREW TAPPING 4*12	SCREW TAPPING 4*12	12	
	93903-GFY6	93903-GFY6-900	SCREW TAPP 4*14	SCREW TAPP 4*14	8	



F13

Body Cover Luggage Box



Sales mark	Ref no	Part no	Description	Reg description	Regd no	<b>F13</b>
------------	--------	---------	-------------	-----------------	---------	------------

95701

95701-06012-08

BOLT FLANGE 6\*12

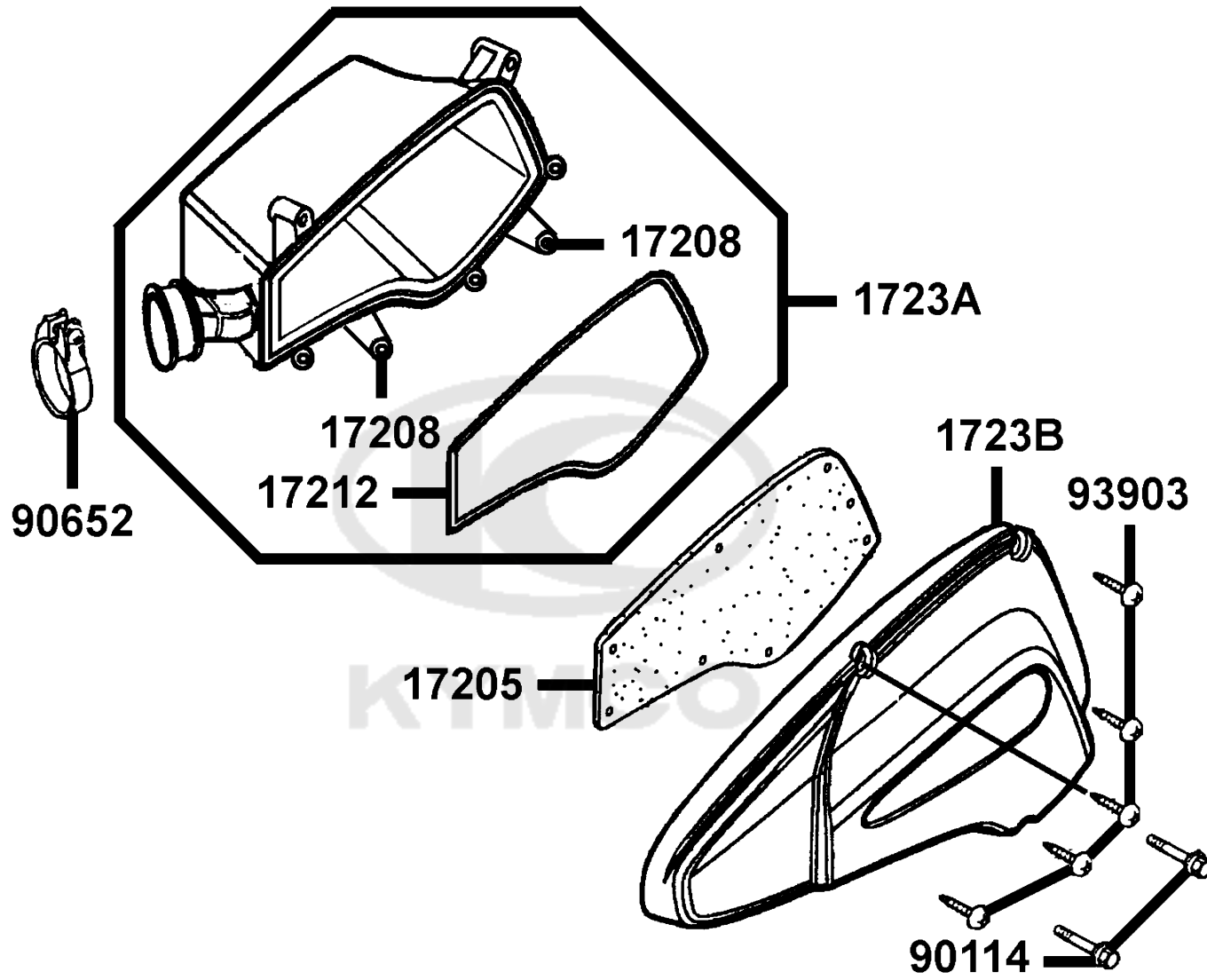
BOLT FLANGE 6\*12

2



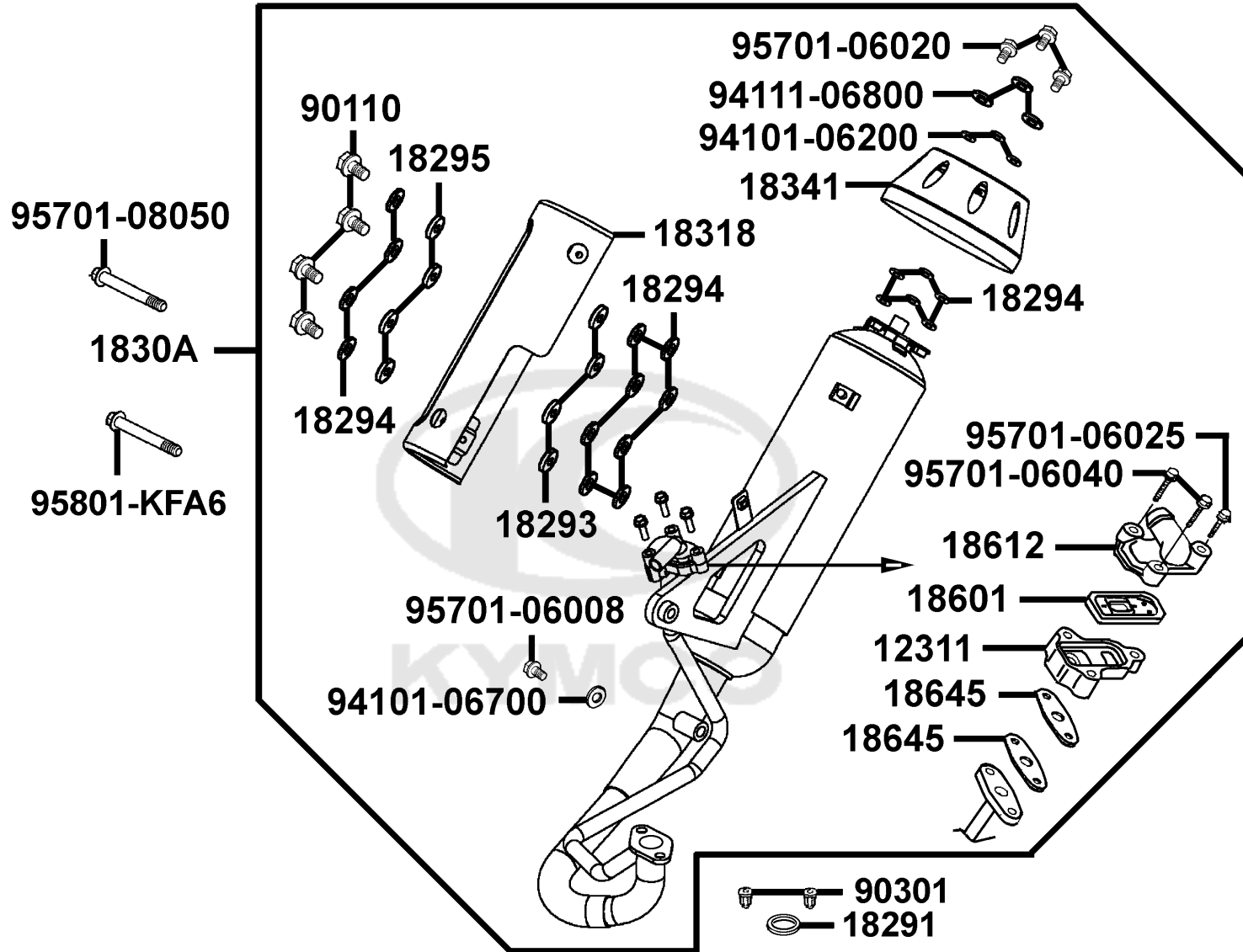
F14

Air Cleaner



Sales mark	Ref no	Part no	Description	Reg description	Regd no	<b>F14</b>
17205	17205-KFA6-900	17205-KFA6-900	ELEMENT AIR/C	ELEMENT AIR/C	1	
17208	17208-KEB7-900	17208-KEB7-900	COLLAR AIR/C SET	COLLAR AIR/C SET	2	
17212	17212-KFA6-900	17212-KFA6-900	SEAL AIR/C COVER	SEAL AIR/C COVER	1	
1723A	1723A-LCD1-E00	1723A-LCD1-E00	CASE ASSY AIR/C	CASE ASSY AIR/C	1	
1723B	1723B-LCD1-E00	1723B-LCD1-E00	COVER COMPAIR/C	COVER COMPAIR/C	1	
90114	90114-KXCX-900	90114-KXCX-900	BOLT FLANGE SH 6*12	BOLT FLANGE SH 6*12	2	
90652	90652-KTCT-900	90652-KTCT-900	BAND 44 AIR/C CONN TUBE	BAND 44 AIR/C CONN TUBE	1	
93903	93903-25460	93903-25460	SCREW TAPPING 5*20	SCREW TAPPING 5*20	5	

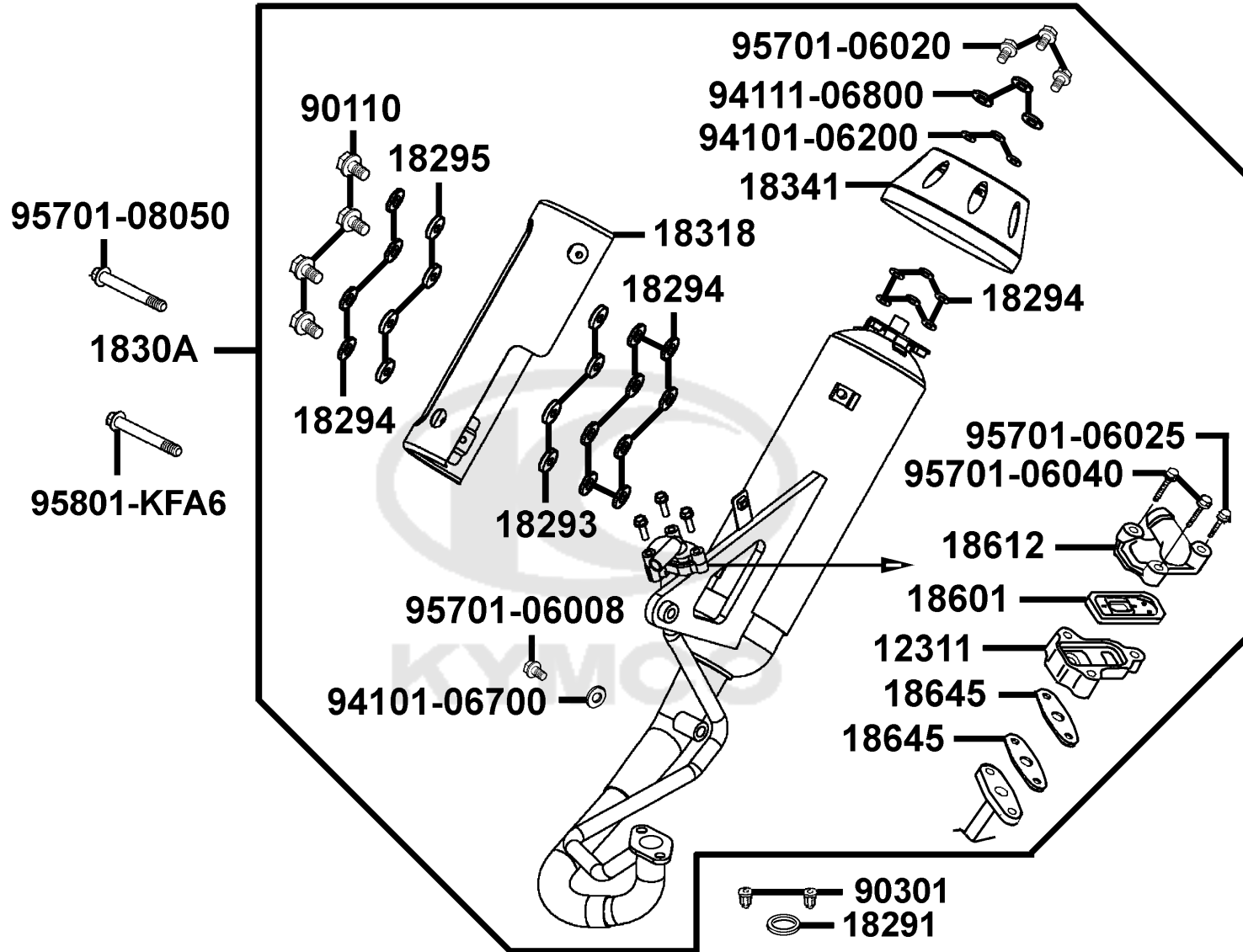




Sales mark	Ref no	Part no	Description	Reg description	Regd no	<b>F15</b>
	12311	12311-KFB5-900	BODY REED VALVE	BODY REED VALVE	1	
	18291	18291-LBA7-900	GASKET EXH PIPE	GASKET EXH PIPE	1	
	18293	18293-KECE-900	RUBBER A PROTECTOR	RUBBER A PROTECTOR	4	
	18294	18294-KEBE-900	PACKING PROTECTOR	PACKING PROTECTOR	18	
	18295	18295-KECE-900	COLLAR 6MM	COLLAR 6MM	4	
**	1830A	1830A-LCD1-E01	MUFFLER ASSY EXH	MUFFLER ASSY EXH	1	
	18318	18318-LCD1-E00	PROTECTOR MUFFLER	PROTECTOR MUFFLER	1	
	18341	18341-LCD1-E00	TAIL CAP MUFFLER	TAIL CAP MUFFLER	1	
	18601	18601-KFB5-900	VALVE COMP REED	VALVE COMP REED	1	
	18612	18612-KFB5-900	COVER REED VALVE	COVER REED VALVE	1	
	18645	18645-KGB5-EZ0	GASKET A/I PIPE	GASKET A/I PIPE	2	
	90110	90110-LCD1-E00	SCREW SPECIAL 6*25	SCREW SPECIAL 6*25	4	
	90301	90301-KGBG-900	NUT CAP 6MM	NUT CAP 6MM	2	
	94101-06200	94101-06200	WASHER PLAIN 6MM	WASHER PLAIN 6MM	3	
	94101-06700	94101-06700	WASHER PLAIN 6MM	WASHER PLAIN 6MM	1	
	94111	94111-06800	WASHER SPRING 6MM	WASHER SPRING 6MM	3	
	95701-06008	95701-06008-06	BOLT FLANGE 6*8	BOLT FLANGE 6*8	1	
	95701-06020	95701-06020-06	BOLT FLANGE 6X20	BOLT FLANGE 6X20	3	
	95701-06025	95701-06025-06	BOLT FLANGE 6*25	BOLT FLANGE 6*25	1	
	95701-06040	95701-06040-06	BOLT FLANGE 6*40	BOLT FLANGE 6*40	2	

F15

Exhaust Muffler

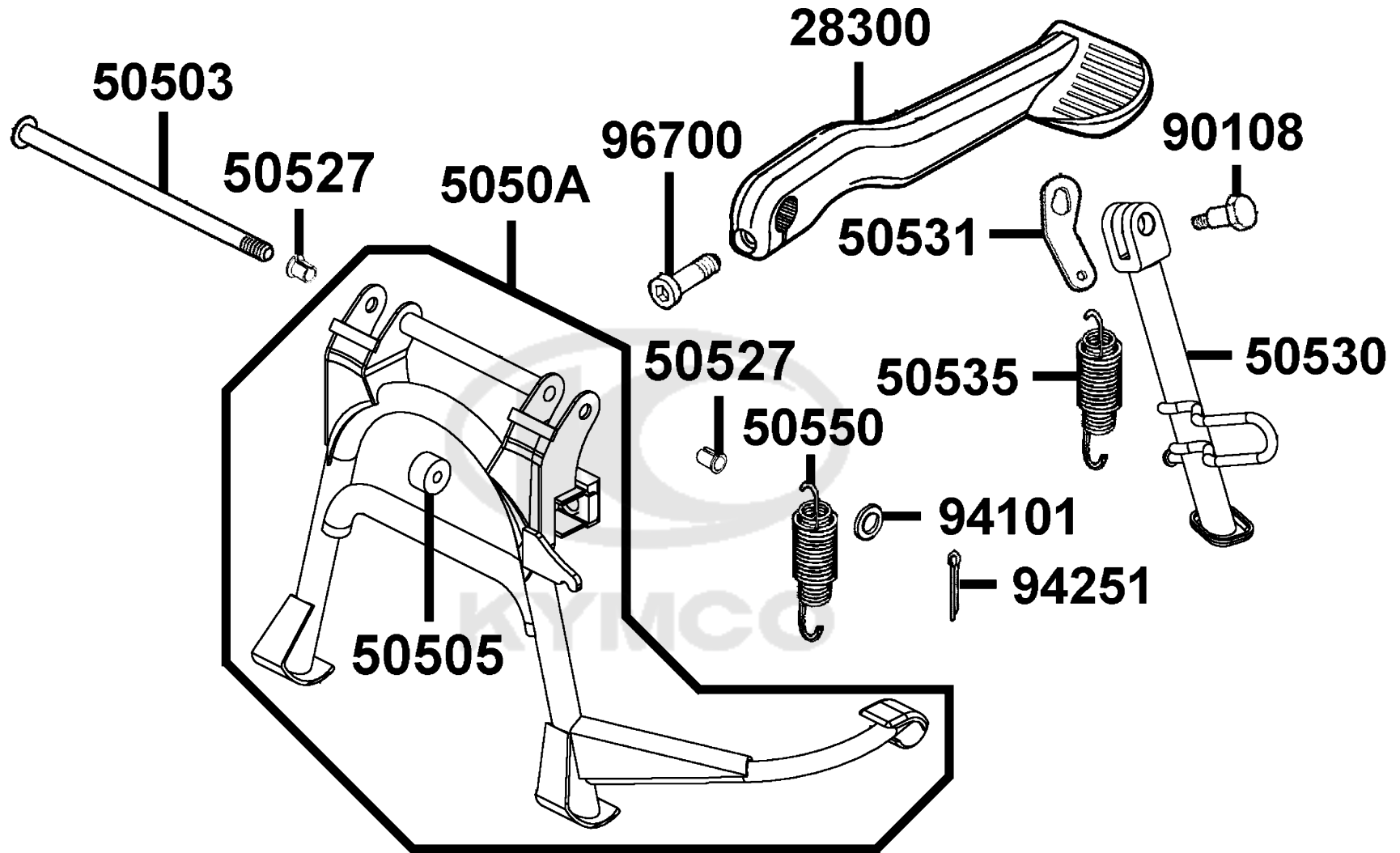


Sales mark	Ref no	Part no	Description	Reg description	Regd no	<b>F15</b>
------------	--------	---------	-------------	-----------------	---------	------------

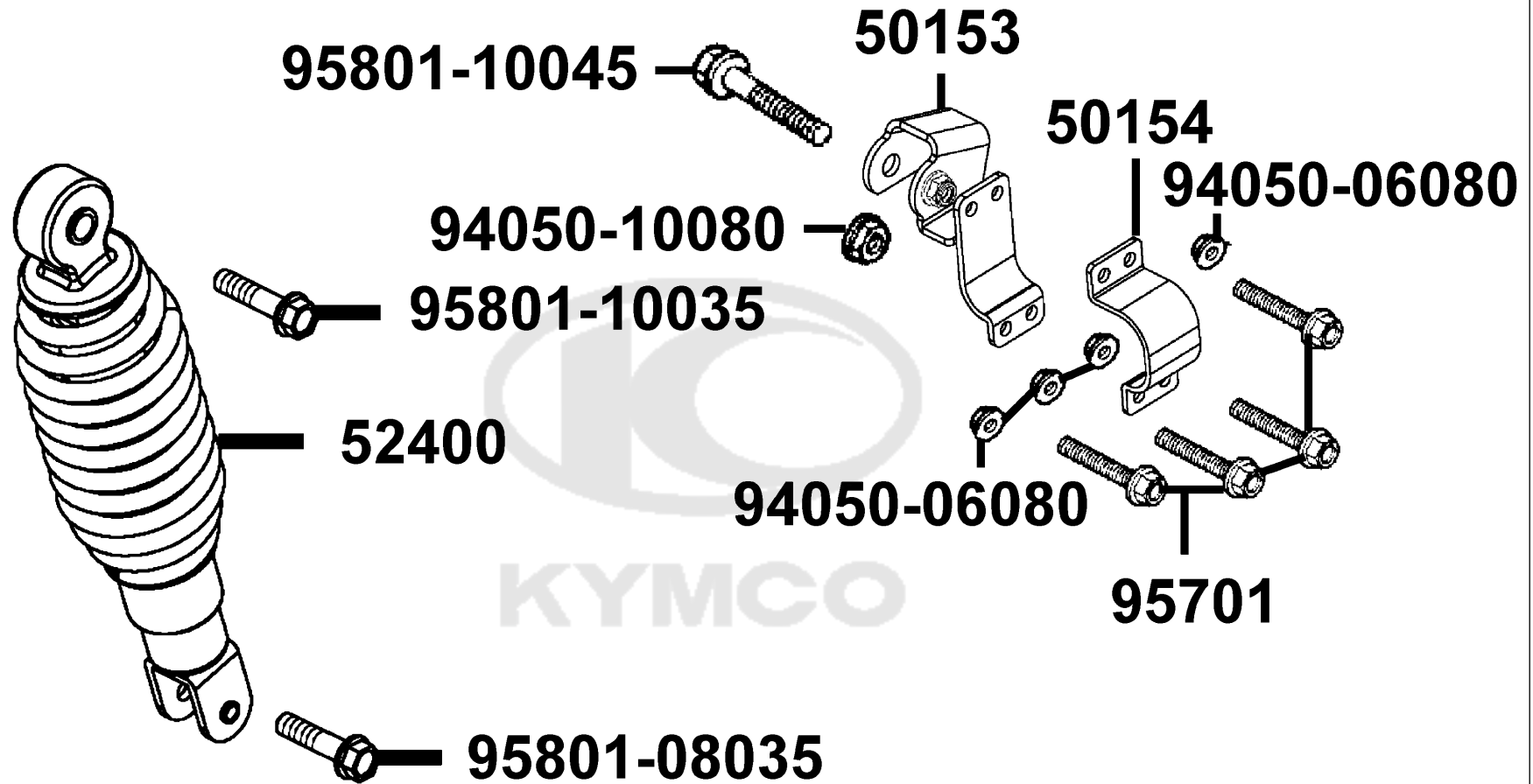
95801-08050		95801-08050-06	BOLT FLANGE 8*50	BOLT FLANGE 8*50	1	
95801-KFA6		95801-KFA6-E00	BOLT TROX 8*35	BOLT TROX 8*35	1	



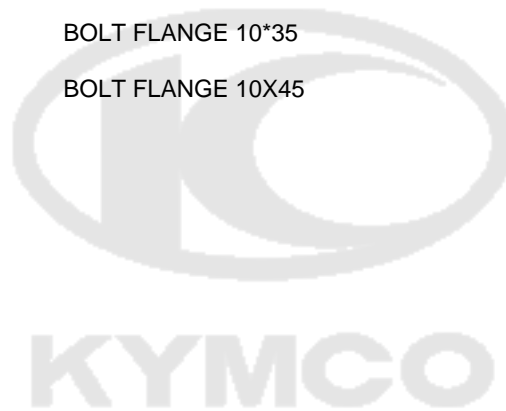




Sales mark	Ref no	Part no	Description	Reg description	Regd no	<b>F16</b>
28300		28300-KFA6-900	ARM ASSY KICK STARTER	ARM ASSY KICK STARTER	1	
50503		50503-KEB7-900	SHAFT MAIN STAND	SHAFT MAIN STAND	1	
50505		50505-KKD7-900	RUBBER STOPPER MAIN	RUBBER STOPPER MAIN	1	
5050A		5050A-LCD1-E00	STAND ASSY MAIN	STAND ASSY MAIN	1	
50527		50527-KED5-900	BUSH OILES	BUSH OILES	2	
50530		50530-LCD3-E00	BAR SIDE STAND	BAR SIDE STAND	1	
50531		50531-KEB7-E00	PLATE SPRING STOPPER	PLATE SPRING STOPPER	1	
50535		50535-KEB7-E00	SPRING COMP SIDE STAND	SPRING COMP SIDE STAND	1	
50550		50550-KFA6-E00	SPG ASSY MAIN STAND	SPG ASSY MAIN STAND	1	
90108		90108-KFA6-E00	SCREW SIDE STAND PIVOT	SCREW SIDE STAND PIVOT	1	
94101		94101-08600	WASH PLAIN 8MM	WASH PLAIN 8MM	1	
94251		94251-08400	PIN LOCK 8MM	PIN LOCK 8MM	1	
96700		96700-KFA6-900	SOCKET BOLT 6*20	SOCKET BOLT 6*20	1	

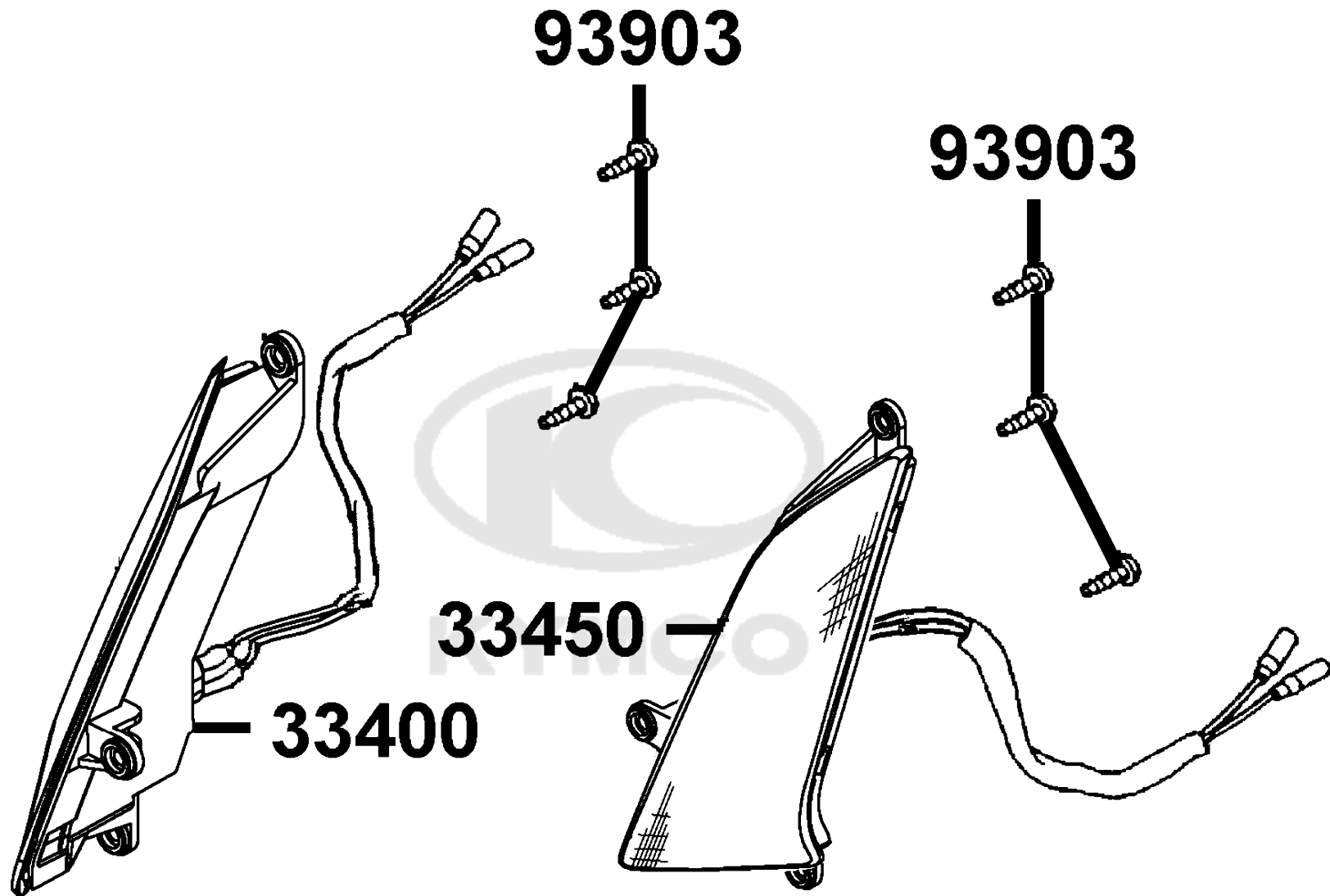


Sales mark	Ref no	Part no	Description	Reg description	Regd no	<b>F17</b>
	50153	50153-LCD1-305	BRKT A RR CUSHION	BRKT A RR CUSHION	1	
	50154	50154-LCD1-305	BRKT C RR CUSHION	BRKT C RR CUSHION	1	
**	52400	52400-LCD1-E00	CUSHION ASSY RR	CUSHION ASSY RR	1	
	94050-06080	94050-06080	NUT FLANGE 6MM	NUT FLANGE 6MM	4	
	94050-10080	94050-10080	NUT FLANGE 10MM	NUT FLANGE 10MM	1	
	95701	95701-06016-08	BOLT FLANGER 6*12	BOLT FLANGER 6*12	4	
	95801-08035	95801-08035-08	BOLT FLANGE 8*35	BOLT FLANGE 8*35	1	
	95801-10035	95801-10035-08	BOLT FLANGE 10*35	BOLT FLANGE 10*35	1	
	95801-10045	95801-10045-08	BOLT FLANGE 10X45	BOLT FLANGE 10X45	1	



F18

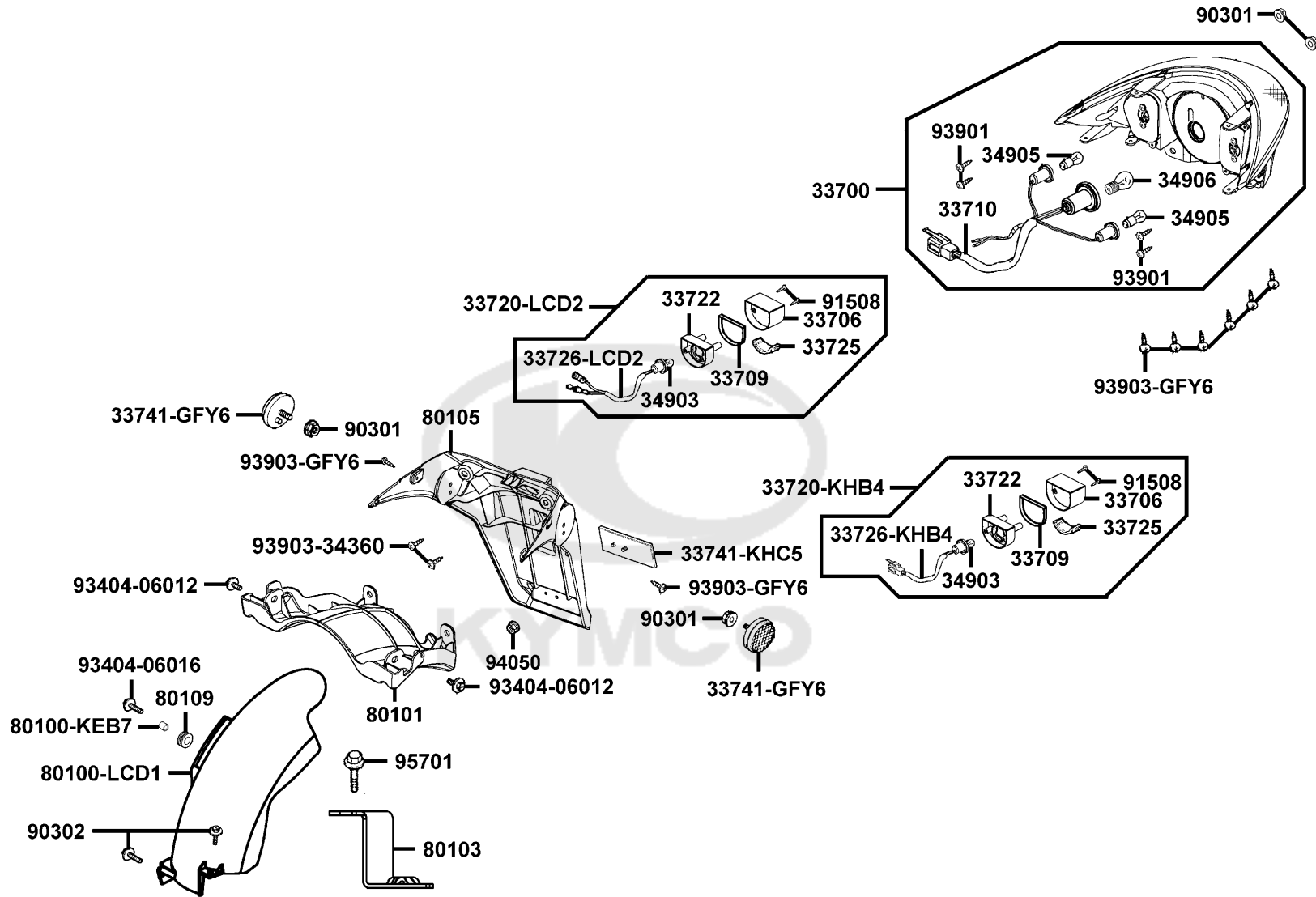
Winker



Sales mark	Ref no	Part no	Description	Reg description	Regd no	<b>F18</b>
------------	--------	---------	-------------	-----------------	---------	------------

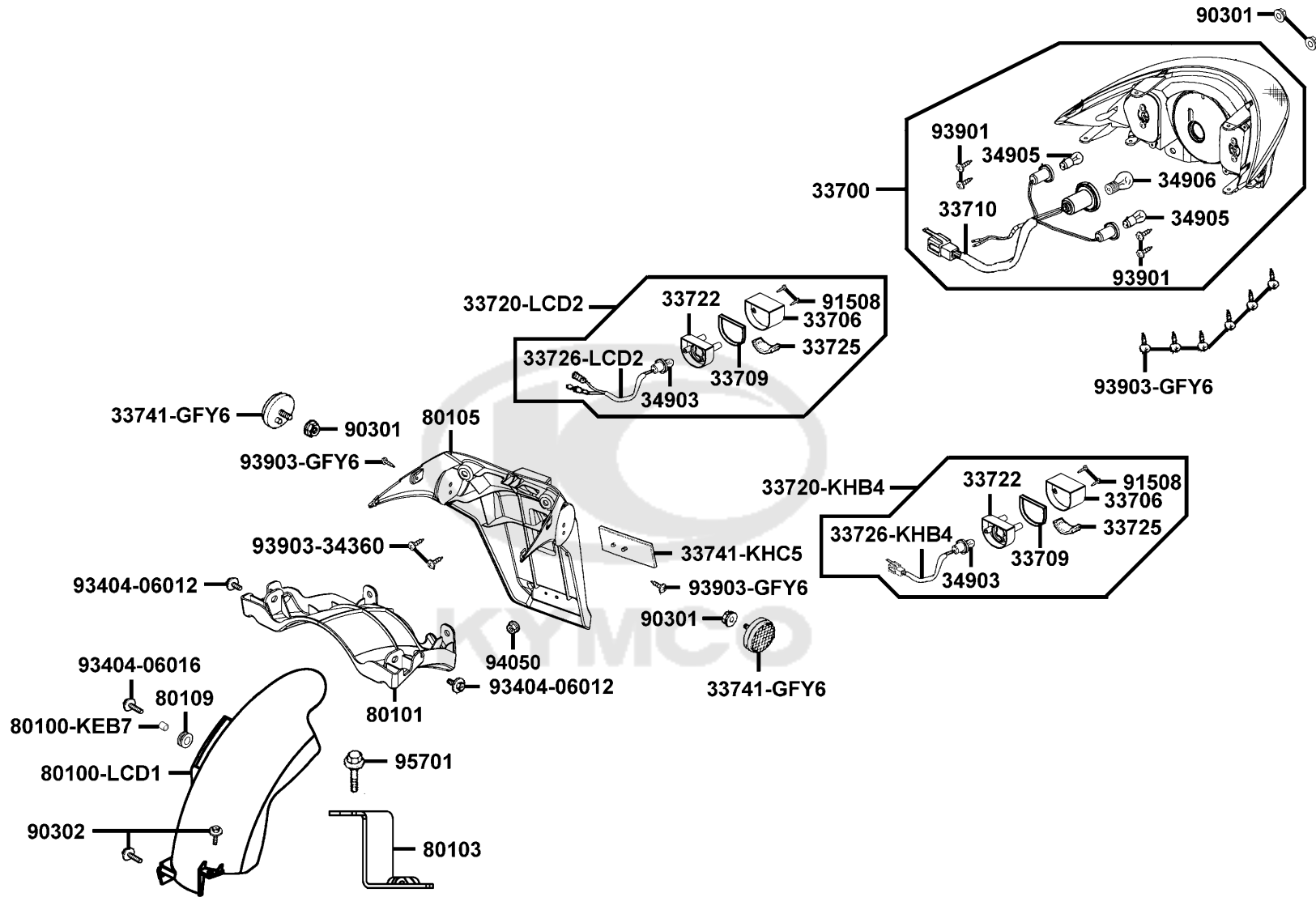
33400	33400-LCD3-E00	33400-LCD3-E00	WINKER ASSY R FR	WINKER ASSY R FR	1	
33450	33450-LCD3-E00	33450-LCD3-E00	WINKER ASSY L FR	WINKER ASSY L FR	1	
93903	93903-34360	93903-34360	SCREW TAPPING 4*12	SCREW TAPPING 4*12	6	



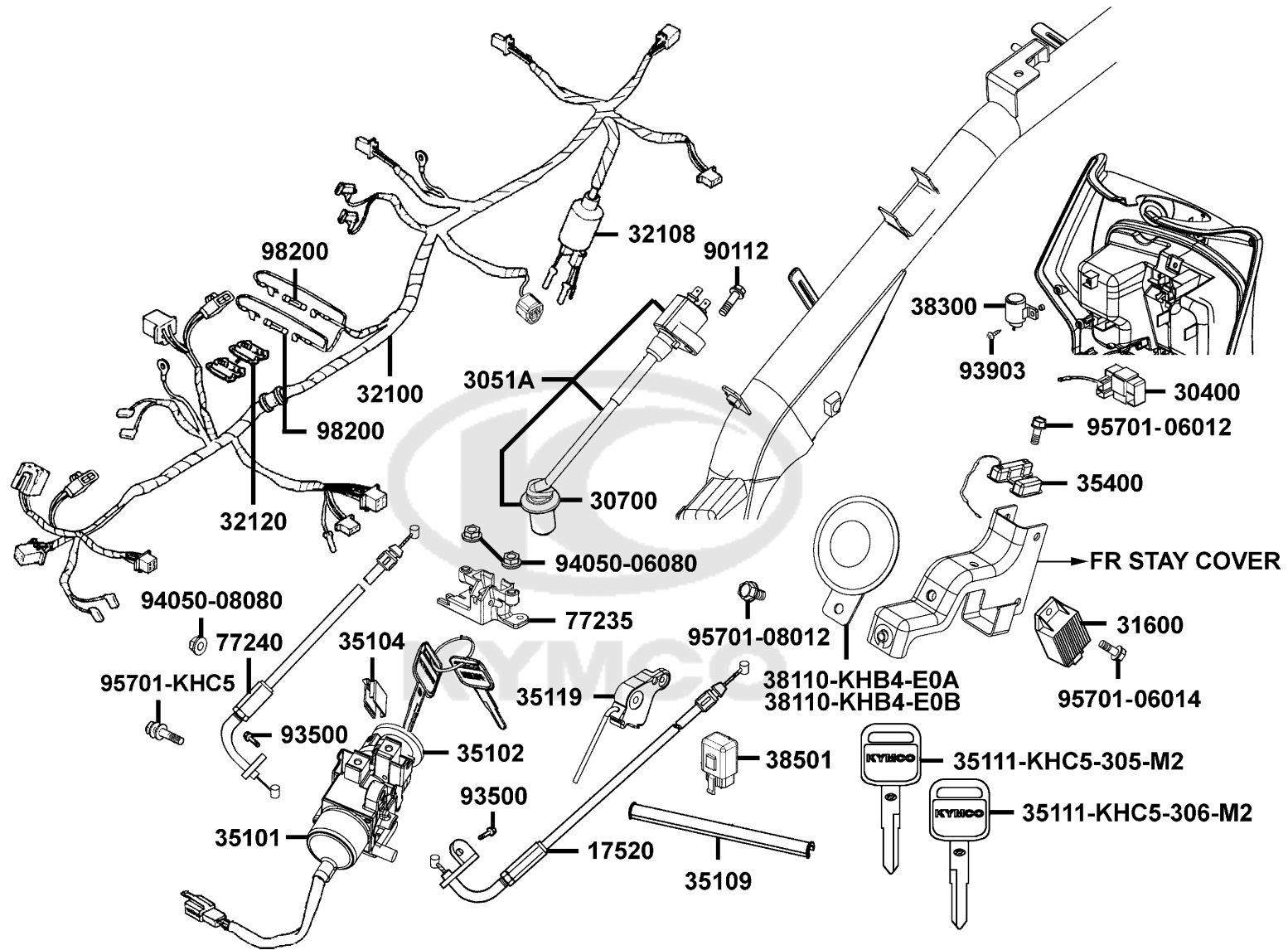


Sales mark	Ref no	Part no	Description	Reg description	Regd no	F19
	33700	33700-LCD1-E00	LIGHT ASSY TAIL	LIGHT ASSY TAIL	1	
	33706	33706-KHB4-E01	COVER LICENSE	COVER LICENSE	1	
	33709	33709-KBAB-003	PACKING LICENSE	PACKING LICENSE	1	
	33710	33710-LCD1-E00	SOCKET COMP	SOCKET COMP	1	
	33720-KHB4	33720-KHB4-E00	LIGHT ASSY LICENSE	LIGHT ASSY LICENSE	1	
	33720-LCD2	33720-LCD2-E00	LIGHT ASSY..LICENSE	LIGHT ASSY..LICENSE	1	
	33722	33722-KHB4-E00	BASE LICENSE	BASE LICENSE	1	
	33725	33725-KHB4-E00	LENS LICENSE	LENS LICENSE	1	
	33726-KHB4	33726-KHB4-E00	SCOKET COMP	SCOKET COMP	1	
	33726-LCD2	33726-LCD2-E00	SOCKET COMP	SOCKET COMP	1	
	33741-GFY6	33741-GFY6-C30	REFLEX REFLECTOR	REFLEX REFLECTOR	2	
	33741-KHC5	33741-KHC5-M00	REFLEX REFLECTOR	REFLEX REFLECTOR	1	
	34903	34903-KPCP-900	BULB POSITION	BULB POSITION	1	
	34905	34905-LCA5-E00	BULB WINKER	BULB WINKER	2	
	34906	34906-KPCP-900	BULB TAIL & STOP 12V21W/5W	BULB TAIL & STOP 12V21W/5W	1	
	80100-KEB7	80100-KEB7-900	COLLAR RUBBER	COLLAR RUBBER	1	
	80100-LCD1	80100-LCD1-E00	FENDER RR TIRE	FENDER RR TIRE	1	
	80101	80101-LCD3-E00	FENDER A REAR	FENDER A REAR	1	
	80103	80103-LCD1-E00	SATY B RR TIRE FENDER	SATY B RR TIRE FENDER	1	
	80105	80105-LCD3-E00	FENDER REAR	FENDER REAR	1	

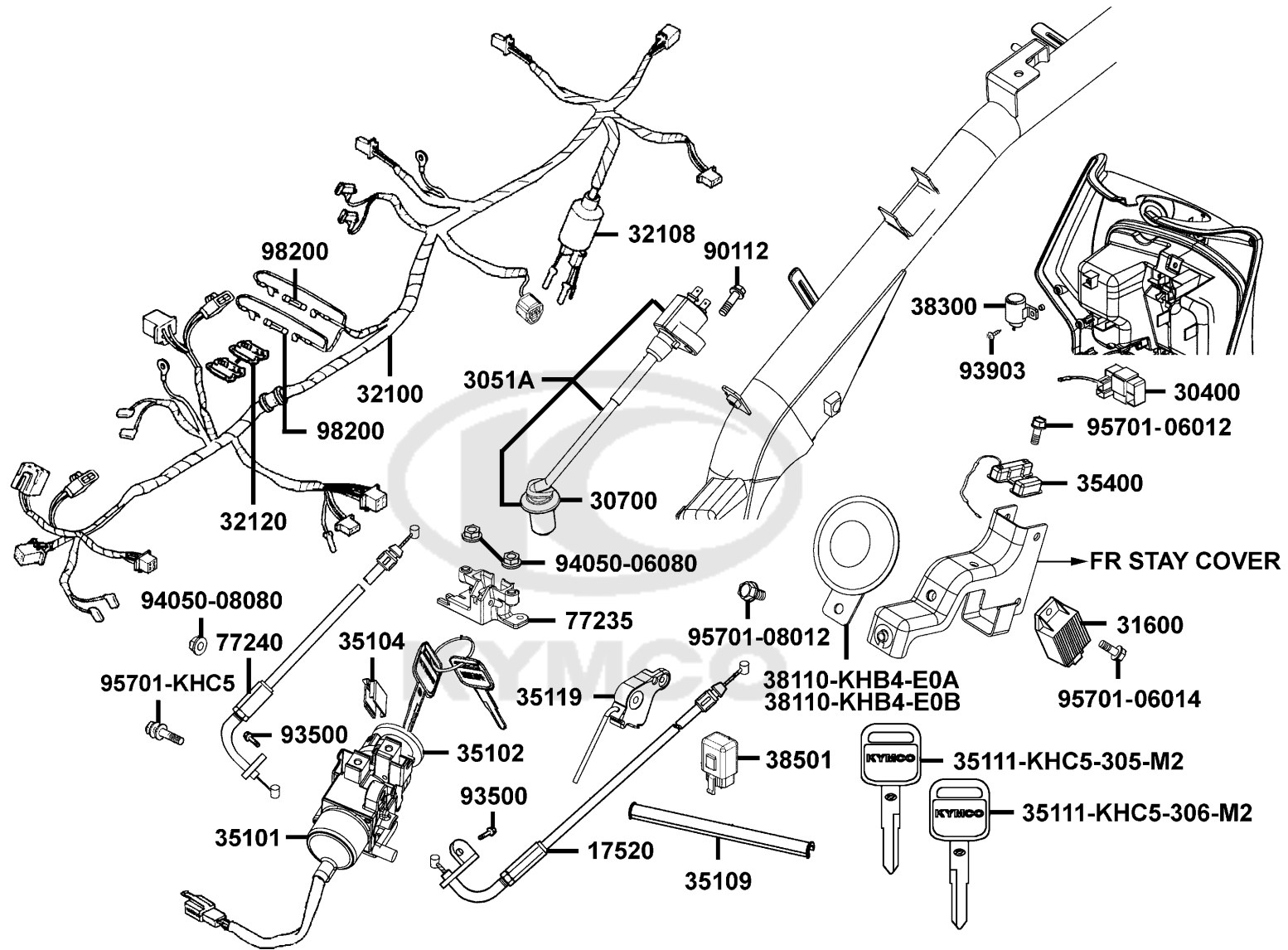




Sales mark	Ref no	Part no	Description	Reg description	Regd no	<b>F19</b>
80109		80109-KEB7-900	RUBBER RR FENDER B	RUBBER RR FENDER B	1	
90301		90301-6D34-671	NUT FLANGE 6MM	NUT FLANGE 6MM	4	
90302		90302-GFY6-901	BOLT WASH 5*12	BOLT WASH 5*12	2	
91508		91508-KGV7-67A	SCREW TAPPING 4*14	SCREW TAPPING 4*14	2	
93404-06012		93404-06012-08	BOLT WASHER 6*12	BOLT WASHER 6*12	2	
93404-06016		93404-06016-06	BOLT WASHER 6*16	BOLT WASHER 6*16	1	
93901		93901-32320	SCREW TAPPING 3*12	SCREW TAPPING 3*12	4	
93903-34360		93903-34360	SCREW TAPPING 4*12	SCREW TAPPING 4*12	2	
93903-GFY6		93903-GFY6-900	SCREW TAPP 4*14	SCREW TAPP 4*14	8	
94050		94050-05080	NUT FLANGE 5MM	NUT FLANGE 5MM	1	
95701		95701-06025-08	BOLT FLANGE 6*25	BOLT FLANGE 6*25	1	



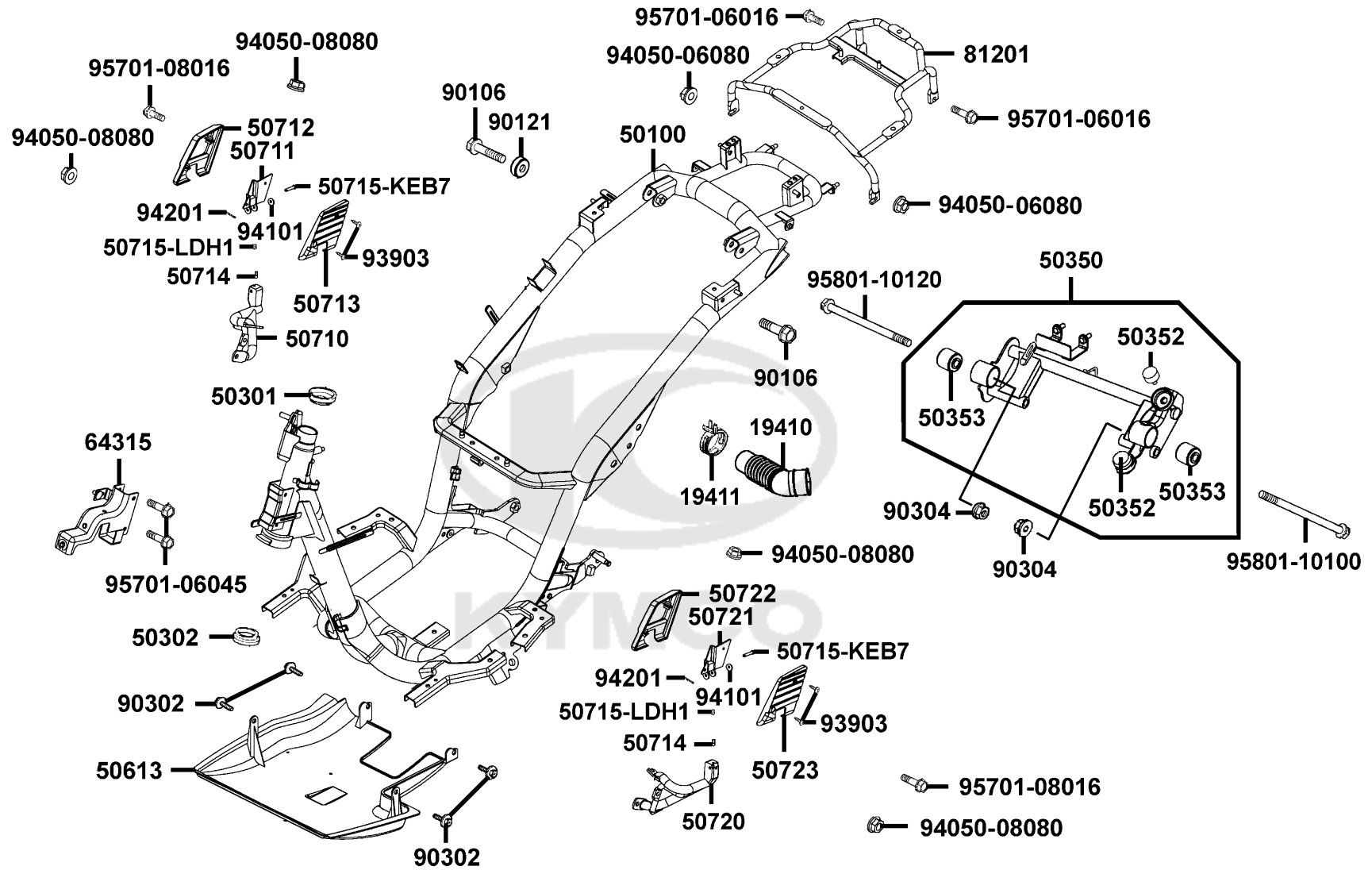
Sales mark	Ref no	Part no	Description	Reg description	Regd no	F20
	17520	17520-LCD3-E00	CABLE LID LOCK	CABLE LID LOCK	1	
	30400	30400-KFA6-900	UNIT ASSY CDI	UNIT ASSY CDI	1	
	3051A	3051A-KFA6-90A	COIL ASSY IGN	COIL ASSY IGN	1	
	30700	30700-KNBN-901	CAP ASSY NOISE SUPPR	CAP ASSY NOISE SUPPR	1	
	31600	31600-KUDU-900	REG REC COMP	REG REC COMP	1	
	32100	32100-LCD1-E00	HARNESS WIRE	HARNESS WIRE	1	
	32100	32100-LCD1-E01	HARNESS WIRE	HARNESS WIRE	1	
	32108	32108-GAR1-711	COVER HARNESS WIRE	COVER HARNESS WIRE	1	
	32120	32120-1E55-001	CASE FUSE 7A	CASE FUSE 7A	1	
	35101	35101-LCD3-325-M2	SW COMB & LOCK	SW COMB & LOCK	1	
	35102	35102-LCD3-E0B	COLLAR MAIN SW	COLLAR MAIN SW	1	
	35104	35104-LBC6-90A	PLATE COVER FUEL CAP CABLE	PLATE COVER FUEL CAP CABLE	1	
	35109	35109-LBC6-90B	PROTECTING COVER CABLE	PROTECTING COVER CABLE	1	
	35111-KHC5-305-M2	35111-KHC5-305-M2	KEY COMP (R TANGENT PLANE/TJ)	KEY COMP (R TANGENT PLANE/TJ)	2	
	35111-KHC5-306-M2	35111-KHC5-306-M2	KEY COMP (L TANGENT PLANE/TJ)	KEY COMP (L TANGENT PLANE/TJ)	2	
	35119	35119-LBC6-90B	COVER SEAT CABLE	COVER SEAT CABLE	1	
	35400	35400-KEB8-B00	RESISTOR COMP	RESISTOR COMP	1	
	38110-KHB4-E0A	38110-KHB4-E0A	HORN COMP	HORN COMP	1	
	38110-KHB4-E0B	38110-KHB4-E0B	HORN COMP	HORN COMP	1	
	38300	38300-LCB4-900	RELAY COMP WINKER	RELAY COMP WINKER	1	



Sales mark	Ref no	Part no	Description	Reg description	Regd no	<b>F20</b>
38501		38501-GBW2-902	RELAY COMP START	RELAY COMP START	1	
77235		77235-KGC4-E0B	SEAT CATCH	SEAT CATCH	1	
77240		77240-LCD3-E00	CABLE SEAT LOCK	CABLE SEAT LOCK	1	
90112		90112-KRDR-900	BOLT FLANGE 5*22	BOLT FLANGE 5*22	1	
93500		93500-04020-0G	SCREW PAN 4*20	SCREW PAN 4*20	1	
93903		93903-35320	SCREW TAPPING 5*16	SCREW TAPPING 5*16	1	
94050-06080		94050-06080	NUT FLANGE 6MM	NUT FLANGE 6MM	2	
94050-08080		94050-08080	NUT FLANGE 8MM	NUT FLANGE 8MM	1	
95701-06012		95701-06012-08	BOLT FLANGE 6*12	BOLT FLANGE 6*12	1	
95701-06014		95701-06014-08	BOLT FLANGE 6*14	BOLT FLANGE 6*14	1	
95701-08012		95701-08012-08	BOLT FLANGE 8X12	BOLT FLANGE 8X12	1	
95701-KHC5		95701-KHC5-E00	BOLT TORQUE 8*25	BOLT TORQUE 8*25	1	
98200		98200-10700	FUSE A7	FUSE A7	2	

F21

Frame Body

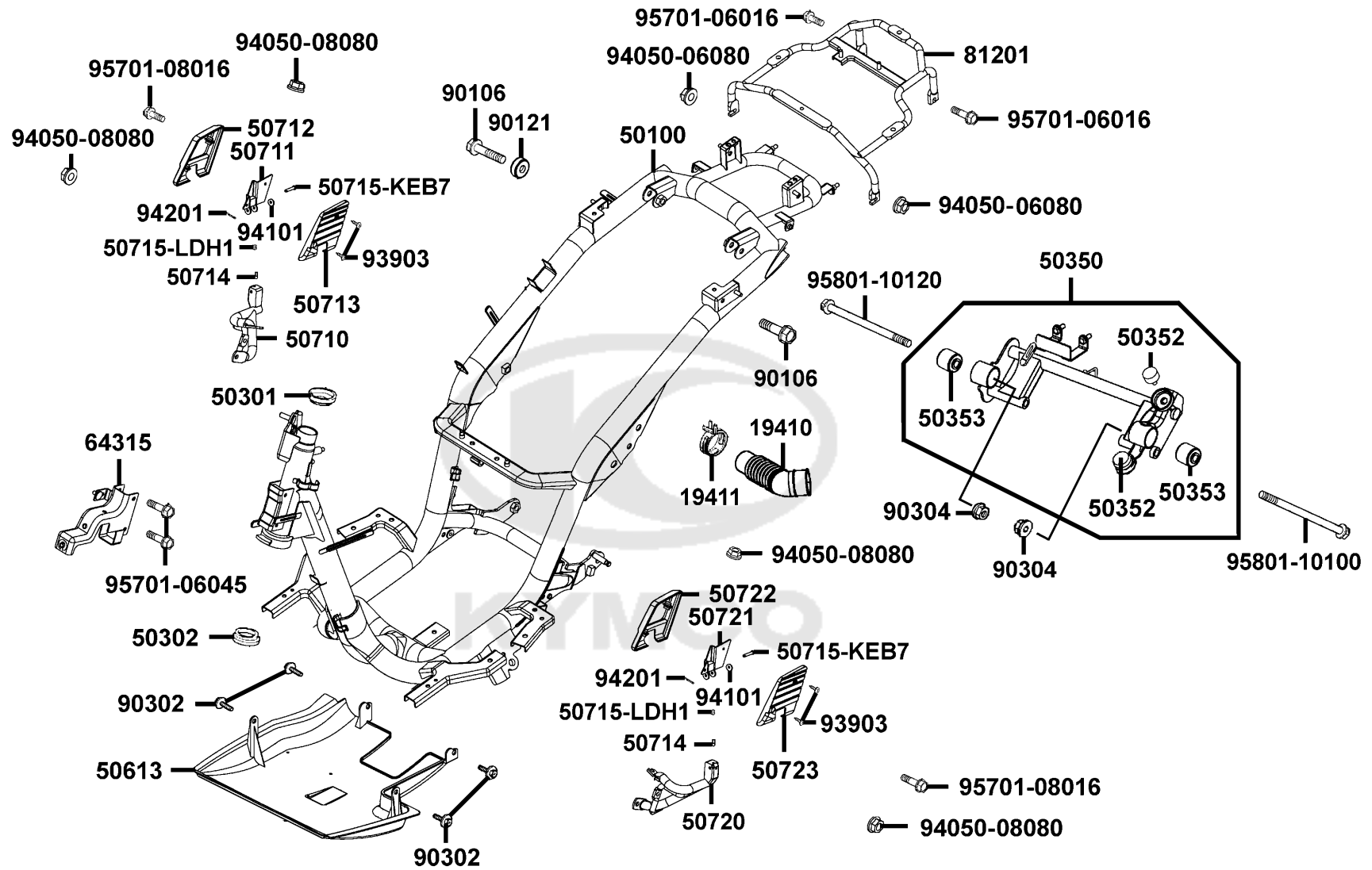


Sales mark	Ref no	Part no	Description	Reg description	Regd no	F21
	19410	19410-KFA6-900	HOSE COOLING	HOSE COOLING	1	
	19411	19411-KNBN-900	CLIP HOSE	CLIP HOSE	1	
	50100	50100-LCD1-E00	BODY COMP FRAME	BODY COMP FRAME	1	
	50301	50301-KGN7-671	RACE UP STRG BALL	RACE UP STRG BALL	1	
	50302	50302-2H68-011	RACE (STRG BOT) BALL	RACE (STRG BOT) BALL	1	
	50350	50350-LCD1-E00	ENG HANGER COMP	ENG HANGER COMP	1	
	50352	50352-GFY6-901	RUBBER STOPPER	RUBBER STOPPER	2	
	50353	50353-GBG2-711	BUSH SWING LOCK	BUSH SWING LOCK	2	
	50613	50613-LCD3-E00	COVER UNDER	COVER UNDER	1	
	50710	50710-LCD3-E00	PIPE R RR STEP	PIPE R RR STEP	1	
	50711	50711-LCD3-E00	STAY R RR STEP	STAY R RR STEP	1	
**	50712	50712-LEJ8-E00	COVER R RR STEP	COVER R RR STEP	1	
	50713	50713-LCD3-E00	RUBBER R RR STEP	RUBBER R RR STEP	1	
	50714	50714-LDH1-E00	PIN LOCK	PIN LOCK	2	
	50715-KEB7	50715-KEB7-900	PIN RR STEP	PIN RR STEP	2	
	50715-LDH1	50715-LDH1-E00	SPRING	SPRING	2	
	50720	50720-LCD3-E00	PIPE L RR STEP	PIPE L RR STEP	1	
	50721	50721-LCD3-E00	STAY L RR STEP	STAY L RR STEP	1	
**	50722	50722-LEJ8-E00	COVER L RR STEP	COVER L RR STEP	1	
	50723	50723-LCD3-E00	RUBBER L RR STEP	RUBBER L RR STEP	1	

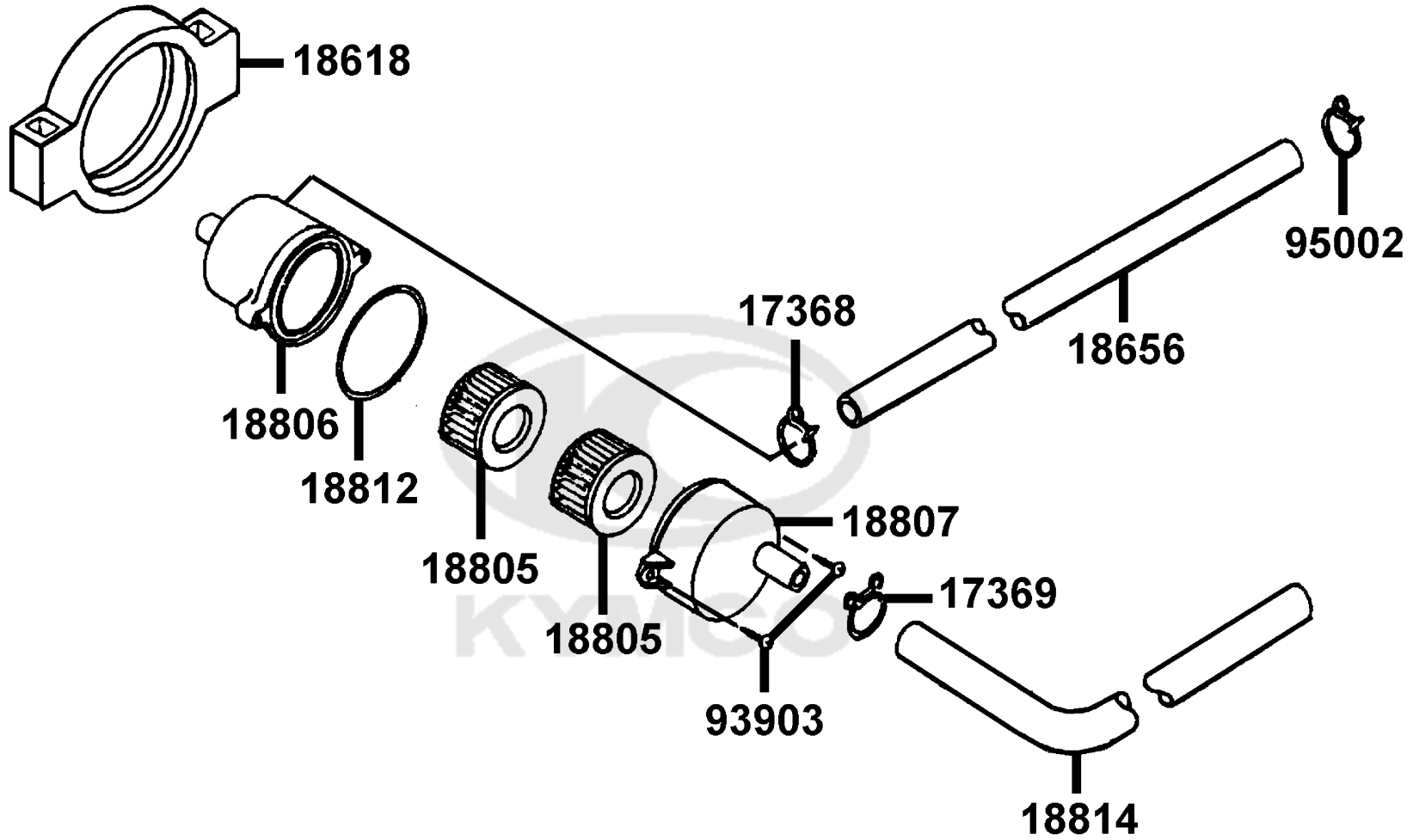


F21

Frame Body



Sales mark	Ref no	Part no	Description	Reg description	Regd no	F21
64315		64315-LCD3-E00	STAY FR COVER	STAY FR COVER	1	
81201		81201-LCD3-E00	STAY RR CARRIER	STAY RR CARRIER	1	
90106		90106-GFY6-901	BOLT FLANGE 10*55	BOLT FLANGE 10*55	2	
90121		90121-GFY6-901	COLLAR DISTANCE	COLLAR DISTANCE	1	
90302		90302-GFY6-940	BOLT WASHER 5*16	BOLT WASHER 5*16	4	
90304		90304-GHE8-004-SY	NUT U FLANGE 10MM	NUT U FLANGE 10MM	2	
93903		93903-34360	SCREW TAPPING 4*12	SCREW TAPPING 4*12	4	
94050-06080		94050-06080	NUT FLANGE 6MM	NUT FLANGE 6MM	2	
94050-08080		94050-08080	NUT FLANGE 8MM	NUT FLANGE 8MM	4	
94101		94101-06800	WASHER PLAIN 6MM	WASHER PLAIN 6MM	2	
94201		94201-16120	PIN SPLIT 1.6*12	PIN SPLIT 1.6*12	2	
95701-06016		95701-06016-08	BOLT FLANGER 6*12	BOLT FLANGER 6*12	2	
95701-06045		95701-06045-08	BOLT FLANGE 6*45	BOLT FLANGE 6*45	2	
95701-08016		95701-08016-08	BOLT FLANGE 8*16	BOLT FLANGE 8*16	2	
95801-10100		95801-10100-06	BOLT FLANGE 10*100 (G)	BOLT FLANGE 10*100 (G)	1	
95801-10120		95801-10120-06	BOLT FLANGE 10*120	BOLT FLANGE 10*120	1	

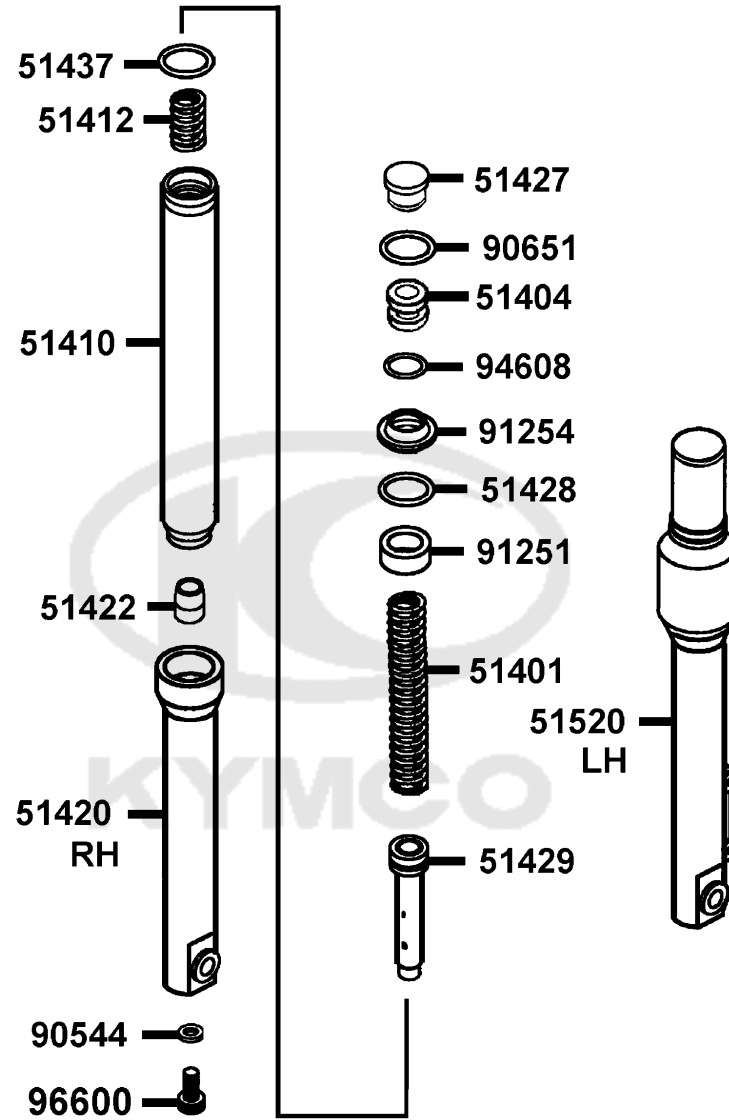


Sales mark	Ref no	Part no	Description	Reg description	Regd no	F22
17368		17368-KDB4-670	CLIP B 14.5 TUBE	CLIP B 14.5 TUBE	1	
17369		17369-KDB4-671	CLIP BREATHER TUBE	CLIP BREATHER TUBE	1	
18618		18618-KEBE-900	RUBBER AI CLEANER MOUNT	RUBBER AI CLEANER MOUNT	1	
18656		18656-LCD1-E00	TUBE AI/C REED VALVE	TUBE AI/C REED VALVE	1	
18805		18805-KHB4-910	ELEMENT AI. CLEANER	ELEMENT AI. CLEANER	2	
18806		18806-KBE2-900	CASE AIC-AICV	CASE AIC-AICV	1	
18807		18807-KBE2-900	COVER AIR CLEANER	COVER AIR CLEANER	1	
18812		18812-KBE2-900	SEAL AI/C COVER	SEAL AI/C COVER	1	
18814		18814-LCD1-E00	DUCT AI/C	DUCT AI/C	1	
93903		93903-24320	SCREW TAPPING 4X12	SCREW TAPPING 4X12	2	
95002		95002-KKD6-E05	CLAMP D18 TUBE	CLAMP D18 TUBE	1	



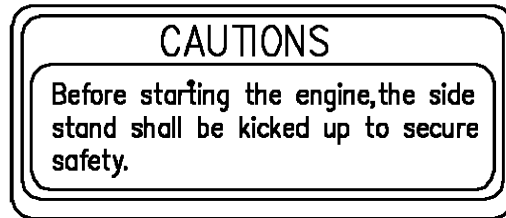
F23

Separated Parts Of Fr Fork

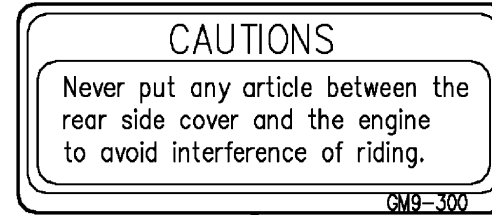


Sales mark	Ref no	Part no	Description	Reg description	Regd no	F23
	51401	51401-LCD3-E00	SPRING	SPRING	2	
	51404	51404-LCD3-E00	SPRING COLLAR	SPRING COLLAR	2	
	51410	51410-LCD3-E00	FORK PIPE COMP	FORK PIPE COMP	2	
	51412	51412-LCD3-E00	REBOUND SPRING	REBOUND SPRING	2	
**	51420	51420-LCD3-E00	BOTTOM CASE R	BOTTOM CASE R	1	
	51422	51422-LCD3-E00	OIL LOCK PIECE	OIL LOCK PIECE	2	
	51427	51427-LCD3-E00	FORK BOLT CAP	FORK BOLT CAP	2	
	51428	51428-KKAK-900	RING OIL SEAL STOPPER	RING OIL SEAL STOPPER	2	
	51429	51429-LCD3-E00	PIPE SEAT COMP	PIPE SEAT COMP	2	
	51437	51437-KKAK-900	PISTON RING	PISTON RING	1	
**	51520	51520-LCD3-E00	BOTTOM CASE L	BOTTOM CASE L	1	
	90544	90544-KEC8-900	PACKING	PACKING	2	
	90651	90651-LCD3-E00	STOPPER RING	STOPPER RING	2	
	91251	91251-KKAK-900	OIL SEAL	OIL SEAL	2	
	91254	91254-KHD8-900	DUST SEAL	DUST SEAL	2	
	94608	94608-LCD3-E00	O-RING	O-RING	2	
	96600	96600-LBA2-E00	BOCKET BOLT	BOCKET BOLT	2	

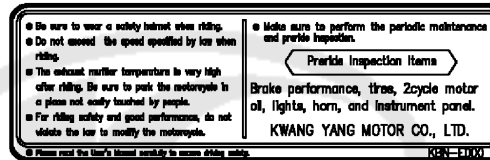
Caution Label



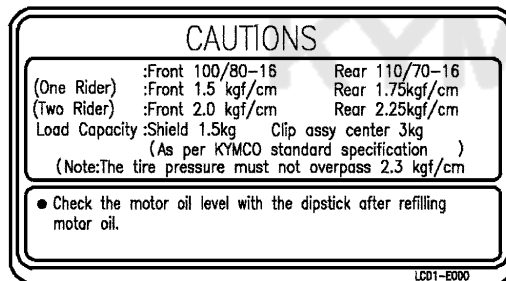
87541



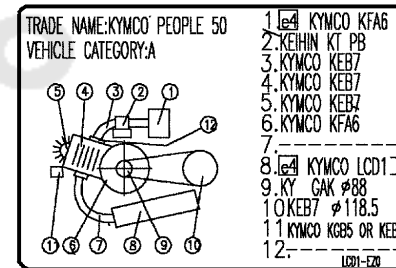
87542



87560



87505



87224

Sales mark	Ref no	Part no	Description	Reg description	Regd no	<b>F24</b>
**	87224	87224-LCD1-EZ0	CAUTION ANTI TAMPERING	CAUTION ANTI TAMPERING	1	
**	87505	87505-LCD1-E00	LABEL TIRE	LABEL TIRE	1	
**	87541	87541-GAR1-E00	CAUTION SIDE STAND	CAUTION SIDE STAND	1	
**	87542	87542-GAR1-E00	MARK MAINT CAUTION	MARK MAINT CAUTION	1	





**PEOPLES**

86202

**50ET**

87140

Sales mark	Ref no	Part no	Description	Reg description	Regd no	<b>F25</b>
------------	--------	---------	-------------	-----------------	---------	------------

**	86202	86202-LCD3-E10	EMB BODY COVER	EMB BODY COVER	2	
**	87140	87140-LCD1-E00	EMB MARK 50 2T	EMB MARK 50 2T	2	



## PART NO. INDEX

PART NO.	VERSION	PAGE	PART NO.	VERSION	PAGE	PART NO.	VERSION	PAGE
<b>1000</b>			<b>4000</b>			<b>12000</b>		
1001-GC8H-0351	0	E11	4000-077-0000	0	E11	12101-KEB7-901	2	E02
1010-GAKH-9200	0	E11				12191-KEB7-900	0	E02
1014-GAKH-9100	0	E11	<b>11000</b>			12191-KEB7-980	1	E02
1019-GW3H-9800	0	E11				12201-KEB7-900	1	E02
1020-GAKH-9300	0	E11	11100-KEB7-325	0	E09	12251-KEB7-900	0	E02
1031-181H-8310	0	E11	11102-1G87-004	3	E09	12311-KFB5-900	2	F15
1034-153H-9901	0	E11	11108-KEB7-900	0	E03			
103J-073H-9900-SB0	0	E11	11200-KFA6-305	1	E09	<b>13000</b>		
105B-KBNH-9000	0	E11	11203-GGC7-301	2	E09			
106B-KG8H-9804	0	E11	11203-KUDU-900	2	E08	13000-GKAK-921	9	E10
1300-GW0H-9000	0	E11	11204-KEB7-900	0	E09	13011-GLW0-90A	4	E10
1300-GW3H-Q800	0	E11	11205-GHAH-004	0	E05	13101-GLW0-901	2	E10
1300-KG8H-9010	0	E11	11205-GHAH-004	0	E09	13111-1F66-001	2	E10
1300-KG8H-Q010	0	E11	11205-KED5-900	0	E09	13115-1F56-001	0	E10
1703-GJ2H-0040	0	E11	11208-GKAK-901	0	E09			
1782-KG8H-9010	0	E11	11341-KFA6-900	0	E05	<b>14000</b>		
1785-KBNH-9000-SB0	0	E11	11382-KHB4-900	2	F03			
1793-144H-9900	0	E11	11383-KHE7-900	0	F06	14100-KEB7-900	0	E09
1795-KG8H-9010	0	E11	11395-KFA6-900	0	E05			
1799-KBNH-9000	0	E11	11396-KFA6-900	0	E05	<b>15000</b>		
						15100-KEB7-E00	0	E09
						15110-KEB7-900	0	E09

## PART NO. INDEX

PART NO.	VERSION	PAGE	PART NO.	VERSION	PAGE	PART NO.	VERSION	PAGE
1551A-LCD1-E00	1	E09	17111-KEB7-900	0	E09	1830A-LCD1-E01	6	F15
1552A-KEB7-901	0	E09	17111-KEB7-980	1	E09	18318-LCD1-E00	5	F15
1552A-LCD1-E00	1	E09	17112-KEB7-900	1	E09	18341-LCD1-E00	3	F15
1552B-LCD1-E00	1	E09	17112-KEB7-980	1	E09	18601-KFB5-900	0	F15
1552C-LCD1-E00	1	E09	17205-KFA6-900	0	F14	18612-KFB5-900	1	F15
15772-5A51-001	1	F12	17208-KEB7-900	0	F14	18618-KEBE-900	0	F22
			17212-KFA6-900	0	F14	18645-KGB5-EZ0	1	F15
<b>16000</b>			1723A-LCD1-E00	1	F14	18656-LCD1-E00	1	F22
			1723B-LCD1-E00	1	F14	18805-KHB4-910	0	F22
16075-KG8-9010-M1	0	E11	17368-KDB4-670	2	F22	18806-KBE2-900	1	F22
16076-KG8-9010-M1	0	E11	17369-KDB4-671	1	F22	18807-KBE2-900	3	F22
16076-ND5-0040	0	E11	17502-1G87-001	0	F12	18812-KBE2-900	0	F22
1610K-KFA6-E05	2	E11	17510-LCD3-E00	2	F10	18814-LCD1-E00	2	F22
16152-KG8-9010-M1	0	E11	17520-LCD3-E00	1	F20			
16162-KG8-9010-M1	0	E11	17530-LCD3-E00	1	F10	<b>19000</b>		
16215-LCD1-E00	0	E09	17550-KFA6-900	1	F10			
1621A-GKAK-901	0	E09	1762A-KFA6-900	3	F10	19410-KFA6-900	0	F21
16620-KEB7-E00	1	E11	17685-KZCZ-900	0	F10	19411-KNBN-900	1	F21
16630-KEB7-E00	1	E01	17910-LCD1-E00	2	F03	19505-LBC6-900	0	F10
16950-KHB4-900	3	F10				19510-GBW2-901	6	E03
16951-LCD3-E00	2	F10	<b>18000</b>			19600-KEB7-900	0	E01
						1962A-KEB7-E00	1	E01
<b>17000</b>			18291-LBA7-900	2	F15			
			18293-KECE-900	0	F15	<b>21000</b>		
17100-KEB7-901	2	E09	18294-KEBE-900	0	F15			
17100-KEB7-E00	1	E09	18295-KECE-900	0	F15	21200-KFA6-305	0	E08

## PART NO. INDEX

PART NO.	VERSION	PAGE	PART NO.	VERSION	PAGE	PART NO.	VERSION	PAGE
21395-KFA6-900	0	E08	23237-GAR1-220	0	E07			
			23238-GFY6-941	0	E07	<b>31000</b>		
<b>22000</b>			23411-KFA6-900	0	E08			
			23420-KFA6-900	0	E08	31110-KEB7-90A	2	E03
22100-GAR1-751	1	E07	23431-KNBN-901	2	E08	31110-KEB7-90B	1	E03
22102-KEB7-900	0	E06	23432-KFA6-900	0	E08	31120-KFA6-90A	2	E03
22103-KEB7-900	0	E06				31120-KFA6-90B	2	E03
22105-KEB7-E00	1	E06	<b>28000</b>			31209-GKAK-901	3	E04
22110-KFA1-220	0	E06				31210-GKAK-901	1	E04
22121-GLW0-901	2	E06	28211-KEB7-900	1	E06	31210-GKAK-90A	0	E04
22131-GHAH-781	0	E06	28223-KNBN-901	0	E06	31210-GKAK-90C	1	E04
22132-GLW0-001	2	E06	28230-GKAK-921	0	E06	31500-KCAC-90A	9	F11
22300-KXCX-900	2	E07	28250-KCCC-900	2	E06	31500-KCAC-90B	7	F11
22350-GKAK-930	1	E07	28253-GBN2-60A	0	E06	31600-KUDU-900	2	F20
22401-GBG2-900	0	E07	28255-GFS6-001	0	E06			
22530-GKAK-930	1	E07	28281-GBN2-60A	1	E06	<b>32000</b>		
22804-1H48-001	0	E07	28300-KFA6-900	0	F16			
			<b>30000</b>			32100-LCD1-E00	2	F20
<b>23000</b>						32100-LCD1-E01	1	F20
						32101-GFY6-901	1	F04
2301A-KEB7-220	1	E07	30400-KFA6-900	0	F20	32105-KFA6-900	1	E04
23100-KEB7-900	0	E07	3051A-KFA6-90A	2	F20	32108-GAR1-711	1	F20
23200-GAR1-220	2	E07	30700-KNBN-901	2	F20	32120-1E55-001	0	F20
23220-GKAK-220	1	E07				32161-3C93-004	0	E01
23225-GAR1-751	0	E07						
23233-GHE8-001	2	E07						

## PART NO. INDEX

PART NO.	VERSION	PAGE	PART NO.	VERSION	PAGE	PART NO.	VERSION	PAGE
<b>33000</b>			<b>34000</b>			35410-GAR1-900	1	F12
33100-LCD1-E01	0	F01	34901-KFA6-900	0	F01	<b>37000</b>		
33105-LCD3-E00	0	F01	34903-KPCP-900	0	F01	37200-LCD1-E01	0	F02
33107-LCD1-E00	0	F01	34903-KPCP-900	0	F19	37211-LCD3-E01	0	F02
33109-LCD3-E00	0	F01	34905-LCA5-E00	0	F19	37213-LCD3-E00	0	F02
33120-LCD1-E01	0	F01	34906-KPCP-900	0	F19	37305-KEE5-009	0	F02
33130-LCD1-E00	1	F01	34908-KAM1-67A	0	F02	37801-LLJ3-E00	1	F10
33400-LCD3-E00	3	F18	34908-LAB4-900	1	F02	3780A-LCD3-E00	1	F10
33450-LCD3-E00	2	F18	34909-KEBE-900	0	F02			
33700-LCD1-E00	1	F19	<b>35000</b>			<b>38000</b>		
33706-KHB4-E01	0	F19				38110-KHB4-E0A	0	F20
33709-KBAB-003	0	F19	35101-LCD3-325-M2	0	F20	38110-KHB4-E0B	2	F20
33710-LCD1-E00	1	F19	35102-LCD3-E0B	0	F20	38300-LCB4-900	4	F20
33720-KHB4-E00	4	F19	35104-LBC6-90A	0	F20	38501-GBW2-902	1	F20
33720-LCD2-E00	1	F19	35109-LBC6-90B	1	F20	38773-KEC3-900	0	E09
33722-KHB4-E00	0	F19	35111-KHC5-305-M2	0	F20			
33725-KHB4-E00	0	F19	35111-KHC5-306-M2	0	F20	<b>42000</b>		
33726-KHB4-E00	0	F19	35119-LBC6-90B	0	F20	42601-LCD3-E00	2	F08
33726-LCD2-E00	0	F19				42710-LCD1-E0A	2	F08
33741-GFY6-C30	1	F19	3515A-KEB8-B00	1	F03	42753-KNBN-90B	1	F07
33741-KHC5-M00	0	F19	3520A-LCD3-E00	1	F03	42753-KNBN-90B	1	F08
			35340-KKJ9-010	5	F03			
			35340-KNBN-901	0	F04			
			35400-KEB8-B00	0	F20			

## PART NO. INDEX

PART NO.	VERSION	PAGE	PART NO.	VERSION	PAGE	PART NO.	VERSION	PAGE	
<b>43000</b>			45107-KFA6-900	0	F07	50350-LCD1-E00	2	F21	
			45108-KFA6-900	2	F07	50352-GFY6-901	0	F21	
			45109-KFA6-900	0	F07	50353-GBG2-711	1	F21	
	4312A-KUDU-900	4	F08	45121-LCD3-E00	2	F07	50503-KEB7-900	1	F16
	43141-KFA6-900	0	F08	45126-LCD3-E00	5	F04	50505-KKD7-900	2	F16
	43151-KGM7-961	1	F08	45132-KFA6-900	0	F07	5050A-LCD1-E00	2	F16
	43352-5H68-004	3	F07	45133-KFA6-900	0	F07	50527-KED5-900	0	F16
	43353-4A61-77A	0	F07	45200-LCD3-E00	4	F07	50530-LCD3-E00	2	F16
	43410-KFA6-900	1	F08	45209-KFA6-900	0	F07	50531-KEB7-E00	1	F16
	43450-LCD1-E00	1	F03	45210-LCD3-305	0	F07	50535-KEB7-E00	3	F16
<b>44000</b>			45513-KCCC-900	0	F04	50550-KFA6-E00	0	F16	
			45517-GFY6-900	5	F03	50613-LCD3-E00	5	F21	
			45517-KFAF-910	0	F04	50710-LCD3-E00	3	F21	
	44301-KXCX-900	4	F07	45520-KCCC-900	0	F04	50711-LCD3-E00	2	F21
	44311-KHB4-900	0	F07	45530-KEB7-306	0	F04	50712-LEJ8-E00	3	F21
	44600-LCD3-305	2	F07	<b>50000</b>		50713-LCD3-E00	3	F21	
	44620-KFLF-930	1	F07		50714-LDH1-E00	0	F21		
	44680-4L10-001	0	F07		50715-KEB7-900	0	F21		
	44710-LCD3-E0A	2	F07		50715-LDH1-E00	0	F21		
	44800-KFA6-900	3	F07		50720-LCD3-E00	3	F21		
44830-LCD3-E00	4	F02	50721-LCD3-E00		2	F21			
44831-LCD3-E00	0	F02	50301-KGN7-671		2	F21	50722-LEJ8-E00	3	F21
			50302-2H68-011		2	F21	50723-LCD3-E00	3	F21
			50306-1F96-001		0	F06			
			50324-LCD1-E00		2	F11			
<b>45000</b>			50326-LCD3-E00	2	F13				
	45105-KFA6-305	0	F07						

## PART NO. INDEX

PART NO.	VERSION	PAGE	PART NO.	VERSION	PAGE	PART NO.	VERSION	PAGE		
<b>51000</b>			53102-KEC8-900	0	F03	55201-GHC8-001	0	F12		
			53105-LBB5-E00	2	F03	<b>61000</b>				
			53125-GEN5-901	0	F03					
	51400-LCD3-E00	5	F06	53140-KGB5-900	0		F03			
	51401-LCD3-E00	0	F23	53166-KGB5-900	0	F03	61100-LCD3-E00	2	F06	
	51404-LCD3-E00	0	F23	53172-KTCT-900	0	F03	<b>64000</b>			
	51408-LCD3-E00	1	F06	53175-KXBX-E10	3	F04				
	51409-LCD3-E00	3	F06	53178-LCD1-E00	1	F03				
	51410-LCD3-E00	0	F23	5317B-LCD1-E00	2	F03		64206-MLJ0-001	1	F13
	51412-LCD3-E00	0	F23	53200-LCD3-E00	7	F06		64212-LCD3-E00	2	F03
	51420-LCD3-E00	0	F23	53204-LCD3-E00	2	F03		6421A-LEJ8-E01	5	F03
	51422-LCD3-E00	0	F23	53205-LCD3-E00	3	F03		6421B-LCD3-E01	1	F03
	51427-LCD3-E00	0	F23	53206-LCD3-E00	4	F03		64222-KKC4-900	3	F03
	51428-KKAK-900	0	F23	53207-LCD3-E00	2	F03		64301-LCD3-E00	1	F05
	51429-LCD3-E00	0	F23	53211-GFY6-940	1	F06		64303-LCD3-E00	2	F05
	51437-KKAK-900	0	F23	53212-2L50-011	1	F06	64304-LCD3-E00	2	F05	
	51500-LCD3-E00	5	F06	53214-2L50-001	0	F06	64305-LCD3-E00	2	F05	
51520-LCD3-E00	0	F23	53215-2L50-001	0	F06	64306-LCD3-E00	2	F05		
<b>52000</b>			<b>55000</b>			6430A-LCD3-E00	2	F05		
	52400-LCD1-E00	1		F17	55100-LCD1-E00	1	F12	64310-LCD3-E00	2	F05
					55102-1F66-001	0	F12	64313-LCD3-E00	2	F05
<b>53000</b>						64315-LCD3-E00	4	F21		
						64316-LCD3-E00	1	F05		
						64317-LCD3-E00	1	F05		
53100-LCD1-E00	3	F03	55106-KEB7-900	2	F12	64330-LCD3-E00	3	F05		
			55121-LCD1-E00	2	F12	64400-LCD3-E00	2	F05		
			55123-LCD1-E00	1	F12					



## PART NO. INDEX

PART NO.	VERSION	PAGE	PART NO.	VERSION	PAGE	PART NO.	VERSION	PAGE
<b>77000</b>			<b>81000</b>			83520-LCD3-E00	1	F13
77105-LCD3-E00	2	F13	81131-LCD3-E01	1	F05	83600-LCD3-E00	1	F13
77106-LCD3-E00	2	F13	81132-LCD3-E00	1	F05	83620-LCD3-E00	1	F13
77200-LCD3-E00	2	F09	81133-KNBN-901	0	F05	<b>86000</b>		
77202-KHB4-900	1	F13	81134-KFA6-900	0	F05	86102-LCD3-E00	3	F05
77206-KGBG-900	0	F09	81134-LEJ8-E00	2	F05	86202-LCD3-E10	3	F25
77235-KGC4-E0B	2	F20	81135-KGBG-900	2	F05	<b>87000</b>		
77240-LCD3-E00	1	F20	81141-LCD3-E00	1	F05	87140-LCD1-E00	1	F25
77303-KGC4-E00	2	F05	81142-KFA6-900	0	F05	87224-LCD1-EZ0	1	F24
77303-LCD3-E00	2	F09	81142-KUDU-900	1	F05	87505-LCD1-E00	1	F24
<b>80000</b>			81143-LCD3-E00	2	F05	87541-GAR1-E00	1	F24
80100-KEB7-900	0	F19	81144-LCD3-E00	2	F05	87542-GAR1-E00	2	F24
80100-LCD1-E00	1	F19	81145-LCD3-E00	4	F05	87560-KNBN-E00	1	F24
80101-LCD3-E00	4	F19	81146-LCD3-E00	1	F05	<b>88000</b>		
80102-LCD1-E00	1	E09	81147-LCD3-E00	1	F05	88110-LBD5-E00	1	F03
80103-LCD1-E00	1	F19	81148-LCD3-E00	1	F05	88120-LBD5-E00	1	F03
80104-LCD1-E00	1	F13	81149-LCD3-E00	1	F05	<b>89000</b>		
80105-LCD3-E00	3	F19	81200-LCD3-E00	2	F13	89010-GGS7-C00	3	F09
80109-KEB7-900	0	F19	81201-LCD3-E00	2	F21			
			81260-LCD1-E00	3	F13			
			<b>83000</b>					
			83500-LCD3-E00	1	F13			

## PART NO. INDEX

PART NO.	VERSION	PAGE	PART NO.	VERSION	PAGE	PART NO.	VERSION	PAGE
89020-KKC4-900	1	F09	90145-MKS9-61A	1	F04	90454-GBB2-001	0	E07
<b>90000</b>			90202-1G87-001	0	E07	90474-3C33-001	1	E09
			90215-KKC4-900	1	F13	90501-KNBN-901	0	F08
90001-GKAK-901	0	E02	90301-6D34-671	1	F05	90544-KEC8-900	0	F23
9000A-KTDT-900	1	E05	90301-6D34-671	1	F10	90545-3L00-001	2	F04
90105-GGS7-001	0	F13	90301-6D34-671	1	F19	90651-LCD3-E00	0	F23
90105-KCR3-001	1	F07	90301-KGBG-900	1	F15	90652-KTCT-900	1	F14
90105-KHB4-900	0	F03	90302-GFY6-901	1	F06	90656-KCBC-900	0	F03
90105-KHB4-900	0	F13	90302-GFY6-901	1	F10	90741-0E35-001	0	E10
90106-GEN5-901	0	F03	90302-GFY6-901	1	F19	<b>91000</b>		
90106-GFY6-901	0	F21	90302-GFY6-940	1	F03			
90106-KFC2-900	0	F03	90302-GFY6-940	1	F21	91001-GGA7-70A	2	E07
90106-KUDU-900	1	F13	90302-SDA4-004	2	F05	91001-GLW0-90A	6	E09
90108-KFA6-E00	1	F16	90302-SDA4-004	2	F13	91004-KBN2-90A	0	E08
90110-GLW0-001	0	F05	90304-GHE8-004-SY	0	F03	91004-KBN2-90A	0	E09
90110-LCD1-E00	2	F15	90304-GHE8-004-SY	0	F21	91004-KNBN-92A	0	E09
90111-1G47-001	0	F10	90305-GHK8-001	1	F01	91004-KNBN-92A	0	E09
90112-KRDR-900	0	F20	90305-KNBN-90B	0	F08	91006-KNBN-901	5	E09
90114-1F66-007	2	F04	90306-KLF0-004-SY	1	F07	91009-GLE0-004	1	E08
90114-KXCX-900	1	F14	90309-KLF0-004-SY	1	E08	91014-LLJ3-E00	1	F06
90115-GLE0-001	0	F03	90312-LCD3-E01	0	F03	91015-LLJ3-E00	1	F06
90116-KED9-900	2	F03	90412-3K29-001	0	E06	91102-GLW0-009	0	E10
90120-GAR1-J00	0	E09	90426-KNBN-901	0	E06	91103-GAR1-004	0	E07
90121-GFY6-901	1	F21	90429-KNBN-901	0	E08	91201-KED1-900	0	E08
90122-KEBE-900	2	F07	90442-0D44-001	0	E07	91201-KNBN-92A	0	E09
			90451-GBN2-601	0	E06	91202-KNBN-92A	0	E09

## PART NO. INDEX

PART NO.	VERSION	PAGE	PART NO.	VERSION	PAGE	PART NO.	VERSION	PAGE
91202-KNBN-92B	0	E09	93404-06012-08	0	F19	93903-35320	0	F02
91204-KNBN-90A	1	E09	93404-06016-06	0	F12	93903-35320	0	F20
91211-GHK8-014	1	E07	93404-06016-06	0	F19	93903-GFY6-900	1	F05
91251-KKAK-900	0	F23	93404-06020-06	1	F05	93903-GFY6-900	1	F13
91252-0L30-00A	0	F07	93500-04020-0G	0	F20	93903-GFY6-900	1	F19
91252-0L30-00B	0	F07	93500-05012-0H	0	E09	93903-KEB7-900-06	1	F05
91254-KHD8-900	0	F23	93500-KGBG-900	0	F03			
91255-GLE0-006	0	E08	93600-04012-1G	0	F04	<b>94000</b>		
91258-4L10-00A	1	F07	93891-05012-06	0	F10			
91258-4L10-00B	1	F07	93891-05012-06	0	F13	94001-05080-0S	0	F03
91301-0C53-001	0	E08	93892-04008-18	0	E11	94001-12280-0S	0	E06
91301-KEA5-742	0	E07	93892-04014-18	0	E11	94050-05080	0	F19
91302-PKA9-004	0	E07	93893-04012-18	0	F04	94050-06060	0	F04
91304-GLB0-911	1	E09	93901-32320	0	F19	94050-06060	0	F06
91309-GKAK-901	0	E04	93903-24260	0	F06	94050-06080	0	E11
91352-KHG8-83B	0	F08	93903-24320	0	F22	94050-06080	0	F03
91508-KGV7-67A	0	F19	93903-25260	0	F05	94050-06080	0	F09
			93903-25260	0	F06	94050-06080	0	F17
<b>92000</b>			93903-25460	0	F14	94050-06080	0	F20
			93903-34360	0	F03	94050-06080	0	F21
92700-06028-1B	0	E02	93903-34360	0	F05	94050-08080	0	F20
			93903-34360	0	F13	94050-08080	0	F21
<b>93000</b>			93903-34360	0	F18	94050-10080	0	E03
			93903-34360	0	F19	94050-10080	0	E07
93404-06012-06	0	F05	93903-34360	0	F21	94050-10080	0	F17
93404-06012-08	0	F05	93903-35220	0	F01	94101-06200	0	F15

## PART NO. INDEX

PART NO.	VERSION	PAGE	PART NO.	VERSION	PAGE	PART NO.	VERSION	PAGE
94101-06700	0	F15	95015-42000	0	F03			
94101-06800	0	F21	95701-06008-06	1	F15	<b>96000</b>		
94101-08600	0	F16	95701-06012-08	0	F13			
94111-06800	0	F15	95701-06012-08	0	F20	96001-06012-08	0	E03
94201-16120	0	F21	95701-06014-08	0	F20	96001-06012-08	0	F03
94251-08400	0	F16	95701-06016-08	0	F17	96001-06012-08	0	F06
94301-10200	0	E09	95701-06016-08	0	F21	96001-06016-08	0	E03
94510-20000	0	E08	95701-06020-06	1	F15	96001-06022-06	1	F04
94511-14000	0	E06	95701-06025-06	2	F15	96001-06022-08	0	E03
94520-24000	1	E07	95701-06025-08	0	E01	96001-06025-06	0	F03
94591-KFBF-900	2	E01	95701-06025-08	0	F19	96001-06025-08	0	E04
94608-LCD3-E00	0	F23	95701-06032-08	0	F08	96001-06025-08	0	E09
			95701-06040-06	0	F15	96001-06032-08	0	E09
<b>95000</b>			95701-06045-08	0	F21	96001-06035-08	0	E09
			95701-08012-08	0	E09	96001-06040-08	0	E09
95002-02070	0	F10	95701-08012-08	0	F20	96001-06045-08	0	E09
95002-02080	0	E11	95701-08016-08	0	F21	96001-06055-08	0	E09
95002-02080	0	F10	95701-KHC5-E00	3	F20	96100-62033-00	0	E09
95002-02100	0	F12	95801-08035-08	0	F17	96120-63010-10	0	F07
95002-02650	0	E09	95801-08040-06	0	F06	96600-LBA2-E00	0	F23
95002-50000	0	F12	95801-08050-06	1	F15	96700-KFA6-900	0	F16
95002-KKD6-E05	0	F22	95801-10035-08	0	F17			
9500B-LCD1-E00	2	F10	95801-10045-08	0	F17	<b>98000</b>		
9500E-KXCX-900	0	F10	95801-10100-06	0	F21			
95012-KED9-900	1	F11	95801-10120-06	0	F21	98076-5871G-00	0	E02
95015-32001	0	F03	95801-KFA6-E00	1	F15	98200-10700	0	F11

## PART NO. INDEX

PART NO.	VERSION	PAGE	PART NO.	VERSION	PAGE	PART NO.	VERSION	PAGE
98200-10700	0	F20						
<b>99000</b>								
99101-116-0700	0	E11						
<b>K</b>								
K378-001	0	E11						
K785-KEB-0300	0	E11						
<b>N</b>								
N350-09E00	0	E11						
N413-32A00	0	E11						
N425-2RFMJ	0	E11						

