

# PARTS CATALOGUE



## SCOOTERS

BB40AA(GR)

PEOPLE S 200I



Release Date : 2013/06/04  
Print Date : 2013/10/18

## ABOUT THIS PARTS LIST

- This parts list is compiled all service parts for model BB40AA(GR).
- Any difference between color chart and motorcycle will be revised according to motorcycle.
- The Mark:
  1. Marking "\*\*\*" must add color code in the end before ordering parts.
  2. Marking "#" are parts with modification, Please find the details from e-Parts system.
- When modification or additions to this parts list are made a revised edition at an appropriate time.



# CONTENTS

● ABOUT THIS PARTS LIST .....	1
● COLOR CHART OF BB40AA(GR) .....	3
● CONTENTS-ENGINE GROUP .....	9
● CONTENTS-FRAME GROUP .....	10
● ENGINE PARTS LIST .....	13
● FRAME PARTS LIST .....	45
● PART NO. INDEX .....	113

NO	MODEL			COLOR CHART OF BB40AA(GR)			
	PHOTO NO			NO. 1	NO. 2	NO. 3	NO. 4
	BASIC COLOR				Light Blue Metallic		Dark Gray Metallic
	CODE				Light Blue Metallic		Dark Gray Metallic
	PARTS NAME	PARTS NO.	VERSION	PB281MA	PB281MA	NH230MA	NH230MA
1	END HANDLE	53102-KEC8-900	0	F1S			
2	END R STRGHANDLE	53105-LBB5-E00	2				
3	COVER LEFT	11341-KHB4-900	2	HJA			
4	TAIL CAP MUFFLER	18306-LAC7-900	3	HJP			
5	MUFFLER ASSY .EXH	1830A-LEJ8-E00	7	HJS			
6	PROTECTOR MUFFLER	18318-LCD3-E00	5				
7	PROTECTOR EXH PIPE	18325-LEJ8-E00	3				
8	VISOR METER	6421A-LEJ8-E01	5	LMR			
9	LEVER R STRG HNDL	53175-KXBX-E10	3	M3A			
10	LEVER L STRG HANDLE	53178-KKBK-E00	0				
11	COVER FR HANDLE	53205-LCD3-E00	3	CAP HKP			
12	COVER RR HANDLE	53206-LCD3-E00	4				
13	PLUG COVER RR	53207-LCD3-E00	2				
14	FENDER FR	61100-LCD3-E00	2				
15	COVER FRONT	64301-LCD3-E00	1				
16	FR TOP	64303-LCD3-E00	2				
17	SKIRT R SIDE	64305-LCD3-E00	2				
18	SKIRT L SIDE	64306-LCD3-E00	2				
19	COWL UNDER	64400-LCD3-E00	2				
20	LEG SHIELD UP	81131-LCD3-E01	1				
21	LID INNER BOX	81132-LCD3-E00	1	N1R			
22	COVER R BODY	83500-LCD3-E00	1				
23	COVER L BODY	83600-LCD3-E00	1				
24	GRIP COMP THROT	53140-KGB5-900	0				
25	GRIP L HANDLE	53166-KGB5-900	0				
DATE OF STARTING-SALES							
DATE OF END-SALES							

NO	MODEL			COLOR CHART OF BB40AA(GR)			
	PHOTO NO			NO. 5	NO. 6	NO. 7	NO. 8
	BASIC COLOR			Black			Bright Silver
	CODE			Black			Bright Silver
	PARTS NAME	PARTS NO.	VERSION	NH001SA	NH001SA	NH045MA	NH045MA
1	END HANDLE	53102-KEC8-900	0	F1S			
2	END R STRGHANDLE	53105-LBB5-E00	2				
3	COVER LEFT	11341-KHB4-900	2	HJA			
4	TAIL CAP MUFFLER	18306-LAC7-900	3	HJP			
5	MUFFLER ASSY .EXH	1830A-LEJ8-E00	7	HJS			
6	PROTECTOR MUFFLER	18318-LCD3-E00	5				
7	PROTECTOR EXH PIPE	18325-LEJ8-E00	3				
8	VISOR METER	6421A-LEJ8-E01	5	LMR			
9	LEVER R STRG HNDL	53175-KXBX-E10	3	M3A			
10	LEVER L STRG HANDLE	53178-KKBK-E00	0				
11	COVER FR HANDLE	53205-LCD3-E00	3	N1P			N8P
12	COVER RR HANDLE	53206-LCD3-E00	4				
13	PLUG COVER RR	53207-LCD3-E00	2				
14	FENDER FR	61100-LCD3-E00	2				
15	COVER FRONT	64301-LCD3-E00	1				
16	FR TOP	64303-LCD3-E00	2				
17	SKIRT R SIDE	64305-LCD3-E00	2				
18	SKIRT L SIDE	64306-LCD3-E00	2				
19	COWL UNDER	64400-LCD3-E00	2				
20	LEG SHIELD UP	81131-LCD3-E01	1				
21	LID INNER BOX	81132-LCD3-E00	1				
22	COVER R BODY	83500-LCD3-E00	1				
23	COVER L BODY	83600-LCD3-E00	1				
24	GRIP COMP THROT	53140-KGB5-900	0	N1R			
25	GRIP L HANDLE	53166-KGB5-900	0				
DATE OF STARTING-SALES							
DATE OF END-SALES							

NO	MODEL			COLOR CHART OF BB40AA(GR)			
	PHOTO NO			NO. 1	NO. 2	NO. 3	NO. 4
	BASIC COLOR				Light Blue Metallic		Dark Gray Metallic
	CODE				Light Blue Metallic		Dark Gray Metallic
	PARTS NAME	PARTS NO.	VERSION	PB281MA	PB281MA	NH230MA	NH230MA
26	FLOOR PANEL	64310-LCD3-E00	2	N1R			
27	LEG SHIELD LOW	81141-LCD3-E00	1				
28	LID LEG SHIELD(VIN)	81142-KUDU-900	1				
29	COVER R SIDE	83520-LCD3-E00	1				
30	COVER L SIDE	83620-LCD3-E00	1				
31	GRILL FR COVER INNER	64313-LCD3-E00	2	NAR			
32	CALIPER ASSY RR	43100-LEJ8-E00	1	NEA			
33	CALIPER ASSY FR LH	45200-LCD3-E00	4	NES			
34	CUSHION ASSY RR	52400-LCD3-E00	4	NJA			
35	WHEEL COMP RR CAST	42601-LEJ8-E00	1	NMR			
36	WHEEL SET FR	44600-LCD3-305	2	NYA			
37	BAND HARNESS WIRE	90656-KUDU-900	0				
38	FORK ASSY RH FR	51400-LCD3-E00	5				
39	BOTTOM CASE R	51420-LCD3-E00	0				
40	FORK ASSY LH FR	51500-LCD3-E00	5				
41	BOTTOM CASE L	51520-LCD3-E00	0	NYP			
42	FORK ASSY RR	52000-LEJ8-E00	3				
43	COVER R RR STEP	50712-LEJ8-E00	3				
44	COVER L RR STEP	50722-LEJ8-E00	3				
45	CARRIER RR	81200-LCD3-E00	2				
46	SEAT ASSY	77200-LCD3-E00	2	T01			
47	EMB K-LOGO 38MM	86102-LCD3-E00	3				
48	EMB BODY COVER	86202-LCD3-E10	3				
49	EMB MARK 200i	87140-LEJ8-E00	1				
50	EMB ENG COVER	87140-LEJ8-E10	1				
DATE OF STARTING-SALES							
DATE OF END-SALES							

NO	MODEL			COLOR CHART OF BB40AA(GR)							
	PHOTO NO			NO. 5	NO. 6	NO. 7	NO. 8				
	BASIC COLOR			Black			Bright Silver				
	CODE			Black			Bright Silver				
	PARTS NAME	PARTS NO.	VERSION	NH001SA	NH001SA	NH045MA	NH045MA				
26	FLOOR PANEL	64310-LCD3-E00	2	N1R							
27	LEG SHIELD LOW	81141-LCD3-E00	1								
28	LID LEG SHIELD(VIN)	81142-KUDU-900	1								
29	COVER R SIDE	83520-LCD3-E00	1								
30	COVER L SIDE	83620-LCD3-E00	1								
31	GRILL FR COVER INNER	64313-LCD3-E00	2					NAR			
32	CALIPER ASSY RR	43100-LEJ8-E00	1					NEA			
33	CALIPER ASSY FR LH	45200-LCD3-E00	4					NES			
34	CUSHION ASSY RR	52400-LCD3-E00	4					NJA			
35	WHEEL COMP RR CAST	42601-LEJ8-E00	1					NMR			
36	WHEEL SET FR	44600-LCD3-305	2	NYA							
37	BAND HARNESS WIRE	90656-KUDU-900	0								
38	FORK ASSY RH FR	51400-LCD3-E00	5								
39	BOTTOM CASE R	51420-LCD3-E00	0								
40	FORK ASSY LH FR	51500-LCD3-E00	5								
41	BOTTOM CASE L	51520-LCD3-E00	0								
42	FORK ASSY RR	52000-LEJ8-E00	3								
43	COVER R RR STEP	50712-LEJ8-E00	3								
44	COVER L RR STEP	50722-LEJ8-E00	3					NYP			
45	CARRIER RR	81200-LCD3-E00	2					T01			
46	SEAT ASSY	77200-LCD3-E00	2								
47	EMB K-LOGO 38MM	86102-LCD3-E00	3								
48	EMB BODY COVER	86202-LCD3-E10	3								
49	EMB MARK 200i	87140-LEJ8-E00	1								
50	EMB ENG COVER	87140-LEJ8-E10	1								
DATE OF STARTING-SALES											
DATE OF END-SALES											

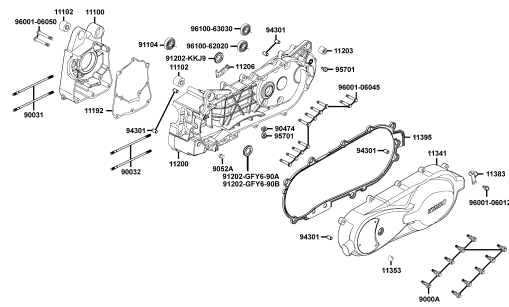




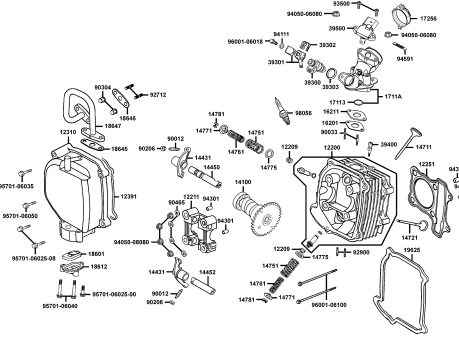


# CONTENTS - ENGINE GROUP

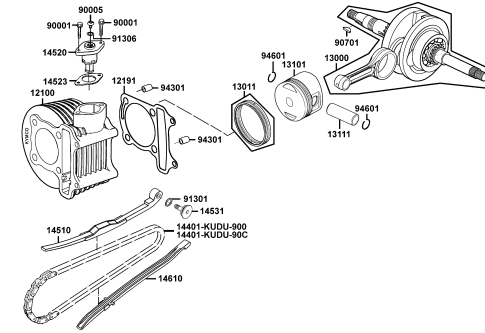
## E01 Crank Case



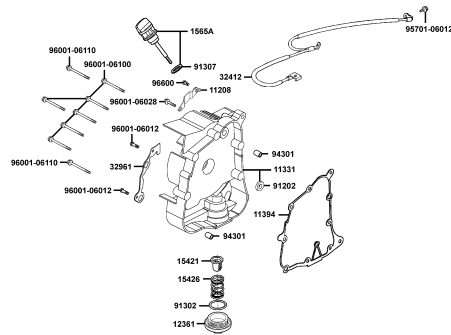
## E02 Cylinder Head CoverCylinder



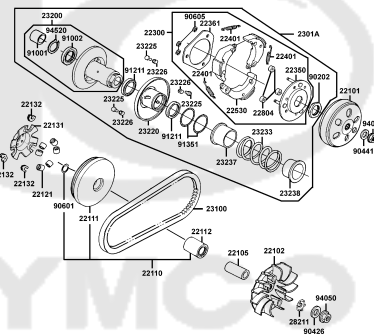
## E03 CylinderPistonCrankshaft



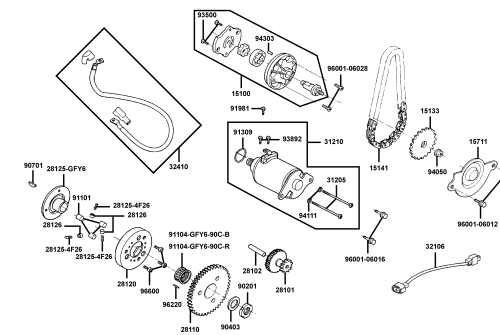
## E04 Right Crankcase Cover



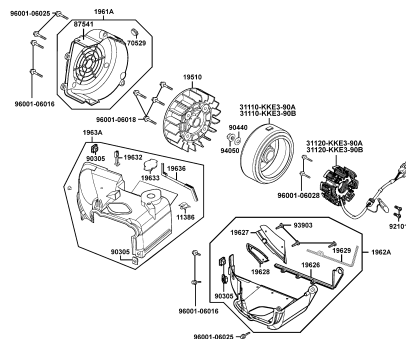
## E05 Driven Pulley



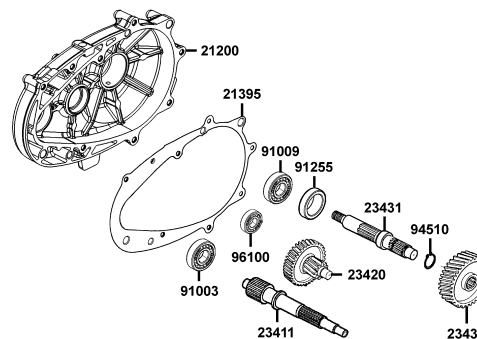
## E06 Starting MotorOil Pump



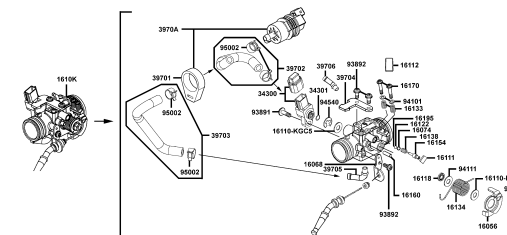
## E07 Fan CoverGenerator



## E08 Transmission



## E09 Carburetor



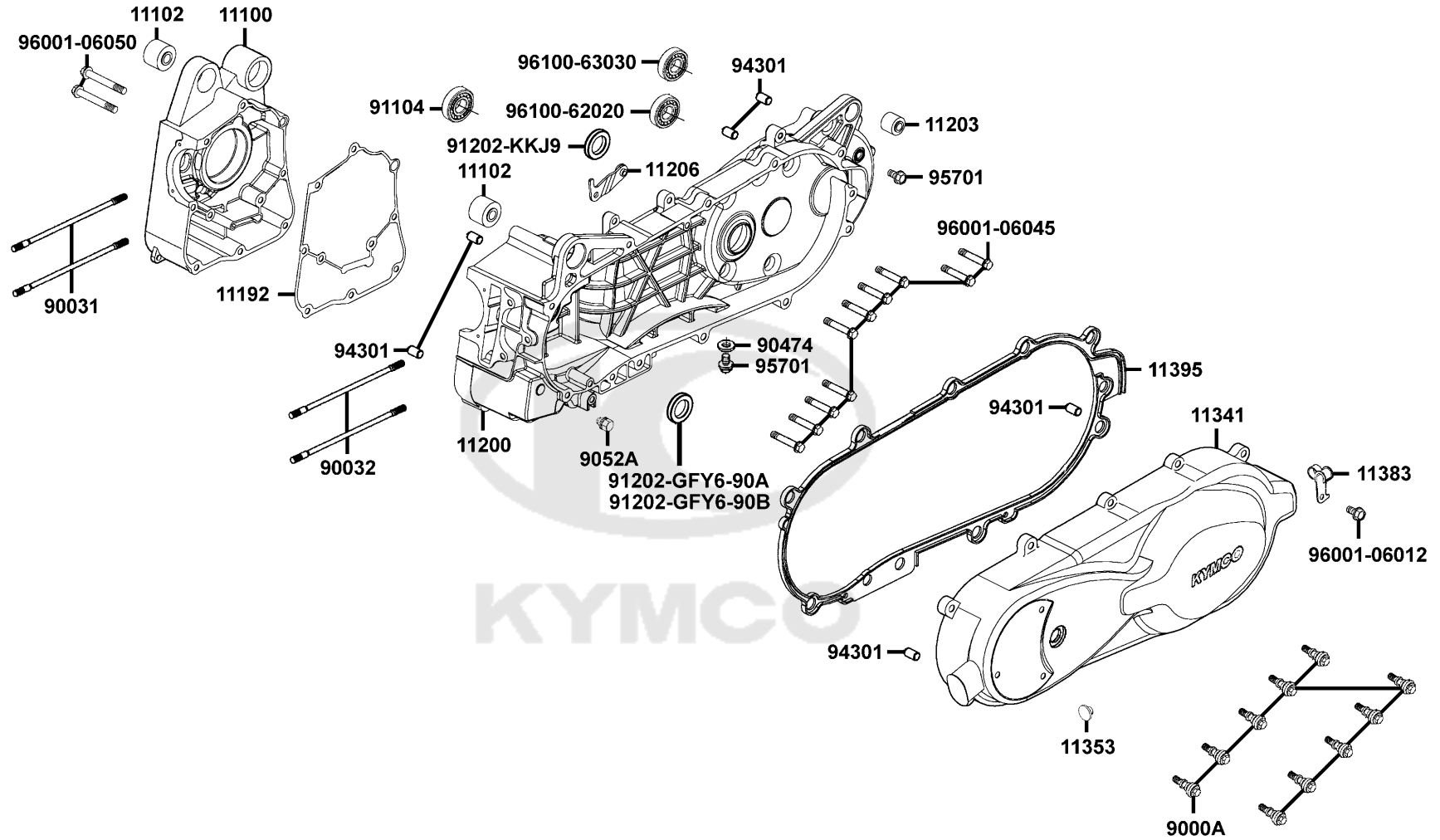






E01

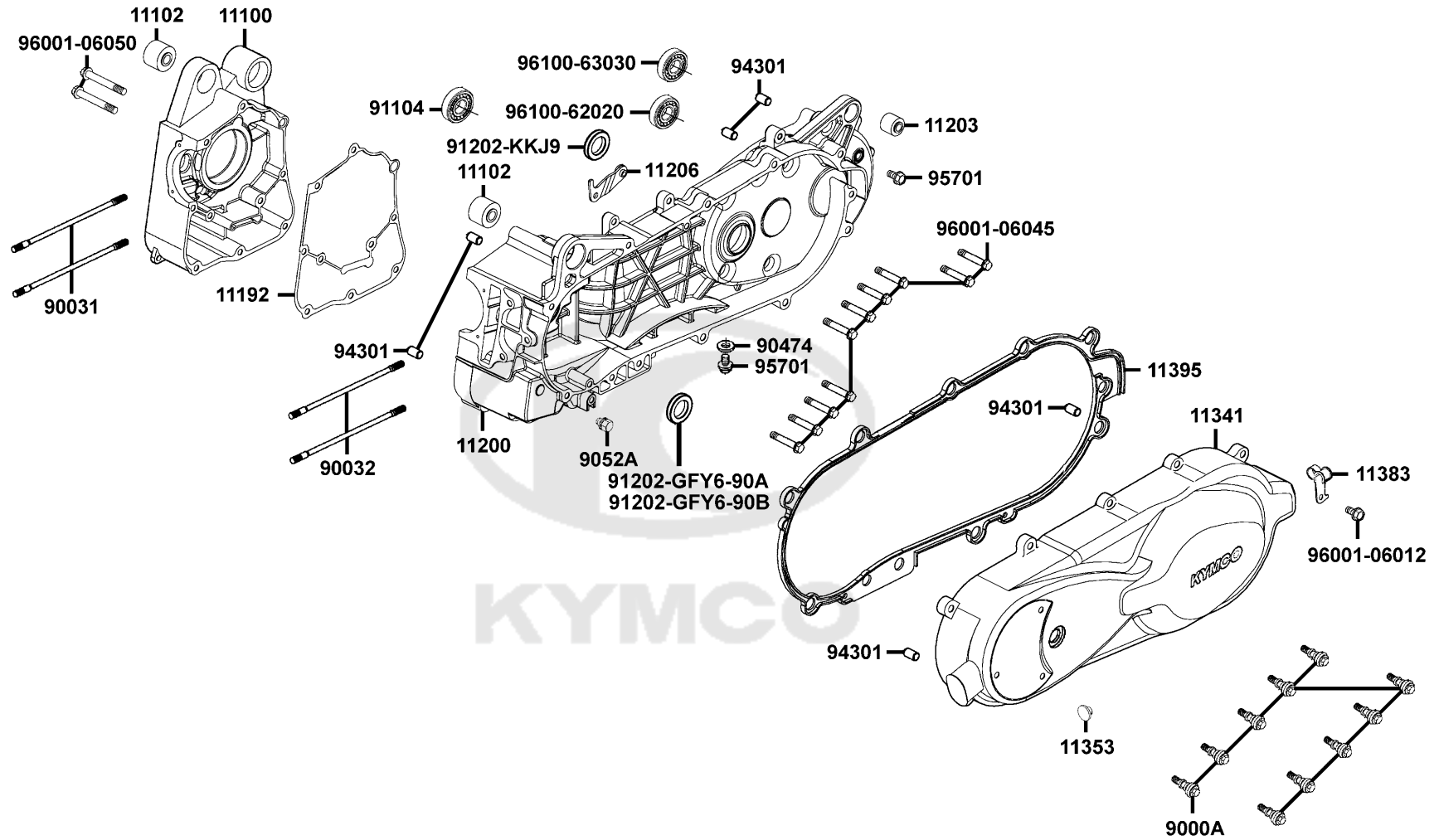
# Crank Case



Sales mark	Ref no	Part no	Description	Reg description	Regd no	E01
	11100	11100-LCD4-E00	CRANK CASE COMP RIGHT	CRANK CASE COMP RIGHT	1	
	11102	11102-1G87-004	RUB BUSH ENG HANGER	RUB BUSH ENG HANGER	2	
	11192	11192-KUDU-900	GASKET CRANK CASE A	GASKET CRANK CASE A	1	
	11200	11200-LCD4-E00	CRANK CASE COMP L	CRANK CASE COMP L	1	
	11203	11203-GGC7-301	UNDER RUBBER BUSH RR CUSHION	UNDER RUBBER BUSH RR CUSHION	1	
	11206	11206-LCD3-E00	STAY A RR FENDER	STAY A RR FENDER	1	
**	11341	11341-KHB4-900	COVER LEFT	COVER LEFT	1	
	11353	11353-LEA6-900	RUBBER PLUG L COVER KICK	RUBBER PLUG L COVER KICK	1	
	11383	11383-KUDU-900	CLAMPER BREATHER DRAIN TUBE	CLAMPER BREATHER DRAIN TUBE	1	
	11395	11395-KHB4-900	GASKET L COVER @ A	GASKET L COVER @ A	1	
	9000A	9000A-KTDT-900	BOLT ASSY SPECIAL 6*29.5	BOLT ASSY SPECIAL 6*29.5	10	
	90032	90032-KEBE-900	BOLT B STUD 8MM	BOLT B STUD 8MM	2	
	90031	90032-LAB4-900	BOLT B STUD 8X203.5	BOLT B STUD 8X203.5	2	
	90474	90474-3C33-001	WASHER 8MM	WASHER 8MM	1	
	9052A	9052A-GFY6-950	BOLT ASSY DRAIN PLUG	BOLT ASSY DRAIN PLUG	1	
	91104	91104-KGN7-671	BRG BALL RADIAL 6204	BRG BALL RADIAL 6204	1	
	91202-GFY6-90A	91202-GFY6-90A	OIL SEAL 19.8*30*5	OIL SEAL 19.8*30*5	1	
	91202-GFY6-90B	91202-GFY6-90B	OIL SEAL 19.8*30*5	OIL SEAL 19.8*30*5	1	
	91202-KKJ9	91202-KKJ9-004	OIL SEAL 20*32*6	OIL SEAL 20*32*6	1	
	94301	94301-10160	DOWEL PIN 10*16	DOWEL PIN 10*16	6	

E01

# Crank Case





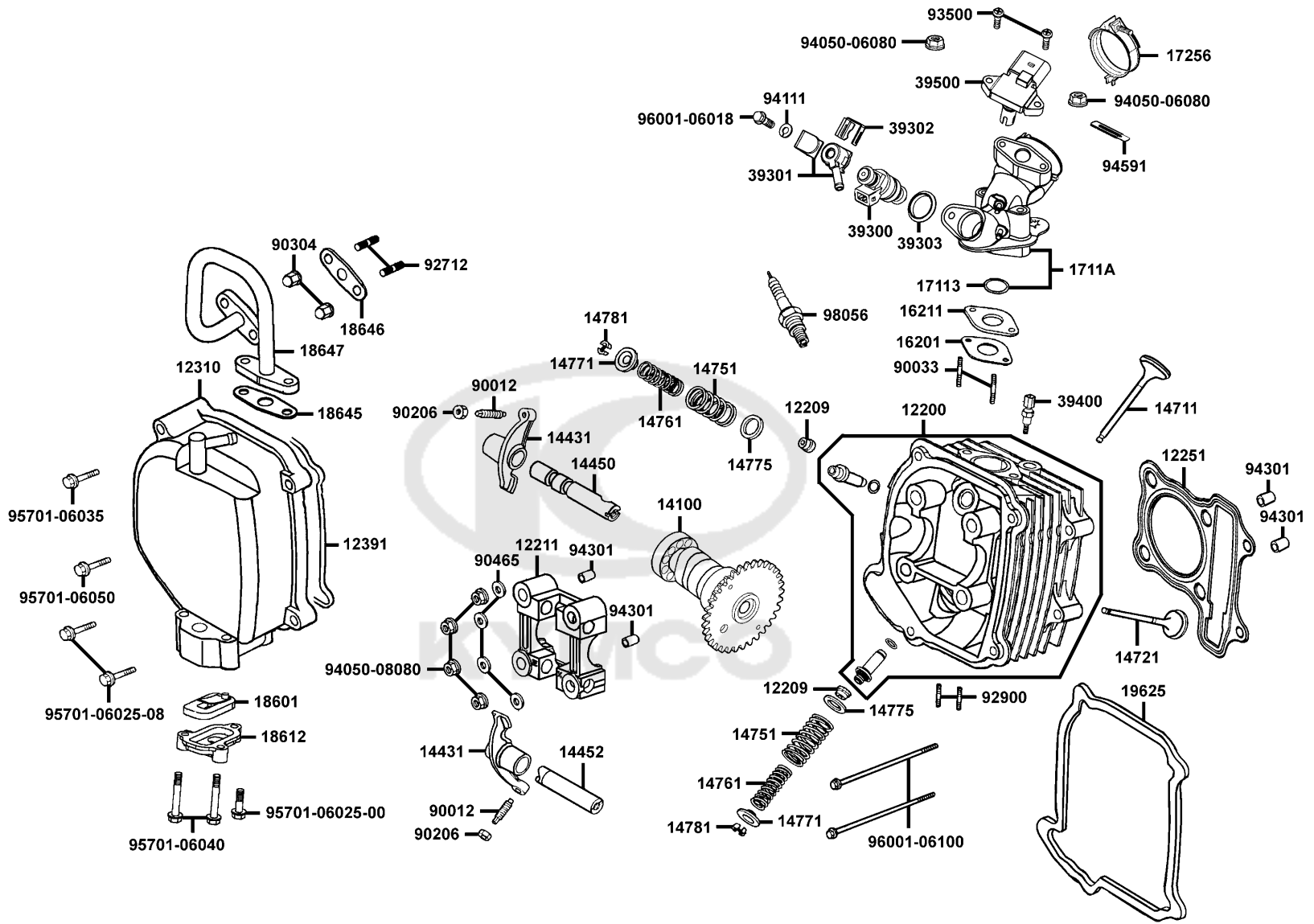
Sales mark	Ref no	Part no	Description	Reg description	Regd no	<b>E01</b>
	95701	95701-08012-08	BOLT FLANGE 8X12	BOLT FLANGE 8X12	2	
	96001-06012	96001-06012-08	BOLT FLANGE SH 6*12	BOLT FLANGE SH 6*12	1	
	96001-06045	96001-06045-08	BOLT FLANGE SH 6*45	BOLT FLANGE SH 6*45	10	
	96001-06050	96001-06050-08	BOLT FLANGE SH 6*50	BOLT FLANGE SH 6*50	2	
	96100-62020	96100-62020-00	BRG BALL RADIAL 6202	BRG BALL RADIAL 6202	1	
	96100-63030	96100-63030-00	BEARING BALL RADIAL 6303	BEARING BALL RADIAL 6303	1	





Sales mark	Ref no	Part no	Description	Reg description	Regd no	E02
12200		12200-LEJ8-E00	HEAD COMP CYLN	HEAD COMP CYLN	1	
12209		12209-GDB4-68A	SEAL VALVE STEM	SEAL VALVE STEM	2	
12209		12209-GDB4-68B	SEAL VALVE STEM	SEAL VALVE STEM	2	
12211		12211-KUDU-900	HOLDER CAM SHAFT	HOLDER CAM SHAFT	1	
12251		12251-LCD4-E00	GASKET CYLINDER HEAD	GASKET CYLINDER HEAD	1	
12310		12310-KHB4-900	COVER COMP HEAD	COVER COMP HEAD	1	
12391		12391-GFY6-941	GASKET HEAD COVER	GASKET HEAD COVER	1	
14100		14100-KFA9-220	SHAFT COMP CAM	SHAFT COMP CAM	1	
14431		14431-KUDU-900	ARM IN VALVE ROCKER	ARM IN VALVE ROCKER	2	
14450		14450-GFY6-901	SHAFT COMP IN ROCKER ARM	SHAFT COMP IN ROCKER ARM	1	
14452		14452-GFY6-901	SHAFT EXH ROCKER ARM	SHAFT EXH ROCKER ARM	1	
14711		14711-KFB7-900	VALVE INLET	VALVE INLET	1	
14721		14721-KFB7-900	VALVE EXHAUST	VALVE EXHAUST	1	
14751		14751-KKJ9-003	SPRG VALVE OUTER	SPRG VALVE OUTER	2	
14761		14761-KKJ9-003	SPG VALVE INNER	SPG VALVE INNER	2	
14771		14771-GDB4-680	RETAINER VALVE SPRING	RETAINER VALVE SPRING	2	
14775		14775-MFA6-001	SEAT VALVE SPG	SEAT VALVE SPG	2	
14781		14781-MFA6-001	COTTER VALVE	COTTER VALVE	4	
16201		16201-GFY6-901	GASKET CARB INSULATOR A	GASKET CARB INSULATOR A	1	
16201		16201-GFY6-910	GASKET CARB INSULATOR A	GASKET CARB INSULATOR A	1	

# Cylinder Head CoverCylinder Head



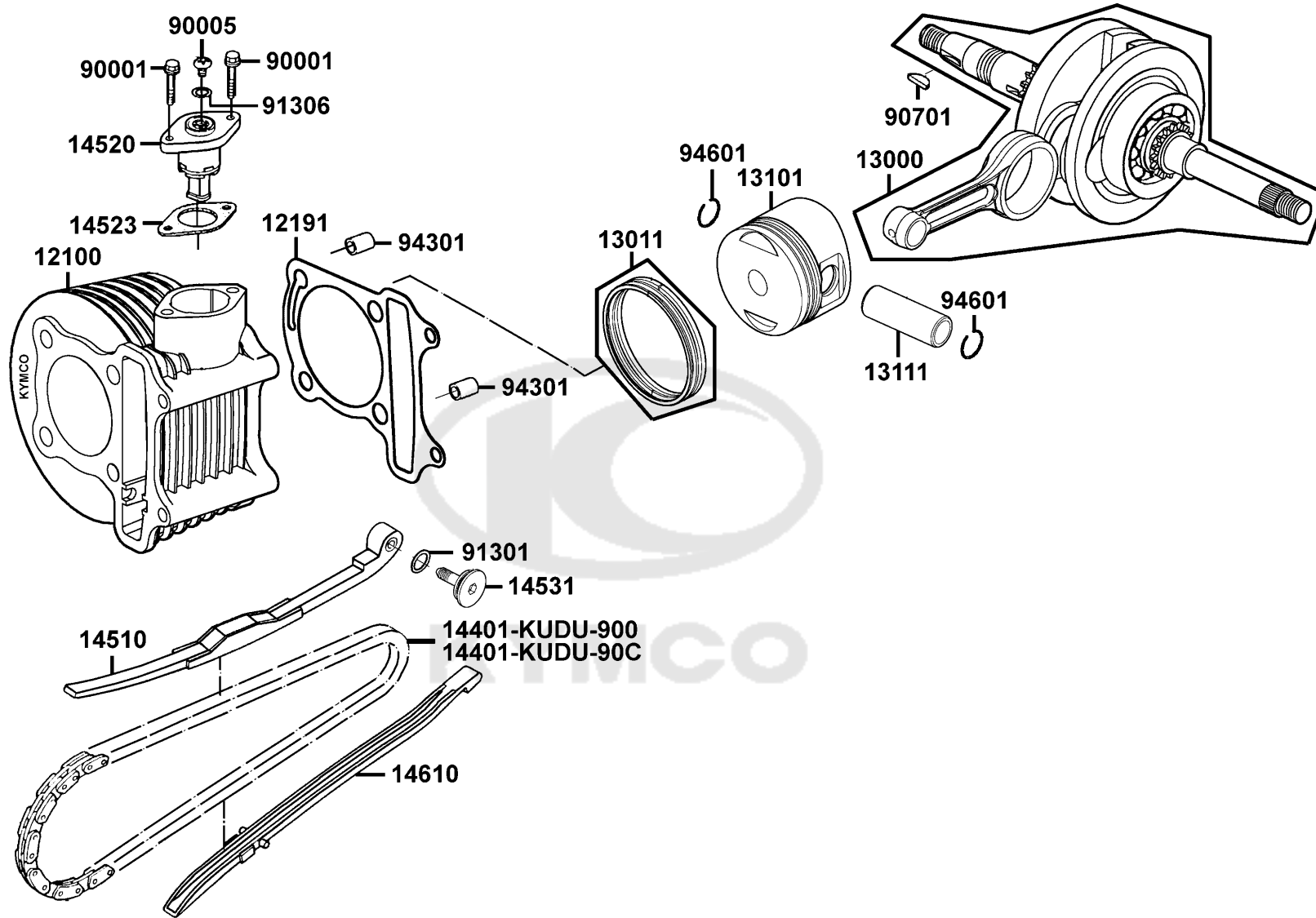
Sales mark	Ref no	Part no	Description	Reg description	Regd no	<b>E02</b>
16211		16211-GFY6-901	INSULATOR CARB	INSULATOR CARB	1	
17113		17113-KKE3-900	O-RING INLET PIPE	O-RING INLET PIPE	1	
1711A		1711A-KKE3-700	PIPE ASSY INLET	PIPE ASSY INLET	1	
17256		17256-GFY6-901	BAND INSULATOR	BAND INSULATOR	1	
18601		18601-MAJ1-791	REED VALVE COMP	REED VALVE COMP	1	
18612		18612-GFY6-941	COVER REED VALVE	COVER REED VALVE	1	
18645		18645-GFY6-941	GSKT A/I PIPE	GSKT A/I PIPE	1	
18646		18646-GFY6-941	GSKT A/I PIPE	GSKT A/I PIPE	1	
18647		18647-GFY6-941	PIPE COMP AIR	PIPE COMP AIR	1	
19625		19625-KUDU-910	SEAL SHROUD	SEAL SHROUD	1	
39300		39300-KKE3-800	FUEL INJECTOR	FUEL INJECTOR	1	
39301		39301-KKE3-910	CUP BRKT ASSY FUEL INJECTOR	CUP BRKT ASSY FUEL INJECTOR	1	
39302		39302-KKE3-900	CLIP SPRING FUEL INJECTOR	CLIP SPRING FUEL INJECTOR	1	
39303		39303-KKE3-900	SEAL HIGH TENSION FUEL	SEAL HIGH TENSION FUEL	1	
39400		39400-KKE3-800	SENSOR HEAD TEMPERATURE	SENSOR HEAD TEMPERATURE	1	
39500		39500-KKE3-800	SENSOR T-MAP	SENSOR T-MAP	1	
90012		90012-3C33-001	SCREW TAPPET ADJUSTING	SCREW TAPPET ADJUSTING	2	
90033		90033-GFY6-900	BOLT STUD 8*32	BOLT STUD 8*32	2	
90206		90206-0A01-001	NUT TAPPET ADJG	NUT TAPPET ADJG	2	
90304		90304-4H38-001	NUT HEX CAP 6MM	NUT HEX CAP 6MM	2	



Sales mark	Ref no	Part no	Description	Reg description	Regd no	<b>E02</b>
90465		90465-MDC4-001	WASHER 8MM	WASHER 8MM	4	
92712		92712-06028-0B	BOLT STUD 6X16	BOLT STUD 6X16	1	
92900		92900-06060-0B	BOLT STUD 6*60	BOLT STUD 6*60	2	
93500		93500-04014-0G	SCREW 4*14	SCREW 4*14	2	
94050-06080		94050-06080	NUT FLANGE 6MM	NUT FLANGE 6MM	2	
94050-08080		94050-08080	NUT FLANGE 8MM	NUT FLANGE 8MM	4	
94111		94111-06800	WASHER SPRING 6MM	WASHER SPRING 6MM	1	
94301		94301-10160	DOWEL PIN 10*16	DOWEL PIN 10*16	4	
94591		94591-KFBF-900	CLIP 2*70	CLIP 2*70	1	
95701-06025-00		95701-06025-00	BOLT FLANGE SH 6*25	BOLT FLANGE SH 6*25	1	
95701-06025-08		95701-06025-08	BOLT FLANGE 6*25	BOLT FLANGE 6*25	2	
95701-06035		95701-06035-08	BOLT FLANGE 6*35	BOLT FLANGE 6*35	1	
95701-06040		95701-06040-00	BOLT FLANGE SH 6*40	BOLT FLANGE SH 6*40	2	
95701-06050		95701-06050-08	BOLT FLANGE 6*50	BOLT FLANGE 6*50	1	
96001-06018		96001-06018-08	BOLT FLANGE SH 6*18	BOLT FLANGE SH 6*18	1	
96001-06100		96001-06100-08	BOLT FLANGE SH 6*100	BOLT FLANGE SH 6*100	2	
98056		98056-5771R-00	SPARK PLUG (CR7HSA)	SPARK PLUG (CR7HSA)	1	

E03

# CylinderPistonCrankshaft

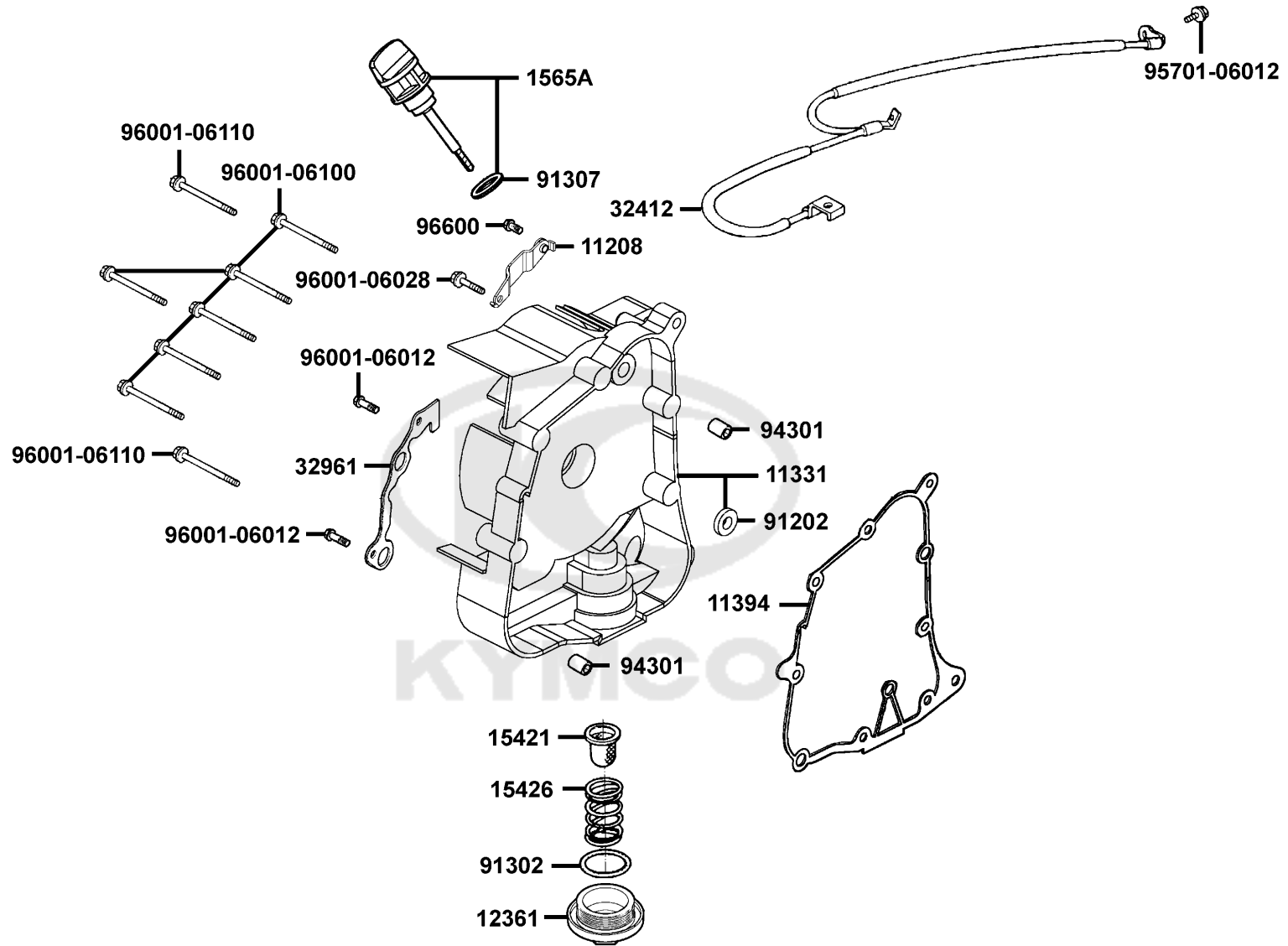




Sales mark	Ref no	Part no	Description	Reg description	Regd no	E03
12100		12100-LCD4-E00	CYLINDER COMP	CYLINDER COMP	1	
12191		12191-LCD4-E00	GASKET CYLINDER @ A	GASKET CYLINDER @ A	1	
13000		13000-KFB7-900	CRANK SHAFT COMP	CRANK SHAFT COMP	1	
13011		13011-LCD4-E00	RING ASSY PISTON	RING ASSY PISTON	1	
13101		13101-LCD4-E00	PISTON	PISTON	1	
13111		13111-KKJ9-001	PIN PISTON	PIN PISTON	1	
14401-KUDU-900		14401-KUDU-900	CHAIN CAM	CHAIN CAM	1	
14401-KUDU-90C		14401-KUDU-90C	CHAIN CAM	CHAIN CAM	1	
14510		14510-KUDU-C00	TENSIONER CAM CHAIN	TENSIONER CAM CHAIN	1	
14523		14523-GFY6-901	GASKET TENSIONER LIFTER @A	GASKET TENSIONER LIFTER @A	1	
14531		14531-GLR0-001	PIVOT CAM CHAIN TENSIONER	PIVOT CAM CHAIN TENSIONER	1	
14610		14610-KUDU-C00	GUIDE COMP CAM CHAIN	GUIDE COMP CAM CHAIN	1	
90001		90001-GBHB-661	BOLT FLANGE SH 6*22	BOLT FLANGE SH 6*22	2	
90005		90005-KAW1-901	SCREW PAN 6*6	SCREW PAN 6*6	1	
90701		90701-HFB6-011	KEY WOODRUFF 25*14*4	KEY WOODRUFF 25*14*4	1	
91301		91301-GLR0-005	O-RING 15.2*1.5	O-RING 15.2*1.5	1	
91306		91306-1E05-691	O-RING 1.5*9.5	O-RING 1.5*9.5	1	
94301		94301-10160	DOWEL PIN 10*16	DOWEL PIN 10*16	2	
94601		94601-LEJ8-900	CLIP. PISTON PIN	CLIP. PISTON PIN	1	

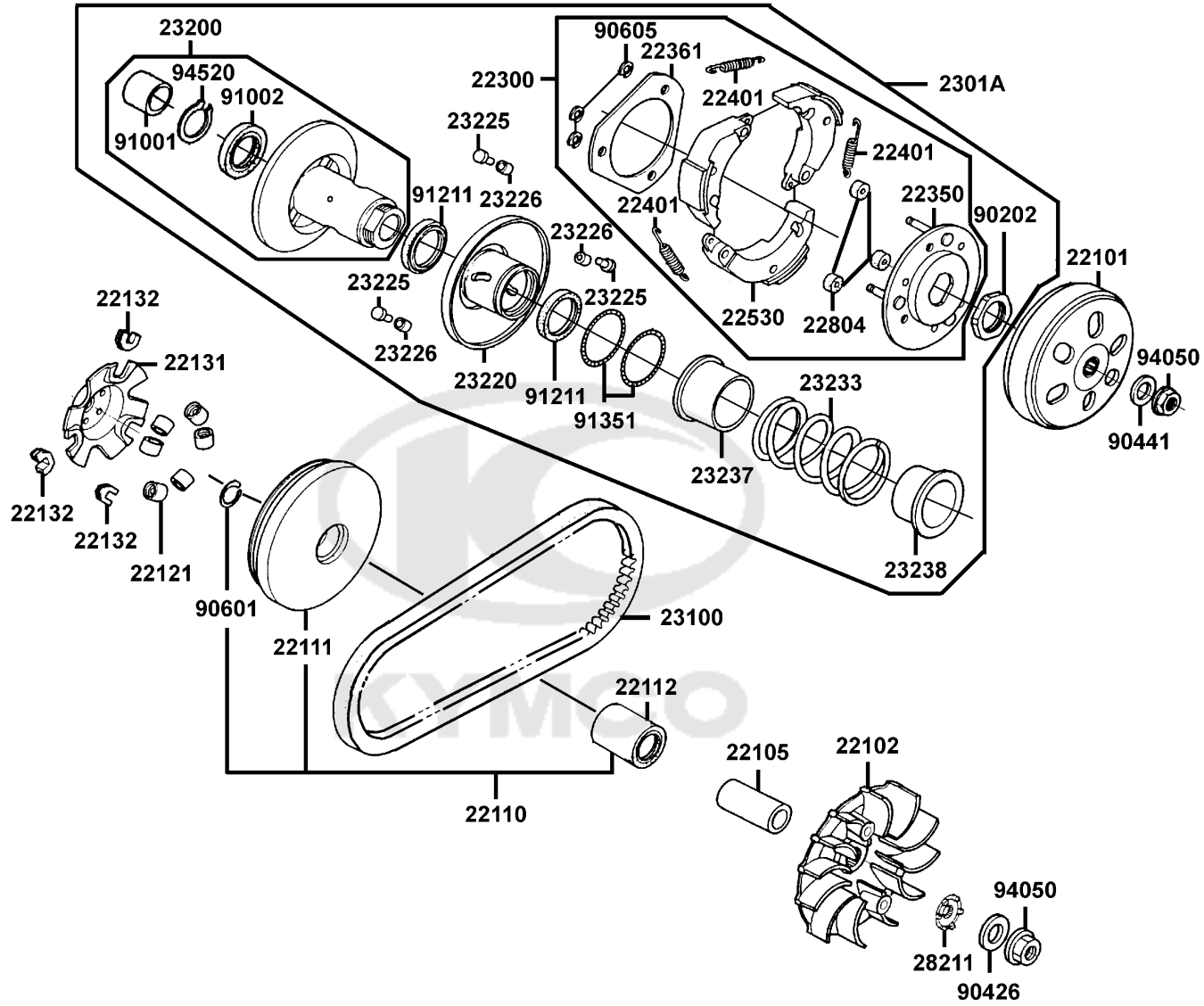
E04

# Right Crankcase Cover



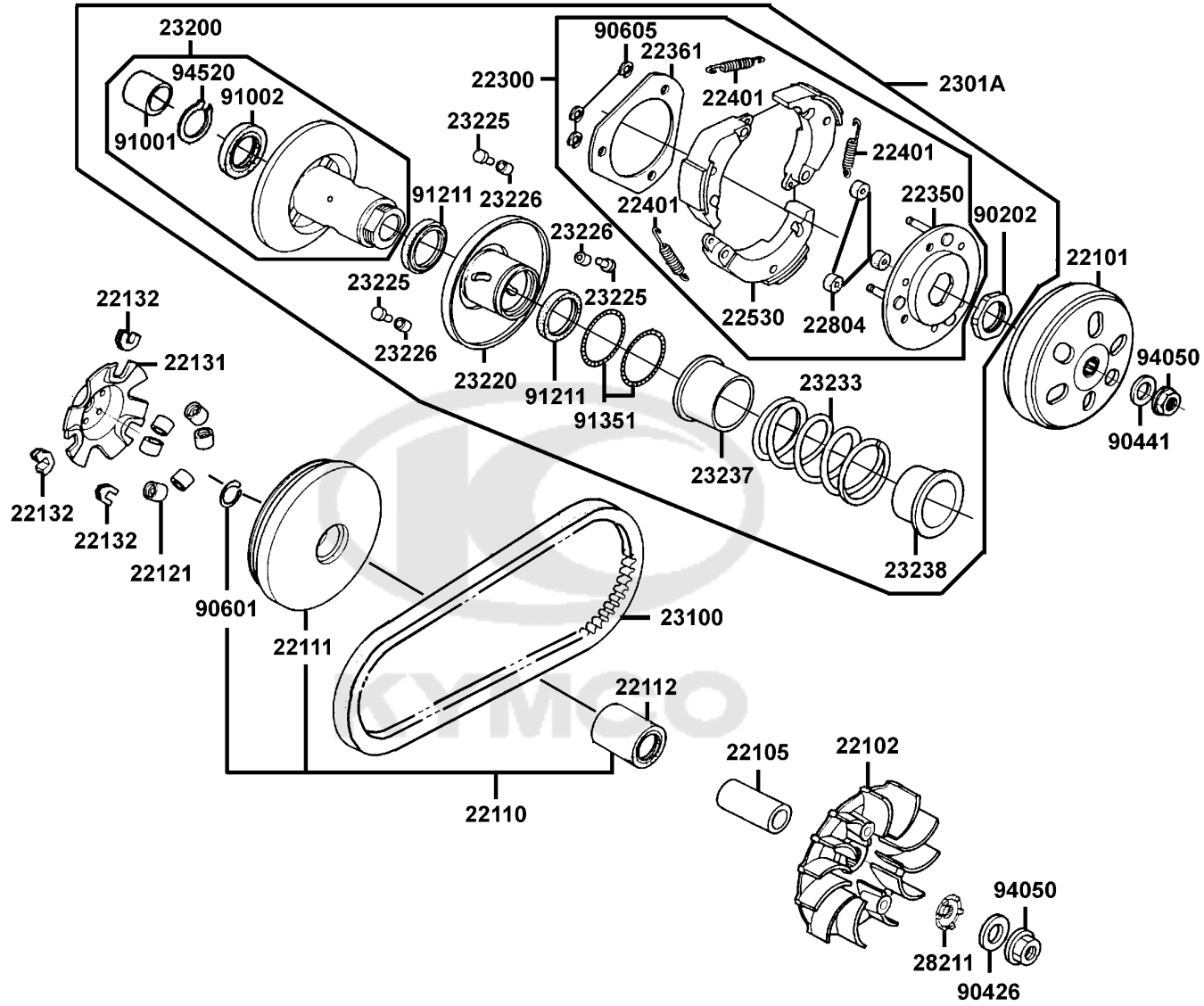
Sales mark	Ref no	Part no	Description	Reg description	Regd no	<b>E04</b>
11208		11208-LCD3-E00	CLAMP BRAKE WIRE	CLAMP BRAKE WIRE	1	
11331		11331-LCD3-E00	COVER R CRANK CASE	COVER R CRANK CASE	1	
11394		11394-KUDU-900	GASKET R COVER	GASKET R COVER	1	
11394		11394-KUDU-980	GASKET R COVER	GASKET R COVER	1	
12361		12361-GFY6-901	HOLE CAP TAPPET ADJUSTING	HOLE CAP TAPPET ADJUSTING	1	
15421		15421-1G07-001	SCREEN OIL FILTER	SCREEN OIL FILTER	1	
15426		15426-GAE1-921	SPG OIL FILTER SCREEN	SPG OIL FILTER SCREEN	1	
1565A		1565A-KUDU-900	GAUGE OIL LEVEL ASSY	GAUGE OIL LEVEL ASSY	1	
32412		32412-LCD3-E00	CABLE EARTH	CABLE EARTH	1	
32961		32961-KUDU-900	CLAMPER ACG CORD	CLAMPER ACG CORD	1	
91202		91202-GFY6-90B	OIL SEAL 19.8*30*5	OIL SEAL 19.8*30*5	1	
91302		91302-0A01-021	O-RING 30.8MM	O-RING 30.8MM	1	
91307		91307-0E35-001	O RING 18*3	O RING 18*3	1	
94301		94301-10160	DOWEL PIN 10*16	DOWEL PIN 10*16	2	
95701		95701-06012-08	BOLT FLANGE 6*12	BOLT FLANGE 6*12	1	
96001-06012		96001-06012-08	BOLT FLANGE SH 6*12	BOLT FLANGE SH 6*12	2	
96001-06028		96001-06028-08	BOLT FLANGE SH 6*28	BOLT FLANGE SH 6*28	1	
96001-06100		96001-06100-08	BOLT FLANGE SH 6*100	BOLT FLANGE SH 6*100	6	
96001-06110		96001-06110-08	BOLT FLANGE SH 6*110	BOLT FLANGE SH 6*110	2	
96600		96600-LCD3-E00	SOCKET BOLT 6x12	SOCKET BOLT 6x12	1	

Driven Pulley

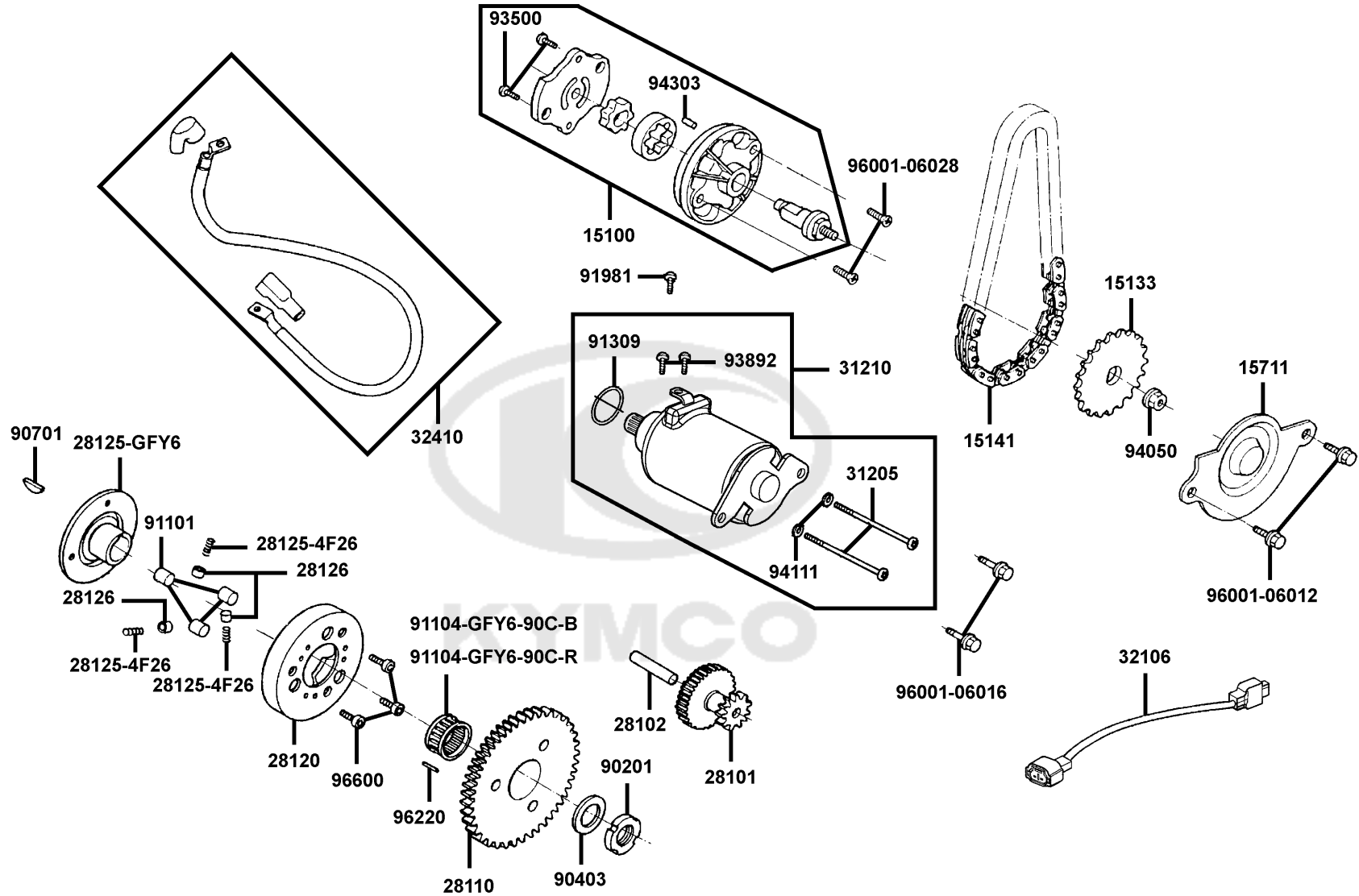


Sales mark	Ref no	Part no	Description	Reg description	Regd no	<b>E05</b>
22101		22101-GFY6-941	CLUTCH OUTER	CLUTCH OUTER	1	
22102		22102-KUDU-220	FACE DRIVE	FACE DRIVE	1	
22105		22105-GFY6-220	BOSS DRIVE FACE	BOSS DRIVE FACE	1	
22110		22110-KUDU-220	FACE COMP MOVABLE DRIVE	FACE COMP MOVABLE DRIVE	1	
22111		22111-KUDU-220	FACE MOVABLE DRIVE	FACE MOVABLE DRIVE	1	
22112		22112-GFY6-90A	BUSH 24*28*30	BUSH 24*28*30	1	
22121		22121-GFY6-92A	ROLLER COMP WEIGHT	ROLLER COMP WEIGHT	6	
22131		22131-GFY6-901	PLATE RAMP	PLATE RAMP	1	
22132		22132-KBN2-901	PIECE SLIDE	PIECE SLIDE	3	
22300		22300-LHJ3-900	PLATE ASSY DRIVE	PLATE ASSY DRIVE	1	
22350		22350-GFY6-90A	PLATE COMP DRIVE	PLATE COMP DRIVE	1	
22350		22350-LHJ3-900	PLATE COMP DRIVE	PLATE COMP DRIVE	1	
22361		22361-KGN7-671	PLATE CLUTCH SIDE	PLATE CLUTCH SIDE	1	
22361		22361-LHJ3-900	PLATE CLUTCH SIDE	PLATE CLUTCH SIDE	1	
22401		22401-LCD4-E00	SPG CLUTCH	SPG CLUTCH	3	
22401		22401-LHJ3-900	SPRING CLUTCH	SPRING CLUTCH	3	
22530		22530-LHJ3-900	WEIGHT CLUTCH	WEIGHT CLUTCH	3	
22804		22804-GBB2-001	RUBBER CLUTCH DUMRER	RUBBER CLUTCH DUMRER	3	
2301A		2301A-KEC6-900	PULLEY SUB ASSY	PULLEY SUB ASSY	1	
23100		23100-LCD4-E0A	BELT DRIVE	BELT DRIVE	1	

Driven Pulley

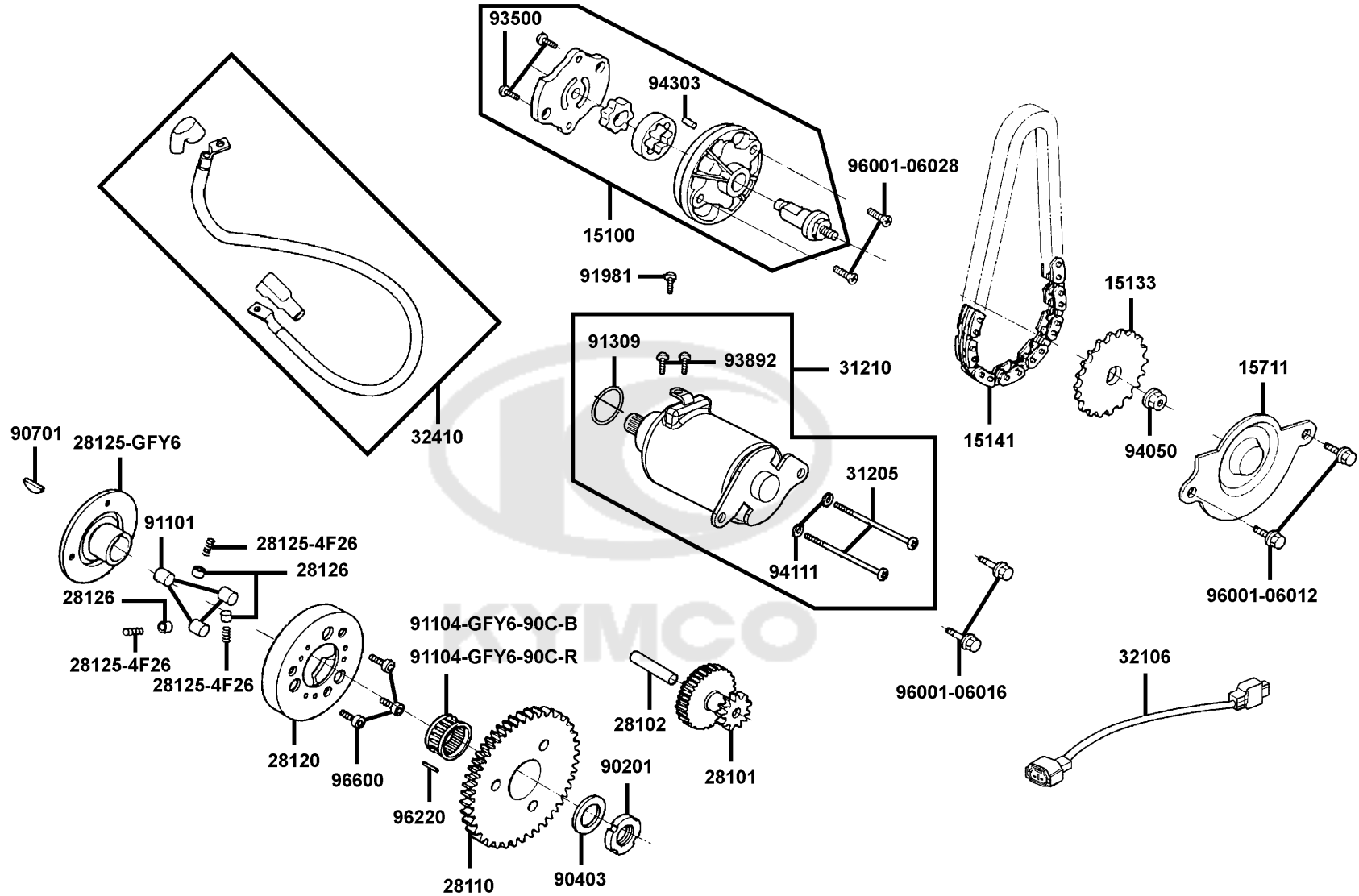


Sales mark	Ref no	Part no	Description	Reg description	Regd no	<b>E05</b>
23200		23200-GFY6-901	FACE ASSY DRIVEN	FACE ASSY DRIVEN	1	
23220		23220-KFBF-900	FACE COMP MOVABLE DRIVEN	FACE COMP MOVABLE DRIVEN	1	
23225		23225-GHC8-004	PIN ROLLER GUIDE	PIN ROLLER GUIDE	3	
23226		23226-GHC8-004	ROLLER GUIDE	ROLLER GUIDE	3	
23233		23233-GCW3-011	DRIVEN FACE SPRING	DRIVEN FACE SPRING	1	
23237		23237-GFY6-941	COLLAR SEAL	COLLAR SEAL	1	
23238		23238-GFY6-941	COLLAR SPRING	COLLAR SPRING	1	
28211		28211-KUDU-900	RATCHET KICK STARTER	RATCHET KICK STARTER	1	
90202		90202-1G87-001	NUT SPECIAL 28MM	NUT SPECIAL 28MM	1	
90426		90426-KNBN-901	WASHER SPECIAL 12MM	WASHER SPECIAL 12MM	1	
90441		90441-GFY6-941	WASHER 12. 2*29*2.5	WASHER 12. 2*29*2.5	1	
90601		90601-GFY6-901	CLIP 28MM	CLIP 28MM	1	
90605		90605-1F66-721	CIR CLIP 7MM	CIR CLIP 7MM	3	
91001		91001-GFY6-90A	BRG NDL 20*29*18	BRG NDL 20*29*18	1	
91002		91002-GGA7-70A	BRG BALL RADIAL 6902U 15*28*7	BRG BALL RADIAL 6902U 15*28*7	1	
91211		91211-KEBE-900	SEAL DRIVEN FACE 34*41*4	SEAL DRIVEN FACE 34*41*4	2	
91351		91351-6B42-000	O-RING PINION CAP	O-RING PINION CAP	2	
94050		94050-12080	NUT FLANGE 12MM	NUT FLANGE 12MM	2	
94520		94520-28000	CIR CLIP IN 28MM	CIR CLIP IN 28MM	1	





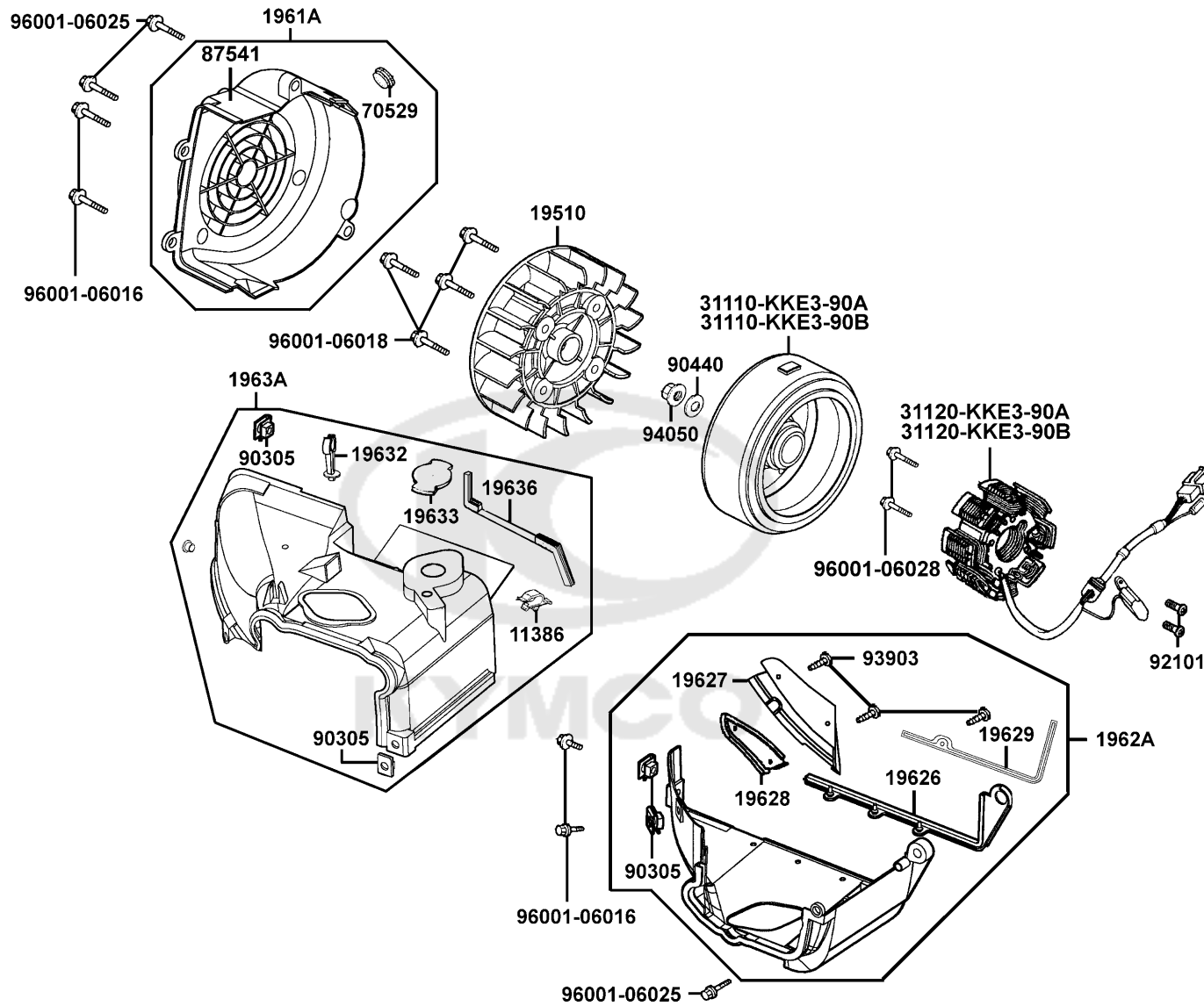
Sales mark	Ref no	Part no	Description	Reg description	Regd no	E06
	15100	15100-KFB7-900	PUMP ASSY OIL	PUMP ASSY OIL	1	
	15133	15133-GFY6-901	SPROCKET OIL PUMP DRIVEN	SPROCKET OIL PUMP DRIVEN	1	
	15141	15141-GFY6-90B	CHAIN OIL PUMP	CHAIN OIL PUMP	1	
	15141	15141-GFY6-90C	CHAIN OIL PUMP	CHAIN OIL PUMP	1	
	15711	15711-KUDU-900	SEPARATER OIL	SEPARATER OIL	1	
	28101	28101-GFY6-901	GEAR STARTER REDUCTION	GEAR STARTER REDUCTION	1	
	28102	28102-GFY6-901	SHAFT START REDUCTION GEAR	SHAFT START REDUCTION GEAR	1	
	28110	28110-GFY6-901	GEAR COMP STARTING CLUTCH	GEAR COMP STARTING CLUTCH	1	
	28120	28120-GFY6-315	OUTER COMP STARTING CLUTCH	OUTER COMP STARTING CLUTCH	1	
	28125-4F26	28125-4F26-001	SPRING ROLLER STARTER CLUTCH	SPRING ROLLER STARTER CLUTCH	3	
	28125-GFY6	28125-GFY6-960	FLANGE STARTING CLUTCH	FLANGE STARTING CLUTCH	1	
	28126	28126-KUDU-900	CAP STARTING ROLLER SPRING	CAP STARTING ROLLER SPRING	3	
	31205	31205-KGN7-670	BOLT SET	BOLT SET	2	
	31210	31210-GFY6-200	MOTOR UNIT START	MOTOR UNIT START	1	
	31210	31210-GFY6-20C	MOTOR UNIT START	MOTOR UNIT START	1	
	32106	32106-KKE3-900	SUB HARNESS A	SUB HARNESS A	1	
	32410	32410-KUDU-900	CABLE START MOTOR	CABLE START MOTOR	1	
	90201	90201-GFY6-901	NUT LOCK 22MM	NUT LOCK 22MM	1	
	90403	90403-KUDU-900	WASHER THRUST 22. 2*39*2.5	WASHER THRUST 22. 2*39*2.5	1	
	90701	90701-HFB6-011	KEY WOODRUFF 25*14*4	KEY WOODRUFF 25*14*4	1	



Sales mark	Ref no	Part no	Description	Reg description	Regd no	<b>E06</b>
91101		91101-1K79-711	ROLLER 10*10	ROLLER 10*10	3	
91104-GFY6-90C-B	91104-GFY6-90C-B		BRG NEEDLE 28*32*17	BRG NEEDLE 28*32*17	1	
91104-GFY6-90C-R	91104-GFY6-90C-R		BRG NEEDLE 28*32*17	BRG NEEDLE 28*32*17	1	
91309		91309-4E25-004	O-RING 24.4*3.1	O-RING 24.4*3.1	1	
91981		91981-KGN7-670	SCREW WASH 5*8	SCREW WASH 5*8	1	
93500		93500-03010-1A	SCREW PAN 3*12	SCREW PAN 3*12	1	
93892		93892-04006-08	SCREW-WASHER 4*6	SCREW-WASHER 4*6	2	
94050		94050-06080	NUT FLANGE 6MM	NUT FLANGE 6MM	1	
94111		94111-05800	WASHER SPRING 5MM	WASHER SPRING 5MM	2	
94303		94303-04065	PIN C DOWEL 4*6.5	PIN C DOWEL 4*6.5	1	
96001-06012		96001-06012-08	BOLT FLANGE SH 6*12	BOLT FLANGE SH 6*12	2	
96001-06016		96001-06016-08	BOLT FLANGE SH 6*16	BOLT FLANGE SH 6*16	2	
96001-06028		96001-06028-08	BOLT FLANGE SH 6*28	BOLT FLANGE SH 6*28	2	
96220		96220-60100	ROLLER 6*10	ROLLER 6*10	1	
96600		96600-08010-10	SOCKET BOLT 8*10	SOCKET BOLT 8*10	3	

E07

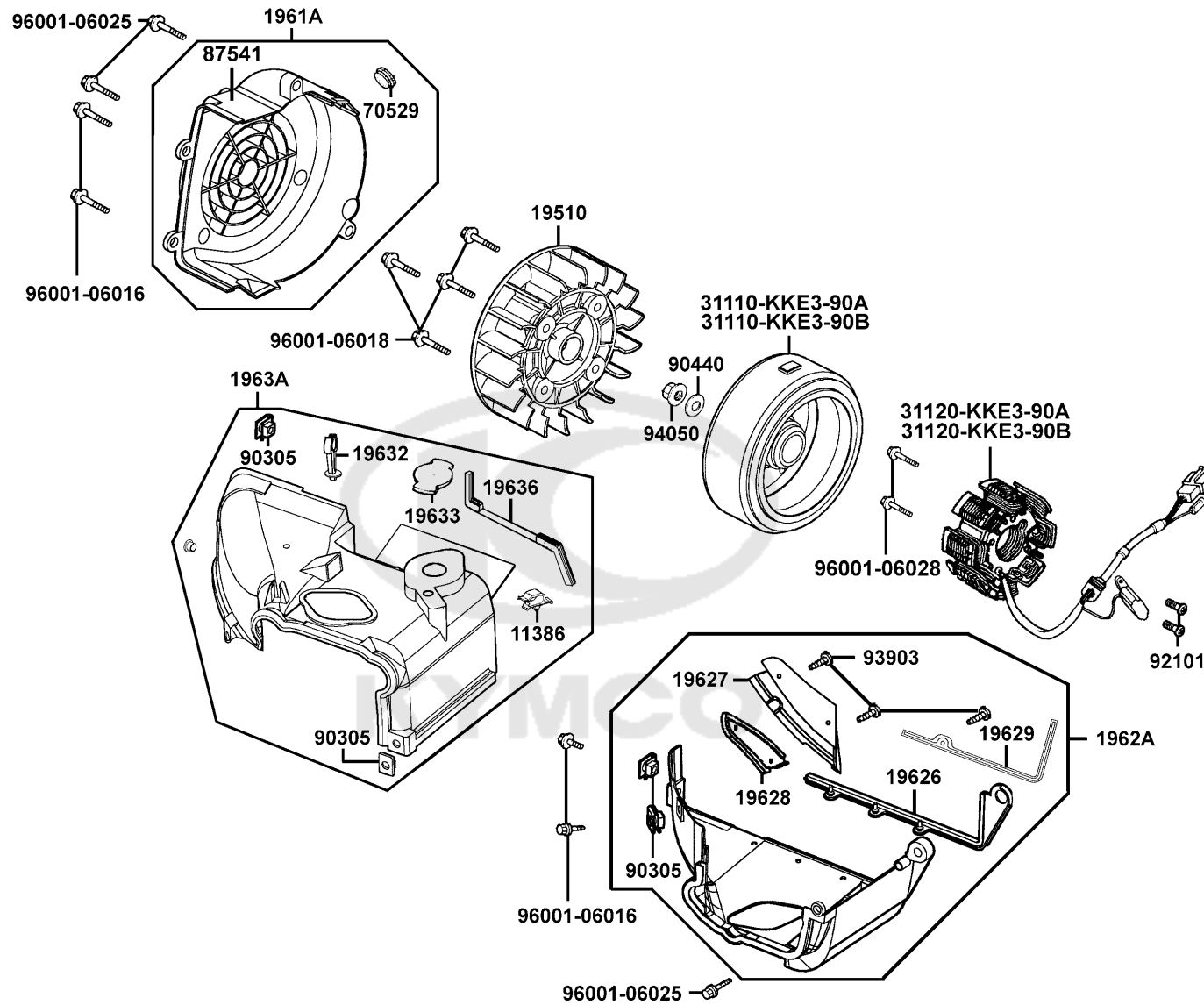
# Fan CoverGenerator



Sales mark	Ref no	Part no	Description	Reg description	Regd no	<b>E07</b>
	11386	11386-GFY6-900	CLIP VACUUM TUBE	CLIP VACUUM TUBE	1	
	19510	19510-KFB7-900	FAN COMP COOLING	FAN COMP COOLING	1	
	1961A	1961A-KUDU-E10	COVER ASSY FAN	COVER ASSY FAN	1	
	19626	19626-KUDU-900	SEAL SHROUD A	SEAL SHROUD A	1	
	19627	19627-LEJ8-E00	BAFFLE	BAFFLE	1	
	19628	19628-LEJ8-E00	SEAL A BAFFLE	SEAL A BAFFLE	1	
	19629	19629-LEJ8-E00	SEAL B BAFFLE	SEAL B BAFFLE	1	
	1962A	1962A-LEJ8-E00	SHROUD ASSY A	SHROUD ASSY A	1	
	19632	19632-GFY6-901	CLIP HIGHTENSION CORD	CLIP HIGHTENSION CORD	1	
	19633	19633-GFY6-901	GROMMET SHROUD B	GROMMET SHROUD B	1	
	19636	19636-KUDU-C00	SEAL SHROUD B	SEAL SHROUD B	1	
	1963A	1963A-LEJ8-E00	SHROUD ASSY B	SHROUD ASSY B	1	
	31110-KKE3-90A	31110-KKE3-90A	FLYWHEEL COMP /D406	FLYWHEEL COMP /D406	1	
	31110-KKE3-90B	31110-KKE3-90B	FLYWHEEL COMP /D402	FLYWHEEL COMP /D402	1	
	31120-KKE3-90A	31120-KKE3-90A	STATOR COMP /D406	STATOR COMP /D406	1	
	31120-KKE3-90B	31120-KKE3-90B	STATOR COMP /D402	STATOR COMP /D402	1	
	70529	70529-6G57-671	GROM B SIDE PNL	GROM B SIDE PNL	1	
**	87541	87541-KUDU-E00	LABEL OIL CAP	LABEL OIL CAP	1	
	90305	90305-GHK8-001	NUT CLIP 6MM	NUT CLIP 6MM	4	
	90440	90440-1F66-001	WASHER PLAIN 12MM	WASHER PLAIN 12MM	1	

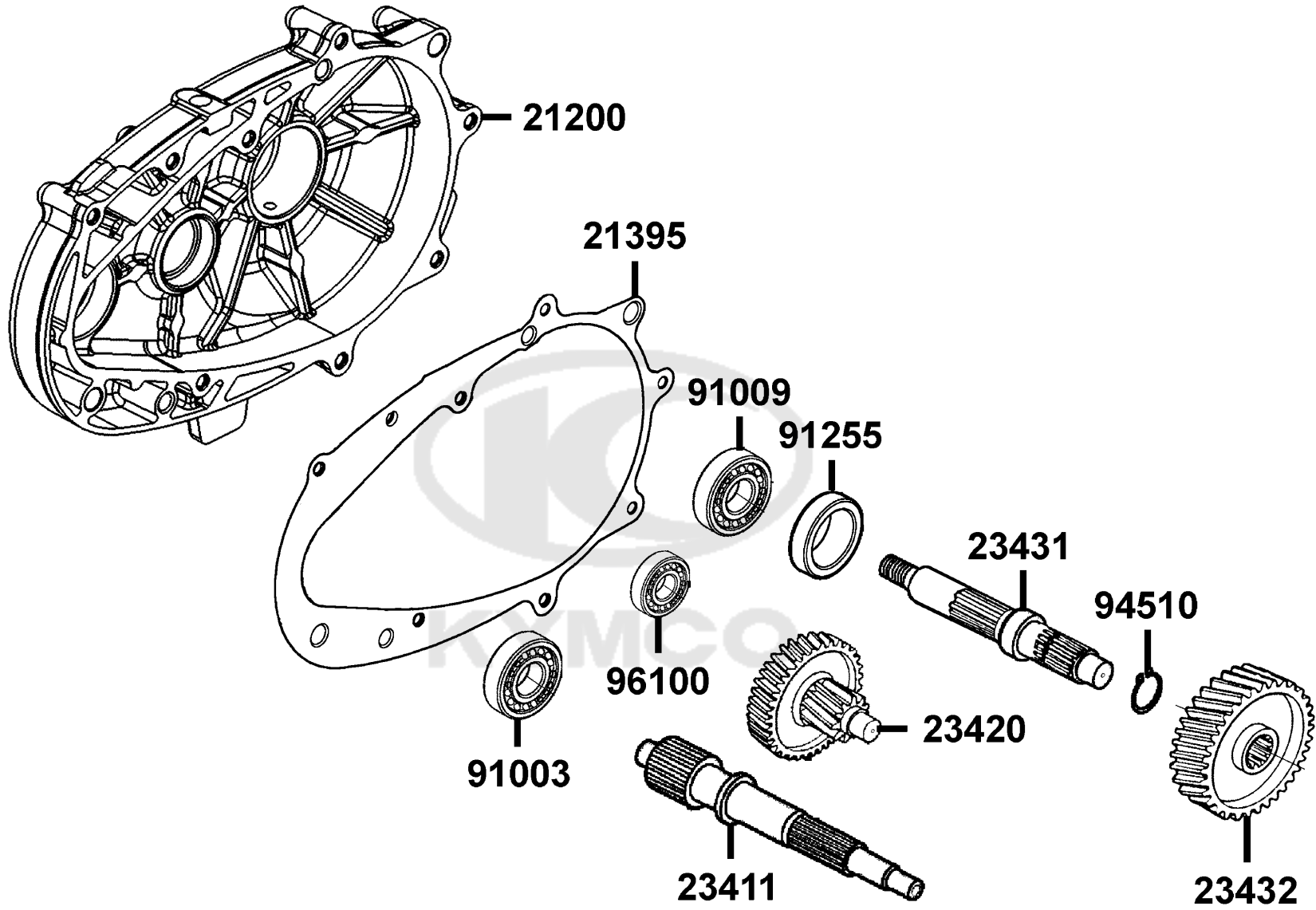
E07

# Fan CoverGenerator



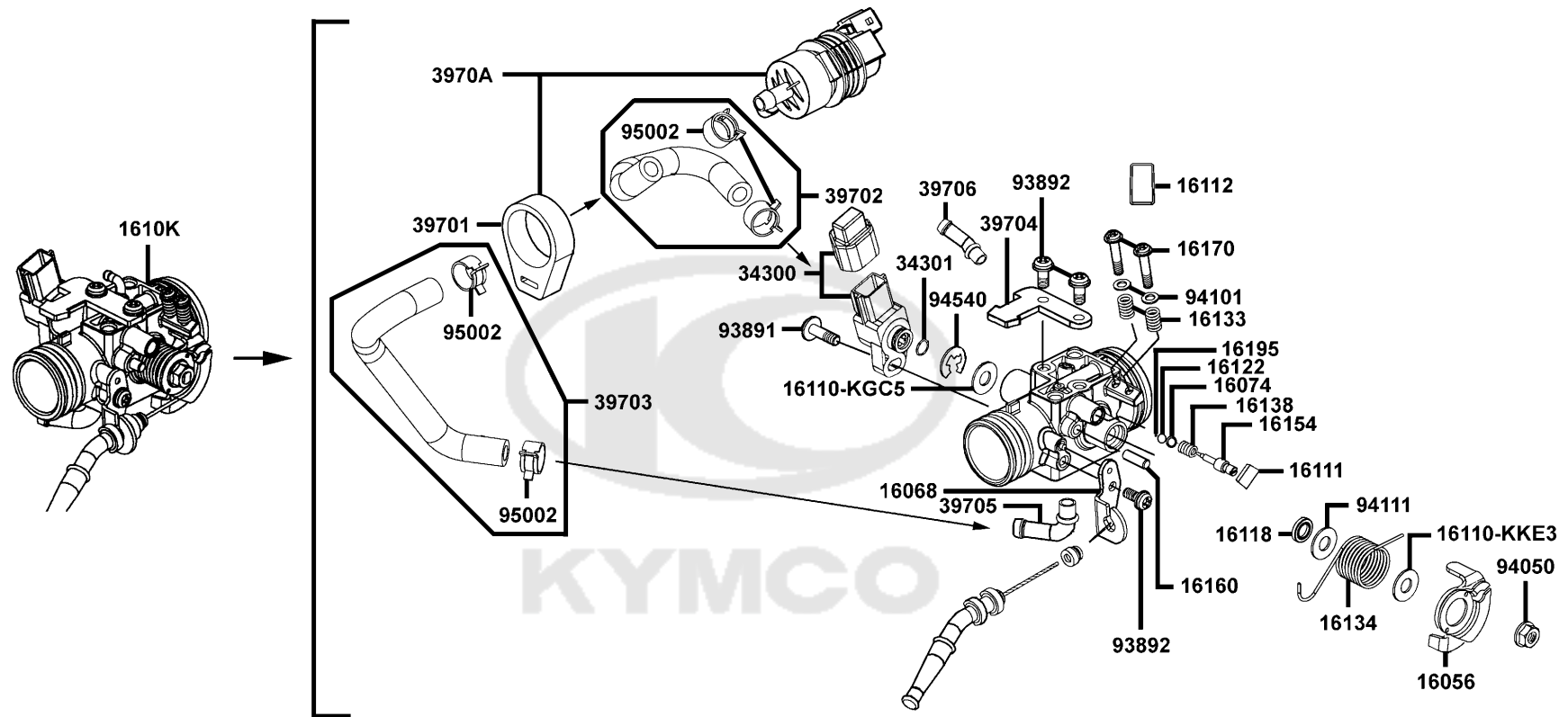
Sales mark	Ref no	Part no	Description	Reg description	Regd no	<b>E07</b>
	92101	92101-05012-0H	BOLT HEX 5*12	BOLT HEX 5*12	2	
	93903	93903-34360	SCREW TAPPING 4*12	SCREW TAPPING 4*12	3	
	94050	94050-12080	NUT FLANGE 12MM	NUT FLANGE 12MM	1	
	96001-06016	96001-06016-08	BOLT FLANGE SH 6*16	BOLT FLANGE SH 6*16	4	
	96001-06018	96001-06018-08	BOLT FLANGE SH 6*18	BOLT FLANGE SH 6*18	4	
	96001-06025	96001-06025-08	BOLT FLANGE SH 6*25	BOLT FLANGE SH 6*25	3	
	96001-06028	96001-06028-08	BOLT FLANGE SH 6*28	BOLT FLANGE SH 6*28	2	



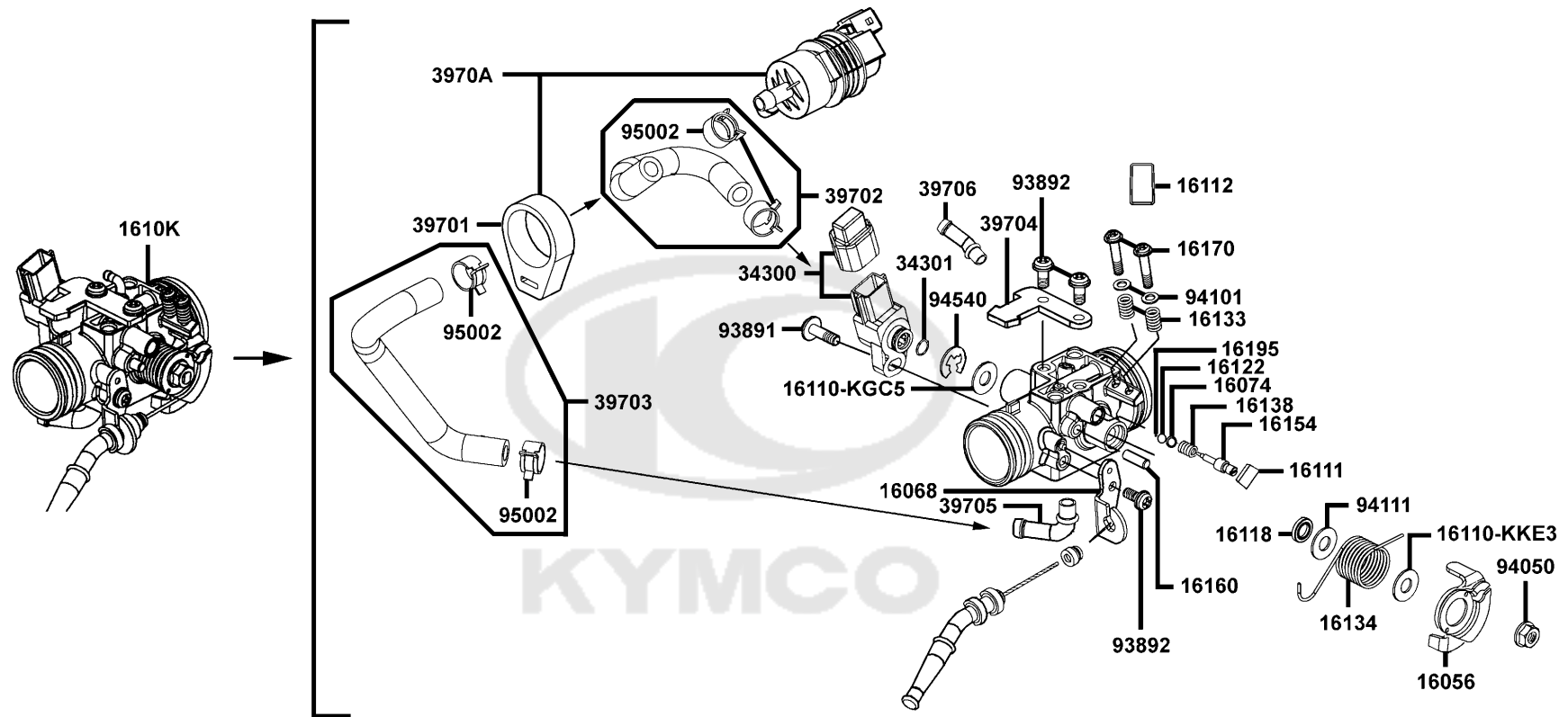




Sales mark	Ref no	Part no	Description	Reg description	Regd no	<b>E08</b>
21200		21200-LEJ8-E00	CASE COMP ., MISSION	CASE COMP ., MISSION	1	
21395		21395-LCD3-E0A	GASKET MISSION CASE @ A	GASKET MISSION CASE @ A	1	
23411		23411-KHB4-900	SHAFT DRIVEN	SHAFT DRIVEN	1	
23420		23420-LCD3-E00	SHAFT COMP COUNTER	SHAFT COMP COUNTER	1	
23431		23431-KHB4-900	SHAFT FINAL	SHAFT FINAL	1	
23432		23432-LCD3-E00	GEAR FINAL	GEAR FINAL	1	
91003		91003-KDS4-004	BRG BALL RADIAL 6301TMB	BRG BALL RADIAL 6301TMB	1	
91009		91009-GLE0-004	BRG BALL RADIAL 6004 UU	BRG BALL RADIAL 6004 UU	1	
91255		91255-GLE0-006	OIL SEAL 27*42*7	OIL SEAL 27*42*7	1	
94510		94510-20000	CIR CLIP EXTERNAL 20	CIR CLIP EXTERNAL 20	1	
96100		96100-60020-00	BRG BALL RADIAL 6002	BRG BALL RADIAL 6002	1	



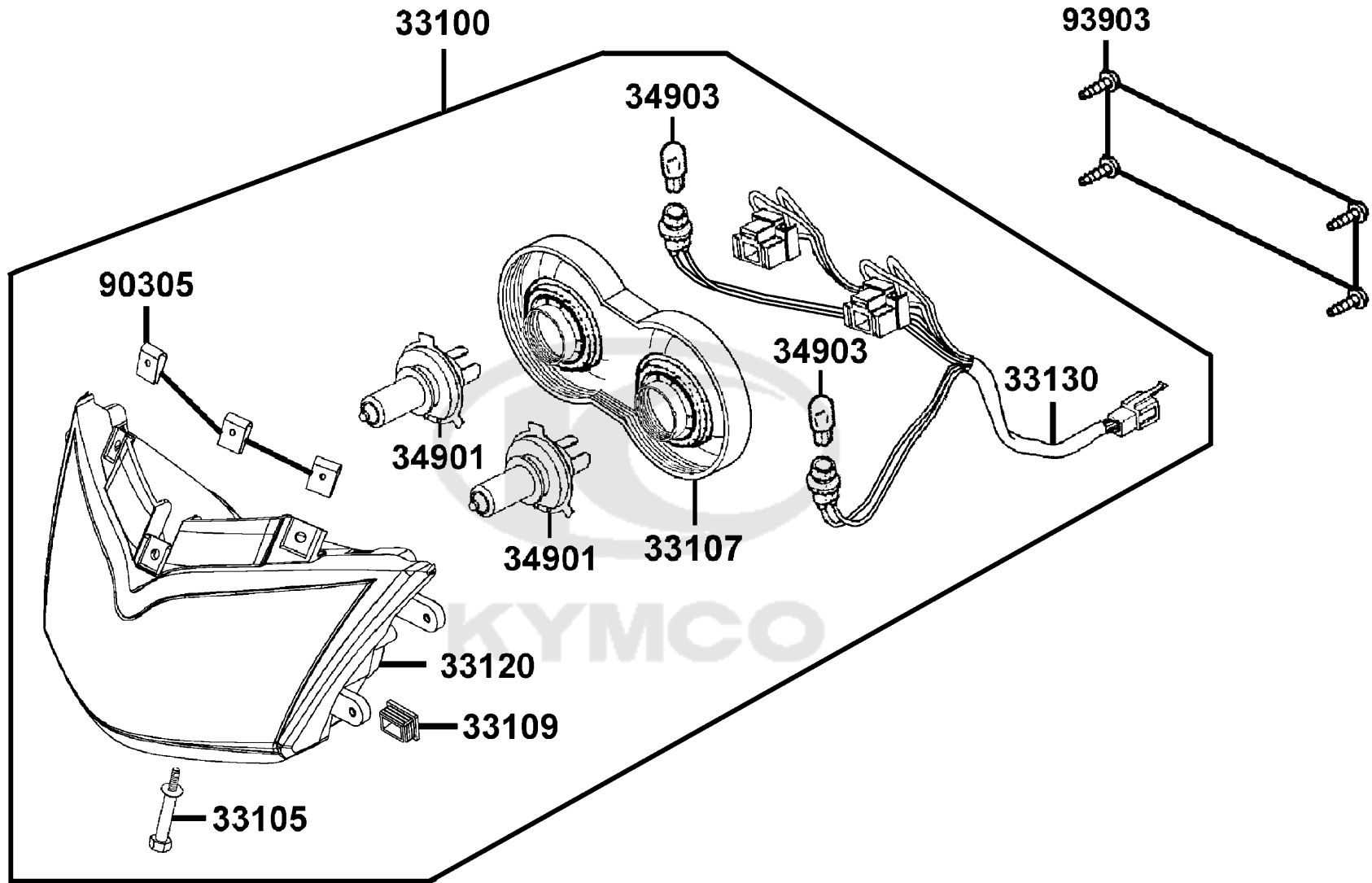
Sales mark	Ref no	Part no	Description	Reg description	Regd no	<b>E09</b>
16056		16056-KKE3-900	LEVER ASSY THROTTLE	LEVER ASSY THROTTLE	1	
16068		16068-KKE3-900	PLATE WIRE FIXED	PLATE WIRE FIXED	1	
16074		16074-KEC3-900	WASHER IDLE SCREW	WASHER IDLE SCREW	1	
1610K		1610K-LEJ8-E00	THROTTLE BODY ASSY	THROTTLE BODY ASSY	1	
16110-KGC5		16110-KGC5-900	WASHER THROTTLE ASSY	WASHER THROTTLE ASSY	1	
16110-KKE3		16110-KKE3-900	WASHER THROTTLE COMP	WASHER THROTTLE COMP	1	
16111		16111-KKE3-900	PLUG PILOT SCREW	PLUG PILOT SCREW	1	
16112		16112-KKE3-900	COVER IDLE SCREW	COVER IDLE SCREW	1	
16118		16118-KEC3-900	SEAL THROTTLE SHAFT	SEAL THROTTLE SHAFT	1	
16122		16122-KEC3-900	O-RING IDLE SCREW	O-RING IDLE SCREW	1	
16133		16133-KEC3-900	SPG THROTTLE ADJ SCREW	SPG THROTTLE ADJ SCREW	2	
16134		16134-KKE3-900	SPRING THROTTLE SHAFT	SPRING THROTTLE SHAFT	1	
16138		16138-KEC3-900	SPG IDLE SCREW	SPG IDLE SCREW	1	
16154		16154-KKE3-900	SCREW IDLE ADJUST	SCREW IDLE ADJUST	1	
16160		16160-KKE3-900	STOPPER THROTTLE	STOPPER THROTTLE	1	
16170		16170-KEC3-900	SCREW THROTTLE ADJUST	SCREW THROTTLE ADJUST	2	
16195		16195-KEC3-900	BALL 2.1	BALL 2.1	1	
34300		34300-KKE3-900	THROTTLE POSITION SENSOR	THROTTLE POSITION SENSOR	1	
34301		34301-KKE3-900	O-RING THROTTLE POSITION SENSOR	O-RING THROTTLE POSITION SENSOR	1	
39701		39701-KKE3-800	RUBBER BY-PASS VALVE MOUNT	RUBBER BY-PASS VALVE MOUNT	1	



Sales mark	Ref no	Part no	Description	Reg description	Regd no	<b>E09</b>
39702		39702-LEJ8-E00	TUBE ASSY BY-PASS VALVE INLET	TUBE ASSY BY-PASS VALVE INLET	1	
39703		39703-KKE3-900	TUBE ASSY BY-PASS VALVE OUTLET	TUBE ASSY BY-PASS VALVE OUTLET	1	
39704		39704-KKE3-900	BRACKET BY-PASS	BRACKET BY-PASS	1	
39705		39705-KKE3-900	PIPE BY PASS VALVE	PIPE BY PASS VALVE	1	
39706		39706-KKE3-900	PIPE B BY PASS VALVE	PIPE B BY PASS VALVE	1	
3970A		3970A-KKE3-800	BY PASS VALVE IDLE AIR	BY PASS VALVE IDLE AIR	1	
93891		93891-05016-08	SCREW WASHER 5*16	SCREW WASHER 5*16	1	
93892		93892-05010-08	SCREW WASHER 5*10	SCREW WASHER 5*10	3	
94050		94050-06080	NUT FLANGE 6MM	NUT FLANGE 6MM	1	
94101		94101-KKE3-900	WASHER SPG 4MM	WASHER SPG 4MM	2	
94111		94111-06800	WASHER SPRING 6MM	WASHER SPRING 6MM	1	
94540		94540-50029	E CLIP SHAFT	E CLIP SHAFT	1	
95002		95002-41200-08	FUEL TUBE CLAMP	FUEL TUBE CLAMP	4	

F01

Head Light

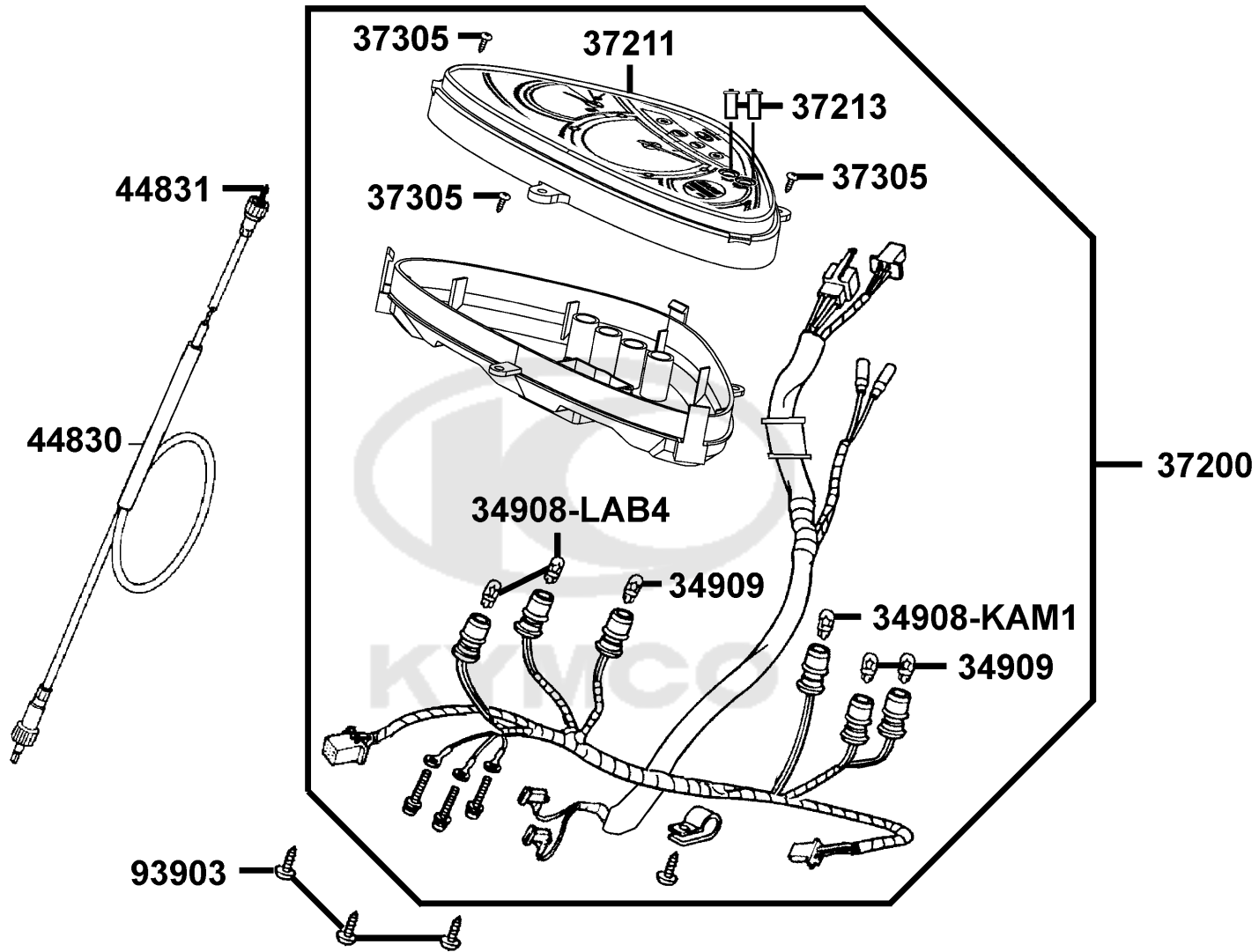


Sales mark	Ref no	Part no	Description	Reg description	Regd no	<b>F01</b>
	33100	33100-LCD3-E01	LIGHT ASSY HEAD	LIGHT ASSY HEAD	1	
	33105	33105-LCD3-E00	BOLT ADJUST	BOLT ADJUST	1	
	33107	33107-LCD3-E00	COVER RUBBER	COVER RUBBER	1	
	33109	33109-LCD3-E00	COVER RUBBER A	COVER RUBBER A	1	
	33120	33120-LCD3-E01	UNIT HEAD LIGHT	UNIT HEAD LIGHT	1	
	33130	33130-LCD3-E00	SOCKET COMP	SOCKET COMP	1	
	34901	34901-KFA6-900	BULB HEAD LIGHT	BULB HEAD LIGHT	2	
	34903	34903-KPCP-900	BULB POSITION	BULB POSITION	2	
	90305	90305-GHK8-001	NUT CLIP 6MM	NUT CLIP 6MM	3	
	93903	93903-35220	SCREW TAPPING 5*12	SCREW TAPPING 5*12	4	



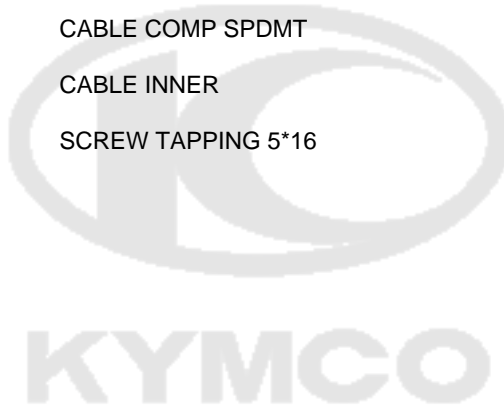
F02

Speedometer

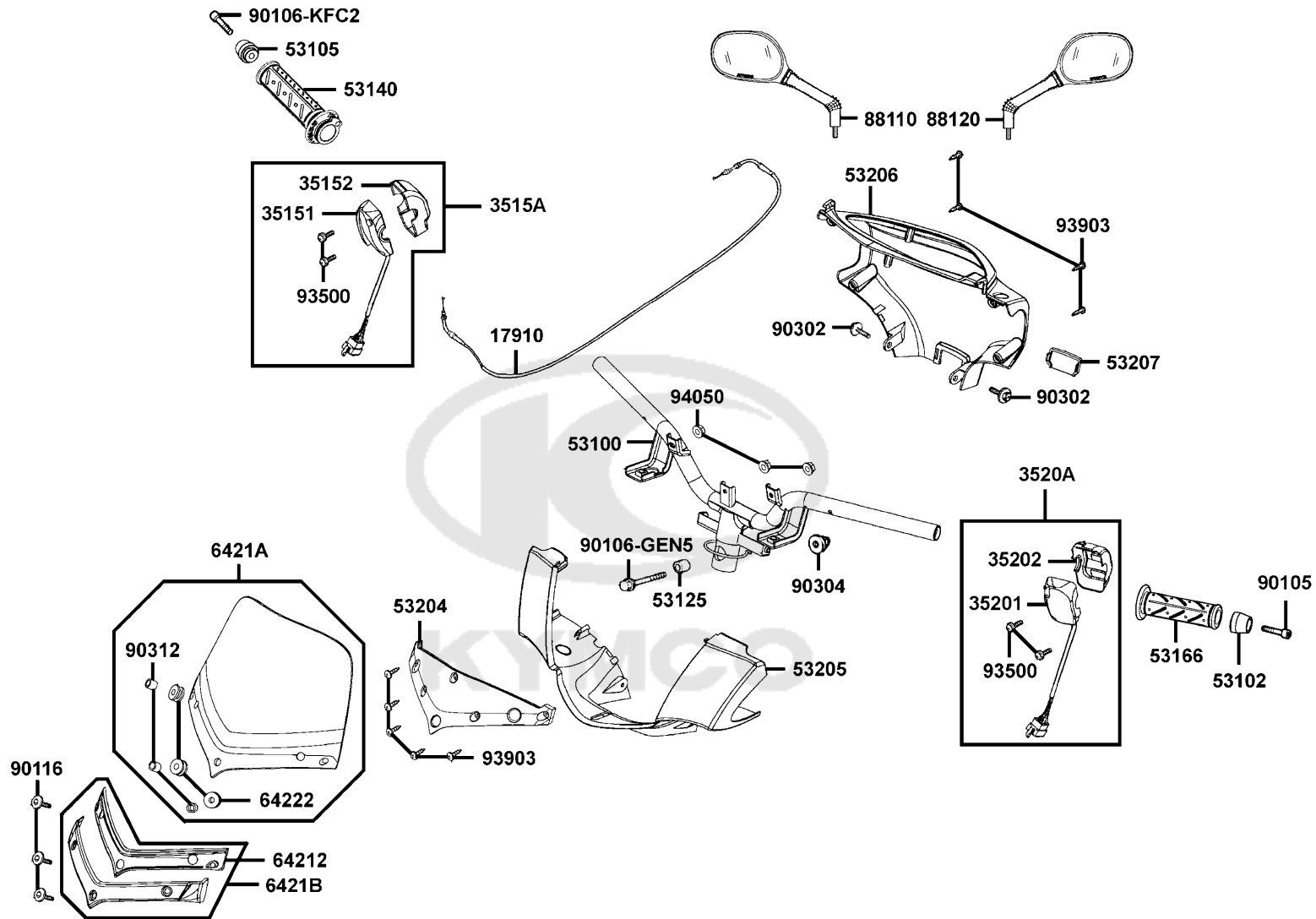




Sales mark	Ref no	Part no	Description	Reg description	Regd no	F02
	34908-KAM1	34908-KAM1-67A	BULB WEDGE BASE	BULB WEDGE BASE	1	
	34908-LAB4	34908-LAB4-900	BULB WEDGE BASE	BULB WEDGE BASE	2	
	34909	34909-KEBE-900	BULB WEDGE BASE	BULB WEDGE BASE	3	
	37200	37200-LEJ8-E01	METER ASSY SPEED	METER ASSY SPEED	1	
	37211	37211-LCD3-E01	LENS ASSY	LENS ASSY	1	
	37213	37213-LCD3-E00	PACKING (BOTTON)	PACKING (BOTTON)	2	
	37305	37305-KEE5-009	SCREW WASH 3*22	SCREW WASH 3*22	3	
	44830	44830-LCD3-E00	CABLE COMP SPDMT	CABLE COMP SPDMT	1	
	44831	44831-LCD3-E00	CABLE INNER	CABLE INNER	1	
	93903	93903-35320	SCREW TAPPING 5*16	SCREW TAPPING 5*16	3	

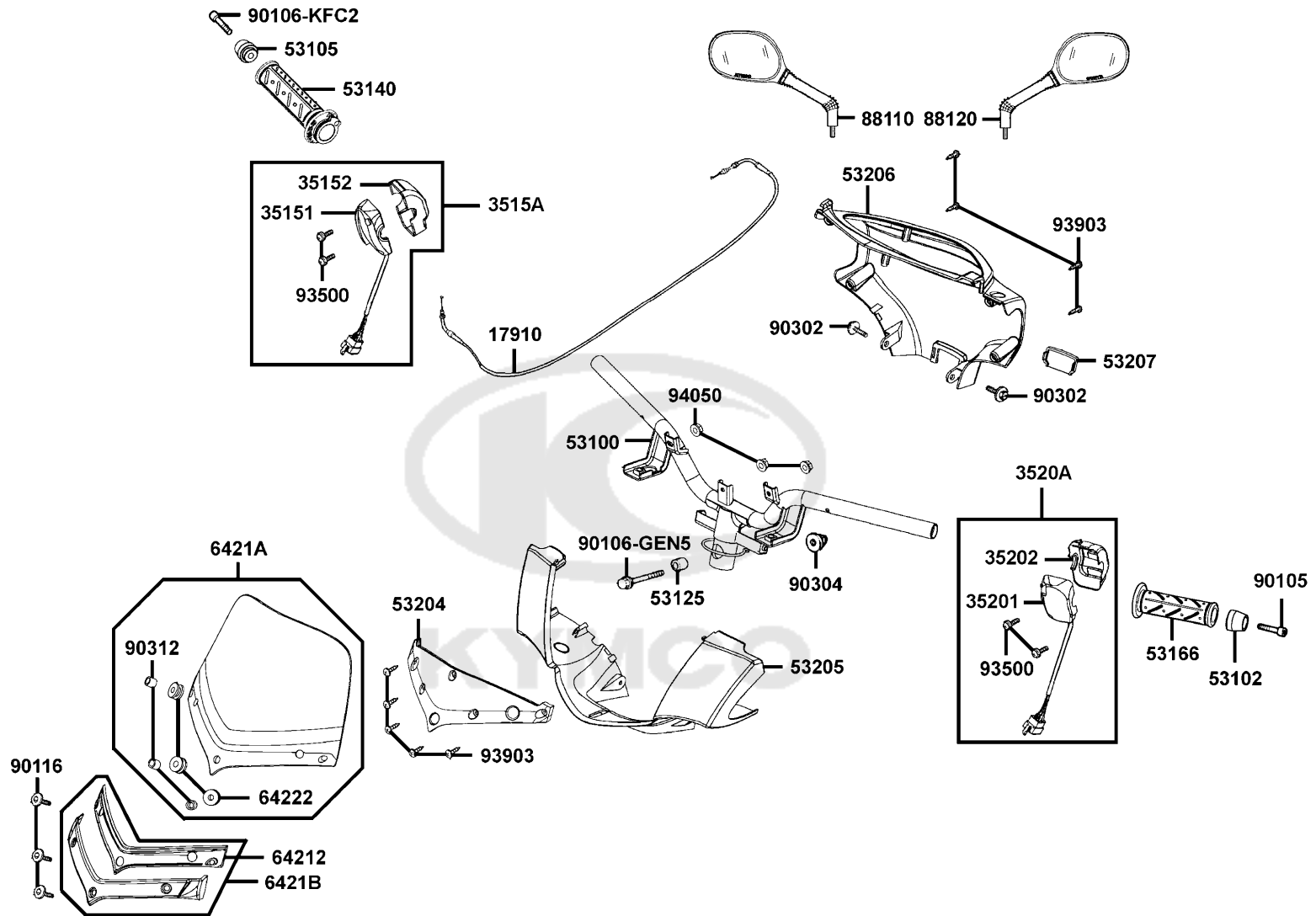


# Handle SteeringHandle Cover



Sales mark	Ref no	Part no	Description	Reg description	Regd no	F03
	17910	17910-LEJ8-E00	CABLE COMP THROT	CABLE COMP THROT	1	
	35151	35151-KGBG-910	FR CASE RH HANDLE COMP SW	FR CASE RH HANDLE COMP SW	1	
	35152	35152-KGBG-900	RR CASE RH HANDLE COMP SW	RR CASE RH HANDLE COMP SW	1	
	3515A	3515A-KGBG-E00	SW ASSY RH HANDLE COMP	SW ASSY RH HANDLE COMP	1	
	35201	35201-KGBG-910	FR CASE LH HANDLE COMP SW	FR CASE LH HANDLE COMP SW	1	
	35202	35202-KGBG-900	RR CASE LH HANDLE COMP SW	RR CASE LH HANDLE COMP SW	1	
	3520A	3520A-LCD3-E00	SW ASSY LH HNDL COMP	SW ASSY LH HNDL COMP	1	
	53100	53100-LCD3-E00	HANDLE COMP STRG	HANDLE COMP STRG	1	
**	53102	53102-KEC8-900	END HANDLE	END HANDLE	1	
**	53105	53105-LBB5-E00	END R STRGHANDLE	END R STRGHANDLE	1	
	53125	53125-GEN5-901	COLLAR HANDLE SET	COLLAR HANDLE SET	1	
**	53140	53140-KGB5-900	GRIP COMP THROT	GRIP COMP THROT	1	
**	53166	53166-KGB5-900	GRIP L HANDLE	GRIP L HANDLE	1	
	53204	53204-LCD3-E00	COVER HEAD LIGHT	COVER HEAD LIGHT	1	
**	53205	53205-LCD3-E00	COVER FR HANDLE	COVER FR HANDLE	1	
**	53206	53206-LCD3-E00	COVER RR HANDLE	COVER RR HANDLE	1	
**	53207	53207-LCD3-E00	PLUG COVER RR HANDLE	PLUG COVER RR HANDLE	1	
	64212	64212-LCD3-E00	RUBBER VISOR OUT	RUBBER VISOR OUT	1	
**	6421A	6421A-LEJ8-E01	VISOR METER	VISOR METER	1	
	6421B	6421B-LCD3-E01	COVER ASSY VISOR OUT	COVER ASSY VISOR OUT	1	

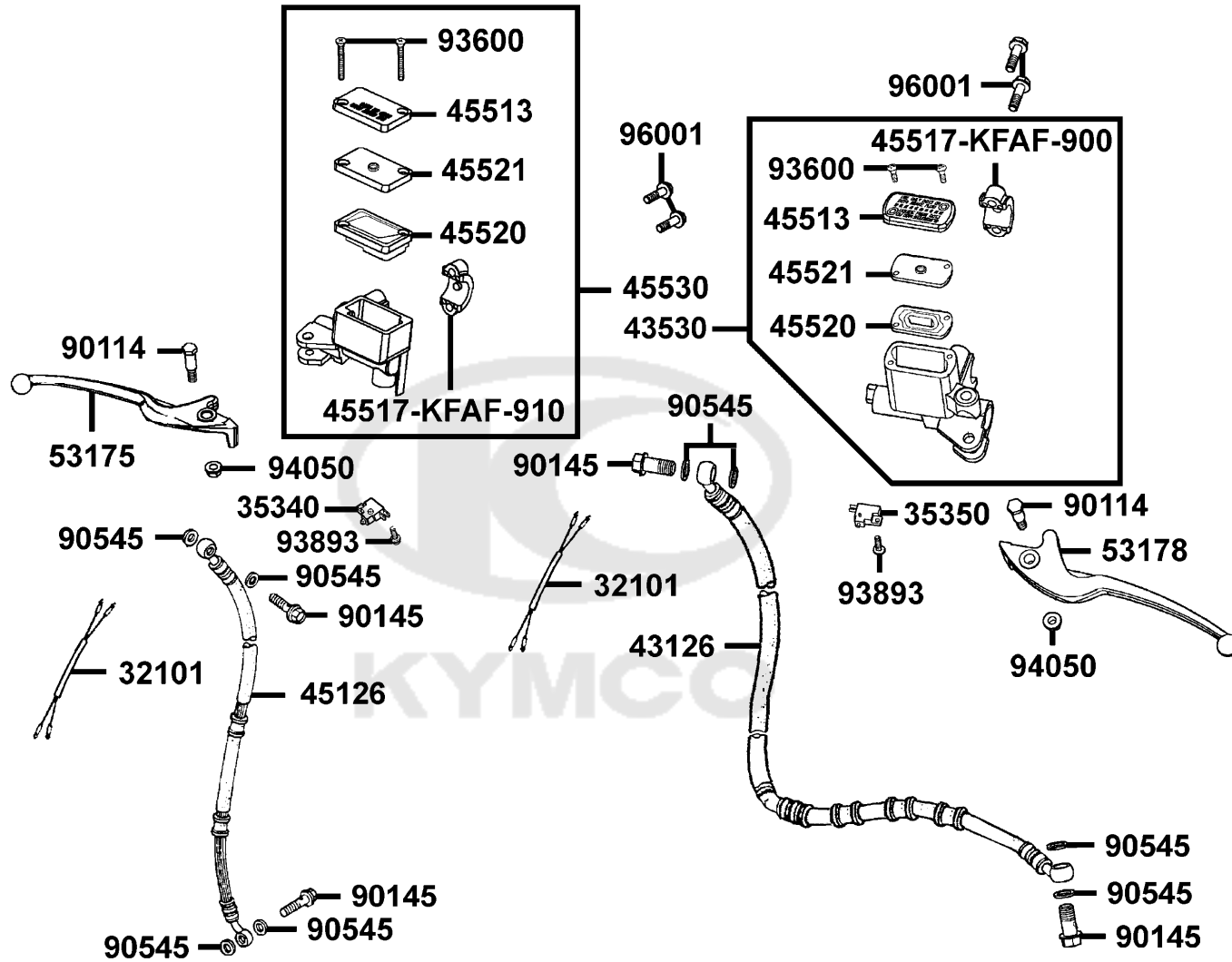
# Handle SteeringHandle Cover



Sales mark	Ref no	Part no	Description	Reg description	Regd no	F03
64222		64222-KKC4-900	RUBBER WIND SCREEN	RUBBER WIND SCREEN	3	
88110		88110-LBD5-E00	MIRROR ASSY R BACK	MIRROR ASSY R BACK	1	
88120		88120-LBD5-E00	MIRROR ASSY L BACK	MIRROR ASSY L BACK	1	
90105		90105-KHB4-900	BOLT WASH M8*60	BOLT WASH M8*60	1	
90106-GEN5		90106-GEN5-901	BOLT FLANGE 10*50	BOLT FLANGE 10*50	1	
90106-KFC2		90106-KFC2-900	BOLT WASH 8MM	BOLT WASH 8MM	1	
90116		90116-KED9-900	SCREW PAN 6*24	SCREW PAN 6*24	3	
90302		90302-GFY6-940	BOLT WASHER 5*16	BOLT WASHER 5*16	2	
90304		90304-GHE8-004-SY	NUT U FLANGE 10MM	NUT U FLANGE 10MM	1	
90312		90312-LCD3-E01	COLLAR VISOR	COLLAR VISOR	3	
93500		93500-KGBG-900	SCREW PAN 5*25	SCREW PAN 5*25	4	
93903		93903-34360	SCREW TAPPING 4*12	SCREW TAPPING 4*12	9	
94050		94050-06080	NUT FLANGE 6MM	NUT FLANGE 6MM	3	



Sales mark	Ref no	Part no	Description	Reg description	Regd no	<b>F04</b>
	32101	32101-GFY6-901	SUB CORD R/H	SUB CORD R/H	2	
	35340	35340-KNBN-901	SW ASSY FR STOP	SW ASSY FR STOP	1	
	35350	35350-KNBN-901	SW ASSY RR STOP	SW ASSY RR STOP	1	
	43126	43126-LEJ8-E00	HOSE ASSY RR BRK	HOSE ASSY RR BRK	1	
	43530	43530-KGB5-306	CYLINDER SET MASTER	CYLINDER SET MASTER	1	
	45126	45126-LCD3-E00	HOSE ASSY FR BRK	HOSE ASSY FR BRK	1	
	45513	45513-KCCC-900	CAP MASTER CYLINDER	CAP MASTER CYLINDER	2	
	45517-KFAF-900	45517-KFAF-900	HOLDER M/C	HOLDER M/C	1	
	45517-KFAF-910	45517-KFAF-910	HOLDER M/C	HOLDER M/C	1	
	45520	45520-KCCC-900	DIAPHRAGM	DIAPHRAGM	2	
	45521	45521-KCCC-900	PLATE DIAPHRAGM	PLATE DIAPHRAGM	1	
	45530	45530-KEB7-306	CYLINDER SET MASTER	CYLINDER SET MASTER	1	
**	53175	53175-KXBX-E10	LEVER R STRG HNDL	LEVER R STRG HNDL	1	
**	53178	53178-KKBK-E00	LEVER L STRG HANDLE	LEVER L STRG HANDLE	1	
	90114	90114-1F66-007	BOLT HANDLE LEVER	BOLT HANDLE LEVER	2	
	90145	90145-MKS9-61A	OIL BOLT 10*22	OIL BOLT 10*22	4	
	90545	90545-3L00-001	WASHER OIL BOLT	WASHER OIL BOLT	8	
	93600	93600-04012-1G	SCREW FLAT 4*12	SCREW FLAT 4*12	4	
	93893	93893-04012-18	SCREW WASHER 4*12	SCREW WASHER 4*12	2	
	94050	94050-06060	NUT FLANGE 6MM	NUT FLANGE 6MM	2	





Sales mark	Ref no	Part no	Description	Reg description	Regd no	<b>F04</b>
------------	--------	---------	-------------	-----------------	---------	------------

96001

96001-06022-06

BOLT FLANGE SH 6\*25

BOLT FLANGE SH 6\*25

4





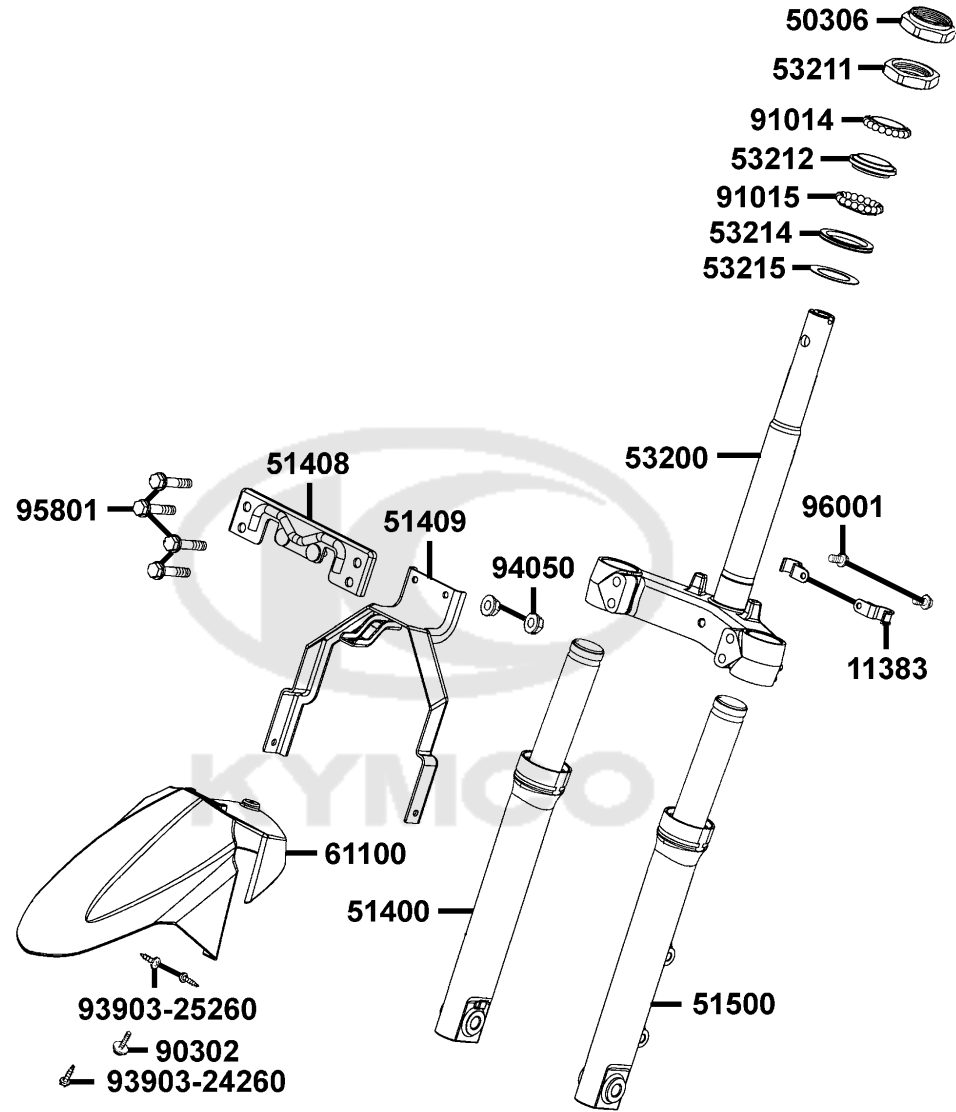
Sales mark	Ref no	Part no	Description	Reg description	Regd no	F05
**	64301	64301-LCD3-E00	COVER FRONT	COVER FRONT	1	
**	64303	64303-LCD3-E00	FR TOP	FR TOP	1	
	64304	64304-LCD3-E00	GRILL FR COVER	GRILL FR COVER	1	
**	64305	64305-LCD3-E00	SKIRT R SIDE	SKIRT R SIDE	1	
**	64306	64306-LCD3-E00	SKIRT L SIDE	SKIRT L SIDE	1	
	6430A	6430A-LCD3-E00	COVER ASSY FR GRILL	COVER ASSY FR GRILL	1	
**	64310	64310-LCD3-E00	FLOOR PANEL	FLOOR PANEL	1	
**	64313	64313-LCD3-E00	GRILL FR COVER INNER	GRILL FR COVER INNER	1	
	64316	64316-LCD3-E00	PLUG RR FLOOR	PLUG RR FLOOR	4	
	64317	64317-LCD3-E00	SEAL INNER BOX LID	SEAL INNER BOX LID	2	
	64330	64330-LCD3-E00	PLATE FR INNER	PLATE FR INNER	1	
**	64400	64400-LCD3-E00	COWL UNDER	COWL UNDER	1	
	77303	77303-KGC4-E00	HOOK SEAT LOCK	HOOK SEAT LOCK	1	
**	81131	81131-LCD3-E01	LEG SHIELD UP	LEG SHIELD UP	1	
**	81132	81132-LCD3-E00	LID INNER BOX	LID INNER BOX	1	
	81133	81133-KNBN-901	STOPPER LUGGAGE	STOPPER LUGGAGE	1	
	81134-KFA6	81134-KFA6-900	HOOK LUGGAGE	HOOK LUGGAGE	1	
	81134-LEJ8	81134-LEJ8-E00	PLATE INNER BOX	PLATE INNER BOX	1	
	81135	81135-KGBG-900	STAY LUGGAGE HOOK	STAY LUGGAGE HOOK	1	
**	81141	81141-LCD3-E00	LEG SHIELD LOW	LEG SHIELD LOW	1	



Sales mark	Ref no	Part no	Description	Reg description	Regd no	F05
	81142-KFA6	81142-KFA6-900	STAY LID INNER BOX	STAY LID INNER BOX	2	
**	81142-KUDU	81142-KUDU-900	LID LEG SHIELD(VIN)	LID LEG SHIELD(VIN)	1	
	81143	81143-LCD3-E00	LID CATCH INNER BOX	LID CATCH INNER BOX	1	
	81144	81144-LCD3-E00	SPRING HOOK BAR	SPRING HOOK BAR	1	
	81145	81145-LCD3-E00	SPRING INNER BOX LID	SPRING INNER BOX LID	2	
	81146	81146-LCD3-E00	SEAL LID INNER BOX	SEAL LID INNER BOX	1	
	81147	81147-LCD3-E00	SPONGE INNER BOX LID	SPONGE INNER BOX LID	2	
	81148	81148-LCD3-E00	HOLDER LID CATCH	HOLDER LID CATCH	1	
	81149	81149-LCD3-E00	PLUG INNER BOX	PLUG INNER BOX	1	
**	86102	86102-LCD3-E00	EMB K-LOGO 38MM	EMB K-LOGO 38MM	1	
	90110	90110-GLW0-001	SCREW SPECIAL 6*14	SCREW SPECIAL 6*14	2	
	90301	90301-6D34-671	NUT FLANGE 6MM	NUT FLANGE 6MM	1	
	90302	90302-SDA4-004	NUT SPRING 4MM	NUT SPRING 4MM	8	
	93404-06012-06	93404-06012-06	BOLT WASHER 6*12	BOLT WASHER 6*12	1	
	93404-06012-08	93404-06012-08	BOLT WASHER 6*12	BOLT WASHER 6*12	1	
	93404-06020	93404-06020-06	BOLT WASHER 6*20	BOLT WASHER 6*20	4	
	93903-25260	93903-25260	SCREW TAPPING 5*12	SCREW TAPPING 5*12	2	
	93903-34360	93903-34360	SCREW TAPPING 4*12	SCREW TAPPING 4*12	33	
	93903-GFY6	93903-GFY6-900	SCREW TAPP 4*14	SCREW TAPP 4*14	8	
	93903-KEB7	93903-KEB7-900-06	SCREW WASHER 4MM	SCREW WASHER 4MM	4	

F06

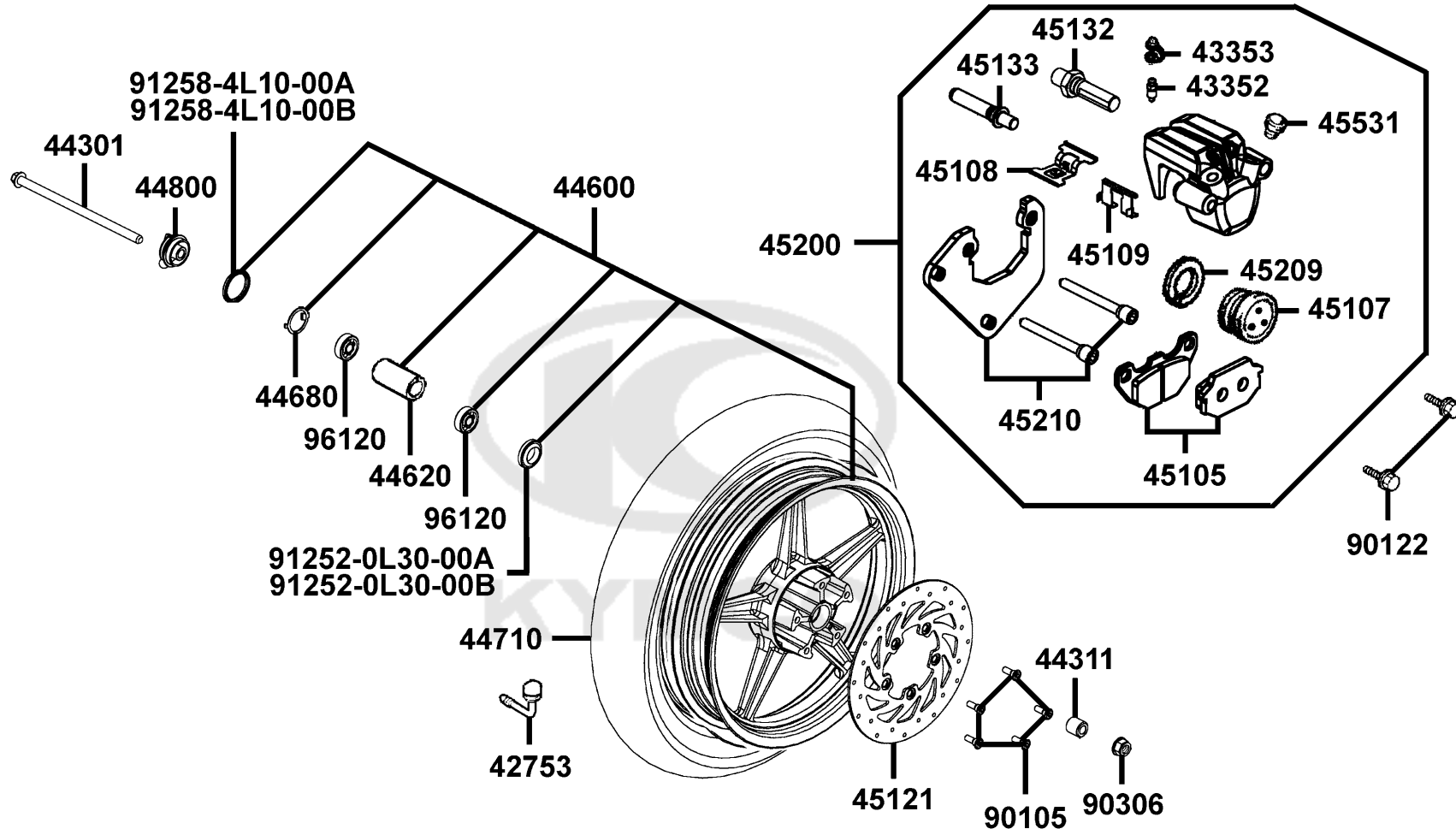
Front Cushion



Sales mark	Ref no	Part no	Description	Reg description	Regd no	F06
	11383	11383-KHE7-900	CLAMPER RR BRK HOSE	CLAMPER RR BRK HOSE	2	
	50306	50306-1F96-001	NUT STRG STEM LOCK	NUT STRG STEM LOCK	1	
**	51400	51400-LCD3-E00	FORK ASSY RH FR	FORK ASSY RH FR	1	
	51408	51408-LCD3-E00	BRK FR FENDER STAY	BRK FR FENDER STAY	1	
	51409	51409-LCD3-E00	STAY FR FENDER	STAY FR FENDER	1	
**	51500	51500-LCD3-E00	FORK ASSY LH FR	FORK ASSY LH FR	1	
	53200	53200-LCD3-E00	STEM COMP STRG	STEM COMP STRG	1	
	53211	53211-GFY6-940	RACE STRG TOP CONE	RACE STRG TOP CONE	1	
	53212	53212-2L50-011	RACE (STRG BOTTOM) CONE	RACE (STRG BOTTOM) CONE	1	
	53214	53214-2L50-001	DUST SEAL STRG	DUST SEAL STRG	1	
	53215	53215-2L50-001	WASHER STRG HEAD DUST	WASHER STRG HEAD DUST	1	
**	61100	61100-LCD3-E00	FENDER FR	FENDER FR	1	
	90302	90302-GFY6-901	BOLT WASH 5*12	BOLT WASH 5*12	1	
	91014	91014-LLJ3-E00	CAGE STEERING TOP #5	CAGE STEERING TOP #5	1	
	91015	91015-LLJ3-E00	CAGE STEERING BOT #8	CAGE STEERING BOT #8	1	
	93903-24260	93903-24260	SCREW TAPPING 4*10	SCREW TAPPING 4*10	1	
	93903-25260	93903-25260	SCREW TAPPING 5*12	SCREW TAPPING 5*12	2	
	94050	94050-06060	NUT FLANGE 6MM	NUT FLANGE 6MM	2	
	95801	95801-08040-06	BOLT FLANGE 8x40 (G)	BOLT FLANGE 8x40 (G)	4	
	96001	96001-06012-08	BOLT FLANGE SH 6*12	BOLT FLANGE SH 6*12	2	

F07

Front Wheel

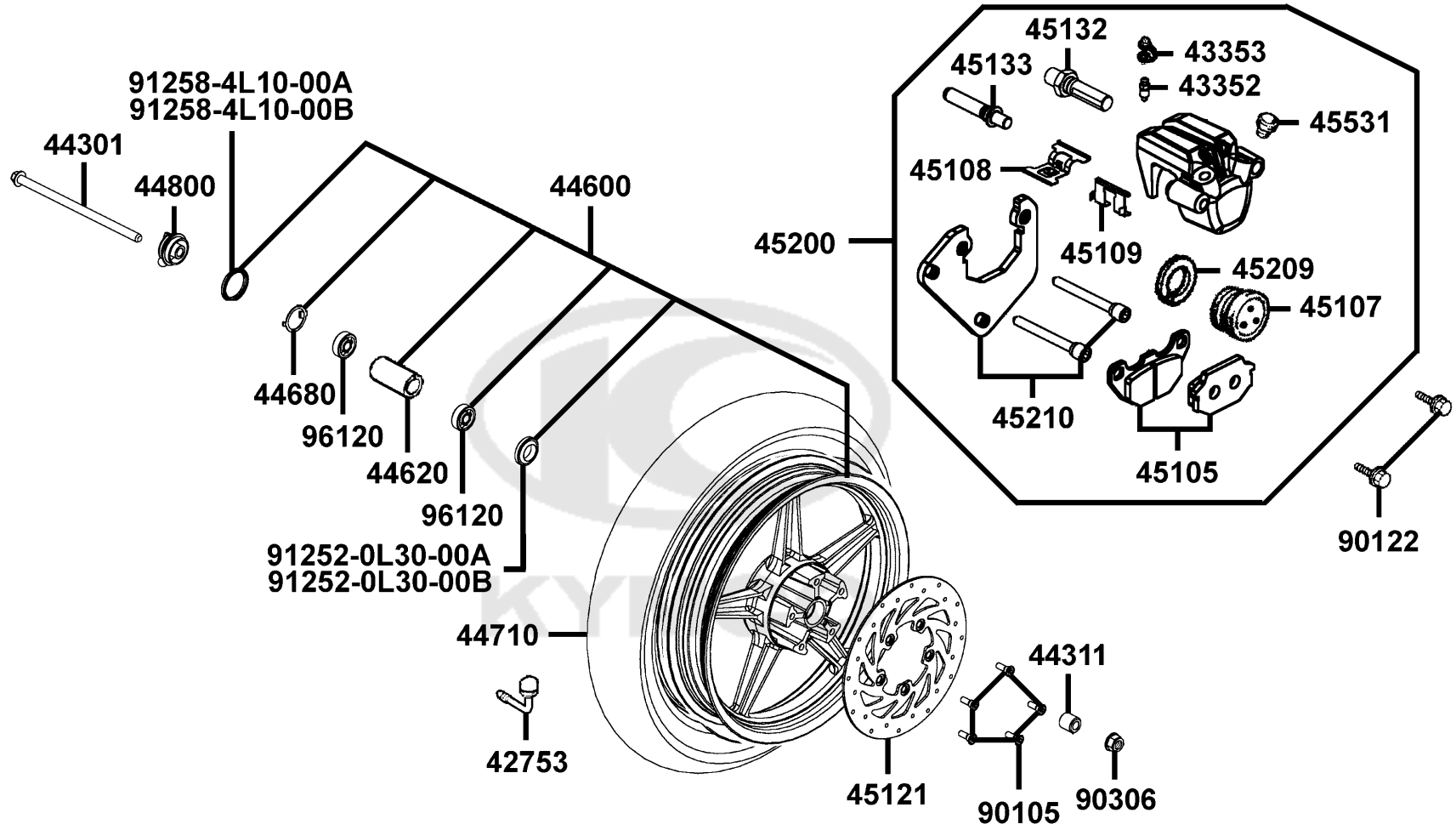




Sales mark	Ref no	Part no	Description	Reg description	Regd no	F07
	42753	42753-KNBN-90B	VALVE RIM (TR412)	VALVE RIM (TR412)	1	
	43352	43352-5H68-004	SCREW BLEEDER	SCREW BLEEDER	1	
	43353	43353-4A61-77A	CAP BLEEDER	CAP BLEEDER	1	
	44301	44301-KXCX-900	AXLE FR WHEEL	AXLE FR WHEEL	1	
	44311	44311-KHB4-900	COLLAR FR WHEEL SIDE	COLLAR FR WHEEL SIDE	1	
**	44600	44600-LCD3-305	WHEEL SET FR	WHEEL SET FR	1	
	44620	44620-KFLF-930	COLLAR FR DIST	COLLAR FR DIST	1	
	44680	44680-4L10-001	RETAINER GEAR BOX	RETAINER GEAR BOX	1	
	44710	44710-LCD3-E0A	TIRE ASSY FR /KENDA	TIRE ASSY FR /KENDA	1	
	44800	44800-KFA6-900	GEAR BOX ASSY SPDMT	GEAR BOX ASSY SPDMT	1	
	45105	45105-KFA6-305	PAD COMP	PAD COMP	1	
	45107	45107-KFA6-900	PISTON	PISTON	1	
	45108	45108-KFA6-900	SPRING PAD	SPRING PAD	1	
	45109	45109-KFA6-900	DUST SEAL	DUST SEAL	1	
	45121	45121-LCD3-E00	DISK FR BRAKE	DISK FR BRAKE	1	
	45132	45132-KFA6-900	BUSH BOOTPIN	BUSH BOOTPIN	1	
	45133	45133-KFA6-900	BOTT B	BOTT B	1	
**	45200	45200-LCD3-E00	CALIPER ASSY FR LH	CALIPER ASSY FR LH	1	
	45209	45209-KFA6-900	SEAL PISTON	SEAL PISTON	1	
	45210	45210-LCD3-305	BRACKET L	BRACKET L	1	

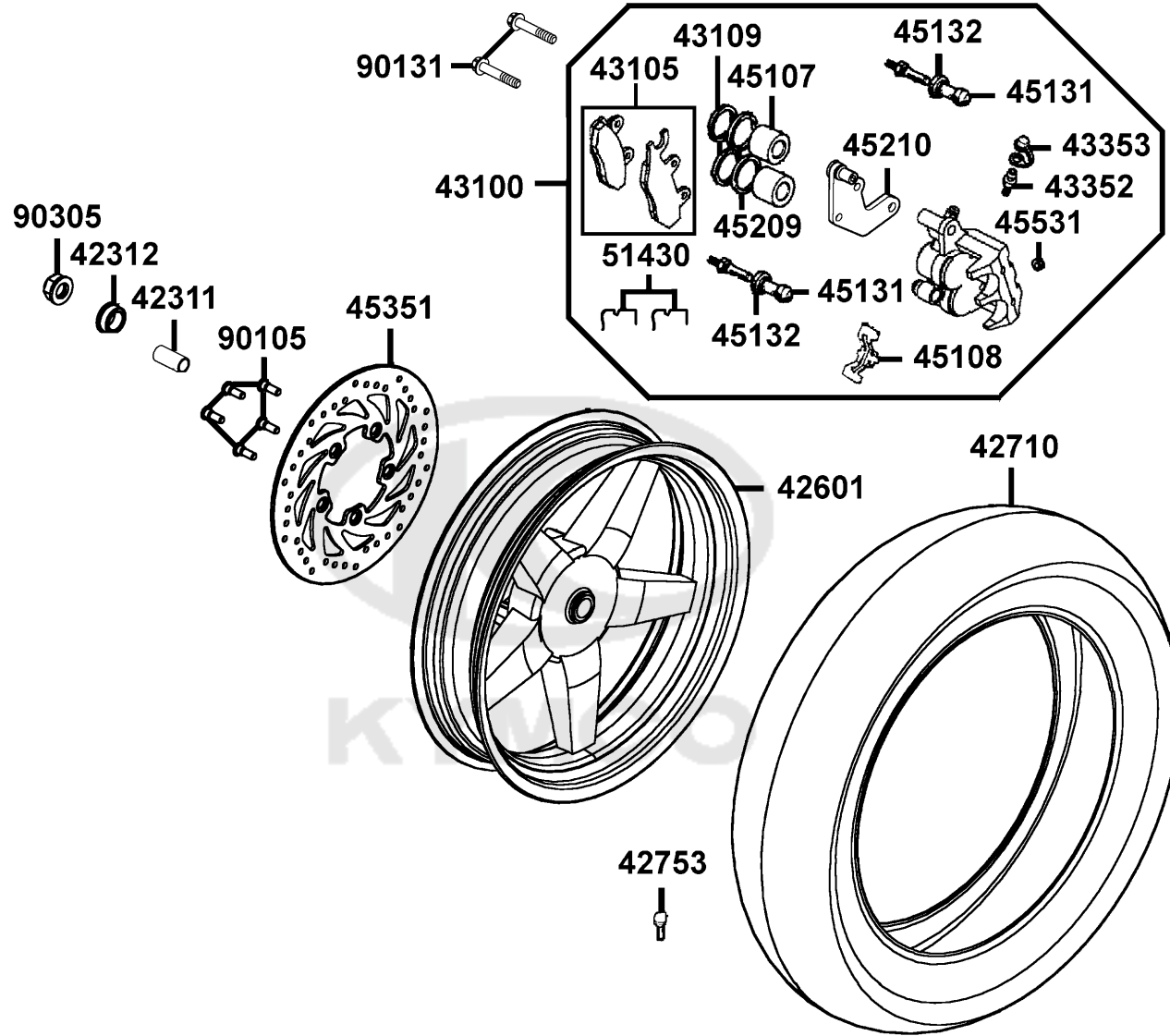
F07

Front Wheel

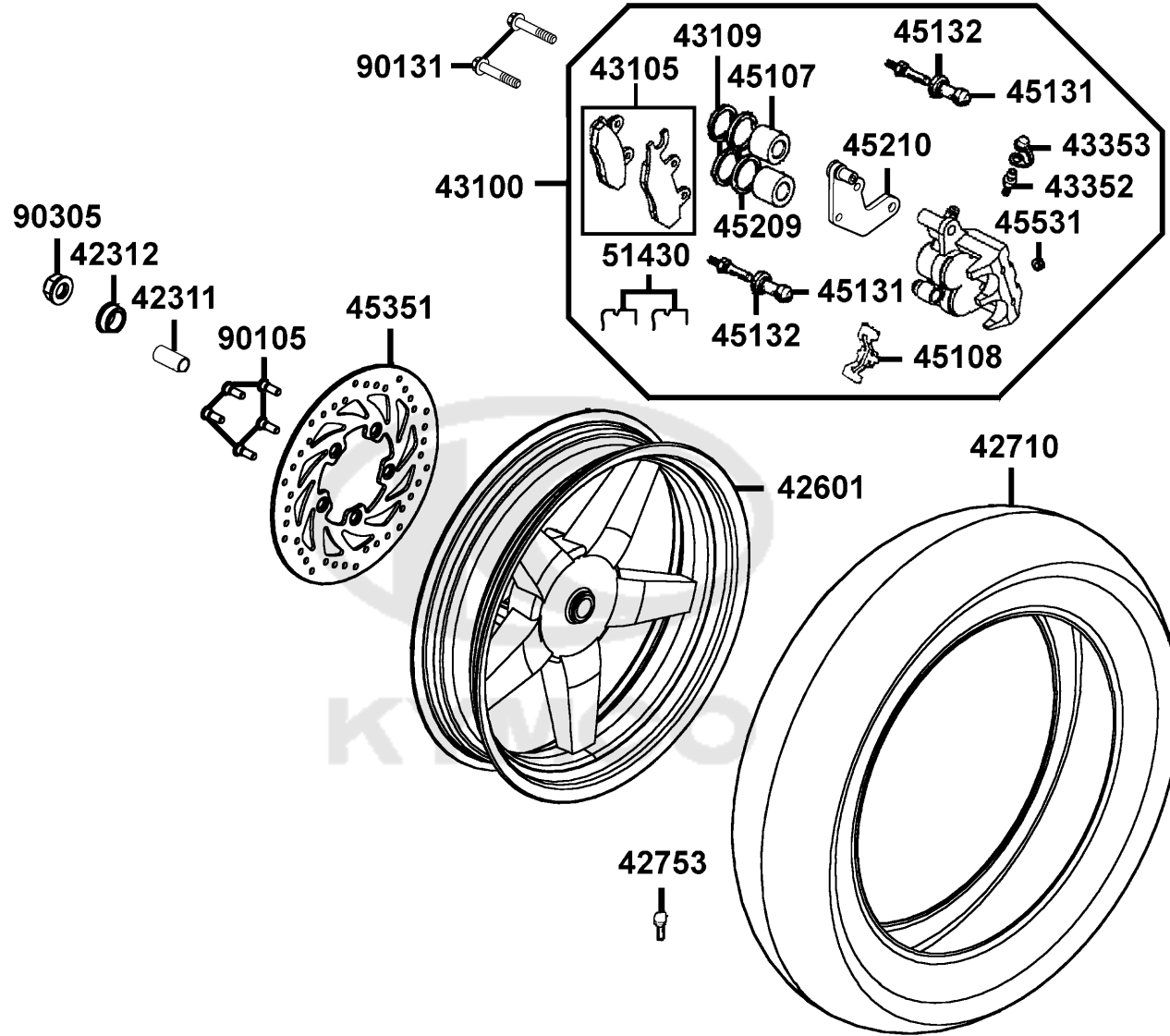


Sales mark	Ref no	Part no	Description	Reg description	Regd no	F07
90105		90105-KCR3-001	BOLT FR DISK 8*24	BOLT FR DISK 8*24	5	
90122		90122-KEBE-900	BOLT FLANGE 8X32	BOLT FLANGE 8X32	2	
90306		90306-GLW0-90A	NUT FLANGE 12MM	NUT FLANGE 12MM	1	
91252-0L30-00A		91252-0L30-00A	OIL SEAL 23*37*7	OIL SEAL 23*37*7	1	
91252-0L30-00B		91252-0L30-00B	OIL SEAL WHEEL 23*37*7	OIL SEAL WHEEL 23*37*7	1	
91258-4L10-00A		91258-4L10-00A	SEAL DUST 40*50*5	SEAL DUST 40*50*5	1	
91258-4L10-00B		91258-4L10-00B	DUST SEAL 40*50*5	DUST SEAL 40*50*5	1	
96120		96120-63010-10	BEARING BALL RADIAL 6301	BEARING BALL RADIAL 6301	2	





Sales mark	Ref no	Part no	Description	Reg description	Regd no	F08
	42311	42311-KHB4-900	COLLAR RR AXLE A	COLLAR RR AXLE A	1	
	42312	42312-KHB4-900	COLLAR RR AXLE SIDE	COLLAR RR AXLE SIDE	1	
**	42601	42601-LEJ8-E00	WHEEL COMP RR CAST	WHEEL COMP RR CAST	1	
	42710	42710-LCD3-E0A	TIRE ASSY RR /KENDA	TIRE ASSY RR /KENDA	1	
	42753	42753-KNBN-90B	VALVE RIM (TR412)	VALVE RIM (TR412)	1	
**	43100	43100-LEJ8-E00	CALIPER ASSY RR	CALIPER ASSY RR	1	
	43105	43105-LDH1-305	PAD SET	PAD SET	1	
	43109	43109-GBN2-007	DUST SEAL	DUST SEAL	2	
	43352	43352-KKD6-E90	SCREW BLEEDER	SCREW BLEEDER	1	
	43353	43353-4A61-77A	CAP BLEEDER	CAP BLEEDER	1	
	45107	45107-MEN5-007	PISTON	PISTON	2	
	45108	45108-LDH1-E00	SPRING PAD	SPRING PAD	1	
	45131	45131-LDH1-E00	PIN BOLT	PIN BOLT	2	
	45132	45132-LDH1-E00	BUSH BOOT PIN	BUSH BOOT PIN	2	
	45209	45209-GBE2-007	SEAL PISTON	SEAL PISTON	2	
	45210	45210-LDF2-E00	BRACKET FR CALIPER	BRACKET FR CALIPER	1	
	45351	45351-LLJ3-E00	DISK FR BRAKE	DISK FR BRAKE	1	
	45531	45531-GAR1-951	PLUG	PLUG	1	
	51430	51430-LDH1-E00	SLIDE PAD	SLIDE PAD	2	
	90105	90105-KCR3-001	BOLT FR DISK 8*24	BOLT FR DISK 8*24	5	



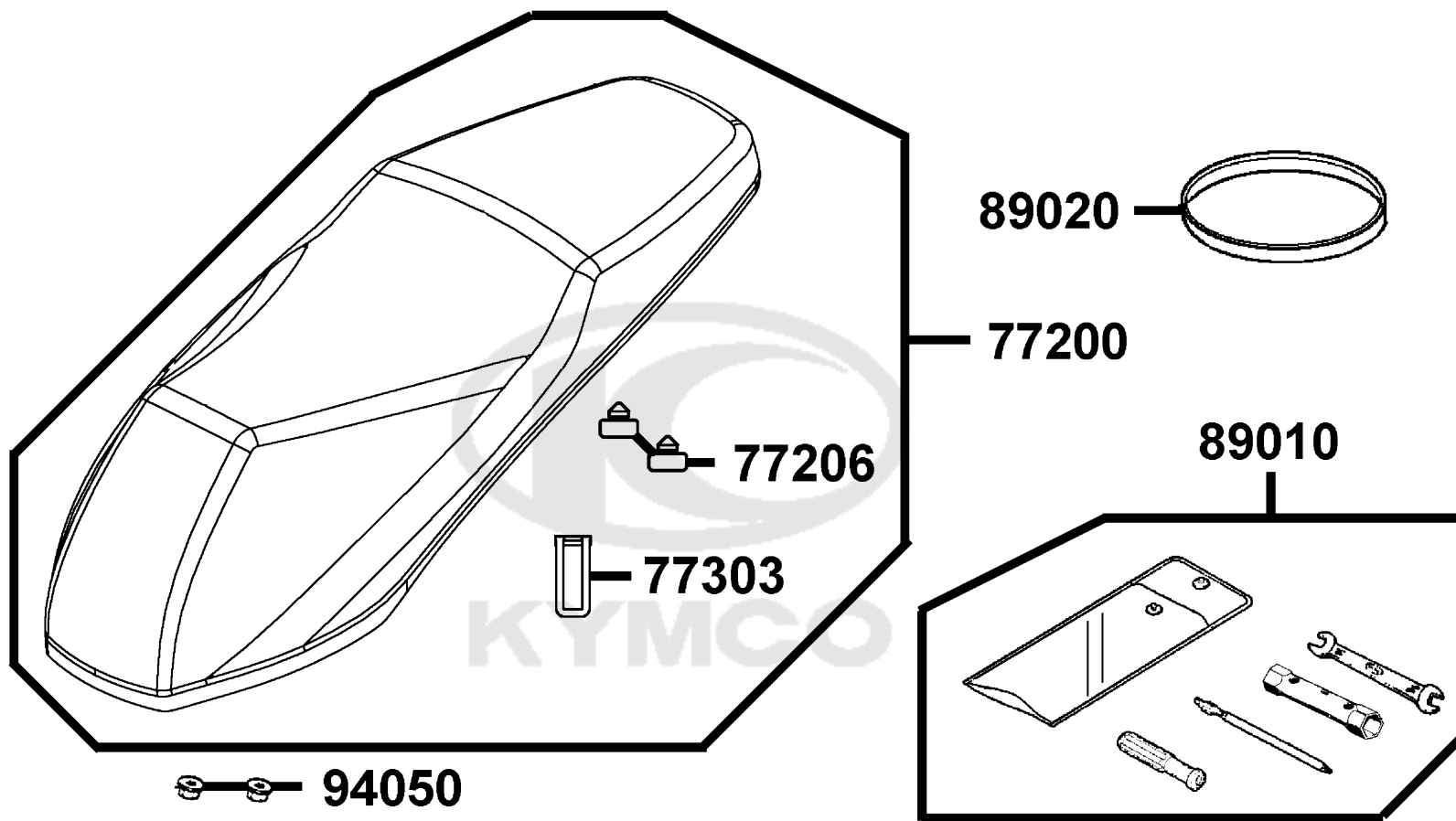
Sales mark	Ref no	Part no	Description	Reg description	Regd no	<b>F08</b>
------------	--------	---------	-------------	-----------------	---------	------------

90131		90131-LDB2-E00	BOLT FLANGE 8*42	BOLT FLANGE 8*42	2	
90305		90305-KFW6-900	NUT U FLANGE 16MM (B)	NUT U FLANGE 16MM (B)	1	



F09

Seat



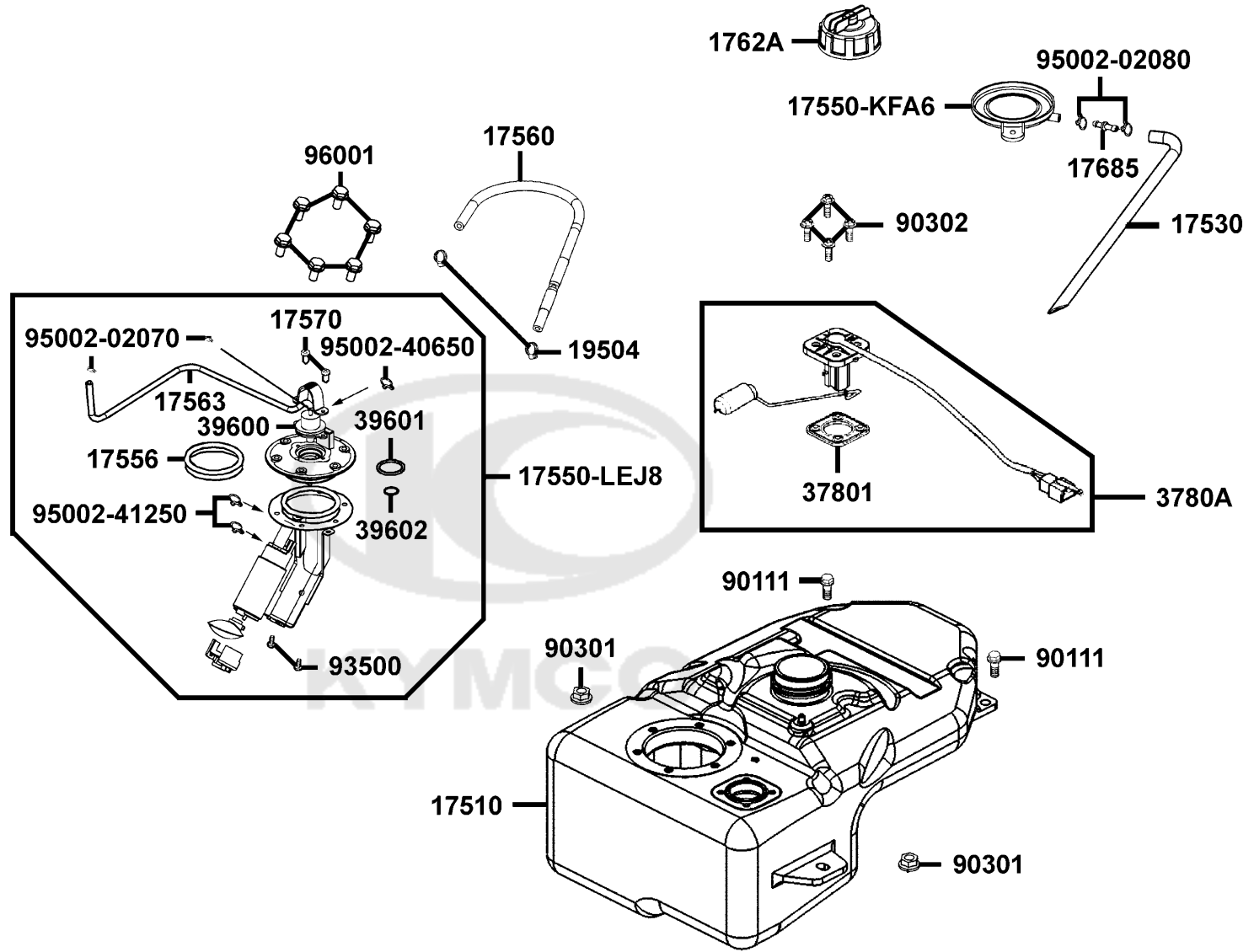


Sales mark	Ref no	Part no	Description	Reg description	Regd no	<b>F09</b>
**	77200	77200-LCD3-E00	SEAT ASSY	SEAT ASSY	1	
	77206	77206-KGBG-900	RUBBER SEAT CUSHION	RUBBER SEAT CUSHION	2	
	77303	77303-LCD3-E00	HOOK SEAT LOCK	HOOK SEAT LOCK	2	
	89010	89010-KGBG-900	TOOL SET	TOOL SET	1	
	89020	89020-KKC4-900	BAND TOOL SET	BAND TOOL SET	1	
	94050	94050-06080	NUT FLANGE 6MM	NUT FLANGE 6MM	2	





Sales mark	Ref no	Part no	Description	Reg description	Regd no	<b>F10</b>
17510		17500-LEJ8-MY0	TANK COMP FUEL	TANK COMP FUEL	1	
17510		17510-LEJ8-E00	TANK COMP FUEL	TANK COMP FUEL	1	
17530		17530-LCD3-E00	TUBE ASSY FUEL DRAIN	TUBE ASSY FUEL DRAIN	1	
17550-KFA6		17550-KFA6-900	TRAY FUEL CAP	TRAY FUEL CAP	1	
17550-LEJ8		17550-LEJ8-E00	FUEL PUMP ASSY	FUEL PUMP ASSY	1	
17556		17556-KKE3-900	O RING	O RING	1	
17560		17560-LEJ8-E00	TUBE PUMP INJECTOR	TUBE PUMP INJECTOR	1	
17563		17563-LEJ8-E00	TUBE FUEL RETURN	TUBE FUEL RETURN	1	
17570		17570-KKE3-900	SCREW BOLT M4*13	SCREW BOLT M4*13	2	
1762A		1762A-KFA6-900	CAP ASSY FUEL FILLER	CAP ASSY FUEL FILLER	1	
17685		17685-KZCZ-900	JOINT TUBE	JOINT TUBE	1	
19504		19504-LBA2-E00	CLAMP D16.8	CLAMP D16.8	2	
37801		37801-LAB4-910	PACKING BASE	PACKING BASE	1	
3780A		3780A-LEJ8-E00	FUEL UNIT ASSY	FUEL UNIT ASSY	1	
39600		39600-KKE3-800	REGULATOR	REGULATOR	1	
39601		39601-KKE3-900	O RING A	O RING A	1	
39602		39602-KKE3-900	O RING B	O RING B	1	
90111		90111-1G47-001	BOLT FLANGE 6*17	BOLT FLANGE 6*17	2	
90301		90301-6D34-671	NUT FLANGE 6MM	NUT FLANGE 6MM	2	
90302		90302-GFY6-901	BOLT WASH 5*12	BOLT WASH 5*12	4	



Sales mark	Ref no	Part no	Description	Reg description	Regd no	<b>F10</b>
93500		93500-05010-0H	SCREW PAN 5*10	SCREW PAN 5*10	2	
95002-02070		95002-02070	CLIP B7 PORT TUBE	CLIP B7 PORT TUBE	1	
95002-02080		95002-02080	CLIP B8 CHAMBER TUBE	CLIP B8 CHAMBER TUBE	2	
95002-40650		95002-40650-08	CLAMP D 6.5 TUBE	CLAMP D 6.5 TUBE	1	
95002-41250		95002-41250-08	CLAMP D 12.5 TUBE	CLAMP D 12.5 TUBE	2	
96001		96001-06014-08	BOLT FLANGE 6*14	BOLT FLANGE 6*14	6	



F11

Battery

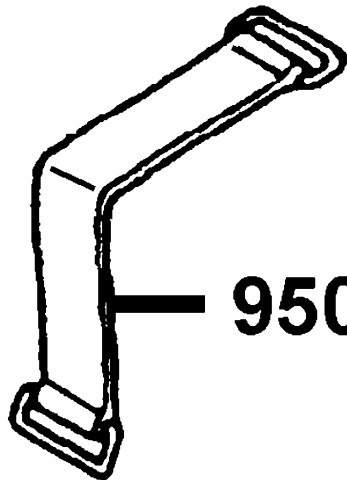
98200-11000



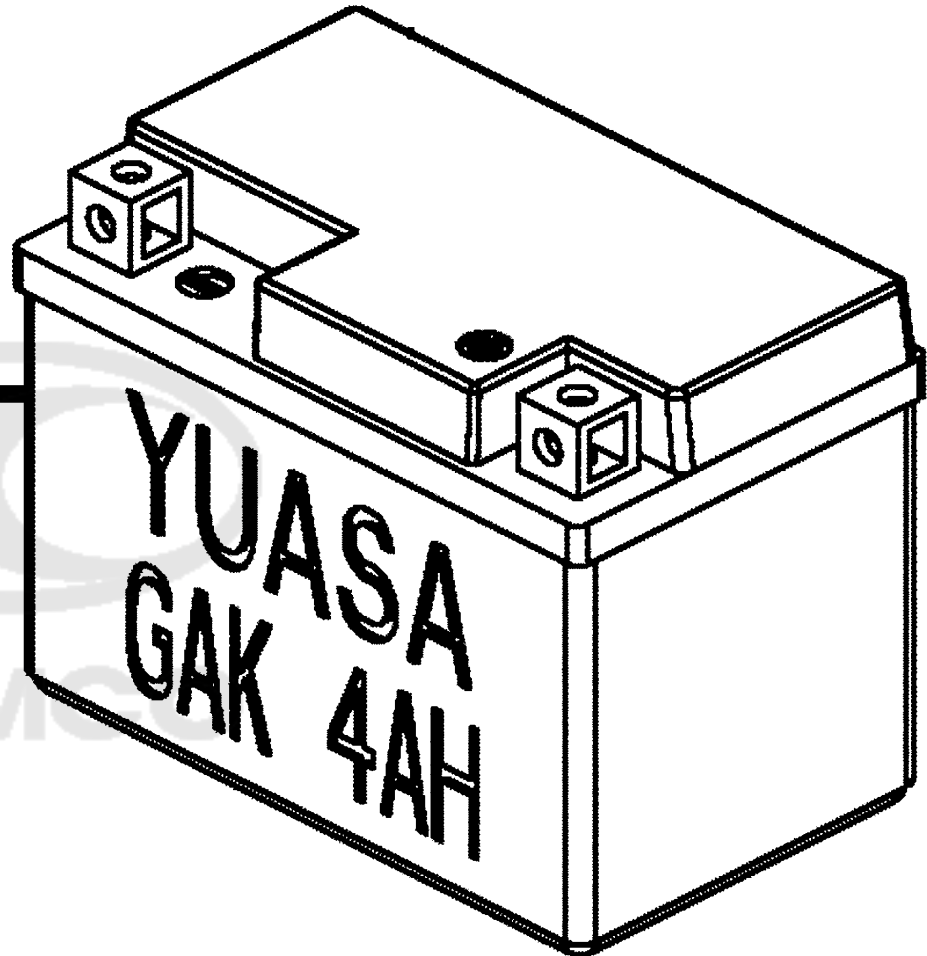
98200-11500



31500-LEJ8-E00  
31500-LEJ8-E0B



95012



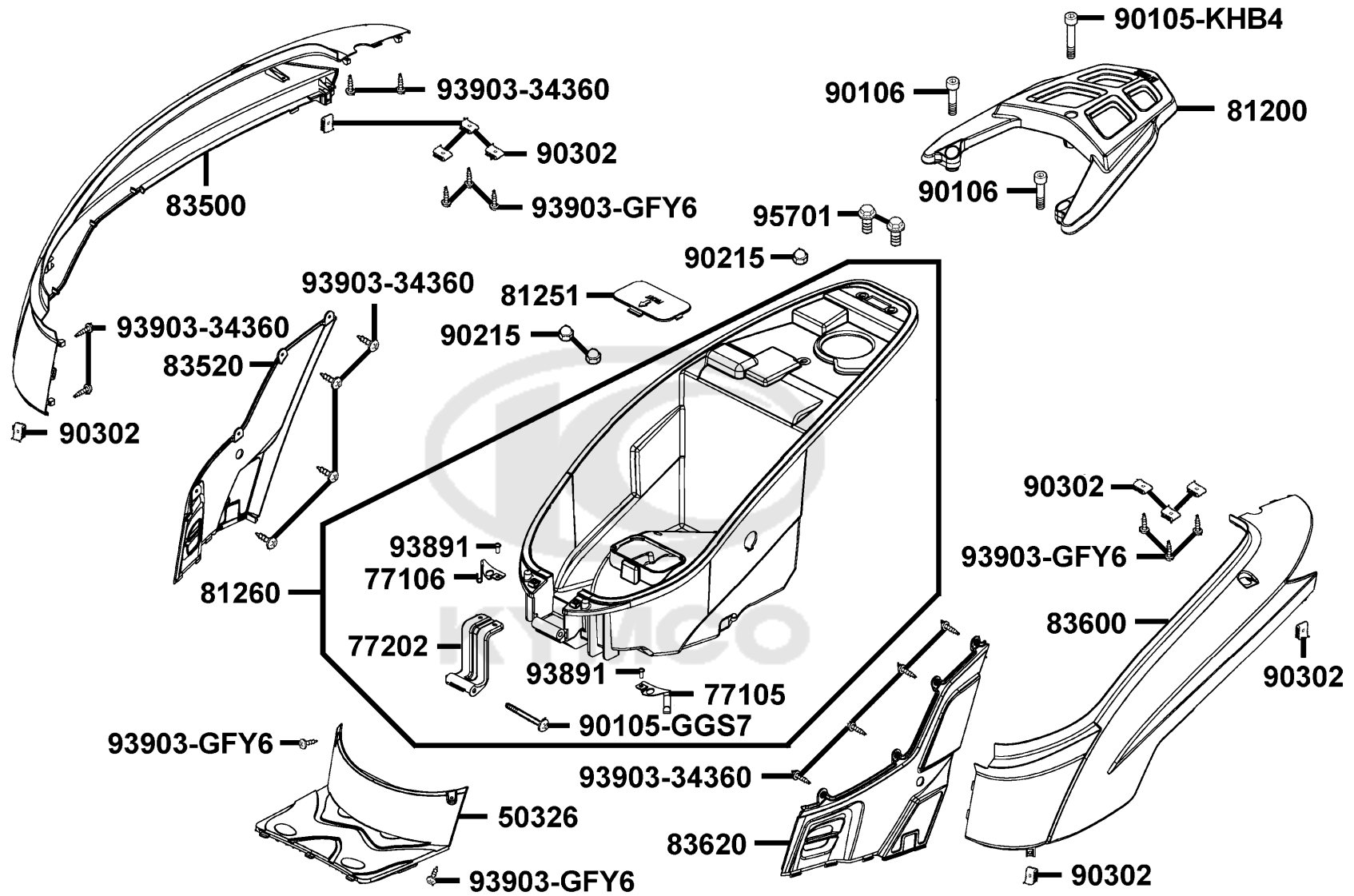
Sales mark	Ref no	Part no	Description	Reg description	Regd no	<b>F11</b>
------------	--------	---------	-------------	-----------------	---------	------------

	31500-LEJ8-E00	31500-LEJ8-E00	BATTERY (TTZ10S)	BATTERY (TTZ10S)	1	
	31500-LEJ8-E0B	31500-LEJ8-E0B	BATTERY GTZ10S	BATTERY GTZ10S	1	
	95012	95012-KED9-900	BAND BATTERY	BAND BATTERY	1	
	98200-11000	98200-11000	FUSE 10A	FUSE 10A	1	
	98200-11500	98200-11500	FUSE A15	FUSE A15	1	



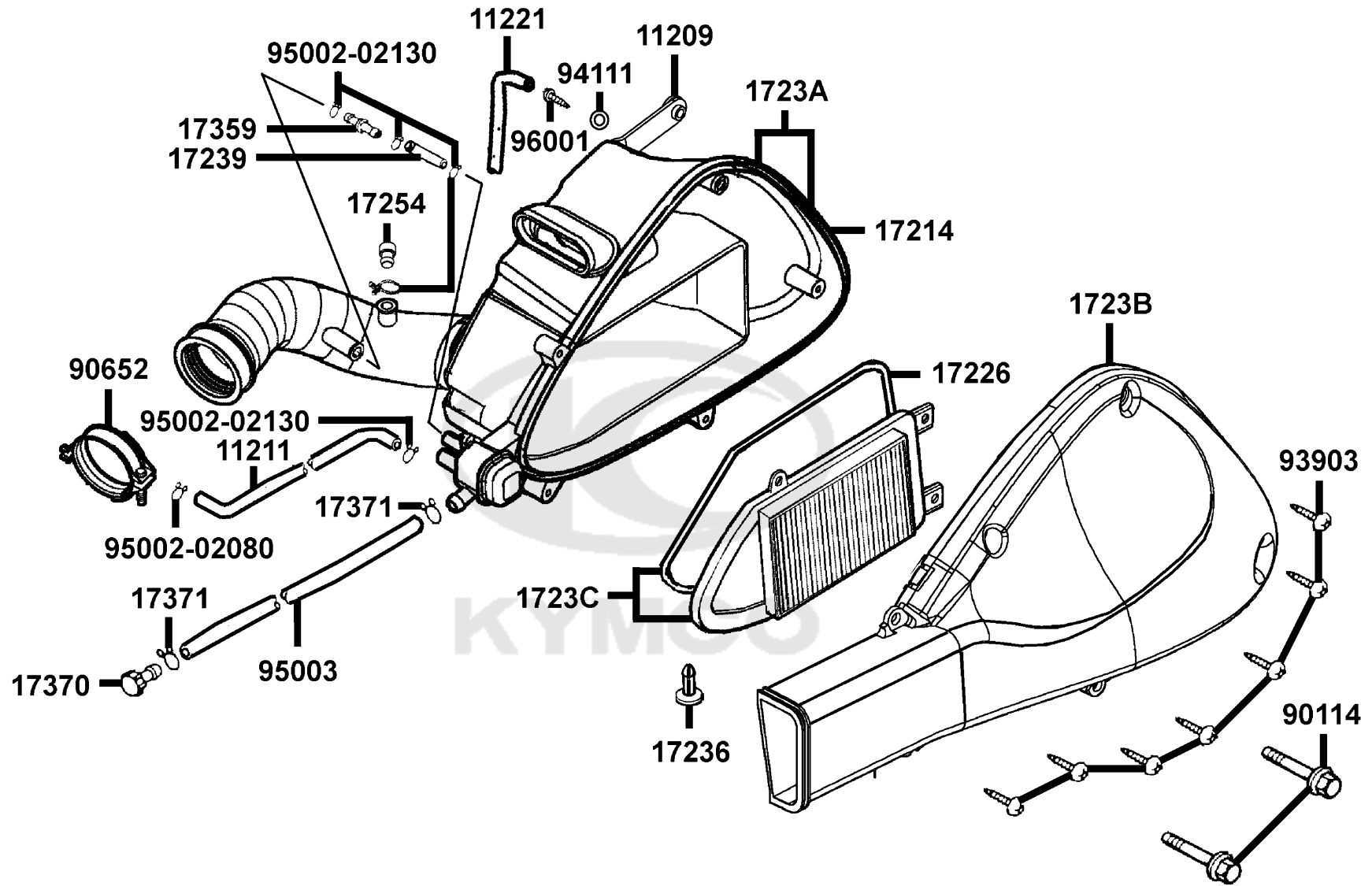
F12

Body Cover Luggage Box

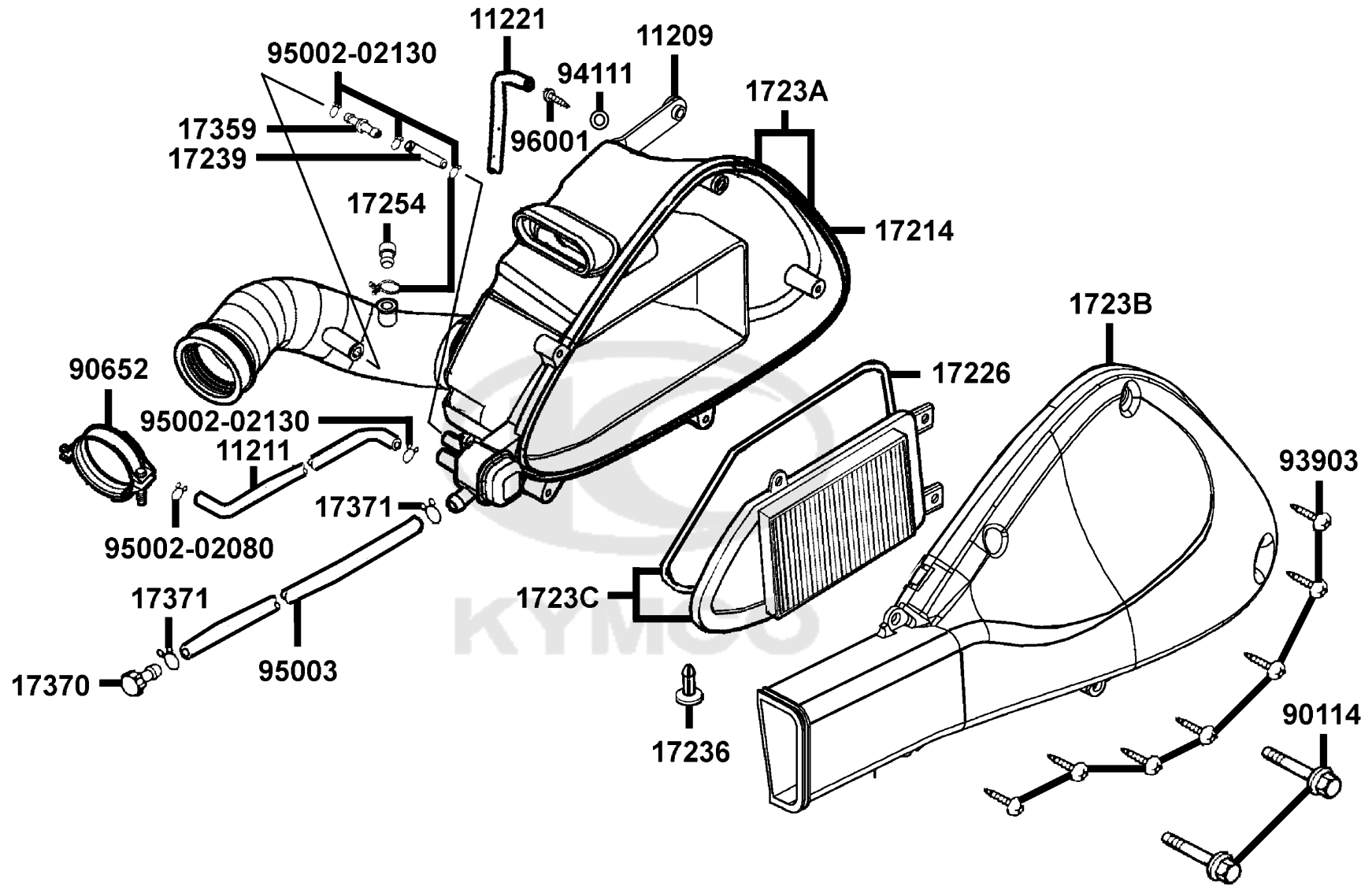




Sales mark	Ref no	Part no	Description	Reg description	Regd no	F12
	50326	50326-LCD3-E00	COVER BATTERY	COVER BATTERY	1	
	77105	77105-LCD3-E00	HOOK R HELMET	HOOK R HELMET	1	
	77106	77106-LCD3-E00	HOOK L HELMET	HOOK L HELMET	1	
	77202	77202-KHB4-900	HINGE SEAT	HINGE SEAT	1	
**	81200	81200-LCD3-E00	CARRIER RR	CARRIER RR	1	
	81251	81251-LAB4-900	LID CARB MAINT	LID CARB MAINT	1	
	81260	81260-LEJ8-E00	BOX ASSY LUGGAGE	BOX ASSY LUGGAGE	1	
**	83500	83500-LCD3-E00	COVER R BODY	COVER R BODY	1	
**	83520	83520-LCD3-E00	COVER R SIDE	COVER R SIDE	1	
**	83600	83600-LCD3-E00	COVER L BODY	COVER L BODY	1	
**	83620	83620-LCD3-E00	COVER L SIDE	COVER L SIDE	1	
	90105-GGS7	90105-GGS7-001	PIN HINGE	PIN HINGE	1	
	90105-KHB4	90105-KHB4-900	BOLT WASH M8*60	BOLT WASH M8*60	1	
	90106	90106-KUDU-900	BOLT SPECIAL 8*26	BOLT SPECIAL 8*26	2	
	90215	90215-KKC4-900	NUT CAP 6MM	NUT CAP 6MM	3	
	90302	90302-SDA4-004	NUT SPRING 4MM	NUT SPRING 4MM	10	
	93891	93891-05012-06	SCREW WASHER 5*12	SCREW WASHER 5*12	2	
	93903-34360	93903-34360	SCREW TAPPING 4*12	SCREW TAPPING 4*12	12	
	93903-GFY6	93903-GFY6-900	SCREW TAPP 4*14	SCREW TAPP 4*14	8	
	95701	95701-06012-08	BOLT FLANGE 6*12	BOLT FLANGE 6*12	2	



Sales mark	Ref no	Part no	Description	Reg description	Regd no	F13
	11209	11209-LCD3-E00	STAY B RR FENDER	STAY B RR FENDER	1	
	11211	11211-KHB4-900	TUBE BREATHER	TUBE BREATHER	1	
	11221	11221-KHB4-900	TUBE BREATHER MISSION	TUBE BREATHER MISSION	1	
	17214	17214-KHB4-900	SEAL AIR/C COVER	SEAL AIR/C COVER	1	
	17226	17226-KHB4-900	ELEMENT SEAL	ELEMENT SEAL	1	
	17236	17236-KFBF-910	PLATE	PLATE	1	
	17239	17239-KHB4-900	TUBE AIR/C BLOW BY	TUBE AIR/C BLOW BY	1	
	1723A	1723A-LEJ8-E00	CASE ASSY AIR/C	CASE ASSY AIR/C	1	
	1723B	1723B-LCD3-E00	COVER ASSY AIR/C	COVER ASSY AIR/C	1	
	1723C	1723C-KHB4-900	ELEMENT ASSY AIR/C	ELEMENT ASSY AIR/C	1	
	17254	17254-KACA-P00	PLUG AIR/C CONN TUBE	PLUG AIR/C CONN TUBE	1	
	17359	17359-4K19-671	JOINT BREATHER TUBE	JOINT BREATHER TUBE	1	
	17370	17370-4K19-701	PLUG BREATH TUBE	PLUG BREATH TUBE	1	
	17371	17371-1D74-671	CLIP BREATHER TUBE	CLIP BREATHER TUBE	2	
	90114	90114-GDM4-011	BOLT FLANGE SH 6*28	BOLT FLANGE SH 6*28	2	
	90652	90652-GFY6-901	BAND 49 AIR/C CONNECTING TUBE	BAND 49 AIR/C CONNECTING TUBE	1	
	93903	93903-25460	SCREW TAPPING 5*20	SCREW TAPPING 5*20	7	
	94111	94111-06800	WASHER SPRING 6MM	WASHER SPRING 6MM	1	
	95002-02080	95002-02080	CLIP B8 CHAMBER TUBE	CLIP B8 CHAMBER TUBE	1	
	95002-02130	95002-02130	CLIP B12.5 TUBE	CLIP B12.5 TUBE	5	



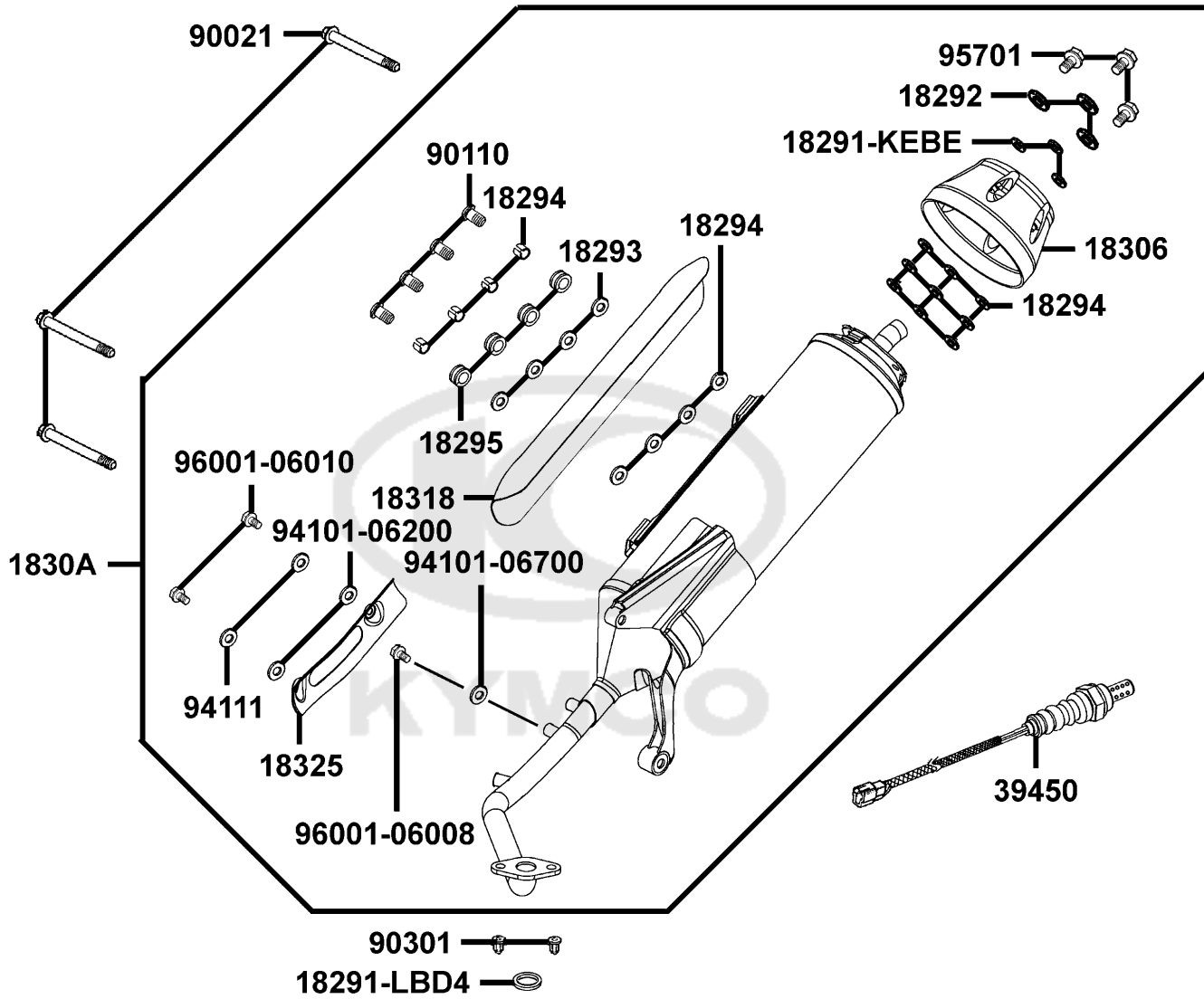
Sales mark	Ref no	Part no	Description	Reg description	Regd no	<b>F13</b>
------------	--------	---------	-------------	-----------------	---------	------------

95003		95003-23029-60	V TUBE 8*12*290	V TUBE 8*12*290	1	
96001		96001-GFY6-900	BOLT SPECIAL 5*10	BOLT SPECIAL 5*10	1	

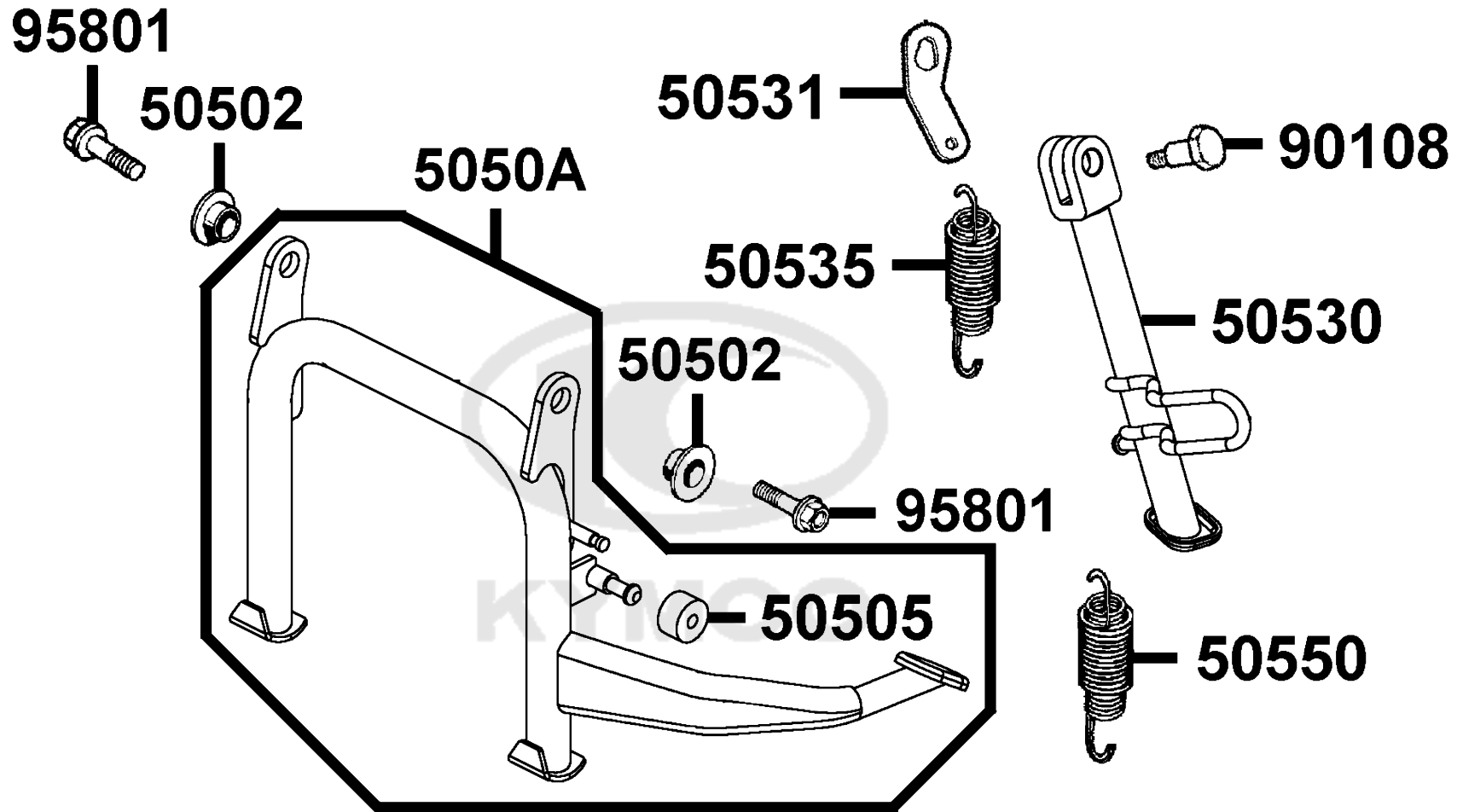


F14

Exhaust Muffler



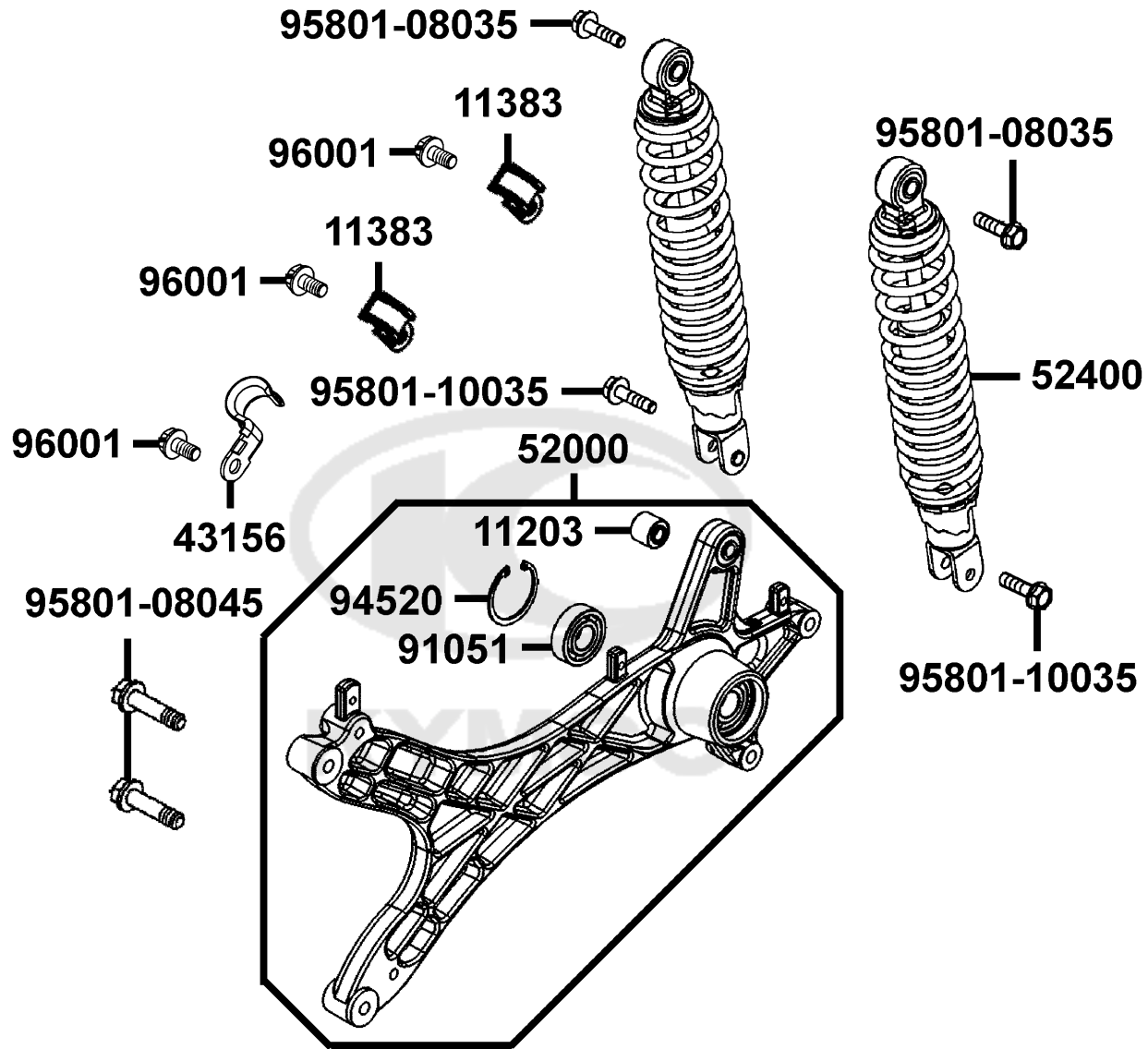
Sales mark	Ref no	Part no	Description	Reg description	Regd no	F14
	18291-KEBE	18291-KEBE-900	COLLAR	COLLAR	3	
	18291-LBD4	18291-LBD4-900	GASKET EXH PIPE	GASKET EXH PIPE	1	
	18292	18292-KEBE-900	PACKING PROTECTOR	PACKING PROTECTOR	3	
	18293	18293-KECE-900	RUBBER A PROTECTOR	RUBBER A PROTECTOR	4	
	18294	18294-KEBE-900	PACKING PROTECTOR	PACKING PROTECTOR	17	
	18295	18295-KECE-900	COLLAR 6MM	COLLAR 6MM	4	
**	18306	18306-LAC7-900	TAIL CAP MUFFLER	TAIL CAP MUFFLER	1	
**	1830A	1830A-LEJ8-E00	MUFFLER ASSY .EXH	MUFFLER ASSY .EXH	1	
**	18318	18318-LCD3-E00	PROTECTOR MUFFLER	PROTECTOR MUFFLER	1	
**	18325	18325-LEJ8-E00	PROTECTOR EXH PIPE	PROTECTOR EXH PIPE	1	
	39450	39450-LEA6-800	O2 SENSOR	O2 SENSOR	1	
	90021	90021-GFY6-900	BOLT WASHER COMP 8*42	BOLT WASHER COMP 8*42	3	
	90110	90110-LCD1-E00	SCREW SPECIAL 6*25	SCREW SPECIAL 6*25	4	
	90301	90301-GFY6-901	NUT (HEX) CAP 8MM	NUT (HEX) CAP 8MM	2	
	94101-06200	94101-06200	WASHER PLAIN 6MM	WASHER PLAIN 6MM	2	
	94101-06700	94101-06700	WASHER PLAIN 6MM	WASHER PLAIN 6MM	1	
	94111	94111-06800	WASHER SPRING 6MM	WASHER SPRING 6MM	2	
	95701	95701-06028-07	BOLT WASHER 6*28	BOLT WASHER 6*28	3	
	96001-06008	96001-06008-07	BOLT FLANGE 6*8	BOLT FLANGE 6*8	1	
	96001-06010	96001-06010-02	BOLT FLANGE SH 6*10	BOLT FLANGE SH 6*10	2	



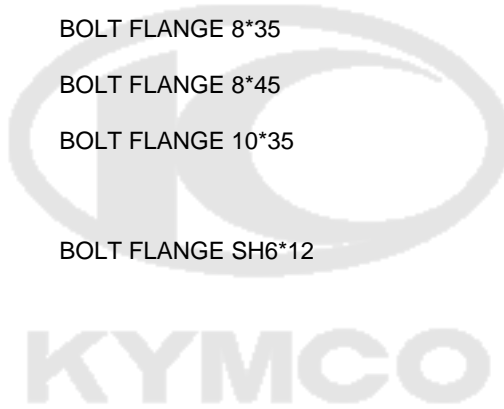


Sales mark	Ref no	Part no	Description	Reg description	Regd no	<b>F15</b>
50502		50502-GFY6-901	COLLAR MAIN STAND	COLLAR MAIN STAND	2	
50505		50505-LAD9-900	STOPPER RUBBER	STOPPER RUBBER	1	
5050A		5050A-LCD3-E00	STAND ASSY MAIN	STAND ASSY MAIN	1	
50530		50530-LCD3-E00	BAR SIDE STAND	BAR SIDE STAND	1	
50531		50531-KEB7-E00	PLATE SPRING STOPPER	PLATE SPRING STOPPER	1	
50535		50535-KEB7-E00	SPRING COMP SIDE STAND	SPRING COMP SIDE STAND	1	
50550		50550-KKC2-E00	SPRING ASSY MAIN STAND	SPRING ASSY MAIN STAND	1	
90108		90108-KFA6-E00	SCREW SIDE STAND PIVOT	SCREW SIDE STAND PIVOT	1	
95801		95801-10025-08	BOLT FLANGE 10*25	BOLT FLANGE 10*25	2	



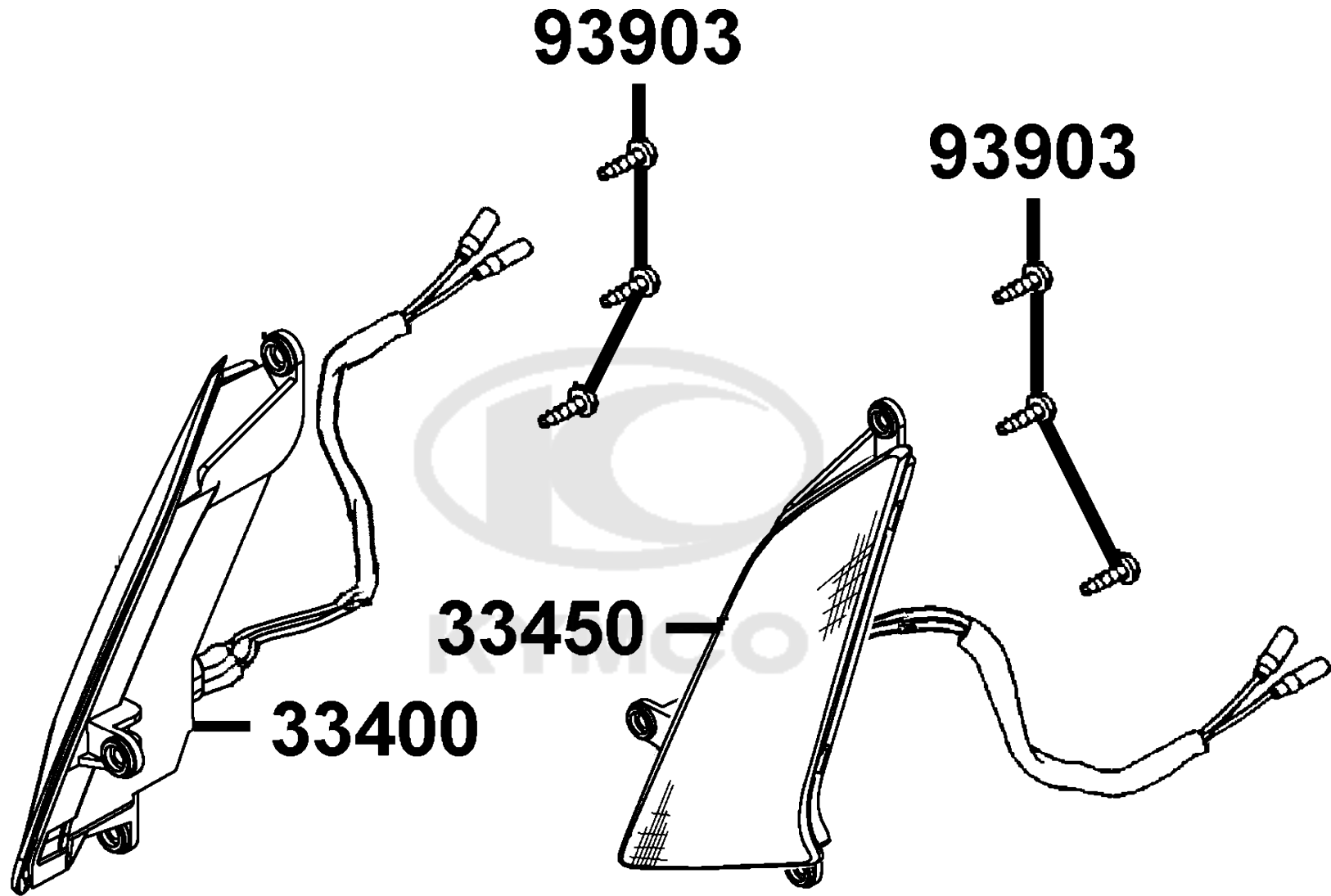


Sales mark	Ref no	Part no	Description	Reg description	Regd no	F16
	11203	11203-GGC7-301	UNDER RUBBER BUSH RR CUSHION	UNDER RUBBER BUSH RR CUSHION	1	
	11383	11383-KHE7-900	CLAMPER RR BRK HOSE	CLAMPER RR BRK HOSE	2	
	43156	43156-KKC4-900	CLAMPER HOSE RR	CLAMPER HOSE RR	1	
**	52000	52000-LEJ8-E00	FORK ASSY RR	FORK ASSY RR	1	
**	52400	52400-LCD3-E00	CUSHION ASSY RR	CUSHION ASSY RR	2	
	91051	91051-KFBF-901	BRG BALL RAKIAL 6203ZZ	BRG BALL RAKIAL 6203ZZ	1	
	94520	94520-40000	CIR CLIP IN 40	CIR CLIP IN 40	1	
	95801-08035	95801-08035-08	BOLT FLANGE 8*35	BOLT FLANGE 8*35	2	
	95801-08045	95801-08045-06	BOLT FLANGE 8*45	BOLT FLANGE 8*45	2	
	95801-10035	95801-10035-08	BOLT FLANGE 10*35	BOLT FLANGE 10*35	2	
	96001	96001-06012-06	BOLT FLANGE SH6*12	BOLT FLANGE SH6*12	1	



F17

Front Winker



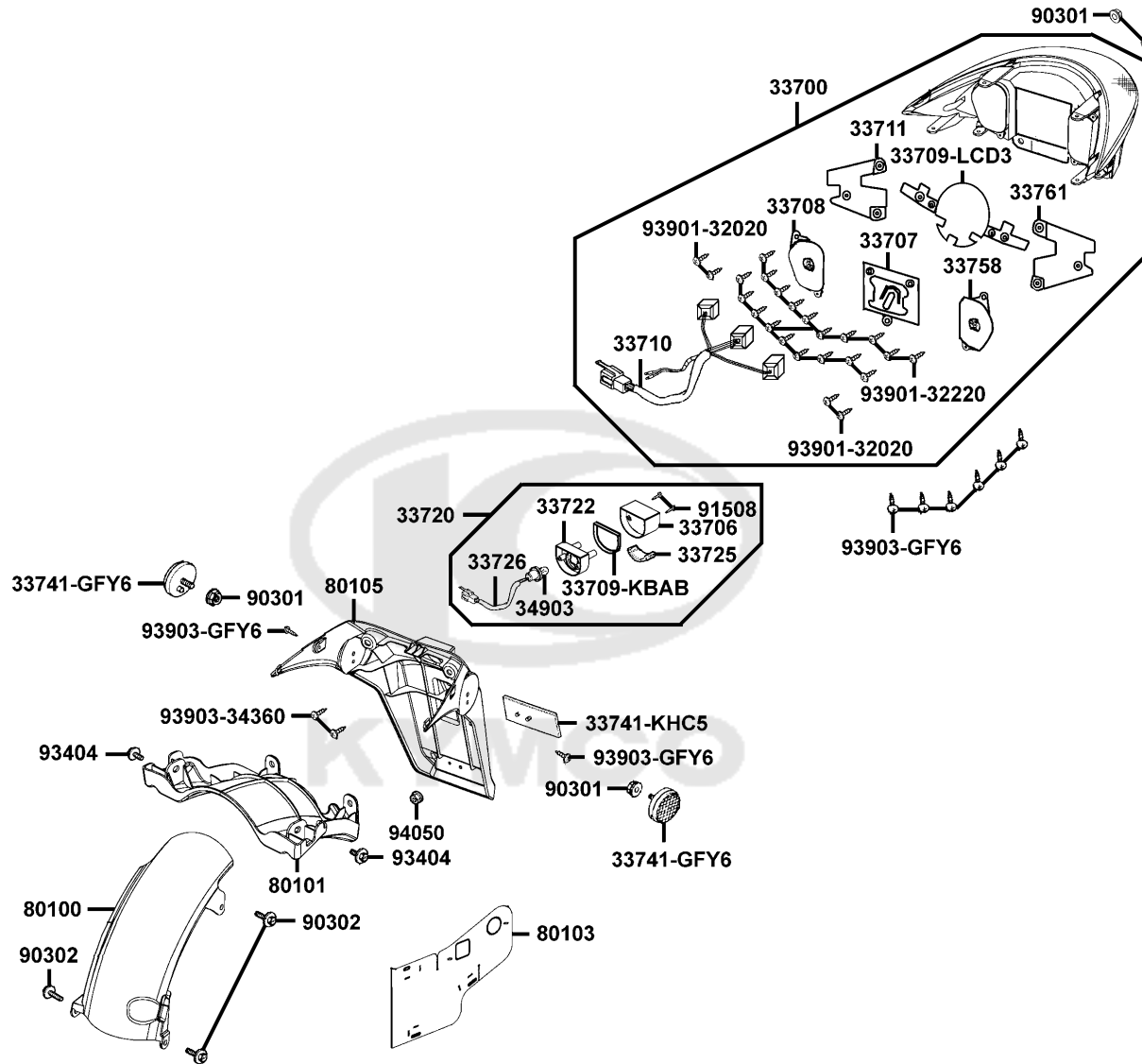
Sales mark	Ref no	Part no	Description	Reg description	Regd no	<b>F17</b>
------------	--------	---------	-------------	-----------------	---------	------------

33400		33400-LCD3-E00	WINKER ASSY R FR	WINKER ASSY R FR	1	
33450		33450-LCD3-E00	WINKER ASSY L FR	WINKER ASSY L FR	1	
93903		93903-34360	SCREW TAPPING 4*12	SCREW TAPPING 4*12	6	





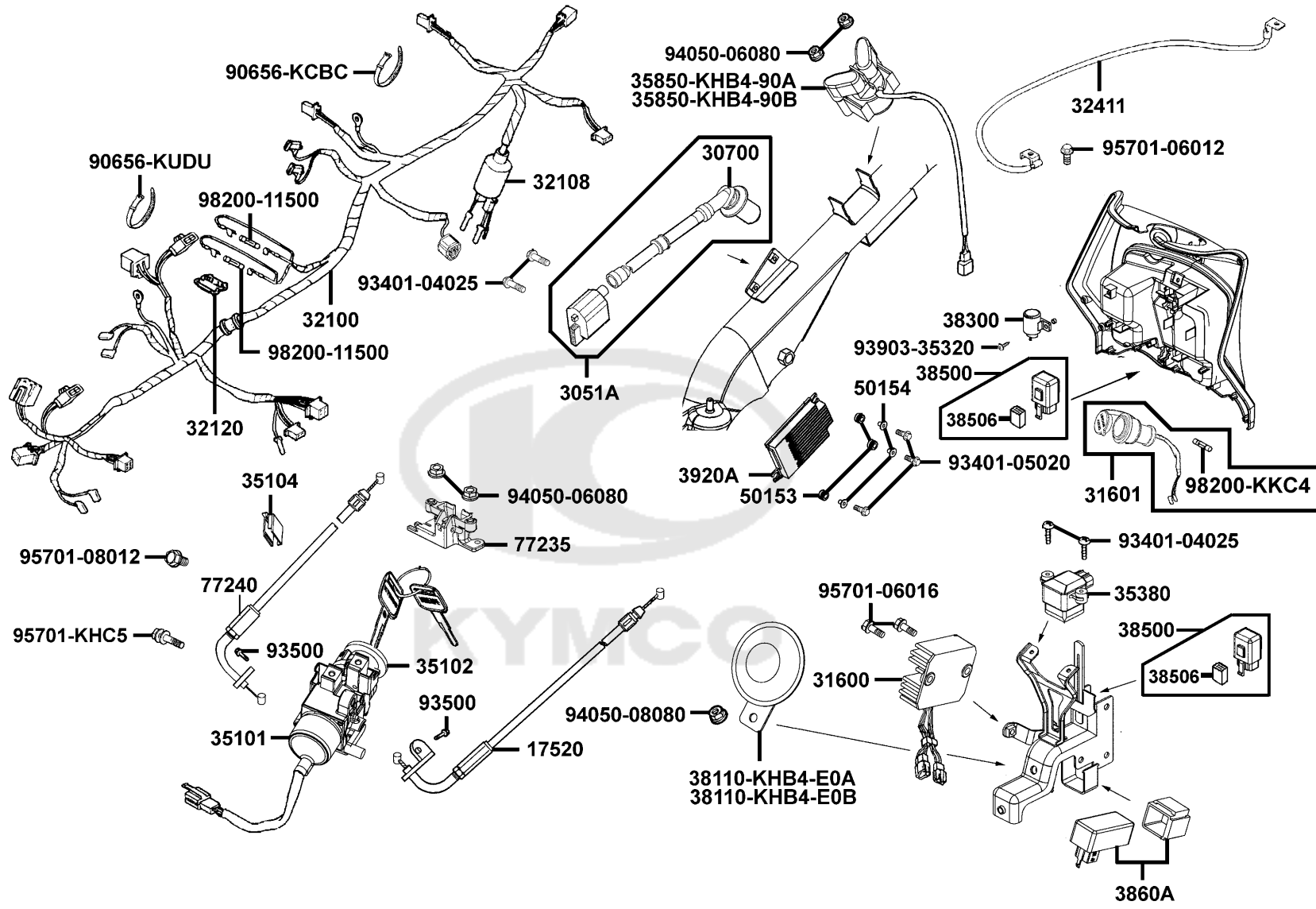
Sales mark	Ref no	Part no	Description	Reg description	Regd no	<b>F18</b>
33700		33700-LCD3-E00	LIGHT ASSY TAIL	LIGHT ASSY TAIL	1	
33706		33706-KHB4-E01	COVER LICENSE	COVER LICENSE	1	
33707		33707-LCD3-E00	COVER TAIL LIGHT	COVER TAIL LIGHT	1	
33708		33708-LCD3-E00	COVER RR WINKER R	COVER RR WINKER R	1	
33709-KBAB		33709-KBAB-003	PACKING LICENSE	PACKING LICENSE	1	
33709-LCD3		33709-LCD3-E00	PCB TAIL LIGHT	PCB TAIL LIGHT	1	
33710		33710-LCD3-E00	SOCKET COMP	SOCKET COMP	1	
33711		33711-LCD3-E00	PCB RR WINKER R	PCB RR WINKER R	1	
33720		33720-KHB4-E00	LIGHT ASSY LICENSE	LIGHT ASSY LICENSE	1	
33722		33722-KHB4-E00	BASE LICENSE	BASE LICENSE	1	
33725		33725-KHB4-E00	LENS LICENSE	LENS LICENSE	1	
33726		33726-KHB4-E00	SCOKET COMP	SCOKET COMP	1	
33741-GFY6		33741-GFY6-C30	REFLEX REFLECTOR	REFLEX REFLECTOR	2	
33741-KHC5		33741-KHC5-M00	REFLEX REFLECTOR	REFLEX REFLECTOR	1	
33758		33758-LCD3-E00	COVER RR WINKER L	COVER RR WINKER L	1	
33761		33761-LCD3-E00	PCB RR WINKER L	PCB RR WINKER L	1	
34903		34903-KPCP-900	BULB POSITION	BULB POSITION	1	
80100		80100-LCD3-E00	FENDER RR TIRE	FENDER RR TIRE	1	
80101		80101-LCD3-E00	FENDER A REAR	FENDER A REAR	1	
80103		80103-LCD3-E01	PLATE SPLASH BOARD	PLATE SPLASH BOARD	1	



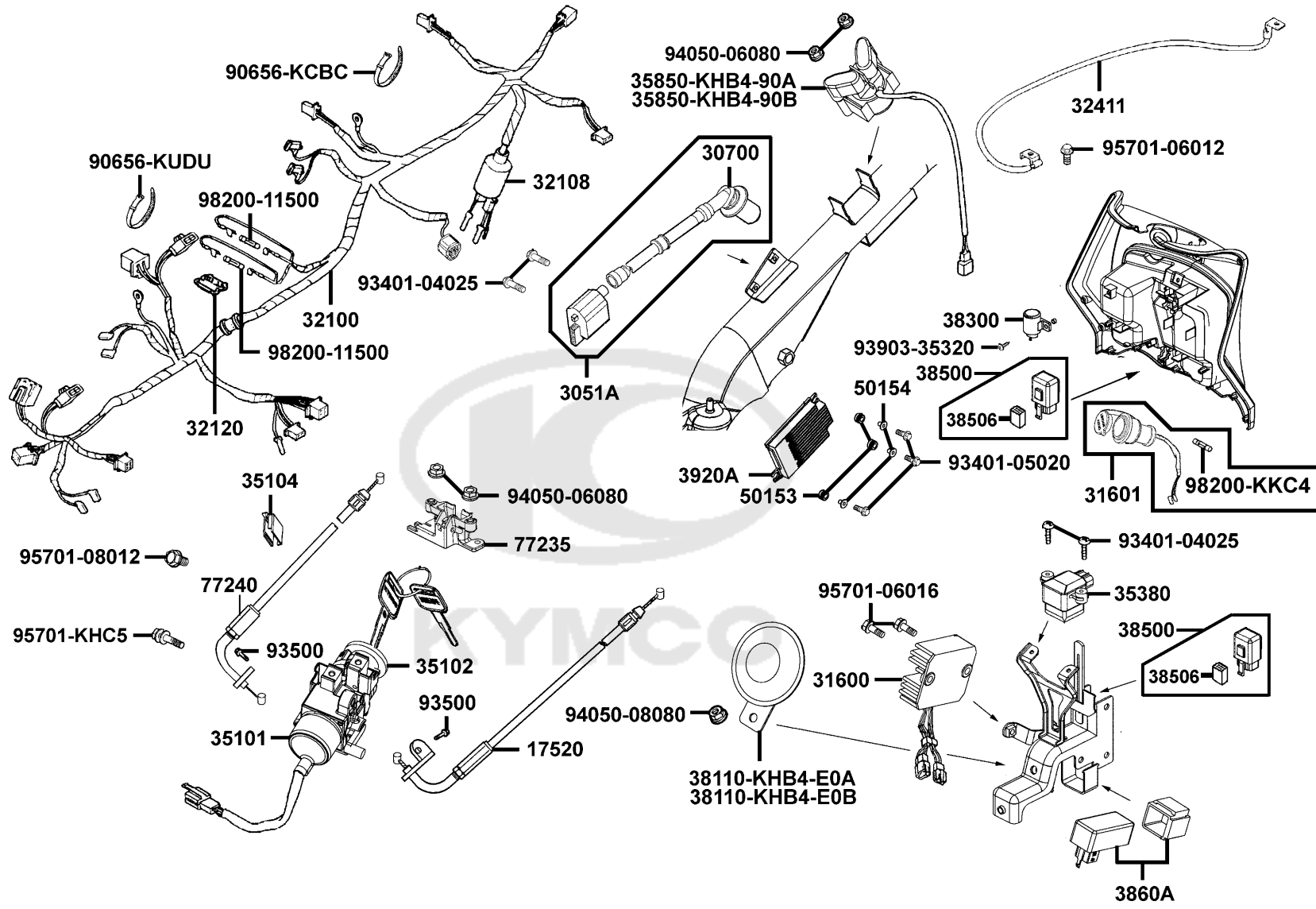


Sales mark	Ref no	Part no	Description	Reg description	Regd no	<b>F18</b>
80105		80105-LCD3-E00	FENDER REAR	FENDER REAR	1	
90301		90301-6D34-671	NUT FLANGE 6MM	NUT FLANGE 6MM	4	
90302		90302-GFY6-901	BOLT WASH 5*12	BOLT WASH 5*12	3	
91508		91508-KGV7-67A	SCREW TAPPING 4*14	SCREW TAPPING 4*14	2	
93404		93404-06012-08	BOLT WASHER 6*12	BOLT WASHER 6*12	2	
93901-32020		93901-32020	SCREW TAPPING 3*6	SCREW TAPPING 3*6	4	
93901-32220		93901-32220	SCREW TAPPING 3*10	SCREW TAPPING 3*10	19	
93903-34360		93903-34360	SCREW TAPPING 4*12	SCREW TAPPING 4*12	2	
93903-GFY6		93903-GFY6-900	SCREW TAPP 4*14	SCREW TAPP 4*14	8	
94050		94050-05080	NUT FLANGE 5MM	NUT FLANGE 5MM	1	





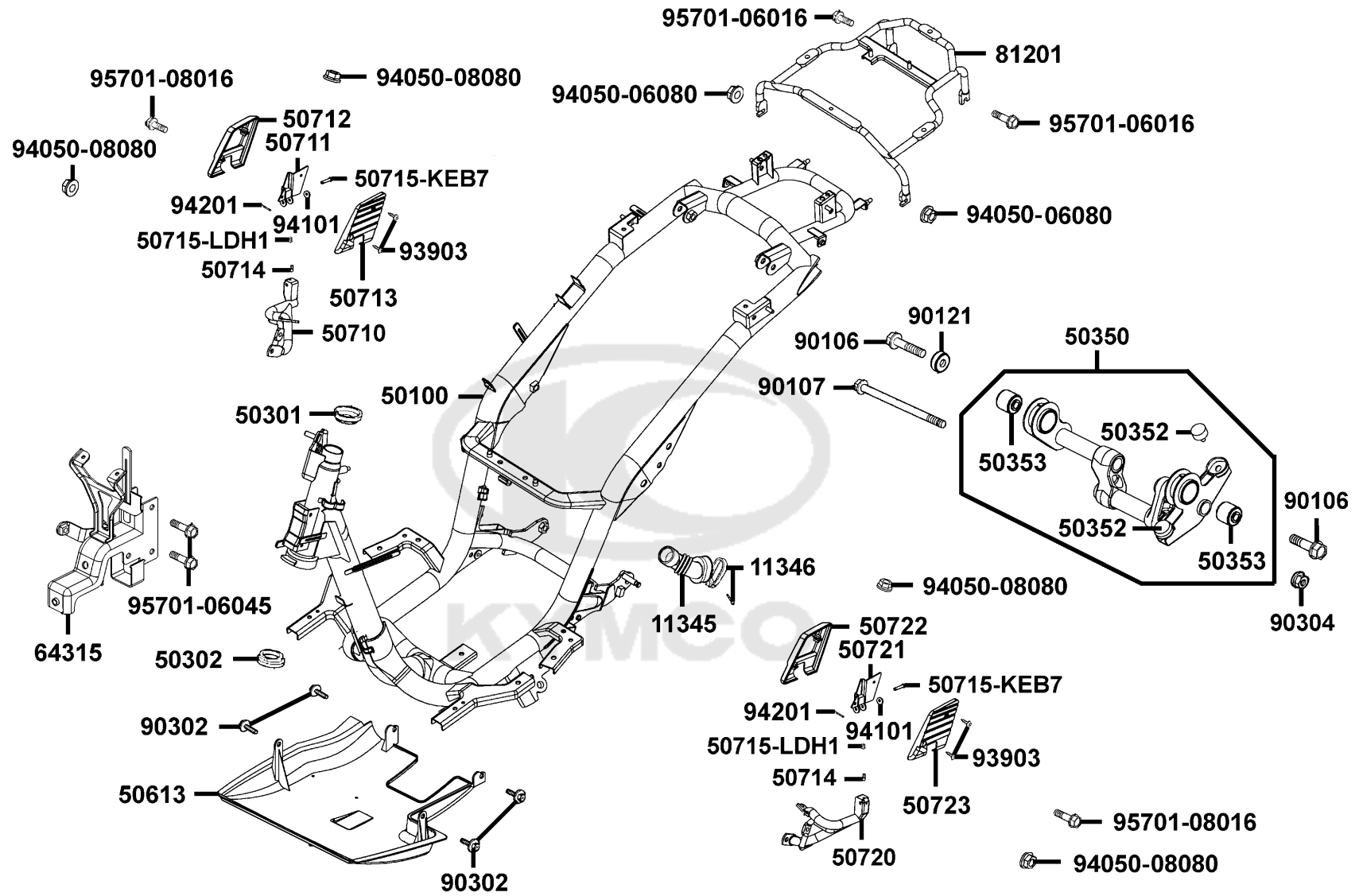
Sales mark	Ref no	Part no	Description	Reg description	Regd no	F19
	17520	17520-LCD3-E00	CABLE LID LOCK	CABLE LID LOCK	1	
	3051A	3051A-LEJ8-E00	COIL ASSY. IGN	COIL ASSY. IGN	1	
	30700	30700-LEJ8-E00	CAP ASSY NOISE SUPPRESOR	CAP ASSY NOISE SUPPRESOR	1	
	31600	31600-KAM1-009	REG REC COMP	REG REC COMP	1	
	31601	31601-LBA2-E00	SOCKET COMP DC 12V	SOCKET COMP DC 12V	1	
	32100	32100-LEJ8-E00	HARNESS WIRE	HARNESS WIRE	1	
	32108	32108-GAR1-711	COVER HARNESS WIRE	COVER HARNESS WIRE	1	
	32120	32120-3C83-831	CASE FUSE 10A	CASE FUSE 10A	1	
	32411	32411-LCD3-E00	CABLE BATTERY	CABLE BATTERY	1	
	35101	35101-LCD3-325-M2	SW COMB &LOCK	SW COMB &LOCK	1	
	35102	35102-LCD3-E0B	COLLAR MAIN SW	COLLAR MAIN SW	1	
	35104	35104-LBC6-90A	PLATE COVER FUEL CAP CABLE	PLATE COVER FUEL CAP CABLE	1	
	35380	35380-KKE3-900	SENSOR ANGLE DETECT	SENSOR ANGLE DETECT	1	
	35850-KHB4-90A	35850-KHB4-90A	SET START MAG	SET START MAG	1	
	35850-KHB4-90B	35850-KHB4-90B	SET START MAG	SET START MAG	1	
	38110-KHB4-E0A	38110-KHB4-E0A	HORN COMP	HORN COMP	1	
	38110-KHB4-E0B	38110-KHB4-E0B	HORN COMP	HORN COMP	1	
	38300	38300-LBG7-900	RELAY COMP WINKER	RELAY COMP WINKER	1	
	38500	38500-LGL3-90D	RELAY COMP. START	RELAY COMP. START	1	
	38506	38506-KHD8-900	CUSHION START RELAY	CUSHION START RELAY	2	



Sales mark	Ref no	Part no	Description	Reg description	Regd no	<b>F19</b>
	3860A	3860A-LEJ8-E00	CONTROL ASSY UNIT LIGHTING	CONTROL ASSY UNIT LIGHTING	1	
	3920A	3920A-LEJ8-800	ASSY ECU	ASSY ECU	1	
	50153	50153-KKE3-900	RUBBER ECU	RUBBER ECU	3	
	50154	50154-KKE3-900	COLLAR ECU	COLLAR ECU	3	
	77235	77235-KGC4-E0B	SEAT CATCH	SEAT CATCH	1	
	77240	77240-LCD3-E00	CABLE SEAT LOCK	CABLE SEAT LOCK	1	
	90656-KCBC	90656-KCBC-900	BAND OIL HANDLE	BAND OIL HANDLE	1	
**	90656-KUDU	90656-KUDU-900	BAND HARNESS WIRE	BAND HARNESS WIRE	1	
	93401-04025	93401-04025-08	BOLT WASHER 4*25	BOLT WASHER 4*25	4	
	93401-05020	93401-05020-08	SCREW WASHER 5*20	SCREW WASHER 5*20	3	
	93500	93500-04020-0G	SCREW PAN 4*20	SCREW PAN 4*20	2	
	93903-35320	93903-35320	SCREW TAPPING 5*16	SCREW TAPPING 5*16	1	
	94050-06080	94050-06080	NUT FLANGE 6MM	NUT FLANGE 6MM	4	
	94050-08080	94050-08080	NUT FLANGE 8MM	NUT FLANGE 8MM	1	
	95701-06012	95701-06012-08	BOLT FLANGE 6*12	BOLT FLANGE 6*12	1	
	95701-06016	95701-06016-08	BOLT FLANGER 6*12	BOLT FLANGER 6*12	2	
	95701-08012	95701-08012-08	BOLT FLANGE 8X12	BOLT FLANGE 8X12	1	
	95701-KHC5	95701-KHC5-E00	BOLT TORQUE 8*25	BOLT TORQUE 8*25	1	
	98200-11500	98200-11500	FUSE A15	FUSE A15	2	
	98200-KKC4	98200-KKC4-900	FUSE 0.8A	FUSE 0.8A	1	

F20

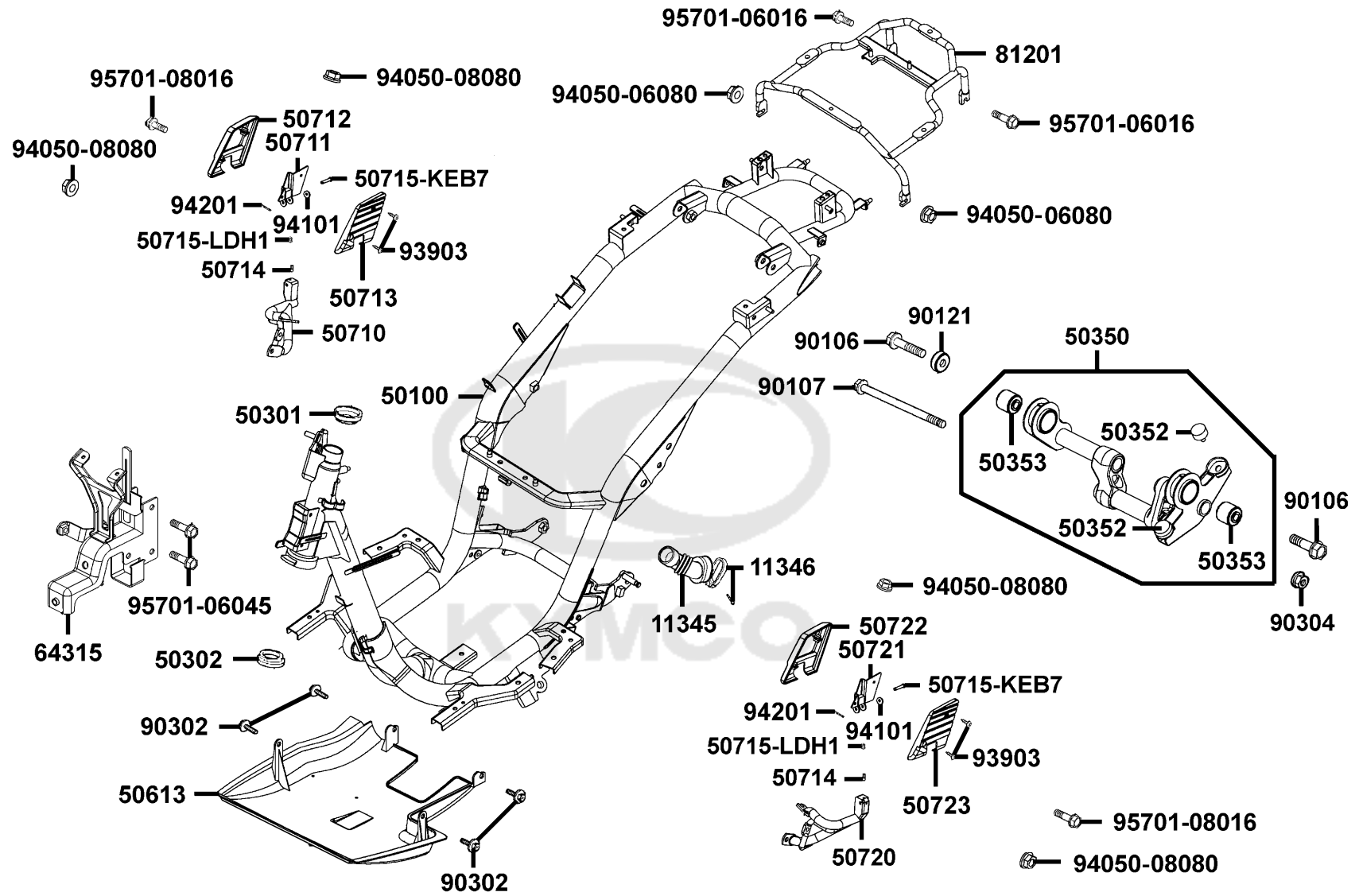
Frame Body



Sales mark	Ref no	Part no	Description	Reg description	Regd no	F20
	11345	11345-KHD6-900	DUCT L COVER	DUCT L COVER	1	
	11346	11346-KEBE-900	BAND L COVER DUCT	BAND L COVER DUCT	1	
	50100	50100-LEJ8-E00	BODY COMP FRAME	BODY COMP FRAME	1	
	50301	50301-KGN7-671	RACE UP STRG BALL	RACE UP STRG BALL	1	
	50302	50302-2H68-011	RACE (STRG BOT) BALL	RACE (STRG BOT) BALL	1	
	50350	50350-KHB4-901	ENG HANGER COMP	ENG HANGER COMP	1	
	50352	50352-GFY6-901	RUBBER STOPPER	RUBBER STOPPER	2	
	50353	50353-GBG2-711	BUSH SWING LOCK	BUSH SWING LOCK	2	
	50613	50613-LCD3-E00	COVER UNDER	COVER UNDER	1	
	50710	50710-LCD3-E00	PIPE R RR STEP	PIPE R RR STEP	1	
	50711	50711-LCD3-E00	STAY R RR STEP	STAY R RR STEP	1	
**	50712	50712-LEJ8-E00	COVER R RR STEP	COVER R RR STEP	1	
	50713	50713-LCD3-E00	RUBBER R RR STEP	RUBBER R RR STEP	1	
	50714	50714-LDH1-E00	PIN LOCK	PIN LOCK	2	
	50715-KEB7	50715-KEB7-900	PIN RR STEP	PIN RR STEP	2	
	50715-LDH1	50715-LDH1-E00	SPRING	SPRING	2	
	50720	50720-LCD3-E00	PIPE L RR STEP	PIPE L RR STEP	1	
	50721	50721-LCD3-E00	STAY L RR STEP	STAY L RR STEP	1	
**	50722	50722-LEJ8-E00	COVER L RR STEP	COVER L RR STEP	1	
	50723	50723-LCD3-E00	RUBBER L RR STEP	RUBBER L RR STEP	1	

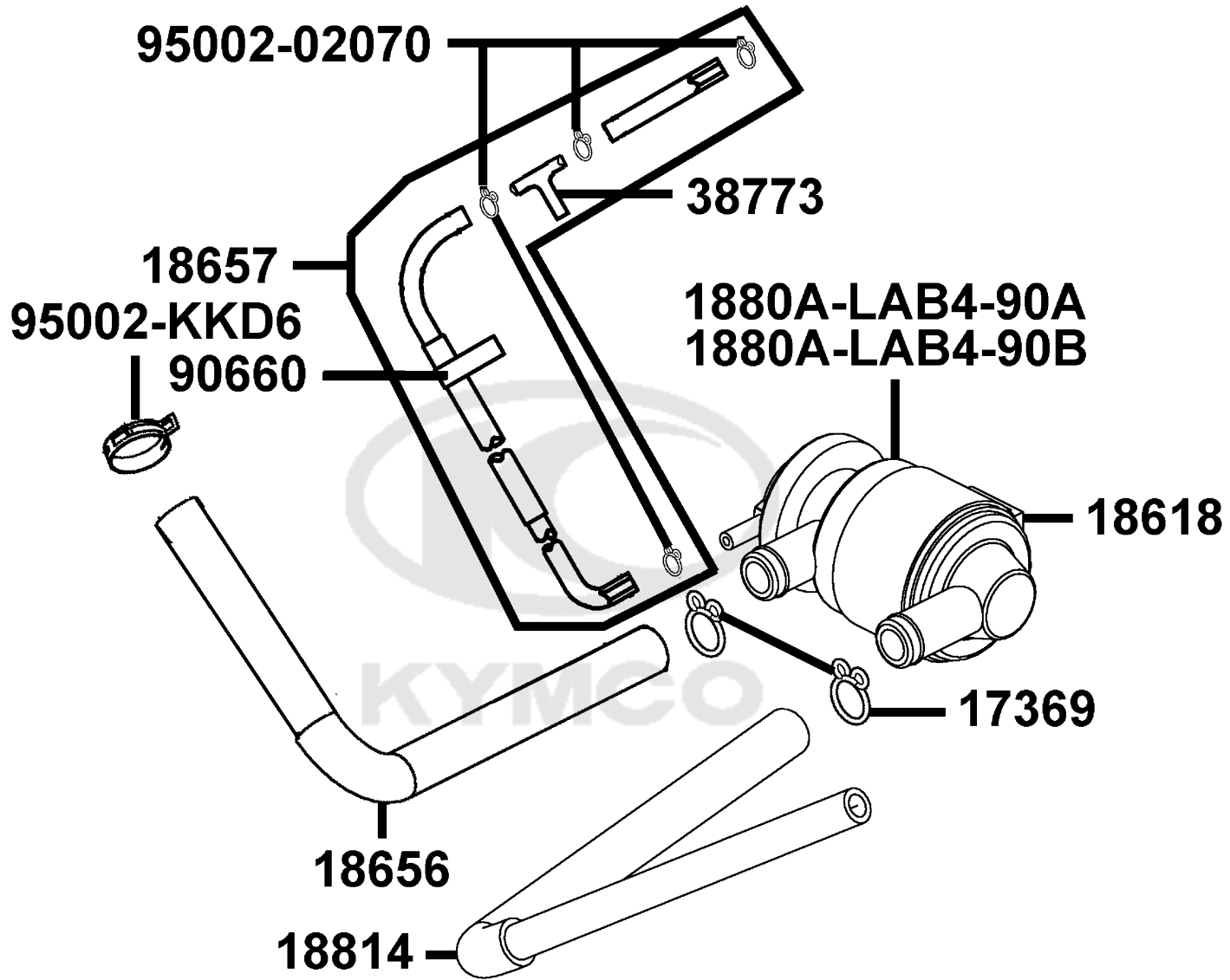
F20

Frame Body



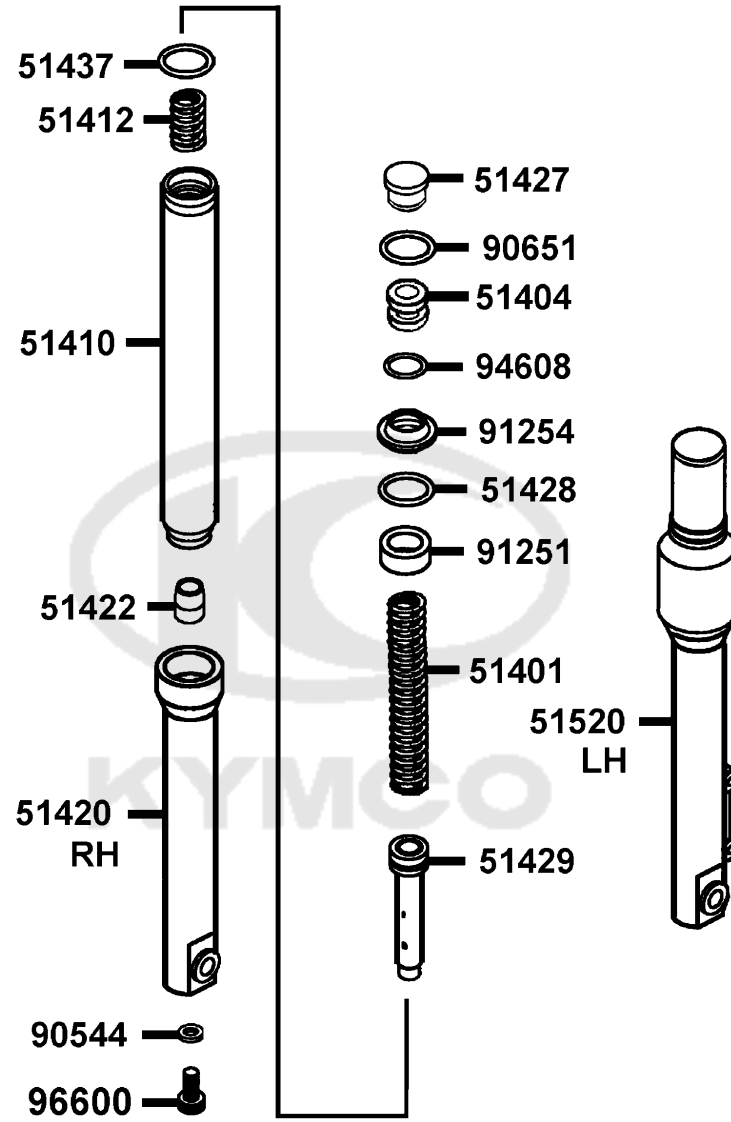


Sales mark	Ref no	Part no	Description	Reg description	Regd no	<b>F20</b>
64315		64315-LEJ8-E00	STAY FR COVER	STAY FR COVER	1	
81201		81201-LEJ8-E00	STAY RR CARRIER	STAY RR CARRIER	1	
90106		90106-GFY6-901	BOLT FLANGE 10*55	BOLT FLANGE 10*55	2	
90107		90107-KUDU-900	BOLT FLANGE 10*188	BOLT FLANGE 10*188	1	
90121		90121-GFY6-901	COLLAR DISTANCE	COLLAR DISTANCE	1	
90302		90302-GFY6-940	BOLT WASHER 5*16	BOLT WASHER 5*16	4	
90304		90304-GHE8-004-SY	NUT U FLANGE 10MM	NUT U FLANGE 10MM	1	
93903		93903-34360	SCREW TAPPING 4*12	SCREW TAPPING 4*12	4	
94050-06080		94050-06080	NUT FLANGE 6MM	NUT FLANGE 6MM	2	
94050-08080		94050-08080	NUT FLANGE 8MM	NUT FLANGE 8MM	4	
94101		94101-06800	WASHER PLAIN 6MM	WASHER PLAIN 6MM	2	
94201		94201-16120	PIN SPLIT 1.6*12	PIN SPLIT 1.6*12	2	
95701-06016		95701-06016-08	BOLT FLANGER 6*12	BOLT FLANGER 6*12	2	
95701-06045		95701-06045-08	BOLT FLANGE 6*45	BOLT FLANGE 6*45	2	
95701-08016		95701-08016-08	BOLT FLANGE 8*16	BOLT FLANGE 8*16	2	



Sales mark	Ref no	Part no	Description	Reg description	Regd no	F21
	17369	17369-KDB4-671	CLIP BREATHER TUBE	CLIP BREATHER TUBE	2	
	18618	18618-LLF5-90A	RUBBER AICV MOUNT	RUBBER AICV MOUNT	1	
	18618	18618-LLF5-90B	RUBBER AICV MOUNT	RUBBER AICV MOUNT	1	
	18656	18656-LEJ8-E01	DUCT AICV-REED VALVE	DUCT AICV-REED VALVE	1	
	18657	18657-LEJ8-E00	TUBE ASSY AICV-INLET PIPE	TUBE ASSY AICV-INLET PIPE	1	
	1880A-LAB4-90A	1880A-LAB4-90A	AI/C-AICV ASSY	AI/C-AICV ASSY	1	
	1880A-LAB4-90B	1880A-LAB4-90B	AI/C-AICV ASSY	AI/C-AICV ASSY	1	
	18814	18814-LEJ8-E00	DUCT AIR-AICV	DUCT AIR-AICV	1	
	38773	38773-PKB9-001	JOINT 3 WAY 3.5	JOINT 3 WAY 3.5	1	
	90660	90660-KNBN-921	CLAMPER TUBE	CLAMPER TUBE	1	
	95002-02070	95002-02070	CLIP B7 PORT TUBE	CLIP B7 PORT TUBE	2	
	95002-KKD6	95002-KKD6-E05	CLAMP D18 TUBE	CLAMP D18 TUBE	1	

Separated Parts Of Fr Fork



Sales mark	Ref no	Part no	Description	Reg description	Regd no	F22
	51401	51401-LCD3-E00	SPRING	SPRING	2	
	51404	51404-LCD3-E00	SPRING COLLAR	SPRING COLLAR	2	
	51410	51410-LCD3-E00	FORK PIPE COMP	FORK PIPE COMP	2	
	51412	51412-LCD3-E00	REBOUND SPRING	REBOUND SPRING	2	
**	51420	51420-LCD3-E00	BOTTOM CASE R	BOTTOM CASE R	1	
	51422	51422-LCD3-E00	OIL LOCK PIECE	OIL LOCK PIECE	2	
	51427	51427-LCD3-E00	FORK BOLT CAP	FORK BOLT CAP	2	
	51428	51428-KKAK-900	RING OIL SEAL STOPPER	RING OIL SEAL STOPPER	2	
	51429	51429-LCD3-E00	PIPE SEAT COMP	PIPE SEAT COMP	2	
	51437	51437-KKAK-900	PISTON RING	PISTON RING	1	
**	51520	51520-LCD3-E00	BOTTOM CASE L	BOTTOM CASE L	1	
	90544	90544-KEC8-900	PACKING	PACKING	2	
	90651	90651-LCD3-E00	STOPPER RING	STOPPER RING	2	
	91251	91251-KKAK-900	OIL SEAL	OIL SEAL	2	
	91254	91254-KHD8-900	DUST SEAL	DUST SEAL	2	
	94608	94608-LCD3-E00	O-RING	O-RING	2	
	96600	96600-LBA2-E00	BOCKET BOLT	BOCKET BOLT	2	

<ul style="list-style-type: none"> <li>● Be sure to wear a safety helmet when riding.</li> <li>● Do not exceed the speed specified by law when riding.</li> <li>● The exhaust muffler temperature is very high after riding. Be sure to park the motorcycle in a place not easily touched by people.</li> <li>● For riding safety and good performance, do not violate the law to modify the motorcycle.</li> </ul>	<ul style="list-style-type: none"> <li>● Make sure to perform the periodic maintenance and periodic inspection.</li> </ul> <div style="border: 1px solid black; padding: 2px; text-align: center; margin: 5px 0;"> <b>Periodic Inspection Items</b> </div> <p>Brake Performance, tires, engine oil level, lights, horn, and Instrument panel</p> <p style="text-align: center;">KWANG YANG MOTOR CO., LTD.</p>
---	--

● Please read the User's Manual carefully to ensure driving safety.

87560

**CAUTIONS**

Tire Size	:Front 100/80-16	Rear 120/80-16
(One Rider)	:Front 1.5 kgf/cm <sup>2</sup>	Rear 1.75kgf/cm <sup>2</sup>
(Two Rider)	:Front 2.0 kgf/cm <sup>2</sup>	Rear 2.25kgf/cm <sup>2</sup>
Load Capacity	:Shield 1.5kg	Clip assy center 3kg
(As per KYMCO standard specification )		
(Note:The tire pressure must not overpass 2.3 kgf/cm <sup>2</sup> )		

- Check the motor oil level with the dipstick after refilling motor oil.

LGS-800

87505

**CAUTION**

Mobile phone charge only , Use other appliance may cause damage .

KKC2-6000

87541-KKC2

**CAUTIONS**

Never put any article between the rear side cover and the engine to avoid interference of riding.

GMS-300

87542

**CAUTIONS**

Before starting the engine,the side stand shall be kicked up to secure safety.

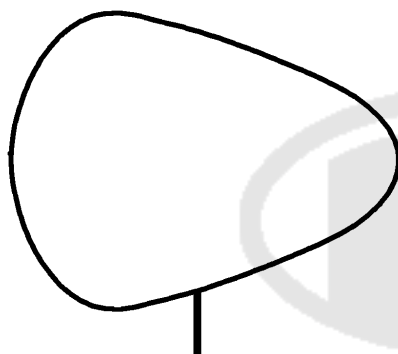
87541-GAR1

Sales mark	Ref no	Part no	Description	Reg description	Regd no	<b>F23</b>
**	87505	87505-LCD3-E00	LABEL TIRE	LABEL TIRE	1	
**	87541-GAR1	87541-GAR1-E00	CAUTION SIDE STAND	CAUTION SIDE STAND	1	
**	87541-KKC2	87541-KKC2-E00	CAUTION MOBILE PHONE	CAUTION MOBILE PHONE	1	
**	87542	87542-GAR1-E00	MARK MAINT CAUTION	MARK MAINT CAUTION	1	
**	87560	87560-GFY6-E00	MARK DRIVE CAUTION	MARK DRIVE CAUTION	1	

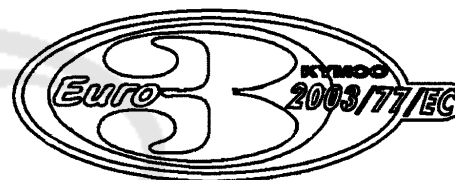




86202



87140-LEJ8-E10



87311



87140-LEJ8-E00



Sales mark	Ref no	Part no	Description	Reg description	Regd no	<b>F24</b>
------------	--------	---------	-------------	-----------------	---------	------------

**	86202	86202-LCD3-E10	EMB BODY COVER	EMB BODY COVER	2	
**	87140-LEJ8-E00	87140-LEJ8-E00	EMB MARK 200i	EMB MARK 200i	2	
**	87140-LEJ8-E10	87140-LEJ8-E10	EMB ENG COVER	EMB ENG COVER	1	



## PART NO. INDEX

PART NO.	VERSION	PAGE	PART NO.	VERSION	PAGE	PART NO.	VERSION	PAGE
<b>11000</b>			11395-KHB4-900	0	E01	14401-KUDU-90C	0	E03
			<b>12000</b>			14431-KUDU-900	3	E02
11100-LCD4-E00	2	E01				14450-GFY6-901	0	E02
11102-1G87-004	3	E01	12100-LCD4-E00	3	E03	14452-GFY6-901	0	E02
11192-KUDU-900	0	E01	12191-LCD4-E00	1	E03	14510-KUDU-C00	0	E03
11192-KUDU-980	1	E01	12200-LEJ8-E00	1	E02	14523-GFY6-901	1	E03
11200-LCD4-E00	4	E01	12209-GDB4-68A	0	E02	14531-GLR0-001	1	E03
11203-GGC7-301	2	E01	12209-GDB4-68B	0	E02	14610-KUDU-C00	0	E03
11203-GGC7-301	2	F16	12211-KUDU-900	4	E02	14711-KFB7-900	1	E02
11206-LCD3-E00	1	E01	12251-LCD4-E00	2	E02	14721-KFB7-900	0	E02
11208-LCD3-E00	2	E04	12310-KHB4-900	0	E02	14751-KKJ9-003	1	E02
11209-LCD3-E00	3	F13	12361-GFY6-901	1	E04	14761-KKJ9-003	1	E02
11211-KHB4-900	0	F13	12391-GFY6-941	0	E02	14771-GDB4-680	2	E02
11221-KHB4-900	1	F13				14775-MFA6-001	0	E02
11331-LCD3-E00	4	E04	<b>13000</b>			14781-MFA6-001	0	E02
11341-KHB4-900	2	E01				<b>15000</b>		
11345-KHD6-900	0	F20	13000-KFB7-900	9	E03			
11346-KEBE-900	0	F20	13011-LCD4-E00	1	E03	15100-KFB7-900	0	E06
11353-LEA6-900	1	E01	13101-LCD4-E00	4	E03	15133-GFY6-901	0	E06
11383-KHE7-900	0	F06	13111-KKJ9-001	3	E03	15141-GFY6-90B	0	E06
11383-KHE7-900	0	F16				15141-GFY6-90C	1	E06
11383-KUDU-900	0	E01	<b>14000</b>			15421-1G07-001	1	E04
11386-GFY6-900	0	E07				15426-GAE1-921	0	E04
11394-KUDU-900	0	E04	14100-KFA9-220	1	E02	1565A-KUDU-900	0	E04
11394-KUDU-980	1	E04	14401-KUDU-900	0	E03	15711-KUDU-900	0	E06

## PART NO. INDEX

PART NO.	VERSION	PAGE	PART NO.	VERSION	PAGE	PART NO.	VERSION	PAGE
<b>16000</b>			<b>17000</b>			17563-LEJ8-E00	3	F10
16056-KKE3-900	9	E09	17113-KKE3-900	2	E02	17570-KKE3-900	0	F10
16068-KKE3-900	4	E09	1711A-KKE3-700	3	E02	1762A-KFA6-900	3	F10
16074-KEC3-900	4	E09	17214-KHB4-900	0	F13	17685-KZCZ-900	0	F10
1610K-LEJ8-E00	5	E09	17226-KHB4-900	0	F13	17910-LEJ8-E00	3	F03
16110-KGC5-900	1	E09	17236-KFBF-910	1	F13	<b>18000</b>		
16110-KKE3-900	2	E09	17239-KHB4-900	0	F13	18291-KEBE-900	0	F14
16111-KKE3-900	1	E09	1723A-LEJ8-E00	2	F13	18291-LBD4-900	2	F14
16112-KKE3-900	1	E09	1723B-LCD3-E00	3	F13	18292-KEBE-900	0	F14
16118-KEC3-900	0	E09	1723C-KHB4-900	0	F13	18293-KECE-900	0	F14
16122-KEC3-900	0	E09	17254-KACA-P00	0	F13	18294-KEBE-900	0	F14
16133-KEC3-900	1	E09	17256-GFY6-901	4	E02	18295-KECE-900	0	F14
16134-KKE3-900	5	E09	17359-4K19-671	0	F13	18306-LAC7-900	3	F14
16138-KEC3-900	1	E09	17369-KDB4-671	1	F21	1830A-LEJ8-E00	7	F14
16154-KKE3-900	4	E09	17370-4K19-701	0	F13	18318-LCD3-E00	5	F14
16160-KKE3-900	1	E09	17371-1D74-671	0	F13	18325-LEJ8-E00	3	F14
16170-KEC3-900	0	E09	17500-LEJ8-MY0	0	F10	18601-MAJ1-791	1	E02
16195-KEC3-900	0	E09	17510-LEJ8-E00	4	F10	18612-GFY6-941	0	E02
16201-GFY6-901	0	E02	17520-LCD3-E00	1	F19	18618-LLF5-90A	2	F21
16201-GFY6-910	1	E02	17530-LCD3-E00	1	F10	18618-LLF5-90B	1	F21
16211-GFY6-901	0	E02	17550-KFA6-900	1	F10	18645-GFY6-941	0	E02
			17550-LEJ8-E00	4	F10	18646-GFY6-941	0	E02
			17556-KKE3-900	5	F10	18647-GFY6-941	0	E02
			17560-LEJ8-E00	2	F10	18656-LEJ8-E01	1	F21

## PART NO. INDEX

PART NO.	VERSION	PAGE	PART NO.	VERSION	PAGE	PART NO.	VERSION	PAGE
18657-LEJ8-E00	2	F21				23200-GFY6-901	3	E05
1880A-LAB4-90A	2	F21	<b>22000</b>			23220-KFBF-900	0	E05
1880A-LAB4-90B	2	F21				23225-GHC8-004	0	E05
18814-LEJ8-E00	2	F21	22101-GFY6-941	3	E05	23226-GHC8-004	0	E05
			22102-KUDU-220	1	E05	23233-GCW3-011	0	E05
<b>19000</b>			22105-GFY6-220	1	E05	23237-GFY6-941	0	E05
			22110-KUDU-220	0	E05	23238-GFY6-941	0	E05
19504-LBA2-E00	3	F10	22111-KUDU-220	1	E05	23411-KHB4-900	0	E08
19510-KFB7-900	0	E07	22112-GFY6-90A	0	E05	23420-LCD3-E00	1	E08
1961A-KUDU-E10	2	E07	22121-GFY6-92A	2	E05	23431-KHB4-900	2	E08
19625-KUDU-910	0	E02	22131-GFY6-901	3	E05	23432-LCD3-E00	1	E08
19626-KUDU-900	0	E07	22132-KBN2-901	4	E05			
19627-LEJ8-E00	1	E07	22300-LHJ3-900	1	E05	<b>28000</b>		
19628-LEJ8-E00	1	E07	22350-GFY6-90A	1	E05			
19629-LEJ8-E00	1	E07	22350-LHJ3-900	1	E05	28101-GFY6-901	2	E06
1962A-LEJ8-E00	2	E07	22361-KGN7-671	1	E05	28102-GFY6-901	0	E06
19632-GFY6-901	1	E07	22361-LHJ3-900	1	E05	28110-GFY6-901	2	E06
19633-GFY6-901	0	E07	22401-LCD4-E00	1	E05	28120-GFY6-315	6	E06
19636-KUDU-C00	0	E07	22401-LHJ3-900	1	E05	28125-4F26-001	0	E06
1963A-LEJ8-E00	2	E07	22530-LHJ3-900	2	E05	28125-GFY6-960	3	E06
			22804-GBB2-001	0	E05	28126-KUDU-900	1	E06
<b>21000</b>						28211-KUDU-900	4	E05
			<b>23000</b>					
21200-LEJ8-E00	3	E08				<b>30000</b>		
21395-LCD3-E0A	1	E08	2301A-KEC6-900	5	E05			
			23100-LCD4-E0A	2	E05	3051A-LEJ8-E00	4	F19

## PART NO. INDEX

PART NO.	VERSION	PAGE	PART NO.	VERSION	PAGE	PART NO.	VERSION	PAGE
30700-LEJ8-E00	2	F19	32961-KUDU-900	0	E04	33758-LCD3-E00	0	F18
<b>31000</b>			<b>33000</b>			33761-LCD3-E00	0	F18
						<b>34000</b>		
31110-KKE3-90A	4	E07	33100-LCD3-E01	2	F01			
31110-KKE3-90B	3	E07	33105-LCD3-E00	0	F01	34300-KKE3-900	4	E09
31120-KKE3-90A	5	E07	33107-LCD3-E00	0	F01	34301-KKE3-900	2	E09
31120-KKE3-90B	3	E07	33109-LCD3-E00	0	F01	34901-KFA6-900	0	F01
31205-KGN7-670	0	E06	33120-LCD3-E01	0	F01	34903-KPCP-900	0	F01
31210-GFY6-200	7	E06	33130-LCD3-E00	1	F01	34903-KPCP-900	0	F18
31210-GFY6-20C	4	E06	33400-LCD3-E00	3	F17	34908-KAM1-67A	0	F02
31500-LEJ8-E00	4	F11	33450-LCD3-E00	2	F17	34908-LAB4-900	1	F02
31500-LEJ8-E0B	3	F11	33700-LCD3-E00	1	F18	34909-KEBE-900	0	F02
31600-KAM1-009	1	F19	33706-KHB4-E01	0	F18			
31601-LBA2-E00	2	F19	33707-LCD3-E00	0	F18	<b>35000</b>		
<b>32000</b>			33708-LCD3-E00	0	F18			
			33709-KBAB-003	0	F18	35101-LCD3-325-M2	0	F19
			33709-LCD3-E00	0	F18	35102-LCD3-E0B	0	F19
32100-LEJ8-E00	6	F19	33710-LCD3-E00	0	F18	35104-LBC6-90A	0	F19
32101-GFY6-901	1	F04	33711-LCD3-E00	0	F18	35151-KGBG-910	1	F03
32106-KKE3-900	3	E06	33720-KHB4-E00	4	F18	35152-KGBG-900	2	F03
32108-GAR1-711	1	F19	33722-KHB4-E00	0	F18	3515A-KGBG-E00	3	F03
32120-3C83-831	0	F19	33725-KHB4-E00	0	F18	35201-KGBG-910	1	F03
32410-KUDU-900	2	E06	33726-KHB4-E00	0	F18	35202-KGBG-900	3	F03
32411-LCD3-E00	3	F19	33741-GFY6-C30	1	F18	3520A-LCD3-E00	1	F03
32412-LCD3-E00	3	E04	33741-KHC5-M00	0	F18	35340-KNBN-901	0	F04

## PART NO. INDEX

PART NO.	VERSION	PAGE	PART NO.	VERSION	PAGE	PART NO.	VERSION	PAGE
35350-KNBN-901	0	F04				42601-LEJ8-E00	1	F08
35380-KKE3-900	2	F19	<b>39000</b>			42710-LCD3-E0A	2	F08
35850-KHB4-90A	2	F19				42753-KNBN-90B	1	F07
35850-KHB4-90B	3	F19	3920A-LEJ8-800	1	F19	42753-KNBN-90B	1	F08
<b>37000</b>			39300-KKE3-800	3	E02	<b>43000</b>		
			39301-KKE3-910	3	E02			
			39302-KKE3-900	2	E02			
37200-LEJ8-E01	0	F02	39303-KKE3-900	1	E02	43100-LEJ8-E00	1	F08
37211-LCD3-E01	0	F02	39400-KKE3-800	2	E02	43105-LDH1-305	0	F08
37213-LCD3-E00	0	F02	39450-LEA6-800	3	F14	43109-GBN2-007	0	F08
37305-KEE5-009	0	F02	39500-KKE3-800	4	E02	43126-LEJ8-E00	2	F04
37801-LAB4-910	1	F10	39600-KKE3-800	1	F10	43156-KKC4-900	2	F16
3780A-LEJ8-E00	2	F10	39601-KKE3-900	0	F10	43352-5H68-004	3	F07
<b>38000</b>			39602-KKE3-900	0	F10	43352-KKD6-E90	1	F08
			39701-KKE3-800	0	E09	43353-4A61-77A	0	F07
			39702-LEJ8-E00	2	E09	43353-4A61-77A	0	F08
38110-KHB4-E0A	0	F19	39703-KKE3-900	2	E09	43530-KGB5-306	2	F04
38110-KHB4-E0B	2	F19	39704-KKE3-900	4	E09	<b>44000</b>		
38300-LBG7-900	2	F19	39705-KKE3-900	2	E09			
38500-LGL3-90D	2	F19	39706-KKE3-900	1	E09			
38506-KHD8-900	0	F19	3970A-KKE3-800	3	E09	44301-KXCX-900	4	F07
3860A-LEJ8-E00	1	F19	<b>42000</b>			44311-KHB4-900	0	F07
38773-PKB9-001	0	F21				44600-LCD3-305	2	F07
			42311-KHB4-900	2	F08	44620-KFLF-930	1	F07
			42312-KHB4-900	0	F08	44680-4L10-001	0	F07
						44710-LCD3-E0A	2	F07

## PART NO. INDEX

PART NO.	VERSION	PAGE	PART NO.	VERSION	PAGE	PART NO.	VERSION	PAGE
44800-KFA6-900	3	F07	45517-KFAF-910	0	F04	50710-LCD3-E00	3	F20
44830-LCD3-E00	4	F02	45520-KCCC-900	0	F04	50711-LCD3-E00	2	F20
44831-LCD3-E00	0	F02	45521-KCCC-900	0	F04	50712-LEJ8-E00	3	F20
<b>45000</b>			45530-KEB7-306	0	F04	50713-LCD3-E00	3	F20
			45531-GAR1-951	0	F08	50714-LDH1-E00	0	F20
			<b>50000</b>			50715-KEB7-900	0	F20
						50715-LDH1-E00	0	F20
45105-KFA6-305	0	F07			50720-LCD3-E00	3	F20	
45107-KFA6-900	0	F07			50721-LCD3-E00	2	F20	
45107-MEN5-007	0	F08	50100-LEJ8-E00	7	F20	50722-LEJ8-E00	3	F20
45108-KFA6-900	2	F07	50153-KKE3-900	2	F19	50723-LCD3-E00	3	F20
45108-LDH1-E00	0	F08	50154-KKE3-900	2	F19			
45109-KFA6-900	0	F07	50301-KGN7-671	2	F20	<b>51000</b>		
45121-LCD3-E00	2	F07	50302-2H68-011	2	F20			
45126-LCD3-E00	5	F04	50306-1F96-001	0	F06			
45131-LDH1-E00	0	F08	50326-LCD3-E00	2	F12		51400-LCD3-E00	5
45132-KFA6-900	0	F07	50350-KHB4-901	1	F20	51401-LCD3-E00	0	F22
45132-LDH1-E00	0	F08	50352-GFY6-901	0	F20	51404-LCD3-E00	0	F22
45133-KFA6-900	0	F07	50353-GBG2-711	1	F20	51408-LCD3-E00	1	F06
45200-LCD3-E00	4	F07	50502-GFY6-901	3	F15	51409-LCD3-E00	3	F06
45209-GBE2-007	0	F08	50505-LAD9-900	3	F15	51410-LCD3-E00	0	F22
45209-KFA6-900	0	F07	5050A-LCD3-E00	8	F15	51412-LCD3-E00	0	F22
45210-LCD3-305	0	F07	50530-LCD3-E00	2	F15	51420-LCD3-E00	0	F22
45210-LDF2-E00	0	F08	50531-KEB7-E00	1	F15	51422-LCD3-E00	0	F22
45351-LLJ3-E00	3	F08	50535-KEB7-E00	3	F15	51427-LCD3-E00	0	F22
45513-KCCC-900	0	F04	50550-KKC2-E00	0	F15	51428-KKAK-900	0	F22
45517-KFAF-900	0	F04	50613-LCD3-E00	5	F20	51429-LCD3-E00	0	F22

## PART NO. INDEX

PART NO.	VERSION	PAGE	PART NO.	VERSION	PAGE	PART NO.	VERSION	PAGE
51430-LDH1-E00	0	F08	53212-2L50-011	1	F06	64400-LCD3-E00	2	F05
51437-KKAK-900	0	F22	53214-2L50-001	0	F06			
51500-LCD3-E00	5	F06	53215-2L50-001	0	F06	<b>70000</b>		
51520-LCD3-E00	0	F22						
<b>52000</b>			<b>61000</b>			70529-6G57-671	0	E07
			61100-LCD3-E00	2	F06	<b>77000</b>		
52000-LEJ8-E00	3	F16				77105-LCD3-E00	2	F12
52400-LCD3-E00	4	F16	<b>64000</b>			77106-LCD3-E00	2	F12
<b>53000</b>			64212-LCD3-E00	2	F03	77200-LCD3-E00	2	F09
			6421A-LEJ8-E01	5	F03	77202-KHB4-900	1	F12
53100-LCD3-E00	7	F03	6421B-LCD3-E01	1	F03	77206-KGBG-900	0	F09
53102-KEC8-900	0	F03	64222-KKC4-900	3	F03	77235-KGC4-E0B	2	F19
53105-LBB5-E00	2	F03	64301-LCD3-E00	1	F05	77240-LCD3-E00	1	F19
53125-GEN5-901	0	F03	64303-LCD3-E00	2	F05	77303-KGC4-E00	2	F05
53140-KGB5-900	0	F03	64304-LCD3-E00	2	F05	77303-LCD3-E00	2	F09
53166-KGB5-900	0	F03	64305-LCD3-E00	2	F05			
53175-KXBX-E10	3	F04	64306-LCD3-E00	2	F05	<b>80000</b>		
53178-KKBK-E00	0	F04	6430A-LCD3-E00	2	F05			
53200-LCD3-E00	7	F06	64310-LCD3-E00	2	F05	80100-LCD3-E00	2	F18
53204-LCD3-E00	2	F03	64313-LCD3-E00	2	F05	80101-LCD3-E00	4	F18
53205-LCD3-E00	3	F03	64315-LEJ8-E00	3	F20	80103-LCD3-E01	1	F18
53206-LCD3-E00	4	F03	64316-LCD3-E00	1	F05	80105-LCD3-E00	3	F18
53207-LCD3-E00	2	F03	64317-LCD3-E00	1	F05			
53211-GFY6-940	1	F06	64330-LCD3-E00	3	F05			



## PART NO. INDEX

PART NO.	VERSION	PAGE	PART NO.	VERSION	PAGE	PART NO.	VERSION	PAGE
<b>81000</b>			<b>83000</b>			<b>88000</b>		
81131-LCD3-E01	1	F05	83500-LCD3-E00	1	F12	88110-LBD5-E00	1	F03
81132-LCD3-E00	1	F05	83520-LCD3-E00	1	F12	88120-LBD5-E00	1	F03
81133-KNBN-901	0	F05	83600-LCD3-E00	1	F12			
81134-KFA6-900	0	F05	83620-LCD3-E00	1	F12	<b>89000</b>		
81134-LEJ8-E00	2	F05						
81135-KGBG-900	2	F05	<b>86000</b>			89010-KGBG-900	2	F09
81141-LCD3-E00	1	F05				89020-KKC4-900	1	F09
81142-KFA6-900	0	F05	86102-LCD3-E00	3	F05	<b>90000</b>		
81142-KUDU-900	1	F05	86202-LCD3-E10	3	F24			
81143-LCD3-E00	2	F05	<b>87000</b>					
81144-LCD3-E00	2	F05				90001-GBHB-661	2	E03
81145-LCD3-E00	4	F05				90005-KAW1-901	1	E03
81146-LCD3-E00	1	F05	87140-LEJ8-E00	1	F24	9000A-KTDT-900	1	E01
81147-LCD3-E00	1	F05	87140-LEJ8-E10	1	F24	90012-3C33-001	1	E02
81148-LCD3-E00	1	F05	87505-LCD3-E00	1	F23	90021-GFY6-900	2	F14
81149-LCD3-E00	1	F05	87541-GAR1-E00	1	F23	90032-KEBE-900	0	E01
81200-LCD3-E00	2	F12	87541-KKC2-E00	1	F23	90032-LAB4-900	1	E01
81201-LEJ8-E00	2	F20	87541-KUDU-E00	0	E07	90033-GFY6-900	0	E02
81251-LAB4-900	3	F12	87542-GAR1-E00	2	F23	90105-GGS7-001	0	F12
81260-LEJ8-E00	4	F12	87560-GFY6-E00	3	F23	90105-KCR3-001	1	F07
						90105-KCR3-001	1	F08
						90105-KHB4-900	0	F03
						90105-KHB4-900	0	F12

## PART NO. INDEX

PART NO.	VERSION	PAGE	PART NO.	VERSION	PAGE	PART NO.	VERSION	PAGE
90106-GEN5-901	0	F03	90302-GFY6-901	1	F18	90656-KCBC-900	0	F19
90106-GFY6-901	0	F20	90302-GFY6-940	1	F03	90656-KUDU-900	0	F19
90106-KFC2-900	0	F03	90302-GFY6-940	1	F20	90660-KNBN-921	0	F21
90106-KUDU-900	1	F12	90302-SDA4-004	2	F05	90701-HFB6-011	1	E03
90107-KUDU-900	3	F20	90302-SDA4-004	2	F12	90701-HFB6-011	1	E06
90108-KFA6-E00	1	F15	90304-4H38-001	2	E02			
90110-GLW0-001	0	F05	90304-GHE8-004-SY	0	F03	<b>91000</b>		
90110-LCD1-E00	2	F14	90304-GHE8-004-SY	0	F20			
90111-1G47-001	0	F10	90305-GHK8-001	1	E07	91001-GFY6-90A	2	E05
90114-1F66-007	2	F04	90305-GHK8-001	1	F01	91002-GGA7-70A	0	E05
90114-GDM4-011	2	F13	90305-KFW6-900	1	F08	91003-KDS4-004	1	E08
90116-KED9-900	2	F03	90306-GLW0-90A	1	F07	91009-GLE0-004	1	E08
90121-GFY6-901	1	F20	90312-LCD3-E01	0	F03	91014-LLJ3-E00	1	F06
90122-KEBE-900	2	F07	90403-KUDU-900	0	E06	91015-LLJ3-E00	1	F06
90131-LDB2-E00	2	F08	90426-KNBN-901	0	E05	91051-KFBF-901	1	F16
90145-MKS9-61A	1	F04	90440-1F66-001	0	E07	91101-1K79-711	1	E06
90201-GFY6-901	0	E06	90441-GFY6-941	0	E05	91104-GFY6-90C-B	0	E06
90202-1G87-001	0	E05	90465-MDC4-001	0	E02	91104-GFY6-90C-R	0	E06
90206-0A01-001	2	E02	90474-3C33-001	1	E01	91104-KGN7-671	0	E01
90215-KKC4-900	1	F12	9052A-GFY6-950	3	E01	91202-GFY6-90A	1	E01
90301-6D34-671	1	F05	90544-KEC8-900	0	F22	91202-GFY6-90B	1	E01
90301-6D34-671	1	F10	90545-3L00-001	2	F04	91202-GFY6-90B	1	E04
90301-6D34-671	1	F18	90601-GFY6-901	0	E05	91202-KKJ9-004	0	E01
90301-GFY6-901	2	F14	90605-1F66-721	0	E05	91211-KEBE-900	0	E05
90302-GFY6-901	1	F06	90651-LCD3-E00	0	F22	91251-KKAK-900	0	F22
90302-GFY6-901	1	F10	90652-GFY6-901	1	F13	91252-0L30-00A	0	F07

## PART NO. INDEX

PART NO.	VERSION	PAGE	PART NO.	VERSION	PAGE	PART NO.	VERSION	PAGE
91252-0L30-00B	0	F07	93404-06012-08	0	F18	93903-35220	0	F01
91254-KHD8-900	0	F22	93404-06020-06	1	F05	93903-35320	0	F02
91255-GLE0-006	0	E08	93500-03010-1A	0	E06	93903-35320	0	F19
91258-4L10-00A	1	F07	93500-04014-0G	0	E02	93903-GFY6-900	1	F05
91258-4L10-00B	1	F07	93500-04020-0G	0	F19	93903-GFY6-900	1	F12
91301-GLR0-005	1	E03	93500-05010-0H	0	F10	93903-GFY6-900	1	F18
91302-0A01-021	0	E04	93500-KGBG-900	0	F03	93903-KEB7-900-06	1	F05
91306-1E05-691	0	E03	93600-04012-1G	0	F04			
91307-0E35-001	0	E04	93891-05012-06	0	F12	<b>94000</b>		
91309-4E25-004	0	E06	93891-05016-08	0	E09			
91351-6B42-000	0	E05	93892-04006-08	0	E06	94050-05080	0	F18
91508-KGV7-67A	0	F18	93892-05010-08	0	E09	94050-06060	0	F04
91981-KGN7-670	0	E06	93893-04012-18	0	F04	94050-06060	0	F06
			93901-32020	0	F18	94050-06080	0	E02
<b>92000</b>			93901-32220	0	F18	94050-06080	0	E06
			93903-24260	0	F06	94050-06080	0	E09
92101-05012-0H	0	E07	93903-25260	0	F05	94050-06080	0	F03
92712-06028-0B	2	E02	93903-25260	0	F06	94050-06080	0	F09
92900-06060-0B	0	E02	93903-25460	0	F13	94050-06080	0	F19
			93903-34360	0	E07	94050-06080	0	F20
<b>93000</b>			93903-34360	0	F03	94050-08080	0	E02
			93903-34360	0	F05	94050-08080	0	F19
93401-04025-08	0	F19	93903-34360	0	F12	94050-08080	0	F20
93401-05020-08	0	F19	93903-34360	0	F17	94050-12080	0	E05
93404-06012-06	0	F05	93903-34360	0	F18	94050-12080	0	E07
93404-06012-08	0	F05	93903-34360	0	F20	94101-06200	0	F14

## PART NO. INDEX

PART NO.	VERSION	PAGE	PART NO.	VERSION	PAGE	PART NO.	VERSION	PAGE
94101-06700	0	F14	95002-02080	0	F10	95801-08040-06	0	F06
94101-06800	0	F20	95002-02080	0	F13	95801-08045-06	0	F16
94101-KKE3-900	1	E09	95002-02130	0	F13	95801-10025-08	0	F15
94111-05800	0	E06	95002-40650-08	0	F10	95801-10035-08	0	F16
94111-06800	0	E02	95002-41200-08	0	E09			
94111-06800	0	E09	95002-41250-08	0	F10	<b>96000</b>		
94111-06800	0	F13	95002-KKD6-E05	0	F21			
94111-06800	0	F14	95003-23029-60	0	F13	96001-06008-07	0	F14
94201-16120	0	F20	95012-KED9-900	1	F11	96001-06010-02	0	F14
94301-10160	0	E01	95701-06012-08	0	E04	96001-06012-06	0	F16
94301-10160	0	E02	95701-06012-08	0	F12	96001-06012-08	0	E01
94301-10160	0	E03	95701-06012-08	0	F19	96001-06012-08	0	E04
94301-10160	0	E04	95701-06016-08	0	F19	96001-06012-08	0	E06
94303-04065	0	E06	95701-06016-08	0	F20	96001-06012-08	0	F06
94510-20000	0	E08	95701-06025-00	0	E02	96001-06014-08	0	F10
94520-28000	0	E05	95701-06025-08	0	E02	96001-06016-08	0	E06
94520-40000	0	F16	95701-06028-07	0	F14	96001-06016-08	0	E07
94540-50029	0	E09	95701-06035-08	0	E02	96001-06018-08	0	E02
94591-KFBF-900	2	E02	95701-06040-00	0	E02	96001-06018-08	0	E07
94601-LEJ8-900	1	E03	95701-06045-08	0	F20	96001-06022-06	1	F04
94608-LCD3-E00	0	F22	95701-06050-08	0	E02	96001-06025-08	0	E07
			95701-08012-08	0	E01	96001-06028-08	0	E04
<b>95000</b>			95701-08012-08	0	F19	96001-06028-08	0	E06
			95701-08016-08	0	F20	96001-06028-08	0	E07
95002-02070	0	F10	95701-KHC5-E00	3	F19	96001-06045-08	0	E01
95002-02070	0	F21	95801-08035-08	0	F16	96001-06050-08	0	E01

## PART NO. INDEX

PART NO.	VERSION	PAGE	PART NO.	VERSION	PAGE	PART NO.	VERSION	PAGE
96001-06100-08	0	E02						
96001-06100-08	0	E04						
96001-06110-08	0	E04						
96001-GFY6-900	1	F13						
96100-60020-00	0	E08						
96100-62020-00	0	E01						
96100-63030-00	0	E01						
96120-63010-10	0	F07						
96220-60100	0	E06						
96600-08010-10	1	E06						
96600-LBA2-E00	0	F22						
96600-LCD3-E00	2	E04						
<b>98000</b>								
98056-5771R-00	0	E02						
98200-11000	0	F11						
98200-11500	0	F11						
98200-11500	0	F19						
98200-KKC4-900	0	F19						