

PARTS CATALOGUE



SCOOTERS

BF60AB(GR)

PEOPLE GTi300



Release Date : 1899/12/31
Print Date : 2013/07/25

ABOUT THIS PARTS LIST

- This parts list is compiled all service parts for model BF60AB(GR).
- Any difference between color chart and motorcycle will be revised according to motorcycle.
- The Mark:
 1. Marking "***" must add color code in the end before ordering parts.
 2. Marking "#" are parts with modification, Please find the details from e-Parts system.
- When modification or additions to this parts list are made a revised edition at an appropriate time.

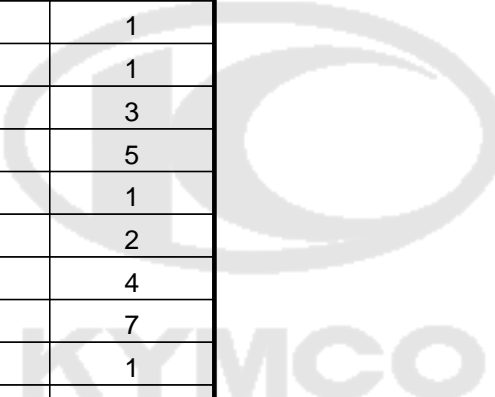


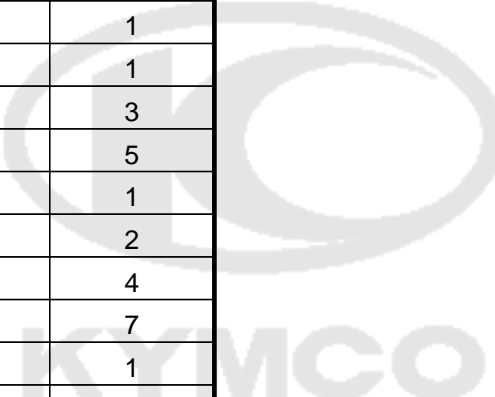
CONTENTS

● ABOUT THIS PARTS LIST	1
● COLOR CHART OF BF60AB(GR)	3
● CONTENTS-ENGINE GROUP	11
● CONTENTS-FRAME GROUP	12
● ENGINE PARTS LIST	15
● FRAME PARTS LIST	45
● PART NO. INDEX	115

NO	MODEL			COLOR CHART OF BF60AB(GR)			
	PHOTO NO			NO. 1	NO. 2	NO. 3	NO. 4
	BASIC COLOR			Black			Bright Silver
	CODE			Black			Bright Silver
	PARTS NAME	PARTS NO.	VERSION	NH001SA	NH001SA	NH045MA	NH045MA
1	FENDER FRONT	61100-LGE5-E00	1	D02		D0C	
2	MUFFLER ASSY EXH	1830A-LGE5-E00	8	D1L			
3	PROTECTOR MUFFLER	18318-LGE5-E00	1				
4	L COVER. COVER COMP	1134A-LGE5-E00	3	D2N			
5	VISOR ASSY METER	6421A-LGE5-E00	3	LJR			
6	M/C SET RR	43530-LGE5-305	0	M3A			
7	M/C SET FR RH	45530-LGE5-305	0				
8	LEVER R STRG HNDL	53175-KFA5-E10	0	N1A			
9	LEVER L STRG HANDLE	53178-KFC8-E10	0				
10	WHEEL RR CAST	42601-LGE5-E00	2	N1P			
11	WHEEL SET FR	44600-LGE5-305	1				
12	COVER FR HANDLE	53205-LGE5-E00	4	N1P		D0B	
13	MATER COVER RR	53207-LGE5-E00	1	N1P			
14	COVER R FR SIDE	64201-LGE5-E00	3				
15	COVER L FR SIDE	64202-LGE5-E00	3	N1P			
16	MIRROR ASSY R/H	88110-LGE5-E00	1				
17	MIRROR ASSY L/H BACK	88120-LGE5-E00	1	N1P			
18	COVER RR HANDLE	53206-LGE5-E00	2				
19	COVER FR	64301-LGE5-E00	2	N8P			
20	SKIRT R SIDE	64305-LGE5-E00	3				
21	SKIRT L SIDE	64306-LGE5-E00	3	N1P			
22	LEG SHIELD UP	81131-LGE5-E00	2				
23	LID LEG SHIELD	81132-LGE5-E00	3	N1P			
24	COVER R BODY	83500-LGE5-E00	3				
25	COVER L BODY	83600-LGE5-E00	3	N1P			
DATE OF STARTING-SALES							
DATE OF END-SALES							

NO	MODEL			COLOR CHART OF BF60AB(GR)			
	PHOTO NO			NO. 5	NO. 6	NO. 7	NO. 8
	BASIC COLOR			Pearly White		Deep Golden	
	CODE			Pearly White		Deep Golden	
	PARTS NAME	PARTS NO.	VERSION	NH193PA	NH193PA	YR380MA	YR380MA
1	FENDER FRONT	61100-LGE5-E00	1	D1S		DKE	
2	MUFFLER ASSY EXH	1830A-LGE5-E00	8	D1L			
3	PROTECTOR MUFFLER	18318-LGE5-E00	1				
4	L COVER. COVER COMP	1134A-LGE5-E00	3	D2N			
5	VISOR ASSY METER	6421A-LGE5-E00	3	LJR			
6	M/C SET RR	43530-LGE5-305	0	M3A			
7	M/C SET FR RH	45530-LGE5-305	0				
8	LEVER R STRG HNDL	53175-KFA5-E10	0				
9	LEVER L STRG HANDLE	53178-KFC8-E10	0	N1A			
10	WHEEL RR CAST	42601-LGE5-E00	2				
11	WHEEL SET FR	44600-LGE5-305	1	D1H			
12	COVER FR HANDLE	53205-LGE5-E00	4				
13	MATER COVER RR	53207-LGE5-E00	1	DKH			
14	COVER R FR SIDE	64201-LGE5-E00	3				
15	COVER L FR SIDE	64202-LGE5-E00	3				
16	MIRROR ASSY R/H	88110-LGE5-E00	1	N1P			
17	MIRROR ASSY L/H BACK	88120-LGE5-E00	1				
18	COVER RR HANDLE	53206-LGE5-E00	2	NVP			
19	COVER FR	64301-LGE5-E00	2				
20	SKIRT R SIDE	64305-LGE5-E00	3				
21	SKIRT L SIDE	64306-LGE5-E00	3				
22	LEG SHIELD UP	81131-LGE5-E00	2				
23	LID LEG SHIELD	81132-LGE5-E00	3				
24	COVER R BODY	83500-LGE5-E00	3				
25	COVER L BODY	83600-LGE5-E00	3				
DATE OF STARTING-SALES							
DATE OF END-SALES							

NO	MODEL			COLOR CHART OF BF60AB(GR)							
	PHOTO NO			NO. 1	NO. 2	NO. 3	NO. 4				
	BASIC COLOR			Black			Bright Silver				
	CODE			Black			Bright Silver				
	PARTS NAME	PARTS NO.	VERSION	NH001SA	NH001SA	NH045MA	NH045MA				
26	COVER RR CENTER	83750-LGE5-E00	2	N1P		N8P					
27	SHROUD RADIATOR	19102-LGE5-E00	2								
28	BATTERY COVER	50326-LGE5-E00	4								
29	BAND BATTERY	50328-LGE5-E00	1								
30	COVER UNDER	50613-LGE5-E00	6								
31	GRIP COMP THROT	53140-LEA7-E00	4								
32	GRIP COMP L HANDLE	53150-LEA6-900	4								
33	COVER VISOR	53208-LGE5-E00	1								
34	FENDER FR INNER	61110-LGE5-E00	1								
35	TOP COVER	64303-LGE5-E00	1								
36	LID RESERVE TANK	64307-LGE5-E00	3								
37	FLOOR PANEL	64310-LGE5-E00	5								
38	PLUG FLOOR	64316-KHE2-900	1					N1R			
39	UNDER COWL	64400-LGE5-E00	2								
40	FENDER RR TIRE	80100-LGE5-E00	4								
41	FENDER RR INNER	80101-LGE5-E00	7								
42	LID MAINT TAIL LIGHT	80103-LGE5-E00	1								
43	COVER LIGHT ASSY	80104-LGE5-E00	3								
44	FENDER RR	80105-LGE5-E00	4								
45	COVER CENTER	80151-LGE5-E00	3								
46	LEG SHIELD LOW	81141-LGE5-E00	3								
47	LID RAD MAINT	81142-LGE5-E00	2								
48	COVER R SIDE	83501-LGE5-E00	5								
49	MOLDING R SIDE	83510-LGE5-E00	4								
50	COVER L SIDE	83601-LGE5-E00	5								
DATE OF STARTING-SALES											
DATE OF END-SALES											

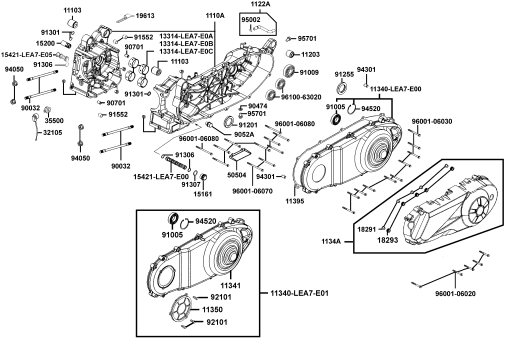
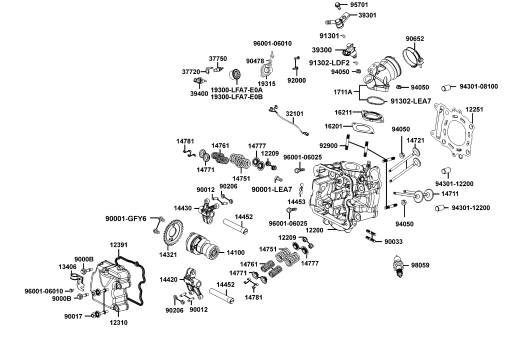
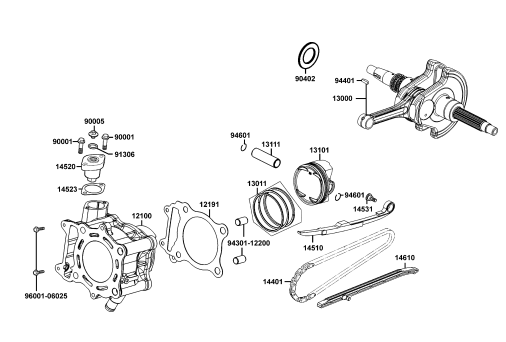
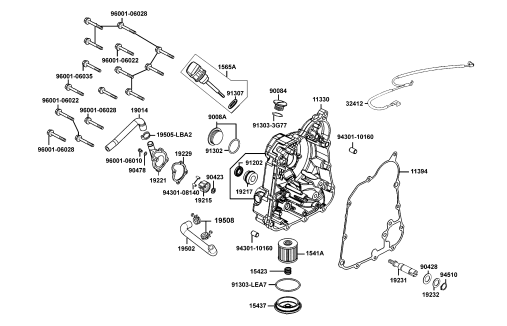
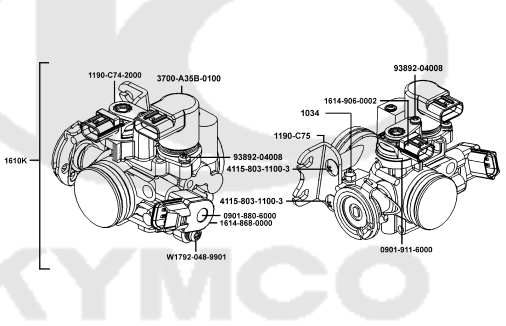
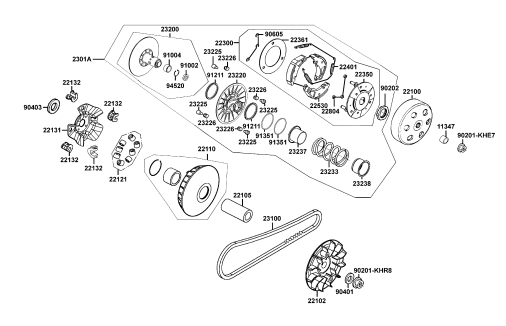
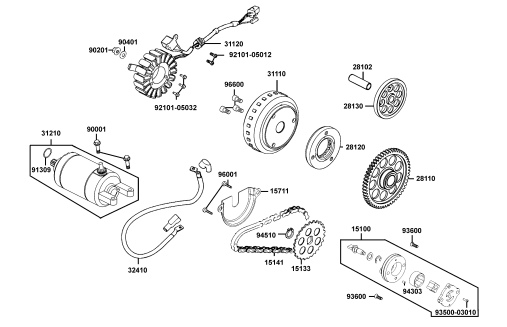
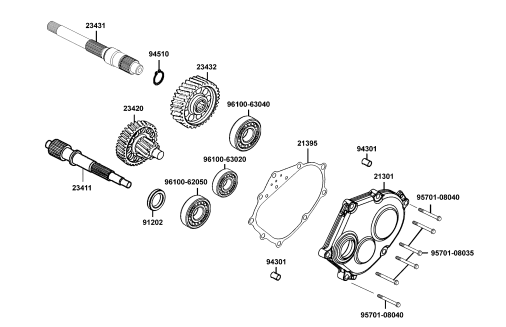
NO	MODEL			COLOR CHART OF BF60AB(GR)			
	PHOTO NO			NO. 5	NO. 6	NO. 7	NO. 8
	BASIC COLOR			Pearly White		Deep Golden	
	CODE			Pearly White		Deep Golden	
	PARTS NAME	PARTS NO.	VERSION	NH193PA	NH193PA	YR380MA	YR380MA
26	COVER RR CENTER	83750-LGE5-E00	2	NVP		X3P	
27	SHROUD RADIATOR	19102-LGE5-E00	2	 N1R			
28	BATTERY COVER	50326-LGE5-E00	4				
29	BAND BATTERY	50328-LGE5-E00	1				
30	COVER UNDER	50613-LGE5-E00	6				
31	GRIP COMP THROT	53140-LEA7-E00	4				
32	GRIP COMP L HANDLE	53150-LEA6-900	4				
33	COVER VISOR	53208-LGE5-E00	1				
34	FENDER FR INNER	61110-LGE5-E00	1				
35	TOP COVER	64303-LGE5-E00	1				
36	LID RESERVE TANK	64307-LGE5-E00	3				
37	FLOOR PANEL	64310-LGE5-E00	5				
38	PLUG FLOOR	64316-KHE2-900	1				
39	UNDER COWL	64400-LGE5-E00	2				
40	FENDER RR TIRE	80100-LGE5-E00	4				
41	FENDER RR INNER	80101-LGE5-E00	7				
42	LID MAINT TAIL LIGHT	80103-LGE5-E00	1				
43	COVER LIGHT ASSY	80104-LGE5-E00	3				
44	FENDER RR	80105-LGE5-E00	4				
45	COVER CENTER	80151-LGE5-E00	3				
46	LEG SHIELD LOW	81141-LGE5-E00	3				
47	LID RAD MAINT	81142-LGE5-E00	2				
48	COVER R SIDE	83501-LGE5-E00	5				
49	MOLDING R SIDE	83510-LGE5-E00	4				
50	COVER L SIDE	83601-LGE5-E00	5				
DATE OF STARTING-SALES							
DATE OF END-SALES							

NO	MODEL			COLOR CHART OF BF60AB(GR)			
	PHOTO NO			NO. 1	NO. 2	NO. 3	NO. 4
	BASIC COLOR			Black			Bright Silver
	CODE			Black			Bright Silver
	PARTS NAME	PARTS NO.	VERSION	NH001SA	NH001SA	NH045MA	NH045MA
51	MOLDING L SIDE	83610-LGE5-E00	4	N1R			
52	CAP MIRROR BRKT	88115-LBA2-E02	1				
53	BAND HARNESS WIRE	90656-KUDU-900	0				
54	CALIPER ASSY. RR	43100-LGE5-E00	2	N8A			
55	C/P ASSY FR BRK RH	45200-LGE5-E00	4				
56	COVER COMP RIGHT	11330-LEA7-305	1	NEA			
57	COVER COMP RIGHT	11330-LEA7-E00	13				
58	COVER. WATER PUMP	19221-LEA7-E00	3				
59	CAP AC GENERATOR	90084-KKF9-901	0				
60	CAP ASSY 30MM	9008A-KBE2-900	0	NEP			
61	TAIL CAP MUFFLER	18306-LGE5-E00	2				
62	PROTECTOR EXHAUST	18325-LGE5-E00	0				
63	CUSHION ASSY. RR	52400-LGE5-E00	6	NES			
64	END HANDLE	53102-LEA5-E00	3				
65	END R STRG HANDLE	53105-LEA5-E00	3				
66	FORK ASSY. FR R	51400-LGE5-E00	5	NYA			
67	BOTTOM CASE R	51420-LGE5-E00	0				
68	FORK ASSY. FR L	51500-LGE5-E00	5				
69	BOTTOM CASE L	51520-LGE5-E00	0				
70	COVER R RR STEP	50712-LGE5-E00	3	NYP			
71	BAR R ASSY RR STEP	5071A-LGE5-E00	7				
72	BAR L ASSY RR STEP	5071B-LGE5-E00	7				
73	COVER L RR STEP	50722-LGE5-E00	3				
74	COVER R CARRIER	81201-LGE5-E00	4				
75	COVER L CARRIER	81202-LGE5-E00	4				
DATE OF STARTING-SALES							
DATE OF END-SALES							

NO	MODEL			COLOR CHART OF BF60AB(GR)			
	PHOTO NO			NO. 5	NO. 6	NO. 7	NO. 8
	BASIC COLOR			Pearly White		Deep Golden	
	CODE			Pearly White		Deep Golden	
	PARTS NAME	PARTS NO.	VERSION	NH193PA	NH193PA	YR380MA	YR380MA
51	MOLDING L SIDE	83610-LGE5-E00	4	N1R			
52	CAP MIRROR BRKT	88115-LBA2-E02	1				
53	BAND HARNESS WIRE	90656-KUDU-900	0				
54	CALIPER ASSY. RR	43100-LGE5-E00	2	N8A			
55	C/P ASSY FR BRK RH	45200-LGE5-E00	4				
56	COVER COMP RIGHT	11330-LEA7-305	1	NEA			
57	COVER COMP RIGHT	11330-LEA7-E00	13				
58	COVER. WATER PUMP	19221-LEA7-E00	3				
59	CAP AC GENERATOR	90084-KKF9-901	0				
60	CAP ASSY 30MM	9008A-KBE2-900	0	NEP			
61	TAIL CAP MUFFLER	18306-LGE5-E00	2				
62	PROTECTOR EXHAUST	18325-LGE5-E00	0				
63	CUSHION ASSY. RR	52400-LGE5-E00	6	NES			
64	END HANDLE	53102-LEA5-E00	3				
65	END R STRG HANDLE	53105-LEA5-E00	3				
66	FORK ASSY. FR R	51400-LGE5-E00	5	NYA			
67	BOTTOM CASE R	51420-LGE5-E00	0				
68	FORK ASSY. FR L	51500-LGE5-E00	5				
69	BOTTOM CASE L	51520-LGE5-E00	0				
70	COVER R RR STEP	50712-LGE5-E00	3	NYP			
71	BAR R ASSY RR STEP	5071A-LGE5-E00	7				
72	BAR L ASSY RR STEP	5071B-LGE5-E00	7				
73	COVER L RR STEP	50722-LGE5-E00	3				
74	COVER R CARRIER	81201-LGE5-E00	4				
75	COVER L CARRIER	81202-LGE5-E00	4				
DATE OF STARTING-SALES							
DATE OF END-SALES							

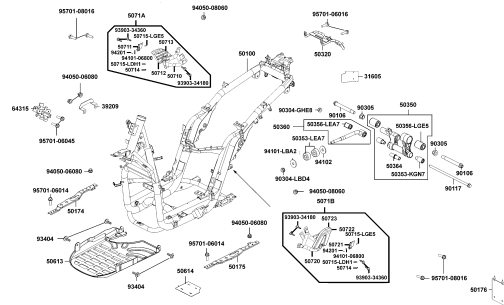
NO	MODEL			COLOR CHART OF BF60AB(GR)							
	PHOTO NO			NO. 1	NO. 2	NO. 3	NO. 4				
	BASIC COLOR			Black			Bright Silver				
	CODE			Black			Bright Silver				
	PARTS NAME	PARTS NO.	VERSION	NH001SA	NH001SA	NH045MA	NH045MA				
76	CARRIER REAR ASSY	8120A-LGE5-E00	3	NYP							
77	GRID R SIDE COVER	83521-LGE5-E00	2								
78	GRID L SIDE COVER	83621-LGE5-E00	2								
79	SEAT. ASSY.	77200-LGE5-E00	5	T01							
80	EMB K-LOGO 30MM	86102-LEA5-E00	1								
81	EMB K-LOGO 20mm	86102-LGE5-E00	1								
82	EMB BODY COVER	86202-LGE5-E00	1								
83	EMB MARK GTI300	87140-LGE5-E00	1								
84	LABEL TIRE	87505-LGE5-E00	1								
85	CAUTION FILTER	87512-KEBE-E00	0								
86	CAUTION SIDE STAND	87541-GAR1-E00	1								
87	CAUTION MOBILE	87541-KKC2-E00	1								
88	MARK MAINT CAUTION	87542-GAR1-E00	2								
89	MARK DRIVE CAUTION	87560-GFY6-E00	3								
90	FORK ASSY, RR	52000-LGE5-E00	9					YYA			
DATE OF STARTING-SALES											
DATE OF END-SALES											

CONTENTS - ENGINE GROUP

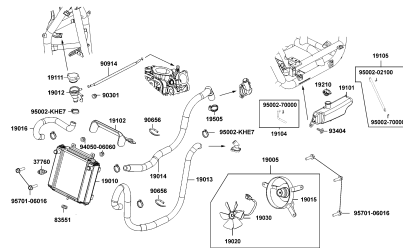
<p>E01 Crank Case</p> 	<p>E02 Cylinder Head Cover Cylinder</p> 	<p>E03 Cylinder Piston Crankshaft</p> 
<p>E04 Right Crankcase Cover Water</p> 	<p>E05 Throttle Body Assy</p> 	<p>E06 Drive Pulley</p> 
<p>E07 Starting Motor Generator</p> 	<p>E08 Shaft Reduction</p> 	

CONTENTS - FRAME GROUP

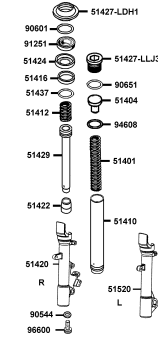
F19 Frame Body



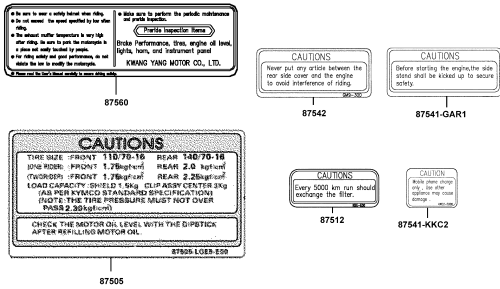
F20 Radiator



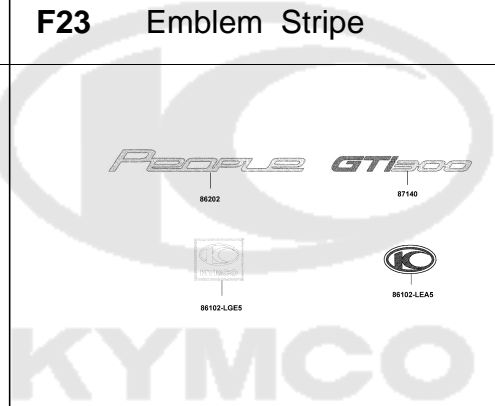
F21 Separated Parts Of Fr Fork



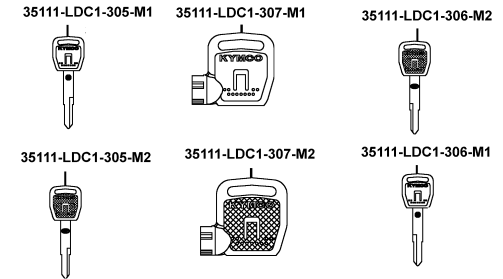
F22 Caution Label



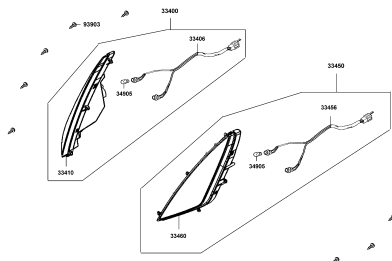
F23 Emblem Stripe



F24 KEY

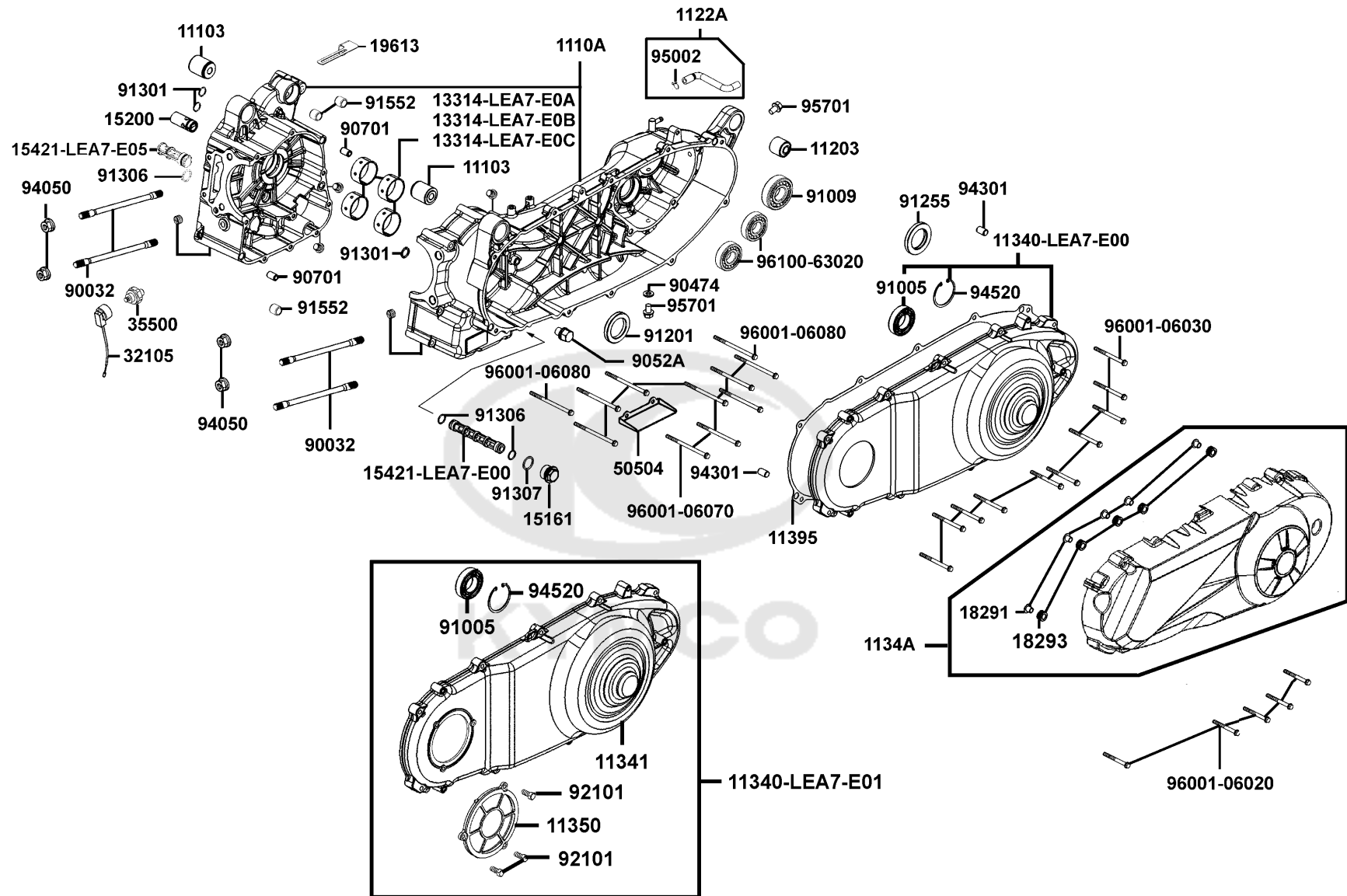


F25 Winker Assy Rh/Lh Fr



E01

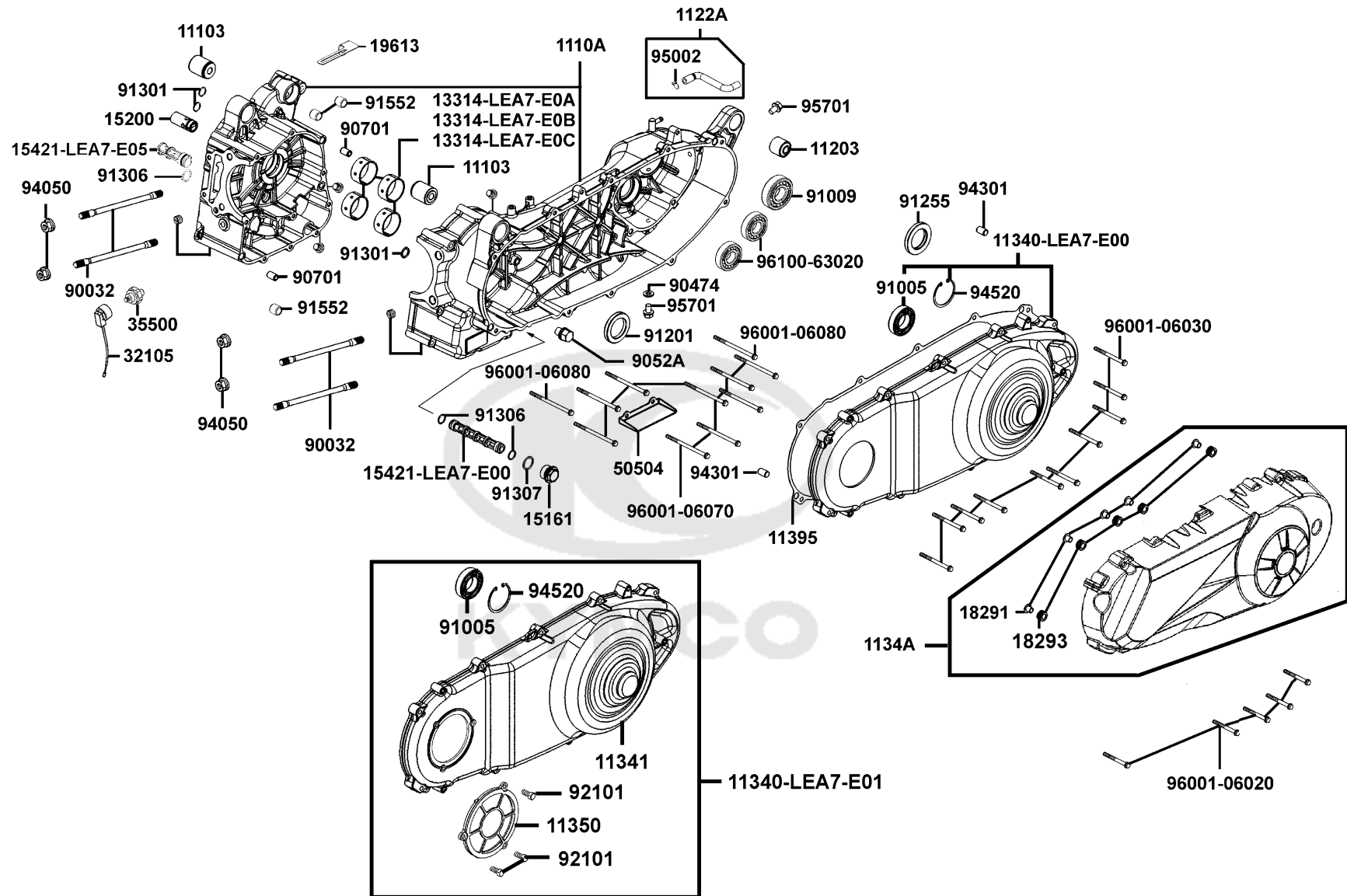
Crank Case



Sales mark	Ref no	Part no	Description	Reg description	Regd no	E01
	11103	11103-KHE7-900	RUB BUSH ENG HANGER	RUB BUSH ENG HANGER	2	
	1110A	1110A-LEA7-E00	CASE R/L ASSY CRANK	CASE R/L ASSY CRANK	1	
	1110A	1110A-LEA7-E05	CASE R/L ASSY CRANK	CASE R/L ASSY CRANK	1	
	11203	11203-LBA2-E00	RUB BUSH L CASE	RUB BUSH L CASE	1	
	1122A	1122A-LEA7-E00	TUBE ASSY BREATHER	TUBE ASSY BREATHER	1	
	11340-LEA7-E00	11340-LEA7-E00	COVER L SIDE	COVER L SIDE	1	
	11340-LEA7-E01	11340-LEA7-E01	COVER COMP.. L. CRANK CASE	COVER COMP.. L. CRANK CASE	1	
	11341	11341-LEA7-E01	COVER L CRANK CASE	COVER L CRANK CASE	1	
**	1134A	1134A-LGE5-E00	L COVER. COVER COMP	L COVER. COVER COMP	1	
	11350	11350-LEA7-E00	ELEMENT COMP..L COVER	ELEMENT COMP..L COVER	1	
	11395	11395-LEA7-E00	GASKET L COVER	GASKET L COVER	1	
	13314-LEA7-E0A	13314-LEA7-E0A	BEARING CRANK SHAFT A RED	BEARING CRANK SHAFT A RED (1.995~1.998)	1	
	13314-LEA7-E0B	13314-LEA7-E0B	BEARING CRANK SHAFT A GREEN	BEARING CRANK SHAFT A GREEN	1	
	13314-LEA7-E0C	13314-LEA7-E0C	BEARING CRANK SHAFT A BLACK	BEARING CRANK SHAFT A BLACK	1	
	15161	15161-PUA5-E00	PLUG SCREW SECTION FILTER	PLUG SCREW SECTION FILTER	1	
	15200	15200-KED9-900	OIL RELIEF VALVE ASSY	OIL RELIEF VALVE ASSY	1	
	15421-LEA7-E00	15421-LEA7-305	SCREEN OIL FILTER	SCREEN OIL FILTER	1	
	15421-LEA7-E00	15421-LEA7-E00	SCREEN OIL FILTER	SCREEN OIL FILTER	1	
	15421-LEA7-E05	15421-LEA7-E05	SCREEN OIL FILTER	SCREEN OIL FILTER	1	
	18291	18291-KKC4-900	COLLAR	COLLAR	5	

E01

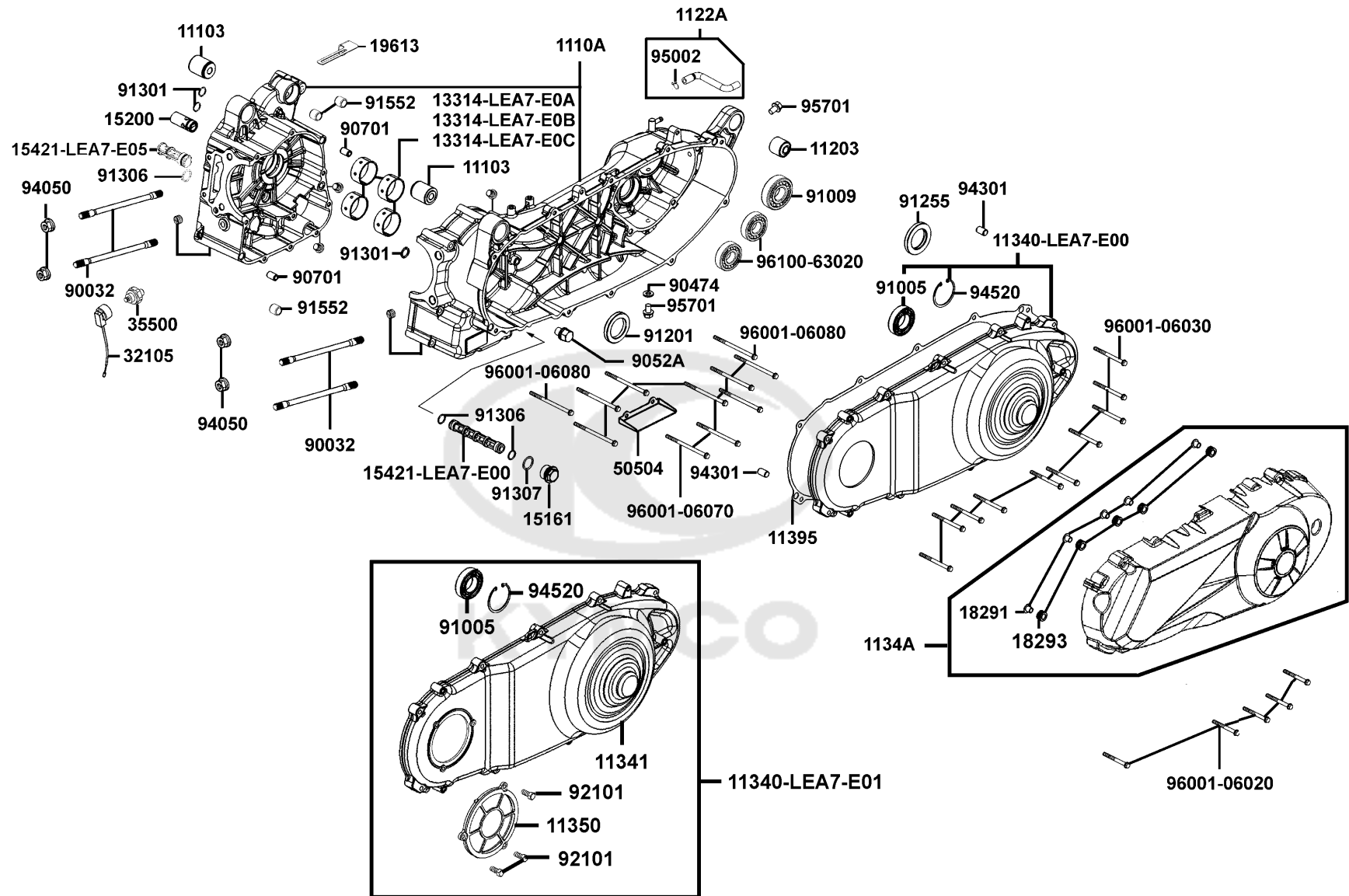
Crank Case



Sales mark	Ref no	Part no	Description	Reg description	Regd no	E01
	18293	18293-KKC4-900	RUBBER	RUBBER	5	
	19613	19613-LEA7-E00	CLAMPER STARTER MOTOR CORD	CLAMPER STARTER MOTOR CORD	1	
	32105	32105-LLJ3-E00	SUB HARNESS	SUB HARNESS	1	
	35500	35500-KED9-900	SW ASSY OIL PRESSURE	SW ASSY OIL PRESSURE	1	
	50504	50504-LGE5-E00	STAY. MAIN STAND COMP.	STAY. MAIN STAND COMP.	1	
	90032	90032-LEA7-E00	BOLT B STUD 10*180	BOLT B STUD 10*180	4	
	90474	90474-3C33-001	WASHER 8MM	WASHER 8MM	1	
	9052A	9052A-LEB1-900	BOLT ASSY DRAIN PLUG	BOLT ASSY DRAIN PLUG	1	
	90701	90701-9E65-001	PIN DOWEL 10*16	PIN DOWEL 10*16	2	
	91005	91005-LBA7-900	BEARING BALL RADIAL 6005LLU	BEARING BALL RADIAL 6005LLU	1	
	91009	91009-KHE7-900	BRG BALL RADIAL 6205LLU	BRG BALL RADIAL 6205LLU	1	
	91201	91201-LEA7-E00	OIL SEAL 35*50*7	OIL SEAL 35*50*7	1	
	91255	91255-KHE7-900	OIL SEAL 34*52*7	OIL SEAL 34*52*7	1	
	91301	91301-2L00-001	O-RING 10*1.6	O-RING 10*1.6	3	
	91306	91306-PUA5-E00	O-RING 13*1.5	O-RING 13*1.5	2	
	91307	91307-PUA5-E00	O-RING 18*2	O-RING 18*2	1	
	91552	91552-LEA7-E00	COLLAR.10.5MM	COLLAR.10.5MM	3	
	92101	92101-05008-0A	BOLT HEX 5*8	BOLT HEX 5*8	3	
	94050	94050-10060	NUT FLANGE 10MM	NUT FLANGE 10MM	4	
	94301	94301-10160	DOWEL PIN 10*16	DOWEL PIN 10*16	2	

E01

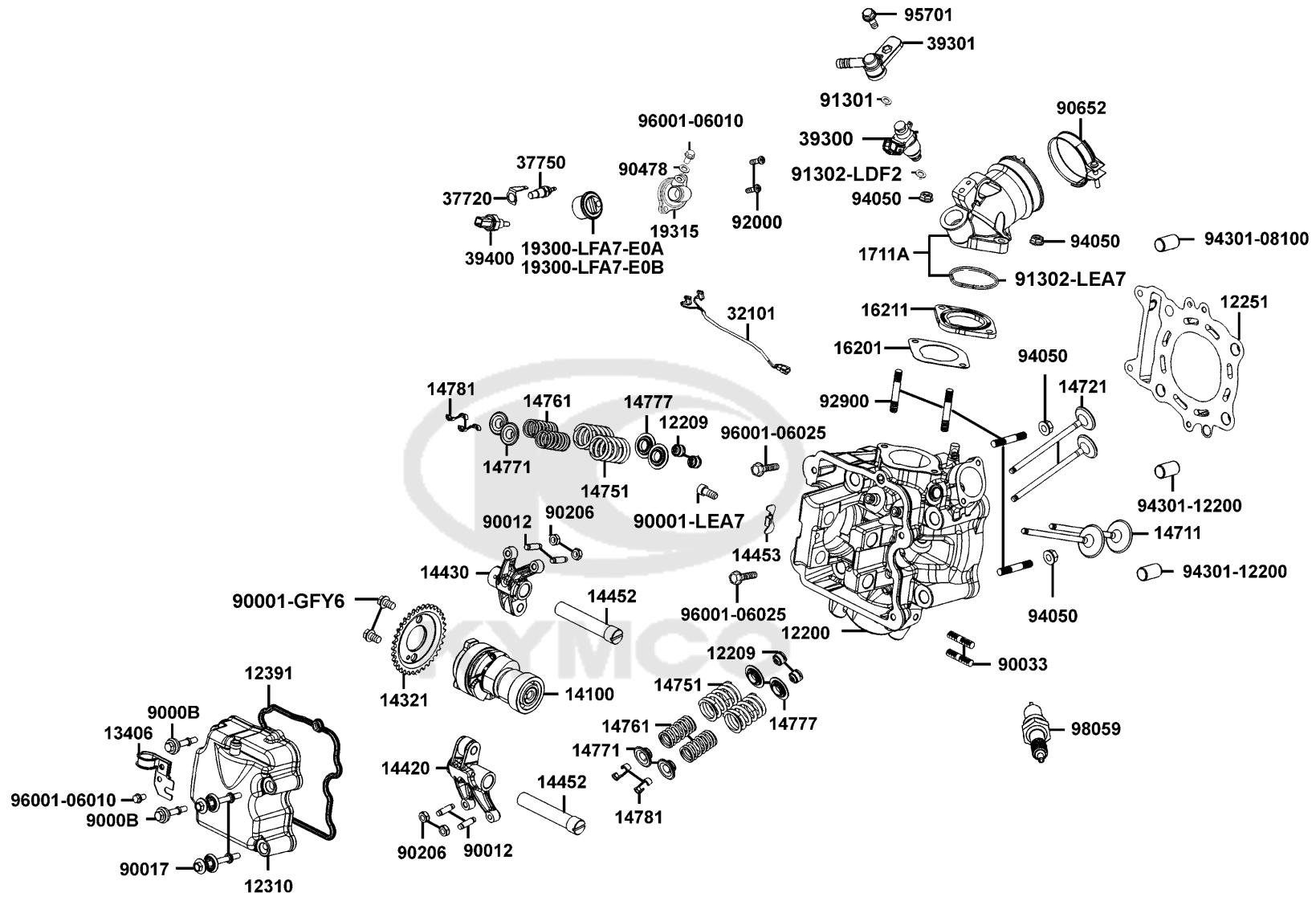
Crank Case



Sales mark	Ref no	Part no	Description	Reg description	Regd no	E01
94520		94520-47000	CIR CLIP IN 47	CIR CLIP IN 47	1	
95002		95002-50000	CLIP C9 TUBE	CLIP C9 TUBE	1	
95701		95701-08012-08	BOLT FLANGE 8X12	BOLT FLANGE 8X12	2	
96001-06020		96001-06020-06	BOLT FLANGE SH 6*20	BOLT FLANGE SH 6*20	5	
96001-06030		96001-06030-08	BOLT FLANGE SH 6*30	BOLT FLANGE SH 6*30	10	
96001-06070		96001-06070-08	BOLT FLANGE SH 6*70	BOLT FLANGE SH 6*70	6	
96001-06080		96001-06080-08	BOLT FLANGE SH 6*80	BOLT FLANGE SH 6*80	2	
96100-63020		96100-63020-00	BRG BALL RADIAL 6302	BRG BALL RADIAL 6302	2	

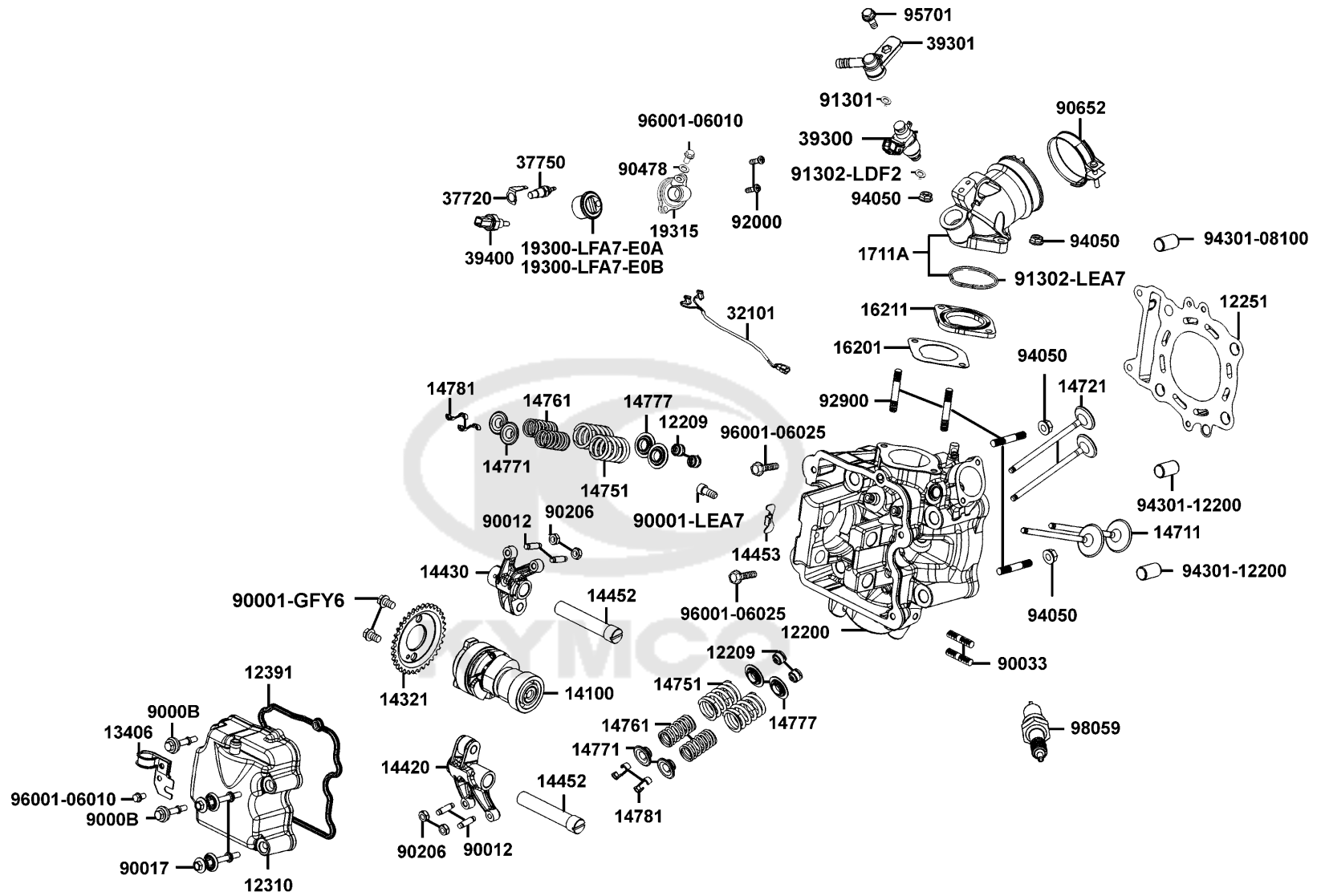


Cylinder Head Cover Cylinder Head



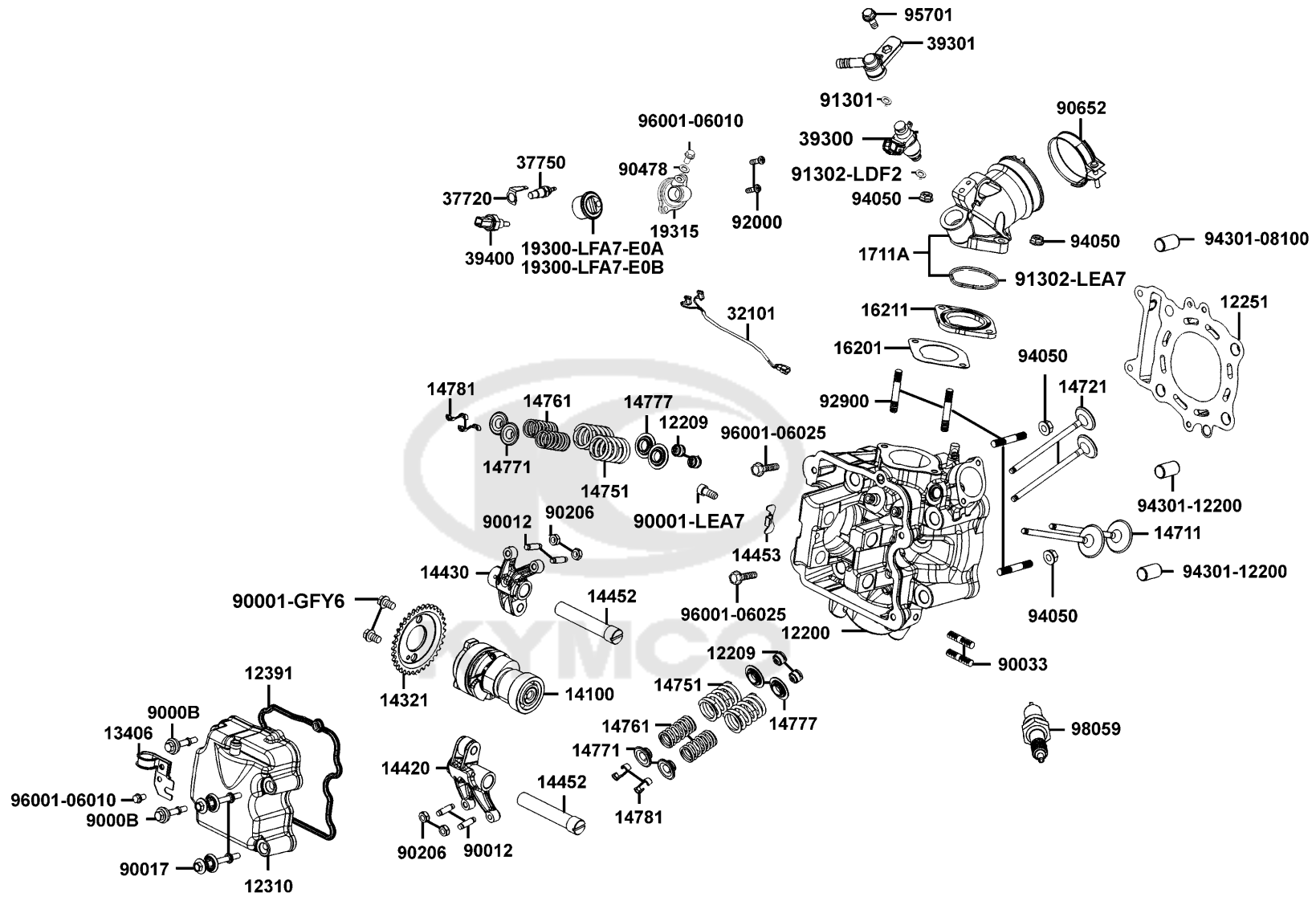
Sales mark	Ref no	Part no	Description	Reg description	Regd no	E02
	12200	12200-LEA7-E00	HEAD COMP.?CYL N	HEAD COMP.?CYL N	1	
	12209	12209-GDB4-68A	SEAL VALVE STEM	SEAL VALVE STEM	4	
	12251	12251-LEA7-E00	GASKET CLINDER HEAD	GASKET CLINDER HEAD	1	
	12310	12310-LEA7-E00	COVER COMP. CYL N HEAD	COVER COMP. CYL N HEAD	1	
	12391	12391-LEA7-E00	GASKET HEAD COVER	GASKET HEAD COVER	1	
	13406	13406-LGE5-E00	PLATE FUEL INJECTOR	PLATE FUEL INJECTOR	1	
	14100	14100-LEA7-E00	SHAFT COMP CAM	SHAFT COMP CAM	1	
	14321	14321-LEA7-E00	SPROCKET CAMSHAFT	SPROCKET CAMSHAFT	1	
	14420	14420-LEA7-E00	ARM COMP EXH VALVE ROCKER	ARM COMP EXH VALVE ROCKER	1	
	14430	14430-LEA7-E00	ARM COMP IN VALVE ROCKER	ARM COMP IN VALVE ROCKER	1	
	14452	14452-LEA7-E00	SHAFT EX ROCKER ARM	SHAFT EX ROCKER ARM	2	
	14453	14453-LEA7-E00	SET PLATE ROCKER ARM SHAFT	SET PLATE ROCKER ARM SHAFT	1	
	14711	14711-LEA7-E00	VALVA INLET	VALVA INLET	2	
	14721	14721-LEA7-E00	VALVE EXHAUST	VALVE EXHAUST	2	
	14751	14751-LEA7-E00	SPRING VALVE OUTER	SPRING VALVE OUTER	4	
	14761	14761-LEA7-E00	SPRING VALVE INNER	SPRING VALVE INNER	4	
	14771	14771-GDB4-680	RETAINER VALVE SPRING	RETAINER VALVE SPRING	4	
	14777	14777-LBA2-E00	SEAT VALVE SPG	SEAT VALVE SPG	4	
	14781	14781-MFA6-001	COTTER VALVE	COTTER VALVE	8	
	16201	16201-LEA7-E00	GASKET CARB INSULATOR @A	GASKET CARB INSULATOR @A	1	

Cylinder Head Cover Cylinder Head



Sales mark	Ref no	Part no	Description	Reg description	Regd no	E02
16211		16211-LEA7-E00	INSULATOR CARB	INSULATOR CARB	1	
1711A		1711A-LEA7-E00	PIPE ASSY INLET	PIPE ASSY INLET	1	
19300-LFA7-E0A		19300-LFA7-E0A	THERNOSTAT ASSY	THERNOSTAT ASSY	1	
19300-LFA7-E0B		19300-LFA7-E0B	THERMOSTAT ASSY.	THERMOSTAT ASSY.	1	
19315		19315-LFA7-E00	COVER COMP THERMOSTAT	COVER COMP THERMOSTAT	1	
32101		32101-LEA7-E00	SUB HARNESS THERMO UNIT	SUB HARNESS THERMO UNIT	1	
37720		37720-KGB5-900	EARTH TERMINAL THERMO	EARTH TERMINAL THERMO	1	
37750		37750-PAC1-005	THERMO UNIT ASSY	THERMO UNIT ASSY	1	
39300		39300-LDF2-800	INJECTOR UNIT FUEL	INJECTOR UNIT FUEL	1	
39301		39301-LDF2-900	CUP COMP FUEL INJECTOR	CUP COMP FUEL INJECTOR	1	
39400		39400-LDF2-800	WATER TEMP SENSOR	WATER TEMP SENSOR	1	
90001-GFY6		90001-GFY6-901	SOCKET BOLT 6*10	SOCKET BOLT 6*10	2	
90001-LEA7		90001-LEA7-E00	SOCKET BOLT 6*14 (G)+??	SOCKET BOLT 6*14 (G)+??	1	
9000B		9000B-KHD6-900	BOLT ASSY SPECIAL 6*41.5	BOLT ASSY SPECIAL 6*41.5	2	
90012		90012-3C33-001	SCREW TAPPET ADJUSTING	SCREW TAPPET ADJUSTING	4	
90017		90017-KKE5-E00	BOLT ASSY HEAD COVER	BOLT ASSY HEAD COVER	2	
90033		90033-KGB4-C00	BOLT STUD 8*40	BOLT STUD 8*40	2	
90206		90206-0A01-001	NUT TAPPET ADJG	NUT TAPPET ADJG	4	
90478		90478-7L00-001	WASHER A 6MM	WASHER A 6MM	1	
90652		90652-LDG7-900	C-HOPE 10-59	C-HOPE 10-59	1	

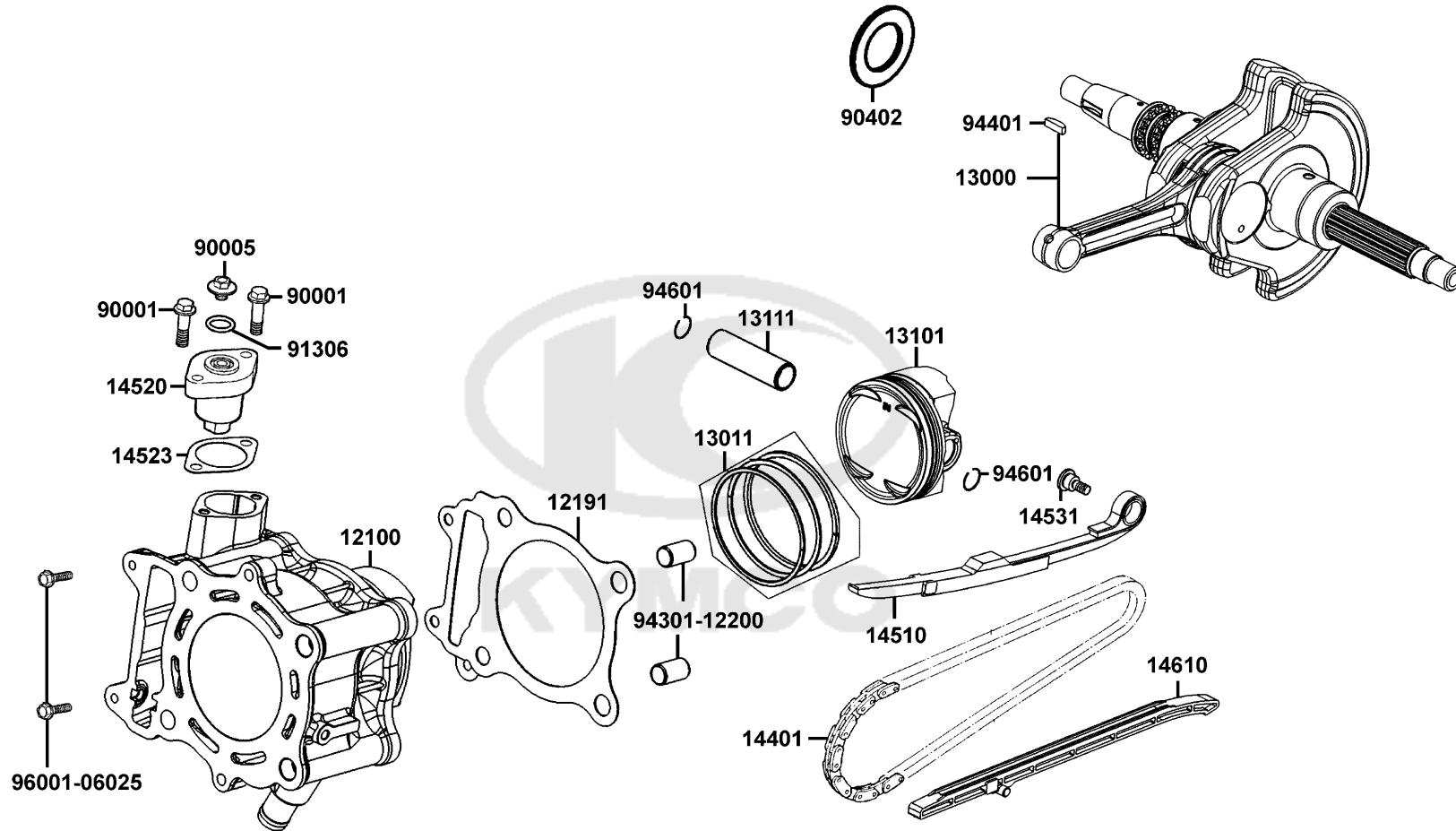
Cylinder Head Cover Cylinder Head



Sales mark	Ref no	Part no	Description	Reg description	Regd no	E02
91301		91301-LDF2-800	O-RING 7.47*3.6	O-RING 7.47*3.6	1	
91302-LDF2		91302-LDF2-800	SEAL RING	SEAL RING	1	
91302-LEA7		91302-LEA7-E00	O-RING	O-RING	1	
92000		92000-05016-0H	BOLT HEX 5*16	BOLT HEX 5*16	2	
92900		92900-06040-0E	BOLT STUD 6*40	BOLT STUD 6*40	4	
94050		94050-06080	NUT FLANGE 6MM	NUT FLANGE 6MM	4	
94301-08100		94301-08100	DOWEL PIN 8*10	DOWEL PIN 8*10	1	
94301-12200		94301-12200	DOWEL SLEEVE 12X20	DOWEL SLEEVE 12X20	2	
95701		95701-06016-08	BOLT FLANGER 6*12	BOLT FLANGER 6*12	1	
96001-06010		96001-06010-06	BOLT FLANGE SH 6*10	BOLT FLANGE SH 6*10	2	
96001-06025		96001-06025-06	BOLT FLANGE SH 6*25	BOLT FLANGE SH 6*25	2	
98059		98059-57916-00	SPARK PLUG CR7E	SPARK PLUG CR7E	1	

E03

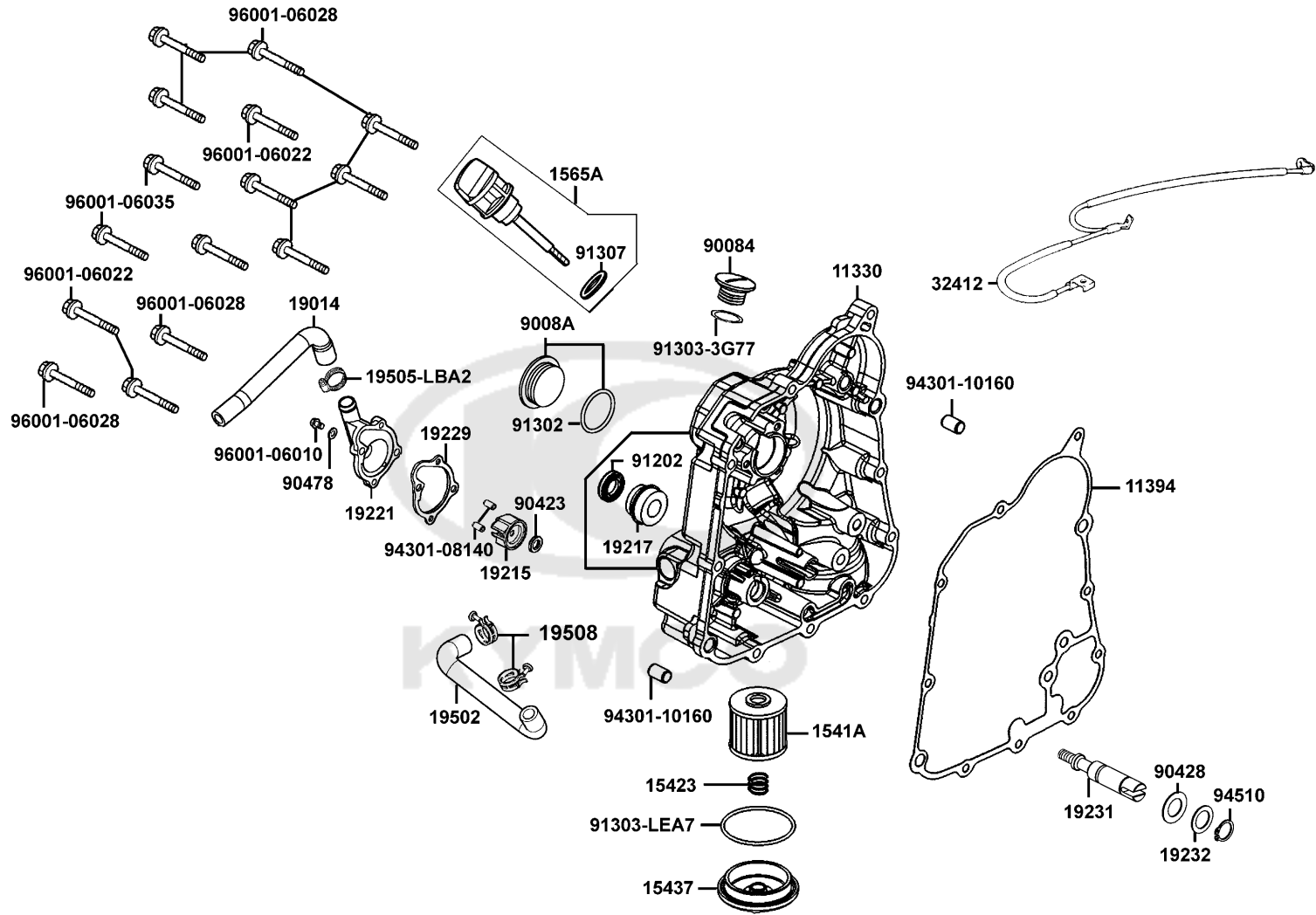
Cylinder Piston Crankshaft



Sales mark	Ref no	Part no	Description	Reg description	Regd no	E03
	12100	12100-LEA7-E00	CYLINDER COMP.	CYLINDER COMP.	1	
	12191	12191-LEA7-E00	GASKET CYLINDER	GASKET CYLINDER	1	
	13000	13000-LEA7-E00	CRANK SHAFT COMP	CRANK SHAFT COMP	1	
	13011	13011-LEA7-E00	RING SET PISTON	RING SET PISTON	1	
	13101	13101-LEA7-E00	PISTON	PISTON	1	
	13111	13111-LEA7-E00	PIN PISTON	PIN PISTON	1	
	14401	14401-PWB1-900	CHAIN CAM	CHAIN CAM	1	
	14510	14510-LEA7-E00	TENSIONER CAM CHAIN	TENSIONER CAM CHAIN	1	
	14520	14520-KED9-900	LIFTER ASSY TENSIONER	LIFTER ASSY TENSIONER	1	
	14523	14523-GFY6-901	GASKET TENSIONER LIFTER @A	GASKET TENSIONER LIFTER @A	1	
	14531	14531-KHE7-900	PIVOT CAM CHAIN TENSIONER	PIVOT CAM CHAIN TENSIONER	1	
	14610	14610-LEA7-E00	GUIDE COMP CAM CHAIN	GUIDE COMP CAM CHAIN	1	
	90001	90001-GBHB-661	BOLT FLANGE SH 6*22	BOLT FLANGE SH 6*22	2	
	90005	90005-KEC8-900	BOLT SPECIAL 6*6	BOLT SPECIAL 6*6	1	
	90402	90402-LEA7-E00	THRUST WASHER 36X60X3	THRUST WASHER 36X60X3	1	
	91306	91306-1E05-691	O-RING 1.5*9.5	O-RING 1.5*9.5	1	
	94301	94301-12200	DOWEL SLEEVE 12X20	DOWEL SLEEVE 12X20	2	
	94401	94401-25140	WOODRUFF KET 25*14	WOODRUFF KET 25*14	1	
	94601	94601-17000	CLIP PISTON PIN 17MM	CLIP PISTON PIN 17MM	2	
	96001	96001-06025-06	BOLT FLANGE SH 6*25	BOLT FLANGE SH 6*25	2	

E04

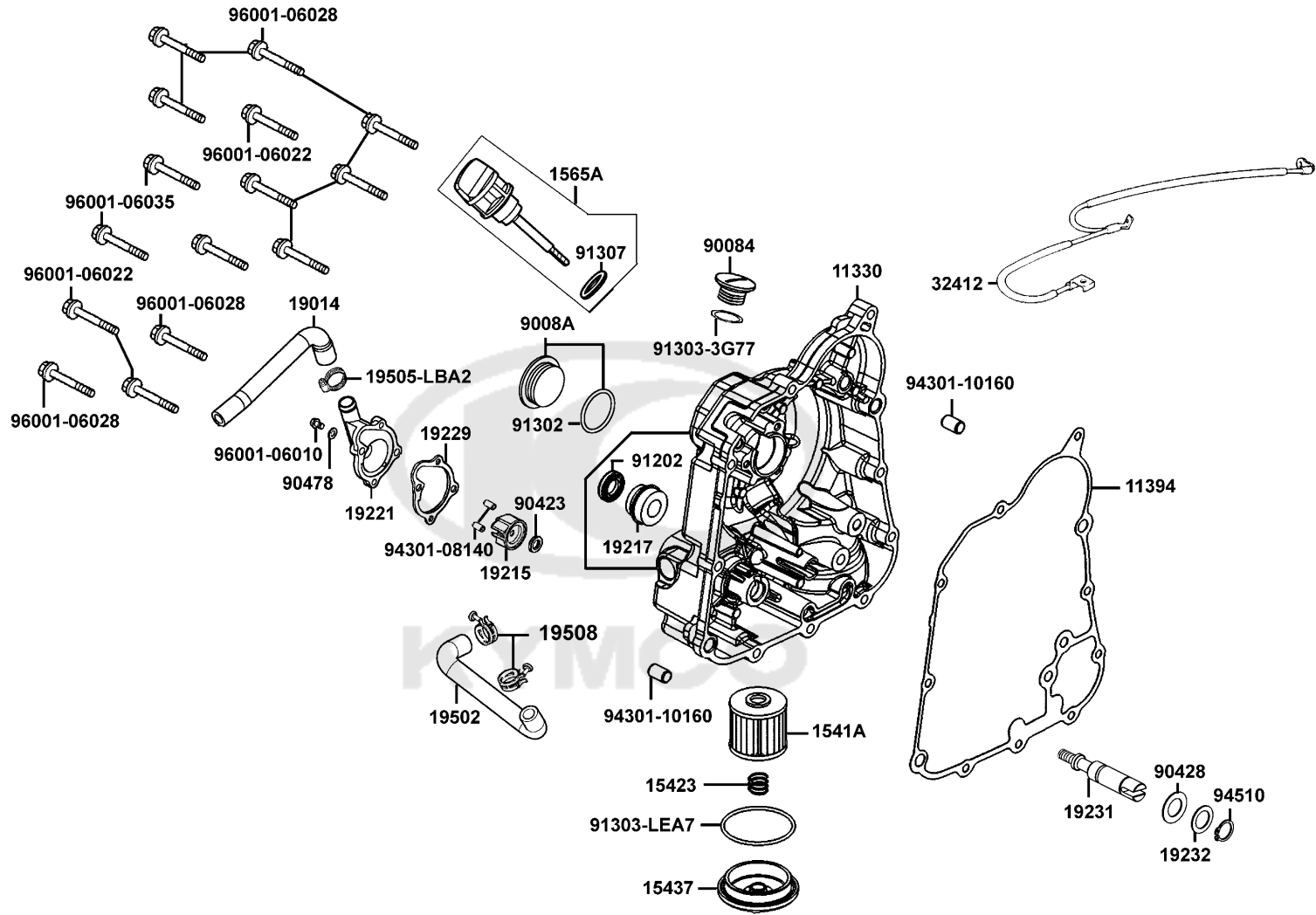
Right Crankcase Cover Water Pump



Sales mark	Ref no	Part no	Description	Reg description	Regd no	E04
**	11330	11330-LEA7-305	COVER COMP RIGHT CRANK CASE	COVER COMP RIGHT CRANK CASE	1	
**	11330	11330-LEA7-E00	COVER COMP RIGHT CRANK CASE	COVER COMP RIGHT CRANK CASE	1	
	11394	11394-LEA7-305	GASKET,R. COVER	GASKET,R. COVER	1	
	11394	11394-LEA7-E00	GASKET,R. COVER	GASKET,R. COVER	1	
	1541A	1541A-LEA7-E00	ELEMENT ASSY., OIL FILTER	ELEMENT ASSY., OIL FILTER	1	
	15423	15423-KKC3-900	SPRING CAP OIL	SPRING CAP OIL	1	
	15437	15437-LEA7-E00	CAP OIL FILTER	CAP OIL FILTER	1	
	1565A	1565A-LGF9-E00	GUIDE OIL LEVEL ASSY	GUIDE OIL LEVEL ASSY	1	
	19014	19014-LGE5-E00	HOSE,WATER OUTLET	HOSE,WATER OUTLET	1	
	19215	19215-LEA7-E00	IMPELLER WATER PUMP	IMPELLER WATER PUMP	1	
	19217	19217-6G57-024	SEAL MECHANICAL	SEAL MECHANICAL	1	
**	19221	19221-LEA7-E00	COVER. WATER PUMP	COVER. WATER PUMP	1	
	19229	19229-LEA7-E00	GASKET WATER PUMP	GASKET WATER PUMP	1	
	19231	19231-LEA7-E00	SHAFT WATER PUMP	SHAFT WATER PUMP	1	
	19232	19232-LBA2-E00	WASHER 21*13.8*1.5	WASHER 21*13.8*1.5	1	
	19502	19502-LEA7-E00	HOSE B WATER	HOSE B WATER	1	
	19505-LBA2	19505-LBA2-E00	CLAMP WATER HOSE	CLAMP WATER HOSE	1	
	19508	19508-LBA2-E00	CLAMP D23	CLAMP D23	2	
	32412	32412-LGE5-E00	CABLE EARTH	CABLE EARTH	1	
**	90084	90084-KKF9-901	CAP AC GENERATOR	CAP AC GENERATOR	1	

E04

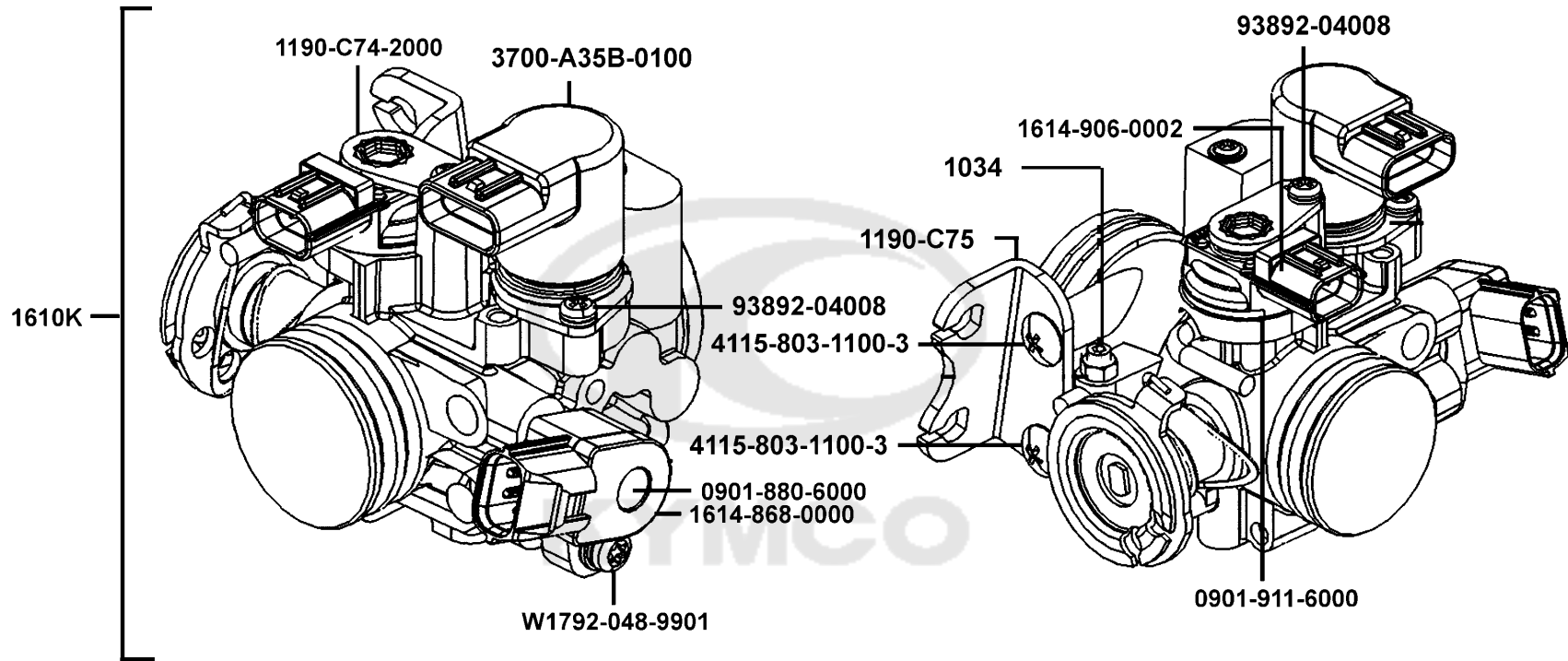
Right Crankcase Cover Water Pump



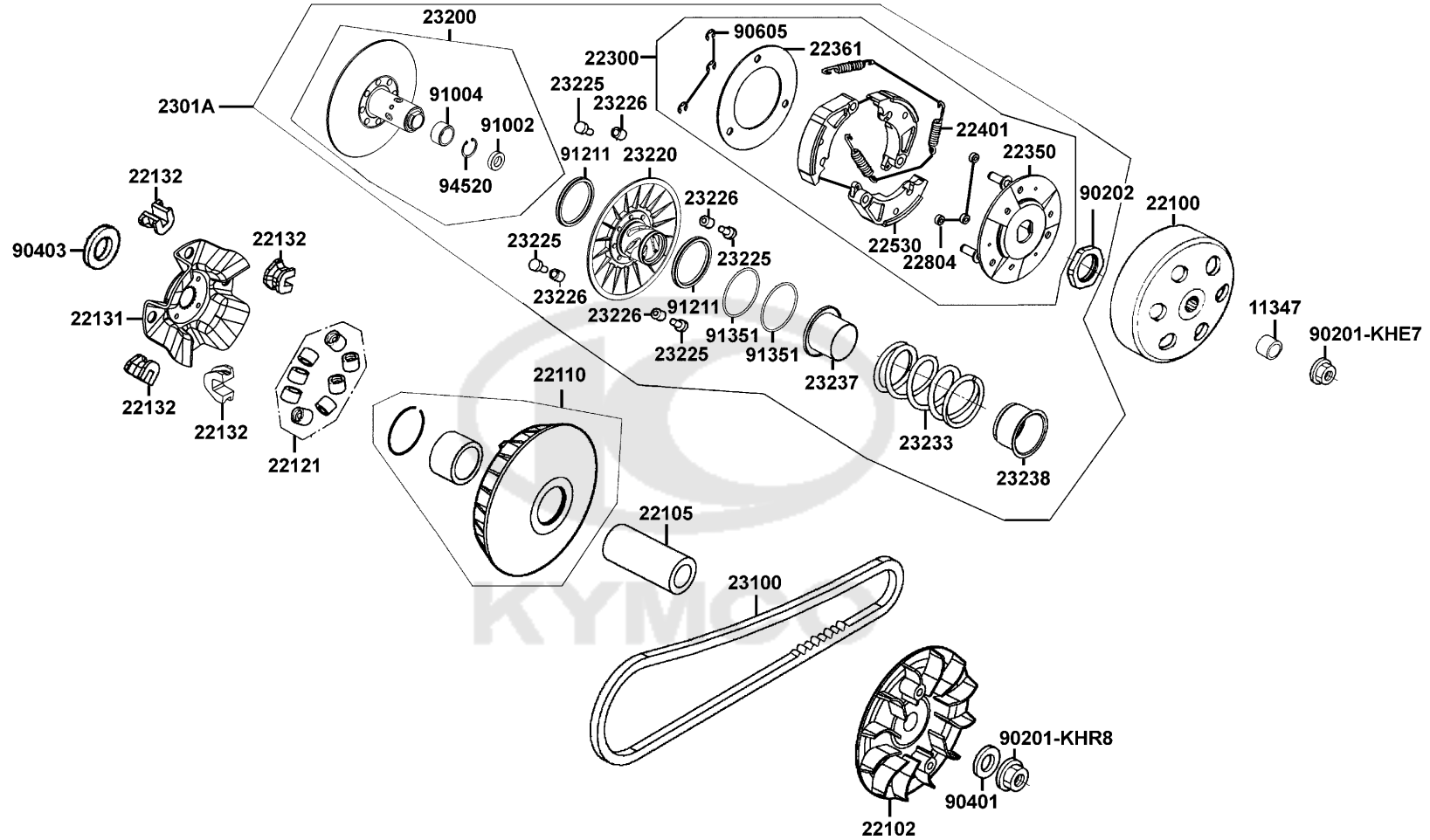
Sales mark	Ref no	Part no	Description	Reg description	Regd no	E04
**	9008A	9008A-KBE2-900	CAP ASSY 30MM	CAP ASSY 30MM	1	
	90423	90423-KKJ9-001	WASHER 7.2*13*1.2	WASHER 7.2*13*1.2	1	
	90428	90428-9H58-001	WASHER THRUST 14MM	WASHER THRUST 14MM	1	
	90478	90478-7L00-001	WASHER A 6MM	WASHER A 6MM	1	
	91202	91202-KGB4-C00	OIL SEAL 13.7*24*5	OIL SEAL 13.7*24*5	1	
	91302	91302-5G67-004	O-RING 27.4*2.4	O-RING 27.4*2.4	1	
	91303-3G77	91303-3G77-001	O-RING 13.8*2.5	O-RING 13.8*2.5	1	
	91303-LEA7	91303-LEA7-E00	O-RING 52.5x2.5	O-RING 52.5x2.5	1	
	91307	91307-0E35-001	O RING 18*3	O RING 18*3	1	
	94301-08140	94301-08140	PIN A DOWEL 8*14	PIN A DOWEL 8*14	2	
	94301-10160	94301-10160	DOWEL PIN 10*16	DOWEL PIN 10*16	2	
	94510	94510-14000	CIR CLIP EXTERNAL 14	CIR CLIP EXTERNAL 14	1	
	96001-06010	96001-06010-00	BOLT FLANGE SH 6X10	BOLT FLANGE SH 6X10	1	
	96001-06022	96001-06022-06	BOLT FLANGE SH 6*25	BOLT FLANGE SH 6*25	3	
	96001-06028	96001-06028-06	BOLT FLANGE SH 6*28	BOLT FLANGE SH 6*28	11	
	96001-06035	96001-06035-06	BOLT FLANGE SH 6*35	BOLT FLANGE SH 6*35	2	

E05

Throttle Body Assy



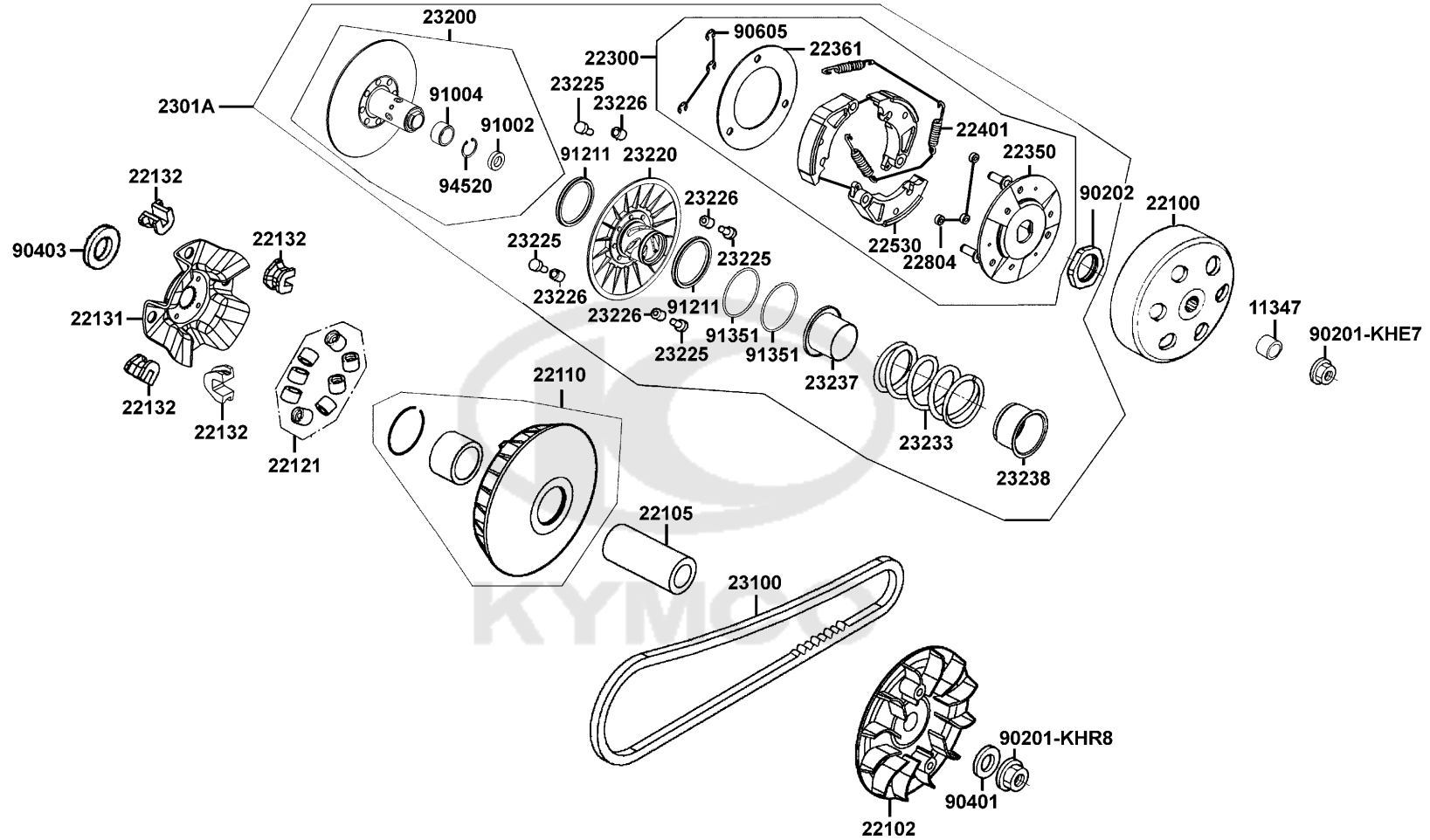
Sales mark	Ref no	Part no	Description	Reg description	Regd no	E05
	0901-880-6000	0901-880-6000	O-RING/TPS	O-RING/TPS	1	
	0901-911-6000	0901-911-6000	O-RING	O-RING	1	
	1034	1034-KAE0-7700	SCREW / THROTTLE	SCREW / THROTTLE	1	
	1190-C74-2000	1190-C74-2000	STAY PLATE	STAY PLATE	1	
	1190-C75	1190-C75-2000	BRACKET / THROTTLE CABLE	BRACKET / THROTTLE CABLE	1	
	1610K	1610K-LGE5-E00	THROTTLE BODY ASSY.	THROTTLE BODY ASSY.	1	
	1614-868-0000	1614-868-0000	THROTTLE POSITION SENSER	THROTTLE POSITION SENSER	1	
	1614-906-0002	1614-906-0002	MAP SENSOR	MAP SENSOR	1	
	3700-A35B-0100	3700-A35B-0100	ISC VALVE	ISC VALVE	1	
	4115-803-1100-3	4115-803-1100-3	"SCREW ,PAN"	"SCREW ,PAN"	2	
	93892-04008	93892-04008-18	SCREW WASHER 4*8	SCREW WASHER 4*8	3	
	W1792-048-9901	W1792-048-9901	SCREW TORX M5*0.8/TPS	SCREW TORX M5*0.8/TPS	1	



Sales mark	Ref no	Part no	Description	Reg description	Regd no	E06
11347		11347-LEA7-E00	BOSS DRIVE SHAFT	BOSS DRIVE SHAFT	1	
22100		22100-LEA7-E00	OUTER COMP CLUTCH	OUTER COMP CLUTCH	1	
22102		22102-LEA7-E00	FACE DRIVE	FACE DRIVE	1	
22105		22105-LGF9-E00	BOSS DRIVE FACE	BOSS DRIVE FACE	1	
22110		22110-LGE5-E00	FACE COMP MOVABLE DRIVE	FACE COMP MOVABLE DRIVE	1	
22121		22121-LEA7-E00	ROLLER COMP WEIGHT	ROLLER COMP WEIGHT	8	
22131		22131-LGE5-E00	PLATE RAMP	PLATE RAMP	1	
22132		22132-PWB1-900	PIECE SLIDE	PIECE SLIDE	4	
22300		22300-LGE5-E00	PLATE ASSY DRIVE	PLATE ASSY DRIVE	1	
22350		22350-KHE7-900	PLATE COMP DRIVE	PLATE COMP DRIVE	1	
22361		22361-LEA7-E00	PLATE CLUTCH SIDE	PLATE CLUTCH SIDE	1	
22401		22401-LGE5-E00	SPRING CLUTCH	SPRING CLUTCH	3	
22530		22530-LGE5-E00	WEIGHT CLUTCH	WEIGHT CLUTCH	3	
22804		22804-GBB2-001	RUBBER CLUTCH DUMRER	RUBBER CLUTCH DUMRER	3	
2301A		2301A-LGE5-E00	PULLEY SUB. ASSY	PULLEY SUB. ASSY	1	
23100		23100-LEA7-E00	BELT. DRIVE	BELT. DRIVE	1	
23100		23100-LEA7-E01	BELT DRIVE (N-5U)	BELT DRIVE (N-5U)	1	
23200		23200-LGE5-E00	FACE ASSY DRIVEN	FACE ASSY DRIVEN	1	
23220		23220-LGE5-E00	FACE COMP MOVABLE DRIVEN	FACE COMP MOVABLE DRIVEN	1	
23225		23225-LEA7-E00	PIN. ROLLER GUIDE	PIN. ROLLER GUIDE	4	

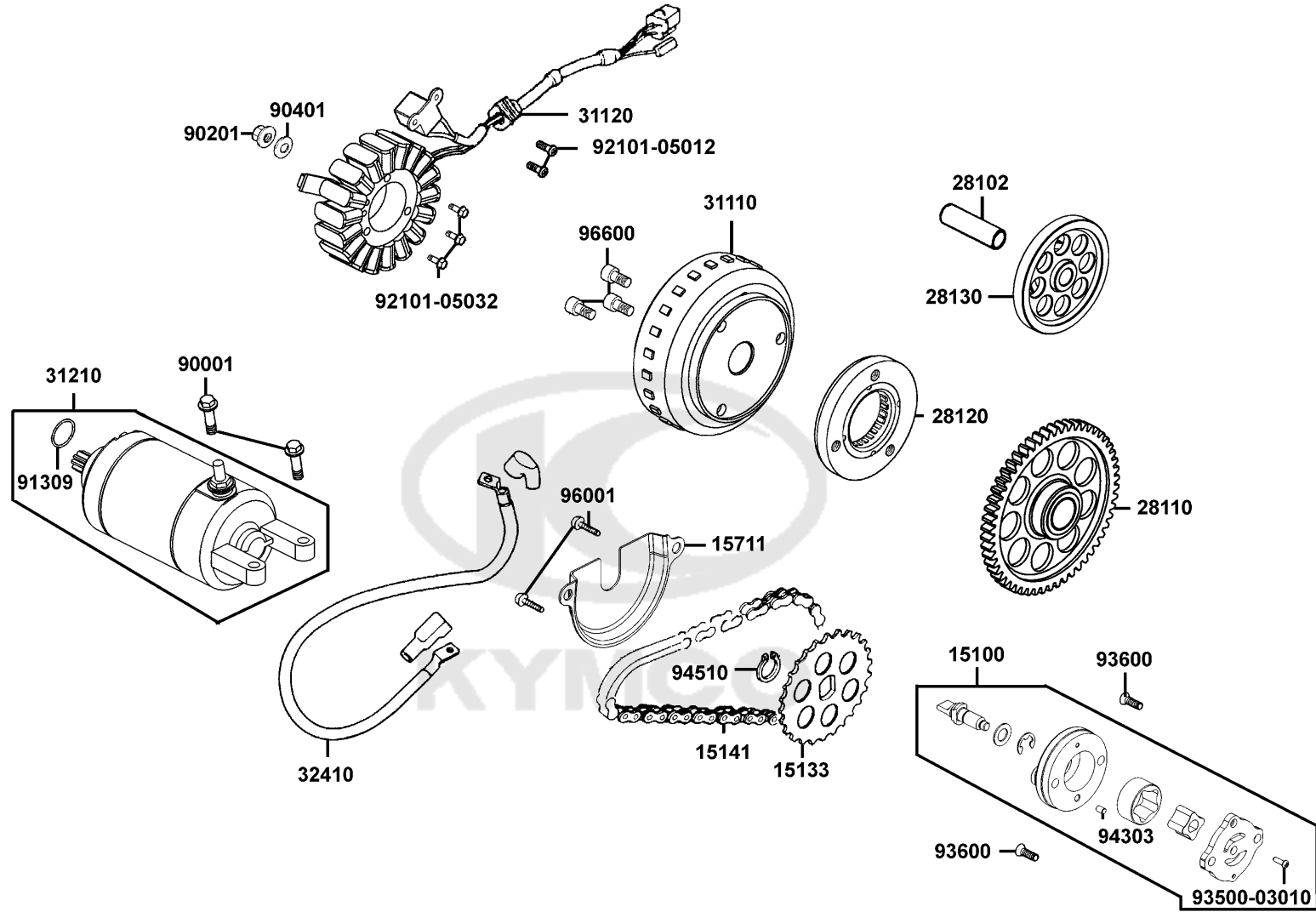
E06

Drive Pulley



Sales mark	Ref no	Part no	Description	Reg description	Regd no	E06
23226		23226-LEA7-E00	ROLLER GUIDE	ROLLER GUIDE	4	
23233		23233-LEA7-E00	SPG.DRIVEN FACE	SPG.DRIVEN FACE	1	
23237		23237-KHE7-900	COLLAR SEAL	COLLAR SEAL	1	
23238		23238-KHE7-900	COLLAR SPG	COLLAR SPG	1	
90201-KHE7		90201-KHE7-900	NUT C FLANGE M12	NUT C FLANGE M12	1	
90201-KHR8		90201-KHR8-75A	NUT FLANGE 14MM	NUT FLANGE 14MM	1	
90202		90202-LEA7-E00	NUT SPECIAL 28mm	NUT SPECIAL 28mm	1	
90401		90401-LEA7-E00	WASHER THRUST 14*28*2	WASHER THRUST 14*28*2	1	
90403		90403-LEA7-E00	THRUST WASHER 20.2X35X2.35	THRUST WASHER 20.2X35X2.35	1	
90605		90605-1F66-721	CIR CLIP 7MM	CIR CLIP 7MM	3	
91002		91002-GGA7-70A	BRG BALL RADIAL 6902U 15*28*7	BRG BALL RADIAL 6902U 15*28*7	1	
91004		91004-LEA7-E00	BRG.NEEDLE 25X32X14	BRG.NEEDLE 25X32X14	1	
91211		91211-KHE7-900	SEAL DRIVEN FACE	SEAL DRIVEN FACE	2	
91351		91351-KHE7-900	O-RING PINION CAP	O-RING PINION CAP	2	
94520		94520-28000	CIR CLIP IN 28MM	CIR CLIP IN 28MM	1	

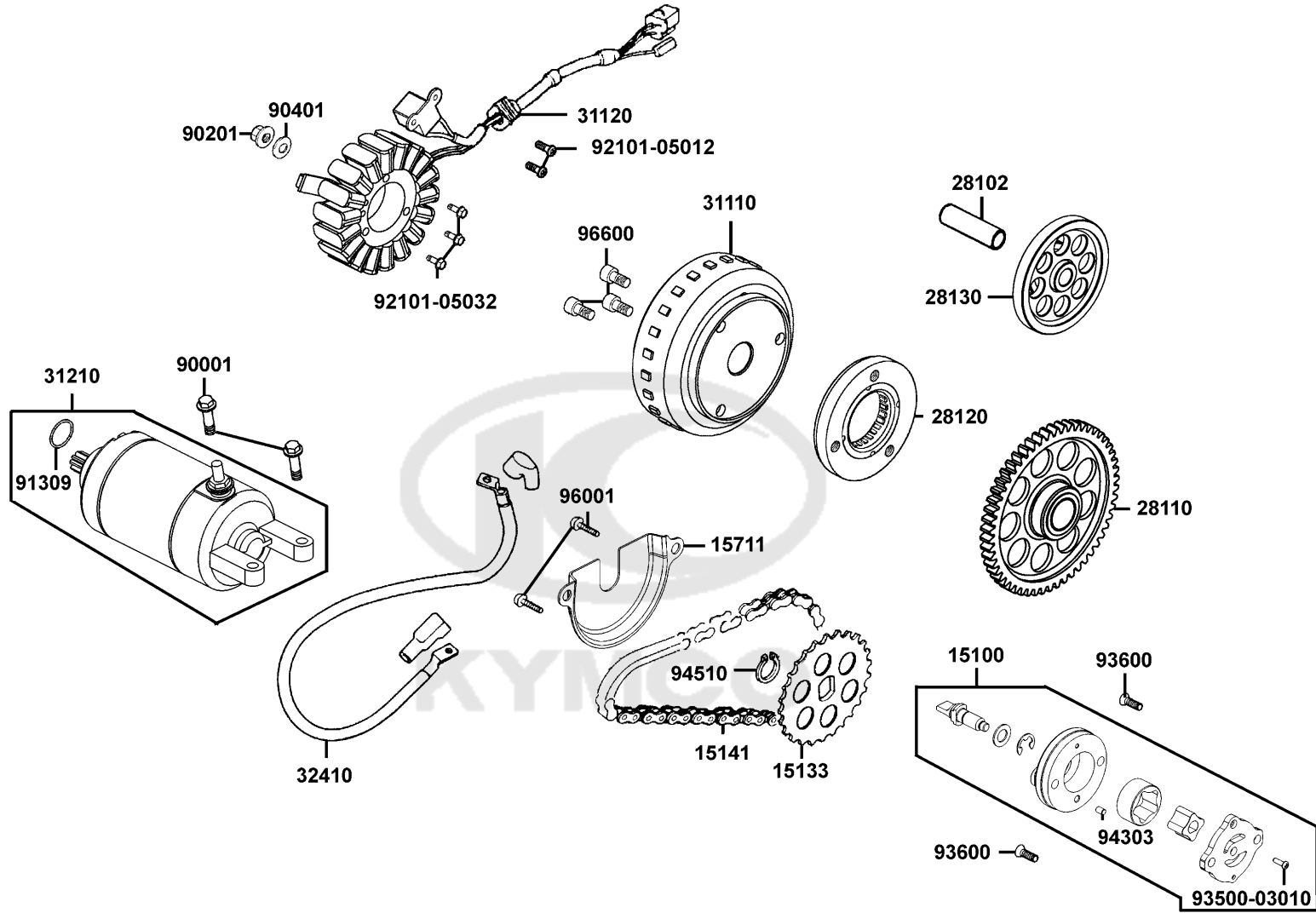
Starting Motor Generator




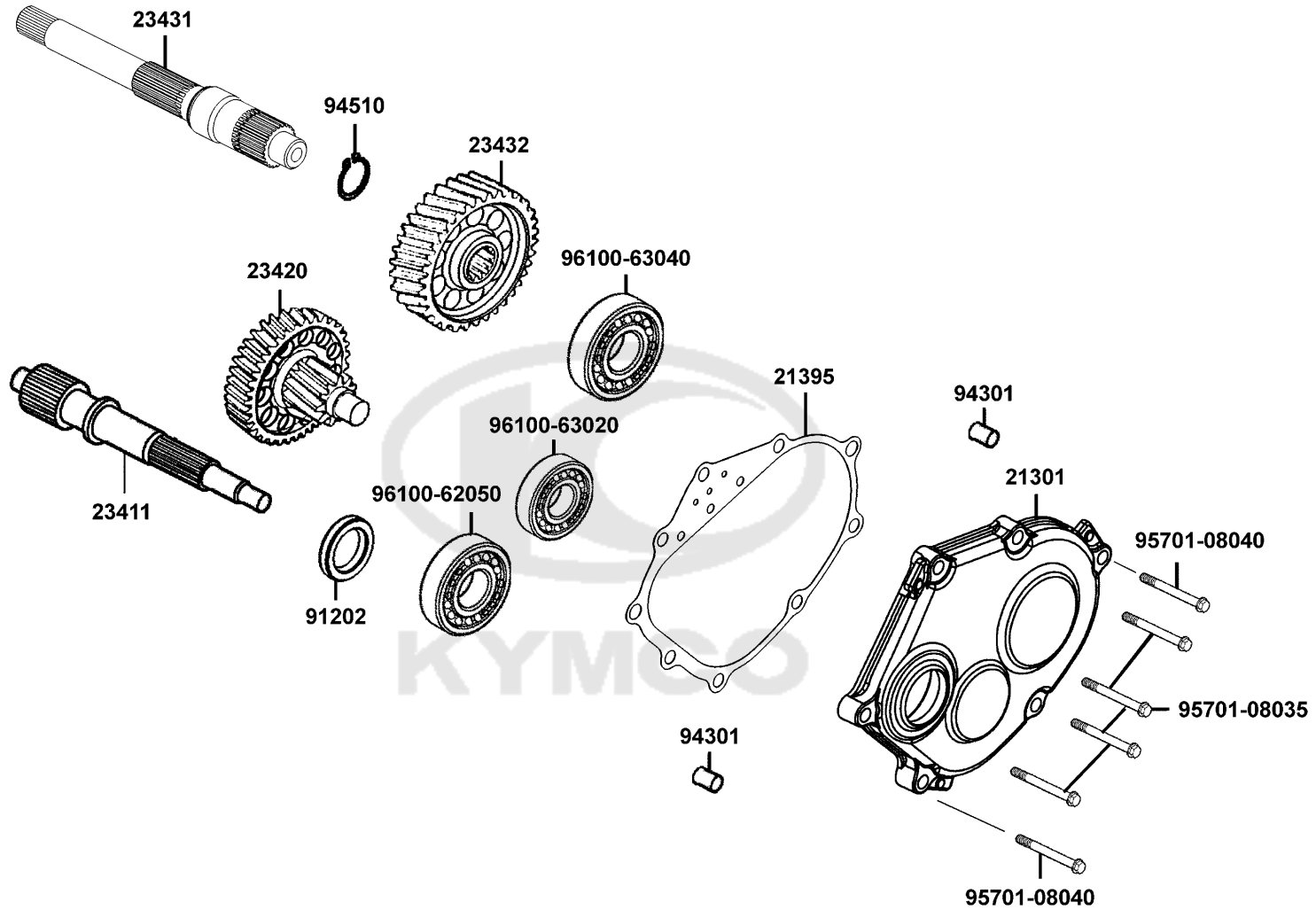
Sales mark	Ref no	Part no	Description	Reg description	Regd no	E07
	15100	15100-LEA7-E00	PUMP ASSY.. OIL	PUMP ASSY.. OIL	1	
	15133	15133-LEA7-E00	SPROCKET. OIL PUMP DRIVEN	SPROCKET. OIL PUMP DRIVEN	1	
	15133	15133-LGF9-E00	SPROCKET OIL PUMP	SPROCKET OIL PUMP	1	
	15141	15141-LEA7-E00	CHAIN OIL PUMP	CHAIN OIL PUMP	1	
	15141	15141-LGF9-E00	CHAIN OIL PUMP	CHAIN OIL PUMP	1	
	15711	15711-LEA7-E00	SEPARATOR OIL	SEPARATOR OIL	1	
	28102	28102-LEA7-E00	SHAFT STARTER REDUCTION	SHAFT STARTER REDUCTION	1	
	28110	28110-LEA7-E00	GEAR COMP STARTING CLUTCH	GEAR COMP STARTING CLUTCH	1	
	28120	28120-LDB2-E00	ONE WAY CLUTCH	ONE WAY CLUTCH	1	
	28130	28130-LEA7-E00	GEAR STARTER REDUCTION	GEAR STARTER REDUCTION	1	
	31110	31110-LEA7-E0B	FLYWHEEL COMP /D402	FLYWHEEL COMP /D402	1	
	31120	31120-LEA7-E0B	STATOR COMP /D402	STATOR COMP /D402	1	
	31210	31210-LEA7-E00	MOTOR UNIT..STARTER	MOTOR UNIT..STARTER	1	
	32410	32410-LGE5-E00	CABLE STARTER MOTOR	CABLE STARTER MOTOR	1	
	90001	90001-GBHB-661	BOLT FLANGE SH 6*22	BOLT FLANGE SH 6*22	2	
	90201	90201-KHR8-75A	NUT FLANGE 14MM	NUT FLANGE 14MM	1	
	90401	90401-KKJ9-001	WASHER THRUST 14*28*2	WASHER THRUST 14*28*2	1	
	91309	91309-4E25-004	O-RING 24.4*3.1	O-RING 24.4*3.1	1	
	92101-05012	92101-05012-0H	BOLT HEX 5*12	BOLT HEX 5*12	2	
	92101-05032	92101-05032-0H	BOLT HEX 5*32	BOLT HEX 5*32	3	

E07

Starting Motor Generator



Sales mark	Ref no	Part no	Description	Reg description	Regd no	E07
	93500-03010	93500-03010-1A	SCREW PAN 3*12	SCREW PAN 3*12	1	
	93600	93600-06032-0H	SCREW. FLAT. 6x32	SCREW. FLAT. 6x32	2	
	94303	94303-04065	PIN C DOWEL 4*6.5	PIN C DOWEL 4*6.5	1	
	94510	94510-10000	CIR EXTERNAL 10MM	CIR EXTERNAL 10MM	1	
	96001	96001-06012-08	BOLT FLANGE SH 6*12	BOLT FLANGE SH 6*12	2	
	96600	96600-08015-10	BOLT SOCKET 8*15	BOLT SOCKET 8*15	3	
						



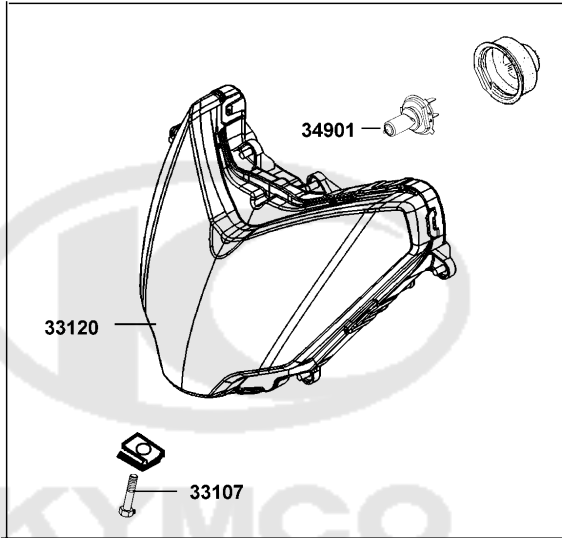
Sales mark	Ref no	Part no	Description	Reg description	Regd no	E08
21301		21301-LEA7-E00	COVER MISSION	COVER MISSION	1	
21395		21395-LEA7-E00	GASKET MISSION COVER	GASKET MISSION COVER	1	
23411		23411-LEA7-E00	SHAFT.DRIVE	SHAFT.DRIVE	1	
23420		23420-LGE5-E00	SHAFT COMP COUNTER	SHAFT COMP COUNTER	1	
23431		23431-LEA7-E00	SHAFT FINAL	SHAFT FINAL	1	
23432		23432-LGE5-E00	GEAR FINAL	GEAR FINAL	1	
91202		91202-LEA7-E00	OIL SEAL 25*35*6	OIL SEAL 25*35*6	1	
91202		91202-LEA7-E0A	OIL SEAL 25*35*6	OIL SEAL 25*35*6	1	
94301		94301-10160	DOWEL PIN 10*16	DOWEL PIN 10*16	2	
94510		94510-25000	CIR CLIP EX 25	CIR CLIP EX 25	1	
95701-08035		95701-08035-08	BOLT FLANGE 8*35	BOLT FLANGE 8*35	7	
95701-08040		95701-08040-08	BOLT FLANGE 8*40	BOLT FLANGE 8*40	2	
96100-62050		96100-62050-00	BRG BALL RADIAL 6205	BRG BALL RADIAL 6205	1	
96100-63020		96100-63020-00	BRG BALL RADIAL 6302	BRG BALL RADIAL 6302	1	
96100-63040		96100-63040-00	BRG BALL RADIAL 6304	BRG BALL RADIAL 6304	1	

F01

Head Light

93903

33100



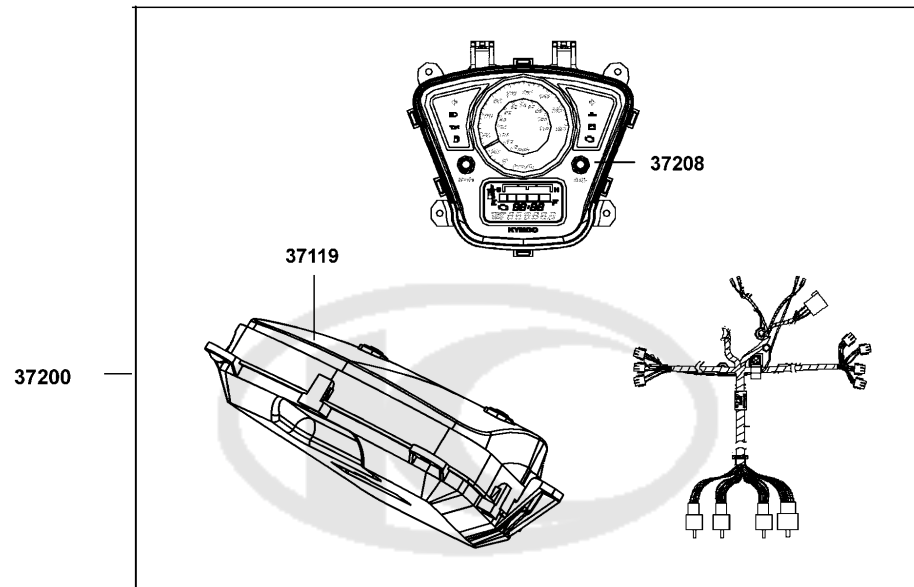
Sales mark	Ref no	Part no	Description	Reg description	Regd no	F01
------------	--------	---------	-------------	-----------------	---------	------------

33100		33100-LGE5-E00	LIGHT ASSY HEAD	LIGHT ASSY HEAD	1	
33107		33107-LGE5-E00	BOLT ADJUST	BOLT ADJUST	1	
33120		33120-LGE5-E00	UNIT HEAD LIGHT	UNIT HEAD LIGHT	1	
34901		34901-KED9-900	BULB HEAD LIGHT	BULB HEAD LIGHT	1	
93903		93903-35220	SCREW TAPPING 5*12	SCREW TAPPING 5*12	6	



F02

Speed meter



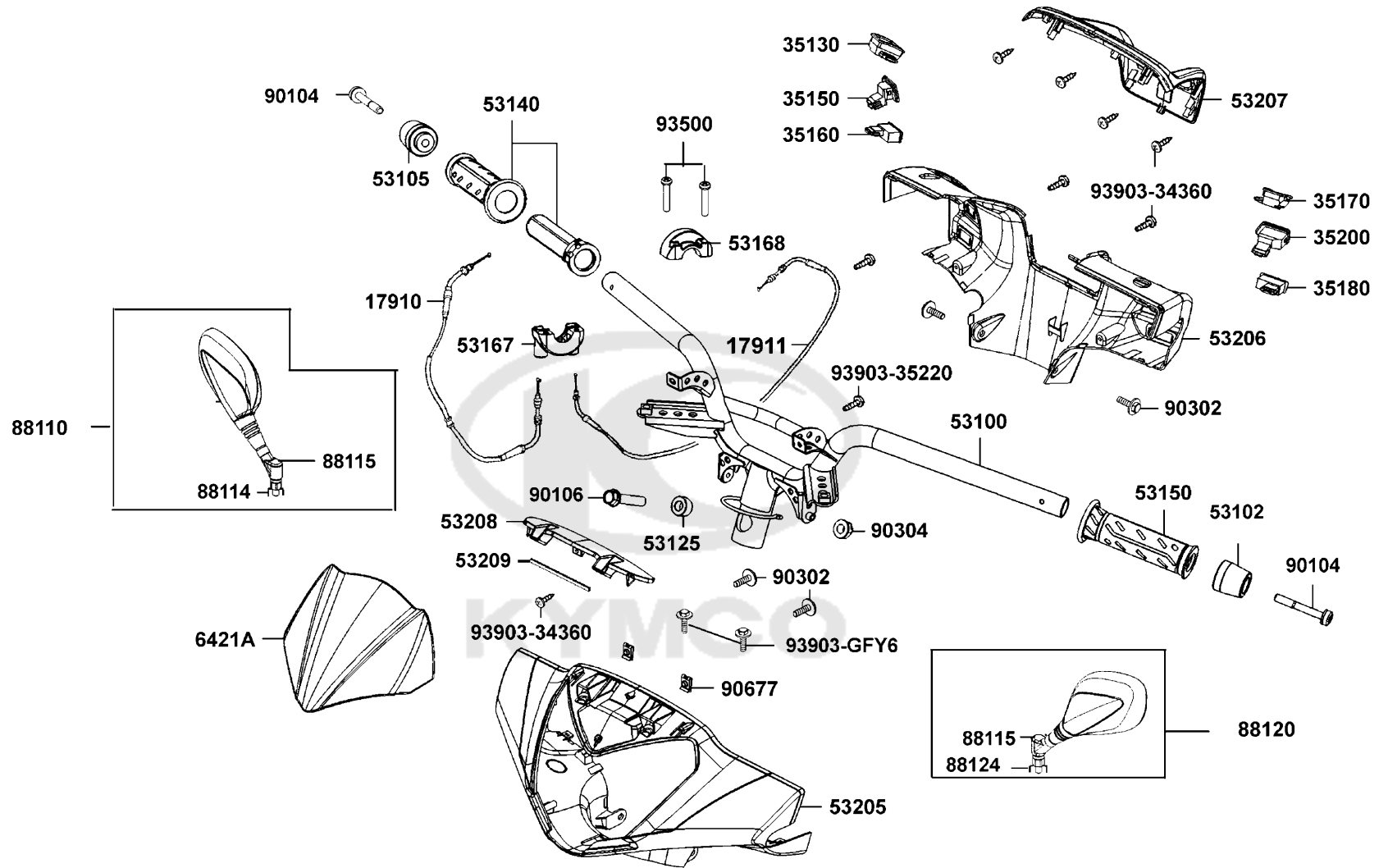
Sales mark	Ref no	Part no	Description	Reg description	Regd no	F02
------------	--------	---------	-------------	-----------------	---------	------------

37119		37119-LGE5-E00	GLASS ASSY	GLASS ASSY	1	
37200		37200-LGE5-E00	METER ASSY..SPEED	METER ASSY..SPEED	1	
37208		37208-LGE5-E00	MASK	MASK	1	
93903		93903-35220	SCREW TAPPING 5*12	SCREW TAPPING 5*12	4	



F03

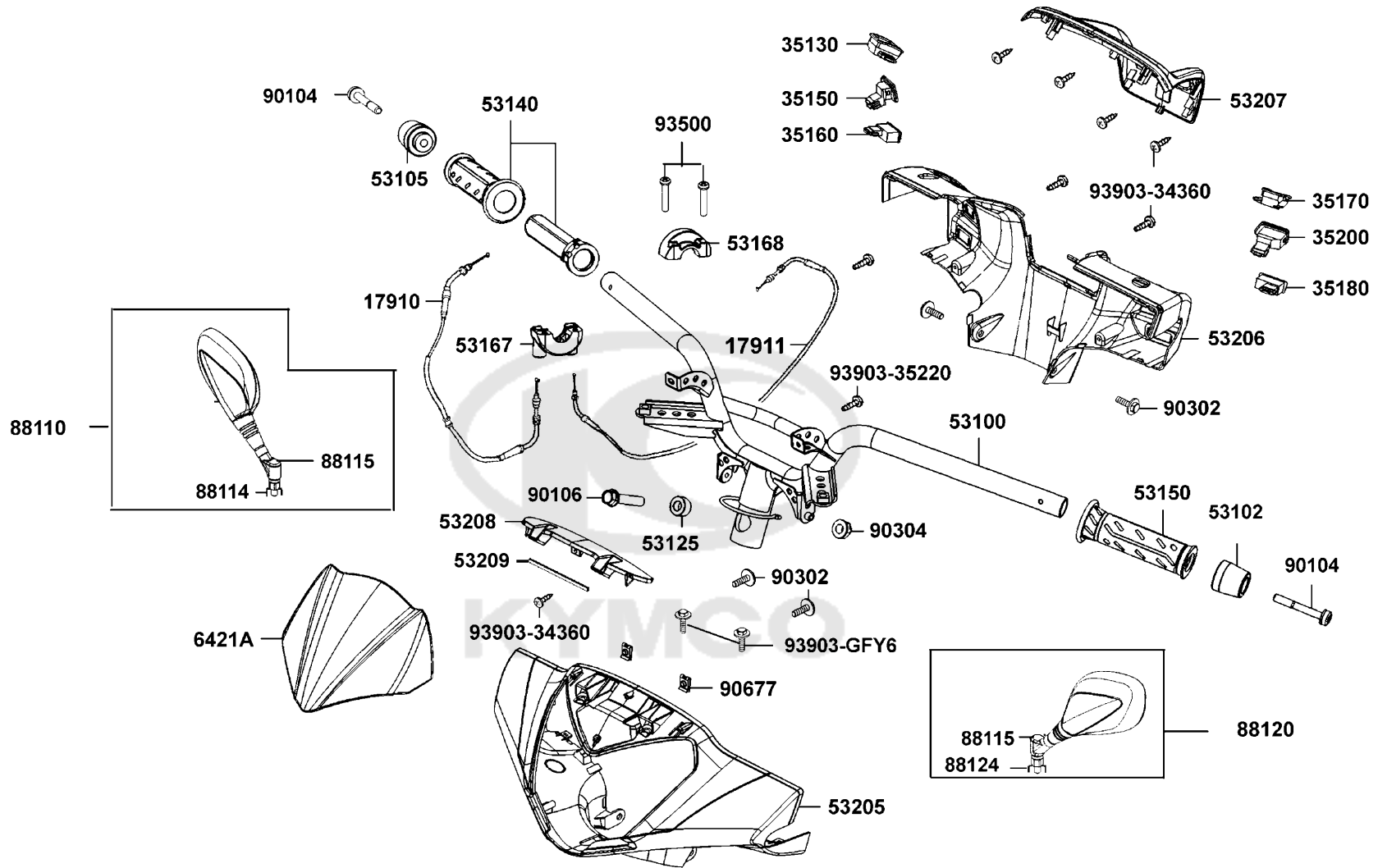
Handle Steering



Sales mark	Ref no	Part no	Description	Reg description	Regd no	F03
	17910	17910-LGE5-E00	CABLE A COMP THROT	CABLE A COMP THROT	1	
	17911	17911-LGE5-E00	CABLE B COMP..THROT	CABLE B COMP..THROT	1	
	35130	35130-KXCX-M00	SW UNIT KILL	SW UNIT KILL	1	
	35150	35150-GFY6-900	SW UNIT LIGHTING	SW UNIT LIGHTING	1	
	35160	35160-GFY6-900	SW UNIT START	SW UNIT START	1	
	35170	35170-KNBN-910	SW UNIT DIMMER	SW UNIT DIMMER	1	
	35180	35180-GFY6-900	SW UNIT HORN	SW UNIT HORN	1	
	35200	35200-GFY6-910	SW UNIT WINKER	SW UNIT WINKER	1	
	53100	53100-LGE5-E00	HANDLE COMP.,STRG.	HANDLE COMP.,STRG.	1	
**	53102	53102-LEA5-E00	END HANDLE	END HANDLE	1	
**	53105	53105-LEA5-E00	END R STRG HANDLE	END R STRG HANDLE	1	
	53125	53125-LEA7-E00	COLLAR HANDLE SET	COLLAR HANDLE SET	1	
**	53140	53140-LEA7-E00	GRIP COMP THROT	GRIP COMP THROT	1	
**	53150	53150-LEA6-900	GRIP COMP L HANDLE	GRIP COMP L HANDLE	1	
	53167	53167-LGE5-E01	HOUSING,UND. THROT	HOUSING,UND. THROT	1	
	53168	53168-LGE5-E01	HOUSING UP THROT	HOUSING UP THROT	1	
**	53205	53205-LGE5-E00	COVER FR HANDLE	COVER FR HANDLE	1	
**	53206	53206-LGE5-E00	COVER RR HANDLE	COVER RR HANDLE	1	
**	53207	53207-LGE5-E00	MATER COVER RR HANDLE	MATER COVER RR HANDLE	1	
**	53208	53208-LGE5-E00	COVER VISOR	COVER VISOR	1	

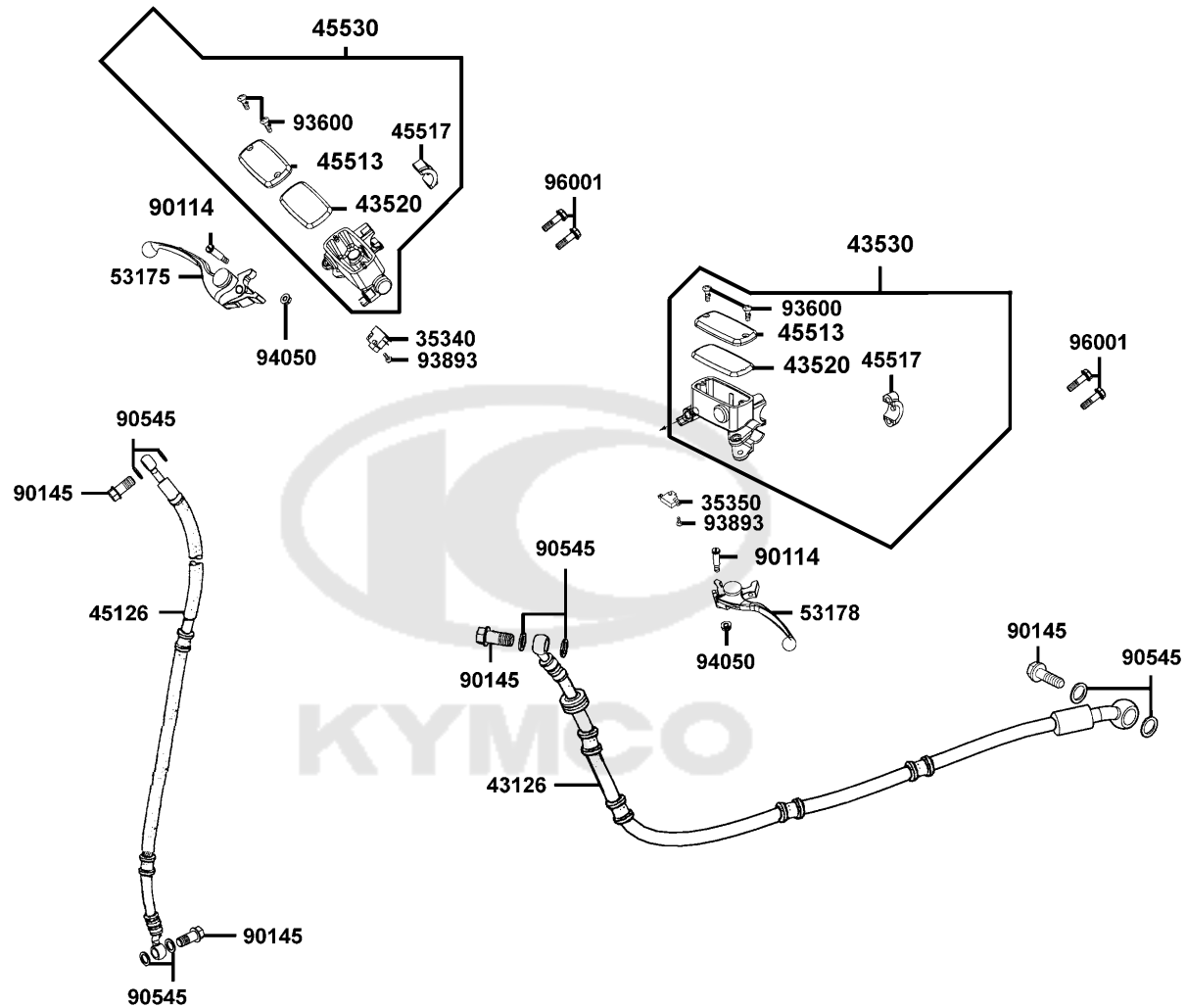
F03

Handle Steering

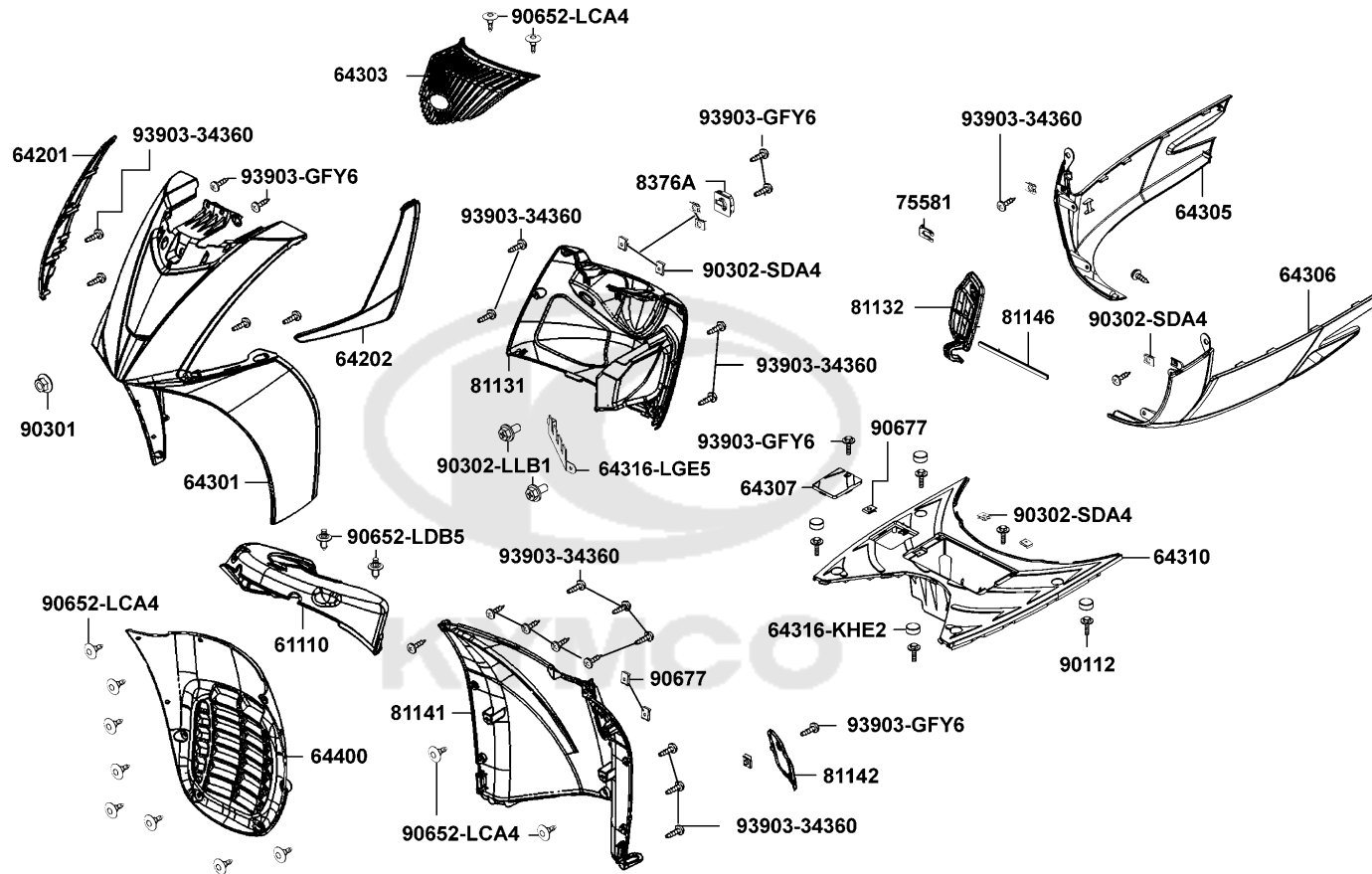


Sales mark	Ref no	Part no	Description	Reg description	Regd no	F03
	53209	53209-LGE5-E00	SEAL COVER VISOR	SEAL COVER VISOR	1	
**	6421A	6421A-LGE5-E00	VISOR ASSY METER	VISOR ASSY METER	1	
**	88110	88110-LGE5-E00	MIRROR ASSY R/H BACK	MIRROR ASSY R/H BACK	1	
	88114	88114-LGE5-E00	BOOT R BACK MIRROR	BOOT R BACK MIRROR	1	
**	88115	88115-LBA2-E02	CAP MIRROR BRKT	CAP MIRROR BRKT	2	
**	88120	88120-LGE5-E00	MIRROR ASSY L/H BACK	MIRROR ASSY L/H BACK	1	
	88124	88124-LGE5-E00	BOOT L BACK MIRROR	BOOT L BACK MIRROR	1	
	90104	90104-LEA7-E00	BOLT WASH.,M8*60	BOLT WASH.,M8*60	2	
	90106-GEN5	90106-GEN5-901	BOLT FLANGE 10*50	BOLT FLANGE 10*50	1	
	90302	90302-GFY6-940	BOLT WASHER 5*16	BOLT WASHER 5*16	6	
	90304	90304-GHE8-004	NUT U 10MM	NUT U 10MM	1	
	90677	90677-GAR1-004	NUT CLIP 5MM	NUT CLIP 5MM	2	
	93500	93500-05022-06	SCREW PAN 5*22	SCREW PAN 5*22	2	
	93903-34360	93903-34360	SCREW TAPPING 4*12	SCREW TAPPING 4*12	7	
	93903-35220	93903-35220	SCREW TAPPING 5*12	SCREW TAPPING 5*12	2	
	93903-GFY6	93903-GFY6-900	SCREW TAPP 4*14	SCREW TAPP 4*14	2	

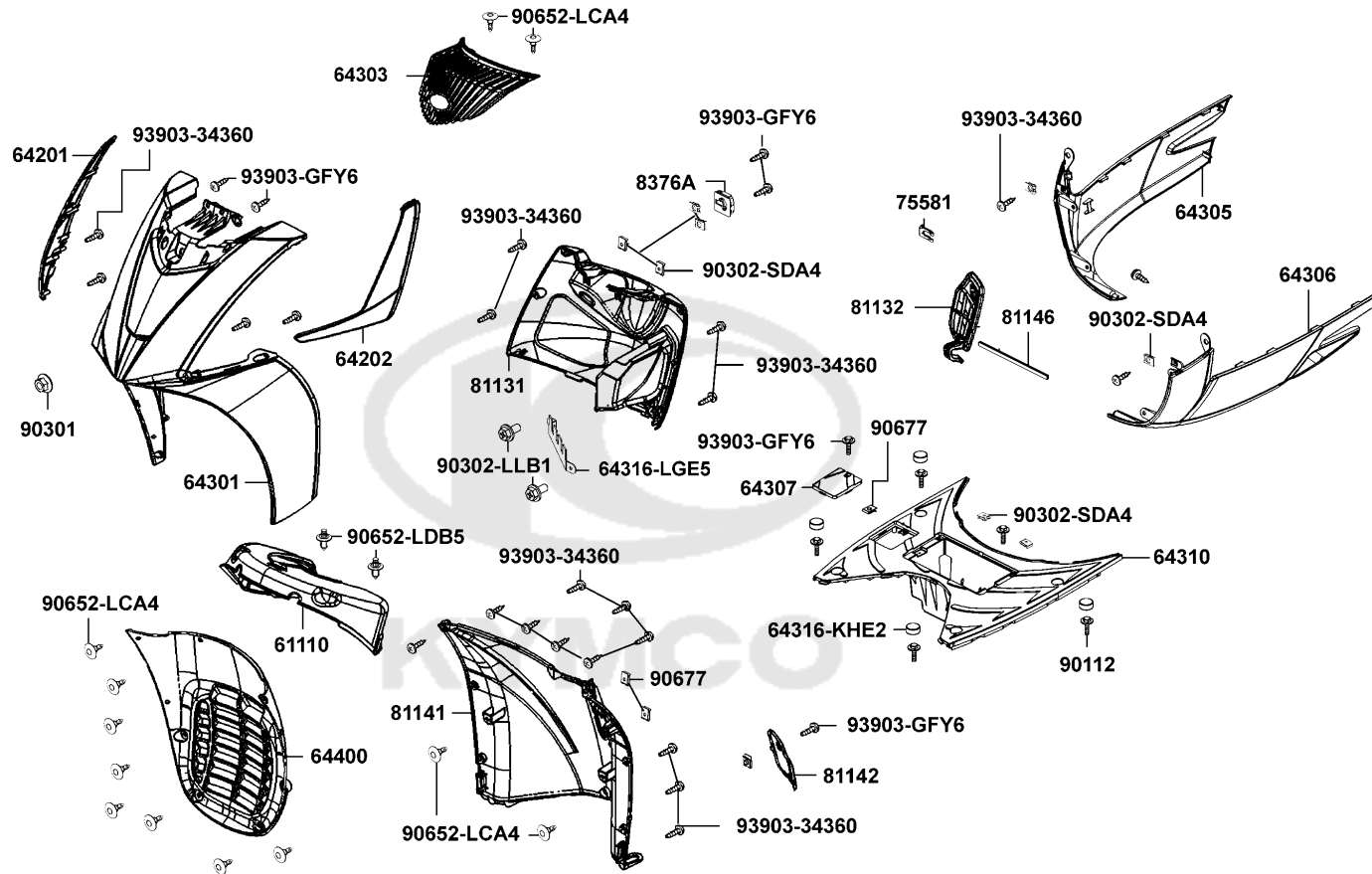
Master Cylinder



Sales mark	Ref no	Part no	Description	Reg description	Regd no	F04
	35340	35340-KNBN-901	SW ASSY FR STOP	SW ASSY FR STOP	1	
	35350	35350-KNBN-901	SW ASSY RR STOP	SW ASSY RR STOP	1	
	43126	43126-LGE5-E00	HOSE ASSY RR BRK	HOSE ASSY RR BRK	1	
	43520	43520-KKC4-900	DIAPHRAGM	DIAPHRAGM	2	
**	43530	43530-LGE5-305	M/C SET RR	M/C SET RR	1	
	45126	45126-LGE5-E00	HOSE ASSY FR BRK	HOSE ASSY FR BRK	1	
	45513	45513-LGE5-E00	CAP M/C	CAP M/C	2	
	45517	45517-KFAF-910	HOLDER M/C	HOLDER M/C	1	
**	45530	45530-LGE5-305	M/C SET FR RH	M/C SET FR RH	1	
**	53175	53175-KFA5-E10	LEVER R STRG HNDL	LEVER R STRG HNDL	1	
**	53178	53178-KFC8-E10	LEVER L STRG HANDLE	LEVER L STRG HANDLE	1	
	90114	90114-1F66-007	BOLT HANDLE LEVER	BOLT HANDLE LEVER	2	
	90145	90145-MKS9-61A	OIL BOLT 10*22	OIL BOLT 10*22	4	
	90545	90545-3L00-001	WASHER OIL BOLT	WASHER OIL BOLT	8	
	93600	93600-04012-1G	SCREW FLAT 4*12	SCREW FLAT 4*12	4	
	93893	93893-04012-18	SCREW WASHER 4*12	SCREW WASHER 4*12	2	
	94050	94050-06060	NUT FLANGE 6MM	NUT FLANGE 6MM	2	
	96001	96001-06022-06	BOLT FLANGE SH 6*25	BOLT FLANGE SH 6*25	4	

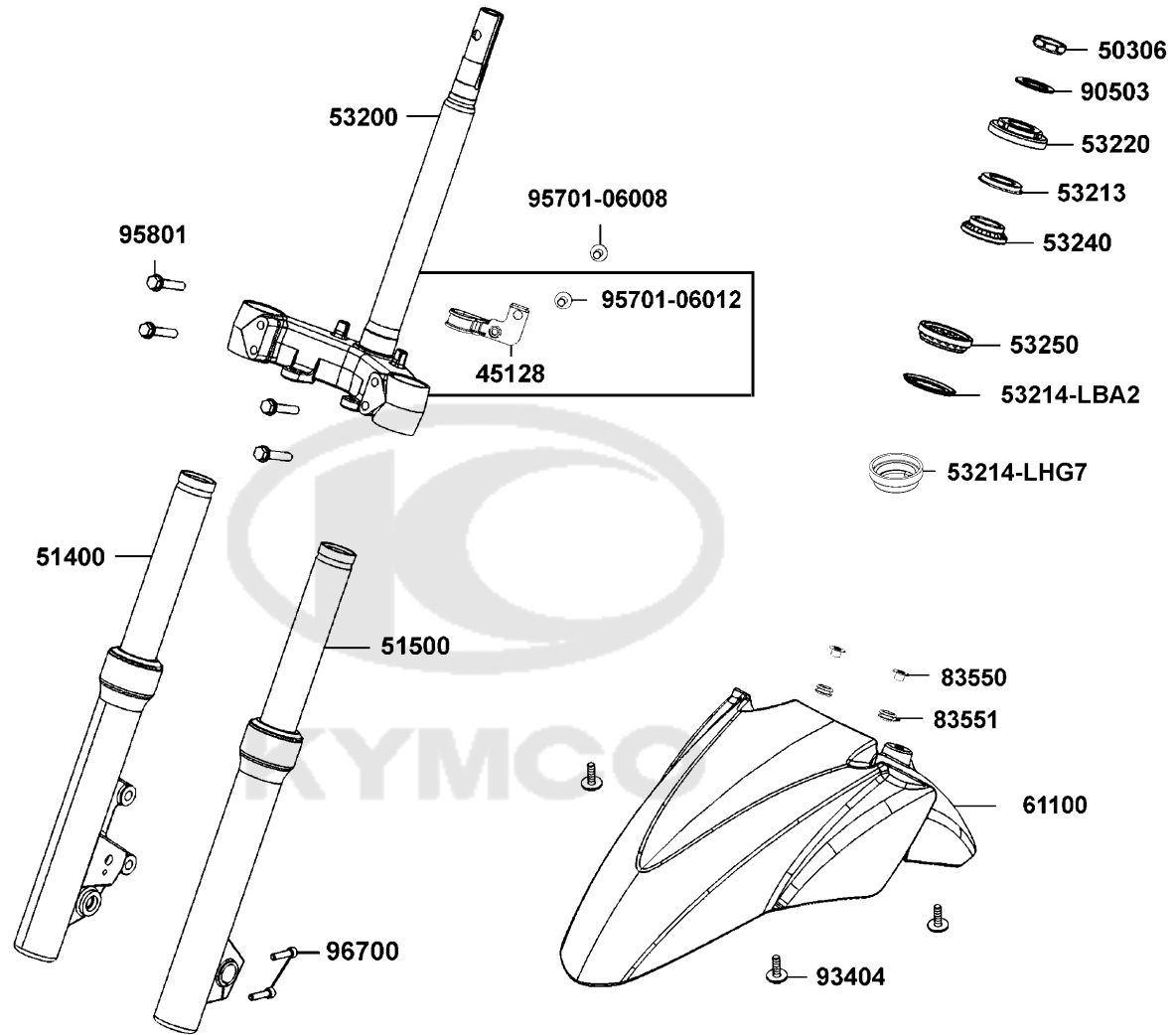


Sales mark	Ref no	Part no	Description	Reg description	Regd no	F05
**	61110	61110-LGE5-E00	FENDER FR INNER	FENDER FR INNER	1	
**	64201	64201-LGE5-E00	COVER R FR SIDE	COVER R FR SIDE	1	
**	64202	64202-LGE5-E00	COVER L FR SIDE	COVER L FR SIDE	1	
**	64301	64301-LGE5-E00	COVER FR	COVER FR	1	
**	64303	64303-LGE5-E00	TOP COVER	TOP COVER	1	
**	64305	64305-LGE5-E00	SKIRT R SIDE	SKIRT R SIDE	1	
**	64306	64306-LGE5-E00	SKIRT L SIDE	SKIRT L SIDE	1	
**	64307	64307-LGE5-E00	LID RESERVE TANK	LID RESERVE TANK	1	
**	64310	64310-LGE5-E00	FLOOR PANEL	FLOOR PANEL	1	
**	64316-KHE2	64316-KHE2-900	PLUG FLOOR	PLUG FLOOR	4	
	64316-LGE5	64316-LGE5-E00	STAY B FR COVER	STAY B FR COVER	1	
**	64400	64400-LGE5-E00	UNDER COWL	UNDER COWL	1	
	75581	75581-6C73-001	SET SPG LOCK KEY	SET SPG LOCK KEY	1	
**	81131	81131-LGE5-E00	LEG SHIELD UP	LEG SHIELD UP	1	
**	81132	81132-LGE5-E00	LID LEG SHIELD	LID LEG SHIELD	1	
**	81141	81141-LGE5-E00	LEG SHIELD LOW	LEG SHIELD LOW	1	
**	81142	81142-LGE5-E00	LID RAD MAINT	LID RAD MAINT	1	
	81146	81146-LGE5-E00	SEAL LID INNER BOX	SEAL LID INNER BOX	1	
	8376A	8376A-KEBE-900	CLIP ASSY CENTER	CLIP ASSY CENTER	1	
	90112	90112-KFA1-900	BOLT FLANGE 6MM	BOLT FLANGE 6MM	5	



Sales mark	Ref no	Part no	Description	Reg description	Regd no	F05
90301		90301-6D34-671	NUT FLANGE 6MM	NUT FLANGE 6MM	1	
90302-LLB1		90302-LLB1-E00	BOLT WASH 5*12	BOLT WASH 5*12	2	
90302-SDA4		90302-SDA4-004	NUT SPRING 4MM	NUT SPRING 4MM	8	
90652-LCA4		90652-LCA4-E00	CLIP MUDGUARD	CLIP MUDGUARD	12	
90652-LDB5		90652-LDB5-900	CLIP MUDGUARD	CLIP MUDGUARD	2	
90677		90677-GAR1-004	NUT CLIP 5MM	NUT CLIP 5MM	4	
93903-34360		93903-34360	SCREW TAPPING 4*12	SCREW TAPPING 4*12	22	
93903-GFY6		93903-GFY6-900	SCREW TAPP 4*14	SCREW TAPP 4*14	6	

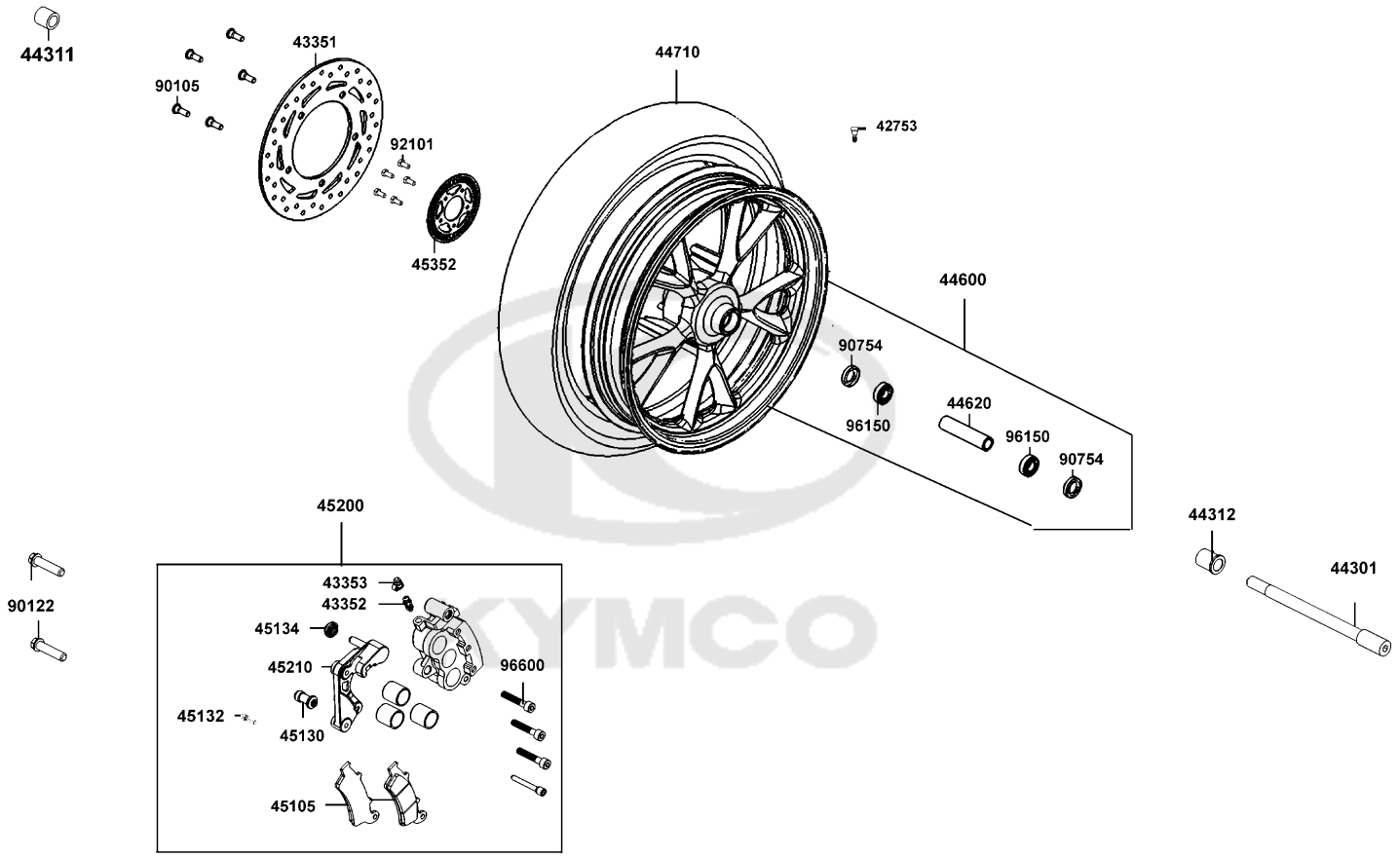




Sales mark	Ref no	Part no	Description	Reg description	Regd no	F06
	45128	45128-LGE5-E00	CLAMPER FR BRK HOSE	CLAMPER FR BRK HOSE	1	
	50306	50306-1F96-001	NUT STRG STEM LOCK	NUT STRG STEM LOCK	1	
**	51400	51400-LGE5-E00	FORK ASSY. FR R	FORK ASSY. FR R	1	
**	51500	51500-LGE5-E00	FORK ASSY. FR L	FORK ASSY. FR L	1	
	53200	53200-LGE5-E00	STEM COMP STRG	STEM COMP STRG	1	
	53213	53213-LBA2-E00	DUST SEAL STRG HEAD TOP	DUST SEAL STRG HEAD TOP	1	
	53214-LBA2	53214-LBA2-E00	DUST SEAL STRG (HEAD)	DUST SEAL STRG (HEAD)	1	
	53214-LHG7	53214-LHG7-E00	DUST SEAL STRG HEAD BOT	DUST SEAL STRG HEAD BOT	1	
	53220	53220-LBA2-E00	THREAD COMP STRG HEAD TOP	THREAD COMP STRG HEAD TOP	1	
	53240	53240-LBA2-E00	BEARING TOT STRG	BEARING TOT STRG	1	
	53250	53250-LBA2-E00	BEARING BOT STRG	BEARING BOT STRG	1	
**	61100	61100-LGE5-E00	FENDER FRONT	FENDER FRONT	1	
	83550	83550-KEC8-900	COLLAR	COLLAR	2	
	83551	83551-KEC8-900	GROMMET COVER	GROMMET COVER	2	
	90503	90503-LEA7-E00	WASHER STRG STEM NUT	WASHER STRG STEM NUT	1	
	93404	93404-06020-06	BOLT WASHER 6*20	BOLT WASHER 6*20	3	
	95701-06008	95701-06008-06	BOLT FLANGE 6*8	BOLT FLANGE 6*8	1	
	95701-06012	95701-06012-06	BOLT FLANGE 6*12	BOLT FLANGE 6*12	1	
	95801	95801-08040-08	BOLT FLANGE 8*40	BOLT FLANGE 8*40	4	
	96700	96700-06020-06	SOCKET BOLT 6*20(G)	SOCKET BOLT 6*20(G)	2	

F07

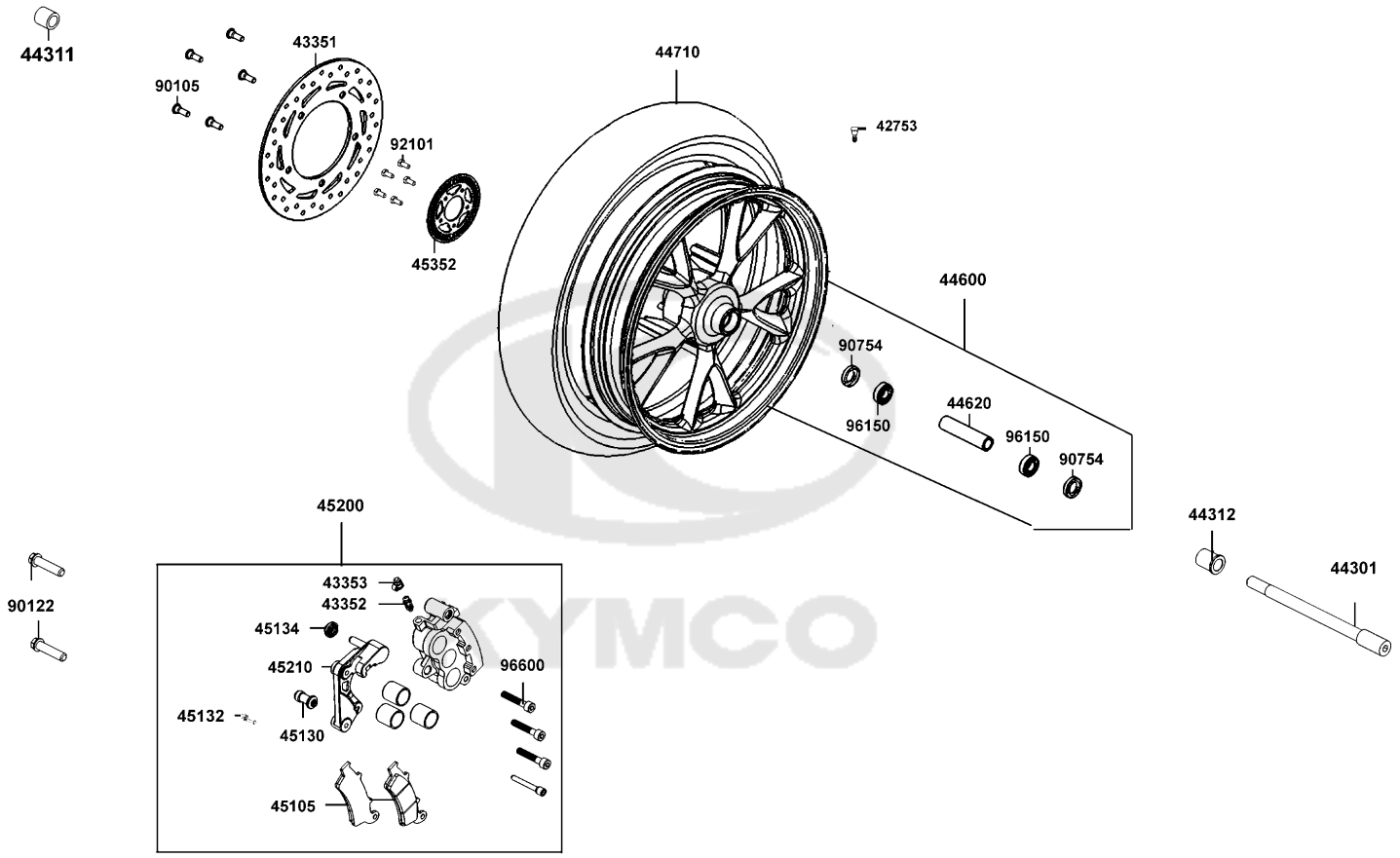
Front Wheel



Sales mark	Ref no	Part no	Description	Reg description	Regd no	F07
	42753	42753-KNBN-90B	VALVE RIM (TR412)	VALVE RIM (TR412)	1	
	43351	43351-LGE5-E00	DISK FR BRAKE	DISK FR BRAKE	1	
	43353	43353-KED9-900	CAP-BREATHER	CAP-BREATHER	1	
	43352	4335A-LBA2-E01	BLEEDER ASSY	BLEEDER ASSY	1	
	44301	44301-LLJ3-E00	AXLE FR WHEEL	AXLE FR WHEEL	1	
	44311	44311-LGE5-E00	COLLAR FR WHEEL SIDE	COLLAR FR WHEEL SIDE	1	
	44312	44312-LGE5-E00	COLLAR FR AXLE SIDE A	COLLAR FR AXLE SIDE A	1	
**	44600	44600-LGE5-305	WHEEL SET FR	WHEEL SET FR	1	
	44620	44620-LDH1-E00	COLLAR FR AXLE DIST	COLLAR FR AXLE DIST	1	
	44710	44710-LLJ3-E0B	TIRE ASSY FR 110/70-16 MAXXIS	TIRE ASSY FR 110/70-16 MAXXIS	1	
	45105	45105-LGE5-305	PAD SET	PAD SET	1	
	45130	45130-LGE5-E00	PUSH BOOT PIN	PUSH BOOT PIN	1	
	45132	45132-KED9-900	PIN BOLT	PIN BOLT	1	
	45134	45134-KED9-900	BOOT B	BOOT B	1	
**	45200	45200-LGE5-E00	C/P ASSY FR BRK RH	C/P ASSY FR BRK RH	1	
	45210	45210-LGE5-305	BRACKET SET	BRACKET SET	1	
	45352	45352-LGE5-E00	TOOTHED RING SENSOR	TOOTHED RING SENSOR	1	
	90105	90105-KCR3-001	BOLT FR DISK 8*24	BOLT FR DISK 8*24	5	
	90122	90122-LEA7-E00	BOLT FLANGE 10x42(Cr)	BOLT FLANGE 10x42(Cr)	2	
	90754	90754-LLJ3-E00	DUST SEAL	DUST SEAL	2	

F07

Front Wheel



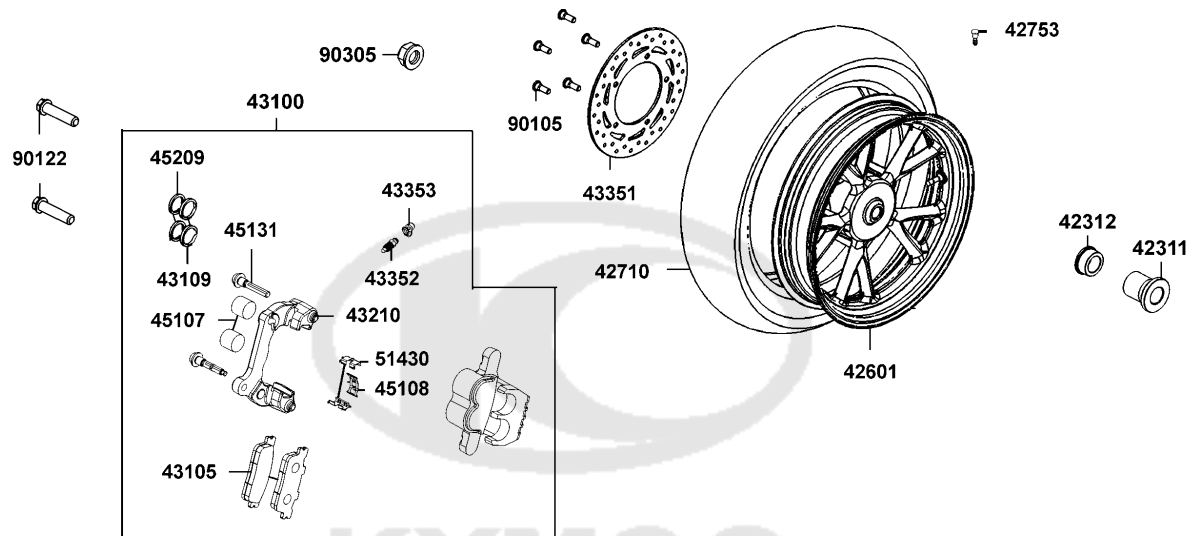
Sales mark	Ref no	Part no	Description	Reg description	Regd no	F07
------------	--------	---------	-------------	-----------------	---------	------------

92101		92101-05012-0A	BOLT HEX 5*12	BOLT HEX 5*12	5	
96150		96150-60020-10	BEARING BALL RADIAL 6002	BEARING BALL RADIAL 6002	1	
96600		96600-LGE5-E00	SOCKET BOLT	SOCKET BOLT	3	



F08

Rear Wheel

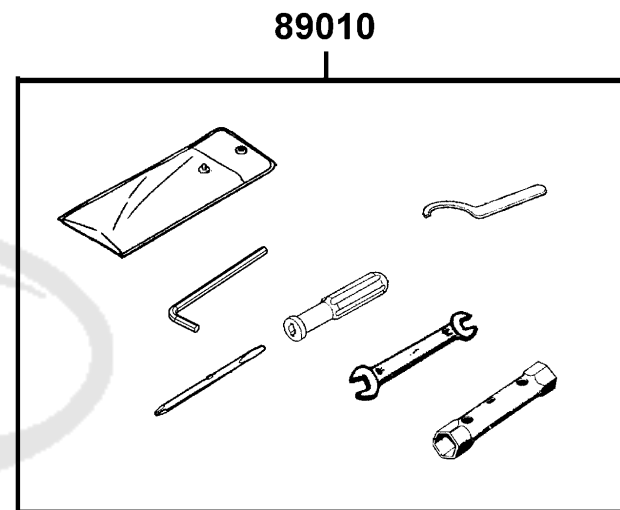
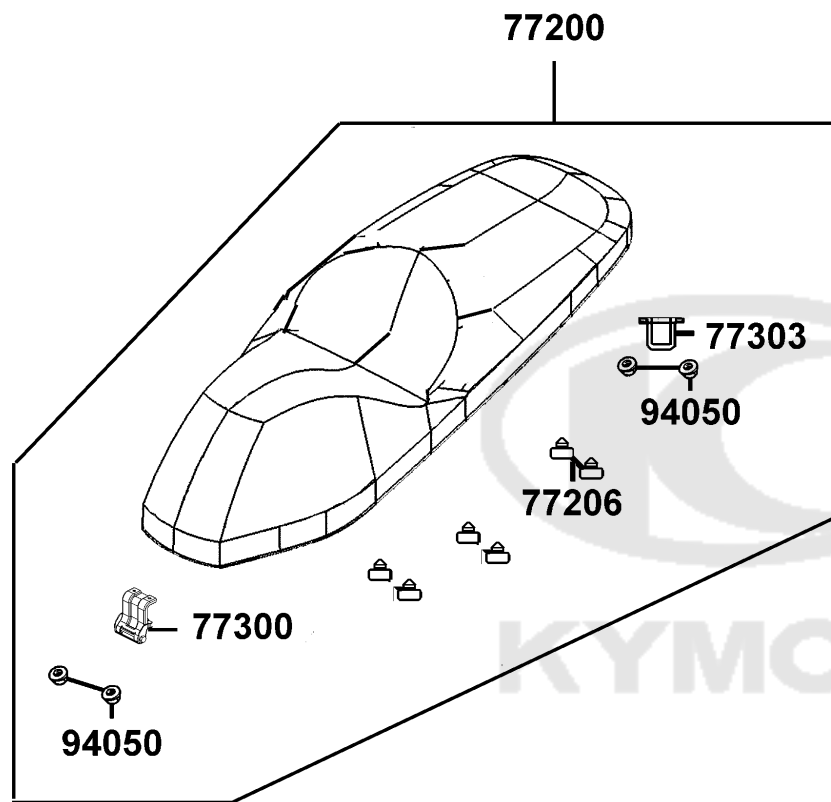


KYMCO

Sales mark	Ref no	Part no	Description	Reg description	Regd no	F08
	42311	42311-LEA7-900	COLLAR RR AXLE SIDE A 30*41(B)	COLLAR RR AXLE SIDE A 30*41(B)	1	
	42312	42312-LEA7-E00	COLLAR RR AXLE SIDE	COLLAR RR AXLE SIDE	1	
**	42601	42601-LGE5-E00	WHEEL RR CAST	WHEEL RR CAST	1	
	42710	42710-LLJ3-E0B	TIRE ASSY RR 140/70-16 MAXXIS	TIRE ASSY RR 140/70-16 MAXXIS	1	
	42753	42753-KNBN-90B	VALVE RIM (TR412)	VALVE RIM (TR412)	1	
**	43100	43100-LGE5-E00	CALIPER ASSY. RR	CALIPER ASSY. RR	1	
	43105	43105-LGE5-305	PAD SET	PAD SET	1	
	43109	43109-MCA3-007	SEAL PISTON	SEAL PISTON	2	
	43210	43210-LGE5-E00	BRACKET FR CALIPER	BRACKET FR CALIPER	1	
	43351	43351-LGE5-E00	DISK FR BRAKE	DISK FR BRAKE	1	
	43352	43352-KKD6-E90	SCREW BLEEDER	SCREW BLEEDER	1	
	43353	43353-4A61-77A	CAP BLEEDER	CAP BLEEDER	1	
	45107	45107-KED9-900	PISTON-COMP-BRAKE	PISTON-COMP-BRAKE	2	
	45108	45108-LDH1-E00	SPRING PAD	SPRING PAD	1	
	45131	45131-LGE5-E00	PIN BOLT	PIN BOLT	2	
	45209	45209-KED9-900	SEAL PISTON	SEAL PISTON	2	
	51430	51430-LGE5-E00	SLIDE PAD	SLIDE PAD	2	
	90105	90105-KCR3-001	BOLT FR DISK 8*24	BOLT FR DISK 8*24	5	
	90122	90122-LEA7-E00	BOLT FLANGE 10x42(Cr)	BOLT FLANGE 10x42(Cr)	2	
	90305	90305-KKAK-900	NUT U FLANGE 16MM	NUT U FLANGE 16MM	1	

F09

Seat

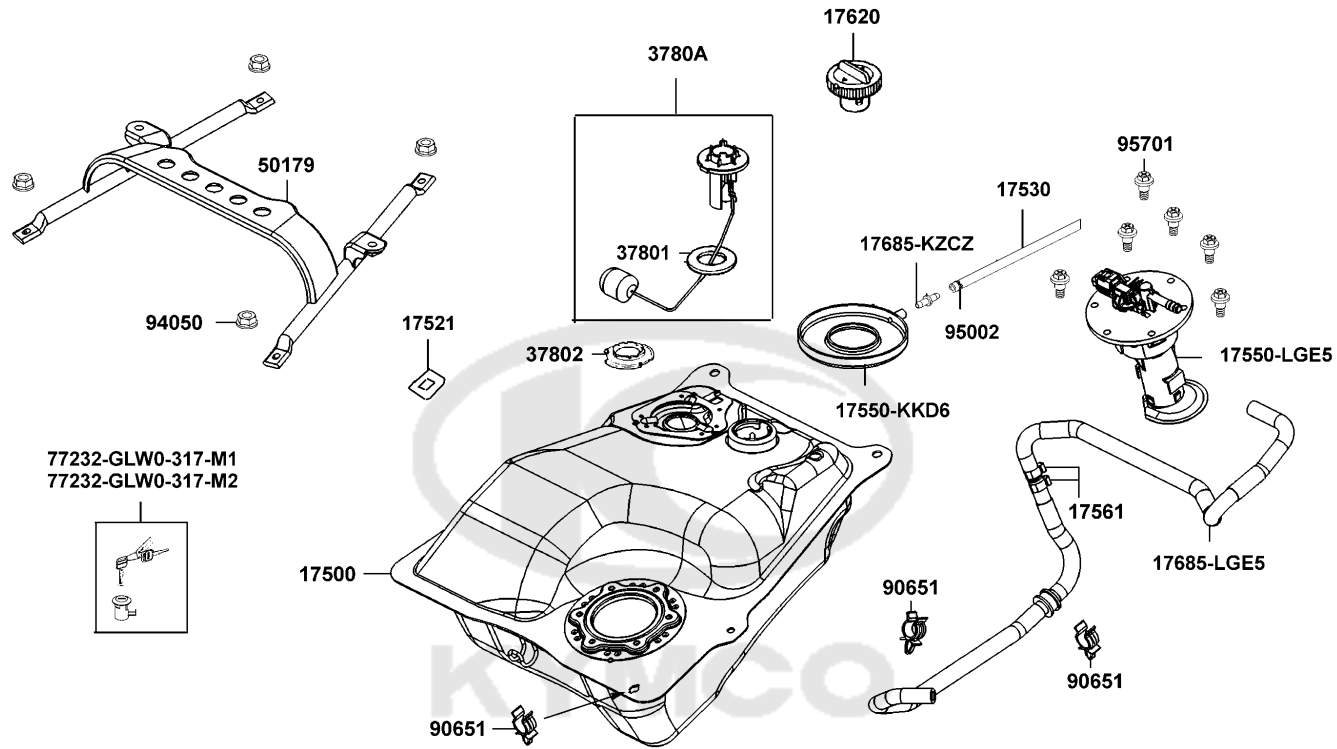


Sales mark	Ref no	Part no	Description	Reg description	Regd no	F09
**	77200	77200-LGE5-E00	SEAT. ASSY.	SEAT. ASSY.	1	
	77206	77206-KGBG-900	RUBBER SEAT CUSHION	RUBBER SEAT CUSHION	6	
	77300	77300-LGE5-E00	HINGE ASSY SEAT	HINGE ASSY SEAT	1	
	77303	77303-LAB4-900	HOOK SEAT LOCK	HOOK SEAT LOCK	1	
	89010	89010-LGE5-E00	TOOL SET	TOOL SET	1	
	94050	94050-06080	NUT FLANGE 6MM	NUT FLANGE 6MM	8	

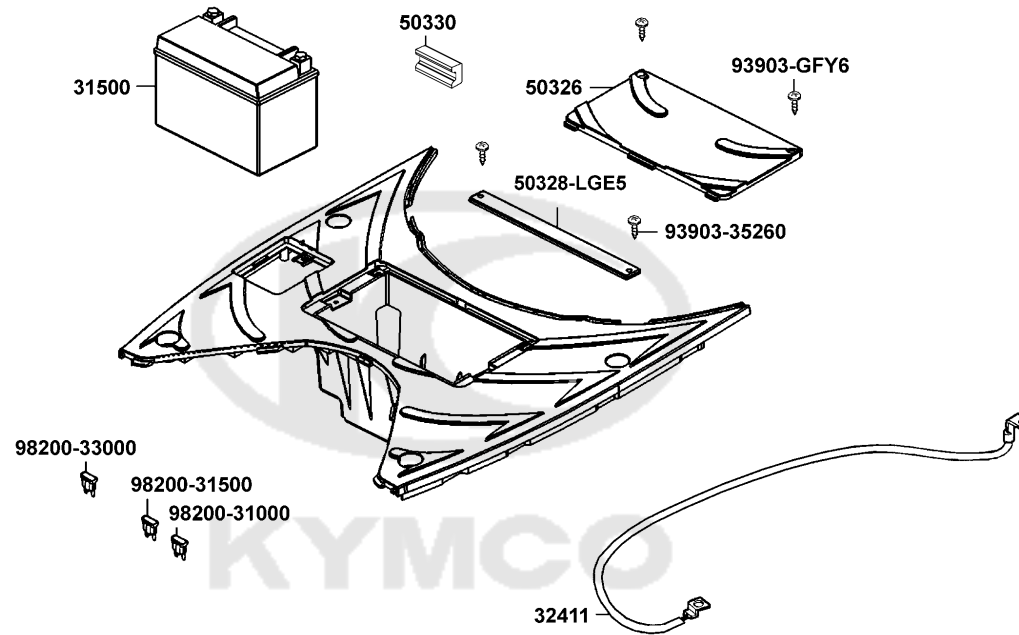


F10

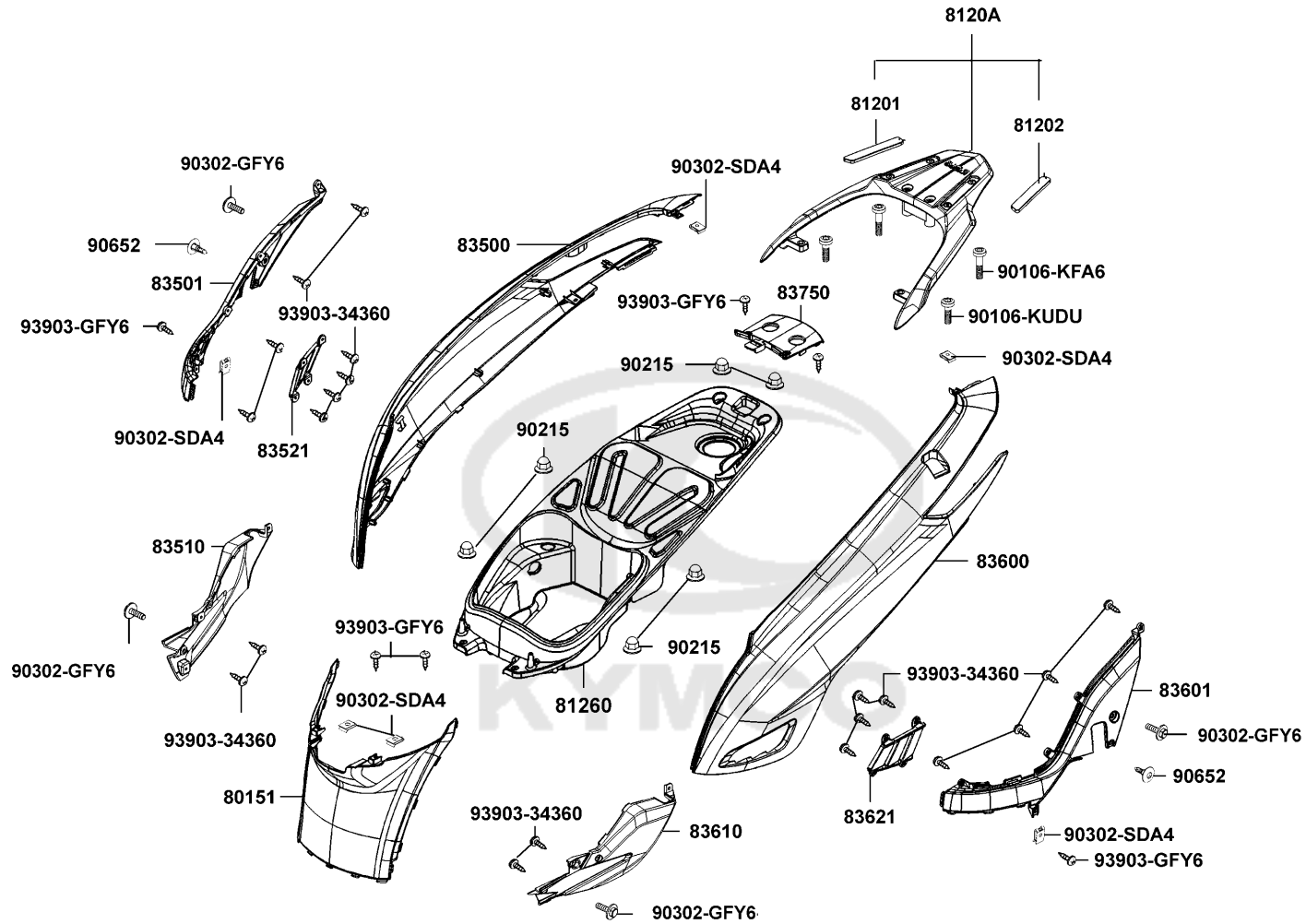
Fuel Tank



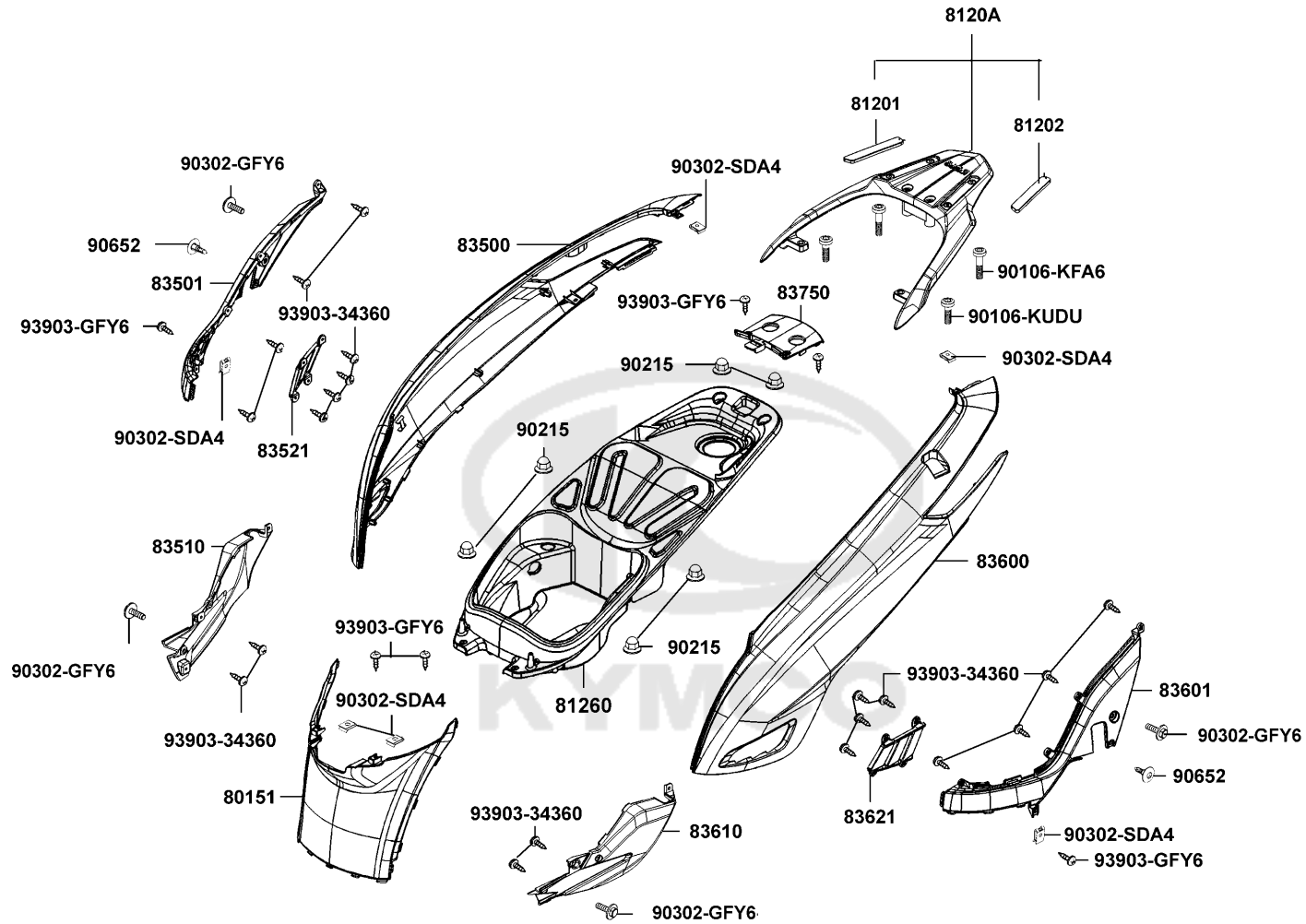
Sales mark	Ref no	Part no	Description	Reg description	Regd no	F10
17500		17500-LGE5-E00	TANK COMP FUEL	TANK COMP FUEL	1	
17521		17521-LGE5-E00	RUBBER FUEL TANK	RUBBER FUEL TANK	1	
17530		17530-LGE5-E00	TUBE ASSY FUEL DRAIN	TUBE ASSY FUEL DRAIN	1	
17550-KKD6		17550-KKD5-C10	TRAY FUEL CAP	TRAY FUEL CAP	1	
17550-LGE5		17550-LGE5-E00	FUEL PUMP ASSY	FUEL PUMP ASSY	1	
17561		17561-LGE5-E00	CLIP 13.5	CLIP 13.5	2	
17620		17620-GGS7-67A	CAP COMP FUEL FILLER	CAP COMP FUEL FILLER	1	
17685-KZCZ		17685-KZCZ-900	JOINT TUBE	JOINT TUBE	1	
17685-LGE5		17685-LGE5-E00	TUBE,FUEL PUMP	TUBE,FUEL PUMP	1	
37801		37801-GGA7-701	PACKING BASE	PACKING BASE	1	
37802		37802-GGA7-701	RET FUEL UNIT	RET FUEL UNIT	1	
3780A		3780A-LGE5-E00	FUEL UNIT ASSY	FUEL UNIT ASSY	1	
50179		50179-LGE5-E00	STAY FUEL TANK	STAY FUEL TANK	1	
77232-GLW0-317-M1	77232-GLW0-317-M1		LOCK ASSY FUEL LID	LOCK ASSY FUEL LID	1	
77232-GLW0-317-M2	77232-GLW0-317-M2		LOCK ASSY FUEL LID	LOCK ASSY FUEL LID	1	
90651		90651-LGE5-E00	CLIP FUEL TANK	CLIP FUEL TANK	3	
94050		94050-06060	NUT FLANGE 6MM	NUT FLANGE 6MM	4	
95002		95002-02080	CLIP B8 CHAMBER TUBE	CLIP B8 CHAMBER TUBE	1	
95701		95701-LDF2-800	BOLT FLANGE M5*6.5	BOLT FLANGE M5*6.5	6	



Sales mark	Ref no	Part no	Description	Reg description	Regd no	F11
	31500	31500-LEA6-900	BATTERY 12A-BS	BATTERY 12A-BS	1	
	31500	31500-LEA6-90B	BATTERY GT12A-BS	BATTERY GT12A-BS	1	
	32411	32411-LGE5-E00	CABLE BAT	CABLE BAT	1	
**	50326	50326-LGE5-E00	BATTERY COVER	BATTERY COVER	1	
**	50328-LGE5	50328-LGE5-E00	BAND BATTERY	BAND BATTERY	1	
	50330	50330-LAE9-E00	RUBBER BATTERY COVER	RUBBER BATTERY COVER	1	
	93903-35260	93903-35260	SCREW TAPPING 5*12	SCREW TAPPING 5*12	2	
	93903-GFY6	93903-GFY6-900	SCREW TAPP 4*14	SCREW TAPP 4*14	2	
	98200-31000	98200-31000	BLADE FUSE 10A	BLADE FUSE 10A	1	
	98200-31500	98200-31500	BLADE FUSE 15A	BLADE FUSE 15A	1	
	98200-33000	98200-33000	BLADE FUSE 30A	BLADE FUSE 30A	1	



Sales mark	Ref no	Part no	Description	Reg description	Regd no	F12
**	80151	80151-LGE5-E00	COVER CENTER	COVER CENTER	1	
**	81201	81201-LGE5-E00	COVER R CARRIER	COVER R CARRIER	1	
**	81202	81202-LGE5-E00	COVER L CARRIER	COVER L CARRIER	1	
**	8120A	8120A-LGE5-E00	CARRIER REAR ASSY	CARRIER REAR ASSY	1	
	81260	81260-LGE5-E00	BOX ASSY LUGGAGE	BOX ASSY LUGGAGE	1	
**	83500	83500-LGE5-E00	COVER R BODY	COVER R BODY	1	
**	83501	83501-LGE5-E00	COVER R SIDE	COVER R SIDE	1	
**	83510	83510-LGE5-E00	MOLDING R SIDE	MOLDING R SIDE	1	
**	83521	83521-LGE5-E00	GRID R SIDE COVER	GRID R SIDE COVER	1	
**	83600	83600-LGE5-E00	COVER L BODY	COVER L BODY	1	
**	83601	83601-LGE5-E00	COVER L SIDE	COVER L SIDE	1	
**	83610	83610-LGE5-E00	MOLDING L SIDE	MOLDING L SIDE	1	
**	83621	83621-LGE5-E00	GRID L SIDE COVER	GRID L SIDE COVER	1	
**	83750	83750-LGE5-E00	COVER RR CENTER	COVER RR CENTER	1	
	90106-KFA6	90106-KFA6-900	BOLT WASH 8*75	BOLT WASH 8*75	2	
	90106-KUDU	90106-KUDU-900	BOLT SPECIAL 8*26	BOLT SPECIAL 8*26	2	
	90215	90215-KKC4-900	NUT CAP 6MM	NUT CAP 6MM	6	
	90302-GFY6	90302-GFY6-940	BOLT WASHER 5*16	BOLT WASHER 5*16	4	
	90302-SDA4	90302-SDA4-004	NUT SPRING 4MM	NUT SPRING 4MM	6	
	90652	90652-LFB5-900	CLIP MUDGUARD	CLIP MUDGUARD	2	



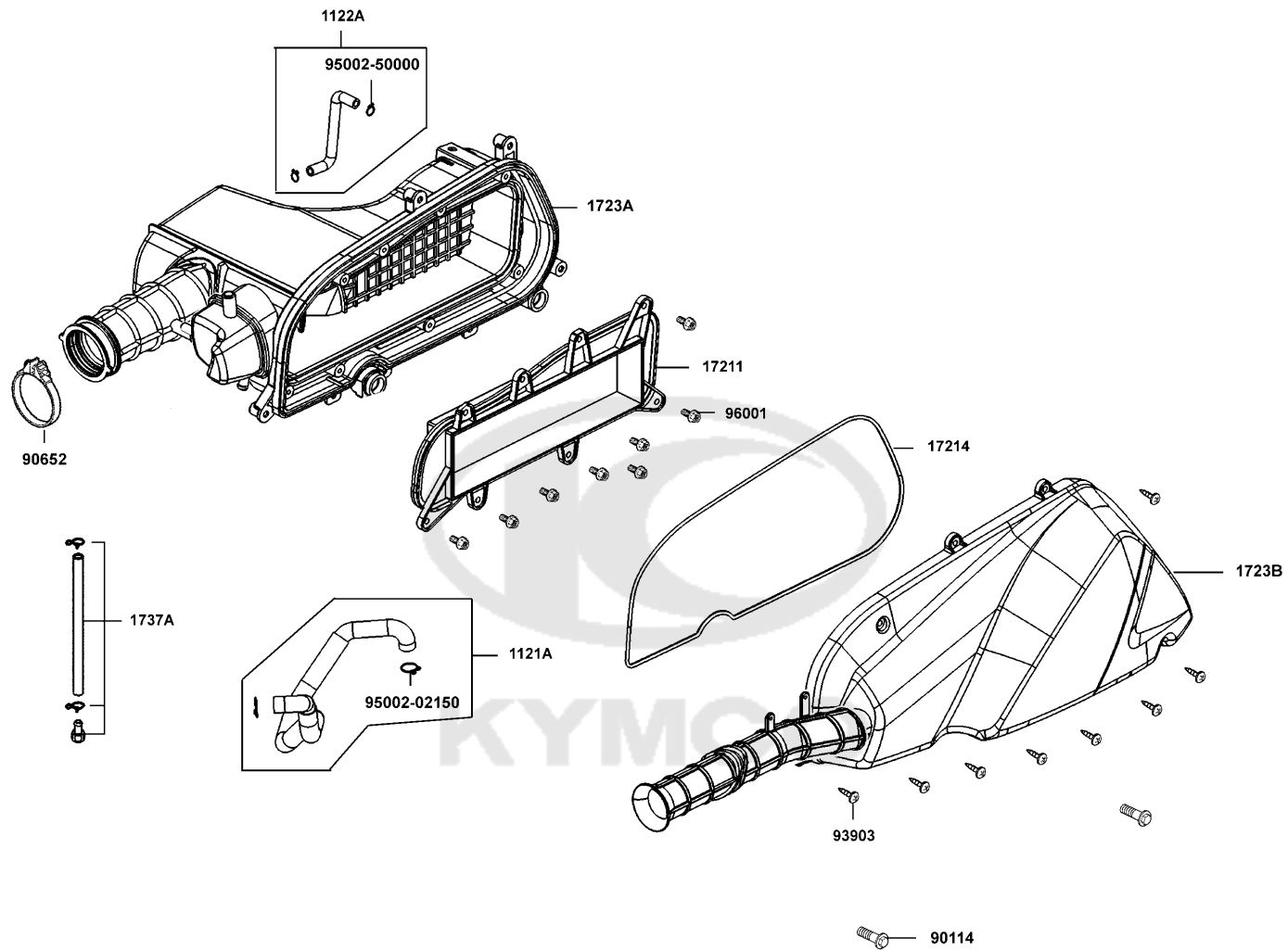
Sales mark	Ref no	Part no	Description	Reg description	Regd no	F12
------------	--------	---------	-------------	-----------------	---------	------------

93903-34360	93903-34360	93903-34360	SCREW TAPPING 4*12	SCREW TAPPING 4*12	20	
93903-GFY6	93903-GFY6	93903-GFY6-900	SCREW TAPP 4*14	SCREW TAPP 4*14	6	

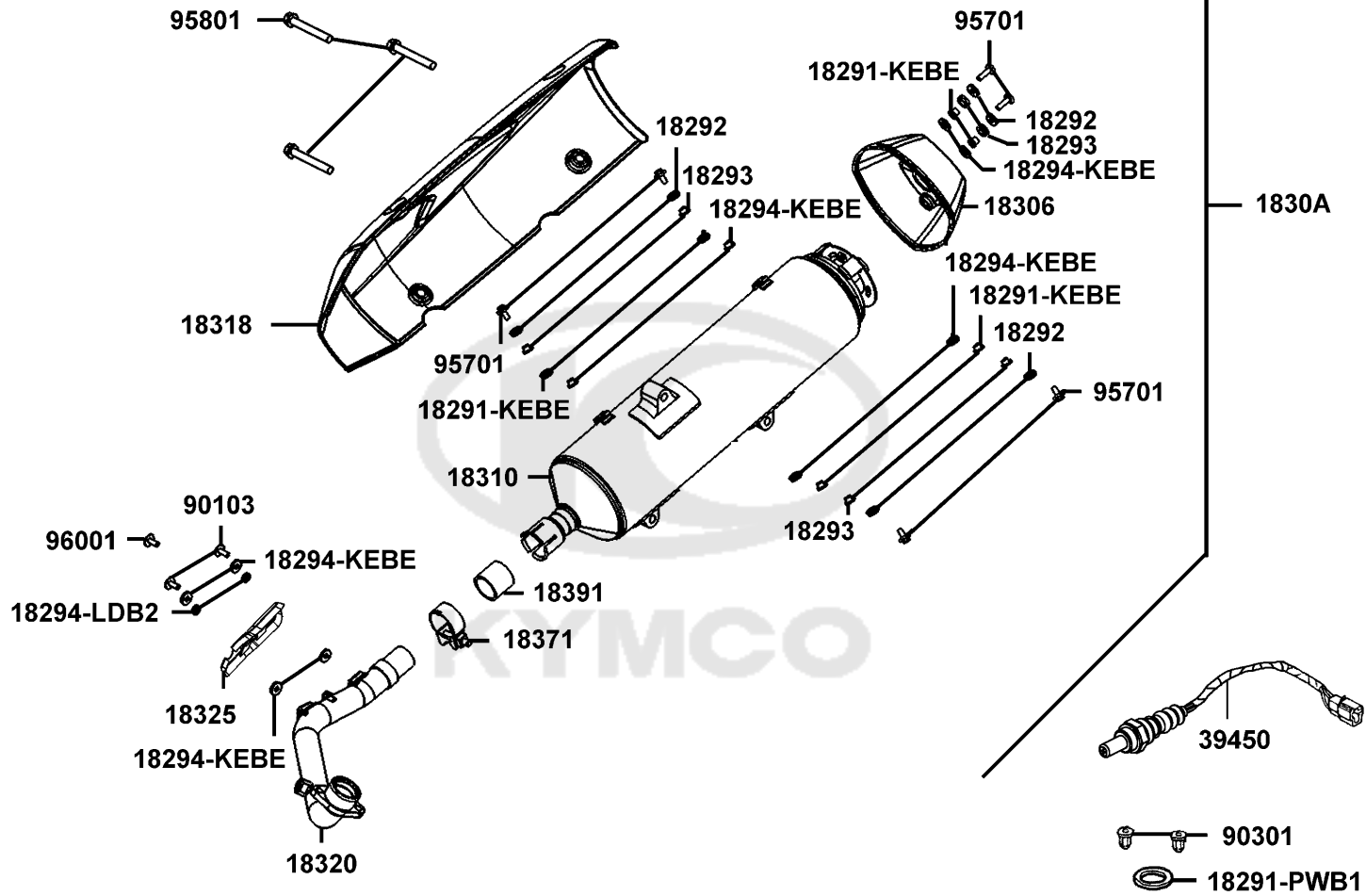


F13

Air Cleaner



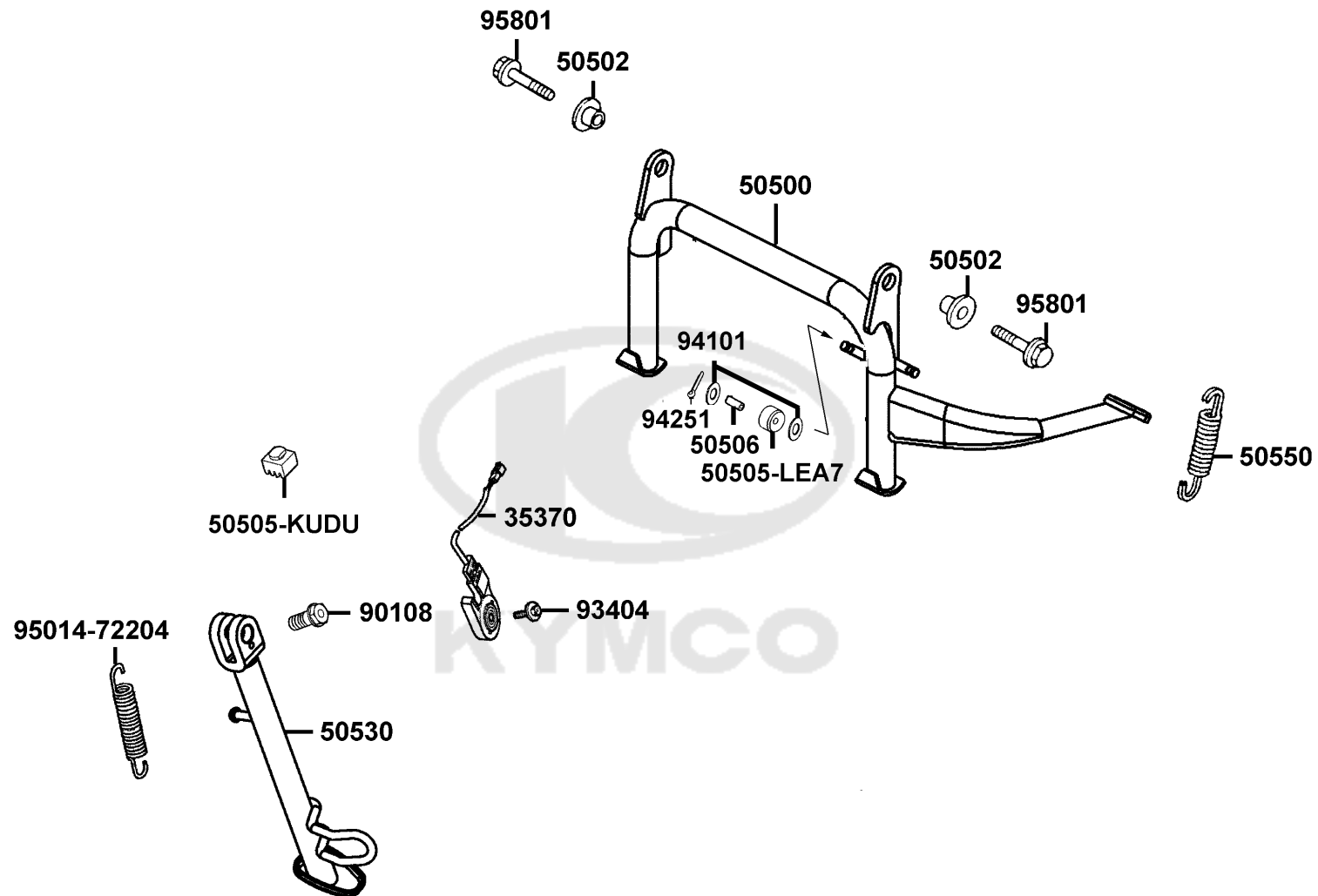
Sales mark	Ref no	Part no	Description	Reg description	Regd no	F13
1121A		1121A-LEA7-E00	TUBE BREATHER	TUBE BREATHER	1	
1122A		1122A-LEA7-E00	TUBE ASSY BREATHER	TUBE ASSY BREATHER	1	
17211		17211-LGE5-E00	ELEMENT AIR/C	ELEMENT AIR/C	1	
17214		17214-LDB2-E00	SEAL CASE	SEAL CASE	1	
1723A		1723A-LGE5-E00	CASE COMP AIR/C	CASE COMP AIR/C	1	
1723B		1723B-LGE5-E00	COVER AIR/C	COVER AIR/C	1	
1737A		1737A-KUDU-900	V TUBE ASSY	V TUBE ASSY	1	
90114		90114-GDM4-011	BOLT FLANGE SH 6*28	BOLT FLANGE SH 6*28	2	
90652		90652-33G00-E00	CLAMP	CLAMP	1	
93903		93903-25460	SCREW TAPPING 5*20	SCREW TAPPING 5*20	8	
95002-02150		95002-02150	CLIP B14.5 TUBE	CLIP B14.5 TUBE	2	
95002-50000		95002-50000	CLIP C9 TUBE	CLIP C9 TUBE	2	
96001		96001-LAB4-900	BOLT SPECIAL 5*16	BOLT SPECIAL 5*16	8	



Sales mark	Ref no	Part no	Description	Reg description	Regd no	F14
	18291-KEBE	18291-KEBE-900	COLLAR	COLLAR	8	
	18291-PWB1	18291-PWB1-900	SEAL EXHAUST PIPE	SEAL EXHAUST PIPE	1	
	18292	18292-KEBE-900	PACKING PROTECTOR	PACKING PROTECTOR	8	
	18293	18293-KEBE-900	RUBBER PKG PROTECTOR	RUBBER PKG PROTECTOR	8	
	18294-KEBE	18294-KEBE-900	PACKING PROTECTOR	PACKING PROTECTOR	12	
	18294-LDB2	18294-LDB2-900	PACKING INNER PROTECTOR	PACKING INNER PROTECTOR	2	
**	18306	18306-LGE5-E00	TAIL CAP MUFFLER	TAIL CAP MUFFLER	1	
**	1830A	1830A-LGE5-E00	MUFFLER ASSY EXH	MUFFLER ASSY EXH	1	
	18310	18310-LGE5-E00	MUFFLER COMP.	MUFFLER COMP.	1	
**	18318	18318-LGE5-E00	PROTECTOR MUFFLER	PROTECTOR MUFFLER	1	
	18320	18320-LGE5-E00	PIPE EXHAUST	PIPE EXHAUST	1	
**	18325	18325-LGE5-E00	PROTECTOR EXHAUST	PROTECTOR EXHAUST	1	
	18371	18371-LEA7-E00	BAND MUFFLER	BAND MUFFLER	1	
	18391	18391-LEA7-E00	GASKET	GASKET	1	
	39450	39450-LDF2-800	O2 SENSOR	O2 SENSOR	1	
	96001	90101-LEA7-E00	BOLT FLANGE	BOLT FLANGE	1	
	90103	90103-LEA7-E00	BOLT FLANGE SH 6X16	BOLT FLANGE SH 6X16	2	
	90301	90301-GFY6-901	NUT (HEX) CAP 8MM	NUT (HEX) CAP 8MM	2	
	95701	95701-06022-06	BOLT FLANGE 6*22	BOLT FLANGE 6*22	4	
	95801	95801-10055-06	BOLT FLANGE 10*55	BOLT FLANGE 10*55	3	

F15

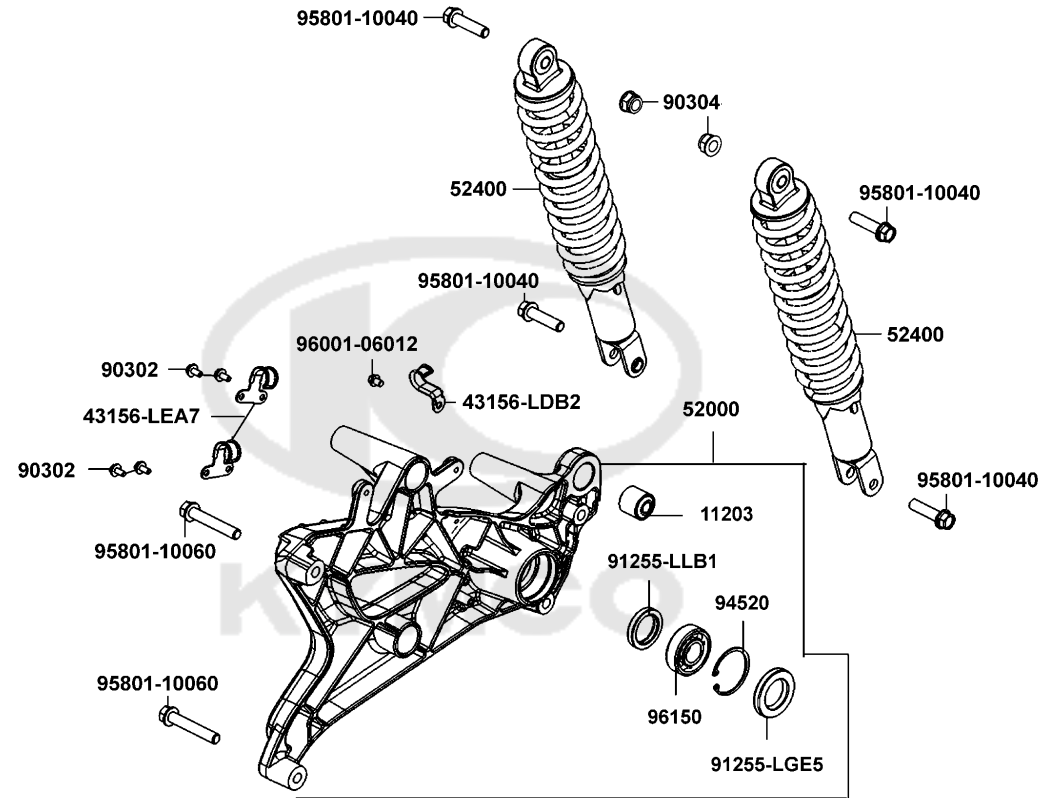
Stand



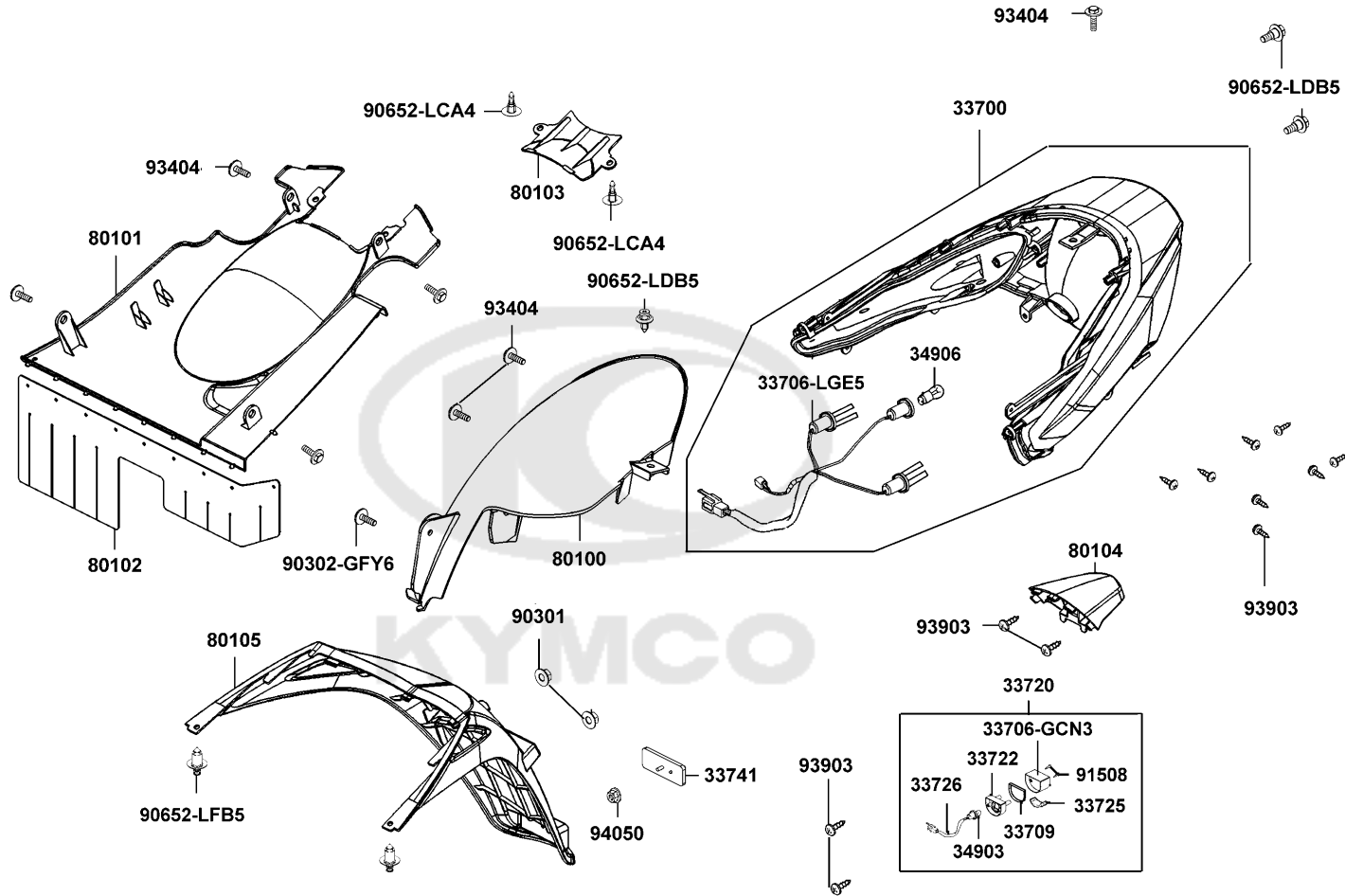
Sales mark	Ref no	Part no	Description	Reg description	Regd no	F15
35370		35370-LLJ3-E00	SW UNIT SIDE STAND	SW UNIT SIDE STAND	1	
50500		50500-LGE5-E00	STAND COMP ,MAIN	STAND COMP ,MAIN	1	
50502		50502-GFY6-901	COLLAR MAIN STAND	COLLAR MAIN STAND	2	
50505-KUDU		50505-KUDU-900	STOPPER RUBBER STAND	STOPPER RUBBER STAND	1	
50505-LEA7		50505-LEA7-E00	STOPPER RUBBER	STOPPER RUBBER	1	
50506		50506-KHE7-E00	COLLAR STOPPER RUBBER	COLLAR STOPPER RUBBER	1	
50530		50530-LGE5-E00	STAND COMP SIDE	STAND COMP SIDE	1	
50550		50550-KKC2-E00	SPRING ASSY MAIN STAND	SPRING ASSY MAIN STAND	1	
90108		90108-KKC4-900	SCREW SIDE STAND PIVOT	SCREW SIDE STAND PIVOT	1	
93404		93404-06016-06	BOLT WASHER 6*16	BOLT WASHER 6*16	1	
94101		94101-08800	WASHER PLAIN 8MM	WASHER PLAIN 8MM	2	
94251		94251-08400	PIN LOCK 8MM	PIN LOCK 8MM	1	
95014-72204		95014-72204	SPRING B1 SIDE STAND	SPRING B1 SIDE STAND	1	
95801		95801-10025-06	BOLT FLANGE 10*25	BOLT FLANGE 10*25	2	

F16

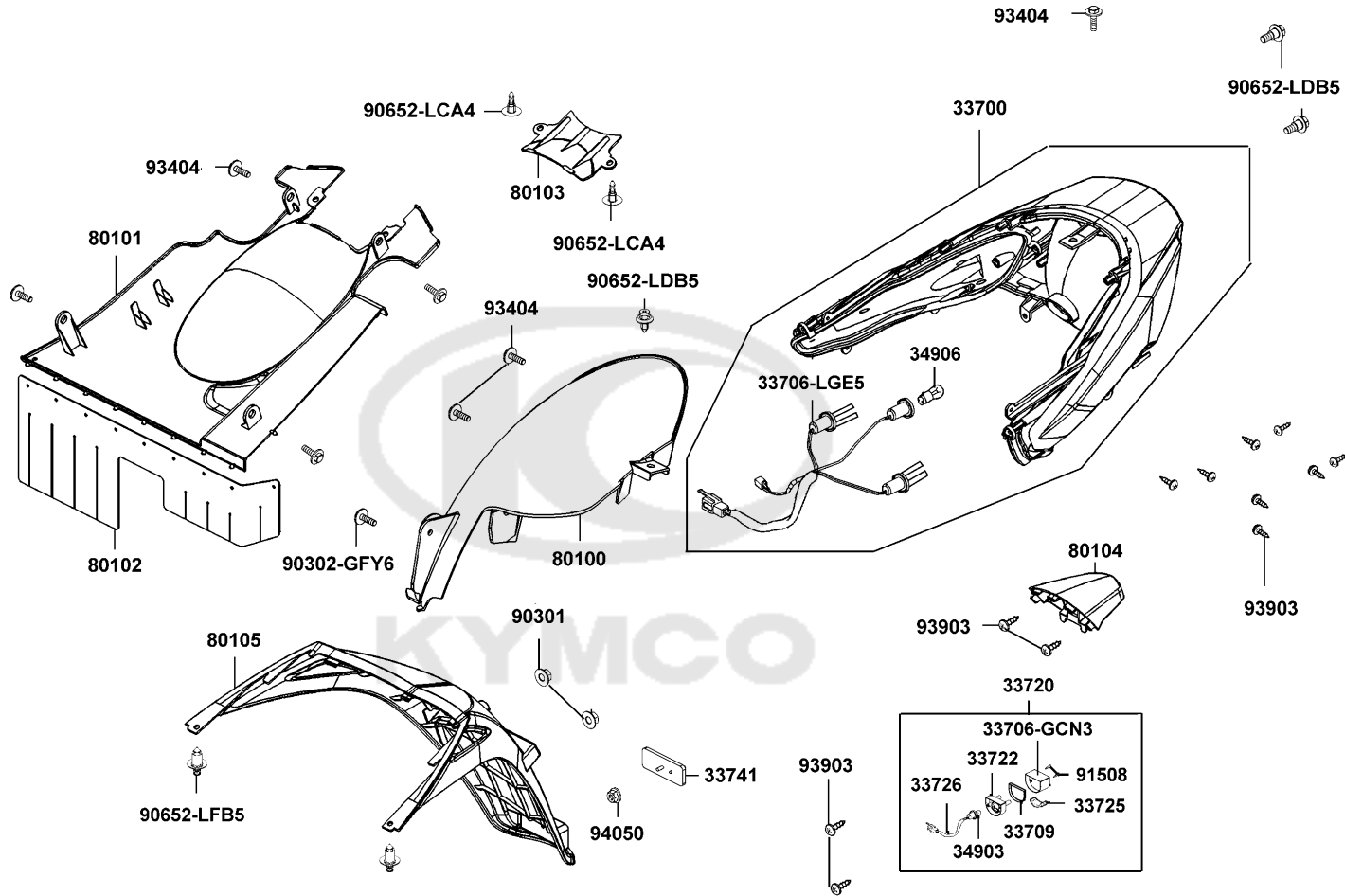
Rr Cushion



Sales mark	Ref no	Part no	Description	Reg description	Regd no	F16
	11203	11203-LBA2-E00	RUB BUSH L CASE	RUB BUSH L CASE	1	
	43156-LDB2	43156-LDB2-900	CLAMPER HOSE RR	CLAMPER HOSE RR	1	
	43156-LEA7	43156-LEA7-E00	CLAMPER HOSE RR	CLAMPER HOSE RR	1	
**	52000	52000-LGE5-E00	FORK ASSY, RR	FORK ASSY, RR	1	
**	52400	52400-LGE5-E00	CUSHION ASSY. RR	CUSHION ASSY. RR	2	
	90302	90302-LLB1-E00	BOLT WASH 5*12	BOLT WASH 5*12	4	
	90304	90304-GHE8-004	NUT U 10MM	NUT U 10MM	2	
	91255-LGE5	91255-LGE5-E00	OIL SEAL 30*48*7	OIL SEAL 30*48*7	1	
	91255-LLB1	91255-LLB1-900	OIL SEAL 30*40*7	OIL SEAL 30*40*7	1	
	94520	94520-47000	CIR CLIP IN 47	CIR CLIP IN 47	1	
	95801-10040	95801-10040-02	BOLT FLANGE 10*40	BOLT FLANGE 10*40	4	
	95801-10060	95801-10060-06	BOLT FLANGE 10*60	BOLT FLANGE 10*60	2	
	96001-06012	96001-06012-06	BOLT FLANGE SH6*12	BOLT FLANGE SH6*12	1	
	96150	96150-62040-10	BEARING BALL RADIAL 6204	BEARING BALL RADIAL 6204	1	



Sales mark	Ref no	Part no	Description	Reg description	Regd no	F17
	33700	33700-LGE5-E00	LIGHT ASSY RR COMB	LIGHT ASSY RR COMB	1	
	33706-GCN3	33706-GCN3-67A	COVER LICENSE	COVER LICENSE	1	
	33706-LGE5	33706-LGE5-E00	SOCKET COMP RR COMB	SOCKET COMP RR COMB	1	
	33709	33709-KBAB-003	PACKING LICENSE	PACKING LICENSE	1	
	33720	33720-LGE5-E00	LIGHT ASSY LICENSE	LIGHT ASSY LICENSE	1	
	33722	33722-KHB4-E00	BASE LICENSE	BASE LICENSE	1	
	33725	33725-KHB4-E00	LENS LICENSE	LENS LICENSE	1	
	33726	33726-LGE5-E00	SOCKET COMP	SOCKET COMP	1	
	33741	33741-KHC5-M00	REFLEX REFLECTOR	REFLEX REFLECTOR	1	
	34903	34903-KPCP-900	BULB POSITION	BULB POSITION	1	
	34906	34906-KPCP-900	BULB TAIL & STOP 12V21W/5W	BULB TAIL & STOP 12V21W/5W	1	
**	80100	80100-LGE5-E00	FENDER RR TIRE	FENDER RR TIRE	1	
**	80101	80101-LGE5-E00	FENDER RR INNER	FENDER RR INNER	1	
	80102	80102-LGE5-E00	PLATE SPLASH BOARD	PLATE SPLASH BOARD	1	
**	80103	80103-LGE5-E00	LID MAINT TAIL LIGHT	LID MAINT TAIL LIGHT	1	
**	80104	80104-LGE5-E00	COVER LIGHT ASSY LICENSE	COVER LIGHT ASSY LICENSE	1	
**	80105	80105-LGE5-E00	FENDER RR	FENDER RR	1	
	90301	90301-6D34-671	NUT FLANGE 6MM	NUT FLANGE 6MM	2	
	90302-GFY6	90302-GFY6-901	BOLT WASH 5*12	BOLT WASH 5*12	2	
	90652-LCA4	90652-LCA4-E00	CLIP MUDGUARD	CLIP MUDGUARD	2	



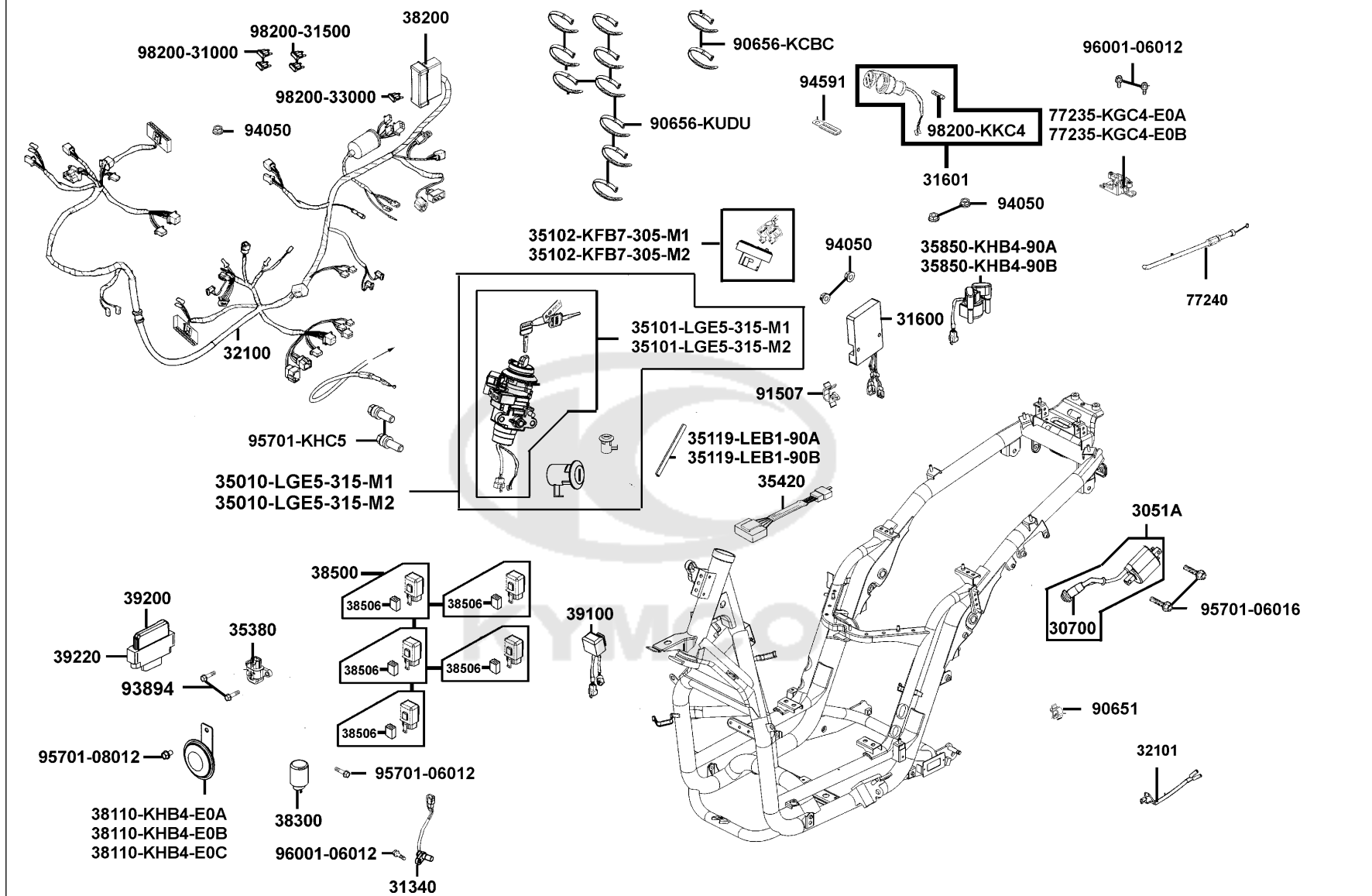
Sales mark	Ref no	Part no	Description	Reg description	Regd no	F17
------------	--------	---------	-------------	-----------------	---------	------------

90652-LFB5		90652-LFB5-900	CLIP MUDGUARD	CLIP MUDGUARD	2	
91508		91508-KGV7-67A	SCREW TAPPING 4*14	SCREW TAPPING 4*14	2	
93404		93404-06012-06	BOLT WASHER 6*12	BOLT WASHER 6*12	7	
93903		93903-34360	SCREW TAPPING 4*12	SCREW TAPPING 4*12	12	
94050		94050-05080	NUT FLANGE 5MM	NUT FLANGE 5MM	1	



F18

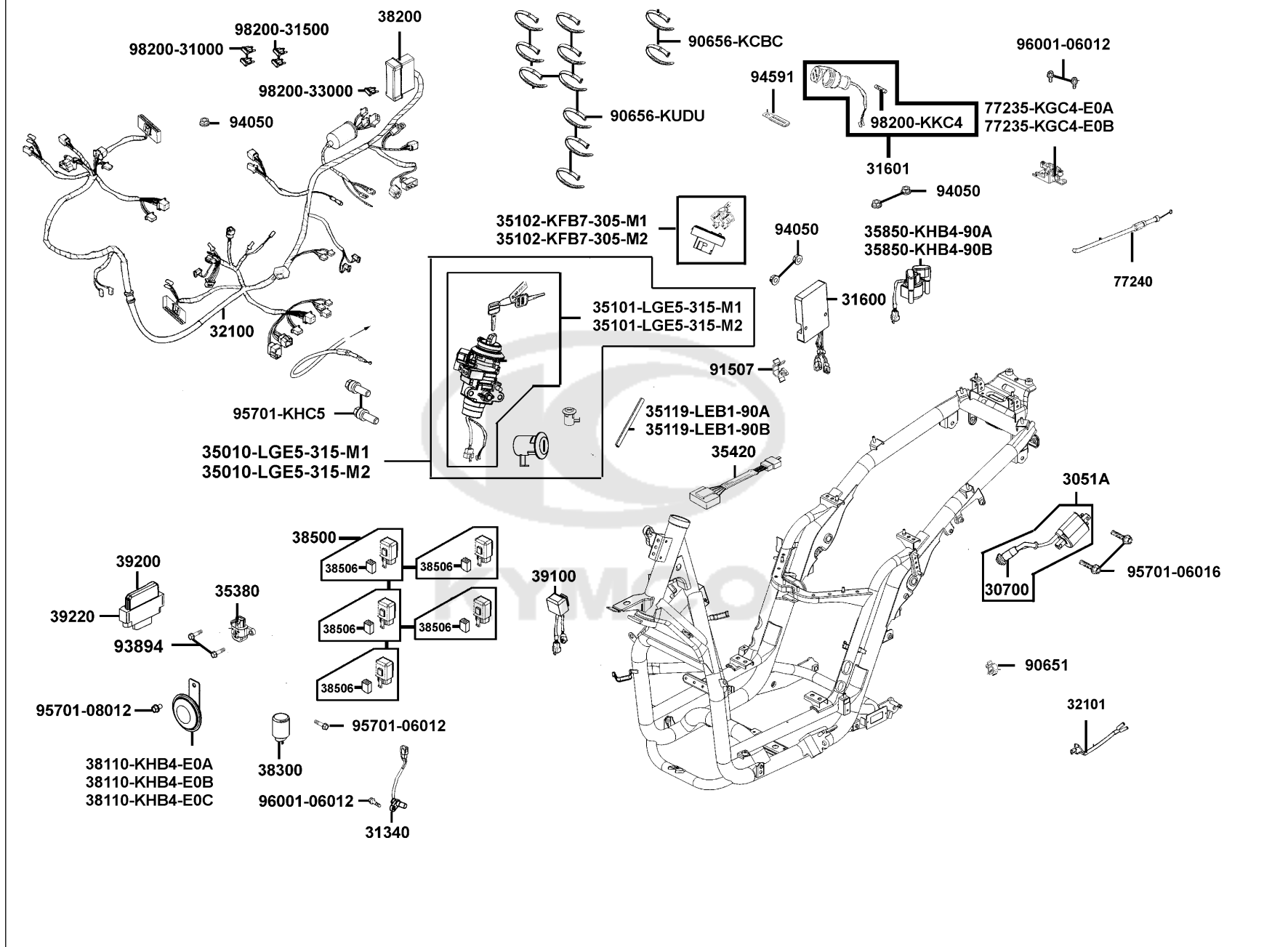
Harness Wire



Sales mark	Ref no	Part no	Description	Reg description	Regd no	F18
	3051A	3051A-LGE5-E00	COIL ASSY..IGNITION	COIL ASSY..IGNITION	1	
	30700	30700-LFG1-E00	CAP ASSY NOISE SUPPRESOR	CAP ASSY NOISE SUPPRESOR	1	
	31340	31340-LFH1-E00	SENSOR RR WHEEL SPEED	SENSOR RR WHEEL SPEED	1	
	31600	31600-KED9-900	REG REC COMP	REG REC COMP	1	
	31601	31601-LBA2-E00	SOCKET COMP DC 12V	SOCKET COMP DC 12V	1	
	32100	32100-LGE5-E00	HARNESS WIRE	HARNESS WIRE	1	
	32101	32101-LGE5-E00	SUB CORD	SUB CORD	1	
	35010-LGE5-315-M1	35010-LGE5-315-M1	KEY ASSY(INCLUDE LOCK FUEL LID,	KEY ASSY(INCLUDE LOCK FUEL LID, LOCK	1	
	35010-LGE5-315-M2	35010-LGE5-315-M2	KEY ASSY(INCLUDE LOCK FUEL LID,	KEY ASSY(INCLUDE LOCK FUEL LID, LOCK	1	
	35101-LGE5-315-M1	35101-LGE5-315-M1	SW SET COMB LOCK	SW SET COMB LOCK	1	
	35101-LGE5-315-M2	35101-LGE5-315-M2	SW SET COMB LOCK	SW SET COMB LOCK	1	
	35102-KFB7-305-M1	35102-KFB7-305-M1	SHUTTER MAGNETIC LOCK SET	SHUTTER MAGNETIC LOCK SET	1	
	35102-KFB7-305-M2	35102-KFB7-305-M2	SHUTTER MAGNETIC LOCK SET	SHUTTER MAGNETIC LOCK SET	1	
	35119-LEB1-90A	35119-LEB1-90A	COVER SEAT CABLE	COVER SEAT CABLE	1	
	35119-LEB1-90B	35119-LEB1-90B	COVER SEAT CABLE	COVER SEAT CABLE	1	
	35380	35380-LDF2-900	SENSOR ANGLE DETECT	SENSOR ANGLE DETECT	1	
	35420	35420-LEA7-E00	CONTROLLER OIL LAMP	CONTROLLER OIL LAMP	1	
	35850-KHB4-90A	35850-KHB4-90A	SET START MAG	SET START MAG	1	
	35850-KHB4-90B	35850-KHB4-90B	SET START MAG	SET START MAG	1	
	38110-KHB4-E0A	38110-KHB4-E0A	HORN COMP	HORN COMP	1	

F18

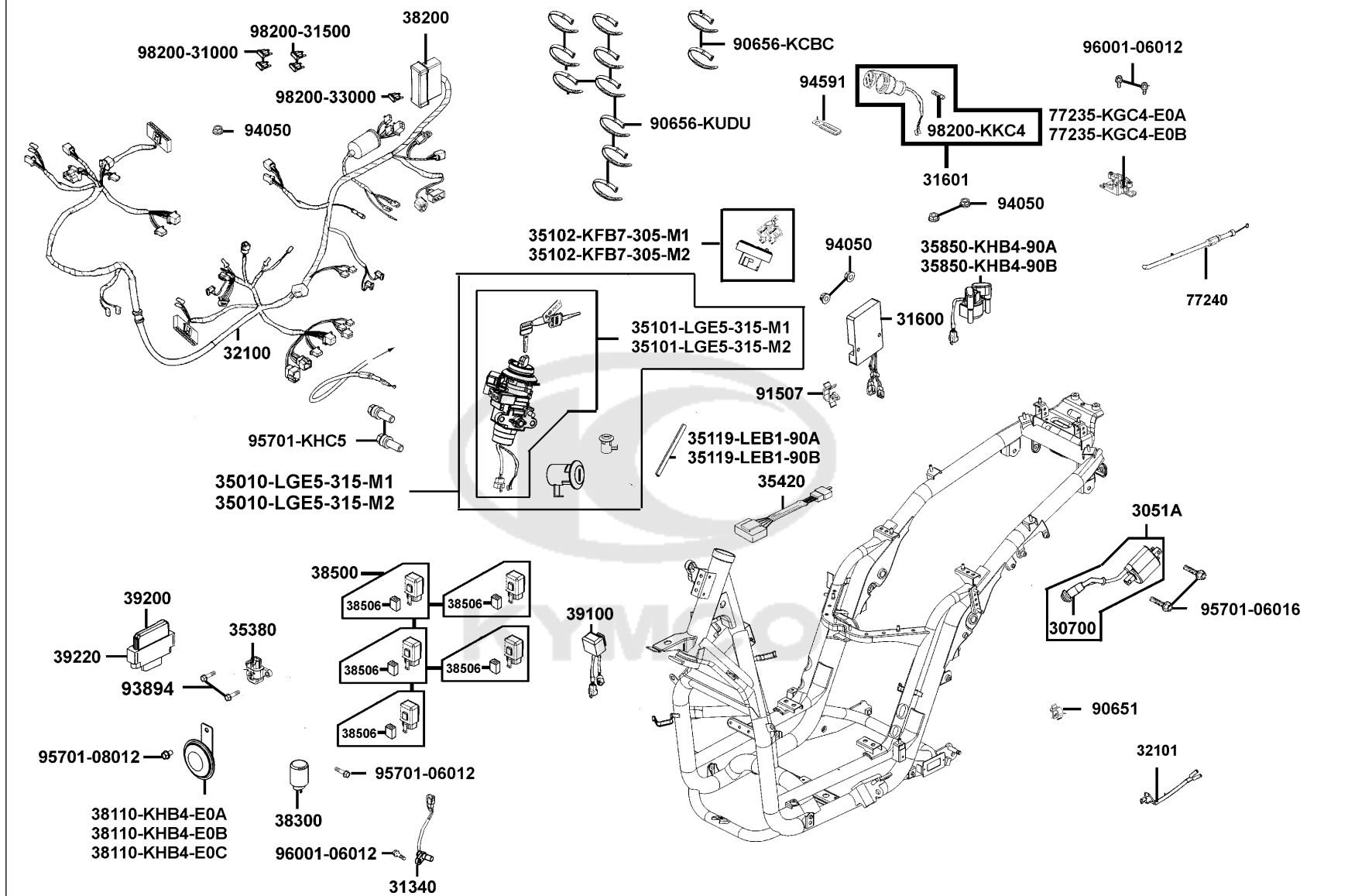
Harness Wire



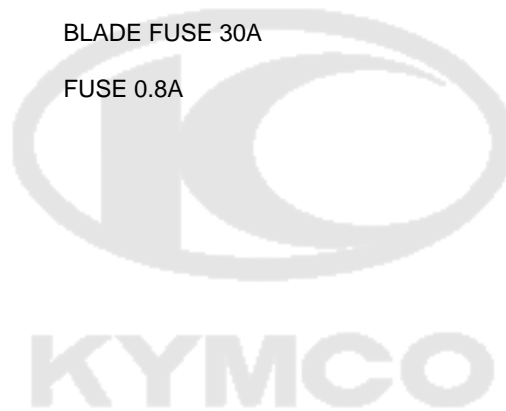
Sales mark	Ref no	Part no	Description	Reg description	Regd no	F18
	38110-KHB4-E0B	38110-KHB4-E0B	HORN COMP	HORN COMP	1	
	38110-KHB4-E0C	38110-KHB4-E0C	HORN COMP	HORN COMP	1	
	38200	38200-KHE7-900	BOX COMP FUSE	BOX COMP FUSE	1	
	38300	38300-LCB4-900	RELAY COMP WINKER	RELAY COMP WINKER	1	
	38500	38500-LGL3-90A	RELAY ASSY LIGHT/D402	RELAY ASSY LIGHT/D402	1	
	38500	38500-LGL3-90D	RELAY COMP. START	RELAY COMP. START	1	
	38506	38506-KHD8-900	CUSHION START RELAY	CUSHION START RELAY	5	
	39100	39100-KKE5-E01	EMI FILTER MOTOR	EMI FILTER MOTOR	1	
	39200	39200-LGE5-E00	ECU UNIT	ECU UNIT	1	
	39220	39220-LDF2-900	CUSHION CASE ECU	CUSHION CASE ECU	1	
	77235-KGC4-E0A	77235-KGC4-E0A	SEAT CATCH	SEAT CATCH	1	
	77235-KGC4-E0B	77235-KGC4-E0B	SEAT CATCH	SEAT CATCH	1	
	77240	77240-LGE5-E00	CABLE COMP SEAT LOCK	CABLE COMP SEAT LOCK	1	
	90651	90651-LEA2-900	CLIP TUBE	CLIP TUBE	1	
	90656-KCBC	90656-KCBC-900	BAND OIL HANDLE	BAND OIL HANDLE	2	
**	90656-KUDU	90656-KUDU-900	BAND HARNESS WIRE	BAND HARNESS WIRE	9	
	91507	91507-LEA7-E00	CLIP	CLIP	1	
	93894	93894-04022-08	SCREW WASHER 4*22	SCREW WASHER 4*22	2	
	94050	94050-06080	NUT FLANGE 6MM	NUT FLANGE 6MM	5	
	94591	94591-KFBF-900	CLIP 2*70	CLIP 2*70	1	

F18

Harness Wire

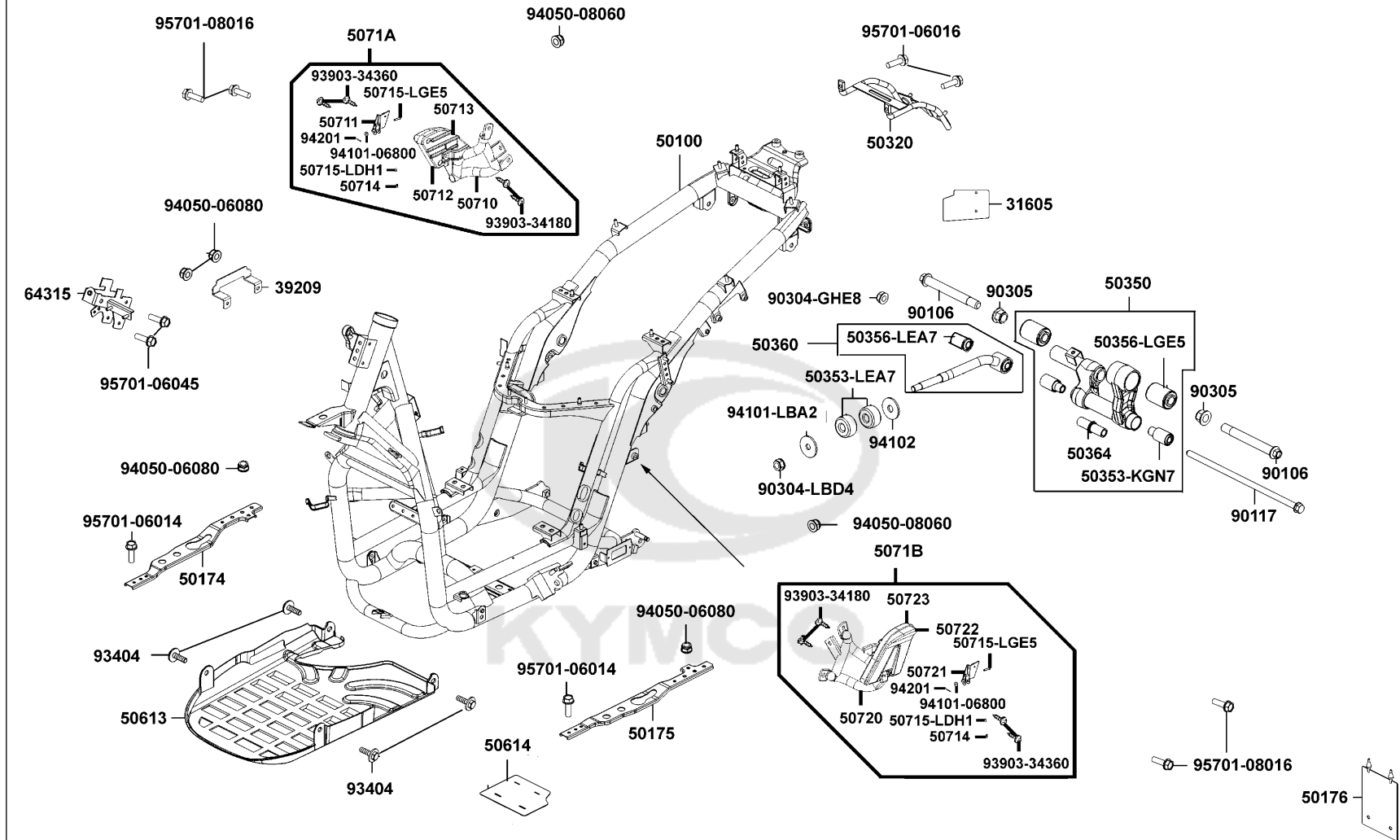


Sales mark	Ref no	Part no	Description	Reg description	Regd no	F18
	95701-06012	95701-06012-06	BOLT FLANGE 6*12	BOLT FLANGE 6*12	1	
	95701-06016	95701-06016-06	BOLT FLANGE 6*16	BOLT FLANGE 6*16	2	
	95701-08012	95701-08012-08	BOLT FLANGE 8X12	BOLT FLANGE 8X12	1	
	95701-KHC5	95701-KHC5-E00	BOLT TORQUE 8*25	BOLT TORQUE 8*25	2	
	96001-06012	96001-06012-06	BOLT FLANGE SH6*12	BOLT FLANGE SH6*12	3	
	98200-31000	98200-31000	BLADE FUSE 10A	BLADE FUSE 10A	2	
	98200-31500	98200-31500	BLADE FUSE 15A	BLADE FUSE 15A	2	
	98200-33000	98200-33000	BLADE FUSE 30A	BLADE FUSE 30A	1	
	98200-KKC4	98200-KKC4-900	FUSE 0.8A	FUSE 0.8A	1	



F19

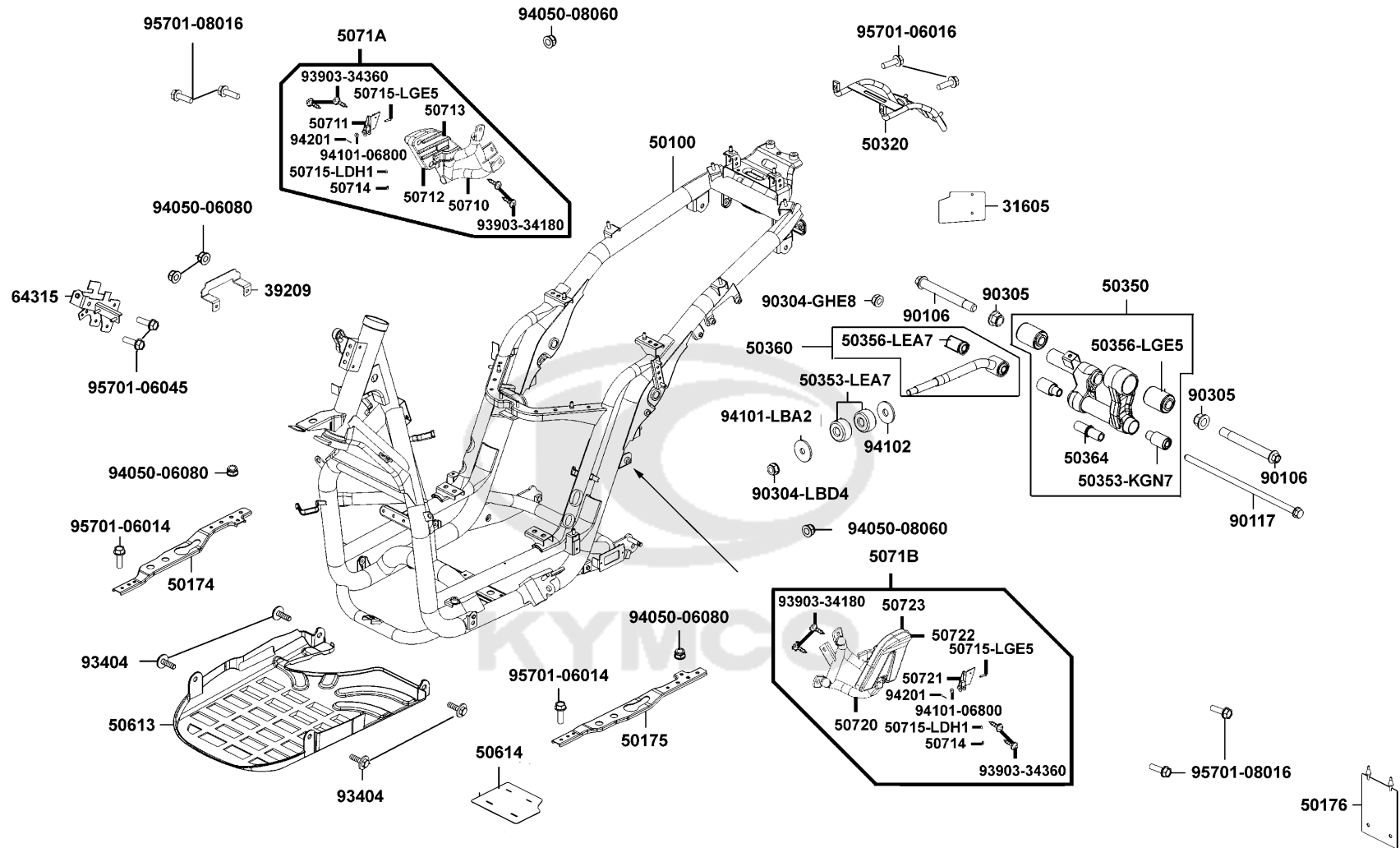
Frame Body



Sales mark	Ref no	Part no	Description	Reg description	Regd no	F19
	31605	31605-LGE5-E00	STAY REG REC COMP	STAY REG REC COMP	1	
	39209	39209-LEA7-E00	STAY ECU	STAY ECU	1	
	50100	50100-LGE5-E00	BODY COMP.. FRAME	BODY COMP.. FRAME	1	
	50174	50174-LGE5-E00	STAY R FLOOR PANEL	STAY R FLOOR PANEL	1	
	50175	50175-LGE5-E00	STAY L FLOOR PANEL	STAY L FLOOR PANEL	1	
	50176	50176-LGE5-E00	PLATE FRAME GUARD	PLATE FRAME GUARD	1	
	50320	50320-LGE5-E00	STAY RR FENDER	STAY RR FENDER	1	
	50350	50350-LGE5-E00	HANGER ASSY. ENG	HANGER ASSY. ENG	1	
	50353-KGN7	50353-KGN7-901	BUSH A ENG HANGER	BUSH A ENG HANGER	2	
	50353-LEA7	50353-LEA7-E00	RUBBER STOPPER	RUBBER STOPPER	2	
	50356-LEA7	50356-LEA7-E01	RUB BUSH ENG HANGER	RUB BUSH ENG HANGER	1	
	50356-LGE5	50356-LGE5-E00	BUSH.OUTER. ENG HANGER	BUSH.OUTER. ENG HANGER	2	
	50360	50360-LGE5-E00	TIE ROD ASSY ENG HANGER	TIE ROD ASSY ENG HANGER	1	
	50364	50364-KHE7-E00	COLLAR B ENG HANGER	COLLAR B ENG HANGER	1	
**	50613	50613-LGE5-E00	COVER UNDER	COVER UNDER	1	
	50614	50614-LGE5-E00	PLATE UNDER COVER	PLATE UNDER COVER	1	
	50710	50710-LGE5-E00	BAR R RR STEP	BAR R RR STEP	1	
	50711	50711-LGE5-E00	STAY R RR STEP	STAY R RR STEP	1	
**	50712	50712-LGE5-E00	COVER R RR STEP	COVER R RR STEP	1	
	50713	50713-LGE5-E00	RUBBER R RR STEP	RUBBER R RR STEP	1	

F19

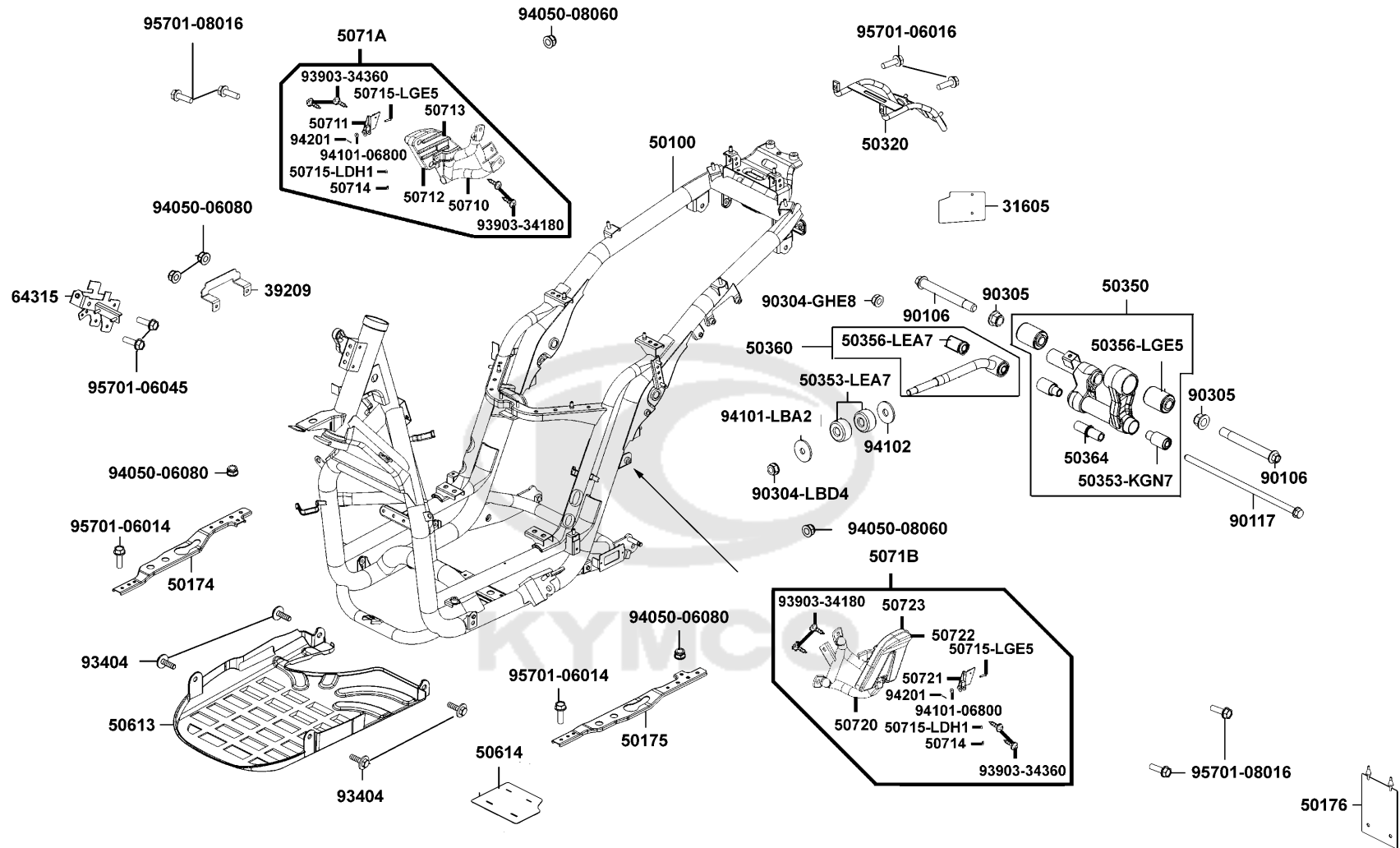
Frame Body



Sales mark	Ref no	Part no	Description	Reg description	Regd no	F19
	50714	50714-LGE5-E00	PIN LOCK	PIN LOCK	2	
	50715-LDH1	50715-LDH1-E00	SPRING	SPRING	2	
	50715-LGE5	50715-LGE5-E00	PIN RR STEP	PIN RR STEP	2	
**	5071A	5071A-LGE5-E00	BAR R ASSY RR STEP	BAR R ASSY RR STEP	1	
**	5071B	5071B-LGE5-E00	BAR L ASSY RR STEP	BAR L ASSY RR STEP	1	
	50720	50720-LGE5-E00	BAR L RR STEP	BAR L RR STEP	1	
	50721	50721-LGE5-E00	STAY L RR STEP	STAY L RR STEP	1	
**	50722	50722-LGE5-E00	COVER L RR STEP	COVER L RR STEP	1	
	50723	50723-LGE5-E00	RUBBER L RR STEP	RUBBER L RR STEP	1	
	64315	64315-LGE5-E00	STAY A FR COVER	STAY A FR COVER	1	
	90106	90106-LEA7-E00	BOLT FLANGE 15*118	BOLT FLANGE 15*118	2	
	90117	90117-KED9-900	BOLT FLANGE 10*265	BOLT FLANGE 10*265	1	
	90304-GHE8	90304-GHE8-004	NUT U 10MM	NUT U 10MM	1	
	90304-LBD4	90304-LBD4-900	NUT U FLANGE 10MM	NUT U FLANGE 10MM	1	
	90305	90305-LBD4-900	NUT U 14MM	NUT U 14MM	2	
	93404	93404-06012-06	BOLT WASHER 6*12	BOLT WASHER 6*12	4	
	93903-34180	93903-34180	SCREW TAPPING 4*8	SCREW TAPPING 4*8	4	
	93903-34360	93903-34360	SCREW TAPPING 4*12	SCREW TAPPING 4*12	4	
	94050-06080	94050-06080	NUT FLANGE 6MM	NUT FLANGE 6MM	4	
	94050-08060	94050-08060	NUT FLANGE 8MM	NUT FLANGE 8MM	2	

F19

Frame Body

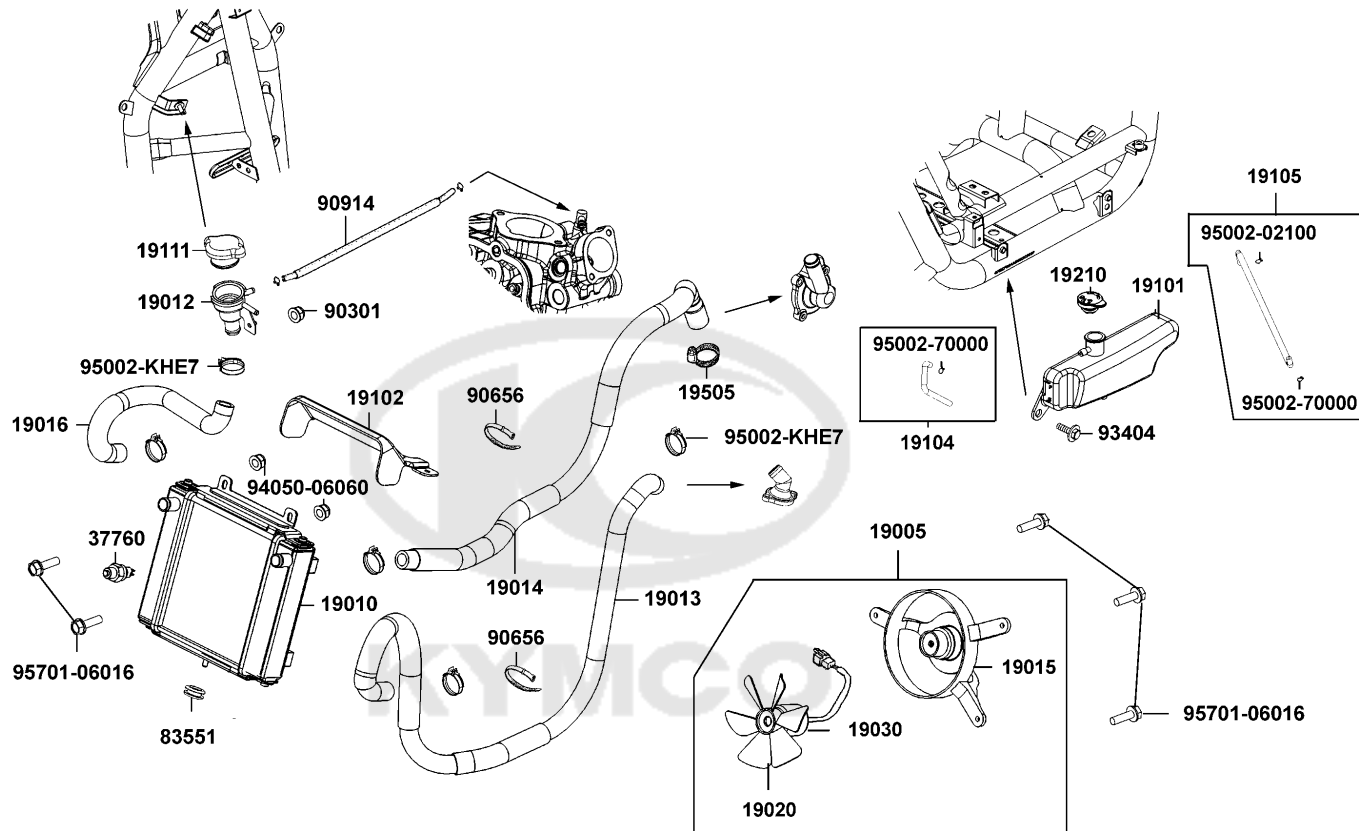


Sales mark	Ref no	Part no	Description	Reg description	Regd no	F19
	94101-06800	94101-06800	WASHER PLAIN 6MM	WASHER PLAIN 6MM	2	
	94101-LBA2	94101-LBA2-E00	WASHER PLAIN 10.5*38*3.0	WASHER PLAIN 10.5*38*3.0	1	
	94102	94102-LBA2-E00	WASHER PLAIN 38*12.5*3	WASHER PLAIN 38*12.5*3	1	
	94201	94201-16120	PIN SPLIT 1.6*12	PIN SPLIT 1.6*12	2	
	95701-06014	95701-06014-06	BOLT FLANGE 6*14 (G)	BOLT FLANGE 6*14 (G)	2	
	95701-06016	95701-06016-06	BOLT FLANGE 6*16	BOLT FLANGE 6*16	2	
	95701-06045	95701-06045-06	BOLT FLANGE 6*45	BOLT FLANGE 6*45	2	
	95701-08016	95701-08016-06	BOLT FLANGE 8*16	BOLT FLANGE 8*16	4	

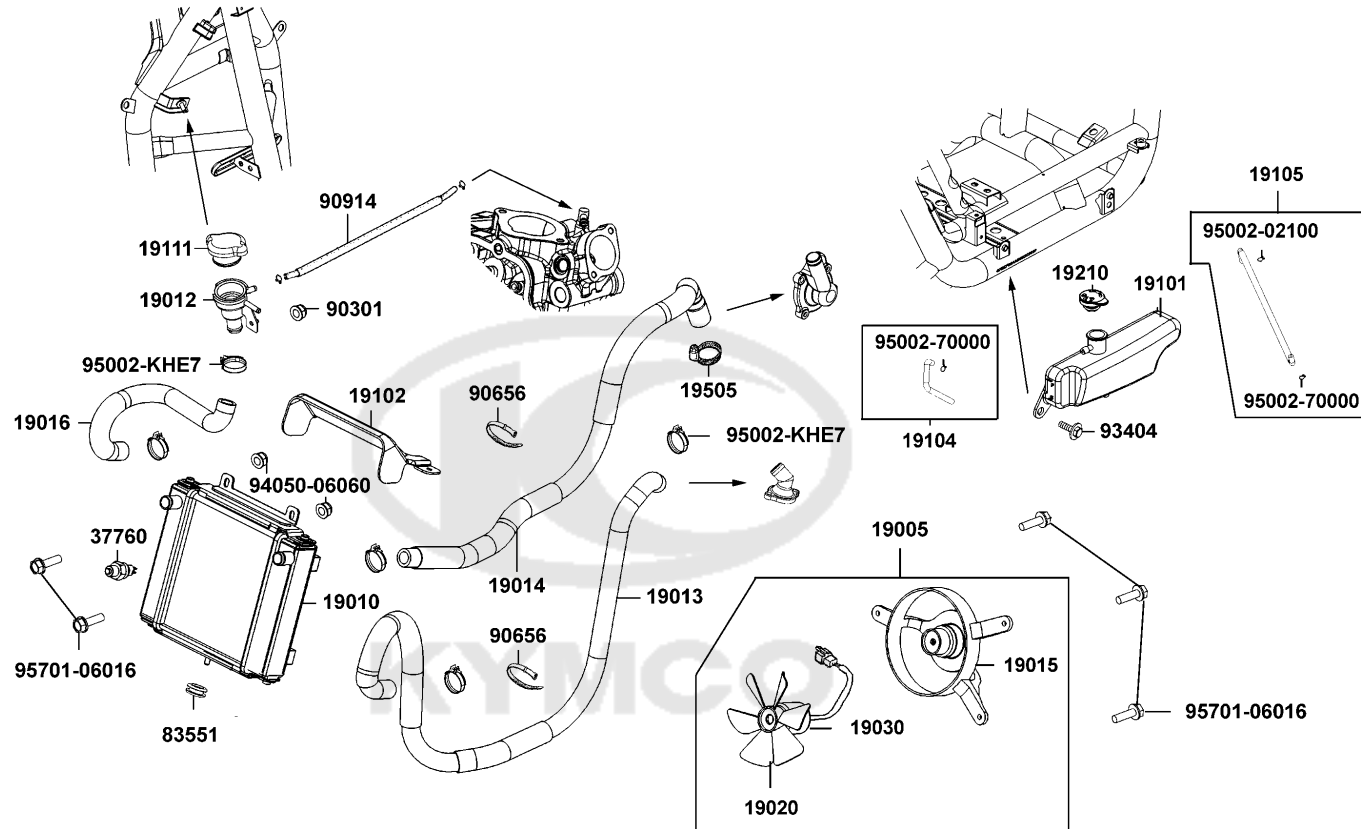


F20

Radiator



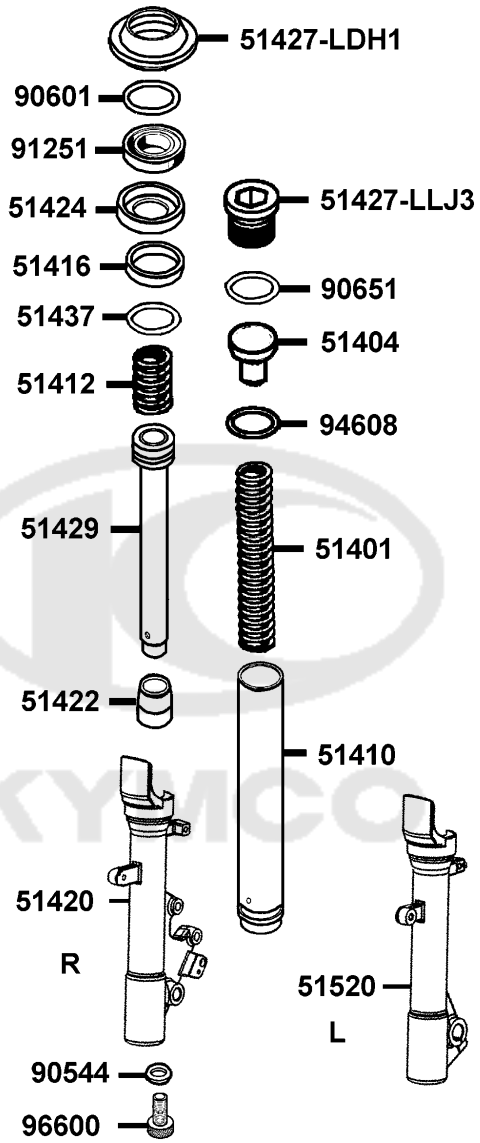
Sales mark	Ref no	Part no	Description	Reg description	Regd no	F20
	19005	19005-LFA7-E00	SHROUD ASSY	SHROUD ASSY	1	
	19010	19010-LGE5-E00	RADIATOR COMP	RADIATOR COMP	1	
	19012	19012-KHD8-900	UNIT RADIATOR	UNIT RADIATOR	1	
	19013	19013-LGE5-E00	HOSE WATER INLET	HOSE WATER INLET	1	
	19014	19014-LGE5-E00	HOSE,WATER OUTLET	HOSE,WATER OUTLET	1	
	19015	19015-LEA5-E00	SHROUD COMP	SHROUD COMP	1	
	19016	19016-LGE5-E00	HOSE WATER UNIT CAP	HOSE WATER UNIT CAP	1	
	19020	19020-KED9-900	FAN COOLING	FAN COOLING	1	
	19030	19030-KHD8-900	MOTOR ASSY FAN	MOTOR ASSY FAN	1	
	19101	19101-LGE5-E00	TANK RESERVE	TANK RESERVE	1	
**	19102	19102-LGE5-E00	SHROUD RADIATOR	SHROUD RADIATOR	1	
	19104	19104-LGE5-E00	HOSE RESERVE TANK	HOSE RESERVE TANK	1	
	19105	19105-LGE5-E00	HOSE ASSY RESERVE TANK TO WATER	HOSE ASSY RESERVE TANK TO WATER	1	
	19111	19111-GBE2-004	CAP COMP	CAP COMP	1	
	19210	19210-KKC4-900	CAP RESERVE TANK	CAP RESERVE TANK	1	
	19505	19505-LBA2-E00	CLAMP WATER HOSE	CLAMP WATER HOSE	1	
	37760	37760-KHD8-900	SW ASSY THERMO	SW ASSY THERMO	1	
	83551	83551-KEC8-900	GROMMET COVER	GROMMET COVER	1	
	90301	90301-6D34-671	NUT FLANGE 6MM	NUT FLANGE 6MM	1	
**	90656	90656-KUDU-900	BAND HARNESS WIRE	BAND HARNESS WIRE	2	



Sales mark	Ref no	Part no	Description	Reg description	Regd no	F20
	90914	90914-LGE5-E00	TUBE ASSY WATER	TUBE ASSY WATER	1	
	93404	93404-06012-06	BOLT WASHER 6*12	BOLT WASHER 6*12	1	
	94050-06060	94050-06060	NUT FLANGE 6MM	NUT FLANGE 6MM	2	
	95002-02100	95002-02100	CLIP B10 TUBE	CLIP B10 TUBE	1	
	95002-70000	95002-70000	CLIP C11 TUBE	CLIP C11 TUBE	2	
	95002-KHE7	95002-KHE7-900	CLIP WATER HOSE	CLIP WATER HOSE	5	
	95701-06016	95701-06016-06	BOLT FLANGE 6*16	BOLT FLANGE 6*16	5	



Separated Parts Of Fr Fork



Sales mark	Ref no	Part no	Description	Reg description	Regd no	F21
	51401	51401-LGE5-E00	SPRING	SPRING	2	
	51404	51404-LDH1-E00	SPRING COLLAR	SPRING COLLAR	2	
	51410	51410-LEA7-E00	FORK PIPE COMP	FORK PIPE COMP	2	
	51412	51412-LLJ3-E00	REBOUND SPRING	REBOUND SPRING	2	
	51416	51416-LDH1-E00	GUIDE BUSH	GUIDE BUSH	2	
**	51420	51420-LGE5-E00	BOTTOM CASE R	BOTTOM CASE R	1	
	51422	51422-KED9-900	OIL LOCK PIECE	OIL LOCK PIECE	2	
	51424	51424-LDH1-E00	SPACER	SPACER	2	
	51427-LDH1	51427-LDH1-E00	DUST SEAL	DUST SEAL	2	
	51427-LLJ3	51427-LLJ3-E00	FORK BOLT CAP	FORK BOLT CAP	2	
	51429	51429-LGE5-E00	PIPE SEAT COMP	PIPE SEAT COMP	2	
	51437	51437-LEA7-E00	PISTON RING	PISTON RING	2	
**	51520	51520-LGE5-E00	BOTTOM CASE L	BOTTOM CASE L	1	
	90544	90544-KEC8-900	PACKING	PACKING	2	
	90601	90601-LLJ3-E00	OIL SEAL STOPPER RING	OIL SEAL STOPPER RING	2	
	90651	90651-LLJ3-E00	STOPPER RING	STOPPER RING	2	
	91251	91251-LLJ3-E00	OIL SEAL	OIL SEAL	2	
	94608	94608-LLJ3-E00	O-RING	O-RING	2	
	96600	96600-LBA2-E00	BOCKET BOLT	BOCKET BOLT	2	

● Be sure to wear a safety helmet when riding.
 ● Do not exceed the speed specified by law when riding.
 ● The exhaust muffler temperature is very high after riding. Be sure to park the motorcycle in a place not easily touched by people.
 ● For riding safety and good performance, do not violate the law to modify the motorcycle.
 ● Please read the User's Manual carefully to ensure driving safety.

● Make sure to perform the periodic maintenance and periodic inspection.

Periodic Inspection Items

Brake Performance, tires, engine oil level, lights, horn, and instrument panel

KWANG YANG MOTOR CO., LTD.

87560

CAUTIONS

Never put any article between the rear side cover and the engine to avoid interference of riding.

GM9-300

87542

CAUTIONS

Before starting the engine, the side stand shall be kicked up to secure safety.

87541-GAR1

CAUTIONS

TIRE SIZE :FRONT 110/70-18	REAR 140/70-18
RINE RIDER :FRONT 1.75kg(4.0lb)	REAR 2.0 kg(4.4lb)
(PASSENGER) :FRONT 1.75kg(4.0lb)	REAR 2.25kg(5.0lb)
LOAD CAPACITY :SHIELD 1.5kg (3.3lb) CENTER 0.5kg (1.1lb)	
(AS PER KYMCO STANDARD SPECIFICATION)	
(NOTE: THE TIRE PRESSURE MUST NOT OVER PASS 2.30kg/cm ²)	

CHECK THE MOTOR OIL LEVEL WITH THE DIPSTICK AFTER REFILLING MOTOR OIL.

87505-LG05-100

87505

CAUTIONS

Every 5000 km run should exchange the filter.

KBC-E00

87512

CAUTION

Mobile phone charge only, Use other appliance may cause damage.

KKC2-E000

87541-KKC2

Sales mark	Ref no	Part no	Description	Reg description	Regd no	F22
**	87505	87505-LGE5-E00	LABEL TIRE	LABEL TIRE	1	
**	87512	87512-KEBE-E00	CAUTION FILTER	CAUTION FILTER	1	
**	87541-GAR1	87541-GAR1-E00	CAUTION SIDE STAND	CAUTION SIDE STAND	1	
**	87541-KKC2	87541-KKC2-E00	CAUTION MOBILE PHONE	CAUTION MOBILE PHONE	1	
**	87542	87542-GAR1-E00	MARK MAINT CAUTION	MARK MAINT CAUTION	1	
**	87560	87560-GFY6-E00	MARK DRIVE CAUTION	MARK DRIVE CAUTION	1	

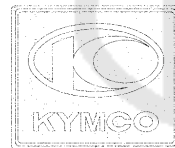




86202



87140



86102-LGE5

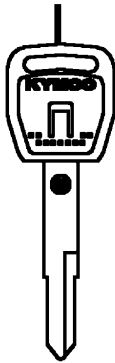


86102-LEA5

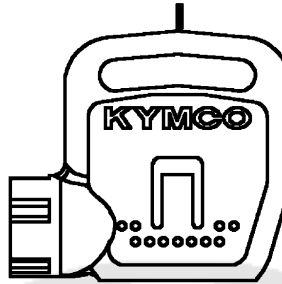
Sales mark	Ref no	Part no	Description	Reg description	Regd no	F23
**	86102-LEA5	86102-LEA5-E00	EMB K-LOGO 30MM	EMB K-LOGO 30MM	1	
**	86102-LEA5	86102-LEA5-E00	EMB K-LOGO 30MM	EMB K-LOGO 30MM	1	
**	86102-LGE5	86102-LGE5-E00	EMB K-LOGO 20mm	EMB K-LOGO 20mm	1	
**	86202	86202-LGE5-E00	EMB BODY COVER	EMB BODY COVER	2	
**	87140	87140-LGE5-E00	EMB MARK GTi300	EMB MARK GTi300	2	



35111-LDC1-305-M1



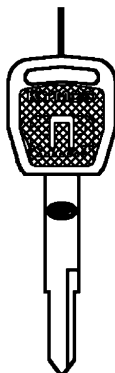
35111-LDC1-307-M1



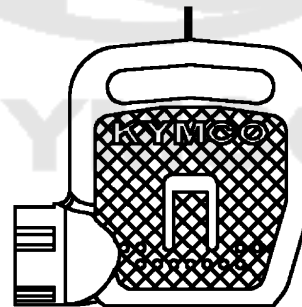
35111-LDC1-306-M2



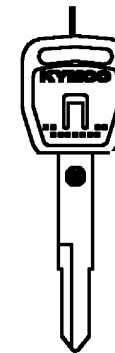
35111-LDC1-305-M2



35111-LDC1-307-M2



35111-LDC1-306-M1

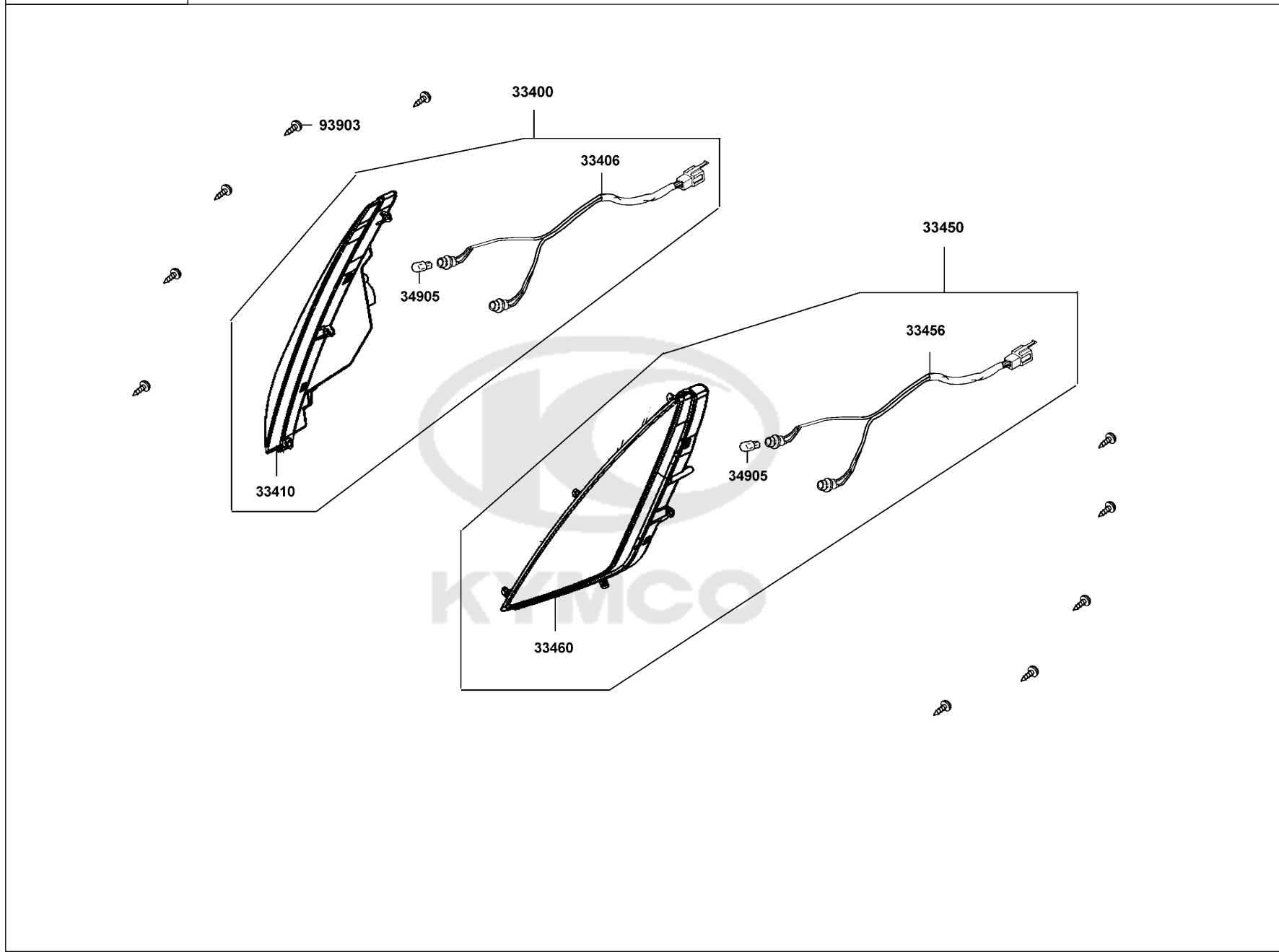


Sales mark	Ref no	Part no	Description	Reg description	Regd no	F24
	35111-LDC1-305-M1	35111-LDC1-305-M1	KEY COMP (R TANGENT PLANE/SD)	KEY COMP (R TANGENT PLANE/SD)	1	
	35111-LDC1-305-M2	35111-LDC1-305-M2	KEY COMP (R TANGENT PLANE/TJ)	KEY COMP (R TANGENT PLANE/TJ)	1	
	35111-LDC1-306-M1	35111-LDC1-306-M1	KEY COMP (L TANGENT PLANE/SD)	KEY COMP (L TANGENT PLANE/SD)	1	
	35111-LDC1-306-M2	35111-LDC1-306-M2	KEY COMP (L TANGENT PLANE/TJ)	KEY COMP (L TANGENT PLANE/TJ)	1	
	35111-LDC1-307-M1	35111-LDC1-307-M1	KEY COMP SHUTTER MAGNETIC (SD)	KEY COMP SHUTTER MAGNETIC (SD)	1	
	35111-LDC1-307-M2	35111-LDC1-307-M2	KEY COMP SHUTTER MAGNETIC (TJ)	KEY COMP SHUTTER MAGNETIC (TJ)	1	



F25

Winker Assy Rh/Lh Fr



Sales mark	Ref no	Part no	Description	Reg description	Regd no	F25
	33400	33400-LGE5-E00	WINKER ASSY RH FR	WINKER ASSY RH FR	1	
	33406	33406-LGE5-E00	SOCKET COMP R	SOCKET COMP R	1	
	33410	33410-LGE5-E00	UNIT R FR WINKER	UNIT R FR WINKER	1	
	33450	33450-LGE5-E00	WINKER ASSY LH FR	WINKER ASSY LH FR	1	
	33456	33456-LGE5-E00	SOCKET COMP L	SOCKET COMP L	1	
	33460	33460-LGE5-E00	UNIT L FR WINKER	UNIT L FR WINKER	1	
	34905	34905-LCA5-E00	BULB WINKER	BULB WINKER	2	
	93903	93903-34360	SCREW TAPPING 4*12	SCREW TAPPING 4*12	10	



PART NO. INDEX

PART NO.	VERSION	PAGE	PART NO.	VERSION	PAGE	PART NO.	VERSION	PAGE
			1110A-LEA7-E05	0	E01	12391-LEA7-E00	5	E02
			11203-LBA2-E00	2	E01			
			11203-LBA2-E00	2	F16	13000		
			1121A-LEA7-E00	3	F13			
0901-880-6000	0	E05	1122A-LEA7-E00	2	E01	13000-LEA7-E00	21	E03
0901-911-6000	0	E05	1122A-LEA7-E00	2	F13	13011-LEA7-E00	2	E03
			11330-LEA7-305	1	E04	13101-LEA7-E00	9	E03
			11330-LEA7-E00	13	E04	13111-LEA7-E00	2	E03
1034-KAE0-7700	0	E05	11340-LEA7-E00	0	E01	13314-LEA7-E0A	3	E01
1190-C74-2000	0	E05	11340-LEA7-E01	2	E01	13314-LEA7-E0B	3	E01
1190-C75-2000	0	E05	11341-LEA7-E01	1	E01	13314-LEA7-E0C	3	E01
1614-868-0000	0	E05	11347-LEA7-E00	3	E06	13406-LGE5-E00	0	E02
1614-906-0002	0	E05	1134A-LGE5-E00	3	E01			
			11350-LEA7-E00	2	E01	14000		
			11394-LEA7-305	3	E04			
			11394-LEA7-E00	9	E04	14100-LEA7-E00	12	E02
3700-A35B-0100	0	E05	11395-LEA7-E00	2	E01	14321-LEA7-E00	6	E02
						14401-PWB1-900	2	E03
			12000			14420-LEA7-E00	2	E02
						14430-LEA7-E00	2	E02
4115-803-1100-3	0	E05	12100-LEA7-E00	7	E03	14452-LEA7-E00	4	E02
			12191-LEA7-E00	2	E03	14453-LEA7-E00	5	E02
			12200-LEA7-E00	15	E02	14510-LEA7-E00	5	E03
			12209-GDB4-68A	0	E02	14520-KED9-900	1	E03
11103-KHE7-900	0	E01	12251-LEA7-E00	4	E02	14523-GFY6-901	1	E03
1110A-LEA7-E00	8	E01	12310-LEA7-E00	5	E02	14531-KHE7-900	1	E03

PART NO. INDEX

PART NO.	VERSION	PAGE	PART NO.	VERSION	PAGE	PART NO.	VERSION	PAGE
14610-LEA7-E00	2	E03						
14711-LEA7-E00	5	E02	16000			18000		
14721-LEA7-E00	5	E02						
14751-LEA7-E00	6	E02	1610K-LGE5-E00	2	E05	18291-KEBE-900	0	F14
14761-LEA7-E00	3	E02	16201-LEA7-E00	1	E02	18291-KKC4-900	1	E01
14771-GDB4-680	2	E02	16211-LEA7-E00	2	E02	18291-PWB1-900	2	F14
14777-LBA2-E00	3	E02				18292-KEBE-900	0	F14
14781-MFA6-001	0	E02	17000			18293-KEBE-900	0	F14
15000			1711A-LEA7-E00	0	E02	18293-KKC4-900	0	E01
			17211-LGE5-E00	2	F13	18294-KEBE-900	0	F14
15100-LEA7-E00	7	E07	17214-LDB2-E00	1	F13	18294-LDB2-900	0	F14
15133-LEA7-E00	3	E07	1723A-LGE5-E00	4	F13	18306-LGE5-E00	2	F14
15133-LGF9-E00	1	E07	1723B-LGE5-E00	2	F13	1830A-LGE5-E00	8	F14
15141-LEA7-E00	1	E07	1737A-KUDU-900	0	F13	18310-LGE5-E00	6	F14
15141-LGF9-E00	1	E07	17500-LGE5-E00	4	F10	18318-LGE5-E00	1	F14
15161-PUA5-E00	5	E01	17521-LGE5-E00	1	F10	18320-LGE5-E00	1	F14
15200-KED9-900	7	E01	17530-LGE5-E00	1	F10	18325-LGE5-E00	0	F14
1541A-LEA7-E00	6	E04	17550-KKD5-C10	1	F10	18371-LEA7-E00	1	F14
15421-LEA7-305	1	E01	17550-LGE5-E00	1	F10	18391-LEA7-E00	2	F14
15421-LEA7-E00	0	E01	17561-LGE5-E00	1	F10	19000		
15421-LEA7-E05	5	E01	17620-GGS7-67A	5	F10			
15423-KKC3-900	1	E04	17685-KZCZ-900	0	F10	19005-LFA7-E00	2	F20
15437-LEA7-E00	1	E04	17685-LGE5-E00	4	F10	19010-LGE5-E00	2	F20
1565A-LGF9-E00	1	E04	17910-LGE5-E00	4	F03	19012-KHD8-900	4	F20
15711-LEA7-E00	1	E07	17911-LGE5-E00	6	F03	19013-LGE5-E00	3	F20

PART NO. INDEX

PART NO.	VERSION	PAGE	PART NO.	VERSION	PAGE	PART NO.	VERSION	PAGE
19014-LGE5-E00	5	E04				23100-LEA7-E01	2	E06
19014-LGE5-E00	5	F20	21000			23200-LGE5-E00	1	E06
19015-LEA5-E00	1	F20				23220-LGE5-E00	2	E06
19016-LGE5-E00	3	F20	21301-LEA7-E00	3	E08	23225-LEA7-E00	1	E06
19020-KED9-900	1	F20	21395-LEA7-E00	2	E08	23226-LEA7-E00	1	E06
19030-KHD8-900	2	F20				23233-LEA7-E00	5	E06
19101-LGE5-E00	2	F20	22000			23237-KHE7-900	0	E06
19102-LGE5-E00	2	F20				23238-KHE7-900	0	E06
19104-LGE5-E00	1	F20	22100-LEA7-E00	5	E06	23411-LEA7-E00	9	E08
19105-LGE5-E00	2	F20	22102-LEA7-E00	4	E06	23420-LGE5-E00	0	E08
19111-GBE2-004	1	F20	22105-LGF9-E00	2	E06	23431-LEA7-E00	5	E08
19210-KKC4-900	0	F20	22110-LGE5-E00	2	E06	23432-LGE5-E00	0	E08
19215-LEA7-E00	1	E04	22121-LEA7-E00	4	E06			
19217-6G57-024	0	E04	22131-LGE5-E00	1	E06	28000		
19221-LEA7-E00	3	E04	22132-PWB1-900	4	E06			
19229-LEA7-E00	3	E04	22300-LGE5-E00	3	E06	28102-LEA7-E00	3	E07
19231-LEA7-E00	2	E04	22350-KHE7-900	1	E06	28110-LEA7-E00	3	E07
19232-LBA2-E00	2	E04	22361-LEA7-E00	1	E06	28120-LDB2-E00	0	E07
19300-LFA7-E0A	1	E02	22401-LGE5-E00	0	E06	28130-LEA7-E00	4	E07
19300-LFA7-E0B	2	E02	22530-LGE5-E00	2	E06			
19315-LFA7-E00	5	E02	22804-GBB2-001	0	E06	30000		
19502-LEA7-E00	3	E04						
19505-LBA2-E00	4	E04	23000			3051A-LGE5-E00	3	F18
19505-LBA2-E00	4	F20				30700-LFG1-E00	1	F18
19508-LBA2-E00	0	E04	2301A-LGE5-E00	4	E06			
19613-LEA7-E00	1	E01	23100-LEA7-E00	4	E06			

PART NO. INDEX

PART NO.	VERSION	PAGE	PART NO.	VERSION	PAGE	PART NO.	VERSION	PAGE
31000			33107-LGE5-E00	0	F01	35000		
31110-LEA7-E0B	2	E07	33120-LGE5-E00	0	F01	35010-LGE5-315-M1	0	F18
31120-LEA7-E0B	6	E07	33400-LGE5-E00	1	F25	35010-LGE5-315-M2	0	F18
31210-LEA7-E00	3	E07	33406-LGE5-E00	0	F25	35101-LGE5-315-M1	0	F18
31340-LFH1-E00	1	F18	33410-LGE5-E00	0	F25	35101-LGE5-315-M2	0	F18
31500-LEA6-900	5	F11	33450-LGE5-E00	1	F25	35102-KFB7-305-M1	0	F18
31500-LEA6-90B	2	F11	33456-LGE5-E00	0	F25	35102-KFB7-305-M2	0	F18
31600-KED9-900	4	F18	33460-LGE5-E00	0	F25	35111-LDC1-305-M1	0	F24
31601-LBA2-E00	2	F18	33700-LGE5-E00	3	F17	35111-LDC1-305-M2	0	F24
31605-LGE5-E00	1	F19	33706-GCN3-67A	0	F17	35111-LDC1-306-M1	0	F24
32000			33706-LGE5-E00	0	F17	35111-LDC1-306-M2	0	F24
32100-LGE5-E00	7	F18	33709-KBAB-003	0	F17	35111-LDC1-307-M1	0	F24
32101-LEA7-E00	1	E02	33720-LGE5-E00	1	F17	35111-LDC1-307-M2	0	F24
32101-LGE5-E00	2	F18	33722-KHB4-E00	0	F17	35119-LEB1-90A	0	F18
32105-LLJ3-E00	2	E01	33725-KHB4-E00	0	F17	35119-LEB1-90B	0	F18
32410-LGE5-E00	2	E07	33726-LGE5-E00	0	F17	35130-KXCX-M00	0	F03
32411-LGE5-E00	2	F11	33741-KHC5-M00	0	F17	35150-GFY6-900	4	F03
32412-LGE5-E00	2	E04	34000			35160-GFY6-900	3	F03
33000			34901-KED9-900	0	F01	35170-KNBN-910	1	F03
33100-LGE5-E00	3	F01	34903-KPCP-900	0	F17	35180-GFY6-900	2	F03
			34905-LCA5-E00	0	F25	35200-GFY6-910	1	F03
			34906-KPCP-900	0	F17	35340-KNBN-901	0	F04
						35350-KNBN-901	0	F04
						35370-LLJ3-E00	3	F15

PART NO. INDEX

PART NO.	VERSION	PAGE	PART NO.	VERSION	PAGE	PART NO.	VERSION	PAGE	
35380-LDF2-900	2	F18	38500-LGL3-90D	2	F18	43105-LGE5-305	0	F08	
35420-LEA7-E00	2	F18	38506-KHD8-900	0	F18	43109-MCA3-007	0	F08	
35500-KED9-900	6	E01	39000			43126-LGE5-E00	3	F04	
35850-KHB4-90A	2	F18				43156-LDB2-900	2	F16	
35850-KHB4-90B	3	F18				43156-LEA7-E00	2	F16	
37000				39100-KKE5-E01	4	F18	43210-LGE5-E00	0	F08
			39200-LGE5-E00	0	F18	43351-LGE5-E00	3	F07	
			39209-LEA7-E00	3	F19	43351-LGE5-E00	3	F08	
			39220-LDF2-900	1	F18	43352-KKD6-E90	1	F08	
37119-LGE5-E00	0	F02	39300-LDF2-800	2	E02	43353-4A61-77A	0	F08	
37200-LGE5-E00	6	F02	39301-LDF2-900	2	E02	43353-KED9-900	0	F07	
37208-LGE5-E00	0	F02	39400-LDF2-800	2	E02	4335A-LBA2-E01	2	F07	
37720-KGB5-900	0	E02	39450-LDF2-800	3	F14	43520-KKC4-900	0	F04	
37750-PAC1-005	0	E02	42000			43530-LGE5-305	0	F04	
37760-KHD8-900	0	F20				44000			
37801-GGA7-701	1	F10							
37802-GGA7-701	2	F10							
3780A-LGE5-E00	2	F10	42311-LEA7-900	1	F08		44301-LLJ3-E00	4	F07
38000			42312-LEA7-E00	1	F08	44311-LGE5-E00	1	F07	
			42601-LGE5-E00	2	F08	44312-LGE5-E00	3	F07	
			42710-LLJ3-E0B	3	F08	44600-LGE5-305	1	F07	
			42753-KNBN-90B	1	F07	44620-LDH1-E00	1	F07	
38110-KHB4-E0A	0	F18	42753-KNBN-90B	1	F08	44710-LLJ3-E0B	0	F07	
38110-KHB4-E0B	2	F18	43000						
38110-KHB4-E0C	1	F18							
38200-KHE7-900	0	F18							
38300-LCB4-900	4	F18							
38500-LGL3-90A	2	F18	43100-LGE5-E00	2	F08				

PART NO. INDEX

PART NO.	VERSION	PAGE	PART NO.	VERSION	PAGE	PART NO.	VERSION	PAGE	
45000			50179-LGE5-E00	4	F10	50713-LGE5-E00	4	F19	
			50306-1F96-001	0	F06	50714-LGE5-E00	3	F19	
			50320-LGE5-E00	6	F19	50715-LDH1-E00	0	F19	
	45105-LGE5-305	0	F07	50326-LGE5-E00	4	F11	50715-LGE5-E00	1	F19
	45107-KED9-900	0	F08	50328-LGE5-E00	1	F11	5071A-LGE5-E00	7	F19
	45108-LDH1-E00	0	F08	50330-LAE9-E00	1	F11	5071B-LGE5-E00	7	F19
	45126-LGE5-E00	3	F04	50350-LGE5-E00	7	F19	50720-LGE5-E00	6	F19
	45128-LGE5-E00	1	F06	50353-KGN7-901	0	F19	50721-LGE5-E00	5	F19
	45130-LGE5-E00	0	F07	50353-LEA7-E00	1	F19	50722-LGE5-E00	3	F19
	45131-LGE5-E00	0	F08	50356-LEA7-E01	1	F19	50723-LGE5-E00	4	F19
	45132-KED9-900	0	F07	50356-LGE5-E00	3	F19			
	45134-KED9-900	0	F07	50360-LGE5-E00	1	F19	51000		
	45200-LGE5-E00	4	F07	50364-KHE7-E00	0	F19			
	45209-KED9-900	0	F08	50500-LGE5-E00	7	F15	51400-LGE5-E00	5	F06
	45210-LGE5-305	0	F07	50502-GFY6-901	3	F15	51401-LGE5-E00	0	F21
	45352-LGE5-E00	1	F07	50504-LGE5-E00	2	E01	51404-LDH1-E00	0	F21
	45513-LGE5-E00	0	F04	50505-KUDU-900	1	F15	51410-LEA7-E00	0	F21
	45517-KFAF-910	0	F04	50505-LEA7-E00	1	F15	51412-LLJ3-E00	0	F21
	45530-LGE5-305	0	F04	50506-KHE7-E00	0	F15	51416-LDH1-E00	0	F21
				50530-LGE5-E00	2	F15	51420-LGE5-E00	0	F21
			50550-KKC2-E00	0	F15	51422-KED9-900	0	F21	
			50613-LGE5-E00	6	F19	51424-LDH1-E00	0	F21	
			50614-LGE5-E00	1	F19	51427-LDH1-E00	0	F21	
			50710-LGE5-E00	6	F19	51427-LLJ3-E00	0	F21	
			50711-LGE5-E00	5	F19	51429-LGE5-E00	0	F21	
			50712-LGE5-E00	3	F19	51430-LGE5-E00	0	F08	
50000									
50100-LGE5-E00	9	F19							
50174-LGE5-E00	3	F19							
50175-LGE5-E00	3	F19							
50176-LGE5-E00	2	F19							

PART NO. INDEX

PART NO.	VERSION	PAGE	PART NO.	VERSION	PAGE	PART NO.	VERSION	PAGE
51437-LEA7-E00	0	F21	53209-LGE5-E00	1	F03	64316-LGE5-E00	1	F05
51500-LGE5-E00	5	F06	53213-LBA2-E00	2	F06	64400-LGE5-E00	2	F05
51520-LGE5-E00	0	F21	53214-LBA2-E00	2	F06			
			53214-LHG7-E00	2	F06	75000		
52000			53220-LBA2-E00	2	F06			
			53240-LBA2-E00	2	F06	75581-6C73-001	0	F05
52000-LGE5-E00	9	F16	53250-LBA2-E00	2	F06			
52400-LGE5-E00	6	F16				77000		
			61000					
						77200-LGE5-E00	5	F09
			61100-LGE5-E00	1	F06	77206-KGBG-900	0	F09
			61110-LGE5-E00	1	F05	77232-GLW0-317-M1	0	F10
53100-LGE5-E00	5	F03				77232-GLW0-317-M2	0	F10
53102-LEA5-E00	3	F03	64000			77235-KGC4-E0A	2	F18
53105-LEA5-E00	3	F03				77235-KGC4-E0B	2	F18
53125-LEA7-E00	2	F03				77240-LGE5-E00	3	F18
53140-LEA7-E00	4	F03	64201-LGE5-E00	3	F05	77300-LGE5-E00	0	F09
53150-LEA6-900	4	F03	64202-LGE5-E00	3	F05	77303-LAB4-900	0	F09
53167-LGE5-E01	1	F03	6421A-LGE5-E00	3	F03			
53168-LGE5-E01	1	F03	64301-LGE5-E00	2	F05			
53175-KFA5-E10	0	F04	64303-LGE5-E00	1	F05	80000		
53178-KFC8-E10	0	F04	64305-LGE5-E00	3	F05			
53200-LGE5-E00	4	F06	64306-LGE5-E00	3	F05	80100-LGE5-E00	4	F17
53205-LGE5-E00	4	F03	64307-LGE5-E00	3	F05	80101-LGE5-E00	7	F17
53206-LGE5-E00	2	F03	64310-LGE5-E00	5	F05	80102-LGE5-E00	2	F17
53207-LGE5-E00	1	F03	64315-LGE5-E00	4	F19	80103-LGE5-E00	1	F17
53208-LGE5-E00	1	F03	64316-KHE2-900	1	F05	80104-LGE5-E00	3	F17

PART NO. INDEX

PART NO.	VERSION	PAGE	PART NO.	VERSION	PAGE	PART NO.	VERSION	PAGE
80105-LGE5-E00	4	F17	83610-LGE5-E00	4	F12	88120-LGE5-E00	1	F03
80151-LGE5-E00	3	F12	83621-LGE5-E00	2	F12	88124-LGE5-E00	2	F03
81000			83750-LGE5-E00	2	F12			
			8376A-KEBE-900	4	F05	89000		
81131-LGE5-E00	2	F05	86000			89010-LGE5-E00	3	F09
81132-LGE5-E00	3	F05						
81141-LGE5-E00	3	F05	86102-LEA5-E00	1	F23	90000		
81142-LGE5-E00	2	F05	86102-LGE5-E00	1	F23			
81146-LGE5-E00	1	F05	86202-LGE5-E00	1	F23	90001-GBHB-661	2	E03
81201-LGE5-E00	4	F12				90001-GBHB-661	2	E07
81202-LGE5-E00	4	F12	87000			90001-GFY6-901	4	E02
8120A-LGE5-E00	3	F12				90001-LEA7-E00	2	E02
81260-LGE5-E00	2	F12	87140-LGE5-E00	1	F23	90005-KEC8-900	3	E03
83000			87505-LGE5-E00	1	F22	9000B-KHD6-900	2	E02
			87512-KEBE-E00	0	F22	90012-3C33-001	1	E02
			87541-GAR1-E00	1	F22	90017-KKE5-E00	4	E02
83500-LGE5-E00	3	F12	87541-KKC2-E00	1	F22	90032-LEA7-E00	2	E01
83501-LGE5-E00	5	F12	87542-GAR1-E00	2	F22	90033-KGB4-C00	0	E02
83510-LGE5-E00	4	F12	87560-GFY6-E00	3	F22	90084-KKF9-901	0	E04
83521-LGE5-E00	2	F12				9008A-KBE2-900	0	E04
83550-KEC8-900	0	F06	88000			90101-LEA7-E00	1	F14
83551-KEC8-900	0	F06				90103-LEA7-E00	1	F14
83551-KEC8-900	0	F20	88110-LGE5-E00	1	F03	90104-LEA7-E00	3	F03
83600-LGE5-E00	3	F12	88114-LGE5-E00	2	F03	90105-KCR3-001	1	F07
83601-LGE5-E00	5	F12	88115-LBA2-E02	1	F03	90105-KCR3-001	1	F08

PART NO. INDEX

PART NO.	VERSION	PAGE	PART NO.	VERSION	PAGE	PART NO.	VERSION	PAGE
90106-GEN5-901	0	F03	90302-LLB1-E00	2	F16	90651-LLJ3-E00	0	F21
90106-KFA6-900	0	F12	90302-SDA4-004	2	F05	90652-33G00-E00	0	F13
90106-KUDU-900	1	F12	90302-SDA4-004	2	F12	90652-LCA4-E00	1	F05
90106-LEA7-E00	1	F19	90304-GHE8-004	0	F03	90652-LCA4-E00	1	F17
90108-KKC4-900	1	F15	90304-GHE8-004	0	F16	90652-LDB5-900	3	F05
90112-KFA1-900	1	F05	90304-GHE8-004	0	F19	90652-LDG7-900	1	E02
90114-1F66-007	2	F04	90304-LBD4-900	2	F19	90652-LFB5-900	2	F12
90114-GDM4-011	2	F13	90305-KKAK-900	0	F08	90652-LFB5-900	2	F17
90117-KED9-900	1	F19	90305-LBD4-900	1	F19	90656-KCBC-900	0	F18
90122-LEA7-E00	1	F07	90401-KKJ9-001	0	E07	90656-KUDU-900	0	F18
90122-LEA7-E00	1	F08	90401-LEA7-E00	1	E06	90656-KUDU-900	0	F20
90145-MKS9-61A	1	F04	90402-LEA7-E00	4	E03	90677-GAR1-004	1	F03
90201-KHE7-900	1	E06	90403-LEA7-E00	1	E06	90677-GAR1-004	1	F05
90201-KHR8-75A	1	E06	90423-KKJ9-001	0	E04	90701-9E65-001	0	E01
90201-KHR8-75A	1	E07	90428-9H58-001	0	E04	90754-LLJ3-E00	1	F07
90202-LEA7-E00	1	E06	90474-3C33-001	1	E01	90914-LGE5-E00	4	F20
90206-0A01-001	2	E02	90478-7L00-001	0	E02			
90215-KKC4-900	1	F12	90478-7L00-001	0	E04	91000		
90301-6D34-671	1	F05	90503-LEA7-E00	2	F06			
90301-6D34-671	1	F17	9052A-LEB1-900	1	E01	91002-GGA7-70A	0	E06
90301-6D34-671	1	F20	90544-KEC8-900	0	F21	91004-LEA7-E00	1	E06
90301-GFY6-901	2	F14	90545-3L00-001	2	F04	91005-LBA7-900	1	E01
90302-GFY6-901	1	F17	90601-LLJ3-E00	0	F21	91009-KHE7-900	0	E01
90302-GFY6-940	1	F03	90605-1F66-721	0	E06	91201-LEA7-E00	1	E01
90302-GFY6-940	1	F12	90651-LEA2-900	0	F18	91202-KGB4-C00	1	E04
90302-LLB1-E00	2	F05	90651-LGE5-E00	1	F10	91202-LEA7-E00	4	E08

PART NO. INDEX

PART NO.	VERSION	PAGE	PART NO.	VERSION	PAGE	PART NO.	VERSION	PAGE
91202-LEA7-E0A	3	E08	92101-05008-0A	0	E01	93903-34360	0	F19
91211-KHE7-900	0	E06	92101-05012-0A	0	F07	93903-34360	0	F25
91251-LLJ3-E00	0	F21	92101-05012-0H	0	E07	93903-35220	0	F01
91255-KHE7-900	0	E01	92101-05032-0H	0	E07	93903-35220	0	F02
91255-LGE5-E00	1	F16	92900-06040-0E	2	E02	93903-35220	0	F03
91255-LLB1-900	1	F16				93903-35260	0	F11
91301-2L00-001	0	E01	93000			93903-GFY6-900	1	F03
91301-LDF2-800	1	E02				93903-GFY6-900	1	F05
91302-5G67-004	0	E04	93404-06012-06	0	F17	93903-GFY6-900	1	F11
91302-LDF2-800	2	E02	93404-06012-06	0	F19	93903-GFY6-900	1	F12
91302-LEA7-E00	1	E02	93404-06012-06	0	F20			
91303-3G77-001	0	E04	93404-06016-06	0	F15	94000		
91303-LEA7-E00	1	E04	93404-06020-06	1	F06			
91306-1E05-691	0	E03	93500-03010-1A	0	E07	94050-05080	0	F17
91306-PUA5-E00	3	E01	93500-05022-06	0	F03	94050-06060	0	F04
91307-0E35-001	0	E04	93600-04012-1G	0	F04	94050-06060	0	F10
91307-PUA5-E00	3	E01	93600-06032-0H	2	E07	94050-06060	0	F20
91309-4E25-004	0	E07	93892-04008-18	0	E05	94050-06080	0	E02
91351-KHE7-900	0	E06	93893-04012-18	0	F04	94050-06080	0	F09
91507-LEA7-E00	1	F18	93894-04022-08	1	F18	94050-06080	0	F18
91508-KGV7-67A	0	F17	93903-25460	0	F13	94050-06080	0	F19
91552-LEA7-E00	1	E01	93903-34180	0	F19	94050-08060	0	F19
			93903-34360	0	F03	94050-10060	0	E01
92000			93903-34360	0	F05	94101-06800	0	F19
			93903-34360	0	F12	94101-08800	0	F15
92000-05016-0H	0	E02	93903-34360	0	F17	94101-LBA2-E00	1	F19

PART NO. INDEX

PART NO.	VERSION	PAGE	PART NO.	VERSION	PAGE	PART NO.	VERSION	PAGE
94102-LBA2-E00	1	F19	95002-02150	0	F13	95801-10055-06	0	F14
94201-16120	0	F19	95002-50000	0	E01	95801-10060-06	0	F16
94251-08400	0	F15	95002-50000	0	F13			
94301-08100	1	E02	95002-70000	0	F20	96000		
94301-08140	0	E04	95002-KHE7-900	0	F20			
94301-10160	0	E01	95014-72204	0	F15	96001-06010-00	0	E04
94301-10160	0	E04	95701-06008-06	1	F06	96001-06010-06	0	E02
94301-10160	0	E08	95701-06012-06	1	F06	96001-06012-06	0	F16
94301-12200	1	E02	95701-06012-06	1	F18	96001-06012-06	0	F18
94301-12200	1	E03	95701-06014-06	0	F19	96001-06012-08	0	E07
94303-04065	0	E07	95701-06016-06	1	F18	96001-06020-06	0	E01
94401-25140	4	E03	95701-06016-06	1	F19	96001-06022-06	1	E04
94510-10000	0	E07	95701-06016-06	1	F20	96001-06022-06	1	F04
94510-14000	0	E04	95701-06016-08	0	E02	96001-06025-06	0	E02
94510-25000	0	E08	95701-06022-06	1	F14	96001-06025-06	0	E03
94520-28000	0	E06	95701-06045-06	0	F19	96001-06028-06	0	E04
94520-47000	0	E01	95701-08012-08	0	E01	96001-06030-08	0	E01
94520-47000	0	F16	95701-08012-08	0	F18	96001-06035-06	0	E04
94591-KFBF-900	2	F18	95701-08016-06	0	F19	96001-06070-08	0	E01
94601-17000	0	E03	95701-08035-08	0	E08	96001-06080-08	0	E01
94608-LLJ3-E00	0	F21	95701-08040-08	0	E08	96001-LAB4-900	1	F13
			95701-KHC5-E00	3	F18	96100-62050-00	2	E08
95000			95701-LDF2-800	2	F10	96100-63020-00	0	E01
			95801-08040-08	0	F06	96100-63020-00	0	E08
95002-02080	0	F10	95801-10025-06	0	F15	96100-63040-00	1	E08
95002-02100	0	F20	95801-10040-02	0	F16	96150-60020-10	0	F07

PART NO. INDEX

PART NO.	VERSION	PAGE	PART NO.	VERSION	PAGE	PART NO.	VERSION	PAGE
96150-62040-10	0	F16						
96600-08015-10	1	E07						
96600-LBA2-E00	0	F21						
96600-LGE5-E00	0	F07						
96700-06020-06	0	F06						
98000								
98059-57916-00	2	E02						
98200-31000	1	F11						
98200-31000	1	F18						
98200-31500	0	F11						
98200-31500	0	F18						
98200-33000	0	F11						
98200-33000	0	F18						
98200-KKC4-900	0	F18						
W								
W1792-048-9901	0	E05						