

# PARTS CATALOGUE



## SCOOTERS

SR25BA(MK)

MOVIES0 125i



Release Date : 2013/09/08  
Print Date : 2013/10/16

## ABOUT THIS PARTS LIST

- This parts list is compiled all service parts for model SR25BA(MK).
- Any difference between color chart and motorcycle will be revised according to motorcycle.
- The Mark:
  1. Marking "\*\*\*" must add color code in the end before ordering parts.
  2. Marking "#" are parts with modification, Please find the details from e-Parts system.
- When modification or additions to this parts list are made a revised edition at an appropriate time.



# CONTENTS

● ABOUT THIS PARTS LIST .....	1
● COLOR CHART OF SR25BA(MK) .....	3
● CONTENTS-ENGINE GROUP .....	9
● CONTENTS-FRAME GROUP .....	10
● ENGINE PARTS LIST .....	13
● FRAME PARTS LIST .....	49
● PART NO. INDEX .....	115

NO	MODEL			COLOR CHART OF SR25BA(MK)							
	PHOTO NO			NO. 1	NO. 2	NO. 3	NO. 4				
	BASIC COLOR			Bright Red			Black Diamond				
	CODE			Bright Red			Black Diamond				
	PARTS NAME	PARTS NO.	VERSION	RR339PA	RR339PA	NH191MA	NH191MA				
1	GRIP COMP..THROT.	53140-LEA1-900	5	H2R							
2	GRIP COMP..L HANDLE	53150-LEA1-900	3								
3	COVER HANDLE FR	53205-LFB5-900	4	EBP							
4	FENDER FR	61100-LFB5-900	4								
5	MOLDING. FR.	64302-LFB5-900	5								
6	SKIRT . R SIDE	64305-LFB5-900	3								
7	SKIRT . L SIDE	64306-LFB5-900	3								
8	COVER ASSY FR	6430A-LGH6-E00	1					HTP			
9	CARRIER. RR.	81200-LFB5-900	3								
10	COVER . R BODY	83500-LFB5-900	3								
11	COVER . L BODY	83600-LFB5-900	3								
12	MIRROR ASSY.R BACK	88110-LFB5-900	4								
13	MIRROR ASSY.L BACK	88120-LFB5-900	4								
14	WHEEL CAST .RR CAST	42601-LFE2-900	4								
15	WHEEL SET FR	44650-LFE2-305	4								
16	LEVER R STRG HNDL	53175-KFA5-E10	0	M5A							
17	LEVER L STRG HANDLE	53178-LCD1-E00	1								
18	LEVER L STRG HANDLE	53178-LGH6-900	1								
19	COVER COMP..L COVER	11344-LGH6-900	2	N1R							
20	COLLAR FUEL FILLER	17623-KKE5-E0A	0								
21	COLLAR FUEL FILLER	17623-KKE5-E0B	0								
22	COVER ASSY.BATTERY	5032A-LGH6-E00	2								
23	COVER. UNDER	50613-LFB5-900	4								
24	COVER. HANDLE RR.	53206-LFB5-900	3								
25	COVER. L WINKER	53208-LFB5-900	1								
DATE OF STARTING-SALES											
DATE OF END-SALES											

NO	MODEL			COLOR CHART OF SR25BA(MK)							
	PHOTO NO			NO. 5	NO. 6	NO. 7	NO. 8				
	BASIC COLOR				Silver Crystal	Pearly White					
	CODE				Silver Crystal	Pearly White					
	PARTS NAME	PARTS NO.	VERSION	NH263MA	NH263MA	NH193PA	NH193PA				
1	GRIP COMP..THROT.	53140-LEA1-900	5	H2R							
2	GRIP COMP..L HANDLE	53150-LEA1-900	3								
3	COVER HANDLE FR	53205-LFB5-900	4	HUP							
4	FENDER FR	61100-LFB5-900	4								
5	MOLDING. FR.	64302-LFB5-900	5								
6	SKIRT . R SIDE	64305-LFB5-900	3								
7	SKIRT . L SIDE	64306-LFB5-900	3								
8	COVER ASSY FR	6430A-LGH6-E00	1					NVP			
9	CARRIER. RR.	81200-LFB5-900	3								
10	COVER . R BODY	83500-LFB5-900	3								
11	COVER . L BODY	83600-LFB5-900	3								
12	MIRROR ASSY.R BACK	88110-LFB5-900	4								
13	MIRROR ASSY.L BACK	88120-LFB5-900	4								
14	WHEEL CAST .RR CAST	42601-LFE2-900	4								
15	WHEEL SET FR	44650-LFE2-305	4								
16	LEVER R STRG HNDL	53175-KFA5-E10	0	M5A							
17	LEVER L STRG HANDLE	53178-LCD1-E00	1								
18	LEVER L STRG HANDLE	53178-LGH6-900	1								
19	COVER COMP..L COVER	11344-LGH6-900	2	N1R							
20	COLLAR FUEL FILLER	17623-KKE5-E0A	0								
21	COLLAR FUEL FILLER	17623-KKE5-E0B	0								
22	COVER ASSY.BATTERY	5032A-LGH6-E00	2								
23	COVER. UNDER	50613-LFB5-900	4								
24	COVER. HANDLE RR.	53206-LFB5-900	3								
25	COVER. L WINKER	53208-LFB5-900	1								
DATE OF STARTING-SALES											
DATE OF END-SALES											

NO	MODEL			COLOR CHART OF SR25BA(MK)							
	PHOTO NO			NO. 1	NO. 2	NO. 3	NO. 4				
	BASIC COLOR			Bright Red			Black Diamond				
	CODE			Bright Red			Black Diamond				
	PARTS NAME	PARTS NO.	VERSION	RR339PA	RR339PA	NH191MA	NH191MA				
26	GRILLE R FENDER TIRE	61101-LFB5-900	0	N1R							
27	GRILLE L FENDER TIRE	61102-LFB5-900	0								
28	FENDER B. FR.	6110B-LFB5-900	7								
29	GRILLE R FR MOLDING	64303-LFB5-900	0								
30	GRILLE L FR MOLDING	64304-LFB5-900	0								
31	GRILLER COVER FR	64307-LFB5-900	1								
32	FLOOR. PANEL	64310-LFB5-900	2								
33	PLUG FLOOR	64316-KHD6-900	0								
34	PLUG FLOOR	64316-KHE2-900	1								
35	COWL. UNDER	64400-LFB5-900	5								
36	FENDER TIRE . RR.	80100-LFB5-910	3								
37	FENDER RR	80105-LFB5-900	6								
38	FENDER . RR. LOW	80107-LFB5-900	4								
39	COVER . CENTER	80151-LFB5-900	3								
40	LEG SHIELD UP	81131-LFB5-900	0								
41	LEG SHIELD UP	81131-LFB5-910	1								
42	CAP LEG SHIELD UP	81132-LFB5-900	0								
43	HOOK,LEG SHIELD	81134-LGH6-B20	1								
44	LEG SHIELD LOW	81141-LFB5-900	2								
45	LID LEG SHIELD(VIN)	81142-KUDU-900	1								
46	LEG SHIELD UP. B	81142-LFB6-800	2								
47	COVER . R SIDE	83520-LFB5-900	4								
48	COVER . L SIDE	83620-LFB5-900	4								
49	BAND HARNESS WIRE	90656-KUDU-900	0								
50	FORK ASSY .RR	52000-LFB5-900	4					N8A			
DATE OF STARTING-SALES											
DATE OF END-SALES											

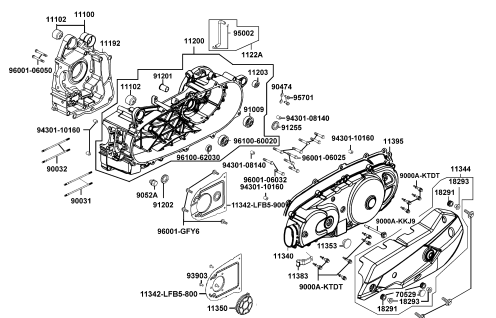
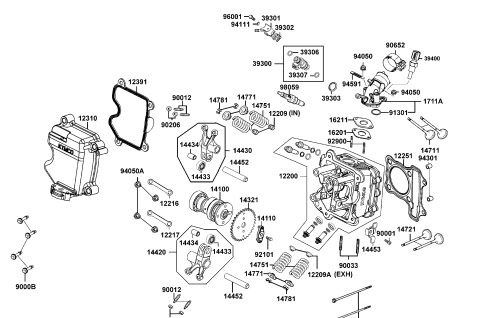
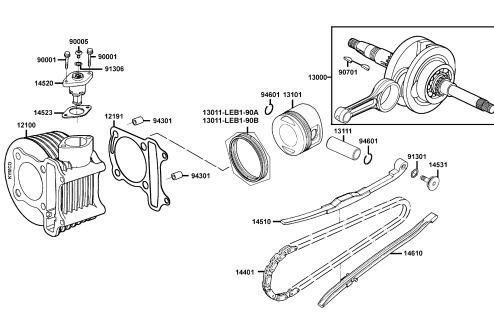
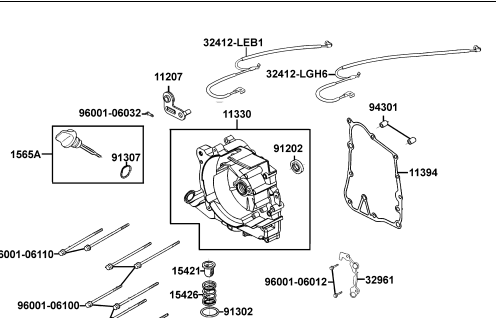
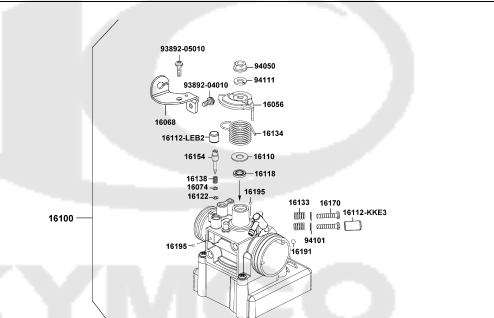
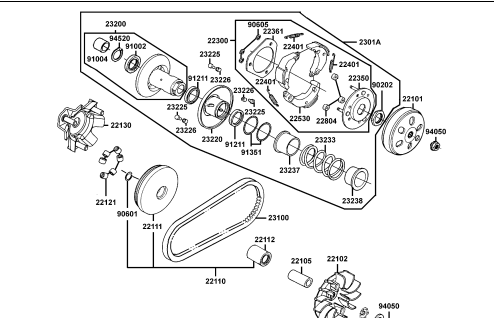
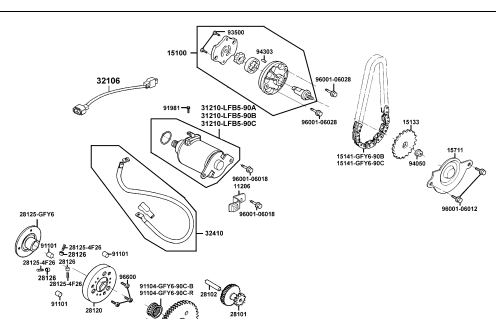
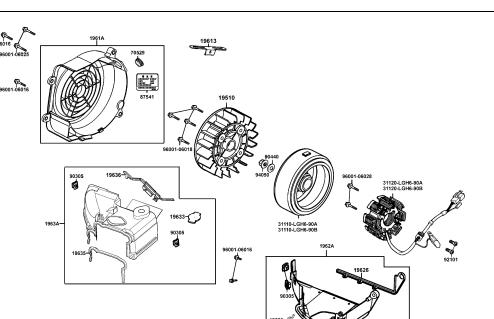
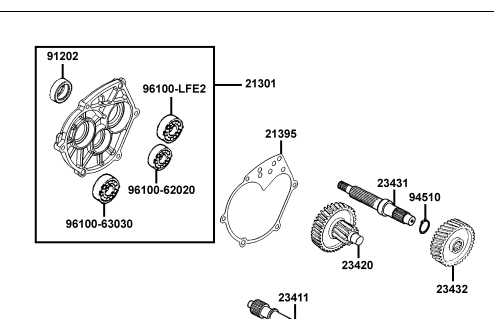
NO	MODEL			COLOR CHART OF SR25BA(MK)							
	PHOTO NO			NO. 5	NO. 6	NO. 7	NO. 8				
	BASIC COLOR				Silver Crystal	Pearly White					
	CODE				Silver Crystal	Pearly White					
	PARTS NAME	PARTS NO.	VERSION	NH263MA	NH263MA	NH193PA	NH193PA				
26	GRILLE R FENDER TIRE	61101-LFB5-900	0	N1R							
27	GRILLE L FENDER TIRE	61102-LFB5-900	0								
28	FENDER B. FR.	6110B-LFB5-900	7								
29	GRILLE R FR MOLDING	64303-LFB5-900	0								
30	GRILLE L FR MOLDING	64304-LFB5-900	0								
31	GRILLER COVER FR	64307-LFB5-900	1								
32	FLOOR. PANEL	64310-LFB5-900	2								
33	PLUG FLOOR	64316-KHD6-900	0								
34	PLUG FLOOR	64316-KHE2-900	1								
35	COWL. UNDER	64400-LFB5-900	5								
36	FENDER TIRE . RR.	80100-LFB5-910	3								
37	FENDER RR	80105-LFB5-900	6								
38	FENDER . RR. LOW	80107-LFB5-900	4								
39	COVER . CENTER	80151-LFB5-900	3								
40	LEG SHIELD UP	81131-LFB5-900	0								
41	LEG SHIELD UP	81131-LFB5-910	1								
42	CAP LEG SHIELD UP	81132-LFB5-900	0								
43	HOOK,LEG SHIELD	81134-LGH6-B20	1								
44	LEG SHIELD LOW	81141-LFB5-900	2								
45	LID LEG SHIELD(VIN)	81142-KUDU-900	1								
46	LEG SHIELD UP. B	81142-LFB6-800	2								
47	COVER . R SIDE	83520-LFB5-900	4								
48	COVER . L SIDE	83620-LFB5-900	4								
49	BAND HARNESS WIRE	90656-KUDU-900	0								
50	FORK ASSY .RR	52000-LFB5-900	4					N8A			
DATE OF STARTING-SALES											
DATE OF END-SALES											

NO	MODEL			COLOR CHART OF SR25BA(MK)							
	PHOTO NO			NO. 1	NO. 2	NO. 3	NO. 4				
	BASIC COLOR			Bright Red			Black Diamond				
	CODE			Bright Red			Black Diamond				
	PARTS NAME	PARTS NO.	VERSION	RR339PA	RR339PA	NH191MA	NH191MA				
51	CAP COMP FUEL FILLER	17620-LLJ3-E0A	3	NYA							
52	CAP COMP FUEL FILLER	17620-LLJ3-E0B	3								
53	CALIPER ASSY .FR (RH)	45200-LFB5-900	4	R8A							
54	FAN COMP.. COOLING	19510-LEB1-900	5	RAR							
55	SEAT ASSY.	77200-LGH6-E00	3	T01							
56	EMB K-LOGO 30MM	86102-LEA5-E00	1								
57	CAUTION ANTI	87224-LGH6-EY0	0								
58	STRIPE MARK EURO 3	87311-LCD3-E00	1								
59	CAUTION BATTERY	87502-LEB2-900	1								
60	LABEL TIRE	87505-LFB6-E00	1								
61	CAUTION SIDE STAND	87541-GAR1-E00	1								
62	LABEL OIL CAP	87541-KUDU-900	2								
63	MARK MAINT CAUTION	87542-GAR1-E00	2								
64	MARK DRIVE CAUTION	87560-GFY6-E00	3								
65	EMB BODY COVER	86202-LGH6-E10	1					T02		T01	
66	FORK SET .FR R	5140A-LFB5-900	7					YYA			
67	BOTTOM CASE R	51420-LFB5-900	0								
68	FORK SET .FR L	5150A-LFB5-900	6					YYP			
69	BOTTOM CASE L	51520-LFB5-900	0								
70	MUFFLER ASS'Y	1830A-LGH6-E00	2	YYS							
71	PROTECTOR MUFFLER	18318-LFB5-E0A	0								
72	PROTECTOR,EXH.PIPE	18325-LFB6-E00	1	YYS							
73	CUSHION ASSY .RR	52400-LFB5-900	5								
74	CUSHION ASSY .RR L	52500-LFB5-900	4								
DATE OF STARTING-SALES											
DATE OF END-SALES											



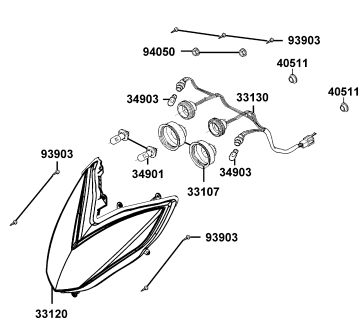
NO	MODEL			COLOR CHART OF SR25BA(MK)			
	PHOTO NO			NO. 5	NO. 6	NO. 7	NO. 8
	BASIC COLOR				Silver Crystal	Pearly White	
	CODE				Silver Crystal	Pearly White	
	PARTS NAME	PARTS NO.	VERSION	NH263MA	NH263MA	NH193PA	NH193PA
51	CAP COMP FUEL FILLER	17620-LLJ3-E0A	3	NYA			
52	CAP COMP FUEL FILLER	17620-LLJ3-E0B	3				
53	CALIPER ASSY .FR (RH)	45200-LFB5-900	4	R8A			
54	FAN COMP.. COOLING	19510-LEB1-900	5	RAR			
55	SEAT ASSY.	77200-LGH6-E00	3				
56	EMB K-LOGO 30MM	86102-LEA5-E00	1				
57	CAUTION ANTI	87224-LGH6-EY0	0				
58	STRIPE MARK EURO 3	87311-LCD3-E00	1				
59	CAUTION BATTERY	87502-LEB2-900	1				
60	LABEL TIRE	87505-LFB6-E00	1	T01			
61	CAUTION SIDE STAND	87541-GAR1-E00	1				
62	LABEL OIL CAP	87541-KUDU-900	2				
63	MARK MAINT CAUTION	87542-GAR1-E00	2				
64	MARK DRIVE CAUTION	87560-GFY6-E00	3				
65	EMB BODY COVER	86202-LGH6-E10	1				
66	FORK SET .FR R	5140A-LFB5-900	7				
67	BOTTOM CASE R	51420-LFB5-900	0	YYA			
68	FORK SET .FR L	5150A-LFB5-900	6				
69	BOTTOM CASE L	51520-LFB5-900	0				
70	MUFFLER ASS'Y	1830A-LGH6-E00	2	YYP			
71	PROTECTOR MUFFLER	18318-LFB5-E0A	0				
72	PROTECTOR,EXH.PIPE	18325-LFB6-E00	1				
73	CUSHION ASSY .RR	52400-LFB5-900	5	YYS			
74	CUSHION ASSY .RR L	52500-LFB5-900	4				
DATE OF STARTING-SALES							
DATE OF END-SALES							

# CONTENTS - ENGINE GROUP

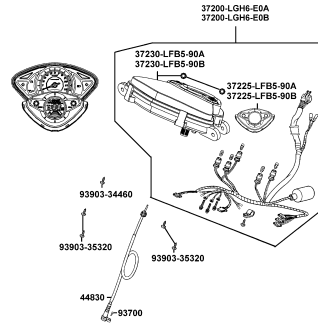
<p><b>E01 Crank Case</b></p> 	<p><b>E02 Cylinder Head Cover Cylinder</b></p> 	<p><b>E03 Cylinder Piston Crankshaft</b></p> 
<p><b>E04 Right Crankcase Cover</b></p> 	<p><b>E05 Throttle Body Assy</b></p> 	<p><b>E06 Pulley</b></p> 
<p><b>E07 Starting Motor Oil Pump</b></p> 	<p><b>E08 Fan coverGenerator</b></p> 	<p><b>E09 Transmission</b></p> 

# CONTENTS - FRAME GROUP

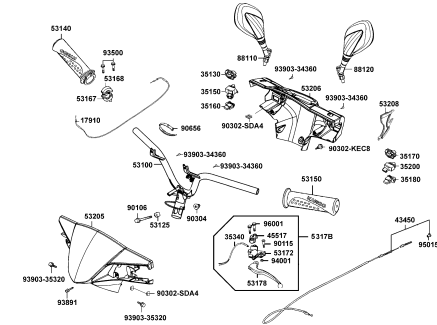
**F01** Head Light



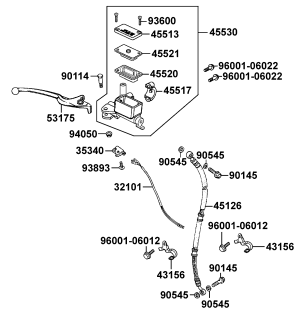
**F02** Speedometer



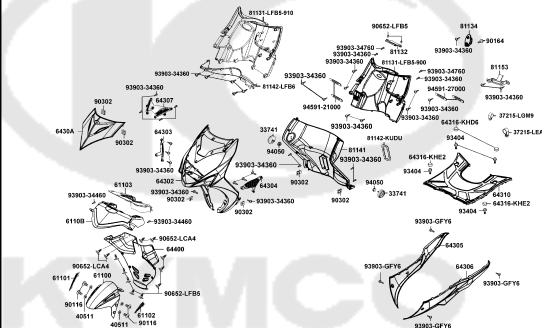
**F03** Handle Steering Handle Cover



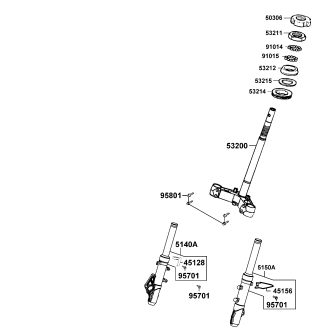
**F04** Brake Master Cylinder



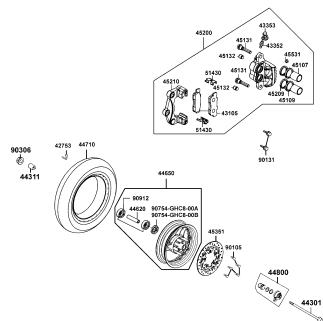
**F05** Front Cover Floor Panet



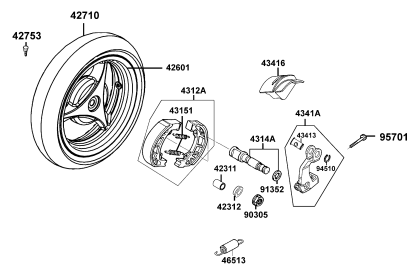
**F06** Front Cushion



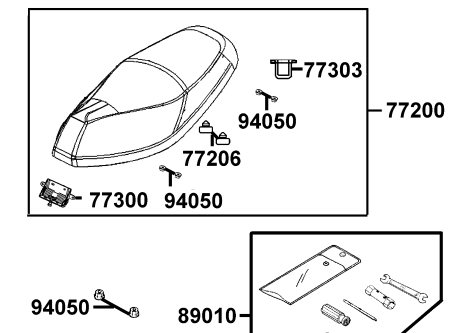
**F07** Front Wheel



**F08** Rear Wheel

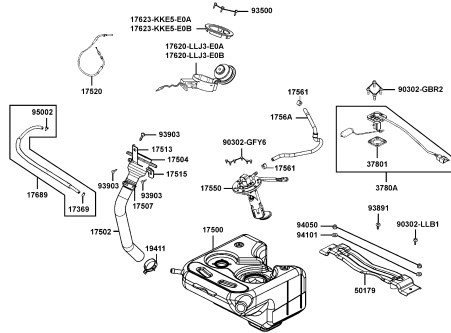


**F09** Seat

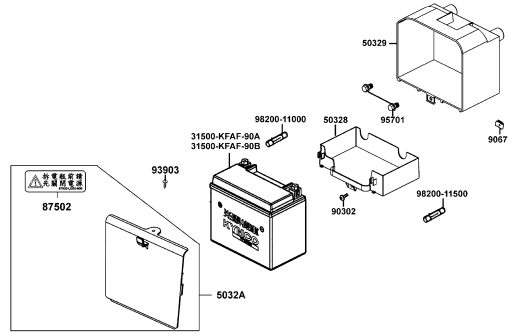


# CONTENTS - FRAME GROUP

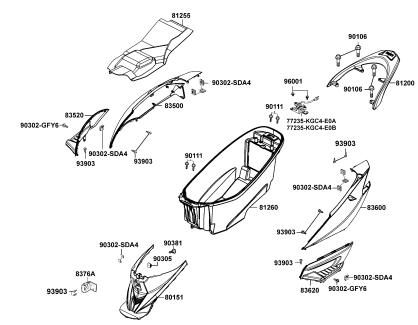
**F10 Fuel Tank**



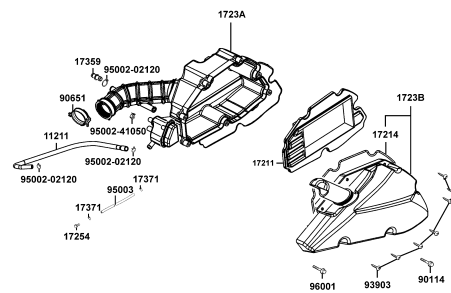
**F11 Battery**



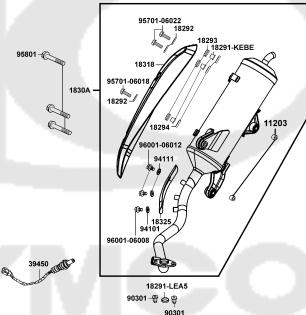
**F12 Body Cover Luggage Box**



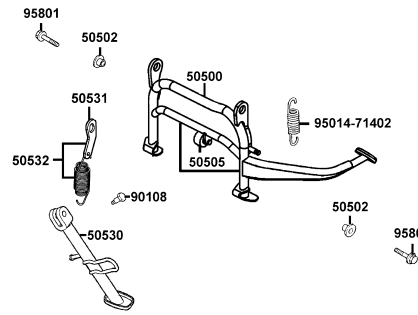
**F13 Air Cleaner**



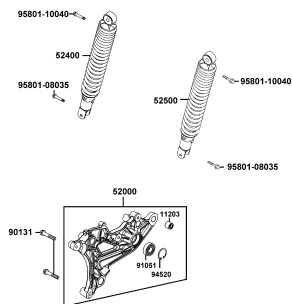
**F14 Exhaust Muffler**



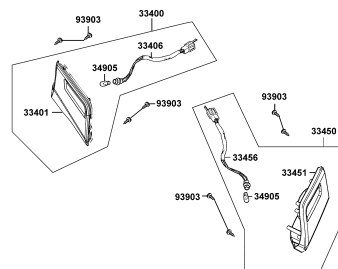
**F15 Stand**



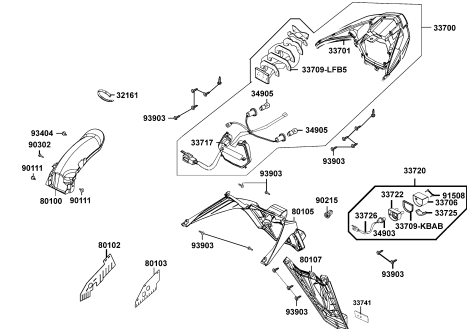
**F16 Rear Cushion**



**F17 Front Winker**

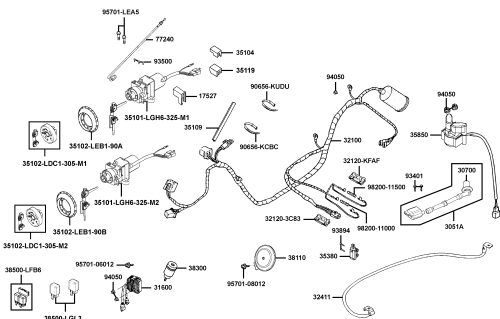


**F18 Tail Light Rear Fender**

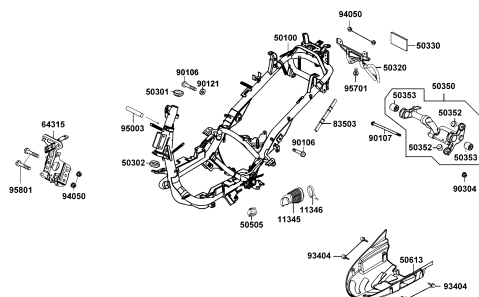


## CONTENTS - FRAME GROUP

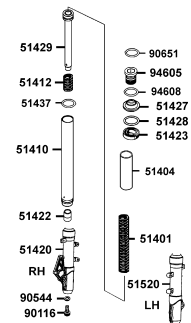
### F19 Wire Harness



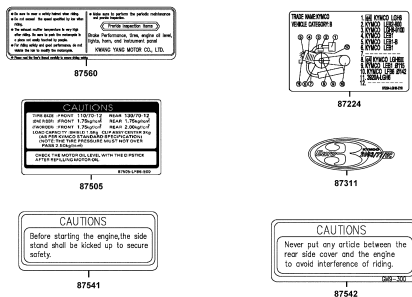
### F20 Frame Body



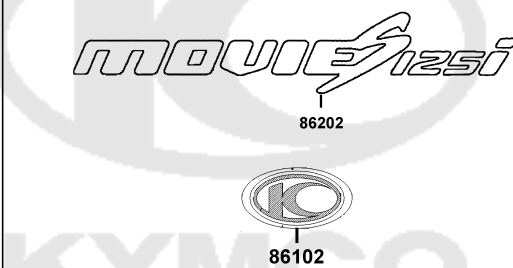
### F21 Separated Parts Of Fr Fork



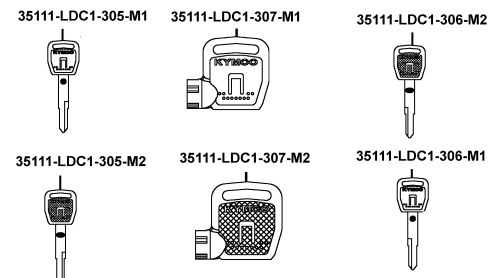
### F22 Caution Label



### F23 Emblem Stripe

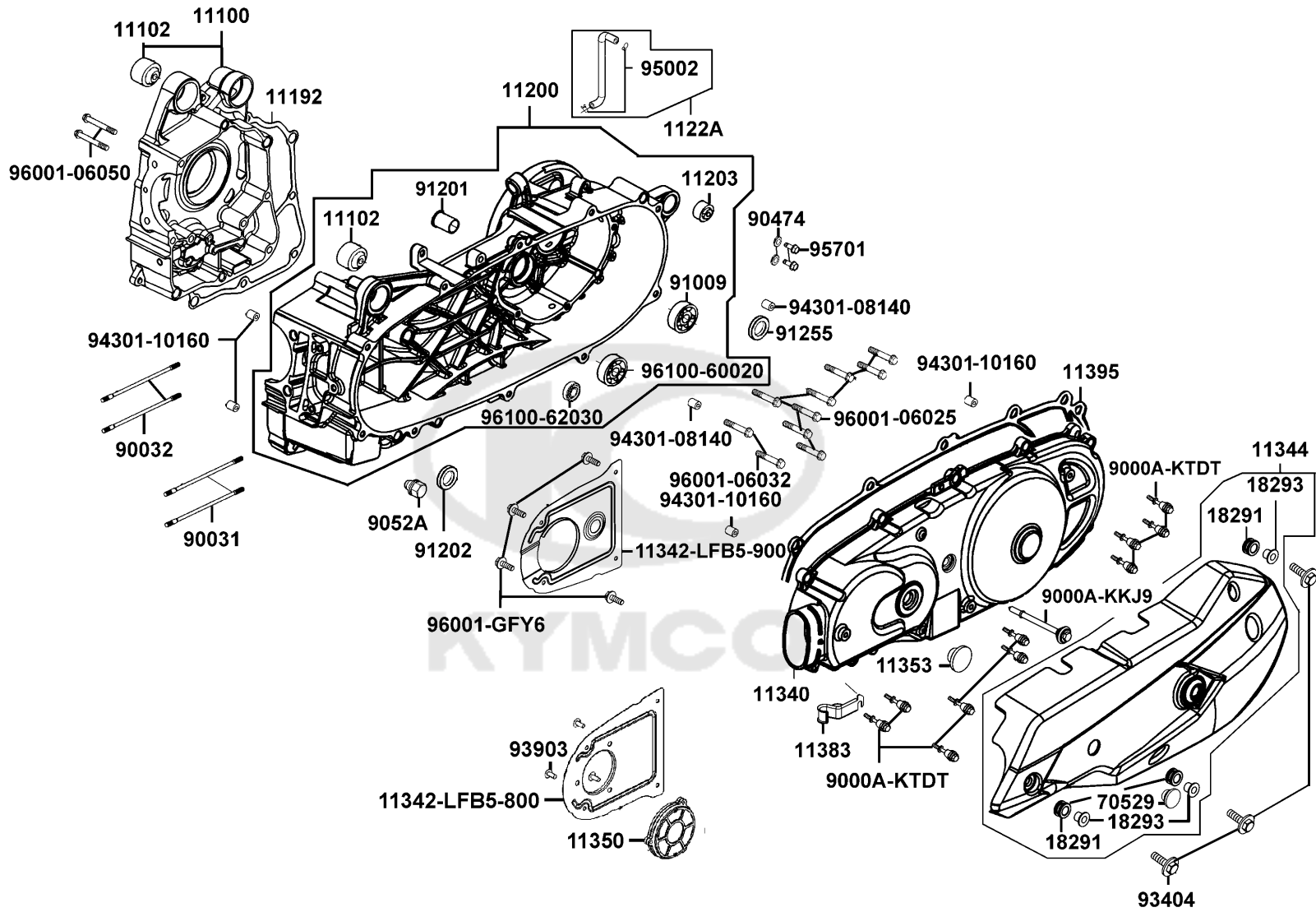


### F24 KEY



E01

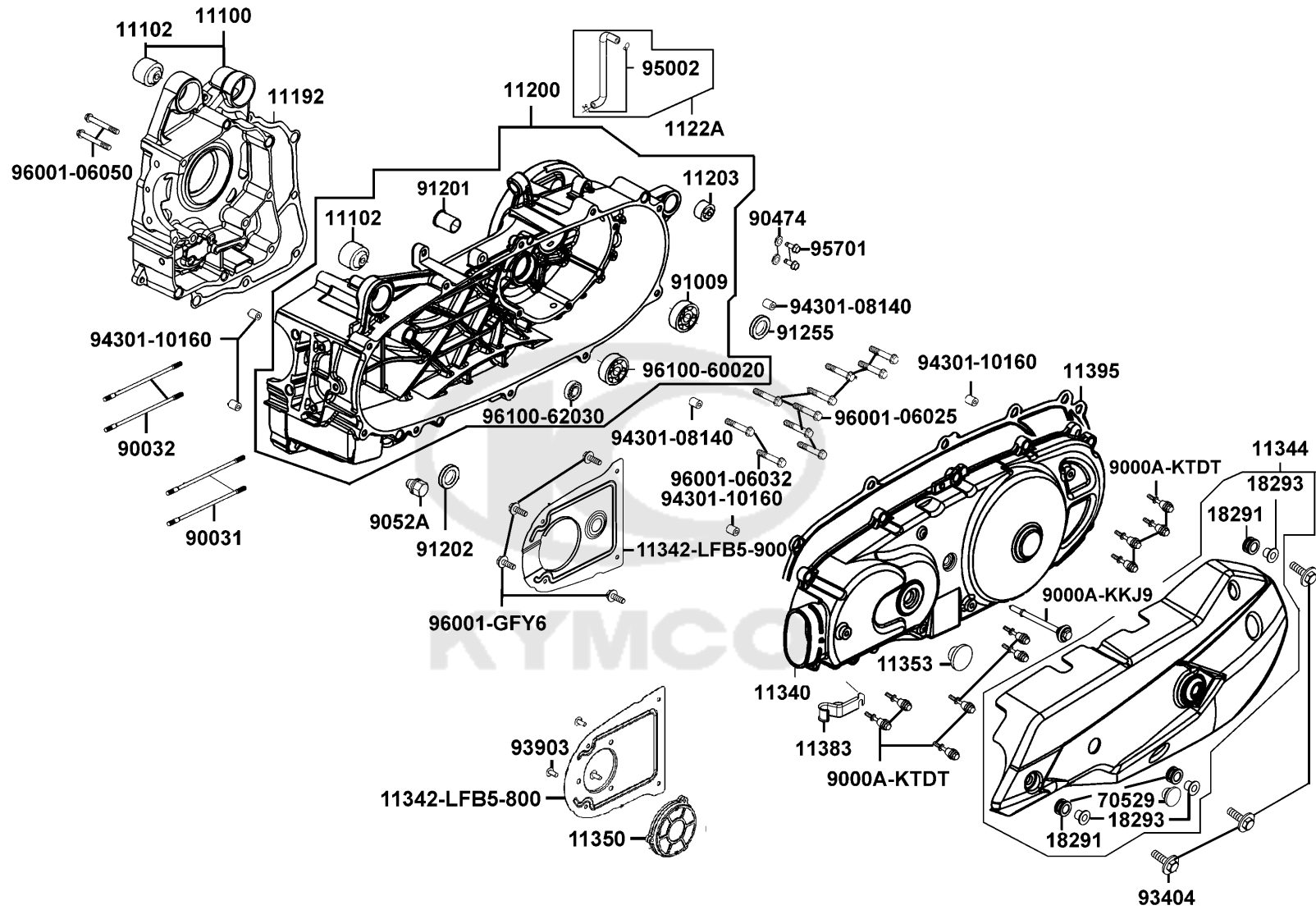
# Crank Case



Sales mark	Ref no	Part no	Description	Reg description	Regd no	E01
	11100	11100-LEB1-306	CRANK CASE SET R	CRANK CASE SET R	1	
	11102	11102-1G87-004	RUB BUSH ENG HANGER	RUB BUSH ENG HANGER	2	
	11192	11192-LEB1-900	GASKET CRANK CASE @A	GASKET CRANK CASE @A	1	
	11200	11200-LFB5-307	CRANKCASE SET LEFT	CRANKCASE SET LEFT	1	
	11203	11203-GGC7-301	UNDER RUBBER BUSH RR CUSHION	UNDER RUBBER BUSH RR CUSHION	1	
	1122A	1122A-LFB5-900	TUBE ASSY MISSION BREATHER	TUBE ASSY MISSION BREATHER	1	
	11340	11340-LFB5-800	COVER COMP L SUDE	COVER COMP L SUDE	1	
	11340	11340-LFB5-900	COVER.COMP L SIDE	COVER.COMP L SIDE	1	
	11340	11340-LFB5-910	COVER COMP L SIDE	COVER COMP L SIDE	1	
	11342-LFB5-800	11342-LFB5-800	PLATE L COVER	PLATE L COVER	1	
	11342-LFB5-900	11342-LFB5-900	PLATE.L COVER	PLATE.L COVER	1	
**	11344	11344-LGH6-900	COVER COMP..L COVER	COVER COMP..L COVER	1	
	11350	11350-LKG2-900	ELEMENT ASSY L COVER	ELEMENT ASSY L COVER	1	
	11353	11353-LEA6-900	RUBBER PLUG L COVER KICK	RUBBER PLUG L COVER KICK	1	
	11383	11383-LFB5-900	CLAMPER.DRAIN TUBE	CLAMPER.DRAIN TUBE	1	
	11395	11395-LFB5-900	GASKET.L COVER	GASKET.L COVER	1	
	18291	18291-KKC4-900	COLLAR	COLLAR	3	
	18293	18293-KKC4-900	RUBBER	RUBBER	3	
	70529	70529-6G57-671	GROM B SIDE PNL	GROM B SIDE PNL	1	
	9000A-KKJ9	9000A-KKJ9-001	BOLT SPECIAL COMP	BOLT SPECIAL COMP	1	

E01

# Crank Case

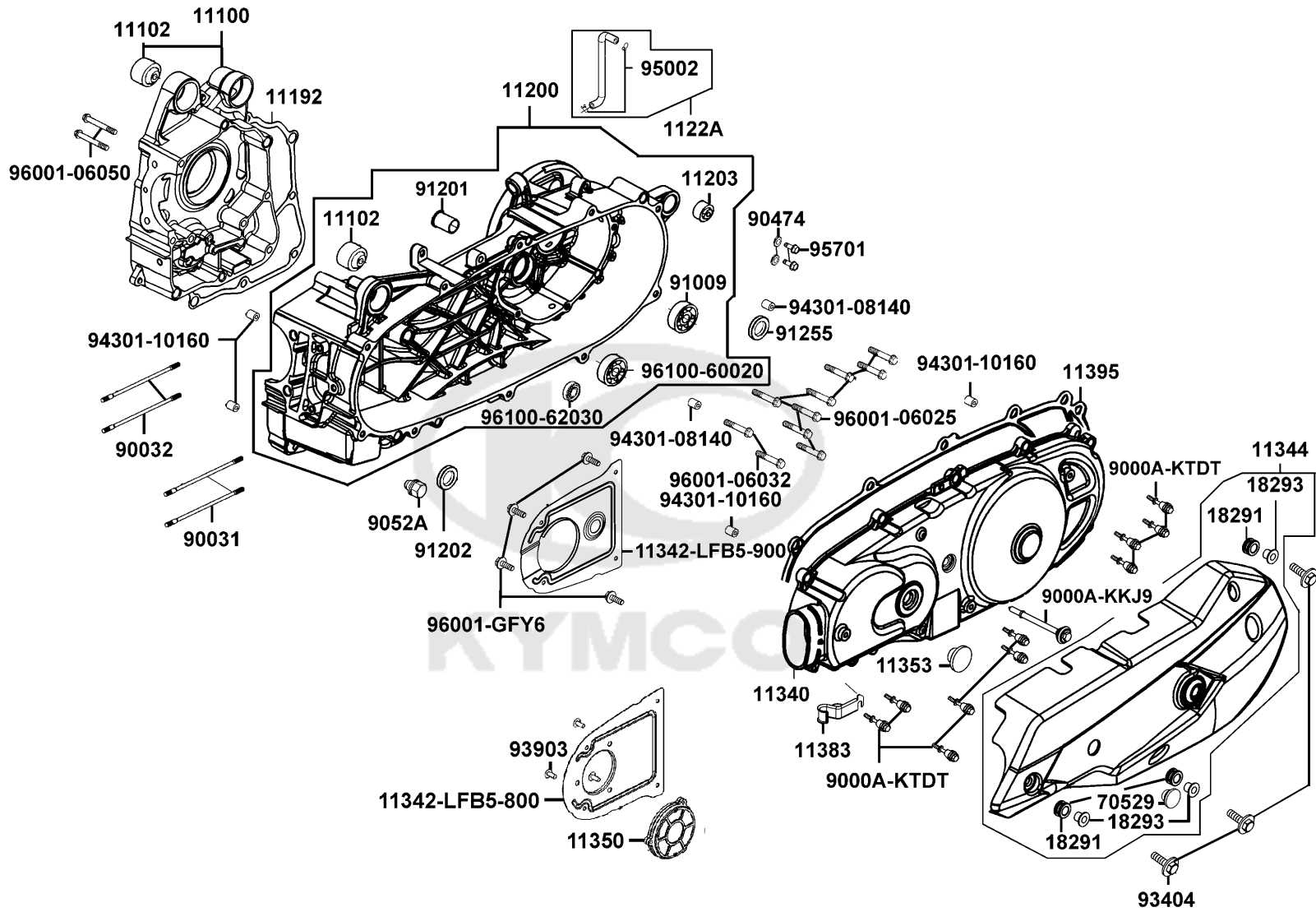




Sales mark	Ref no	Part no	Description	Reg description	Regd no	E01
	9000A-KTDT	9000A-KTDT-900	BOLT ASSY SPECIAL 6*29.5	BOLT ASSY SPECIAL 6*29.5	10	
	90031	90031-KHD6-900	BOLT A STUD 8*218	BOLT A STUD 8*218	2	
	90032	90032-KHD6-900	BOLT B STUD 8*210	BOLT B STUD 8*210	2	
	90474	90474-3C33-001	WASHER 8MM	WASHER 8MM	2	
	9052A	9052A-LEB1-900	BOLT ASSY DRAIN PLUG	BOLT ASSY DRAIN PLUG	1	
	91009	91009-GLE0-004	BRG BALL RADIAL 6004 UU	BRG BALL RADIAL 6004 UU	1	
	91201	91201-LFB5-900	BUSH.MISSION	BUSH.MISSION	1	
	91202	91202-LEB1-900	OIL SEAL 25*35*5	OIL SEAL 25*35*5	1	
	91255	91255-GLE0-006	OIL SEAL 27*42*7	OIL SEAL 27*42*7	1	
	93404	93404-06025-06	BOLT WASHER 6*25	BOLT WASHER 6*25	1	
	93903	93903-25260	SCREW TAPPING 5*12	SCREW TAPPING 5*12	3	
	94301-08140	94301-08140	PIN A DOWEL 8*14	PIN A DOWEL 8*14	2	
	94301-10160	94301-10160	DOWEL PIN 10*16	DOWEL PIN 10*16	4	
	95002	95002-50000	CLIP C9 TUBE	CLIP C9 TUBE	2	
	95701	95701-08012-08	BOLT FLANGE 8X12	BOLT FLANGE 8X12	2	
	96001-06025	96001-06025-08	BOLT FLANGE SH 6*25	BOLT FLANGE SH 6*25	8	
	96001-06032	96001-06032-08	BOLT FLANGE 6*32	BOLT FLANGE 6*32	2	
	96001-06050	96001-06050-08	BOLT FLANGE SH 6*50	BOLT FLANGE SH 6*50	2	
	96001-GFY6	96001-GFY6-900	BOLT SPECIAL 5*10	BOLT SPECIAL 5*10	4	
	96100-60020	96100-60020-00	BRG BALL RADIAL 6002	BRG BALL RADIAL 6002	1	

E01

# Crank Case



Sales mark	Ref no	Part no	Description	Reg description	Regd no	<b>E01</b>
------------	--------	---------	-------------	-----------------	---------	------------

96100-62030

96100-62030-00

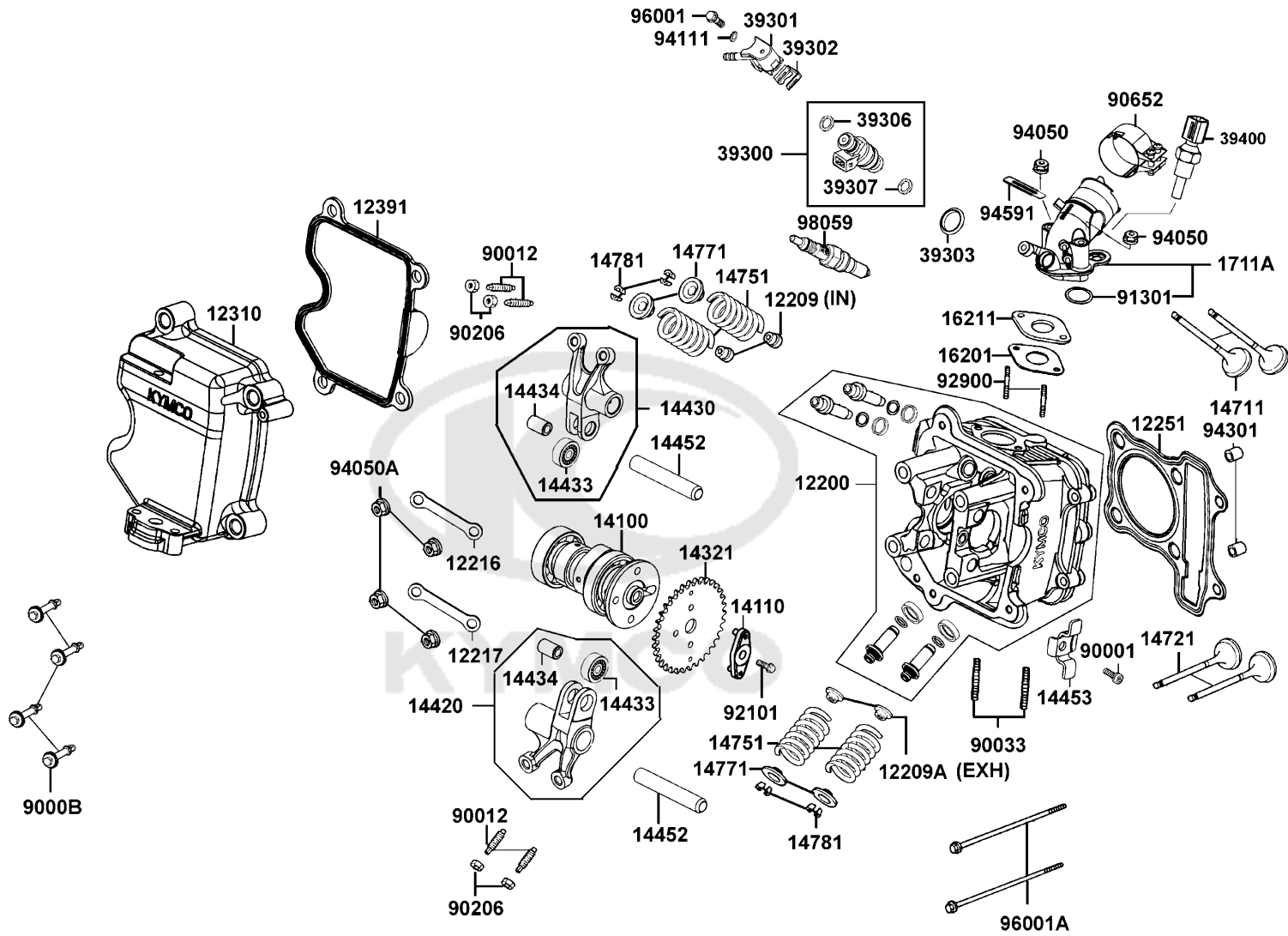
BRG BALL 6203

BRG BALL 6203

1

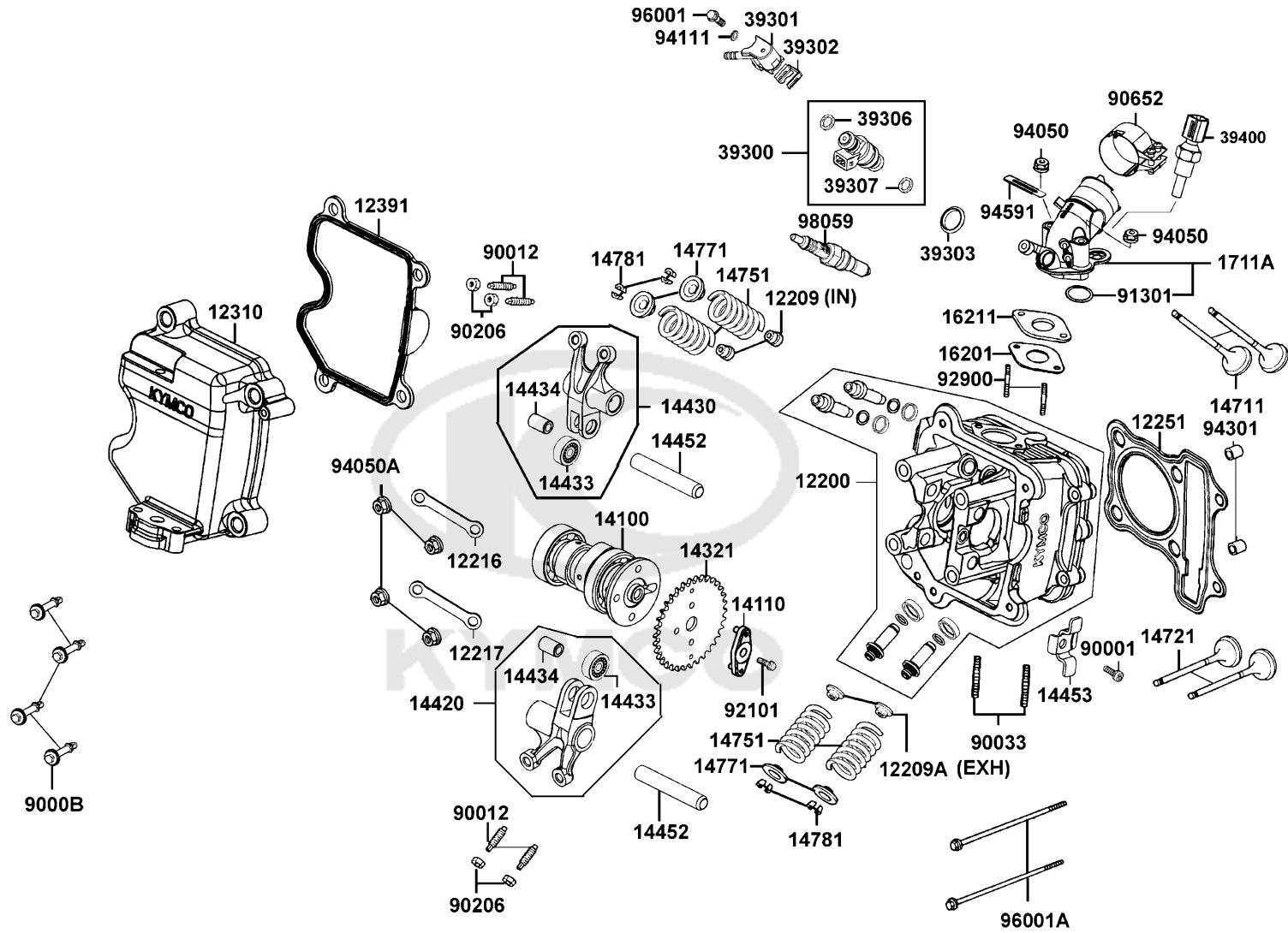


# Cylinder Head Cover Cylinder Head



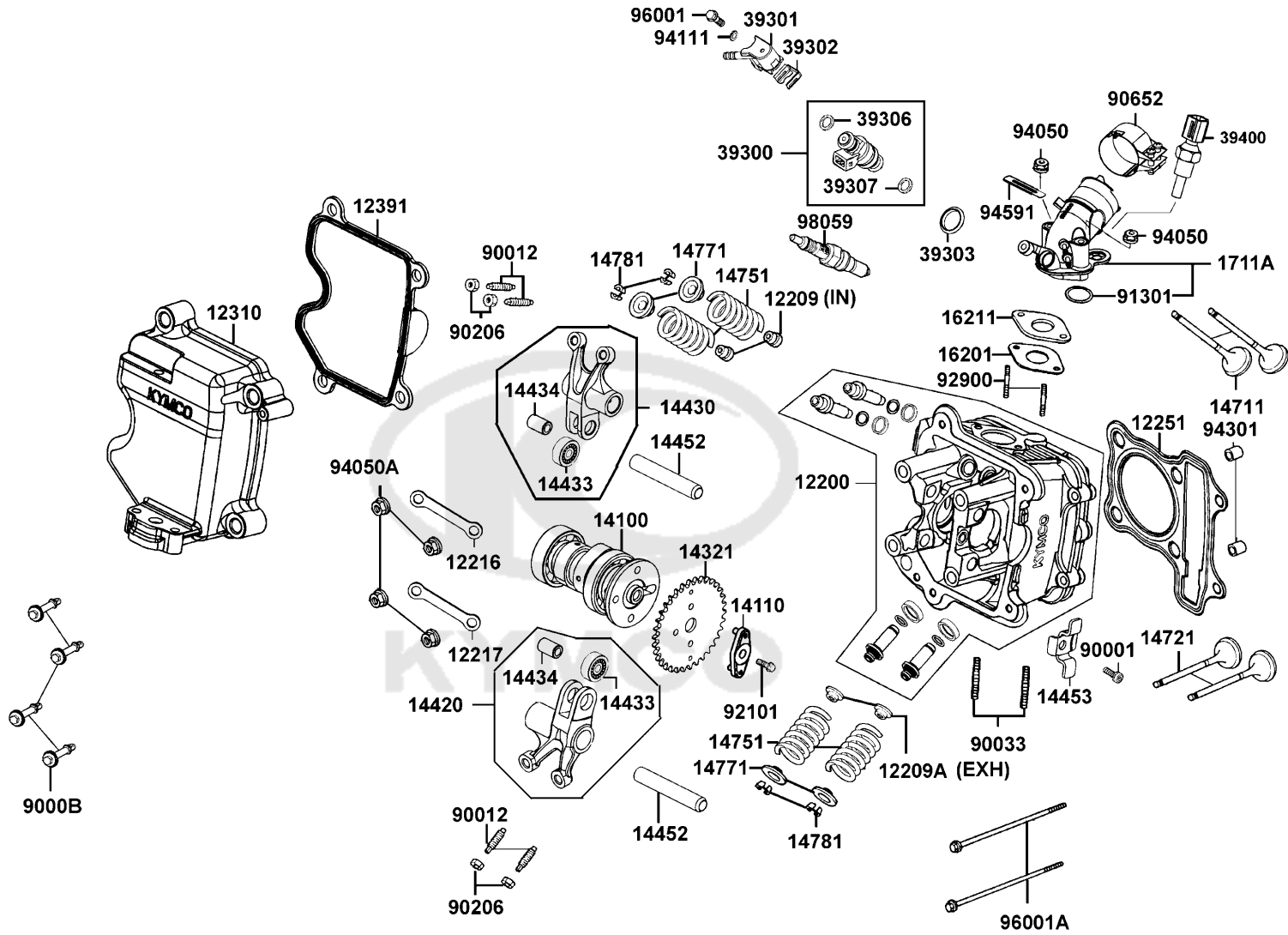
Sales mark	Ref no	Part no	Description	Reg description	Regd no	<b>E02</b>
12200		12200-LEB2-E00	HEAD COMP..CYLN	HEAD COMP..CYLN	1	
12200		12200-LEB2-E01	HEAD COMP	HEAD COMP	1	
12209		12209-GDB4-68A	SEAL VALVE STEM	SEAL VALVE STEM	2	
12209A		12209-KHD6-900	SEAL VALVE STEM	SEAL VALVE STEM	2	
12216		12216-LEB1-900	FORK A CAM HOLDER	FORK A CAM HOLDER	1	
12217		12217-LEB1-900	FORK B CAM HOLDER	FORK B CAM HOLDER	1	
12251		12251-LEB1-900	GASKET.CYLINDER HEAD	GASKET.CYLINDER HEAD	1	
12310		12310-LKE6-900	COVER COMP HEAD	COVER COMP HEAD	1	
12391		12391-LEB1-900	GASKET HEAD COVER	GASKET HEAD COVER	1	
14100		14100-LEB1-920	SHAFT COMP..CAM	SHAFT COMP..CAM	1	
14110		14110-LEB1-900	FIXTURE CAMSHAFT	FIXTURE CAMSHAFT	1	
14321		14321-LEB1-900	SPROCKET CAM	SPROCKET CAM	1	
14420		14420-LEB1-900	ARM COMP EXH VALVE ROCKER	ARM COMP EXH VALVE ROCKER	1	
14430		14430-LEB1-900	ARM COMP IN VALVE ROCKER	ARM COMP IN VALVE ROCKER	1	
14433		14433-LEB1-900	ROLLER ASSY ROCKER ARM	ROLLER ASSY ROCKER ARM	2	
14434		14434-LEB1-900	PIN ROCKER ARM	PIN ROCKER ARM	2	
14452		14452-LEB1-900	SHAFT EXH ROCKER ARM	SHAFT EXH ROCKER ARM	2	
14452		14452-LFA7-E00	SHAFT ROCKER ARM	SHAFT ROCKER ARM	2	
14453		14453-LEB1-910	SET PLATE ROCKER ARM SHAFT	SET PLATE ROCKER ARM SHAFT	1	
14453		14453-LKE6-900	SET PLATE. ROCKER ARM SHAFT	SET PLATE. ROCKER ARM SHAFT	1	

Cylinder Head Cover Cylinder Head



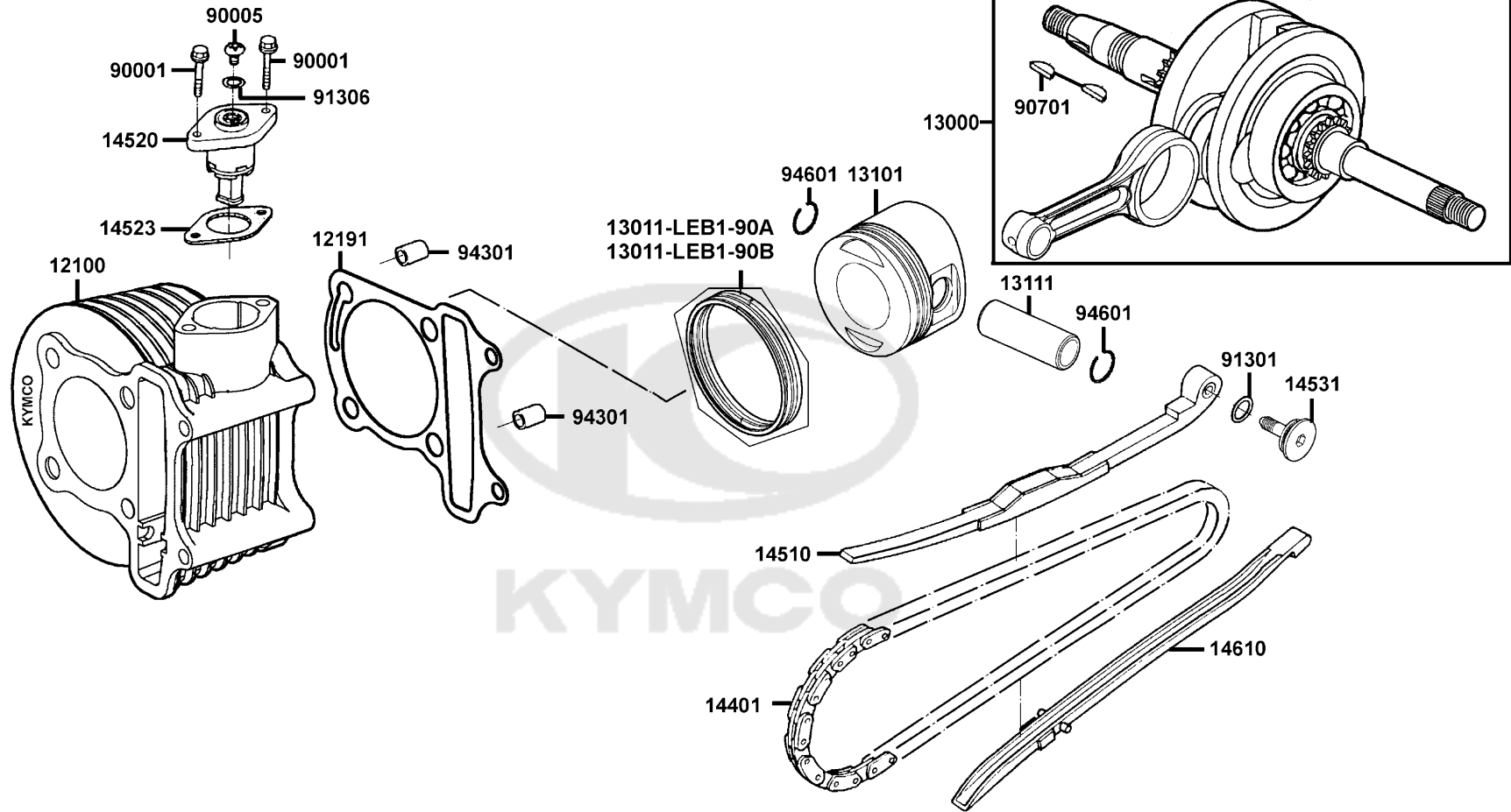
Sales mark	Ref no	Part no	Description	Reg description	Regd no	E02
	14711	14711-LEB1-900	VALVE INLET	VALVE INLET	2	
	14721	14721-LEB1-900	VALVE EXHAUST	VALVE EXHAUST	2	
	14751	14751-KHD6-900	SPG VALVE OUTER	SPG VALVE OUTER	4	
	14771	14771-KHD6-900	RETAINER VALVE SRINPG	RETAINER VALVE SRINPG	4	
	14781	14781-MFA6-001	COTTER VALVE	COTTER VALVE	8	
	16201	16201-LEB1-900	GASKET CARB INSULATOR A	GASKET CARB INSULATOR A	1	
	16211	16211-LEB1-900	INSULATOR CARB	INSULATOR CARB	1	
	1711A	1711A-LGH6-910	PIPE ASS.Y.INLET	PIPE ASS.Y.INLET	1	
	39300	39300-LEB2-800	FUEL INJECTOR	FUEL INJECTOR	1	
	39301	39301-LEB2-900	HOLDER ASSY FUEL	HOLDER ASSY FUEL	1	
	39302	39302-KKE3-900	CLIP SPRING FUEL INJECTOR	CLIP SPRING FUEL INJECTOR	1	
	39303	39303-LEB2-900	SEAL HIGH TENSION FUEL INJECT	SEAL HIGH TENSION FUEL INJECT	1	
	39306	39306-LEB2-305	O-RING A INJECTOR /BLACK	O-RING A INJECTOR /BLACK	1	
	39307	39307-LEB2-305	O-RING B INJECTOR /GREEN	O-RING B INJECTOR /GREEN	1	
	39400	39400-KKE3-800	SENSOR HEAD TEMPERATURE	SENSOR HEAD TEMPERATURE	1	
	90001	90001-GFY6-901	SOCKET BOLT 6*10	SOCKET BOLT 6*10	1	
	9000B	9000B-KHD6-900	BOLT ASSY SPECIAL 6*41.5	BOLT ASSY SPECIAL 6*41.5	4	
	90012	90012-3C33-001	SCREW TAPPET ADJUSTING	SCREW TAPPET ADJUSTING	1	
	90033	90033-GFY6-900	BOLT STUD 8*32	BOLT STUD 8*32	2	
	90206	90206-0A01-001	NUT TAPPET ADJG	NUT TAPPET ADJG	4	

# Cylinder Head Cover Cylinder Head





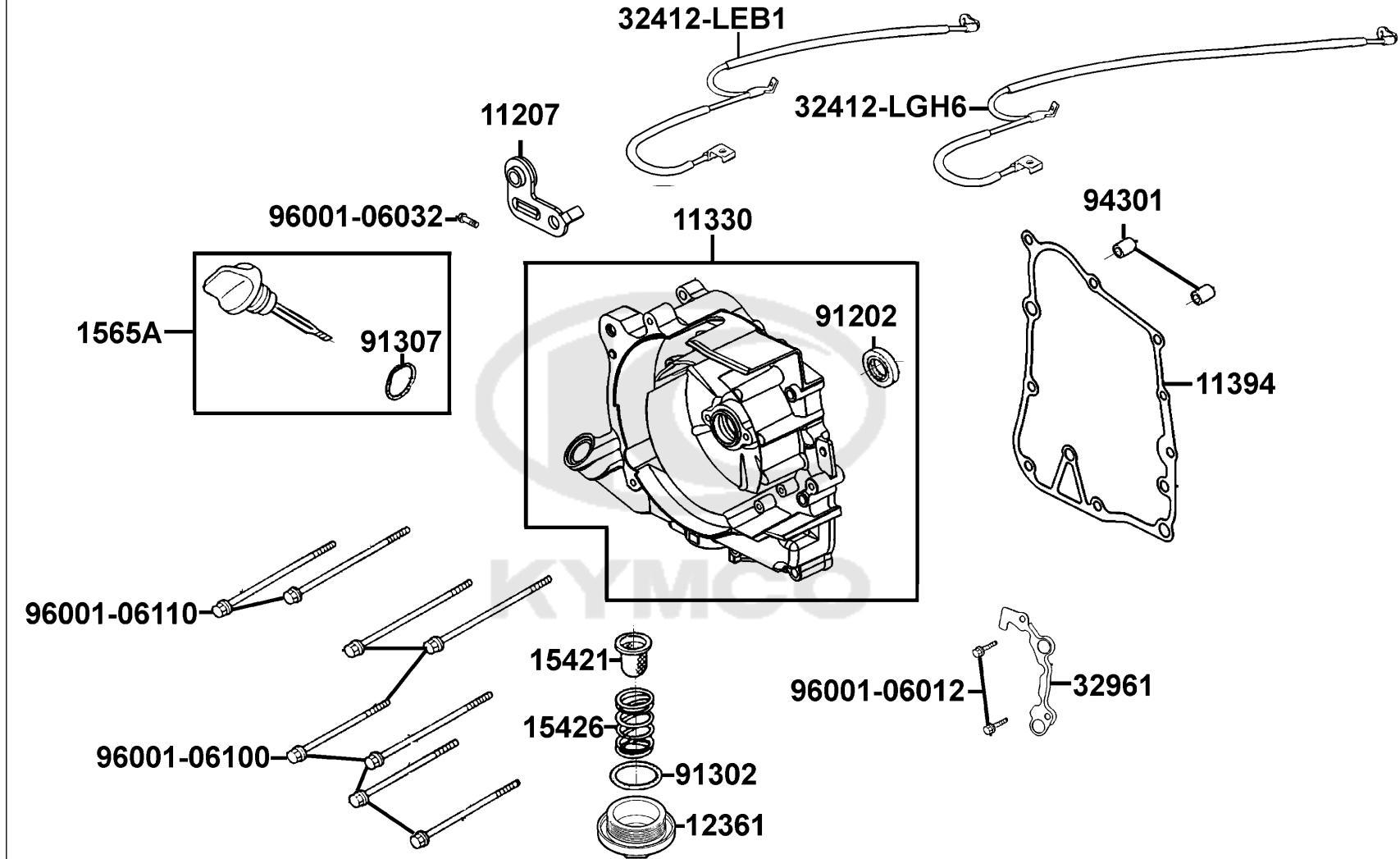
Sales mark	Ref no	Part no	Description	Reg description	Regd no	E02
	90652	90652-LGJ9-900	BAND 48 INLET-PIPE	BAND 48 INLET-PIPE	1	
	91301	91301-LEB1-900	O-RING 30*2	O-RING 30*2	1	
	92101	92101-06014-0H	BOLT HEX 6*14	BOLT HEX 6*14	1	
	92900	92900-06060-0B	BOLT STUD 6*60	BOLT STUD 6*60	2	
	94050	94050-06080	NUT FLANGE 6MM	NUT FLANGE 6MM	2	
	94050A	94050-08080	NUT FLANGE 8MM	NUT FLANGE 8MM	4	
	94111	94111-06800	WASHER SPRING 6MM	WASHER SPRING 6MM	1	
	94301	94301-10160	DOWEL PIN 10*16	DOWEL PIN 10*16	2	
	94591	94591-KFBF-900	CLIP 2*70	CLIP 2*70	1	
	96001	96001-06014-08	BOLT FLANGE 6*14	BOLT FLANGE 6*14	1	
	96001A	96001-06100-08	BOLT FLANGE SH 6*100	BOLT FLANGE SH 6*100	2	
	98059	98059-58916-00	SPARK PLUG CR8E	SPARK PLUG CR8E	1	



Sales mark	Ref no	Part no	Description	Reg description	Regd no	E03
	12100	12100-LEB1-900	CYLINDER COMP	CYLINDER COMP	1	
	12191	12191-LEB1-900	GASKET CYLINDER A	GASKET CYLINDER A	1	
	13000	13000-LGH5-900	CRANK SHAFT COMP.	CRANK SHAFT COMP.	1	
	13011-LEB1-90A	13011-LEB1-90A	RING ASSY PISTON	RING ASSY PISTON	1	
	13011-LEB1-90B	13011-LEB1-90B	RING SET PISTON	RING SET PISTON	1	
	13101	13101-LEB1-90A	PISTON	PISTON	1	
	13111	13111-3D84-001	PIN PISTON	PIN PISTON	1	
	14401	14401-KUDU-900	CHAIN CAM	CHAIN CAM	1	
	14510	14510-LEB1-900	TENSIONER CAM CHAIN	TENSIONER CAM CHAIN	1	
	14520	14520-LFA7-E00	LIFTER ASSY TENSIONER	LIFTER ASSY TENSIONER	1	
	14523	14523-KED9-900	GASKET TENSIONER LIFTER @A	GASKET TENSIONER LIFTER @A	1	
	14531	14531-GLR0-001	PIVOT CAM CHAIN TENSIONER	PIVOT CAM CHAIN TENSIONER	1	
	14610	14610-LEB1-900	GUIDE COMP CAM CHAIN	GUIDE COMP CAM CHAIN	1	
	90001	90001-GBHB-661	BOLT FLANGE SH 6*22	BOLT FLANGE SH 6*22	2	
	90005	90005-KAW1-901	SCREW PAN 6*6	SCREW PAN 6*6	1	
	90701	90701-HFB6-011	KEY WOODRUFF 25*14*4	KEY WOODRUFF 25*14*4	1	
	91301	91301-GLR0-005	O-RING 15.2*1.5	O-RING 15.2*1.5	1	
	91306	91306-1E05-691	O-RING 1.5*9.5	O-RING 1.5*9.5	1	
	94301	94301-10160	DOWEL PIN 10*16	DOWEL PIN 10*16	2	
	94601	94601-15000	CLIP PISTON PIN 15MM	CLIP PISTON PIN 15MM	2	

E04

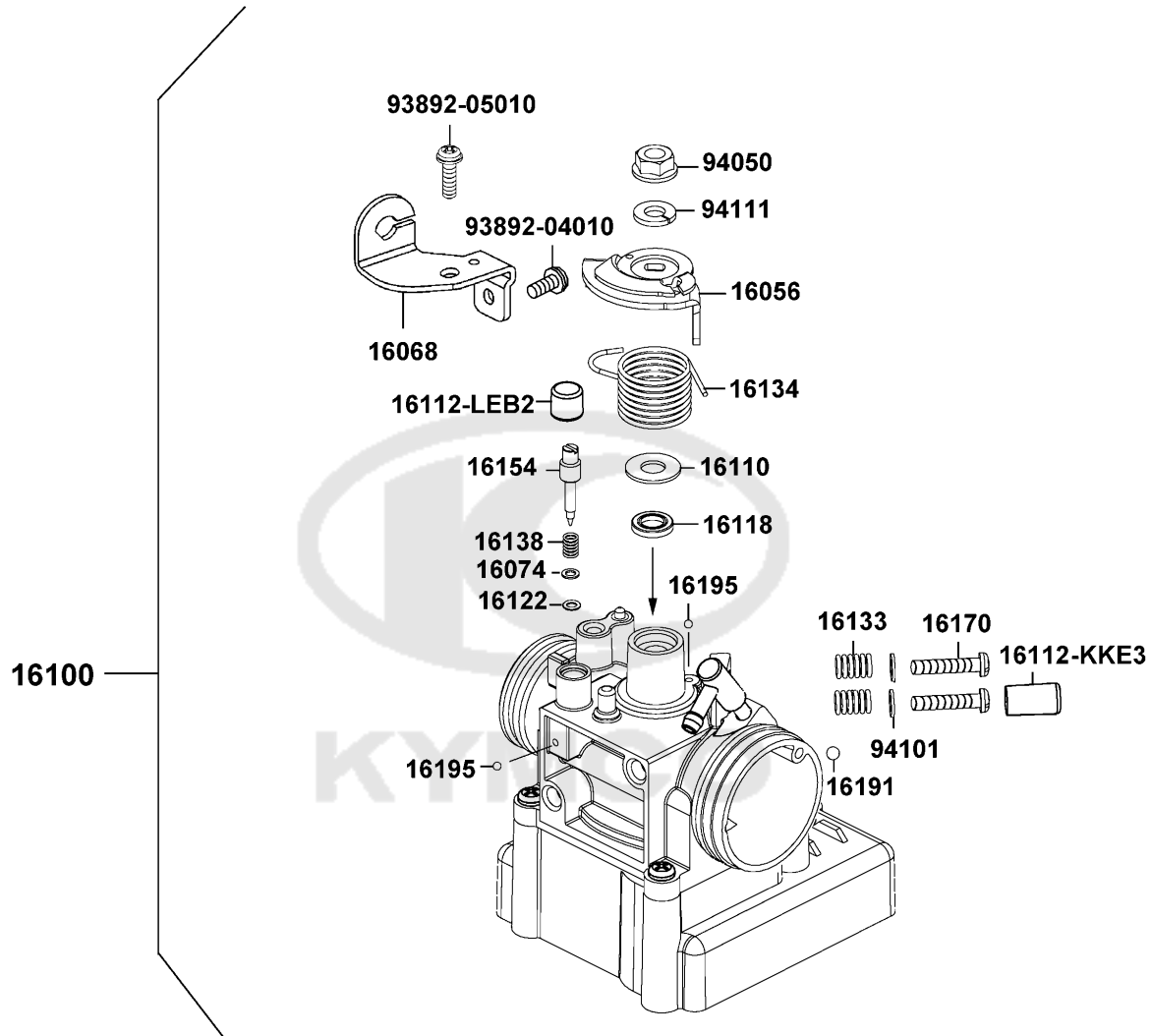
# Right Crankcase Cover



Sales mark	Ref no	Part no	Description	Reg description	Regd no	<b>E04</b>
	11207	11207-LFB5-900	STAY B RR FENDER	STAY B RR FENDER	1	
	11330	11330-LEB1-900	COVER R CRANK CASE	COVER R CRANK CASE	1	
	11394	11394-LEB1-900	GASKET. R COVER @A	GASKET. R COVER @A	1	
	12361	12361-GFY6-901	HOLE CAP TAPPET ADJUSTING	HOLE CAP TAPPET ADJUSTING	1	
	15421	15421-1G07-001	SCREEN OIL FILTER	SCREEN OIL FILTER	1	
	15426	15426-GAE1-921	SPG OIL FILTER SCREEN	SPG OIL FILTER SCREEN	1	
	1565A	1565A-KUDU-900	GAUGE OIL LEVEL ASSY	GAUGE OIL LEVEL ASSY	1	
	32412-LEB1	32412-LEB1-900	CABLE EARTH	CABLE EARTH	1	
	32412-LGH6	32412-LGH6-910	CABLE. EARTH	CABLE. EARTH	1	
	32961	32961-LEB1-900	CLAMPER ACG CORD	CLAMPER ACG CORD	1	
	91202	91202-GFY6-90B	OIL SEAL 19.8*30*5	OIL SEAL 19.8*30*5	1	
	91302	91302-0A01-021	O-RING 30.8MM	O-RING 30.8MM	1	
	91307	91307-0E35-001	O RING 18*3	O RING 18*3	1	
	94301	94301-10160	DOWEL PIN 10*16	DOWEL PIN 10*16	2	
	96001-06012	96001-06012-08	BOLT FLANGE SH 6*12	BOLT FLANGE SH 6*12	2	
	96001-06032	96001-06032-08	BOLT FLANGE 6*32	BOLT FLANGE 6*32	1	
	96001-06100	96001-06100-08	BOLT FLANGE SH 6*100	BOLT FLANGE SH 6*100	6	
	96001-06110	96001-06110-08	BOLT FLANGE SH 6*110	BOLT FLANGE SH 6*110	2	

E05

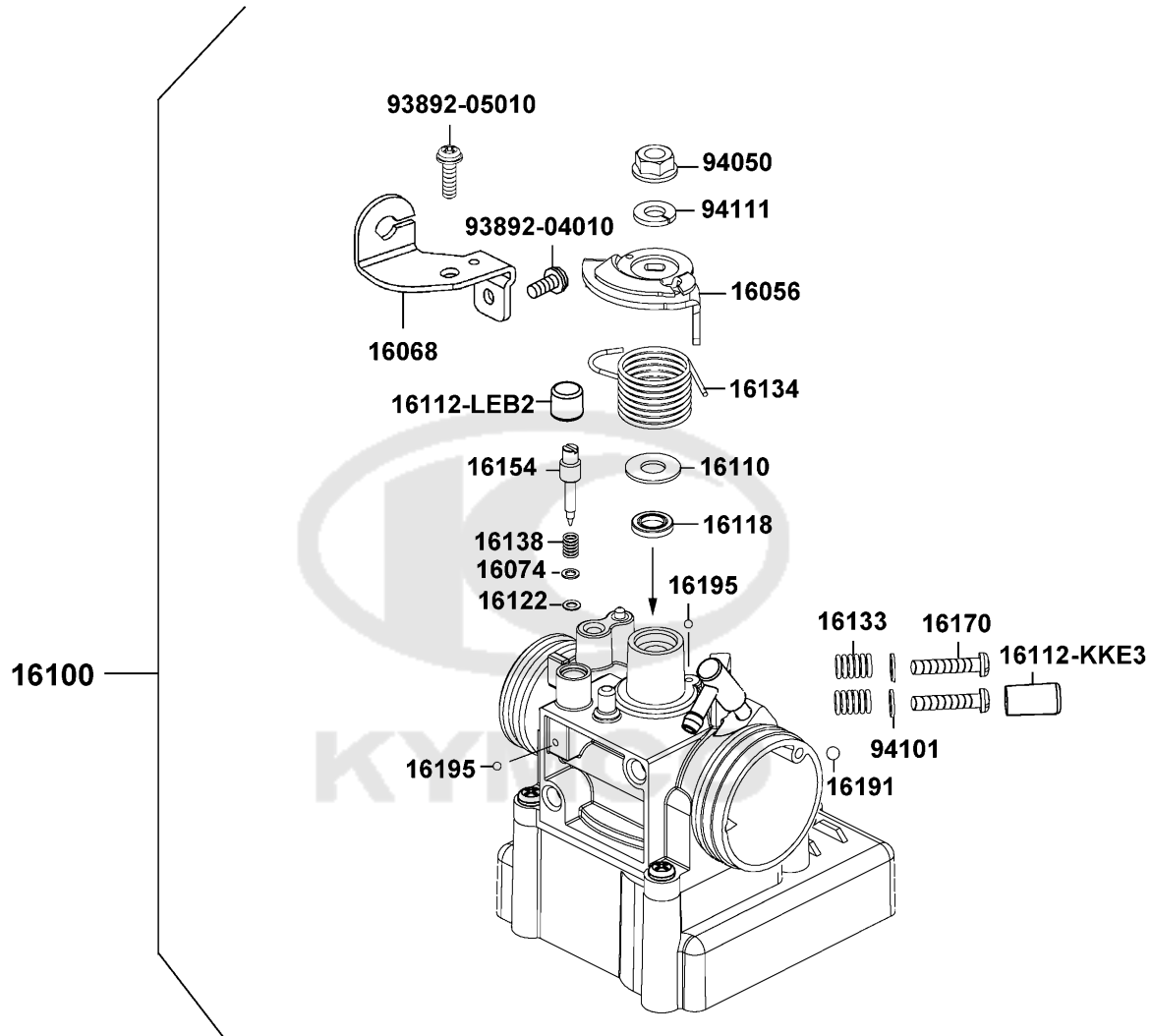
# Throttle Body Assy



Sales mark	Ref no	Part no	Description	Reg description	Regd no	<b>E05</b>
16056		16056-LEB2-900	LEVER ASSY..THROTTLE	LEVER ASSY..THROTTLE	1	
16068		16068-LEB2-900	PLATE WIRE FIXED	PLATE WIRE FIXED	1	
16074		16074-KEC3-900	WASHER IDLE SCREW	WASHER IDLE SCREW	1	
16100		16100-LGH6-E00	THROTTLE BODY ASS.Y	THROTTLE BODY ASS.Y	1	
16110		16110-KKE3-900	WASHER THROTTLE COMP	WASHER THROTTLE COMP	2	
16112-KKE3		16112-KKE3-900	COVER IDLE SCREW	COVER IDLE SCREW	1	
16112-LEB2		16112-LEB2-900	COVER IDLE BYPASS	COVER IDLE BYPASS	1	
16118		16118-KEC3-900	SEAL THROTTLE SHAFT	SEAL THROTTLE SHAFT	1	
16122		16122-KEC3-900	O-RING IDLE SCREW	O-RING IDLE SCREW	1	
16133		16133-KEC3-900	SPG THROTTLE ADJ SCREW	SPG THROTTLE ADJ SCREW	2	
16134		16134-KKE3-900	SPRING THROTTLE SHAFT	SPRING THROTTLE SHAFT	1	
16138		16138-KGC5-900	SPRING IDLE ADJUST SCREW	SPRING IDLE ADJUST SCREW	1	
16154		16154-KKE3-900	SCREW IDLE ADJUST	SCREW IDLE ADJUST	1	
16170		16170-KEC3-900	SCREW THROTTLE ADJUST	SCREW THROTTLE ADJUST	2	
16191		16191-KEC3-900	BALL 3.2	BALL 3.2	1	
16195		16195-KEC3-900	BALL 2.1	BALL 2.1	1	
93892-04010		93892-04010-08	SCREW WASHER 4*10	SCREW WASHER 4*10	1	
93892-05010		93892-05010-08	SCREW WASHER 5*10	SCREW WASHER 5*10	1	
94050		94050-06080	NUT FLANGE 6MM	NUT FLANGE 6MM	1	
94101		94101-KKE3-900	WASHER SPG 4MM	WASHER SPG 4MM	2	

E05

# Throttle Body Assy





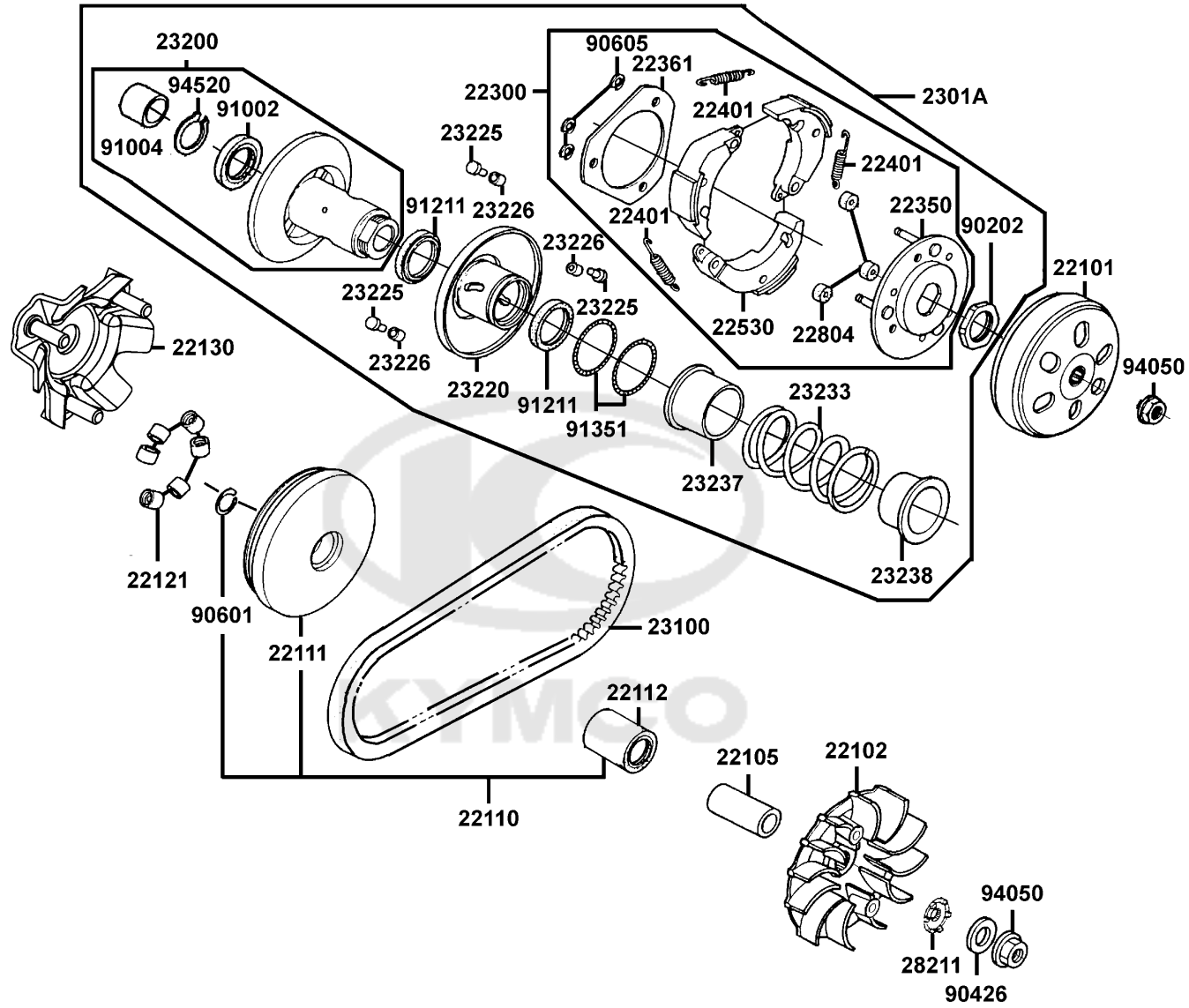
Sales mark	Ref no	Part no	Description	Reg description	Regd no	<b>E05</b>
------------	--------	---------	-------------	-----------------	---------	------------

94111	94111-06800	WASHER SPRING 6MM	WASHER SPRING 6MM		1	
-------	-------------	-------------------	-------------------	--	---	--



E06

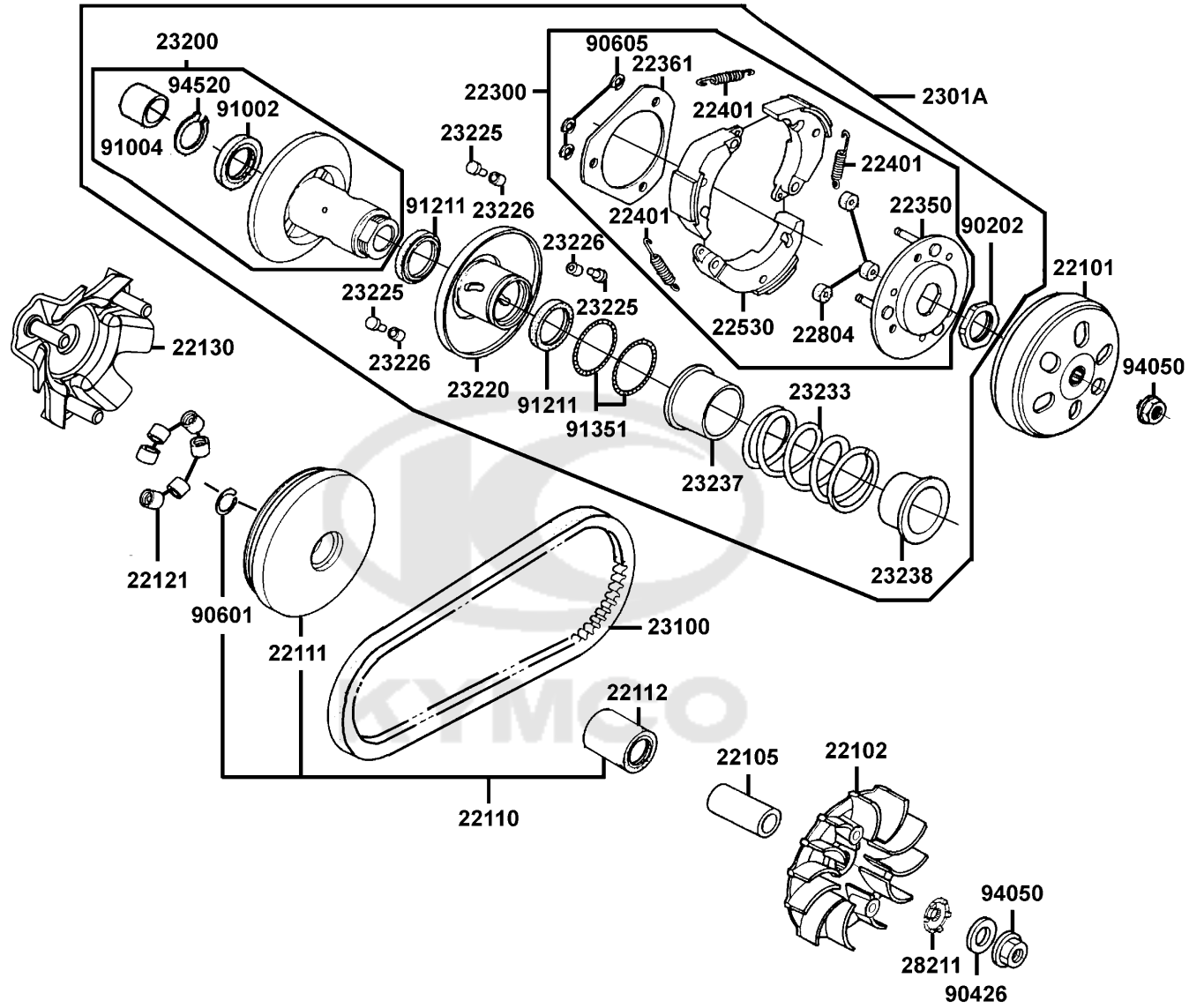
# Pulley



Sales mark	Ref no	Part no	Description	Reg description	Regd no	<b>E06</b>
22101		22101-GFY6-941	CLUTCH OUTER	CLUTCH OUTER	1	
22101		22101-KEBE-900	OUTER CLUTCH	OUTER CLUTCH	1	
22102		22102-LEB1-900	FACE DRIVE	FACE DRIVE	1	
22105		22105-LEB2-900	BOSS,DRIVE FACE	BOSS,DRIVE FACE	1	
22110		22110-LEB1-800	FACE COMP MOVABLE DRIVE	FACE COMP MOVABLE DRIVE	1	
22111		22111-LEB1-800	FACE MOVABLE DRIVE	FACE MOVABLE DRIVE	1	
22112		22112-GFY6-90A	BUSH 24*28*30	BUSH 24*28*30	1	
22121		22121-GFY6-90A	ROLLER COMP WEIGHT	ROLLER COMP WEIGHT	6	
22130		22130-LEB1-800	RAMP PLATE COMP	RAMP PLATE COMP	1	
22300		22300-LGH6-900	PLATE ASS.Y.DRIVE	PLATE ASS.Y.DRIVE	1	
22300		22300-LHJ3-900	PLATE ASSY DRIVE	PLATE ASSY DRIVE	1	
22350		22350-KGN7-671	PLATE COMP DRIVE	PLATE COMP DRIVE	1	
22350		22350-LHJ3-900	PLATE COMP DRIVE	PLATE COMP DRIVE	1	
22361		22361-KGN7-671	PLATE CLUTCH SIDE	PLATE CLUTCH SIDE	1	
22361		22361-LHJ3-900	PLATE CLUTCH SIDE	PLATE CLUTCH SIDE	1	
22401		22401-LCD4-E00	SPG CLUTCH	SPG CLUTCH	3	
22401		22401-LHJ3-900	SPRING CLUTCH	SPRING CLUTCH	3	
22530		22530-LHJ3-900	WEIGHT CLUTCH	WEIGHT CLUTCH	3	
22530		22530-LKE7-900	WEIGHT CLUTCH	WEIGHT CLUTCH	1	
22804		22804-GBB2-001	RUBBER CLUTCH DUMRER	RUBBER CLUTCH DUMRER	3	

E06

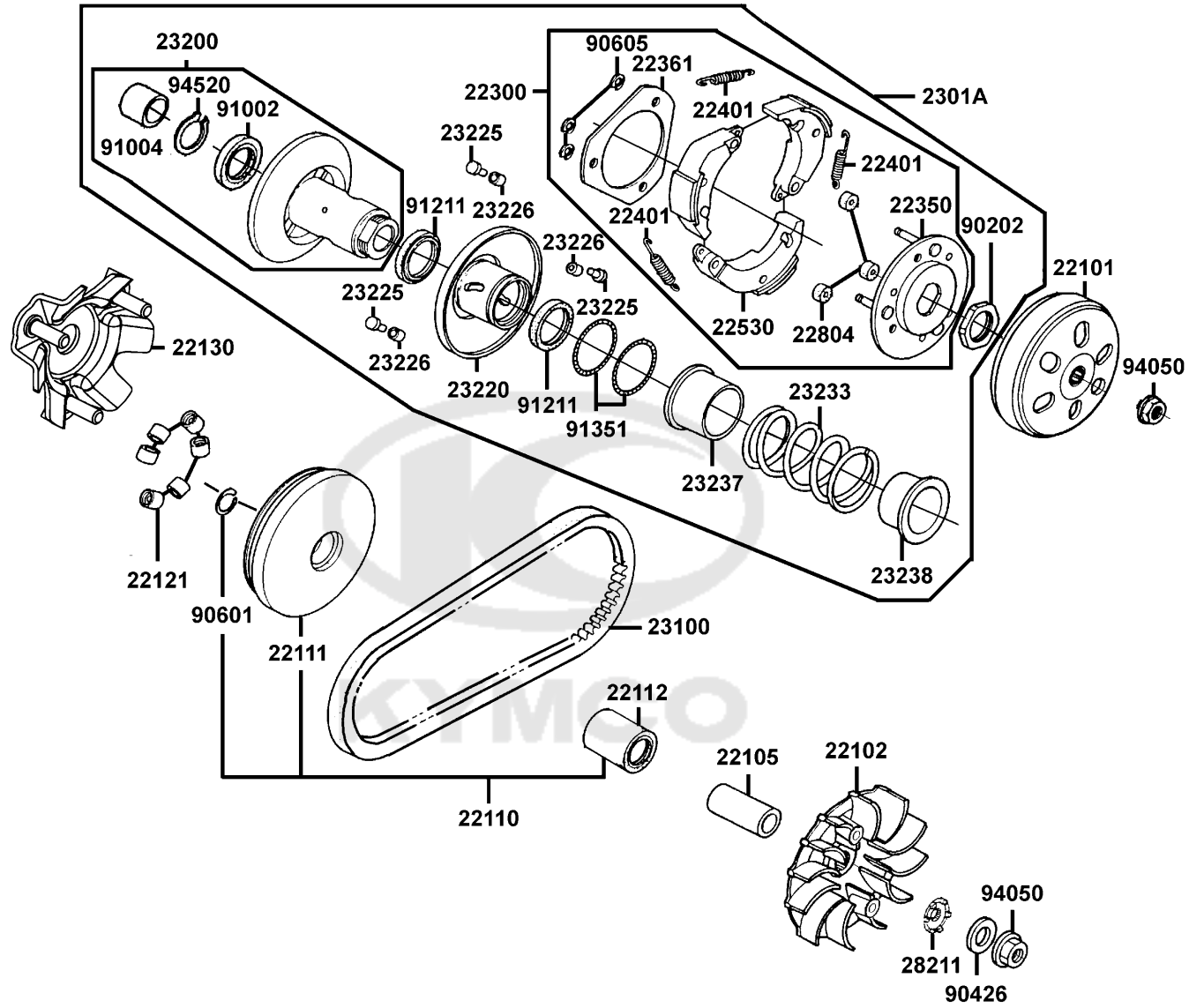
# Pulley



Sales mark	Ref no	Part no	Description	Reg description	Regd no	E06
	2301A	2301A-LGH6-900	PULLEY SUB ASSY	PULLEY SUB ASSY	1	
	2301A	2301A-LKE6-910	PULLEY SUB ASSY	PULLEY SUB ASSY	1	
	23100	23100-LGH5-90A	BELT DRIVE	BELT DRIVE	1	
	23200	23200-LFE2-900	FACE ASSY DRIVEN(2007.04.04-)	FACE ASSY DRIVEN(2007.04.04-)	1	
	23220	23220-GFY6-921	MOVABLE DRIVEN FACE COMP	MOVABLE DRIVEN FACE COMP	1	
	23225	23225-GHC8-004	PIN ROLLER GUIDE	PIN ROLLER GUIDE	3	
	23226	23226-GHC8-004	ROLLER GUIDE	ROLLER GUIDE	3	
	23233	23233-LFB6-910	SPG DRIVEN FACE	SPG DRIVEN FACE	1	
	23237	23237-GFY6-941	COLLAR SEAL	COLLAR SEAL	1	
	23238	23238-LEB1-910	COLLAR SPRING	COLLAR SPRING	1	
	23238	23238-LKE7-900	COLLAR SPG	COLLAR SPG	1	
	28211	28211-KFC8-900	RATCHET KICK STARTER	RATCHET KICK STARTER	1	
	90202	90202-1G87-001	NUT SPECIAL 28MM	NUT SPECIAL 28MM	1	
	90426	90426-KNBN-901	WASHER SPECIAL 12MM	WASHER SPECIAL 12MM	1	
	90601	90601-GFY6-901	CLIP 28MM	CLIP 28MM	1	
	90605	90605-1F66-721	CIR CLIP 7MM	CIR CLIP 7MM	3	
	91002	91002-GGA7-70A	BRG BALL RADIAL 6902U 15*28*7	BRG BALL RADIAL 6902U 15*28*7	1	
	91004	91004-KHE7-900	BRG NDL 22*29*18	BRG NDL 22*29*18	1	
	91211	91211-KEBE-900	SEAL DRIVEN FACE 34*41*4	SEAL DRIVEN FACE 34*41*4	2	
	91351	91351-6B42-000	O-RING PINION CAP	O-RING PINION CAP	2	

E06

# Pulley

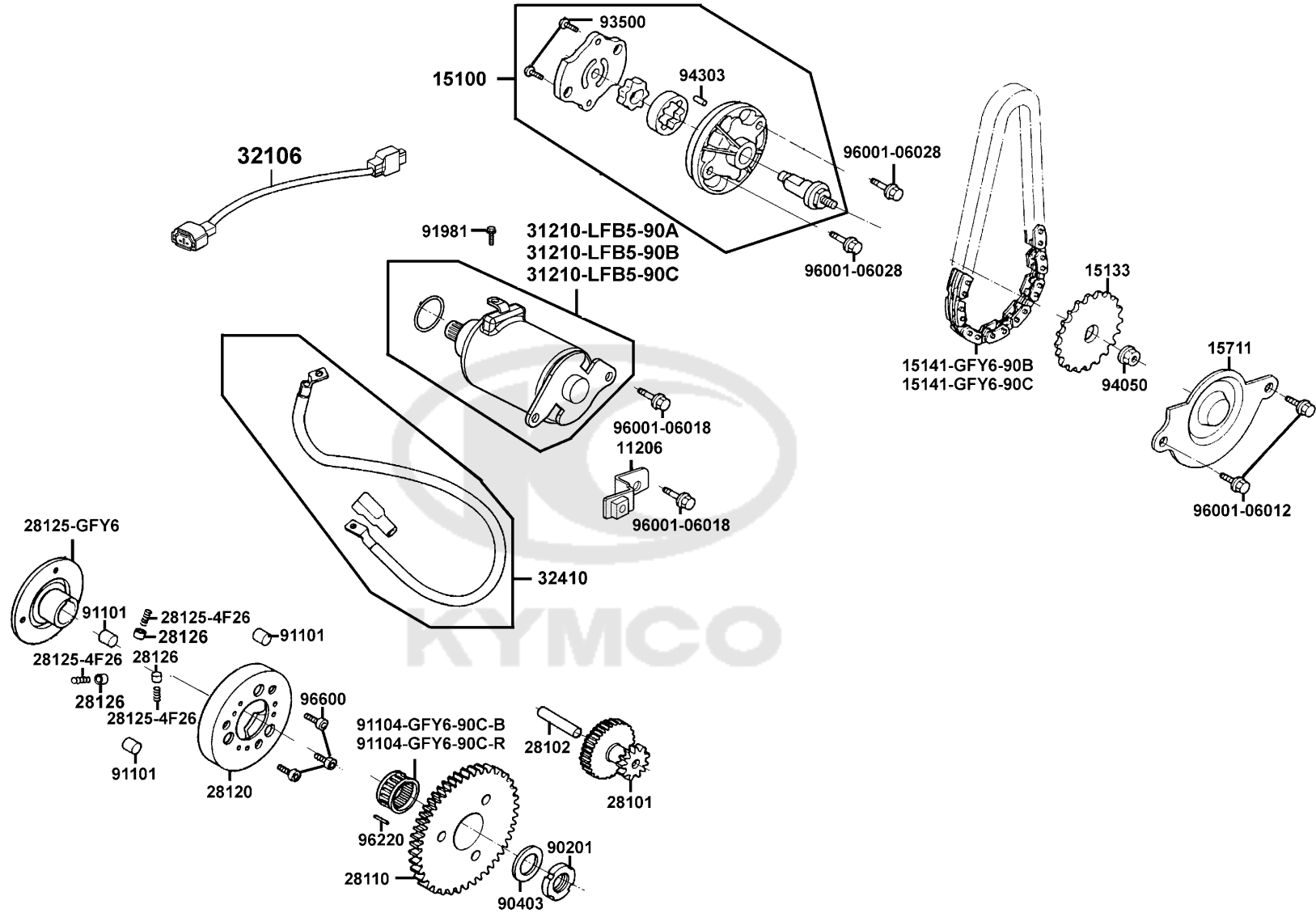


Sales mark	Ref no	Part no	Description	Reg description	Regd no	<b>E06</b>
------------	--------	---------	-------------	-----------------	---------	------------

	94050	94050-12080	NUT FLANGE 12MM	NUT FLANGE 12MM	2	
	94520	94520-28000	CIR CLIP IN 28MM	CIR CLIP IN 28MM	1	



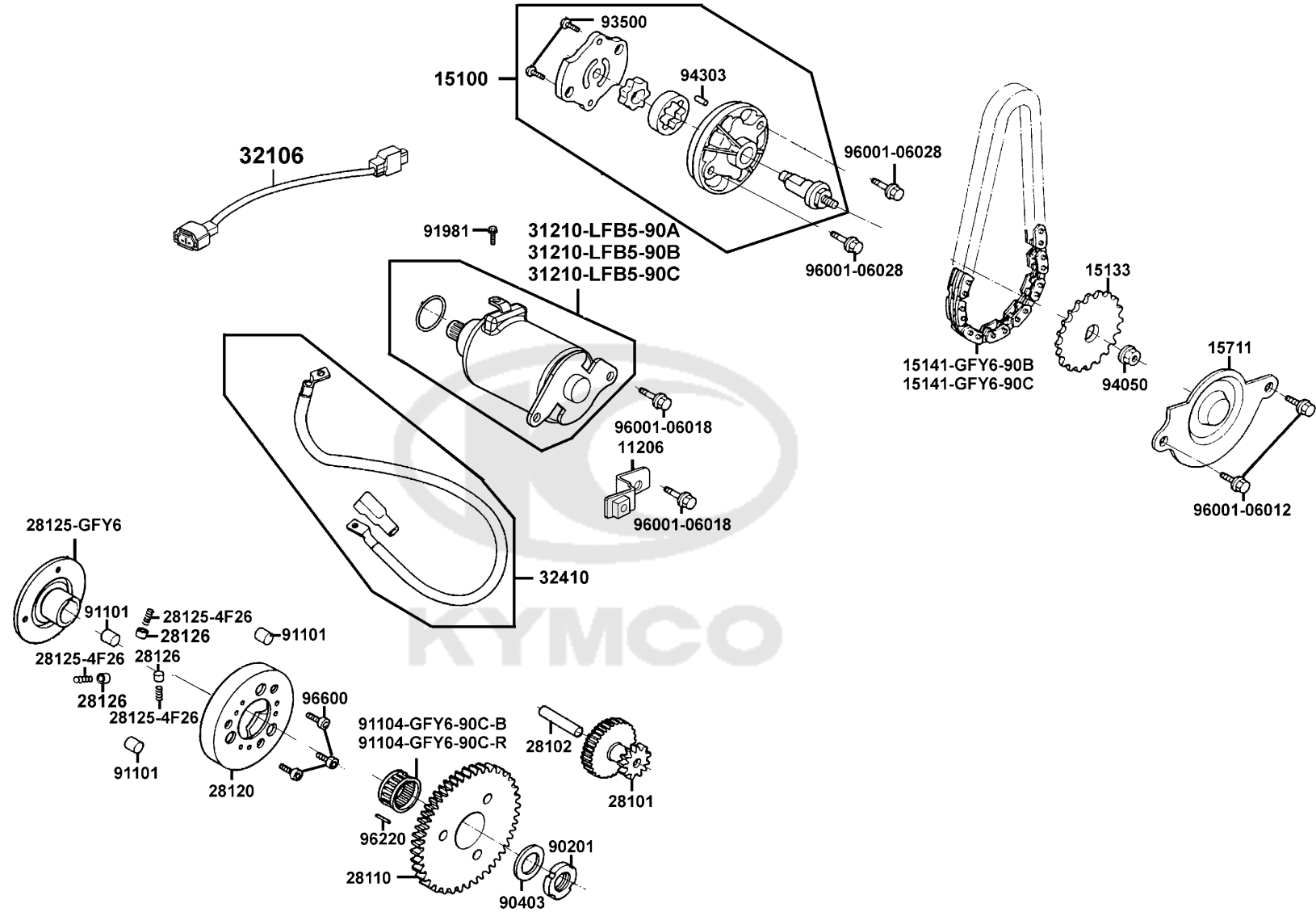
# Starting Motor Oil Pump





Sales mark	Ref no	Part no	Description	Reg description	Regd no	E07
	11206	11206-LFB5-900	STAY A RR FENDER	STAY A RR FENDER	1	
	15100	15100-KFB7-900	PUMP ASSY OIL	PUMP ASSY OIL	1	
	15133	15133-GFY6-901	SPROCKET OIL PUMP DRIVEN	SPROCKET OIL PUMP DRIVEN	1	
	15141-GFY6-90B	15141-GFY6-90B	CHAIN OIL PUMP	CHAIN OIL PUMP	1	
	15141-GFY6-90C	15141-GFY6-90C	CHAIN OIL PUMP	CHAIN OIL PUMP	1	
	15711	15711-GFY6-901	SEPARATER OIL	SEPARATER OIL	1	
	28101	28101-GFY6-200	GEAR STARTER REDUCTION	GEAR STARTER REDUCTION	1	
	28102	28102-GFY6-901	SHAFT START REDUCTION GEAR	SHAFT START REDUCTION GEAR	1	
	28110	28110-LEB1-900	GEAR COMP STARTING CLUTCH	GEAR COMP STARTING CLUTCH	1	
	28120	28120-GFY6-315	OUTER COMP STARTING CLUTCH	OUTER COMP STARTING CLUTCH	1	
	28125-4F26	28125-4F26-001	SPRING ROLLER STARTER CLUTCH	SPRING ROLLER STARTER CLUTCH	3	
	28125-GFY6	28125-GFY6-960	FLANGE STARTING CLUTCH	FLANGE STARTING CLUTCH	1	
	28126	28126-KUDU-900	CAP STARTING ROLLER SPRING	CAP STARTING ROLLER SPRING	3	
	31210-LFB5-90A	31210-LFB5-90A	MOTOR UNIT START	MOTOR UNIT START	1	
	31210-LFB5-90B	31210-LFB5-90B	MOTOR UNIT. START	MOTOR UNIT. START	1	
	31210-LFB5-90C	31210-LFB5-90C	MOTOR UNIT. START	MOTOR UNIT. START	1	
	32106	32106-KKE3-900	SUB HARNESS A	SUB HARNESS A	1	
	32410	32410-LEB1-900	CABLE START MOTOR	CABLE START MOTOR	1	
	90201	90201-GFY6-901	NUT LOCK 22MM	NUT LOCK 22MM	1	
	90403	90403-GFY6-901	WASHER THRUST 22.2*31*2.5	WASHER THRUST 22.2*31*2.5	1	

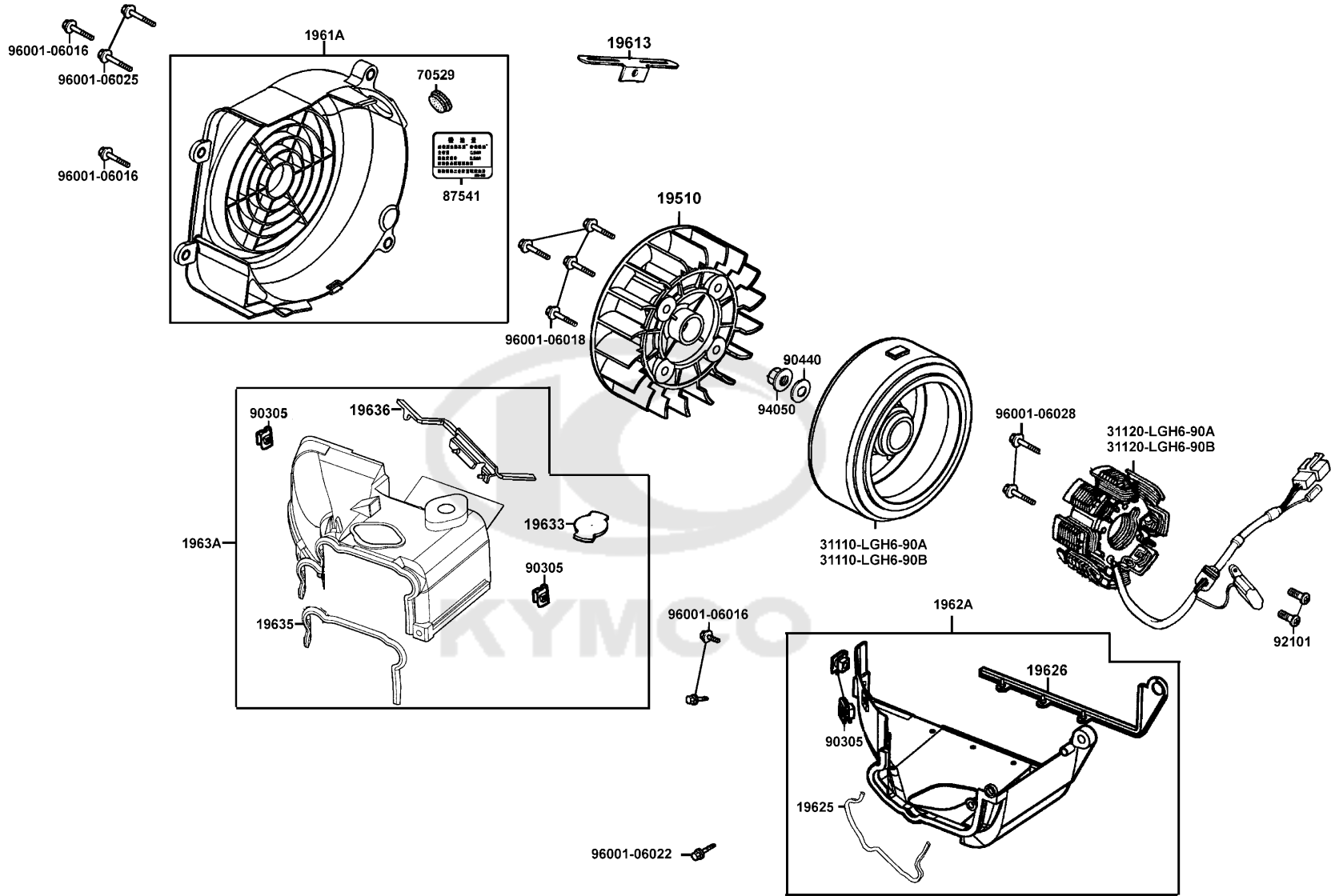
# Starting Motor Oil Pump



Sales mark	Ref no	Part no	Description	Reg description	Regd no	E07
91101		91101-1K79-711	ROLLER 10*10	ROLLER 10*10	3	
91104-GFY6-90C-B		91104-GFY6-90C-B	BRG NEEDLE 28*32*17	BRG NEEDLE 28*32*17	1	
91104-GFY6-90C-R		91104-GFY6-90C-R	BRG NEEDLE 28*32*17	BRG NEEDLE 28*32*17	1	
91981		91981-KGN7-670	SCREW WASH 5*8	SCREW WASH 5*8	1	
93500		93500-03010-1A	SCREW PAN 3*12	SCREW PAN 3*12	1	
94050		94050-06080	NUT FLANGE 6MM	NUT FLANGE 6MM	1	
94303		94303-04065	PIN C DOWEL 4*6.5	PIN C DOWEL 4*6.5	1	
96001-06012		96001-06012-08	BOLT FLANGE SH 6*12	BOLT FLANGE SH 6*12	2	
96001-06018		96001-06018-08	BOLT FLANGE SH 6*18	BOLT FLANGE SH 6*18	2	
96001-06028		96001-06028-08	BOLT FLANGE SH 6*28	BOLT FLANGE SH 6*28	2	
96220		96220-60100	ROLLER 6*10	ROLLER 6*10	1	
96600		96600-08010-10	SOCKET BOLT 8*10	SOCKET BOLT 8*10	3	

E08

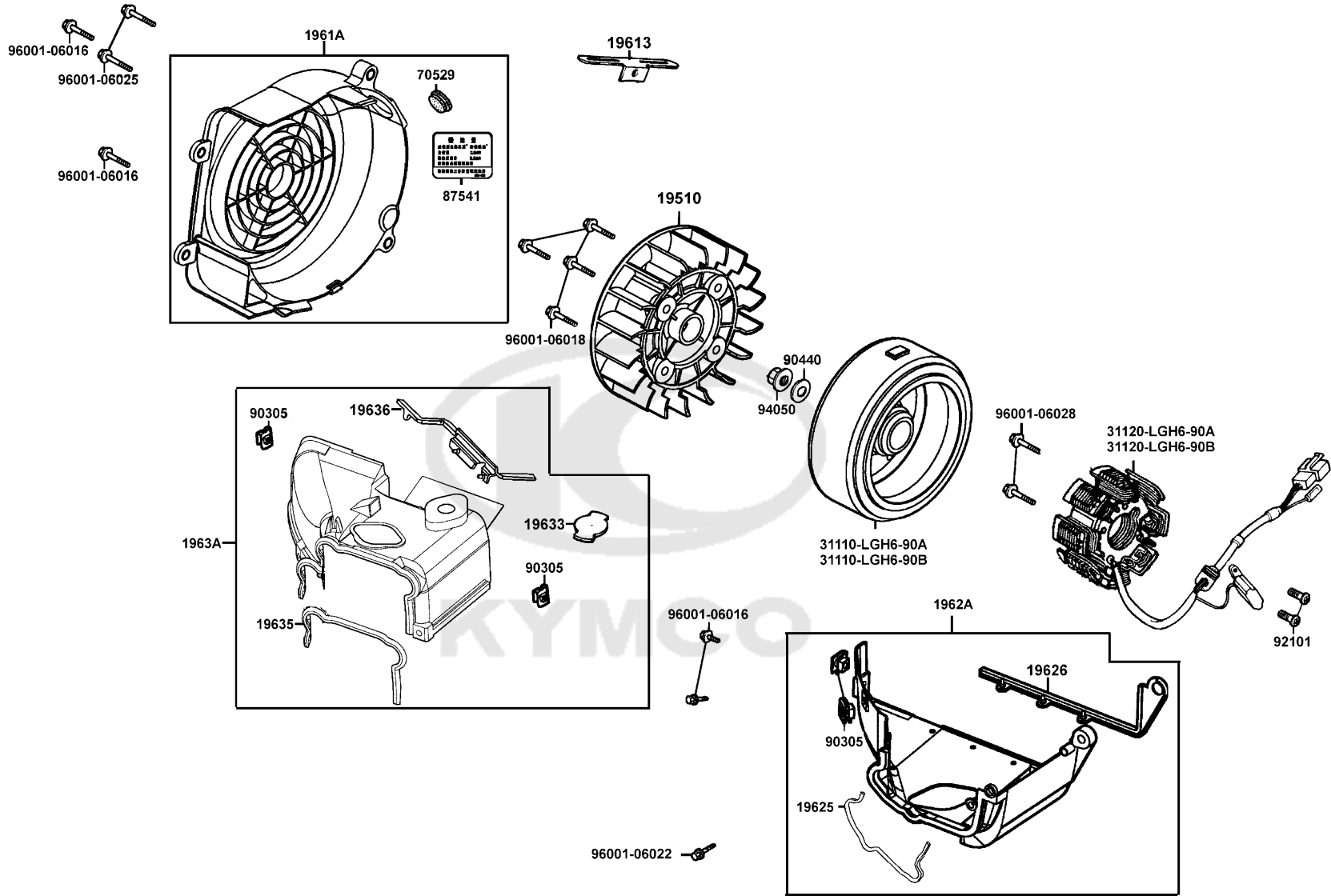
Fan coverGenerator



Sales mark	Ref no	Part no	Description	Reg description	Regd no	E08
**	19510	19510-LEB1-900	FAN COMP.. COOLING	FAN COMP.. COOLING	1	
	19613	19613-GFY6-901	CLAMPER STARTER	CLAMPER STARTER	1	
	1961A	1961A-LGH6-E00	COVER ASSY FAN	COVER ASSY FAN	1	
	19625	19625-LEB1-900	SEAL SHROUD A	SEAL SHROUD A	1	
	19626	19626-LEB1-900	SEAL SHROUD A	SEAL SHROUD A	1	
	1962A	1962A-LEB2-900	SHOULD ASSY..A	SHOULD ASSY..A	1	
	1962A	1962A-LKE6-900	SHROUD ASSY.. A	SHROUD ASSY.. A	1	
	19633	19633-GFY6-901	GROMMET SHROUD B	GROMMET SHROUD B	1	
	19635	19635-LEB1-900	SEAL SHROUD B	SEAL SHROUD B	1	
	19636	19636-LEB1-900	SEAL SHROUD B	SEAL SHROUD B	1	
	1963A	1963A-LGH6-900	SHROUD ASS.Y.B	SHROUD ASS.Y.B	1	
	31110-LGH6-90A	31110-LGH6-90A	FLYWHEEL COMP /D402	FLYWHEEL COMP /D402	1	
	31110-LGH6-90B	31110-LGH6-90B	FLYWHEEL COMP /D406	FLYWHEEL COMP /D406	1	
	31120-LGH6-90A	31120-LGH6-90A	STATOR COMP.	STATOR COMP.	1	
	31120-LGH6-90B	31120-LGH6-90B	STATOR COMP /D406	STATOR COMP /D406	1	
	70529	70529-6G57-671	GROM B SIDE PNL	GROM B SIDE PNL	1	
**	87541	87541-KUDU-900	LABEL OIL CAP	LABEL OIL CAP	1	
	90305	90305-GHK8-001	NUT CLIP 6MM	NUT CLIP 6MM	3	
	90440	90440-1F66-001	WASHER PLAIN 12MM	WASHER PLAIN 12MM	1	
	92101	92101-05012-0H	BOLT HEX 5*12	BOLT HEX 5*12	2	

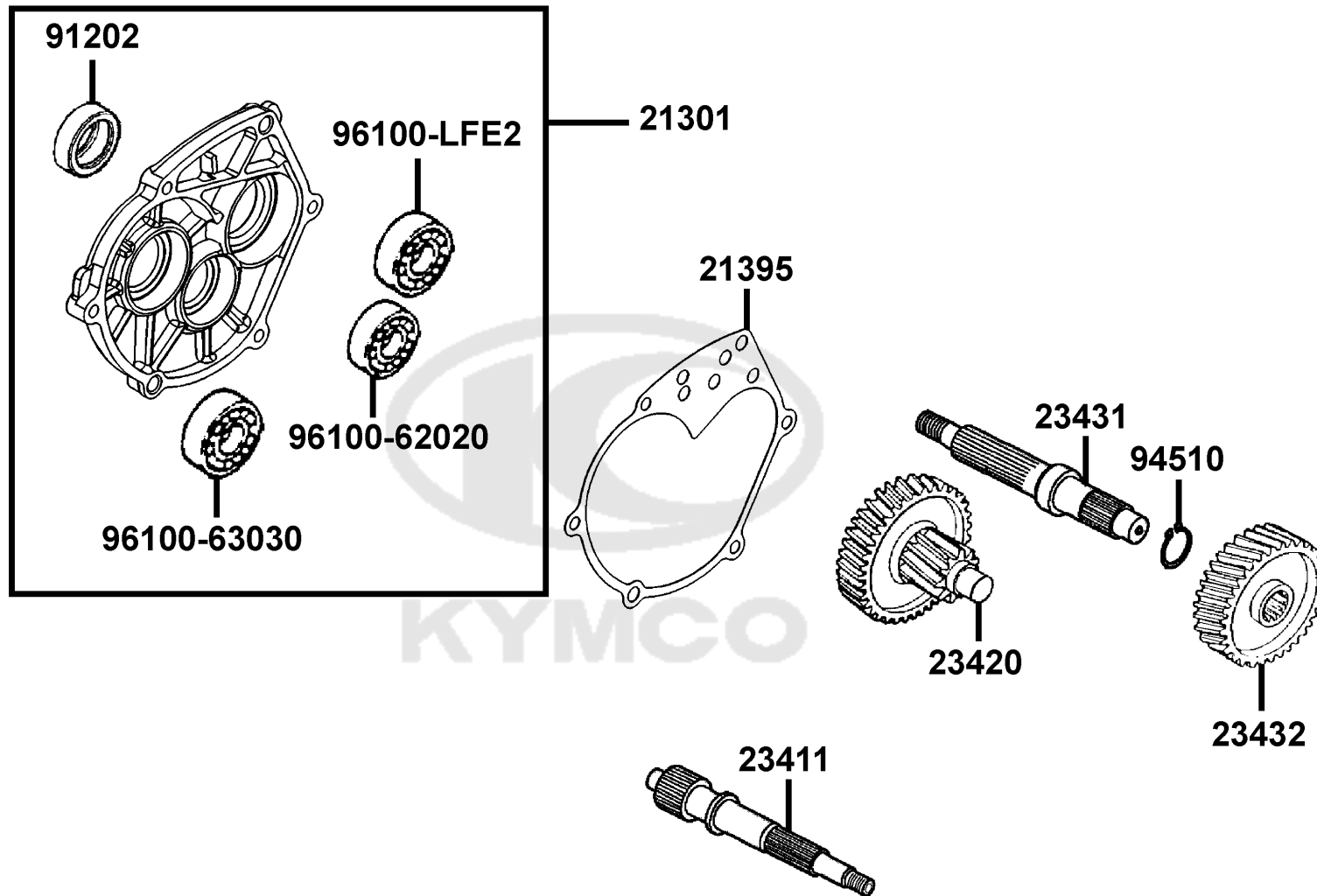
E08

# Fan coverGenerator



Sales mark	Ref no	Part no	Description	Reg description	Regd no	<b>E08</b>
	94050	94050-12080	NUT FLANGE 12MM	NUT FLANGE 12MM	1	
	96001-06016	96001-06016-08	BOLT FLANGE SH 6*16	BOLT FLANGE SH 6*16	4	
	96001-06018	96001-06018-08	BOLT FLANGE SH 6*18	BOLT FLANGE SH 6*18	4	
	96001-06022	96001-06022-08	BOLT FLANGE SH 6*22	BOLT FLANGE SH 6*22	2	
	96001-06025	96001-06025-08	BOLT FLANGE SH 6*25	BOLT FLANGE SH 6*25	2	
	96001-06028	96001-06028-08	BOLT FLANGE SH 6*28	BOLT FLANGE SH 6*28	2	



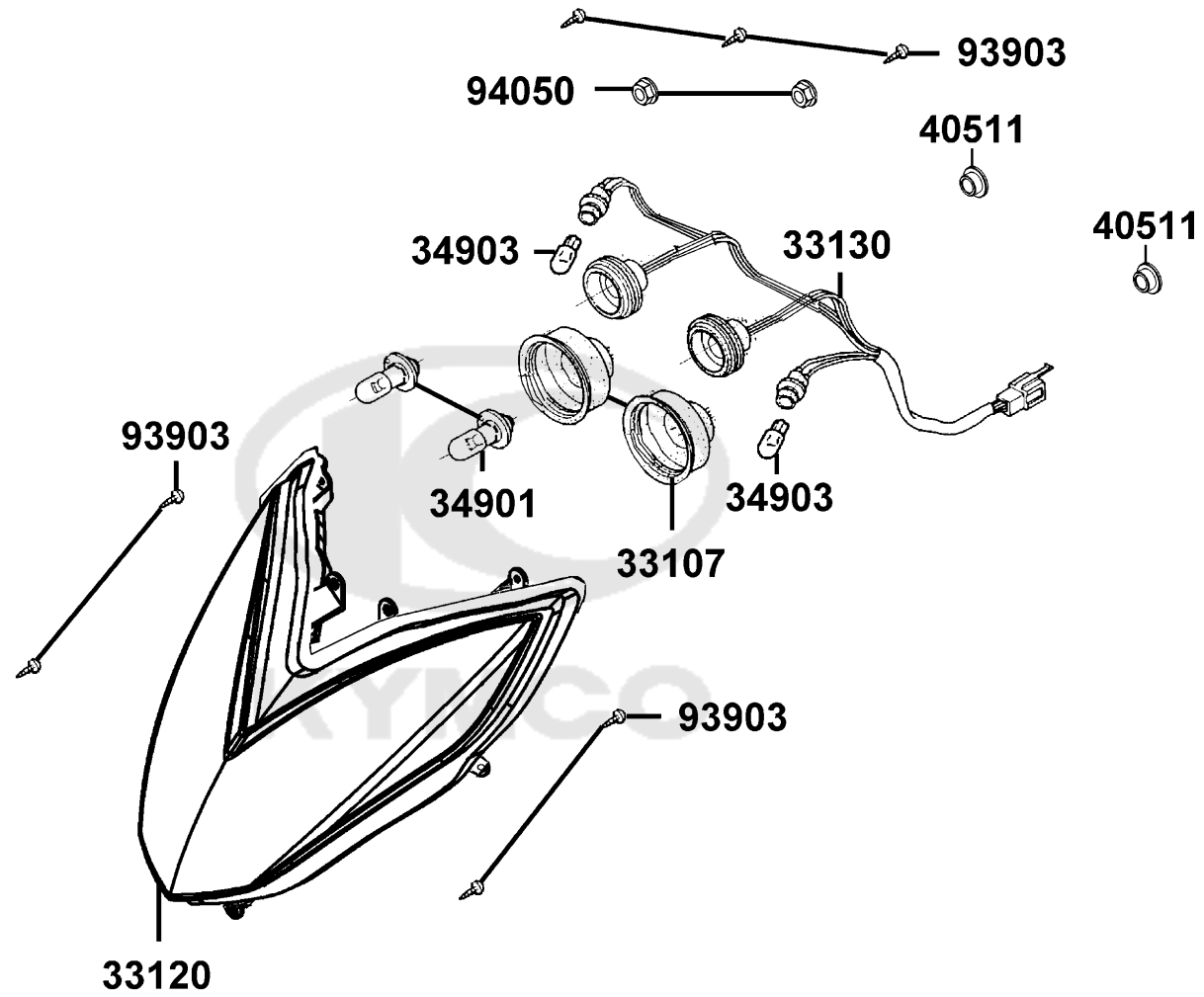




Sales mark	Ref no	Part no	Description	Reg description	Regd no	<b>E09</b>
21301		21301-LFB5-305	COVER MISSION(2007.04.04)	COVER MISSION(2007.04.04)	1	
21395		21395-LFB5-900	GASKET. MISSION COVER	GASKET. MISSION COVER	1	
23411		23411-LFB5-900	SHAFT. DRIVE	SHAFT. DRIVE	1	
23420		23420-LGH5-900	SHAFT COMP..COUNTER	SHAFT COMP..COUNTER	1	
23431		23431-LFB5-900	SHAFT.FINAL	SHAFT.FINAL	1	
23431		23431-LFB5-910	SHAFT FINAL	SHAFT FINAL	1	
23432		23432-LGH5-900	GEAR.FINAL	GEAR.FINAL	1	
23432		23432-LGH5-910	GEAR FINAL	GEAR FINAL	1	
91202		91202-LFE2-90A	OIL SEAL 22x32x6	OIL SEAL 22x32x6	1	
94510		94510-20000	CIR CLIP EXTERNAL 20	CIR CLIP EXTERNAL 20	1	
94510		94510-25000	CIR CLIP EX 25	CIR CLIP EX 25	1	
96100-62020		96100-62020-00	BRG BALL RADIAL 6202	BRG BALL RADIAL 6202	1	
96100-63030		96100-63030-00	BEARING BALL RADIAL 6303	BEARING BALL RADIAL 6303	1	
96100-LFE2		96100-LFE2-900	BRG BALL RADIAL TMB2/22CC4	BRG BALL RADIAL TMB2/22CC4	1	

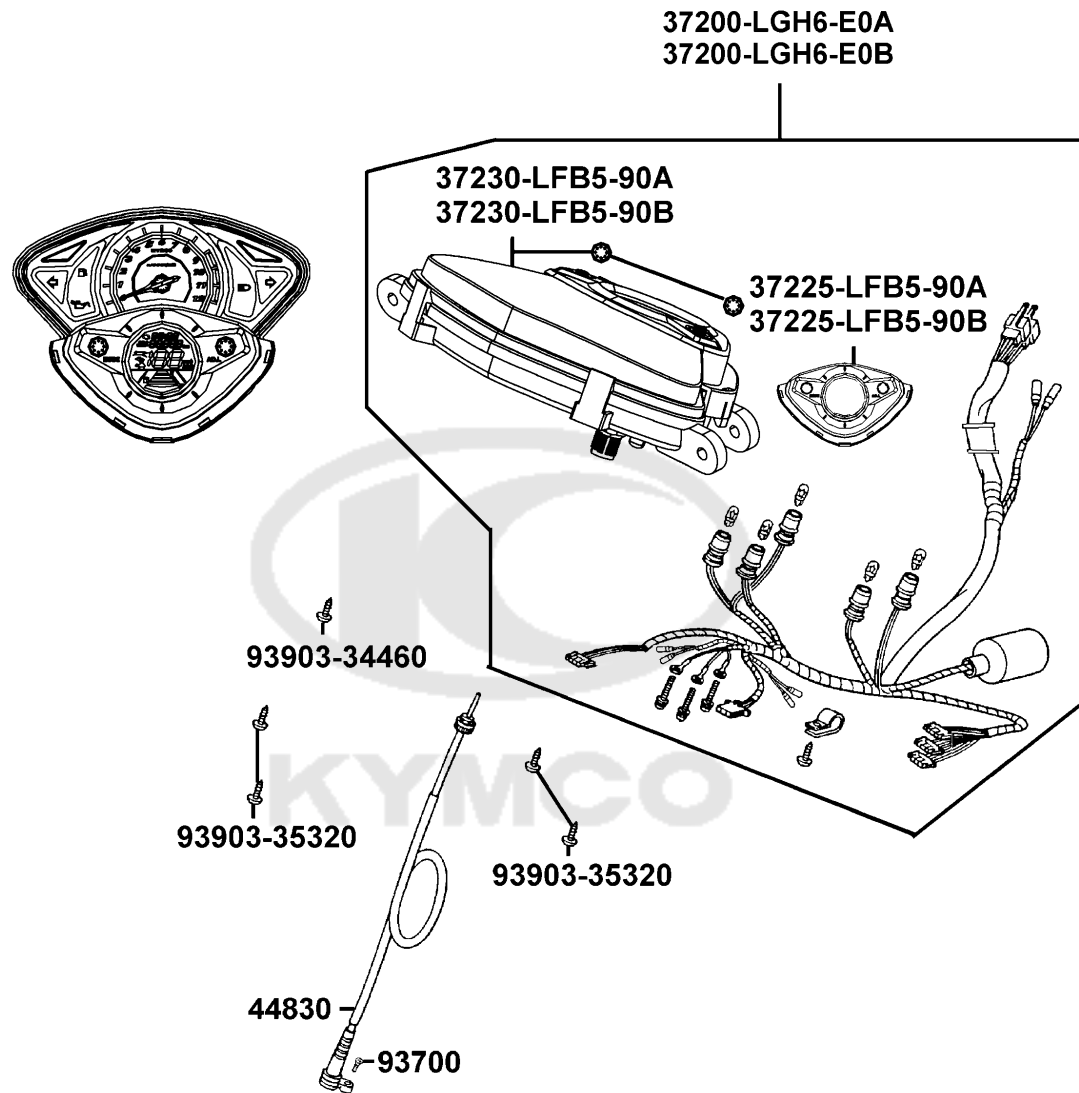
F01

Head Light



Sales mark	Ref no	Part no	Description	Reg description	Regd no	F01
	33107	33107-KKC4-E00	COVER RUBBER	COVER RUBBER	1	
	33120	33120-LFB5-900	COMB HEAD LIGHT	COMB HEAD LIGHT	1	
	33130	33130-LFB5-900	SOCKET COMP	SOCKET COMP	1	
	34901	34901-KFA6-900	BULB HEAD LIGHT	BULB HEAD LIGHT	2	
	34903	34903-KPCP-900	BULB POSITION	BULB POSITION	2	
	40511	40511-LFB5-900	COLLAR	COLLAR	2	
	93903	93903-35360	SCREW TAPPING 5*16	SCREW TAPPING 5*16	7	
	94050	94050-06060	NUT FLANGE 6MM	NUT FLANGE 6MM	2	



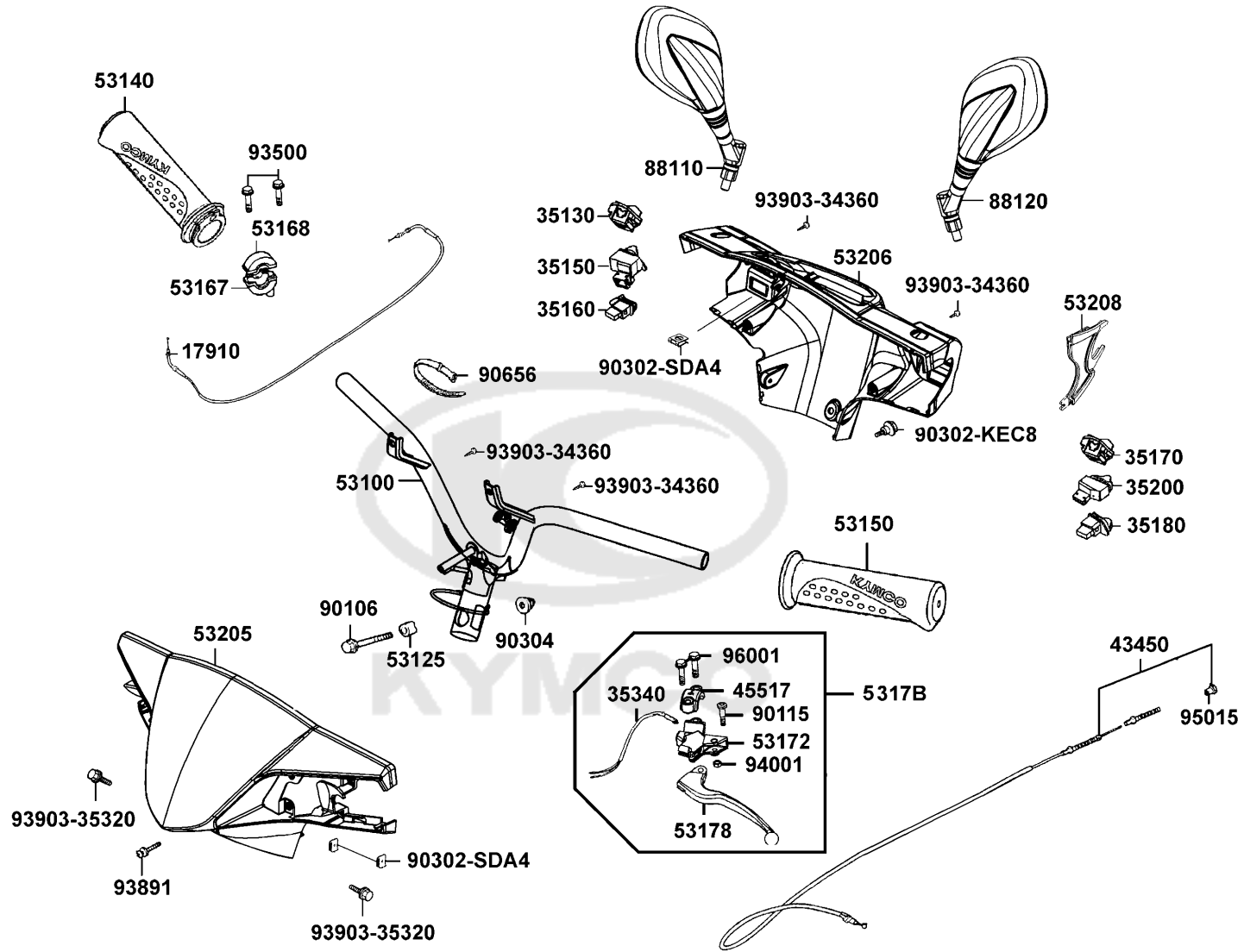


Sales mark	Ref no	Part no	Description	Reg description	Regd no	<b>F02</b>
	37200-LGH6-E0A	37200-LGH6-E0A	METER ASSY SPEED	METER ASSY SPEED	1	
	37200-LGH6-E0B	37200-LGH6-E0B	METER ASSY SPEED	METER ASSY SPEED	1	
	37225-LFB5-90A	37225-LFB5-90A	METER SPEED DECORATION COVER	METER SPEED DECORATION COVER	1	
	37225-LFB5-90B	37225-LFB5-90B	METER SPEED DECORATION COVER	METER SPEED DECORATION COVER	1	
	37230-LFB5-90A	37230-LFB5-90A	LENS ASSY	LENS ASSY	1	
	37230-LFB5-90B	37230-LFB5-90B	LENS ASSY	LENS ASSY	1	
	44830	44830-KXCX-901	CABLE COMP SPDMT	CABLE COMP SPDMT	1	
	93700	93700-05018-0H	SCREW OVAL 5*18	SCREW OVAL 5*18	1	
	93903-34460	93903-34460	SCREW TAPPING 4*16	SCREW TAPPING 4*16	1	
	93903-35320	93903-35320	SCREW TAPPING 5*16	SCREW TAPPING 5*16	4	



F03

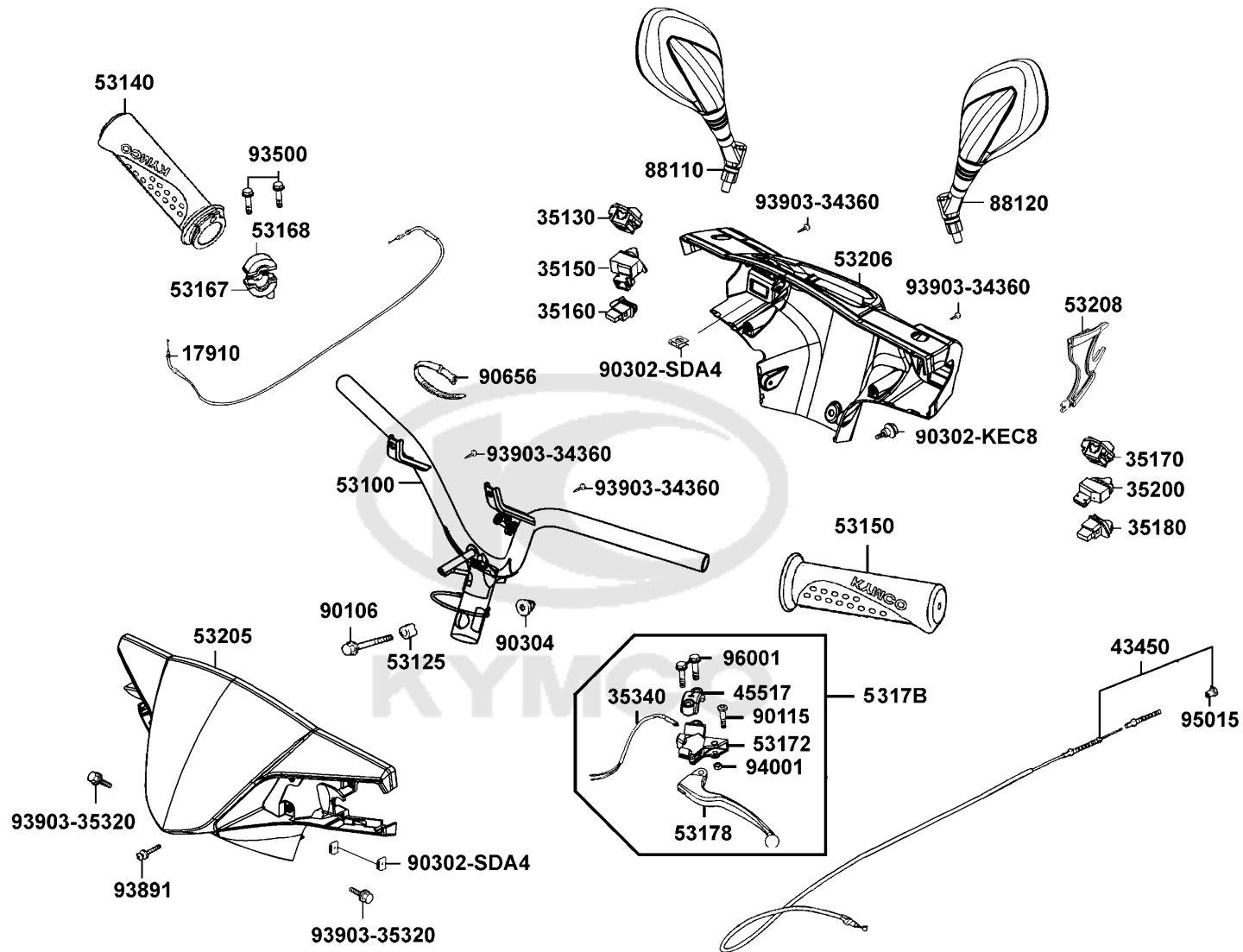
# Handle Steering Handle Cover



Sales mark	Ref no	Part no	Description	Reg description	Regd no	F03
	17910	17910-LGH6-900	CABLE COMP THROT	CABLE COMP THROT	1	
	35130	35130-KXCX-M00	SW UNIT KILL	SW UNIT KILL	1	
	35150	35150-GFY6-900	SW UNIT LIGHTING	SW UNIT LIGHTING	1	
	35160	35160-GFY6-900	SW UNIT START	SW UNIT START	1	
	35170	35170-KNBN-910	SW UNIT DIMMER	SW UNIT DIMMER	1	
	35180	35180-GFY6-900	SW UNIT HORN	SW UNIT HORN	1	
	35200	35200-GFY6-910	SW UNIT WINKER	SW UNIT WINKER	1	
	35340	35340-KFLF-900	SW ASSY FR STOP	SW ASSY FR STOP	1	
	43450	43450-LFB5-800	"CABLE COMP ,RR BRAKE"	"CABLE COMP ,RR BRAKE"	1	
	45517	45517-LFB5-800	HOLDER HNDL BRKT	HOLDER HNDL BRKT	1	
	53100	53100-LFB5-900	HANDLE COMP STRG	HANDLE COMP STRG	1	
	53125	53125-GEN5-901	COLLAR HANDLE SET	COLLAR HANDLE SET	1	
**	53140	53140-LEA1-900	GRIP COMP..THROT.	GRIP COMP..THROT.	1	
**	53150	53150-LEA1-900	GRIP COMP..L HANDLE	GRIP COMP..L HANDLE	1	
	53167	53167-KFA1-900	HOUSING UND THROT	HOUSING UND THROT	1	
	53168	53168-KFA1-900	HOUSING UP THROT	HOUSING UP THROT	1	
	53172	53172-KTCT-900	BRKT HNDL L	BRKT HNDL L	1	
	53172	53172-LGH6-900	BRKT, HANDLE L	BRKT, HANDLE L	1	
**	53178	53178-LCD1-E00	LEVER L STRG HANDLE	LEVER L STRG HANDLE	1	
**	53178	53178-LGH6-900	LEVER L STRG HANDLE	LEVER L STRG HANDLE	1	

F03

# Handle Steering Handle Cover

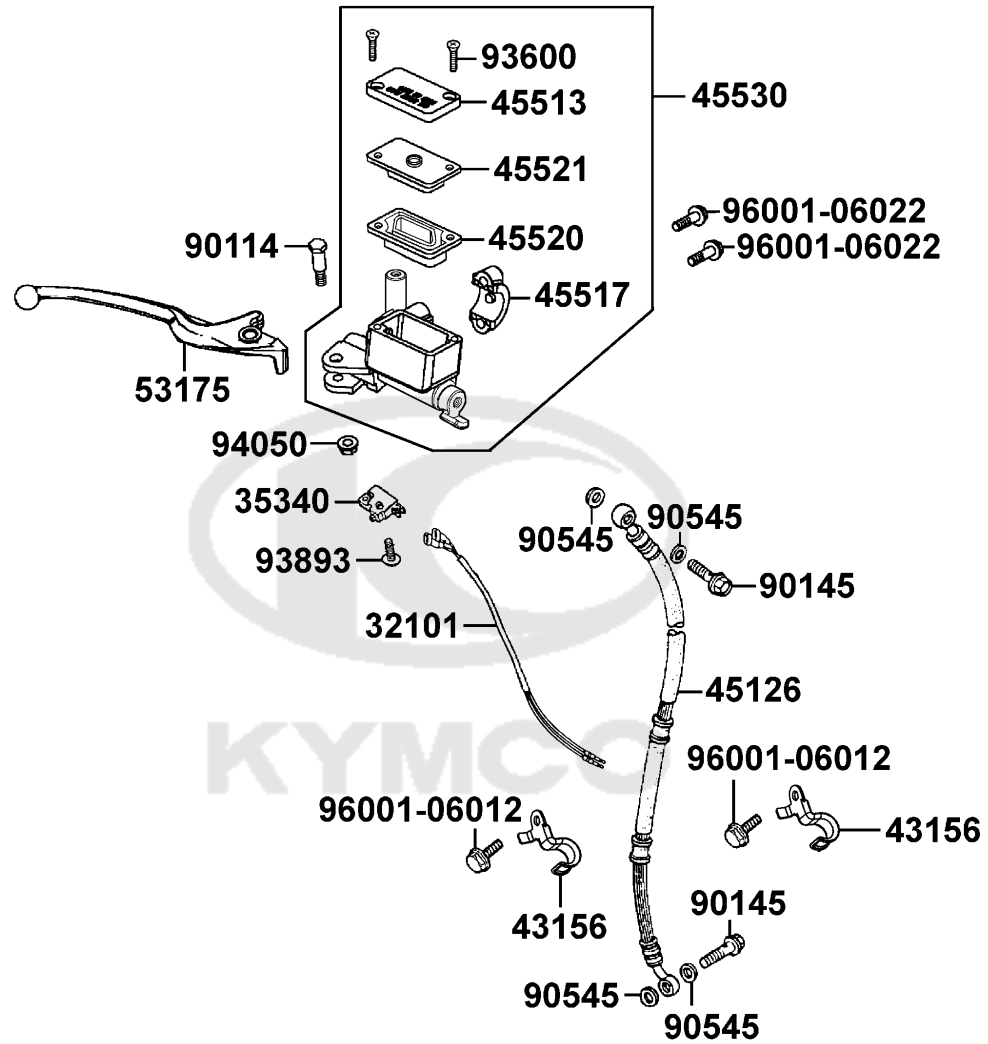




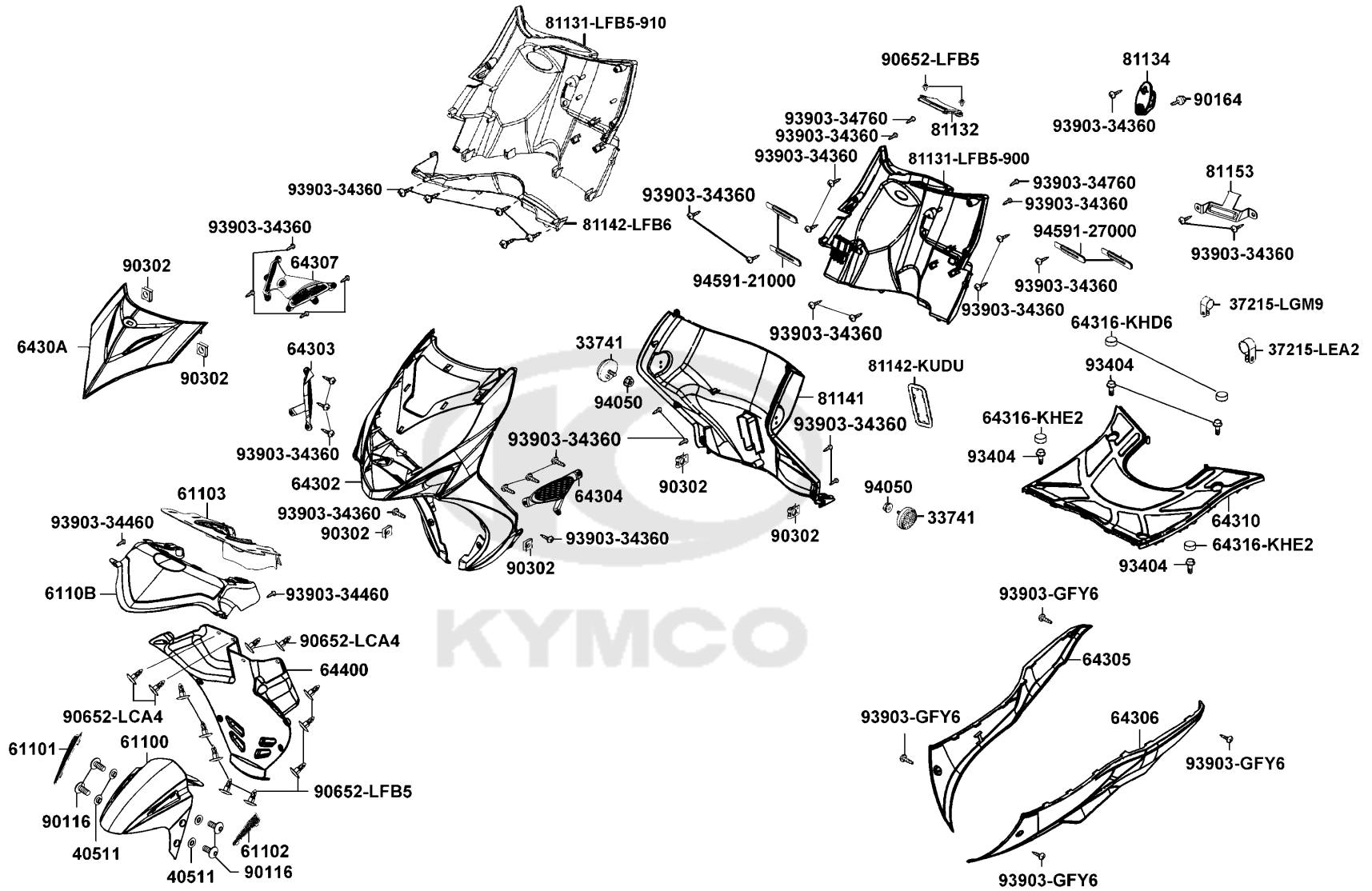
Sales mark	Ref no	Part no	Description	Reg description	Regd no	F03
	5317B	5317B-LFB5-900	"BRKT. ASSY , HNDL LH"	"BRKT. ASSY , HNDL LH"	1	
	5317B	5317B-LGH6-900	BRKT ASSY HNDL LH	BRKT ASSY HNDL LH	1	
**	53205	53205-LFB5-900	COVER HANDLE FR	COVER HANDLE FR	1	
**	53206	53206-LFB5-900	COVER. HANDLE RR.	COVER. HANDLE RR.	1	
**	53208	53208-LFB5-900	COVER. L WINKER	COVER. L WINKER	1	
**	88110	88110-LFB5-900	MIRROR ASSY.R BACK	MIRROR ASSY.R BACK	1	
**	88120	88120-LFB5-900	MIRROR ASSY.L BACK	MIRROR ASSY.L BACK	1	
	90106	90106-GEN5-901	BOLT FLANGE 10*50	BOLT FLANGE 10*50	1	
	90115	90115-GLE0-001	BOLT HNDL LEVER PIVOT	BOLT HNDL LEVER PIVOT	1	
	90302-KEC8	90302-KEC8-900	BOLT PAN 5*9	BOLT PAN 5*9	1	
	90302-SDA4	90302-SDA4-004	NUT SPRING 4MM	NUT SPRING 4MM	3	
	90304	90304-GHE8-004	NUT U 10MM	NUT U 10MM	1	
	90656	90656-KCBC-900	BAND OIL HANDLE	BAND OIL HANDLE	1	
	93500	93500-05022-06	SCREW PAN 5*22	SCREW PAN 5*22	2	
	93891	93891-05025-06	SCREW WASH 5*25	SCREW WASH 5*25	1	
	93903-34360	93903-34360	SCREW TAPPING 4*12	SCREW TAPPING 4*12	4	
	93903-35320	93903-35320	SCREW TAPPING 5*16	SCREW TAPPING 5*16	2	
	94001	94001-05080-0S	NUT HEX 5MM	NUT HEX 5MM	1	
	95015	95015-LEB1-900	NUT B ADJUST	NUT B ADJUST	1	
	96001	96001-06025-06	BOLT FLANGE SH 6*25	BOLT FLANGE SH 6*25	2	

F04

# Brake Master Cylinder



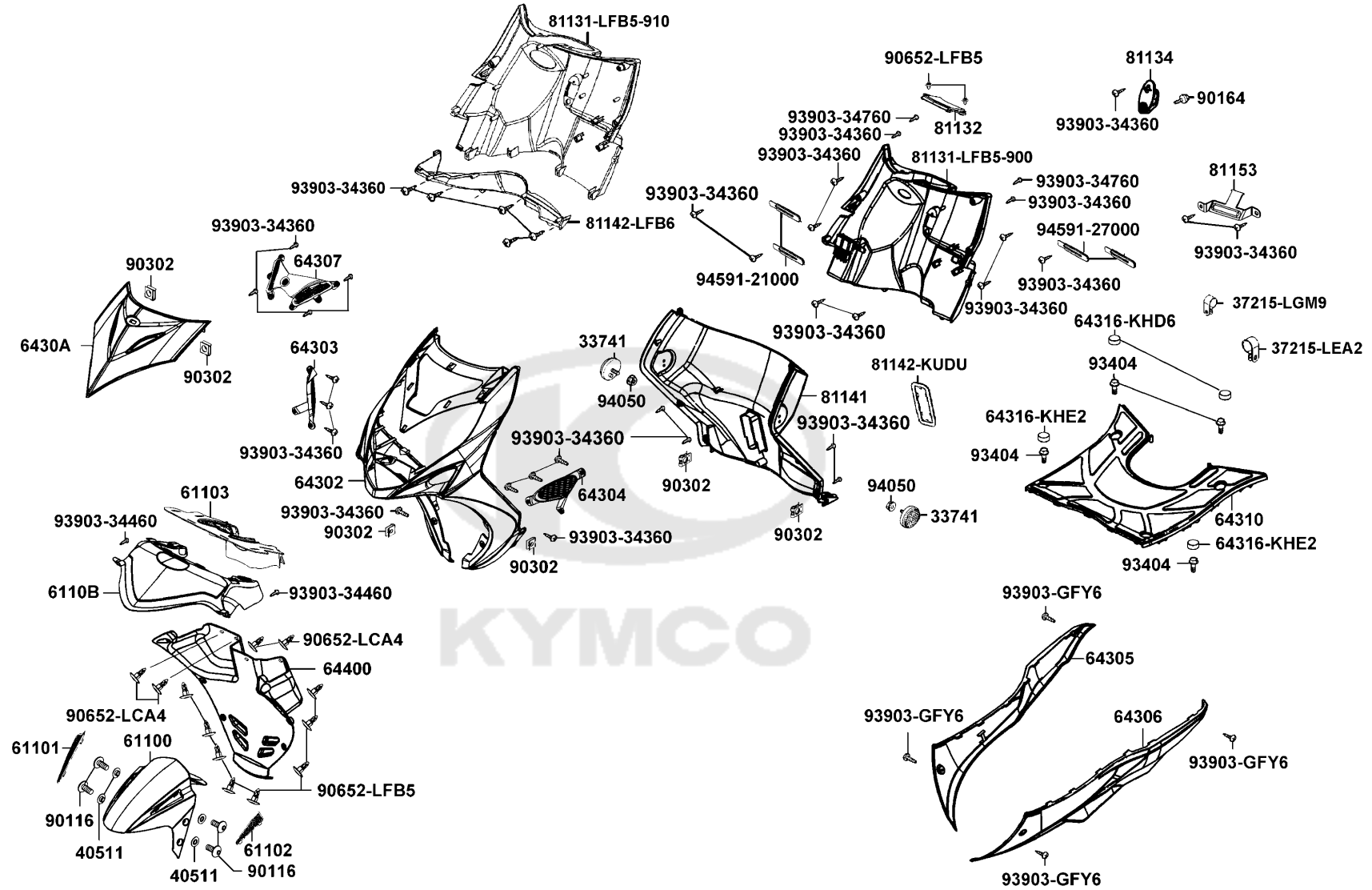
Sales mark	Ref no	Part no	Description	Reg description	Regd no	<b>F04</b>
	32101	32101-GFY6-901	SUB CORD R/H	SUB CORD R/H	1	
	35340	35340-KNBN-901	SW ASSY FR STOP	SW ASSY FR STOP	1	
	43156	43156-LFB5-900	CLAMPER METER CABLE	CLAMPER METER CABLE	2	
	45126	45126-LFB5-900	HOSE ASSY .FR BRAKE	HOSE ASSY .FR BRAKE	1	
	45513	45513-GLW0-91A	CAP MASTER CYLINDER	CAP MASTER CYLINDER	1	
	45517	45517-KFAF-900	HOLDER M/C	HOLDER M/C	1	
	45520	45520-GLW0-91A	DIAPHRAGM	DIAPHRAGM	1	
	45521	45521-GLW0-91A	PLATE DIAPHRAGM	PLATE DIAPHRAGM	1	
	45530	45530-LFB5-305	CYLINDER SET MASTER	CYLINDER SET MASTER	1	
**	53175	53175-KFA5-E10	LEVER R STRG HNDL	LEVER R STRG HNDL	1	
	90114	90114-1F66-007	BOLT HANDLE LEVER	BOLT HANDLE LEVER	1	
	90145	90145-MKS9-61A	OIL BOLT 10*22	OIL BOLT 10*22	2	
	90545	90545-3L00-001	WASHER OIL BOLT	WASHER OIL BOLT	4	
	93600	93600-04012-1G	SCREW FLAT 4*12	SCREW FLAT 4*12	2	
	93893	93893-04012-18	SCREW WASHER 4*12	SCREW WASHER 4*12	1	
	94050	94050-06060	NUT FLANGE 6MM	NUT FLANGE 6MM	1	
	96001-06012	96001-06012-06	BOLT FLANGE SH6*12	BOLT FLANGE SH6*12	2	
	96001-06022	96001-06022-06	BOLT FLANGE SH 6*25	BOLT FLANGE SH 6*25	2	



Sales mark	Ref no	Part no	Description	Reg description	Regd no	F05
	33741	33741-GFY6-C30	REFLEX REFLECTOR	REFLEX REFLECTOR	2	
	37215-LEA2	37215-LEA2-900	CLAMP	CLAMP	1	
	37215-LGM9	37215-LGM9-900	CLAMP	CLAMP		
	40511	40511-LEC8-E00	COLLAR	COLLAR	4	
**	61100	61100-LFB5-900	FENDER FR	FENDER FR	1	
**	61101	61101-LFB5-900	GRILLE R FENDER TIRE FR	GRILLE R FENDER TIRE FR	1	
**	61102	61102-LFB5-900	GRILLE L FENDER TIRE FR	GRILLE L FENDER TIRE FR	1	
	61103	61103-LFB5-900	RUBBER.FENDER FR.	RUBBER.FENDER FR.	1	
**	6110B	6110B-LFB5-900	FENDER B. FR.	FENDER B. FR.	1	
**	64302	64302-LFB5-900	MOLDING. FR.	MOLDING. FR.	1	
**	64303	64303-LFB5-900	GRILLE R FR MOLDING	GRILLE R FR MOLDING	1	
**	64304	64304-LFB5-900	GRILLE L FR MOLDING	GRILLE L FR MOLDING	1	
**	64305	64305-LFB5-900	SKIRT . R SIDE	SKIRT . R SIDE	1	
**	64306	64306-LFB5-900	SKIRT . L SIDE	SKIRT . L SIDE	1	
**	64307	64307-LFB5-900	GRILLER COVER FR	GRILLER COVER FR	1	
**	6430A	6430A-LGH6-E00	COVER ASSY FR	COVER ASSY FR	1	
**	64310	64310-LFB5-900	FLOOR. PANEL	FLOOR. PANEL	1	
**	64316-KHD6	64316-KHD6-900	PLUG FLOOR	PLUG FLOOR	2	
**	64316-KHE2	64316-KHE2-900	PLUG FLOOR	PLUG FLOOR	2	
**	64400	64400-LFB5-900	COWL. UNDER	COWL. UNDER	1	



Sales mark	Ref no	Part no	Description	Reg description	Regd no	F05
**	81131-LFB5-900	81131-LFB5-900	LEG SHIELD UP	LEG SHIELD UP	1	
**	81131-LFB5-910	81131-LFB5-910	LEG SHIELD UP	LEG SHIELD UP	1	
**	81132	81132-LFB5-900	CAP LEG SHIELD UP	CAP LEG SHIELD UP	1	
**	81134	81134-LGH6-B20	HOOK,LEG SHIELD	HOOK,LEG SHIELD	1	
**	81141	81141-LFB5-900	LEG SHIELD LOW	LEG SHIELD LOW	1	
**	81142-KUDU	81142-KUDU-900	LID LEG SHIELD(VIN)	LID LEG SHIELD(VIN)	1	
**	81142-LFB6	81142-LFB6-800	LEG SHIELD UP. B	LEG SHIELD UP. B	1	
	81153	81153-LFB6-900	STAY RELAY	STAY RELAY	1	
	90116	90116-KED9-900	SCREW PAN 6*24	SCREW PAN 6*24	4	
	90164	90164-MDR4-901	SCREW SPECIAL 6MM	SCREW SPECIAL 6MM	1	
	90302	90302-SDA4-004	NUT SPRING 4MM	NUT SPRING 4MM	6	
	90652-LCA4	90652-LCA4-E00	CLIP MUDGUARD	CLIP MUDGUARD	4	
	90652-LFB5	90652-LFB5-900	CLIP MUDGUARD	CLIP MUDGUARD	10	
	93404	93404-06030-06	BOLT WASHER 6*30	BOLT WASHER 6*30	4	
	93903-34360	93903-34360	SCREW TAPPING 4*12	SCREW TAPPING 4*12	31	
	93903-34460	93903-34460	SCREW TAPPING 4*16	SCREW TAPPING 4*16	2	
	93903-34760	93903-34760	SCREW TAPPING 4*30	SCREW TAPPING 4*30	2	
	93903-GFY6	93903-GFY6-900	SCREW TAPP 4*14	SCREW TAPP 4*14	4	
	94050	94050-06080	NUT FLANGE 6MM	NUT FLANGE 6MM	2	
	94591-21000	94591-21000	CLIP 2*100	CLIP 2*100	2	





Sales mark	Ref no	Part no	Description	Reg description	Regd no	<b>F05</b>
------------	--------	---------	-------------	-----------------	---------	------------

94591-27000

94591-27000

CLIP 2\*100

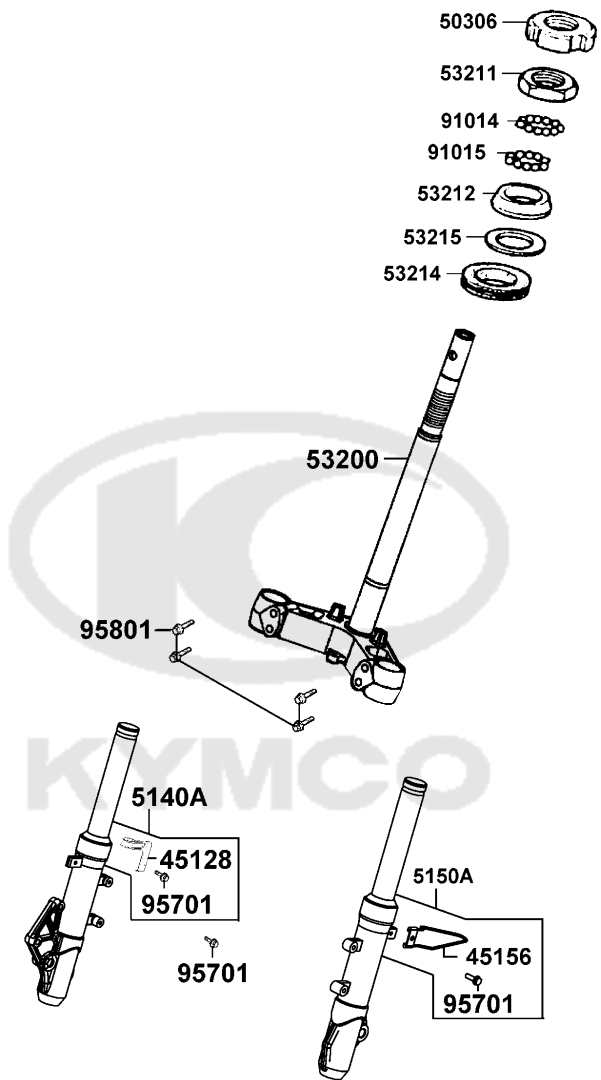
CLIP 2\*100

2



F06

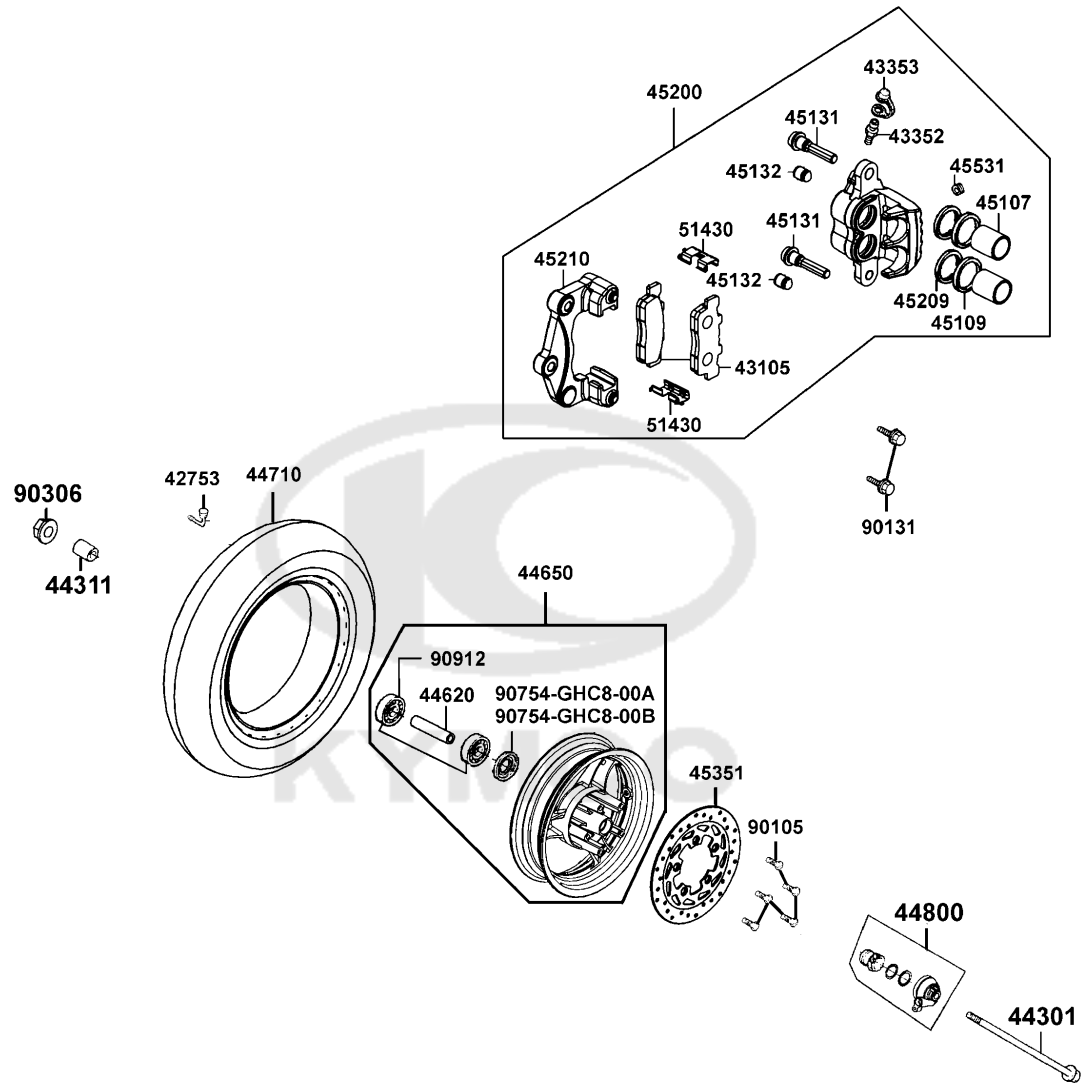
Front Cushion



Sales mark	Ref no	Part no	Description	Reg description	Regd no	<b>F06</b>
	45128	45128-LFB5-900	CLAMPER ,FR BRAKE HOSE	CLAMPER ,FR BRAKE HOSE	1	
	45156	45156-KEC6-900	CLAMPER FR BRAKE CABLE	CLAMPER FR BRAKE CABLE	1	
	50306	50306-1F96-001	NUT STRG STEM LOCK	NUT STRG STEM LOCK	1	
**	5140A	5140A-LFB5-900	FORK SET .FR R	FORK SET .FR R	1	
**	5150A	5150A-LFB5-900	FORK SET .FR L	FORK SET .FR L	1	
	53200	53200-LFB5-900	STEM COMP STRG	STEM COMP STRG	1	
	53211	53211-GFY6-940	RACE STRG TOP CONE	RACE STRG TOP CONE	1	
	53212	53212-2L50-011	RACE (STRG BOTTOM) CONE	RACE (STRG BOTTOM) CONE	1	
	53214	53214-2L50-001	DUST SEAL STRG	DUST SEAL STRG	1	
	53215	53215-2L50-001	WASHER STRG HEAD DUST	WASHER STRG HEAD DUST	1	
	91014	91014-LLJ3-E00	CAGE STEERING TOP #5	CAGE STEERING TOP #5	1	
	91015	91015-LLJ3-E00	CAGE STEERING BOT #8	CAGE STEERING BOT #8	1	
	95701	95701-06012-06	BOLT FLANGE 6*12	BOLT FLANGE 6*12	3	
	95801	95801-08040-08	BOLT FLANGE 8*40	BOLT FLANGE 8*40	4	

F07

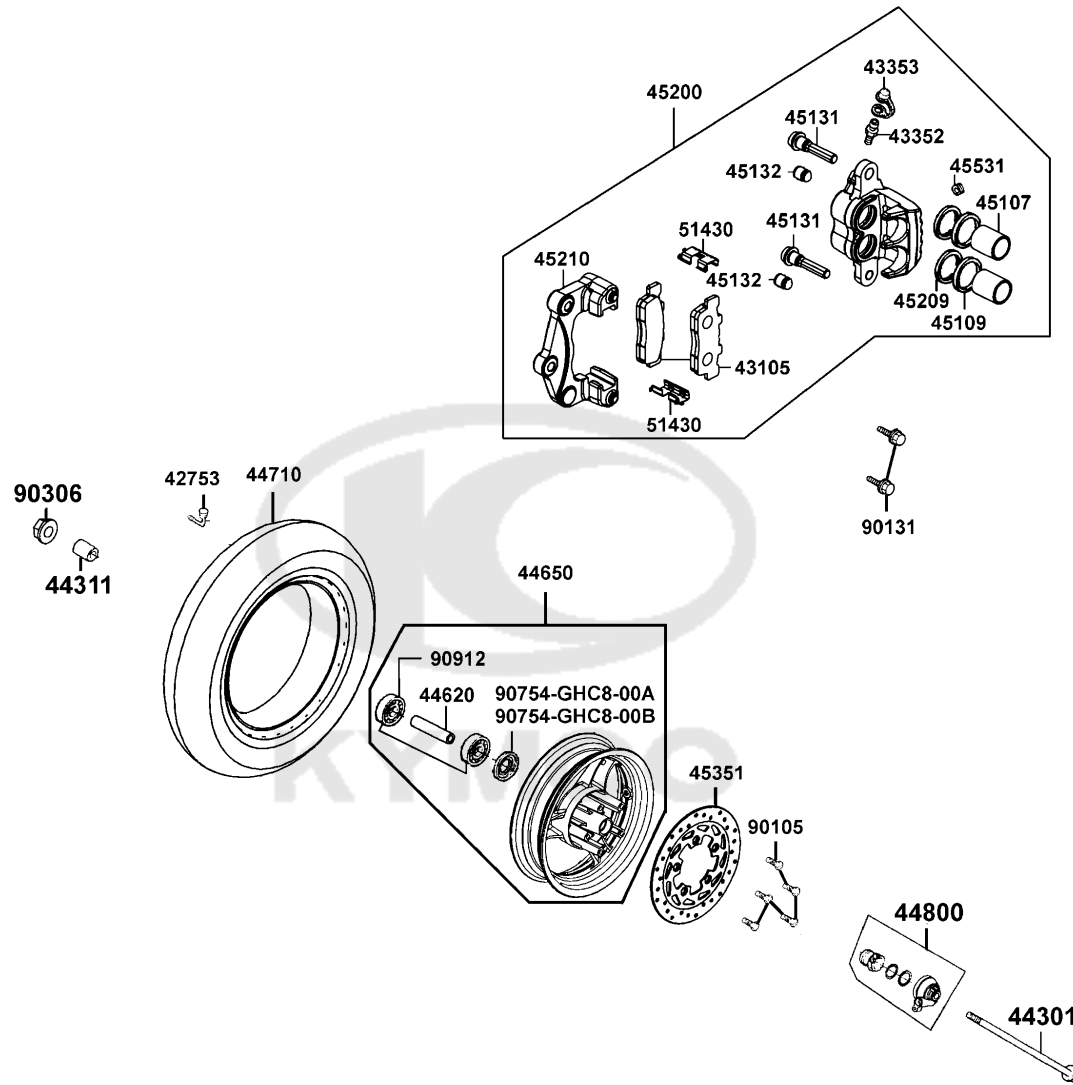
Front Wheel



Sales mark	Ref no	Part no	Description	Reg description	Regd no	F07
	42753	42753-0D04-900	RIM VALVE/PVR 70	RIM VALVE/PVR 70	1	
	43105	43105-LFB5-305	PAD COMP A	PAD COMP A	1	
	43352	43352-KKD6-E90	SCREW BLEEDER	SCREW BLEEDER	1	
	43353	43353-4A61-77A	CAP BLEEDER	CAP BLEEDER	1	
	44301	44301-LFE2-900	AXLE FR WHEEL	AXLE FR WHEEL	1	
	44311	44311-KEBE-900	COLLAR FR WHEEL SIDE	COLLAR FR WHEEL SIDE	1	
	44620	44620-KHD8-900	COLLAR FR AXLE DISTANCE	COLLAR FR AXLE DISTANCE	1	
**	44650	44650-LFE2-305	WHEEL SET FR	WHEEL SET FR	1	
	44710	44710-LFB6-E0A	TIRE ASSY, FR /KENDA	TIRE ASSY, FR /KENDA	1	
	44800	44800-KFA5-900	GEAR BOX ASSY	GEAR BOX ASSY	1	
	45107	45107-LFB5-900	PISTON	PISTON	1	
	45109	45109-GBE2-007	DUST SEAL	DUST SEAL	1	
	45131	45131-LDH1-E00	PIN BOLT	PIN BOLT	1	
	45132	45132-LDH1-E00	BUSH BOOT PIN	BUSH BOOT PIN	2	
**	45200	45200-LFB5-900	CALIPER ASSY .FR (RH)	CALIPER ASSY .FR (RH)	1	
	45209	45209-GBE2-007	SEAL PISTON	SEAL PISTON	1	
	45210	45210-LFB5-305	BRACKET FR CALIPER	BRACKET FR CALIPER	1	
	45351	45351-LEA5-E00	DISK FR BRAKE	DISK FR BRAKE	1	
	45531	45531-GAR1-951	PLUG	PLUG	1	
	51430	51430-LDH1-E00	SLIDE PAD	SLIDE PAD	2	

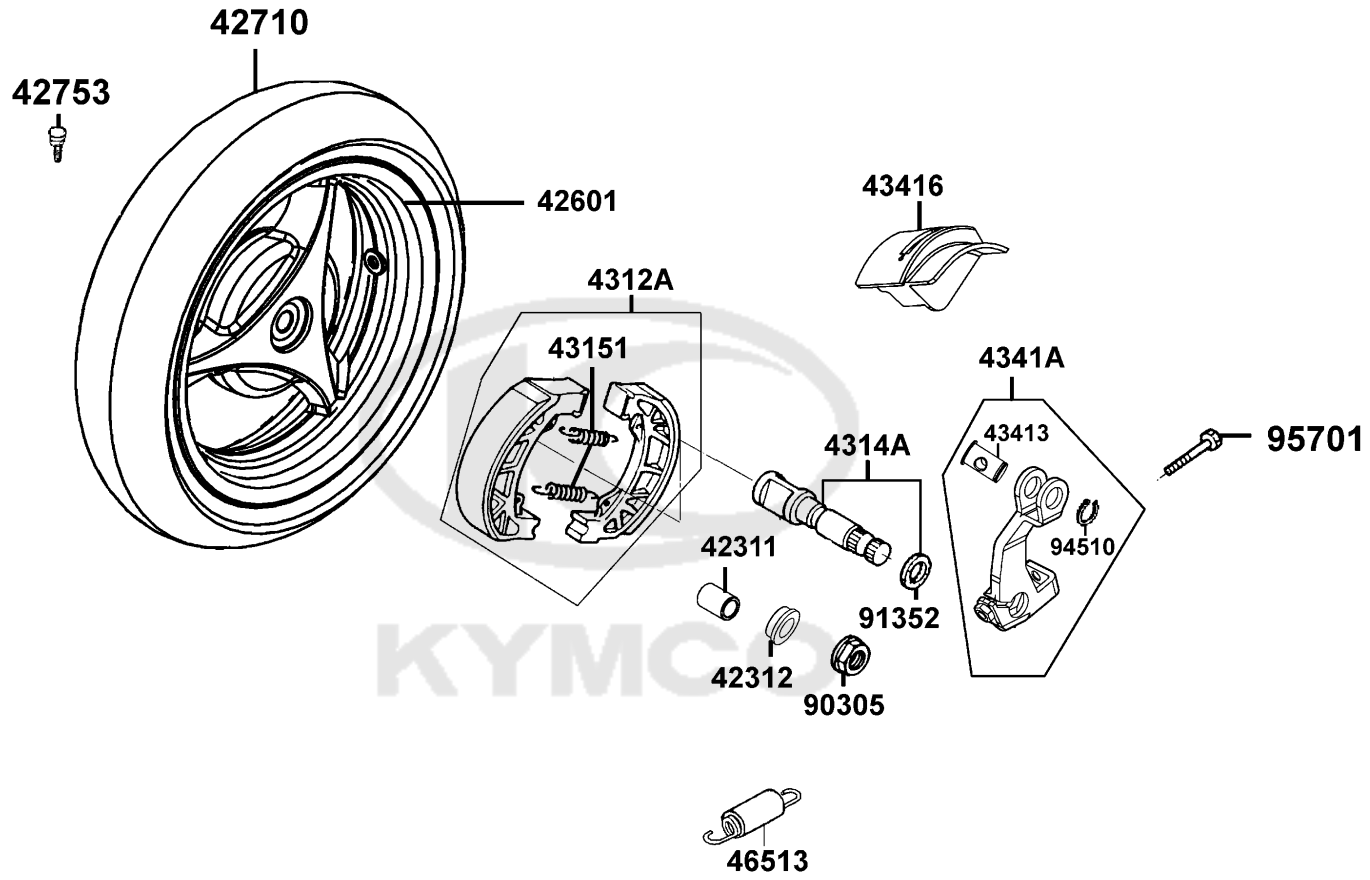
F07

Front Wheel



Sales mark	Ref no	Part no	Description	Reg description	Regd no	<b>F07</b>
	90105	90105-KCR3-001	BOLT FR DISK 8*24	BOLT FR DISK 8*24	5	
	90131	90131-LEB1-900	BOLT FLANGE 8*35	BOLT FLANGE 8*35	2	
	90306	90306-LFE2-900	NUT FLANGE 12MM	NUT FLANGE 12MM	1	
	90754-GHC8-00A	90754-GHC8-00A	SEAL DUST 20*32*5	SEAL DUST 20*32*5	1	
	90754-GHC8-00B	90754-GHC8-00B	SEAL DUST 20*32*5	SEAL DUST 20*32*5	1	
	90912	90912-KFLF-00A	BEARING 6201 LLU	BEARING 6201 LLU	2	



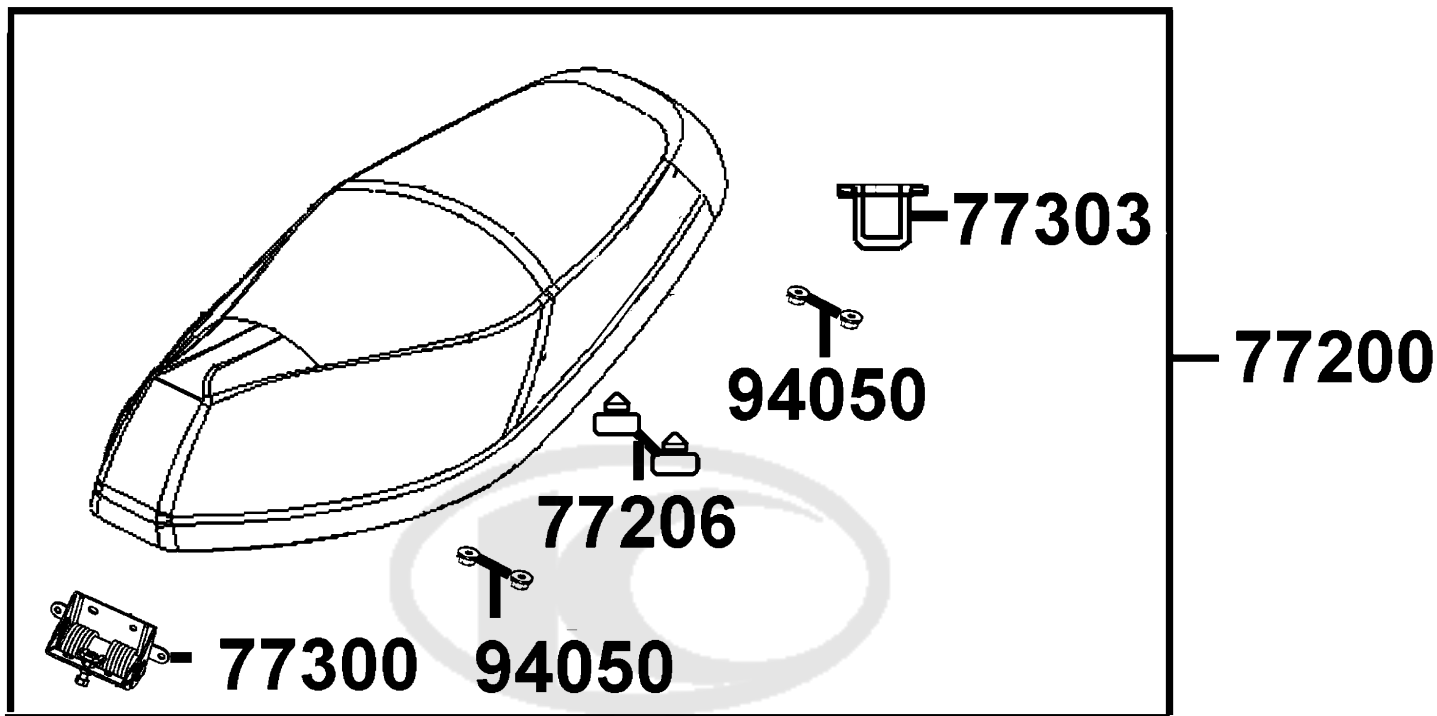




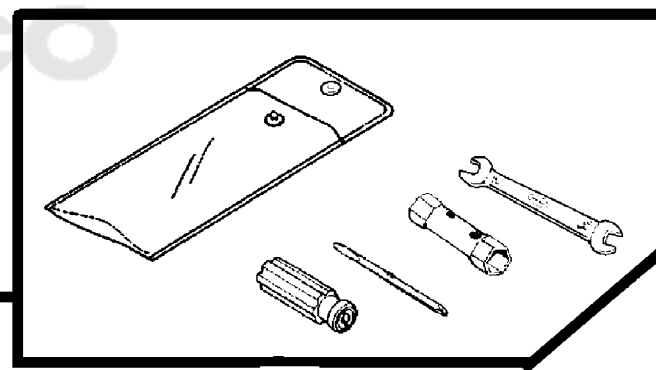
Sales mark	Ref no	Part no	Description	Reg description	Regd no	F08
	42311	42311-LFB5-900	COLLAR RR AXLE SIDE A	COLLAR RR AXLE SIDE A	1	
	42312	42312-KHB4-900	COLLAR RR AXLE SIDE	COLLAR RR AXLE SIDE	1	
**	42601	42601-LFE2-900	WHEEL CAST .RR CAST	WHEEL CAST .RR CAST	1	
	42710	42710-LFB6-E0A	TIRE ASSY, RR /KENDA	TIRE ASSY, RR /KENDA	1	
	42753	42753-0D04-900	RIM VALVE/PVR 70	RIM VALVE/PVR 70	1	
	4312A	4312A-LFB5-800	SHOE ASSY .RR BRAKE	SHOE ASSY .RR BRAKE	1	
	4314A	4314A-LFB5-800	"CAM ASSY ,RR BRAKE"	"CAM ASSY ,RR BRAKE"	1	
	4314A	4314A-LFB6-900	CAM ASSY, RR BRAKE	CAM ASSY, RR BRAKE	1	
	43151	43151-LEB1-900	SPRING BRAKE SHOE	SPRING BRAKE SHOE	1	
	43413	43413-LBE1-900	BREAK ARM JOINT	BREAK ARM JOINT	1	
	43416	43416-LEB1-900	GUARD RR BRK ARM	GUARD RR BRK ARM	1	
	4341A	4341A-LFB5-800	ARM ASSY .RR BRAKE	ARM ASSY .RR BRAKE	1	
	4341A	4341A-LFB6-900	ARM ASSY, RR BRAKE	ARM ASSY, RR BRAKE	1	
	46513	46513-LEB1-900	SPG ASSY BRK ARM	SPG ASSY BRK ARM	1	
	90305	90305-KFW6-900	NUT U FLANGE 16MM (B)	NUT U FLANGE 16MM (B)	1	
	91352	91352-KHG8-83B	O-RING 11.3*1.3	O-RING 11.3*1.3	1	
	94510	94510-12000	CIR CLIP EXTERNAL 12	CIR CLIP EXTERNAL 12	1	
	95701	95701-06035-08	BOLT FLANGE 6*35	BOLT FLANGE 6*35	1	

F09

Seat

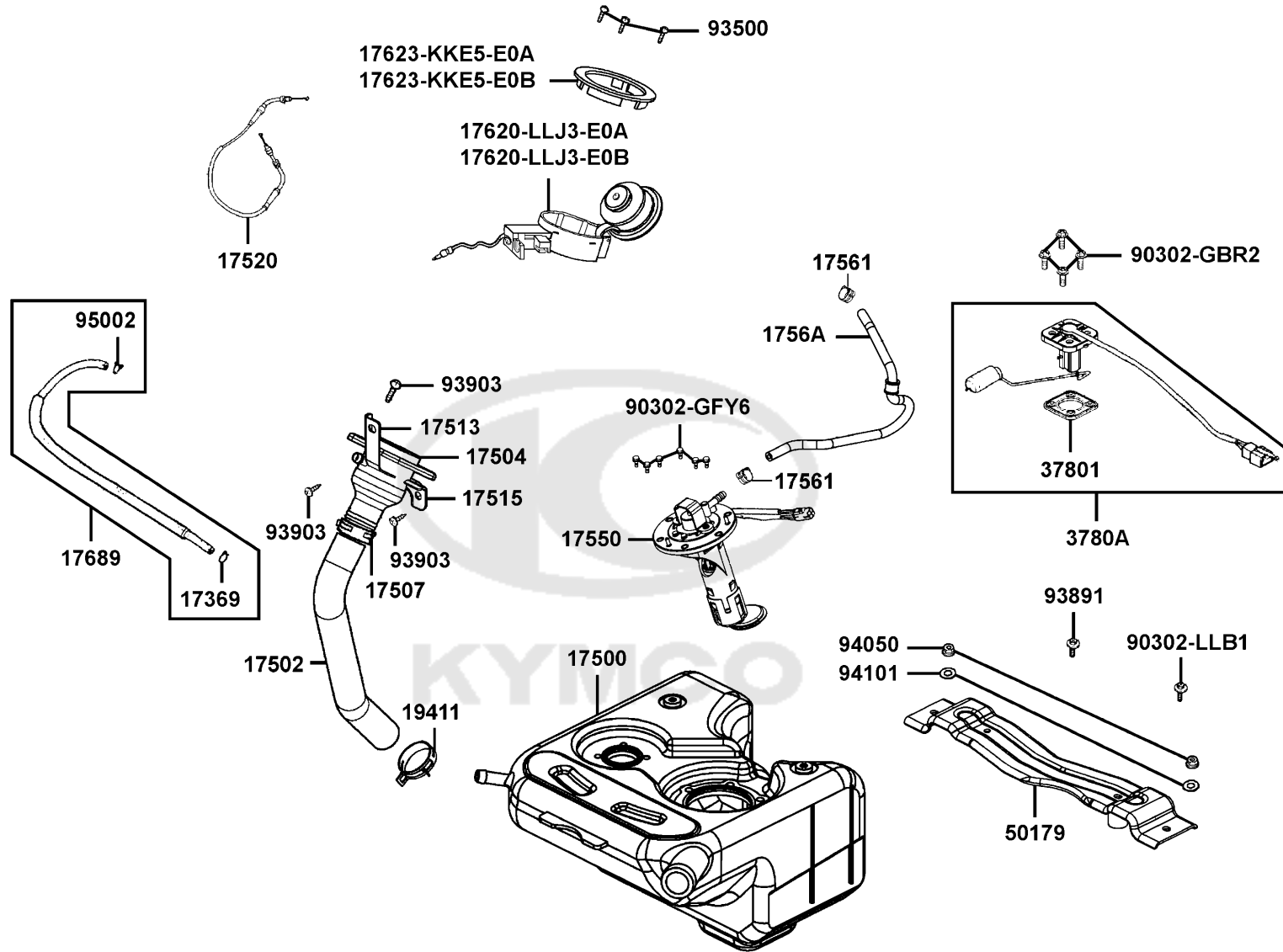


89010

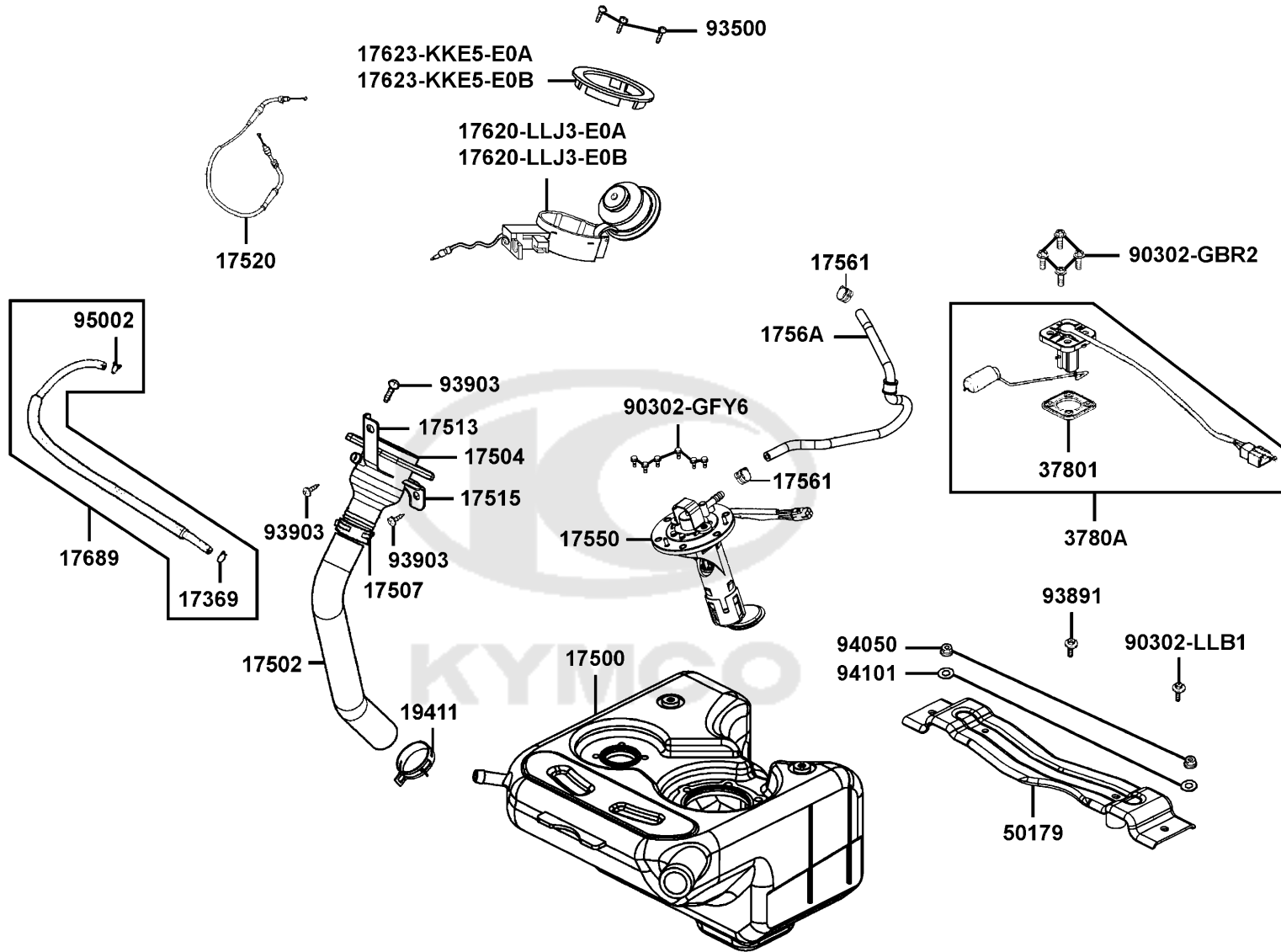


Sales mark	Ref no	Part no	Description	Reg description	Regd no	<b>F09</b>
**	77200	77200-LGH6-E00	SEAT ASSY.	SEAT ASSY.	1	
	77206	77206-KEB7-900	RUBBER SEAT CUSH	RUBBER SEAT CUSH	1	
	77300	77300-LBE3-900	HINGE ASSY. SEAT	HINGE ASSY. SEAT	1	
	77303	77303-KKC4-800	HOOK SEAT LOCK	HOOK SEAT LOCK	1	
	89010	89010-LEB1-900	TOOL SET	TOOL SET	1	
	94050	94050-06080	NUT FLANGE 6MM	NUT FLANGE 6MM	6	

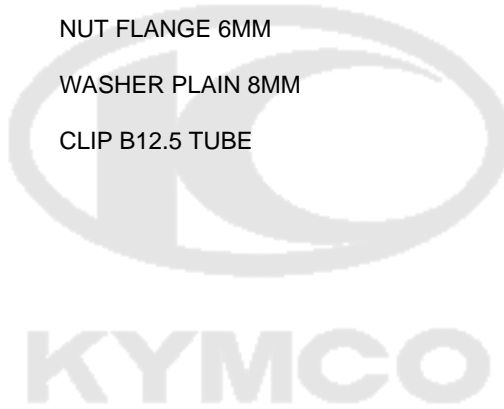




Sales mark	Ref no	Part no	Description	Reg description	Regd no	F10
	17369	17369-KHC4-900	CLIP BREATHER TUBE	CLIP BREATHER TUBE	1	
	17500	17500-LGH6-900	TANK COMP..FUEL	TANK COMP..FUEL	1	
	17502	17502-LEB1-900	TUBE FUEL	TUBE FUEL	1	
	17504	17504-LAB4-900	FUEL FILLER	FUEL FILLER	1	
	17507	17507-LAB4-900	BAND FUEL HOSE	BAND FUEL HOSE	1	
	17513	17513-LAD9-900	FUEL PIPE STAY A	FUEL PIPE STAY A	1	
	17515	17515-LAD9-900	FUEL PIPE STAY B	FUEL PIPE STAY B	1	
	17520	17520-LEB1-900	CABLE COMP FUEL CAP	CABLE COMP FUEL CAP	1	
	17550	17550-LGH6-900	PUMP ASSY.. FUEL	PUMP ASSY.. FUEL	1	
	17561	17561-LGK8-900	CLIP 12.0	CLIP 12.0	2	
	1756A	1756A-LGH6-900	TUBE ASSY.,FUEL PUMP-INJECTOR	TUBE ASSY.,FUEL PUMP-INJECTOR	1	
**	17620-LLJ3-E0A	17620-LLJ3-E0A	CAP COMP FUEL FILLER	CAP COMP FUEL FILLER	1	
**	17620-LLJ3-E0B	17620-LLJ3-E0B	CAP COMP FUEL FILLER	CAP COMP FUEL FILLER	1	
**	17623-KKE5-E0A	17623-KKE5-E0A	COLLAR FUEL FILLER	COLLAR FUEL FILLER	1	
**	17623-KKE5-E0B	17623-KKE5-E0B	COLLAR FUEL FILLER	COLLAR FUEL FILLER	1	
	17689	17689-LFB5-900	TUBE ASSY FILLER	TUBE ASSY FILLER	1	
	19411	19411-KBCB-900	CLIP HOSE	CLIP HOSE	1	
	37801	37801-LAB4-910	PACKING BASE	PACKING BASE	1	
	37801	37801-LHJ3-900	PACKING. BASE	PACKING. BASE	1	
	3780A	3780A-LFB5-910	FUEL UNIT ASSY	FUEL UNIT ASSY	1	

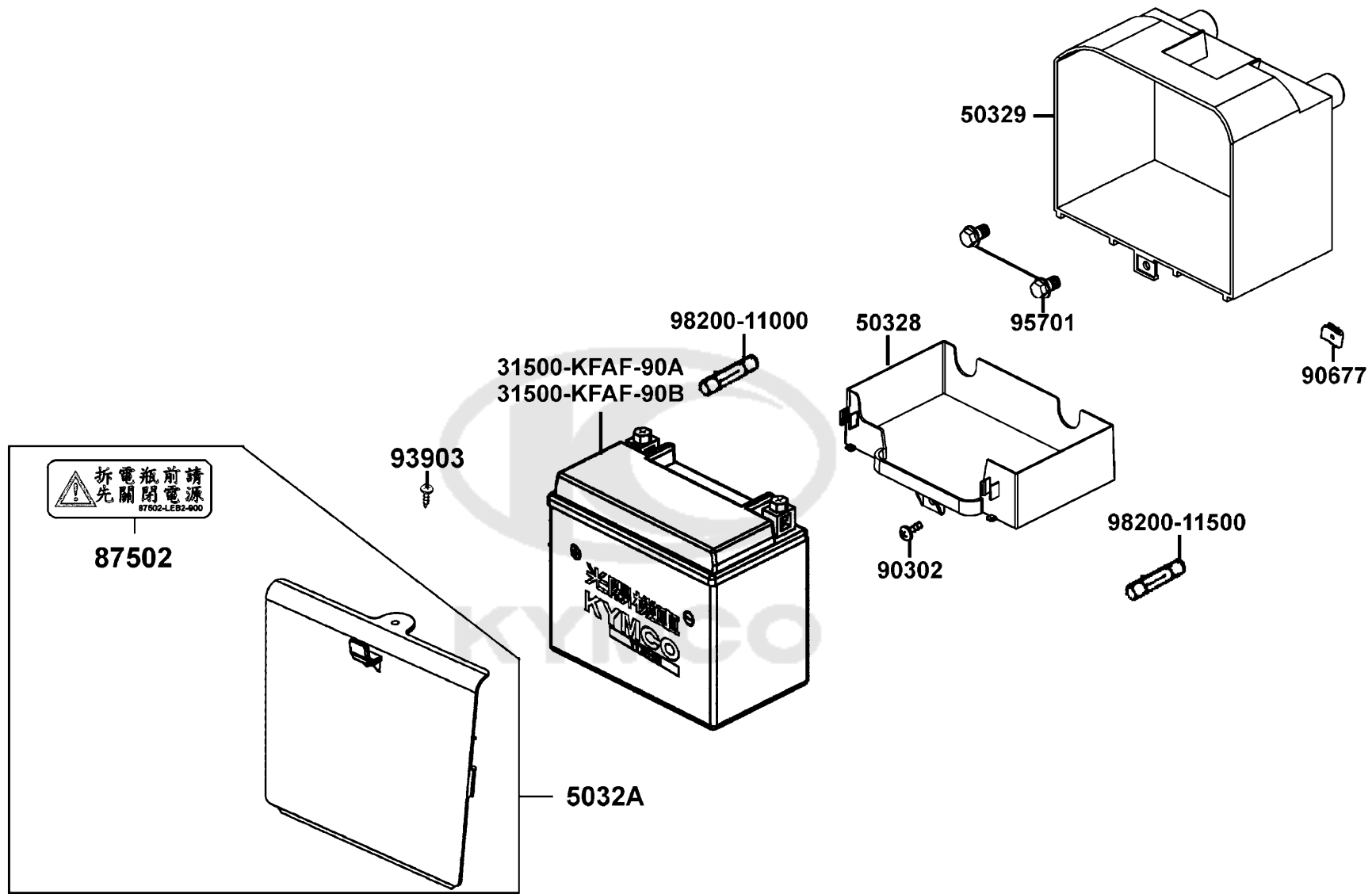


Sales mark	Ref no	Part no	Description	Reg description	Regd no	<b>F10</b>
50179		50179-LEB2-900	BRKT FLOOR PANEL	BRKT FLOOR PANEL	1	
90302-GBR2		90302-GBR2-001	BOLT WASHER 5*16	BOLT WASHER 5*16	4	
90302-GFY6		90302-GFY6-940	BOLT WASHER 5*16	BOLT WASHER 5*16	6	
90302-LLB1		90302-LLB1-E00	BOLT WASH 5*12	BOLT WASH 5*12	1	
93500		93500-04020-0G	SCREW PAN 4*20	SCREW PAN 4*20	3	
93891		93891-05040-06	SCREW WASHER 5*40	SCREW WASHER 5*40	1	
93903		93903-35360	SCREW TAPPING 5*16	SCREW TAPPING 5*16	3	
94050		94050-06080	NUT FLANGE 6MM	NUT FLANGE 6MM	2	
94101		94101-08800	WASHER PLAIN 8MM	WASHER PLAIN 8MM	2	
95002		95002-02130	CLIP B12.5 TUBE	CLIP B12.5 TUBE	2	



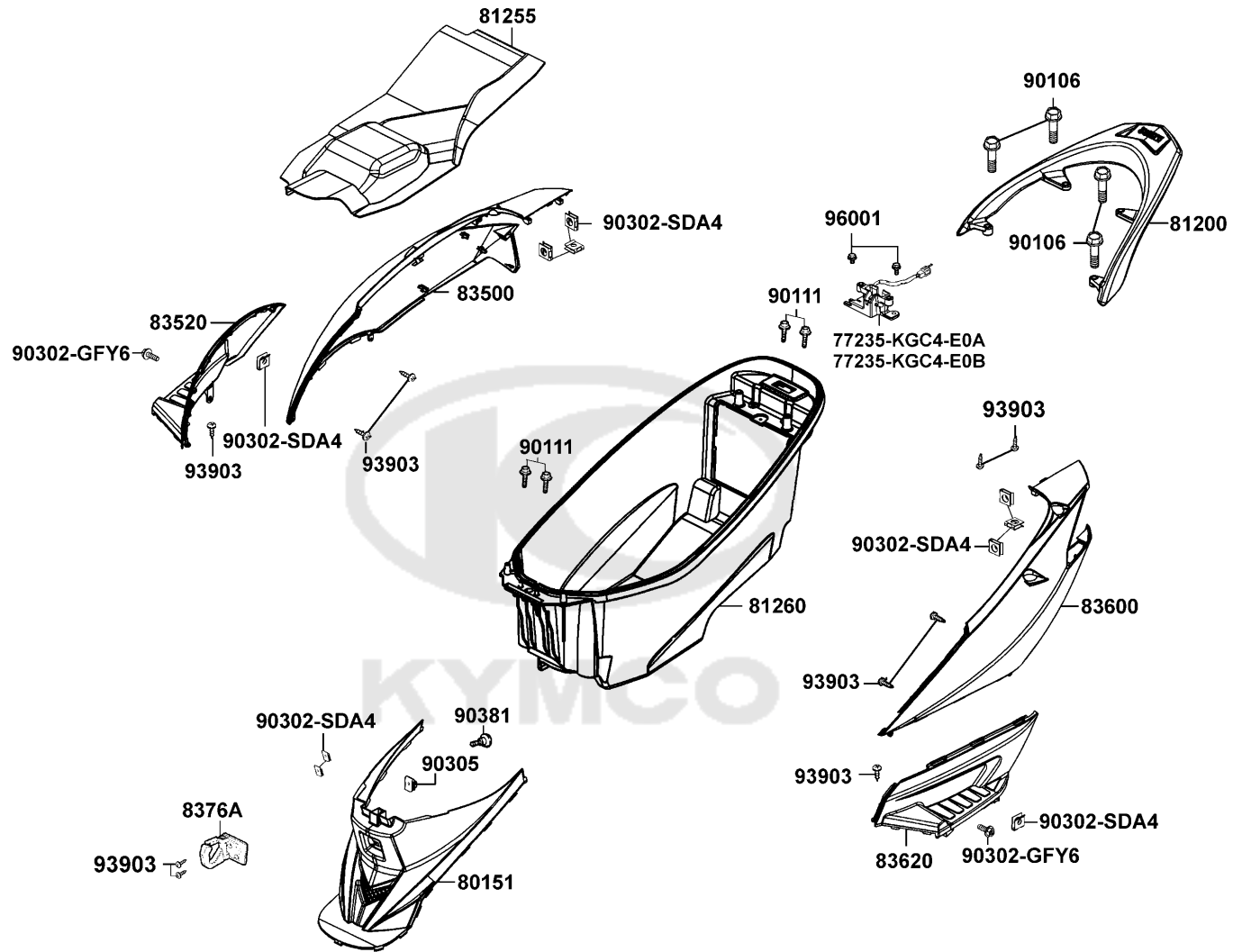
F11

Battery

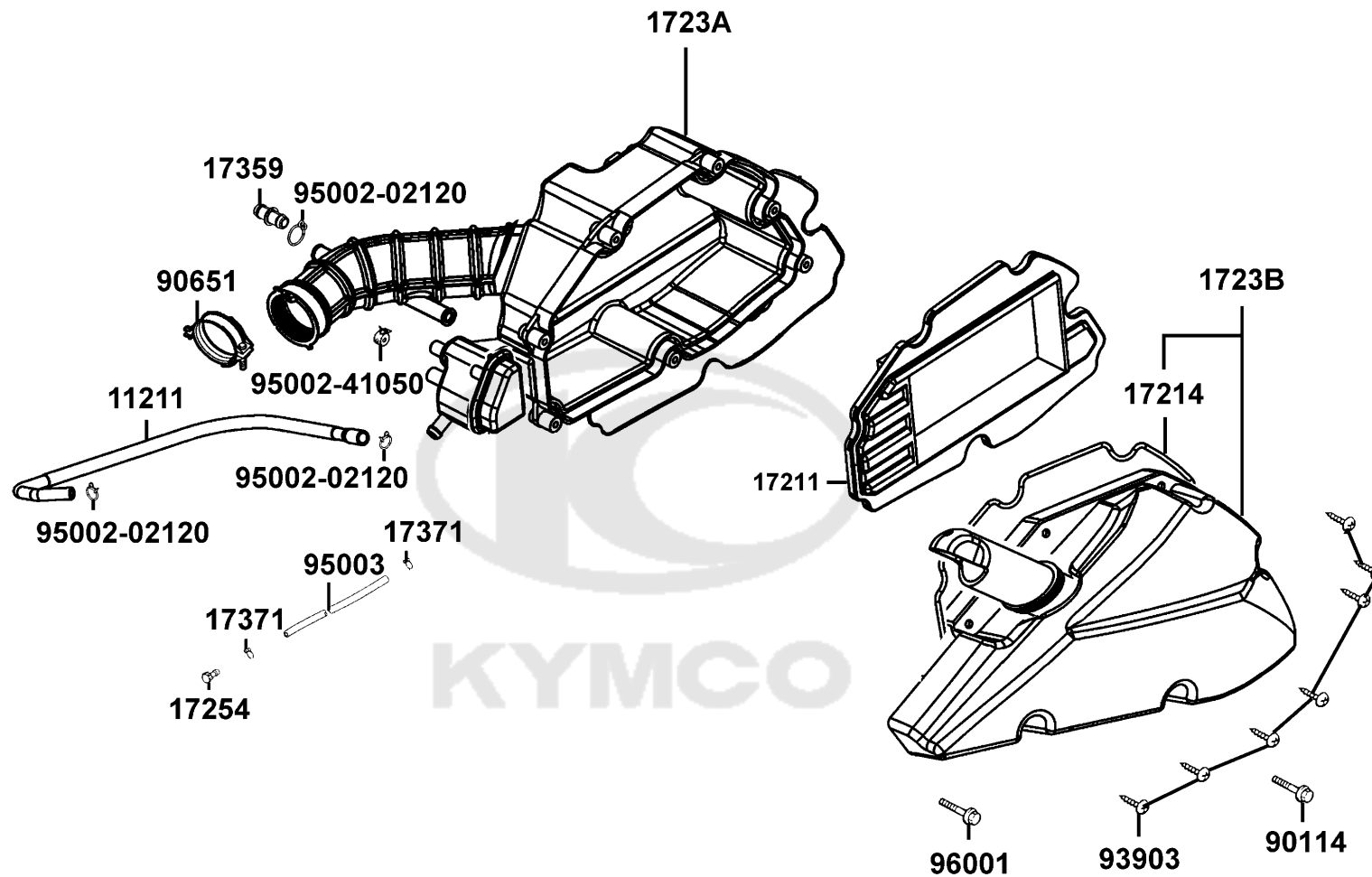




Sales mark	Ref no	Part no	Description	Reg description	Regd no	F11
	31500-KFAF-90A	31500-KFAF-90A	BATTERY YTX9-BS	BATTERY YTX9-BS	1	
	31500-KFAF-90B	31500-KFAF-90B	BATTERY GTX9-BS	BATTERY GTX9-BS	1	
	50328	50328-LBB8-900	BATTERY DRAWER	BATTERY DRAWER	1	
	50329	50329-LEB1-900	BATTERY	BATTERY	1	
**	5032A	5032A-LGH6-E00	COVER ASSY.BATTERY	COVER ASSY.BATTERY	1	
**	87502	87502-LEB2-900	CAUTION BATTERY	CAUTION BATTERY	1	
	90302	90302-GFY6-940	BOLT WASHER 5*16	BOLT WASHER 5*16	1	
	90677	90677-GAR1-004	NUT CLIP 5MM	NUT CLIP 5MM	1	
	93903	93903-34360	SCREW TAPPING 4*12	SCREW TAPPING 4*12	1	
	95701	95701-06022-06	BOLT FLANGE 6*22	BOLT FLANGE 6*22	2	
	98200-11000	98200-11000	FUSE 10A	FUSE 10A	1	
	98200-11500	98200-11500	FUSE A15	FUSE A15	1	



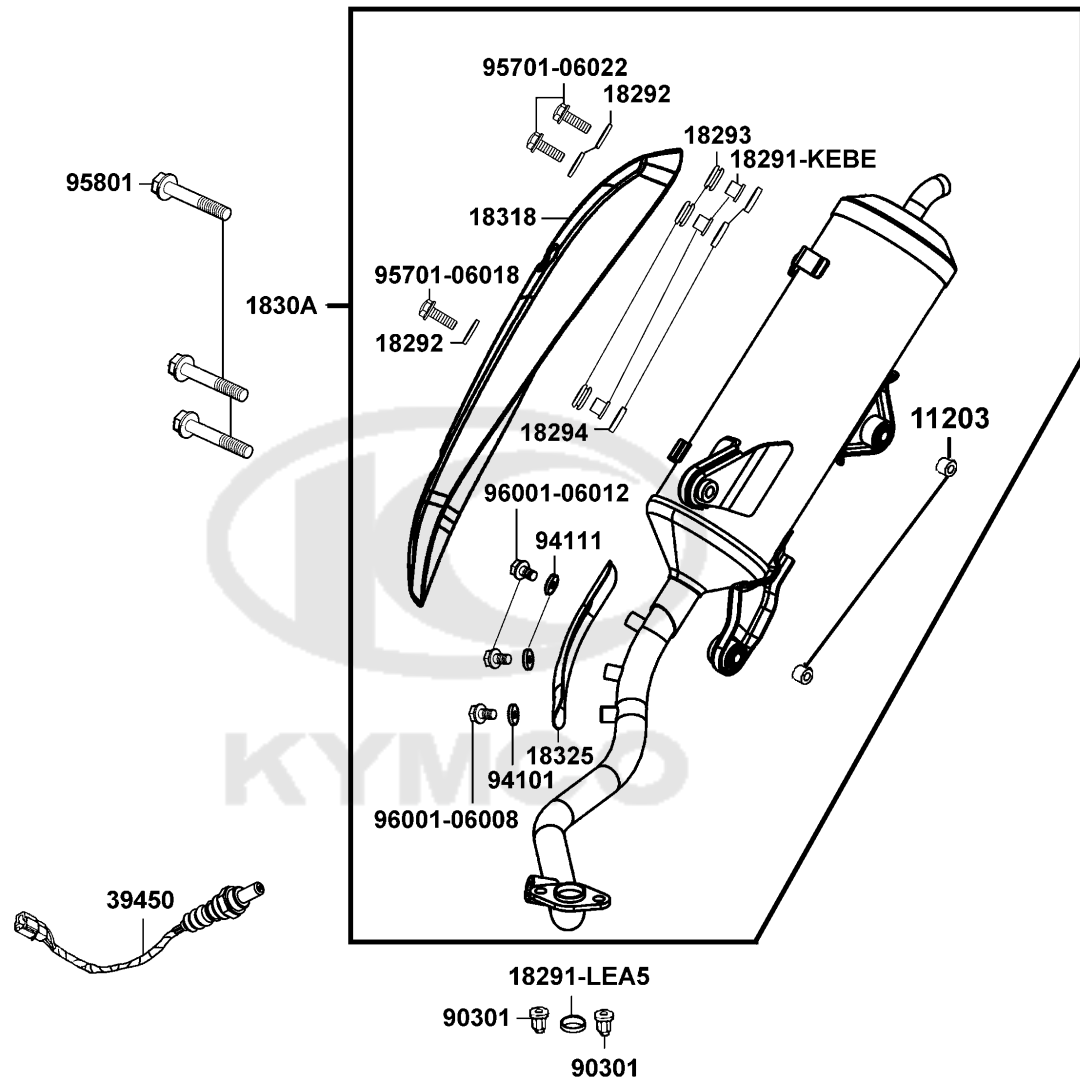
Sales mark	Ref no	Part no	Description	Reg description	Regd no	F12
	77235-KGC4-E0B	77235-LKG2-900	CATCH COMP SEAT	CATCH COMP SEAT	1	
	77235-KGC4-E0A	77235-LKG2-90A	CATCH COMP SEAT	CATCH COMP SEAT	1	
**	80151	80151-LFB5-900	COVER . CENTER	COVER . CENTER	1	
**	81200	81200-LFB5-900	CARRIER. RR.	CARRIER. RR.	1	
	81255	81255-LGL9-900	BAG.LUGGAGE	BAG.LUGGAGE	1	
	81260	81260-LEB2-900	BOX ASSY..LUG	BOX ASSY..LUG	1	
**	83500	83500-LFB5-900	COVER . R BODY	COVER . R BODY	1	
**	83520	83520-LFB5-900	COVER . R SIDE	COVER . R SIDE	1	
**	83600	83600-LFB5-900	COVER . L BODY	COVER . L BODY	1	
**	83620	83620-LFB5-900	COVER . L SIDE	COVER . L SIDE	1	
	8376A	8376A-KECE-901	CLIP ASSY CENTER	CLIP ASSY CENTER	1	
	90106	90106-KFAF-900	BOLT 8*32	BOLT 8*32	4	
	90111	90111-LEB1-900	BOLT FLANGE 6MM	BOLT FLANGE 6MM	4	
	90302-GFY6	90302-GFY6-901	BOLT WASH 5*12	BOLT WASH 5*12	2	
	90302-SDA4	90302-SDA4-004	NUT SPRING 4MM	NUT SPRING 4MM	10	
	90305	90305-GHK8-001	NUT CLIP 6MM	NUT CLIP 6MM	1	
	90381	90381-GEZ5-001	SCREW SPECIAL 6*17	SCREW SPECIAL 6*17	1	
	93903	93903-34360	SCREW TAPPING 4*12	SCREW TAPPING 4*12	10	
	96001	96001-06012-08	BOLT FLANGE SH 6*12	BOLT FLANGE SH 6*12	2	



Sales mark	Ref no	Part no	Description	Reg description	Regd no	<b>F13</b>
11211		11211-LFB5-900	TUBE BRTHER	TUBE BRTHER	1	
17211		17211-LFB5-900	ELEMENT COMP.. AIR/C	ELEMENT COMP.. AIR/C	1	
17214		17214-LDA6-900	SEAL AIR/C CASE	SEAL AIR/C CASE	1	
1723A		1723A-LGH6-E00	CASE COMP..AIR/C	CASE COMP..AIR/C	1	
1723B		1723B-LGH6-900	COVER ASS.Y.AIR/C	COVER ASS.Y.AIR/C	1	
17254		17254-KACA-P00	PLUG AIR/C CONN TUBE	PLUG AIR/C CONN TUBE	1	
17359		17359-4K19-671	JOINT BREATHER TUBE	JOINT BREATHER TUBE	1	
17371		17371-1D74-671	CLIP BREATHER TUBE	CLIP BREATHER TUBE	2	
90114		90114-GDM4-011	BOLT FLANGE SH 6*28	BOLT FLANGE SH 6*28	1	
90651		90651-LFB5-900	BAND 47.5 AIR/C CONNECTING TUBE	BAND 47.5 AIR/C CONNECTING TUBE	1	
93903		93903-25460	SCREW TAPPING 5*20	SCREW TAPPING 5*20	7	
95002-02120		95002-02120	CLIP B12 TUBE	CLIP B12 TUBE	3	
95002-41050		95002-41050-00	CLIP D10.5 TUBE	CLIP D10.5 TUBE	1	
95003		95003-23024-60	V TUBE 8*12*240	V TUBE 8*12*240	1	
96001		96001-06035-08	BOLT FLANGE 6*35	BOLT FLANGE 6*35	1	

F14

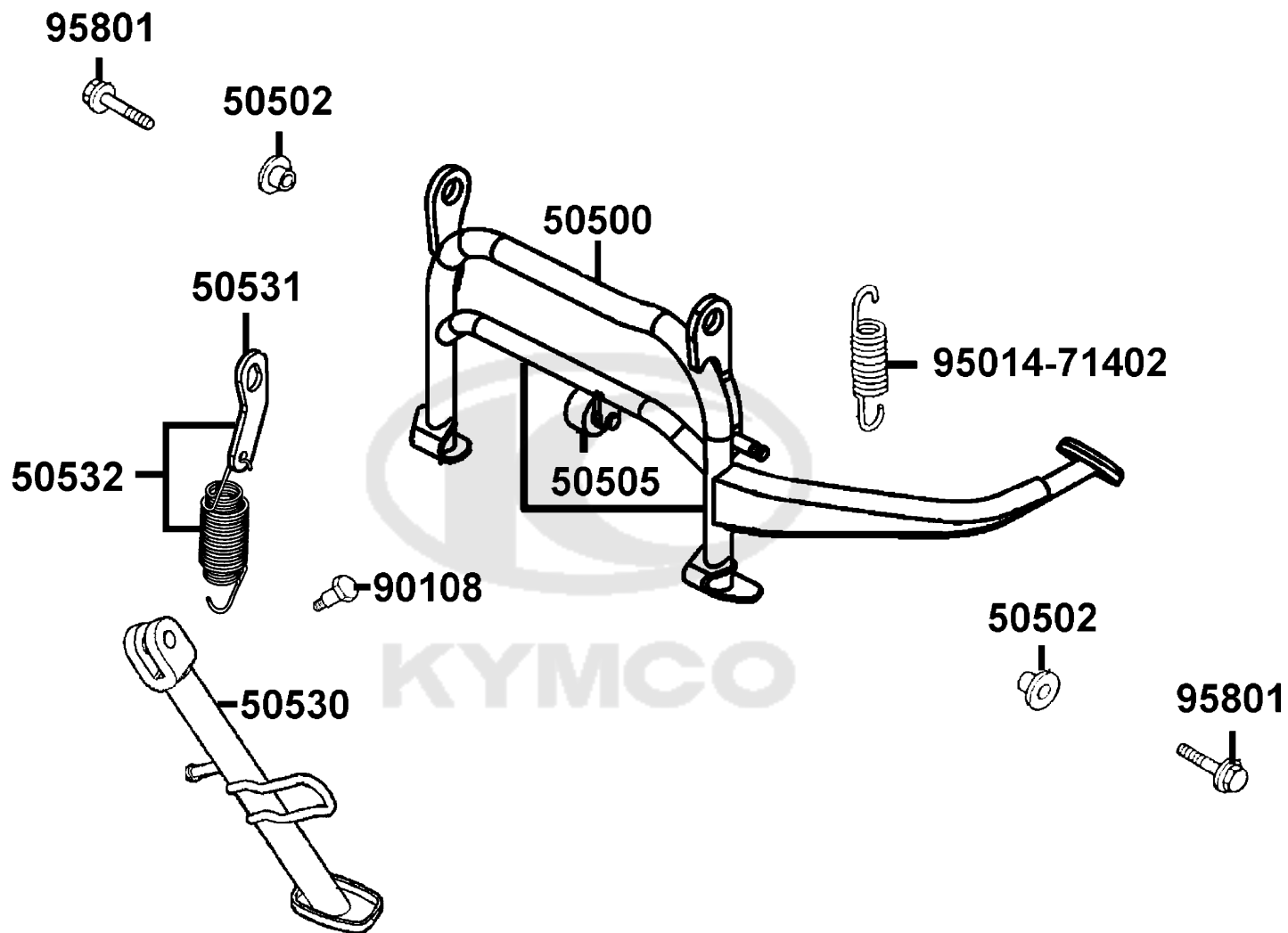
Exhaust Muffler



Sales mark	Ref no	Part no	Description	Reg description	Regd no	F14
	11203	11203-GFY6-901	RUBBER BUSH MUFFLER STAY	RUBBER BUSH MUFFLER STAY	2	
	18291-KEBE	18291-KEBE-900	COLLAR	COLLAR	3	
	18291-LEA5	18291-LEA5-E00	GASKET EXH PIPE	GASKET EXH PIPE	1	
	18292	18292-KEBE-900	PACKING PROTECTOR	PACKING PROTECTOR	3	
	18293	18293-KEBE-900	RUBBER PKG PROTECTOR	RUBBER PKG PROTECTOR	3	
	18294	18294-KEBE-900	PACKING PROTECTOR	PACKING PROTECTOR	3	
**	1830A	1830A-LGH6-E00	MUFFLER ASS'Y	MUFFLER ASS'Y	1	
**	18318	18318-LFB5-E0A	PROTECTOR MUFFLER	PROTECTOR MUFFLER	1	
**	18325	18325-LFB6-E00	PROTECTOR,EXH.PIPE	PROTECTOR,EXH.PIPE	1	
	39450	39450-LEA6-800	O2 SENSOR	O2 SENSOR	1	
	90301	90301-GFY6-901	NUT (HEX) CAP 8MM	NUT (HEX) CAP 8MM	2	
	94101	94101-06700	WASHER PLAIN 6MM	WASHER PLAIN 6MM	1	
	94111	94111-06600	WASHER SPG 6MM	WASHER SPG 6MM	2	
	95701-06018	95701-06018-07	BOLT FLANGE 6*18	BOLT FLANGE 6*18	1	
	95701-06022	95701-06022-06	BOLT FLANGE 6*22	BOLT FLANGE 6*22	2	
	95801	95801-08042-06	BOLT FLANGE 8*42	BOLT FLANGE 8*42	3	
	96001-06008	96001-06008-07	BOLT FLANGE 6*8	BOLT FLANGE 6*8	1	
	96001-06012	96001-06012-06	BOLT FLANGE SH6*12	BOLT FLANGE SH6*12	2	

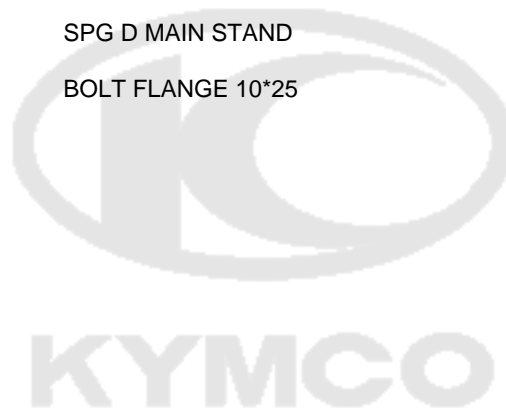
F15

Stand



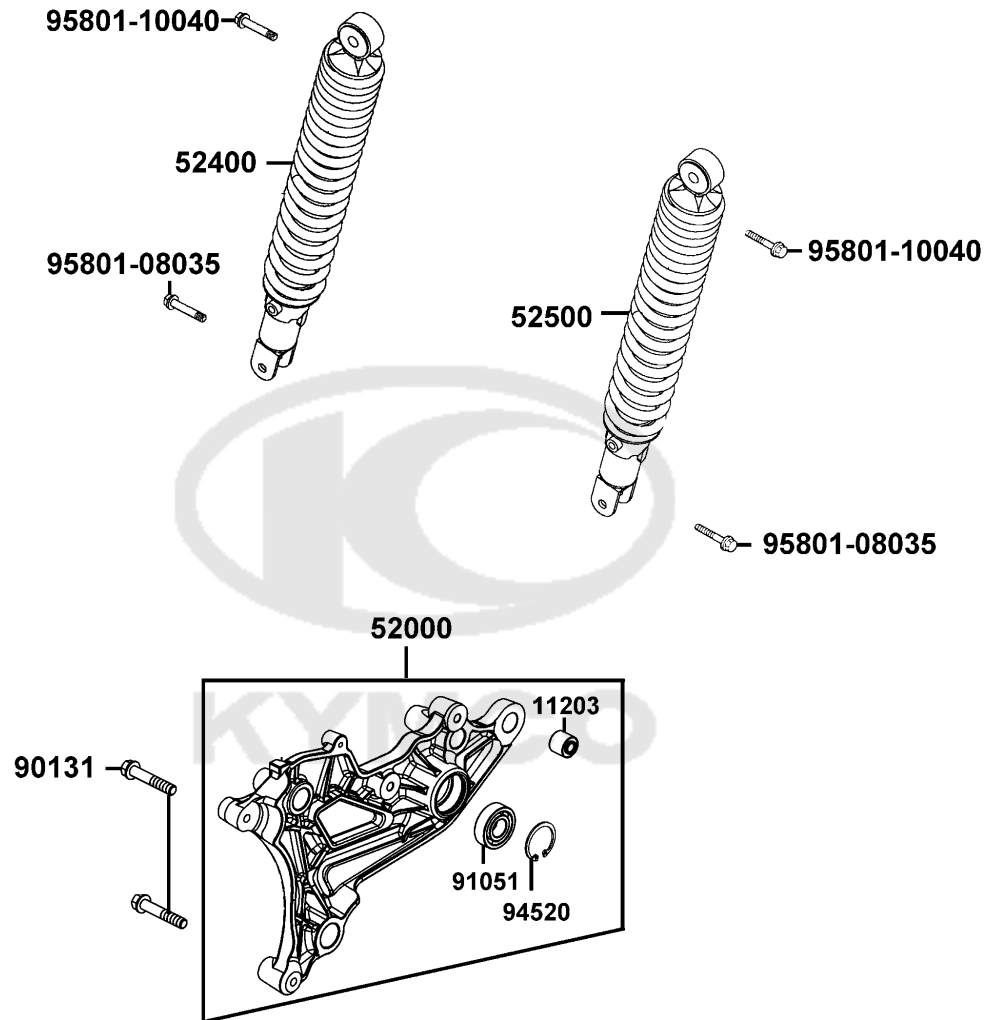


Sales mark	Ref no	Part no	Description	Reg description	Regd no	F15
	50500	50500-LFB5-900	STAND COMP..MAIN	STAND COMP..MAIN	1	
	50502	50502-GFY6-901	COLLAR MAIN STAND	COLLAR MAIN STAND	2	
	50505	50505-LAD9-900	STOPPER RUBBER	STOPPER RUBBER	1	
	50530	50530-LGH6-E00	SIDE STAND COMP	SIDE STAND COMP	1	
	50531	50531-KEB7-E00	PLATE SPRING STOPPER	PLATE SPRING STOPPER	1	
	50532	50532-KGBG-E00	SPRING COMP SIDE STAND	SPRING COMP SIDE STAND	1	
	90108	90108-KUDU-900	SCREW SIDE STAND PIVOT	SCREW SIDE STAND PIVOT	1	
	95014-71402	95014-71402	SPG D MAIN STAND	SPG D MAIN STAND	1	
	95801	95801-10025-08	BOLT FLANGE 10*25	BOLT FLANGE 10*25	2	

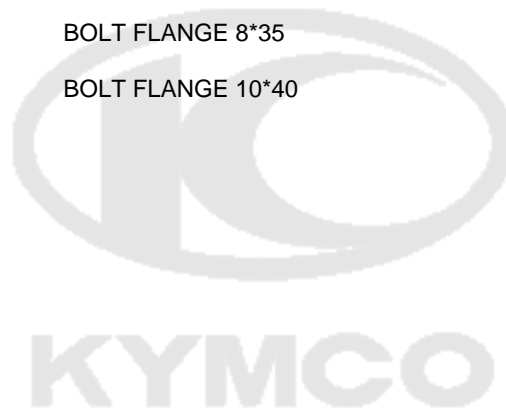


F16

Rear Cushion

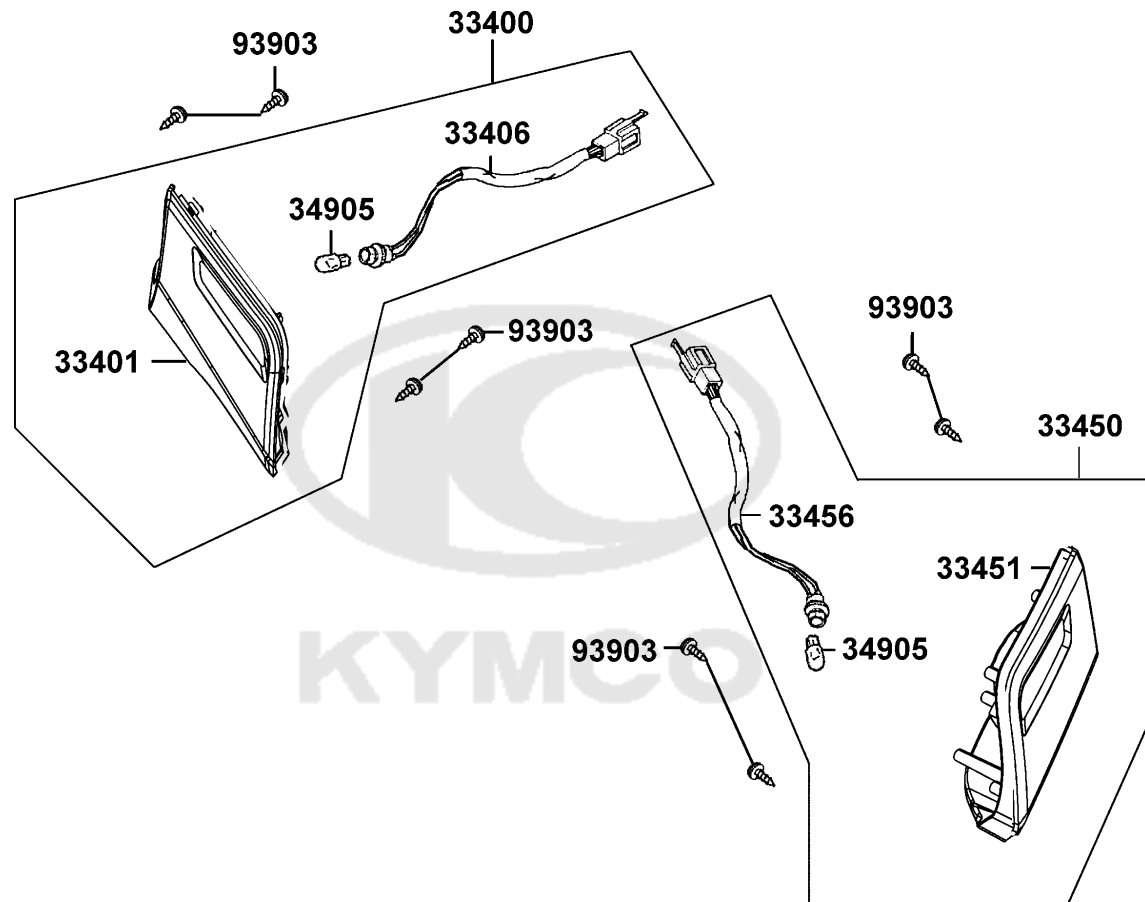


Sales mark	Ref no	Part no	Description	Reg description	Regd no	F16
	11203	11203-GGC7-301	UNDER RUBBER BUSH RR CUSHION	UNDER RUBBER BUSH RR CUSHION	1	
**	52000	52000-LFB5-900	FORK ASSY .RR	FORK ASSY .RR	1	
**	52400	52400-LFB5-900	CUSHION ASSY .RR	CUSHION ASSY .RR	1	
**	52500	52500-LFB5-900	CUSHION ASSY .RR L	CUSHION ASSY .RR L	1	
	90131	90131-LFB5-900	BOLT FLANGE 8*35	BOLT FLANGE 8*35	2	
	91051	91051-KFBF-901	BRG BALL RAKIAL 6203ZZ	BRG BALL RAKIAL 6203ZZ	1	
	94520	94520-40000	CIR CLIP IN 40	CIR CLIP IN 40	1	
	95801-08035	95801-08035-06	BOLT FLANGE 8*35	BOLT FLANGE 8*35	2	
	95801-10040	95801-10040-08	BOLT FLANGE 10*40	BOLT FLANGE 10*40	2	



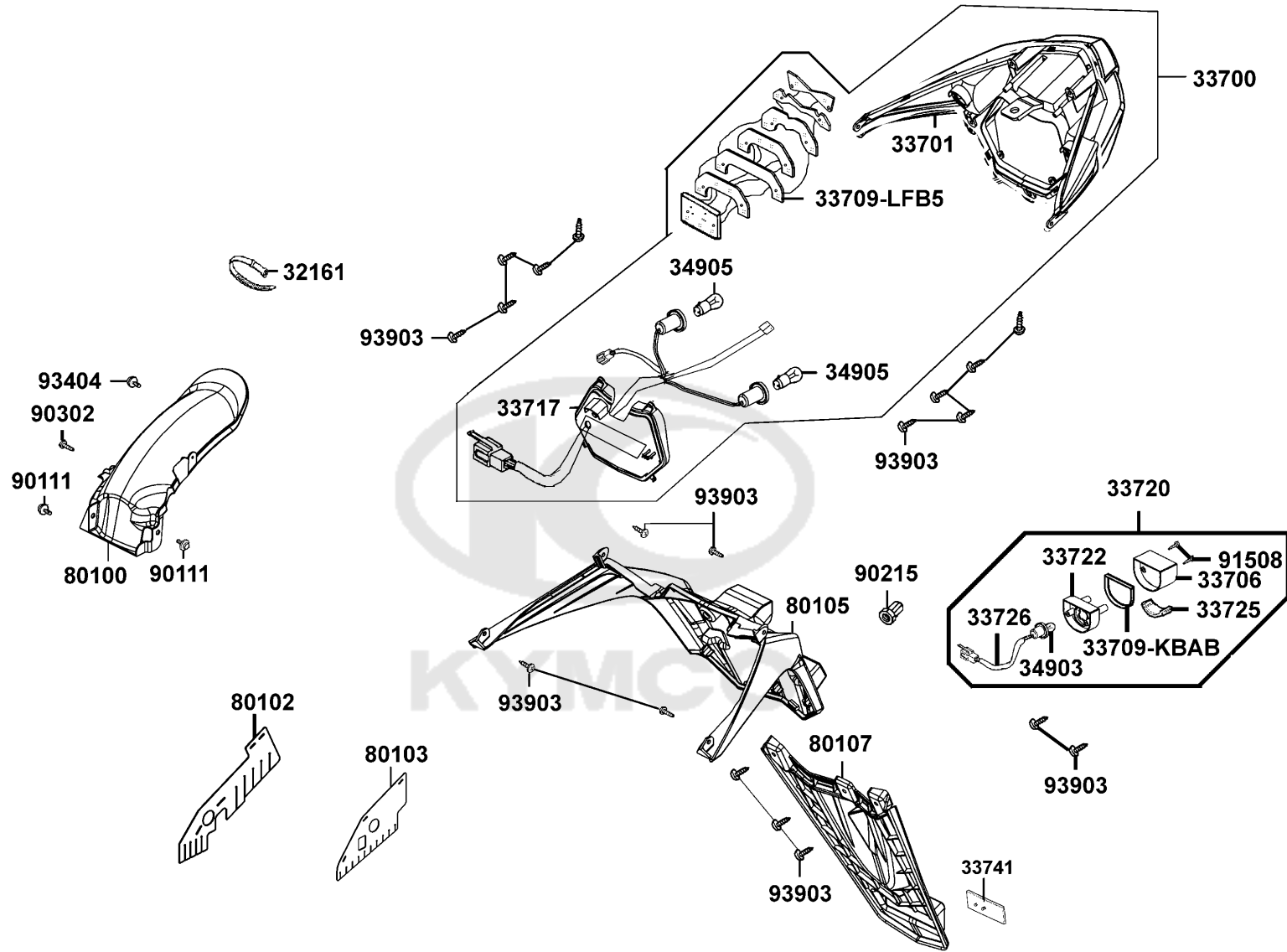
F17

Front Winker



Sales mark	Ref no	Part no	Description	Reg description	Regd no	F17
33400		33400-LFB5-900	WINKER ASS.Y..RH FR.	WINKER ASS.Y..RH FR.	1	
33401		33401-LFB5-900	WINKER COMP R FR	WINKER COMP R FR	1	
33406		33406-LFB5-900	SOCKET COMP R WINKER	SOCKET COMP R WINKER	1	
33450		33450-LFB5-900	WINKER ASS.Y..LH FR.	WINKER ASS.Y..LH FR.	1	
33451		33451-LFB5-900	WINKER COMP L FR	WINKER COMP L FR	1	
33456		33456-LFB5-900	SOCKET COMP L WINKER	SOCKET COMP L WINKER	1	
34905		34905-LBA7-E00	BULB WINKER 12V10W	BULB WINKER 12V10W	2	
93903		93903-34360	SCREW TAPPING 4*12	SCREW TAPPING 4*12	8	

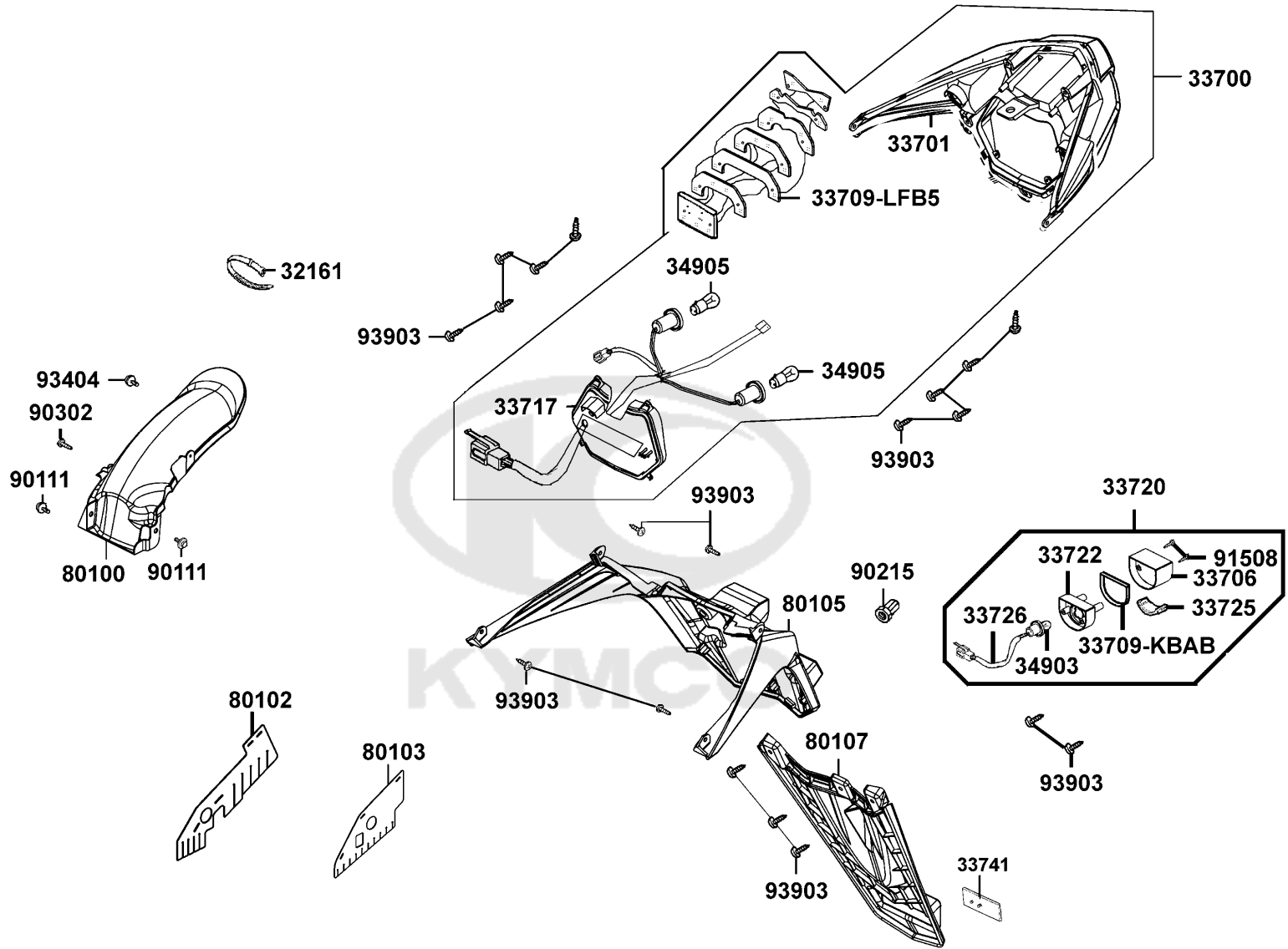





Sales mark	Ref no	Part no	Description	Reg description	Regd no	F18
	32161	32161-LBA7-900	BAND WIRE	BAND WIRE	1	
	33700	33700-LGH5-900	LIGHT ASS.Y..RR.COMB.	LIGHT ASS.Y..RR.COMB.	1	
	33701	33701-LGH5-900	LIGHT SET RR COMB	LIGHT SET RR COMB	1	
	33706	33706-KHB4-E01	COVER LICENSE	COVER LICENSE	1	
	33709-KBAB	33709-KBAB-003	PACKING LICENSE	PACKING LICENSE	1	
	33709-LFB5	33709-LFB5-900	PCB TAIL LIGHT	PCB TAIL LIGHT	1	
	33717	33717-LFB5-900	SOCKET COMP RR COMB	SOCKET COMP RR COMB	1	
	33720	33720-KHB4-E00	LIGHT ASSY LICENSE	LIGHT ASSY LICENSE	1	
	33722	33722-KHB4-E00	BASE LICENSE	BASE LICENSE	1	
	33725	33725-KHB4-E00	LENS LICENSE	LENS LICENSE	1	
	33726	33726-KHB4-E00	SCOKET COMP	SCOKET COMP	1	
	33741	33741-KEC8-900	REFLEX REFLECTOR	REFLEX REFLECTOR	1	
	34903	34903-KPCP-900	BULB POSITION	BULB POSITION	1	
	34905	34905-KHC4-900	BULB WINKER	BULB WINKER	2	
**	80100	80100-LFB5-910	FENDER TIRE . RR.	FENDER TIRE . RR.	1	
	80102	80102-LFB5-900	PLATE SPLASH BOARD	PLATE SPLASH BOARD	1	
	80103	80103-LFB5-900	PLATE A SPLASH BOARD	PLATE A SPLASH BOARD	1	
**	80105	80105-LFB5-900	FENDER RR	FENDER RR	1	
**	80107	80107-LFB5-900	FENDER . RR. LOW	FENDER . RR. LOW	1	
	90111	90111-LEB1-900	BOLT FLANGE 6MM	BOLT FLANGE 6MM	2	

F18

Tail Light Rear Fender

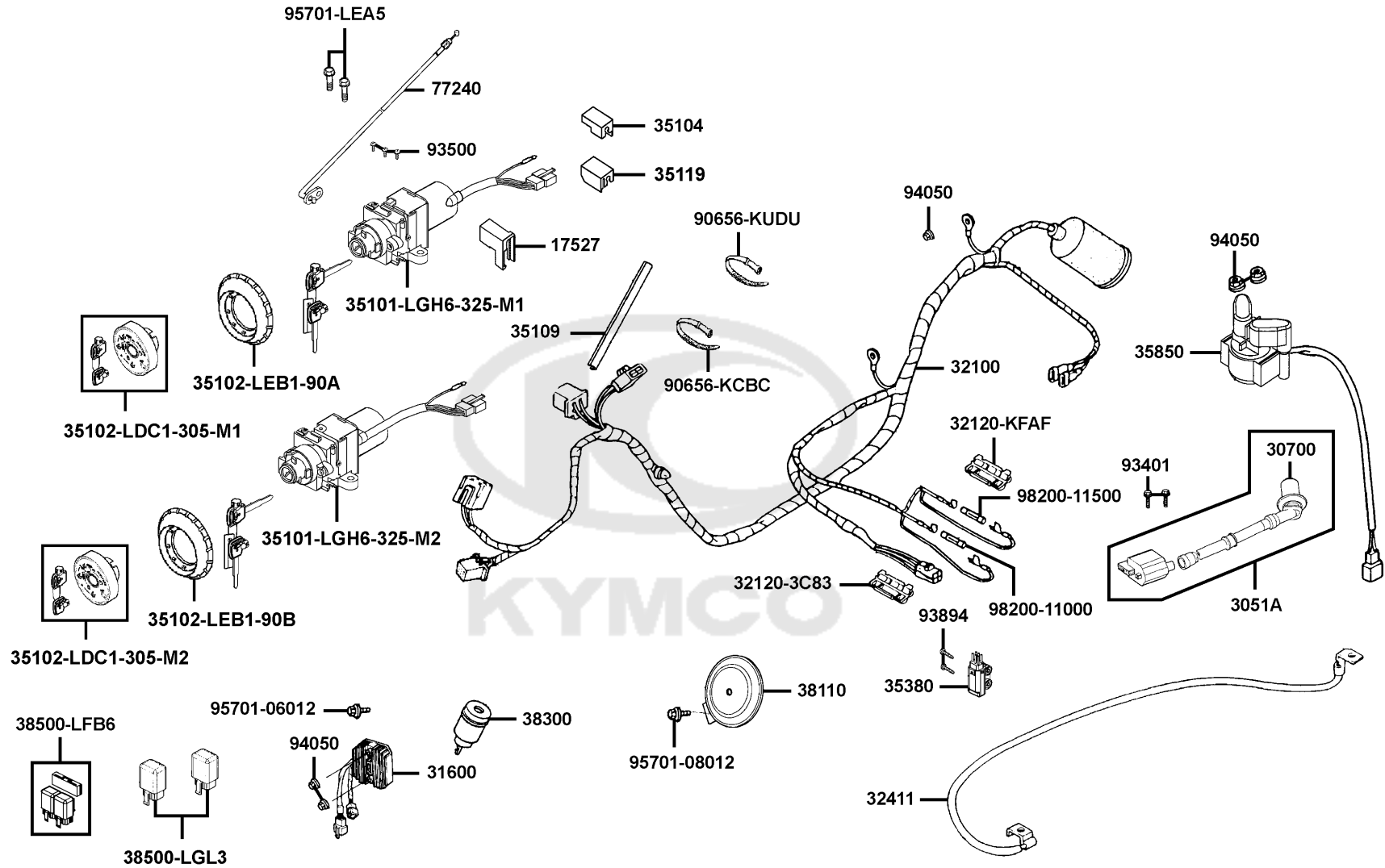




Sales mark	Ref no	Part no	Description	Reg description	Regd no	<b>F18</b>
90215		90215-GLM0-910	NUT CAP 6MM	NUT CAP 6MM	1	
90302		90302-LLB1-E00	BOLT WASH 5*12	BOLT WASH 5*12	1	
91508		91508-KGV7-67A	SCREW TAPPING 4*14	SCREW TAPPING 4*14	1	
93404		93404-06012-06	BOLT WASHER 6*12	BOLT WASHER 6*12	1	
93903		93903-34360	SCREW TAPPING 4*12	SCREW TAPPING 4*12	17	
						

F19

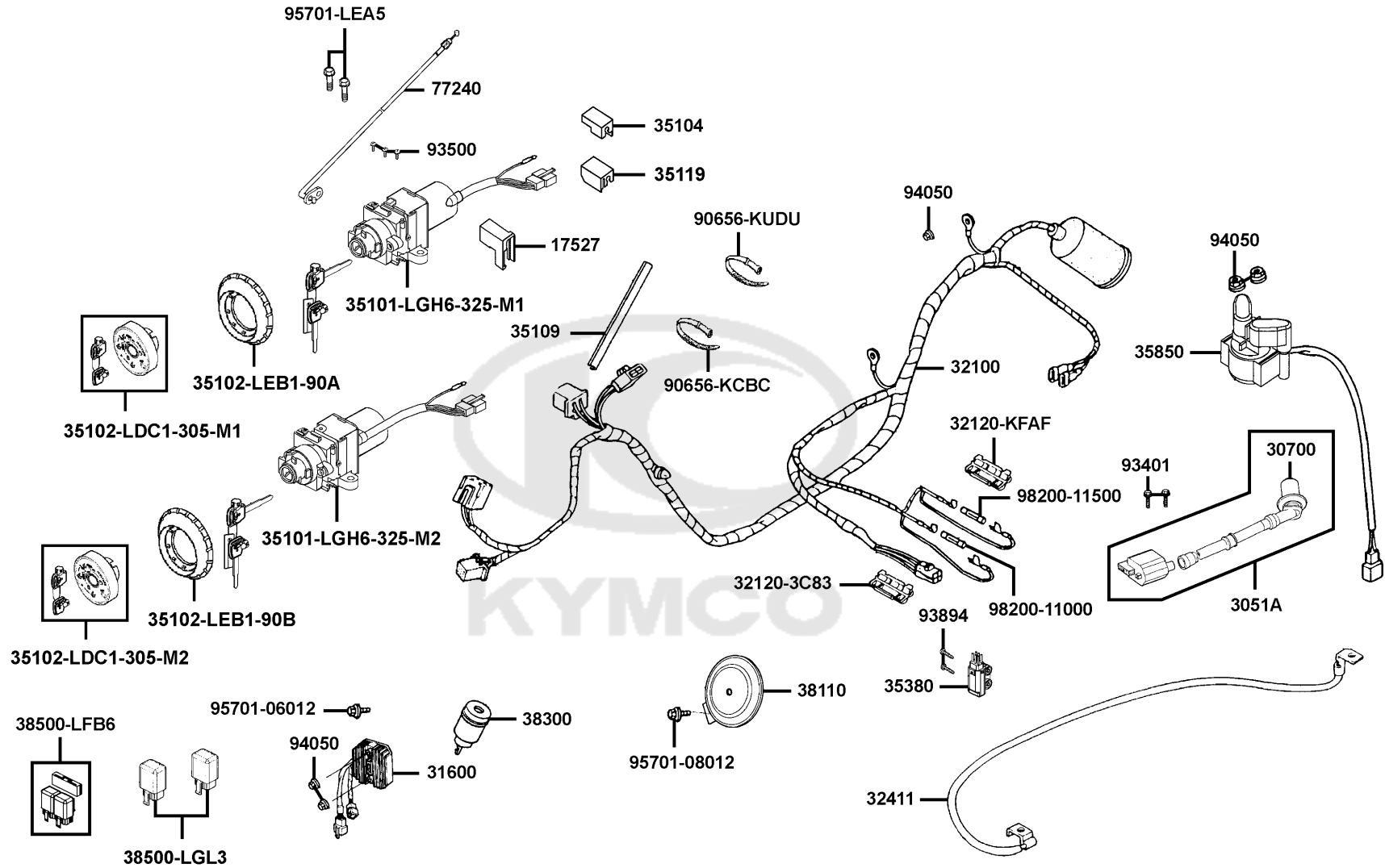
Wire Harness



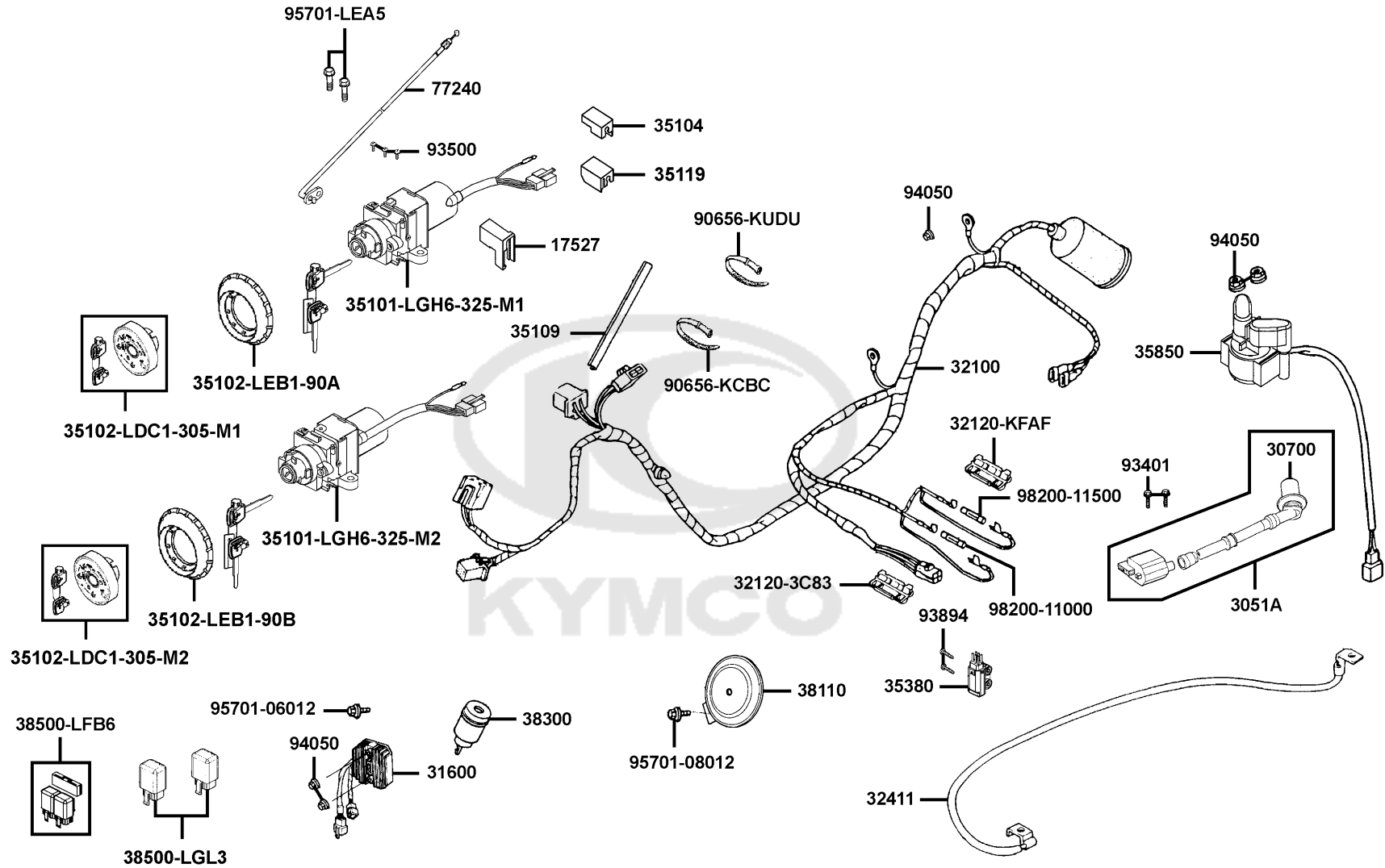
Sales mark	Ref no	Part no	Description	Reg description	Regd no	<b>F19</b>
17527		17527-LBA2-900	SLIDE COVER FUEL CAP	SLIDE COVER FUEL CAP	1	
3051A		3051A-LEB2-910	COIL ASSY IGNITION	COIL ASSY IGNITION	1	
30700		30700-LEB2-910	CAP ASSY NOISE SUPPRESOR	CAP ASSY NOISE SUPPRESOR	1	
31600		31600-KED9-900	REG REC COMP	REG REC COMP	1	
32100		32100-LGH6-900	HARNESS WIRE	HARNESS WIRE	1	
32120-3C83		32120-3C83-831	CASE FUSE 10A	CASE FUSE 10A	1	
32120-KFAF		32120-KFAF-900	CASE FUSE 15A	CASE FUSE 15A	1	
32411		32411-LEB1-900	CABLE BAT	CABLE BAT	1	
35101-LGH6-325-M1	35101-LGH6-325-M1		KEY SET	KEY SET	1	
35101-LGH6-325-M2	35101-LGH6-325-M2		KEY SET	KEY SET	1	
35102-LDC1-305-M1	35102-LDC1-305-M1		SHUTTER SET MAGNETIC LOCK	SHUTTER SET MAGNETIC LOCK	1	
35102-LDC1-305-M2	35102-LDC1-305-M2		SHUTTER SET MAGNETIC LOCK	SHUTTER SET MAGNETIC LOCK	1	
35102-LEB1-90A	35102-LEB1-90A		COLLAR MAIN SW	COLLAR MAIN SW	1	
35102-LEB1-90B	35102-LEB1-90B		COLLAR MAIN SW	COLLAR MAIN SW	1	
35104		35104-LEB1-90A	PLATE COVER FUEL CAP CABLE	PLATE COVER FUEL CAP CABLE	1	
35104		35104-LEB1-90B	PLATE COVER FUEL CAP CABLE	PLATE COVER FUEL CAP CABLE	1	
35109		35109-LBC6-90A	PROTECTING COVER CABLE	PROTECTING COVER CABLE	1	
35109		35109-LBC6-90B	PROTECTING COVER CABLE	PROTECTING COVER CABLE	1	
35119		35119-KHC4-90A	COVER SEAT CABLE	COVER SEAT CABLE	1	
35119		35119-KHC4-90B	COVER SEAT CABLE	COVER SEAT CABLE	1	

F19

Wire Harness



Sales mark	Ref no	Part no	Description	Reg description	Regd no	F19
	35380	35380-LDF2-900	SENSOR ANGLE DETECT	SENSOR ANGLE DETECT	1	
	35850	35850-KHD8-900	SET START MAG	SET START MAG	1	
	35850	35850-KHD8-90A	SET START MAG	SET START MAG	1	
	38110	38110-LEA5-E00	HORN COMP	HORN COMP	1	
	38300	38300-LEA5-E0A	RELAY ASSY WINKER	RELAY ASSY WINKER	1	
	38500-LFB6	38500-LFB6-90A	RELAY ASSY LIGHT	RELAY ASSY LIGHT	1	
	38500-LFB6	38500-LFB6-90B	RELAY ASSY LIGHT	RELAY ASSY LIGHT	1	
	38500-LGL3	38500-LGL3-90A	RELAY ASSY LIGHT/D402	RELAY ASSY LIGHT/D402	1	
	38500-LGL3	38500-LGL3-90D	RELAY COMP. START	RELAY COMP. START	1	
	77240	77240-LFB5-900	CABLE SEAT LOCK	CABLE SEAT LOCK	1	
	90656-KCBC	90656-KCBC-900	BAND OIL HANDLE	BAND OIL HANDLE	1	
**	90656-KUDU	90656-KUDU-900	BAND HARNESS WIRE	BAND HARNESS WIRE	6	
	93401	93401-04025-08	BOLT WASHER 4*25	BOLT WASHER 4*25	2	
	93500	93500-KHC4-90A	SCREW PAN 5*10	SCREW PAN 5*10	3	
	93894	93894-04022-08	SCREW WASHER 4*22	SCREW WASHER 4*22	2	
	94050	94050-06080	NUT FLANGE 6MM	NUT FLANGE 6MM	5	
	95701-06012	95701-06012-08	BOLT FLANGE 6*12	BOLT FLANGE 6*12	1	
	95701-08012	95701-08012-08	BOLT FLANGE 8X12	BOLT FLANGE 8X12	1	
	95701-LEA5	95701-LEA5-E00	BOLT TORQUE 8*25	BOLT TORQUE 8*25	2	
	98200-11000	98200-11000	FUSE 10A	FUSE 10A	1	



Sales mark	Ref no	Part no	Description	Reg description	Regd no	<b>F19</b>
------------	--------	---------	-------------	-----------------	---------	------------

98200-11500

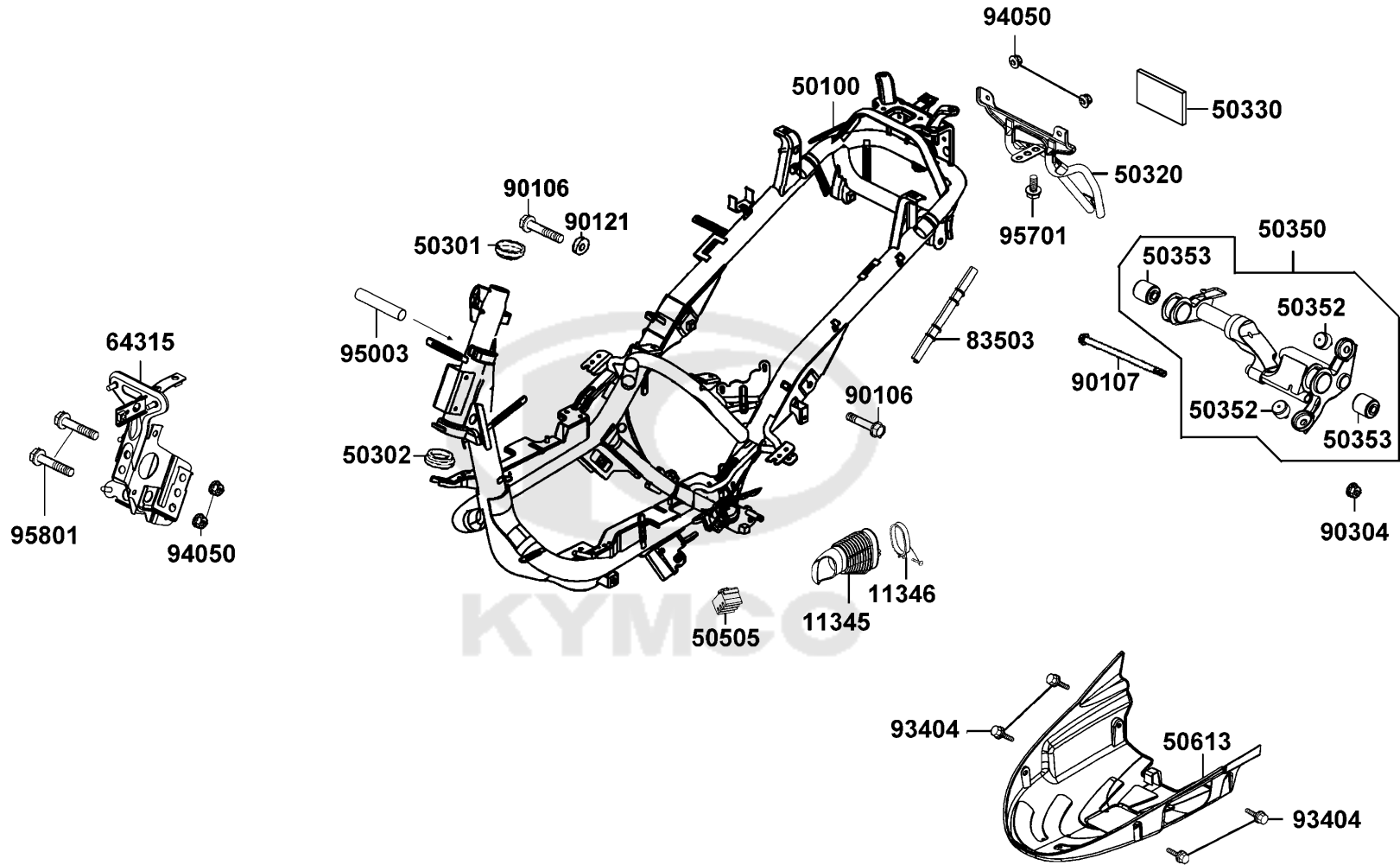
98200-11500

FUSE A15

FUSE A15

1



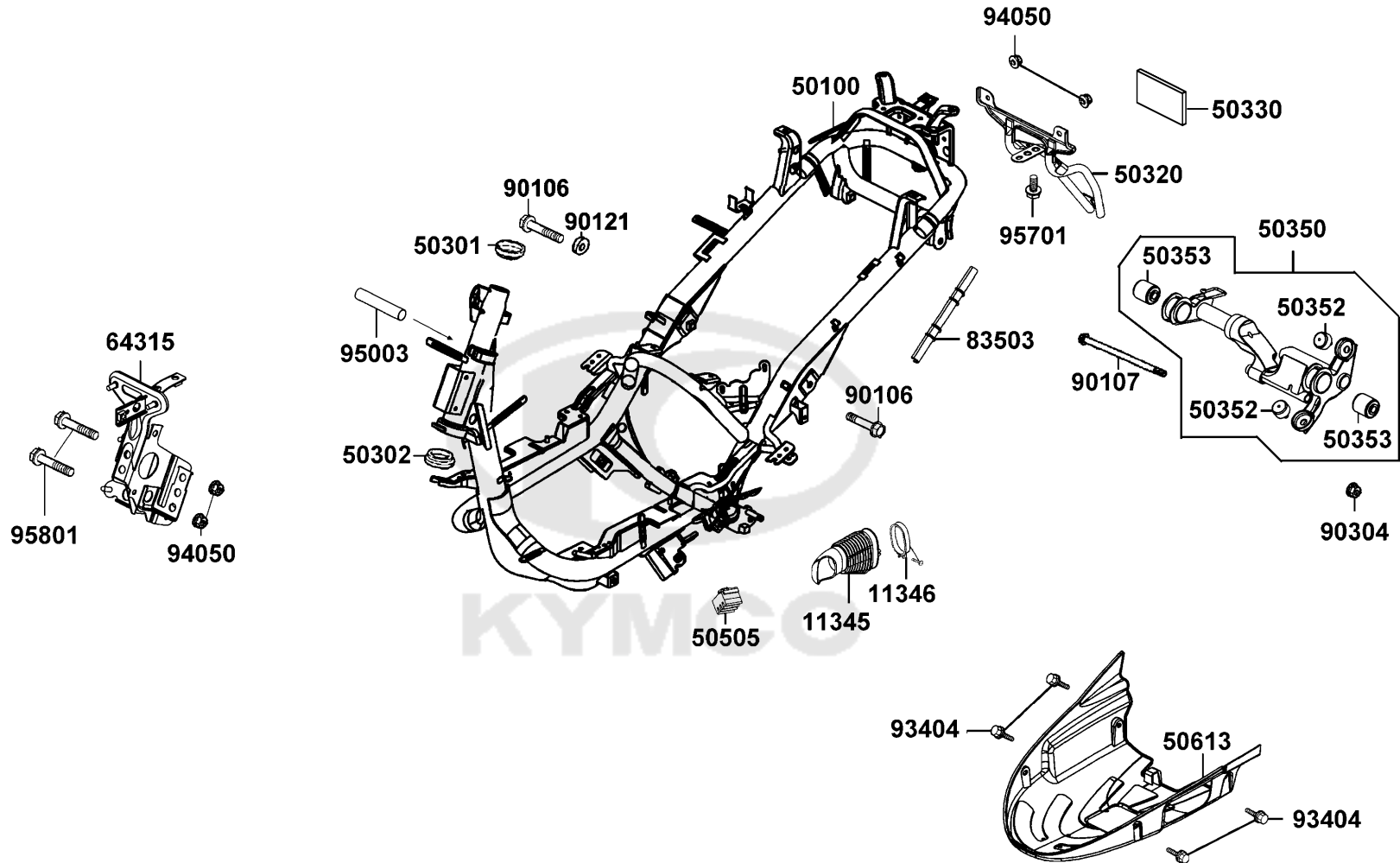





Sales mark	Ref no	Part no	Description	Reg description	Regd no	F20
	11345	11345-LFB5-900	DUCT.L COVER	DUCT.L COVER	1	
	11346	11346-GFY6-901	BAND L COVER DUCT	BAND L COVER DUCT	1	
	50100	50100-LGH6-E00	BODY COMP..FRAME	BODY COMP..FRAME	1	
	50100	50100-LGH6-E01	BODY COMP.. FRAME	BODY COMP.. FRAME	1	
	50301	50301-KGN7-671	RACE UP STRG BALL	RACE UP STRG BALL	1	
	50302	50302-2H68-011	RACE (STRG BOT) BALL	RACE (STRG BOT) BALL	1	
	50320	50320-LFB5-900	STAY RR FENDER	STAY RR FENDER	1	
	50330	50330-ALK5-900	SPONGE, BATTERY	SPONGE, BATTERY	1	
	50350	50350-LFB5-900	HANGER ASSY .ENG.	HANGER ASSY .ENG.	1	
	50352	50352-GFY6-901	RUBBER STOPPER	RUBBER STOPPER	2	
	50353	50353-LEB1-900	BUSH SWING LOCK	BUSH SWING LOCK	2	
	50505	50505-KEBE-900	STOPPER RUBBER	STOPPER RUBBER	1	
	50613	50613-LFB5-900	COVER. UNDER	COVER. UNDER	1	
**	50613	50613-LFB5-900	COVER. UNDER	COVER. UNDER	1	
	64315	64315-LFB6-900	STAY COMP..FR. COVER	STAY COMP..FR. COVER	1	
	83503	83503-KHD6-900	COVER PROTECTOR SEAT WIRE	COVER PROTECTOR SEAT WIRE	1	
	90106	90106-GFY6-901	BOLT FLANGE 10*55	BOLT FLANGE 10*55	2	
	90107	90107-KUDU-900	BOLT FLANGE 10*188	BOLT FLANGE 10*188	1	
	90121	90121-GFY6-901	COLLAR DISTANCE	COLLAR DISTANCE	1	
	90304	90304-GHE8-004	NUT U 10MM	NUT U 10MM	1	

F20

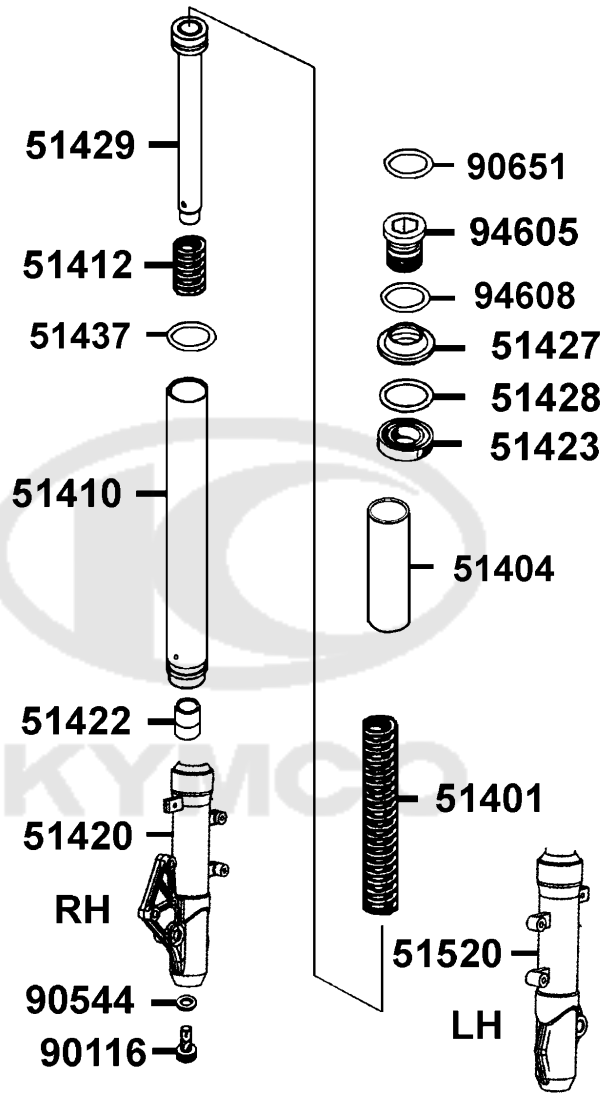
Frame Body



Sales mark	Ref no	Part no	Description	Reg description	Regd no	<b>F20</b>
93404		93404-06016-06	BOLT WASHER 6*16	BOLT WASHER 6*16	4	
94050		94050-06080	NUT FLANGE 6MM	NUT FLANGE 6MM	4	
95003		95003-LEB1-900	TUBE CLAMP	TUBE CLAMP	1	
95701		95701-06010-08	BOLT FLANGE 6*10	BOLT FLANGE 6*10	1	
95801		95801-06050-08	BOLT FLANGE 6*50	BOLT FLANGE 6*50	2	
						

F21

Separated Parts Of Fr Fork



Sales mark	Ref no	Part no	Description	Reg description	Regd no	F21
	51401	51401-LFB5-900	SPRING FR CUSHION	SPRING FR CUSHION	1	
	51404	51404-LFB6-E00	SPRING COLLAR	SPRING COLLAR	1	
	51410	51410-LFB5-900	FORK PIPE COMP	FORK PIPE COMP	1	
	51412	51412-KHD8-900	REBOUND SPRING	REBOUND SPRING	1	
**	51420	51420-LFB5-900	BOTTOM CASE R	BOTTOM CASE R	1	
	51422	51422-LFB5-900	OIL LOCK PIECE	OIL LOCK PIECE	1	
	51423	51423-KKAK-900	OIL SEAL	OIL SEAL	1	
	51427	51427-KKAK-900	DUST SEAL	DUST SEAL	1	
	51428	51428-KKAK-900	RING OIL SEAL STOPPER	RING OIL SEAL STOPPER	1	
	51429	51429-LFB5-900	PIPE SEAT COMP	PIPE SEAT COMP	1	
	51437	51437-LFB6-E00	PISTON RING	PISTON RING	1	
**	51520	51520-LFB5-900	BOTTOM CASE L	BOTTOM CASE L	1	
	90116	90116-KHD8-900	PACKING	PACKING	1	
	90544	90544-KEC8-900	PACKING	PACKING	1	
	90651	90651-LFB6-E00	STOPPER RING	STOPPER RING	1	
	94605	94605-LFB5-900	FORK BOLT CAP	FORK BOLT CAP	1	
	94608	94608-LFB6-E00	O-RING	O-RING	1	

<ul style="list-style-type: none"> <li>● Be sure to wear a safety helmet when riding.</li> <li>● Do not exceed the speed specified by law when riding.</li> <li>● The exhaust muffler temperature is very high after riding. Be sure to park the motorcycle in a place not easily touched by people.</li> <li>● For riding safety and good performance, do not violate the law to modify the motorcycle.</li> </ul>	<ul style="list-style-type: none"> <li>● Make sure to perform the periodic maintenance and periodic inspection.</li> </ul>
<div style="border: 1px solid black; padding: 2px; width: fit-content; margin: 0 auto;">Pre-ride Inspection Items</div>	
Brake Performance, tires, engine oil level, lights, horn, and instrument panel	
KWANG YANG MOTOR CO., LTD.	

● Please read the User's Manual carefully to ensure riding safety.

87560

CAUTIONS

TIRE SIZE :FRONT 110/70-12	REAR 130/70-12
(ONE RIDER) :FRONT 1.75kg/cm <sup>2</sup>	REAR 1.75kg/cm <sup>2</sup>
(TWO RIDER) :FRONT 1.75kg/cm <sup>2</sup>	REAR 2.00kg/cm <sup>2</sup>

LOAD CAPACITY :SHIELD 1.5kg CLIP ASSY CENTER 3Kg  
(AS PER KYMCO STANDARD SPECIFICATION)  
(NOTE: THE TIRE PRESSURE MUST NOT OVER  
PASS 2.50kg/cm<sup>2</sup>)

CHECK THE MOTOR OIL LEVEL WITH THE DIPSTICK  
AFTER REFILLING MOTOR OIL.

87505-LFB6-E00

87505

CAUTIONS

Before starting the engine, the side stand shall be kicked up to secure safety.

87541

TRADE NAME: KYMCO VEHICLE CATEGORY: B	<ol style="list-style-type: none"> <li>1. KYMCO LGH6</li> <li>2. KYMCO LEB2-800</li> <li>3. KYMCO LGH6-9100</li> <li>4. KYMCO LEB1</li> <li>5. KYMCO LEB1-B</li> <li>6. KYMCO LEB1</li> <li>7. _____</li> <li>8. KYMCO LGH6III</li> <li>9. KYMCO LEB1 Ø115</li> <li>10. KYMCO LFB6 Ø142</li> <li>11. 3920A-LGH6</li> <li>12. _____</li> </ol>
--	---

87224-LGH6-E70

87224



87311

CAUTIONS

Never put any article between the rear side cover and the engine to avoid interference of riding.

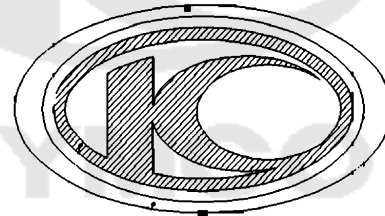
87542

Sales mark	Ref no	Part no	Description	Reg description	Regd no	<b>F22</b>
**	87224	87224-LGH6-EY0	CAUTION ANTI TAMPERING	CAUTION ANTI TAMPERING	1	
**	87311	87311-LCD3-E00	STRIPE MARK EURO 3	STRIPE MARK EURO 3	1	
**	87505	87505-LFB6-E00	LABEL TIRE	LABEL TIRE	1	
**	87541	87541-GAR1-E00	CAUTION SIDE STAND	CAUTION SIDE STAND	1	
**	87542	87542-GAR1-E00	MARK MAINT CAUTION	MARK MAINT CAUTION	1	
**	87560	87560-GFY6-E00	MARK DRIVE CAUTION	MARK DRIVE CAUTION	1	



*NOVIE 125i*

86202



86102



Sales mark	Ref no	Part no	Description	Reg description	Regd no	<b>F23</b>
------------	--------	---------	-------------	-----------------	---------	------------

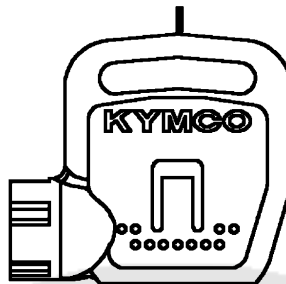
**	86102	86102-LEA5-E00	EMB K-LOGO 30MM	EMB K-LOGO 30MM	1	
**	86102	86102-LEA5-E00	EMB K-LOGO 30MM	EMB K-LOGO 30MM	1	
**	86202	86202-LGH6-E10	EMB BODY COVER	EMB BODY COVER	2	



35111-LDC1-305-M1



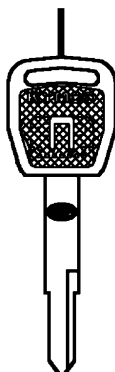
35111-LDC1-307-M1



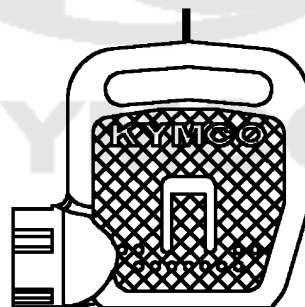
35111-LDC1-306-M2



35111-LDC1-305-M2



35111-LDC1-307-M2



35111-LDC1-306-M1



Sales mark	Ref no	Part no	Description	Reg description	Regd no	<b>F24</b>
	35111-LDC1-305-M1	35111-LDC1-305-M1	KEY COMP (R TANGENT PLANE/SD)	KEY COMP (R TANGENT PLANE/SD)	1	
	35111-LDC1-305-M2	35111-LDC1-305-M2	KEY COMP (R TANGENT PLANE/TJ)	KEY COMP (R TANGENT PLANE/TJ)	1	
	35111-LDC1-306-M1	35111-LDC1-306-M1	KEY COMP (L TANGENT PLANE/SD)	KEY COMP (L TANGENT PLANE/SD)	1	
	35111-LDC1-306-M2	35111-LDC1-306-M2	KEY COMP (L TANGENT PLANE/TJ)	KEY COMP (L TANGENT PLANE/TJ)	1	
	35111-LDC1-307-M1	35111-LDC1-307-M1	KEY COMP SHUTTER MAGNETIC (SD)	KEY COMP SHUTTER MAGNETIC (SD)	1	
	35111-LDC1-307-M2	35111-LDC1-307-M2	KEY COMP SHUTTER MAGNETIC (TJ)	KEY COMP SHUTTER MAGNETIC (TJ)	1	



## PART NO. INDEX

PART NO.	VERSION	PAGE	PART NO.	VERSION	PAGE	PART NO.	VERSION	PAGE
<b>11000</b>			11394-LEB1-900	5	E04	<b>14000</b>		
			11395-LFB5-900	4	E01			
11100-LEB1-306	1	E01	<b>12000</b>			14100-LEB1-920	2	E02
11102-1G87-004	3	E01				14110-LEB1-900	3	E02
11192-LEB1-900	6	E01	12100-LEB1-900	6	E03	14321-LEB1-900	3	E02
11200-LFB5-307	1	E01	12191-LEB1-900	2	E03	14401-KUDU-900	0	E03
11203-GFY6-901	0	F14	12200-LEB2-E00	2	E02	14420-LEB1-900	4	E02
11203-GGC7-301	2	E01	12200-LEB2-E01	2	E02	14430-LEB1-900	4	E02
11203-GGC7-301	2	F16	12209-GDB4-68A	0	E02	14433-LEB1-900	1	E02
11206-LFB5-900	2	E07	12209-KHD6-900	0	E02	14434-LEB1-900	1	E02
11207-LFB5-900	2	E04	12216-LEB1-900	2	E02	14452-LEB1-900	4	E02
11211-LFB5-900	2	F13	12217-LEB1-900	1	E02	14452-LFA7-E00	3	E02
1122A-LFB5-900	3	E01	12251-LEB1-900	7	E02	14453-LEB1-910	1	E02
11330-LEB1-900	9	E04	12310-LKE6-900	1	E02	14453-LKE6-900	2	E02
11340-LFB5-800	1	E01	12361-GFY6-901	1	E04	14510-LEB1-900	2	E03
11340-LFB5-900	7	E01	12391-LEB1-900	4	E02	14520-LFA7-E00	1	E03
11340-LFB5-910	1	E01	<b>13000</b>			14523-KED9-900	1	E03
11342-LFB5-800	1	E01				14531-GLR0-001	1	E03
11342-LFB5-900	4	E01	13000-LGH5-900	9	E03	14610-LEB1-900	1	E03
11344-LGH6-900	2	E01	13011-LEB1-90A	2	E03	14711-LEB1-900	4	E02
11345-LFB5-900	2	F20	13011-LEB1-90B	0	E03	14721-LEB1-900	4	E02
11346-GFY6-901	0	F20	13101-LEB1-90A	5	E03	14751-KHD6-900	1	E02
11350-LKG2-900	2	E01	13111-3D84-001	4	E03	14771-KHD6-900	0	E02
11353-LEA6-900	1	E01				14781-MFA6-001	0	E02
11383-LFB5-900	1	E01						

## PART NO. INDEX

PART NO.	VERSION	PAGE	PART NO.	VERSION	PAGE	PART NO.	VERSION	PAGE
<b>15000</b>			16154-KKE3-900	4	E05	17550-LGH6-900	6	F10
15100-KFB7-900	0	E07	16170-KEC3-900	0	E05	17561-LGK8-900	1	F10
15133-GFY6-901	0	E07	16191-KEC3-900	0	E05	1756A-LGH6-900	1	F10
15141-GFY6-90B	0	E07	16195-KEC3-900	0	E05	17620-LLJ3-E0A	3	F10
15141-GFY6-90C	1	E07	16201-LEB1-900	3	E02	17620-LLJ3-E0B	3	F10
15421-1G07-001	1	E04	16211-LEB1-900	4	E02	17623-KKE5-E0A	0	F10
15426-GAE1-921	0	E04	<b>17000</b>			17623-KKE5-E0B	0	F10
1565A-KUDU-900	0	E04	1711A-LGH6-910	2	E02	17689-LFB5-900	1	F10
15711-GFY6-901	0	E07	17211-LFB5-900	1	F13	17910-LGH6-900	0	F03
<b>16000</b>			17214-LDA6-900	1	F13	<b>18000</b>		
16056-LEB2-900	3	E05	1723A-LGH6-E00	2	F13	18291-KEBE-900	0	F14
16068-LEB2-900	3	E05	1723B-LGH6-900	2	F13	18291-KKC4-900	1	E01
16074-KEC3-900	4	E05	17254-KACA-P00	0	F13	18291-LEA5-E00	1	F14
16100-LGH6-E00	4	E05	17359-4K19-671	0	F13	18292-KEBE-900	0	F14
16110-KKE3-900	2	E05	17369-KHC4-900	0	F10	18293-KEBE-900	0	F14
16112-KKE3-900	1	E05	17371-1D74-671	0	F13	18293-KKC4-900	0	E01
16112-LEB2-900	1	E05	17500-LGH6-900	4	F10	18294-KEBE-900	0	F14
16118-KEC3-900	0	E05	17502-LEB1-900	2	F10	1830A-LGH6-E00	2	F14
16122-KEC3-900	0	E05	17504-LAB4-900	2	F10	18318-LFB5-E0A	0	F14
16133-KEC3-900	1	E05	17507-LAB4-900	2	F10	18325-LFB6-E00	1	F14
16134-KKE3-900	5	E05	17513-LAD9-900	1	F10	<b>19000</b>		
16138-KGC5-900	1	E05	17515-LAD9-900	1	F10	19411-KBCB-900	0	F10
			17520-LEB1-900	0	F10			
			17527-LBA2-900	0	F19			

## PART NO. INDEX

PART NO.	VERSION	PAGE	PART NO.	VERSION	PAGE	PART NO.	VERSION	PAGE
19510-LEB1-900	5	E08	22121-GFY6-90A	0	E06	23238-LKE7-900	1	E06
19613-GFY6-901	0	E08	22130-LEB1-800	6	E06	23411-LFB5-900	2	E09
1961A-LGH6-E00	1	E08	22300-LGH6-900	3	E06	23420-LGH5-900	2	E09
19625-LEB1-900	2	E08	22300-LHJ3-900	1	E06	23431-LFB5-900	6	E09
19626-LEB1-900	1	E08	22350-KGN7-671	1	E06	23431-LFB5-910	0	E09
1962A-LEB2-900	4	E08	22350-LHJ3-900	1	E06	23432-LGH5-900	3	E09
1962A-LKE6-900	2	E08	22361-KGN7-671	1	E06	23432-LGH5-910	0	E09
19633-GFY6-901	0	E08	22361-LHJ3-900	1	E06			
19635-LEB1-900	2	E08	22401-LCD4-E00	1	E06	<b>28000</b>		
19636-LEB1-900	1	E08	22401-LHJ3-900	1	E06			
1963A-LGH6-900	4	E08	22530-LHJ3-900	2	E06	28101-GFY6-200	2	E07
<b>21000</b>			22530-LKE7-900	1	E06	28102-GFY6-901	0	E07
			22804-GBB2-001	0	E06	28110-LEB1-900	3	E07
			<b>23000</b>			28120-GFY6-315	6	E07
21301-LFB5-305	1	E09				28125-4F26-001	0	E07
21395-LFB5-900	5	E09				28125-GFY6-960	3	E07
<b>22000</b>			2301A-LGH6-900	5	E06	28126-KUDU-900	1	E07
			2301A-LKE6-910	1	E06	28211-KFC8-900	0	E06
			23100-LGH5-90A	0	E06			
22101-GFY6-941	3	E06	23200-LFE2-900	1	E06	<b>30000</b>		
22101-KEBE-900	1	E06	23220-GFY6-921	1	E06			
22102-LEB1-900	2	E06	23225-GHC8-004	0	E06	3051A-LEB2-910	4	F19
22105-LEB2-900	1	E06	23226-GHC8-004	0	E06	30700-LEB2-910	1	F19
22110-LEB1-800	8	E06	23233-LFB6-910	1	E06			
22111-LEB1-800	6	E06	23237-GFY6-941	0	E06			
22112-GFY6-90A	0	E06	23238-LEB1-910	0	E06			

## PART NO. INDEX

PART NO.	VERSION	PAGE	PART NO.	VERSION	PAGE	PART NO.	VERSION	PAGE
<b>31000</b>			32961-LEB1-900	2	E04	<b>34000</b>		
31110-LGH6-90A	1	E08	<b>33000</b>			34901-KFA6-900	0	F01
31110-LGH6-90B	3	E08	33107-KKC4-E00	0	F01	34903-KPCP-900	0	F01
31120-LGH6-90A	4	E08	33120-LFB5-900	0	F01	34903-KPCP-900	0	F18
31120-LGH6-90B	1	E08	33130-LFB5-900	0	F01	34905-KHC4-900	0	F18
31210-LFB5-90A	2	E07	33400-LFB5-900	2	F17	34905-LBA7-E00	0	F17
31210-LFB5-90B	1	E07	33401-LFB5-900	0	F17			
31210-LFB5-90C	2	E07	33406-LFB5-900	0	F17	<b>35000</b>		
31500-KFAF-90A	8	F11	33450-LFB5-900	2	F17	35101-LGH6-325-M1	0	F19
31500-KFAF-90B	8	F11	33451-LFB5-900	0	F17	35101-LGH6-325-M2	0	F19
31600-KED9-900	4	F19	33456-LFB5-900	0	F17	35102-LDC1-305-M1	0	F19
<b>32000</b>			33700-LGH5-900	1	F18	35102-LDC1-305-M2	0	F19
32100-LGH6-900	8	F19	33701-LGH5-900	0	F18	35102-LEB1-90A	0	F19
32101-GFY6-901	1	F04	33706-KHB4-E01	0	F18	35102-LEB1-90B	0	F19
32106-KKE3-900	3	E07	33709-KBAB-003	0	F18	35104-LEB1-90A	0	F19
32120-3C83-831	0	F19	33709-LFB5-900	0	F18	35104-LEB1-90B	0	F19
32120-KFAF-900	0	F19	33717-LFB5-900	0	F18	35109-LBC6-90A	1	F19
32161-LBA7-900	0	F18	33720-KHB4-E00	4	F18	35109-LBC6-90B	1	F19
32410-LEB1-900	3	E07	33722-KHB4-E00	0	F18	35111-LDC1-305-M1	0	F24
32411-LEB1-900	4	F19	33725-KHB4-E00	0	F18	35111-LDC1-305-M2	0	F24
32412-LEB1-900	4	E04	33726-KHB4-E00	0	F18	35111-LDC1-306-M1	0	F24
32412-LGH6-910	1	E04	33741-GFY6-C30	1	F05	35111-LDC1-306-M2	0	F24
			33741-KEC8-900	0	F18	35111-LDC1-307-M1	0	F24

## PART NO. INDEX

PART NO.	VERSION	PAGE	PART NO.	VERSION	PAGE	PART NO.	VERSION	PAGE
35111-LDC1-307-M2	0	F24	37801-LHJ3-900	0	F10	40511-LFB5-900	0	F01
35119-KHC4-90A	0	F19	3780A-LFB5-910	1	F10			
35119-KHC4-90B	0	F19				<b>42000</b>		
35130-KXCX-M00	0	F03	<b>38000</b>					
35150-GFY6-900	4	F03				42311-LFB5-900	0	F08
35160-GFY6-900	3	F03	38110-LEA5-E00	1	F19	42312-KHB4-900	0	F08
35170-KNBN-910	1	F03	38300-LEA5-E0A	1	F19	42601-LFE2-900	4	F08
35180-GFY6-900	2	F03	38500-LFB6-90A	1	F19	42710-LFB6-E0A	1	F08
35200-GFY6-910	1	F03	38500-LFB6-90B	1	F19	42753-0D04-900	1	F07
35340-KFLF-900	2	F03	38500-LGL3-90A	2	F19	42753-0D04-900	1	F08
35340-KNBN-901	0	F04	38500-LGL3-90D	2	F19			
35380-LDF2-900	2	F19				<b>43000</b>		
35850-KHD8-900	1	F19	<b>39000</b>					
35850-KHD8-90A	0	F19				43105-LFB5-305	0	F07
			39300-LEB2-800	1	E02	4312A-LFB5-800	4	F08
<b>37000</b>			39301-LEB2-900	3	E02	4314A-LFB5-800	0	F08
			39302-KKE3-900	2	E02	4314A-LFB6-900	1	F08
37200-LGH6-E0A	2	F02	39303-LEB2-900	2	E02	43151-LEB1-900	2	F08
37200-LGH6-E0B	2	F02	39306-LEB2-305	0	E02	43156-LFB5-900	1	F04
37215-LEA2-900	0	F05	39307-LEB2-305	0	E02	43352-KKD6-E90	1	F07
37215-LGM9-900	0	F05	39400-KKE3-800	2	E02	43353-4A61-77A	0	F07
37225-LFB5-90A	0	F02	39450-LEA6-800	3	F14	43413-LBE1-900	1	F08
37225-LFB5-90B	0	F02				43416-LEB1-900	1	F08
37230-LFB5-90A	0	F02	<b>40000</b>			4341A-LFB5-800	3	F08
37230-LFB5-90B	0	F02				4341A-LFB6-900	2	F08
37801-LAB4-910	1	F10	40511-LEC8-E00	1	F05	43450-LFB5-800	3	F03



## PART NO. INDEX

PART NO.	VERSION	PAGE	PART NO.	VERSION	PAGE	PART NO.	VERSION	PAGE
			45517-KFAF-900	0	F04	50353-LEB1-900	1	F20
			45517-LFB5-800	1	F03	50500-LFB5-900	9	F15
			45520-GLW0-91A	0	F04	50502-GFY6-901	3	F15
44301-LFE2-900	1	F07	45521-GLW0-91A	0	F04	50505-KEBE-900	0	F20
44311-KEBE-900	0	F07	45530-LFB5-305	0	F04	50505-LAD9-900	3	F15
44620-KHD8-900	1	F07	45531-GAR1-951	0	F07	50530-LGH6-E00	2	F15
44650-LFE2-305	0	F07				50531-KEB7-E00	1	F15
44650-LFE2-305	4	F07	<b>46000</b>			50532-KGBG-E00	1	F15
44710-LFB6-E0A	1	F07				50613-LFB5-900	4	F20
44800-KFA5-900	2	F07	46513-LEB1-900	1	F08			
44830-KXCX-901	5	F02				<b>51000</b>		
			<b>50000</b>			51401-LFB5-900	0	F21
			50100-LGH6-E00	6	F20	51404-LFB6-E00	0	F21
45107-LFB5-900	0	F07	50100-LGH6-E01	1	F20	5140A-LFB5-900	7	F06
45109-GBE2-007	0	F07	50179-LEB2-900	3	F10	51410-LFB5-900	0	F21
45126-LFB5-900	5	F04	50301-KGN7-671	2	F20	51412-KHD8-900	0	F21
45128-LFB5-900	1	F06	50302-2H68-011	2	F20	51420-LFB5-900	0	F21
45131-LDH1-E00	0	F07	50306-1F96-001	0	F06	51422-LFB5-900	0	F21
45132-LDH1-E00	0	F07	50320-LFB5-900	1	F20	51423-KKAK-900	0	F21
45156-KEC6-900	2	F06	50328-LBB8-900	2	F11	51427-KKAK-900	0	F21
45200-LFB5-900	4	F07	50329-LEB1-900	4	F11	51428-KKAK-900	0	F21
45209-GBE2-007	0	F07	5032A-LGH6-E00	2	F11	51429-LFB5-900	0	F21
45210-LFB5-305	0	F07	50330-ALK5-900	2	F20	51430-LDH1-E00	0	F07
45351-LEA5-E00	2	F07	50350-LFB5-900	8	F20	51437-LFB6-E00	0	F21
45513-GLW0-91A	0	F04	50352-GFY6-901	0	F20	5150A-LFB5-900	6	F06

## PART NO. INDEX

PART NO.	VERSION	PAGE	PART NO.	VERSION	PAGE	PART NO.	VERSION	PAGE	
51520-LFB5-900	0	F21	53208-LFB5-900	1	F03	64316-KHE2-900	1	F05	
<b>52000</b>			53211-GFY6-940	1	F06	64400-LFB5-900	5	F05	
			53212-2L50-011	1	F06	<b>70000</b>			
			53214-2L50-001	0	F06				
			53215-2L50-001	0	F06				
52000-LFB5-900	4	F16							
52400-LFB5-900	5	F16	<b>61000</b>			70529-6G57-671	0	E01	
52500-LFB5-900	4	F16				70529-6G57-671	0	E08	
<b>53000</b>				61100-LFB5-900	4	F05	<b>77000</b>		
				61101-LFB5-900	0	F05			
			61102-LFB5-900	0	F05				
53100-LFB5-900	4	F03	61103-LFB5-900	5	F05	77200-LGH6-E00	3	F09	
53125-GEN5-901	0	F03	6110B-LFB5-900	7	F05	77206-KEB7-900	0	F09	
53140-LEA1-900	5	F03	<b>64000</b>			77235-LKG2-900	0	F12	
53150-LEA1-900	3	F03				77235-LKG2-90A	1	F12	
53167-KFA1-900	0	F03				77240-LFB5-900	0	F19	
53168-KFA1-900	1	F03				77300-LBE3-900	1	F09	
53172-KTCT-900	0	F03	64302-LFB5-900	5	F05	77303-KKC4-800	1	F09	
53172-LGH6-900	1	F03	64303-LFB5-900	0	F05	<b>80000</b>			
53175-KFA5-E10	0	F04	64304-LFB5-900	0	F05				
53178-LCD1-E00	1	F03	64305-LFB5-900	3	F05				
53178-LGH6-900	1	F03	64306-LFB5-900	3	F05		80100-LFB5-910	3	F18
5317B-LFB5-900	3	F03	64307-LFB5-900	1	F05	80102-LFB5-900	2	F18	
5317B-LGH6-900	2	F03	6430A-LGH6-E00	1	F05	80103-LFB5-900	0	F18	
53200-LFB5-900	3	F06	64310-LFB5-900	2	F05	80105-LFB5-900	6	F18	
53205-LFB5-900	4	F03	64315-LFB6-900	4	F20	80107-LFB5-900	4	F18	
53206-LFB5-900	3	F03	64316-KHD6-900	0	F05	80151-LFB5-900	3	F12	

## PART NO. INDEX

PART NO.	VERSION	PAGE	PART NO.	VERSION	PAGE	PART NO.	VERSION	PAGE
<b>81000</b>			<b>86000</b>			<b>90000</b>		
81131-LFB5-900	0	F05	86102-LEA5-E00	1	F23	90001-GBHB-661	2	E03
81131-LFB5-910	1	F05	86202-LGH6-E10	1	F23	90001-GFY6-901	4	E02
81132-LFB5-900	0	F05				90005-KAW1-901	1	E03
81134-LGH6-B20	1	F05	<b>87000</b>			9000A-KKJ9-001	0	E01
81141-LFB5-900	2	F05				9000A-KTDT-900	1	E01
81142-KUDU-900	1	F05	87224-LGH6-EY0	0	F22	9000B-KHD6-900	2	E02
81142-LFB6-800	2	F05	87311-LCD3-E00	1	F22	90012-3C33-001	1	E02
81153-LFB6-900	1	F05	87502-LEB2-900	1	F11	90031-KHD6-900	2	E01
81200-LFB5-900	3	F12	87505-LFB6-E00	1	F22	90032-KHD6-900	2	E01
81255-LGL9-900	2	F12	87541-GAR1-E00	1	F22	90033-GFY6-900	0	E02
81260-LEB2-900	3	F12	87541-KUDU-900	2	E08	90105-KCR3-001	1	F07
			87542-GAR1-E00	2	F22	90106-GEN5-901	0	F03
<b>83000</b>			87560-GFY6-E00	3	F22	90106-GFY6-901	0	F20
83500-LFB5-900	3	F12	<b>88000</b>			90106-KFAF-900	2	F12
83503-KHD6-900	2	F20				90107-KUDU-900	3	F20
83520-LFB5-900	4	F12	88110-LFB5-900	4	F03	90108-KUDU-900	1	F15
83600-LFB5-900	3	F12	88120-LFB5-900	4	F03	90111-LEB1-900	1	F12
83620-LFB5-900	4	F12				90111-LEB1-900	1	F18
8376A-KECE-901	2	F12	<b>89000</b>			90114-1F66-007	2	F04
						90114-GDM4-011	2	F13
			89010-LEB1-900	4	F09	90115-GLE0-001	0	F03
						90116-KED9-900	2	F05
						90116-KHD8-900	0	F21

## PART NO. INDEX

PART NO.	VERSION	PAGE	PART NO.	VERSION	PAGE	PART NO.	VERSION	PAGE	
90121-GFY6-901	1	F20	90381-GEZ5-001	1	F12	<b>91000</b>			
90131-LEB1-900	1	F07	90403-GFY6-901	0	E07				
90131-LFB5-900	1	F16	90426-KNBN-901	0	E06				
90145-MKS9-61A	1	F04	90440-1F66-001	0	E08		91002-GGA7-70A	0	E06
90164-MDR4-901	1	F05	90474-3C33-001	1	E01		91004-KHE7-900	1	E06
90201-GFY6-901	0	E07	9052A-LEB1-900	1	E01		91009-GLE0-004	1	E01
90202-1G87-001	0	E06	90544-KEC8-900	0	F21		91014-LLJ3-E00	1	F06
90206-0A01-001	2	E02	90545-3L00-001	2	F04		91015-LLJ3-E00	1	F06
90215-GLM0-910	1	F18	90601-GFY6-901	0	E06		91051-KFBF-901	1	F16
90301-GFY6-901	2	F14	90605-1F66-721	0	E06		91101-1K79-711	1	E07
90302-GBR2-001	1	F10	90651-LFB5-900	0	F13		91104-GFY6-90C-B	0	E07
90302-GFY6-901	1	F12	90651-LFB6-E00	0	F21		91104-GFY6-90C-R	0	E07
90302-GFY6-940	1	F10	90652-LCA4-E00	1	F05		91201-LFB5-900	2	E01
90302-GFY6-940	1	F11	90652-LFB5-900	2	F05		91202-GFY6-90B	1	E04
90302-KEC8-900	1	F03	90652-LGJ9-900	2	E02		91202-LEB1-900	2	E01
90302-LLB1-E00	2	F10	90656-KCBC-900	0	F03		91202-LFE2-90A	3	E09
90302-LLB1-E00	2	F18	90656-KCBC-900	0	F19		91211-KEBE-900	0	E06
90302-SDA4-004	2	F03	90656-KUDU-900	0	F19		91255-GLE0-006	0	E01
90302-SDA4-004	2	F05	90677-GAR1-004	1	F11		91301-GLR0-005	1	E03
90302-SDA4-004	2	F12	90701-HFB6-011	1	E03		91301-LEB1-900	1	E02
90304-GHE8-004	0	F03	90754-GHC8-00A	1	F07	91302-0A01-021	0	E04	
90304-GHE8-004	0	F20	90754-GHC8-00B	1	F07	91306-1E05-691	0	E03	
90305-GHK8-001	1	E08	90912-KFLF-00A	0	F07	91307-0E35-001	0	E04	
90305-GHK8-001	1	F12				91351-6B42-000	0	E06	
90305-KFW6-900	1	F08				91352-KHG8-83B	0	F08	
90306-LFE2-900	1	F07				91508-KGV7-67A	0	F18	

## PART NO. INDEX

PART NO.	VERSION	PAGE	PART NO.	VERSION	PAGE	PART NO.	VERSION	PAGE
91981-KGN7-670	0	E07	93894-04022-08	1	F19	94050-06080	0	F05
			93903-25260	0	E01	94050-06080	0	F09
<b>92000</b>			93903-25460	0	F13	94050-06080	0	F10
			93903-34360	0	F03	94050-06080	0	F19
92101-05012-0H	0	E08	93903-34360	0	F05	94050-06080	0	F20
92101-06014-0H	1	E02	93903-34360	0	F11	94050-08080	0	E02
92900-06060-0B	0	E02	93903-34360	0	F12	94050-12080	0	E06
			93903-34360	0	F17	94050-12080	0	E08
<b>93000</b>			93903-34360	0	F18	94101-06700	0	F14
			93903-34460	0	F02	94101-08800	0	F10
93401-04025-08	0	F19	93903-34460	0	F05	94101-KKE3-900	1	E05
93404-06012-06	0	F18	93903-34760	0	F05	94111-06600	0	F14
93404-06016-06	0	F20	93903-35320	0	F02	94111-06800	0	E02
93404-06025-06	0	E01	93903-35320	0	F03	94111-06800	0	E05
93404-06030-06	0	F05	93903-35360	0	F01	94301-08140	0	E01
93500-03010-1A	0	E07	93903-35360	0	F10	94301-10160	0	E01
93500-04020-0G	0	F10	93903-GFY6-900	1	F05	94301-10160	0	E02
93500-05022-06	0	F03				94301-10160	0	E03
93500-KHC4-90A	0	F19	<b>94000</b>			94301-10160	0	E04
93600-04012-1G	0	F04				94303-04065	0	E07
93700-05018-0H	0	F02	94001-05080-0S	0	F03	94510-12000	0	F08
93891-05025-06	0	F03	94050-06060	0	F01	94510-20000	0	E09
93891-05040-06	0	F10	94050-06060	0	F04	94510-25000	0	E09
93892-04010-08	0	E05	94050-06080	0	E02	94520-28000	0	E06
93892-05010-08	0	E05	94050-06080	0	E05	94520-40000	0	F16
93893-04012-18	0	F04	94050-06080	0	E07	94591-21000	0	F05

## PART NO. INDEX

PART NO.	VERSION	PAGE	PART NO.	VERSION	PAGE	PART NO.	VERSION	PAGE
94591-27000	0	F05	95801-06050-08	0	F20	96001-06032-08	0	E01
94591-KFBF-900	2	E02	95801-08035-06	1	F16	96001-06032-08	0	E04
94601-15000	0	E03	95801-08040-08	0	F06	96001-06035-08	0	F13
94605-LFB5-900	1	F21	95801-08042-06	0	F14	96001-06050-08	0	E01
94608-LFB6-E00	0	F21	95801-10025-08	0	F15	96001-06100-08	0	E02
			95801-10040-08	0	F16	96001-06100-08	0	E04
<b>95000</b>			<b>96000</b>			96001-06110-08	0	E04
						96001-GFY6-900	1	E01
95002-02120	1	F13				96100-60020-00	0	E01
95002-02130	0	F10	96001-06008-07	0	F14	96100-62020-00	0	E09
95002-41050-00	0	F13	96001-06012-06	0	F04	96100-62030-00	0	E01
95002-50000	0	E01	96001-06012-06	0	F14	96100-63030-00	0	E09
95003-23024-60	0	F13	96001-06012-08	0	E04	96100-LFE2-900	1	E09
95003-LEB1-900	0	F20	96001-06012-08	0	E07	96220-60100	0	E07
95014-71402	0	F15	96001-06012-08	0	F12	96600-08010-10	1	E07
95015-LEB1-900	3	F03	96001-06014-08	0	E02			
95701-06010-08	1	F20	96001-06016-08	0	E08	<b>98000</b>		
95701-06012-06	1	F06	96001-06018-08	0	E07			
95701-06012-08	0	F19	96001-06018-08	0	E08	98059-58916-00	2	E02
95701-06018-07	1	F14	96001-06022-06	1	F04	98200-11000	0	F11
95701-06022-06	1	F11	96001-06022-08	0	E08	98200-11000	0	F19
95701-06022-06	1	F14	96001-06025-06	0	F03	98200-11500	0	F11
95701-06035-08	0	F08	96001-06025-08	0	E01	98200-11500	0	F19
95701-08012-08	0	E01	96001-06025-08	0	E08			
95701-08012-08	0	F19	96001-06028-08	0	E07			
95701-LEA5-E00	1	F19	96001-06028-08	0	E08			