

PARTS CATALOGUE



SCOOTERS

SK60BA(GR)

K-XCT 300i



Release Date : 2013/06/18
Print Date : 2013/07/23

ABOUT THIS PARTS LIST

- This parts list is compiled all service parts for model SK60BA(GR).
- Any difference between color chart and motorcycle will be revised according to motorcycle.
- The Mark:
 1. Marking "***" must add color code in the end before ordering parts.
 2. Marking "#" are parts with modification, Please find the details from e-Parts system.
- When modification or additions to this parts list are made a revised edition at an appropriate time.



CONTENTS

● ABOUT THIS PARTS LIST	1
● COLOR CHART OF SK60BA(GR)	3
● CONTENTS-ENGINE GROUP	13
● CONTENTS-FRAME GROUP	14
● ENGINE PARTS LIST	17
● FRAME PARTS LIST	47
● PART NO. INDEX	121

NO	MODEL			COLOR CHART OF SK60BA(GR)			
	PHOTO NO			NO. 1	NO. 2	NO. 3	NO. 4
	BASIC COLOR			Light Blue		Shine Blue Metallic	
	CODE			Light Blue		Shine Blue Metallic	
	PARTS NAME	PARTS NO.	VERSION	PB128FA	PB331MA	PB331MA	NH265FA
1	L COVER. COVER COMP	1134A-LEA7-E00	9	D1U			
2	L COVER COVER	1134B-LEA7-E00	0				
3	MUFFLER ASSY..	1830A-LKG7-E00	5				
4	PROTECTOR. MUFFLER	18318-LKG7-E00	4				
5	FENDER FR	61100-LKG7-E00	0	DHG	DH6	D2V	
6	MOLDING R/H A SIDE	64302-LKG7-E00	0	CFF			
7	MOLDING L/H A SIDE	64303-LKG7-E00	1				
8	SKIRT R/H SIDE	64305-LKG7-E00	0				
9	SKIRT L/H SIDE	64306-LKG7-E00	0				
10	COVER R., BODY	83500-LKG7-E00	3				
11	COVER L., BODY	83600-LKG7-E00	3				
12	COVER. RR. CENTER	83750-LKG7-E00	4				
13	MOLDING RR CENTER	83751-LKG7-E00	0				
14	LEVER R STRG HANDLE	53175-LKF5-E00	0	M3A			
15	LEVER L STRG HANDLE	53178-LKF5-E00	0				
16	FORK ASSY FR R	51400-LKG7-E00	1	N1A			
17	BOTTOM CASE R	51420-LEA7-E00	0				
18	FORK ASSY FR L	51500-LKG7-E00	0				
19	BOTTOM CASE L	51520-LEA7-E00	0				
20	FORK ASSY RR	52000-LKG7-E00	0				
21	FORK A RR CAST	52110-LKF5-E00	0				
22	TUNNEL LEG SHIELD	53204-LKG7-E00	0	N1P			
23	FR COVER	64301-LKG7-E00	1				
24	COVER R/H SIDE SKIRT	64335-LKG7-E00	1				
25	COVER L/H SIDE SKIRT	64345-LKG7-E00	1				
DATE OF STARTING-SALES							
DATE OF END-SALES							

NO	MODEL			COLOR CHART OF SK60BA(GR)			
	PHOTO NO			NO. 5	NO. 6	NO. 7	NO. 8
	BASIC COLOR			Mat White		Mat Black	Vivid Red
	CODE			Mat White		Mat Black	Vivid Red
	PARTS NAME	PARTS NO.	VERSION	NH265FA	NH294FA	NH294FA	RR134SA
1	L COVER. COVER COMP	1134A-LEA7-E00	9	D1U			
2	L COVER COVER	1134B-LEA7-E00	0				
3	MUFFLER ASSY..	1830A-LKG7-E00	5				
4	PROTECTOR. MUFFLER	18318-LKG7-E00	4				
5	FENDER FR	61100-LKG7-E00	0	D2V	D36		DDE
6	MOLDING R/H A SIDE	64302-LKG7-E00	0	J8F			
7	MOLDING L/H A SIDE	64303-LKG7-E00	1				
8	SKIRT R/H SIDE	64305-LKG7-E00	0				
9	SKIRT L/H SIDE	64306-LKG7-E00	0				
10	COVER R., BODY	83500-LKG7-E00	3				
11	COVER L., BODY	83600-LKG7-E00	3				
12	COVER. RR. CENTER	83750-LKG7-E00	4				
13	MOLDING RR CENTER	83751-LKG7-E00	0				
14	LEVER R STRG HANDLE	53175-LKF5-E00	0	M3A			
15	LEVER L STRG HANDLE	53178-LKF5-E00	0				
16	FORK ASSY FR R	51400-LKG7-E00	1	N1A			
17	BOTTOM CASE R	51420-LEA7-E00	0				
18	FORK ASSY FR L	51500-LKG7-E00	0				
19	BOTTOM CASE L	51520-LEA7-E00	0				
20	FORK ASSY RR	52000-LKG7-E00	0				
21	FORK A RR CAST	52110-LKF5-E00	0				
22	TUNNEL LEG SHIELD	53204-LKG7-E00	0	N1P			
23	FR COVER	64301-LKG7-E00	1				
24	COVER R/H SIDE SKIRT	64335-LKG7-E00	1				
25	COVER L/H SIDE SKIRT	64345-LKG7-E00	1				
DATE OF STARTING-SALES							
DATE OF END-SALES							

NO	MODEL			COLOR CHART OF SK60BA(GR)			
	PHOTO NO			NO. 1	NO. 2	NO. 3	NO. 4
	BASIC COLOR			Light Blue		Shine Blue Metallic	
	CODE			Light Blue		Shine Blue Metallic	
	PARTS NAME	PARTS NO.	VERSION	PB128FA	PB331MA	PB331MA	NH265FA
26	COVER CENTER	80151-LKG7-E00	0	N1P			
27	COVER CENTER UP	80152-LKG7-E00	0				
28	LID FUEL CAP MAINT	80153-LKG7-E00	1				
29	LEG SHIELD	81131-LKG7-E00	1				
30	OUTER LID FR INNER	81132-LKG7-E00	0				
31	COVER SIDE R/H	83510-LKG7-E00	0				
32	COVER SIDE L/H	83610-LKG7-E00	0				
33	MIRROR ASSY.R/H	88110-LEA7-E00	3				
34	MIRROR ASSY.L/H BACK	88120-LEA7-E00	3				
35	COVER RADIATOR	19025-LKG7-E00	0				
36	COVER BATTERY	50326-LKG7-E00	0				
37	CASE ASSY BATTERY	5032A-LKF5-E00	0				
38	COVER. UNDER	50613-LKG7-E00	0				
39	GRIP COMP THROT	53140-LEA7-E00	4				
40	GRIP COMP L HANDLE	53150-LEA6-900	4				
41	COVER METER FR	53202-LKG7-E00	0				
42	COVER METER FR	53203-LKG7-E00	0				
43	COVER HANDLE UP	53205-LEA7-E00	5				
44	COVER HANDLE LOW	53206-LEA7-E00	4				
45	COVER RADIATOR	53207-LKG7-E00	0				
46	COVER INNER FR	61110-LKG7-E00	0				
47	PLUG WIND SCREEN	64223-LEA7-E00	5				
48	PANEL FLOOR R/H	64310-LKG7-E00	1				
49	LID RESERVE TANK	64311-LKG7-E00	0				
50	GRILL R H FR COVER	64318-LKG7-E00	0				
DATE OF STARTING-SALES							
DATE OF END-SALES							

NO	MODEL			COLOR CHART OF SK60BA(GR)			
	PHOTO NO			NO. 5	NO. 6	NO. 7	NO. 8
	BASIC COLOR			Mat White		Mat Black	Vivid Red
	CODE			Mat White		Mat Black	Vivid Red
	PARTS NAME	PARTS NO.	VERSION	NH265FA	NH294FA	NH294FA	RR134SA
26	COVER CENTER	80151-LKG7-E00	0	N1P			
27	COVER CENTER UP	80152-LKG7-E00	0				
28	LID FUEL CAP MAINT	80153-LKG7-E00	1				
29	LEG SHIELD	81131-LKG7-E00	1				
30	OUTER LID FR INNER	81132-LKG7-E00	0				
31	COVER SIDE R/H	83510-LKG7-E00	0				
32	COVER SIDE L/H	83610-LKG7-E00	0				
33	MIRROR ASSY.R/H	88110-LEA7-E00	3				
34	MIRROR ASSY.L/H BACK	88120-LEA7-E00	3				
35	COVER RADIATOR	19025-LKG7-E00	0				
36	COVER BATTERY	50326-LKG7-E00	0				
37	CASE ASSY BATTERY	5032A-LKF5-E00	0				
38	COVER. UNDER	50613-LKG7-E00	0				
39	GRIP COMP THROT	53140-LEA7-E00	4				
40	GRIP COMP L HANDLE	53150-LEA6-900	4				
41	COVER METER FR	53202-LKG7-E00	0				
42	COVER METER FR	53203-LKG7-E00	0				
43	COVER HANDLE UP	53205-LEA7-E00	5				
44	COVER HANDLE LOW	53206-LEA7-E00	4				
45	COVER RADIATOR	53207-LKG7-E00	0				
46	COVER INNER FR	61110-LKG7-E00	0				
47	PLUG WIND SCREEN	64223-LEA7-E00	5				
48	PANEL FLOOR R/H	64310-LKG7-E00	1				
49	LID RESERVE TANK	64311-LKG7-E00	0				
50	GRILL R H FR COVER	64318-LKG7-E00	0				
DATE OF STARTING-SALES							
DATE OF END-SALES							

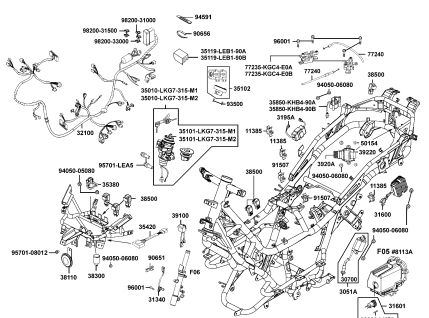
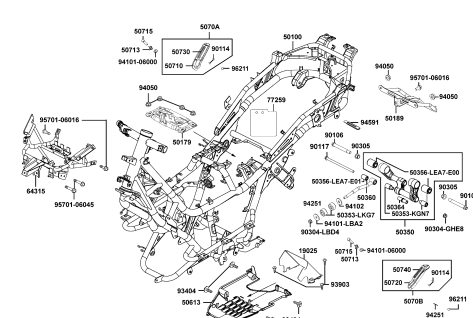
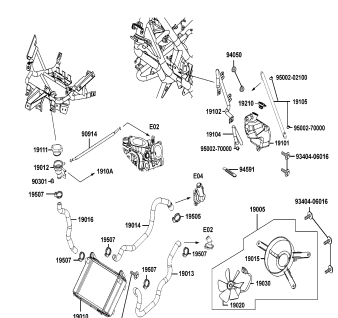
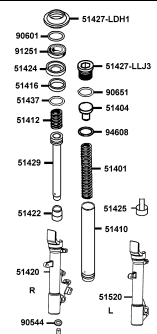


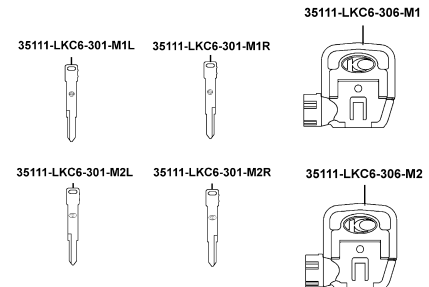
NO	MODEL			COLOR CHART OF SK60BA(GR)							
	PHOTO NO			NO. 1	NO. 2	NO. 3	NO. 4				
	BASIC COLOR			Light Blue		Shine Blue Metallic					
	CODE			Light Blue		Shine Blue Metallic					
	PARTS NAME	PARTS NO.	VERSION	PB128FA	PB331MA	PB331MA	NH265FA				
51	GRILL L H FR COVER	64319-LKG7-E00	0	N1R							
52	MAT FLOOR	64320-LKG7-E00	0								
53	PANEL FLOOR L/H	64330-LKG7-E00	0								
54	MAT L H FLOOR	64340-LKG7-E00	0								
55	COWL UNDER	64400-LKG7-E00	0								
56	FENDER RR TIRE	80100-LKG7-E00	0								
57	FENDER RR UP	80101-LKG7-E00	0								
58	FENDER RR	80105-LKG7-E00	0								
59	RR FENDER LOW	80106-LKF5-E00	0								
60	COVER LICENSE LIGHT	80107-LKF5-E00	0								
61	CASE FR INNER BOX	81133-LKG7-E00	0								
62	COVER INNER CAP BLID	81134-LKG7-E00	0								
63	RETAIN PLATE INNER	81135-LKG7-E00	0								
64	ASSY FR INNER BOX	8113A-LKG7-E00	1								
65	LEG SHIELD R/H LOW	81141-LKG7-E00	0								
66	LEG SHIELD L/H LOW	81142-LKG7-E00	0								
67	LUGGAGE BOX ASSY	81260-LKG7-E00	0								
68	BOARD A SIDE R/H	83530-LKG7-E00	0								
69	GRILL R SIDE	83535-LKG7-E00	0								
70	GRILL L SIDE	83536-LKG7-E00	0								
71	BOARD A SIDE L/H	83630-LKG7-E00	0								
72	CUSHION ASSY RR R/H	52400-LKG7-E80	1					N1S			
73	CUSHION ASSY RR L/H	52500-LKG7-E80	1								
74	COVER COMP RIGHT	11330-LEA7-E00	13					NEA			
75	COVER WATER PUMP	19221-LGE5-E00	1								
DATE OF STARTING-SALES											
DATE OF END-SALES											

NO	MODEL			COLOR CHART OF SK60BA(GR)			
	PHOTO NO			NO. 5	NO. 6	NO. 7	NO. 8
	BASIC COLOR			Mat White		Mat Black	Vivid Red
	CODE			Mat White		Mat Black	Vivid Red
	PARTS NAME	PARTS NO.	VERSION	NH265FA	NH294FA	NH294FA	RR134SA
51	GRILL L H FR COVER	64319-LKG7-E00	0	N1R			
52	MAT FLOOR	64320-LKG7-E00	0				
53	PANEL FLOOR L/H	64330-LKG7-E00	0				
54	MAT L H FLOOR	64340-LKG7-E00	0				
55	COWL UNDER	64400-LKG7-E00	0				
56	FENDER RR TIRE	80100-LKG7-E00	0				
57	FENDER RR UP	80101-LKG7-E00	0				
58	FENDER RR	80105-LKG7-E00	0				
59	RR FENDER LOW	80106-LKF5-E00	0				
60	COVER LICENSE LIGHT	80107-LKF5-E00	0				
61	CASE FR INNER BOX	81133-LKG7-E00	0				
62	COVER INNER CAP BLID	81134-LKG7-E00	0				
63	RETAIN PLATE INNER	81135-LKG7-E00	0				
64	ASSY FR INNER BOX	8113A-LKG7-E00	1				
65	LEG SHIELD R/H LOW	81141-LKG7-E00	0				
66	LEG SHIELD L/H LOW	81142-LKG7-E00	0				
67	LUGGAGE BOX ASSY	81260-LKG7-E00	0				
68	BOARD A SIDE R/H	83530-LKG7-E00	0				
69	GRILL R SIDE	83535-LKG7-E00	0				
70	GRILL L SIDE	83536-LKG7-E00	0				
71	BOARD A SIDE L/H	83630-LKG7-E00	0				
72	CUSHION ASSY RR R/H	52400-LKG7-E80	1	N1S			
73	CUSHION ASSY RR L/H	52500-LKG7-E80	1				
74	COVER COMP RIGHT	11330-LEA7-E00	13	NEA			
75	COVER WATER PUMP	19221-LGE5-E00	1				
DATE OF STARTING-SALES							
DATE OF END-SALES							

NO	MODEL			COLOR CHART OF SK60BA(GR)			
	PHOTO NO			NO. 1	NO. 2	NO. 3	NO. 4
	BASIC COLOR			Light Blue		Shine Blue Metallic	
	CODE			Light Blue		Shine Blue Metallic	
	PARTS NAME	PARTS NO.	VERSION	PB128FA	PB331MA	PB331MA	NH265FA
76	CAP AC GENERATOR	90084-KKF9-901	0	NEA			
77	TAIL CAP MUFFLER	18306-LKG7-E00	0	NEP			
78	TOP COVER FR	64304-LKG7-E00	0				
79	BACK SEAT ASSY.	77210-LKG7-E00	4	T01			
80	EMB BODY COVER	86202-LKG7-E10	0				
81	EMB MARK 300i	87140-LKG7-E10	0				
82	LABEL TIRE	87505-LKG7-E00	0				
83	LABEL CLEANNESS	87508-KKC4-E00	1				
84	CAUTION FILTER	87512-KEBE-E00	0				
85	CAUTION SIDE STAND	87541-GAR1-E00	1				
86	CAUTION MOBILE	87541-KKC2-E00	1				
87	MARK MAINT CAUTION	87542-GAR1-E00	2				
88	MARK DRIVE CAUTION	87560-GFY6-E00	3				
89	WIND SCREEW	64220-LKG7-E00	0				
90	WHEEL COMP RR	42601-LEA7-E00	7	X5A			
91	WHEEL ASSY FR	44600-LEA7-305	0				
92	CALIPER ASSY RR	43100-LKG7-E00	0	YYA			
93	BRACKET	43210-LKG7-E00	0				
94	CALIPER ASSY FR	45200-LKG7-E00	0				
95	BRACKET ASSY FR	45210-LKG7-305	0				
96	BAR ASSY R STEP	5070A-LKG7-E00	0	YYF			
97	BAR ASSY L RR STEP	5070B-LKG7-E00	0				
98	BAR R RR STEP	50710-LKG7-E00	0				
99	BAR L RR STEP	50720-LKG7-E00	0				
100	BOARDR H FR COVER	64308-LKG7-E00	0				
DATE OF STARTING-SALES							
DATE OF END-SALES							

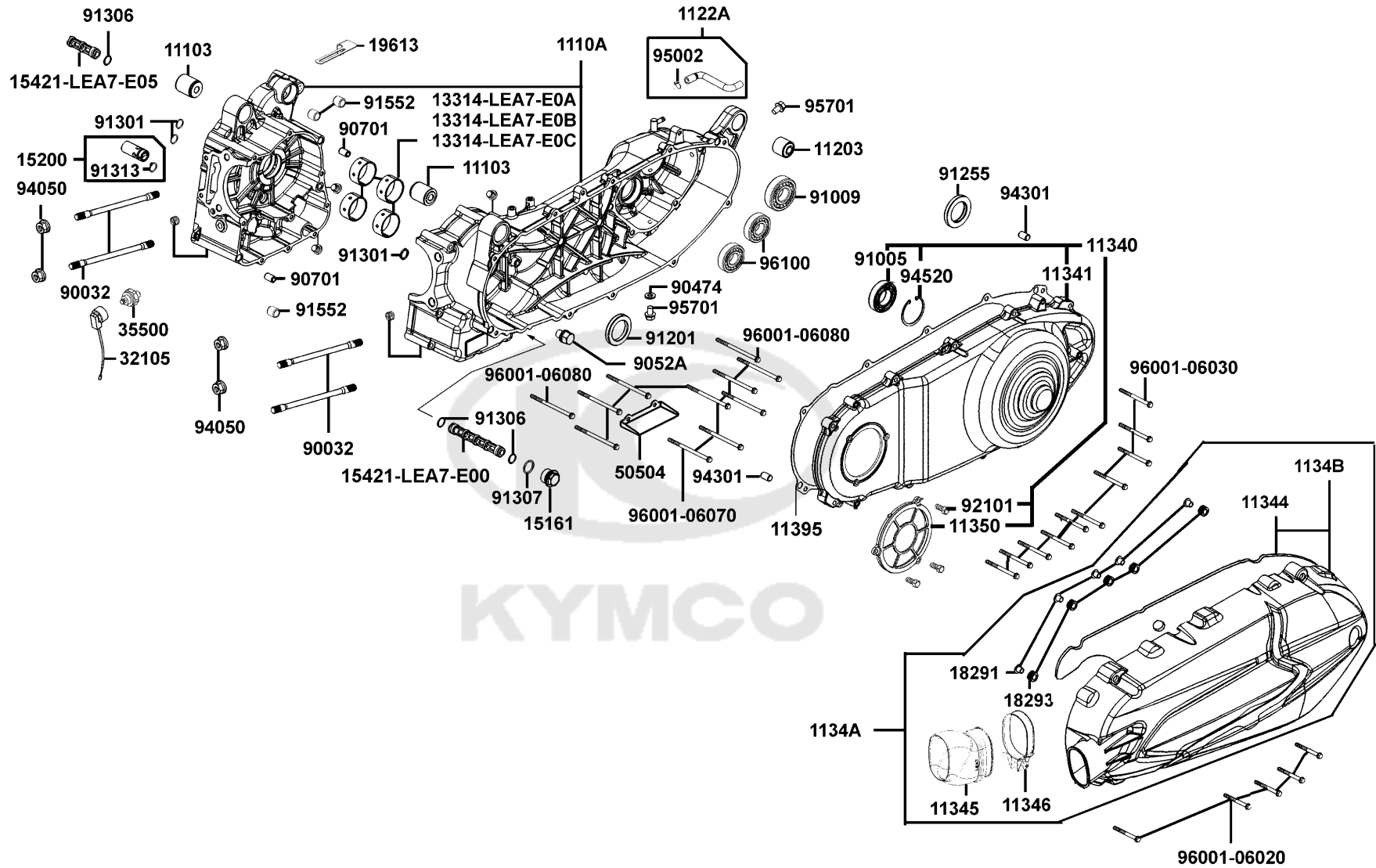
NO	MODEL			COLOR CHART OF SK60BA(GR)			
	PHOTO NO			NO. 5	NO. 6	NO. 7	NO. 8
	BASIC COLOR			Mat White		Mat Black	Vivid Red
	CODE			Mat White		Mat Black	Vivid Red
	PARTS NAME	PARTS NO.	VERSION	NH265FA	NH294FA	NH294FA	RR134SA
76	CAP AC GENERATOR	90084-KKF9-901	0	NEA			
77	TAIL CAP MUFFLER	18306-LKG7-E00	0	NEP			
78	TOP COVER FR	64304-LKG7-E00	0				
79	BACK SEAT ASSY.	77210-LKG7-E00	4	T01			
80	EMB BODY COVER	86202-LKG7-E10	0				
81	EMB MARK 300i	87140-LKG7-E10	0				
82	LABEL TIRE	87505-LKG7-E00	0				
83	LABEL CLEANNESS	87508-KKC4-E00	1				
84	CAUTION FILTER	87512-KEBE-E00	0				
85	CAUTION SIDE STAND	87541-GAR1-E00	1				
86	CAUTION MOBILE	87541-KKC2-E00	1				
87	MARK MAINT CAUTION	87542-GAR1-E00	2				
88	MARK DRIVE CAUTION	87560-GFY6-E00	3				
89	WIND SCREEW	64220-LKG7-E00	0	T02			
90	WHEEL COMP RR	42601-LEA7-E00	7	X5A			
91	WHEEL ASSY FR	44600-LEA7-305	0				
92	CALIPER ASSY RR	43100-LKG7-E00	0	YYA			
93	BRACKET	43210-LKG7-E00	0				
94	CALIPER ASSY FR	45200-LKG7-E00	0				
95	BRACKET ASSY FR	45210-LKG7-305	0				
96	BAR ASSY R STEP	5070A-LKG7-E00	0	YYF			
97	BAR ASSY L RR STEP	5070B-LKG7-E00	0				
98	BAR R RR STEP	50710-LKG7-E00	0				
99	BAR L RR STEP	50720-LKG7-E00	0				
100	BOARDR H FR COVER	64308-LKG7-E00	0				
DATE OF STARTING-SALES							
DATE OF END-SALES							

CONTENTS - FRAME GROUP

F19 Wire Harness	F20 Frame Body	F21 Radiator
		
F22 Separated Parts Of Fr Fork	F23 Caution Label	F24 EmblemStripe
		
F25 KEY		
		

E01

Crank Case

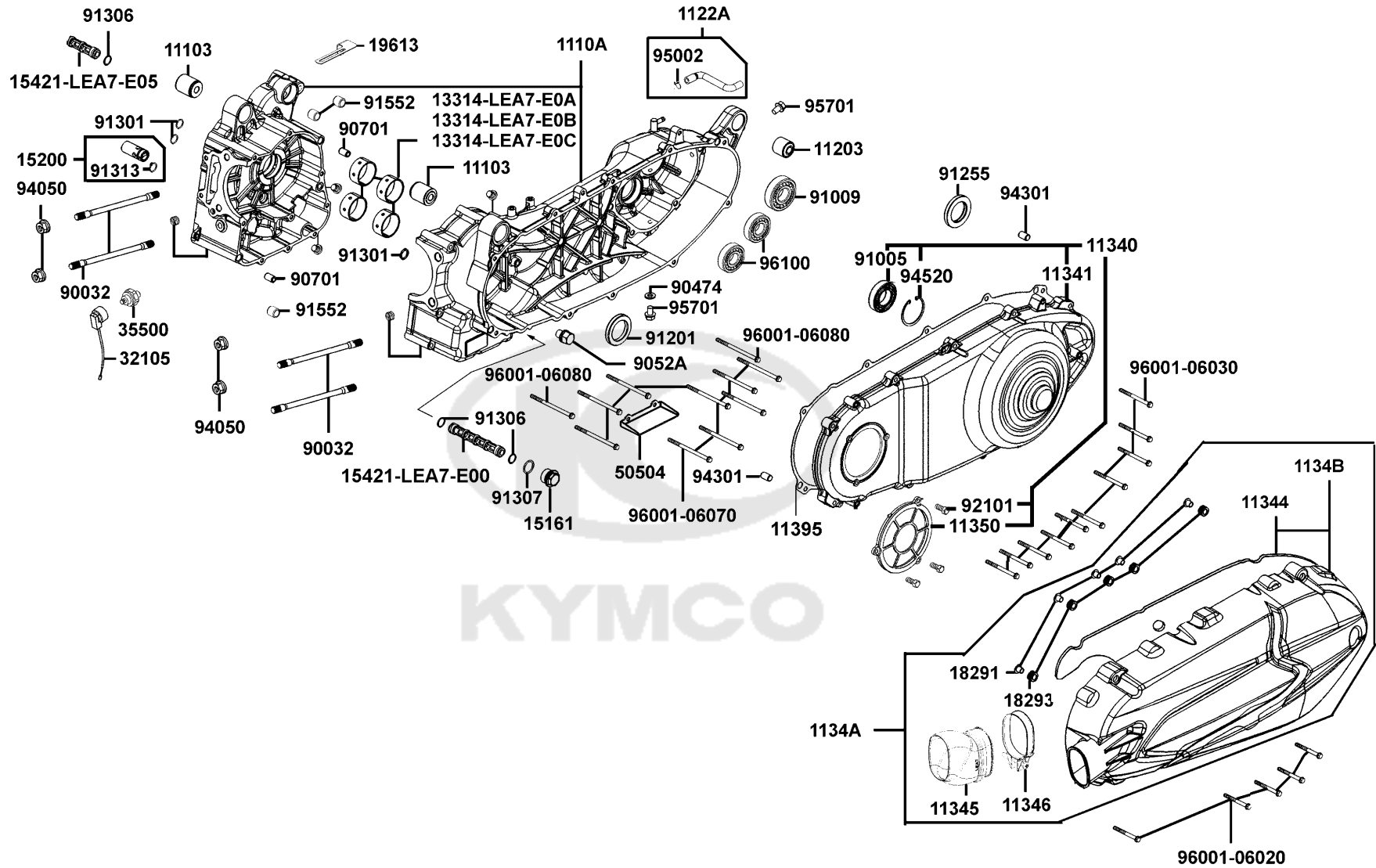


KYMCO

Sales mark	Ref no	Part no	Description	Reg description	Regd no	E01
	11103	11103-KHE7-900	RUB BUSH ENG HANGER	RUB BUSH ENG HANGER	2	
	1110A	1110A-LEA7-E05	CASE R/L ASSY CRANK	CASE R/L ASSY CRANK	1	
	11203	11203-LBA2-E00	RUB BUSH L CASE	RUB BUSH L CASE	1	
	1122A	1122A-LEA7-E00	TUBE ASSY BREATHER	TUBE ASSY BREATHER	1	
	11340	11340-LEA7-E01	COVER COMP.. L. CRANK CASE	COVER COMP.. L. CRANK CASE	1	
	11341	11341-LEA7-E01	COVER L CRANK CASE	COVER L CRANK CASE	1	
	11344	11344-LEA7-E00	FOAM TEXTURE	FOAM TEXTURE	1	
	11345	11345-LEA7-E00	DUCT L COVER	DUCT L COVER	1	
	11346	11346-GFY6-901	BAND L COVER DUCT	BAND L COVER DUCT	1	
**	1134A	1134A-LEA7-E00	L COVER. COVER COMP	L COVER. COVER COMP	1	
**	1134B	1134B-LEA7-E00	L COVER COVER	L COVER COVER	1	
	11350	11350-LEA7-E00	ELEMENT COMP..L COVER	ELEMENT COMP..L COVER	1	
	11395	11395-LEA7-E00	GASKET L COVER	GASKET L COVER	1	
	13314-LEA7-E0A	13314-LEA7-E0A	BEARING CRANK SHAFT A RED	BEARING CRANK SHAFT A RED (1.995~1.998)	1	
	13314-LEA7-E0B	13314-LEA7-E0B	BEARING CRANK SHAFT A GREEN	BEARING CRANK SHAFT A GREEN	1	
	13314-LEA7-E0C	13314-LEA7-E0C	BEARING CRANK SHAFT A BLACK	BEARING CRANK SHAFT A BLACK	1	
	15161	15161-PUA5-E00	PLUG SCREW SECTION FILTER	PLUG SCREW SECTION FILTER	1	
	15200	15200-KED9-900	OIL RELIEF VALVE ASSY	OIL RELIEF VALVE ASSY	1	
	15421-LEA7-E00	15421-LEA7-E00	SCREEN OIL FILTER	SCREEN OIL FILTER	1	
	15421-LEA7-E05	15421-LEA7-E05	SCREEN OIL FILTER	SCREEN OIL FILTER	1	

E01

Crank Case

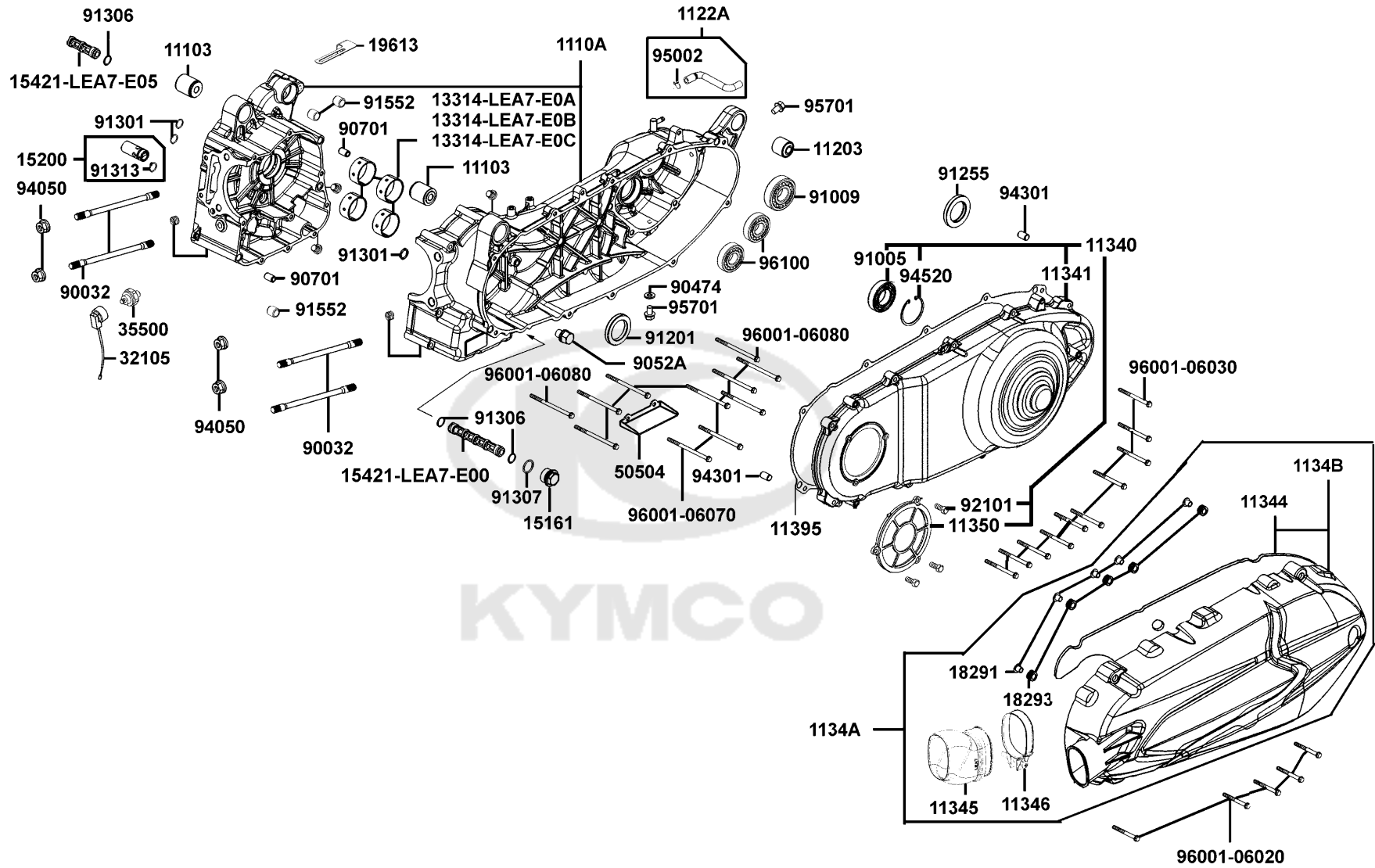


KYMCO

Sales mark	Ref no	Part no	Description	Reg description	Regd no	E01
	18291	18291-KKC4-900	COLLAR	COLLAR	5	
	18293	18293-KKC4-900	RUBBER	RUBBER	5	
	19613	19613-GFY6-901	CLAMPER STARTER	CLAMPER STARTER	1	
	32105	32105-LLJ3-E00	SUB HARNESS	SUB HARNESS	1	
	35500	35500-KED9-900	SW ASSY OIL PRESSURE	SW ASSY OIL PRESSURE	1	
	50504	50504-LEA7-E05	STOPPER PLATE LMAIN STAND	STOPPER PLATE LMAIN STAND	1	
	90032	90032-LEA7-E00	BOLT B STUD 10*180	BOLT B STUD 10*180	4	
	90474	90474-3C33-001	WASHER 8MM	WASHER 8MM	1	
	9052A	9052A-LEB1-900	BOLT ASSY DRAIN PLUG	BOLT ASSY DRAIN PLUG	1	
	90701	90701-9E65-001	PIN DOWEL 10*16	PIN DOWEL 10*16	2	
	91005	91005-LBA7-900	BEARING BALL RADIAL 6005LLU	BEARING BALL RADIAL 6005LLU	1	
	91009	91009-KHE7-900	BRG BALL RADIAL 6205LLU	BRG BALL RADIAL 6205LLU	1	
	91201	91201-LEA7-E00	OIL SEAL 35*50*7	OIL SEAL 35*50*7	1	
	91255	91255-KHE7-900	OIL SEAL 34*52*7	OIL SEAL 34*52*7	1	
	91301	91301-2L00-001	O-RING 10*1.6	O-RING 10*1.6	3	
	91306	91306-PUA5-E00	O-RING 13*1.5	O-RING 13*1.5	2	
	91307	91307-PUA5-E00	O-RING 18*2	O-RING 18*2	1	
	91313	91313-KED9-900	O RING 15.5*1.5	O RING 15.5*1.5	1	
	91552	91552-LEA7-E00	COLLAR.10.5MM	COLLAR.10.5MM	3	
	92101	92101-05008-0A	BOLT HEX 5*8	BOLT HEX 5*8	3	

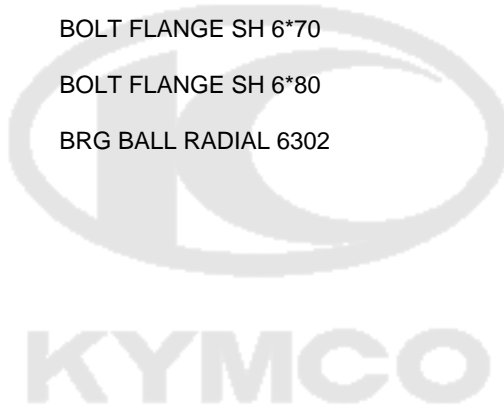
E01

Crank Case

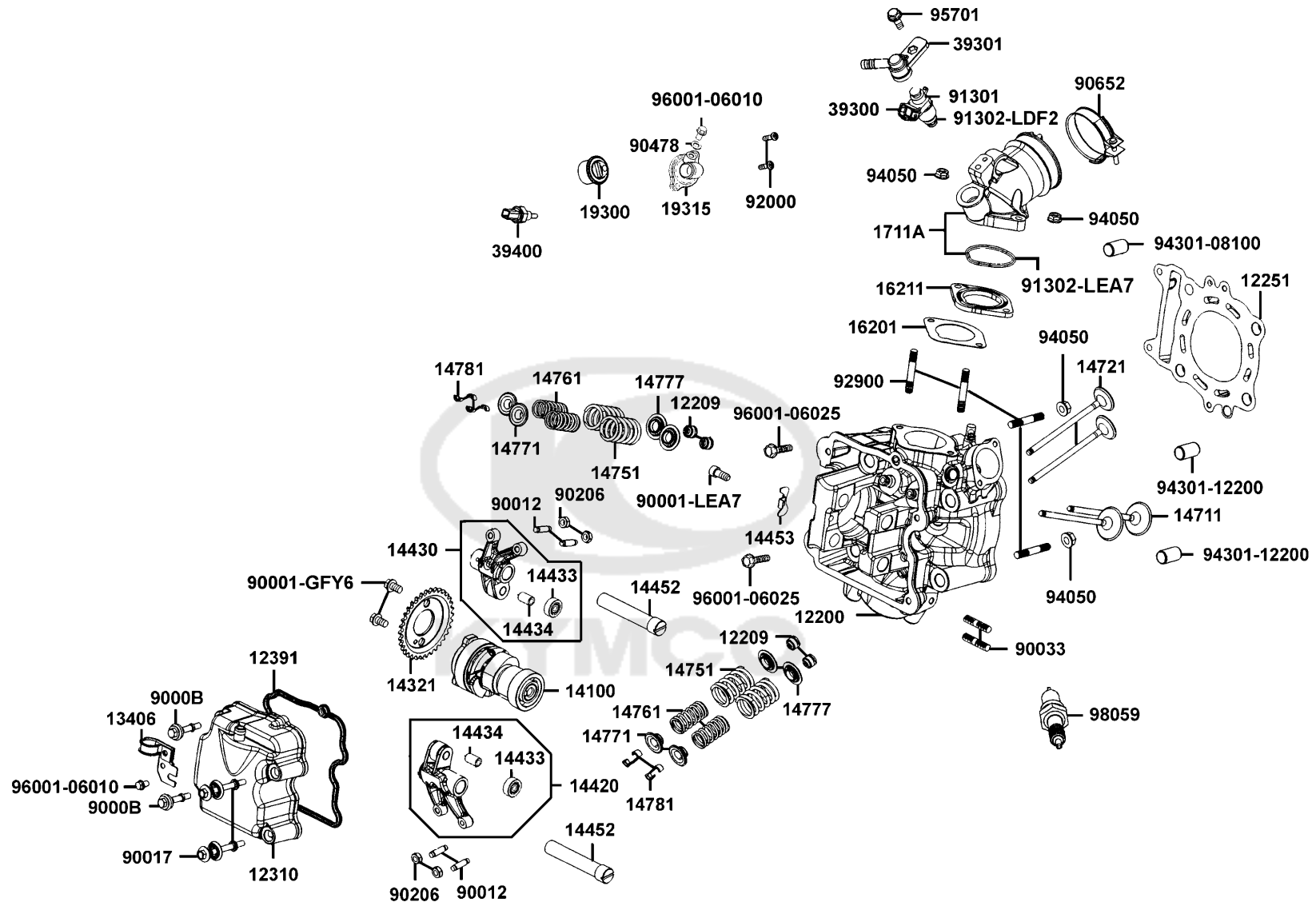


KYMCO

Sales mark	Ref no	Part no	Description	Reg description	Regd no	E01
94050		94050-10060	NUT FLANGE 10MM	NUT FLANGE 10MM	4	
94301		94301-10160	DOWEL PIN 10*16	DOWEL PIN 10*16	2	
94520		94520-47000	CIR CLIP IN 47	CIR CLIP IN 47	1	
95002		95002-50000	CLIP C9 TUBE	CLIP C9 TUBE	1	
95701		95701-08012-08	BOLT FLANGE 8X12	BOLT FLANGE 8X12	2	
96001-06020		96001-06020-06	BOLT FLANGE SH 6*20	BOLT FLANGE SH 6*20	5	
96001-06030		96001-06030-08	BOLT FLANGE SH 6*30	BOLT FLANGE SH 6*30	10	
96001-06070		96001-06070-08	BOLT FLANGE SH 6*70	BOLT FLANGE SH 6*70	6	
96001-06080		96001-06080-08	BOLT FLANGE SH 6*80	BOLT FLANGE SH 6*80	2	
96100		96100-63020-00	BRG BALL RADIAL 6302	BRG BALL RADIAL 6302	2	

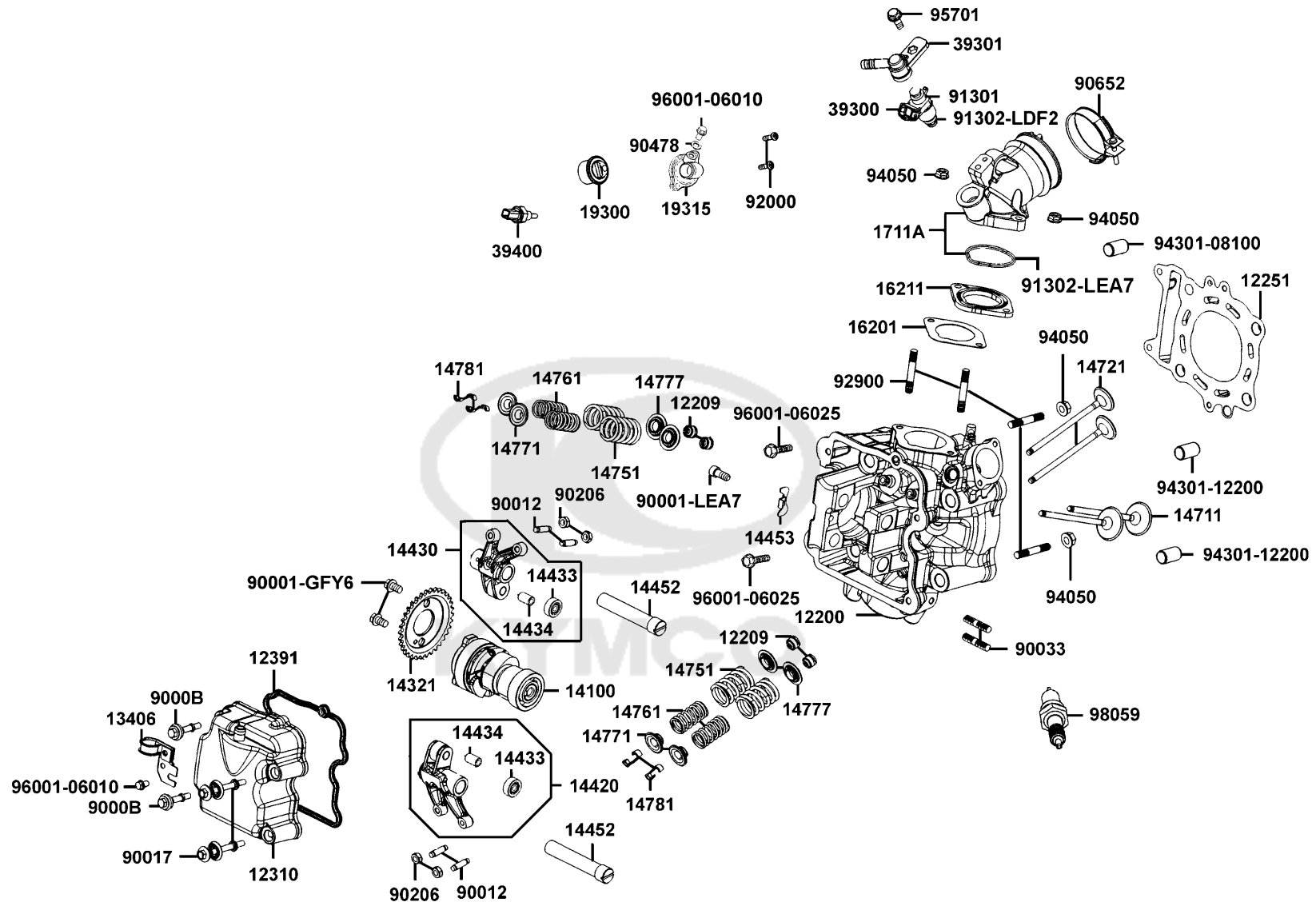


Cylinder Head Cover Cylinder Head



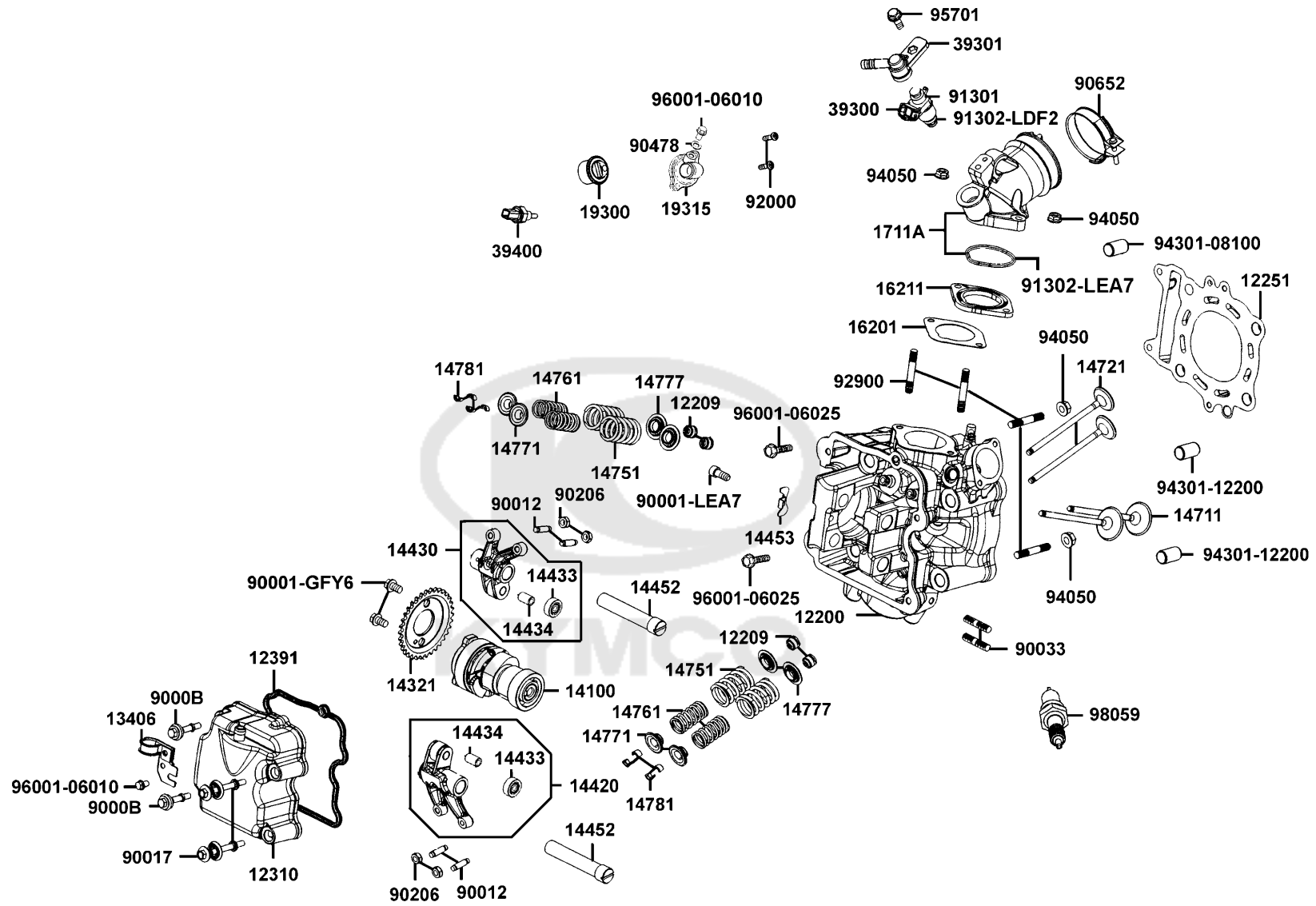
Sales mark	Ref no	Part no	Description	Reg description	Regd no	E02
12200		12200-LKG7-E00	HEAD COMP CYLINDER	HEAD COMP CYLINDER	1	
12209		12209-GDB4-68A	SEAL VALVE STEM	SEAL VALVE STEM	4	
12251		12251-LEA7-E00	GASKET CLINDER HEAD	GASKET CLINDER HEAD	1	
12310		12310-LEA7-E00	COVER COMP. CYLND HEAD	COVER COMP. CYLND HEAD	1	
12391		12391-LEA7-E00	GASKET HEAD COVER	GASKET HEAD COVER	1	
13406		13406-LEA7-E00	PLATE FUEL INJECTOR	PLATE FUEL INJECTOR	1	
14100		14100-LEA7-E00	SHAFT COMP CAM	SHAFT COMP CAM	1	
14321		14321-LEA7-E00	SPROCKET CAMSHAFT	SPROCKET CAMSHAFT	1	
14420		14420-LEA7-E00	ARM COMP EXH VALVE ROCKER	ARM COMP EXH VALVE ROCKER	1	
14430		14430-LEA7-E00	ARM COMP IN VALVE ROCKER	ARM COMP IN VALVE ROCKER	1	
14433		14433-PTA1-900	ROCKER ASSY ROCKER ARM	ROCKER ASSY ROCKER ARM	2	
14434		14434-PTA1-900	PIN ROCKER ARM	PIN ROCKER ARM	2	
14452		14452-LEA7-E00	SHAFT EX ROCKER ARM	SHAFT EX ROCKER ARM	2	
14453		14453-LEA7-E00	SET PLATE ROCKER ARM SHAFT	SET PLATE ROCKER ARM SHAFT	1	
14711		14711-LEA7-E00	VALVA INLET	VALVA INLET	2	
14721		14721-LEA7-E00	VALVE EXHAUST	VALVE EXHAUST	2	
14751		14751-LEA7-E00	SPRING VALVE OUTER	SPRING VALVE OUTER	4	
14761		14761-LEA7-E00	SPRING VALVE INNER	SPRING VALVE INNER	4	
14771		14771-GDB4-680	RETAINER VALVE SPRING	RETAINER VALVE SPRING	4	
14777		14777-LBA2-E00	SEAT VALVE SPG	SEAT VALVE SPG	4	

Cylinder Head Cover Cylinder Head

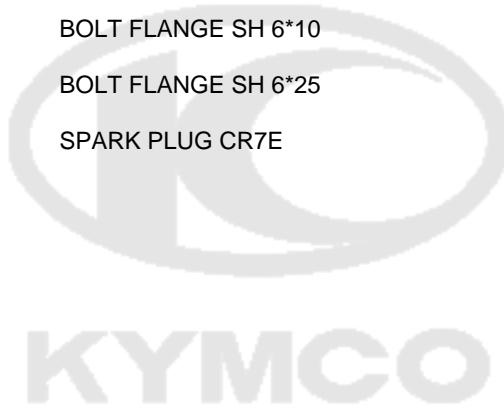


Sales mark	Ref no	Part no	Description	Reg description	Regd no	E02
14781		14781-MFA6-001	COTTER VALVE	COTTER VALVE	8	
16201		16201-LEA7-E00	GASKET CARB INSULATOR @A	GASKET CARB INSULATOR @A	1	
16211		16211-LEA7-E00	INSULATOR CARB	INSULATOR CARB	1	
1711A		1711A-LEA7-E05	PIPE ASSY INLET	PIPE ASSY INLET	1	
19300		19300-LFA7-E0A	THERNOSTAT ASSY	THERNOSTAT ASSY	1	
19315		19315-LFA7-E00	COVER COMP THERMOSTAT	COVER COMP THERMOSTAT	1	
39300		39300-LDF2-M90	INJECTOR UNIT FUEL	INJECTOR UNIT FUEL	1	
39301		39301-LDF2-M90	INJECTOR	INJECTOR	1	
39400		39400-LDF2-800	WATER TEMP SENSOR	WATER TEMP SENSOR	1	
90001-GFY6		90001-GFY6-901	SOCKET BOLT 6*10	SOCKET BOLT 6*10	1	
90001-LEA7		90001-LEA7-E00	SOCKET BOLT 6*14 (G)+??	SOCKET BOLT 6*14 (G)+??	1	
9000B		9000B-KHD6-900	BOLT ASSY SPECIAL 6*41.5	BOLT ASSY SPECIAL 6*41.5	2	
90012		90012-3C33-001	SCREW TAPPET ADJUSTING	SCREW TAPPET ADJUSTING	4	
90017		90017-KKE5-E00	BOLT ASSY HEAD COVER	BOLT ASSY HEAD COVER	2	
90033		90033-KGB4-C00	BOLT STUD 8*40	BOLT STUD 8*40	2	
90206		90206-0A01-001	NUT TAPPET ADJG	NUT TAPPET ADJG	4	
90478		90478-7L00-001	WASHER A 6MM	WASHER A 6MM	1	
90652		90652-LDG7-900	C-HOPE 10-59	C-HOPE 10-59	1	
91301		91301-LDF2-M90	O-RING 7.3*2.2	O-RING 7.3*2.2	1	
91302-LDF2		91302-LDF2-M90	SEAL RING	SEAL RING	1	

Cylinder Head Cover Cylinder Head

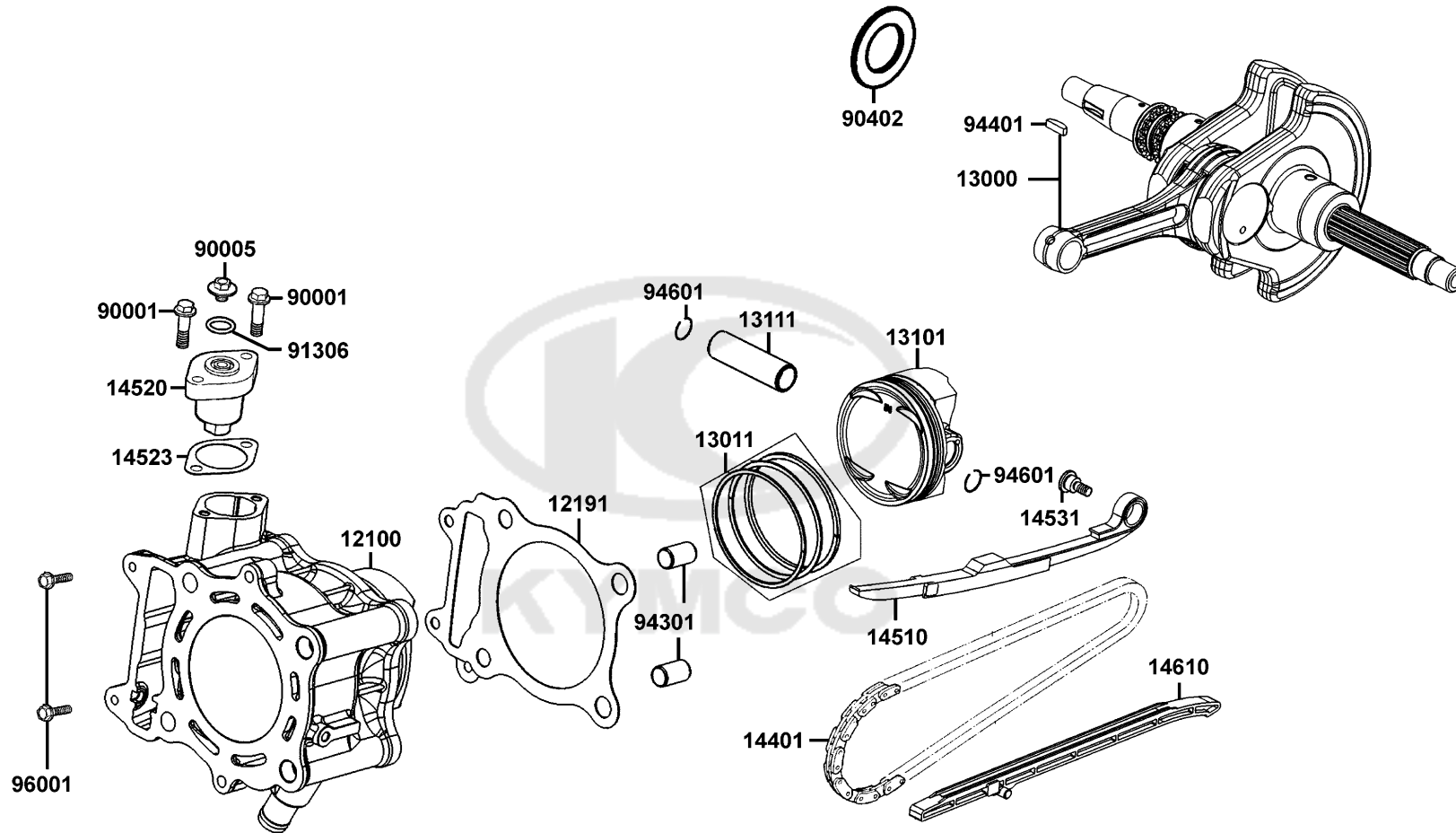


Sales mark	Ref no	Part no	Description	Reg description	Regd no	E02
	91302-LEA7	91302-LEA7-E00	O-RING	O-RING	1	
	92000	92000-05016-0H	BOLT HEX 5*16	BOLT HEX 5*16	2	
	92900	92900-06040-0E	BOLT STUD 6*40	BOLT STUD 6*40	4	
	94050	94050-06080	NUT FLANGE 6MM	NUT FLANGE 6MM	4	
	94301-08100	94301-08100	DOWEL PIN 8*10	DOWEL PIN 8*10	1	
	94301-12200	94301-12200	DOWEL SLEEVE 12X20	DOWEL SLEEVE 12X20	2	
	95701	95701-06016-08	BOLT FLANGER 6*12	BOLT FLANGER 6*12	1	
	96001-06010	96001-06010-06	BOLT FLANGE SH 6*10	BOLT FLANGE SH 6*10	3	
	96001-06025	96001-06025-06	BOLT FLANGE SH 6*25	BOLT FLANGE SH 6*25	2	
	98059	98059-57916-00	SPARK PLUG CR7E	SPARK PLUG CR7E	1	



E03

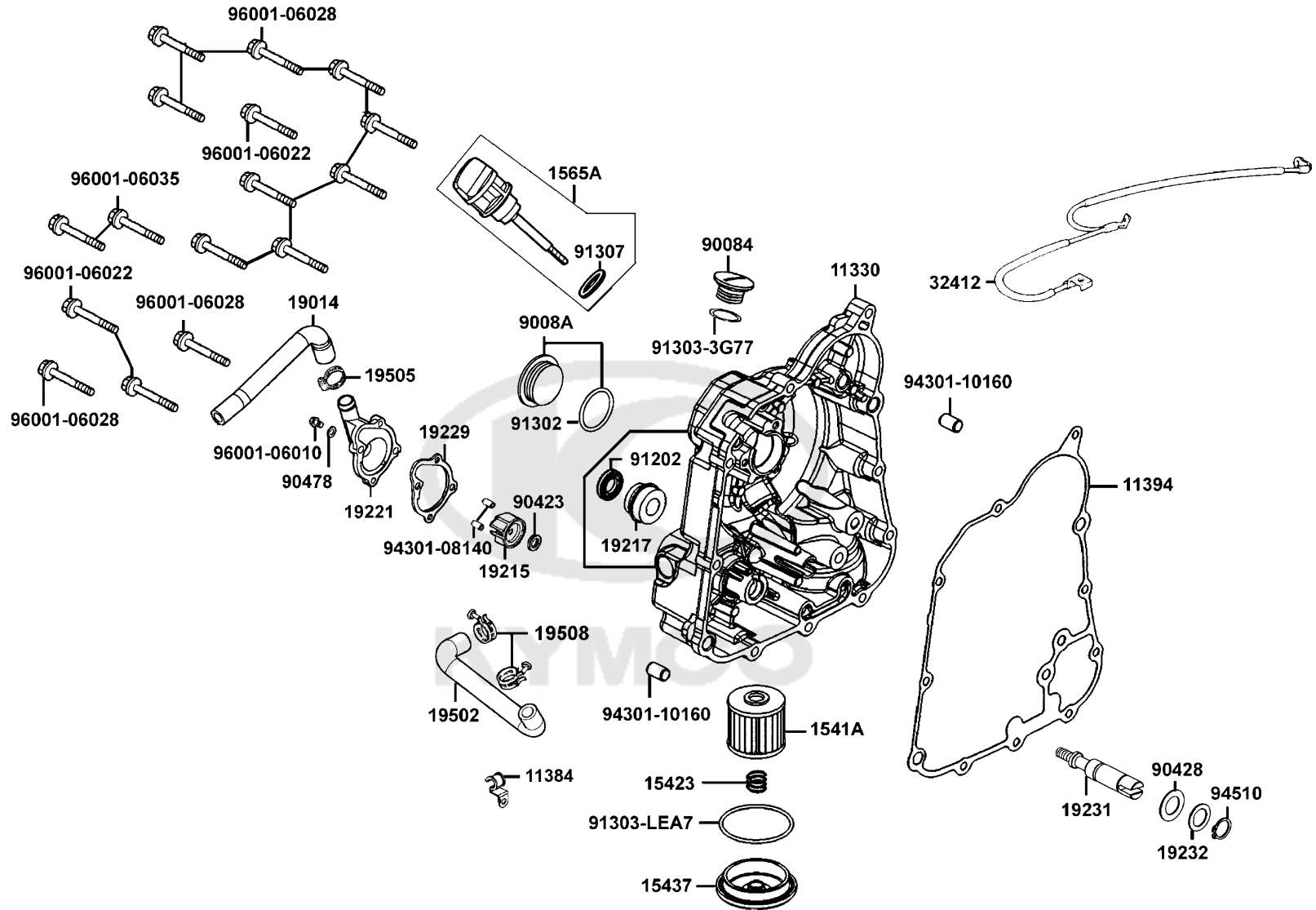
Cylinder Piston Crankshaft



Sales mark	Ref no	Part no	Description	Reg description	Regd no	E03
12100		12100-LEA7-E00	CYLINDER COMP.	CYLINDER COMP.	1	
12191		12191-LEA7-E00	GASKET CYLINDER	GASKET CYLINDER	1	
13000		13000-LEA7-E00	CRANK SHAFT COMP	CRANK SHAFT COMP	1	
13011		13011-LEA7-E00	RING SET PISTON	RING SET PISTON	1	
13101		13101-LEA7-E00	PISTON	PISTON	1	
13111		13111-LEA7-E00	PIN PISTON	PIN PISTON	1	
14401		14401-PWB1-900	CHAIN CAM	CHAIN CAM	1	
14510		14510-LEA7-E00	TENSIONER CAM CHAIN	TENSIONER CAM CHAIN	1	
14520		14520-KED9-900	LIFTER ASSY TENSIONER	LIFTER ASSY TENSIONER	1	
14523		14523-KED9-900	GASKET TENSIONER LIFTER	GASKET TENSIONER LIFTER	1	
14531		14531-KHE7-900	PIVOT CAM CHAIN TENSIONER	PIVOT CAM CHAIN TENSIONER	1	
14610		14610-LEA7-E00	GUIDE COMP CAM CHAIN	GUIDE COMP CAM CHAIN	1	
90001		90001-GBHB-661	BOLT FLANGE SH 6*22	BOLT FLANGE SH 6*22	2	
90005		90005-KEC8-900	BOLT SPECIAL 6*6	BOLT SPECIAL 6*6	1	
90402		90402-LEA7-E00	THRUST WASHER 36X60X3	THRUST WASHER 36X60X3	1	
91306		91306-1E05-691	O-RING 1.5*9.5	O-RING 1.5*9.5	1	
94301		94301-12200	DOWEL SLEEVE 12X20	DOWEL SLEEVE 12X20	2	
94401		94401-25140	WOODRUFF KET 25*14	WOODRUFF KET 25*14	1	
94601		94601-17000	CLIP PISTON PIN 17MM	CLIP PISTON PIN 17MM	2	
96001		96001-06025-06	BOLT FLANGE SH 6*25	BOLT FLANGE SH 6*25	2	

E04

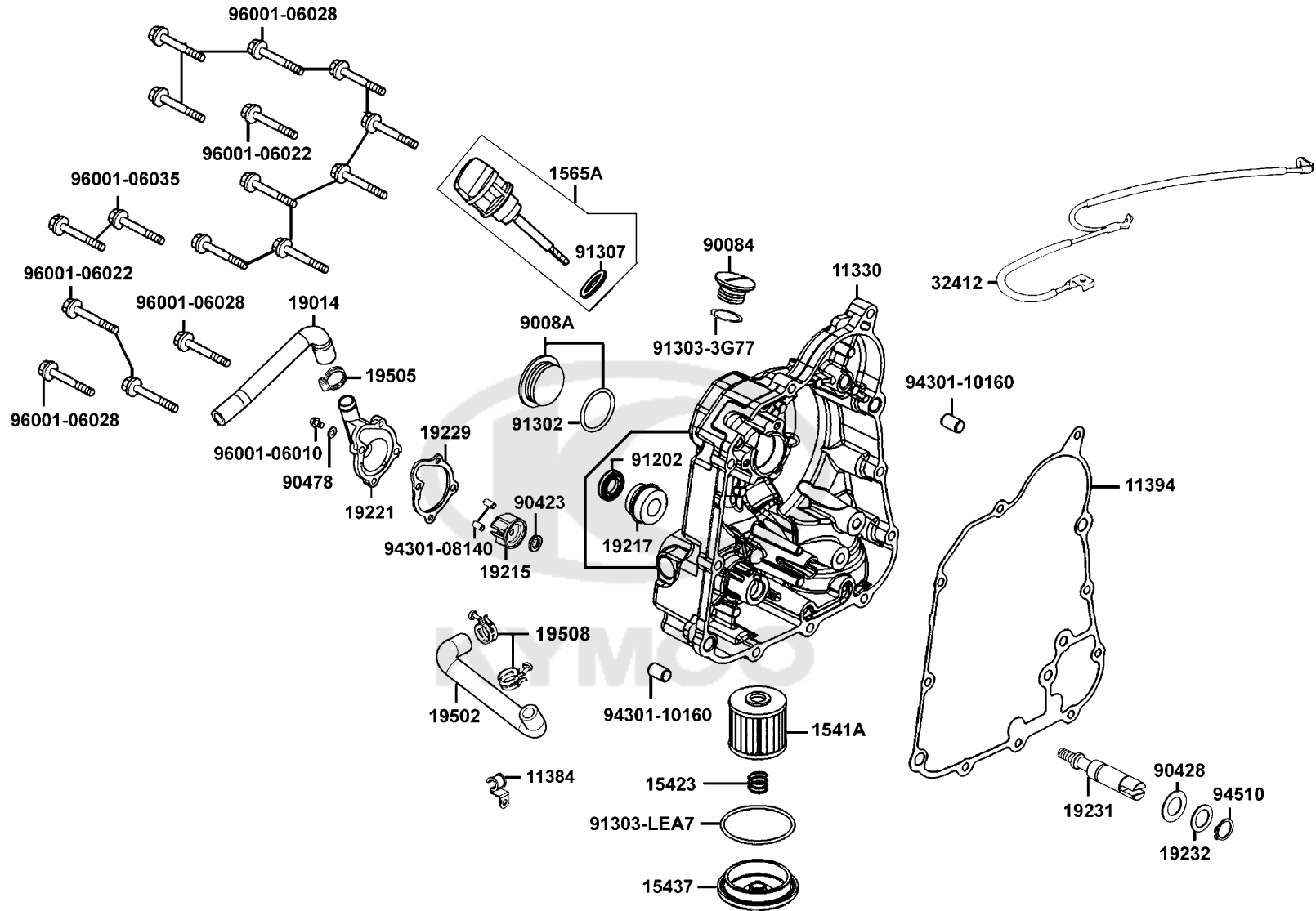
Right Crankcase Cover Water Pump



Sales mark	Ref no	Part no	Description	Reg description	Regd no	E04
**	11330	11330-LEA7-E00	COVER COMP RIGHT CRANK CASE	COVER COMP RIGHT CRANK CASE	1	
	11384	11384-LEA7-E05	CLIP WATER PIPE	CLIP WATER PIPE	1	
	11394	11394-LEA7-E00	GASKET,R. COVER	GASKET,R. COVER	1	
	1541A	1541A-LEA7-E00	ELEMENT ASSY., OIL FILTER	ELEMENT ASSY., OIL FILTER	1	
	15423	15423-KKC3-900	SPRING CAP OIL	SPRING CAP OIL	1	
	15437	15437-LEA7-E00	CAP OIL FILTER	CAP OIL FILTER	1	
	1565A	1565A-LGF9-E00	GUIDE OIL LEVEL ASSY	GUIDE OIL LEVEL ASSY	1	
	19014	19014-LKG7-E00	HOSE,WATER OUTLET	HOSE,WATER OUTLET	1	
	19215	19215-LEA7-E00	IMPELLER WATER PUMP	IMPELLER WATER PUMP	1	
	19217	19217-6G57-024	SEAL MECHANICAL	SEAL MECHANICAL	1	
**	19221	19221-LGE5-E00	COVER WATER PUMP	COVER WATER PUMP	1	
	19229	19229-LEA7-E00	GASKET WATER PUMP	GASKET WATER PUMP	1	
	19231	19231-LEA7-E00	SHAFT WATER PUMP	SHAFT WATER PUMP	1	
	19232	19232-LBA2-E00	WASHER 21*13.8*1.5	WASHER 21*13.8*1.5	1	
	19502	19502-LEA7-E00	HOSE B WATER	HOSE B WATER	1	
	19505	19505-LBA2-E00	CLAMP WATER HOSE	CLAMP WATER HOSE	1	
	19508	19508-LBA2-E00	CLAMP D23	CLAMP D23	2	
	32412	32412-LKG7-E00	CABLE. EARTH	CABLE. EARTH	1	
**	90084	90084-KKF9-901	CAP AC GENERATOR	CAP AC GENERATOR	1	
	9008A	9008A-KBE2-900	CAP ASSY 30MM	CAP ASSY 30MM	1	

E04

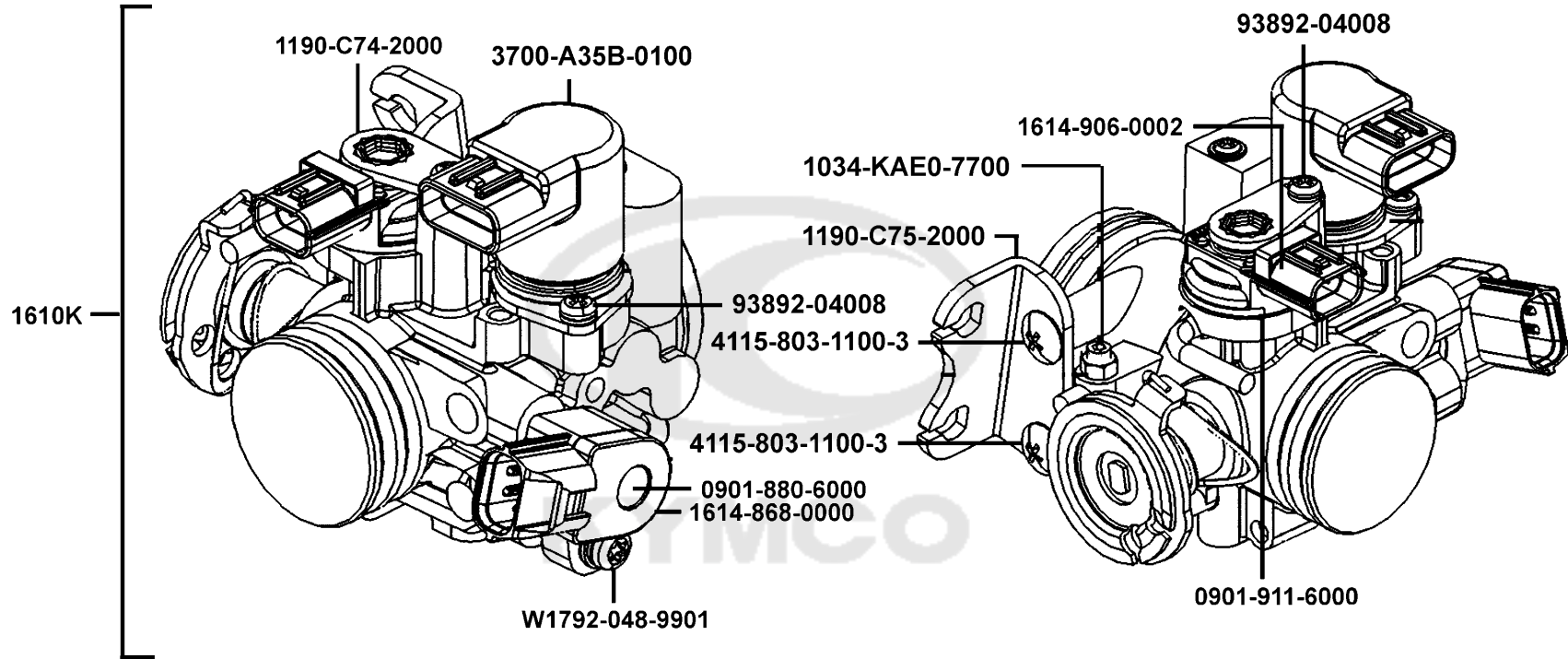
Right Crankcase Cover Water Pump



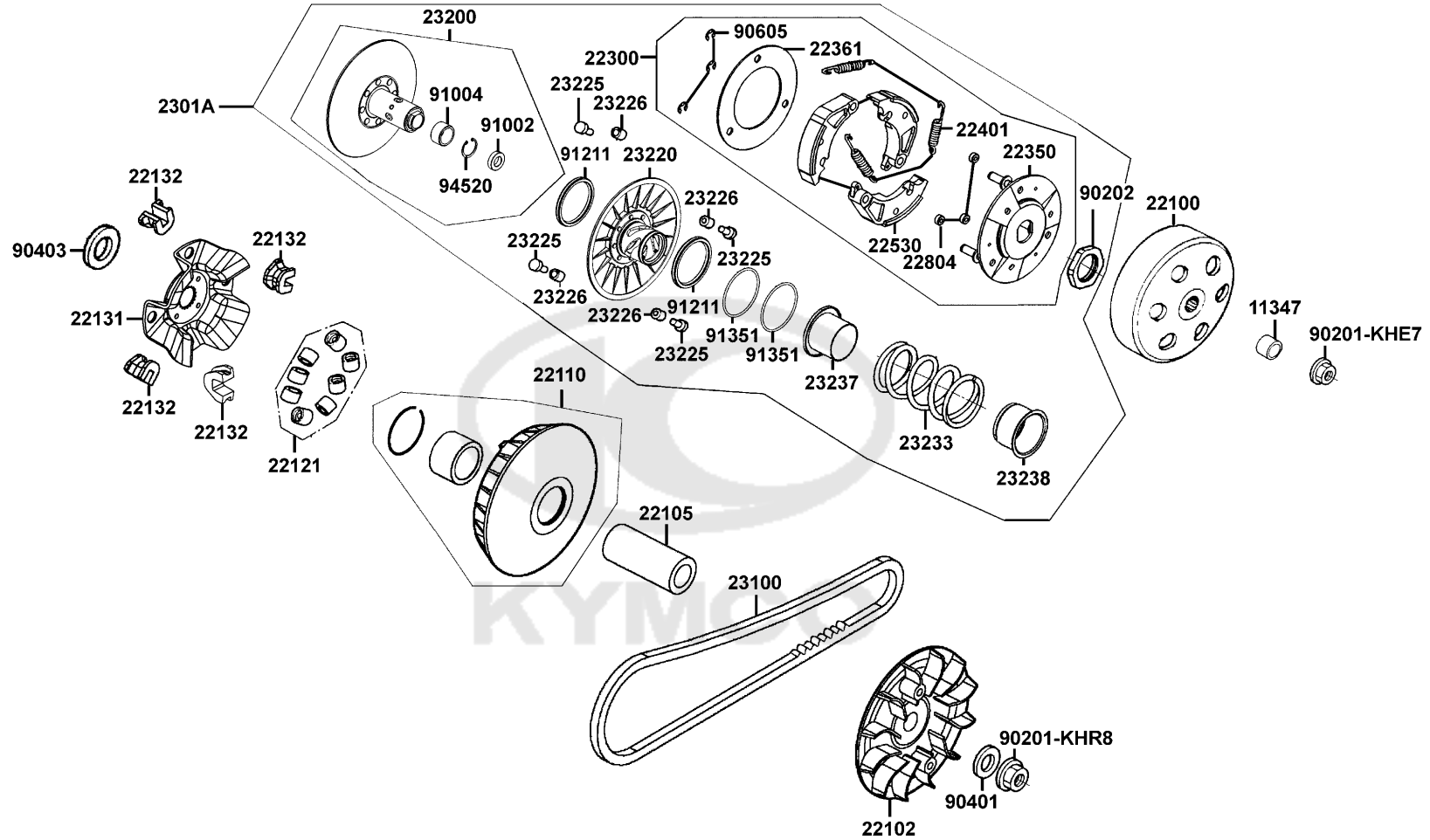
Sales mark	Ref no	Part no	Description	Reg description	Regd no	E04
90423		90423-KKJ9-001	WASHER 7.2*13*1.2	WASHER 7.2*13*1.2	1	
90428		90428-9H58-001	WASHER THRUST 14MM	WASHER THRUST 14MM	1	
90478		90478-7L00-001	WASHER A 6MM	WASHER A 6MM	1	
91202		91202-KGB4-C00	OIL SEAL 13.7*24*5	OIL SEAL 13.7*24*5	1	
91302		91302-5G67-004	O-RING 27.4*2.4	O-RING 27.4*2.4	1	
91303-3G77		91303-3G77-001	O-RING 13.8*2.5	O-RING 13.8*2.5	1	
91303-LEA7		91303-LEA7-E00	O-RING 52.5x2.5	O-RING 52.5x2.5	1	
91307		91307-0E35-001	O RING 18*3	O RING 18*3	1	
94301-08140		94301-08140	PIN A DOWEL 8*14	PIN A DOWEL 8*14	2	
94301-10160		94301-10160	DOWEL PIN 10*16	DOWEL PIN 10*16	2	
94510		94510-14000	CIR CLIP EXTERNAL 14	CIR CLIP EXTERNAL 14	1	
96001-06010		96001-06010-00	BOLT FLANGE SH 6X10	BOLT FLANGE SH 6X10	1	
96001-06022		96001-06022-06	BOLT FLANGE SH 6*25	BOLT FLANGE SH 6*25	3	
96001-06028		96001-06028-06	BOLT FLANGE SH 6*28	BOLT FLANGE SH 6*28	11	
96001-06035		96001-06035-06	BOLT FLANGE SH 6*35	BOLT FLANGE SH 6*35	2	

E05

Throttle Body Assy



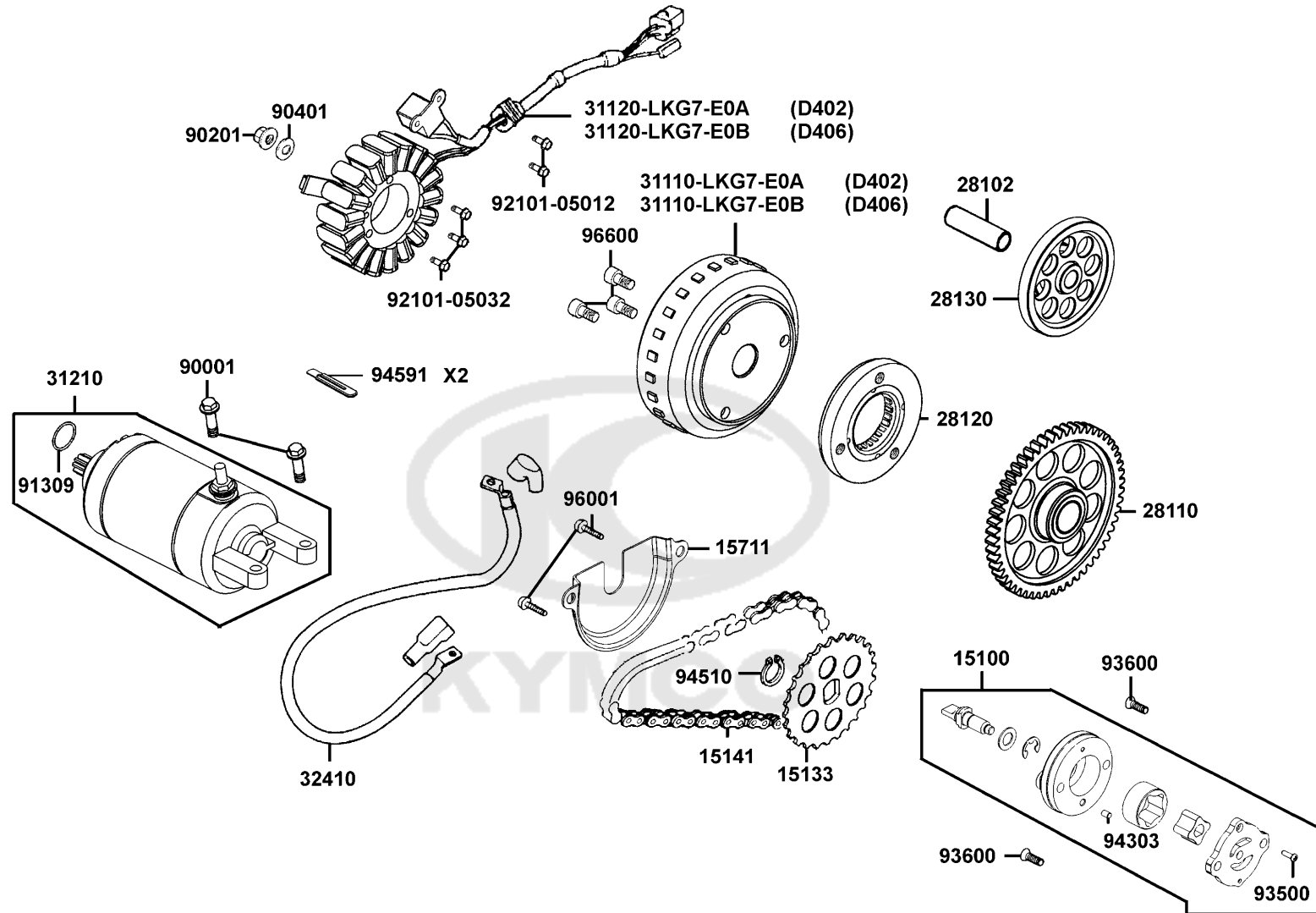
Sales mark	Ref no	Part no	Description	Reg description	Regd no	E05
	0901-880-6000	0901-880-6000	O-RING/TPS	O-RING/TPS	1	
	0901-911-6000	0901-911-6000	O-RING	O-RING	1	
	1034-KAE0-7700	1034-KAE0-7700	SCREW / THROTTLE	SCREW / THROTTLE	1	
	1190-C74-2000	1190-C74-2000	STAY PLATE	STAY PLATE	1	
	1190-C75-2000	1190-C75-2000	BRACKET / THROTTLE CABLE	BRACKET / THROTTLE CABLE	1	
	1610K	1610K-LGE5-E00	THROTTLE BODY ASSY.	THROTTLE BODY ASSY.	1	
	1614-868-0000	1614-868-0000	THROTTLE POSITION SENSER	THROTTLE POSITION SENSER	1	
	1614-906-0002	1614-906-0002	MAP SENSOR	MAP SENSOR	1	
	3700-A35B-0100	3700-A35B-0100	ISC VALVE	ISC VALVE	1	
	4115-803-1100-3	4115-803-1100-3	"SCREW ,PAN"	"SCREW ,PAN"	2	
	93892-04008	93892-04008-18	SCREW WASHER 4*8	SCREW WASHER 4*8	2	
	W1792-048-9901	W1792-048-9901	SCREW TORX M5*0.8/TPS	SCREW TORX M5*0.8/TPS	1	



Sales mark	Ref no	Part no	Description	Reg description	Regd no	E06
11347		11347-LEA7-E00	BOSS DRIVE SHAFT	BOSS DRIVE SHAFT	1	
22100		22100-LEA7-E00	OUTER COMP CLUTCH	OUTER COMP CLUTCH	1	
22102		22102-LEA7-E00	FACE DRIVE	FACE DRIVE	1	
22105		22105-LGF9-E00	BOSS DRIVE FACE	BOSS DRIVE FACE	1	
22110		22110-LGE5-E00	FACE COMP MOVABLE DRIVE	FACE COMP MOVABLE DRIVE	1	
22121		22121-LEA7-E00	ROLLER COMP WEIGHT	ROLLER COMP WEIGHT	8	
22131		22131-LGE5-E00	PLATE RAMP	PLATE RAMP	1	
22132		22132-PWB1-900	PIECE SLIDE	PIECE SLIDE	4	
22300		22300-LGE5-E00	PLATE ASSY DRIVE	PLATE ASSY DRIVE	1	
22350		22350-KHE7-900	PLATE COMP DRIVE	PLATE COMP DRIVE	1	
22361		22361-LEA7-E00	PLATE CLUTCH SIDE	PLATE CLUTCH SIDE	1	
22401		22401-KHE7-900	SPRING CLUTCH	SPRING CLUTCH	3	
22530		22530-LGE5-E00	WEIGHT CLUTCH	WEIGHT CLUTCH	3	
22804		22804-GBB2-001	RUBBER CLUTCH DUMRER	RUBBER CLUTCH DUMRER	3	
2301A		2301A-LGE5-E00	PULLEY SUB. ASSY	PULLEY SUB. ASSY	1	
23100		23100-LEA7-E01	BELT DRIVE (N-5U)	BELT DRIVE (N-5U)	1	
23200		23200-LGE5-E00	FACE ASSY DRIVEN	FACE ASSY DRIVEN	1	
23220		23220-LGE5-E00	FACE COMP MOVABLE DRIVEN	FACE COMP MOVABLE DRIVEN	1	
23225		23225-LEA7-E00	PIN. ROLLER GUIDE	PIN. ROLLER GUIDE	4	
23226		23226-LEA7-E00	ROLLER GUIDE	ROLLER GUIDE	4	

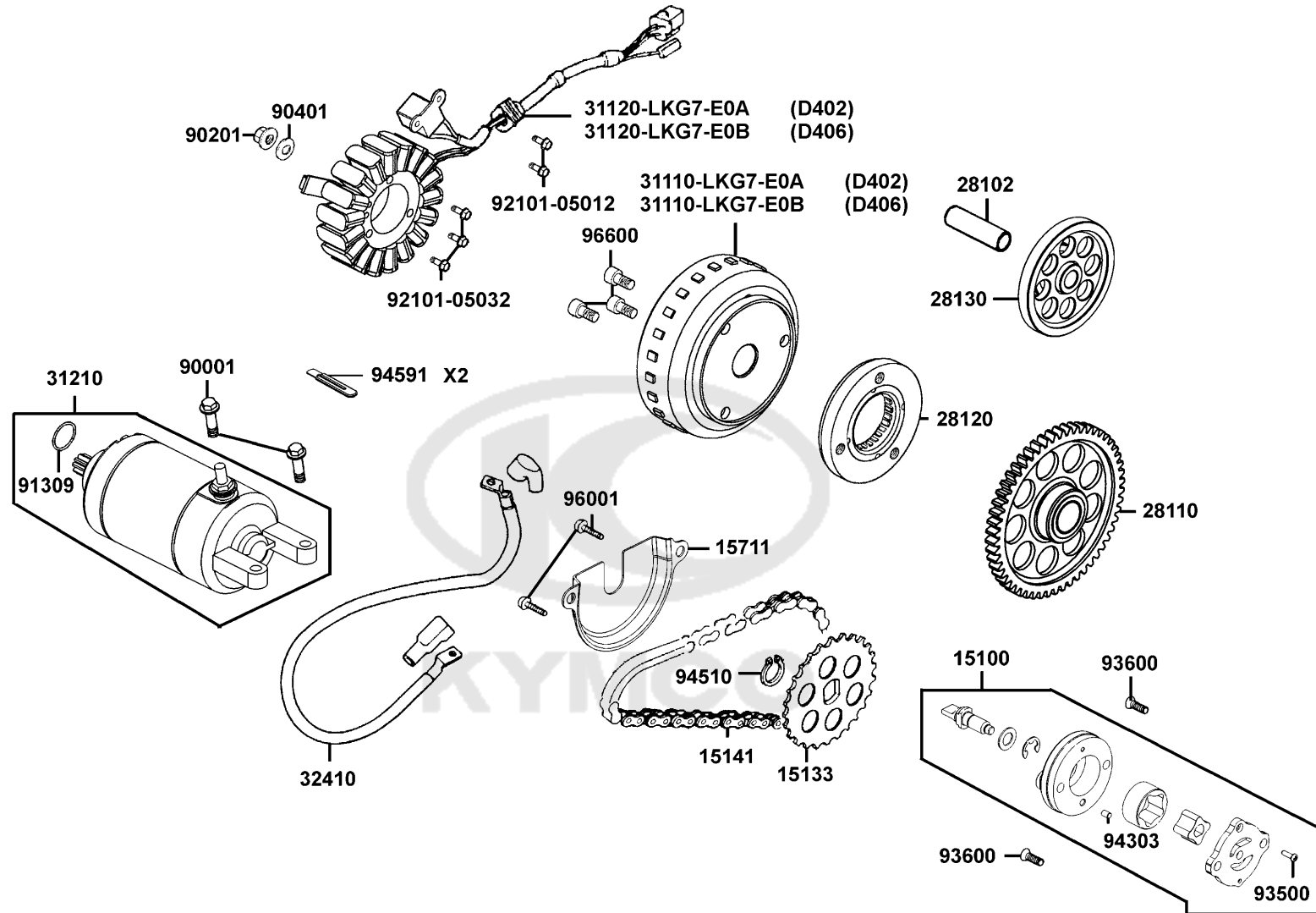
Sales mark	Ref no	Part no	Description	Reg description	Regd no	E06
23233		23233-LEA7-E00	SPG.DRIVEN FACE	SPG.DRIVEN FACE	1	
23237		23237-KHE7-900	COLLAR SEAL	COLLAR SEAL	1	
23238		23238-KHE7-900	COLLAR SPG	COLLAR SPG	1	
90201-KHE7		90201-KHE7-900	NUT C FLANGE M12	NUT C FLANGE M12	1	
90201-KHR8		90201-KHR8-75A	NUT FLANGE 14MM	NUT FLANGE 14MM	1	
90202		90202-LEA7-E00	NUT SPECIAL 28mm	NUT SPECIAL 28mm	1	
90401		90401-LEA7-E00	WASHER THRUST 14*28*2	WASHER THRUST 14*28*2	1	
90403		90403-LEA7-E00	THRUST WASHER 20.2X35X2.35	THRUST WASHER 20.2X35X2.35	1	
90605		90605-1F66-721	CIR CLIP 7MM	CIR CLIP 7MM	3	
91002		91002-GGA7-70A	BRG BALL RADIAL 6902U 15*28*7	BRG BALL RADIAL 6902U 15*28*7	1	
91004		91004-LEA7-E00	BRG.NEEDLE 25X32X14	BRG.NEEDLE 25X32X14	1	
91211		91211-KHE7-900	SEAL DRIVEN FACE	SEAL DRIVEN FACE	2	
91351		91351-KHE7-900	O-RING PINION CAP	O-RING PINION CAP	2	
94520		94520-28000	CIR CLIP IN 28MM	CIR CLIP IN 28MM	1	

Starting Motor Generator



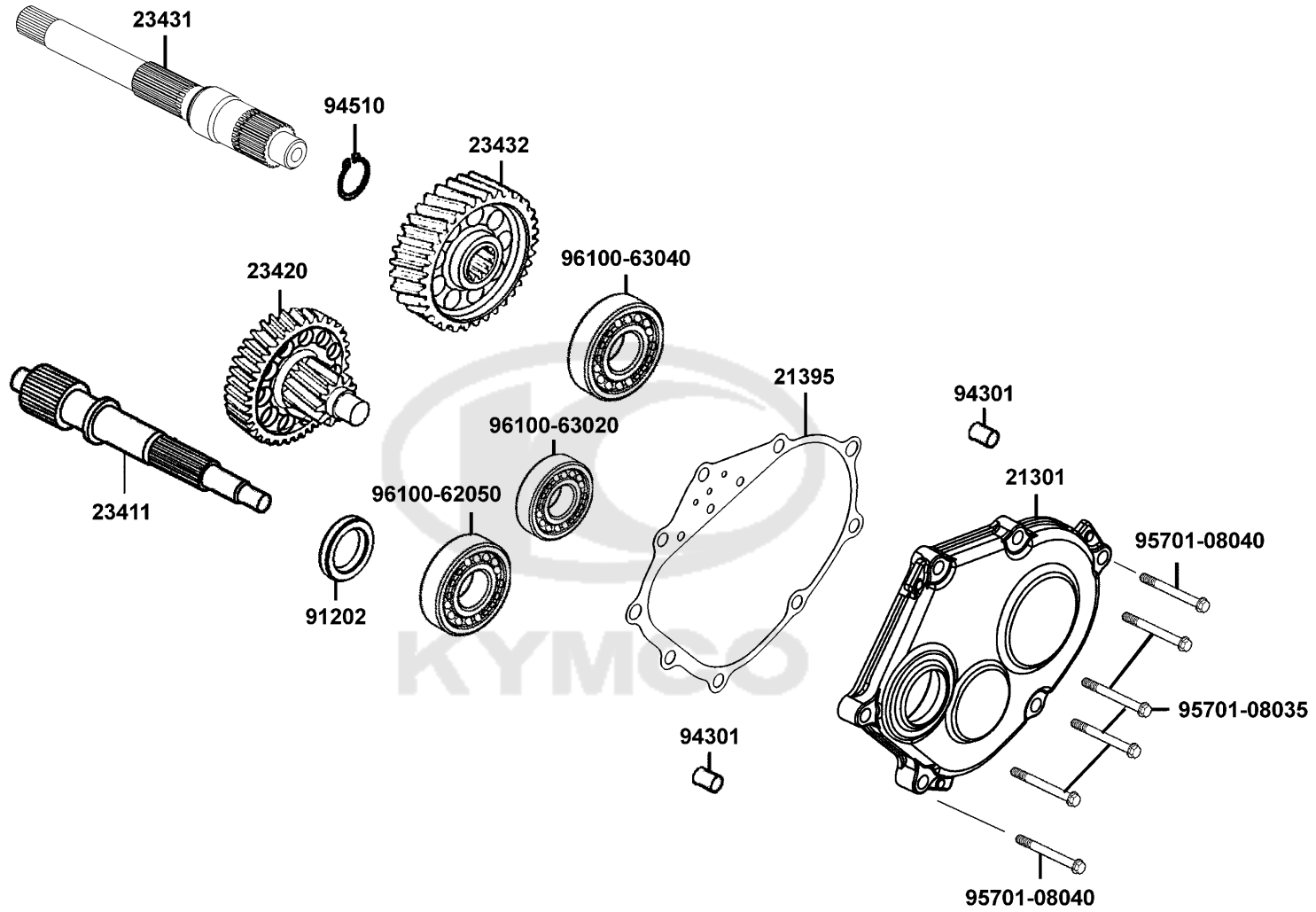
Sales mark	Ref no	Part no	Description	Reg description	Regd no	E07
	15100	15100-LEA7-E00	PUMP ASSY.. OIL	PUMP ASSY.. OIL	1	
	15133	15133-LGF9-E00	SPROCKET OIL PUMP	SPROCKET OIL PUMP	1	
	15141	15141-LGF9-E00	CHAIN OIL PUMP	CHAIN OIL PUMP	1	
	15711	15711-LEA7-E00	SEPARATOR OIL	SEPARATOR OIL	1	
	28102	28102-LEA7-E00	SHAFT STARTER REDUCTION	SHAFT STARTER REDUCTION	1	
	28110	28110-LEA7-E00	GEAR COMP STARTING CLUTCH	GEAR COMP STARTING CLUTCH	1	
	28120	28120-LDB2-E00	ONE WAY CLUTCH	ONE WAY CLUTCH	1	
	28130	28130-LEA7-E00	GEAR STARTER REDUCTION	GEAR STARTER REDUCTION	1	
	31110-LKG7-E0A	31110-LKG7-E0A	FLYWHEEL COMP (D402)	FLYWHEEL COMP (D402)	1	
	31110-LKG7-E0B	31110-LKG7-E0B	FLYWHEEL COMP (D406)	FLYWHEEL COMP (D406)	1	
	31120-LKG7-E0A	31120-LKG7-E0A	STATOR COMP (D402)	STATOR COMP (D402)	1	
	31120-LKG7-E0B	31120-LKG7-E0B	STATOR COMP (D406)	STATOR COMP (D406)	1	
	31210	31210-LEA7-E00	MOTOR UNIT..STARTER	MOTOR UNIT..STARTER	1	
	32410	32410-LEA7-E00	CABLE START MOTOR	CABLE START MOTOR	1	
	90001	90001-GBHB-661	BOLT FLANGE SH 6*22	BOLT FLANGE SH 6*22	2	
	90201	90201-KHR8-75A	NUT FLANGE 14MM	NUT FLANGE 14MM	1	
	90401	90401-KKJ9-001	WASHER THRUST 14*28*2	WASHER THRUST 14*28*2	1	
	91309	91309-4E25-004	O-RING 24.4*3.1	O-RING 24.4*3.1	1	
	92101-05012	92101-05012-0H	BOLT HEX 5*12	BOLT HEX 5*12	2	
	92101-05032	92101-05032-0H	BOLT HEX 5*32	BOLT HEX 5*32	3	

Starting Motor Generator



Sales mark	Ref no	Part no	Description	Reg description	Regd no	E07
93500		93500-03010-1A	SCREW PAN 3*12	SCREW PAN 3*12	1	
93600		93600-06032-0H	SCREW. FLAT. 6x32	SCREW. FLAT. 6x32	2	
94303		94303-04065	PIN C DOWEL 4*6.5	PIN C DOWEL 4*6.5	1	
94510		94510-10000	CIR EXTERNAL 10MM	CIR EXTERNAL 10MM	1	
94591		94591-KFBF-900	CLIP 2*70	CLIP 2*70	2	
96001		96001-06012-08	BOLT FLANGE SH 6*12	BOLT FLANGE SH 6*12	2	
96600		96600-08015-10	BOLT SOCKET 8*15	BOLT SOCKET 8*15	3	

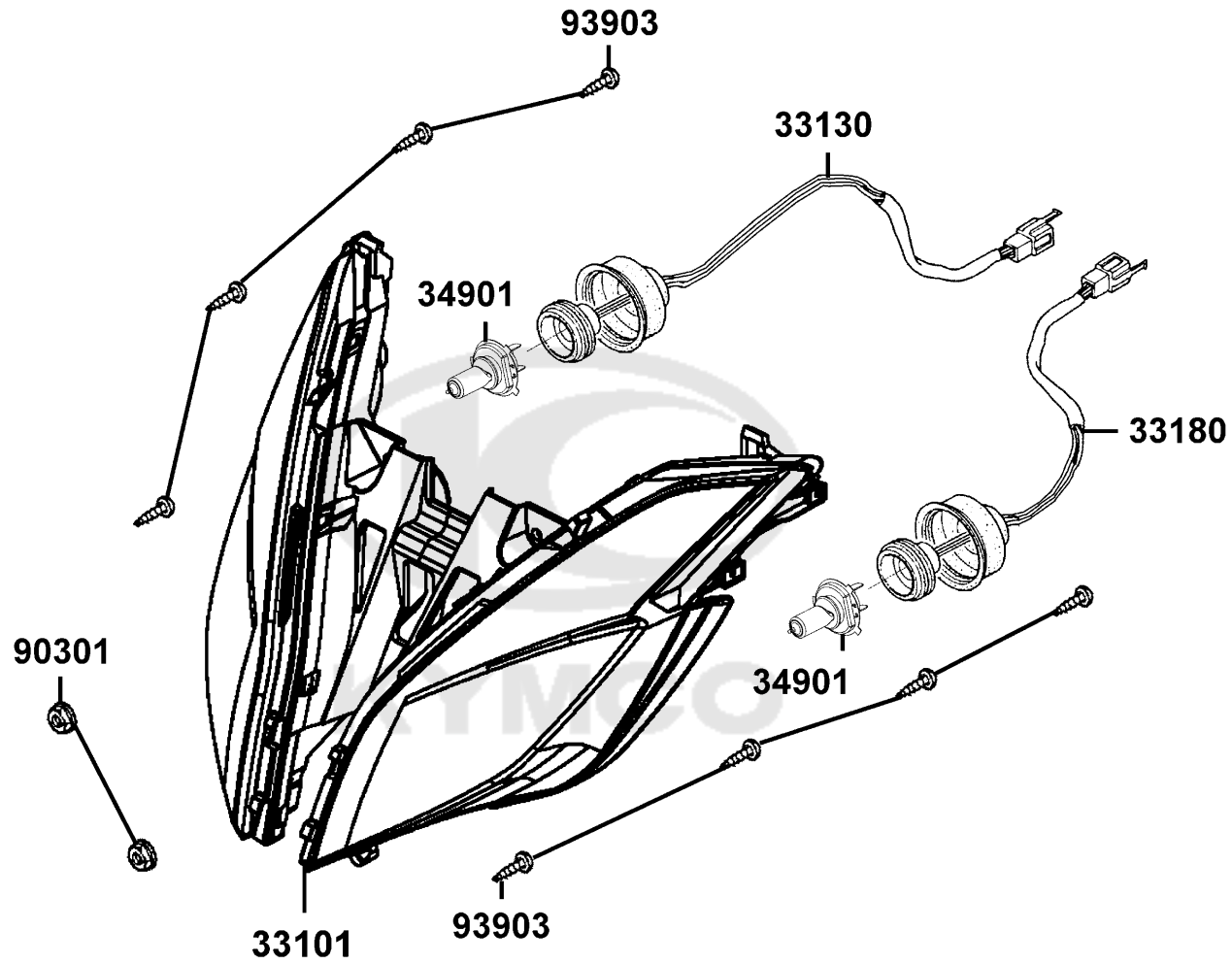




Sales mark	Ref no	Part no	Description	Reg description	Regd no	E08
21301		21301-LEA7-E00	COVER MISSION	COVER MISSION	1	
21395		21395-LEA7-E00	GASKET MISSION COVER	GASKET MISSION COVER	1	
23411		23411-LEA7-E00	SHAFT.DRIVE	SHAFT.DRIVE	1	
23420		23420-LEA7-E00	SHAFT COMP COUNTER	SHAFT COMP COUNTER	1	
23431		23431-LEA7-E00	SHAFT FINAL	SHAFT FINAL	1	
23432		23432-LEA7-E00	GEAR FINAL	GEAR FINAL	1	
91202		91202-LEA7-E00	OIL SEAL 25*35*6	OIL SEAL 25*35*6	1	
91202		91202-LEA7-E0A	OIL SEAL 25*35*6	OIL SEAL 25*35*6	1	
94301		94301-10160	DOWEL PIN 10*16	DOWEL PIN 10*16	2	
94510		94510-25000	CIR CLIP EX 25	CIR CLIP EX 25	1	
95701-08035		95701-08035-08	BOLT FLANGE 8*35	BOLT FLANGE 8*35	4	
95701-08040		95701-08040-08	BOLT FLANGE 8*40	BOLT FLANGE 8*40	2	
96100-62050		96100-62050-00	BRG BALL RADIAL 6205	BRG BALL RADIAL 6205	1	
96100-63020		96100-63020-00	BRG BALL RADIAL 6302	BRG BALL RADIAL 6302	1	
96100-63040		96100-63040-00	BRG BALL RADIAL 6304	BRG BALL RADIAL 6304	1	

F01

Head Light

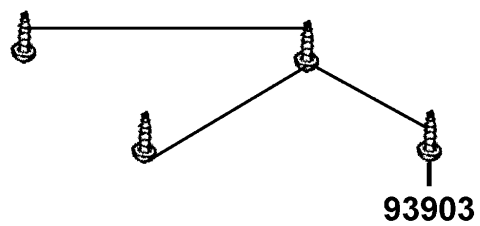
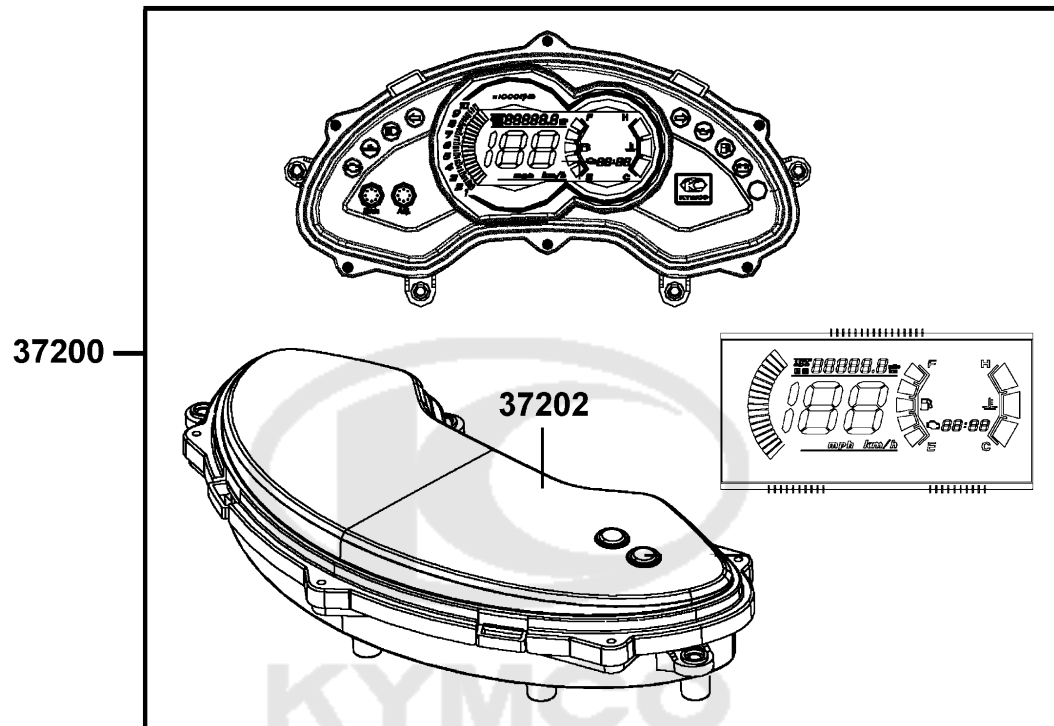


Sales mark	Ref no	Part no	Description	Reg description	Regd no	F01
	33101	33101-LKG7-E00	LENS HEAD LIGHT	LENS HEAD LIGHT	1	
	33130	33130-LKG7-E00	SOCKET COMP R RUBBER	SOCKET COMP R RUBBER	1	
	33180	33180-LKG7-E00	SOCKET COMP L RUBBER	SOCKET COMP L RUBBER	1	
	34901	34901-LEC8-E00	BULB HEAD LIGHT	BULB HEAD LIGHT	1	
	90301	90301-6D34-671	NUT FLANGE 6MM	NUT FLANGE 6MM	2	
	93903	93903-35360	SCREW TAPPING 5*16	SCREW TAPPING 5*16	8	



F02

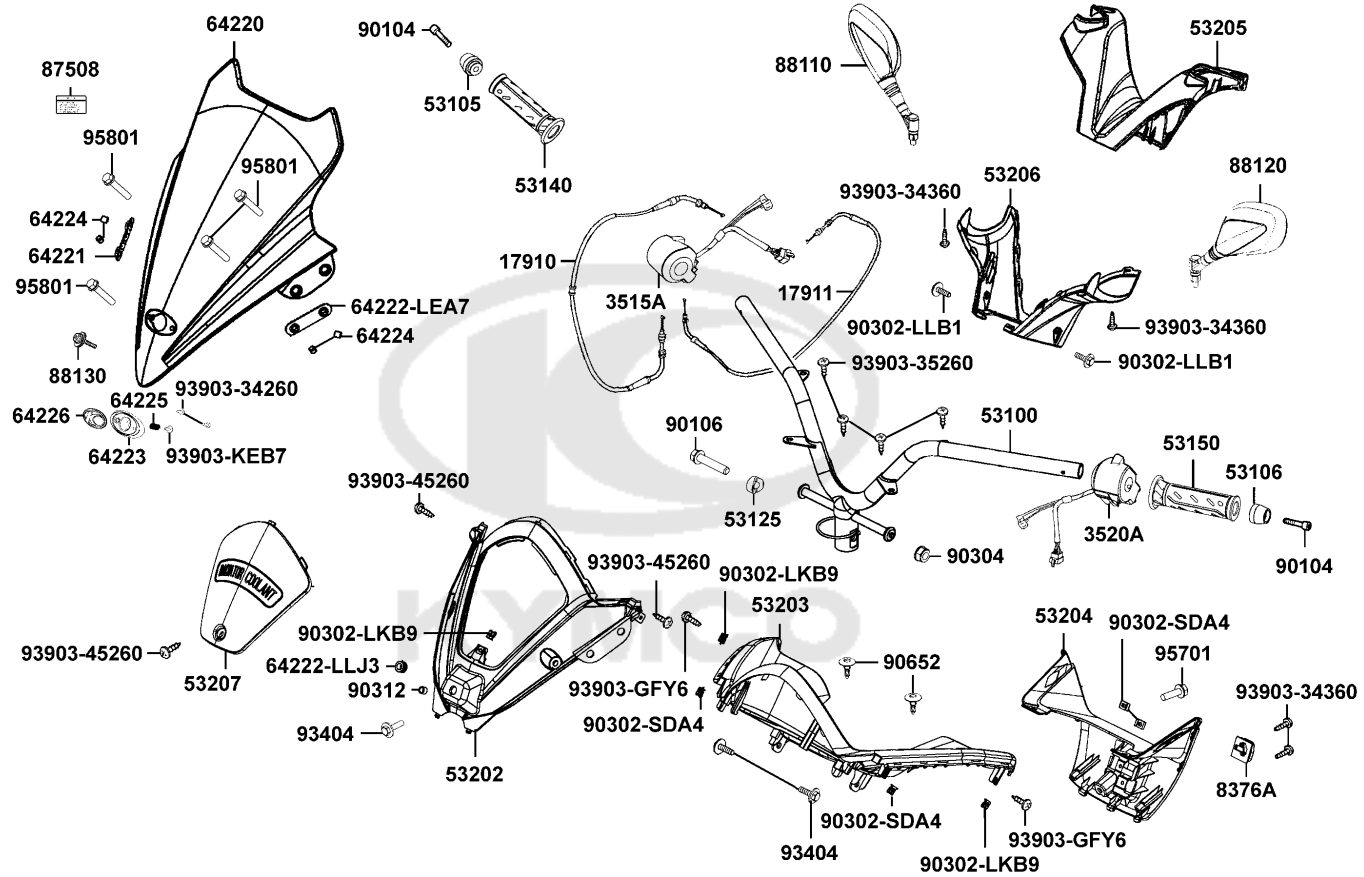
Speed meter



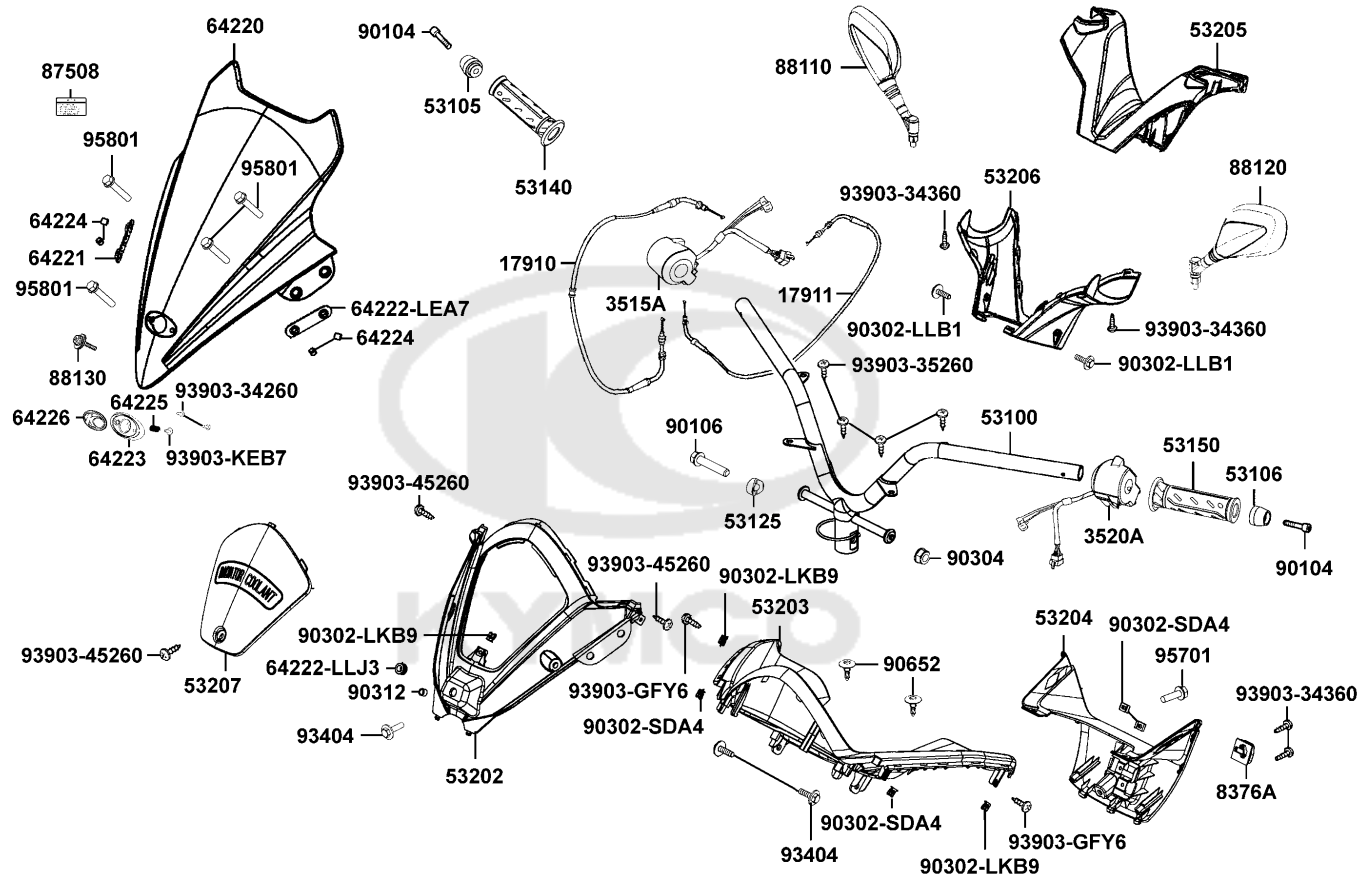
Sales mark	Ref no	Part no	Description	Reg description	Regd no	F02
------------	--------	---------	-------------	-----------------	---------	------------

37200	37200-LKG7-E00	37200-LKG7-E00	METER ASSY SPEED	METER ASSY SPEED	1	
37202	37202-LKG7-E00	37202-LKG7-E00	LENS ASSY	LENS ASSY	1	
93903	93903-35320	93903-35320	SCREW TAPPING 5*16	SCREW TAPPING 5*16	4	

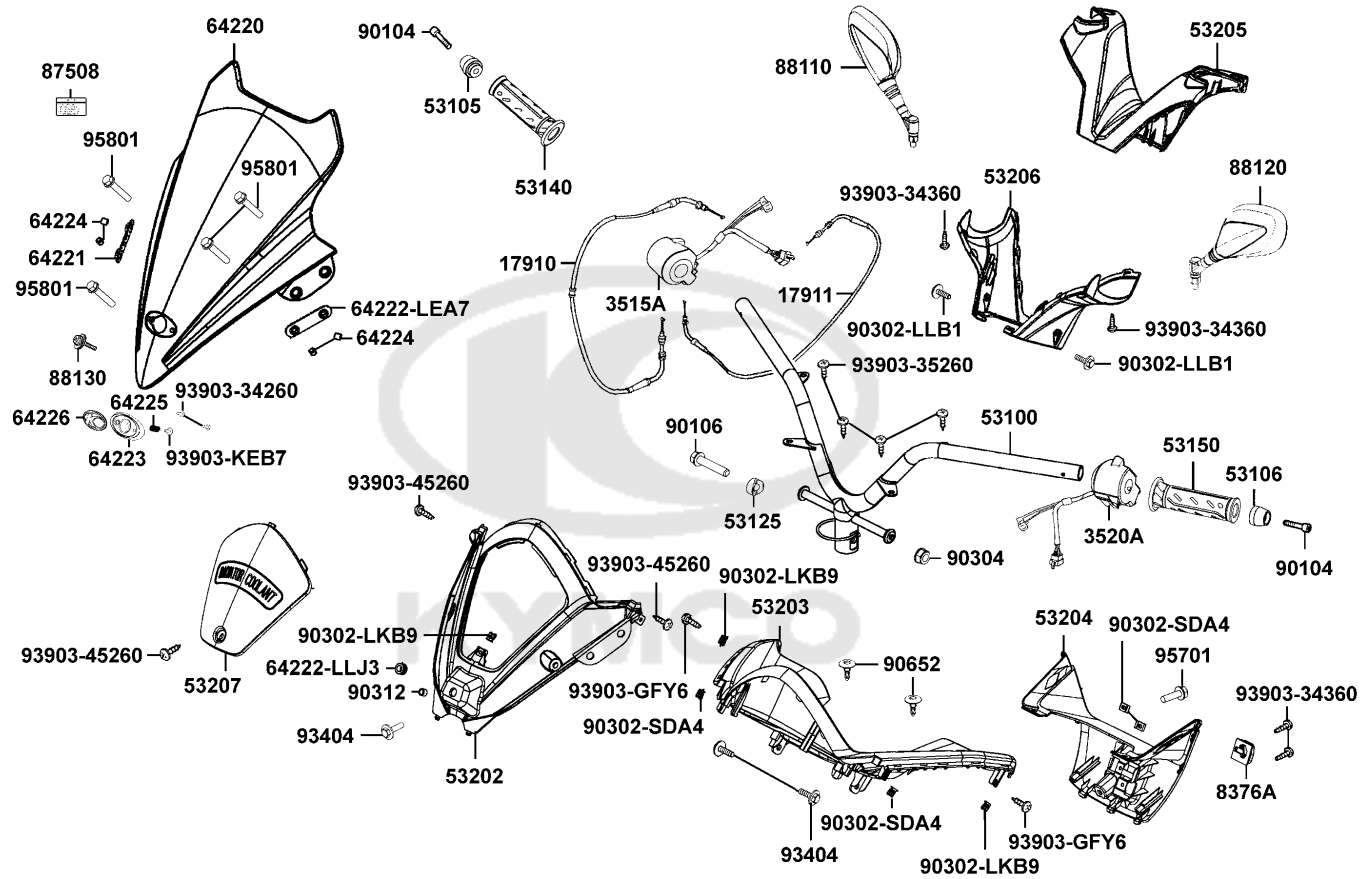




Sales mark	Ref no	Part no	Description	Reg description	Regd no	F03
	17910	17910-LKG7-E00	CABLE A,THROT	CABLE A,THROT	1	
	17911	17911-LKG7-E00	CABLE B THROT	CABLE B THROT	1	
	3515A	3515A-LKG7-E00	SW ASSY RH HANDLE COMP	SW ASSY RH HANDLE COMP	1	
	3520A	3520A-KEBE-900	SW ASSY L HNDL COMP	SW ASSY L HNDL COMP	1	
	53100	53100-LKG7-E00	HANDLE COMP.,STRG.	HANDLE COMP.,STRG.	1	
	53105	53105-LEA7-E00	END R,HANDLE	END R,HANDLE	1	
	53106	53106-LEA7-E00	END L,HANDLE	END L,HANDLE	1	
	53125	53125-LEA7-E00	COLLAR HANDLE SET	COLLAR HANDLE SET	1	
**	53140	53140-LEA7-E00	GRIP COMP THROT	GRIP COMP THROT	1	
**	53150	53150-LEA6-900	GRIP COMP L HANDLE	GRIP COMP L HANDLE	1	
**	53202	53202-LKG7-E00	COVER METER FR	COVER METER FR	1	
**	53203	53203-LKG7-E00	COVER METER FR	COVER METER FR	1	
**	53204	53204-LKG7-E00	TUNNEL LEG SHIELD	TUNNEL LEG SHIELD	1	
**	53205	53205-LEA7-E00	COVER HANDLE UP	COVER HANDLE UP	1	
**	53206	53206-LEA7-E00	COVER HANDLE LOW	COVER HANDLE LOW	1	
**	53207	53207-LKG7-E00	COVER RADIATOR MAINT	COVER RADIATOR MAINT	1	
**	64220	64220-LKG7-E00	WIND SCREW	WIND SCREW	1	
	64221	64221-LEA7-E00	RUBBER R WIND SCREEN	RUBBER R WIND SCREEN	1	
	64222-LEA7	64222-LEA7-E00	RUBBER L WIND SCREEN	RUBBER L WIND SCREEN	1	
	64222-LLJ3	64222-LLJ3-E00	RUBBER WIND SCREEN	RUBBER WIND SCREEN	1	

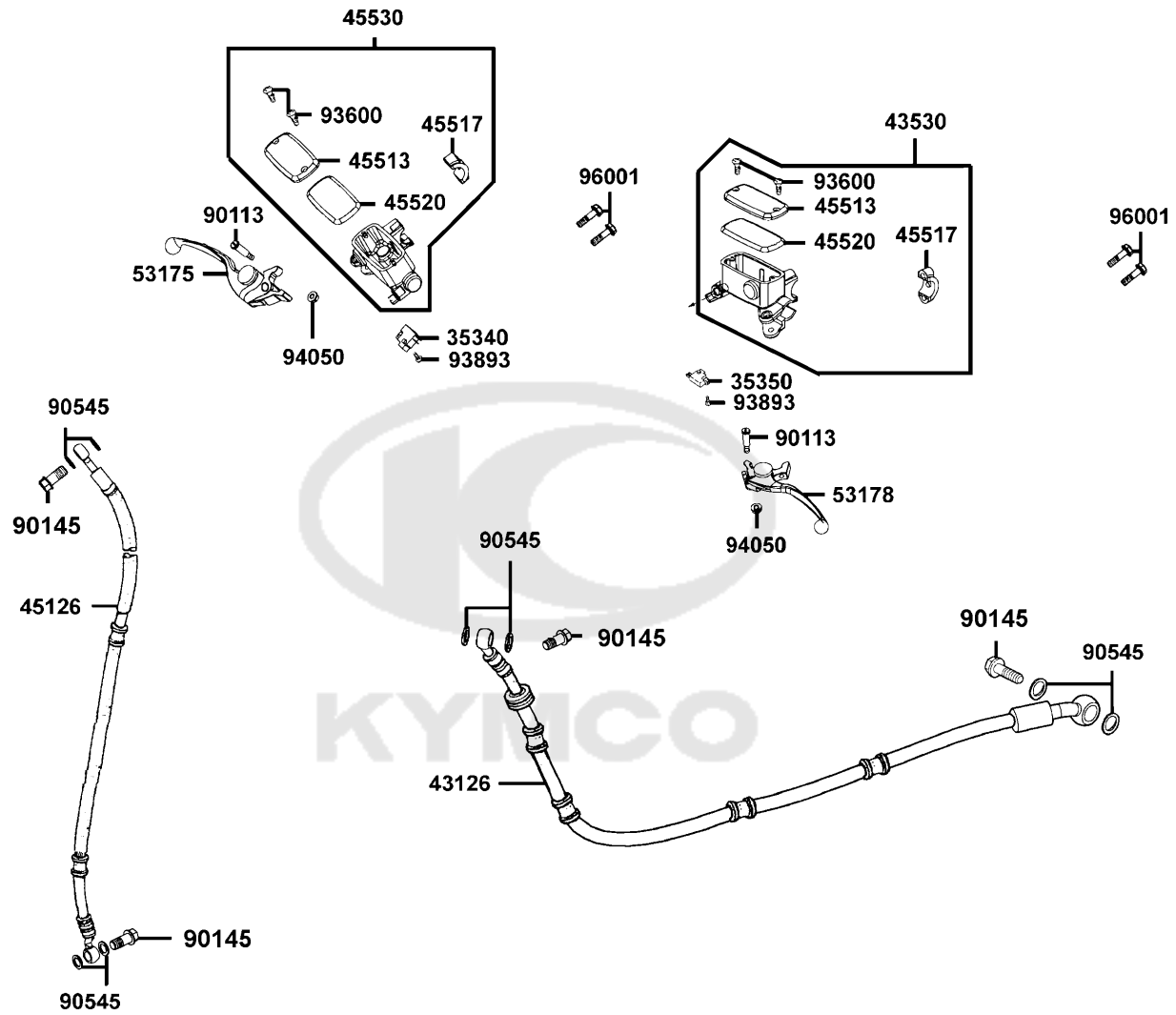


Sales mark	Ref no	Part no	Description	Reg description	Regd no	F03
**	64223	64223-LEA7-E00	PLUG WIND SCREEN	PLUG WIND SCREEN	1	
	64224	64224-LEA7-E00	COLLAR WIND SCREEN	COLLAR WIND SCREEN	4	
	64225	64225-LEA7-E00	SPRING COSMETIC K-LOGO	SPRING COSMETIC K-LOGO	1	
	64226	64226-LEA7-E00	COSMETIC K-LOGO	COSMETIC K-LOGO	1	
	8376A	8376A-KEBE-900	CLIP ASSY CENTER	CLIP ASSY CENTER	1	
**	87508	87508-KKC4-E00	LABEL CLEANNESS CAUYION	LABEL CLEANNESS CAUYION	1	
**	88110	88110-LEA7-E00	MIRROR ASSY.R/H BACK	MIRROR ASSY.R/H BACK	1	
**	88120	88120-LEA7-E00	MIRROR ASSY.L/H BACK	MIRROR ASSY.L/H BACK	1	
	88130	88130-KEBE-900	BOLT SPECIAL	BOLT SPECIAL	1	
	90104	90104-LEA7-E00	BOLT WASH.,M8*60	BOLT WASH.,M8*60	2	
	90106	90106-GEN5-901	BOLT FLANGE 10*50	BOLT FLANGE 10*50	1	
	90302-LKB9	90302-LKB9-910	NUT SPRING 5MM	NUT SPRING 5MM	1	
	90302-LLB1	90302-LLB1-E00	BOLT WASH 5*12	BOLT WASH 5*12	2	
	90302-SDA4	90302-SDA4-004	NUT SPRING 4MM	NUT SPRING 4MM	4	
	90304	90304-GHE8-004	NUT U 10MM	NUT U 10MM	1	
	90312	90312-LLJ3-E01	COLLAR WIND SCREEN	COLLAR WIND SCREEN	1	
	90652	90652-LFB5-900	CLIP MUDGUARD	CLIP MUDGUARD	2	
	93404	93404-06016-06	BOLT WASHER 6*16	BOLT WASHER 6*16	3	
	93903-34260	93903-34260	SCREW TAPPING 4*10	SCREW TAPPING 4*10	2	
	93903-34360	93903-34360	SCREW TAPPING 4*12	SCREW TAPPING 4*12	4	

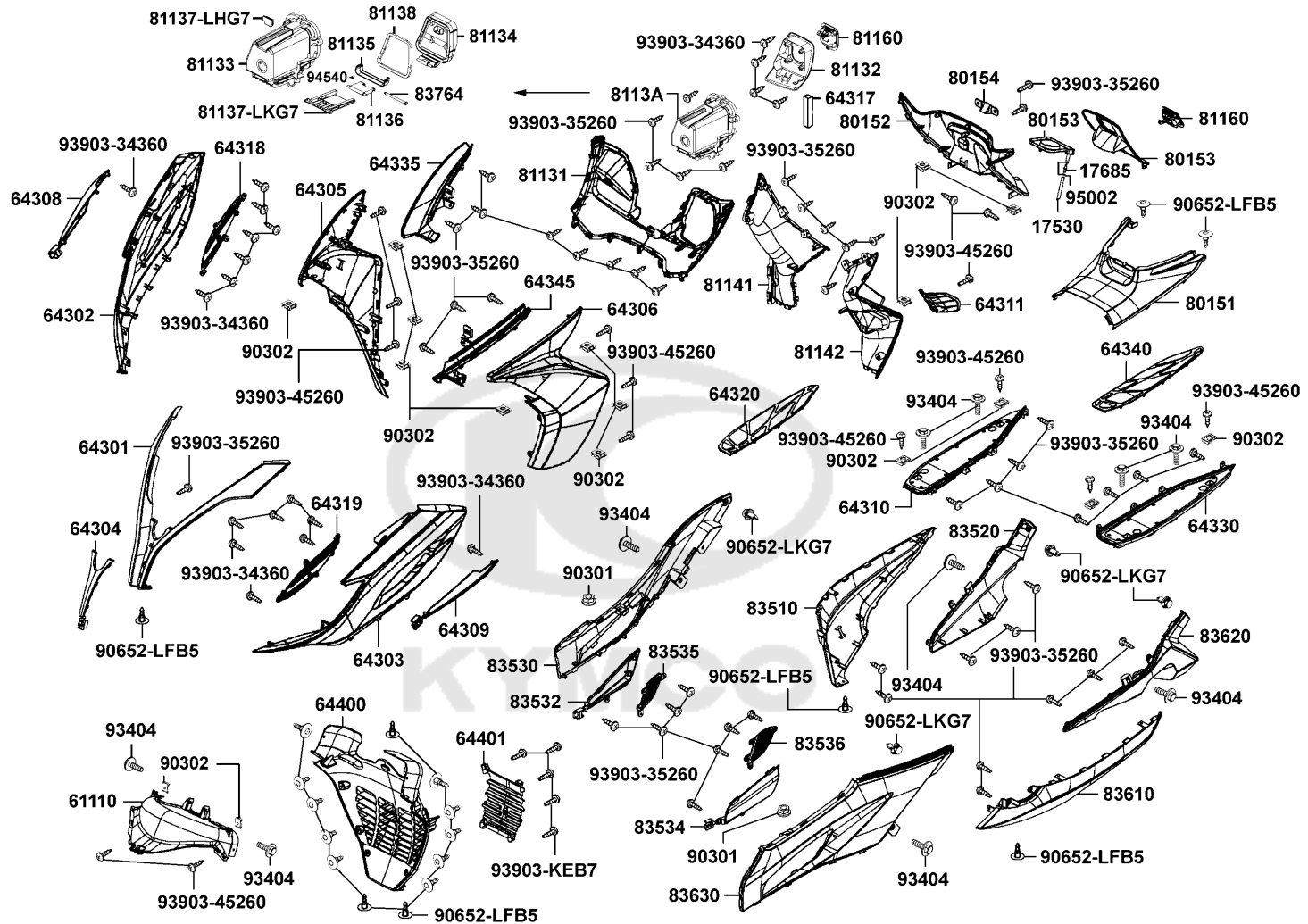


Sales mark	Ref no	Part no	Description	Reg description	Regd no	F03
	93903-35260	93903-35260	SCREW TAPPING 5*12	SCREW TAPPING 5*12	4	
	93903-45260	93903-45260	SCREW TAPPING 5*12	SCREW TAPPING 5*12	3	
	93903-GFY6	93903-GFY6-900	SCREW TAPP 4*14	SCREW TAPP 4*14	2	
	93903-KEB7	93903-KEB7-900-06	SCREW WASHER 4MM	SCREW WASHER 4MM	1	
	95701	95701-06016-06	BOLT FLANGE 6*16	BOLT FLANGE 6*16	1	
	95801	95801-08025-06	BOLT FLANGE 8*25	BOLT FLANGE 8*25	4	

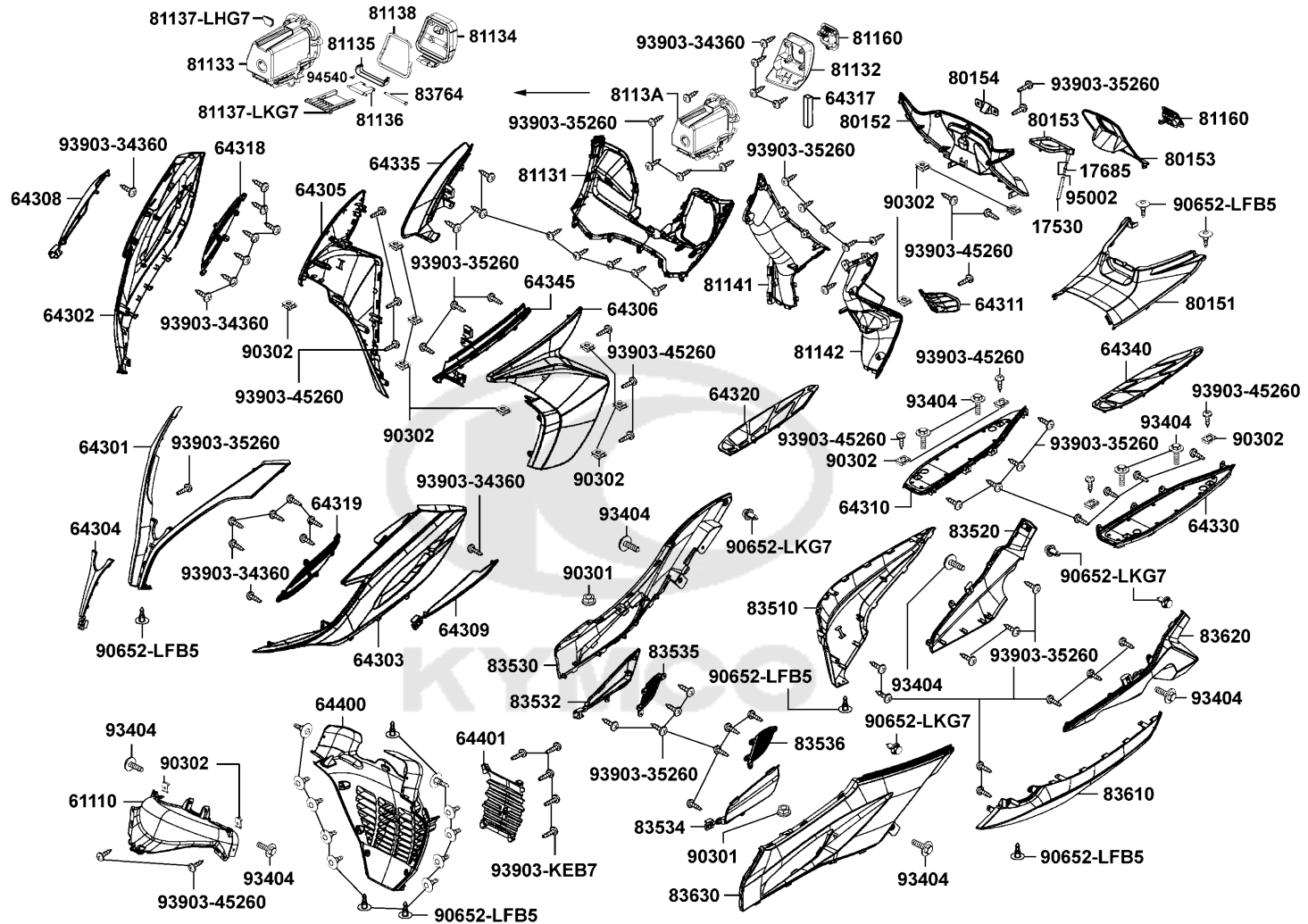




Sales mark	Ref no	Part no	Description	Reg description	Regd no	F04
	35340	35340-KNBN-901	SW ASSY FR STOP	SW ASSY FR STOP	1	
	35350	35350-KNBN-901	SW ASSY RR STOP	SW ASSY RR STOP	1	
	43126	43126-LKG7-E00	HOSE ASSY RR BRK	HOSE ASSY RR BRK	1	
	43530	43530-LEA7-305	CYLINDER SET MASTER	CYLINDER SET MASTER	1	
	45126	45126-LKG7-E00	HOSE ASSY FR BRAKE	HOSE ASSY FR BRAKE	1	
	45513	45513-LEA7-E00	CAP MASTER CYLINDER	CAP MASTER CYLINDER	2	
	45517	45517-LBA2-E00	HOLDER. M/C	HOLDER. M/C	2	
	45520	45520-KKA8-900	DIAPHRAGM	DIAPHRAGM	2	
	45530	45530-LBA2-309	CYLINDER SET FR MASTER	CYLINDER SET FR MASTER	1	
**	53175	53175-LKF5-E00	LEVER R STRG HANDLE	LEVER R STRG HANDLE	1	
**	53178	53178-LKF5-E00	LEVER L STRG HANDLE	LEVER L STRG HANDLE	1	
	90113	90113-KKA8-900	BOLT HANDLE LEVER	BOLT HANDLE LEVER	2	
	90145	90145-MKS9-61A	OIL BOLT 10*22	OIL BOLT 10*22	4	
	90545	90545-3L00-001	WASHER OIL BOLT	WASHER OIL BOLT	8	
	93600	93600-04012-1G	SCREW FLAT 4*12	SCREW FLAT 4*12	4	
	93893	93893-04012-18	SCREW WASHER 4*12	SCREW WASHER 4*12	2	
	94050	94050-06060	NUT FLANGE 6MM	NUT FLANGE 6MM	2	
	96001	96001-06028-06	BOLT FLANGE SH 6*28	BOLT FLANGE SH 6*28	4	

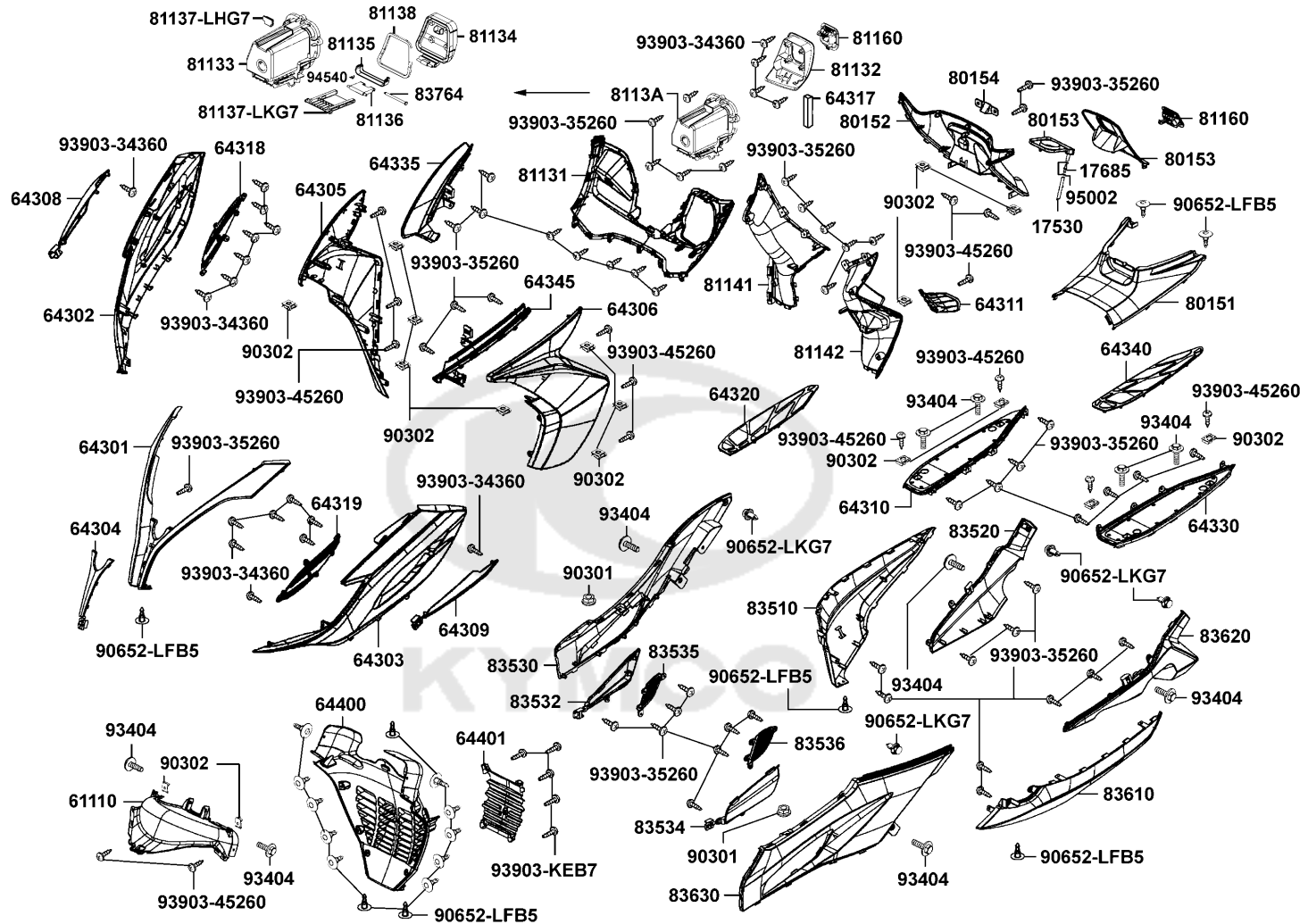


Sales mark	Ref no	Part no	Description	Reg description	Regd no	F05
	17530	17530-KGB5-900	TUBE ASSY DRAIN	TUBE ASSY DRAIN	1	
	17685	17685-KZCZ-900	JOINT TUBE	JOINT TUBE	1	
**	61110	61110-LKG7-E00	COVER INNER FR COVER	COVER INNER FR COVER	1	
**	64301	64301-LKG7-E00	FR COVER	FR COVER	1	
**	64302	64302-LKG7-E00	MOLDING R/H A SIDE	MOLDING R/H A SIDE	1	
**	64303	64303-LKG7-E00	MOLDING L/H A SIDE	MOLDING L/H A SIDE	1	
**	64304	64304-LKG7-E00	TOP COVER FR	TOP COVER FR	1	
**	64305	64305-LKG7-E00	SKIRT R/H SIDE	SKIRT R/H SIDE	1	
**	64306	64306-LKG7-E00	SKIRT L/H SIDE	SKIRT L/H SIDE	1	
**	64308	64308-LKG7-E00	BOARDR H FR COVER	BOARDR H FR COVER	1	
**	64309	64309-LKG7-E00	BOARD L H FR COVER	BOARD L H FR COVER	1	
**	64310	64310-LKG7-E00	PANEL FLOOR R/H	PANEL FLOOR R/H	1	
**	64311	64311-LKG7-E00	LID RESERVE TANK	LID RESERVE TANK	1	
**	64317	64317-LKG7-E00	SPONGE FR INNER BOX OUTER LID	SPONGE FR INNER BOX OUTER LID	1	
**	64318	64318-LKG7-E00	GRILL R H FR COVER	GRILL R H FR COVER	1	
**	64319	64319-LKG7-E00	GRILL L H FR COVER	GRILL L H FR COVER	1	
**	64320	64320-LKG7-E00	MAT FLOOR	MAT FLOOR	1	
**	64330	64330-LKG7-E00	PANEL FLOOR L/H	PANEL FLOOR L/H	1	
**	64335	64335-LKG7-E00	COVER R/H SIDE SKIRT	COVER R/H SIDE SKIRT	1	
**	64340	64340-LKG7-E00	MAT L H FLOOR	MAT L H FLOOR	1	



Sales mark	Ref no	Part no	Description	Reg description	Regd no	F05
**	64345	64345-LKG7-E00	COVER L/H SIDE SKIRT	COVER L/H SIDE SKIRT	1	
**	64400	64400-LKG7-E00	COWL UNDER	COWL UNDER	1	
	64401	64401-LKG7-E00	MESH UNDER COWL	MESH UNDER COWL	1	
**	80151	80151-LKG7-E00	COVER CENTER	COVER CENTER	1	
**	80152	80152-LKG7-E00	COVER CENTER UP	COVER CENTER UP	1	
**	80153	80153-LKG7-E00	LID FUEL CAP MAINT	LID FUEL CAP MAINT	1	
	80154	80154-LKG7-E00	LOCK STAY FUEL CAP MAINT	LOCK STAY FUEL CAP MAINT	1	
**	81131	81131-LKG7-E00	LEG SHIELD	LEG SHIELD	14	
**	81132	81132-LKG7-E00	OUTER LID FR INNER BOX	OUTER LID FR INNER BOX	1	
**	81133	81133-LKG7-E00	CASE FR INNER BOX	CASE FR INNER BOX	1	
**	81134	81134-LKG7-E00	COVER INNER CAP BLID	COVER INNER CAP BLID	1	
**	81135	81135-LKG7-E00	RETAIN PLATE INNER BOX	RETAIN PLATE INNER BOX	1	
	81136	81136-LKG7-E00	SLIDE A INNER BOX	SLIDE A INNER BOX	1	
	81137-LHG7	81137-LHG7-E00	PLUG INNER BOX	PLUG INNER BOX	1	
	81137-LKG7	81137-LKG7-E00	SLIDE B INNER BOX	SLIDE B INNER BOX	1	
	81138	81138-LKG7-E00	SPONGE INNER BOX	SPONGE INNER BOX	1	
**	8113A	8113A-LKG7-E00	ASSY FR INNER BOX	ASSY FR INNER BOX	12	
**	81141	81141-LKG7-E00	LEG SHIELD R/H LOW	LEG SHIELD R/H LOW	1	
**	81142	81142-LKG7-E00	LEG SHIELD L/H LOW	LEG SHIELD L/H LOW	1	
	81160	81160-LKG7-E00	LOCK ASSY FR INNER BOX	LOCK ASSY FR INNER BOX	1	

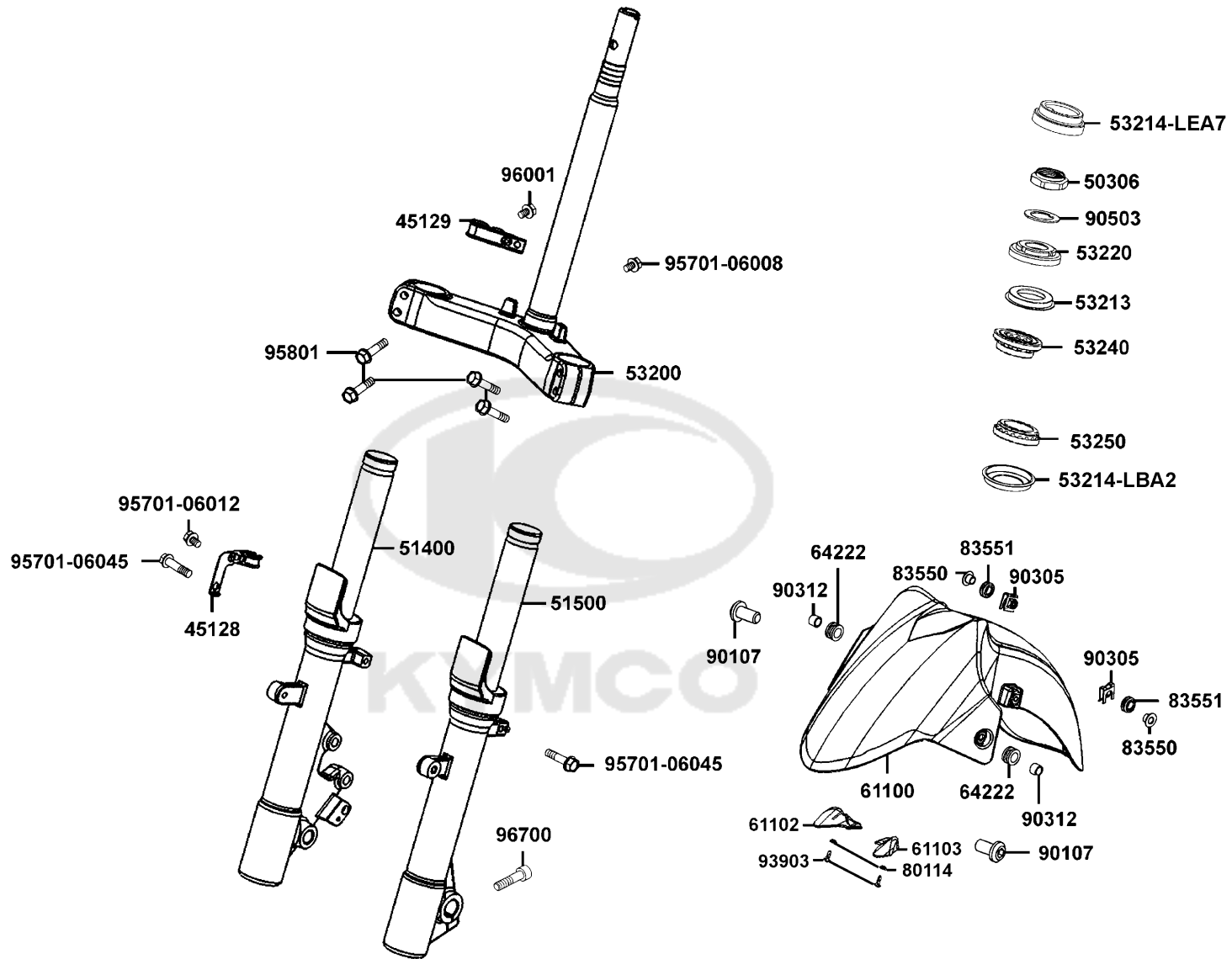
Sales mark	Ref no	Part no	Description	Reg description	Regd no	F05
**	83510	83510-LKG7-E00	COVER SIDE R/H	COVER SIDE R/H	1	
**	83520	83520-LKG7-E00	MOLD R/H SIDE	MOLD R/H SIDE	1	
**	83530	83530-LKG7-E00	BOARD A SIDE R/H	BOARD A SIDE R/H	1	
**	83532	83532-LKG7-E00	BOARD B R SIDE	BOARD B R SIDE	1	
**	83534	83534-LKG7-E00	BOARD B L SIDE	BOARD B L SIDE	1	
**	83535	83535-LKG7-E00	GRILL R SIDE	GRILL R SIDE	1	
**	83536	83536-LKG7-E00	GRILL L SIDE	GRILL L SIDE	1	
**	83610	83610-LKG7-E00	COVER SIDE L/H	COVER SIDE L/H	1	
**	83620	83620-LKG7-E00	MOLD L/H SIDE	MOLD L/H SIDE	1	
**	83630	83630-LKG7-E00	BOARD A SIDE L/H	BOARD A SIDE L/H	1	
	83764	83764-LKG7-E00	PIN INNER BOX	PIN INNER BOX	1	
	90301	90301-6D34-671	NUT FLANGE 6MM	NUT FLANGE 6MM	2	
	90302	90302-LKB9-900	NUT SPRING 5MM	NUT SPRING 5MM	17	
	90652-LFB5	90652-LFB5-900	CLIP MUDGUARD	CLIP MUDGUARD	18	
	90652-LKG7	90652-LKG7-E00	CILP SIDE COVER	CILP SIDE COVER	4	
	93404	93404-06016-06	BOLT WASHER 6*16	BOLT WASHER 6*16	10	
	93903-34360	93903-34360	SCREW TAPPING 4*12	SCREW TAPPING 4*12	20	
	93903-35260	93903-35260	SCREW TAPPING 5*12	SCREW TAPPING 5*12	51	
	93903-45260	93903-45260	SCREW TAPPING 5*12	SCREW TAPPING 5*12	15	
	93903-KEB7	93903-KEB7-900-06	SCREW WASHER 4MM	SCREW WASHER 4MM	5	



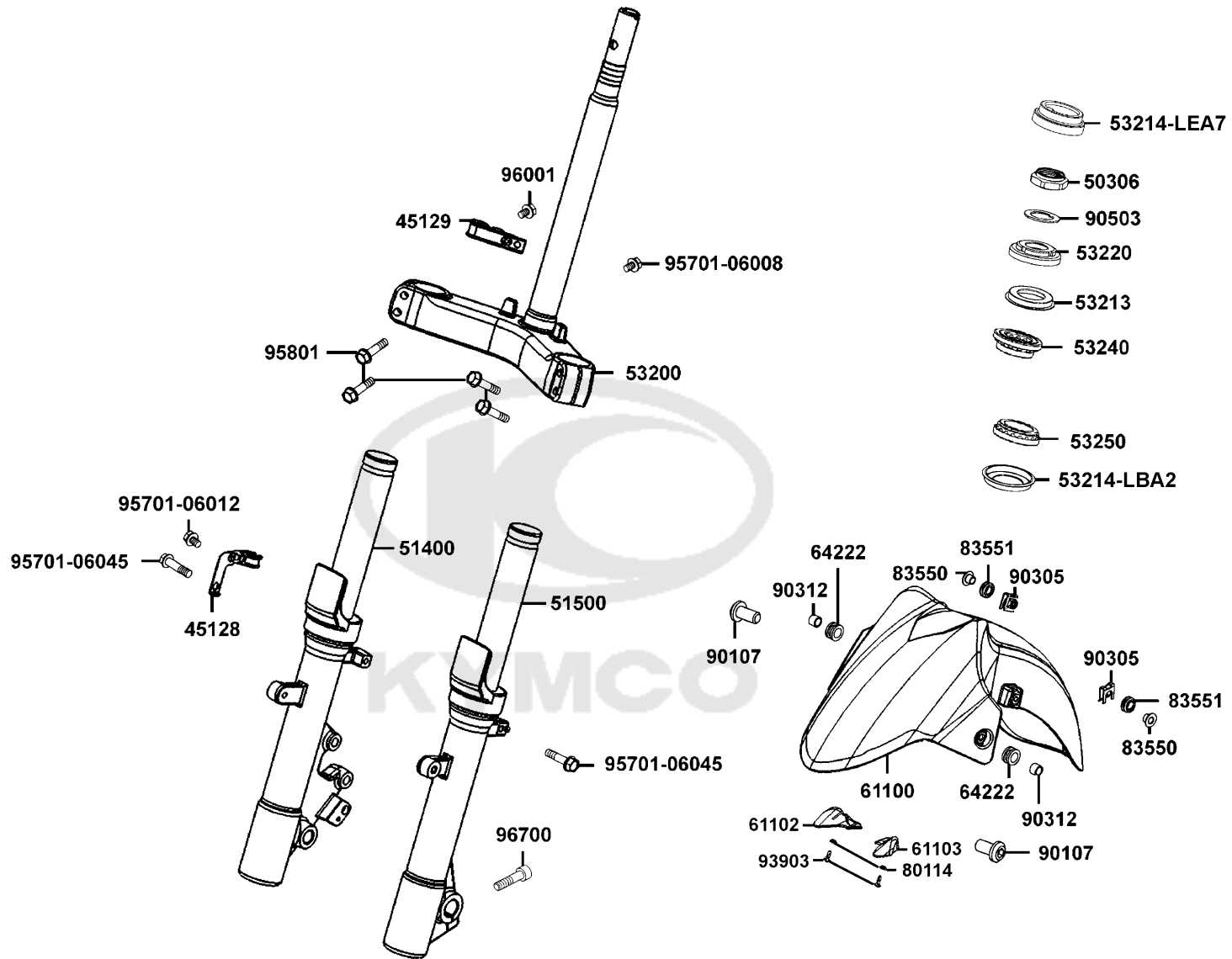
Sales mark	Ref no	Part no	Description	Reg description	Regd no	F05
------------	--------	---------	-------------	-----------------	---------	------------

94540	94540-05018	94540-05018	E RING 5	E RING 5	1	
95002	95002-02080	95002-02080	CLIP B8 CHAMBER TUBE	CLIP B8 CHAMBER TUBE	2	

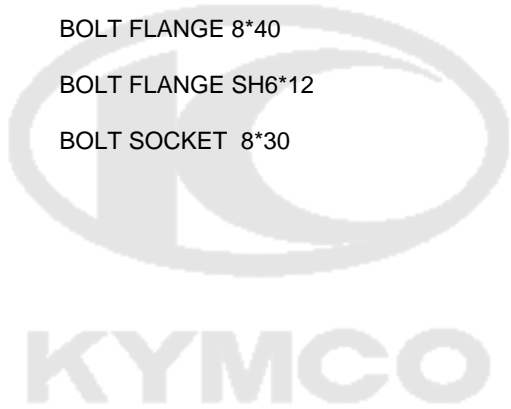




Sales mark	Ref no	Part no	Description	Reg description	Regd no	F06
	45128	45128-LBA2-920	CLAMPER FR BRK HOSE	CLAMPER FR BRK HOSE	1	
	45129	45129-LBA2-900	CLAMPER FR BRK HOSE	CLAMPER FR BRK HOSE	1	
	50306	50306-1F96-001	NUT STRG STEM LOCK	NUT STRG STEM LOCK	1	
**	51400	51400-LKG7-E00	FORK ASSY FR R	FORK ASSY FR R	1	
**	51500	51500-LKG7-E00	FORK ASSY FR L	FORK ASSY FR L	1	
	53200	53200-LKG7-E00	STEM COMP., STRG	STEM COMP., STRG	1	
	53213	53213-LBA2-E00	DUST SEAL STRG HEAD TOP	DUST SEAL STRG HEAD TOP	1	
	53214-LBA2	53214-LBA2-E00	DUST SEAL STRG (HEAD)	DUST SEAL STRG (HEAD)	1	
	53214-LEA7	53214-LEA7-E00	DUST SEAL STRG HEAD BOT	DUST SEAL STRG HEAD BOT	1	
	53220	53220-LBA2-E00	THREAD COMP STRG HEAD TOP	THREAD COMP STRG HEAD TOP	1	
	53240	53240-LBA2-E00	BEARING TOT STRG	BEARING TOT STRG	1	
	53250	53250-LBA2-E00	BEARING BOT STRG	BEARING BOT STRG	1	
**	61100	61100-LKG7-E00	FENDER FR	FENDER FR	1	
	61102	61102-LEA7-E00	RUBBER FR FENDER R	RUBBER FR FENDER R	1	
	61103	61103-LEA7-E00	RUBBER FR FENDER L	RUBBER FR FENDER L	1	
	64222	64222-LLJ3-E00	RUBBER WIND SCREEN	RUBBER WIND SCREEN	2	
	80114	80114-KGG7-001	COLLAR RR FENDER	COLLAR RR FENDER	2	
	83550	83550-KEC8-900	COLLAR	COLLAR	2	
	83551	83551-KEC8-900	GROMMET COVER	GROMMET COVER	2	
	90107	90107-LEA7-E00	BOLT SPECIAL 8MM	BOLT SPECIAL 8MM	2	

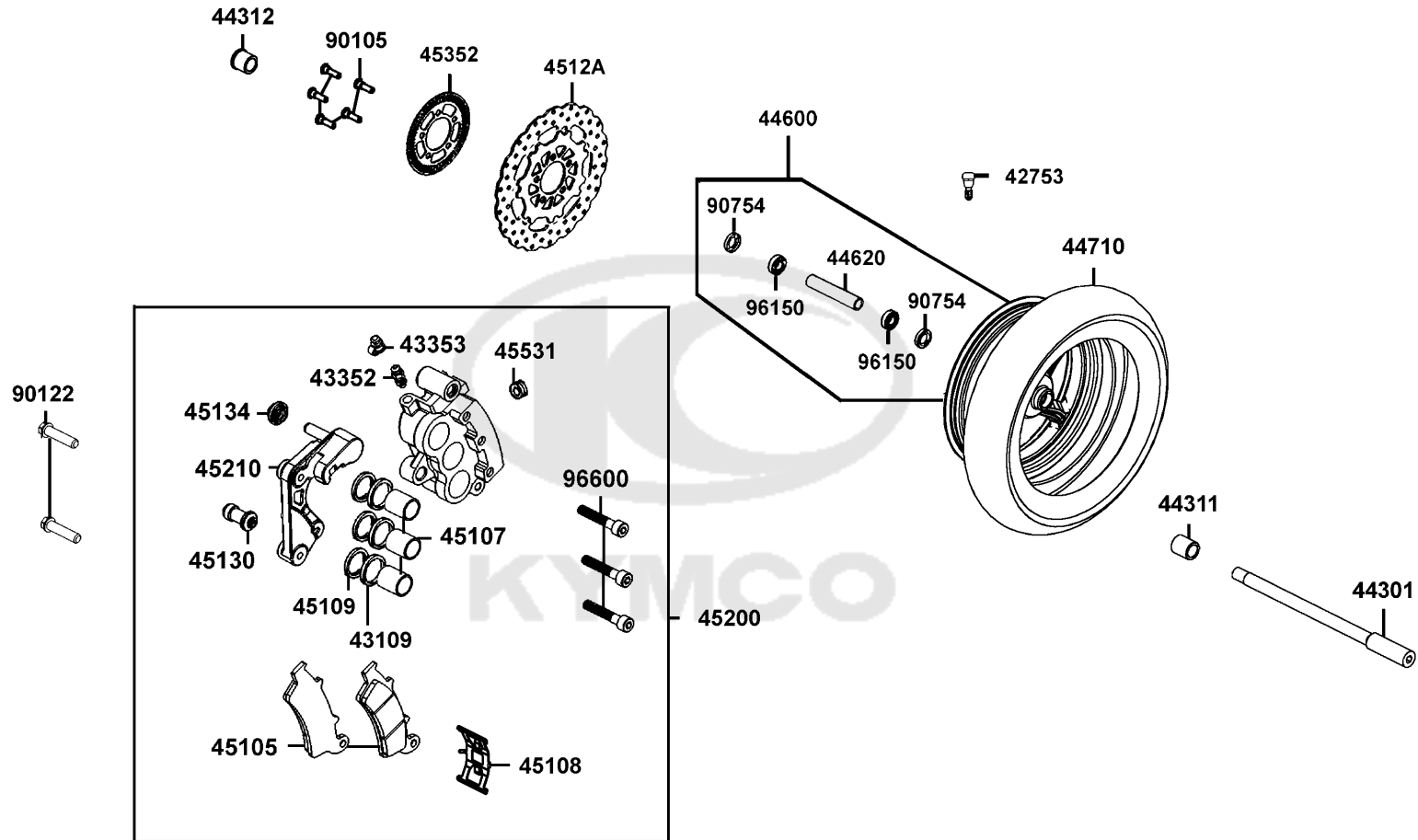


Sales mark	Ref no	Part no	Description	Reg description	Regd no	F06
90305		90305-LBA2-E00	NUT CLIP 6MM	NUT CLIP 6MM	2	
90312		90312-LLJ3-E01	COLLAR WIND SCREEN	COLLAR WIND SCREEN	2	
90503		90503-LEA7-E00	WASHER STRG STEM NUT	WASHER STRG STEM NUT	1	
93903		93903-35360	SCREW TAPPING 5*16	SCREW TAPPING 5*16	2	
95701-06008		95701-06008-06	BOLT FLANGE 6*8	BOLT FLANGE 6*8	1	
95701-06012		95701-06012-06	BOLT FLANGE 6*12	BOLT FLANGE 6*12	1	
95701-06045		95701-06045-06	BOLT FLANGE 6*45	BOLT FLANGE 6*45	2	
95801		95801-08040-08	BOLT FLANGE 8*40	BOLT FLANGE 8*40	4	
96001		96001-06012-06	BOLT FLANGE SH6*12	BOLT FLANGE SH6*12	1	
96700		96700-KED9-900	BOLT SOCKET 8*30	BOLT SOCKET 8*30	1	



F07

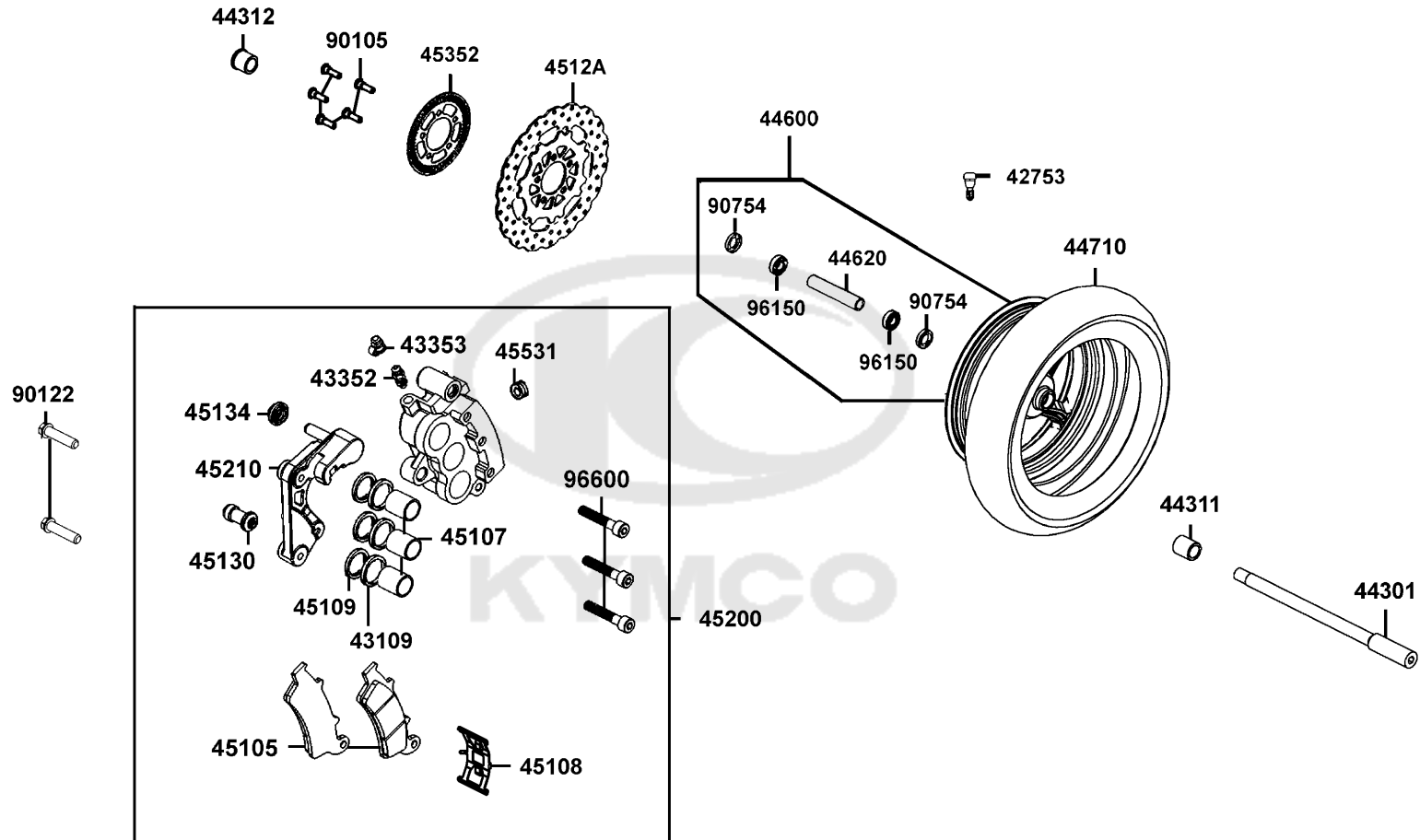
Front Wheel



Sales mark	Ref no	Part no	Description	Reg description	Regd no	F07
	42753	42753-KNBN-90B	VALVE RIM (TR412)	VALVE RIM (TR412)	1	
	43109	43109-GBE2-007	SEAL PISTON	SEAL PISTON	3	
	43352	43352-KED9-900	BREATHER	BREATHER	1	
	43353	43353-KED9-900	CAP-BREATHER	CAP-BREATHER	1	
	44301	44301-LEA7-E00	AXLE. FR WHEEL	AXLE. FR WHEEL	1	
	44311	44311-LEA7-E00	COLLAR FR WHEEL SIDE	COLLAR FR WHEEL SIDE	1	
	44312	44312-LEA7-E00	COLLAR FR WHEEL SIDE	COLLAR FR WHEEL SIDE	1	
**	44600	44600-LEA7-305	WHEEL ASSY FR	WHEEL ASSY FR	1	
	44620	44620-LEA7-E00	COLLAR FR WHEEL DISTANCE	COLLAR FR WHEEL DISTANCE	1	
	44710	44710-LKG7-E00	TIRE ASSY FR 120/70-14	TIRE ASSY FR 120/70-14	1	
	45105	45105-LGE5-305	PAD SET	PAD SET	1	
	45107	45107-LGE5-E00	PIN HANGER	PIN HANGER	3	
	45108	45108-LGE5-E00	SPRING PAD	SPRING PAD	1	
	45109	45109-GBE2-007	DUST SEAL	DUST SEAL	3	
	4512A	4512A-LEA7-E00	DISK COMP FR BRAKE	DISK COMP FR BRAKE	1	
	45130	45130-LGE5-E00	PUSH BOOT PIN	PUSH BOOT PIN	1	
	45134	45134-KED9-900	BOOT B	BOOT B	1	
**	45200	45200-LKG7-E00	CALIPER ASSY FR	CALIPER ASSY FR	1	
**	45210	45210-LKG7-305	BRACKET ASSY FR	BRACKET ASSY FR	1	
	45352	45352-LEA7-E00	TOOTHED RING SENSOR	TOOTHED RING SENSOR	1	

F07

Front Wheel

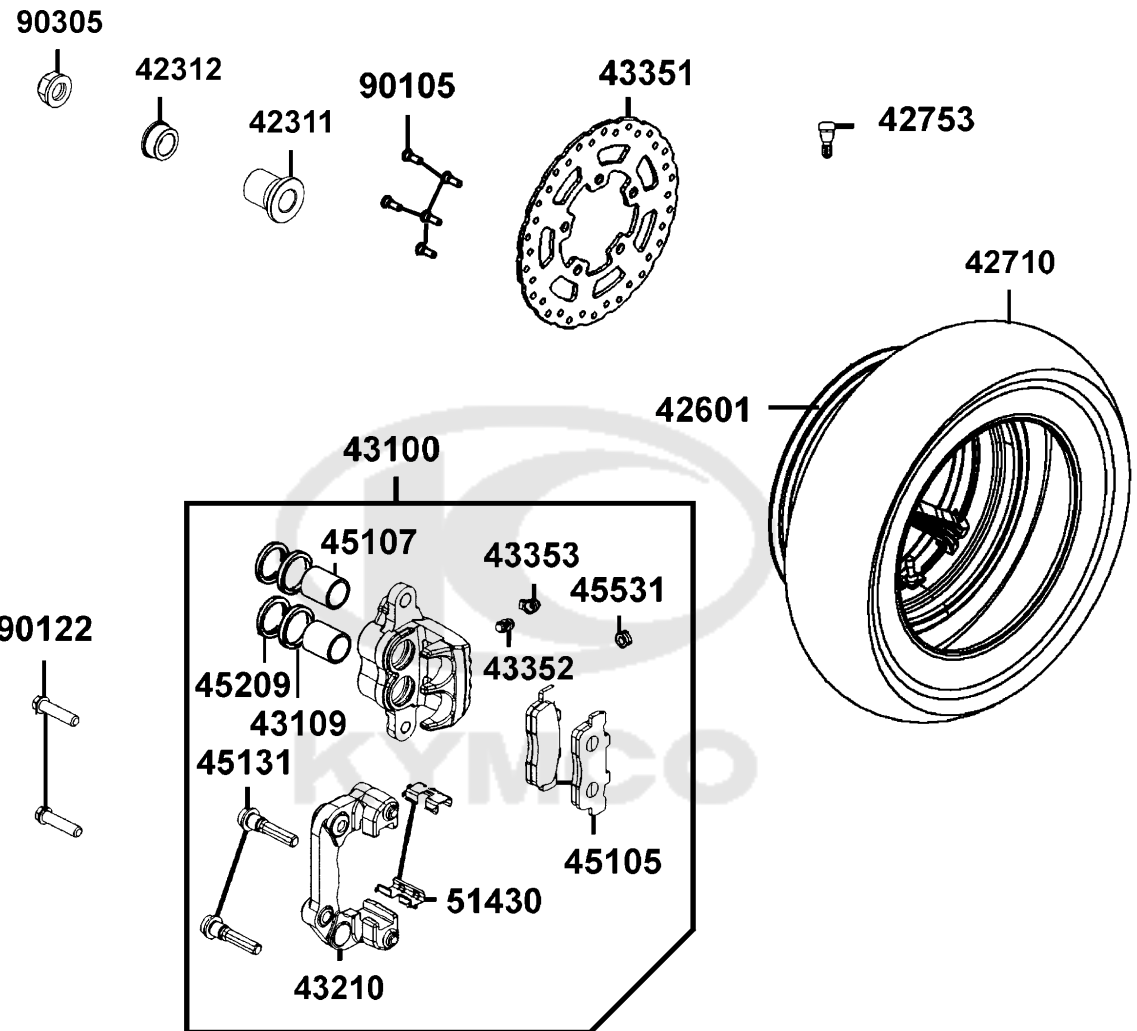


Sales mark	Ref no	Part no	Description	Reg description	Regd no	F07
45531		45531-KED9-900	PLUG	PLUG	1	
90105		90105-LEA7-E00	BOLT FR DISK 8x30	BOLT FR DISK 8x30	5	
90122		90122-LEA7-E00	BOLT FLANGE 10x42(Cr)	BOLT FLANGE 10x42(Cr)	2	
90754		90754-LLJ3-E00	DUST SEAL	DUST SEAL	2	
96150		96150-60020-10	BEARING BALL RADIAL 6002	BEARING BALL RADIAL 6002	2	
96600		96600-LGE5-E00	SOCKET BOLT	SOCKET BOLT	3	



F08

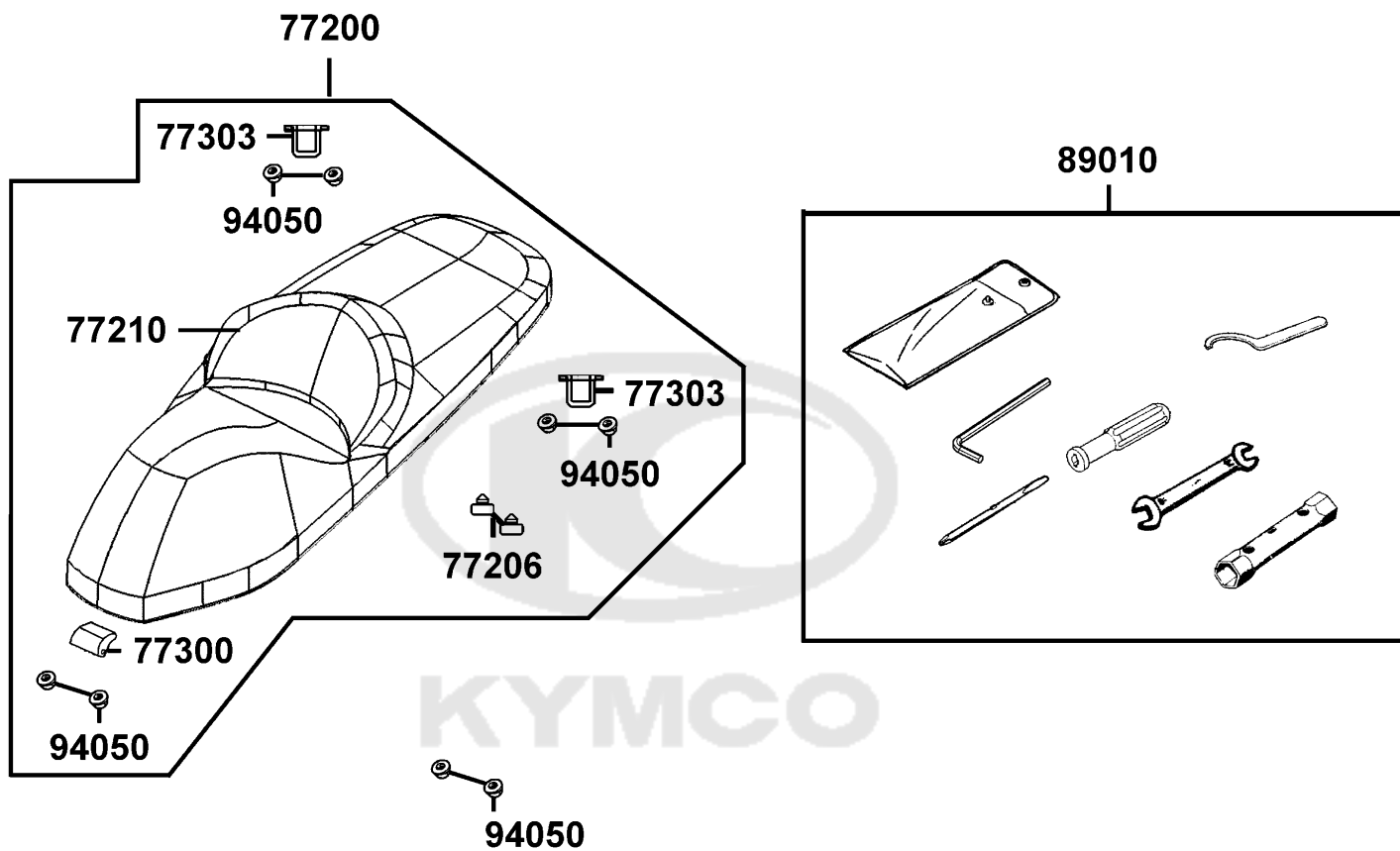
Rear Wheel



Sales mark	Ref no	Part no	Description	Reg description	Regd no	F08
	42311	42311-LKG7-E00	COLLAR RR AXLE SIDE A 30x37	COLLAR RR AXLE SIDE A 30x37	1	
	42312	42312-LKG7-E00	COLLAR RR AXLE SIDE	COLLAR RR AXLE SIDE	1	
**	42601	42601-LEA7-E00	WHEEL COMP RR	WHEEL COMP RR	1	
	42710	42710-LKG7-E00	TIRE ASSY RR 150/70-13	TIRE ASSY RR 150/70-13	1	
	42753	42753-KNBN-90B	VALVE RIM (TR412)	VALVE RIM (TR412)	1	
**	43100	43100-LKG7-E00	CALIPER ASSY RR	CALIPER ASSY RR	1	
	43109	43109-MCA3-007	SEAL PISTON	SEAL PISTON	2	
**	43210	43210-LKG7-E00	BRACKET	BRACKET	1	
	43351	43351-LKG7-E00	DISK RR BRAKE	DISK RR BRAKE	1	
	43352	43352-KKD6-E90	SCREW BLEEDER	SCREW BLEEDER	1	
	43353	43353-4A61-77A	CAP BLEEDER	CAP BLEEDER	1	
	45105	45105-LHG7-305	PAD SET	PAD SET	1	
	45107	45107-LLJ3-E00	PISTON	PISTON	1	
	45131	45131-LFB5-910	PIN BOLT	PIN BOLT	1	
	45209	45209-KED9-900	SEAL PISTON	SEAL PISTON	1	
	45531	45531-GAR1-951	PLUG	PLUG	1	
	51430	51430-LGE5-E02	SLIDE PAD	SLIDE PAD	1	
	90105	90105-KCR3-001	BOLT FR DISK 8*24	BOLT FR DISK 8*24	5	
	90122	90122-LEA7-E00	BOLT FLANGE 10x42(Cr)	BOLT FLANGE 10x42(Cr)	2	
	90305	90305-KKAK-900	NUT U FLANGE 16MM	NUT U FLANGE 16MM	1	

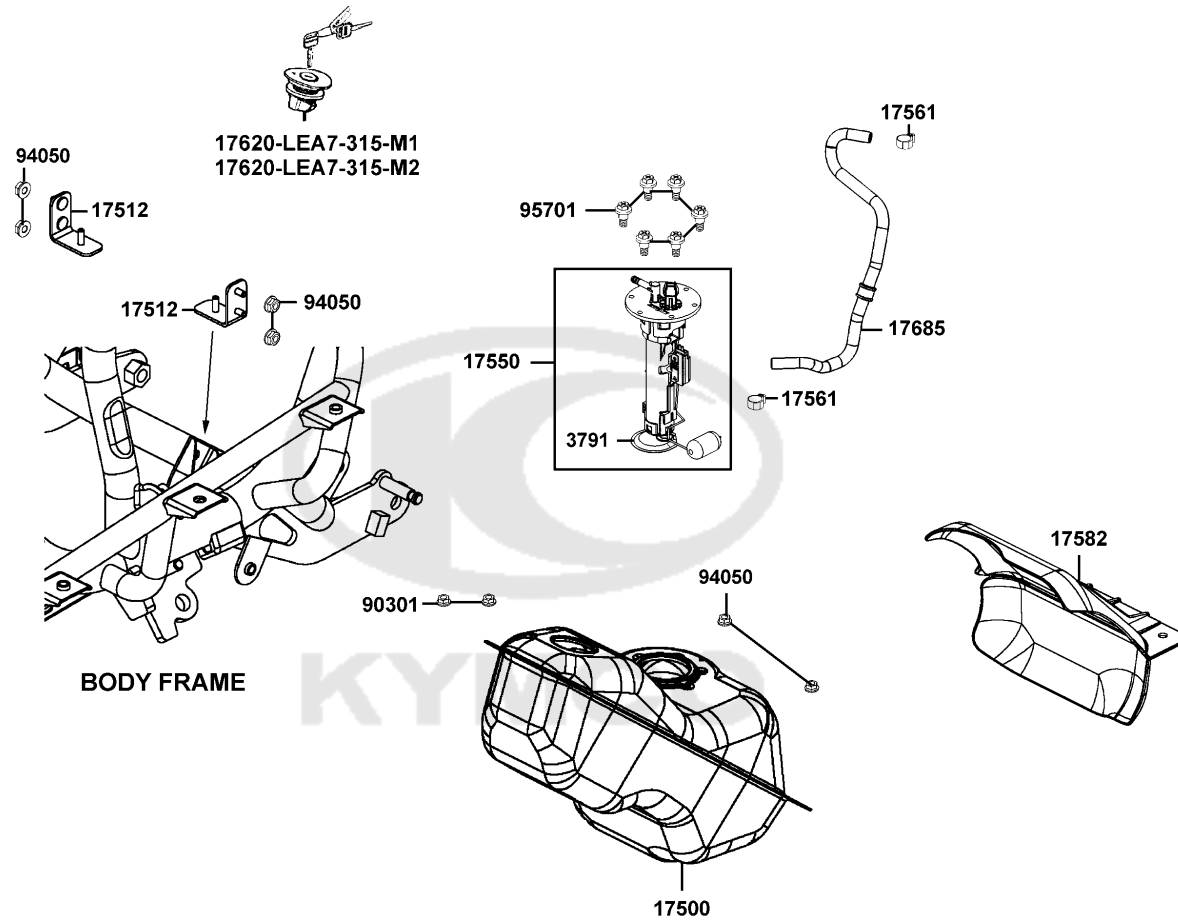
F09

Seat



Sales mark	Ref no	Part no	Description	Reg description	Regd no	F09
**	77200	77200-LKG7-E00	SEAT ASSY.	SEAT ASSY.	1	
	77206	77206-KEB7-900	RUBBER SEAT CUSH	RUBBER SEAT CUSH	2	
**	77210	77210-LKG7-E00	BACK SEAT ASSY.	BACK SEAT ASSY.	1	
	77300	77300-LHG8-E00	HINGE ASSY SEAT	HINGE ASSY SEAT	1	
	77303	77303-KKC4-800	HOOK SEAT LOCK	HOOK SEAT LOCK	1	
	89010	89010-LKF5-E00	TOOL SET	TOOL SET	14	
	94050	94050-06080	NUT FLANGE 6MM	NUT FLANGE 6MM	8	

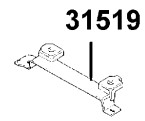




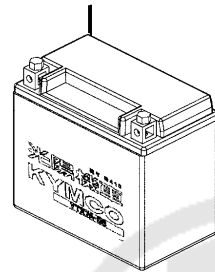
Sales mark	Ref no	Part no	Description	Reg description	Regd no	F10
	17500	17500-LKG7-E00	TANK COPM FUEL	TANK COPM FUEL	1	
	17512	17512-LKG7-E00	STAY FUEL TANK	STAY FUEL TANK	1	
	17550	17550-LEA7-800	FUEL PUMP MODULE ASSY	FUEL PUMP MODULE ASSY	1	
	17561	17561-LGE5-E00	CLIP 13.5	CLIP 13.5	2	
	17582	17582-LKG7-E00	HEAT GUARD COVER	HEAT GUARD COVER	1	
	17620-LEA7-315-M1	17620-LEA7-315-M1	CAP COMP FUEL FILLER	CAP COMP FUEL FILLER	1	
	17620-LEA7-315-M2	17620-LEA7-315-M2	CAP COMP FUEL FILLER	CAP COMP FUEL FILLER	1	
	17685	17685-LKG7-E00	TUBE FUEL PUMP	TUBE FUEL PUMP	1	
	3791	3791-HN80-0000	FILTER COMP	FILTER COMP	1	
	90301	90301-6D34-671	NUT FLANGE 6MM	NUT FLANGE 6MM	4	
	94050	94050-06060	NUT FLANGE 6MM	NUT FLANGE 6MM	4	
	95701	95701-LDF2-800	BOLT FLANGE M5*6.5	BOLT FLANGE M5*6.5	6	

F11

Battery



31500-LEA6-900
31500-LEA6-90B



98200-33000

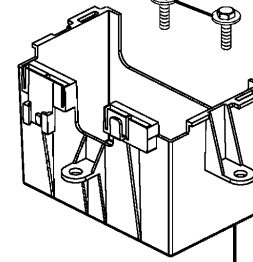


98200-31500



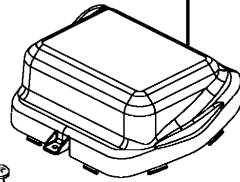
98200-31000

93404

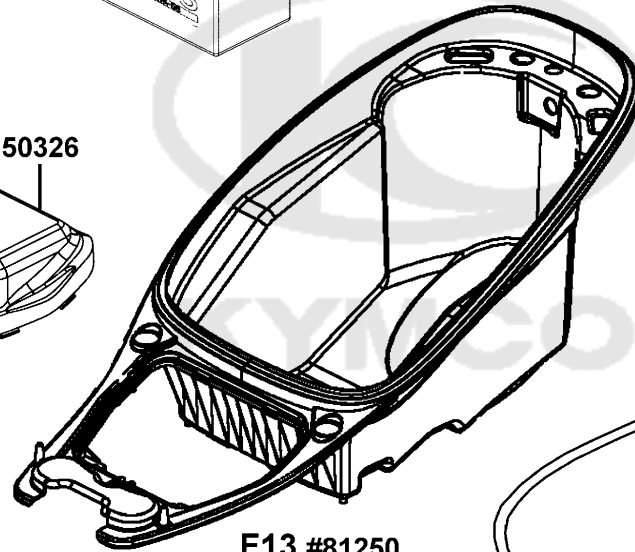


5032A

50326

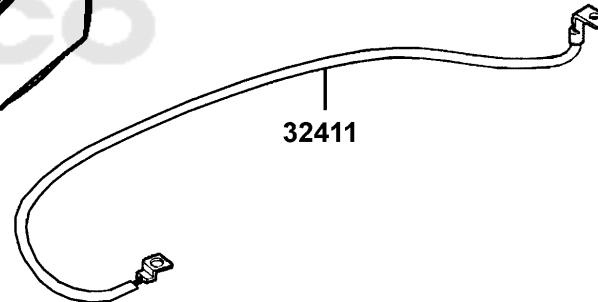


93903

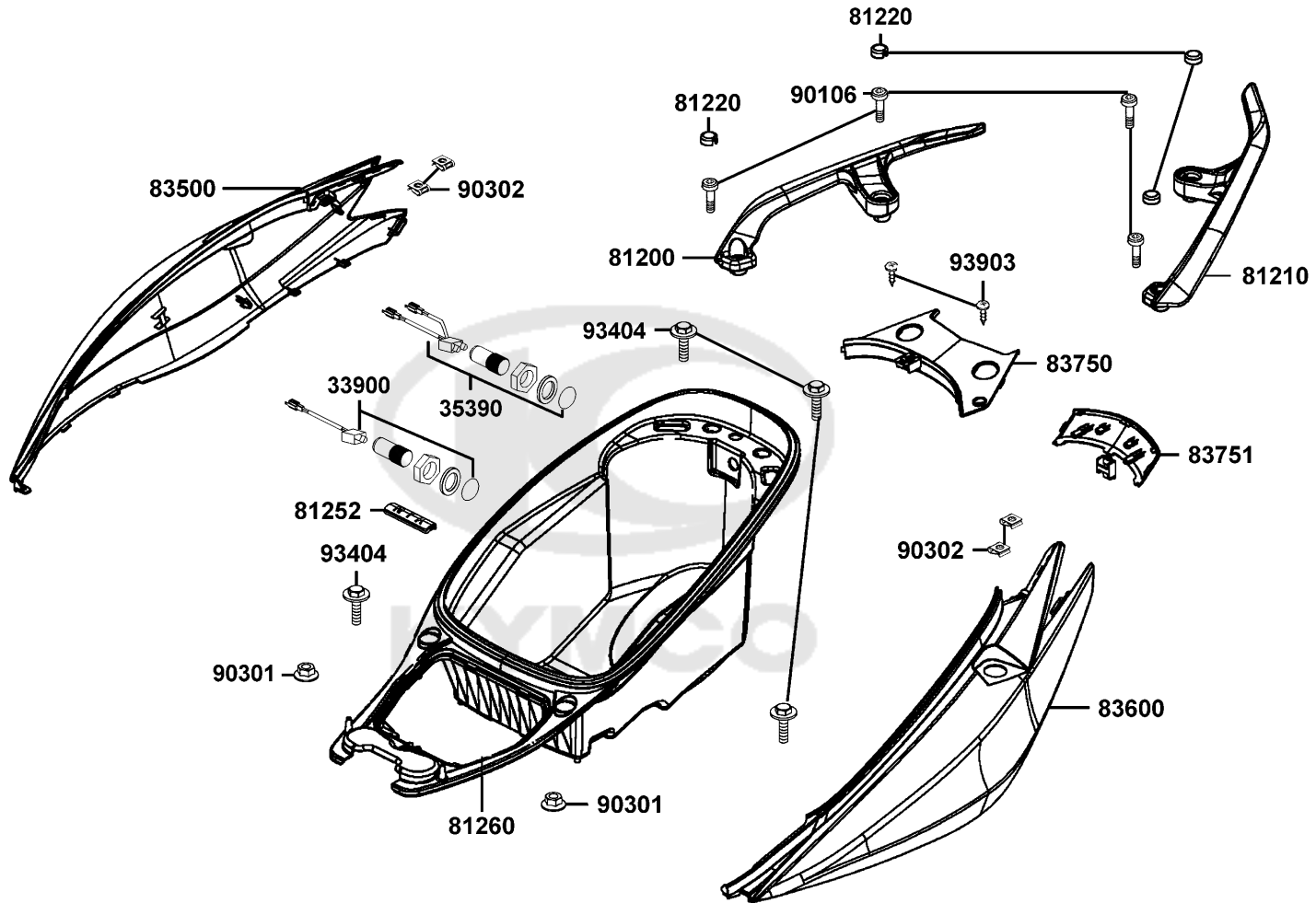


F13 #81250

32411



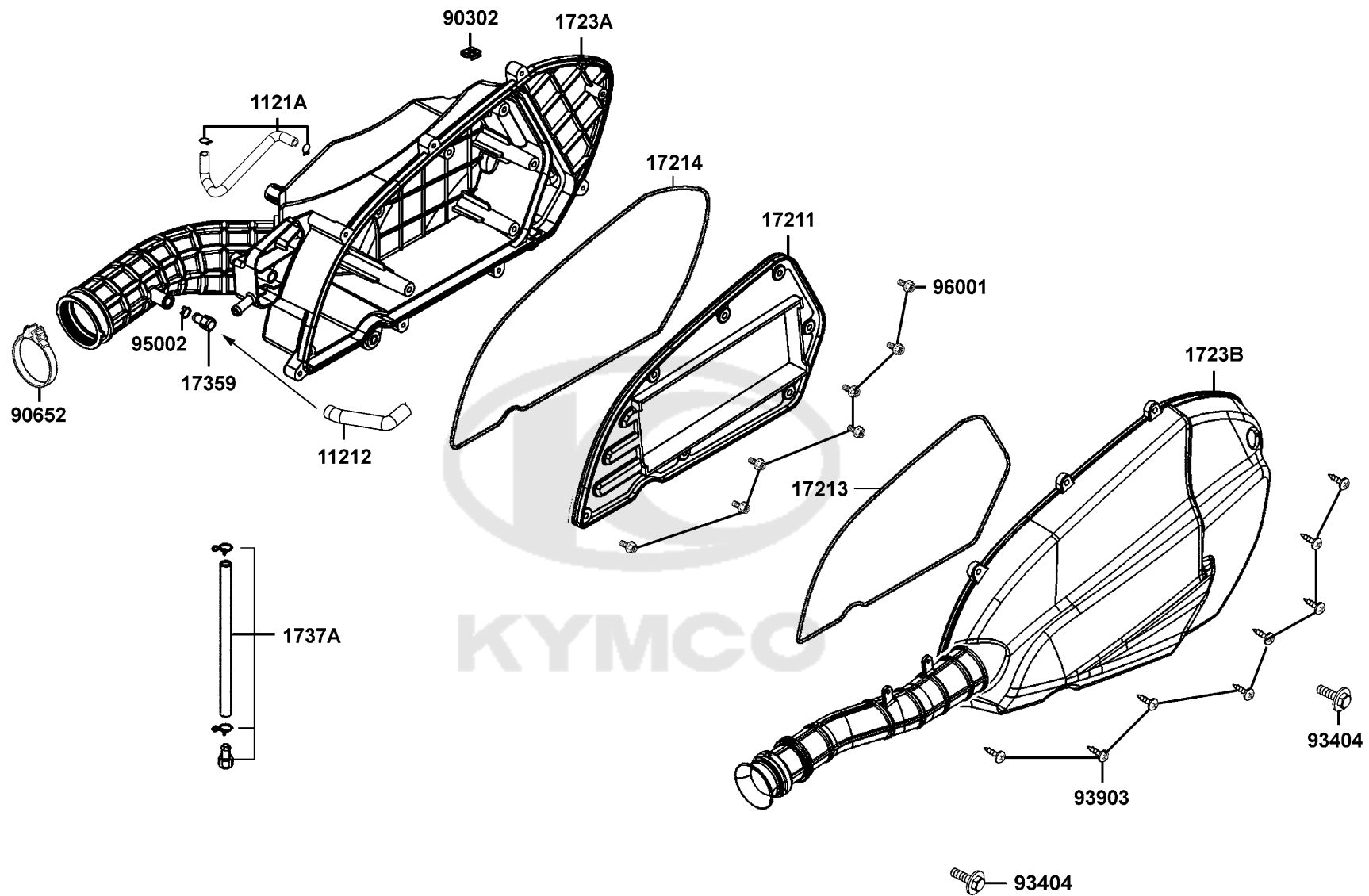
Sales mark	Ref no	Part no	Description	Reg description	Regd no	F11
	31500-LEA6-900	31500-LEA6-900	BATTERY 12A-BS	BATTERY 12A-BS	1	
	31500-LEA6-90B	31500-LEA6-90B	BATTERY GT12A-BS	BATTERY GT12A-BS	1	
	31519	31519-LKG7-E00	FIX STAY BATTERY	FIX STAY BATTERY	1	
	32411	32411-LKG7-E00	CABLE BAT	CABLE BAT	1	
**	50326	50326-LKG7-E00	COVER BATTERY	COVER BATTERY	1	
**	5032A	5032A-LKF5-E00	CASE ASSY BATTERY	CASE ASSY BATTERY	1	
	93404	93404-06012-06	BOLT WASHER 6*12	BOLT WASHER 6*12	3	
	93903	93903-45260	SCREW TAPPING 5*12	SCREW TAPPING 5*12	1	
	98200-31000	98200-31000	BLADE FUSE 10A	BLADE FUSE 10A	1	
	98200-31500	98200-31500	BLADE FUSE 15A	BLADE FUSE 15A	1	
	98200-33000	98200-33000	BLADE FUSE 30A	BLADE FUSE 30A	1	



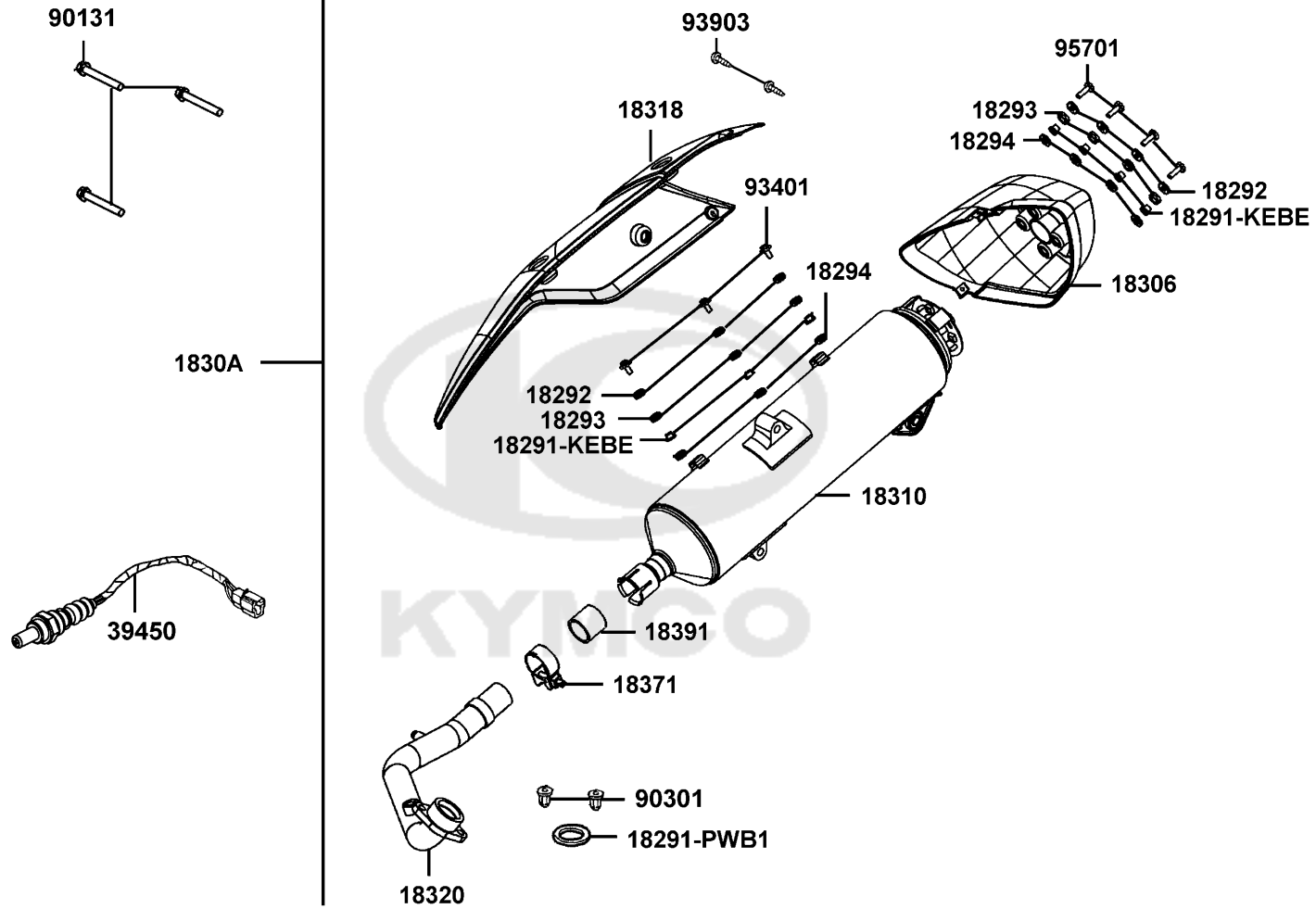
Sales mark	Ref no	Part no	Description	Reg description	Regd no	F12
	33900	33900-LKF5-E00	LIGHT ASSY.. LUGGAGE BOX	LIGHT ASSY.. LUGGAGE BOX	1	
	35390	35390-LKF5-E00	SENSOR.. LUGGAGE BOX LIGHT	SENSOR.. LUGGAGE BOX LIGHT	1	
**	81200	81200-LKG7-E00	GRIP COMP RR	GRIP COMP RR	1	
**	81210	81210-LKG7-E00	REAR GRIP LH	REAR GRIP LH	1	
**	81220	81220-LKG7-E00	CAP RR GRIP	CAP RR GRIP	4	
	81252	81252-KKE5-E00	PLUG LUGGAGE BOX	PLUG LUGGAGE BOX	1	
**	81260	81260-LKG7-E00	LUGGAGE BOX ASSY	LUGGAGE BOX ASSY	14	
**	83500	83500-LKG7-E00	COVER R., BODY	COVER R., BODY	1	
**	83600	83600-LKG7-E00	COVER L., BODY	COVER L., BODY	1	
**	83750	83750-LKG7-E00	COVER. RR. CENTER	COVER. RR. CENTER	1	
**	83751	83751-LKG7-E00	MOLDING RR CENTER	MOLDING RR CENTER	1	
	90106	90106-KFC2-900	BOLT WASH 8MM	BOLT WASH 8MM	4	
	90301	90301-6D34-671	NUT FLANGE 6MM	NUT FLANGE 6MM	2	
	90302	90302-LKB9-900	NUT SPRING 5MM	NUT SPRING 5MM	4	
	93404	93404-06016-06	BOLT WASHER 6*16	BOLT WASHER 6*16	4	
	93903	93903-45260	SCREW TAPPING 5*12	SCREW TAPPING 5*12	2	

F13

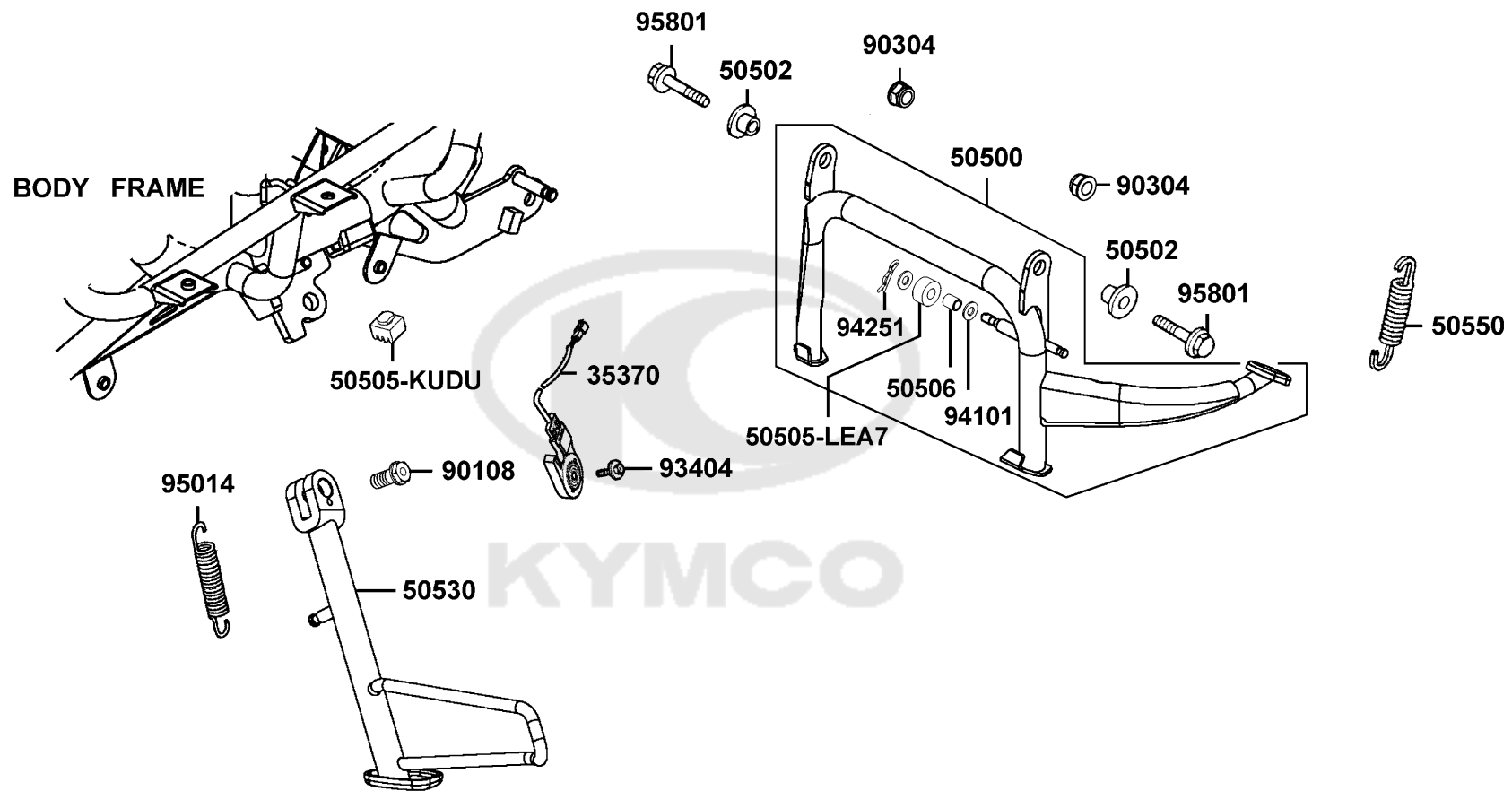
Air Cleaner



Sales mark	Ref no	Part no	Description	Reg description	Regd no	F13
11212		11212-LEA7-E00	TUBE AIR/C BLOW BY	TUBE AIR/C BLOW BY	1	
1121A		1121A-LEA7-E00	TUBE BREATHER	TUBE BREATHER	1	
17211		17211-LKG7-E00	ELEMENT AIR/C	ELEMENT AIR/C	1	
17213		17213-LKG7-E00	SEAL ELEMENT AIR/C	SEAL ELEMENT AIR/C	1	
17214		17214-LEA7-E00	SEAL CASE AIR/C	SEAL CASE AIR/C	1	
1723A		1723A-LKG7-E00	CASE ASSY AIR/C	CASE ASSY AIR/C	1	
1723B		1723B-LKG7-E00	COVER COMP AIR/C	COVER COMP AIR/C	1	
17359		17359-4K19-671	JOINT BREATHER TUBE	JOINT BREATHER TUBE	1	
1737A		1737A-KUDU-900	V TUBE ASSY	V TUBE ASSY	1	
90302		90302-LKB9-900	NUT SPRING 5MM	NUT SPRING 5MM	1	
90652		90652-KHE7-900	BAND CONNECTING TUBE	BAND CONNECTING TUBE	1	
93404		93404-06035-06	BOLT WASHER 6*35	BOLT WASHER 6*35	2	
93903		93903-25460	SCREW TAPPING 5*20	SCREW TAPPING 5*20	8	
95002		95002-02120	CLIP B12 TUBE	CLIP B12 TUBE	1	
96001		96001-GFY6-900	BOLT SPECIAL 5*10	BOLT SPECIAL 5*10	7	



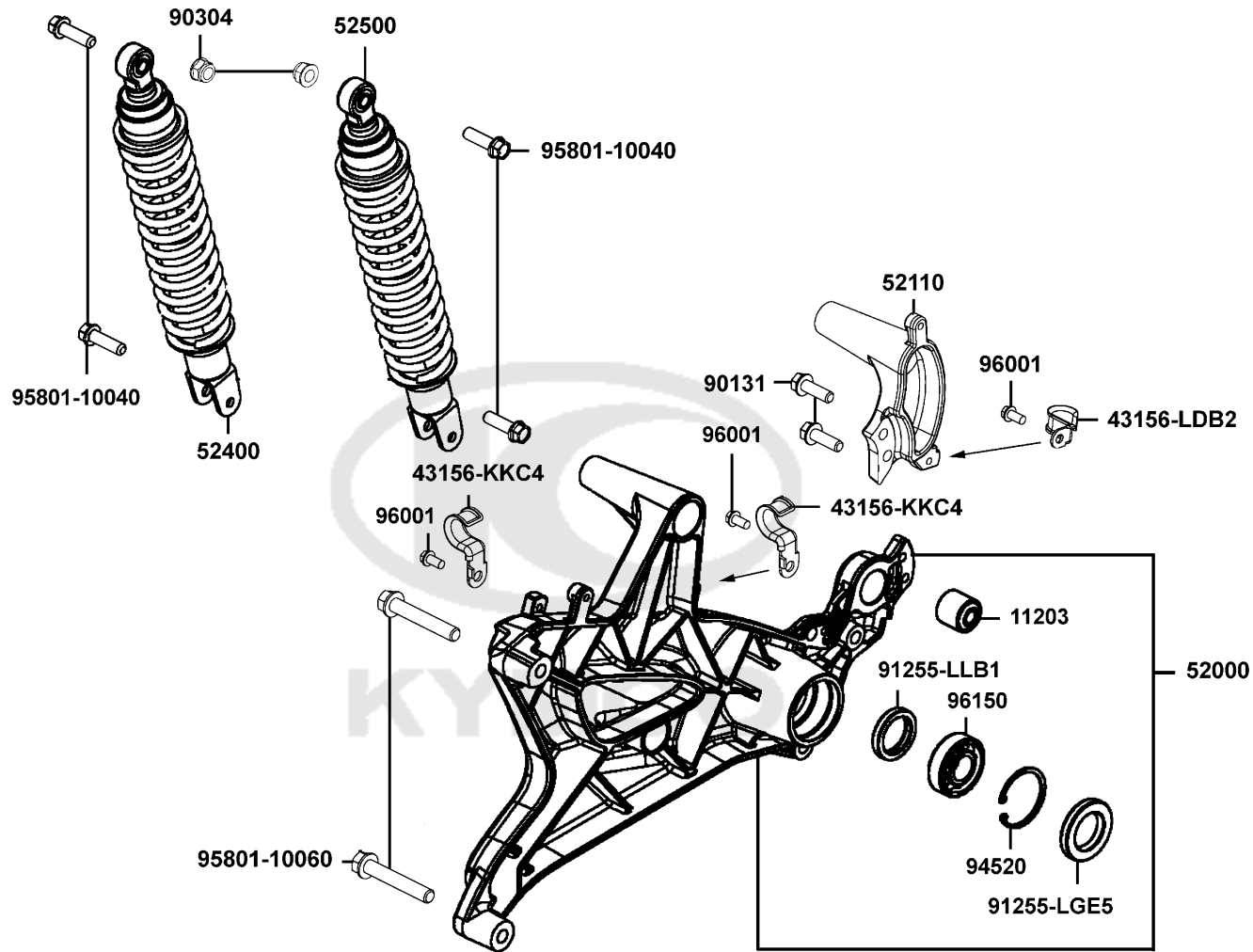
Sales mark	Ref no	Part no	Description	Reg description	Regd no	F14
	18291-KEBE	18291-KEBE-900	COLLAR	COLLAR	8	
	18291-PWB1	18291-PWB1-900	SEAL EXHAUST PIPE	SEAL EXHAUST PIPE	1	
	18292	18292-KEBE-900	PACKING PROTECTOR	PACKING PROTECTOR	8	
	18293	18293-KEBE-900	RUBBER PKG PROTECTOR	RUBBER PKG PROTECTOR	8	
	18294	18294-KEBE-900	PACKING PROTECTOR	PACKING PROTECTOR	8	
**	18306	18306-LKG7-E00	TAIL CAP MUFFLER	TAIL CAP MUFFLER	1	
**	1830A	1830A-LKG7-E00	MUFFLER ASSY.. EXHAUST	MUFFLER ASSY.. EXHAUST	1	
	18310	18310-LKG7-E00	MUFFLER COMP	MUFFLER COMP	1	
**	18318	18318-LKG7-E00	PROTECTOR. MUFFLER	PROTECTOR. MUFFLER	1	
	18320	18320-LKG7-E00	PIPE COMP EXHAUST	PIPE COMP EXHAUST	1	
	18371	18371-LEA7-E00	BAND MUFFLER	BAND MUFFLER	1	
	18391	18391-LEA7-E00	GASKET	GASKET	1	
	39450	39450-LEA6-800	O2 SENSOR	O2 SENSOR	1	
	90131	90131-LKG7-E00	BOLT FLANGE 10X60	BOLT FLANGE 10X60	3	
	90301	90301-GFY6-901	NUT (HEX) CAP 8MM	NUT (HEX) CAP 8MM	2	
	93401	93401-06020-07	BOLT WASHER 6*20	BOLT WASHER 6*20	3	
	93903	93903-14360	SCREW TAPPING 4*12	SCREW TAPPING 4*12	2	
	95701	95701-06022-06	BOLT FLANGE 6*22	BOLT FLANGE 6*22	4	



Sales mark	Ref no	Part no	Description	Reg description	Regd no	F15
35370		35370-LKG7-E00	SW UNIT SIDE STAND	SW UNIT SIDE STAND	1	
50500		50500-LKG7-E00	STAND COMP MAIN	STAND COMP MAIN	14	
50502		50502-LDF7-E10	COLLAR MAIN STAND	COLLAR MAIN STAND	2	
50505-KUDU		50505-KUDU-900	STOPPER RUBBER STAND	STOPPER RUBBER STAND	1	
50505-LEA7		50505-LEA7-E00	STOPPER RUBBER	STOPPER RUBBER	1	
50506		50506-KHE7-E00	COLLAR STOPPER RUBBER	COLLAR STOPPER RUBBER	1	
50530		50530-LKG7-E00	STAND COMP SIDE	STAND COMP SIDE	1	
50550		50550-KKC2-E00	SPRING ASSY MAIN STAND	SPRING ASSY MAIN STAND	1	
90108		90108-KKC4-900	SCREW SIDE STAND PIVOT	SCREW SIDE STAND PIVOT	1	
90304		90304-LEA1-900	NUT U FLANGE 10MM	NUT U FLANGE 10MM	2	
93404		93404-06016-06	BOLT WASHER 6*16	BOLT WASHER 6*16	1	
94101		94101-08600	WASH PLAIN 8MM	WASH PLAIN 8MM	2	
94251		94251-08400	PIN LOCK 8MM	PIN LOCK 8MM	1	
95014		95014-72204	SPRING B1 SIDE STAND	SPRING B1 SIDE STAND	1	
95801		95801-10030-06	BOLT FLANGE 10*30	BOLT FLANGE 10*30	2	

F16

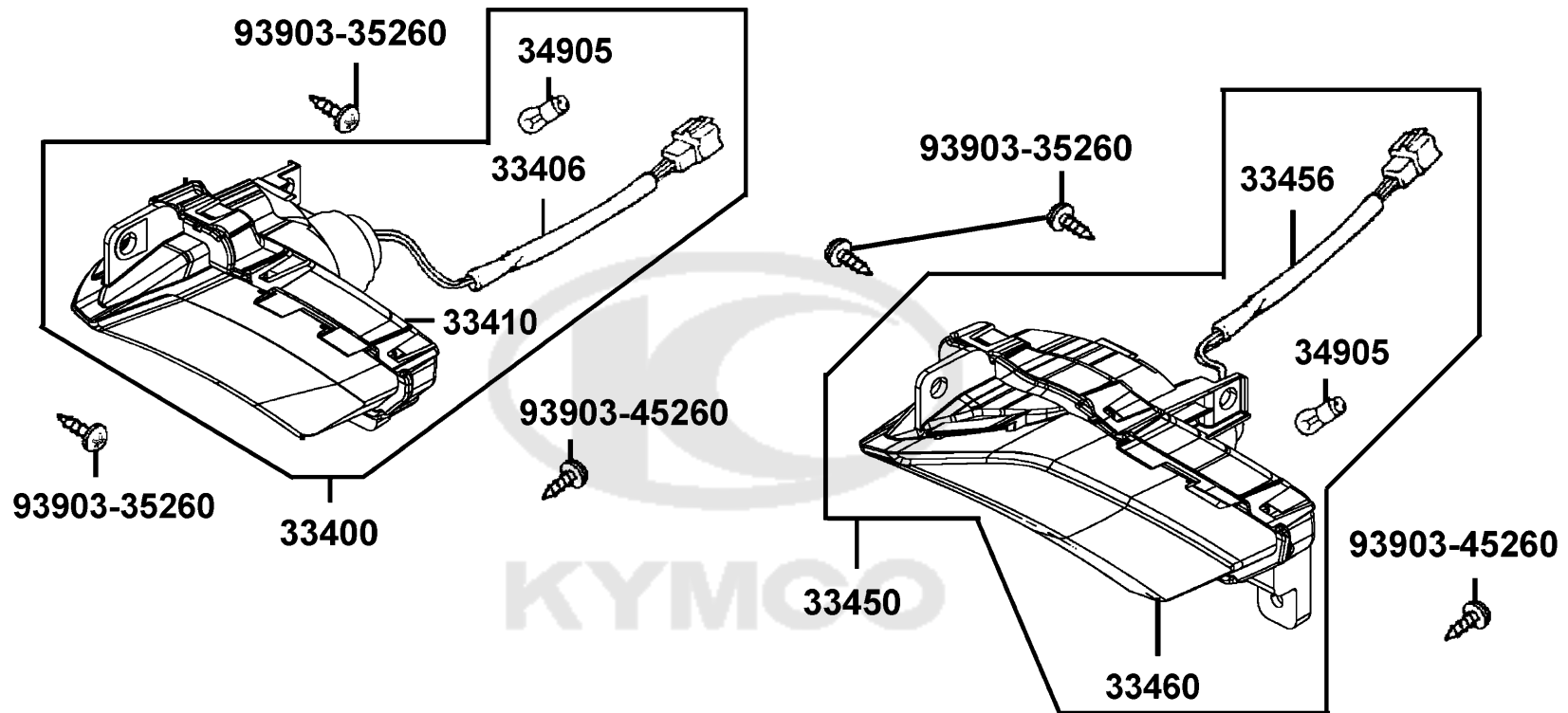
Rr Cushion



Sales mark	Ref no	Part no	Description	Reg description	Regd no	F16
	11203	11203-LBA2-E00	RUB BUSH L CASE	RUB BUSH L CASE	1	
	43156-KKC4	43156-KKC4-900	CLAMPER HOSE RR	CLAMPER HOSE RR	2	
	43156-LDB2	43156-LDB2-900	CLAMPER HOSE RR	CLAMPER HOSE RR	1	
**	52000	52000-LKG7-E00	FORK ASSY RR	FORK ASSY RR	1	
**	52110	52110-LKF5-E00	FORK A RR CAST	FORK A RR CAST	1	
**	52400	52400-LKG7-E80	CUSHION ASSY RR R/H	CUSHION ASSY RR R/H	1	
**	52500	52500-LKG7-E80	CUSHION ASSY RR L/H	CUSHION ASSY RR L/H	1	
	90131	90131-KEBE-900	BOLT FLANGE 8*24	BOLT FLANGE 8*24	2	
	90304	90304-GHE8-004	NUT U 10MM	NUT U 10MM	2	
	91255-LGE5	91255-LGE5-E00	OIL SEAL 30*48*7	OIL SEAL 30*48*7	1	
	91255-LLB1	91255-LLB1-900	OIL SEAL 30*40*7	OIL SEAL 30*40*7	1	
	94520	94520-47000	CIR CLIP IN 47	CIR CLIP IN 47	1	
	95801-10040	95801-10040-02	BOLT FLANGE 10*40	BOLT FLANGE 10*40	4	
	95801-10060	95801-10060-06	BOLT FLANGE 10*60	BOLT FLANGE 10*60	2	
	96001	96001-06012-06	BOLT FLANGE SH6*12	BOLT FLANGE SH6*12	3	
	96150	96150-62040-10	BEARING BALL RADIAL 6204	BEARING BALL RADIAL 6204	1	

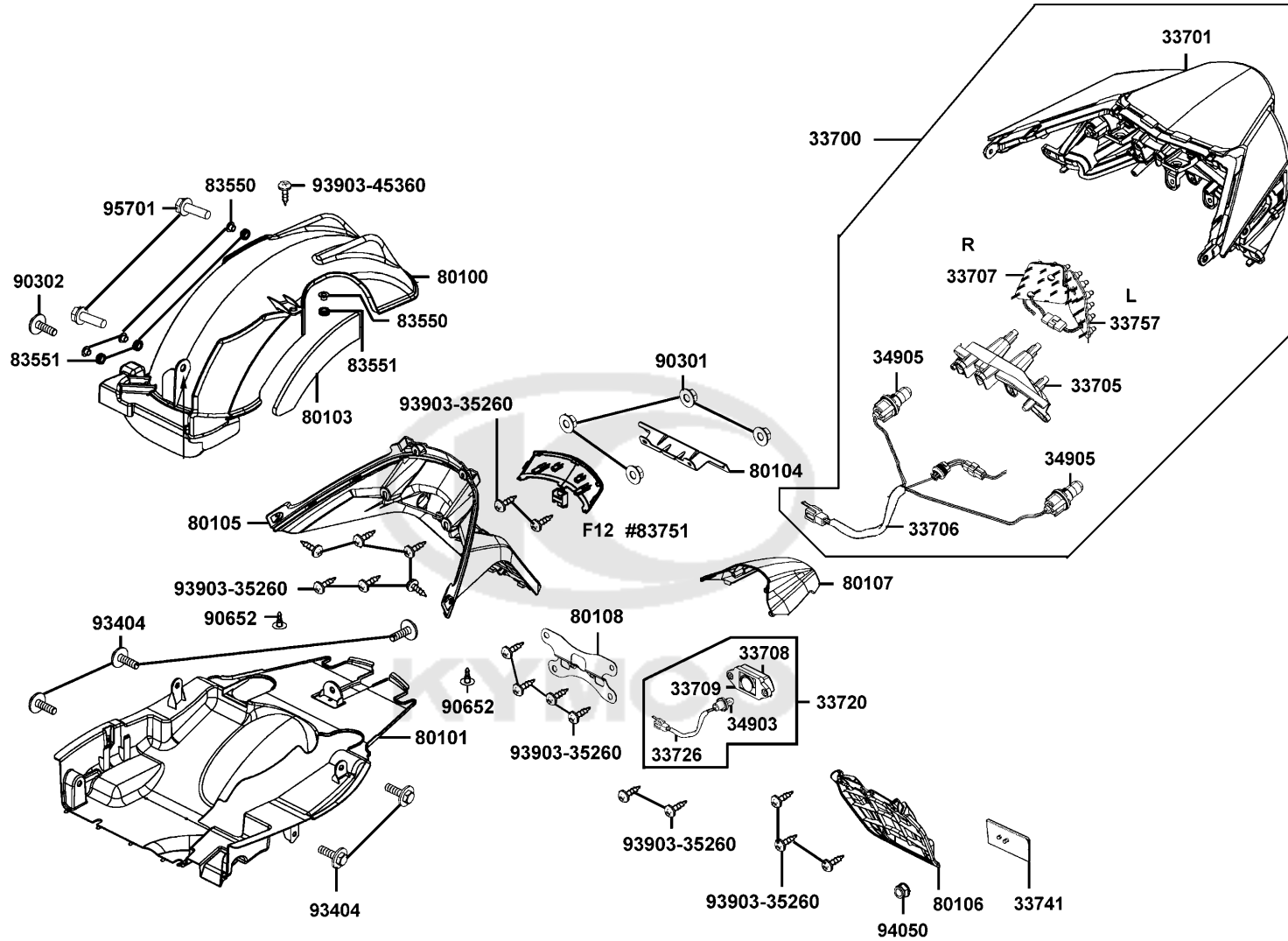
F17

Front Winker



Sales mark	Ref no	Part no	Description	Reg description	Regd no	F17
	33400	33400-LKG7-E00	WINKER ASSY R FR	WINKER ASSY R FR	1	
	33406	33406-LKG7-E00	SOCKET COMP R FR WINKER	SOCKET COMP R FR WINKER	1	
	33410	33410-LKG7-E00	UNIT R FR WINKER	UNIT R FR WINKER	1	
	33450	33450-LKG7-E00	WINKER ASSY L FR	WINKER ASSY L FR	1	
	33456	33456-LKG7-E00	SOCKET COMP L FR WINKER	SOCKET COMP L FR WINKER	1	
	33460	33460-LKG7-E00	UNIT L FR WINKER	UNIT L FR WINKER	1	
	34905	34905-LKG7-E00	BULB WINKER	BULB WINKER	2	
	93903-35260	93903-35260	SCREW TAPPING 5*12	SCREW TAPPING 5*12	4	
	93903-45260	93903-45260	SCREW TAPPING 5*12	SCREW TAPPING 5*12	2	

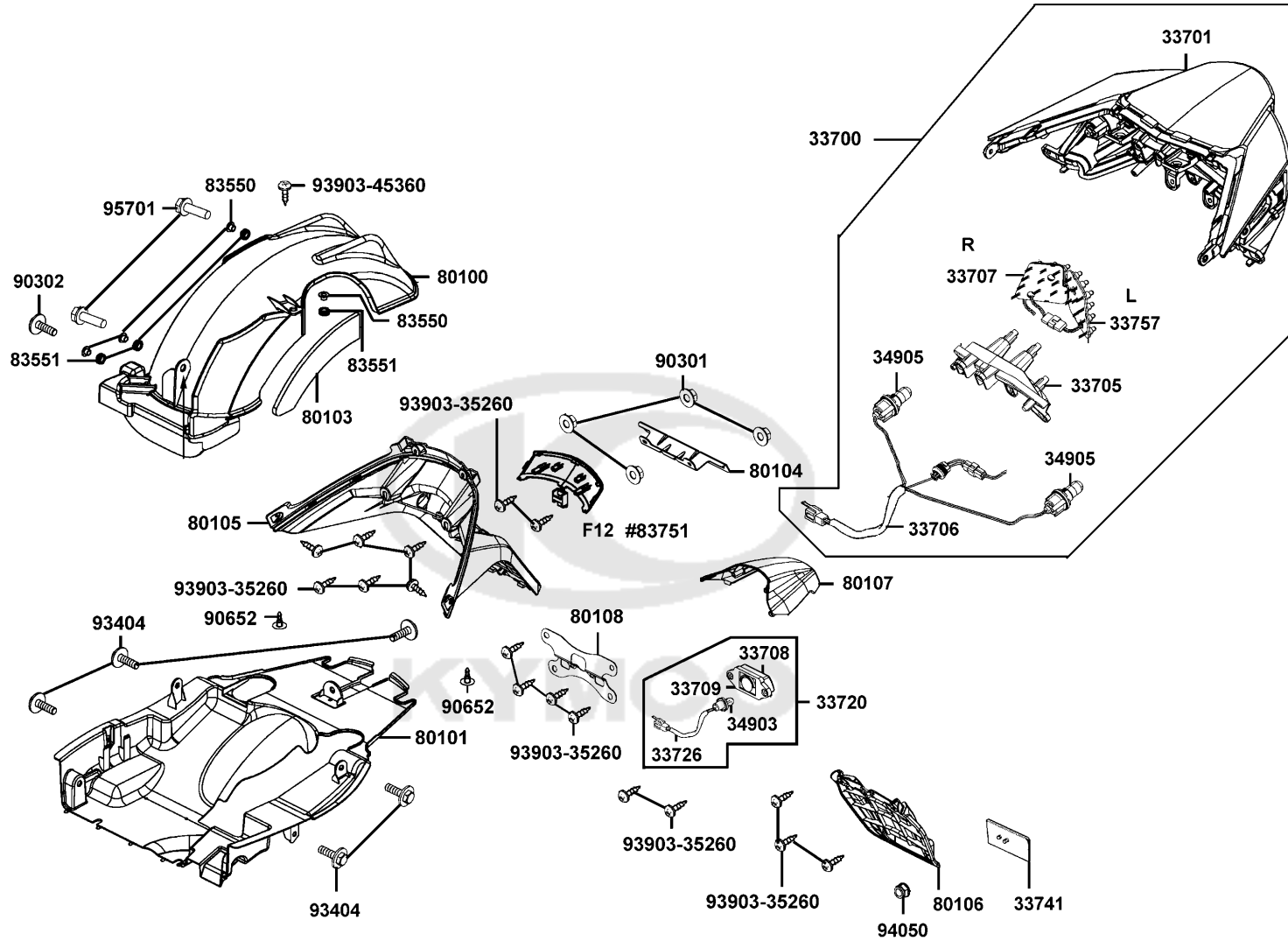




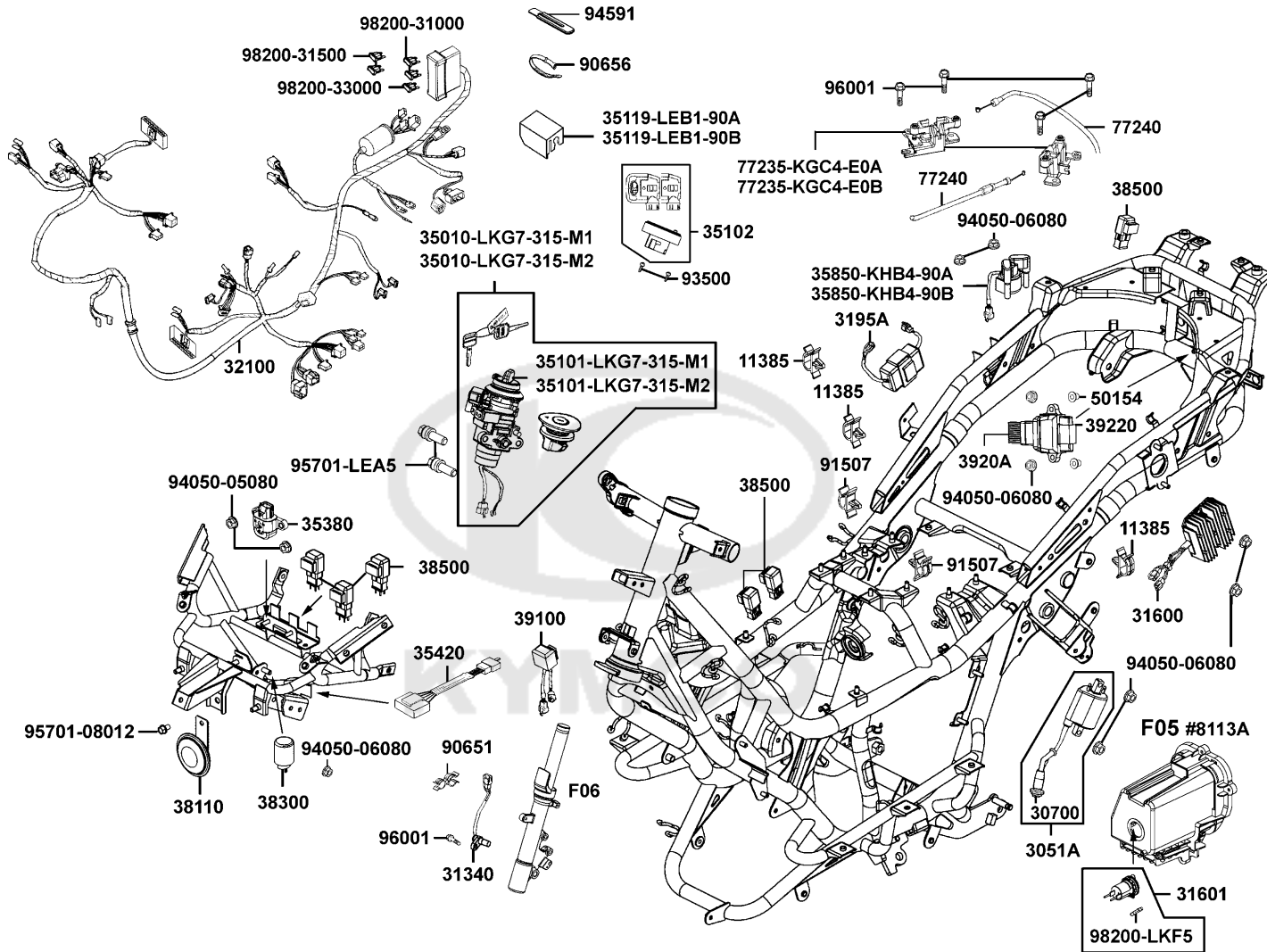
Sales mark	Ref no	Part no	Description	Reg description	Regd no	F18
	33700	33700-LKG7-E00	LIGHT ASSY RR COMB	LIGHT ASSY RR COMB	1	
	33701	33701-LKG7-E00	UNIT TAIL LIGHT	UNIT TAIL LIGHT	1	
	33705	33705-LKG7-E00	BACK COVER	BACK COVER	1	
	33706	33706-LKG7-E00	SOCKET COMP TAIL LIGHT	SOCKET COMP TAIL LIGHT	1	
	33707	33707-LKG7-E00	LED COMP R	LED COMP R	1	
	33708	33708-KHE7-E00	LENS LICENSE	LENS LICENSE	1	
	33709	33709-KHE7-E00	BASE LICENSE	BASE LICENSE	1	
	33720	33720-LBB5-E00	LIGHT ASSY LICENSE	LIGHT ASSY LICENSE	1	
	33726	33726-LBB5-E00	SCOKET COMP	SCOKET COMP	1	
	33741	33741-KHC5-M00	REFLEX REFLECTOR	REFLEX REFLECTOR	1	
	33757	33757-LKG7-E00	LED COMP L	LED COMP L	1	
	34903	34903-KPCP-900	BULB POSITION	BULB POSITION	1	
	34905	34905-LCA5-E00	BULB WINKER	BULB WINKER	2	
**	80100	80100-LKG7-E00	FENDER RR TIRE	FENDER RR TIRE	1	
**	80101	80101-LKG7-E00	FENDER RR UP	FENDER RR UP	1	
	80103	80103-LKG7-E00	SPONGE TAPE FENDER	SPONGE TAPE FENDER	1	
	80104	80104-LKG7-E00	PLATE SPLASH GUARD	PLATE SPLASH GUARD	1	
**	80105	80105-LKG7-E00	FENDER RR	FENDER RR	1	
**	80106	80106-LKF5-E00	RR FENDER LOW	RR FENDER LOW	1	
**	80107	80107-LKF5-E00	COVER LICENSE LIGHT	COVER LICENSE LIGHT	1	

F18

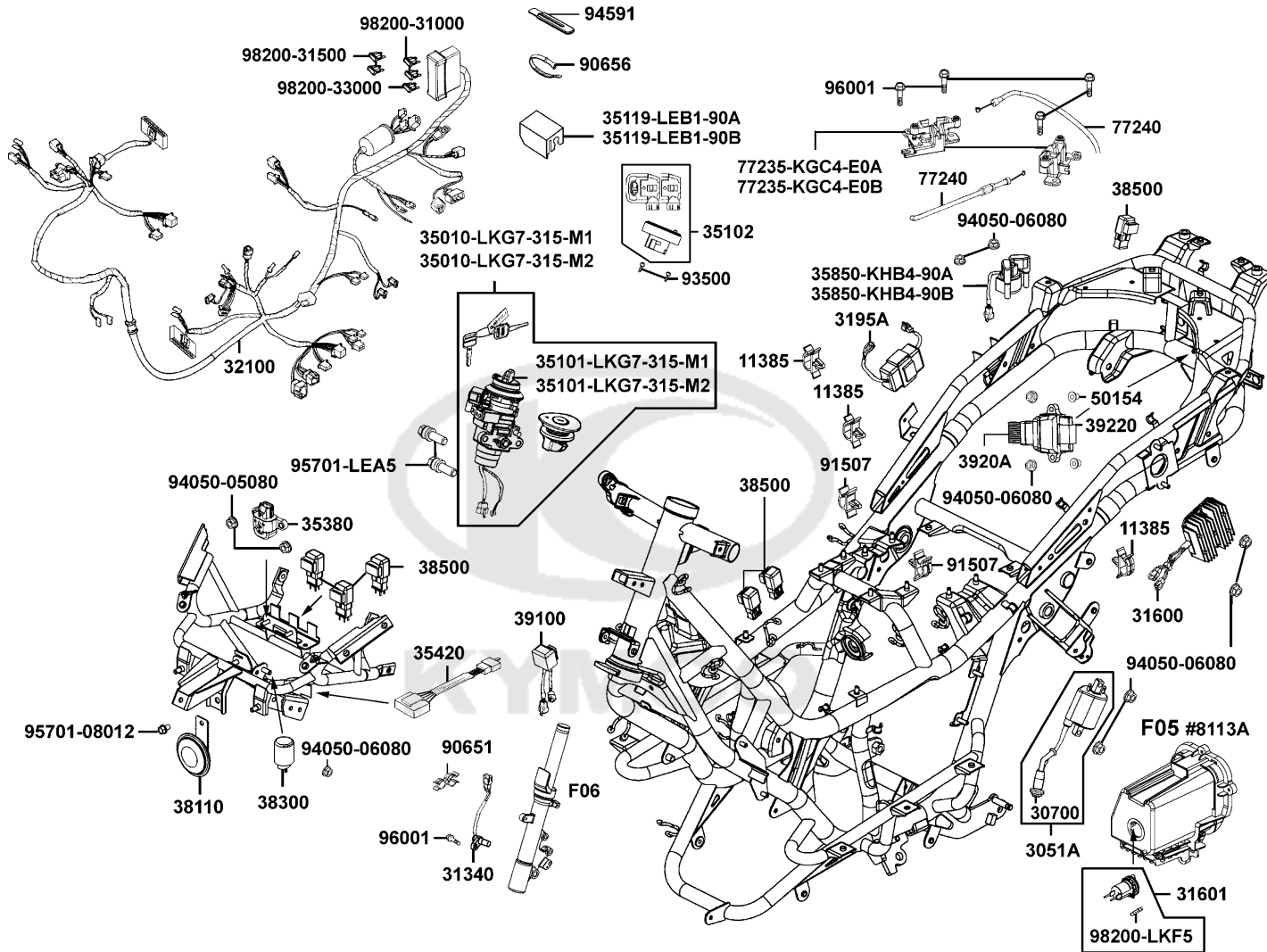
Rear LightRear Fender



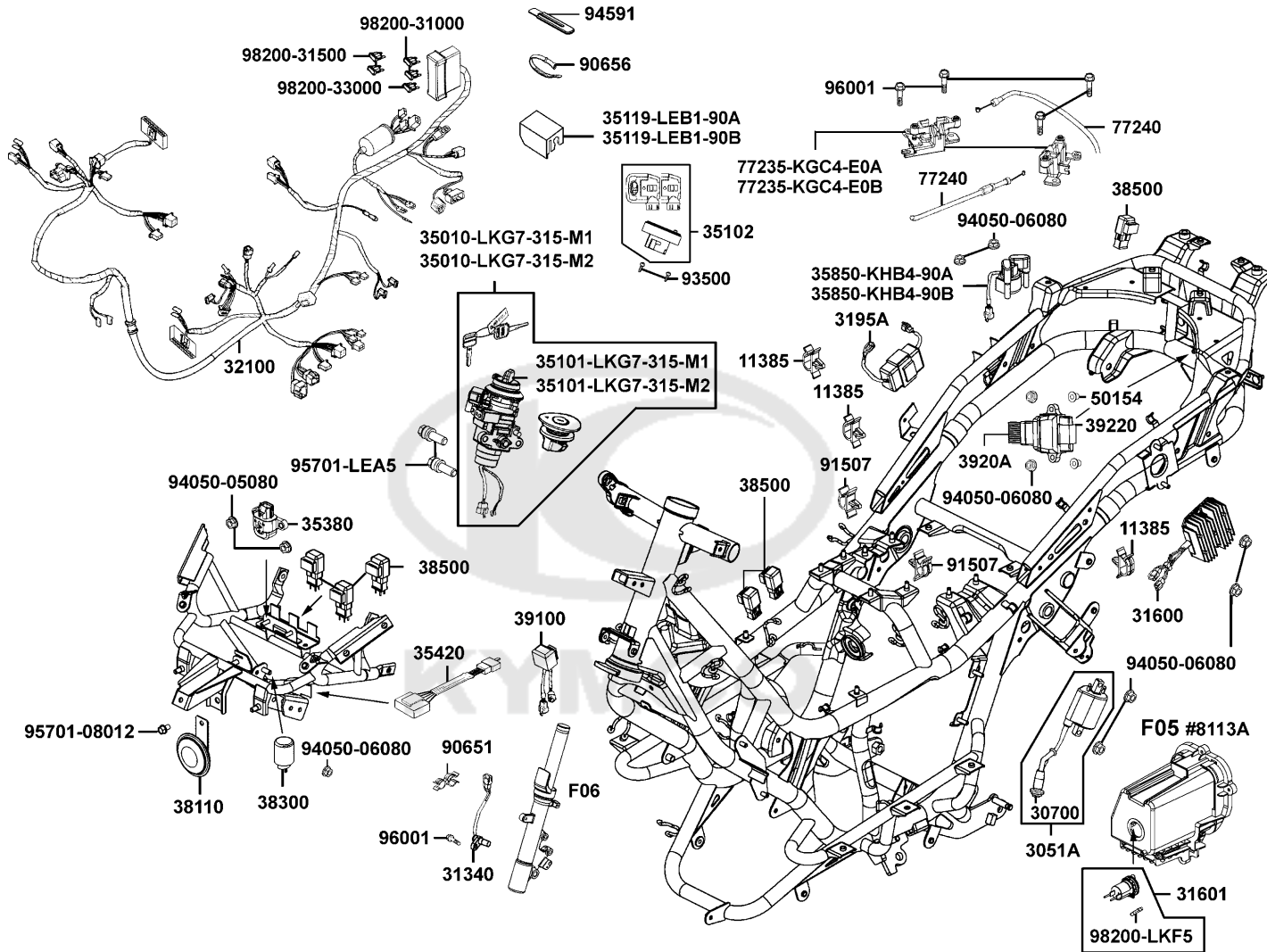
Sales mark	Ref no	Part no	Description	Reg description	Regd no	F18
80108		80108-LKG7-E00	STAY RR FENDER	STAY RR FENDER	1	
83550		83550-KEC8-900	COLLAR	COLLAR	4	
83551		83551-KEC8-900	GROMMET COVER	GROMMET COVER	4	
90301		90301-6C93-001	NUT 6MM OPENSTAY	NUT 6MM OPENSTAY	4	
90302		90302-GFY6-940	BOLT WASHER 5*16	BOLT WASHER 5*16	1	
90652		90652-LCA4-E00	CLIP MUDGUARD	CLIP MUDGUARD	2	
93404		93404-06016-06	BOLT WASHER 6*16	BOLT WASHER 6*16	5	
93903-35260		93903-35260	SCREW TAPPING 5*12	SCREW TAPPING 5*12	13	
93903-45360		93903-45360	SCREW TAPPING 5*16	SCREW TAPPING 5*16	1	
94050		94050-05080	NUT FLANGE 5MM	NUT FLANGE 5MM	1	
95701		95701-06016-06	BOLT FLANGE 6*16	BOLT FLANGE 6*16	2	



Sales mark	Ref no	Part no	Description	Reg description	Regd no	F19
	11385	11385-KGBG-900	CLIP VACUUM TUBE	CLIP VACUUM TUBE	3	
	3051A	3051A-LKF5-E00	COIL ASSY. IGN	COIL ASSY. IGN	1	
	30700	30700-LDB5-E00	CAP ASSY NOISE SUPPRESOR	CAP ASSY NOISE SUPPRESOR	1	
	31340	31340-LFH1-E00	SENSOR RR WHEEL SPEED	SENSOR RR WHEEL SPEED	14	
	31600	31600-LKF5-E00	REG REC COMP	REG REC COMP	1	
	31601	31601-LEA7-E00	SOCKET COMP..DC 12V	SOCKET COMP..DC 12V	1	
	3195A	3195A-LBA2-E00	HAZARD CONTROL ASSY	HAZARD CONTROL ASSY	1	
	32100	32100-LKG7-E00	HARNES WIRE	HARNES WIRE	1	
	35010-LKG7-315-M1	35010-LKG7-315-M1	KEY SET FOR SERVICE/D206	KEY SET FOR SERVICE/D206	1	
	35010-LKG7-315-M2	35010-LKG7-315-M2	KEY SET FOR SERVICE/D106	KEY SET FOR SERVICE/D106	1	
	35101-LKG7-315-M1	35101-LKG7-315-M1	SW SET COMB LOCK/D206	SW SET COMB LOCK/D206	1	
	35101-LKG7-315-M2	35101-LKG7-315-M2	SW SET COMB LOCK/D106	SW SET COMB LOCK/D106	1	
	35102	35102-KFB7-315-M1	SHUTTER MAGNETIC LOCK SET	SHUTTER MAGNETIC LOCK SET	1	
	35102	35102-KFB7-315-M2	SHUTTER MAGNETIC LOCK SET	SHUTTER MAGNETIC LOCK SET	1	
	35119-LEB1-90A	35119-LEB1-90A	COVER SEAT CABLE	COVER SEAT CABLE	1	
	35119-LEB1-90B	35119-LEB1-90B	COVER SEAT CABLE	COVER SEAT CABLE	1	
	35380	35380-LKG2-900	SENSOR ANGLE DETECT	SENSOR ANGLE DETECT	1	
	35420	35420-LEA7-E00	CONTROLLER OIL LAMP	CONTROLLER OIL LAMP	1	
	35850-KHB4-90A	35850-KHB4-90A	SET START MAG	SET START MAG	1	
	35850-KHB4-90B	35850-KHB4-90B	SET START MAG	SET START MAG	1	

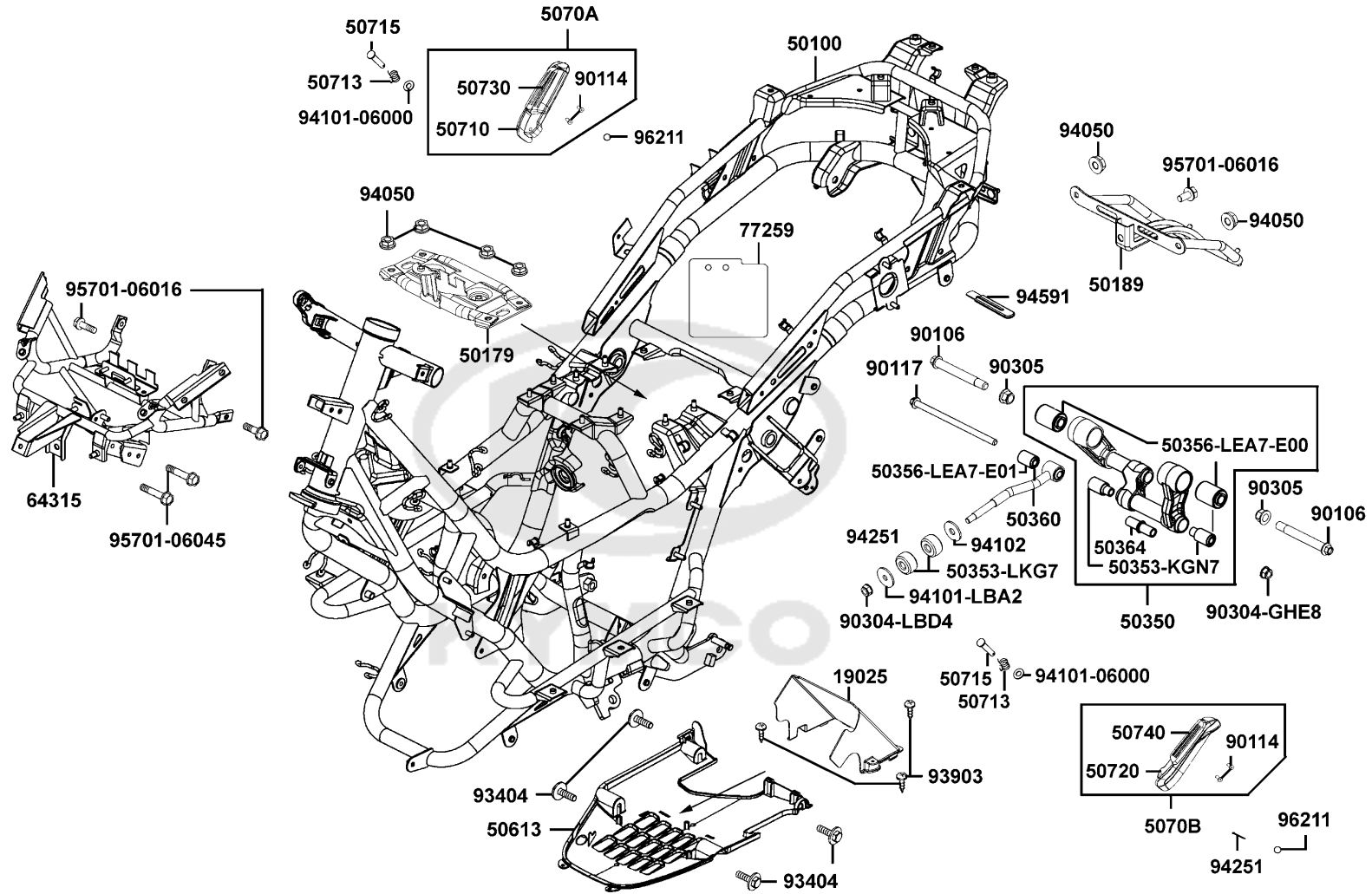


Sales mark	Ref no	Part no	Description	Reg description	Regd no	F19
38110		38110-KKC3-90B	HORN COMP	HORN COMP	1	
38300		38300-LEA7-E00	RELAY COMP WINKER	RELAY COMP WINKER	1	
38500		38500-LGL3-90A	RELAY ASSY LIGHT/D402	RELAY ASSY LIGHT/D402	6	
38500		38500-LGL3-90B	RELAY ASSY LIGHT/D106	RELAY ASSY LIGHT/D106	6	
38500		38500-LGL3-90D	RELAY COMP. START	RELAY COMP. START	6	
39100		39100-LEA7-E00	EMI FILTER FAN MOTOR	EMI FILTER FAN MOTOR	1	
3920A		3920A-LKG7-E00	ASSY ECU	ASSY ECU	1	
39220		39220-LKG2-900	CUSHION ECU	CUSHION ECU	1	
50154		50154-KKE3-900	COLLAR ECU	COLLAR ECU	2	
77235-KGC4-E0A		77235-KGC4-E0A	SEAT CATCH	SEAT CATCH	2	
77235-KGC4-E0B		77235-KGC4-E0B	SEAT CATCH	SEAT CATCH	2	
77240		77240-LKG7-E00	CABLE.SEAT LOCK	CABLE.SEAT LOCK	1	
90651		90651-LKG7-E00	CLIP WIRE HARN	CLIP WIRE HARN	1	
90656		90656-KCBC-900	BAND OIL HANDLE	BAND OIL HANDLE	11	
91507		91507-LEA7-E00	CLIP	CLIP	2	
93500		93500-KHC4-90A	SCREW PAN 5*10	SCREW PAN 5*10	2	
94050-05080		94050-05080	NUT FLANGE 5MM	NUT FLANGE 5MM	2	
94050-06080		94050-06080	NUT FLANGE 6MM	NUT FLANGE 6MM	9	
94591		94591-KFBF-900	CLIP 2*70	CLIP 2*70	2	
95701-08012		95701-08012-08	BOLT FLANGE 8X12	BOLT FLANGE 8X12	1	

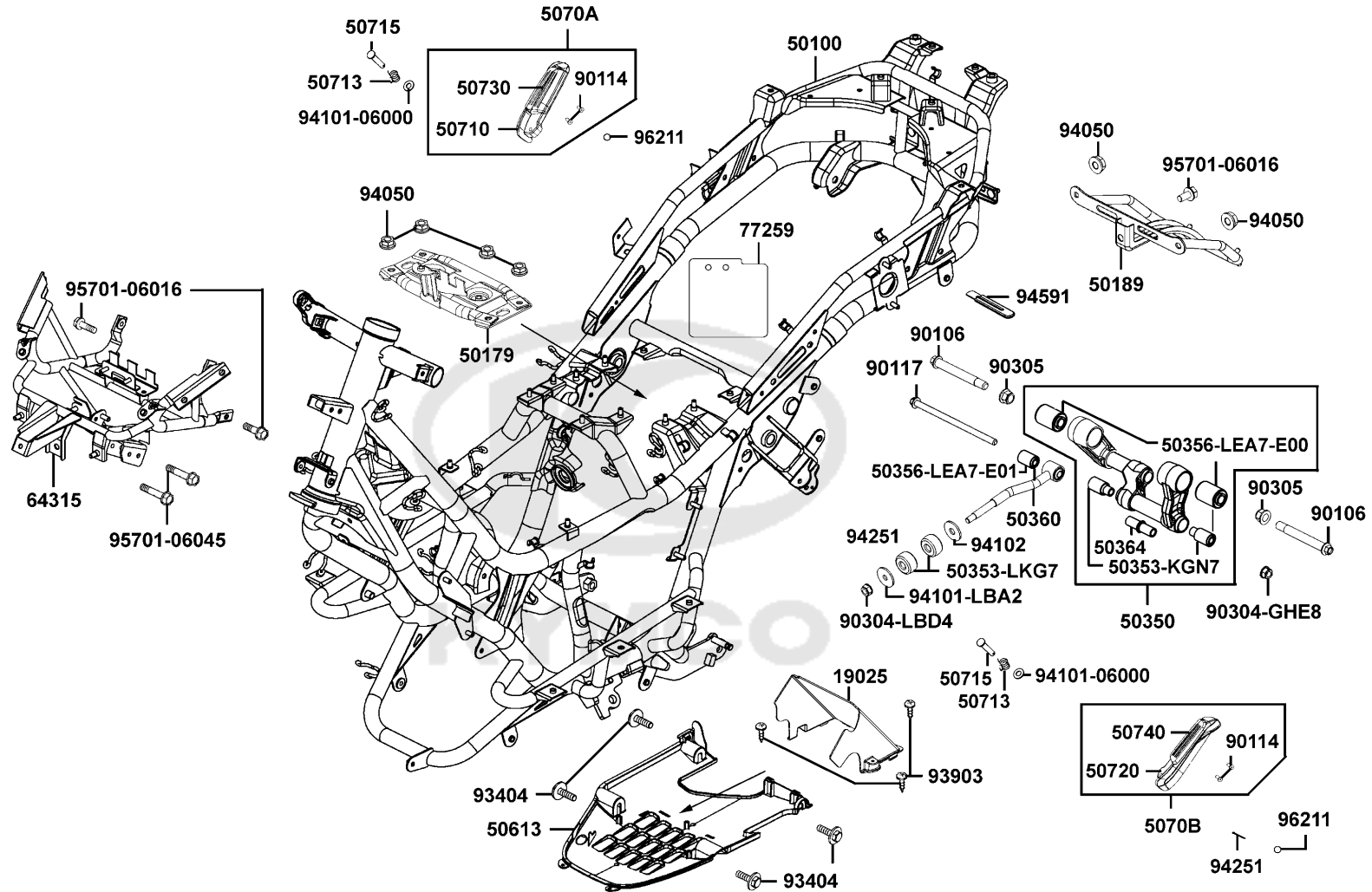


Sales mark	Ref no	Part no	Description	Reg description	Regd no	F19
	95701-LEA5	95701-LEA5-E00	BOLT TORQUE 8*25	BOLT TORQUE 8*25	2	
	96001	96001-06012-06	BOLT FLANGE SH6*12	BOLT FLANGE SH6*12	5	
	98200-31000	98200-31000	BLADE FUSE 10A	BLADE FUSE 10A	2	
	98200-31500	98200-31500	BLADE FUSE 15A	BLADE FUSE 15A	2	
	98200-33000	98200-33000	BLADE FUSE 30A	BLADE FUSE 30A	1	
	98200-LKF5	98200-LKF5-E00	FUSE 1.25 A	FUSE 1.25 A	1	

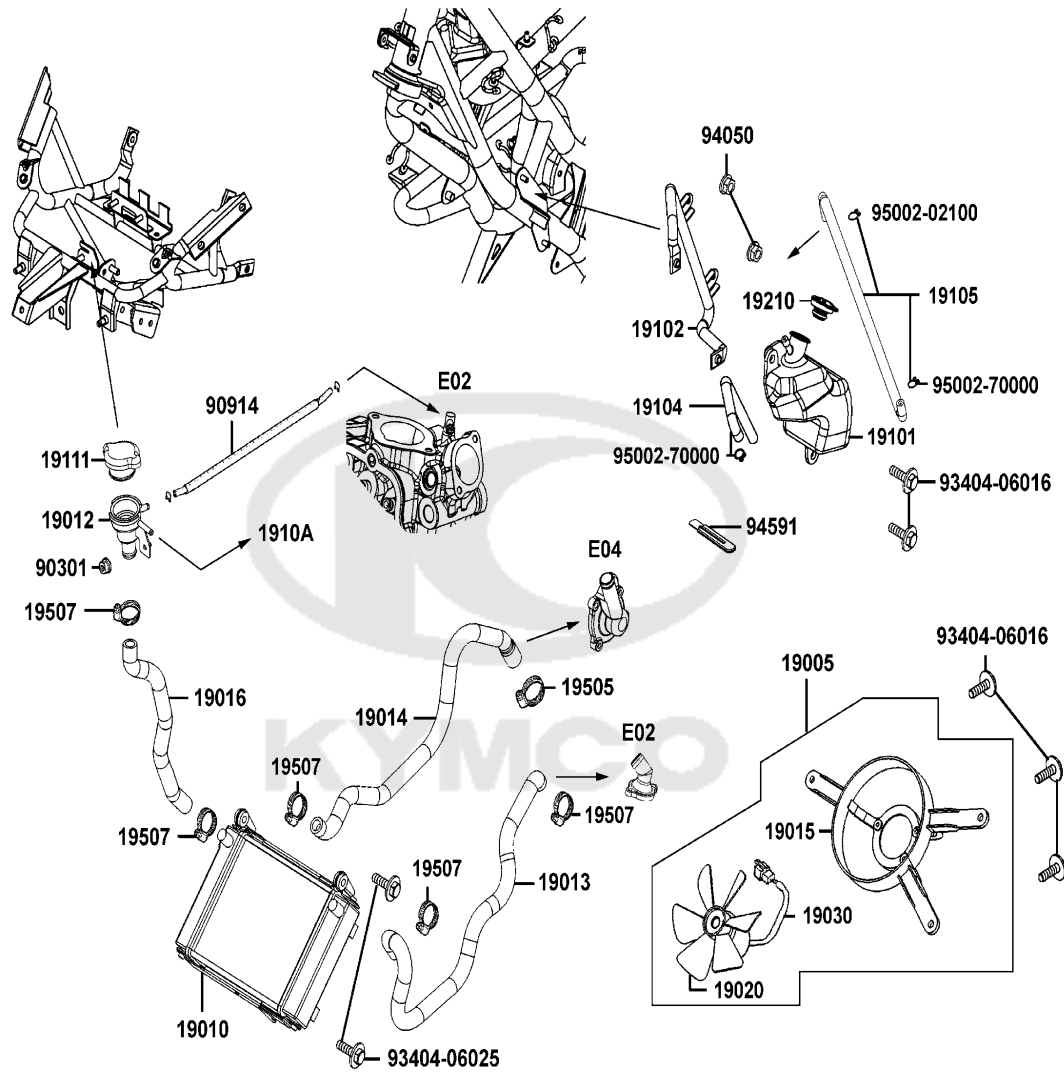




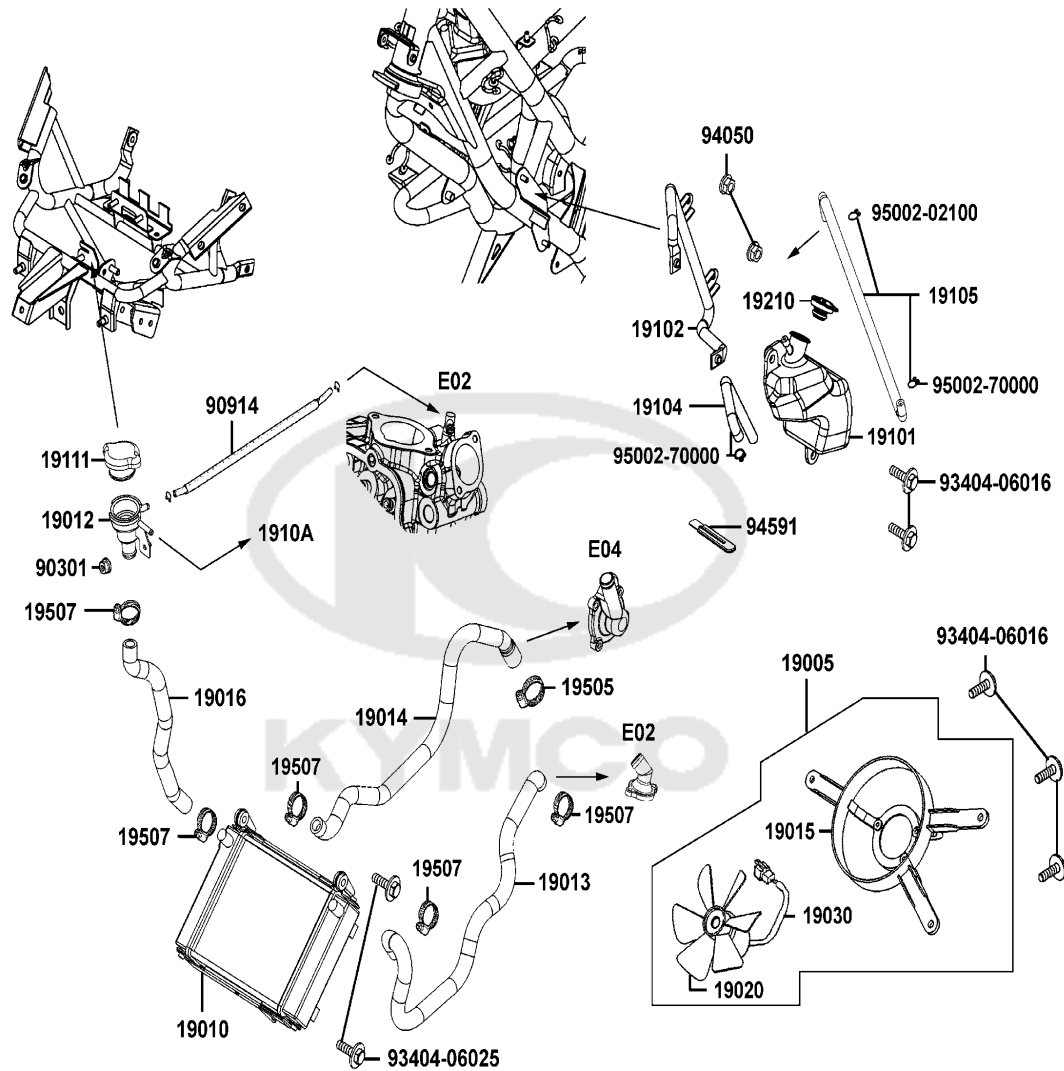
Sales mark	Ref no	Part no	Description	Reg description	Regd no	F20
**	19025	19025-LKG7-E00	COVER RADIATOR	COVER RADIATOR	1	
	50100	50100-LKG7-E00	BODY COMP.,FRAME	BODY COMP.,FRAME	1	
	50179	50179-LKG7-E00	BRKT BATTERY	BRKT BATTERY	1	
	50189	50189-LKG7-E00	STAY RR FENDER	STAY RR FENDER	1	
	50350	50350-LEA7-E00	HANGER ASSY ENG	HANGER ASSY ENG	1	
	50353-KGN7	50353-KGN7-901	BUSH A ENG HANGER	BUSH A ENG HANGER	2	
	50353-LKG7	50353-LKG7-E00	RUBBER STOPPER	RUBBER STOPPER	2	
	50356-LEA7-E00	50356-LEA7-E00	RUB BUSH ENG HANGER	RUB BUSH ENG HANGER	2	
	50356-LEA7-E01	50356-LEA7-E01	RUB BUSH ENG HANGER	RUB BUSH ENG HANGER	1	
	50360	50360-LEA7-E00	TIE ROD ASSY ENG HANGER	TIE ROD ASSY ENG HANGER	1	
	50364	50364-KHE7-E00	COLLAR B ENG HANGER	COLLAR B ENG HANGER	1	
**	50613	50613-LKG7-E00	COVER. UNDER	COVER. UNDER	1	
**	5070A	5070A-LKG7-E00	BAR ASSY R STEP	BAR ASSY R STEP	1	
**	5070B	5070B-LKG7-E00	BAR ASSY L RR STEP	BAR ASSY L RR STEP	1	
**	50710	50710-LKG7-E00	BAR R RR STEP	BAR R RR STEP	1	
	50713	50713-KEB7-900	SPRING	SPRING	2	
	50715	50715-KEB7-900	PIN RR STEP	PIN RR STEP	2	
**	50720	50720-LKG7-E00	BAR L RR STEP	BAR L RR STEP	1	
	50730	50730-LKG7-E00	RUEEER COMP R RR STEP	RUEEER COMP R RR STEP	1	
	50740	50740-LKG7-E00	RUBBER COMP L RR STEP	RUBBER COMP L RR STEP	1	



Sales mark	Ref no	Part no	Description	Reg description	Regd no	F20
64315		64315-LKG7-E00	BRKT,FR COVER	BRKT,FR COVER	1	
77259		77259-LKG7-E00	PLATE ANTI THIEF	PLATE ANTI THIEF	1	
90106		90106-LEA7-E00	BOLT FLANGE 15*118	BOLT FLANGE 15*118	2	
90114		90114-KED9-900	SCREW PAN 6X12	SCREW PAN 6X12	4	
90117		90117-KED9-950	BOLT FLANGER 10*265	BOLT FLANGER 10*265	1	
90304-GHE8		90304-GHE8-004	NUT U 10MM	NUT U 10MM	1	
90304-LBD4		90304-LBD4-900	NUT U FLANGE 10MM	NUT U FLANGE 10MM	1	
90305		90305-LBD4-900	NUT U 14MM	NUT U 14MM	2	
93404		93404-06016-06	BOLT WASHER 6*16	BOLT WASHER 6*16	4	
93903		93903-35260	SCREW TAPPING 5*12	SCREW TAPPING 5*12	3	
94050		94050-06060	NUT FLANGE 6MM	NUT FLANGE 6MM	6	
94101-06000		94101-06000	WASHER PLAIN 6MM	WASHER PLAIN 6MM	2	
94101-LBA2		94101-LBA2-E00	WASHER PLAIN 10.5*38*3.0	WASHER PLAIN 10.5*38*3.0	1	
94102		94102-LBA2-E00	WASHER PLAIN 38*12.5*3	WASHER PLAIN 38*12.5*3	1	
94251		94251-08400	PIN LOCK 8MM	PIN LOCK 8MM	2	
94591		94591-KFBF-900	CLIP 2*70	CLIP 2*70	1	
95701-06016		95701-06016-06	BOLT FLANGE 6*16	BOLT FLANGE 6*16	3	
95701-06045		95701-06045-06	BOLT FLANGE 6*45	BOLT FLANGE 6*45	2	
96211		96211-08000	BALL STEEL #8	BALL STEEL #8	2	



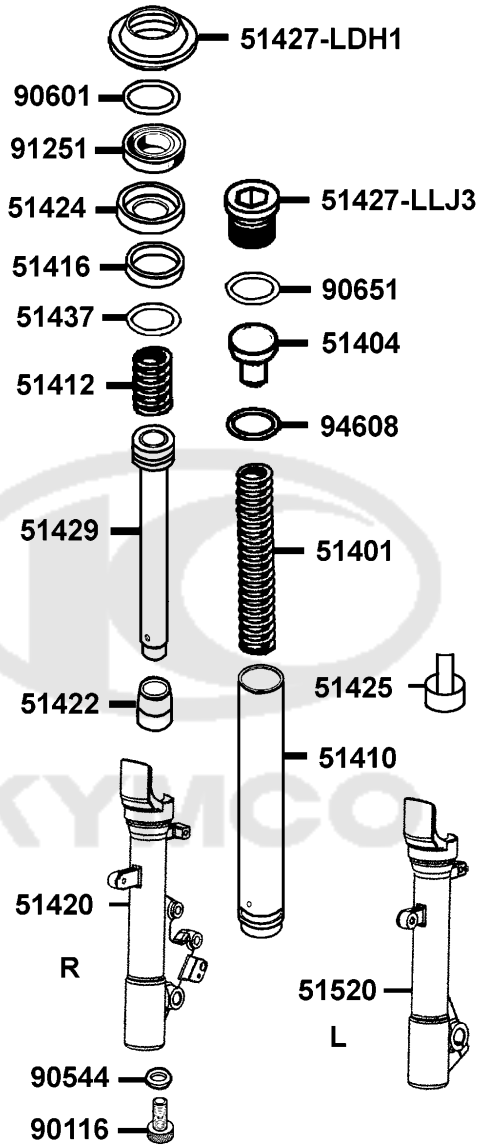
Sales mark	Ref no	Part no	Description	Reg description	Regd no	F21
	19005	19005-LFA7-E00	SHROUD ASSY	SHROUD ASSY	1	
	19010	19010-LKG7-E00	RADIATOR COMP	RADIATOR COMP	1	
	19012	19012-LEA7-E05	UNIT RADIATOR	UNIT RADIATOR	1	
	19013	19013-LKG7-E00	HOSE WATER INLET	HOSE WATER INLET	1	
	19014	19014-LKG7-E00	HOSE,WATER OUTLET	HOSE,WATER OUTLET	1	
	19015	19015-LEA5-E00	SHROUD COMP	SHROUD COMP	1	
	19016	19016-LKG7-E00	HOSE WATER-UNIT CAP	HOSE WATER-UNIT CAP	1	
	19020	19020-KED9-900	FAN COOLING	FAN COOLING	1	
	19030	19030-KHD8-900	MOTOR ASSY FAN	MOTOR ASSY FAN	1	
	19101	19101-LKG7-E00	TANK RESERVE	TANK RESERVE	1	
	19102	19102-LKG7-E00	STAY TANK REVERSE	STAY TANK REVERSE	1	
	19104	19104-LBA2-E00	HOSE ASSY DRAIN	HOSE ASSY DRAIN	1	
	19105	19105-LEA7-E00	HOSE ASSY RESERVE	HOSE ASSY RESERVE	1	
	19111	19111-PRB3-900	CAP COMP RADIATOR	CAP COMP RADIATOR	1	
	19210	19210-KKC4-900	CAP RESERVE TANK	CAP RESERVE TANK	1	
	19505	19505-LBA2-E00	CLAMP WATER HOSE	CLAMP WATER HOSE	1	
	19507	19507-LDB5-E00	CLAMP D28	CLAMP D28	5	
	90301	90301-6D34-671	NUT FLANGE 6MM	NUT FLANGE 6MM	1	
	90914	90914-LEA7-E05	TUBE ASSY WATER	TUBE ASSY WATER	1	
	93404-06016	93404-06016-06	BOLT WASHER 6*16	BOLT WASHER 6*16	5	



Sales mark	Ref no	Part no	Description	Reg description	Regd no	F21
	93404-06025	93404-06025-06	BOLT WASHER 6*25	BOLT WASHER 6*25	2	
	94050	94050-06060	NUT FLANGE 6MM	NUT FLANGE 6MM	2	
	94591	94591-KFBF-900	CLIP 2*70	CLIP 2*70	1	
	95002-02100	95002-02100	CLIP B10 TUBE	CLIP B10 TUBE	1	
	95002-70000	95002-70000	CLIP C11 TUBE	CLIP C11 TUBE	1	



Separated Parts Of Fr Fork



Sales mark	Ref no	Part no	Description	Reg description	Regd no	F22
	51401	51401-LKG7-E00	SPRING	SPRING	1	
	51404	51404-LDH1-E00	SPRING COLLAR	SPRING COLLAR	1	
	51410	51410-LKG7-E00	FORK PIPE COMP	FORK PIPE COMP	1	
	51412	51412-LEA7-E00	REBOUND SPRING	REBOUND SPRING	1	
	51416	51416-LDH1-E00	GUIDE BUSH	GUIDE BUSH	1	
**	51420	51420-LEA7-E00	BOTTOM CASE R	BOTTOM CASE R	1	
	51422	51422-KED9-900	OIL LOCK PIECE	OIL LOCK PIECE	1	
	51424	51424-LDH1-E00	SPACER	SPACER	1	
	51425	51425-LKG7-E00	FENDER FR FORK	FENDER FR FORK	1	
	51427-LDH1	51427-LDH1-E00	DUST SEAL	DUST SEAL	1	
	51427-LLJ3	51427-LLJ3-E00	FORK BOLT CAP	FORK BOLT CAP	1	
	51429	51429-LEA7-E00	PIPE SEAT COMP	PIPE SEAT COMP	1	
	51437	51437-LDH1-E00	PISTON RING	PISTON RING	1	
**	51520	51520-LEA7-E00	BOTTOM CASE L	BOTTOM CASE L	1	
	90116	90116-LHG7-E00	SOCKET BOLT	SOCKET BOLT	1	
	90544	90544-KEC8-900	PACKING	PACKING	1	
	90601	90601-LLJ3-E00	OIL SEAL STOPPER RING	OIL SEAL STOPPER RING	1	
	90651	90651-LLJ3-E00	STOPPER RING	STOPPER RING	1	
	91251	91251-LLJ3-E00	OIL SEAL	OIL SEAL	1	
	94608	94608-LLJ3-E00	O-RING	O-RING	1	

● Be sure to wear a safety helmet when riding.
 ● Do not exceed the speed specified by law when riding.
 ● The exhaust muffler temperature is very high after riding. Be sure to park the motorcycle in a place not easily touched by people.
 ● For riding safety and good performance, do not violate the law to modify the motorcycle.

● Make sure to perform the periodic maintenance and pre-ride inspection.

Pre-ride Inspection Items

Brake Performance, tires, engine oil level, lights, horn, and instrument panel

KWANG YANG MOTOR CO., LTD.

● Please read the User's Manual carefully to secure driving safety.

87560

CAUTIONS

Never put any article between the rear side cover and the engine to avoid interference of riding.

GMS-300

87542

CAUTIONS

Before starting the engine, the side stand shall be kicked up to secure safety.

87541-GAR1

CAUTIONS

TIRE SIZE :FRONT 120/70-14 REAR 150/70-14
 (ONE RIDER) :FRONT 2.0kgf/cm² REAR 2.25kgf/cm²
 (TWO RIDER) :FRONT 2.0kgf/cm² REAR 2.25kgf/cm²
 LOAD CAPACITY :SHIELD 1.5kg CLIP ASSY CENTER 3kg
 (AS PER KYMCO STANDARD SPECIFICATION)
 (NOTE: THE TIRE PRESSURE MUST NOT OVER PASS 2.30kgf/cm²)

CHECK THE MOTOR OIL LEVEL WITH THE DIPSTICK AFTER REFILLING MOTOR OIL.

87505-LGES-E00

87505

CAUTIONS

Every 5000 km run should exchange the filter.

KBE-E00

87512

CAUTION

Mobile phone charge only, Use other appliance may cause damage.

KKC2-E000

87541-KKC2

Sales mark	Ref no	Part no	Description	Reg description	Regd no	F23
**	87505	87505-LKG7-E00	LABEL TIRE	LABEL TIRE	1	
**	87512	87512-KEBE-E00	CAUTION FILTER	CAUTION FILTER	1	
**	87541-GAR1	87541-GAR1-E00	CAUTION SIDE STAND	CAUTION SIDE STAND	1	
**	87541-KKC2	87541-KKC2-E00	CAUTION MOBILE PHONE	CAUTION MOBILE PHONE	1	
**	87542	87542-GAR1-E00	MARK MAINT CAUTION	MARK MAINT CAUTION	1	
**	87560	87560-GFY6-E00	MARK DRIVE CAUTION	MARK DRIVE CAUTION	0	





86202



87140

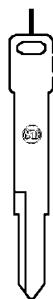
KYMCO

Sales mark	Ref no	Part no	Description	Reg description	Regd no	F24
------------	--------	---------	-------------	-----------------	---------	------------

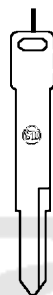
**	86202	86202-LKG7-E10	EMB BODY COVER	EMB BODY COVER	1	
**	87140	87140-LKG7-E10	EMB MARK 300i	EMB MARK 300i	1	



35111-LKC6-301-M1L



35111-LKC6-301-M1R



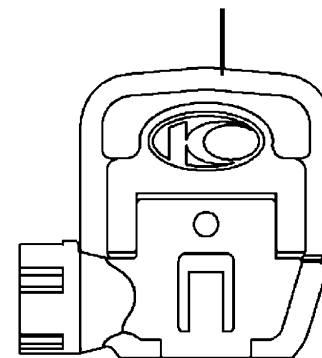
35111-LKC6-301-M2L



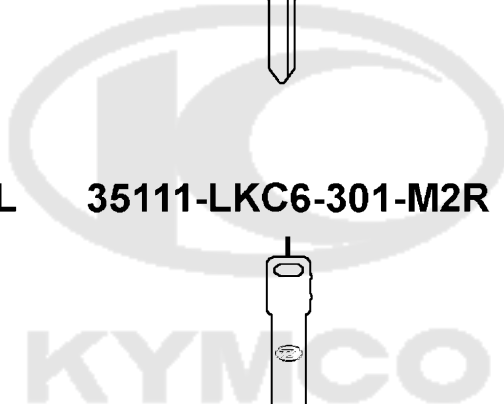
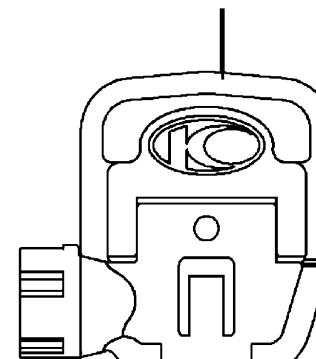
35111-LKC6-301-M2R



35111-LKC6-306-M1



35111-LKC6-306-M2



Sales mark	Ref no	Part no	Description	Reg description	Regd no	F25
	35111-LKC6-301-	35111-LKC6-301-M1L	KEY COMP (L TANGENT PLANE/SD)	KEY COMP (L TANGENT PLANE/SD)	1	
	35111-LKC6-301-	35111-LKC6-301-M1R	KEY COMP (R TANGENT PLANE/SD)	KEY COMP (R TANGENT PLANE/SD)	1	
	35111-LKC6-301-	35111-LKC6-301-M2L	KEY COMP (L TANGENT PLANE/TJ)	KEY COMP (L TANGENT PLANE/TJ)	1	
	35111-LKC6-301-	35111-LKC6-301-M2R	KEY COMP (R TANGENT PLANE/TJ)	KEY COMP (R TANGENT PLANE/TJ)	1	
	35111-LKC6-306-M1	35111-LKC6-306-M1	KEY COMP SHOTTER MAGNETIC (SD)	KEY COMP SHOTTER MAGNETIC (SD)	1	
	35111-LKC6-306-M2	35111-LKC6-306-M2	KEY COMP SHOTTER MAGNETIC (TJ)	KEY COMP SHOTTER MAGNETIC (TJ)	1	



PART NO. INDEX

PART NO.	VERSION	PAGE	PART NO.	VERSION	PAGE	PART NO.	VERSION	PAGE			
0000			1110A-LEA7-E05	0	E01	12209-GDB4-68A	0	E02			
			11203-LBA2-E00	2	E01	12251-LEA7-E00	4	E02			
			11203-LBA2-E00	2	F16	12310-LEA7-E00	5	E02			
			11212-LEA7-E00	1	F13	12391-LEA7-E00	5	E02			
0901-880-6000	0	E05	1121A-LEA7-E00	3	F13	13000					
0901-911-6000	0	E05	1122A-LEA7-E00	2	E01						
1000			11330-LEA7-E00	13	E04				13000-LEA7-E00	21	E03
			11340-LEA7-E01	2	E01				13011-LEA7-E00	2	E03
			1034-KAE0-7700	0	E05	11341-LEA7-E01	1	E01	13101-LEA7-E00	9	E03
			1190-C74-2000	0	E05	11344-LEA7-E00	0	E01	13111-LEA7-E00	2	E03
1190-C75-2000	0	E05	11345-LEA7-E00	1	E01	13314-LEA7-E0A	3	E01			
1614-868-0000	0	E05	11346-GFY6-901	0	E01	13314-LEA7-E0B	3	E01			
1614-906-0002	0	E05	11347-LEA7-E00	3	E06	13314-LEA7-E0C	3	E01			
3000			1134A-LEA7-E00	9	E01	13406-LEA7-E00	2	E02			
			1134B-LEA7-E00	0	E01	14000					
			11350-LEA7-E00	2	E01						
			3700-A35B-0100	0	E05				11384-LEA7-E05	2	E04
3791-HN80-0000	0	F10	11385-KGBG-900	0	F19						
4000			11394-LEA7-E00	9	E04	14100-LEA7-E00	12	E02			
			11395-LEA7-E00	2	E01	14321-LEA7-E00	6	E02			
			12000			14401-PWB1-900	2	E03			
						4115-803-1100-3	0	E05	14420-LEA7-E00	2	E02
11000						14430-LEA7-E00	2	E02			
						12100-LEA7-E00	7	E03	14433-PTA1-900	3	E02
			12191-LEA7-E00	2	E03	14434-PTA1-900	2	E02			
			11103-KHE7-900	0	E01	12200-LKG7-E00	0	E02	14452-LEA7-E00	4	E02

PART NO. INDEX

PART NO.	VERSION	PAGE	PART NO.	VERSION	PAGE	PART NO.	VERSION	PAGE
14453-LEA7-E00	5	E02	1565A-LGF9-E00	1	E04	17620-LEA7-315-M2	0	F10
14510-LEA7-E00	5	E03	15711-LEA7-E00	1	E07	17685-KZCZ-900	0	F05
14520-KED9-900	1	E03				17685-LKG7-E00	0	F10
14523-KED9-900	0	E03	16000			17910-LKG7-E00	6	F03
14531-KHE7-900	1	E03				17911-LKG7-E00	0	F03
14610-LEA7-E00	2	E03	1610K-LGE5-E00	2	E05			
14711-LEA7-E00	5	E02	16201-LEA7-E00	1	E02	18000		
14721-LEA7-E00	5	E02	16211-LEA7-E00	2	E02			
14751-LEA7-E00	6	E02				18291-KEBE-900	0	F14
14761-LEA7-E00	3	E02	17000			18291-KKC4-900	1	E01
14771-GDB4-680	2	E02				18291-PWB1-900	2	F14
14777-LBA2-E00	3	E02	1711A-LEA7-E05	2	E02	18292-KEBE-900	0	F14
14781-MFA6-001	0	E02	17211-LKG7-E00	0	F13	18293-KEBE-900	0	F14
15000			17213-LKG7-E00	0	F13	18293-KKC4-900	0	E01
			17214-LEA7-E00	2	F13	18294-KEBE-900	0	F14
			1723A-LKG7-E00	0	F13	18306-LKG7-E00	0	F14
15100-LEA7-E00	7	E07	1723B-LKG7-E00	0	F13	1830A-LKG7-E00	5	F14
15133-LGF9-E00	1	E07	17359-4K19-671	0	F13	18310-LKG7-E00	0	F14
15141-LGF9-E00	1	E07	1737A-KUDU-900	0	F13	18318-LKG7-E00	4	F14
15161-PUA5-E00	5	E01	17500-LKG7-E00	0	F10	18320-LKG7-E00	0	F14
15200-KED9-900	7	E01	17512-LKG7-E00	0	F10	18371-LEA7-E00	1	F14
1541A-LEA7-E00	6	E04	17530-KGB5-900	1	F05	18391-LEA7-E00	2	F14
15421-LEA7-E00	0	E01	17550-LEA7-800	2	F10			
15421-LEA7-E05	5	E01	17561-LGE5-E00	1	F10	19000		
15423-KKC3-900	1	E04	17582-LKG7-E00	0	F10			
15437-LEA7-E00	1	E04	17620-LEA7-315-M1	0	F10	19005-LFA7-E00	2	F21

PART NO. INDEX

PART NO.	VERSION	PAGE	PART NO.	VERSION	PAGE	PART NO.	VERSION	PAGE
19010-LKG7-E00	0	F21	19505-LBA2-E00	4	F21			
19012-LEA7-E05	1	F21	19507-LDB5-E00	1	F21	23000		
19013-LKG7-E00	0	F21	19508-LBA2-E00	0	E04			
19014-LKG7-E00	2	E04	19613-GFY6-901	0	E01	2301A-LGE5-E00	4	E06
19014-LKG7-E00	2	F21				23100-LEA7-E01	2	E06
19015-LEA5-E00	1	F21	21000			23200-LGE5-E00	1	E06
19016-LKG7-E00	0	F21				23220-LGE5-E00	2	E06
19020-KED9-900	1	F21	21301-LEA7-E00	3	E08	23225-LEA7-E00	1	E06
19025-LKG7-E00	0	F20	21395-LEA7-E00	2	E08	23226-LEA7-E00	1	E06
19030-KHD8-900	2	F21				23233-LEA7-E00	5	E06
19101-LKG7-E00	0	F21	22000			23237-KHE7-900	0	E06
19102-LKG7-E00	0	F21				23238-KHE7-900	0	E06
19104-LBA2-E00	1	F21	22100-LEA7-E00	5	E06	23411-LEA7-E00	9	E08
19105-LEA7-E00	2	F21	22102-LEA7-E00	4	E06	23420-LEA7-E00	4	E08
19111-PRB3-900	2	F21	22105-LGF9-E00	2	E06	23431-LEA7-E00	5	E08
19210-KKC4-900	0	F21	22110-LGE5-E00	2	E06	23432-LEA7-E00	2	E08
19215-LEA7-E00	1	E04	22121-LEA7-E00	4	E06			
19217-6G57-024	0	E04	22131-LGE5-E00	1	E06	28000		
19221-LGE5-E00	1	E04	22132-PWB1-900	4	E06			
19229-LEA7-E00	3	E04	22300-LGE5-E00	3	E06	28102-LEA7-E00	3	E07
19231-LEA7-E00	2	E04	22350-KHE7-900	1	E06	28110-LEA7-E00	3	E07
19232-LBA2-E00	2	E04	22361-LEA7-E00	1	E06	28120-LDB2-E00	0	E07
19300-LFA7-E0A	1	E02	22401-KHE7-900	2	E06	28130-LEA7-E00	4	E07
19315-LFA7-E00	5	E02	22530-LGE5-E00	2	E06			
19502-LEA7-E00	3	E04	22804-GBB2-001	0	E06			
19505-LBA2-E00	4	E04						

PART NO. INDEX

PART NO.	VERSION	PAGE	PART NO.	VERSION	PAGE	PART NO.	VERSION	PAGE
30000			32411-LKG7-E00	0	F11	34000		
			32412-LKG7-E00	0	E04			
3051A-LKF5-E00	3	F19	33000			34901-LEC8-E00	0	F01
30700-LDB5-E00	2	F19				34903-KPCP-900	0	F18
31000			33101-LKG7-E00	0	F01	34905-LCA5-E00	0	F18
			33130-LKG7-E00	0	F01	34905-LKG7-E00	0	F17
			33180-LKG7-E00	0	F01	35000		
31110-LKG7-E0A	0	E07	33400-LKG7-E00	0	F17			
31110-LKG7-E0B	0	E07	33406-LKG7-E00	0	F17	35010-LKG7-315-M1	0	F19
31120-LKG7-E0A	0	E07	33410-LKG7-E00	0	F17	35010-LKG7-315-M2	0	F19
31120-LKG7-E0B	0	E07	33450-LKG7-E00	0	F17	35101-LKG7-315-M1	0	F19
31210-LEA7-E00	3	E07	33456-LKG7-E00	0	F17	35101-LKG7-315-M2	0	F19
31340-LFH1-E00	1	F19	33460-LKG7-E00	0	F17	35102-KFB7-315-M1	0	F19
31500-LEA6-900	5	F11	33700-LKG7-E00	1	F18	35102-KFB7-315-M2	0	F19
31500-LEA6-90B	2	F11	33701-LKG7-E00	0	F18	35111-LKC6-301-M1L	0	F25
31519-LKG7-E00	0	F11	33705-LKG7-E00	0	F18	35111-LKC6-301-M1R	0	F25
31600-LKF5-E00	0	F19	33706-LKG7-E00	0	F18	35111-LKC6-301-M2L	0	F25
31601-LEA7-E00	2	F19	33707-LKG7-E00	0	F18	35111-LKC6-301-M2R	0	F25
3195A-LBA2-E00	1	F19	33708-KHE7-E00	0	F18	35111-LKC6-306-M1	0	F25
32000			33709-KHE7-E00	0	F18	35111-LKC6-306-M2	0	F25
			33720-LBB5-E00	3	F18	35119-LEB1-90A	0	F19
			33726-LBB5-E00	1	F18	35119-LEB1-90B	0	F19
32100-LKG7-E00	0	F19	33741-KHC5-M00	0	F18	3515A-LKG7-E00	0	F03
32105-LLJ3-E00	2	E01	33757-LKG7-E00	0	F18	3520A-KEBE-900	2	F03
32410-LEA7-E00	2	E07	33900-LKF5-E00	2	F12			

PART NO. INDEX

PART NO.	VERSION	PAGE	PART NO.	VERSION	PAGE	PART NO.	VERSION	PAGE
35340-KNBN-901	0	F04	3920A-LKG7-E00	0	F19	43352-KED9-900	0	F07
35350-KNBN-901	0	F04	39220-LKG2-900	1	F19	43352-KKD6-E90	1	F08
35370-LKG7-E00	0	F15	39300-LDF2-M90	2	E02	43353-4A61-77A	0	F08
35380-LKG2-900	1	F19	39301-LDF2-M90	2	E02	43353-KED9-900	0	F07
35390-LKF5-E00	2	F12	39400-LDF2-800	2	E02	43530-LEA7-305	0	F04
35420-LEA7-E00	2	F19	39450-LEA6-800	3	F14			
35500-KED9-900	6	E01				44000		
35850-KHB4-90A	2	F19	42000			44301-LEA7-E00	3	F07
35850-KHB4-90B	3	F19				44311-LEA7-E00	2	F07
37000			42311-LKG7-E00	0	F08	44312-LEA7-E00	4	F07
			42312-LKG7-E00	0	F08	44600-LEA7-305	0	F07
			42601-LEA7-E00	7	F08	44620-LEA7-E00	3	F07
37200-LKG7-E00	0	F02	42710-LKG7-E00	0	F08	44710-LKG7-E00	1	F07
37202-LKG7-E00	0	F02	42753-KNBN-90B	1	F07			
38000			42753-KNBN-90B	1	F08	45000		
			43000			45105-LGE5-305	0	F07
38110-KKC3-90B	2	F19				45105-LHG7-305	0	F08
38300-LEA7-E00	2	F19	43100-LKG7-E00	0	F08	45107-LGE5-E00	0	F07
38500-LGL3-90A	2	F19	43109-GBE2-007	0	F07	45107-LLJ3-E00	0	F08
38500-LGL3-90B	2	F19	43109-MCA3-007	0	F08	45108-LGE5-E00	0	F07
38500-LGL3-90D	2	F19	43126-LKG7-E00	0	F04	45109-GBE2-007	0	F07
39000			43156-KKC4-900	2	F16	45126-LKG7-E00	0	F04
			43156-LDB2-900	2	F16	45128-LBA2-920	1	F06
			43210-LKG7-E00	0	F08	45129-LBA2-900	1	F06
39100-LEA7-E00	2	F19	43351-LKG7-E00	0	F08			

PART NO. INDEX

PART NO.	VERSION	PAGE	PART NO.	VERSION	PAGE	PART NO.	VERSION	PAGE
4512A-LEA7-E00	5	F07	50353-LKG7-E00	1	F20	51401-LKG7-E00	0	F22
45130-LGE5-E00	0	F07	50356-LEA7-E00	1	F20	51404-LDH1-E00	0	F22
45131-LFB5-910	0	F08	50356-LEA7-E01	1	F20	51410-LKG7-E00	0	F22
45134-KED9-900	0	F07	50360-LEA7-E00	4	F20	51412-LEA7-E00	0	F22
45200-LKG7-E00	0	F07	50364-KHE7-E00	0	F20	51416-LDH1-E00	0	F22
45209-KED9-900	0	F08	50500-LKG7-E00	0	F15	51420-LEA7-E00	0	F22
45210-LKG7-305	0	F07	50502-LDF7-E10	0	F15	51422-KED9-900	0	F22
45352-LEA7-E00	4	F07	50504-LEA7-E05	1	E01	51424-LDH1-E00	0	F22
45513-LEA7-E00	1	F04	50505-KUDU-900	1	F15	51425-LKG7-E00	0	F22
45517-LBA2-E00	2	F04	50505-LEA7-E00	1	F15	51427-LDH1-E00	0	F22
45520-KKA8-900	0	F04	50506-KHE7-E00	0	F15	51427-LLJ3-E00	0	F22
45530-LBA2-309	0	F04	50530-LKG7-E00	0	F15	51429-LEA7-E00	0	F22
45531-GAR1-951	0	F08	50550-KKC2-E00	0	F15	51430-LGE5-E02	0	F08
45531-KED9-900	0	F07	50613-LKG7-E00	0	F20	51437-LDH1-E00	0	F22
			5070A-LKG7-E00	0	F20	51500-LKG7-E00	0	F06
50000			5070B-LKG7-E00	0	F20	51520-LEA7-E00	0	F22
			50710-LKG7-E00	0	F20			
50100-LKG7-E00	5	F20	50713-KEB7-900	0	F20	52000		
50154-KKE3-900	2	F19	50715-KEB7-900	0	F20			
50179-LKG7-E00	0	F20	50720-LKG7-E00	0	F20	52000-LKG7-E00	0	F16
50189-LKG7-E00	1	F20	50730-LKG7-E00	0	F20	52110-LKF5-E00	0	F16
50306-1F96-001	0	F06	50740-LKG7-E00	0	F20	52400-LKG7-E80	1	F16
50326-LKG7-E00	0	F11				52500-LKG7-E80	1	F16
5032A-LKF5-E00	0	F11	51000					
50350-LEA7-E00	6	F20						
50353-KGN7-901	0	F20	51400-LKG7-E00	1	F06			

PART NO. INDEX

PART NO.	VERSION	PAGE	PART NO.	VERSION	PAGE	PART NO.	VERSION	PAGE
53000			61000			64309-LKG7-E00	0	F05
53100-LKG7-E00	3	F03	61100-LKG7-E00	0	F06	64310-LKG7-E00	1	F05
53105-LEA7-E00	4	F03	61102-LEA7-E00	1	F06	64311-LKG7-E00	0	F05
53106-LEA7-E00	4	F03	61103-LEA7-E00	1	F06	64315-LKG7-E00	6	F20
53125-LEA7-E00	2	F03	61110-LKG7-E00	0	F05	64317-LKG7-E00	0	F05
53140-LEA7-E00	4	F03				64318-LKG7-E00	0	F05
53150-LEA6-900	4	F03	64000			64319-LKG7-E00	0	F05
53175-LKF5-E00	0	F04				64320-LKG7-E00	0	F05
53178-LKF5-E00	0	F04	64220-LKG7-E00	0	F03	64330-LKG7-E00	0	F05
53200-LKG7-E00	4	F06	64221-LEA7-E00	2	F03	64335-LKG7-E00	1	F05
53202-LKG7-E00	0	F03	64222-LEA7-E00	2	F03	64340-LKG7-E00	0	F05
53203-LKG7-E00	0	F03	64222-LLJ3-E00	1	F03	64345-LKG7-E00	1	F05
53204-LKG7-E00	0	F03	64222-LLJ3-E00	1	F06	64400-LKG7-E00	0	F05
53205-LEA7-E00	5	F03	64223-LEA7-E00	5	F03	64401-LKG7-E00	0	F05
53206-LEA7-E00	4	F03	64224-LEA7-E00	1	F03	77000		
53207-LKG7-E00	0	F03	64225-LEA7-E00	2	F03	77200-LKG7-E00	6	F09
53213-LBA2-E00	2	F06	64226-LEA7-E00	2	F03	77206-KEB7-900	0	F09
53214-LBA2-E00	2	F06	64301-LKG7-E00	1	F05	77210-LKG7-E00	4	F09
53214-LEA7-E00	3	F06	64302-LKG7-E00	0	F05	77235-KGC4-E0A	2	F19
53220-LBA2-E00	2	F06	64303-LKG7-E00	1	F05	77235-KGC4-E0B	2	F19
53240-LBA2-E00	2	F06	64304-LKG7-E00	0	F05	77240-LKG7-E00	0	F19
53250-LBA2-E00	2	F06	64305-LKG7-E00	0	F05	77259-LKG7-E00	1	F20
			64306-LKG7-E00	0	F05	77300-LHG8-E00	3	F09
			64308-LKG7-E00	0	F05	77303-KKC4-800	1	F09

PART NO. INDEX

PART NO.	VERSION	PAGE	PART NO.	VERSION	PAGE	PART NO.	VERSION	PAGE	
80000			81137-LKG7-E00	0	F05	83600-LKG7-E00	3	F12	
			81138-LKG7-E00	0	F05	83610-LKG7-E00	0	F05	
			8113A-LKG7-E00	1	F05	83620-LKG7-E00	0	F05	
	80100-LKG7-E00	0	F18	81141-LKG7-E00	0	F05	83630-LKG7-E00	0	F05
	80101-LKG7-E00	0	F18	81142-LKG7-E00	0	F05	83750-LKG7-E00	4	F12
	80103-LKG7-E00	0	F18	81160-LKG7-E00	2	F05	83751-LKG7-E00	0	F12
	80104-LKG7-E00	0	F18	81200-LKG7-E00	0	F12	83764-LKG7-E00	0	F05
	80105-LKG7-E00	0	F18	81210-LKG7-E00	1	F12	8376A-KEBE-900	4	F03
	80106-LKF5-E00	0	F18	81220-LKG7-E00	0	F12			
	80107-LKF5-E00	0	F18	81252-KKE5-E00	2	F12	86000		
	80108-LKG7-E00	0	F18	81260-LKG7-E00	0	F12			
	80114-KGG7-001	0	F06				86202-LKG7-E10	0	F24
	80151-LKG7-E00	0	F05	83000					
	80152-LKG7-E00	0	F05				87000		
80153-LKG7-E00	1	F05	83500-LKG7-E00	3	F12				
80154-LKG7-E00	0	F05	83510-LKG7-E00	0	F05	87140-LKG7-E10	0	F24	
81000			83520-LKG7-E00	0	F05	87505-LKG7-E00	0	F23	
			83530-LKG7-E00	0	F05	87508-KKC4-E00	1	F03	
			83532-LKG7-E00	0	F05	87512-KEBE-E00	0	F23	
	81131-LKG7-E00	1	F05	83534-LKG7-E00	0	F05	87541-GAR1-E00	1	F23
	81132-LKG7-E00	0	F05	83535-LKG7-E00	0	F05	87541-KKC2-E00	1	F23
	81133-LKG7-E00	0	F05	83536-LKG7-E00	0	F05	87542-GAR1-E00	2	F23
	81134-LKG7-E00	0	F05	83550-KEC8-900	0	F06	87560-GFY6-E00	3	F23
	81135-LKG7-E00	0	F05	83550-KEC8-900	0	F18			
	81136-LKG7-E00	0	F05	83551-KEC8-900	0	F06			
	81137-LHG7-E00	1	F05	83551-KEC8-900	0	F18			

PART NO. INDEX

PART NO.	VERSION	PAGE	PART NO.	VERSION	PAGE	PART NO.	VERSION	PAGE
88000			90105-KCR3-001	1	F08	90301-6D34-671	1	F21
			90105-LEA7-E00	1	F07	90301-GFY6-901	2	F14
			90106-GEN5-901	0	F03	90302-GFY6-940	1	F18
88110-LEA7-E00	3	F03	90106-KFC2-900	0	F12	90302-LKB9-900	1	F05
88120-LEA7-E00	3	F03	90106-LEA7-E00	1	F20	90302-LKB9-900	1	F12
88130-KEBE-900	1	F03	90107-LEA7-E00	3	F06	90302-LKB9-900	1	F13
89000			90108-KKC4-900	1	F15	90302-LKB9-910	1	F03
			90113-KKA8-900	0	F04	90302-LLB1-E00	2	F03
			90114-KED9-900	3	F20	90302-SDA4-004	2	F03
89010-LKF5-E00	2	F09	90116-LHG7-E00	0	F22	90304-GHE8-004	0	F03
90000			90117-KED9-950	0	F20	90304-GHE8-004	0	F16
			90122-LEA7-E00	1	F07	90304-GHE8-004	0	F20
			90122-LEA7-E00	1	F08	90304-LBD4-900	2	F20
90001-GBHB-661	2	E03	90131-KEBE-900	2	F16	90304-LEA1-900	1	F15
90001-GBHB-661	2	E07	90131-LKG7-E00	0	F14	90305-KKAK-900	0	F08
90001-GFY6-901	4	E02	90145-MKS9-61A	1	F04	90305-LBA2-E00	1	F06
90001-LEA7-E00	2	E02	90201-KHE7-900	1	E06	90305-LBD4-900	1	F20
90005-KEC8-900	3	E03	90201-KHR8-75A	1	E06	90312-LLJ3-E01	0	F03
9000B-KHD6-900	2	E02	90201-KHR8-75A	1	E07	90312-LLJ3-E01	0	F06
90012-3C33-001	1	E02	90202-LEA7-E00	1	E06	90401-KKJ9-001	0	E07
90017-KKE5-E00	4	E02	90206-0A01-001	2	E02	90401-LEA7-E00	1	E06
90032-LEA7-E00	2	E01	90301-6C93-001	1	F18	90402-LEA7-E00	4	E03
90033-KGB4-C00	0	E02	90301-6D34-671	1	F01	90403-LEA7-E00	1	E06
90084-KKF9-901	0	E04	90301-6D34-671	1	F05	90423-KKJ9-001	0	E04
9008A-KBE2-900	0	E04	90301-6D34-671	1	F10	90428-9H58-001	0	E04
90104-LEA7-E00	3	F03	90301-6D34-671	1	F12	90474-3C33-001	1	E01

PART NO. INDEX

PART NO.	VERSION	PAGE	PART NO.	VERSION	PAGE	PART NO.	VERSION	PAGE
90478-7L00-001	0	E02	91009-KHE7-900	0	E01			
90478-7L00-001	0	E04	91201-LEA7-E00	1	E01	92000		
90503-LEA7-E00	2	F06	91202-KGB4-C00	1	E04			
9052A-LEB1-900	1	E01	91202-LEA7-E00	4	E08	92000-05016-0H	0	E02
90544-KEC8-900	0	F22	91202-LEA7-E0A	3	E08	92101-05008-0A	0	E01
90545-3L00-001	2	F04	91211-KHE7-900	0	E06	92101-05012-0H	0	E07
90601-LLJ3-E00	0	F22	91251-LLJ3-E00	0	F22	92101-05032-0H	0	E07
90605-1F66-721	0	E06	91255-KHE7-900	0	E01	92900-06040-0E	2	E02
90651-LKG7-E00	0	F19	91255-LGE5-E00	1	F16			
90651-LLJ3-E00	0	F22	91255-LLB1-900	1	F16	93000		
90652-KHE7-900	0	F13	91301-2L00-001	0	E01			
90652-LCA4-E00	1	F18	91301-LDF2-M90	2	E02	93401-06020-07	0	F14
90652-LDG7-900	1	E02	91302-5G67-004	0	E04	93404-06012-06	0	F11
90652-LFB5-900	2	F03	91302-LDF2-M90	2	E02	93404-06016-06	0	F03
90652-LFB5-900	2	F05	91302-LEA7-E00	1	E02	93404-06016-06	0	F05
90652-LKG7-E00	0	F05	91303-3G77-001	0	E04	93404-06016-06	0	F12
90656-KCBC-900	0	F19	91303-LEA7-E00	1	E04	93404-06016-06	0	F15
90701-9E65-001	0	E01	91306-1E05-691	0	E03	93404-06016-06	0	F18
90754-LLJ3-E00	1	F07	91306-PUA5-E00	3	E01	93404-06016-06	0	F20
90914-LEA7-E05	2	F21	91307-0E35-001	0	E04	93404-06016-06	0	F21
			91307-PUA5-E00	3	E01	93404-06025-06	0	F21
91000			91309-4E25-004	0	E07	93404-06035-06	0	F13
			91313-KED9-900	3	E01	93500-03010-1A	0	E07
91002-GGA7-70A	0	E06	91351-KHE7-900	0	E06	93500-KHC4-90A	0	F19
91004-LEA7-E00	1	E06	91507-LEA7-E00	1	F19	93600-04012-1G	0	F04
91005-LBA7-900	1	E01	91552-LEA7-E00	1	E01	93600-06032-0H	2	E07

PART NO. INDEX

PART NO.	VERSION	PAGE	PART NO.	VERSION	PAGE	PART NO.	VERSION	PAGE
93892-04008-18	0	E05				94303-04065	0	E07
93893-04012-18	0	F04	94000			94401-25140	4	E03
93903-14360	0	F14				94510-10000	0	E07
93903-25460	0	F13	94050-05080	0	F18	94510-14000	0	E04
93903-34260	0	F03	94050-05080	0	F19	94510-25000	0	E08
93903-34360	0	F03	94050-06060	0	F04	94520-28000	0	E06
93903-34360	0	F05	94050-06060	0	F10	94520-47000	0	E01
93903-35260	0	F03	94050-06060	0	F20	94520-47000	0	F16
93903-35260	0	F05	94050-06060	0	F21	94540-05018	0	F05
93903-35260	0	F17	94050-06080	0	E02	94591-KFBF-900	2	E07
93903-35260	0	F18	94050-06080	0	F09	94591-KFBF-900	2	F19
93903-35260	0	F20	94050-06080	0	F19	94591-KFBF-900	2	F20
93903-35320	0	F02	94050-10060	0	E01	94591-KFBF-900	2	F21
93903-35360	0	F01	94101-06000	0	F20	94601-17000	0	E03
93903-35360	0	F06	94101-08600	0	F15	94608-LLJ3-E00	0	F22
93903-45260	0	F03	94101-LBA2-E00	1	F20			
93903-45260	0	F05	94102-LBA2-E00	1	F20	95000		
93903-45260	0	F11	94251-08400	0	F15			
93903-45260	0	F12	94251-08400	0	F20	95002-02080	0	F05
93903-45260	0	F17	94301-08100	1	E02	95002-02100	0	F21
93903-45360	0	F18	94301-08140	0	E04	95002-02120	1	F13
93903-GFY6-900	1	F03	94301-10160	0	E01	95002-50000	0	E01
93903-KEB7-900-06	1	F03	94301-10160	0	E04	95002-70000	0	F21
93903-KEB7-900-06	1	F05	94301-10160	0	E08	95014-72204	0	F15
			94301-12200	1	E02	95701-06008-06	1	F06
			94301-12200	1	E03	95701-06012-06	1	F06

PART NO. INDEX

PART NO.	VERSION	PAGE	PART NO.	VERSION	PAGE	PART NO.	VERSION	PAGE
95701-06016-06	1	F03	96001-06012-08	0	E07	98200-31000	1	F11
95701-06016-06	1	F18	96001-06020-06	0	E01	98200-31000	1	F19
95701-06016-06	1	F20	96001-06022-06	1	E04	98200-31500	0	F11
95701-06016-08	0	E02	96001-06025-06	0	E02	98200-31500	0	F19
95701-06022-06	1	F14	96001-06025-06	0	E03	98200-33000	0	F11
95701-06045-06	0	F06	96001-06028-06	0	E04	98200-33000	0	F19
95701-06045-06	0	F20	96001-06028-06	0	F04	98200-LKF5-E00	0	F19
95701-08012-08	0	E01	96001-06030-08	0	E01			
95701-08012-08	0	F19	96001-06035-06	0	E04	W		
95701-08035-08	0	E08	96001-06070-08	0	E01			
95701-08040-08	0	E08	96001-06080-08	0	E01	W1792-048-9901	0	E05
95701-LDF2-800	2	F10	96001-GFY6-900	1	F13			
95701-LEA5-E00	1	F19	96100-62050-00	2	E08			
95801-08025-06	0	F03	96100-63020-00	0	E01			
95801-08040-08	0	F06	96100-63020-00	0	E08			
95801-10030-06	0	F15	96100-63040-00	1	E08			
95801-10040-02	0	F16	96150-60020-10	0	F07			
95801-10060-06	0	F16	96150-62040-10	0	F16			
			96211-08000	0	F20			
96000			96600-08015-10	1	E07			
			96600-LGE5-E00	0	F07			
96001-06010-00	0	E04	96700-KED9-900	2	F06			
96001-06010-06	0	E02						
96001-06012-06	0	F06	98000					
96001-06012-06	0	F16						
96001-06012-06	0	F19	98059-57916-00	2	E02			