

# PARTS CATALOGUE



## SCOOTERS

SF10JA(MK)

GRAND DINK 50



檔車

Motorcycles



速克達

Scooters



全地型車

ATV



代步車

Mobilescooters

Release Date : 2013/05/28  
Print Date : 2013/07/23

## ABOUT THIS PARTS LIST

- This parts list is compiled all service parts for model SF10JA(MK).
- Any difference between color chart and motorcycle will be revised according to motorcycle.
- The Mark:
  1. Marking "\*\*\*" must add color code in the end before ordering parts.
  2. Marking "#" are parts with modification, Please find the details from e-Parts system.
- When modification or additions to this parts list are made a revised edition at an appropriate time.



# CONTENTS

● ABOUT THIS PARTS LIST .....	1
● COLOR CHART OF SF10JA(MK) .....	3
● CONTENTS-ENGINE GROUP .....	12
● CONTENTS-FRAME GROUP .....	14
● ENGINE PARTS LIST .....	17
● FRAME PARTS LIST .....	47
● PART NO. INDEX .....	119

NO	MODEL			COLOR CHART OF SF10JA(MK)			
	PHOTO NO			NO. 1	NO. 2	NO. 3	NO. 4
	BASIC COLOR				Bright Blue	Black Diamond	
	CODE				Bright Blue	Black Diamond	
	PARTS NAME	PARTS NO.	VERSION	PB107MA	PB107MA	NH191PA	NH045MA
1	CUSHION ASSY RR	52400-LBD5-E00	2	M2S			
2	LEVER R STRG HNDL	53175-KFA5-E10	0	M3A			
3	LEVER L STRG HNDL	53178-KFA5-E10	0				
4	GRIP COMP THROT	53140-KKC3-900	0				
5	GRIP L HANDLE	53166-KGB5-900	0				
6	COVER R HANDLE LOW	53206-KKC4-900	1				
7	COVER L HANDLE LOW	53207-KKC4-900	0				
8	GRID R METER COVER	53214-KKC4-900	0				
9	GRID L METER COVER	53224-KKC4-900	0				
10	FLOOR PANEL	64310-KKC4-900	0				
11	COVER R PILLION STEP	64311-KKC4-900	3				
12	GRID R PILLION STEP	64312-KKC4-900	3				
13	MAT FLOOR	64320-KKC4-900	0				
14	COVER L PILLION STEP	64321-KKC4-900	3	N1R			
15	GRID L PILLION STEP	64322-KKC4-900	1				
16	COVER CENTER	80151-KKC4-900	0				
17	LEG SHIELD	81131-KKC4-900	0				
18	LID LEG SHIELD	81132-KEB7-900	1				
19	LID LEG SHIELD WIND	81132-LDA5-E00	2				
20	GRID R LEG SHIELD	81137-KKC4-900	0				
21	GRID L LEG SHIELD	81147-KKC4-900	0				
22	SIDE R GRIP	81400-KKC4-900	0				
23	SIDE L GRIP	81500-KKC4-900	0				
24	BAND HARNESS WIRE	90656-KUDU-900	0				
25	COVER METER	53204-KKC4-900	2	N8P		N1R	
DATE OF STARTING-SALES							
DATE OF END-SALES							

NO	MODEL			COLOR CHART OF SF10JA(MK)			
	PHOTO NO			NO. 5	NO. 6	NO. 7	NO. 8
	BASIC COLOR			Bright Silver		Dark Gray Metallic	Ruby Red
	CODE			Bright Silver		Dark Gray Metallic	Ruby Red
	PARTS NAME	PARTS NO.	VERSION	NH045MA	NH124MA	NH124MA	RR004CA
1	CUSHION ASSY RR	52400-LBD5-E00	2	M2S			
2	LEVER R STRG HNDL	53175-KFA5-E10	0	M3A			
3	LEVER L STRG HNDL	53178-KFA5-E10	0				
4	GRIP COMP THROT	53140-KKC3-900	0				
5	GRIP L HANDLE	53166-KGB5-900	0				
6	COVER R HANDLE LOW	53206-KKC4-900	1				
7	COVER L HANDLE LOW	53207-KKC4-900	0				
8	GRID R METER COVER	53214-KKC4-900	0				
9	GRID L METER COVER	53224-KKC4-900	0				
10	FLOOR PANEL	64310-KKC4-900	0				
11	COVER R PILLION STEP	64311-KKC4-900	3				
12	GRID R PILLION STEP	64312-KKC4-900	3				
13	MAT FLOOR	64320-KKC4-900	0				
14	COVER L PILLION STEP	64321-KKC4-900	3	N1R			
15	GRID L PILLION STEP	64322-KKC4-900	1				
16	COVER CENTER	80151-KKC4-900	0				
17	LEG SHIELD	81131-KKC4-900	0				
18	LID LEG SHIELD	81132-KEB7-900	1				
19	LID LEG SHIELD WIND	81132-LDA5-E00	2				
20	GRID R LEG SHIELD	81137-KKC4-900	0				
21	GRID L LEG SHIELD	81147-KKC4-900	0				
22	SIDE R GRIP	81400-KKC4-900	0				
23	SIDE L GRIP	81500-KKC4-900	0				
24	BAND HARNESS WIRE	90656-KUDU-900	0				
25	COVER METER	53204-KKC4-900	2	N1R	N8P		
DATE OF STARTING-SALES							
DATE OF END-SALES							

NO	MODEL			COLOR CHART OF SF10JA(MK)							
	PHOTO NO			NO. 9							
	BASIC COLOR										
	CODE										
	PARTS NAME	PARTS NO.	VERSION	RR004CA							
1	CUSHION ASSY RR	52400-LBD5-E00	2	M2S							
2	LEVER R STRG HNDL	53175-KFA5-E10	0	M3A							
3	LEVER L STRG HNDL	53178-KFA5-E10	0								
4	GRIP COMP THROT	53140-KKC3-900	0								
5	GRIP L HANDLE	53166-KGB5-900	0								
6	COVER R HANDLE LOW	53206-KKC4-900	1								
7	COVER L HANDLE LOW	53207-KKC4-900	0								
8	GRID R METER COVER	53214-KKC4-900	0								
9	GRID L METER COVER	53224-KKC4-900	0								
10	FLOOR PANEL	64310-KKC4-900	0								
11	COVER R PILLION STEP	64311-KKC4-900	3								
12	GRID R PILLION STEP	64312-KKC4-900	3	N1R							
13	MAT FLOOR	64320-KKC4-900	0								
14	COVER L PILLION STEP	64321-KKC4-900	3								
15	GRID L PILLION STEP	64322-KKC4-900	1								
16	COVER CENTER	80151-KKC4-900	0								
17	LEG SHIELD	81131-KKC4-900	0								
18	LID LEG SHIELD	81132-KEB7-900	1								
19	LID LEG SHIELD WIND	81132-LDA5-E00	2								
20	GRID R LEG SHIELD	81137-KKC4-900	0								
21	GRID L LEG SHIELD	81147-KKC4-900	0								
22	SIDE R GRIP	81400-KKC4-900	0								
23	SIDE L GRIP	81500-KKC4-900	0								
24	BAND HARNESS WIRE	90656-KUDU-900	0								
25	COVER METER	53204-KKC4-900	2					N8P			
DATE OF STARTING-SALES											
DATE OF END-SALES											

NO	MODEL			COLOR CHART OF SF10JA(MK)							
	PHOTO NO			NO. 1	NO. 2	NO. 3	NO. 4				
	BASIC COLOR				Bright Blue	Black Diamond					
	CODE				Bright Blue	Black Diamond					
	PARTS NAME	PARTS NO.	VERSION	PB107MA	PB107MA	NH191PA	NH045MA				
26	LID RESERVE TANK	81136-LDA5-E00	1	N8P			N1R				
27	COVER L SIDE	11341-KEB7-900	3	N8A							
28	METER COVER FR	37203-KKC3-900	0	N8P							
29	METER COVER UPPER	37204-LDA5-E00	1								
30	COVER HNDL UP	53205-KKC4-900	2								
31	GRILL HANDLE UP	53208-KKC4-900	0								
32	COVER HANDLE L PLUG	53216-LDA5-E00	1								
33	FENDER FR	61110-KHD8-900	2	BAM		HTP	N8P				
34	COVER SCREEN	64301-KKC4-900	0	BAP							
35	MOLDING FR	64302-KKC4-900	0								
36	SKIRT R SIDE	64305-KKC4-900	2								
37	SKIRT L SIDE	64306-KKC4-900	2								
38	COWL UNDER	64400-KKC4-900	0								
39	COVER R BODY	83500-KKC4-900	0								
40	COVER L BODY	83600-KKC4-900	1								
41	COVER RR CENTER	83750-KKC4-900	2	NJA							
42	MIRROR ASSY R BACK	88110-KKC3-900	4								
43	MIRROR ASSY L BACK	88120-KKC3-900	4								
44	METER COVER LOWER	37205-LDA5-E00	1					BAM		R1P	N8P
45	WHEEL COMP RR CAST	42601-KEB7-E0E	2								
46	WHEEL SET FR	44650-KHD8-30A	3								
47	WHEEL SET FR	44650-KHD8-30C	4								
48	CALIPER ASSY FR	45200-KKC2-E00	1								
49	FORK ASSY R FR	51400-KKC4-900	2								
50	BOTTOM CASE R	51420-KKC4-900	0								
DATE OF STARTING-SALES											
DATE OF END-SALES											

NO	MODEL			COLOR CHART OF SF10JA(MK)			
	PHOTO NO			NO. 5	NO. 6	NO. 7	NO. 8
	BASIC COLOR			Bright Silver		Dark Gray Metallic	Ruby Red
	CODE			Bright Silver		Dark Gray Metallic	Ruby Red
	PARTS NAME	PARTS NO.	VERSION	NH045MA	NH124MA	NH124MA	RR004CA
26	LID RESERVE TANK	81136-LDA5-E00	1	N1R	N8P		
27	COVER L SIDE	11341-KEB7-900	3	N8A			
28	METER COVER FR	37203-KKC3-900	0	N8P			
29	METER COVER UPPER	37204-LDA5-E00	1				
30	COVER HNDL UP	53205-KKC4-900	2				
31	GRILL HANDLE UP	53208-KKC4-900	0				
32	COVER HANDLE L PLUG	53216-LDA5-E00	1				
33	FENDER FR	61110-KHD8-900	2				
34	COVER SCREEN	64301-KKC4-900	0				
35	MOLDING FR	64302-KKC4-900	0				
36	SKIRT R SIDE	64305-KKC4-900	2				
37	SKIRT L SIDE	64306-KKC4-900	2				
38	COWL UNDER	64400-KKC4-900	0	N8P	NFP	R1P	
39	COVER R BODY	83500-KKC4-900	0	NJA			
40	COVER L BODY	83600-KKC4-900	1				
41	COVER RR CENTER	83750-KKC4-900	2				
42	MIRROR ASSY R BACK	88110-KKC3-900	4				
43	MIRROR ASSY L BACK	88120-KKC3-900	4				
44	METER COVER LOWER	37205-LDA5-E00	1				
45	WHEEL COMP RR CAST	42601-KEB7-E0E	2				
46	WHEEL SET FR	44650-KHD8-30A	3				
47	WHEEL SET FR	44650-KHD8-30C	4				
48	CALIPER ASSY FR	45200-KKC2-E00	1				
49	FORK ASSY R FR	51400-KKC4-900	2				
50	BOTTOM CASE R	51420-KKC4-900	0				
DATE OF STARTING-SALES							
DATE OF END-SALES							



NO	MODEL			COLOR CHART OF SF10JA(MK)			
	PHOTO NO			NO. 9			
	BASIC COLOR						
	CODE						
	PARTS NAME	PARTS NO.	VERSION	RR004CA			
26	LID RESERVE TANK	81136-LDA5-E00	1	N8P			
27	COVER L SIDE	11341-KEB7-900	3	N8A			
28	METER COVER FR	37203-KKC3-900	0	N8P			
29	METER COVER UPPER	37204-LDA5-E00	1				
30	COVER HNDL UP	53205-KKC4-900	2				
31	GRILL HANDLE UP	53208-KKC4-900	0				
32	COVER HANDLE L PLUG	53216-LDA5-E00	1				
33	FENDER FR	61110-KHD8-900	2				
34	COVER SCREEN	64301-KKC4-900	0	R1P			
35	MOLDING FR	64302-KKC4-900	0				
36	SKIRT R SIDE	64305-KKC4-900	2				
37	SKIRT L SIDE	64306-KKC4-900	2				
38	COWL UNDER	64400-KKC4-900	0				
39	COVER R BODY	83500-KKC4-900	0				
40	COVER L BODY	83600-KKC4-900	1				
41	COVER RR CENTER	83750-KKC4-900	2				
42	MIRROR ASSY R BACK	88110-KKC3-900	4				
43	MIRROR ASSY L BACK	88120-KKC3-900	4				
44	METER COVER LOWER	37205-LDA5-E00	1				
45	WHEEL COMP RR CAST	42601-KEB7-E0E	2				
46	WHEEL SET FR	44650-KHD8-30A	3				
47	WHEEL SET FR	44650-KHD8-30C	4				
48	CALIPER ASSY FR	45200-KKC2-E00	1				
49	FORK ASSY R FR	51400-KKC4-900	2				
50	BOTTOM CASE R	51420-KKC4-900	0				
DATE OF STARTING-SALES							
DATE OF END-SALES							













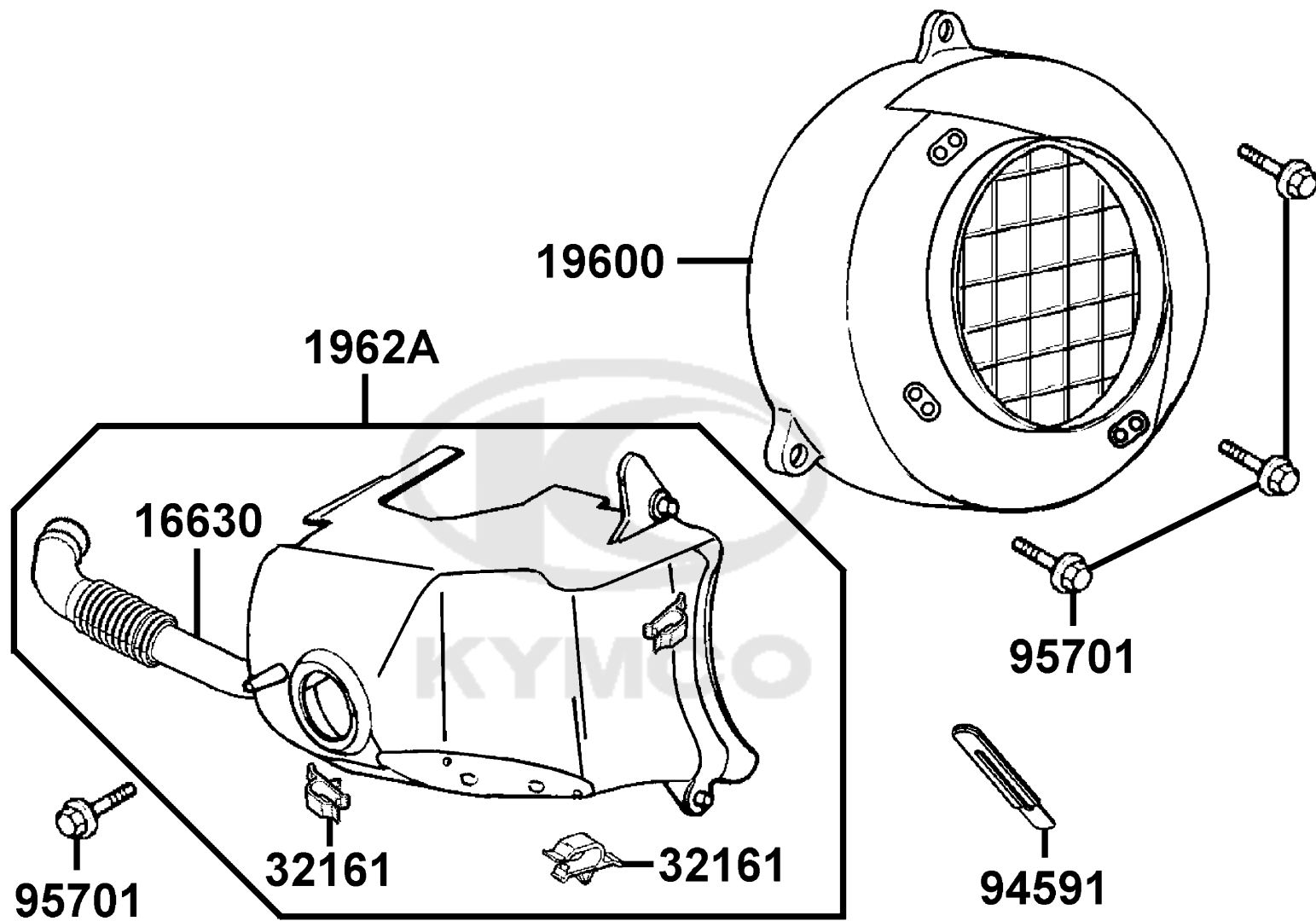






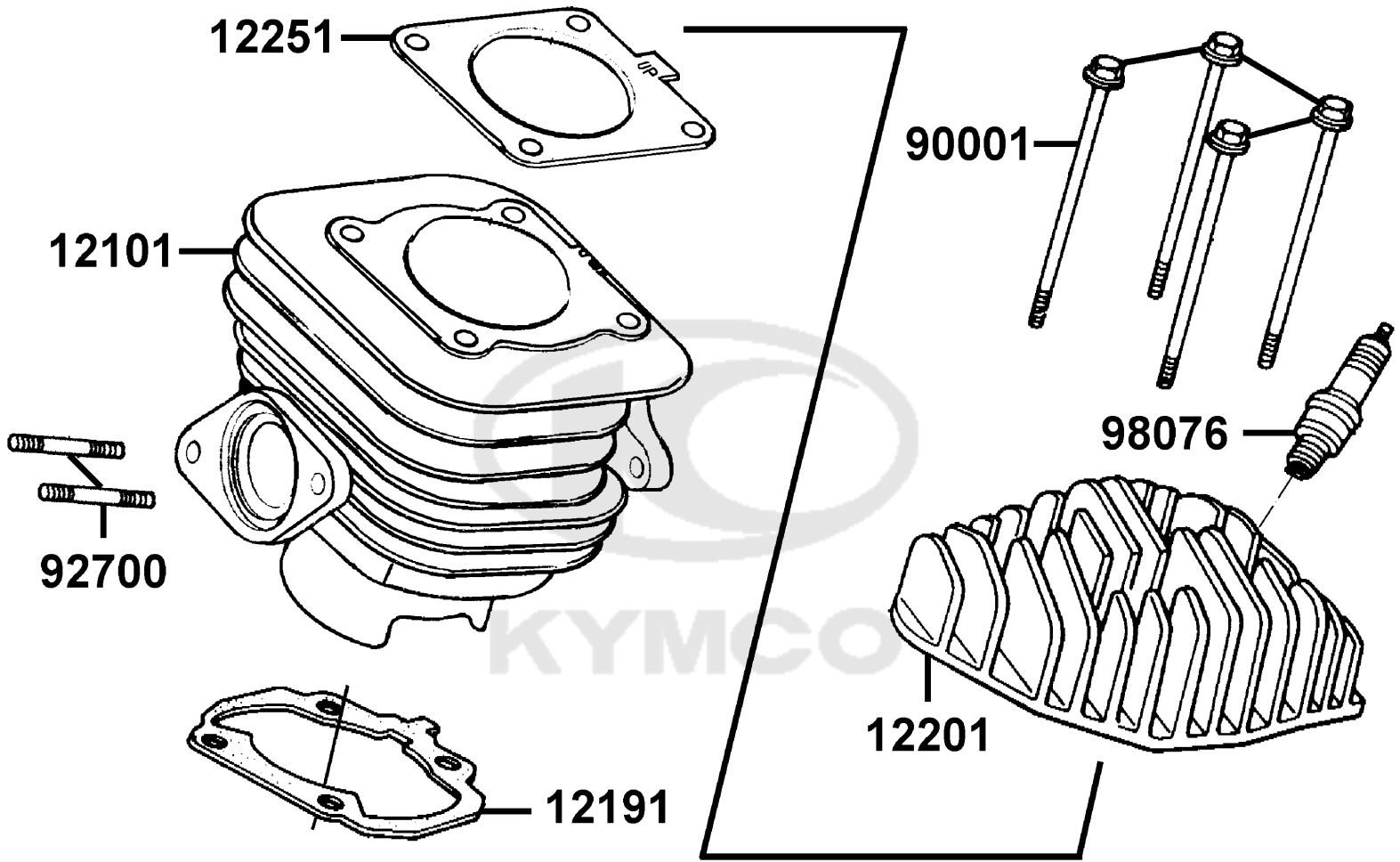
E01

Fan CoverShroud

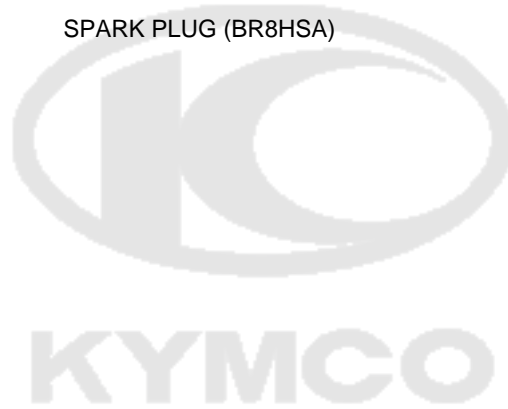


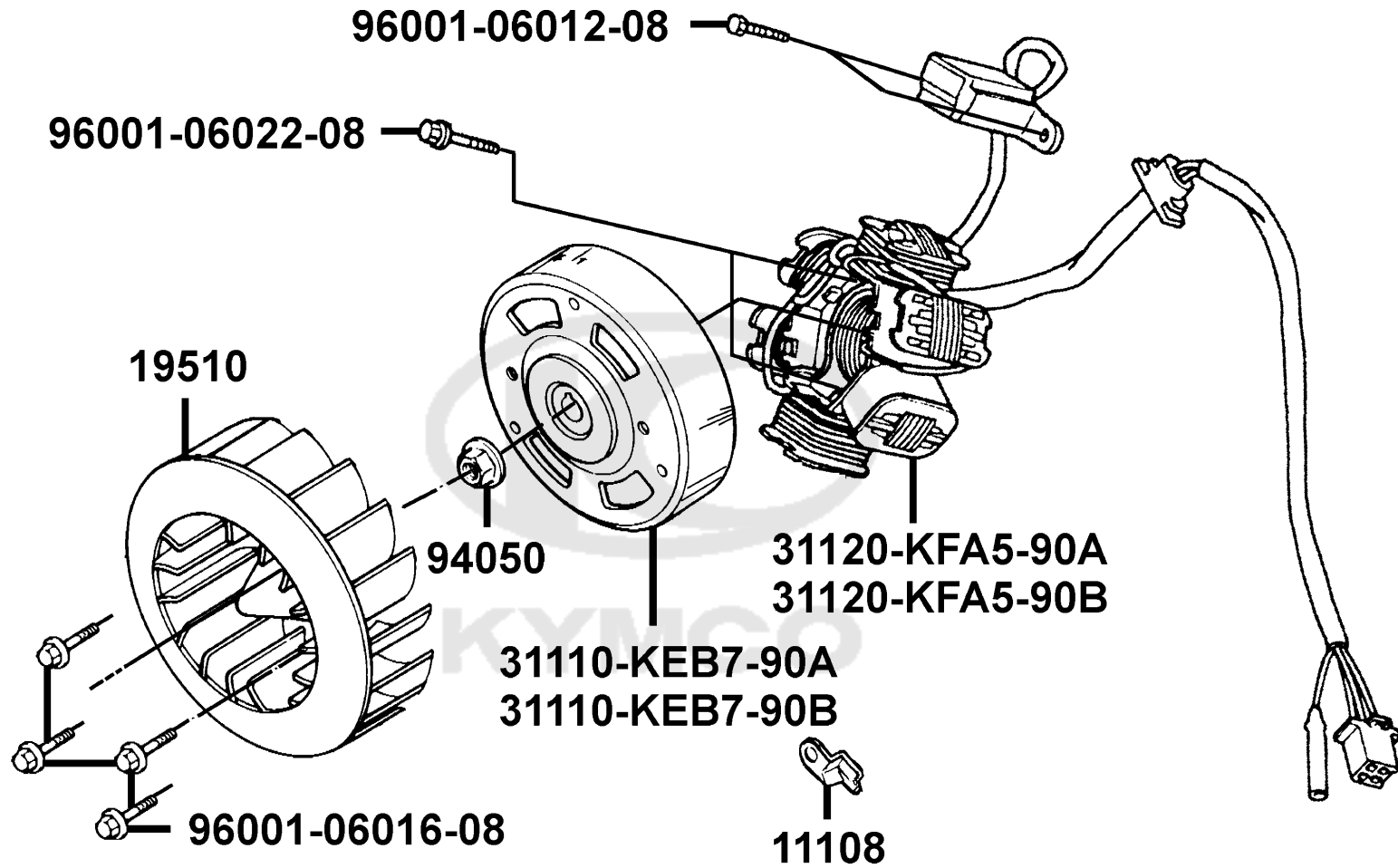
Sales mark	Ref no	Part no	Description	Reg description	Regd no	<b>E01</b>
16630		16630-KEB7-E00	DUCT HEAT TRANSFER	DUCT HEAT TRANSFER	1	
19600		19600-KEB7-900	COVER COMP FAN	COVER COMP FAN	1	
1962A		1962A-KEB7-900	CLIP SET SHROUD	CLIP SET SHROUD	1	
32161		32161-3C93-004	CLIP HARNESS WIRE	CLIP HARNESS WIRE	2	
94591		94591-KFBF-900	CLIP 2*70	CLIP 2*70	1	
95701		95701-06025-08	BOLT FLANGE 6*25	BOLT FLANGE 6*25	4	



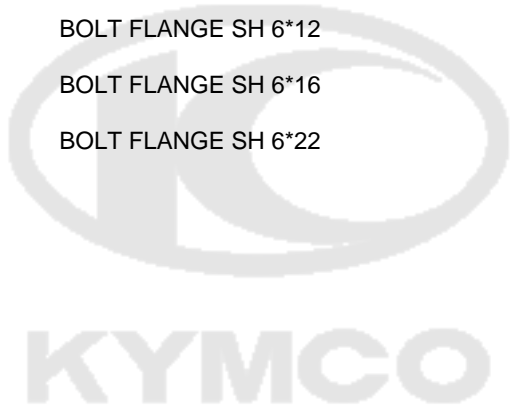


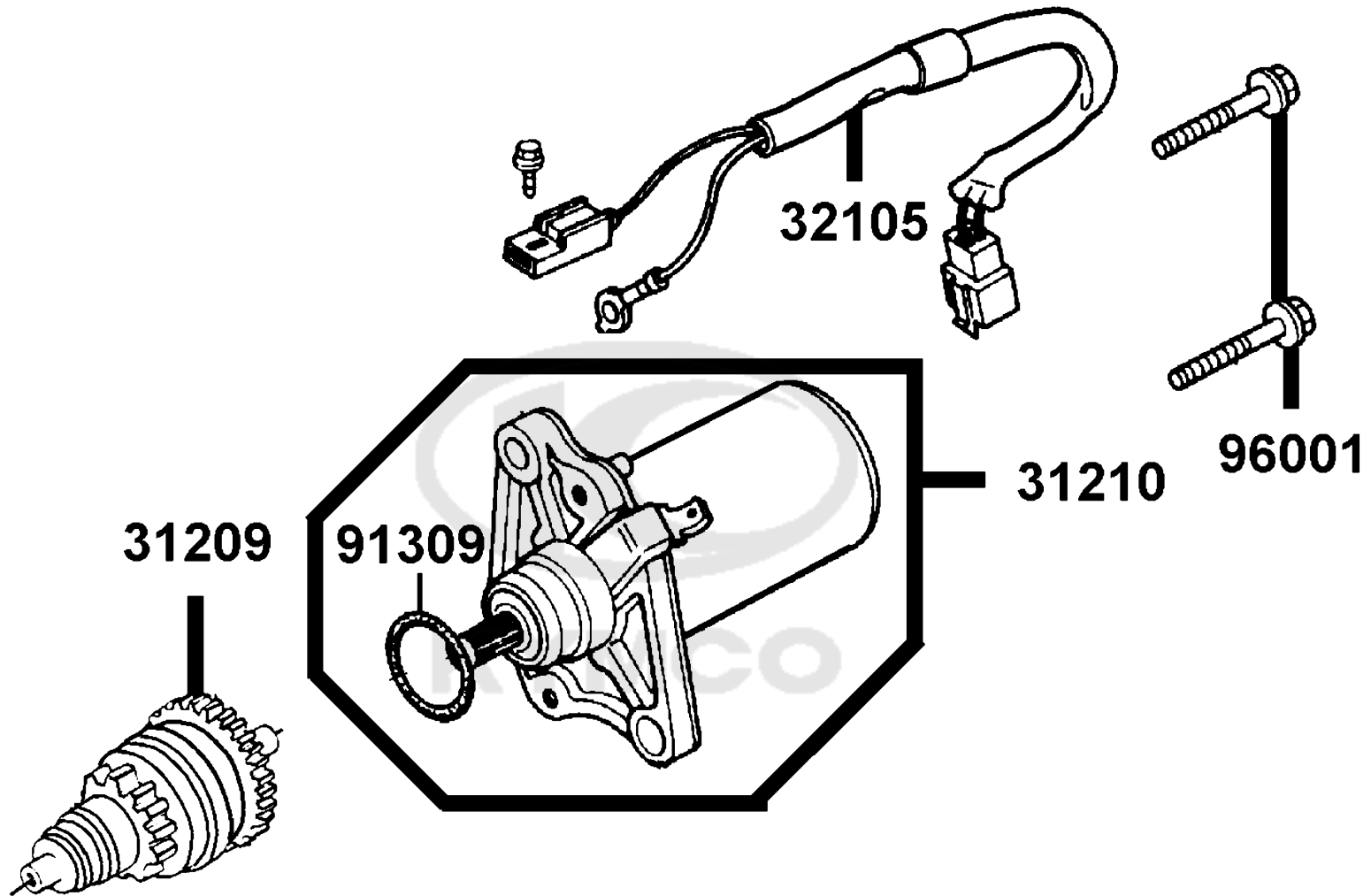
Sales mark	Ref no	Part no	Description	Reg description	Regd no	<b>E02</b>
	12101	12101-KEB7-901	CYLINDER	CYLINDER	1	
	12191	12191-KEB7-900	GASKET CYLINDER	GASKET CYLINDER	1	
	12191	12191-KEB7-980	GASKET CYLINDER @A	GASKET CYLINDER @A	1	
	12201	12201-KEB7-900	HEAD CYLINDER	HEAD CYLINDER	1	
	12251	12251-KEB7-900	GASKET CYLINDER HEAD	GASKET CYLINDER HEAD	1	
	90001	90001-GKAK-901	BOLT FLANGE 7*100	BOLT FLANGE 7*100	4	
	92700	92700-06028-1B	BOLT STUD 6*28	BOLT STUD 6*28	2	
	98076	98076-5871G-00	SPARK PLUG (BR8HSA)	SPARK PLUG (BR8HSA)	1	





Sales mark	Ref no	Part no	Description	Reg description	Regd no	<b>E03</b>
	11108	11108-KEB7-900	HOLDER STATOR WIRE	HOLDER STATOR WIRE	1	
	19510	19510-GBW2-901	FAN COMP COOLING	FAN COMP COOLING	1	
	31110-KEB7-90A	31110-KEB7-90A	FLYWHEEL COMP /D402	FLYWHEEL COMP /D402	1	
	31110-KEB7-90B	31110-KEB7-90B	FLYWHEEL COMP /D406	FLYWHEEL COMP /D406	1	
	31120-KFA5-90A	31120-KFA5-90A	STATOR COMP /D402	STATOR COMP /D402	1	
	31120-KFA5-90B	31120-KFA5-90B	STATOR COMP /D406	STATOR COMP /D406	1	
	94050	94050-10080	NUT FLANGE 10MM	NUT FLANGE 10MM	1	
	96001-06012-08	96001-06012-08	BOLT FLANGE SH 6*12	BOLT FLANGE SH 6*12	2	
	96001-06016-08	96001-06016-08	BOLT FLANGE SH 6*16	BOLT FLANGE SH 6*16	4	
	96001-06022-08	96001-06022-08	BOLT FLANGE SH 6*22	BOLT FLANGE SH 6*22	2	





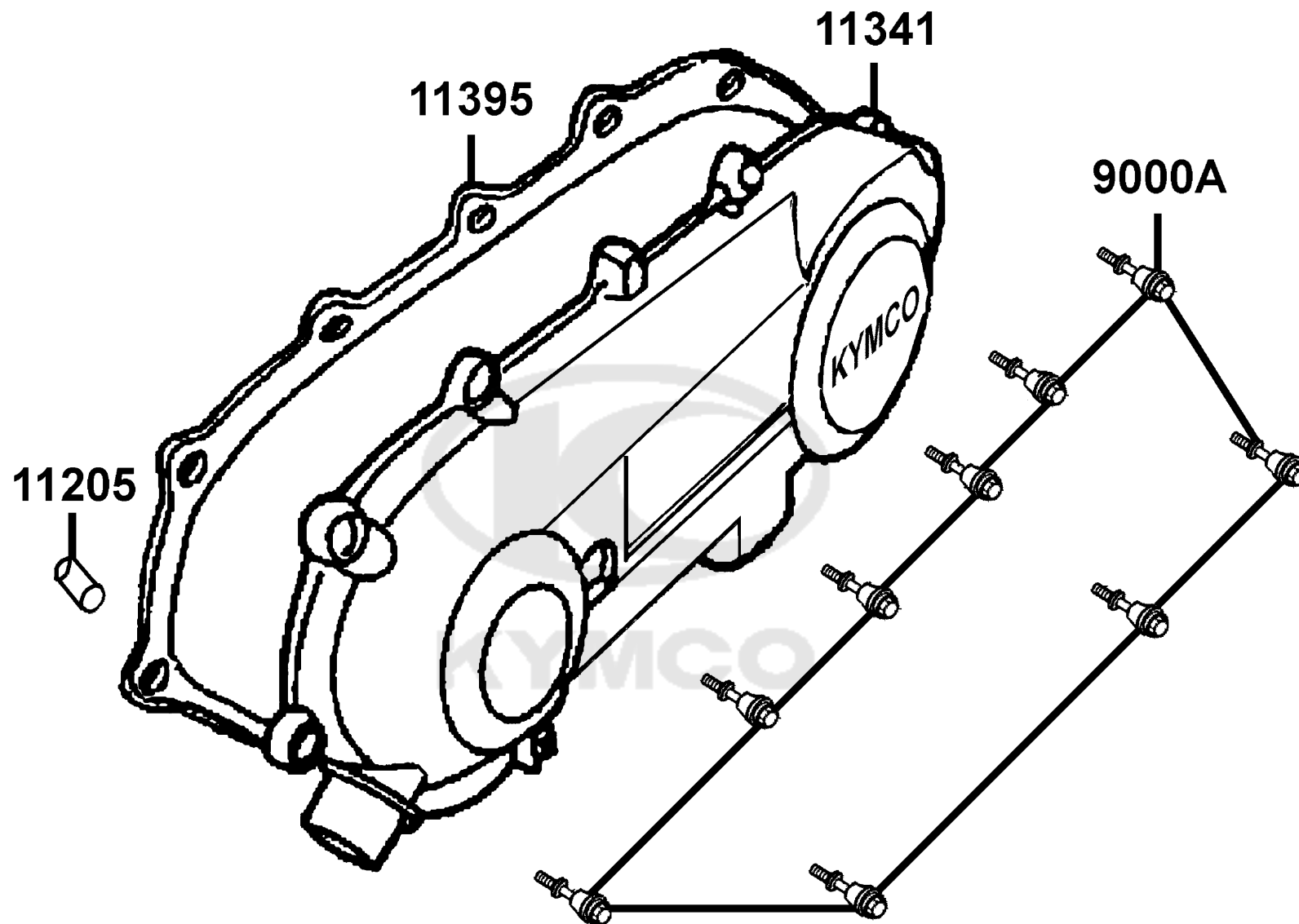


Sales mark	Ref no	Part no	Description	Reg description	Regd no	<b>E04</b>
31209	31209-GKAK-901	31209-GKAK-901	PINION ASSY STARTER	PINION ASSY STARTER	1	
31210	31210-GKAK-901	31210-GKAK-901	MOTOR UNIT START	MOTOR UNIT START	1	
32105	32105-KFA5-900	32105-KFA5-900	SUB HARNESS	SUB HARNESS	1	
91309	91309-GKAK-901	91309-GKAK-901	O RING	O RING	1	
96001	96001-06025-08	96001-06025-08	BOLT FLANGE SH 6*25	BOLT FLANGE SH 6*25	2	



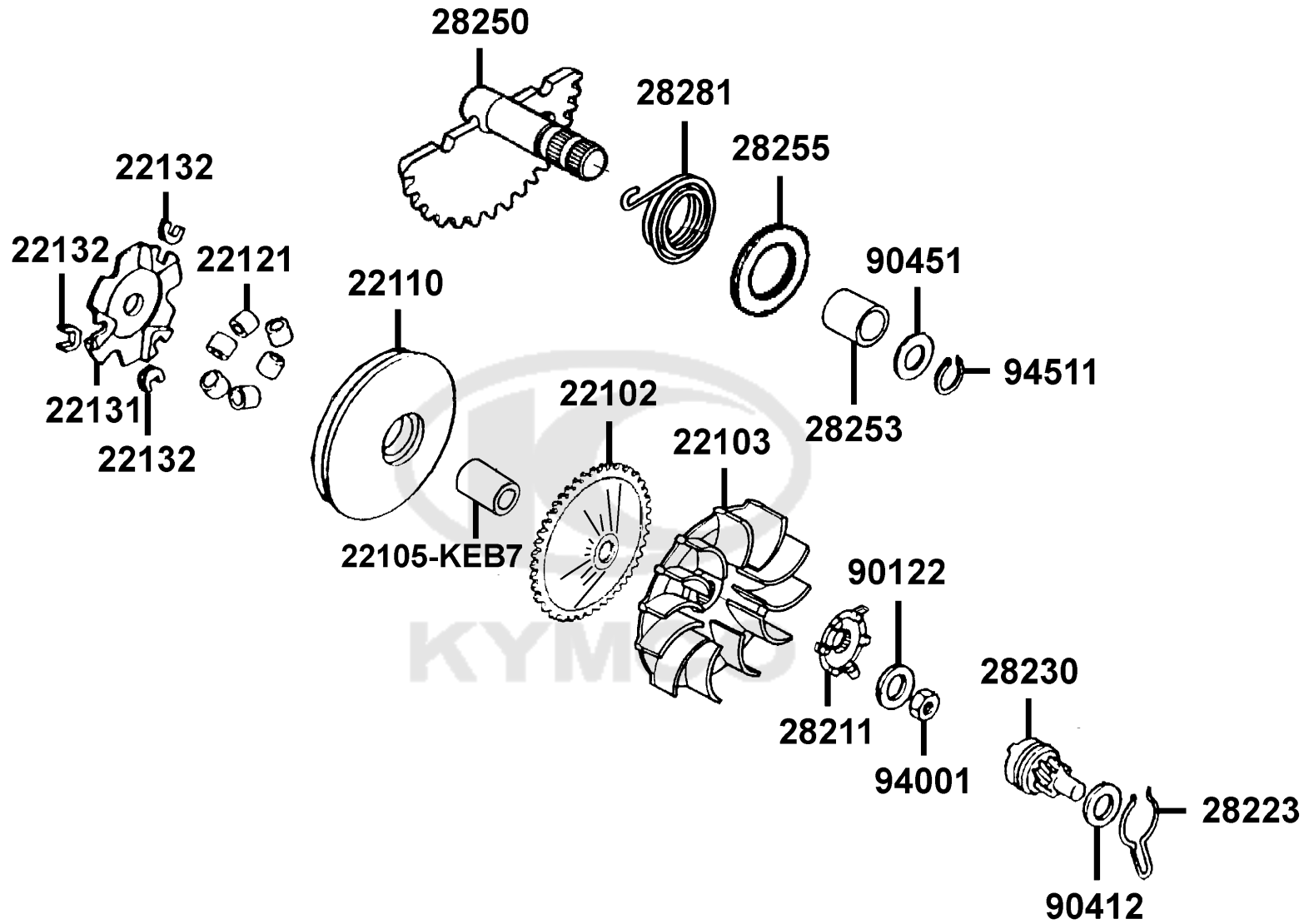
E05

COVER L SIDE

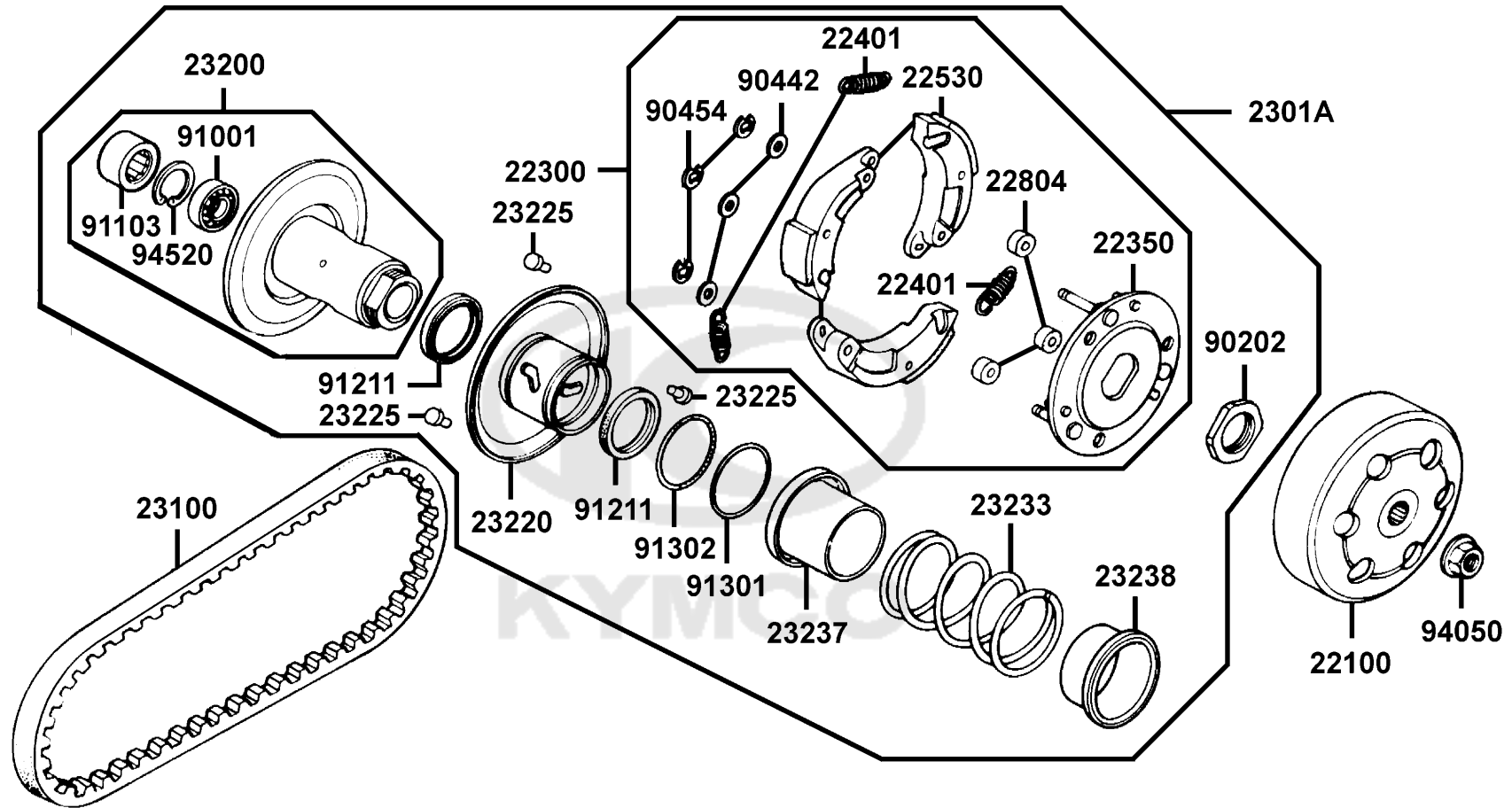


Sales mark	Ref no	Part no	Description	Reg description	Regd no	<b>E05</b>
	11205	11205-GHAH-004	BUSH 8*12*8	BUSH 8*12*8	1	
**	11341	11341-KEB7-900	COVER L SIDE	COVER L SIDE	1	
	11395	11395-KEB7-900	GASKET L COVER	GASKET L COVER	1	
	9000A	9000A-KTDT-900	BOLT ASSY SPECIAL 6*29.5	BOLT ASSY SPECIAL 6*29.5	9	

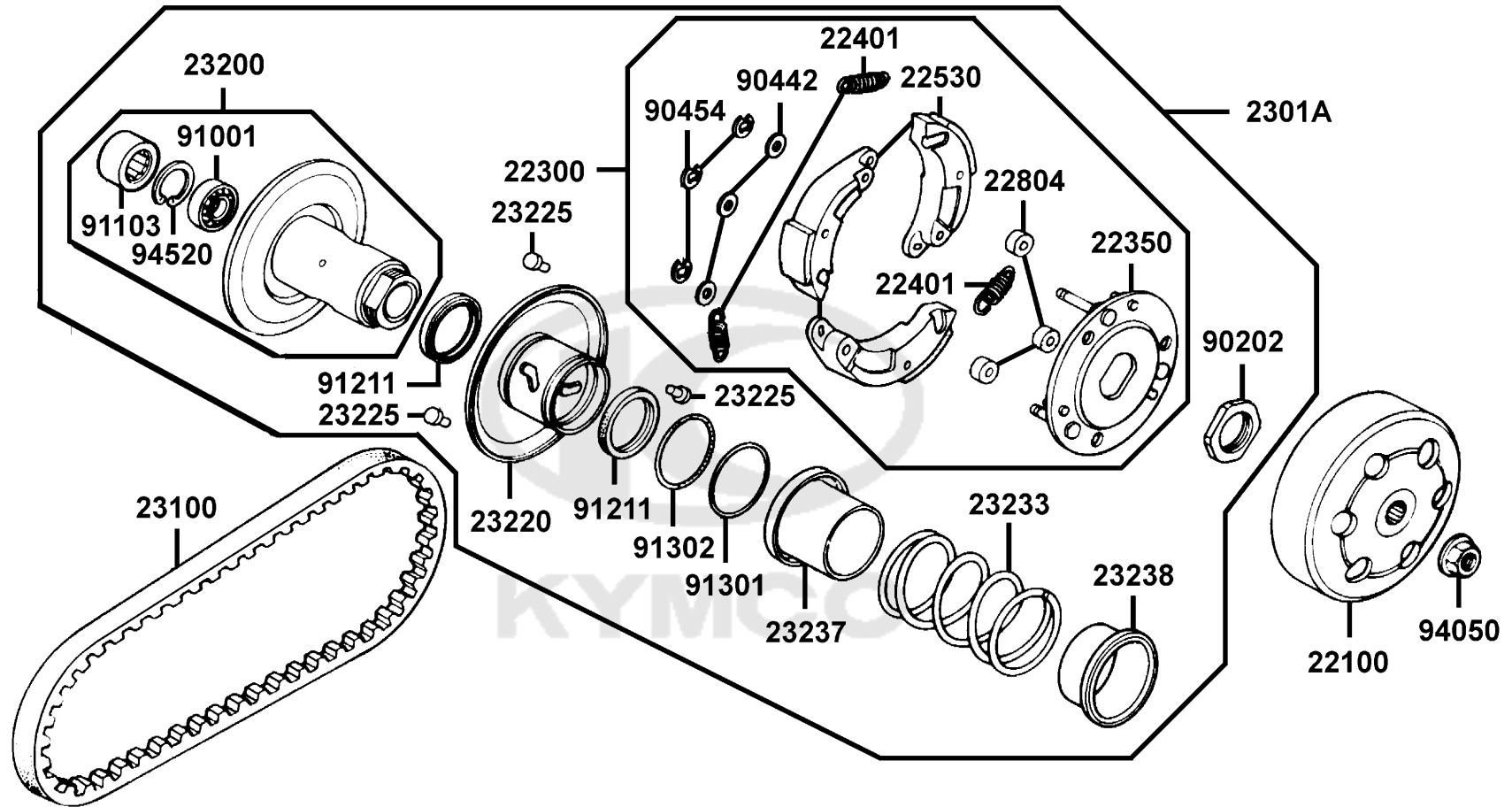




Sales mark	Ref no	Part no	Description	Reg description	Regd no	E06
	22102	22102-KEB7-900	FACE DRIVE	FACE DRIVE	1	
	22103	22103-KEB7-900	FAN CVT COOLING	FAN CVT COOLING	1	
	22105-KEB7	22105-KEB7-E00	BOSS DRIVE FACE	BOSS DRIVE FACE	1	
	22110	22110-KFA1-220	FACE COMP MOVABLE DRIVE	FACE COMP MOVABLE DRIVE	1	
	22121	22121-GLW0-901	ROLLER COMP WEIGHT 7.5 gr	ROLLER COMP WEIGHT 7.5 gr	6	
	22131	22131-GHAH-781	PLATE RAMP	PLATE RAMP	1	
	22132	22132-GLW0-001	PIECE SLIDE	PIECE SLIDE	3	
	28211	28211-KEB7-900	RATCHET KICK STARTER	RATCHET KICK STARTER	1	
	28223	28223-KNBN-901	SPG KICK DRIVEN GEAR	SPG KICK DRIVEN GEAR	1	
	28230	28230-GKAK-921	GEAR COMP KICK DRIVEN	GEAR COMP KICK DRIVEN	1	
	28250	28250-KNBN-901	SPINDLE COMP KICK STARTER	SPINDLE COMP KICK STARTER	1	
	28253	28253-GBN2-60A	BUSH KICK SPINDLE	BUSH KICK SPINDLE	1	
	28255	28255-GFS6-001	COLLAR KICK BOSS	COLLAR KICK BOSS	1	
	28281	28281-GBN2-60A	SPRING KICK RETURN	SPRING KICK RETURN	1	
	90122	90122-GCS3-001	WASHER 12MM	WASHER 12MM	1	
	90412	90412-3K29-001	WASHER THRUST 10MM	WASHER THRUST 10MM	1	
	90451	90451-GBN2-601	WASHER KICK SPINDLE	WASHER KICK SPINDLE	1	
	94001	94001-12280-0S	NUT HEX 12MM	NUT HEX 12MM	1	
	94511	94511-14000	CIR CLIP EX 14	CIR CLIP EX 14	1	



Sales mark	Ref no	Part no	Description	Reg description	Regd no	<b>E07</b>
	22100	22100-GAR1-751	CLUTCH OUTER	CLUTCH OUTER	1	
	22300	22300-KXCX-900	PLATE ASSY DRIVE	PLATE ASSY DRIVE	1	
	22350	22350-GKAK-930	PLATE COMP DRIVE	PLATE COMP DRIVE	1	
	22401	22401-GBG2-900	SPRING CLUTCH	SPRING CLUTCH	3	
	22530	22530-GKAK-930	WEIGHT CLUTCH	WEIGHT CLUTCH	3	
	22804	22804-1H48-001	RUBBER CLUTCH DUMRER	RUBBER CLUTCH DUMRER	3	
	2301A	2301A-KEB7-220	PULLEY SUB ASSY	PULLEY SUB ASSY	1	
	23100	23100-KEB7-900	BELT DRIVE	BELT DRIVE	1	
	23200	23200-GAR1-220	FACE ASSY DRIVEN	FACE ASSY DRIVEN	1	
	23220	23220-GKAK-220	FACE COMP MOVABLE DRIVEN	FACE COMP MOVABLE DRIVEN	1	
	23225	23225-GAR1-751	PIN GUIDE	PIN GUIDE	3	
	23233	23233-GHE8-001	SPG DRIVEN FACE	SPG DRIVEN FACE	1	
	23237	23237-GAR1-220	COLLAR SEAL	COLLAR SEAL	1	
	23238	23238-GFY6-941	COLLAR SPRING	COLLAR SPRING	1	
	90202	90202-1G87-001	NUT SPECIAL 28MM	NUT SPECIAL 28MM	1	
	90442	90442-0D44-001	WASHER THRUST	WASHER THRUST	3	
	90454	90454-GBB2-001	CIR CLIP 6MM	CIR CLIP 6MM	3	
	91001	91001-GGA7-70A	BRG BALL RADIAL 6901U 12*24*6	BRG BALL RADIAL 6901U 12*24*6	1	
	91103	91103-GAR1-004	BRG NEEDLE 17*25*18	BRG NEEDLE 17*25*18	1	
	91211	91211-GHK8-014	OIL SEAL 34*39*3	OIL SEAL 34*39*3	2	

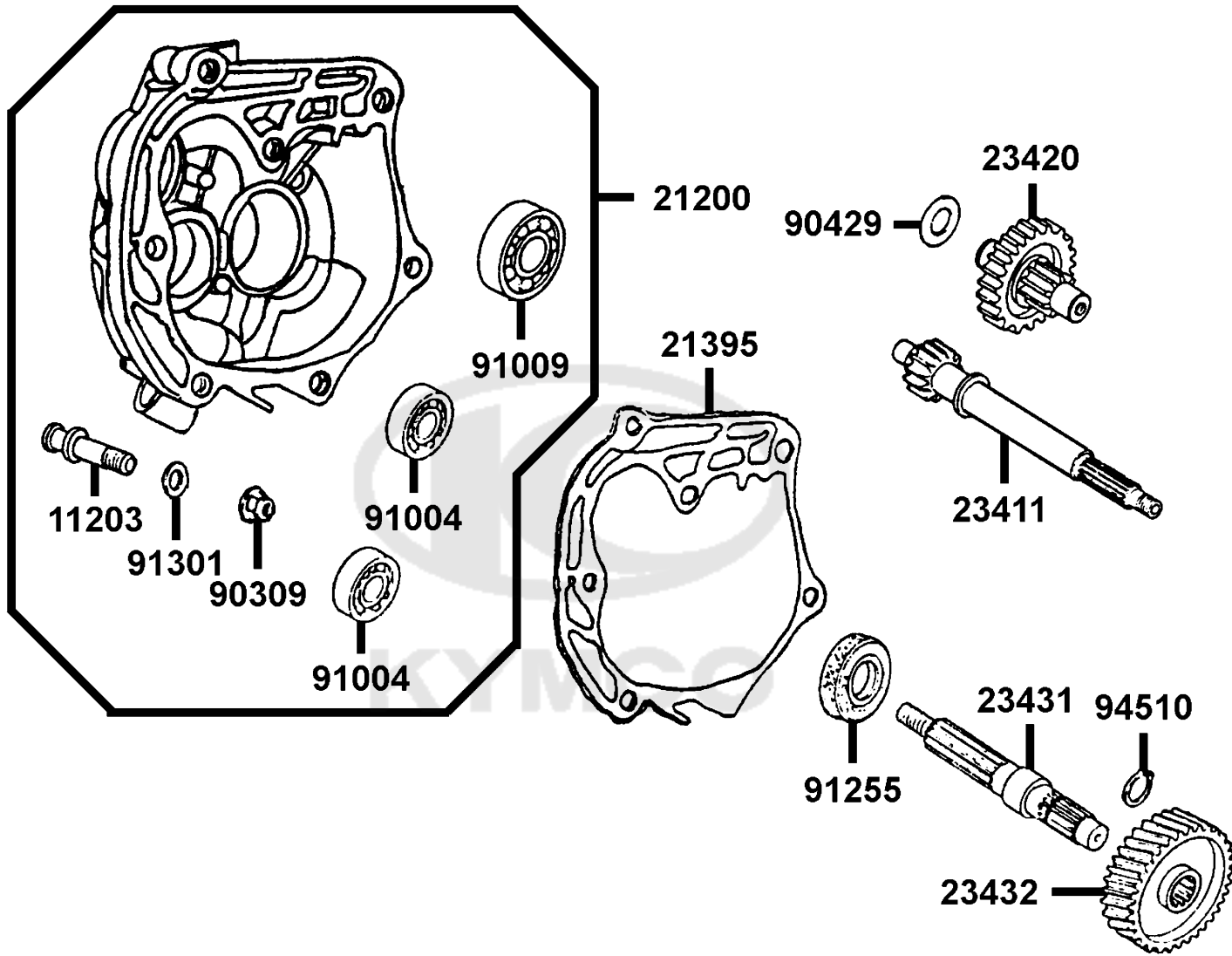




Sales mark	Ref no	Part no	Description	Reg description	Regd no	<b>E07</b>
------------	--------	---------	-------------	-----------------	---------	------------

91301	91301-KEA5-742	91301-KEA5-742	O-RING 36*1.5	O-RING 36*1.5	1	
91302	91302-PKA9-004	91302-PKA9-004	O-RING 39.8*2.2	O-RING 39.8*2.2	1	
94050	94050-10080	94050-10080	NUT FLANGE 10MM	NUT FLANGE 10MM	1	
94520	94520-24000	94520-24000	CIR CLIP INTERAL 28	CIR CLIP INTERAL 28	1	

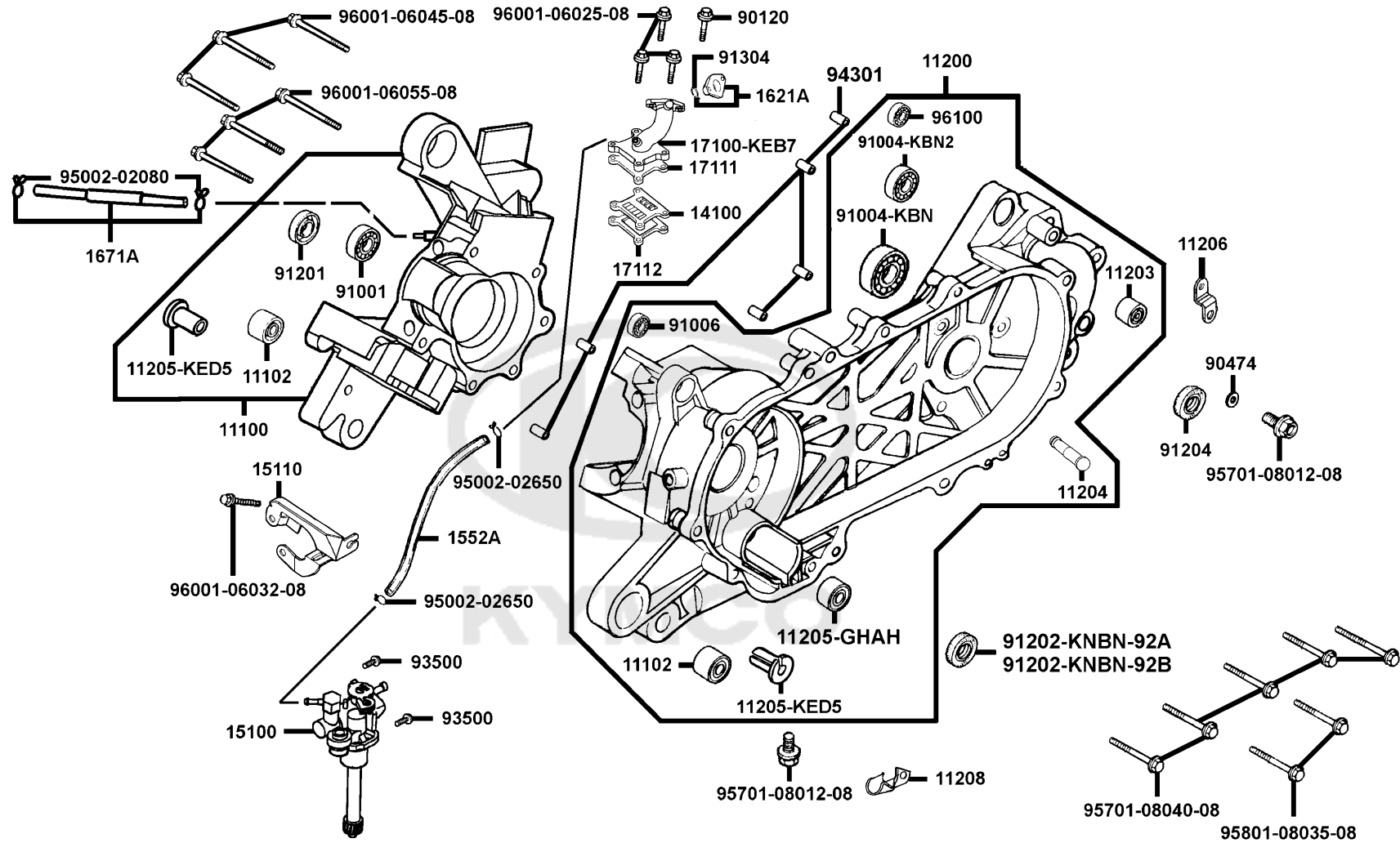




Sales mark	Ref no	Part no	Description	Reg description	Regd no	<b>E08</b>
11203		11203-KHG8-301	PIN BRAKE SHOE ANCHOR	PIN BRAKE SHOE ANCHOR	1	
21200		21200-GKAK-305	CASE ASSY MISSION	CASE ASSY MISSION	1	
21395		21395-KNBN-901	GASKET MISSION CASE @A	GASKET MISSION CASE @A	1	
21395		21395-LBD3-900	GASKET MISSION CASE @A	GASKET MISSION CASE @A	1	
23411		23411-KEB7-900	SHAFT DRIVE	SHAFT DRIVE	1	
23420		23420-KEB7-900	SHAFT COMP COUNTER	SHAFT COMP COUNTER	1	
23431		23431-KNBN-901	SHAFT FINAL	SHAFT FINAL	1	
23432		23432-KEB7-900	GEAR FINAL 53T	GEAR FINAL 53T	1	
90309		90309-KLF0-004-SY	NUT FLANGE 8MM	NUT FLANGE 8MM	1	
90429		90429-KNBN-901	WASHER SIDE 12MM	WASHER SIDE 12MM	1	
91004		91004-KBN2-90A	BRG BALL RADIAL 6201	BRG BALL RADIAL 6201	2	
91009		91009-GLE0-004	BRG BALL RADIAL 6004 UU	BRG BALL RADIAL 6004 UU	1	
91255		91255-GLE0-006	OIL SEAL 27*42*7	OIL SEAL 27*42*7	1	
91301		91301-0C53-001	O RING 7.5*1.5	O RING 7.5*1.5	1	
94510		94510-20000	CIR CLIP EXTERNAL 20	CIR CLIP EXTERNAL 20	1	

E09

# Crankcase OIL PUMP



Sales mark	Ref no	Part no	Description	Reg description	Regd no	<b>E09</b>
	11100	11100-KFA5-305	CRANK CASE ASSY RIGHT	CRANK CASE ASSY RIGHT	1	
	11102	11102-1G87-004	RUB BUSH ENG HANGER	RUB BUSH ENG HANGER	2	
	11200	11200-KEB7-325	CRANK CASE SET LEFT	CRANK CASE SET LEFT	1	
	11203	11203-GGC7-301	UNDER RUBBER BUSH RR CUSHION	UNDER RUBBER BUSH RR CUSHION	1	
	11204	11204-KEB7-900	PIN SPG HOOK	PIN SPG HOOK	1	
	11205-GHAH	11205-GHAH-004	BUSH 8*12*8	BUSH 8*12*8	1	
	11205-KED5	11205-KED5-900	BUSH M STAND	BUSH M STAND	2	
	11206	11206-KEB7-900	STAY RR FENDER	STAY RR FENDER	1	
	11208	11208-GKAK-901	CLAMPER CARB DRAIN	CLAMPER CARB DRAIN	1	
	14100	14100-KEB7-900	VALVE COMP REED	VALVE COMP REED	1	
	15100	15100-KEB7-E00	OIL PUMP ASSY	OIL PUMP ASSY	1	
	15110	15110-KEB7-900	PLATE OIL PUMP SET	PLATE OIL PUMP SET	1	
	1552A	1552A-KEB7-901	TUBE ASSY OIL PASS	TUBE ASSY OIL PASS	1	
	1621A	1621A-GKAK-901	INSULATOR CARB ASSY	INSULATOR CARB ASSY	1	
	1671A	1671A-KFA5-900	TUBE ASSY PULSE	TUBE ASSY PULSE	1	
	17100-KEB7	17100-KEB7-E01	PIPE COMP INLET	PIPE COMP INLET	1	
	17111	17111-KEB7-900	GASKET INLET PIPE A	GASKET INLET PIPE A	1	
	17112	17112-KEB7-900	GASKET INLET PIPE B	GASKET INLET PIPE B	1	
	17112	17112-KEB7-980	GASKET INLET PIPE A @B	GASKET INLET PIPE A @B	1	
	90120	90120-GAR1-J00	SOCKET BOLT SPECIAL 6*28	SOCKET BOLT SPECIAL 6*28	1	



Sales mark	Ref no	Part no	Description	Reg description	Regd no	E09
	90474	90474-3C33-001	WASHER 8MM	WASHER 8MM	1	
	91001	91001-GLW0-90A	BRG BALL RADIAL 6204 SPECIAL	BRG BALL RADIAL 6204 SPECIAL	1	
	91004-KBN2-90A	91004-KBN2-90A	BRG BALL RADIAL 6201	BRG BALL RADIAL 6201	1	
	91004-KNBN-92A	91004-KNBN-92A	BRG BALL RADIAL TMB203A/17*42*12	BRG BALL RADIAL TMB203A/17*42*12	1	
	91006	91006-KNBN-901	BRG BALL RADIAL 25*56*12	BRG BALL RADIAL 25*56*12	1	
	91201	91201-KNBN-92A	OIL SEAL 15.6*25.5*7	OIL SEAL 15.6*25.5*7	1	
	91202-KNBN-92A	91202-KNBN-92A	OIL SEAL 20*31*7	OIL SEAL 20*31*7	1	
	91202-KNBN-92B	91202-KNBN-92B	OIL SEAL 20*31*7	OIL SEAL 20*31*7	1	
	91204	91204-KNBN-90A	OIL SEAL 17*30*6	OIL SEAL 17*30*6	1	
	91304	91304-GLB0-911	O-RING 20.6*1.9	O-RING 20.6*1.9	1	
	93500	93500-05012-0H	SCREW PAN 5*12	SCREW PAN 5*12	2	
	94301	94301-10200	DOWEL PIN 10*20	DOWEL PIN 10*20	6	
	95002-02080	95002-02080	CLIP B8 CHAMBER TUBE	CLIP B8 CHAMBER TUBE	2	
	95002-02650	95002-02650	CLIP B 6.5 TUBE	CLIP B 6.5 TUBE	2	
	95701-08012-08	95701-08012-08	BOLT FLANGE 8X12	BOLT FLANGE 8X12	2	
	95701-08040-08	95701-08040-08	BOLT FLANGE 8*40	BOLT FLANGE 8*40	5	
	95801-08035-08	95801-08035-08	BOLT FLANGE 8*35	BOLT FLANGE 8*35	2	
	96001-06025-08	96001-06025-08	BOLT FLANGE SH 6*25	BOLT FLANGE SH 6*25	3	
	96001-06032-08	96001-06032-08	BOLT FLANGE 6*32	BOLT FLANGE 6*32	1	
	96001-06045-08	96001-06045-08	BOLT FLANGE SH 6*45	BOLT FLANGE SH 6*45	3	

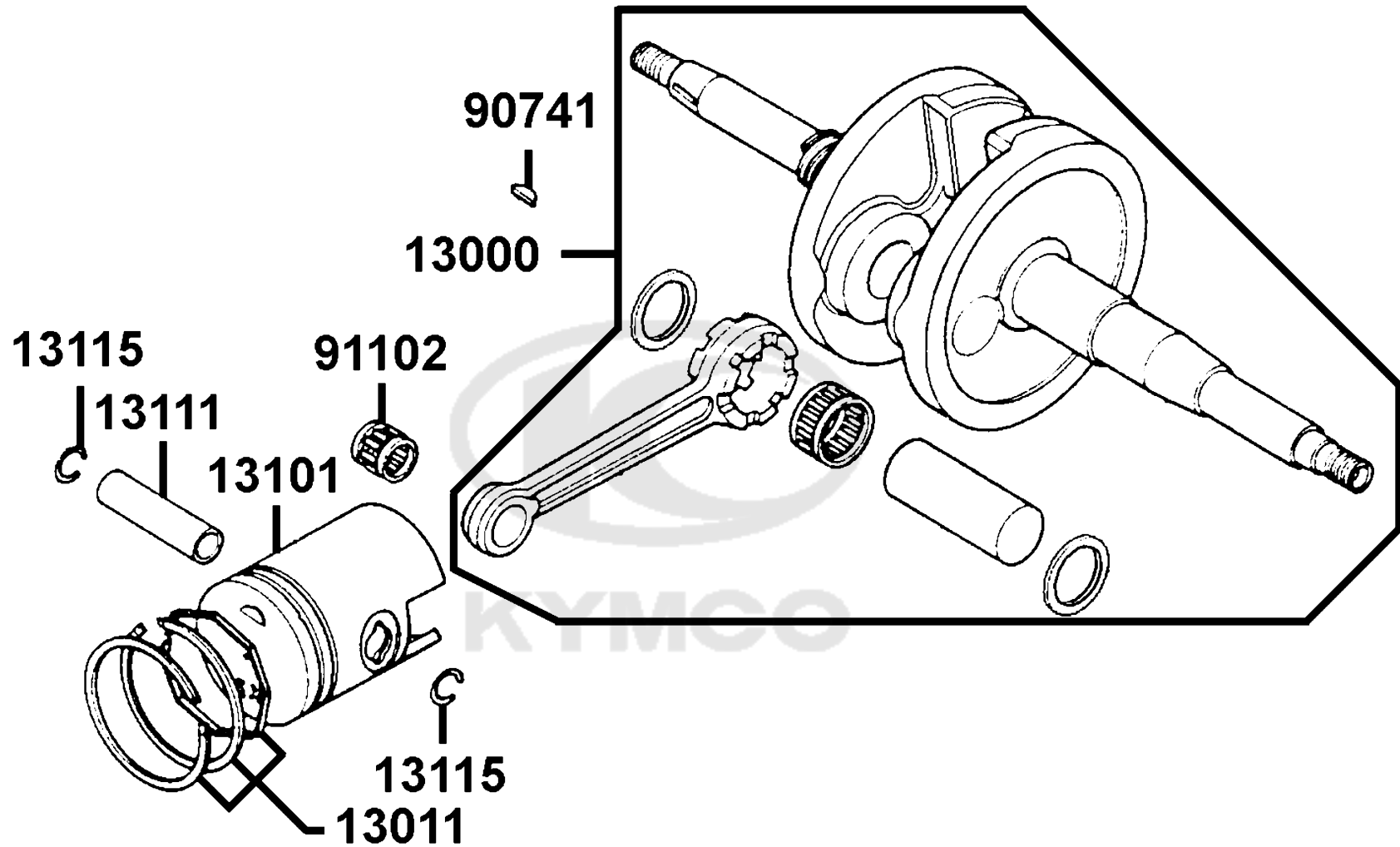




Sales mark	Ref no	Part no	Description	Reg description	Regd no	<b>E09</b>
------------	--------	---------	-------------	-----------------	---------	------------

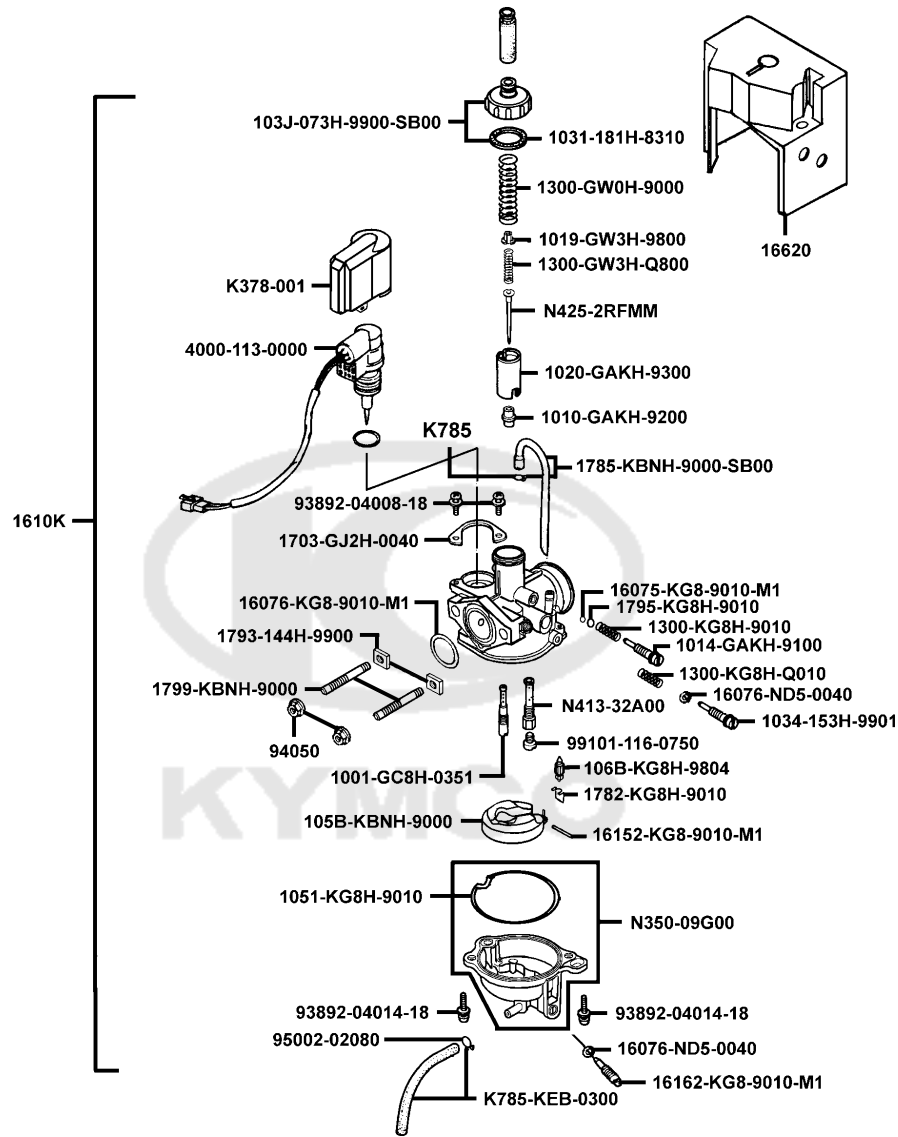
	96001-06055-08	96001-06055-08	BOLT FLANGE SH 6*55	BOLT FLANGE SH 6*55	3	
96100		96100-62033-00	BRG BALL RADIAL 6203	BRG BALL RADIAL 6203	1	



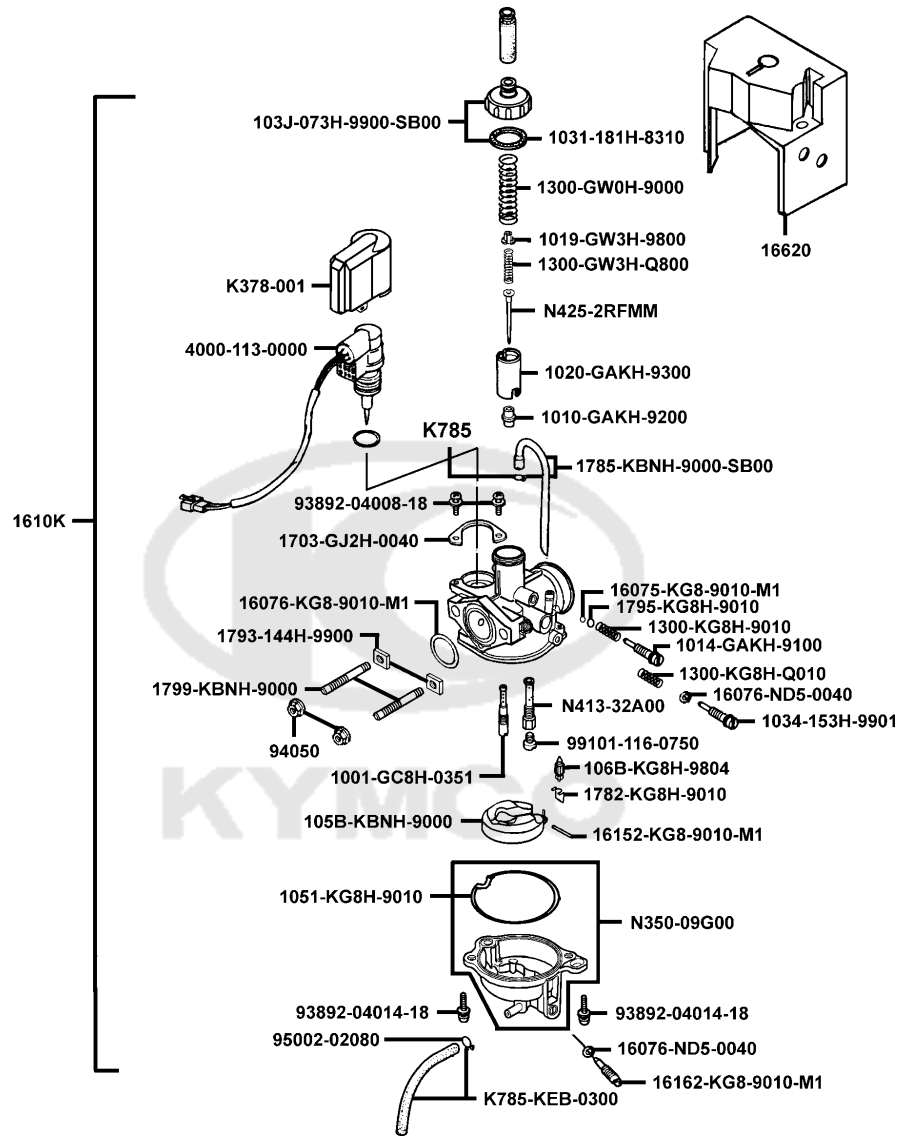


Sales mark	Ref no	Part no	Description	Reg description	Regd no	<b>E10</b>
13000		13000-GKAK-921	CRANK SHAFT COMP	CRANK SHAFT COMP	1	
13011		13011-GLW0-90A	RING ASSY PISTON	RING ASSY PISTON	1	
13101		13101-GLW0-901	PISTON A	PISTON A	1	
13111		13111-1F66-001	PIN PISTON	PIN PISTON	1	
13115		13115-1F56-001	CLIP PISTON PIN 12MM	CLIP PISTON PIN 12MM	2	
90741		90741-0E35-001	KEY WOODRUFF	KEY WOODRUFF	1	
91102		91102-GLW0-009	BRG CON-ROD S. E.	BRG CON-ROD S. E.	1	





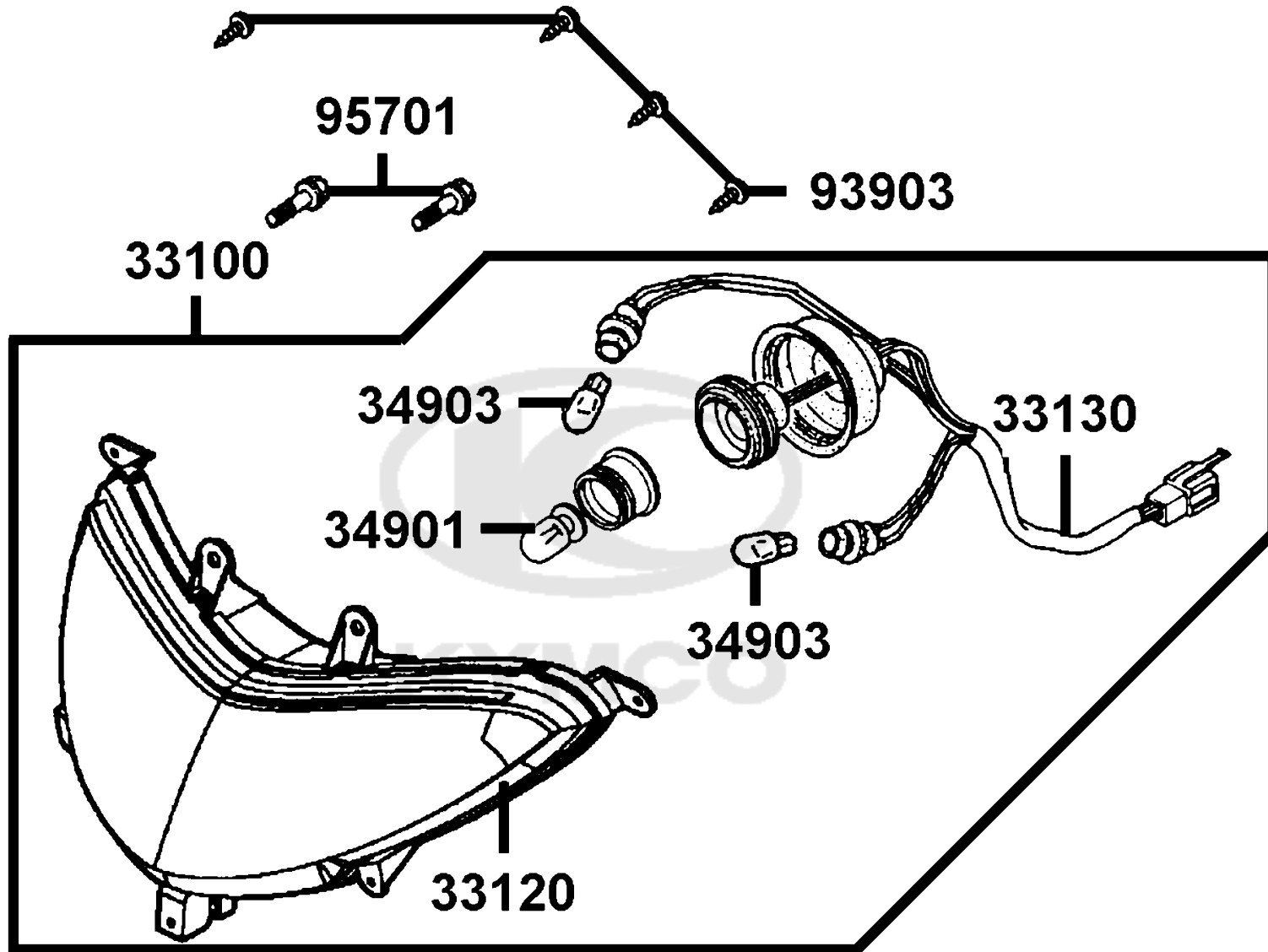
Sales mark	Ref no	Part no	Description	Reg description	Regd no	E11
	1001-GC8H-0351	1001-GC8H-0351	SLOW JET	SLOW JET	1	
	1010-GAKH-9200	1010-GAKH-9200	NEEDLE JET	NEEDLE JET	1	
	1014-GAKH-9100	1014-GAKH-9100	ADJUST SCREW	ADJUST SCREW	1	
	1019-GW3H-9800	1019-GW3H-9800	VALVE PLATE SET	VALVE PLATE SET	1	
	1020-GAKH-9300	1020-GAKH-9300	THROTTLE VALVE	THROTTLE VALVE	1	
	1031-181H-8310	1031-181H-8310	TOP GASKET	TOP GASKET	1	
	1034-153H-9901	1034-153H-9901	STOP SCREW	STOP SCREW	1	
	103J-073H-9900-	103J-073H-9900-SB0	TOP SET	TOP SET	1	
	1051-KG8H-9010	1051-KG8H-9010	FLOAL CHAMBER GASKET	FLOAL CHAMBER GASKET	1	
	105B-KBNH-9000	105B-KBNH-9000	FLOAT COMP	FLOAT COMP	1	
	106B-KG8H-9804	106B-KG8H-9804	FLOAT VALVE SET	FLOAT VALVE SET	1	
	1300-GW0H-9000	1300-GW0H-9000	SPG COMPR	SPG COMPR	1	
	1300-GW3H-Q800	1300-GW3H-Q800	VALVE PLATE SET	VALVE PLATE SET	1	
	1300-KG8H-9010	1300-KG8H-9010	SPG COMPR	SPG COMPR	1	
	1300-KG8H-Q010	1300-KG8H-Q010	COMRP SPG	COMRP SPG	1	
	16075-KG8-9010-M1	16075-KG8-9010-M1	O-RING	O-RING	1	
	16076-KG8-9010-M1	16076-KG8-9010-M1	O-RING	O-RING	1	
	16076-ND5-0040	16076-ND5-0040	O-RING	O-RING	1	
	1610K	1610K-LDA5-E00	CARBURETOR ASSY	CARBURETOR ASSY	1	
	16152-KG8-9010-M1	16152-KG8-9010-M1	ARM PIN	ARM PIN	1	




Sales mark	Ref no	Part no	Description	Reg description	Regd no	E11
	16162-KG8-9010-M1	16162-KG8-9010-M1	DRAIN SCREW PAN	DRAIN SCREW PAN	1	
	16620	16620-KEB7-E00	CAP CARBURETOR	CAP CARBURETOR	1	
	1703-GJ2H-0040	1703-GJ2H-0040	SET PLATE	SET PLATE	1	
	1782-KG8H-9010	1782-KG8H-9010	CLIP	CLIP	1	
	1785-KBNH-9000-	1785-KBNH-9000-SB0	TUBE SET	TUBE SET	1	
	1793-144H-9900	1793-144H-9900	HEX NUT	HEX NUT	2	
	1795-KG8H-9010	1795-KG8H-9010	PLAIN WASHER	PLAIN WASHER	1	
	1799-KBNH-9000	1799-KBNH-9000	STUD BOLT	STUD BOLT	2	
	4000-113-0000	4000-113-0000	AUTO BYSTARTER SET	AUTO BYSTARTER SET	1	
	93892-04008-18	93892-04008-18	SCREW WASHER 4*8	SCREW WASHER 4*8	2	
	93892-04014-18	93892-04014-18	SCREW WASHER	SCREW WASHER	2	
	94050	94050-06080	NUT FLANGE 6MM	NUT FLANGE 6MM	2	
	95002-02080	95002-02080	CLIP B8 CHAMBER TUBE	CLIP B8 CHAMBER TUBE	1	
	99101	99101-116-0780	MAIN JET #92	MAIN JET #92	1	
	K378-001	K378-001	OUTER CAP	OUTER CAP	1	
	K785-KEB-0100	K785-KEB-0100	TUBE SET	TUBE SET	1	
	K785-KEB-0300	K785-KEB-0300	TUBE SET (DRAIN)	TUBE SET (DRAIN)	1	
	N350-09G00	N350-09G00	FLOAT CHAMBER SET	FLOAT CHAMBER SET	1	
	N413-32A00	N413-32A00	NEEDLE JET HOLDER	NEEDLE JET HOLDER	1	
	N425-2RFMM	N425-2RFMM	JET NEEDLE COMP	JET NEEDLE COMP	1	

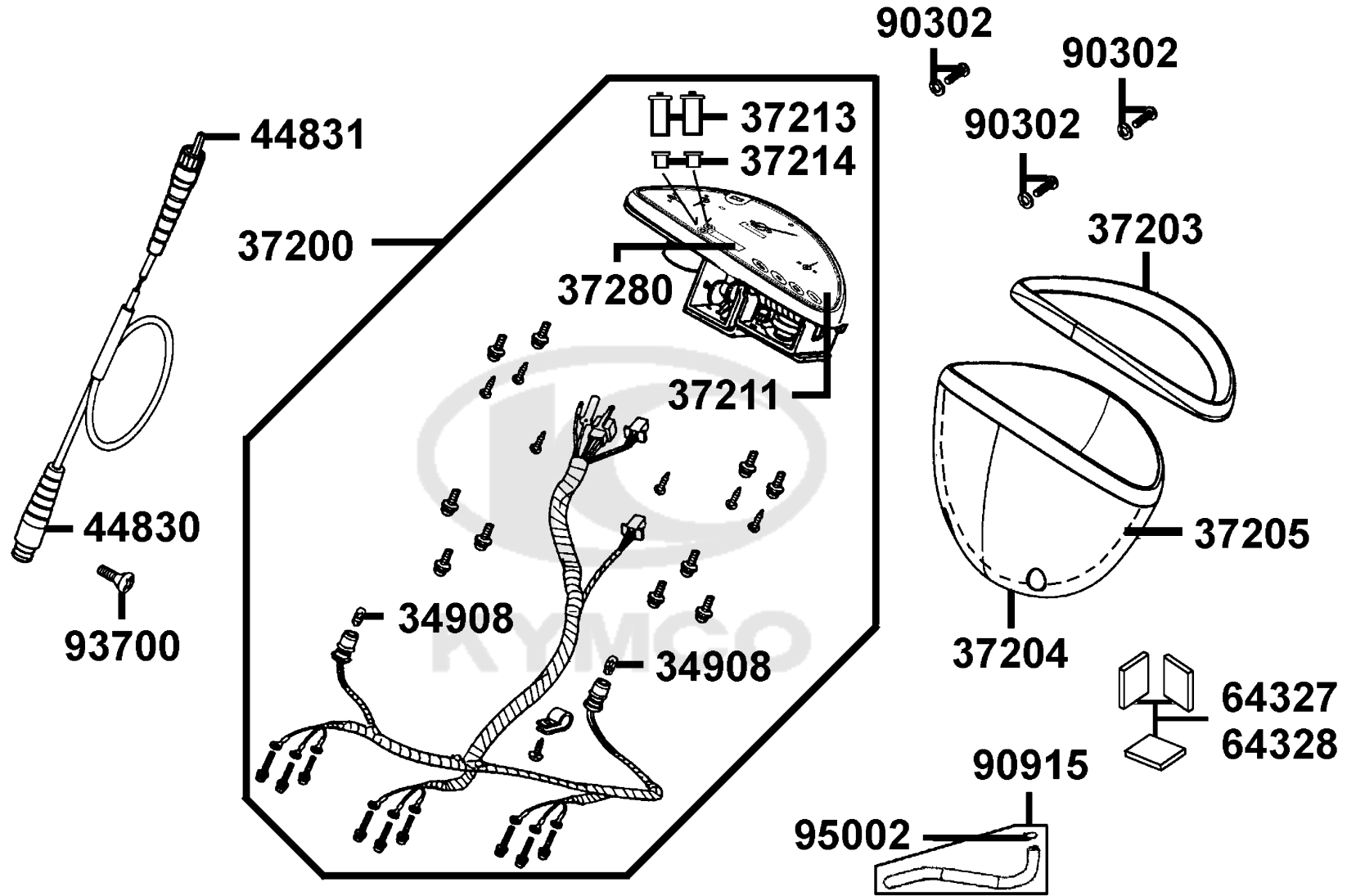
F01

Head Light





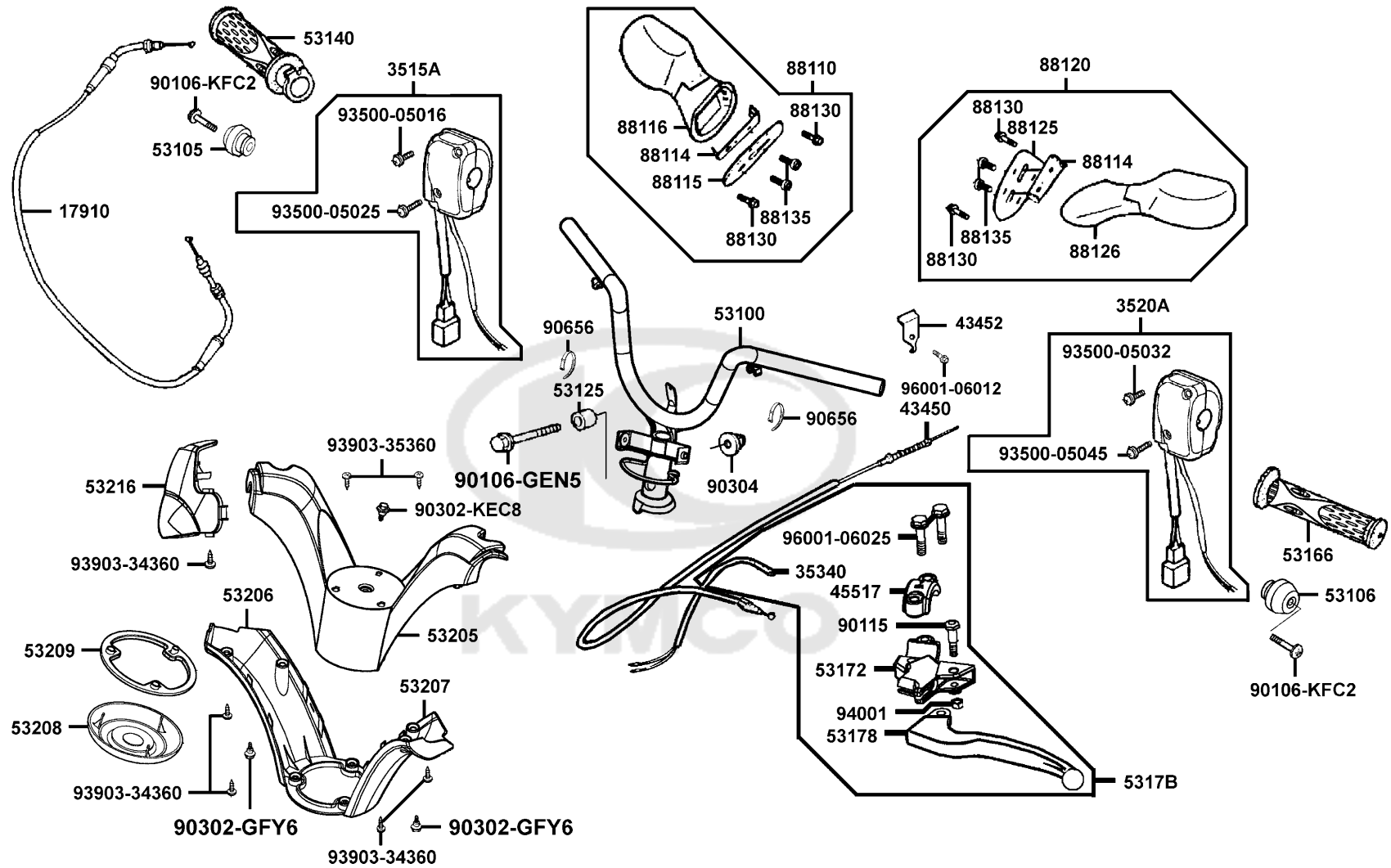
Sales mark	Ref no	Part no	Description	Reg description	Regd no	<b>F01</b>
	33100	33100-LDA5-E00	LIGHT ASSY HEAD	LIGHT ASSY HEAD	1	
	33120	33120-KKC4-E00	UNIT HEAD LIGHT	UNIT HEAD LIGHT	1	
	33130	33130-LDA5-E00	SOCKET COMP	SOCKET COMP	1	
	34901	34901-KFA6-900	BULB HEAD LIGHT	BULB HEAD LIGHT	1	
	34903	34903-KPCP-900	BULB POSITION	BULB POSITION	2	
	93903	93903-35360	SCREW TAPPING 5*16	SCREW TAPPING 5*16	4	
	95701	95701-06012-08	BOLT FLANGE 6*12	BOLT FLANGE 6*12	2	
						



Sales mark	Ref no	Part no	Description	Reg description	Regd no	F02
	34908	34908-MKB9-87A	BULB WEDGE BASE 12V*1.7W	BULB WEDGE BASE 12V*1.7W	2	
	37200	37200-LDA5-E00	METER ASSY SPEED	METER ASSY SPEED	1	
**	37203	37203-KKC3-900	METER COVER FR	METER COVER FR	1	
**	37204	37204-LDA5-E00	METER COVER UPPER	METER COVER UPPER	1	
**	37205	37205-LDA5-E00	METER COVER LOWER	METER COVER LOWER	1	
	37211	37211-KKC3-900	LENS ASSY	LENS ASSY	1	
	37213	37213-KKC3-900	PACKING	PACKING	2	
	37214	37214-KKC3-900	RESET PIN	RESET PIN	2	
	37280	37280-KKC3-900	LCD ASSY (CLOCK)	LCD ASSY (CLOCK)	1	
	44830	44830-KKC4-900	CABLE COMP SPDMT	CABLE COMP SPDMT	1	
	44831	44831-KKC4-900	CABLE INNER	CABLE INNER	1	
	64327	64327-KKC4-900	SPONGE TAPE METER COVER	SPONGE TAPE METER COVER	3	
	64328	64328-KKC4-900	SPONGE TAPE METER COVER	SPONGE TAPE METER COVER	3	
	90302	90302-GFY6-940	BOLT WASHER 5*16	BOLT WASHER 5*16	3	
	90915	90915-KKC4-900	TUBE DRAIN	TUBE DRAIN	1	
	93700	93700-05018-0H	SCREW OVAL 5*18	SCREW OVAL 5*18	1	
	95002	95002-50000	CLIP C9 TUBE	CLIP C9 TUBE	1	

F03

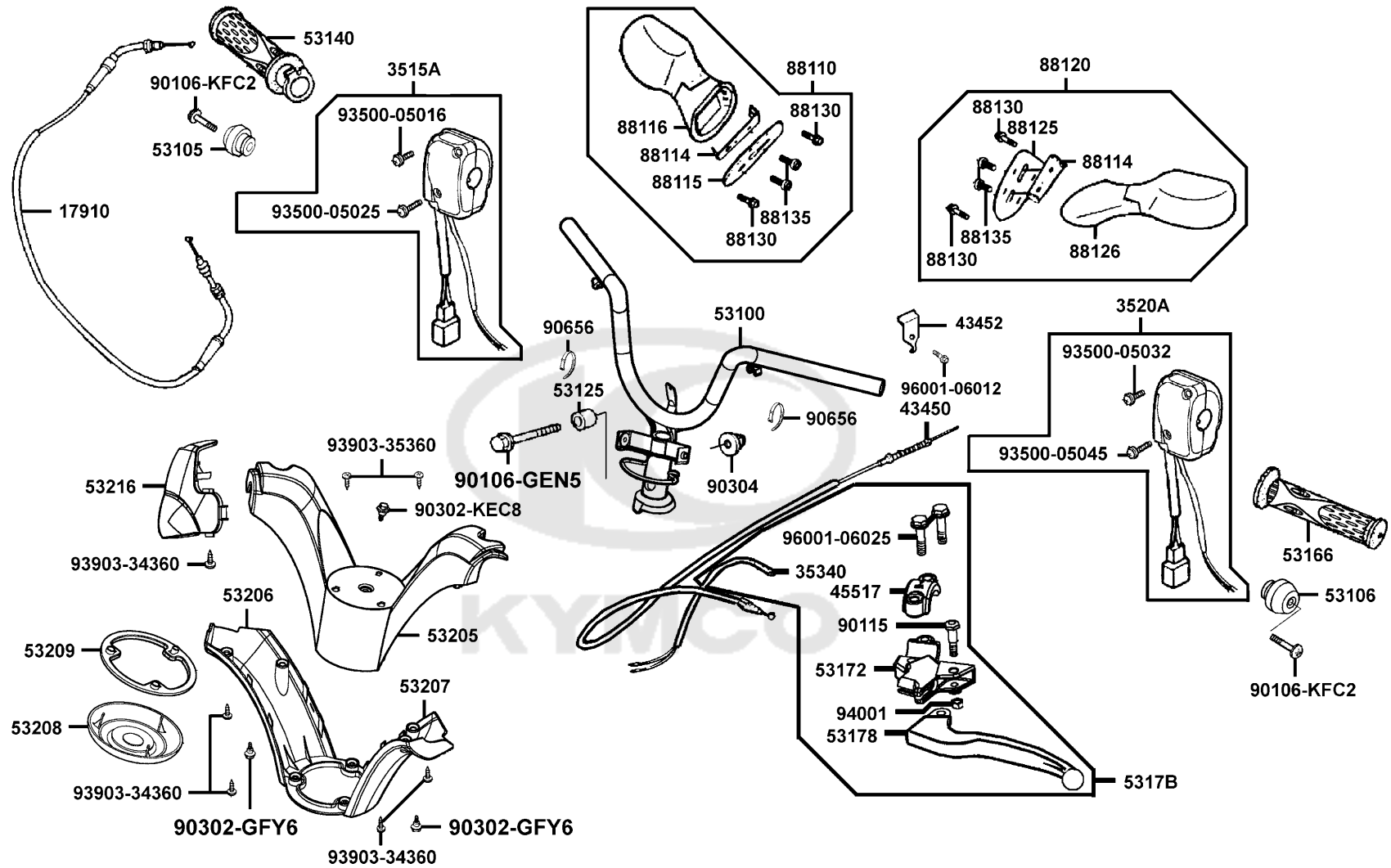
# Speedometer



Sales mark	Ref no	Part no	Description	Reg description	Regd no	F03
	17910	17910-LDA5-E00	CABLE COMP THROT	CABLE COMP THROT	1	
	3515A	3515A-LDA5-E00	SW ASSY RH HNDL COMP	SW ASSY RH HNDL COMP	1	
	3520A	3520A-LDA5-E00	SW ASSY L HNDL COMP	SW ASSY L HNDL COMP	1	
	35340	35340-KED1-900	SW ASSY FR STOP	SW ASSY FR STOP	1	
	43450	43450-LDA5-E00	CABLE COMP RR BRK	CABLE COMP RR BRK	1	
	43452	43452-GKAK-900	CLAMP BRK CABLE	CLAMP BRK CABLE	1	
	45517	45517-GFY6-900	HOLDER HNDL BRKT	HOLDER HNDL BRKT	1	
	53100	53100-KKC4-900	HANDLE COMP STRG	HANDLE COMP STRG	1	
	53105	53105-KFC8-900	END R STRG HANDLE	END R STRG HANDLE	1	
	53106	53106-KFC8-900	END L STRG HANDLE	END L STRG HANDLE	1	
	53125	53125-GEN5-901	COLLAR HANDLE SET	COLLAR HANDLE SET	1	
**	53140	53140-KKC3-900	GRIP COMP THROT	GRIP COMP THROT	1	
**	53166	53166-KGB5-900	GRIP L HANDLE	GRIP L HANDLE	1	
	53172	53172-KED1-900	BRKT HANDLE L	BRKT HANDLE L	1	
**	53178	53178-KFA5-E10	LEVER L STRG HNDL	LEVER L STRG HNDL	1	
	5317B	5317B-KFA5-E10	BRKT ASSY L HANDLE	BRKT ASSY L HANDLE	1	
**	53205	53205-KKC4-900	COVER HNDL UP	COVER HNDL UP	1	
**	53206	53206-KKC4-900	COVER R HANDLE LOW	COVER R HANDLE LOW	1	
**	53207	53207-KKC4-900	COVER L HANDLE LOW	COVER L HANDLE LOW	1	
**	53208	53208-KKC4-900	GRILL HANDLE UP	GRILL HANDLE UP	1	

F03

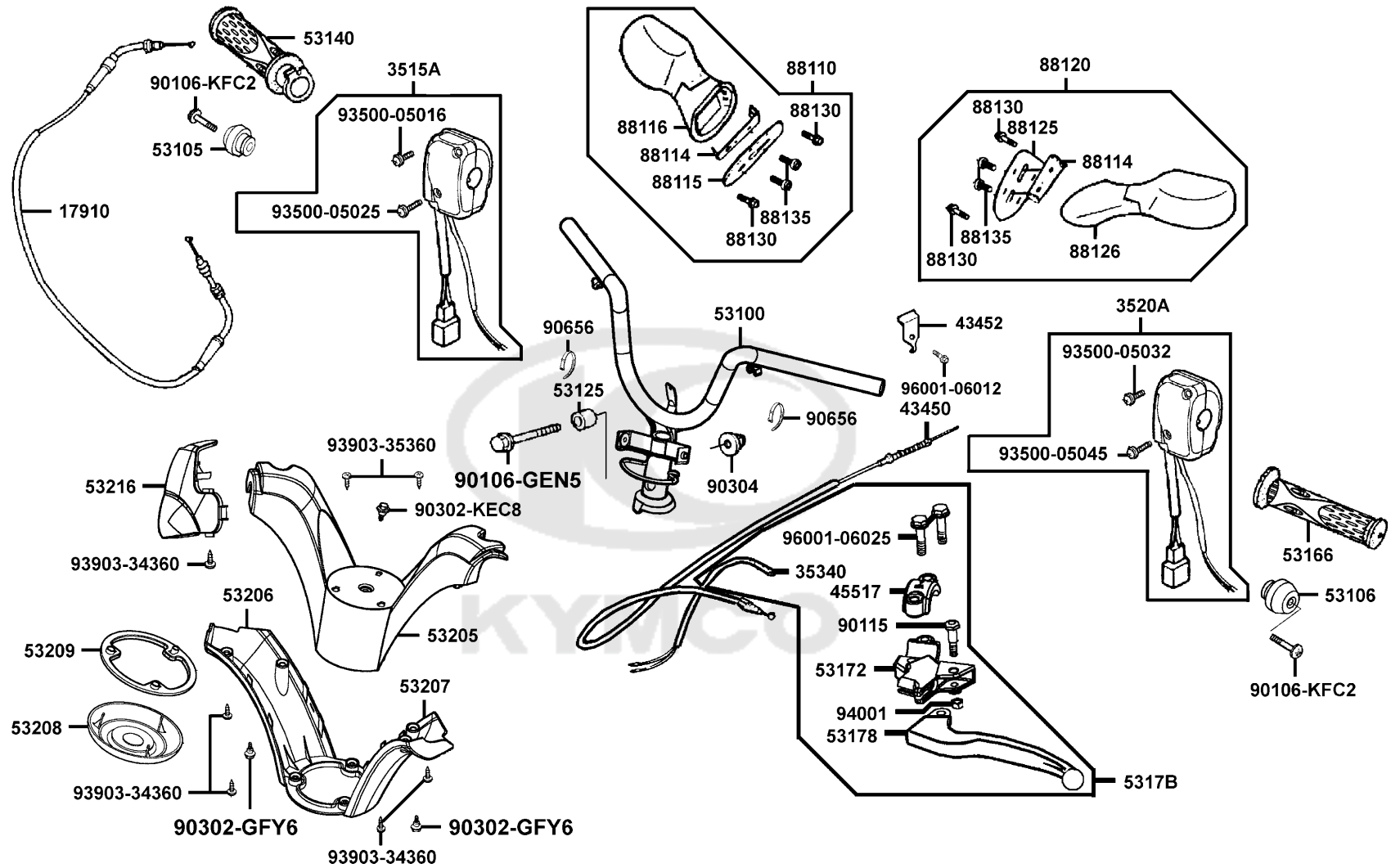
# Speedometer




Sales mark	Ref no	Part no	Description	Reg description	Regd no	F03
	53209	53209-KKC4-900	PACKING HANDLE UP	PACKING HANDLE UP	1	
**	53216	53216-LDA5-E00	COVER HANDLE L PLUG	COVER HANDLE L PLUG	1	
**	88110	88110-KKC3-900	MIRROR ASSY R BACK	MIRROR ASSY R BACK	1	
	88114	88114-KKC4-900	STAY MIRROR	STAY MIRROR	2	
	88115	88115-KKC4-900	PAD R MIRROR	PAD R MIRROR	1	
	88116	88116-KKC4-900	BASE R MIRROR	BASE R MIRROR	1	
**	88120	88120-KKC3-900	MIRROR ASSY L BACK	MIRROR ASSY L BACK	1	
	88125	88125-KKC4-900	PAD L MIRROR	PAD L MIRROR	1	
	88126	88126-KKC4-900	BASE L MIRROR	BASE L MIRROR	1	
	88130	88130-KKC4-900	BOLT SPECIAL	BOLT SPECIAL	4	
	88135	88135-KKC4-900	SCREW PAN 5*20	SCREW PAN 5*20	4	
	90106-GEN5	90106-GEN5-901	BOLT FLANGE 10*50	BOLT FLANGE 10*50	1	
	90106-KFC2	90106-KFC2-900	BOLT WASH 8MM	BOLT WASH 8MM	2	
	90115	90115-GLE0-001	BOLT HNDL LEVER PIVOT	BOLT HNDL LEVER PIVOT	1	
	90302-GFY6	90302-GFY6-901	BOLT WASH 5*12	BOLT WASH 5*12	2	
	90302-KEC8	90302-KEC8-900	BOLT PAN 5*9	BOLT PAN 5*9	1	
	90304	90304-GHE8-004	NUT U 10MM	NUT U 10MM	1	
	90656	90656-KCBC-900	BAND OIL HANDLE	BAND OIL HANDLE	1	
	93500-05016	93500-05016-1B	SCREW PAN 5*16	SCREW PAN 5*16	1	
	93500-05025	93500-05025-1B	SCREW PAN 5*25	SCREW PAN 5*25	1	

F03

# Speedometer

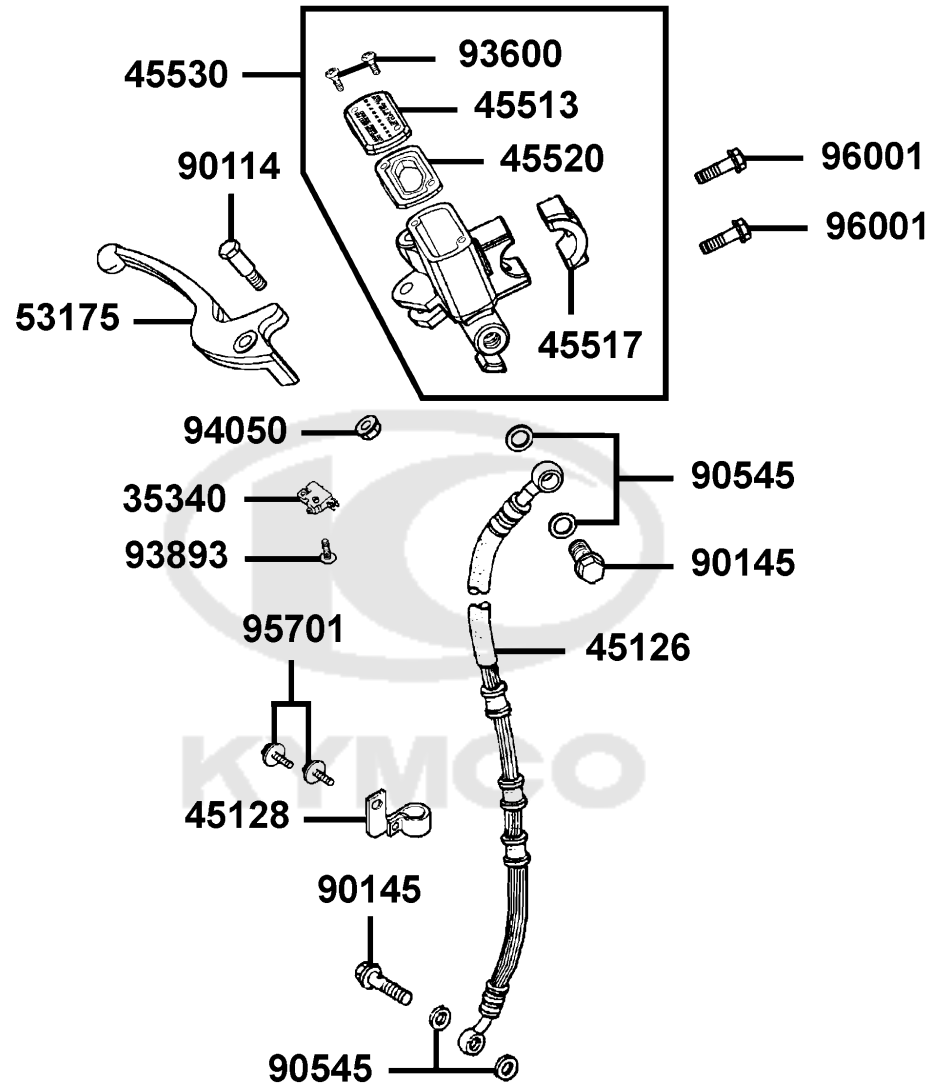




Sales mark	Ref no	Part no	Description	Reg description	Regd no	<b>F03</b>
	93500-05032	93500-05032-1B	SCREW PAN 5*32	SCREW PAN 5*32	1	
	93500-05045	93500-05045-1B	SCREW PAN 5*45	SCREW PAN 5*45	1	
	93903-34360	93903-34360	SCREW TAPPING 4*12	SCREW TAPPING 4*12	5	
	93903-35360	93903-35360	SCREW TAPPING 5*16	SCREW TAPPING 5*16	2	
	94001	94001-05080-0S	NUT HEX 5MM	NUT HEX 5MM	1	
	96001-06012	96001-06012-08	BOLT FLANGE SH 6*12	BOLT FLANGE SH 6*12	1	
	96001-06025	96001-06025-06	BOLT FLANGE SH 6*25	BOLT FLANGE SH 6*25	2	
						

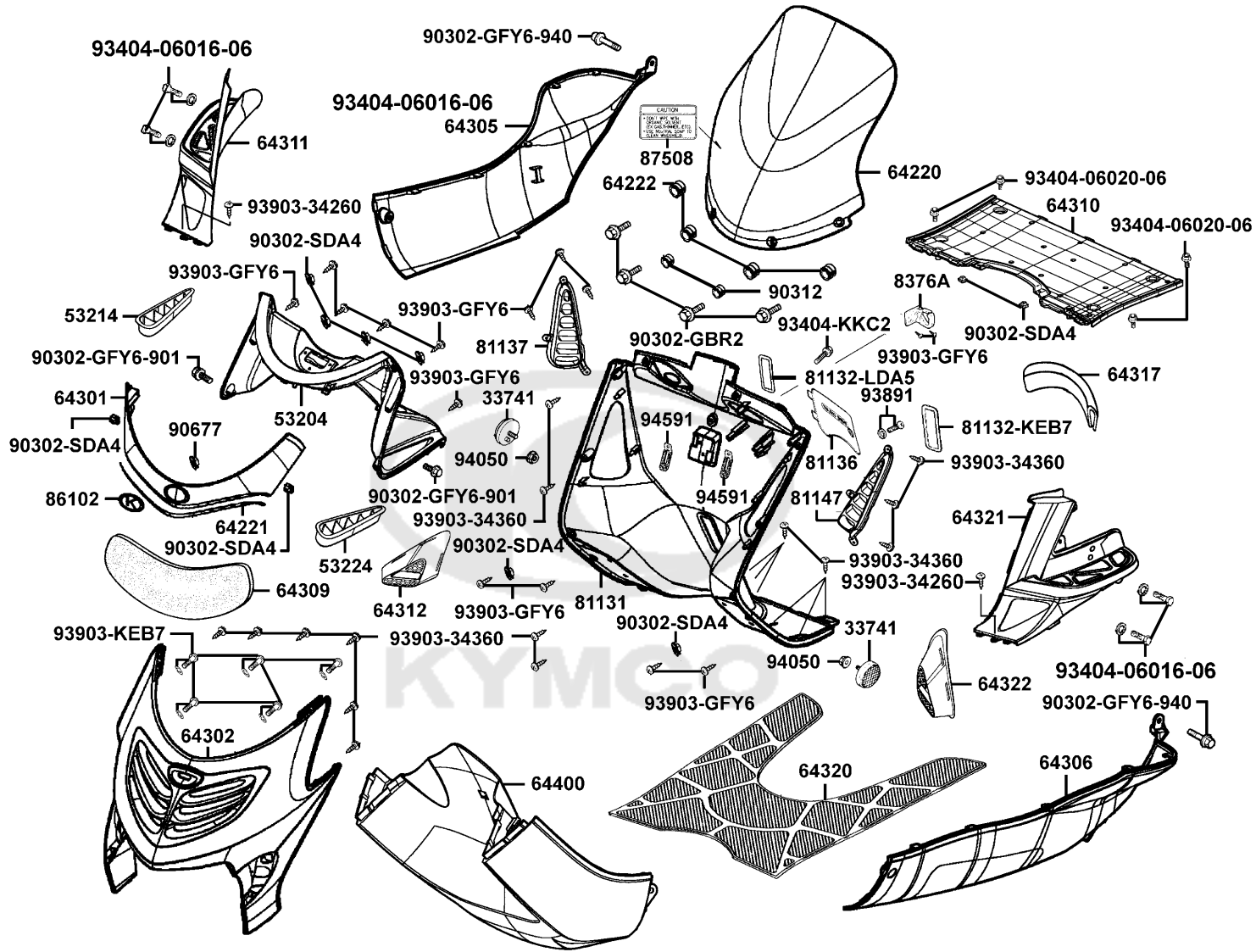
F04

Brake Master Cylinder



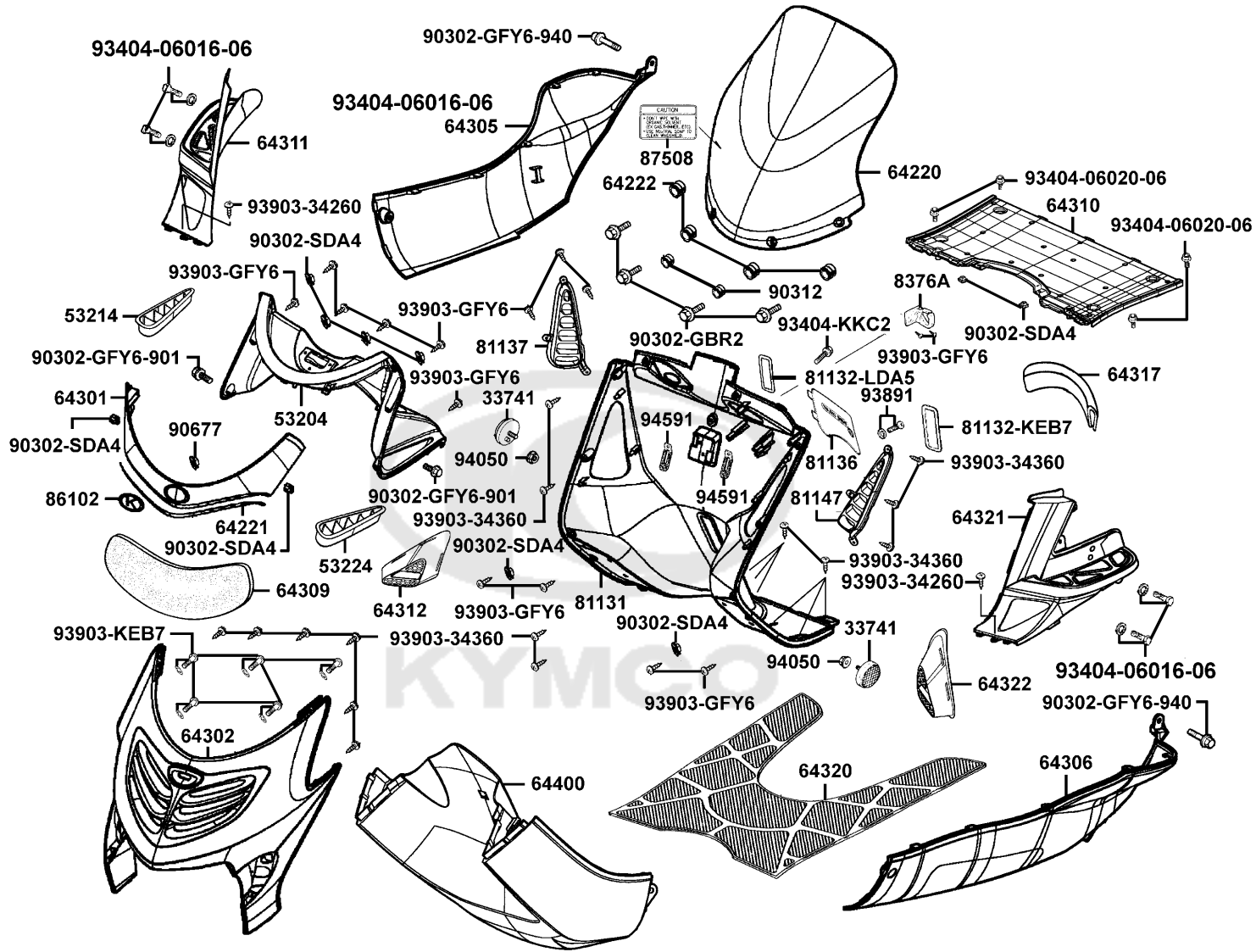
Sales mark	Ref no	Part no	Description	Reg description	Regd no	F04
	35340	35340-KNBN-901	SW ASSY FR STOP	SW ASSY FR STOP	1	
	45126	45126-KKC2-900	HOSE ASSY FR BRK	HOSE ASSY FR BRK	1	
	45128	45128-KEBE-900	CLAMPER FR BRAKE HOSE	CLAMPER FR BRAKE HOSE	1	
	45513	45513-KXCX-M00	CAP MASTER CYLINDER	CAP MASTER CYLINDER	1	
	45517	45517-KFAF-910	HOLDER M/C	HOLDER M/C	1	
	45520	45520-GLW0-91A	DIAPHRAGM	DIAPHRAGM	1	
	45530	45530-KFC8-E00	CYLN SET FR MASTER	CYLN SET FR MASTER	1	
**	53175	53175-KFA5-E10	LEVER R STRG HNDL	LEVER R STRG HNDL	1	
	90114	90114-1F66-007	BOLT HANDLE LEVER	BOLT HANDLE LEVER	1	
	90145	90145-MKS9-61A	OIL BOLT 10*22	OIL BOLT 10*22	2	
	90545	90545-3L00-001	WASHER OIL BOLT	WASHER OIL BOLT	4	
	93600	93600-04012-1G	SCREW FLAT 4*12	SCREW FLAT 4*12	2	
	93893	93893-04012-18	SCREW WASHER 4*12	SCREW WASHER 4*12	1	
	94050	94050-06060	NUT FLANGE 6MM	NUT FLANGE 6MM	1	
	95701	95701-06012-08	BOLT FLANGE 6*12	BOLT FLANGE 6*12	1	
	96001	96001-06022-06	BOLT FLANGE SH 6*25	BOLT FLANGE SH 6*25	2	

Front Cover/Floor Panel



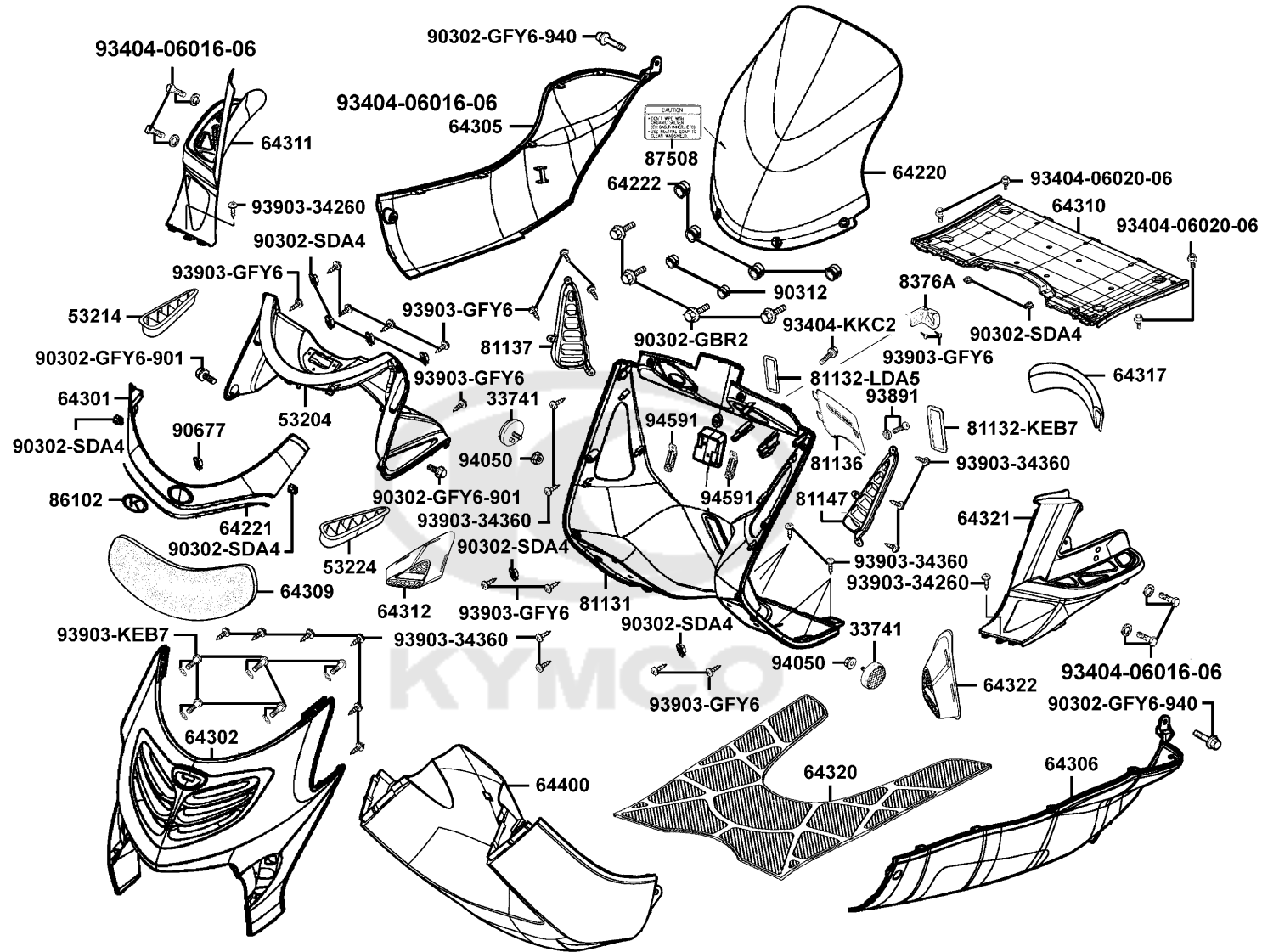
Sales mark	Ref no	Part no	Description	Reg description	Regd no	<b>F05</b>
	33741	33741-GFY6-C30	REFLEX REFLECTOR	REFLEX REFLECTOR	2	
**	53204	53204-KKC4-900	COVER METER	COVER METER	1	
**	53214	53214-KKC4-900	GRID R METER COVER	GRID R METER COVER	1	
**	53224	53224-KKC4-900	GRID L METER COVER	GRID L METER COVER	1	
	64220	64220-KKC4-900	WIND SCREEN	WIND SCREEN	1	
	64221	64221-KKC4-900	SEAL WIND SCREEN	SEAL WIND SCREEN	1	
	64222	64222-KKC4-900	RUBBER WIND SCREEN	RUBBER WIND SCREEN	4	
**	64301	64301-KKC4-900	COVER SCREEN	COVER SCREEN	1	
**	64302	64302-KKC4-900	MOLDING FR	MOLDING FR	1	
**	64305	64305-KKC4-900	SKIRT R SIDE	SKIRT R SIDE	1	
**	64306	64306-KKC4-900	SKIRT L SIDE	SKIRT L SIDE	1	
	64309	64309-KKC4-900	GRILL FR COVER	GRILL FR COVER	1	
**	64310	64310-KKC4-900	FLOOR PANEL	FLOOR PANEL	1	
**	64311	64311-KKC4-900	COVER R PILLION STEP	COVER R PILLION STEP	1	
**	64312	64312-KKC4-900	GRID R PILLION STEP	GRID R PILLION STEP	1	
	64317	64317-KKC4-900	SEAL METER COVER FR	SEAL METER COVER FR	1	
**	64320	64320-KKC4-900	MAT FLOOR	MAT FLOOR	1	
**	64321	64321-KKC4-900	COVER L PILLION STEP	COVER L PILLION STEP	1	
**	64322	64322-KKC4-900	GRID L PILLION STEP	GRID L PILLION STEP	1	
**	64400	64400-KKC4-900	COWL UNDER	COWL UNDER	1	

Front Cover/Floor Panel




Sales mark	Ref no	Part no	Description	Reg description	Regd no	F05
**	81131	81131-KKC4-900	LEG SHIELD	LEG SHIELD	1	
**	81132-KEB7	81132-KEB7-900	LID LEG SHIELD	LID LEG SHIELD	1	
**	81132-LDA5	81132-LDA5-E00	LID LEG SHIELD WIND	LID LEG SHIELD WIND	1	
**	81136	81136-LDA5-E00	LID RESERVE TANK	LID RESERVE TANK	1	
**	81137	81137-KKC4-900	GRID R LEG SHIELD	GRID R LEG SHIELD	1	
**	81147	81147-KKC4-900	GRID L LEG SHIELD	GRID L LEG SHIELD	1	
	8376A	8376A-KEBE-900	CLIP ASSY CENTER	CLIP ASSY CENTER	1	
**	86102	86102-KFA6-E00	EMB K-LOGO 30MM	EMB K-LOGO 30MM	1	
**	87508	87508-KKC4-E00	LABEL CLEANNESS CAUYION	LABEL CLEANNESS CAUYION	1	
	90302-GBR2	90302-GBR2-001	BOLT WASHER 5*16	BOLT WASHER 5*16	4	
	90302-GFY6-901	90302-GFY6-901	BOLT WASH 5*12	BOLT WASH 5*12	2	
	90302-GFY6-940	90302-GFY6-940	BOLT WASHER 5*16	BOLT WASHER 5*16	2	
	90302-SDA4	90302-SDA4-004	NUT SPRING 4MM	NUT SPRING 4MM	10	
	90312	90312-GLF0-001	COLLAR BODY COVER	COLLAR BODY COVER	2	
	90677	90677-GAR1-004	NUT CLIP 5MM	NUT CLIP 5MM	1	
	93404-06016-06	93404-06016-06	BOLT WASHER 6*16	BOLT WASHER 6*16	4	
	93404-06020-06	93404-06020-06	BOLT WASHER 6*20	BOLT WASHER 6*20	4	
	93404-KKC2	93404-KKC2-900	BOLT WASH 6*16	BOLT WASH 6*16	1	
	93891	93891-05012-06	SCREW WASHER 5*12	SCREW WASHER 5*12	1	
	93903-34260	93903-34260	SCREW TAPPING 4*10	SCREW TAPPING 4*10	2	

Front Cover/Floor Panel

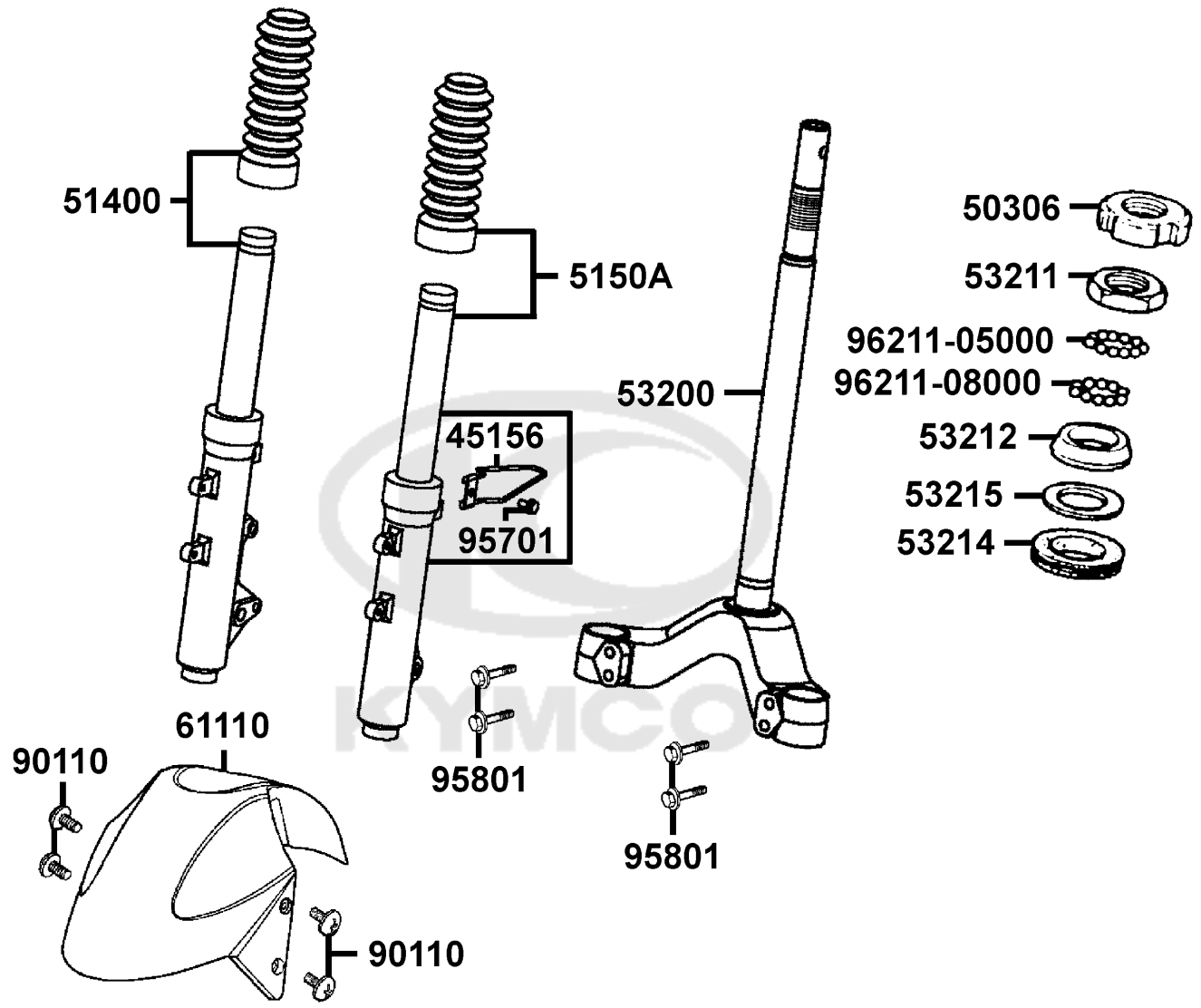




Sales mark	Ref no	Part no	Description	Reg description	Regd no	<b>F05</b>
	93903-34360	93903-34360	SCREW TAPPING 4*12	SCREW TAPPING 4*12	26	
	93903-GFY6	93903-GFY6-900	SCREW TAPP 4*14	SCREW TAPP 4*14	8	
	93903-KEB7	93903-KEB7-900-06	SCREW WASHER 4MM	SCREW WASHER 4MM	5	
	94050	94050-06080	NUT FLANGE 6MM	NUT FLANGE 6MM	2	
	94591	94591-27000	CLIP 2*100	CLIP 2*100	2	
						

F06

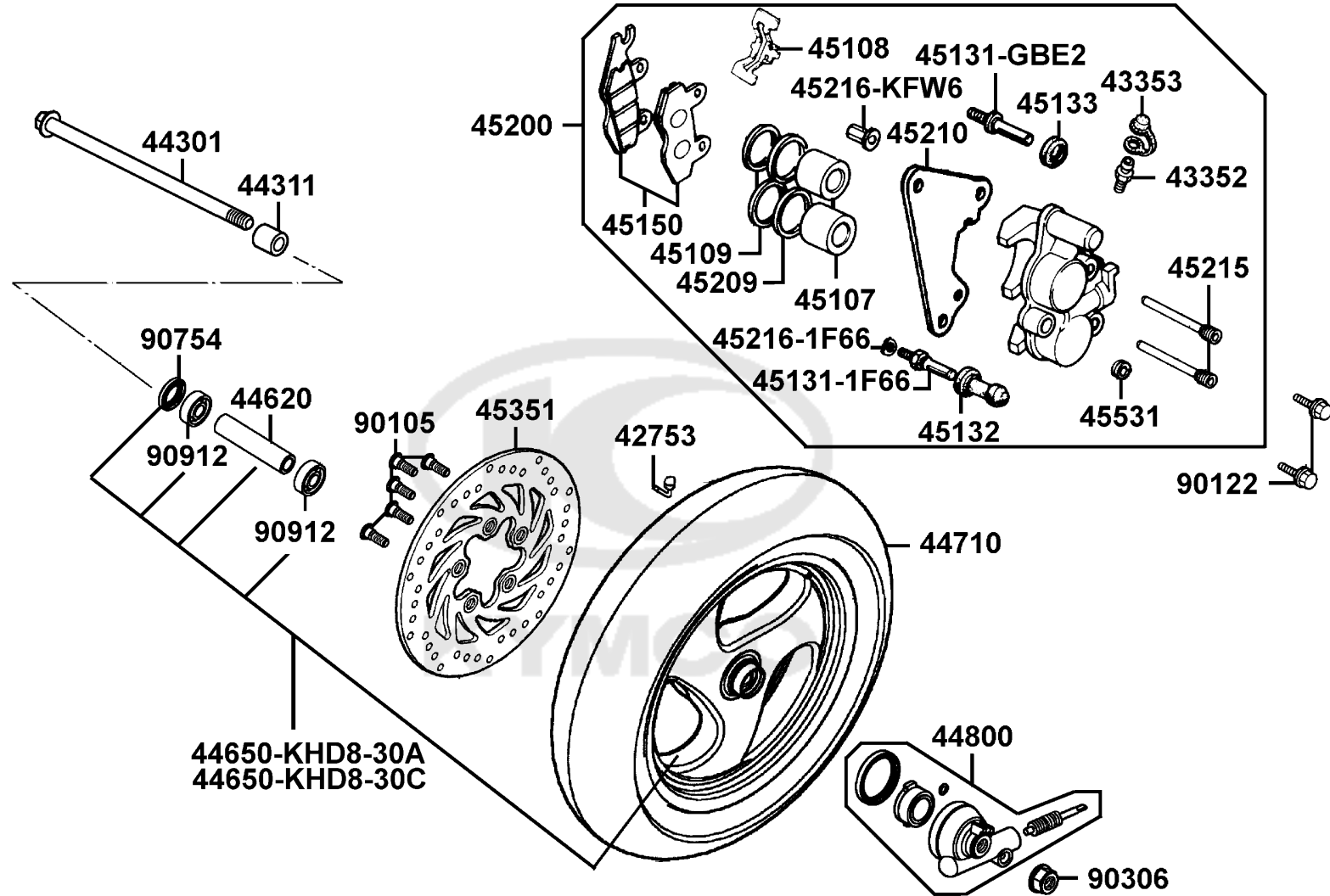
Front Cushion



Sales mark	Ref no	Part no	Description	Reg description	Regd no	F06
	45156	45156-KECE-900	CLAMPER FR BRK CABLE	CLAMPER FR BRK CABLE	1	
	50306	50306-1F96-001	NUT STRG STEM LOCK	NUT STRG STEM LOCK	1	
**	51400	51400-KKC4-900	FORK ASSY R FR	FORK ASSY R FR	1	
**	5150A	5150A-KKC4-900	FORK SET L FR	FORK SET L FR	1	
	53200	53200-LDA5-E00	STEM COMP STRG	STEM COMP STRG	1	
	53211	53211-GFY6-940	RACE STRG TOP CONE	RACE STRG TOP CONE	1	
	53212	53212-2L50-011	RACE (STRG BOTTOM) CONE	RACE (STRG BOTTOM) CONE	1	
	53214	53214-2L50-001	DUST SEAL STRG	DUST SEAL STRG	1	
	53215	53215-2L50-001	WASHER STRG HEAD DUST	WASHER STRG HEAD DUST	1	
**	61110	61110-KHD8-900	FENDER FR	FENDER FR	1	
	90110	90110-KEB7-900	SCREW SPECIAL 6*14	SCREW SPECIAL 6*14	4	
	95701	95701-06012-08	BOLT FLANGE 6*12	BOLT FLANGE 6*12	1	
	95801	95801-08040-08	BOLT FLANGE 8*40	BOLT FLANGE 8*40	4	
	96211-05000	96211-05000	BALL STEEL #5	BALL STEEL #5	26	
	96211-08000	96211-08000	BALL STEEL #8	BALL STEEL #8	19	

F07

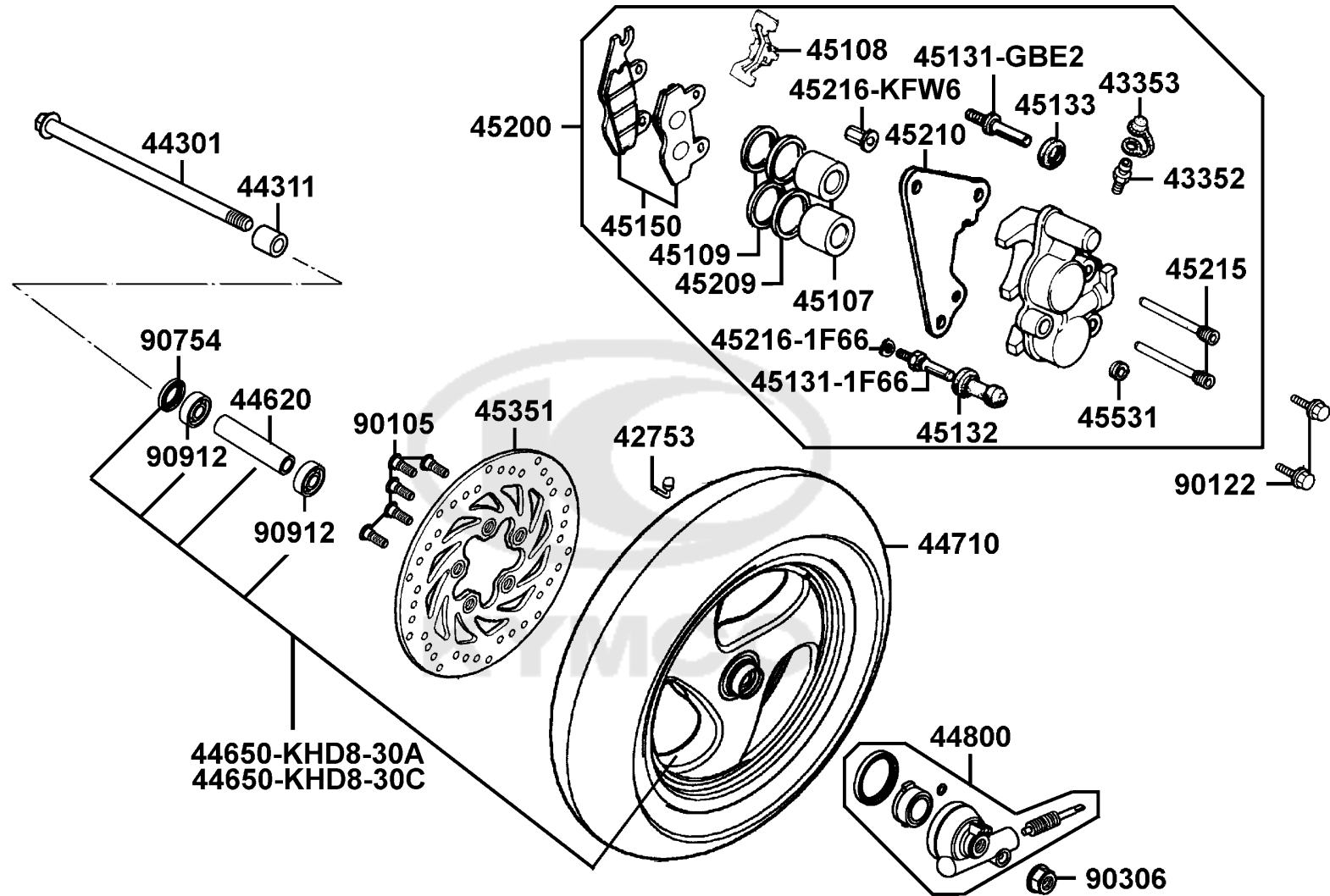
# Front Wheel



Sales mark	Ref no	Part no	Description	Reg description	Regd no	<b>F07</b>
	42753	42753-KXCX-900	VALVE RIM PVR 70B	VALVE RIM PVR 70B	1	
	43352	43352-5H68-004	SCREW BLEEDER	SCREW BLEEDER	1	
	43353	43353-4A61-77A	CAP BLEEDER	CAP BLEEDER	1	
	44301	44301-KXCX-900	AXLE FR WHEEL	AXLE FR WHEEL	1	
	44311	44311-KEBE-900	COLLAR FR WHEEL SIDE	COLLAR FR WHEEL SIDE	1	
	44620	44620-KHD8-900	COLLAR FR AXLE DISTANCE	COLLAR FR AXLE DISTANCE	1	
**	44650-KHD8-30A	44650-KHD8-30A	WHEEL SET FR	WHEEL SET FR	1	
**	44650-KHD8-30C	44650-KHD8-30C	WHEEL SET FR	WHEEL SET FR	1	
	44710	44710-KKC4-900	TIRE ASSY FR /CHENG SHIN	TIRE ASSY FR /CHENG SHIN	1	
	44800	44800-KFA5-900	GEAR BOX ASSY	GEAR BOX ASSY	1	
	45107	45107-MEN5-007	PISTON	PISTON	2	
	45108	45108-MDL4-007	PAD SPRING	PAD SPRING	1	
	45109	45109-GBE2-007	DUST SEAL	DUST SEAL	2	
	45131-1F66	45131-1F66-017	PIN BOLT	PIN BOLT	1	
	45131-GBE2	45131-GBE2-007	PIN BOLT A	PIN BOLT A	1	
	45132	45132-1F66-017	BUSH BOOT PIN	BUSH BOOT PIN	1	
	45133	45133-MCA3-007	BOOT B	BOOT B	1	
	45150	45150-LLB5-305	PAD COMP	PAD COMP	1	
**	45200	45200-KKC2-E00	CALIPER ASSY FR	CALIPER ASSY FR	1	
	45209	45209-GBE2-007	SEAL PISTON	SEAL PISTON	2	

F07

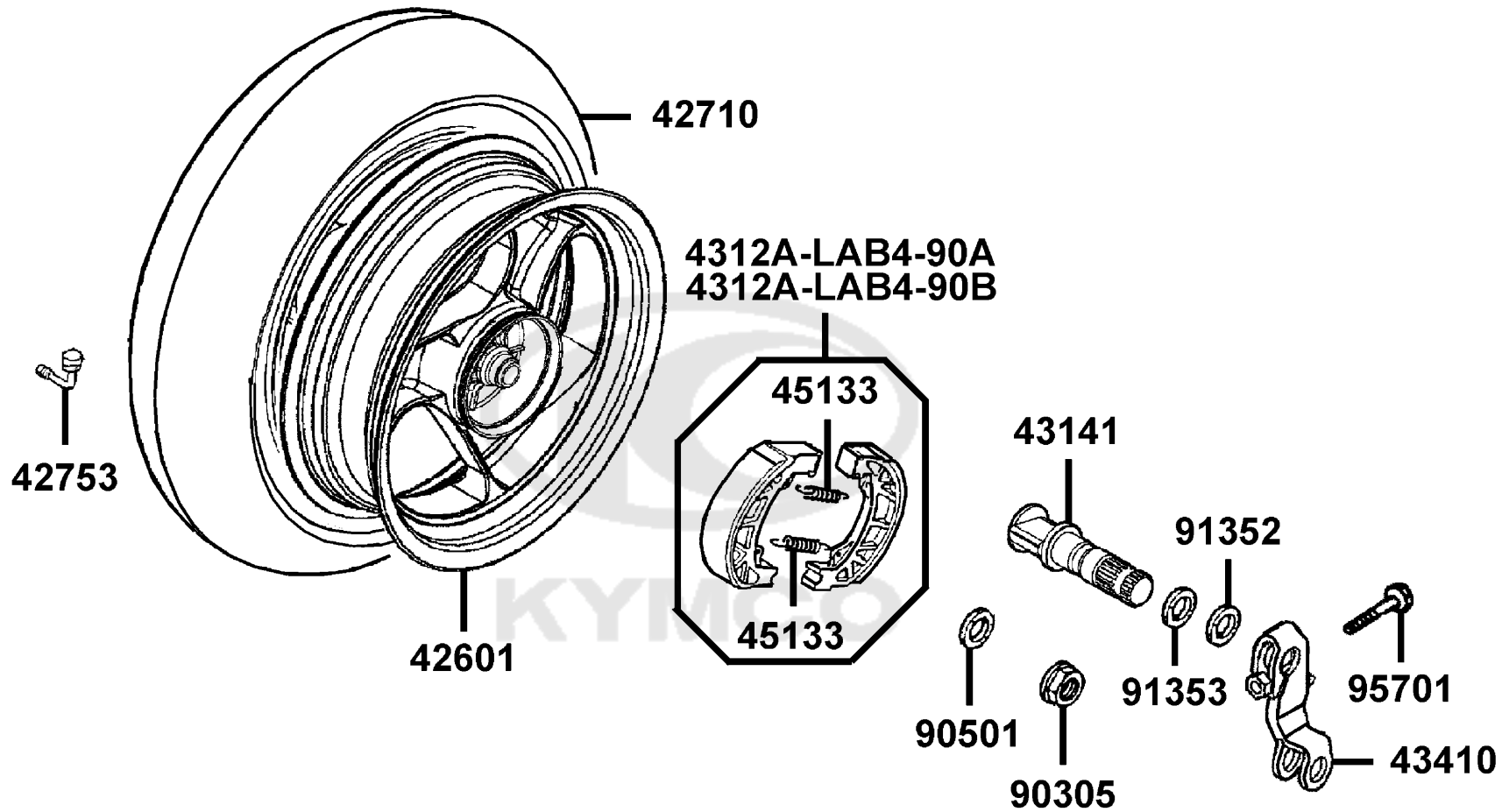
Front Wheel



Sales mark	Ref no	Part no	Description	Reg description	Regd no	<b>F07</b>
45210		45210-KHD8-900	BRACKET FR	BRACKET FR	1	
45215		45215-KECE-900	PIN HANGER	PIN HANGER	2	
45216-1F66		45216-1F66-007	WASHER WAVE	WASHER WAVE	1	
45216-KFW6		45216-KFW6-90A	TORQUE NUT	TORQUE NUT	1	
45351		45351-KHE7-E00	DISK RR BRAKE	DISK RR BRAKE	1	
45531		45531-GAR1-951	PLUG	PLUG	1	
90105		90105-KCR3-001	BOLT FR DISK 8*24	BOLT FR DISK 8*24	5	
90122		90122-KEBE-900	BOLT FLANGE 8X32	BOLT FLANGE 8X32	2	
90306		90306-KLF0-004-SY	NUT FLANGE 12MM	NUT FLANGE 12MM	1	
90754		90754-GHC8-00A	SEAL DUST 20*32*5	SEAL DUST 20*32*5	1	
90912		90912-KFLF-00A	BEARING 6201 LLU	BEARING 6201 LLU	2	

F08

Rear Wheel

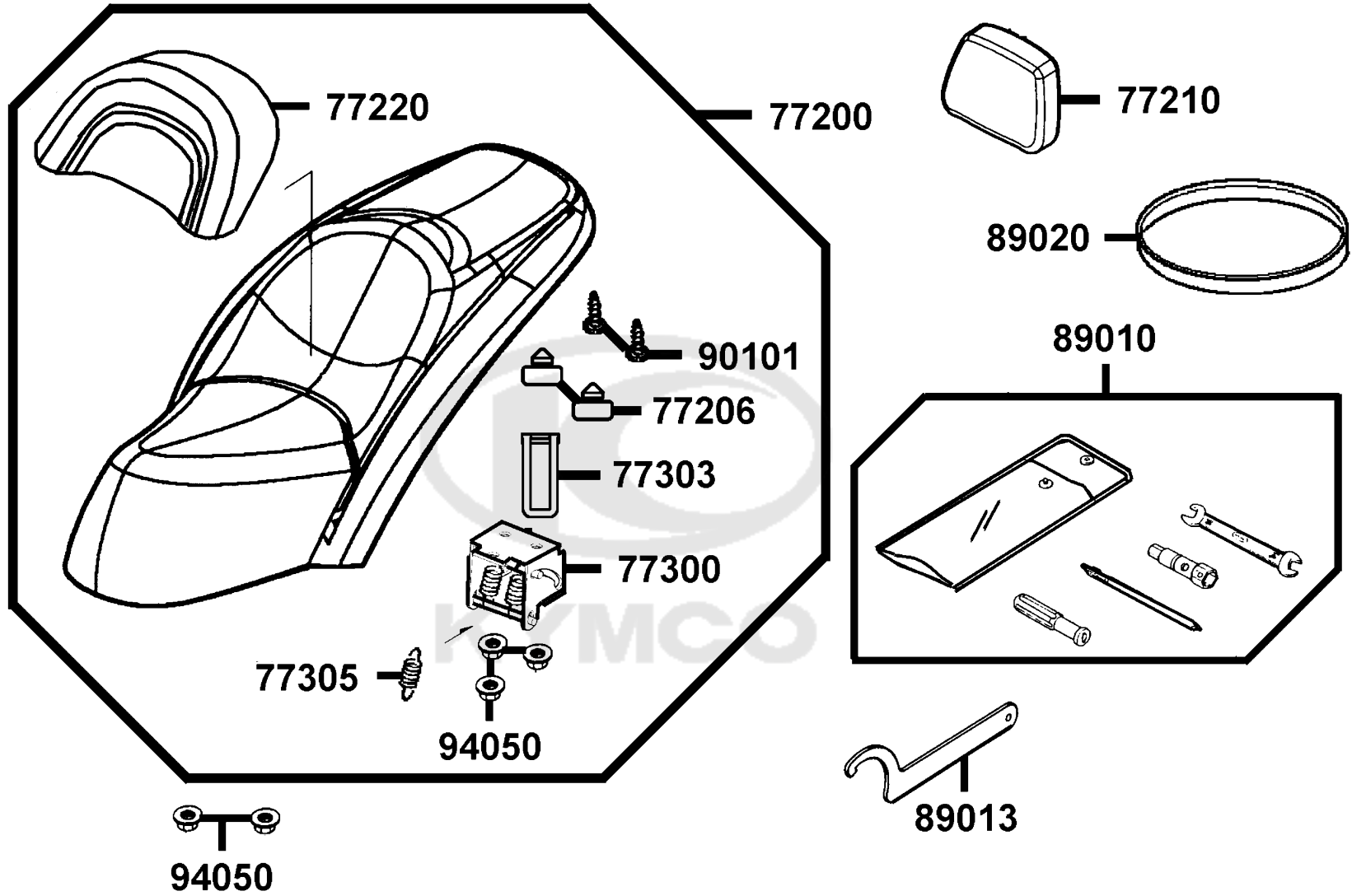




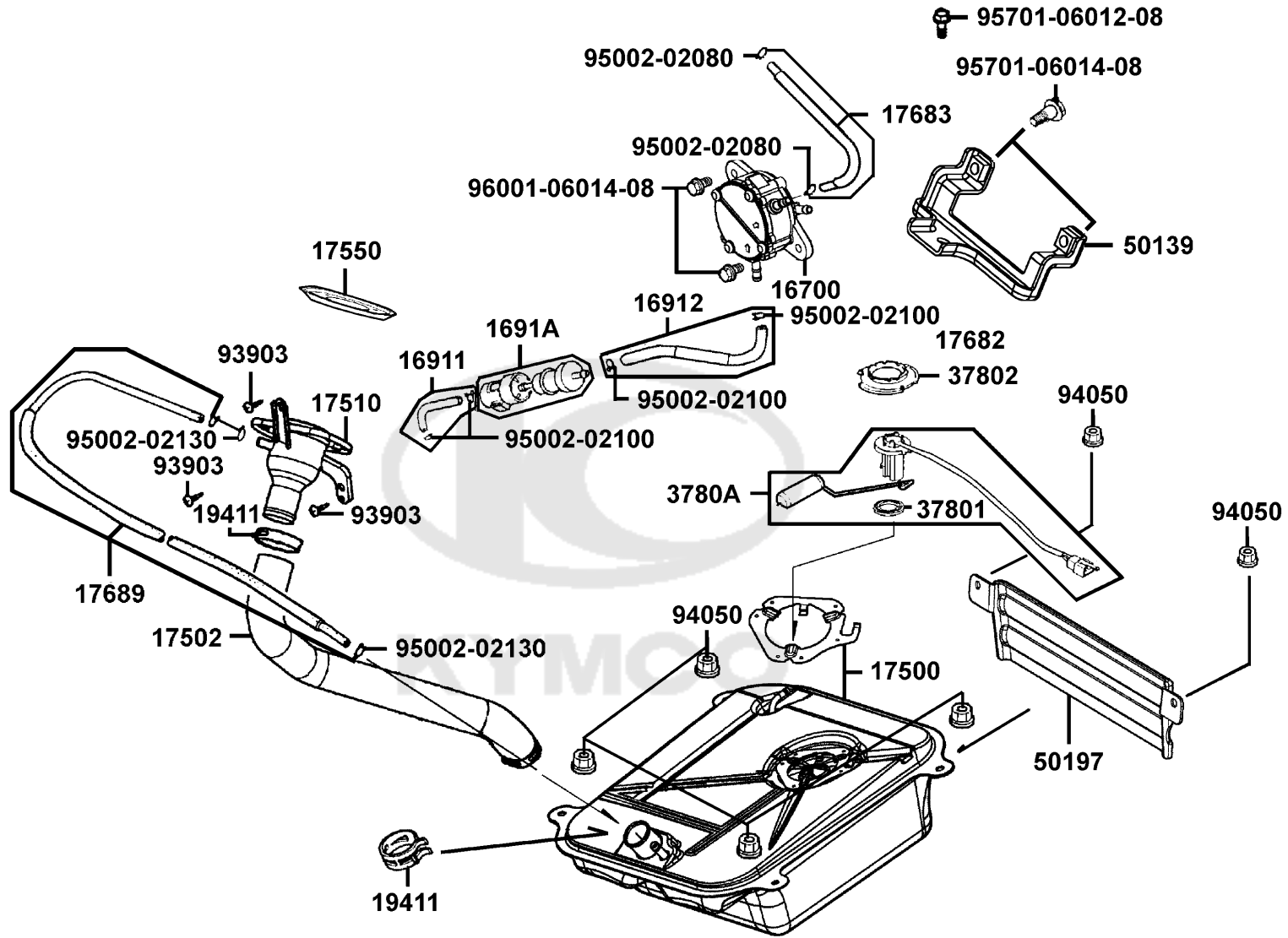
Sales mark	Ref no	Part no	Description	Reg description	Regd no	F08
**	42601	42601-KEB7-E0E	WHEEL COMP RR CAST	WHEEL COMP RR CAST	1	
	42710	42710-KEB7-E1A	TIRE ASSY RR /CHENG SHIN	TIRE ASSY RR /CHENG SHIN	1	
	42753	42753-KNBN-90A	VALVE (TR 412)	VALVE (TR 412)	1	
	4312A-LAB4-90A	4312A-LAB4-90A	SHOE COMP RR BRAKE	SHOE COMP RR BRAKE	1	
	4312A-LAB4-90B	4312A-LAB4-90B	SHOE COMP RR BRAKE	SHOE COMP RR BRAKE	1	
	43141	43141-KKD6-E00	CAM RR BRK	CAM RR BRK	1	
	43410	43410-KFA1-900	ARM COMP RR BRAKE	ARM COMP RR BRAKE	1	
	45133	45133-0H28-001	SPRING BRAKE SHOE	SPRING BRAKE SHOE	2	
	90305	90305-KNBN-90B	NUT FLANGE 16MM	NUT FLANGE 16MM	1	
	90501	90501-KNBN-901	WASHER 16MM	WASHER 16MM	1	
	91352	91352-KHG8-83B	O-RING 11.3*1.3	O-RING 11.3*1.3	1	
	91353	91353-GFY6-900	O-RING 13.1*10	O-RING 13.1*10	1	
	95701	95701-06022-08	BOLT FLANGE 6*22	BOLT FLANGE 6*22	1	

F09

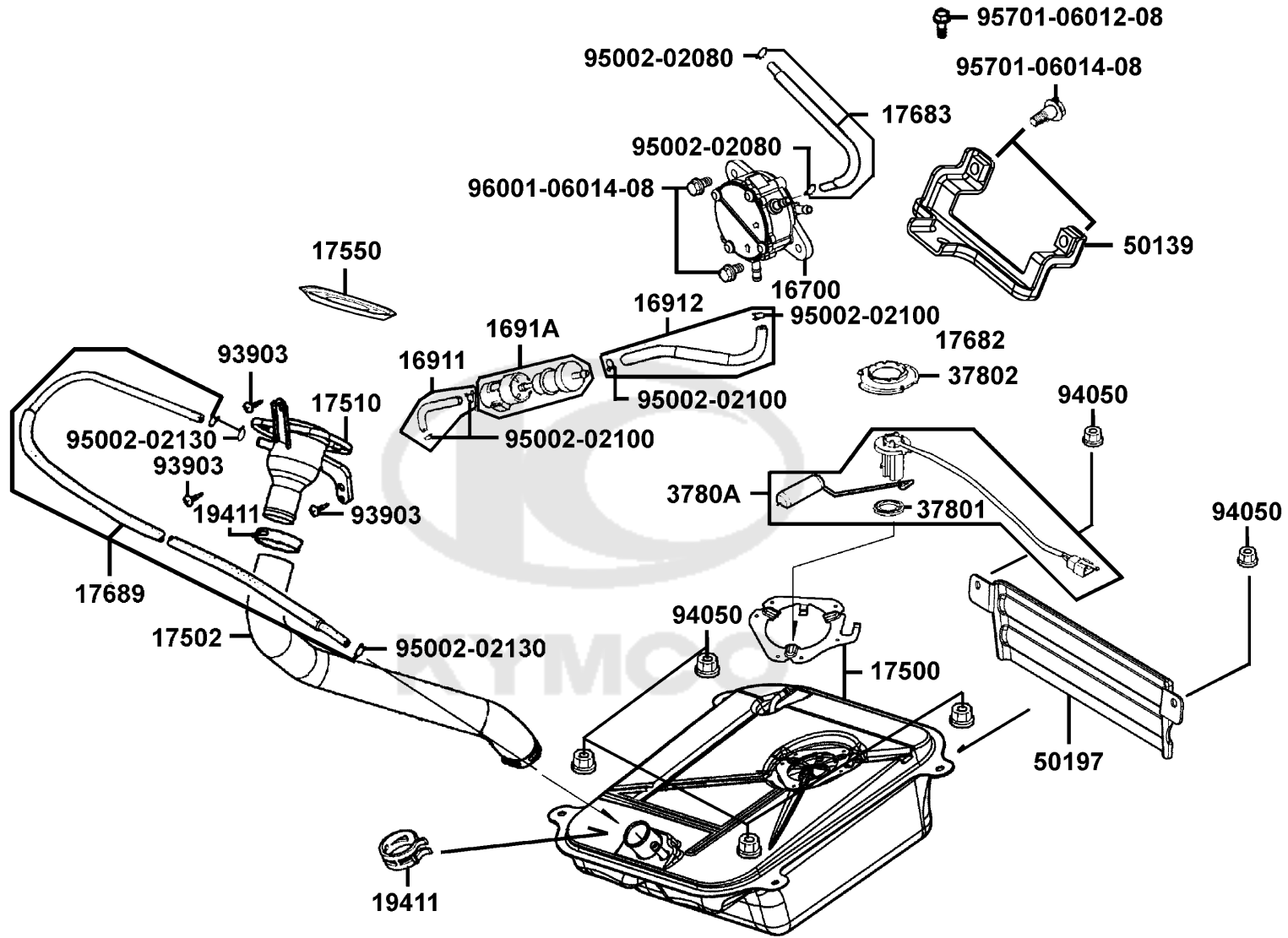
Seat



Sales mark	Ref no	Part no	Description	Reg description	Regd no	<b>F09</b>
**	77200	77200-KKC4-E01	SEAT ASSY	SEAT ASSY	1	
	77206	77206-KEB7-900	RUBBER SEAT CUSH	RUBBER SEAT CUSH	2	
**	77210	77210-KKC4-900	SEAT ASSY BACK	SEAT ASSY BACK	1	
**	77220	77220-KKC4-910	SEAT ASSY PAD	SEAT ASSY PAD	1	
	77300	77300-KKC4-900	HINGE ASSY SEAT	HINGE ASSY SEAT	1	
	77303	77303-LLF5-900	HOOK SEAT LOCK	HOOK SEAT LOCK	1	
	77305	77305-KKC4-900	SPRING HINGE	SPRING HINGE	2	
	89010	89010-GGS7-C00	TOOL SET	TOOL SET	1	
	89013	89013-KFC8-E00	ADJUSTER REAR CUSHION	ADJUSTER REAR CUSHION	1	
	89020	89020-KKC4-900	BAND TOOL SET	BAND TOOL SET	1	
	90101	90101-KGC4-E00	SCREW SPECIAL 6*15	SCREW SPECIAL 6*15	2	
	94050	94050-06080	NUT FLANGE 6MM	NUT FLANGE 6MM	5	



Sales mark	Ref no	Part no	Description	Reg description	Regd no	F10
	16700	16700-GKAK-220	FUEL PUMP ASSY	FUEL PUMP ASSY	1	
	16911	16911-LDA5-E00	TUBE ASSY TANK TO STRAINER	TUBE ASSY TANK TO STRAINER	1	
	16912	16912-LDA5-E00	TUBE ASSY STRAINER TO FUEL PUMP	TUBE ASSY STRAINER TO FUEL PUMP	1	
	1691A	1691A-KEC2-E00	STRAINER ASSY FUEL	STRAINER ASSY FUEL	1	
	17500	17500-KKC4-900	TANK COMP FUEL	TANK COMP FUEL	1	
	17502	17502-KKC4-900	TUBE FUEL	TUBE FUEL	1	
	17510	17510-KKC4-E00	PIPE ASSY FUEL FILLER	PIPE ASSY FUEL FILLER	1	
	17550	17550-KHC4-900	TRAY FUEL CAP	TRAY FUEL CAP	1	
	17683	17683-LDA5-E00	TUBE ASSY FUEL	TUBE ASSY FUEL	1	
	17689	17689-KEBE-900	TUBE ASSY TANK-FILLER	TUBE ASSY TANK-FILLER	1	
	19411	19411-KBCB-900	CLIP HOSE	CLIP HOSE	2	
	37801	37801-GGA7-701	PACKING BASE	PACKING BASE	1	
	37802	37802-GGA7-701	RET FUEL UNIT	RET FUEL UNIT	1	
	3780A	3780A-KKC3-900	FUEL UNIT ASSY	FUEL UNIT ASSY	1	
	50139	50139-LDA5-E00	STAY FUEL PUMP	STAY FUEL PUMP	1	
	50197	50197-KKC4-900	STAY FLOOR	STAY FLOOR	1	
	93903	93903-35220	SCREW TAPPING 5*12	SCREW TAPPING 5*12	3	
	94050	94050-06080	NUT FLANGE 6MM	NUT FLANGE 6MM	6	
	95002-02080	95002-02080	CLIP B8 CHAMBER TUBE	CLIP B8 CHAMBER TUBE	2	
	95002-02100	95002-02100	CLIP B10 TUBE	CLIP B10 TUBE	4	



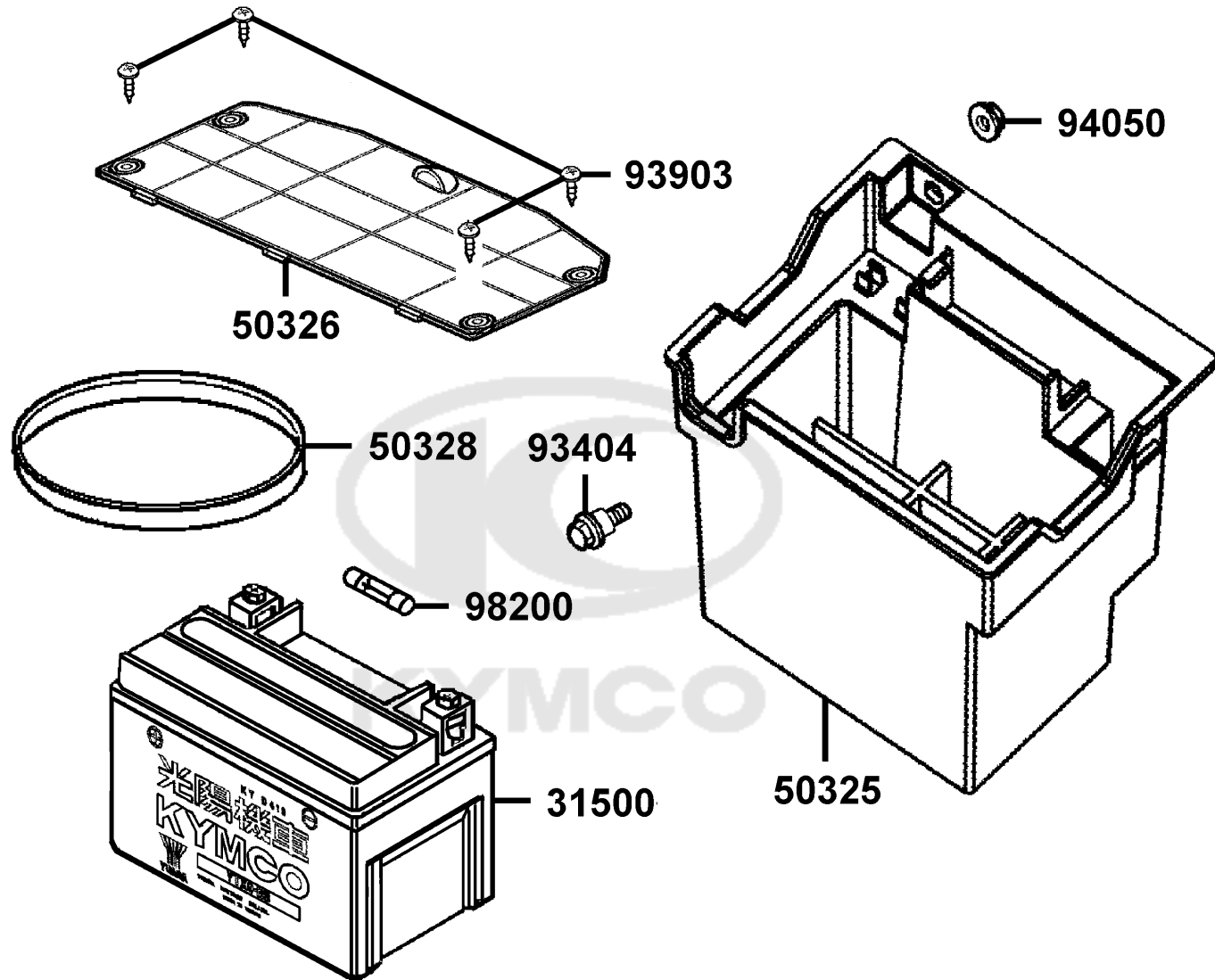
Sales mark	Ref no	Part no	Description	Reg description	Regd no	<b>F10</b>
------------	--------	---------	-------------	-----------------	---------	------------

95002-02130		95002-02130	CLIP B12.5 TUBE	CLIP B12.5 TUBE	3	
95701-06012-08		95701-06012-08	BOLT FLANGE 6*12	BOLT FLANGE 6*12	1	
95701-06014-08		95701-06014-08	BOLT FLANGE 6*14	BOLT FLANGE 6*14	2	
96001-06014-08		96001-06014-08	BOLT FLANGE 6*14	BOLT FLANGE 6*14	2	



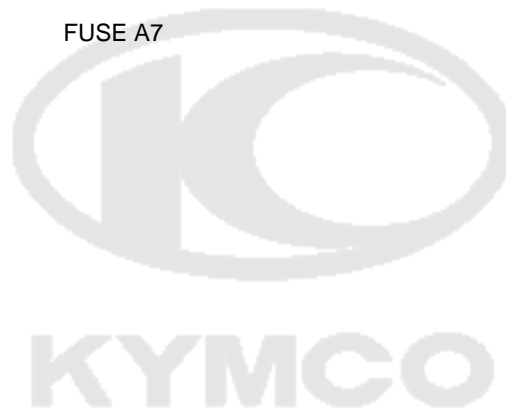
F11

Battery



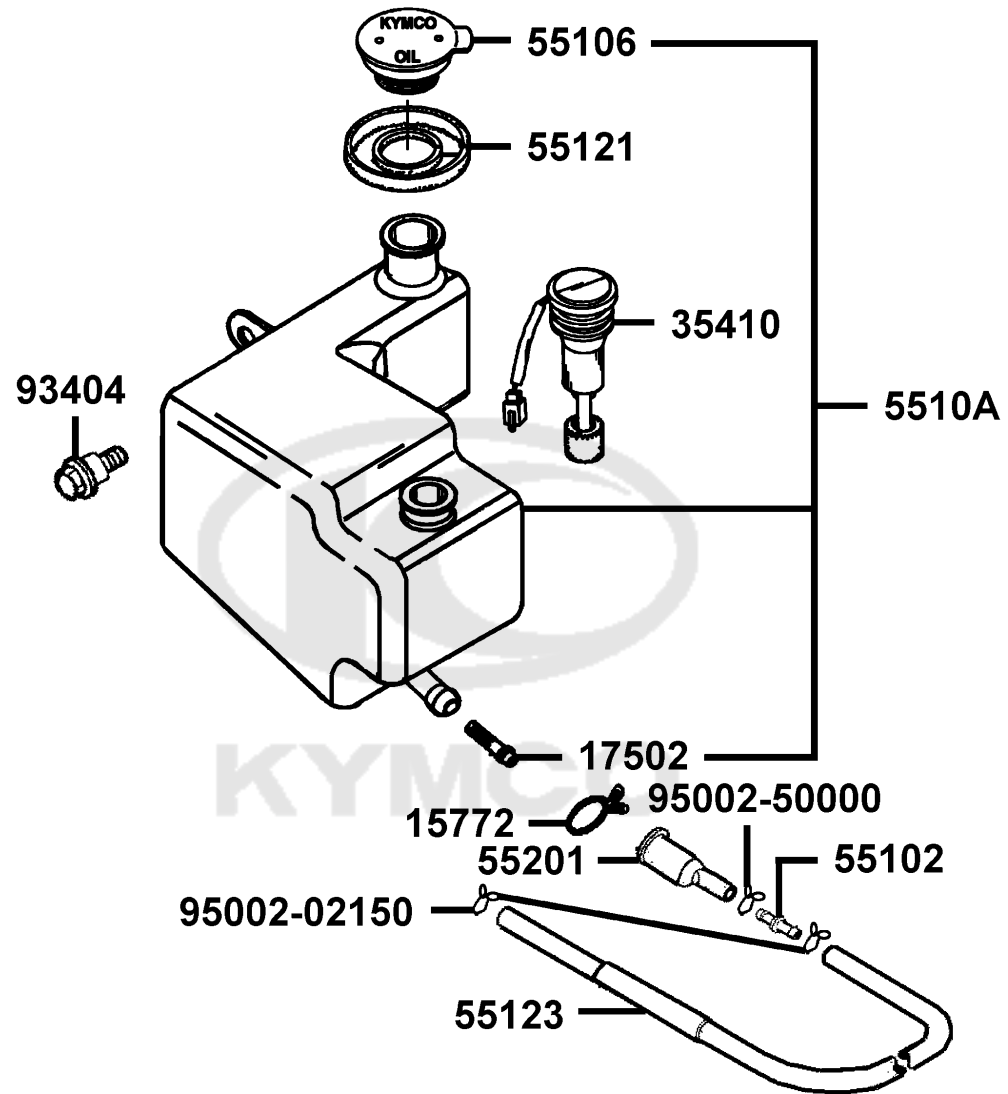


Sales mark	Ref no	Part no	Description	Reg description	Regd no	<b>F11</b>
31500		31500-KCAC-90A	BATTERY YTX4L-BS	BATTERY YTX4L-BS	1	
50325		50325-LDA5-E00	CASE BATTERY	CASE BATTERY	1	
50326		50326-LDA5-E00	COVER BATTERY	COVER BATTERY	1	
50328		50328-GKAK-200	BAND BATTERY	BAND BATTERY	1	
93404		93404-06016-06	BOLT WASHER 6*16	BOLT WASHER 6*16	1	
93903		93903-GFY6-900	SCREW TAPP 4*14	SCREW TAPP 4*14	4	
94050		94050-06080	NUT FLANGE 6MM	NUT FLANGE 6MM	1	
98200		98200-10700	FUSE A7	FUSE A7	1	



F12

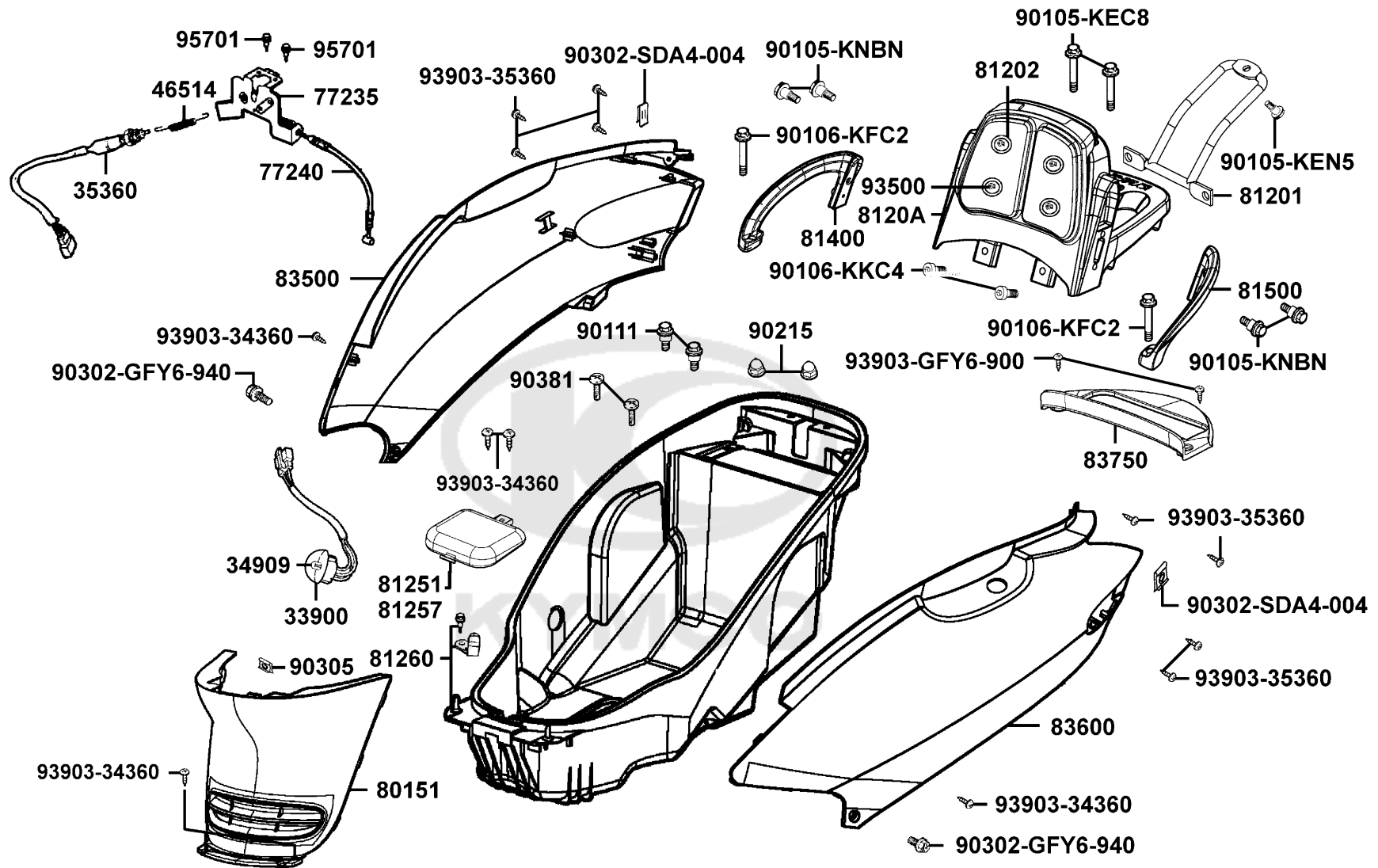
OIL TANK



Sales mark	Ref no	Part no	Description	Reg description	Regd no	F12
15772		15772-5A51-001	CLIP BREATHER TUBE	CLIP BREATHER TUBE	1	
17502		17502-1G87-001	OIL STRAINER	OIL STRAINER	1	
35410		35410-KEB7-900	SW COMP OIL LEVEL	SW COMP OIL LEVEL	1	
55102		55102-1F66-001	JOINT OIL TUBE	JOINT OIL TUBE	1	
55106		55106-KEB7-900	CAP TANK OIL	CAP TANK OIL	1	
5510A		5510A-LDA5-E00	TANK OIL	TANK OIL	1	
55121		55121-LDA5-E00	RUBBER OIL GUIDE	RUBBER OIL GUIDE	1	
55123		55123-LDA5-E00	TUBE 5.3 OIL	TUBE 5.3 OIL	1	
55201		55201-1G87-001	JOINT OIL STRN	JOINT OIL STRN	1	
93404		93404-06016-06	BOLT WASHER 6*16	BOLT WASHER 6*16	1	
95002-02150		95002-02150	CLIP B14.5 TUBE	CLIP B14.5 TUBE	2	
95002-50000		95002-50000	CLIP C9 TUBE	CLIP C9 TUBE	1	

F13

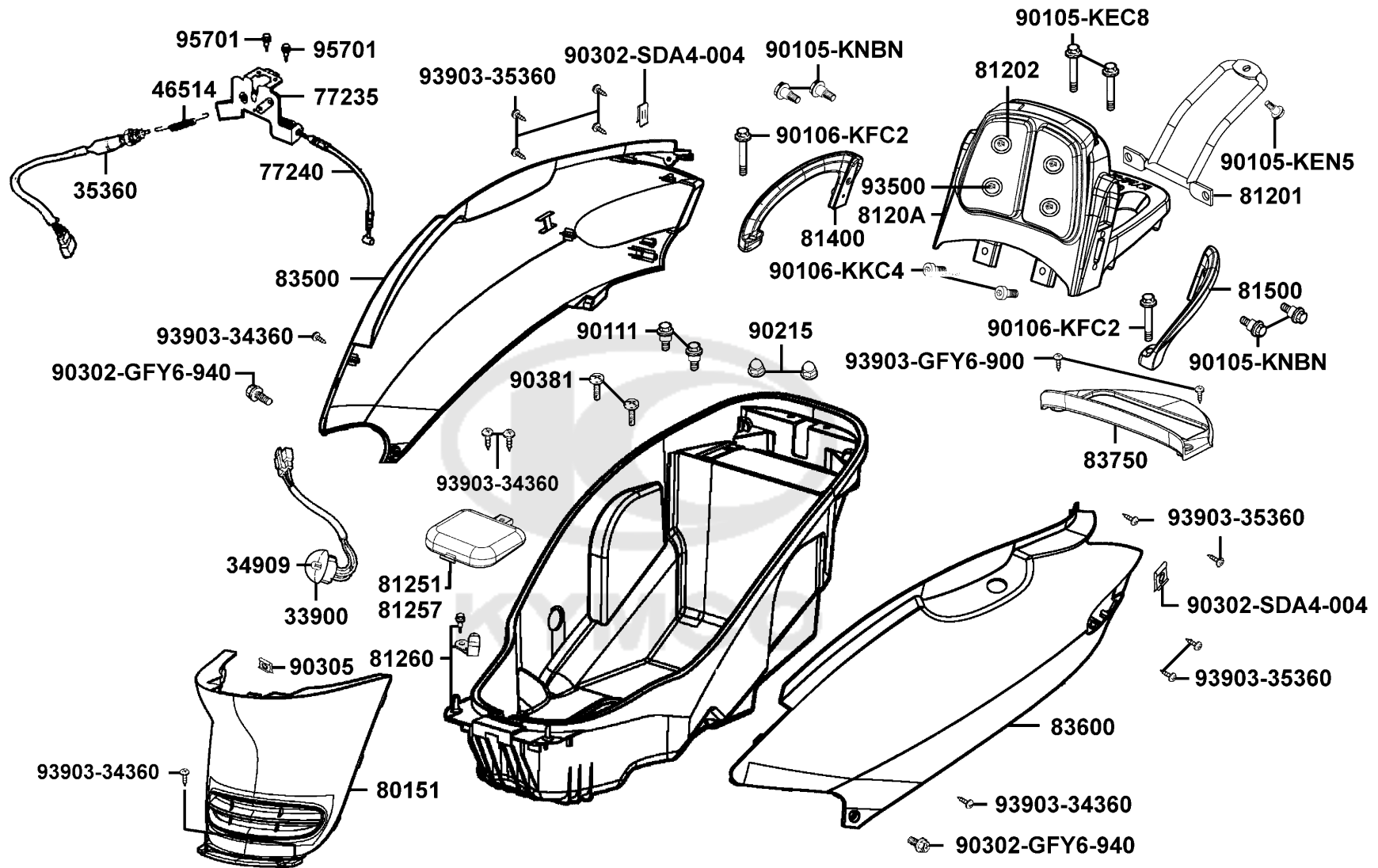
# Body Cover Luggage Box



Sales mark	Ref no	Part no	Description	Reg description	Regd no	<b>F13</b>
	33900	33900-KFBF-900	LIGHT ASSY LUGGAGE BOX	LIGHT ASSY LUGGAGE BOX	1	
	34909	34909-KFBF-900	BULB WEDGE BASE	BULB WEDGE BASE	1	
	35360	35360-KFBF-900	SW UNIT LUGGAGE BOX LIGHT	SW UNIT LUGGAGE BOX LIGHT	1	
	46514	46514-KFBF-900	SPRING STOP SWITCH	SPRING STOP SWITCH	1	
	77235	77235-KKC4-900	CATCH COMP SEAT	CATCH COMP SEAT	1	
	77240	77240-KKC4-900	CABLE COMP SEAT LOCK	CABLE COMP SEAT LOCK	1	
**	80151	80151-KKC4-900	COVER CENTER	COVER CENTER	1	
	81201	81201-KKC4-900	POWER BAR RR CARRIER	POWER BAR RR CARRIER	1	
	81202	81202-KKC4-900	UNBRELLALIKE CLASP	UNBRELLALIKE CLASP	4	
**	8120A	8120A-KKC4-900	CARRIER ASSY RR	CARRIER ASSY RR	1	
	81251	81251-KKC4-900	COVER CABB MAINT	COVER CABB MAINT	1	
	81257	81257-KKC4-800	COVER CABB MAINT	COVER CABB MAINT	1	
	81260	81260-KKC4-900	BOX ASSY LUGGAGE	BOX ASSY LUGGAGE	1	
**	81400	81400-KKC4-900	SIDE R GRIP	SIDE R GRIP	1	
**	81500	81500-KKC4-900	SIDE L GRIP	SIDE L GRIP	1	
**	83500	83500-KKC4-900	COVER R BODY	COVER R BODY	1	
**	83600	83600-KKC4-900	COVER L BODY	COVER L BODY	1	
**	83750	83750-KKC4-900	COVER RR CENTER	COVER RR CENTER	1	
	90105-KEC8	90105-KEC8-900	BOLT WASHER 8MM	BOLT WASHER 8MM	2	
	90105-KEN5	90105-KEN5-001	BOLT DISK 6*17	BOLT DISK 6*17	1	

F13

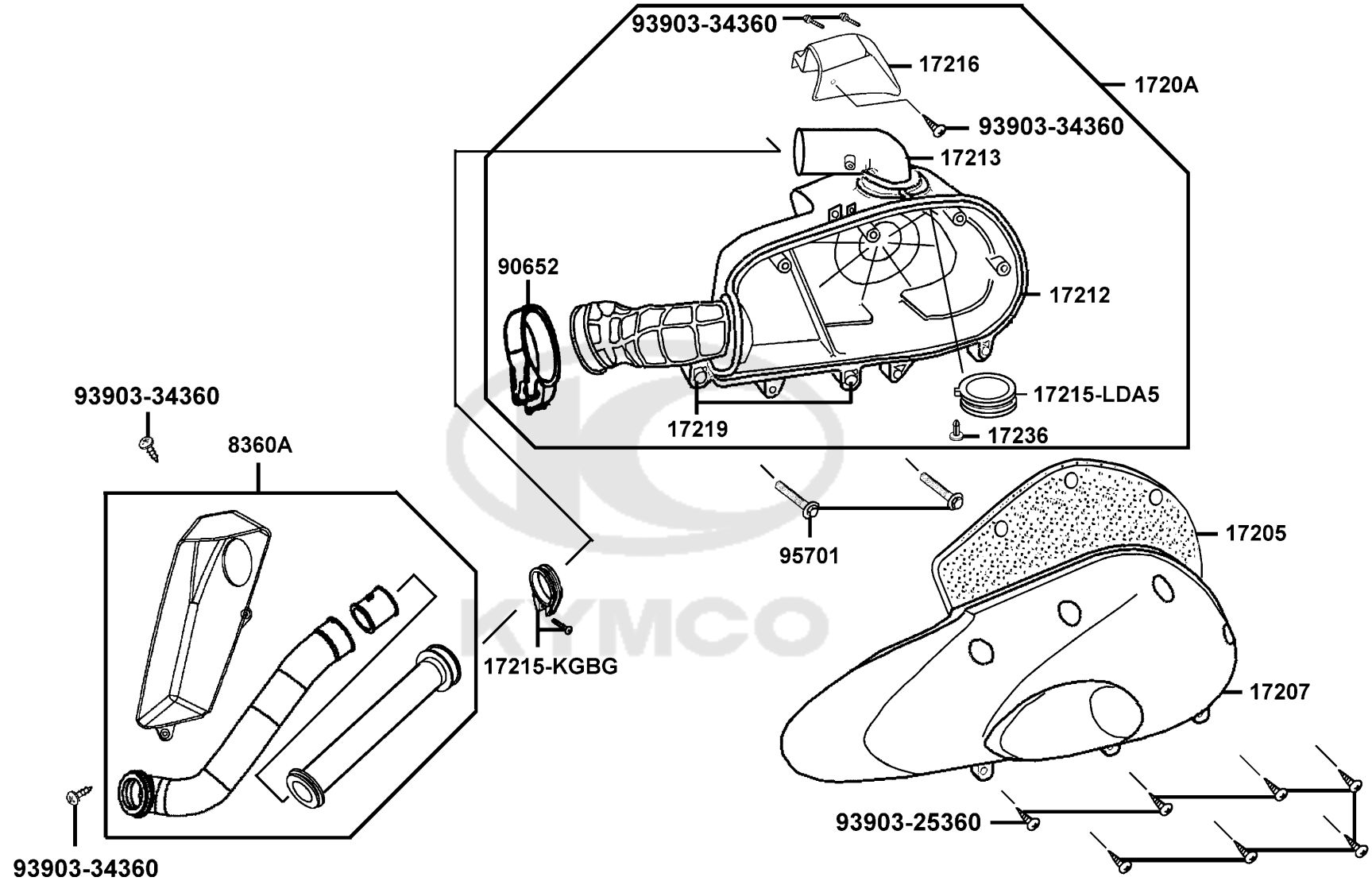
Body Cover Luggage Box



Sales mark	Ref no	Part no	Description	Reg description	Regd no	F13
90105-KNBN		90105-KNBN-901	BOLT SPECIAL 8MM	BOLT SPECIAL 8MM	4	
90106-KFC2		90106-KFC2-900	BOLT WASH 8MM	BOLT WASH 8MM	2	
90106-KKC4		90106-KKC4-900	BOLT WASH 8MM	BOLT WASH 8MM	2	
90111		90111-1G87-001	BOLT FLANGE 6*14	BOLT FLANGE 6*14	2	
90215		90215-KKC4-900	NUT CAP 6MM	NUT CAP 6MM	2	
90302-GFY6-940		90302-GFY6-940	BOLT WASHER 5*16	BOLT WASHER 5*16	2	
90302-SDA4-004		90302-SDA4-004	NUT SPRING 4MM	NUT SPRING 4MM	2	
90305		90305-GHK8-001	NUT CLIP 6MM	NUT CLIP 6MM	1	
90381		90381-GEZ5-001	SCREW SPECIAL 6*17	SCREW SPECIAL 6*17	2	
93500		93500-04012-0H	SCREW 4*12	SCREW 4*12	4	
93903-34360		93903-34360	SCREW TAPPING 4*12	SCREW TAPPING 4*12	6	
93903-35360		93903-35360	SCREW TAPPING 5*16	SCREW TAPPING 5*16	8	
93903-GFY6-900		93903-GFY6-900	SCREW TAPP 4*14	SCREW TAPP 4*14	2	
95701		95701-06012-08	BOLT FLANGE 6*12	BOLT FLANGE 6*12	2	

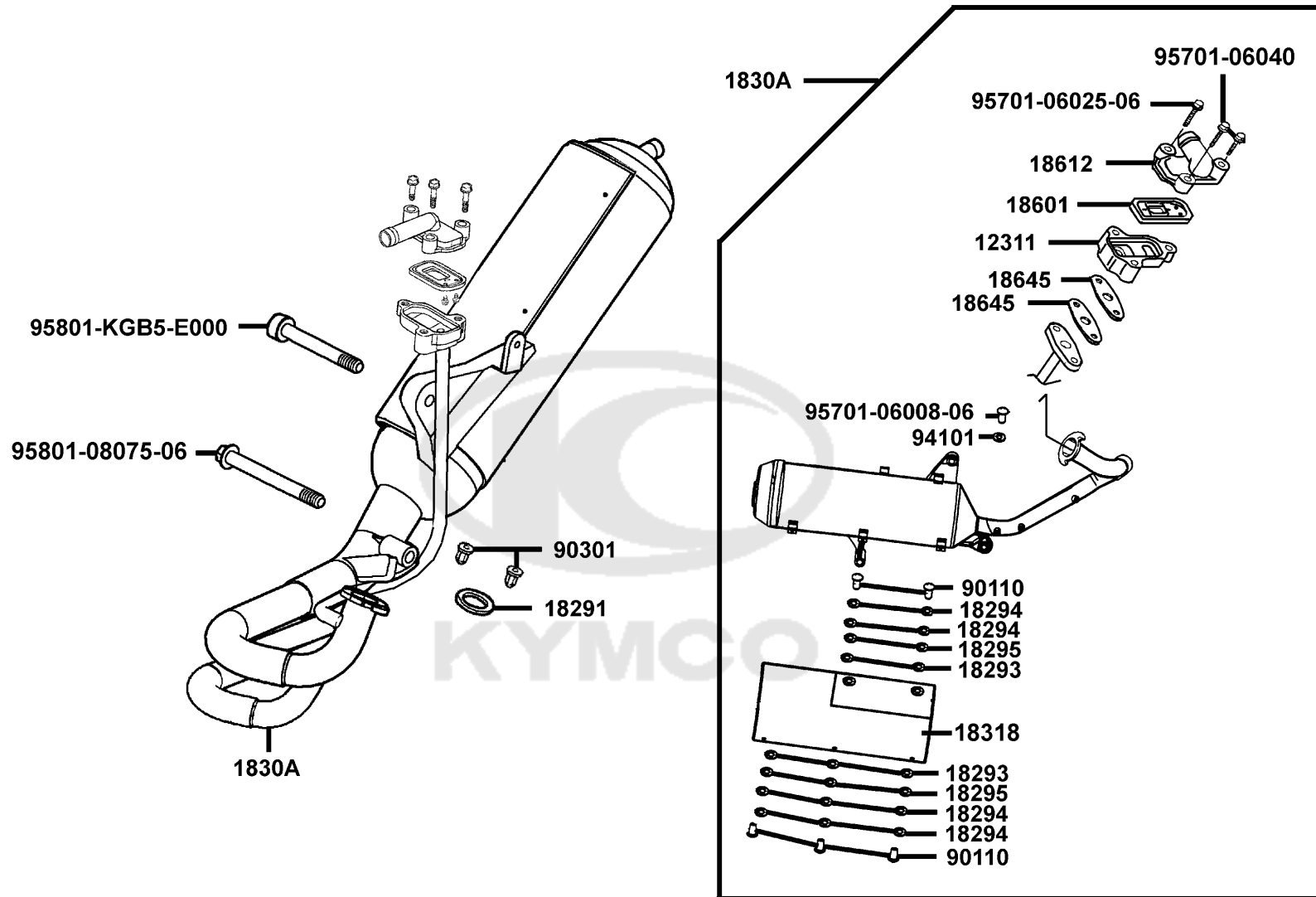
F14

Air Cleaner

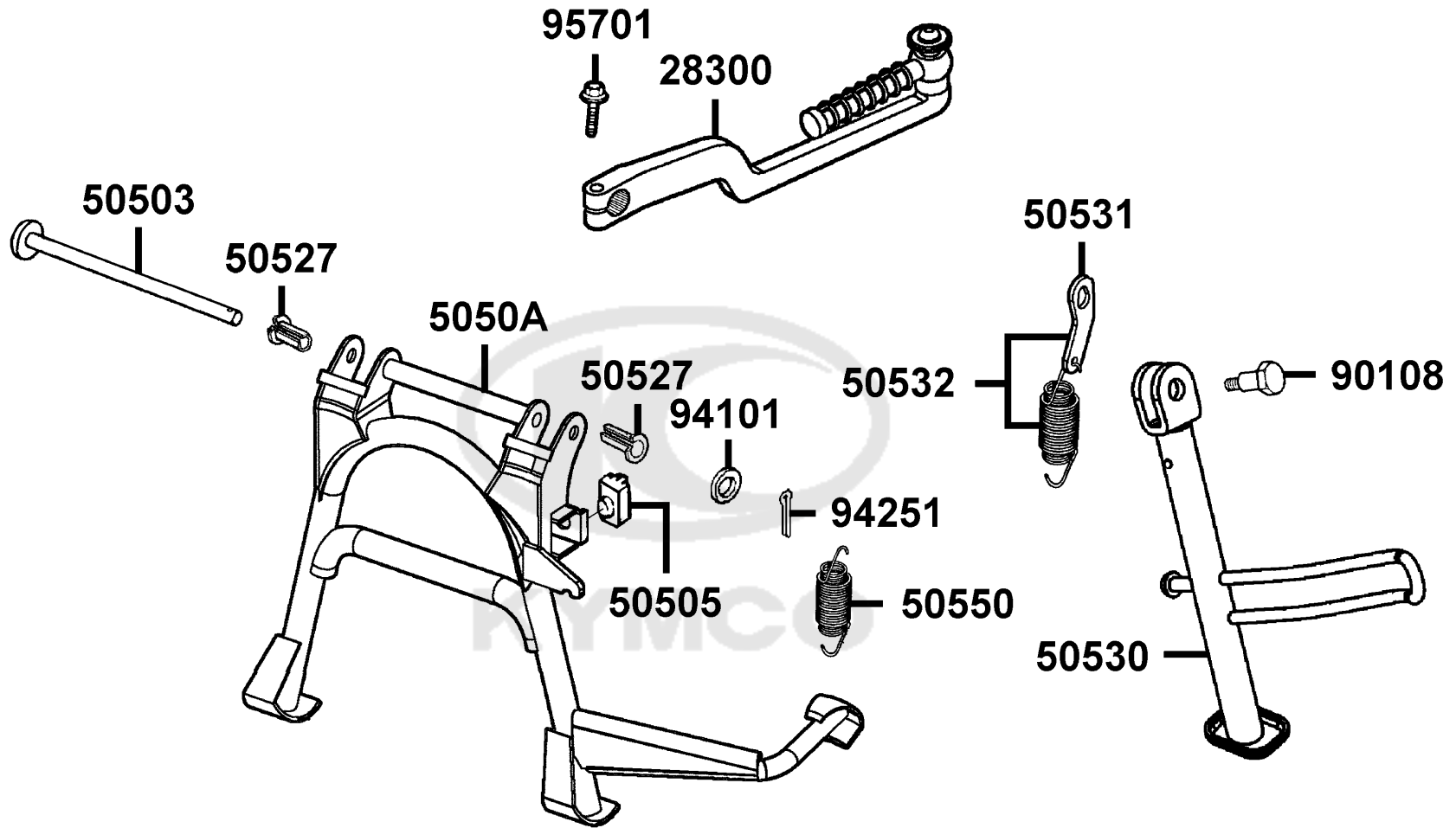




Sales mark	Ref no	Part no	Description	Reg description	Regd no	<b>F14</b>
17205		17205-KEB7-900	ELEMENT AIR/C	ELEMENT AIR/C	1	
17207		17207-KEB7-900	COVER AIR/C	COVER AIR/C	1	
1720A		1720A-LDA5-E00	CASE AIR/C	CASE AIR/C	1	
17212		17212-KEB7-900	SEAL AIR/C COVER	SEAL AIR/C COVER	1	
17213		17213-KEB7-900	DUCT AIR/C INLET	DUCT AIR/C INLET	1	
17215-KGBG		17215-KGBG-90A	CLIP ASSY AIR/C DUCT	CLIP ASSY AIR/C DUCT	1	
17215-LDA5		17215-LDA5-E00	RUBBER JOINT	RUBBER JOINT	1	
17216		17216-LDA5-E00	COVER JOINT	COVER JOINT	1	
17219		17219-LBD6-E00	COLLAR AIR/C SET	COLLAR AIR/C SET	2	
17236		17236-KFBF-910	PLATE	PLATE	1	
8360A		8360A-LDA5-E00	CHAMBER ASSY AIR/C	CHAMBER ASSY AIR/C	1	
90652		90652-KTCT-900	BAND 44 AIR/C CONN TUBE	BAND 44 AIR/C CONN TUBE	1	
93903-25360		93903-25360	SCREW TAPPING 5*16	SCREW TAPPING 5*16	7	
93903-34360		93903-34360	SCREW TAPPING 4*12	SCREW TAPPING 4*12	5	
95701		95701-06040-08	BOLT FLANGE 6*40	BOLT FLANGE 6*40	2	



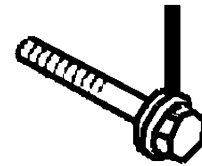
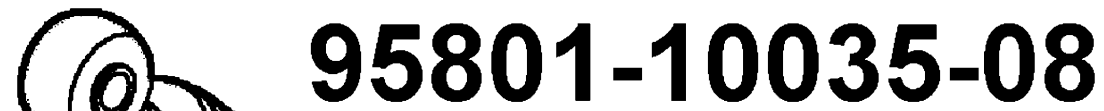
Sales mark	Ref no	Part no	Description	Reg description	Regd no	<b>F15</b>
12311		12311-KFB5-900	BODY REED VALVE	BODY REED VALVE	1	
18291		18291-LBA7-900	GASKET EXH PIPE	GASKET EXH PIPE	1	
18293		18293-KECE-900	RUBBER A PROTECTOR	RUBBER A PROTECTOR	5	
18294		18294-KEBE-900	PACKING PROTECTOR	PACKING PROTECTOR	10	
18295		18295-KECE-900	COLLAR 6MM	COLLAR 6MM	5	
1830A		1830A-LDA5-E01	MUFFLER ASSY EXH	MUFFLER ASSY EXH	1	
18318		18318-KKC1-E00	PROTECTOR MUFFLER	PROTECTOR MUFFLER	1	
18601		18601-KFB5-900	VALVE COMP REED	VALVE COMP REED	1	
18612		18612-KFB5-900	COVER REED VALVE	COVER REED VALVE	1	
18645		18645-KGB5-EZ0	GASKET A/I PIPE	GASKET A/I PIPE	2	
90110		90110-KHD8-900	SCREW SPECIAL 6*20	SCREW SPECIAL 6*20	5	
90301		90301-KGBG-900	NUT CAP 6MM	NUT CAP 6MM	2	
94101		94101-06700	WASHER PLAIN 6MM	WASHER PLAIN 6MM	1	
95701-06008-06		95701-06008-06	BOLT FLANGE 6*8	BOLT FLANGE 6*8	1	
95701-06025-06		95701-06025-06	BOLT FLANGE 6*25	BOLT FLANGE 6*25	1	
95701-06040-08		95701-06040-08	BOLT FLANGE 6*40	BOLT FLANGE 6*40	2	
95801-08075-06		95801-08075-06	BOLT FLANGE 8*75	BOLT FLANGE 8*75	1	
95801-KGB5-E000		95801-KGB5-E00	BOLT FLANGE 8*60	BOLT FLANGE 8*60	1	



Sales mark	Ref no	Part no	Description	Reg description	Regd no	F16
28300		28300-KGB5-900	ARM ASSY KICK STARTER	ARM ASSY KICK STARTER	1	
50503		50503-KEB7-900	SHAFT MAIN STAND	SHAFT MAIN STAND	1	
50505		50505-KEBE-900	STOPPER RUBBER	STOPPER RUBBER	1	
5050A		5050A-LDA5-E00	STAND ASSY MAIN	STAND ASSY MAIN	1	
50527		50527-KED5-900	BUSH OILES	BUSH OILES	2	
50530		50530-KKC4-E00	BAR SIDE STAND	BAR SIDE STAND	1	
50531		50531-KEB7-E00	PLATE SPRING STOPPER	PLATE SPRING STOPPER	1	
50532		50532-KGBG-E00	SPRING COMP SIDE STAND	SPRING COMP SIDE STAND	1	
50550		50550-KEB7-E00	SPG ASSY MAIN STAND	SPG ASSY MAIN STAND	1	
90108		90108-KFC8-E00	SCREW SIDE STAND PIVOT	SCREW SIDE STAND PIVOT	1	
94101		94101-08600	WASH PLAIN 8MM	WASH PLAIN 8MM	1	
94251		94251-08400	PIN LOCK 8MM	PIN LOCK 8MM	1	
95701		95701-06022-02	BOLT FLANGE 6*22	BOLT FLANGE 6*22	1	

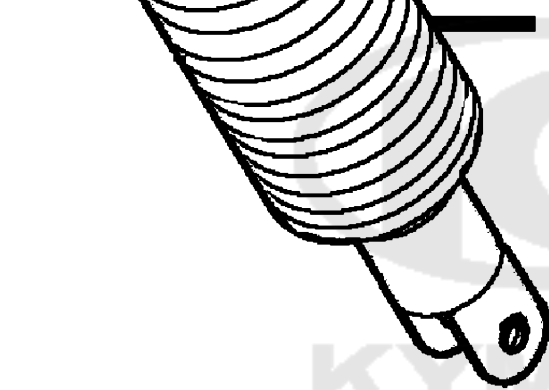
F17

Rear Cushion



52400

A horizontal line points from the part number 52400 to the main rear cushion assembly.

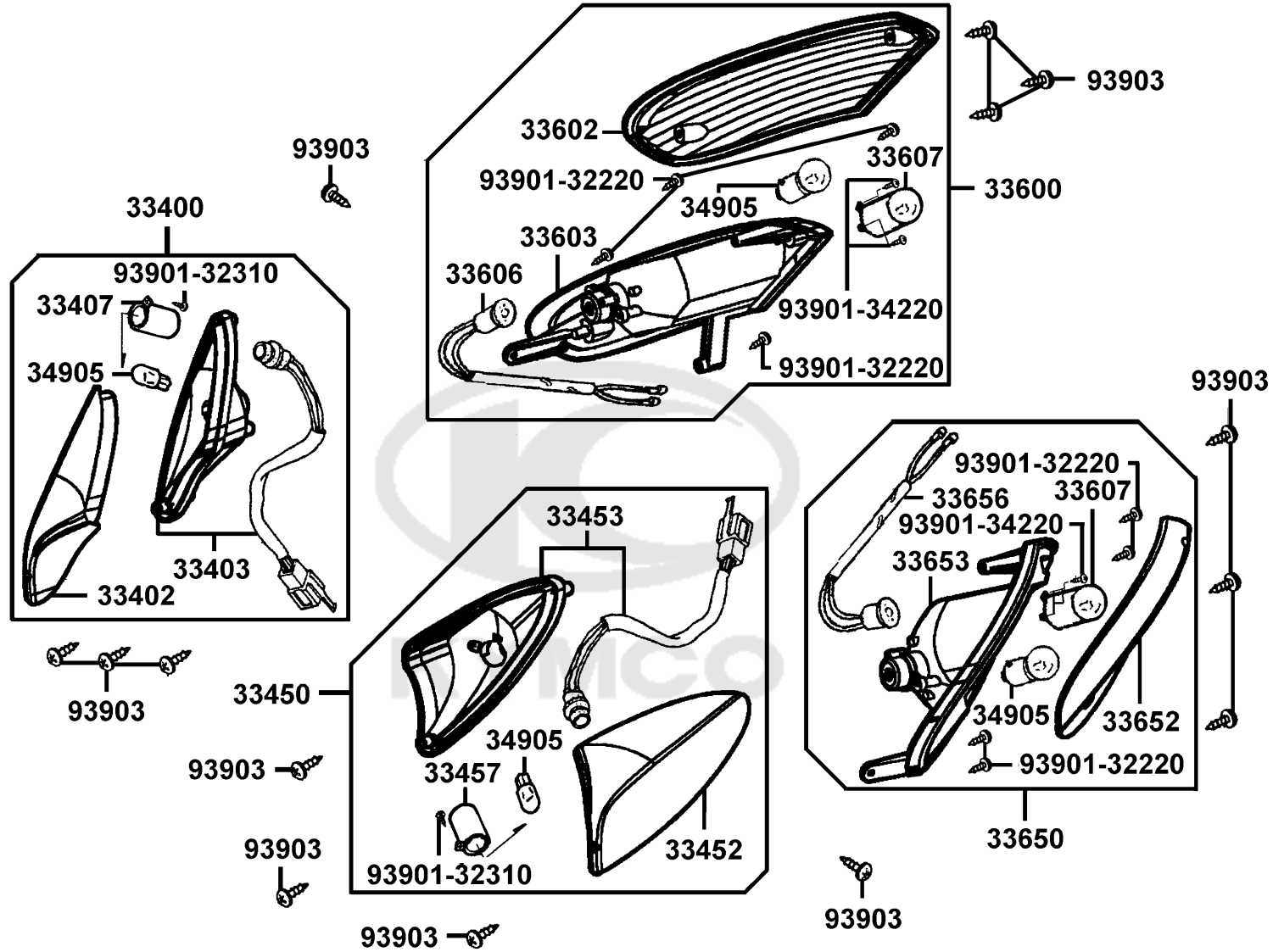


95701-08030-08

Sales mark	Ref no	Part no	Description	Reg description	Regd no	F17
------------	--------	---------	-------------	-----------------	---------	-----

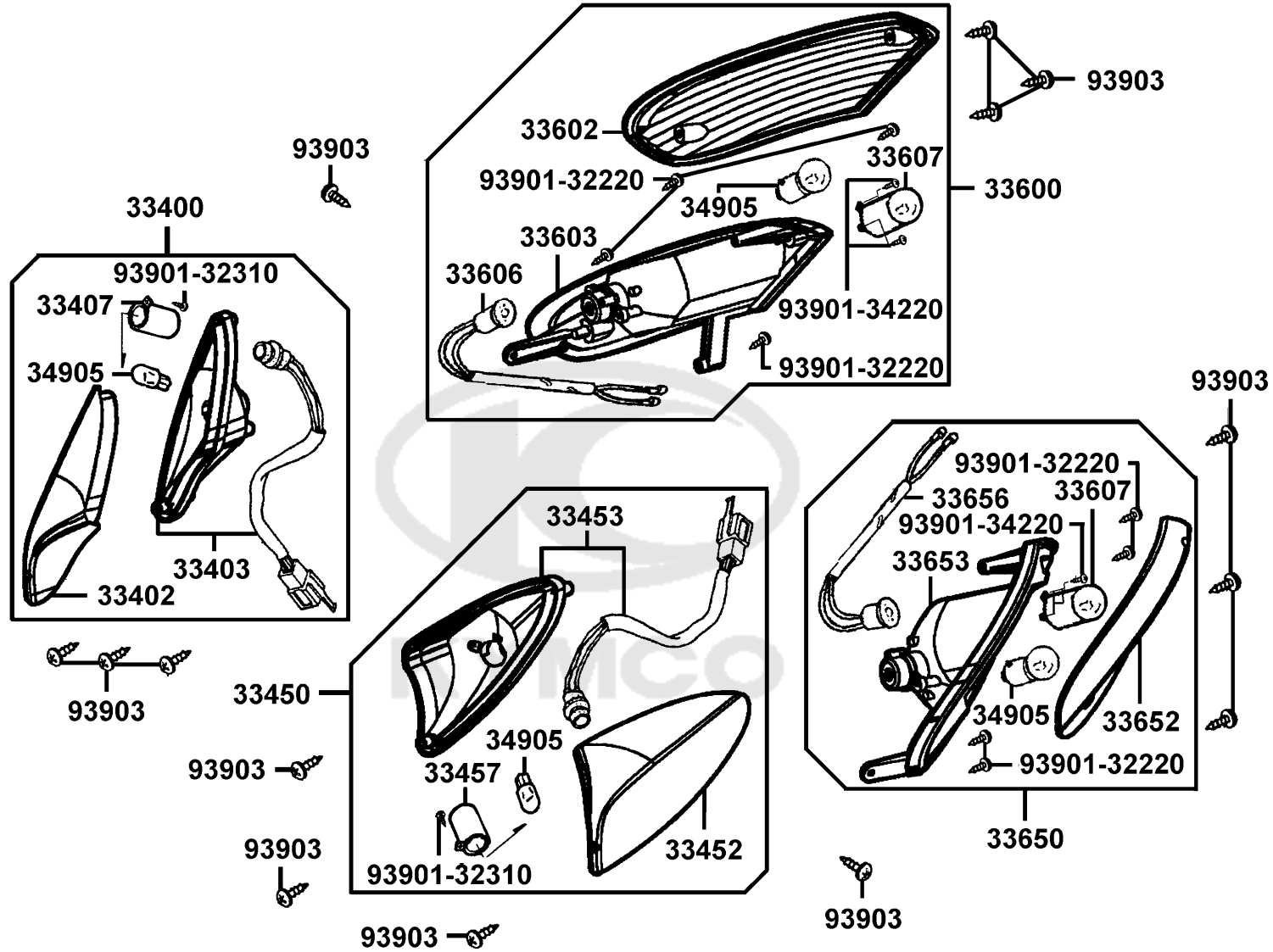
**	52400	52400-LBD5-E00	CUSHION ASSY RR	CUSHION ASSY RR	1	
	95701-08030-08	95701-08030-08	BOLT FLANGE 8*30	BOLT FLANGE 8*30	1	
	95801-10035-08	95801-10035-08	BOLT FLANGE 10*35	BOLT FLANGE 10*35	1	







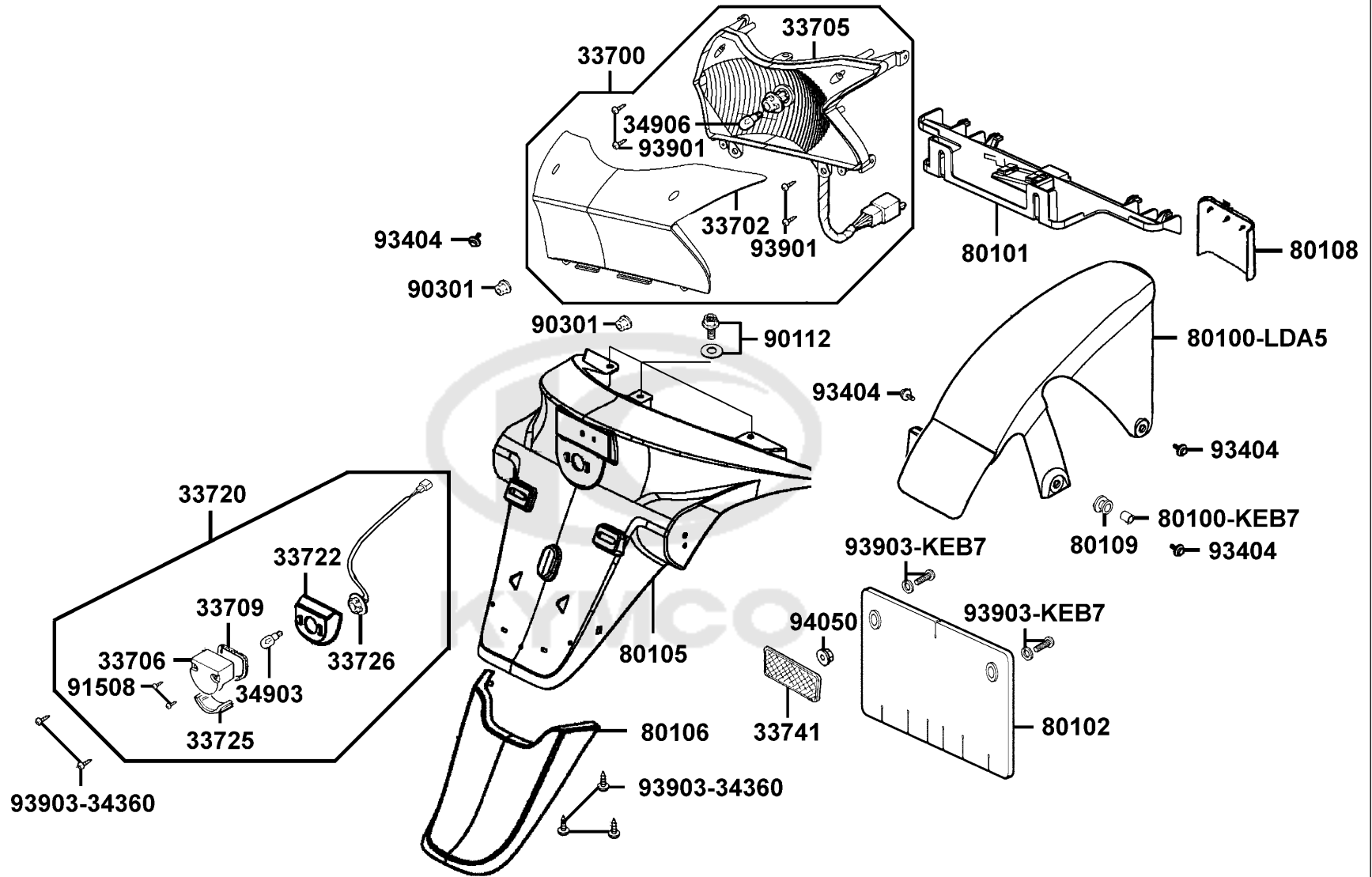
Sales mark	Ref no	Part no	Description	Reg description	Regd no	F18
33400		33400-KKC4-E00	WINKER ASSY R FR	WINKER ASSY R FR	1	
33402		33402-KKC4-E00	LENS FR WINKER R	LENS FR WINKER R	1	
33403		33403-KKC4-E00	BASE COMP R FR WINKER	BASE COMP R FR WINKER	1	
33407		33407-KKC4-E00	INNER LENS WINKER R	INNER LENS WINKER R	1	
33450		33450-KKC4-E00	WINKER ASSY L FR	WINKER ASSY L FR	1	
33452		33452-KKC4-E00	LENS L FR WINKER	LENS L FR WINKER	1	
33453		33453-KKC4-E00	BASE COMP L FR WINKER	BASE COMP L FR WINKER	1	
33457		33457-KKC4-E00	INNER LENS WINKER L	INNER LENS WINKER L	1	
33600		33600-KKC4-E00	WINKER ASSY R RR	WINKER ASSY R RR	1	
33602		33602-KKC4-E00	LENS R RR WINKER	LENS R RR WINKER	1	
33603		33603-KKC4-E00	BASE R RR WINKER	BASE R RR WINKER	1	
33606		33606-KKC4-E00	SOCKET COMP R RR WINKER	SOCKET COMP R RR WINKER	1	
33607		33607-KKD7-E00	INNER LENS WINKER	INNER LENS WINKER	2	
33650		33650-KKC4-E00	WINKER ASSY L RR	WINKER ASSY L RR	1	
33652		33652-KKC4-E00	LENS L RR WINKER	LENS L RR WINKER	1	
33653		33653-KKC4-E00	BASE L RR WINKER	BASE L RR WINKER	1	
33656		33656-KKC4-E00	SOCKET COMP R/L RR WINKER	SOCKET COMP R/L RR WINKER	1	
34905		34905-KPCP-900	BLUB WINKER 12V10W	BLUB WINKER 12V10W	4	
93901-32220		93901-32220	SCREW TAPPING 3*10	SCREW TAPPING 3*10	8	
93901-32310		93901-32310	SCREW TAPPING 3*12	SCREW TAPPING 3*12	2	



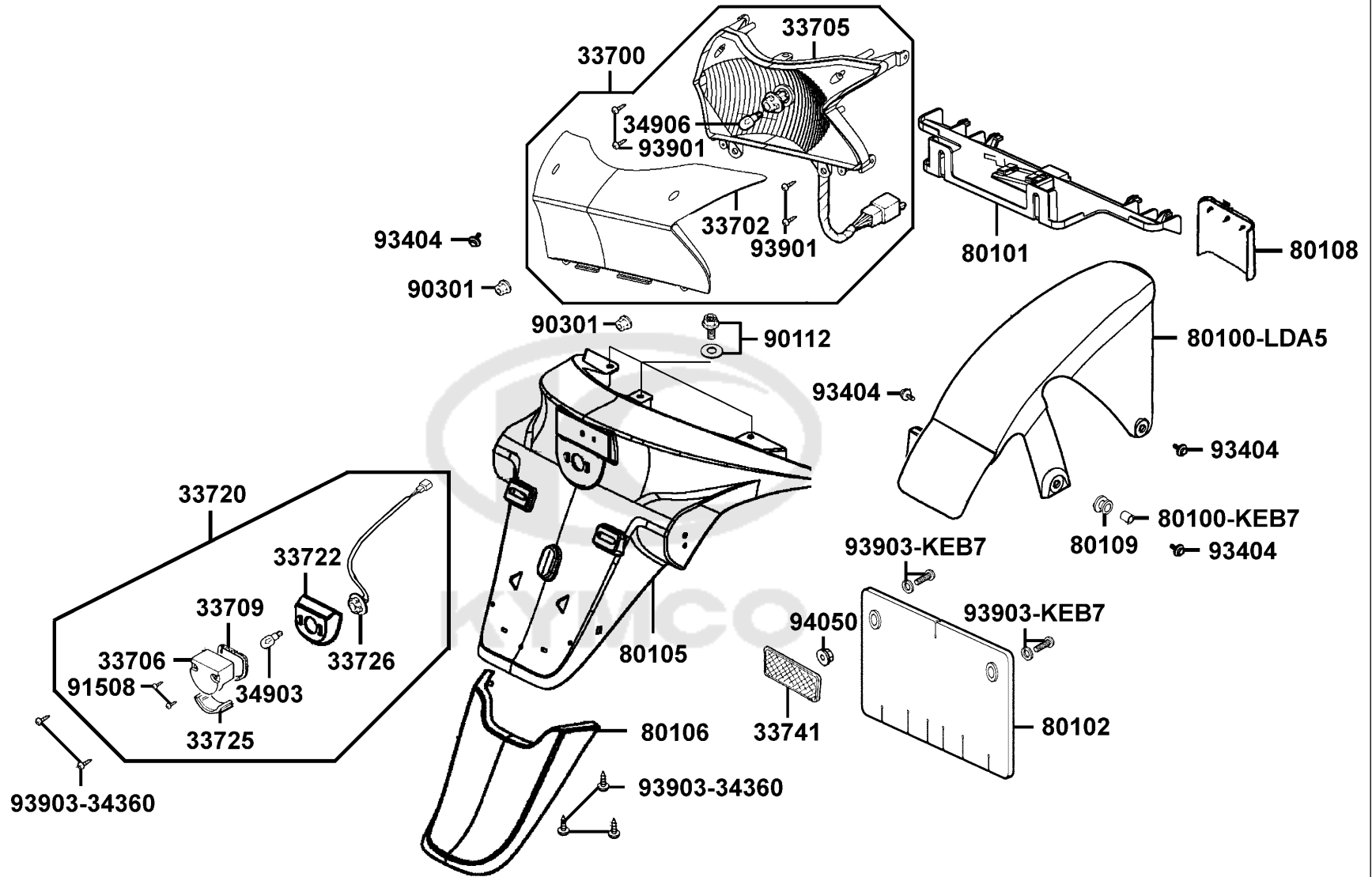
Sales mark	Ref no	Part no	Description	Reg description	Regd no	<b>F18</b>
------------	--------	---------	-------------	-----------------	---------	------------

93901-34220		93901-34220	SCREW TAPPING 4*10	SCREW TAPPING 4*10	4	
93903		93903-34360	SCREW TAPPING 4*12	SCREW TAPPING 4*12	14	



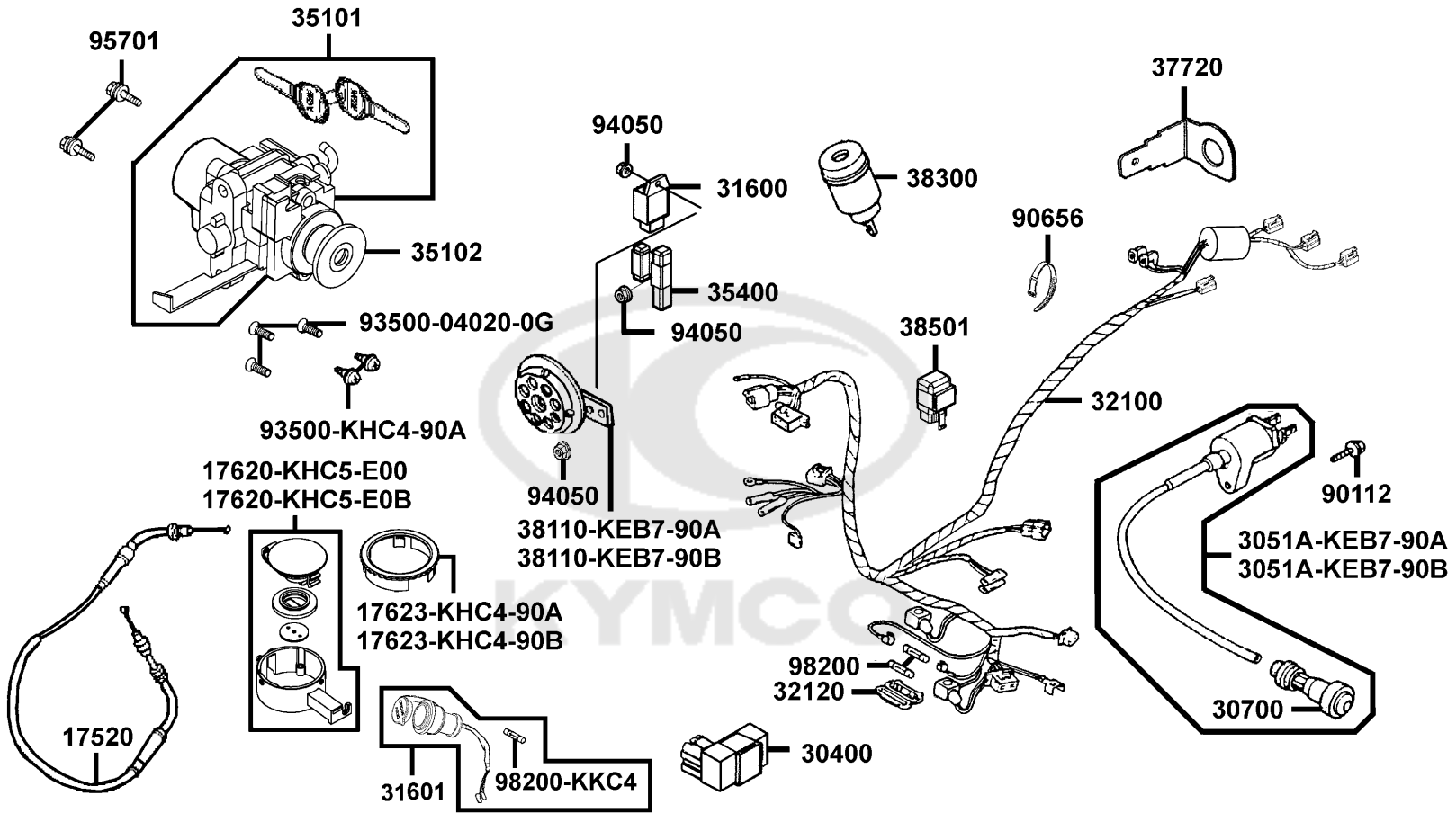


Sales mark	Ref no	Part no	Description	Reg description	Regd no	<b>F19</b>
33700		33700-KKC4-E00	LIGHT ASSY RR COMB	LIGHT ASSY RR COMB	1	
33702		33702-KKC4-E00	LENS TAIL LIGHT	LENS TAIL LIGHT	1	
33705		33705-KKC4-E00	BASE COMP TAIL LIGHT	BASE COMP TAIL LIGHT	1	
33706		33706-KHB4-E01	COVER LICENSE	COVER LICENSE	1	
33709		33709-KBAB-003	PACKING LICENSE	PACKING LICENSE	1	
33720		33720-KHB4-E00	LIGHT ASSY LICENSE	LIGHT ASSY LICENSE	1	
33722		33722-KHB4-E00	BASE LICENSE	BASE LICENSE	1	
33725		33725-KHB4-E00	LENS LICENSE	LENS LICENSE	1	
33726		33726-KHB4-E00	SCOKET COMP	SCOKET COMP	1	
33741		33741-KEBE-900	REFLEX REFLECTOR	REFLEX REFLECTOR	1	
34903		34903-KPCP-900	BULB POSITION	BULB POSITION	1	
34906		34906-KPCP-900	BULB TAIL & STOP 12V21W/5W	BULB TAIL & STOP 12V21W/5W	1	
80100-KEB7		80100-KEB7-900	COLLAR RUBBER	COLLAR RUBBER	1	
80100-LDA5		80100-LDA5-E00	FENDER RR TIRE	FENDER RR TIRE	1	
80101		80101-KKC4-900	FENDER RR UP	FENDER RR UP	1	
80102		80102-KKC4-900	PLATE C SPLASH GUARD	PLATE C SPLASH GUARD	1	
80105		80105-KKC4-900	FENDER RR	FENDER RR	1	
80106		80106-KKC4-900	FENDER B RR	FENDER B RR	1	
80108		80108-KEB7-900	PLATE SPLASH GUARD	PLATE SPLASH GUARD	1	
80109		80109-KEB7-900	RUBBER RR FENDER B	RUBBER RR FENDER B	1	



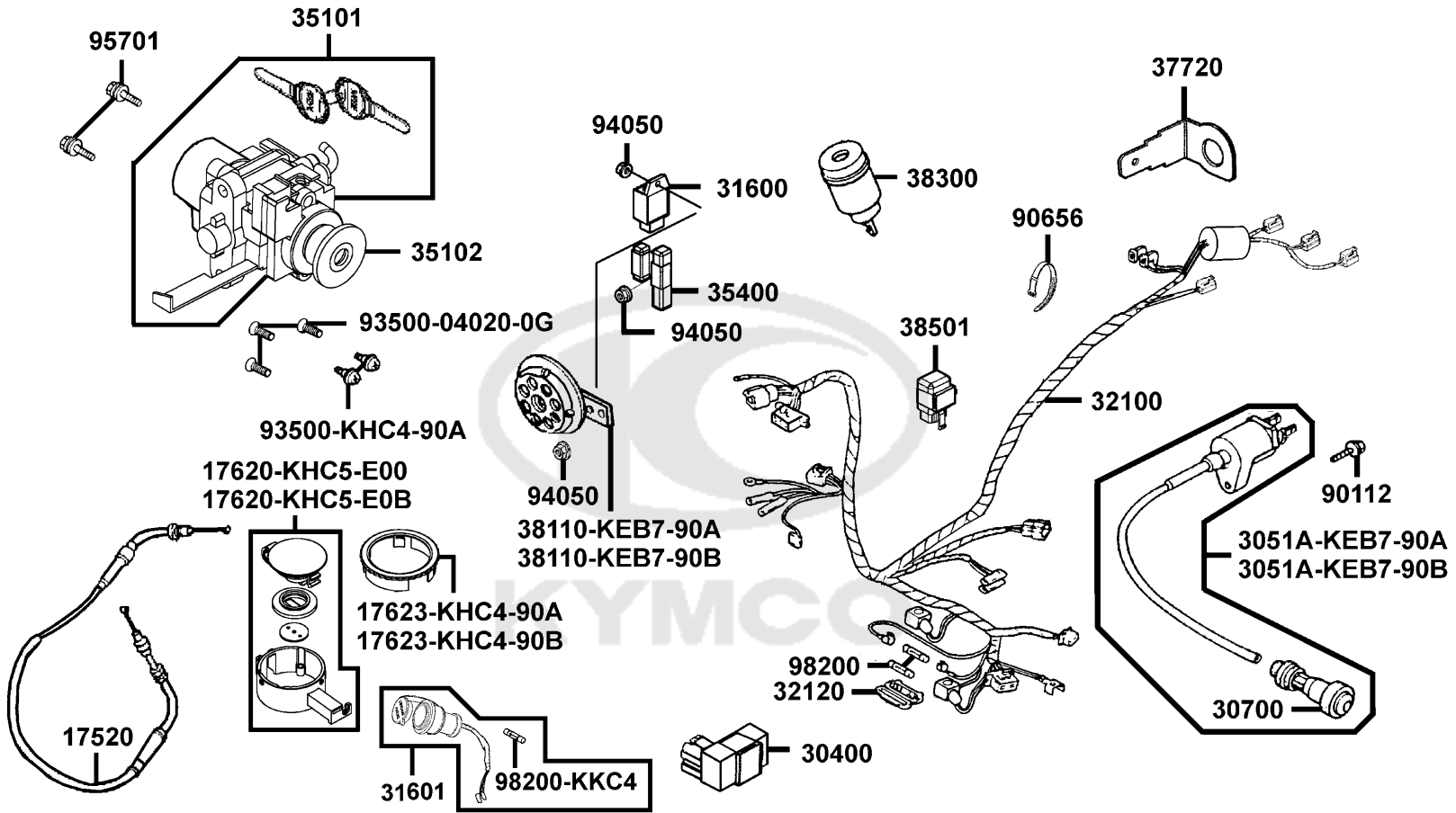
Sales mark	Ref no	Part no	Description	Reg description	Regd no	<b>F19</b>
90112		90112-KNBN-901	BOLT FLANGE 6MM	BOLT FLANGE 6MM	3	
90301		90301-6D34-671	NUT FLANGE 6MM	NUT FLANGE 6MM	2	
91508		91508-KGV7-67A	SCREW TAPPING 4*14	SCREW TAPPING 4*14	2	
93404		93404-06016-06	BOLT WASHER 6*16	BOLT WASHER 6*16	4	
93901		93901-34320	SCREW TAPPING 4*12	SCREW TAPPING 4*12	4	
93903-34360		93903-34360	SCREW TAPPING 4*12	SCREW TAPPING 4*12	5	
93903-KEB7		93903-KEB7-900-06	SCREW WASHER 4MM	SCREW WASHER 4MM	2	
94050		94050-05080	NUT FLANGE 5MM	NUT FLANGE 5MM	1	



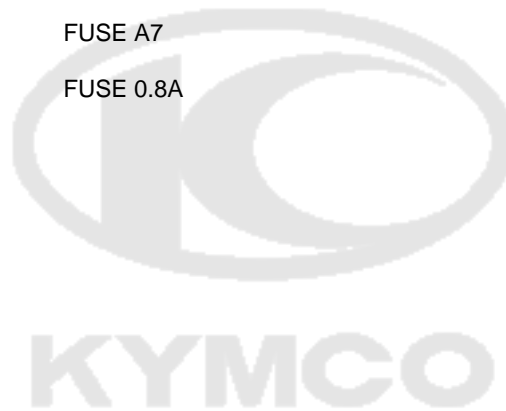




Sales mark	Ref no	Part no	Description	Reg description	Regd no	F20
	17520	17520-KKC4-900	CABLE COMP FUEL CAP	CABLE COMP FUEL CAP	1	
	17620-KHC5-E00	17620-KHC5-E00	CAP COMP FUEL FILLER	CAP COMP FUEL FILLER	1	
	17620-KHC5-E0B	17620-KHC5-E0B	CAP COMP FUEL FILLER	CAP COMP FUEL FILLER	1	
	17623-KHC4-90A	17623-KHC4-90A	COLLAR FUEL CAP	COLLAR FUEL CAP	1	
	17623-KHC4-90B	17623-KHC4-90B	COLLAR FUEL CAP	COLLAR FUEL CAP	1	
	30400	30400-LDA5-E0A	UNIT ASSY CDI	UNIT ASSY CDI	1	
	3051A-KEB7-90A	3051A-KEB7-90A	COIL ASSY IGN	COIL ASSY IGN	1	
	3051A-KEB7-90B	3051A-KEB7-90B	COIL ASSY IGN	COIL ASSY IGN	1	
	30700	30700-KNBN-901	CAP ASSY NOISE SUPPR	CAP ASSY NOISE SUPPR	1	
	31600	31600-KUDU-900	REG REC COMP	REG REC COMP	1	
	31601	31601-LBA2-E00	SOCKET COMP DC 12V	SOCKET COMP DC 12V	1	
	32100	32100-LDA5-E00	HARNESS WIRE	HARNESS WIRE	1	
	32120	32120-1E55-001	CASE FUSE	CASE FUSE	1	
	35101	35101-KKC2-325	SW SET COMB & LOCK	SW SET COMB & LOCK	1	
	35102	35102-KHC4-900	COLLAR MAIN SWITCH	COLLAR MAIN SWITCH	1	
	35400	35400-KNBN-920	RESISTOR COMP/2ND	RESISTOR COMP/2ND	1	
	37720	37720-KGBG-E00	EARTH TERMINAL HEATER	EARTH TERMINAL HEATER	1	
	38110-KEB7-90A	38110-KEB7-90A	HORN COMP	HORN COMP	1	
	38110-KEB7-90B	38110-KEB7-90B	HORN COMP	HORN COMP	1	
	38300	38300-KECE-900	RELAY ASSY WINKER	RELAY ASSY WINKER	1	

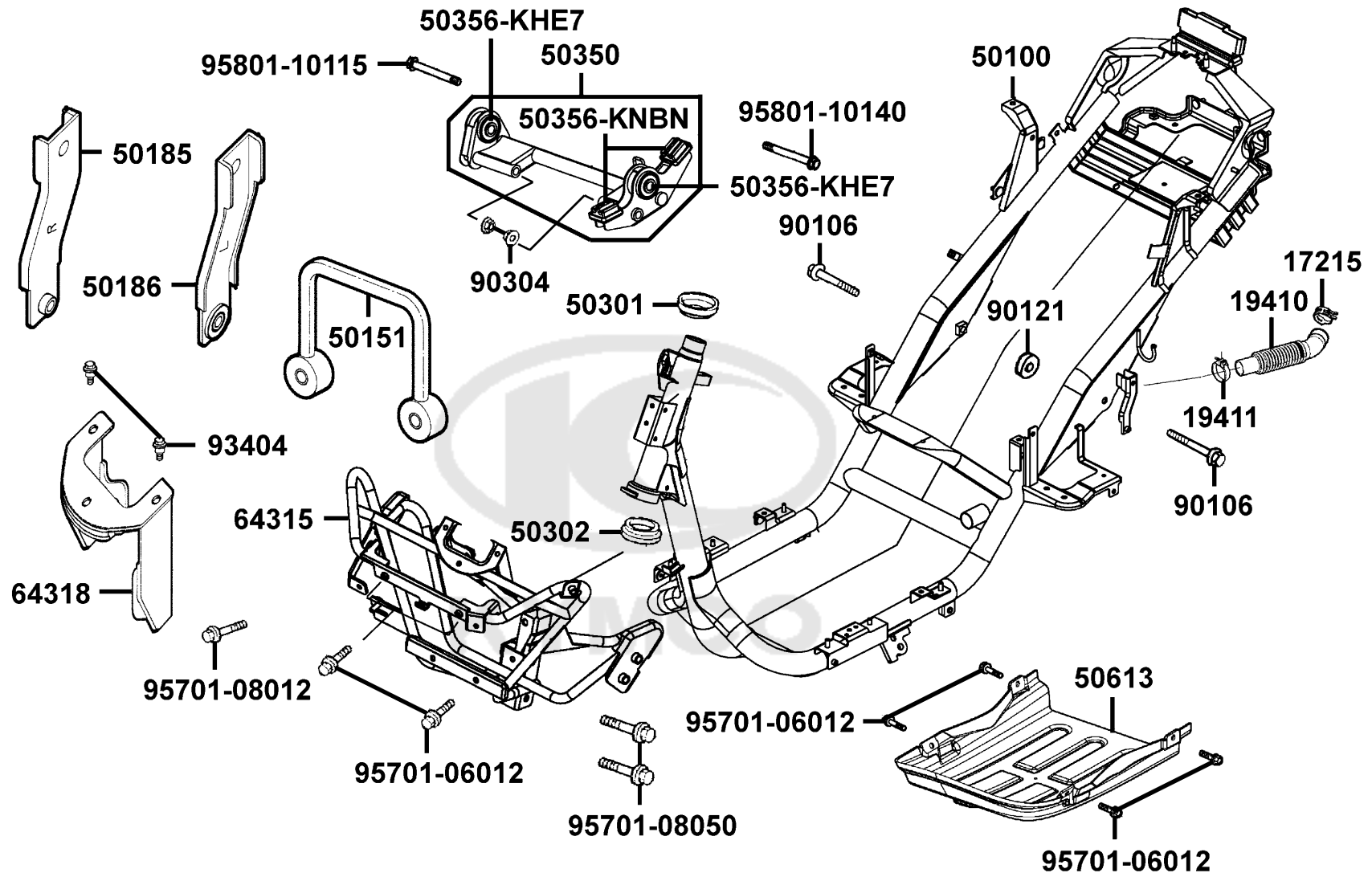


Sales mark	Ref no	Part no	Description	Reg description	Regd no	<b>F20</b>
	38501	38501-GBW2-902	RELAY COMP START	RELAY COMP START	1	
	90112	90112-KRDR-900	BOLT FLANGE 5*22	BOLT FLANGE 5*22	1	
**	90656	90656-KUDU-900	BAND HARNESS WIRE	BAND HARNESS WIRE	1	
	93500-04020-0G	93500-04020-0G	SCREW PAN 4*20	SCREW PAN 4*20	3	
	93500-KHC4-90A	93500-KHC4-90A	SCREW PAN 5*10	SCREW PAN 5*10	2	
	94050	94050-06080	NUT FLANGE 6MM	NUT FLANGE 6MM	3	
	95701	95701-KHC5-E00	BOLT TORQUE 8*25	BOLT TORQUE 8*25	2	
	98200	98200-10700	FUSE A7	FUSE A7	2	
	98200-KKC4	98200-KKC4-900	FUSE 0.8A	FUSE 0.8A	1	



F21

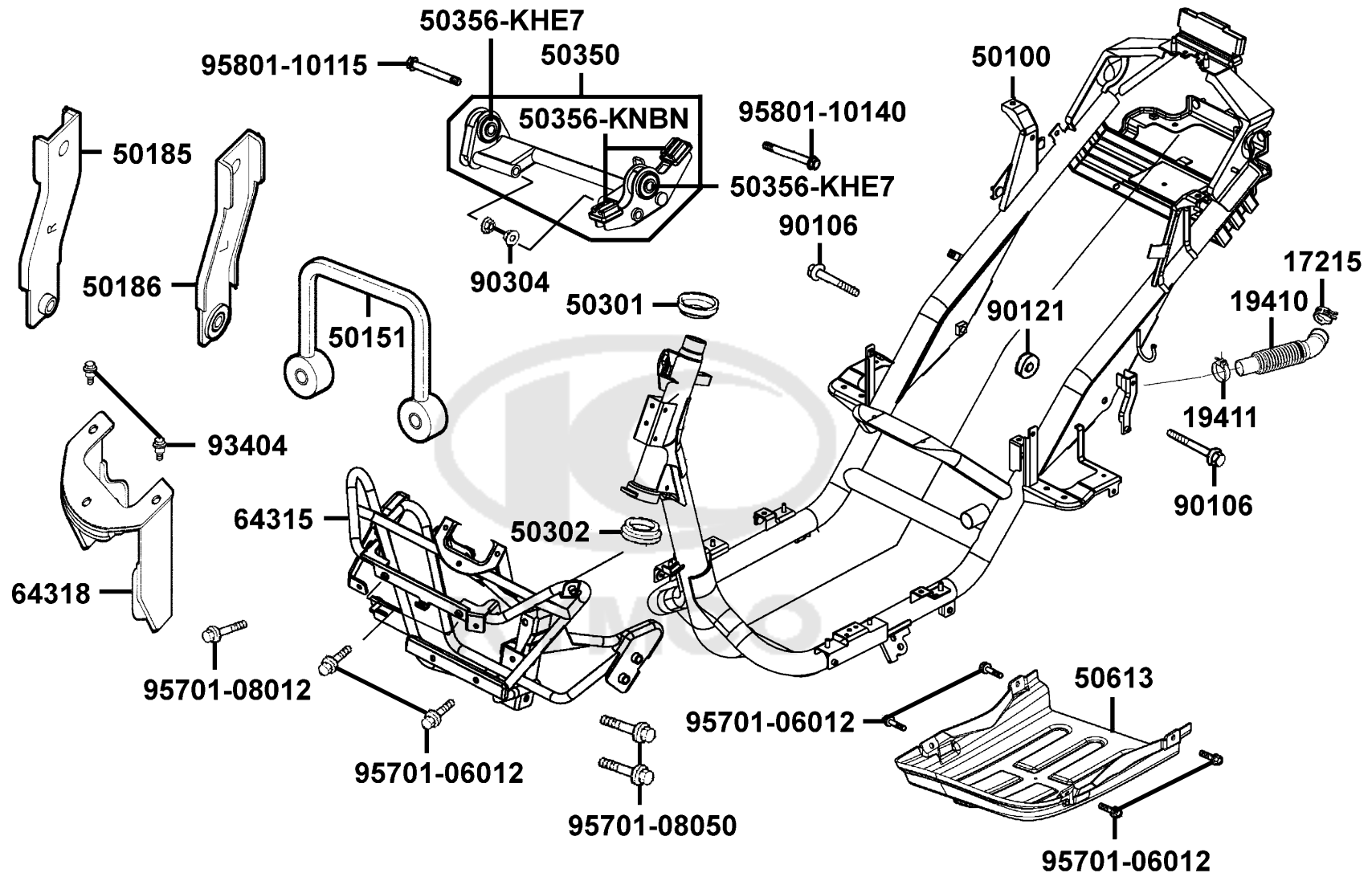
Frame Body



Sales mark	Ref no	Part no	Description	Reg description	Regd no	F21
17215		17215-KNBN-200	CLIP ASSY AIR/C DUCT	CLIP ASSY AIR/C DUCT	1	
19410		19410-KEB7-900	DUCT COLLING	DUCT COLLING	1	
19411		19411-KNBN-900	CLIP HOSE	CLIP HOSE	1	
50100		50100-LDA5-E00	BODY COMP FRAME	BODY COMP FRAME	1	
50151		50151-KKC4-900	HOOK CARRIER	HOOK CARRIER	1	
50185		50185-KKC4-900	STAY R BODY COVER	STAY R BODY COVER	1	
50186		50186-KKC4-900	STAY L BODY COVER	STAY L BODY COVER	1	
50301		50301-KGN7-671	RACE UP STRG BALL	RACE UP STRG BALL	1	
50302		50302-2H68-011	RACE (STRG BOT) BALL	RACE (STRG BOT) BALL	1	
50350		50350-LDA5-E00	HANGER ASSY ENG	HANGER ASSY ENG	1	
50356-KHE7		50356-KHE7-E00	BUSH SWING LOCK	BUSH SWING LOCK	2	
50356-KNBN		50356-KNBN-200	RUBBER C STOPPER	RUBBER C STOPPER	2	
50613		50613-KKC4-900	COVER UNDER	COVER UNDER	1	
64315		64315-LDA5-E00	STAY FR COVER	STAY FR COVER	1	
64318		64318-KKC4-900	STAY METER	STAY METER	1	
90106		90106-KHE7-E00	BOLT FLANGE 12*59	BOLT FLANGE 12*59	2	
90121		90121-KHE7-E00	COLLAR DISTANCE	COLLAR DISTANCE	1	
90304		90304-GHE8-004	NUT U 10MM	NUT U 10MM	2	
93404		93404-06016-06	BOLT WASHER 6*16	BOLT WASHER 6*16	2	
95701-06012		95701-06012-08	BOLT FLANGE 6*12	BOLT FLANGE 6*12	6	

F21

Frame Body

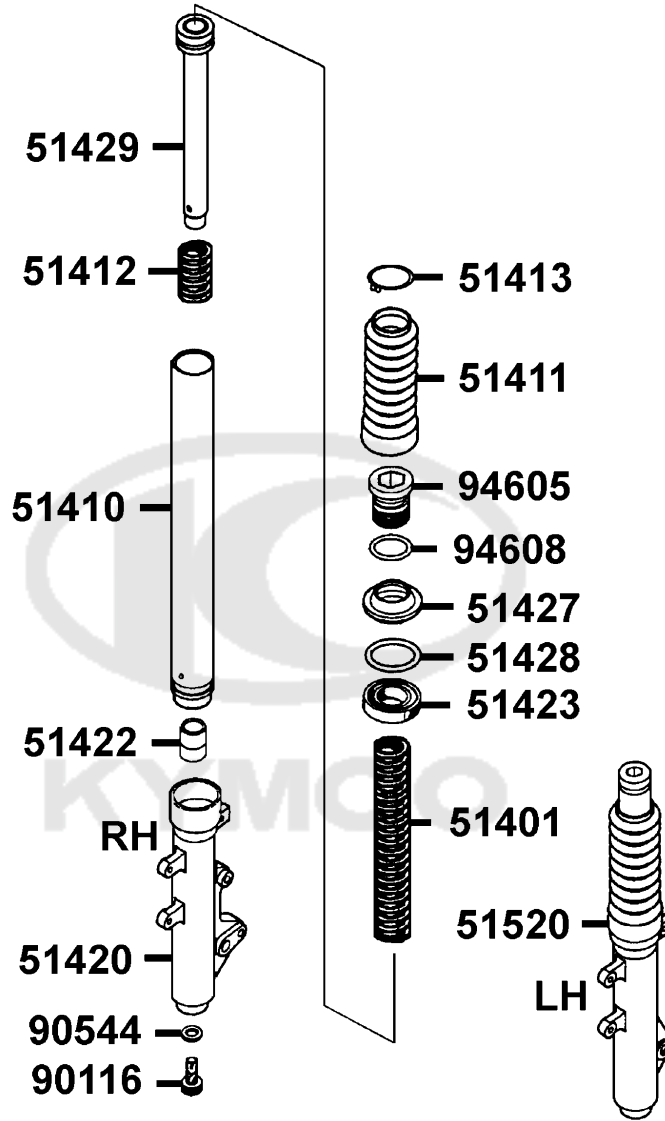


Sales mark	Ref no	Part no	Description	Reg description	Regd no	<b>F21</b>
------------	--------	---------	-------------	-----------------	---------	------------

95701-08012		95701-08012-08	BOLT FLANGE 8X12	BOLT FLANGE 8X12	1	
95701-08050		95701-08050-08	BOLT FLANGE 8*50	BOLT FLANGE 8*50	2	
95801-10115		95801-10115-06	BOLT FLANGE 10*115	BOLT FLANGE 10*115	1	
95801-10140		95801-10140-08	BOLT FLANGE 10*140	BOLT FLANGE 10*140	1	

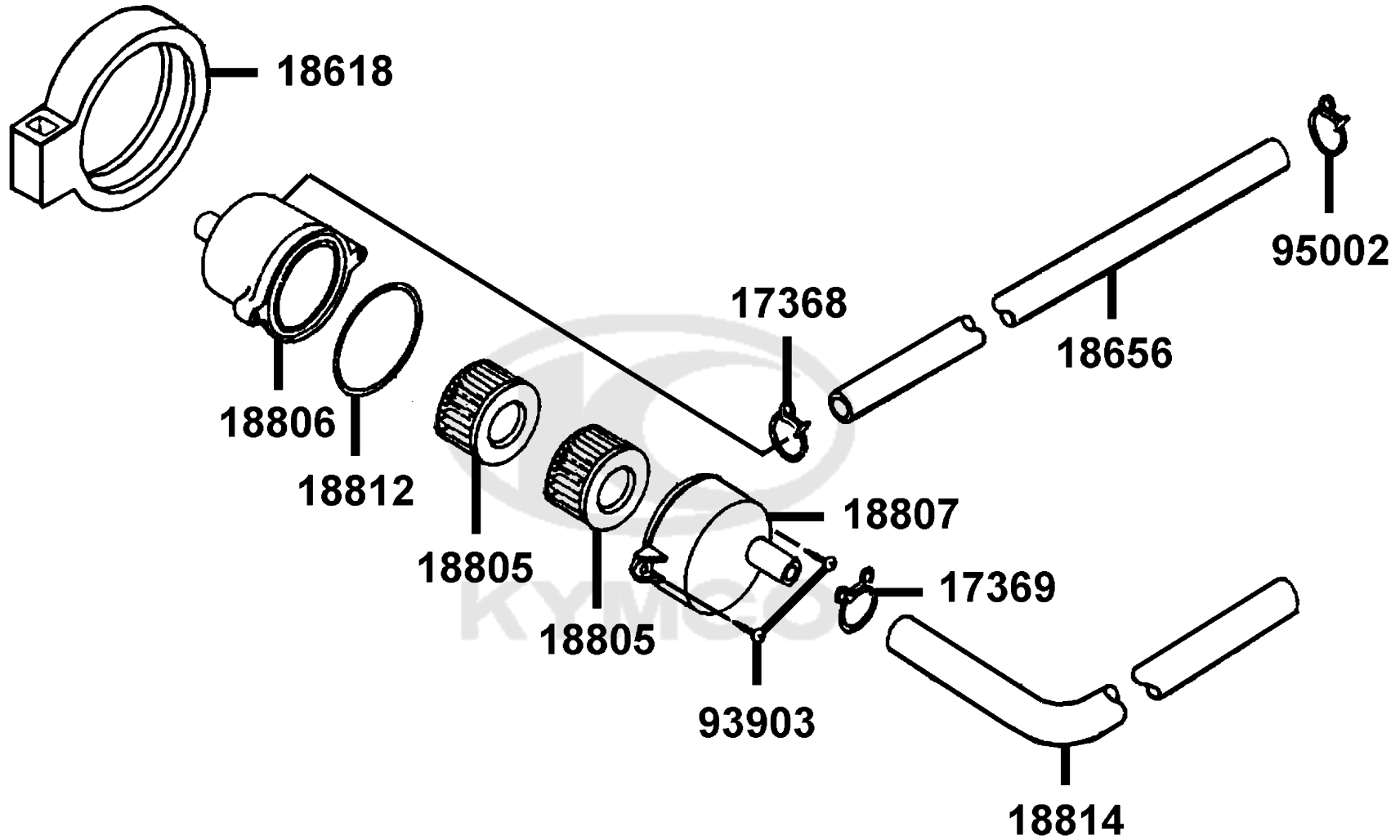


Separated Parts Of Fr Fork

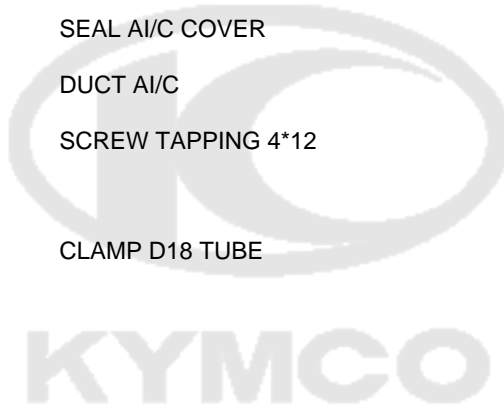




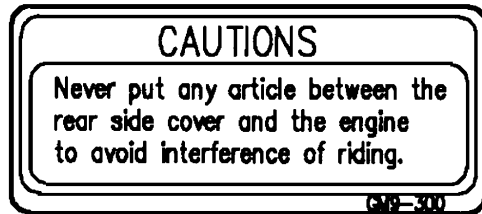
Sales mark	Ref no	Part no	Description	Reg description	Regd no	F22
	51401	51401-KHD8-900	SPRING	SPRING	2	
	51410	51410-KHD8-900	FORK PIPE COMP	FORK PIPE COMP	2	
	51411	51411-KHD8-900	BOOT	BOOT	2	
	51412	51412-KHD8-900	REBOUND SPRING	REBOUND SPRING	2	
	51413	51413-KHD8-900	BOOT BAND	BOOT BAND	2	
**	51420	51420-KKC4-900	BOTTOM CASE R	BOTTOM CASE R	1	
	51422	51422-KKC4-900	OIL LOCK PIECE	OIL LOCK PIECE	2	
	51423	51423-KKAK-900	OIL SEAL	OIL SEAL	2	
	51427	51427-KKAK-900	DUST SEAL	DUST SEAL	2	
	51428	51428-KKAK-900	RING OIL SEAL STOPPER	RING OIL SEAL STOPPER	2	
	51429	51429-KHD8-900	PIPE SEAT COMP	PIPE SEAT COMP	2	
**	51520	51520-KKC4-900	BOTTOM CASE L	BOTTOM CASE L	1	
	90116	90116-KHD8-900	BOLT	BOLT	2	
	90544	90544-KEC8-900	PACKING	PACKING	2	
	94605	94605-KHD8-900	FORK BOLT	FORK BOLT	2	
	94608	94608-30000	O-RING	O-RING	2	



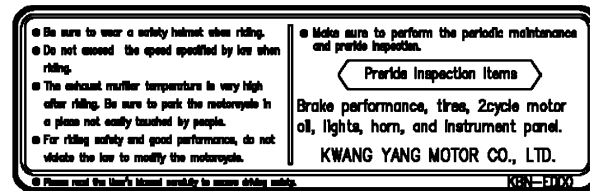
Sales mark	Ref no	Part no	Description	Reg description	Regd no	F23
17368		17368-KDB4-670	CLIP B 14.5 TUBE	CLIP B 14.5 TUBE	1	
17369		17369-KDB4-671	CLIP BREATHER TUBE	CLIP BREATHER TUBE	1	
18618		18618-KEBE-900	RUBBER AI CLEANER MOUNT	RUBBER AI CLEANER MOUNT	1	
18656		18656-LDA5-E00	TUBE AI/C REED VALVE	TUBE AI/C REED VALVE	1	
18805		18805-KHB4-910	ELEMENT AI. CLEANER	ELEMENT AI. CLEANER	2	
18806		18806-KBE2-900	CASE AIC-AICV	CASE AIC-AICV	1	
18807		18807-KBE2-900	COVER AIR CLEANER	COVER AIR CLEANER	1	
18812		18812-KBE2-900	SEAL AI/C COVER	SEAL AI/C COVER	1	
18814		18814-KKD6-EZ0	DUCT AI/C	DUCT AI/C	1	
93903		93903-14320	SCREW TAPPING 4*12	SCREW TAPPING 4*12	2	
95002		95002-KKD6-E05	CLAMP D18 TUBE	CLAMP D18 TUBE	1	



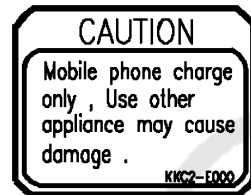
Caution Label



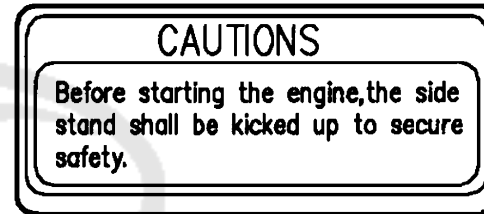
87542



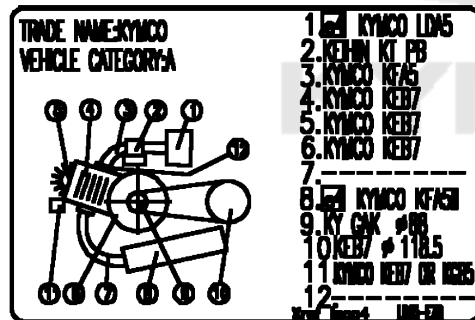
87560



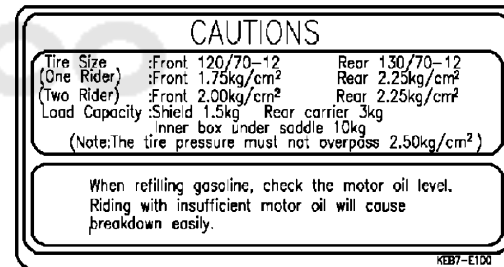
87541-KKC2



87541-GAR1



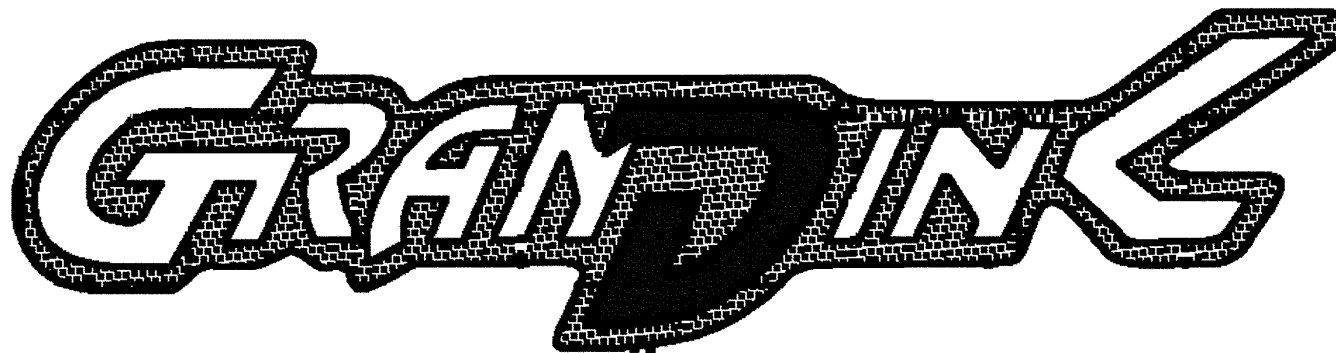
87224



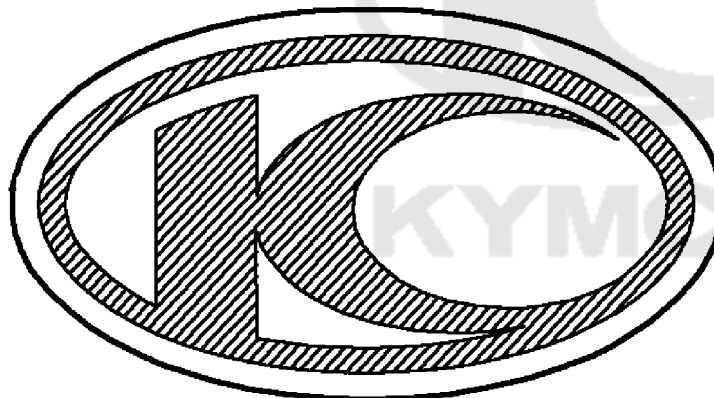
87505

Sales mark	Ref no	Part no	Description	Reg description	Regd no	<b>F24</b>
**	87224	87224-LDA5-EZ1	CAUTION ANTI TAMPERING	CAUTION ANTI TAMPERING	1	
**	87505	87505-KEB7-E10	LABEL TIRE	LABEL TIRE	1	
**	87541-GAR1	87541-GAR1-E00	CAUTION SIDE STAND	CAUTION SIDE STAND	1	
**	87541-KKC2	87541-KKC2-E00	CAUTION MOBILE PHONE	CAUTION MOBILE PHONE	1	
**	87542	87542-GAR1-E00	MARK MAINT CAUTION	MARK MAINT CAUTION	1	
**	87560	87560-KNBN-E00	MARK DRIVE CAUTION	MARK DRIVE CAUTION	1	





86202



86102



86030

Sales mark	Ref no	Part no	Description	Reg description	Regd no	<b>F25</b>
**	86030	86030-KKC4-900	EMB HANDLE COVER RR	EMB HANDLE COVER RR	4	
**	86102	86102-LLB5-E00	STRIPE K-LOGO 60MM	STRIPE K-LOGO 60MM	1	
**	86202	86202-KKC4-E00	EMB BODY COVER	EMB BODY COVER	1	



## PART NO. INDEX

PART NO.	VERSION	PAGE	PART NO.	VERSION	PAGE	PART NO.	VERSION	PAGE
<b>1000</b>			<b>4000</b>			12191-KEB7-980	1	E02
1001-GC8H-0351	0	E11	4000-113-0000	0	E11	12201-KEB7-900	1	E02
1010-GAKH-9200	0	E11				12251-KEB7-900	0	E02
1014-GAKH-9100	0	E11	<b>11000</b>			12311-KFB5-900	2	F15
1019-GW3H-9800	0	E11				<b>13000</b>		
1020-GAKH-9300	0	E11	11100-KFA5-305	3	E09	13000-GKAK-921	9	E10
1031-181H-8310	0	E11	11102-1G87-004	3	E09	13011-GLW0-90A	4	E10
1034-153H-9901	0	E11	11108-KEB7-900	0	E03	13101-GLW0-901	2	E10
103J-073H-9900-SB0	0	E11	11200-KEB7-325	5	E09	13111-1F66-001	2	E10
1051-KG8H-9010	0	E11	11203-GGC7-301	2	E09	13115-1F56-001	0	E10
105B-KBNH-9000	0	E11	11203-KHG8-301	2	E08			
106B-KG8H-9804	0	E11	11204-KEB7-900	0	E09	<b>14000</b>		
1300-GW0H-9000	0	E11	11205-GHAH-004	0	E05			
1300-GW3H-Q800	0	E11	11205-GHAH-004	0	E09	14100-KEB7-900	0	E09
1300-KG8H-9010	0	E11	11205-KED5-900	0	E09			
1300-KG8H-Q010	0	E11	11206-KEB7-900	0	E09	<b>15000</b>		
1703-GJ2H-0040	0	E11	11208-GKAK-901	0	E09			
1782-KG8H-9010	0	E11	11341-KEB7-900	3	E05	15100-KEB7-E00	0	E09
1785-KBNH-9000-SB0	0	E11	11395-KEB7-900	0	E05	15110-KEB7-900	0	E09
1793-144H-9900	0	E11				1552A-KEB7-901	0	E09
1795-KG8H-9010	0	E11	<b>12000</b>			15772-5A51-001	1	F12
1799-KBNH-9000	0	E11						
			12101-KEB7-901	2	E02			
			12191-KEB7-900	0	E02			



## PART NO. INDEX

PART NO.	VERSION	PAGE	PART NO.	VERSION	PAGE	PART NO.	VERSION	PAGE
<b>16000</b>			1720A-LDA5-E00	0	F14	<b>18000</b>		
16075-KG8-9010-M1	0	E11	17212-KEB7-900	0	F14	18291-LBA7-900	2	F15
16076-KG8-9010-M1	0	E11	17213-KEB7-900	2	F14	18293-KECE-900	0	F15
16076-ND5-0040	0	E11	17215-KGBG-90A	2	F14	18294-KEBE-900	0	F15
1610K-LDA5-E00	1	E11	17215-KNBN-200	0	F21	18295-KECE-900	0	F15
16152-KG8-9010-M1	0	E11	17215-LDA5-E00	1	F14	1830A-LDA5-E01	0	F15
16162-KG8-9010-M1	0	E11	17216-LDA5-E00	2	F14	18318-KKC1-E00	0	F15
1621A-GKAK-901	0	E09	17219-LBD6-E00	0	F14	18601-KFB5-900	0	F15
16620-KEB7-E00	1	E11	17236-KFBF-910	1	F14	18612-KFB5-900	1	F15
16630-KEB7-E00	1	E01	17368-KDB4-670	2	F23	18618-KEBE-900	0	F23
16700-GKAK-220	1	F10	17369-KDB4-671	1	F23	18645-KGB5-EZ0	1	F15
1671A-KFA5-900	1	E09	17500-KKC4-900	4	F10	18656-LDA5-E00	2	F23
16911-LDA5-E00	3	F10	17502-1G87-001	0	F12	18805-KHB4-910	0	F23
16912-LDA5-E00	1	F10	17502-KKC4-900	0	F10	18806-KBE2-900	1	F23
1691A-KEC2-E00	0	F10	17510-KKC4-E00	0	F10	18807-KBE2-900	3	F23
<b>17000</b>			17520-KKC4-900	1	F20	18812-KBE2-900	0	F23
17100-KEB7-E01	2	E09	17550-KHC4-900	0	F10	18814-KKD6-EZ0	2	F23
17111-KEB7-900	0	E09	17620-KHC5-E00	1	F20	<b>19000</b>		
17112-KEB7-900	1	E09	17620-KHC5-E0B	1	F20	19410-KEB7-900	2	F21
17112-KEB7-980	1	E09	17623-KHC4-90A	6	F20	19411-KBCB-900	0	F10
17205-KEB7-900	0	F14	17623-KHC4-90B	1	F20	19411-KNBN-900	1	F21
17207-KEB7-900	0	F14	17683-LDA5-E00	1	F10	19510-GBW2-901	6	E03
			17689-KEBE-900	1	F10			
			17910-LDA5-E00	3	F03			

## PART NO. INDEX

PART NO.	VERSION	PAGE	PART NO.	VERSION	PAGE	PART NO.	VERSION	PAGE
19600-KEB7-900	0	E01						
1962A-KEB7-900	4	E01	<b>23000</b>			<b>30000</b>		
<b>21000</b>			2301A-KEB7-220	1	E07	30400-LDA5-E0A	1	F20
			23100-KEB7-900	0	E07	3051A-KEB7-90A	4	F20
21200-GKAK-305	6	E08	23200-GAR1-220	2	E07	3051A-KEB7-90B	2	F20
21395-KNBN-901	1	E08	23220-GKAK-220	1	E07	30700-KNBN-901	2	F20
21395-LBD3-900	1	E08	23225-GAR1-751	0	E07			
<b>22000</b>			23233-GHE8-001	2	E07	<b>31000</b>		
			23237-GAR1-220	0	E07			
			23238-GFY6-941	0	E07	31110-KEB7-90A	2	E03
22100-GAR1-751	1	E07	23411-KEB7-900	1	E08	31110-KEB7-90B	1	E03
22102-KEB7-900	0	E06	23420-KEB7-900	3	E08	31120-KFA5-90A	1	E03
22103-KEB7-900	0	E06	23431-KNBN-901	2	E08	31120-KFA5-90B	2	E03
22105-KEB7-E00	1	E06	23432-KEB7-900	3	E08	31209-GKAK-901	3	E04
22110-KFA1-220	0	E06				31210-GKAK-901	1	E04
22121-GLW0-901	2	E06	<b>28000</b>			31500-KCAC-90A	9	F11
22131-GHAH-781	0	E06				31600-KUDU-900	2	F20
22132-GLW0-001	2	E06	28211-KEB7-900	1	E06	31601-LBA2-E00	2	F20
22300-KXCX-900	2	E07	28223-KNBN-901	0	E06			
22350-GKAK-930	1	E07	28230-GKAK-921	0	E06	<b>32000</b>		
22401-GBG2-900	0	E07	28250-KNBN-901	1	E06			
22530-GKAK-930	1	E07	28253-GBN2-60A	0	E06	32100-LDA5-E00	3	F20
22804-1H48-001	0	E07	28255-GFS6-001	0	E06	32105-KFA5-900	2	E04
			28281-GBN2-60A	1	E06	32120-1E55-001	0	F20
			28300-KGB5-900	0	F16	32161-3C93-004	0	E01

## PART NO. INDEX

PART NO.	VERSION	PAGE	PART NO.	VERSION	PAGE	PART NO.	VERSION	PAGE	
<b>33000</b>			33706-KHB4-E01	0	F19	35340-KED1-900	0	F03	
			33709-KBAB-003	0	F19	35340-KNBN-901	0	F04	
			33720-KHB4-E00	4	F19	35360-KFBF-900	1	F13	
	33100-LDA5-E00	1	F01	33722-KHB4-E00	0	F19	35400-KNBN-920	0	F20
	33120-KKC4-E00	1	F01	33725-KHB4-E00	0	F19	35410-KEB7-900	0	F12
	33130-LDA5-E00	0	F01	33726-KHB4-E00	0	F19			
	33400-KKC4-E00	0	F18	33741-GFY6-C30	1	F05	<b>37000</b>		
	33402-KKC4-E00	0	F18	33741-KEBE-900	1	F19			
	33403-KKC4-E00	0	F18	33900-KFBF-900	0	F13	37200-LDA5-E00	2	F02
	33407-KKC4-E00	0	F18				37203-KKC3-900	0	F02
	33450-KKC4-E00	0	F18	<b>34000</b>			37204-LDA5-E00	1	F02
	33452-KKC4-E00	0	F18				37205-LDA5-E00	1	F02
	33453-KKC4-E00	0	F18	34901-KFA6-900	0	F01	37211-KKC3-900	1	F02
	33457-KKC4-E00	0	F18	34903-KPCP-900	0	F01	37213-KKC3-900	1	F02
	33600-KKC4-E00	2	F18	34903-KPCP-900	0	F19	37214-KKC3-900	0	F02
	33602-KKC4-E00	0	F18	34905-KPCP-900	0	F18	37280-KKC3-900	0	F02
	33603-KKC4-E00	0	F18	34906-KPCP-900	0	F19	37720-KGBG-E00	0	F20
	33606-KKC4-E00	0	F18	34908-MKB9-87A	0	F02	37801-GGA7-701	1	F10
	33607-KKD7-E00	0	F18	34909-KFBF-900	0	F13	37802-GGA7-701	2	F10
33650-KKC4-E00	2	F18				3780A-KKC3-900	3	F10	
33652-KKC4-E00	0	F18	<b>35000</b>						
33653-KKC4-E00	0	F18				<b>38000</b>			
33656-KKC4-E00	0	F18	35101-KKC2-325	0	F20				
33700-KKC4-E00	1	F19	35102-KHC4-900	2	F20	38110-KEB7-90A	2	F20	
33702-KKC4-E00	0	F19	3515A-LDA5-E00	1	F03	38110-KEB7-90B	3	F20	
33705-KKC4-E00	0	F19	3520A-LDA5-E00	1	F03	38300-KECE-900	3	F20	

## PART NO. INDEX

PART NO.	VERSION	PAGE	PART NO.	VERSION	PAGE	PART NO.	VERSION	PAGE
38501-GBW2-902	1	F20	44650-KHD8-30C	4	F07	45351-KHE7-E00	1	F07
<b>42000</b>			44710-KKC4-900	3	F07	45513-KXCX-M00	1	F04
			44800-KFA5-900	2	F07	45517-GFY6-900	5	F03
			44830-KKC4-900	3	F02	45517-KFAF-910	0	F04
			44831-KKC4-900	0	F02	45520-GLW0-91A	0	F04
42601-KEB7-E0E	2	F08	<b>45000</b>			45530-KFC8-E00	2	F04
42710-KEB7-E1A	3	F08				45531-GAR1-951	0	F07
42753-KNBN-90A	0	F08				<b>46000</b>		
42753-KXCX-900	1	F07						
<b>43000</b>			45107-MEN5-007	0	F07			
			45108-MDL4-007	2	F07			
			45109-GBE2-007	0	F07	46514-KFBF-900	0	F13
			45126-KKC2-900	2	F04	<b>50000</b>		
4312A-LAB4-90A	3	F08	45128-KEBE-900	0	F04			
4312A-LAB4-90B	3	F08	45131-1F66-017	0	F07			
43141-KKD6-E00	1	F08	45131-GBE2-007	1	F07		50100-LDA5-E00	5
43352-5H68-004	3	F07	45132-1F66-017	0	F07	50139-LDA5-E00	1	F10
43353-4A61-77A	0	F07	45133-0H28-001	1	F08	50151-KKC4-900	0	F21
43410-KFA1-900	0	F08	45133-MCA3-007	0	F07	50185-KKC4-900	0	F21
43450-LDA5-E00	1	F03	45150-LLB5-305	0	F07	50186-KKC4-900	0	F21
43452-GKAK-900	0	F03	45156-KECE-900	2	F06	50197-KKC4-900	1	F10
<b>44000</b>			45200-KKC2-E00	1	F07	50301-KGN7-671	2	F21
			45209-GBE2-007	0	F07	50302-2H68-011	2	F21
			45210-KHD8-900	0	F07	50306-1F96-001	0	F06
			45215-KECE-900	0	F07	50325-LDA5-E00	1	F11
44301-KXCX-900	4	F07	45216-1F66-007	0	F07	50326-LDA5-E00	2	F11
44311-KEBE-900	0	F07	45216-KFW6-90A	0	F07	50328-GKAK-200	0	F11
44620-KHD8-900	1	F07						
44650-KHD8-30A	3	F07						

## PART NO. INDEX

PART NO.	VERSION	PAGE	PART NO.	VERSION	PAGE	PART NO.	VERSION	PAGE
50350-LDA5-E00	3	F21	51429-KHD8-900	0	F22	53209-KKC4-900	0	F03
50356-KHE7-E00	0	F21	5150A-KKC4-900	3	F06	53211-GFY6-940	1	F06
50356-KNBN-200	1	F21	51520-KKC4-900	0	F22	53212-2L50-011	1	F06
50503-KEB7-900	1	F16				53214-2L50-001	0	F06
50505-KEBE-900	0	F16	<b>52000</b>			53214-KKC4-900	0	F05
5050A-LDA5-E00	1	F16				53215-2L50-001	0	F06
50527-KED5-900	0	F16	52400-LBD5-E00	2	F17	53216-LDA5-E00	1	F03
50530-KKC4-E00	1	F16				53224-KKC4-900	0	F05
50531-KEB7-E00	1	F16	<b>53000</b>					
50532-KGBG-E00	1	F16				<b>55000</b>		
50550-KEB7-E00	1	F16	53100-KKC4-900	0	F03			
50613-KKC4-900	1	F21	53105-KFC8-900	2	F03	55102-1F66-001	0	F12
			53106-KFC8-900	2	F03	55106-KEB7-900	2	F12
<b>51000</b>			53125-GEN5-901	0	F03	5510A-LDA5-E00	6	F12
			53140-KKC3-900	0	F03	55121-LDA5-E00	1	F12
51400-KKC4-900	2	F06	53166-KGB5-900	0	F03	55123-LDA5-E00	1	F12
51401-KHD8-900	0	F22	53172-KED1-900	0	F03	55201-1G87-001	0	F12
51410-KHD8-900	0	F22	53175-KFA5-E10	0	F04			
51411-KHD8-900	0	F22	53178-KFA5-E10	0	F03	<b>61000</b>		
51412-KHD8-900	0	F22	5317B-KFA5-E10	1	F03			
51413-KHD8-900	0	F22	53200-LDA5-E00	1	F06	61110-KHD8-900	2	F06
51420-KKC4-900	0	F22	53204-KKC4-900	2	F05			
51422-KKC4-900	0	F22	53205-KKC4-900	2	F03	<b>64000</b>		
51423-KKAK-900	0	F22	53206-KKC4-900	1	F03			
51427-KKAK-900	0	F22	53207-KKC4-900	0	F03	64220-KKC4-900	1	F05
51428-KKAK-900	0	F22	53208-KKC4-900	0	F03	64221-KKC4-900	0	F05

## PART NO. INDEX

PART NO.	VERSION	PAGE	PART NO.	VERSION	PAGE	PART NO.	VERSION	PAGE
64222-KKC4-900	3	F05	77240-KKC4-900	1	F13	81202-KKC4-900	0	F13
64301-KKC4-900	0	F05	77300-KKC4-900	3	F09	8120A-KKC4-900	6	F13
64302-KKC4-900	0	F05	77303-LLF5-900	2	F09	81251-KKC4-900	0	F13
64305-KKC4-900	2	F05	77305-KKC4-900	1	F09	81257-KKC4-800	1	F13
64306-KKC4-900	2	F05				81260-KKC4-900	1	F13
64309-KKC4-900	0	F05	<b>80000</b>			81400-KKC4-900	0	F13
64310-KKC4-900	0	F05				81500-KKC4-900	0	F13
64311-KKC4-900	3	F05	80100-KEB7-900	0	F19			
64312-KKC4-900	3	F05	80100-LDA5-E00	3	F19	<b>83000</b>		
64315-LDA5-E00	3	F21	80101-KKC4-900	1	F19			
64317-KKC4-900	1	F05	80102-KKC4-900	2	F19	83500-KKC4-900	0	F13
64318-KKC4-900	0	F21	80105-KKC4-900	3	F19	83600-KKC4-900	1	F13
64320-KKC4-900	0	F05	80106-KKC4-900	0	F19	8360A-LDA5-E00	2	F14
64321-KKC4-900	3	F05	80108-KEB7-900	0	F19	83750-KKC4-900	2	F13
64322-KKC4-900	1	F05	80109-KEB7-900	0	F19	8376A-KEBE-900	4	F05
64327-KKC4-900	1	F02	80151-KKC4-900	0	F13			
64328-KKC4-900	0	F02				<b>86000</b>		
64400-KKC4-900	0	F05	<b>81000</b>					
<b>77000</b>			81131-KKC4-900	0	F05	86030-KKC4-900	2	F25
			81132-KEB7-900	1	F05	86102-KFA6-E00	2	F05
77200-KKC4-E01	1	F09	81132-LDA5-E00	2	F05	86102-LLB5-E00	1	F25
77206-KEB7-900	0	F09	81136-LDA5-E00	1	F05	86202-KKC4-E00	0	F25
77210-KKC4-900	0	F09	81137-KKC4-900	0	F05			
77220-KKC4-910	1	F09	81147-KKC4-900	0	F05	<b>87000</b>		
77235-KKC4-900	0	F13	81201-KKC4-900	1	F13	87224-LDA5-EZ1	0	F24

## PART NO. INDEX

PART NO.	VERSION	PAGE	PART NO.	VERSION	PAGE	PART NO.	VERSION	PAGE
87505-KEB7-E10	1	F24				90122-GCS3-001	0	E06
87508-KKC4-E00	1	F05	<b>90000</b>			90122-KEBE-900	2	F07
87541-GAR1-E00	1	F24				90145-MKS9-61A	1	F04
87541-KKC2-E00	1	F24	90001-GKAK-901	0	E02	90202-1G87-001	0	E07
87542-GAR1-E00	2	F24	9000A-KTDT-900	1	E05	90215-KKC4-900	1	F13
87560-KNBN-E00	1	F24	90101-KGC4-E00	1	F09	90301-6D34-671	1	F19
<b>88000</b>			90105-KCR3-001	1	F07	90301-KGBG-900	1	F15
			90105-KEC8-900	0	F13	90302-GBR2-001	1	F05
			90105-KEN5-001	0	F13	90302-GFY6-901	1	F03
88110-KKC3-900	4	F03	90105-KNBN-901	0	F13	90302-GFY6-901	1	F05
88114-KKC4-900	3	F03	90106-GEN5-901	0	F03	90302-GFY6-940	1	F02
88115-KKC4-900	0	F03	90106-KFC2-900	0	F03	90302-GFY6-940	1	F05
88116-KKC4-900	3	F03	90106-KFC2-900	0	F13	90302-GFY6-940	1	F13
88120-KKC3-900	4	F03	90106-KHE7-E00	0	F21	90302-KEC8-900	1	F03
88125-KKC4-900	0	F03	90106-KKC4-900	0	F13	90302-SDA4-004	2	F05
88126-KKC4-900	3	F03	90108-KFC8-E00	0	F16	90302-SDA4-004	2	F13
88130-KKC4-900	0	F03	90110-KEB7-900	1	F06	90304-GHE8-004	0	F03
88135-KKC4-900	1	F03	90110-KHD8-900	0	F15	90304-GHE8-004	0	F21
<b>89000</b>			90111-1G87-001	1	F13	90305-GHK8-001	1	F13
			90112-KNBN-901	1	F19	90305-KNBN-90B	0	F08
			90112-KRDR-900	0	F20	90306-KLF0-004-SY	1	F07
89010-GGS7-C00	3	F09	90114-1F66-007	2	F04	90309-KLF0-004-SY	1	E08
89013-KFC8-E00	1	F09	90115-GLE0-001	0	F03	90312-GLF0-001	0	F05
89020-KKC4-900	1	F09	90116-KHD8-900	0	F22	90381-GEZ5-001	1	F13
			90120-GAR1-J00	0	E09	90412-3K29-001	0	E06
			90121-KHE7-E00	0	F21	90429-KNBN-901	0	E08

## PART NO. INDEX

PART NO.	VERSION	PAGE	PART NO.	VERSION	PAGE	PART NO.	VERSION	PAGE
90442-0D44-001	0	E07	91103-GAR1-004	0	E07	93404-06016-06	0	F21
90451-GBN2-601	0	E06	91201-KNBN-92A	0	E09	93404-06020-06	1	F05
90454-GBB2-001	0	E07	91202-KNBN-92A	0	E09	93404-KKC2-900	1	F05
90474-3C33-001	1	E09	91202-KNBN-92B	0	E09	93500-04012-0H	0	F13
90501-KNBN-901	0	F08	91204-KNBN-90A	1	E09	93500-04020-0G	0	F20
90544-KEC8-900	0	F22	91211-GHK8-014	1	E07	93500-05012-0H	0	E09
90545-3L00-001	2	F04	91255-GLE0-006	0	E08	93500-05016-1B	0	F03
90652-KTCT-900	1	F14	91301-0C53-001	0	E08	93500-05025-1B	0	F03
90656-KCBC-900	0	F03	91301-KEA5-742	0	E07	93500-05032-1B	0	F03
90656-KUDU-900	0	F20	91302-PKA9-004	0	E07	93500-05045-1B	0	F03
90677-GAR1-004	1	F05	91304-GLB0-911	1	E09	93500-KHC4-90A	0	F20
90741-0E35-001	0	E10	91309-GKAK-901	0	E04	93600-04012-1G	0	F04
90754-GHC8-00A	1	F07	91352-KHG8-83B	0	F08	93700-05018-0H	0	F02
90912-KFLF-00A	0	F07	91353-GFY6-900	0	F08	93891-05012-06	0	F05
90915-KKC4-900	1	F02	91508-KGV7-67A	0	F19	93892-04008-18	0	E11
						93892-04014-18	0	E11
<b>91000</b>			<b>92000</b>			93893-04012-18	0	F04
						93901-32220	0	F18
91001-GGA7-70A	2	E07	92700-06028-1B	0	E02	93901-32310	0	F18
91001-GLW0-90A	6	E09				93901-34220	0	F18
91004-KBN2-90A	0	E08	<b>93000</b>			93901-34320	0	F19
91004-KBN2-90A	0	E09				93903-14320	0	F23
91004-KNBN-92A	0	E09	93404-06016-06	0	F05	93903-25360	0	F14
91006-KNBN-901	5	E09	93404-06016-06	0	F11	93903-34260	0	F05
91009-GLE0-004	1	E08	93404-06016-06	0	F12	93903-34360	0	F03
91102-GLW0-009	0	E10	93404-06016-06	0	F19	93903-34360	0	F05



## PART NO. INDEX

PART NO.	VERSION	PAGE	PART NO.	VERSION	PAGE	PART NO.	VERSION	PAGE
93903-34360	0	F13	94050-10080	0	E03	95701-06008-06	1	F15
93903-34360	0	F14	94050-10080	0	E07	95701-06012-08	0	F01
93903-34360	0	F18	94101-06700	0	F15	95701-06012-08	0	F04
93903-34360	0	F19	94101-08600	0	F16	95701-06012-08	0	F06
93903-35220	0	F10	94251-08400	0	F16	95701-06012-08	0	F10
93903-35360	0	F01	94301-10200	0	E09	95701-06012-08	0	F13
93903-35360	0	F03	94510-20000	0	E08	95701-06012-08	0	F21
93903-35360	0	F13	94511-14000	0	E06	95701-06014-08	0	F10
93903-GFY6-900	1	F05	94520-24000	1	E07	95701-06022-02	0	F16
93903-GFY6-900	1	F11	94591-27000	0	F05	95701-06022-08	0	F08
93903-GFY6-900	1	F13	94591-KFBF-900	2	E01	95701-06025-06	2	F15
93903-KEB7-900-06	1	F05	94605-KHD8-900	0	F22	95701-06025-08	0	E01
93903-KEB7-900-06	1	F19	94608-30000	0	F22	95701-06040-08	0	F14
						95701-06040-08	0	F15
<b>94000</b>			<b>95000</b>			95701-08012-08	0	E09
						95701-08012-08	0	F21
94001-05080-0S	0	F03	95002-02080	0	E09	95701-08030-08	0	F17
94001-12280-0S	0	E06	95002-02080	0	E11	95701-08040-08	0	E09
94050-05080	0	F19	95002-02080	0	F10	95701-08050-08	0	F21
94050-06060	0	F04	95002-02100	0	F10	95701-KHC5-E00	3	F20
94050-06080	0	E11	95002-02130	0	F10	95801-08035-08	0	E09
94050-06080	0	F05	95002-02150	0	F12	95801-08040-08	0	F06
94050-06080	0	F09	95002-02650	0	E09	95801-08075-06	0	F15
94050-06080	0	F10	95002-50000	0	F02	95801-10035-08	0	F17
94050-06080	0	F11	95002-50000	0	F12	95801-10115-06	0	F21
94050-06080	0	F20	95002-KKD6-E05	0	F23	95801-10140-08	0	F21

## PART NO. INDEX

PART NO.	VERSION	PAGE	PART NO.	VERSION	PAGE	PART NO.	VERSION	PAGE
95801-KGB5-E00	1	F15						
			<b>99000</b>					
			99101-116-0780	0	E11			
			<b>K</b>					
96001-06012-08	0	E03						
96001-06012-08	0	F03						
96001-06014-08	0	F10						
96001-06016-08	0	E03	K378-001	0	E11			
96001-06022-06	1	F04	K785-KEB-0100	0	E11			
96001-06022-08	0	E03	K785-KEB-0300	0	E11			
96001-06025-06	0	F03						
96001-06025-08	0	E04	<b>N</b>					
96001-06025-08	0	E09						
96001-06032-08	0	E09	N350-09G00	0	E11			
96001-06045-08	0	E09	N413-32A00	0	E11			
96001-06055-08	0	E09	N425-2RFMM	0	E11			
96100-62033-00	0	E09						
96211-05000	0	F06						
96211-08000	0	F06						
			<b>98000</b>					
98076-5871G-00	0	E02						
98200-10700	0	F11						
98200-10700	0	F20						
98200-KKC4-900	0	F20						