

# PARTS CATALOGUE



## SCOOTERS

SH60AB(GR)

G-DINK 300i



Release Date : 1899/12/31  
Print Date : 2013/07/25

## ABOUT THIS PARTS LIST

- This parts list is compiled all service parts for model SH60AB(GR).
- Any difference between color chart and motorcycle will be revised according to motorcycle.
- The Mark:
  1. Marking "\*\*\*" must add color code in the end before ordering parts.
  2. Marking "#" are parts with modification, Please find the details from e-Parts system.
- When modification or additions to this parts list are made a revised edition at an appropriate time.



# CONTENTS

● ABOUT THIS PARTS LIST .....	1
● COLOR CHART OF SH60AB(GR) .....	3
● CONTENTS-ENGINE GROUP .....	15
● CONTENTS-FRAME GROUP .....	16
● ENGINE PARTS LIST .....	19
● FRAME PARTS LIST .....	51
● PART NO. INDEX .....	125

NO	MODEL			COLOR CHART OF SH60AB(GR)			
	PHOTO NO			NO. 1	NO. 2	NO. 3	NO. 4
	BASIC COLOR			Black Blue		Sapphire Blue Metallic	
	CODE			Black Blue		Sapphire Blue Metallic	
	PARTS NAME	PARTS NO.	VERSION	PB184PA	PB184PA	PB242MA	RR217PA
1	PROECTOR MUFFLER	18318-LHG7-E00	1	DKP			
2	END HANDLE	53102-KEC8-900	0	F1S			
3	END R STRGHANDLE	53105-LBB5-E00	2				
4	WHEEL RR CAST	42601-LHG7-E01	4				
5	WHEEL SET FR	44600-LHG7-305	0	HJA			
6	WHEEL, FR CAST	44601-LHG7-E00	3				
7	FORK ASSY. FR R	51400-LHG7-E00	6				
8	BOTTOM CASE R	51420-LHG7-E00	0				
9	FORK ASSY. FR L	51500-LHG7-E00	8	HUA			
10	BOTTOM CASE L	51520-LHG7-E00	0				
11	FORK ASSY RR	52000-LHG7-E00	7				
12	COVER LEFT	11341-LHG7-E00	5	HUP			
13	TAIL CAP MUFFLER	18306-LHG7-E00	1				
14	SKIRT R SIDE	64305-LHG7-E00	2				
15	SKIRT L SIDE	64306-LHG7-E00	2				
16	OUTER FR COVER	64307-LHG7-E00	1				
17	TOP COVER R BODY	83530-LHG7-E00	1	N1P			
18	TOP COVER L BODY	83630-LHG7-E00	1				
19	MIRROR ASSY R BACK	88110-LHG7-E00	1				
20	MIRROR ASSY L BACK	88120-LHG7-E00	1				
21	RR COVER L COVER	11343-LHG7-E00	2				
22	COVER,RADIATOR	19025-LHG7-E00	1				
23	COVER UNDER	50613-LHG7-E00	1	N1R			
24	GRIP COMP THROT	53140-KKC4-900	0				
25	GRIP L HANDLE	53166-KGB5-900	0				
DATE OF STARTING-SALES							
DATE OF END-SALES							

NO	MODEL			COLOR CHART OF SH60AB(GR)			
	PHOTO NO			NO. 5	NO. 6	NO. 7	NO. 8
	BASIC COLOR			Bright Red		Bright Silver	Pearly White
	CODE			Bright Red		Bright Silver	Pearly White
	PARTS NAME	PARTS NO.	VERSION	RR217PA	NH045MA	NH045MA	NH193PA
1	PROECTOR MUFFLER	18318-LHG7-E00	1	DKP			
2	END HANDLE	53102-KEC8-900	0	F1S			
3	END R STRGHANDLE	53105-LBB5-E00	2				
4	WHEEL RR CAST	42601-LHG7-E01	4				
5	WHEEL SET FR	44600-LHG7-305	0	HJA			
6	WHEEL, FR CAST	44601-LHG7-E00	3				
7	FORK ASSY. FR R	51400-LHG7-E00	6				
8	BOTTOM CASE R	51420-LHG7-E00	0				
9	FORK ASSY. FR L	51500-LHG7-E00	8	HUA			
10	BOTTOM CASE L	51520-LHG7-E00	0				
11	FORK ASSY RR	52000-LHG7-E00	7				
12	COVER LEFT	11341-LHG7-E00	5	HUP			
13	TAIL CAP MUFFLER	18306-LHG7-E00	1				
14	SKIRT R SIDE	64305-LHG7-E00	2				
15	SKIRT L SIDE	64306-LHG7-E00	2				
16	OUTER FR COVER	64307-LHG7-E00	1				
17	TOP COVER R BODY	83530-LHG7-E00	1	N1P			
18	TOP COVER L BODY	83630-LHG7-E00	1				
19	MIRROR ASSY R BACK	88110-LHG7-E00	1				
20	MIRROR ASSY L BACK	88120-LHG7-E00	1				
21	RR COVER L COVER	11343-LHG7-E00	2				
22	COVER,RADIATOR	19025-LHG7-E00	1				
23	COVER UNDER	50613-LHG7-E00	1	N1R			
24	GRIP COMP THROT	53140-KKC4-900	0				
25	GRIP L HANDLE	53166-KGB5-900	0				
DATE OF STARTING-SALES							
DATE OF END-SALES							

NO	MODEL			COLOR CHART OF SH60AB(GR)			
	PHOTO NO			NO. 9	NO. 10		
	BASIC COLOR				Deep Silver Metallic		
	CODE				Deep Silver Metallic		
	PARTS NAME	PARTS NO.	VERSION	NH193PA	NH232MA		
1	PROECTOR MUFFLER	18318-LHG7-E00	1	DKP			
2	END HANDLE	53102-KEC8-900	0	F1S			
3	END R STRGHANDLE	53105-LBB5-E00	2				
4	WHEEL RR CAST	42601-LHG7-E01	4				
5	WHEEL SET FR	44600-LHG7-305	0	HJA			
6	WHEEL, FR CAST	44601-LHG7-E00	3				
7	FORK ASSY. FR R	51400-LHG7-E00	6				
8	BOTTOM CASE R	51420-LHG7-E00	0				
9	FORK ASSY. FR L	51500-LHG7-E00	8	HUA			
10	BOTTOM CASE L	51520-LHG7-E00	0				
11	FORK ASSY RR	52000-LHG7-E00	7				
12	COVER LEFT	11341-LHG7-E00	5	HUP			
13	TAIL CAP MUFFLER	18306-LHG7-E00	1				
14	SKIRT R SIDE	64305-LHG7-E00	2				
15	SKIRT L SIDE	64306-LHG7-E00	2				
16	OUTER FR COVER	64307-LHG7-E00	1				
17	TOP COVER R BODY	83530-LHG7-E00	1	N1P			
18	TOP COVER L BODY	83630-LHG7-E00	1				
19	MIRROR ASSY R BACK	88110-LHG7-E00	1				
20	MIRROR ASSY L BACK	88120-LHG7-E00	1				
21	RR COVER L COVER	11343-LHG7-E00	2				
22	COVER,RADIATOR	19025-LHG7-E00	1				
23	COVER UNDER	50613-LHG7-E00	1	N1R			
24	GRIP COMP THROT	53140-KKC4-900	0				
25	GRIP L HANDLE	53166-KGB5-900	0				
DATE OF STARTING-SALES							
DATE OF END-SALES							

NO	MODEL			COLOR CHART OF SH60AB(GR)						
	PHOTO NO			NO. 1	NO. 2	NO. 3	NO. 4			
	BASIC COLOR			Black Blue		Sapphire Blue Metallic				
	CODE			Black Blue		Sapphire Blue Metallic				
	PARTS NAME	PARTS NO.	VERSION	PB184PA	PB184PA	PB242MA	RR217PA			
26	COVER METER FR.	53203-LHG7-E00	2	N1R						
27	COVER METER.RR.	53204-LHG7-E00	6							
28	COVER HANDLE LOW	53206-LHG7-E00	3							
29	COVER, RADIATOR	53207-LHG7-E00	3							
30	FENDER FR INNER	61110-LHG7-E00	3							
31	PLUG WIND SCREEN	64223-LEA7-E00	5							
32	GRILL R/H FR COVER	64308-LHG7-E00	1							
33	GRILL,L/H.,FR COVER	64309-LHG7-E00	1							
34	FLOOR. PANEL	64310-LHG7-E00	4							
35	LID RESERVE TANK	64311-LHG7-E00	3							
36	COWL UNDER	64400-LHG7-E00	2							
37	FENDER RR TIRE	80100-LHG7-E00	3							
38	FENDER RR. INNER	80101-LHG7-E00	4							
39	FENDER REAR	80105-LHG7-E00	5							
40	COVER CENTER	80151-LHG7-E00	2							
41	LID.FUEL TANK MAINT.	80152-LHG7-E00	4							
42	RUBBER FUEL CAP	80153-LEA7-E00	3							
43	COVER FUEL CAP LID	80154-LHG7-E00	1							
44	LEG SHIELD	81131-LHG7-E00	6							
45	RETAIN PLATE	81133-LHG7-E00	1							
46	CASE FR INNER BOX	81136-LHG7-E00	1							
47	LID ASSY INNER BOX	8113A-LHG7-E00	3							
48	COVER ,SIDE R/H	83510-LHG7-E00	4							
49	COVER ,SIDE L/H	83610-LHG7-E00	4							
50	CAP MIRROR BRKT	88115-LBA2-E02	1							
DATE OF STARTING-SALES										
DATE OF END-SALES										

NO	MODEL			COLOR CHART OF SH60AB(GR)			
	PHOTO NO			NO. 5	NO. 6	NO. 7	NO. 8
	BASIC COLOR			Bright Red		Bright Silver	Pearly White
	CODE			Bright Red		Bright Silver	Pearly White
	PARTS NAME	PARTS NO.	VERSION	RR217PA	NH045MA	NH045MA	NH193PA
26	COVER METER FR.	53203-LHG7-E00	2				
27	COVER METER.RR.	53204-LHG7-E00	6				
28	COVER HANDLE LOW	53206-LHG7-E00	3				
29	COVER, RADIATOR	53207-LHG7-E00	3				
30	FENDER FR INNER	61110-LHG7-E00	3				
31	PLUG WIND SCREEN	64223-LEA7-E00	5				
32	GRILL R/H FR COVER	64308-LHG7-E00	1				
33	GRILL,L/H.,FR COVER	64309-LHG7-E00	1				
34	FLOOR. PANEL	64310-LHG7-E00	4				
35	LID RESERVE TANK	64311-LHG7-E00	3				
36	COWL UNDER	64400-LHG7-E00	2				
37	FENDER RR TIRE	80100-LHG7-E00	3				
38	FENDER RR. INNER	80101-LHG7-E00	4				
39	FENDER REAR	80105-LHG7-E00	5				
40	COVER CENTER	80151-LHG7-E00	2				
41	LID.FUEL TANK MAINT.	80152-LHG7-E00	4				
42	RUBBER FUEL CAP	80153-LEA7-E00	3				
43	COVER FUEL CAP LID	80154-LHG7-E00	1				
44	LEG SHIELD	81131-LHG7-E00	6				
45	RETAIN PLATE	81133-LHG7-E00	1				
46	CASE FR INNER BOX	81136-LHG7-E00	1				
47	LID ASSY INNER BOX	8113A-LHG7-E00	3				
48	COVER ,SIDE R/H	83510-LHG7-E00	4				
49	COVER ,SIDE L/H	83610-LHG7-E00	4				
50	CAP MIRROR BRKT	88115-LBA2-E02	1				
DATE OF STARTING-SALES							
DATE OF END-SALES							

N1R



NO	MODEL			COLOR CHART OF SH60AB(GR)			
	PHOTO NO			NO. 9	NO. 10		
	BASIC COLOR				Deep Silver Metallic		
	CODE				Deep Silver Metallic		
	PARTS NAME	PARTS NO.	VERSION	NH193PA	NH232MA		
26	COVER METER FR.	53203-LHG7-E00	2				
27	COVER METER.RR.	53204-LHG7-E00	6				
28	COVER HANDLE LOW	53206-LHG7-E00	3				
29	COVER, RADIATOR	53207-LHG7-E00	3				
30	FENDER FR INNER	61110-LHG7-E00	3				
31	PLUG WIND SCREEN	64223-LEA7-E00	5				
32	GRILL R/H FR COVER	64308-LHG7-E00	1				
33	GRILL,L/H.,FR COVER	64309-LHG7-E00	1				
34	FLOOR. PANEL	64310-LHG7-E00	4				
35	LID RESERVE TANK	64311-LHG7-E00	3				
36	COWL UNDER	64400-LHG7-E00	2				
37	FENDER RR TIRE	80100-LHG7-E00	3				
38	FENDER RR. INNER	80101-LHG7-E00	4				
39	FENDER REAR	80105-LHG7-E00	5				
40	COVER CENTER	80151-LHG7-E00	2				
41	LID.FUEL TANK MAINT.	80152-LHG7-E00	4				
42	RUBBER FUEL CAP	80153-LEA7-E00	3				
43	COVER FUEL CAP LID	80154-LHG7-E00	1				
44	LEG SHIELD	81131-LHG7-E00	6				
45	RETAIN PLATE	81133-LHG7-E00	1				
46	CASE FR INNER BOX	81136-LHG7-E00	1				
47	LID ASSY INNER BOX	8113A-LHG7-E00	3				
48	COVER ,SIDE R/H	83510-LHG7-E00	4				
49	COVER ,SIDE L/H	83610-LHG7-E00	4				
50	CAP MIRROR BRKT	88115-LBA2-E02	1				
DATE OF STARTING-SALES							
DATE OF END-SALES							

NO	MODEL			COLOR CHART OF SH60AB(GR)			
	PHOTO NO			NO. 1	NO. 2	NO. 3	NO. 4
	BASIC COLOR			Black Blue		Sapphire Blue Metallic	
	CODE			Black Blue		Sapphire Blue Metallic	
	PARTS NAME	PARTS NO.	VERSION	PB184PA	PB184PA	PB242MA	RR217PA
51	BAND HARNESS WIRE	90656-KUDU-900	0	N1R			
52	DISK FR BRAKE	45351-LEA5-E00	2	N1S			
53	CUSHION ASSY, RR R	52400-LHG7-E00	6				
54	CUSHION ASSY, RR L	52500-LHG7-E00	7	<div style="display: flex; justify-content: space-around; align-items: center;"> <div style="border: 1px solid black; padding: 10px;">BJP</div> <div style="border: 1px solid black; padding: 10px;">BSP</div> <div style="border: 1px solid black; padding: 10px;">EHP</div> </div>			
55	FENDER FRONT	61100-LHG7-E00	2				
56	COVER FR.	64301-LHG7-E00	4				
57	MOLD FR.,R/H	64302-LHG7-E00	3				
58	MOLD FR.,L/H	64303-LHG7-E00	3				
59	COVER R BODY	83500-LHG7-E00	2				
60	MOLD R SIDE	83520-LHG7-E00	2				
61	COVER L BODY	83600-LHG7-E00	2				
62	MOLD, L SIDE	83620-LHG7-E00	3				
63	COVER RR CENTER	83750-LHG7-E00	2				
64	PROTECTOR EXHAUST	18325-LGE5-E00	0	NYS			
65	BACK SEAT COMP	77210-LHG7-E00	1	<div style="display: flex; justify-content: space-around; align-items: center;"> <div style="border: 1px solid black; padding: 10px;">T01</div> </div>			
66	EMB K-LOGO 20mm	86102-LGE5-E00	1				
67	EMB BODY COVER	86202-LHG7-E00	6				
68	EMB MARK 300i	87140-LHG7-E00	2				
69	LABEL TIRE	87505-LEA5-E00	1				
70	LABEL CLEANNESS	87508-KKC4-E00	1				
71	CAUTION FILTER	87512-KEBE-E00	0				
72	CAUTION SIDE STAND	87541-GAR1-E00	1				
73	CAUTION MOBILE	87541-KKC2-E00	1				
74	MARK MAINT CAUTION	87542-GAR1-E00	2				
75	MARK DRIVE CAUTION	87560-GFY6-E00	3				
DATE OF STARTING-SALES							
DATE OF END-SALES							

NO	MODEL			COLOR CHART OF SH60AB(GR)							
	PHOTO NO			NO. 5	NO. 6	NO. 7	NO. 8				
	BASIC COLOR			Bright Red		Bright Silver	Pearly White				
	CODE			Bright Red		Bright Silver	Pearly White				
	PARTS NAME	PARTS NO.	VERSION	RR217PA	NH045MA	NH045MA	NH193PA				
51	BAND HARNESS WIRE	90656-KUDU-900	0	N1R							
52	DISK FR BRAKE	45351-LEA5-E00	2	N1S							
53	CUSHION ASSY, RR R	52400-LHG7-E00	6								
54	CUSHION ASSY, RR L	52500-LHG7-E00	7	EHP							
55	FENDER FRONT	61100-LHG7-E00	2								
56	COVER FR.	64301-LHG7-E00	4								
57	MOLD FR.,R/H	64302-LHG7-E00	3								
58	MOLD FR.,L/H	64303-LHG7-E00	3								
59	COVER R BODY	83500-LHG7-E00	2					N8P		NVP	
60	MOLD R SIDE	83520-LHG7-E00	2					T01			
61	COVER L BODY	83600-LHG7-E00	2								
62	MOLD, L SIDE	83620-LHG7-E00	3								
63	COVER RR CENTER	83750-LHG7-E00	2								
64	PROTECTOR EXHAUST	18325-LGE5-E00	0	NYS							
65	BACK SEAT COMP	77210-LHG7-E00	1								
66	EMB K-LOGO 20mm	86102-LGE5-E00	1								
67	EMB BODY COVER	86202-LHG7-E00	6								
68	EMB MARK 300i	87140-LHG7-E00	2								
69	LABEL TIRE	87505-LEA5-E00	1								
70	LABEL CLEANNESS	87508-KKC4-E00	1								
71	CAUTION FILTER	87512-KEBE-E00	0								
72	CAUTION SIDE STAND	87541-GAR1-E00	1								
73	CAUTION MOBILE	87541-KKC2-E00	1								
74	MARK MAINT CAUTION	87542-GAR1-E00	2								
75	MARK DRIVE CAUTION	87560-GFY6-E00	3								
DATE OF STARTING-SALES											
DATE OF END-SALES											

NO	MODEL			COLOR CHART OF SH60AB(GR)							
	PHOTO NO			NO. 9	NO. 10						
	BASIC COLOR				Deep Silver Metallic						
	CODE				Deep Silver Metallic						
	PARTS NAME	PARTS NO.	VERSION	NH193PA	NH232MA						
51	BAND HARNESS WIRE	90656-KUDU-900	0	N1R							
52	DISK FR BRAKE	45351-LEA5-E00	2	N1S							
53	CUSHION ASSY, RR R	52400-LHG7-E00	6								
54	CUSHION ASSY, RR L	52500-LHG7-E00	7								
55	FENDER FRONT	61100-LHG7-E00	2								
56	COVER FR.	64301-LHG7-E00	4	NVP	NZP						
57	MOLD FR.,R/H	64302-LHG7-E00	3								
58	MOLD FR.,L/H	64303-LHG7-E00	3								
59	COVER R BODY	83500-LHG7-E00	2								
60	MOLD R SIDE	83520-LHG7-E00	2								
61	COVER L BODY	83600-LHG7-E00	2								
62	MOLD, L SIDE	83620-LHG7-E00	3								
63	COVER RR CENTER	83750-LHG7-E00	2								
64	PROTECTOR EXHAUST	18325-LGE5-E00	0					NYS			
65	BACK SEAT COMP	77210-LHG7-E00	1					T01			
66	EMB K-LOGO 20mm	86102-LGE5-E00	1								
67	EMB BODY COVER	86202-LHG7-E00	6								
68	EMB MARK 300i	87140-LHG7-E00	2								
69	LABEL TIRE	87505-LEA5-E00	1								
70	LABEL CLEANNESS	87508-KKC4-E00	1								
71	CAUTION FILTER	87512-KEBE-E00	0								
72	CAUTION SIDE STAND	87541-GAR1-E00	1								
73	CAUTION MOBILE	87541-KKC2-E00	1								
74	MARK MAINT CAUTION	87542-GAR1-E00	2								
75	MARK DRIVE CAUTION	87560-GFY6-E00	3								
DATE OF STARTING-SALES											
DATE OF END-SALES											

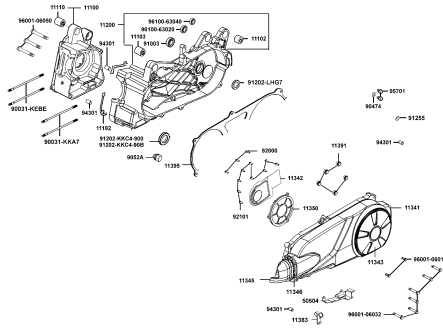
NO	MODEL			COLOR CHART OF SH60AB(GR)			
	PHOTO NO			NO. 1	NO. 2	NO. 3	NO. 4
	BASIC COLOR			Black Blue		Sapphire Blue Metallic	
	CODE			Black Blue		Sapphire Blue Metallic	
	PARTS NAME	PARTS NO.	VERSION	PB184PA	PB184PA	PB242MA	RR217PA
76	WIND SCREEN	64220-LHG7-E00	3	T02			
77	MARK KYMCO	87700-LBD5-E40	1				
78	CALIPER ASSY RR	43100-LHG7-E00	3	X5A			
79	CALIPER ASSY FR	45200-LEA7-E00	7				
80	BRACKET FR CALIPER	45210-LDF2-E00	0	X5P			
81	REAR CARRIER FR.	81210-LHG7-E00	3				
82	REAR CARRIER RR.	81220-LHG7-E00	2	YYP			
83	COVER HANDLE UP	53205-LHG7-E00	3				
84	TOP COVER.FR.	64304-LHG7-E00	4				
DATE OF STARTING-SALES							
DATE OF END-SALES							

NO	MODEL			COLOR CHART OF SH60AB(GR)			
	PHOTO NO			NO. 5	NO. 6	NO. 7	NO. 8
	BASIC COLOR			Bright Red		Bright Silver	Pearly White
	CODE			Bright Red		Bright Silver	Pearly White
	PARTS NAME	PARTS NO.	VERSION	RR217PA	NH045MA	NH045MA	NH193PA
76	WIND SCREEN	64220-LHG7-E00	3	T02			
77	MARK KYMCO	87700-LBD5-E40	1				
78	CALIPER ASSY RR	43100-LHG7-E00	3	X5A			
79	CALIPER ASSY FR	45200-LEA7-E00	7				
80	BRACKET FR CALIPER	45210-LDF2-E00	0				
81	REAR CARRIER FR.	81210-LHG7-E00	3	X5P			
82	REAR CARRIER RR.	81220-LHG7-E00	2				
83	COVER HANDLE UP	53205-LHG7-E00	3	YYP			
84	TOP COVER.FR.	64304-LHG7-E00	4				
DATE OF STARTING-SALES							
DATE OF END-SALES							

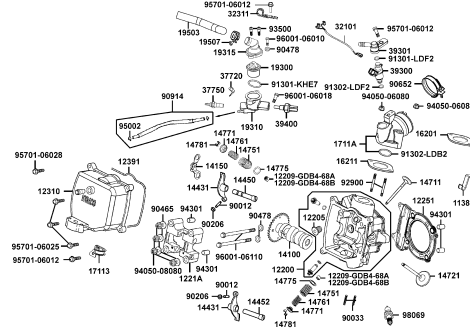
NO	MODEL			COLOR CHART OF SH60AB(GR)			
	PHOTO NO			NO. 9	NO. 10		
	BASIC COLOR				Deep Silver Metallic		
	CODE				Deep Silver Metallic		
	PARTS NAME	PARTS NO.	VERSION	NH193PA	NH232MA		
76	WIND SCREEN	64220-LHG7-E00	3	T02			
77	MARK KYMCO	87700-LBD5-E40	1				
78	CALIPER ASSY RR	43100-LHG7-E00	3	X5A			
79	CALIPER ASSY FR	45200-LEA7-E00	7				
80	BRACKET FR CALIPER	45210-LDF2-E00	0				
81	REAR CARRIER FR.	81210-LHG7-E00	3	X5P			
82	REAR CARRIER RR.	81220-LHG7-E00	2				
83	COVER HANDLE UP	53205-LHG7-E00	3	YYP			
84	TOP COVER.FR.	64304-LHG7-E00	4				
DATE OF STARTING-SALES							
DATE OF END-SALES							

# CONTENTS - ENGINE GROUP

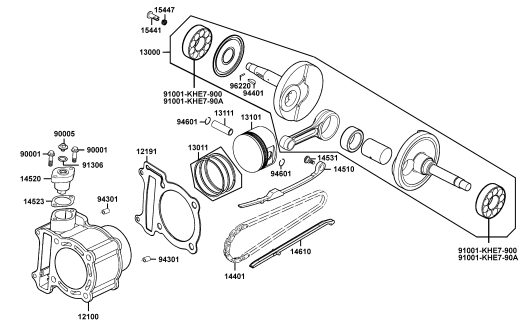
## E01 Crank Case



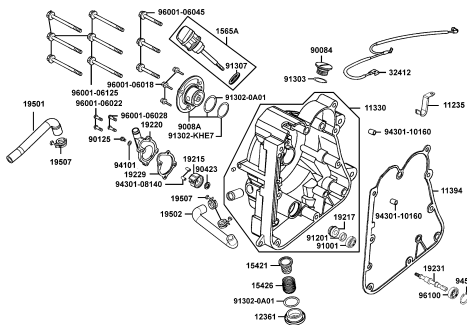
## E02 Cylinder Head Cover Cylinder



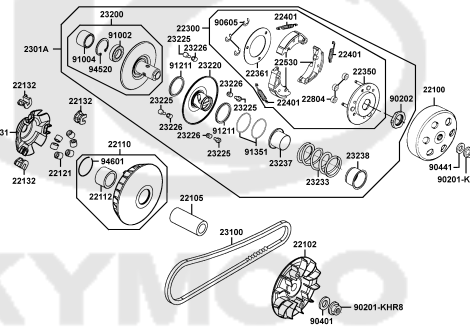
## E03 Cylinder Piston Crankshaft



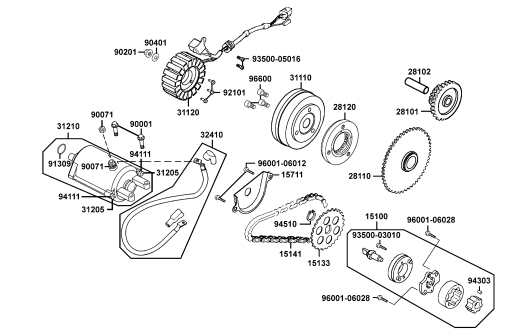
## E04 Right Crankcase Cover/Water



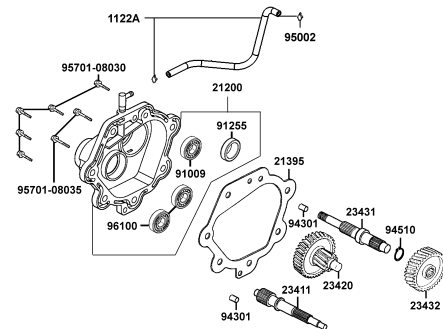
## E05 Transmission Pulley



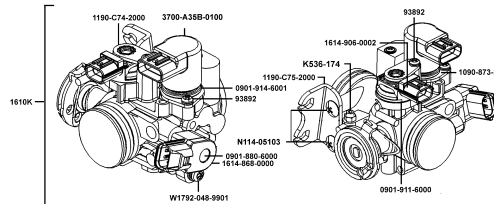
## E06 Starting Motor/Oil Pump



## E07 Transmission



## E08 Throttle Body

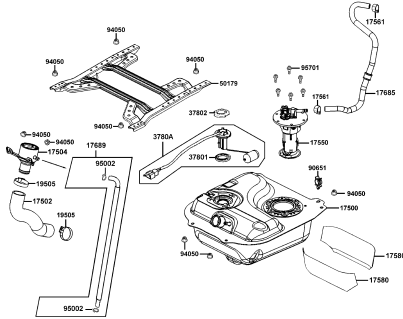




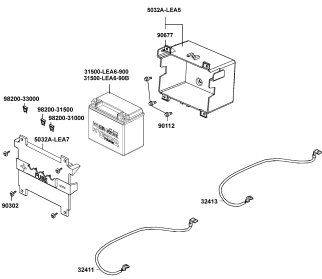


# CONTENTS - FRAME GROUP

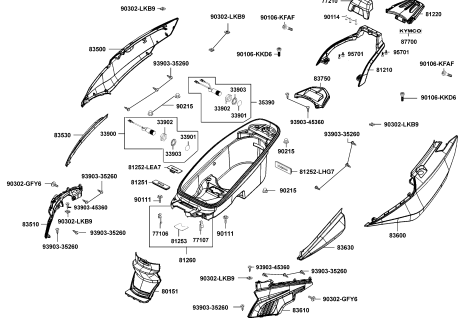
**F10 Fuel Tank**



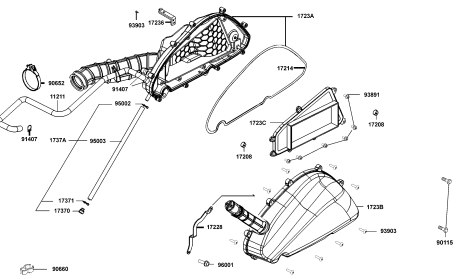
**F11 Battery**



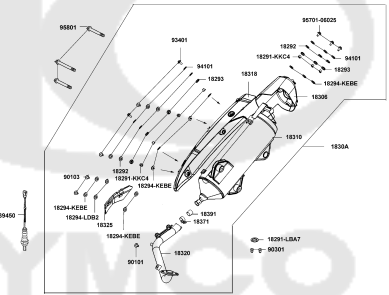
**F12 Body Cover/Luggage Box**



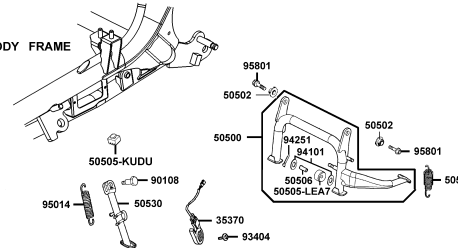
**F13 Air Cleaner**



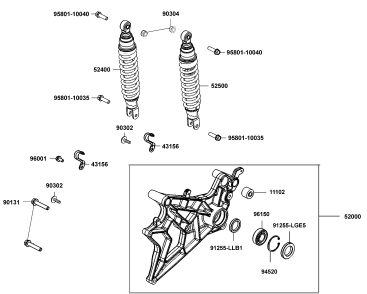
**F14 Exhaust Muffler**



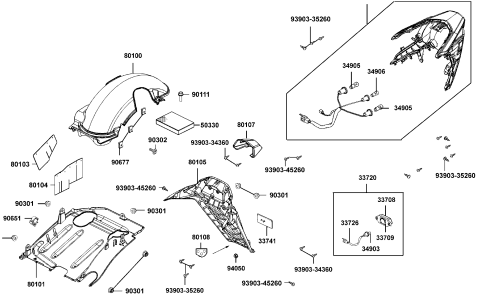
**F15 Stand/Kick Starter Arm**



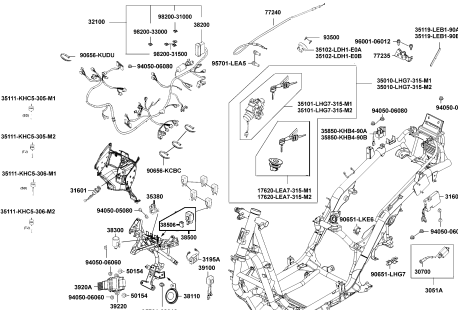
**F16 Rear Cushion**



**F17 Fender/Rear Tail Light**

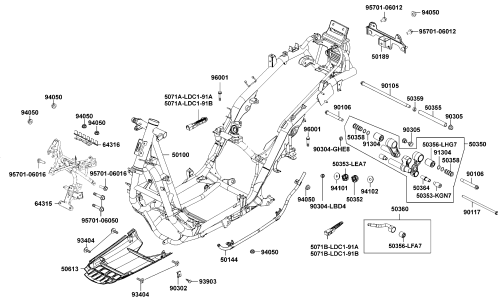


**F18 Wire Harness**

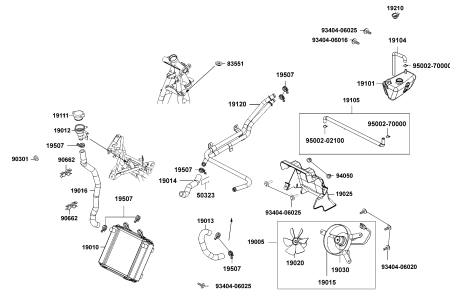


# CONTENTS - FRAME GROUP

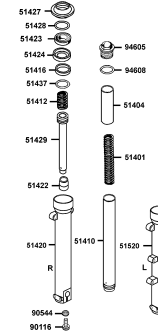
## F19 Frame Body



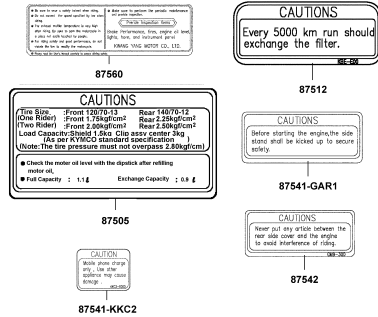
## F20 Radiator



## F21 Separated Parts Of Fr Fork



## F22 Caution Label

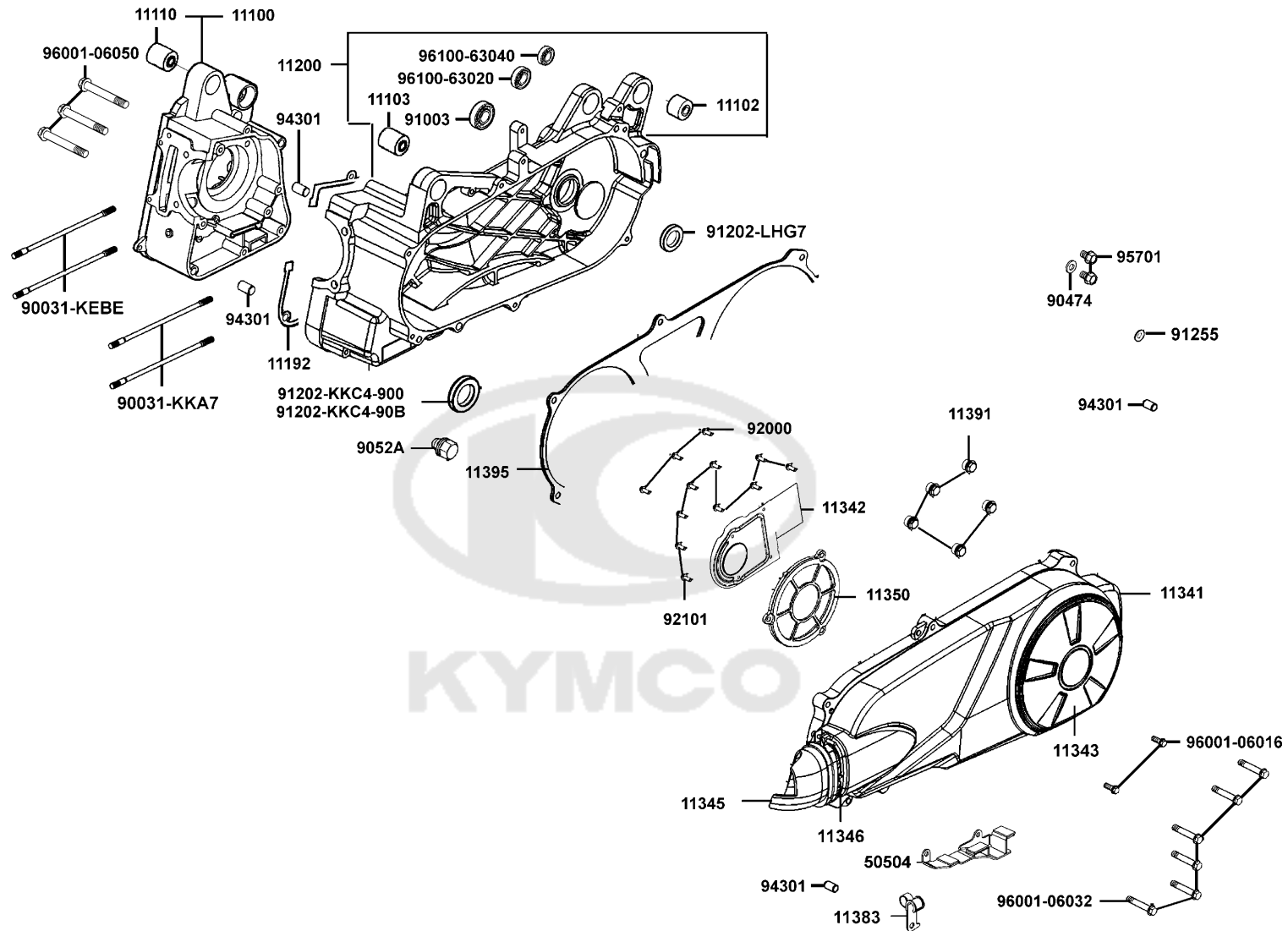


## F23 Emblem Stripe



E01

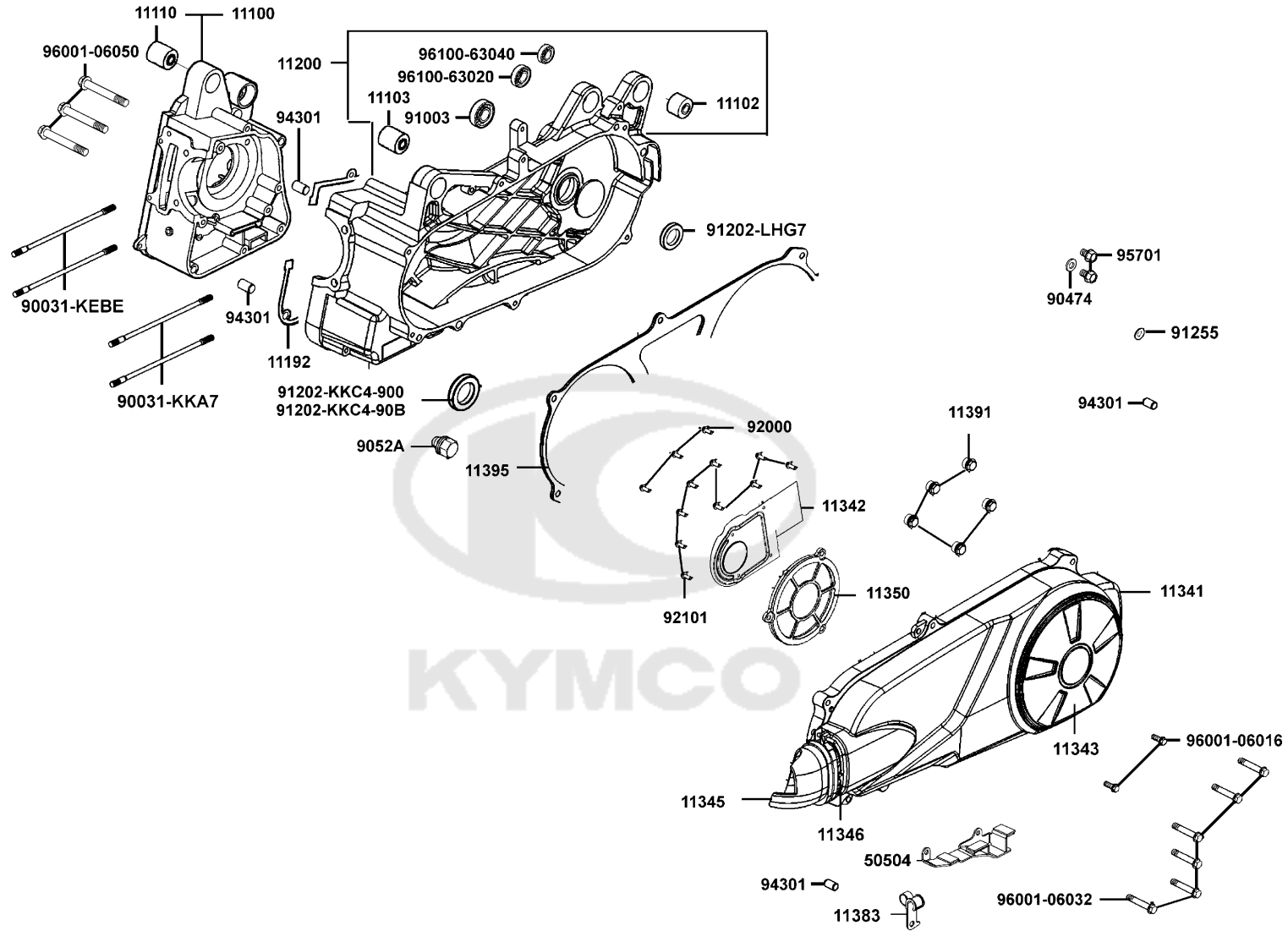
# Crank Case



Sales mark	Ref no	Part no	Description	Reg description	Regd no	E01
	11100	11100-LDB2-305	CASE SET R CRANK	CASE SET R CRANK	1	
	11102	11102-1G87-004	RUB BUSH ENG HANGER	RUB BUSH ENG HANGER	1	
	11103	11103-KHE7-900	RUB BUSH ENG HANGER	RUB BUSH ENG HANGER	1	
	11110	11110-LLJ3-E00	BUSH ASSY	BUSH ASSY	1	
	11192	11192-KHE7-900	GASKET CRANK CASE A	GASKET CRANK CASE A	1	
	11200	11200-KKC4-305	CRANK CASE SET L	CRANK CASE SET L	1	
**	11341	11341-LHG7-E00	COVER LEFT	COVER LEFT	1	
	11342	11342-LHG7-E00	PLATE L COVER	PLATE L COVER	1	
**	11343	11343-LHG7-E00	RR COVER L COVER	RR COVER L COVER	1	
	11345	11345-LHG7-E00	DUCT L COVER	DUCT L COVER	1	
	11346	11346-GFY6-901	BAND L COVER DUCT	BAND L COVER DUCT	1	
	11350	11350-LHG7-E00	ELEMENT COMP L COVER	ELEMENT COMP L COVER	1	
	11383	11383-KUDU-900	CLAMPER BREATHER DRAIN TUBE	CLAMPER BREATHER DRAIN TUBE	1	
	11391	11391-LHG7-E00	PACKING L COVER	PACKING L COVER	1	
	11395	11395-KHE7-900	GASKET L COVER @ A	GASKET L COVER @ A	1	
	50504	50504-LHG7-E00	STOPPER PLATE MAIN STAND	STOPPER PLATE MAIN STAND	1	
	90031-KEBE	90031-KEBE-900	BOLT A STUD 8MM	BOLT A STUD 8MM	2	
	90031-KKA7	90031-KKA7-900	BOLT A STUD 8MM	BOLT A STUD 8MM	2	
	90474	90474-3C33-001	WASHER 8MM	WASHER 8MM	1	
	9052A	9052A-GFY6-950	BOLT ASSY DRAIN PLUG	BOLT ASSY DRAIN PLUG	1	

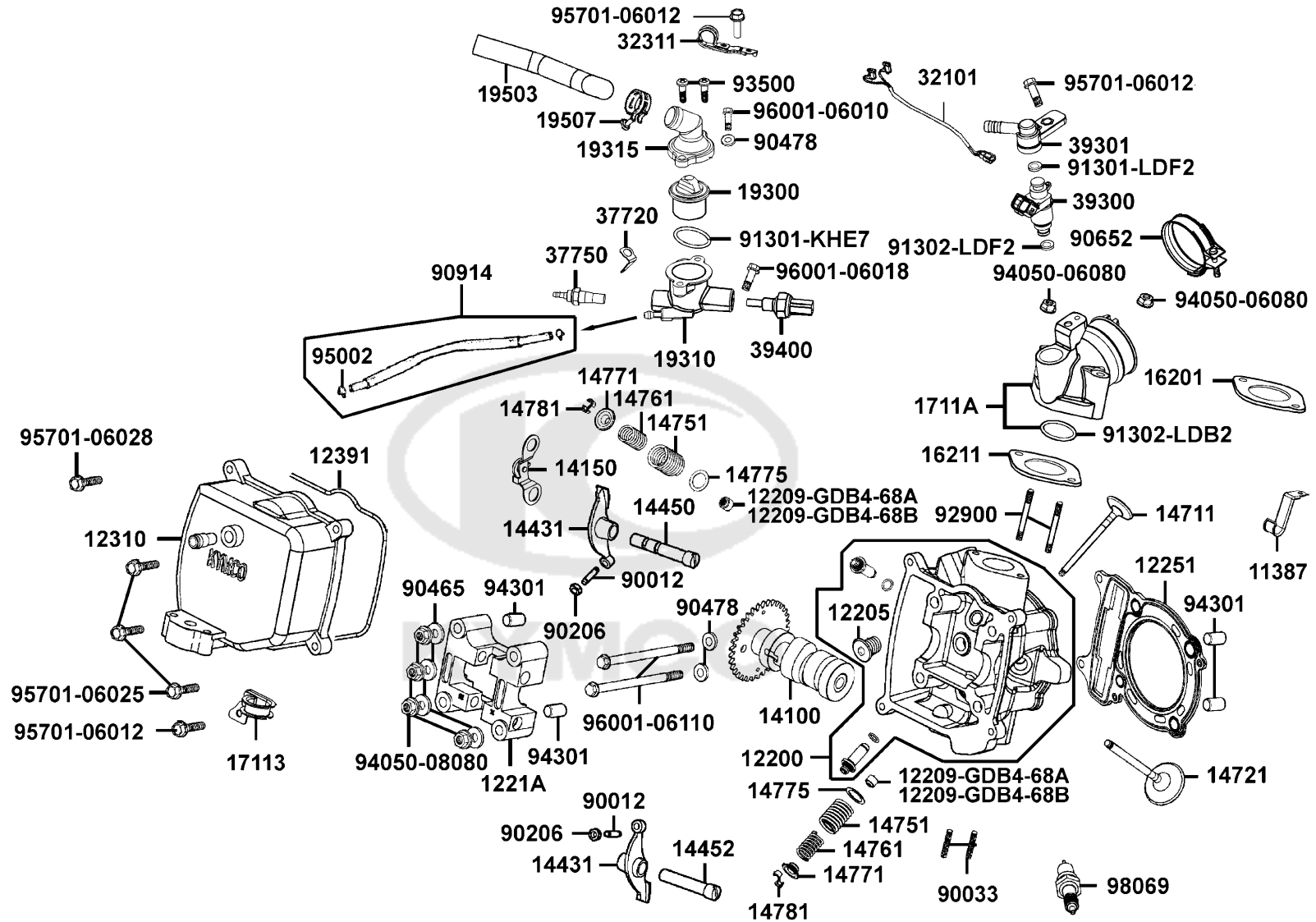
E01

# Crank Case



Sales mark	Ref no	Part no	Description	Reg description	Regd no	<b>E01</b>
91003		91003-KHE7-900	BRG BALL RADIAL TMB2/22CCS15	BRG BALL RADIAL TMB2/22CCS15	1	
91202-KKC4-900		91202-KKC4-900	OIL SEAL 27*42*7	OIL SEAL 27*42*7	1	
91202-KKC4-90B		91202-KKC4-90B	OIL SEAL 27X42X7	OIL SEAL 27X42X7	1	
91202-LHG7		91202-LHG7-E00	OIL SEAL 22X34X6	OIL SEAL 22X34X6	1	
91255		91255-KHE7-900	OIL SEAL 34*52*7	OIL SEAL 34*52*7	1	
92000		92000-05012-0H	BOLT HEX 5*12 (C)	BOLT HEX 5*12 (C)	3	
92101		92101-05008-0A	BOLT HEX 5*8	BOLT HEX 5*8	9	
94301		94301-10160	DOWEL PIN 10*16	DOWEL PIN 10*16	4	
95701		95701-08012-08	BOLT FLANGE 8X12	BOLT FLANGE 8X12	2	
96001-06016		96001-06016-08	BOLT FLANGE SH 6*16	BOLT FLANGE SH 6*16	2	
96001-06032		96001-06032-08	BOLT FLANGE 6*32	BOLT FLANGE 6*32	6	
96001-06050		96001-06050-08	BOLT FLANGE SH 6*50	BOLT FLANGE SH 6*50	3	
96100-63020		96100-63020-00	BRG BALL RADIAL 6302	BRG BALL RADIAL 6302	1	
96100-63040		96100-63040-00	BRG BALL RADIAL 6304	BRG BALL RADIAL 6304	1	

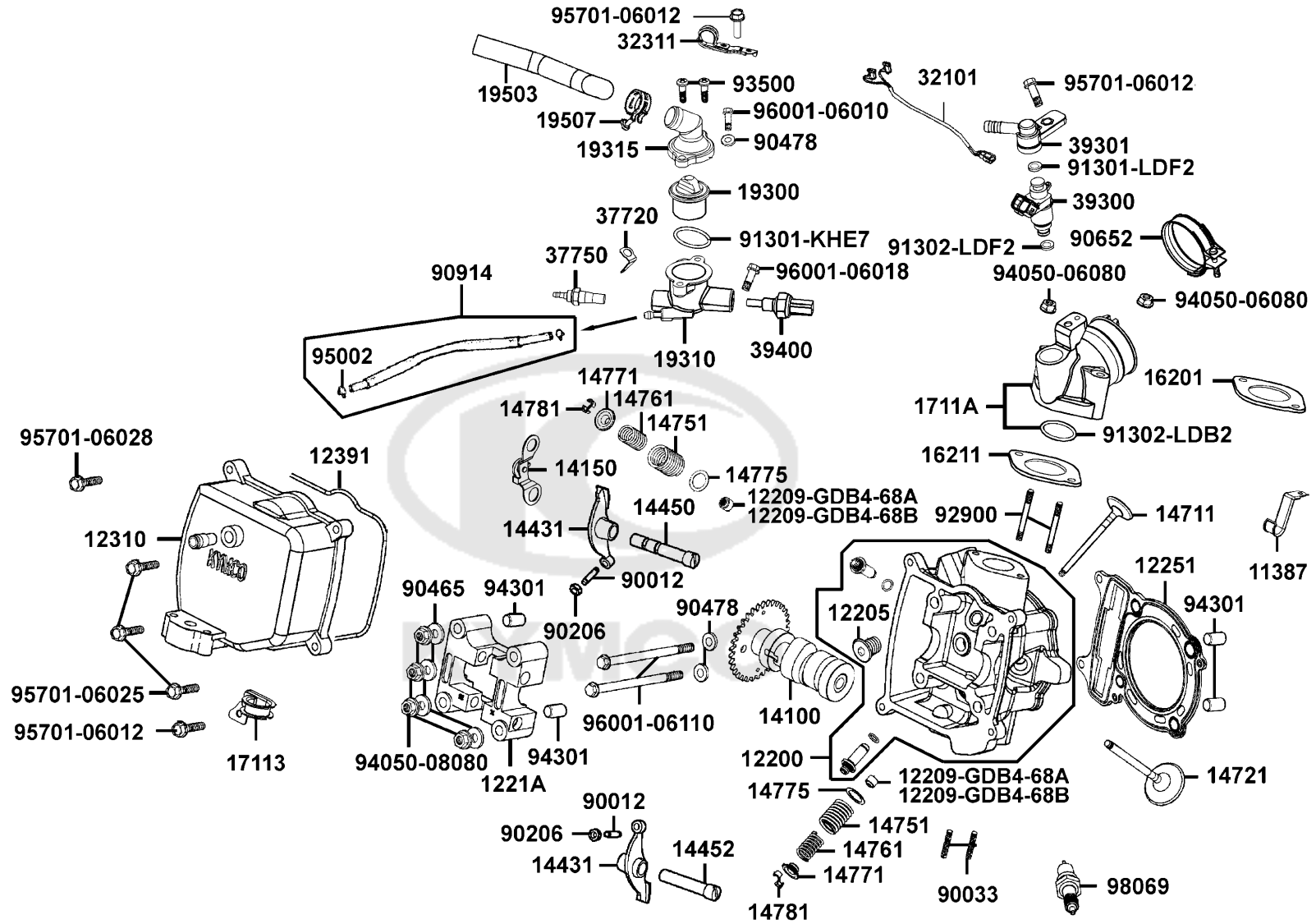
# Cylinder Head Cover Cylinder Head





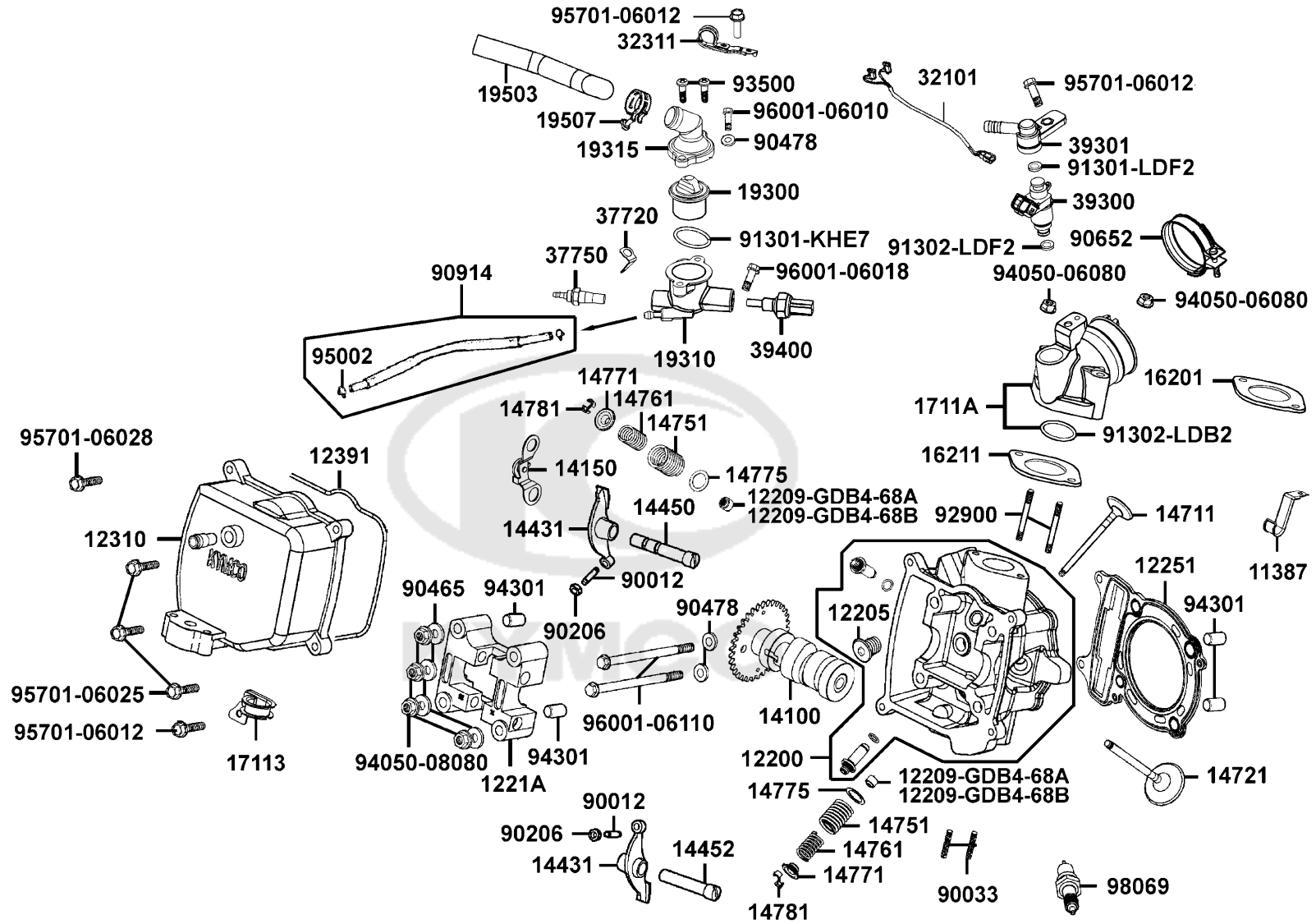
Sales mark	Ref no	Part no	Description	Reg description	Regd no	E02
	11387	11387-LHG7-E00	CLAMPER BREATHER TUBE	CLAMPER BREATHER TUBE	1	
	12200	12200-LHG7-E00	HEAD COMP CYLINDER	HEAD COMP CYLINDER	1	
	12205	12205-KHE8-301	BOLT SEALING 12MM	BOLT SEALING 12MM	1	
	12209-GDB4-68A	12209-GDB4-68A	SEAL VALVE STEM	SEAL VALVE STEM	2	
	12209-GDB4-68B	12209-GDB4-68B	SEAL VALVE STEM	SEAL VALVE STEM	2	
	1221A	1221A-LDB2-E00	HOLDER COMP CAM SHAFT	HOLDER COMP CAM SHAFT	1	
	12251	12251-KHE7-901	GASKET CYLINDER HEAD	GASKET CYLINDER HEAD	1	
	12310	12310-LDB2-E00	COVER COMP CYLN HEAD	COVER COMP CYLN HEAD	1	
	12391	12391-LDB2-E00	GASKET HEAD COVER	GASKET HEAD COVER	1	
	14100	14100-LFG2-E00	SHAFT COMP CAM	SHAFT COMP CAM	1	
	14150	14150-LDB2-E00	PLATE COMP STOPPER	PLATE COMP STOPPER	1	
	14431	14431-LDB2-E00	ARM VALVE ROCKER	ARM VALVE ROCKER	2	
	14450	14450-KEBE-900	SHAFT COMP IN ROCKER ARM	SHAFT COMP IN ROCKER ARM	1	
	14452	14452-LDB2-E00	SHAFT EXH ROCKER ARM	SHAFT EXH ROCKER ARM	1	
	14711	14711-LFG2-E00	VALVE INLET	VALVE INLET	1	
	14721	14721-LFG2-E00	VALVE EXHAUST	VALVE EXHAUST	1	
	14751	14751-KHE7-900	SPG VALVE OUTER	SPG VALVE OUTER	2	
	14761	14761-KHE7-900	SPG VALVE INNER	SPG VALVE INNER	2	
	14771	14771-GDB4-680	RETAINER VALVE SPRING	RETAINER VALVE SPRING	2	
	14775	14775-MFA6-001	SEAT VALVE SPG	SEAT VALVE SPG	2	

# Cylinder Head Cover Cylinder Head



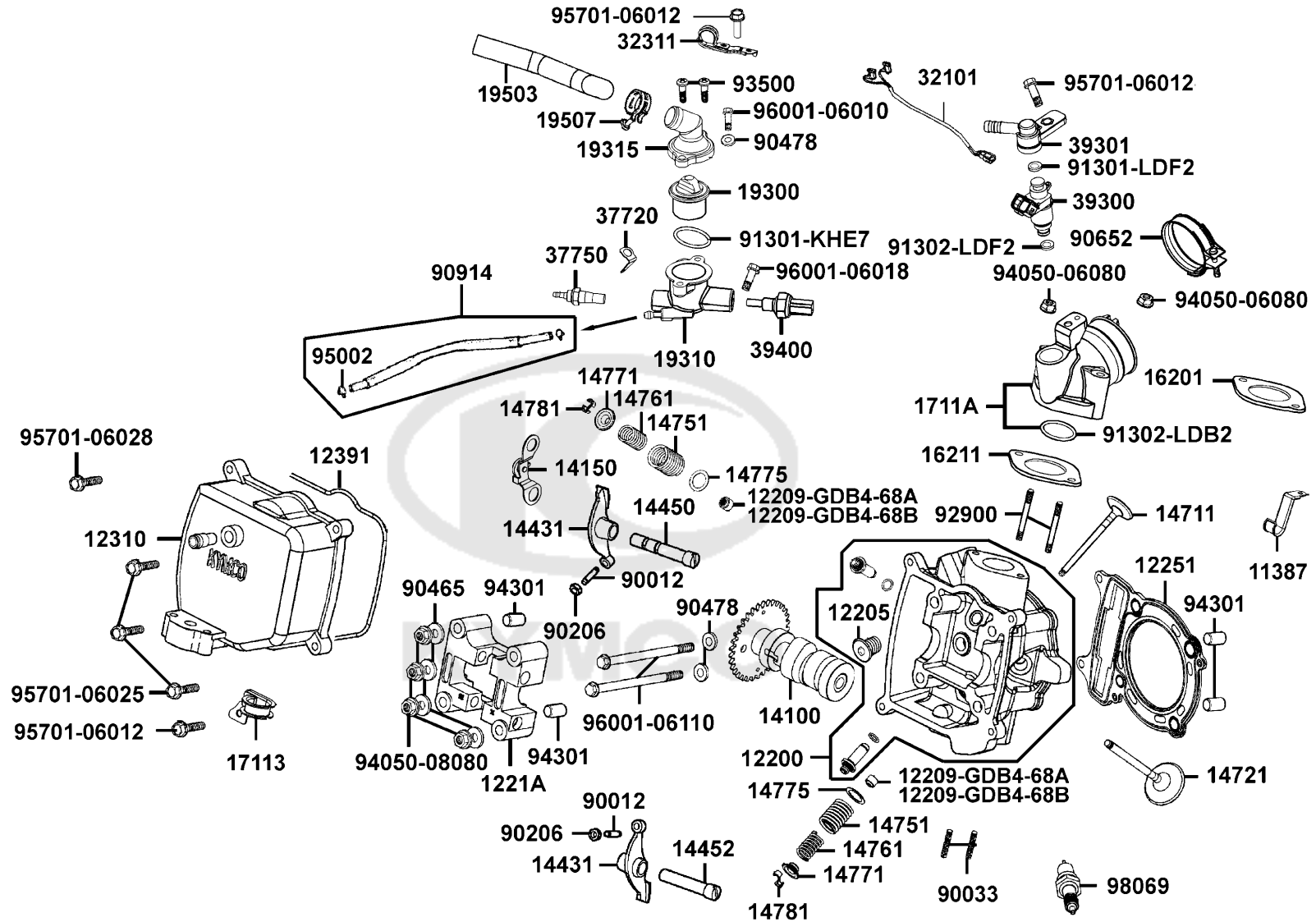
Sales mark	Ref no	Part no	Description	Reg description	Regd no	E02
14781		14781-MFA6-001	COTTER VALVE	COTTER VALVE	4	
16201		16201-LHG7-E00	GASKET INSULATOR	GASKET INSULATOR	1	
16211		16211-LDF2-900	INSULATOR CARB	INSULATOR CARB	1	
17113		17113-LHG7-E00	CLAMPER FUEL TUBE	CLAMPER FUEL TUBE	1	
1711A		1711A-LDF2-M90	PIPE ASSY INLET	PIPE ASSY INLET	1	
19300		19300-KAE1-004	THERMO STAT ASSY	THERMO STAT ASSY	1	
19310		19310-LDF2-900	CASE COMP THERMOSTAT	CASE COMP THERMOSTAT	1	
19315		19315-LHG7-E00	COVER THERMOSTAT	COVER THERMOSTAT	1	
19503		19503-LHG7-E00	HOSE C WATER	HOSE C WATER	1	
19507		19507-LDB5-E00	CLAMP D28	CLAMP D28	1	
32101		32101-LEA7-E00	SUB HARNESS THERMO UNIT	SUB HARNESS THERMO UNIT	1	
32311		32311-LHG7-E00	CLAMPER CORD	CLAMPER CORD	1	
37720		37720-KGB5-900	EARTH TERMINAL THERMO	EARTH TERMINAL THERMO	1	
37750		37750-PAC1-005	THERMO UNIT ASSY	THERMO UNIT ASSY	1	
39300		39300-LHG7-E00	INJECTOR FUEL	INJECTOR FUEL	1	
39301		39301-LDF2-M90	INJECTOR	INJECTOR	1	
39400		39400-LDF2-800	WATER TEMP SENSOR	WATER TEMP SENSOR	1	
90012		90012-3C33-001	SCREW TAPPET ADJUSTING	SCREW TAPPET ADJUSTING	2	
90033		90033-GFY6-900	BOLT STUD 8*32	BOLT STUD 8*32	2	
90206		90206-0A01-001	NUT TAPPET ADJG	NUT TAPPET ADJG	2	

# Cylinder Head Cover Cylinder Head



Sales mark	Ref no	Part no	Description	Reg description	Regd no	E02
	90465	90465-MDC4-001	WASHER 8MM	WASHER 8MM	4	
	90478	90478-7L00-001	WASHER A 6MM	WASHER A 6MM	3	
	90652	90652-GFY6-901	BAND 49 AIR/C CONNECTING TUBE	BAND 49 AIR/C CONNECTING TUBE	1	
	90914	90914-LHG7-E00	TUBE ASSY WATER	TUBE ASSY WATER	1	
	91301-KHE7	91301-KHE7-900	O-RING 17.8*1.9	O-RING 17.8*1.9	1	
	91301-LDF2	91301-LDF2-M90	O-RING 7.3*2.2	O-RING 7.3*2.2	1	
	91302-LDB2	91302-LDB2-E00	O-RING 37*3	O-RING 37*3	1	
	91302-LDF2	91302-LDF2-M90	SEAL RING	SEAL RING	1	
	92900	92900-06050-0B	BOLT STUD 6*50	BOLT STUD 6*50	2	
	93500	93500-05016-0H	SCREW PAN 5*16	SCREW PAN 5*16	2	
	94050-06080	94050-06080	NUT FLANGE 6MM	NUT FLANGE 6MM	2	
	94050-08080	94050-08080	NUT FLANGE 8MM	NUT FLANGE 8MM	4	
	94301	94301-10160	DOWEL PIN 10*16	DOWEL PIN 10*16	4	
	95002	95002-02070	CLIP B7 PORT TUBE	CLIP B7 PORT TUBE	2	
	95701-06012	95701-06012-08	BOLT FLANGE 6*12	BOLT FLANGE 6*12	3	
	95701-06025	95701-06025-08	BOLT FLANGE 6*25	BOLT FLANGE 6*25	3	
	95701-06028	95701-06028-08	BOLT FLANGE 86*28	BOLT FLANGE 86*28	1	
	96001-06010	96001-06010-00	BOLT FLANGE SH 6X10	BOLT FLANGE SH 6X10	1	
	96001-06018	96001-06018-08	BOLT FLANGE SH 6*18	BOLT FLANGE SH 6*18	1	
	96001-06110	96001-06110-08	BOLT FLANGE SH 6*110	BOLT FLANGE SH 6*110	2	

# Cylinder Head Cover Cylinder Head



Sales mark	Ref no	Part no	Description	Reg description	Regd no	<b>E02</b>
------------	--------	---------	-------------	-----------------	---------	------------

98069

98069-5691R-00

SPARK PLUG DPR(7EA-9)

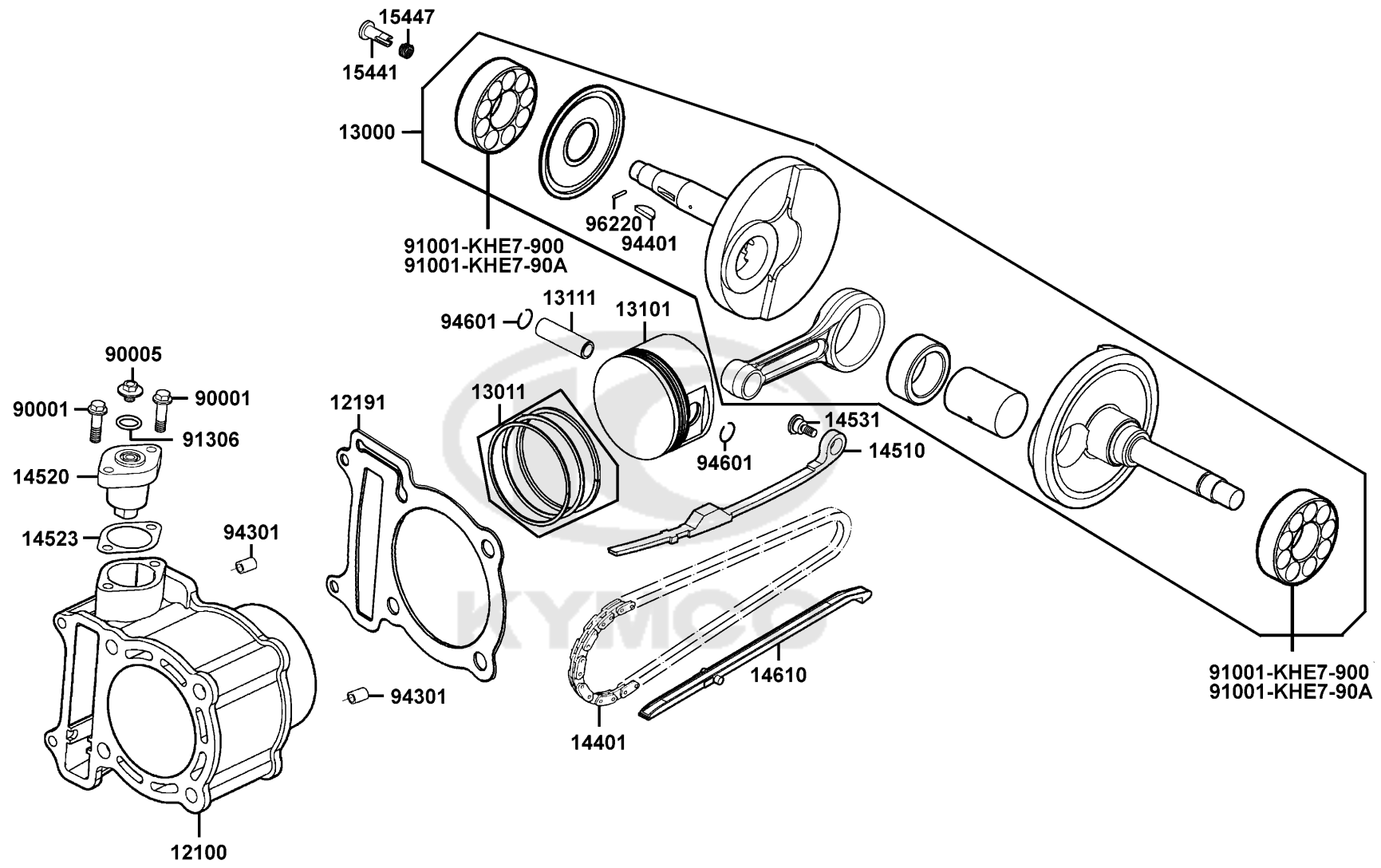
SPARK PLUG DPR(7EA-9)

1



E03

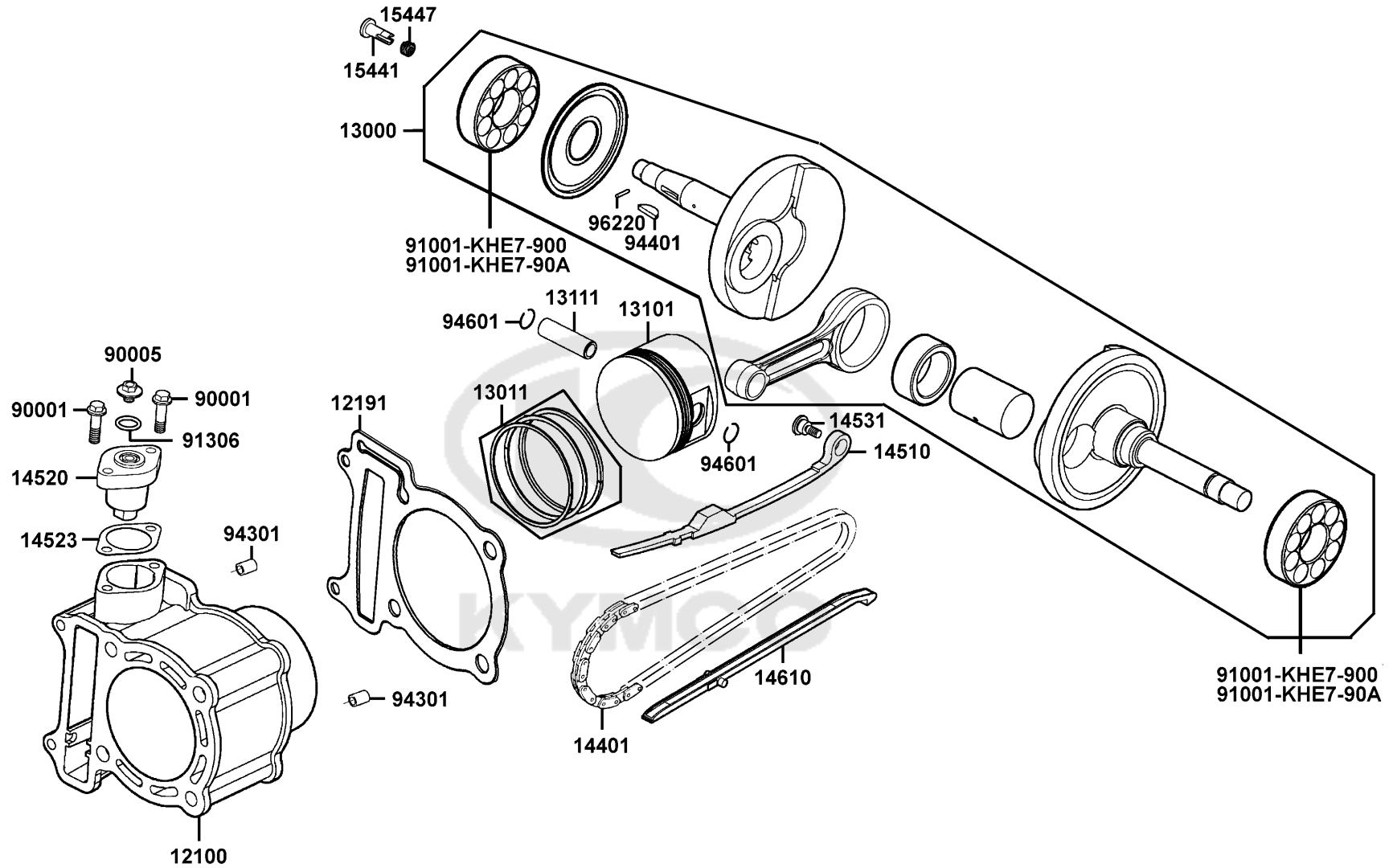
# Cylinder Piston Crankshaft





Sales mark	Ref no	Part no	Description	Reg description	Regd no	E03
	12100	12100-LDE9-E00	CYLINDER COMP	CYLINDER COMP	1	
	12191	12191-KHE7-910	GASKET CYLINDER	GASKET CYLINDER	1	
	13000	13000-LFG2-E00	CRANK SHAFT COMP	CRANK SHAFT COMP	1	
	13011	13011-LHG7-E00	RING ASSY PISTON	RING ASSY PISTON	1	
	13101	13101-LHG7-E00	PISTON	PISTON	1	
	13111	13111-LDB2-E00	PIN PISTON	PIN PISTON	1	
	14401	14401-LDE9-E00	CHAIN CAM	CHAIN CAM	1	
	14510	14510-LDE9-E00	TENSIONER CAM CHAIN	TENSIONER CAM CHAIN	1	
	14520	14520-GFY6-90A	LIFTER ASSY TENSIONER	LIFTER ASSY TENSIONER	1	
	14523	14523-KED9-900	GASKET TENSIONER LIFTER	GASKET TENSIONER LIFTER	1	
	14531	14531-KHE7-900	PIVOT CAM CHAIN TENSIONER	PIVOT CAM CHAIN TENSIONER	1	
	14610	14610-LDE9-E00	GUIDE COMP CAM CHAIN	GUIDE COMP CAM CHAIN	1	
	15441	15441-1K49-001	OIL THROUGH	OIL THROUGH	1	
	15447	15447-1K49-001	SPG OIL THROUGH	SPG OIL THROUGH	1	
	90001	90001-GBHB-661	BOLT FLANGE SH 6*22	BOLT FLANGE SH 6*22	2	
	90005	90005-KEC8-900	BOLT SPECIAL 6*6	BOLT SPECIAL 6*6	1	
	91001-KHE7-900	91001-KHE7-900	BRG BALL RADIAL TMB307JR2CS19	BRG BALL RADIAL TMB307JR2CS19	2	
	91001-KHE7-90A	91001-KHE7-90A	BRG BALL RADIAL TMB307JR2CS19	BRG BALL RADIAL TMB307JR2CS19	2	
	91306	91306-1E05-691	O-RING 1.5*9.5	O-RING 1.5*9.5	1	
	94301	94301-10160	DOWEL PIN 10*16	DOWEL PIN 10*16	2	

# Cylinder Piston Crankshaft



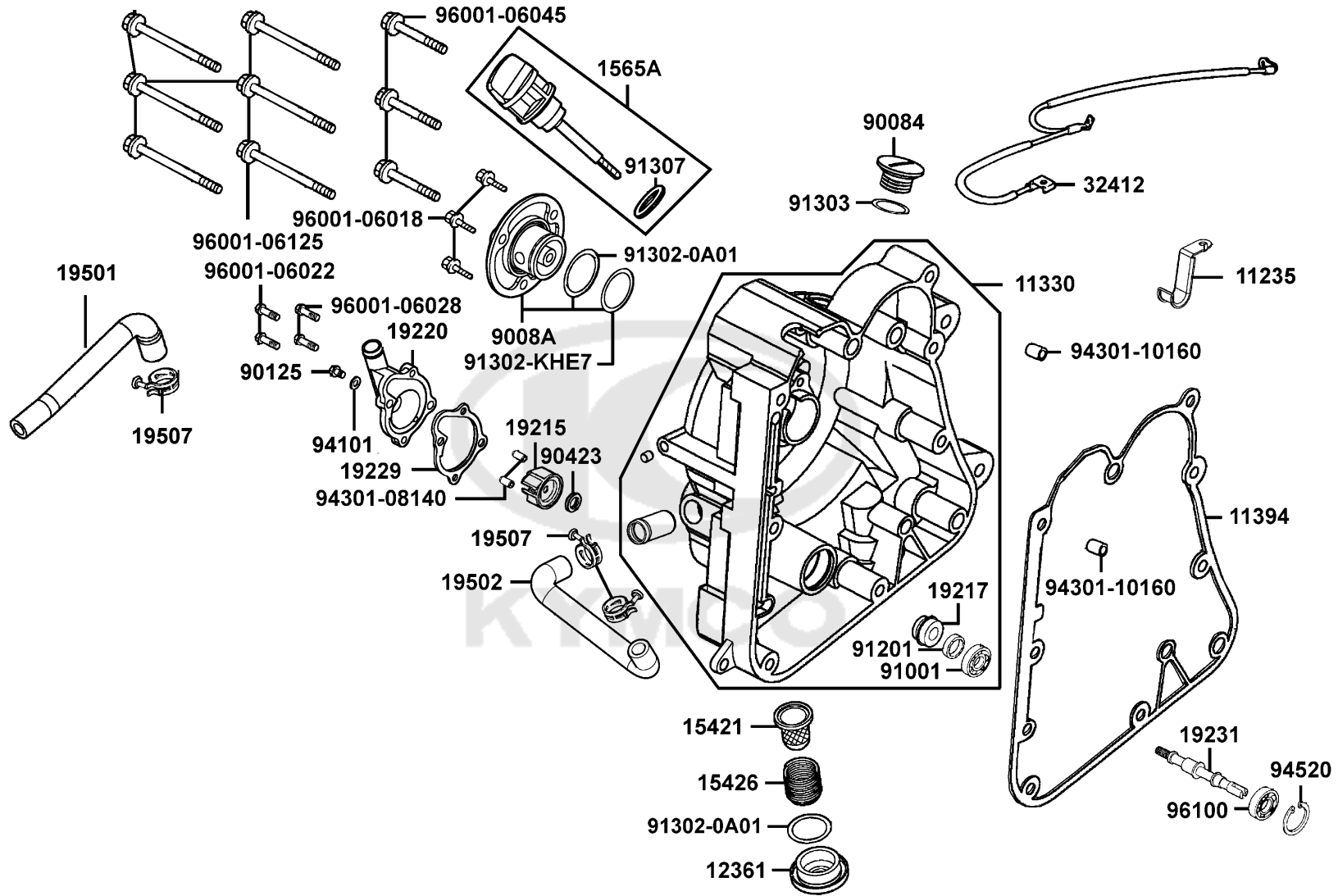
Sales mark	Ref no	Part no	Description	Reg description	Regd no	<b>E03</b>
------------	--------	---------	-------------	-----------------	---------	------------

94401		94401-25140	WOODRUFF KET 25*14	WOODRUFF KET 25*14	1	
94601		94601-17000	CLIP PISTON PIN 17MM	CLIP PISTON PIN 17MM	2	
96220		96220-20118	ROLLER 2*11.8	ROLLER 2*11.8	1	



E04

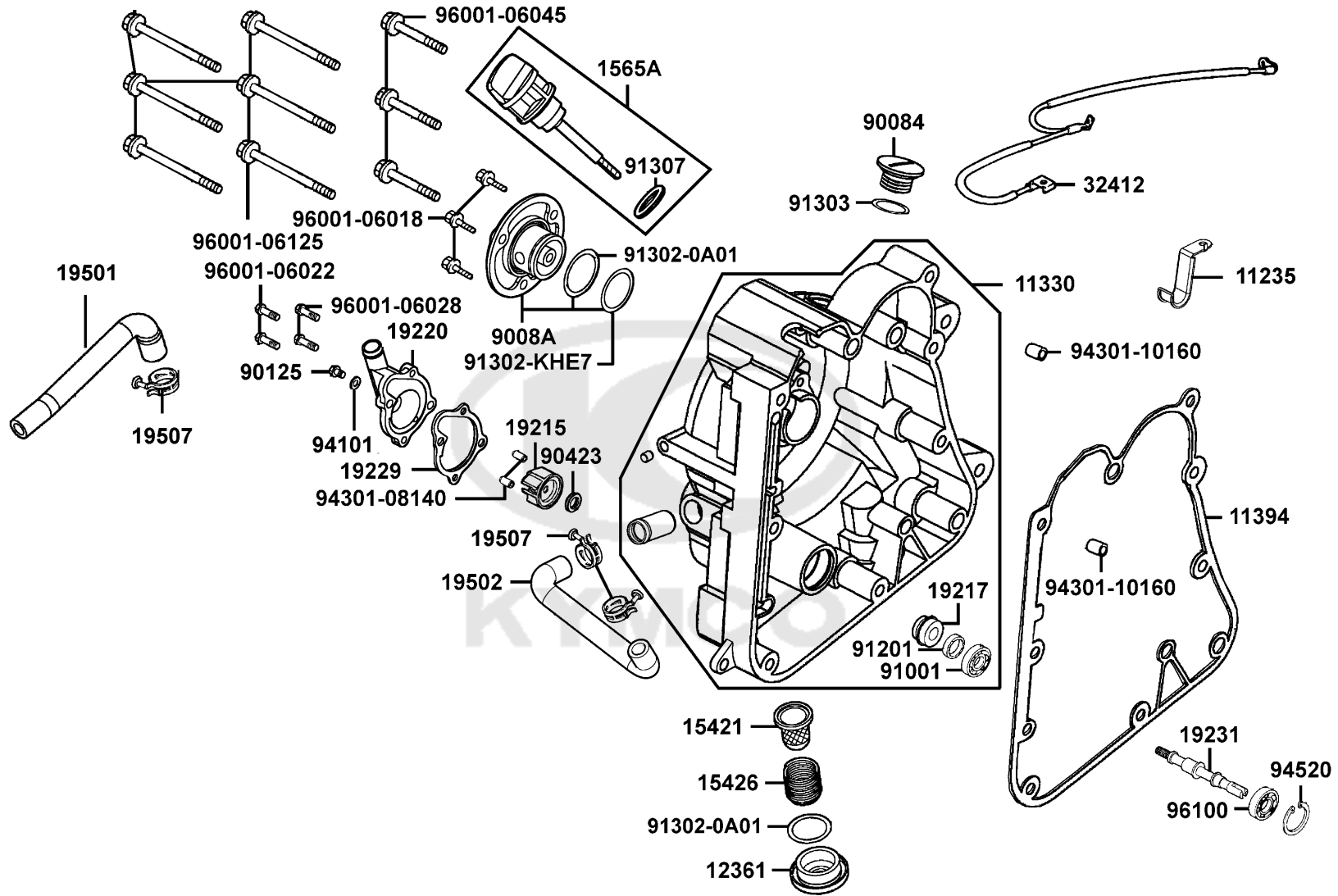
# Right Crankcase Cover Water Pump



Sales mark	Ref no	Part no	Description	Reg description	Regd no	<b>E04</b>
11235		11235-LHG7-E00	CLAMPER BRAKE WIRE	CLAMPER BRAKE WIRE	1	
11330		11330-KHE7-900	COVER COMP RIGHT	COVER COMP RIGHT	1	
11394		11394-KHE7-900	GASKET R COVER @ A	GASKET R COVER @ A	1	
11394		11394-KHE7-980	GASKET,R COVER @A	GASKET,R COVER @A	1	
12361		12361-GFY6-901	HOLE CAP TAPPET ADJUSTING	HOLE CAP TAPPET ADJUSTING	1	
15421		15421-1G07-001	SCREEN OIL FILTER	SCREEN OIL FILTER	1	
15426		15426-GAE1-921	SPG OIL FILTER SCREEN	SPG OIL FILTER SCREEN	1	
1565A		1565A-LHG7-E00	GUAGE OIL LEVEL ASSY.	GUAGE OIL LEVEL ASSY.	1	
19215		19215-LHG7-E00	IMPELLER WATER PUMP	IMPELLER WATER PUMP	1	
19217		19217-6G57-024	SEAL MECHANICAL	SEAL MECHANICAL	1	
19220		19220-LHG7-305	COVER ASSY WATER PUMP	COVER ASSY WATER PUMP	1	
19229		19229-KHE7-900	GASKET WATER PUMP	GASKET WATER PUMP	1	
19231		19231-KKJ9-011	SHAFT WATER PUMP	SHAFT WATER PUMP	1	
19501		19501-LHG7-E00	HOSE A WATER	HOSE A WATER	1	
19502		19502-KHE7-900	HOSE B WATER	HOSE B WATER	1	
19507		19507-LDB5-E00	CLAMP D28	CLAMP D28	3	
32412		32412-LKB9-900	CABLE EARTH	CABLE EARTH	1	
90084		90084-4H28-001	CAP ACG	CAP ACG	1	
9008A		9008A-KHE7-900	CAP ASSY R COVER	CAP ASSY R COVER	1	
90125		90125-LHG7-E00	BOLT 5*10	BOLT 5*10	1	

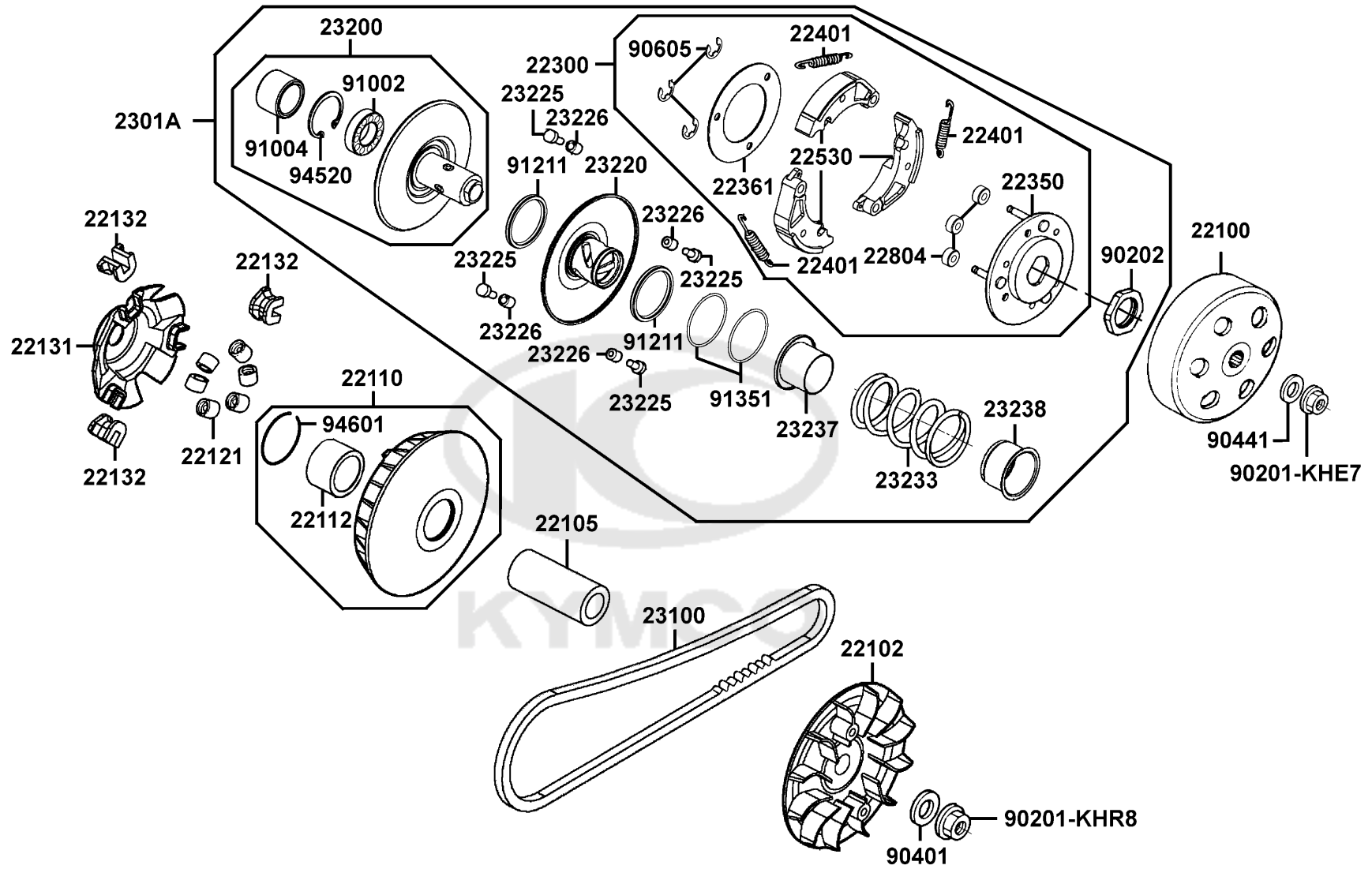
E04

# Right Crankcase Cover Water Pump



Sales mark	Ref no	Part no	Description	Reg description	Regd no	<b>E04</b>
90423		90423-KKJ9-001	WASHER 7.2*13*1.2	WASHER 7.2*13*1.2	1	
91001		91001-KKJ9-006	BRG BALL RADIAL 6901	BRG BALL RADIAL 6901	1	
91201		91201-KKJ9-004	OIL SEAL 12*20*4	OIL SEAL 12*20*4	1	
91302-0A01		91302-0A01-021	O-RING 30.8MM	O-RING 30.8MM	2	
91302-KHE7		91302-KHE7-900	O RING 27.4*2.1	O RING 27.4*2.1	1	
91303		91303-3G77-001	O-RING 13.8*2.5	O-RING 13.8*2.5	1	
91307		91307-0E35-001	O RING 18*3	O RING 18*3	1	
94101		94101-05800	WASHER PLAIN 5*12*0.8	WASHER PLAIN 5*12*0.8	1	
94301-08140		94301-08140	PIN A DOWEL 8*14	PIN A DOWEL 8*14	2	
94301-10160		94301-10160	DOWEL PIN 10*16	DOWEL PIN 10*16	2	
94520		94520-26000	CIR CLIP INTERAL 26MM	CIR CLIP INTERAL 26MM	1	
96001-06018		96001-06018-02	BOLT FLANGE 6X18	BOLT FLANGE 6X18	3	
96001-06022		96001-06022-08	BOLT FLANGE SH 6*22	BOLT FLANGE SH 6*22	2	
96001-06028		96001-06028-08	BOLT FLANGE SH 6*28	BOLT FLANGE SH 6*28	2	
96001-06045		96001-06045-08	BOLT FLANGE SH 6*45	BOLT FLANGE SH 6*45	3	
96001-06125		96001-06125-08	BOLT FLANGE 6*125	BOLT FLANGE 6*125	6	
96100		96100-60000-00	BEARING RADIAL BALL 600	BEARING RADIAL BALL 600	1	

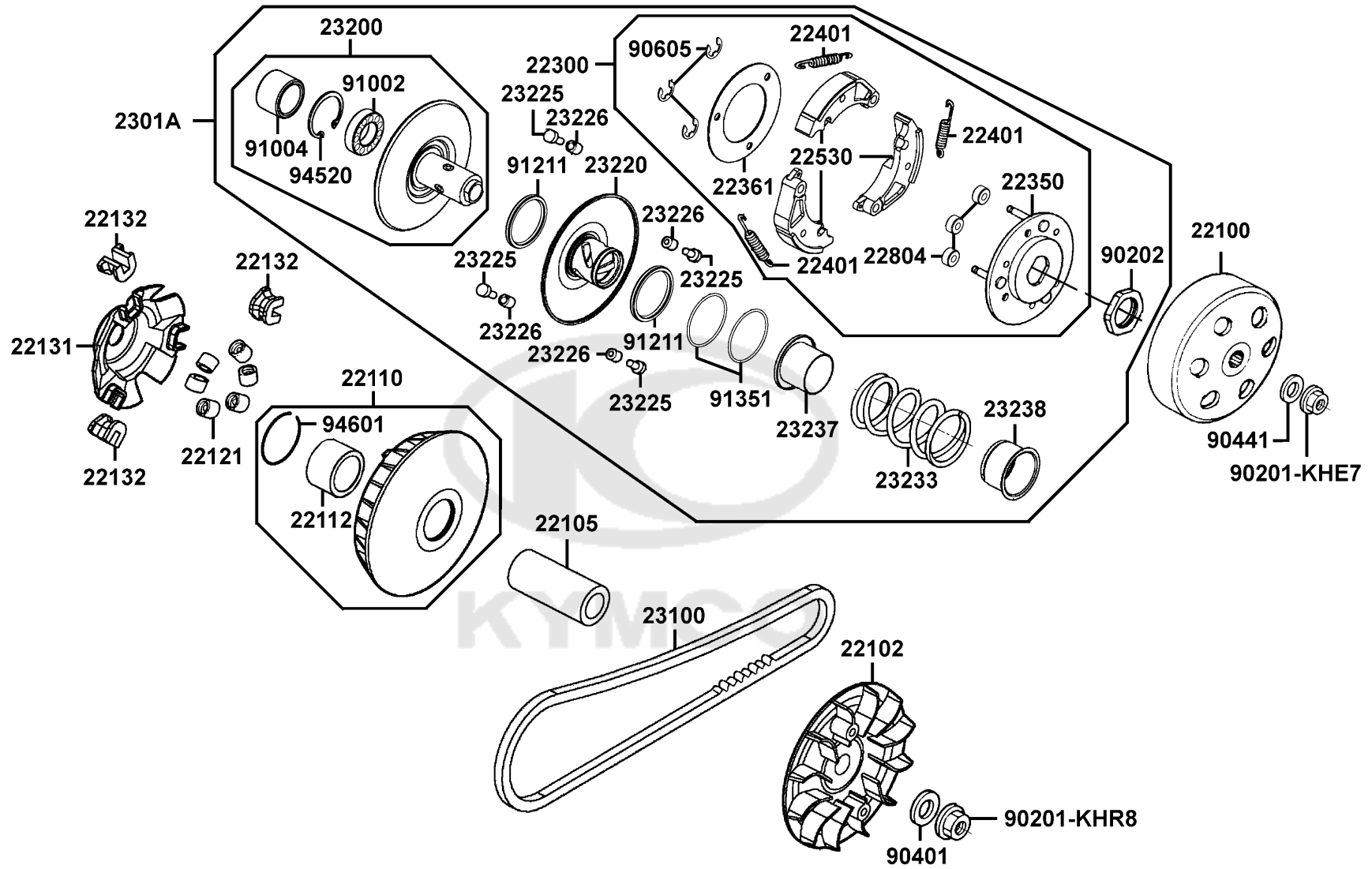
Transmission Pulley



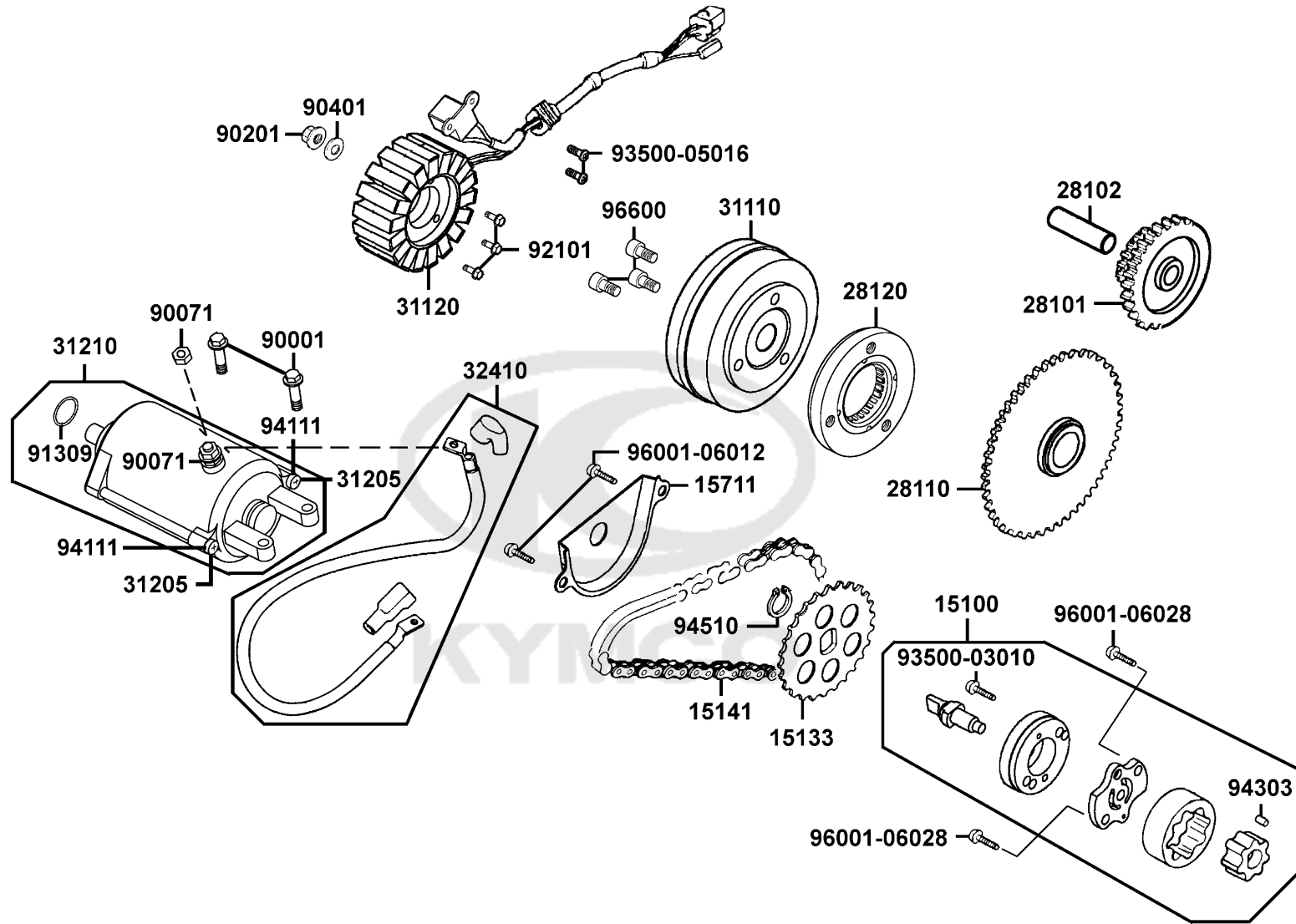


Sales mark	Ref no	Part no	Description	Reg description	Regd no	<b>E05</b>
22102		22102-KHE7-900	FACE DRIVE	FACE DRIVE	1	
22105		22105-LHG7-E00	BOSS DRIVE FACE	BOSS DRIVE FACE	1	
22110		22110-LFG1-E00	FACE COMP MOVABLE DRIVE	FACE COMP MOVABLE DRIVE	1	
22112		22112-KHE7-900	BUSH 27*33*37	BUSH 27*33*37	1	
22121		22121-KHE7-90A	ROLLER COMP WEIGHT	ROLLER COMP WEIGHT	6	
22131		22131-LBA7-900	PLATE RAMP	PLATE RAMP	1	
22132		22132-KHE7-900	PIECE SLIDE	PIECE SLIDE	3	
22300		22300-LHG7-900	PLATE ASSY ,DRIVE	PLATE ASSY ,DRIVE	1	
22350		22350-LHG7-900	PLATE COMP DRIVE	PLATE COMP DRIVE	1	
22361		22361-LHG7-900	PLATE CLUTCH SIDE	PLATE CLUTCH SIDE	1	
22401		22401-LHG7-900	SPRING. CLUTCH	SPRING. CLUTCH	3	
22530		22530-LHG7-900	WEIGHT CLUTCH	WEIGHT CLUTCH	3	
22804		22804-GBB2-001	RUBBER CLUTCH DUMRER	RUBBER CLUTCH DUMRER	3	
2301A		2301A-LHG7-900	PULLEY SUB. ASSY.	PULLEY SUB. ASSY.	1	
23100		23100-LHG7-E00	BELT DRIVE	BELT DRIVE	1	
23200		23200-LHG7-900	FACE ASSY DRIVEN	FACE ASSY DRIVEN	1	
23220		23220-LHG7-900	FACE COMP MOVABLE DRIVEN	FACE COMP MOVABLE DRIVEN	1	
23225		23225-KHE7-900	PIN ROLLER GUIDE	PIN ROLLER GUIDE	4	
23226		23226-GHC8-004	ROLLER GUIDE	ROLLER GUIDE	4	
23233		23233-LEA7-E00	SPG.DRIVEN FACE	SPG.DRIVEN FACE	1	

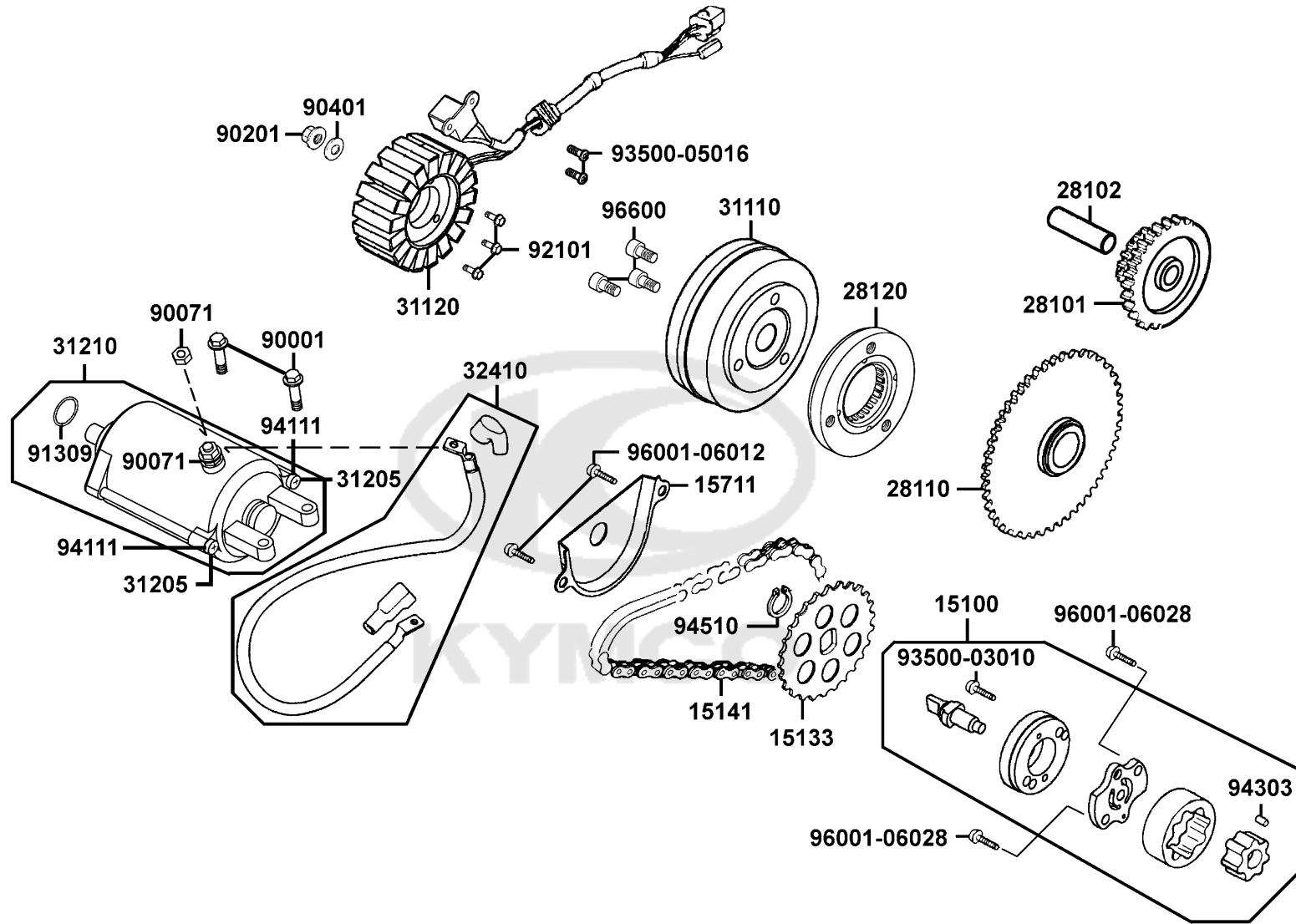
Transmission Pulley




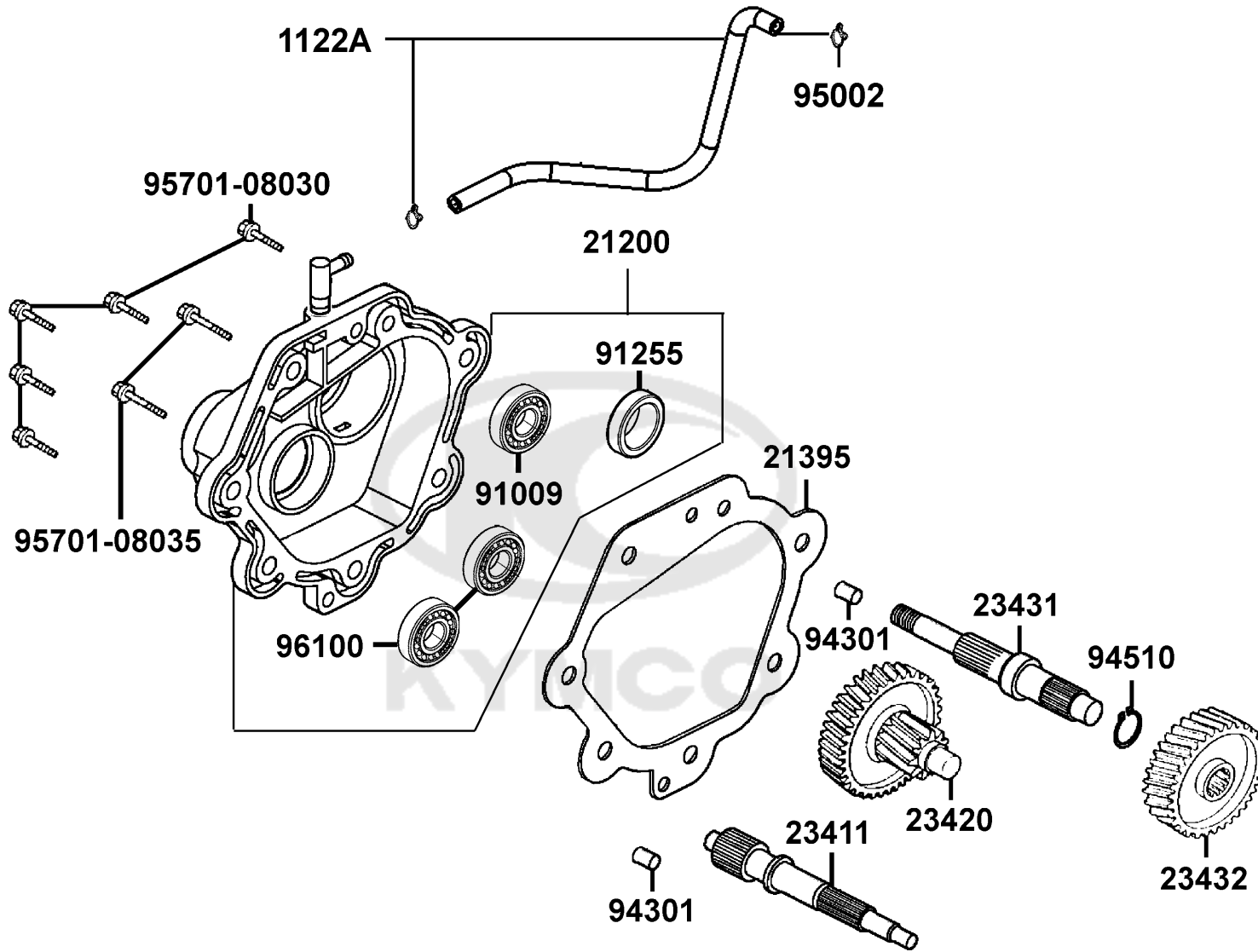
Sales mark	Ref no	Part no	Description	Reg description	Regd no	<b>E05</b>
23237		23237-KHE7-900	COLLAR SEAL	COLLAR SEAL	1	
23238		23238-KHE7-900	COLLAR SPG	COLLAR SPG	1	
90201-KHE7		90201-KHE7-900	NUT C FLANGE M12	NUT C FLANGE M12	1	
90201-KHR8		90201-KHR8-75A	NUT FLANGE 14MM	NUT FLANGE 14MM	1	
90202		90202-LHG7-900	NUT SPECIAL 30MM	NUT SPECIAL 30MM	1	
90401		90401-KKJ9-001	WASHER THRUST 14*28*2	WASHER THRUST 14*28*2	1	
90441		90441-KKC4-800	WASHER PLAIN 15.5*23*0.5	WASHER PLAIN 15.5*23*0.5	1	
90605		90605-1F66-721	CIR CLIP 7MM	CIR CLIP 7MM	3	
91002		91002-GGA7-70A	BRG BALL RADIAL 6902U 15*28*7	BRG BALL RADIAL 6902U 15*28*7	1	
91004		91004-KHE7-900	BRG NDL 22*29*18	BRG NDL 22*29*18	1	
91211		91211-KHE7-900	SEAL DRIVEN FACE	SEAL DRIVEN FACE	2	
91351		91351-KHE7-900	O-RING PINION CAP	O-RING PINION CAP	2	
94520		94520-28000	CIR CLIP IN 28MM	CIR CLIP IN 28MM	1	
94601		94601-33000	CLIP PISTON PIN 33MM	CLIP PISTON PIN 33MM	1	



Sales mark	Ref no	Part no	Description	Reg description	Regd no	E06
	15100	15100-KKC3-900	PUMP ASSY OIL	PUMP ASSY OIL	1	
	15133	15133-KAM1-001	SPRKT OIL PUMP DRIVEN	SPRKT OIL PUMP DRIVEN	1	
	15141	15141-KKJ9-004	CHAIN OIL PUMP	CHAIN OIL PUMP	1	
	15711	15711-KHE7-900	SEPARATER OIL	SEPARATER OIL	1	
	28101	28101-KHE7-900	GEAR STARTER REDUCTION	GEAR STARTER REDUCTION	1	
	28102	28102-KHE7-900	SHAFT STARTER REDUCTION	SHAFT STARTER REDUCTION	1	
	28110	28110-LDB2-E00	GEAR COMP STARTING CLUTCH	GEAR COMP STARTING CLUTCH	1	
	28120	28120-LDB2-E00	ONE WAY CLUTCH	ONE WAY CLUTCH	1	
	31110	31110-LHG7-E00	FLYWHEEL COMP	FLYWHEEL COMP	1	
	31120	31120-LHG7-E00	STATOR COMP	STATOR COMP	1	
	31205	31205-KKJ9-000	BOLT SET	BOLT SET	2	
	31210	31210-KHE7-90A	MOTOR UNIT STARTER	MOTOR UNIT STARTER	1	
	32410	32410-LHG7-E00	CABLE. START MOTOR	CABLE. START MOTOR	1	
	90001	90001-GBHB-661	BOLT FLANGE SH 6*22	BOLT FLANGE SH 6*22	2	
	90071	90071-MLB0-001	NUT WASH 6MM	NUT WASH 6MM	2	
	90201	90201-KHR8-75A	NUT FLANGE 14MM	NUT FLANGE 14MM	1	
	90401	90401-KKJ9-001	WASHER THRUST 14*28*2	WASHER THRUST 14*28*2	1	
	91309	91309-4E25-004	O-RING 24.4*3.1	O-RING 24.4*3.1	1	
	92101	92101-05032-0H	BOLT HEX 5*32	BOLT HEX 5*32	3	
	93500-03010	93500-03010-1A	SCREW PAN 3*12	SCREW PAN 3*12	1	

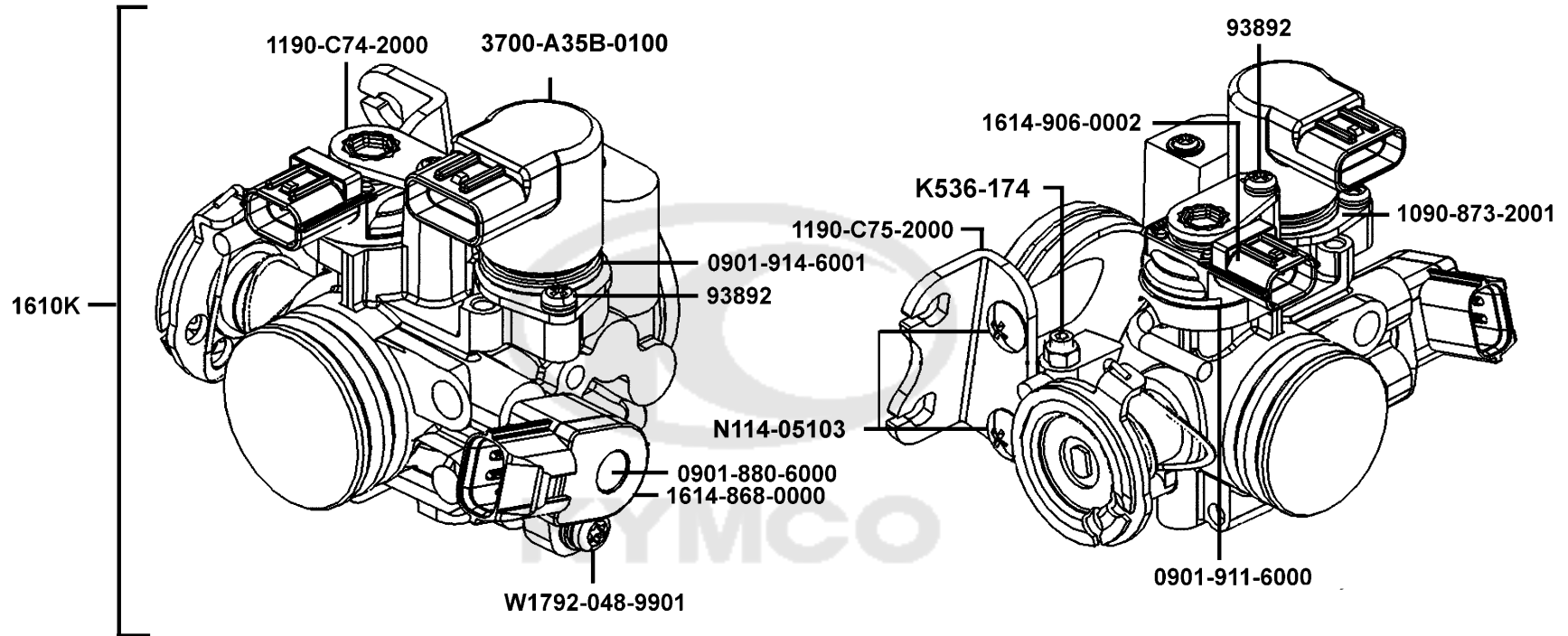


Sales mark	Ref no	Part no	Description	Reg description	Regd no	<b>E06</b>
	93500-05016	93500-05016-0H	SCREW PAN 5*16	SCREW PAN 5*16	2	
	94111	94111-05800	WASHER SPRING 5MM	WASHER SPRING 5MM	2	
	94303	94303-04065	PIN C DOWEL 4*6.5	PIN C DOWEL 4*6.5	1	
	94510	94510-10000	CIR EXTERNAL 10MM	CIR EXTERNAL 10MM	1	
	96001-06012	96001-06012-08	BOLT FLANGE SH 6*12	BOLT FLANGE SH 6*12	2	
	96001-06028	96001-06028-08	BOLT FLANGE SH 6*28	BOLT FLANGE SH 6*28	2	
	96600	96600-08015-10	BOLT SOCKET 8*15	BOLT SOCKET 8*15	3	
						





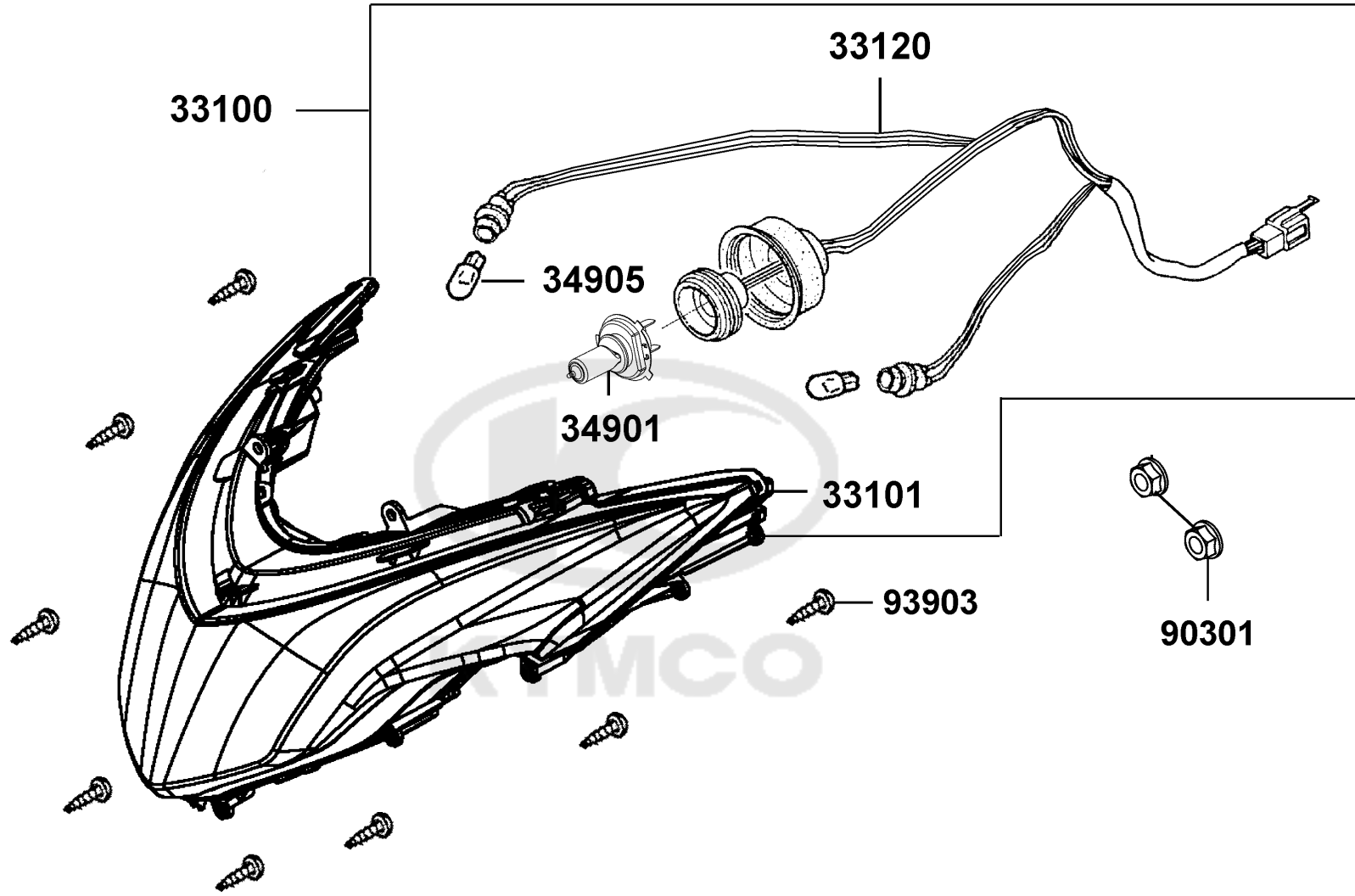
Sales mark	Ref no	Part no	Description	Reg description	Regd no	E07
1122A		1122A-LHG7-E00	TUBE ASSY MISSION BREATHER	TUBE ASSY MISSION BREATHER	1	
21200		21200-KHE7-305	CASE COMP MISSION	CASE COMP MISSION	1	
21395		21395-KHE7-900	GASKET MISSION COVER @ A	GASKET MISSION COVER @ A	1	
21395		21395-KHE7-980	GASKET MISSION COVER @A	GASKET MISSION COVER @A	1	
23411		23411-KHE7-900	SHAFT DRIVE	SHAFT DRIVE	1	
23411		23411-LHG7-910	SHAFT DRIVE	SHAFT DRIVE	1	
23420		23420-LHG7-E00	SHAFT COMP., COUNTER	SHAFT COMP., COUNTER	1	
23431		23431-KHE7-900	SHAFT FINAL	SHAFT FINAL	1	
23432		23432-LHG7-E00	GEAR, FINAL	GEAR, FINAL	1	
91009		91009-KHE7-900	BRG BALL RADIAL 6205LLU	BRG BALL RADIAL 6205LLU	1	
91255		91255-KHE7-900	OIL SEAL 34*52*7	OIL SEAL 34*52*7	1	
94301		94301-10160	DOWEL PIN 10*16	DOWEL PIN 10*16	2	
94510		94510-25000	CIR CLIP EX 25	CIR CLIP EX 25	1	
95002		95002-50000	CLIP C9 TUBE	CLIP C9 TUBE	2	
95701-08030		95701-08030-08	BOLT FLANGE 8*30	BOLT FLANGE 8*30	5	
95701-08035		95701-08035-08	BOLT FLANGE 8*35	BOLT FLANGE 8*35	2	
96100		96100-63020-00	BRG BALL RADIAL 6302	BRG BALL RADIAL 6302	2	



Sales mark	Ref no	Part no	Description	Reg description	Regd no	<b>E08</b>
	0901-880-6000	0901-880-6000	O-RING/TPS	O-RING/TPS	1	
	0901-911-6000	0901-911-6000	O-RING	O-RING	1	
	0901-914-6001	0901-914-6001	O-RING	O-RING	1	
	1090-873-2001	1090-873-2001	SET PLATE	SET PLATE	1	
	1190-C74-2000	1190-C74-2000	STAY PLATE	STAY PLATE	1	
	1190-C75-2000	1190-C75-2000	BRACKET / THROTTLE CABLE	BRACKET / THROTTLE CABLE	1	
	1610K	1610K-LHG7-E00	THROTTLE BODY ASSY	THROTTLE BODY ASSY	1	
	1614-868-0000	1614-868-0000	THROTTLE POSITION SENSER	THROTTLE POSITION SENSER	1	
	1614-906-0002	1614-906-0002	MAP SENSOR	MAP SENSOR	1	
	3700-A35B-0100	3700-A35B-0100	ISC VALVE	ISC VALVE	1	
	93892	93892-04008-18	SCREW WASHER 4*8	SCREW WASHER 4*8	1	
	K536-174	K536-174-0200	SCREW SET	SCREW SET	1	
	N114-05103	N114-05103-3	SCREW WASHER	SCREW WASHER	2	
	W1792-048-9901	W1792-048-9901	SCREW TORX M5*0.8/TPS	SCREW TORX M5*0.8/TPS	1	

F01

Head Light

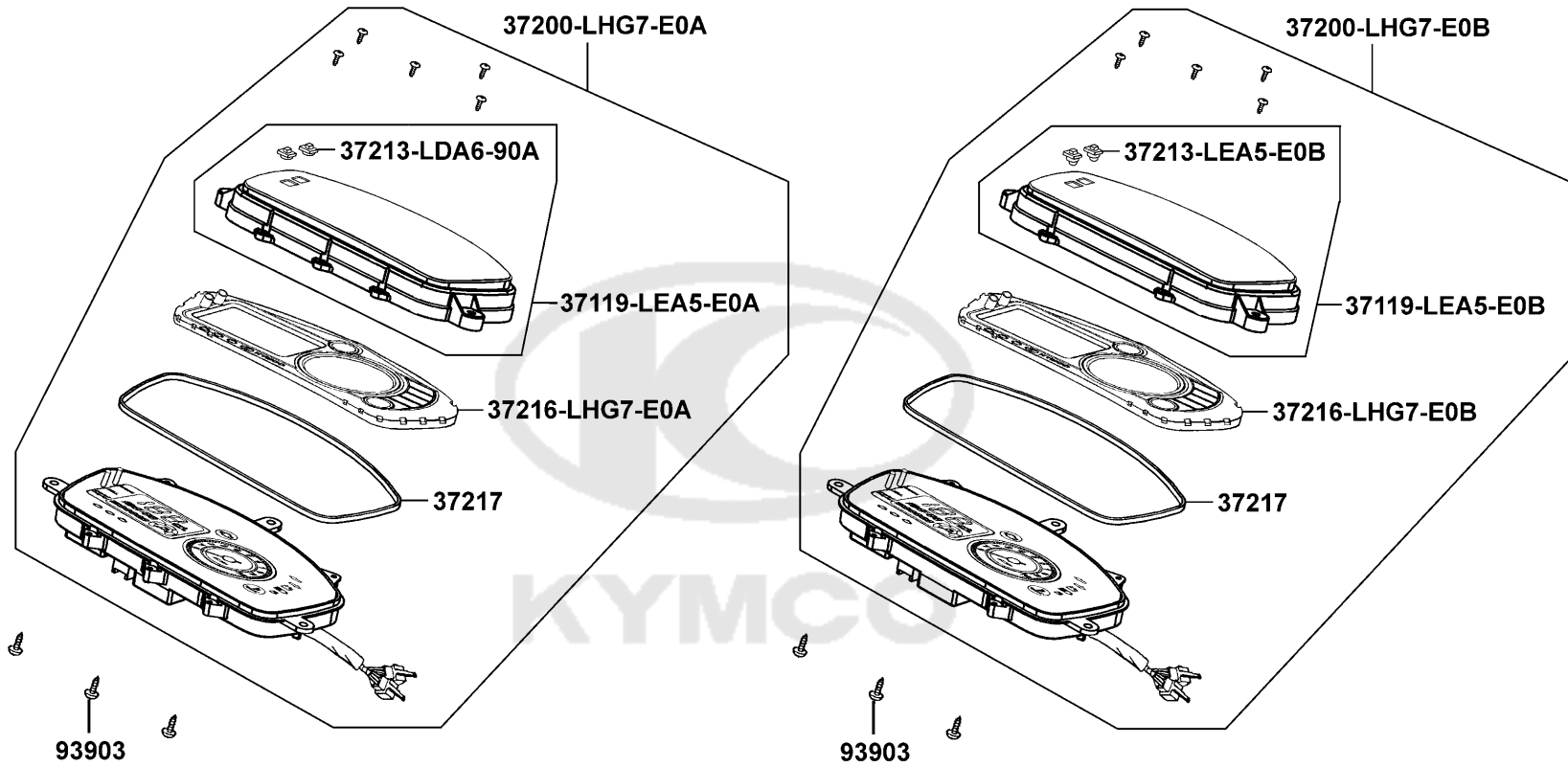


Sales mark	Ref no	Part no	Description	Reg description	Regd no	<b>F01</b>
	33100	33100-LHG7-E00	LIGHT ASSY.,FRONT COMB	LIGHT ASSY.,FRONT COMB	1	
	33101	33101-LHG7-E00	COMP HEAD LIGHT	COMP HEAD LIGHT	1	
	33120	33120-LHG7-E00	SOCKET COMP HEAD	SOCKET COMP HEAD	1	
	34901	34901-KED9-900	BULB HEAD LIGHT	BULB HEAD LIGHT	1	
	34905	34905-LHG7-E00	BULB 12V WY21W	BULB 12V WY21W	2	
	90301	90301-6D34-671	NUT FLANGE 6MM	NUT FLANGE 6MM	2	
	93903	93903-35260	SCREW TAPPING 5*12	SCREW TAPPING 5*12	8	



F02

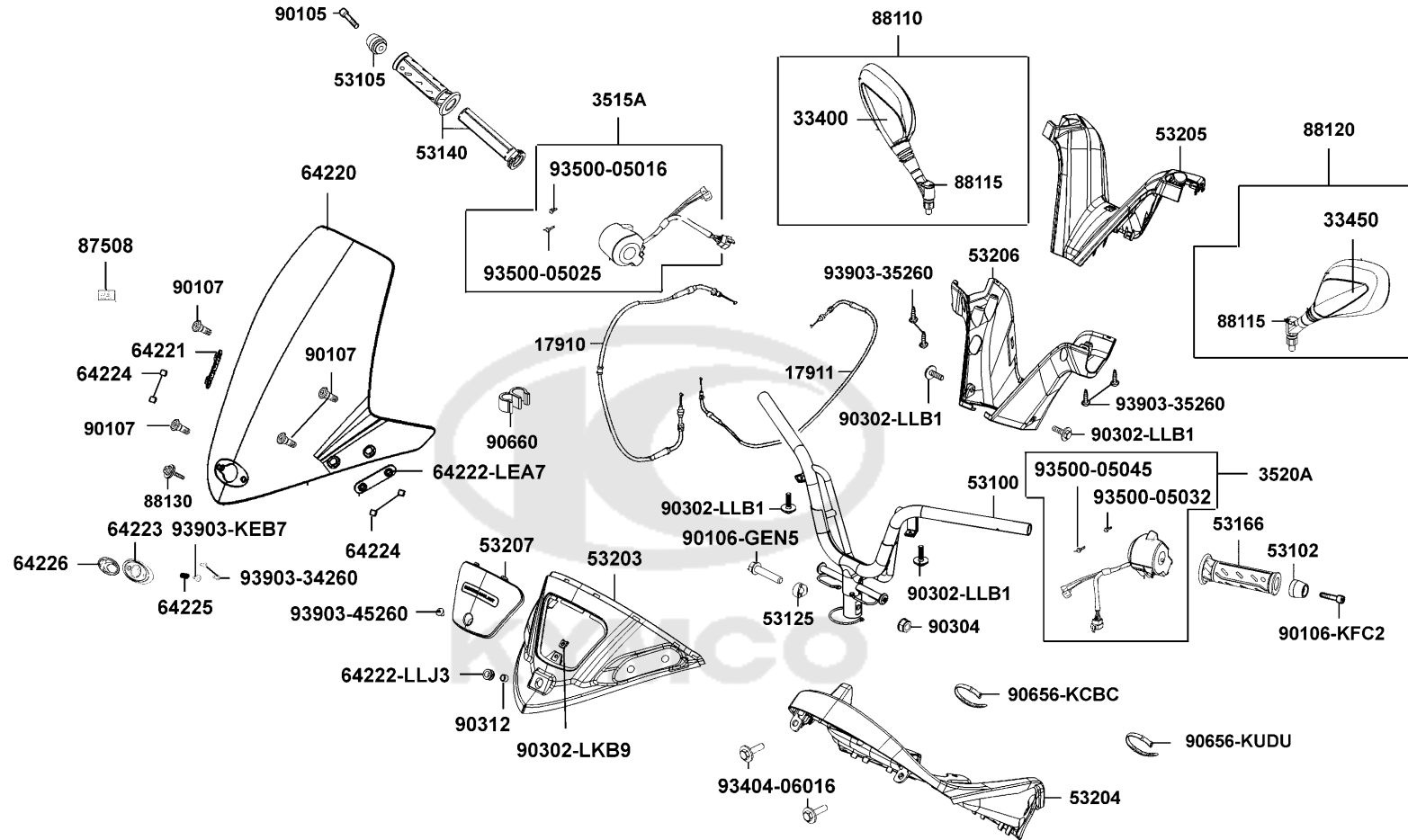
Speedometer



Sales mark	Ref no	Part no	Description	Reg description	Regd no	F02
	37119-LEA5-E0A	37119-LEA5-E0A	LENS ASSY	LENS ASSY	1	
	37119-LEA5-E0B	37119-LEA5-E0B	LENS ASSY	LENS ASSY	1	
	37200-LHG7-E0A	37200-LHG7-E0A	METER ASSY SPEED	METER ASSY SPEED	1	
	37200-LHG7-E0B	37200-LHG7-E0B	METER ASSY SPEED	METER ASSY SPEED	1	
	37213-LDA6-90A	37213-LDA6-90A	BUTTON RUBBER	BUTTON RUBBER	2	
	37213-LEA5-E0B	37213-LEA5-E0B	PACKING	PACKING	2	
	37216-LHG7-E0A	37216-LHG7-E0A	COSMETIC PALTE/D403	COSMETIC PALTE/D403	1	
	37216-LHG7-E0B	37216-LHG7-E0B	COSMETIC PLATE/D408	COSMETIC PLATE/D408	1	
	37217	37217-LEA5-E0A	PACKING A	PACKING A	1	
	93903	93903-25360	SCREW TAPPING 5*16	SCREW TAPPING 5*16	3	



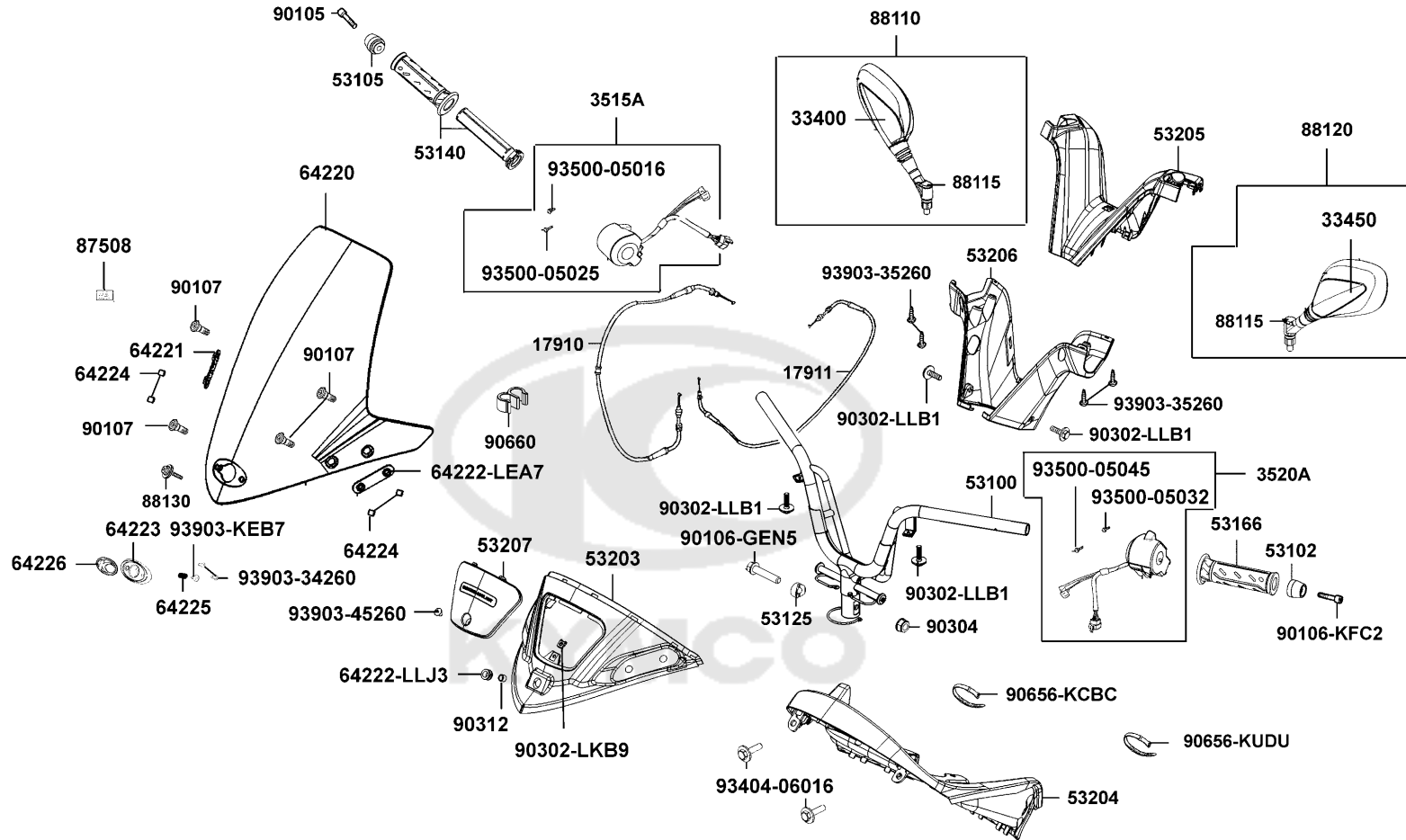
# Handle SteeringHandle Cover





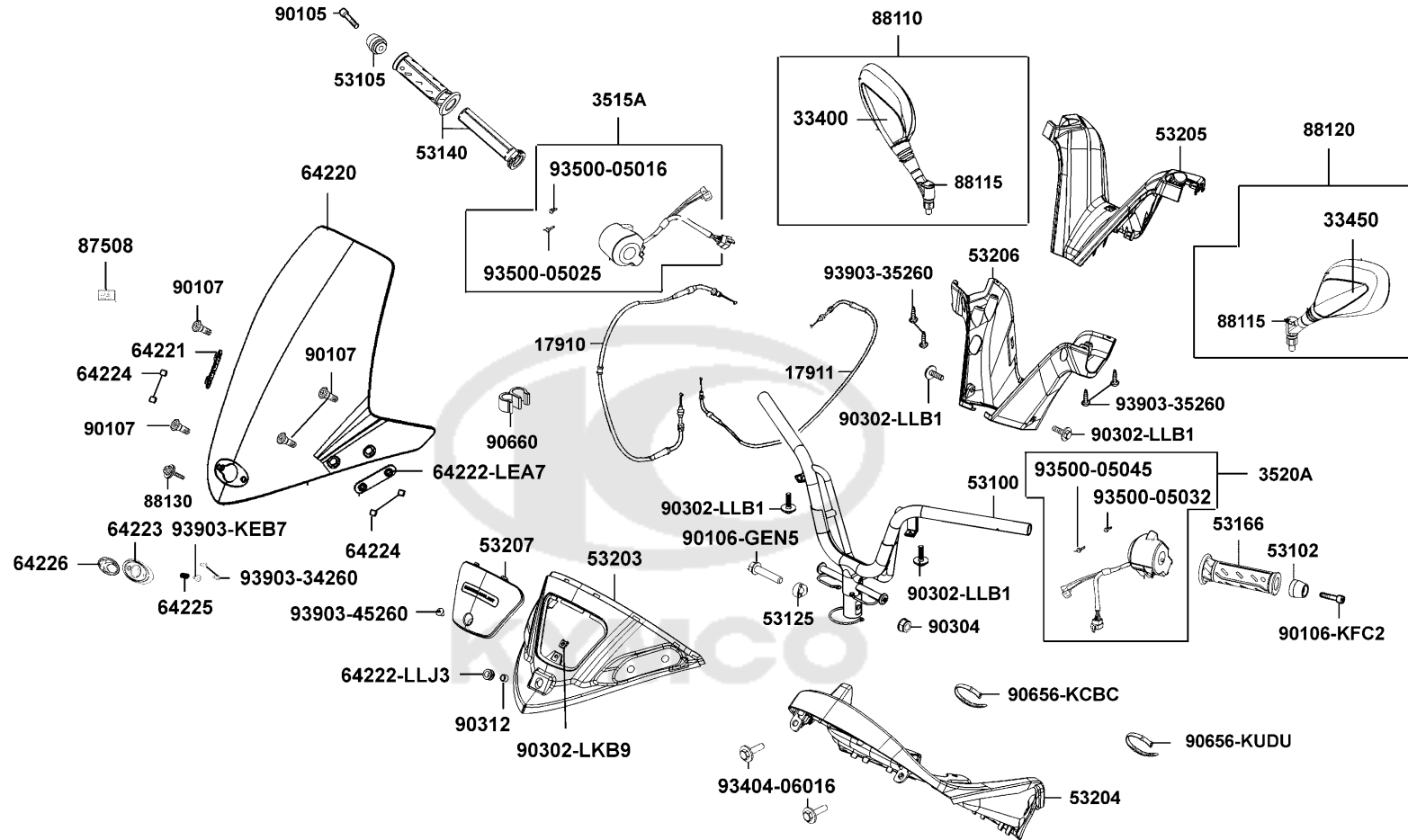
Sales mark	Ref no	Part no	Description	Reg description	Regd no	F03
	17910	17910-LHG7-E00	CABLE A COMP THROT	CABLE A COMP THROT	1	
	17911	17911-LHG7-E00	CABLE B COMP THORT	CABLE B COMP THORT	1	
	33400	33400-LHG7-E00	WINKER ASSY R MIRROR	WINKER ASSY R MIRROR	1	
	33450	33450-LHG7-E00	WINKER ASSY L MIRROR	WINKER ASSY L MIRROR	1	
	3515A	3515A-LHG7-E00	SW. ASSY.. RH. HANDLE COMP.	SW. ASSY.. RH. HANDLE COMP.	1	
	3520A	3520A-LHG7-E00	SW ASSY RH. HANDLE COMP	SW ASSY RH. HANDLE COMP	1	
	53100	53100-LHG7-E01	HANDLE COMP.,STRG.	HANDLE COMP.,STRG.	1	
**	53102	53102-KEC8-900	END HANDLE	END HANDLE	1	
**	53105	53105-LBB5-E00	END R STRGHANDLE	END R STRGHANDLE	1	
	53125	53125-LEA7-E00	COLLAR HANDLE SET	COLLAR HANDLE SET	1	
**	53140	53140-KKC4-900	GRIP COMP THROT	GRIP COMP THROT	1	
**	53166	53166-KGB5-900	GRIP L HANDLE	GRIP L HANDLE	1	
**	53203	53203-LHG7-E00	COVER METER FR.	COVER METER FR.	1	
**	53204	53204-LHG7-E00	COVER METER.RR.	COVER METER.RR.	1	
**	53205	53205-LHG7-E00	COVER HANDLE UP	COVER HANDLE UP	1	
**	53206	53206-LHG7-E00	COVER HANDLE LOW	COVER HANDLE LOW	1	
**	53207	53207-LHG7-E00	COVER, RADIATOR MAINT.	COVER, RADIATOR MAINT.	1	
**	64220	64220-LHG7-E00	WIND SCREEN	WIND SCREEN	1	
	64221	64221-LEA7-E00	RUBBER R WIND SCREEN	RUBBER R WIND SCREEN	1	
	64222-LEA7	64222-LEA7-E00	RUBBER L WIND SCREEN	RUBBER L WIND SCREEN	1	

# Handle SteeringHandle Cover



Sales mark	Ref no	Part no	Description	Reg description	Regd no	F03
	64222-LLJ3	64222-LLJ3-E00	RUBBER WIND SCREEN	RUBBER WIND SCREEN	2	
**	64223	64223-LEA7-E00	PLUG WIND SCREEN	PLUG WIND SCREEN	1	
	64224	64224-LEA7-E00	COLLAR WIND SCREEN	COLLAR WIND SCREEN	4	
	64225	64225-LEA7-E00	SPRING COSMETIC K-LOGO	SPRING COSMETIC K-LOGO	1	
	64226	64226-LEA7-E00	COSMETIC K-LOGO	COSMETIC K-LOGO	1	
**	87508	87508-KKC4-E00	LABEL CLEANNESS CAUYION	LABEL CLEANNESS CAUYION	1	
**	88110	88110-LHG7-E00	MIRROR ASSY R BACK	MIRROR ASSY R BACK	1	
**	88115	88115-LBA2-E02	CAP MIRROR BRKT	CAP MIRROR BRKT	2	
**	88120	88120-LHG7-E00	MIRROR ASSY L BACK	MIRROR ASSY L BACK	1	
	88130	88130-KEBE-900	BOLT SPECIAL	BOLT SPECIAL	1	
	90105	90105-KHB4-900	BOLT WASH M8*60	BOLT WASH M8*60	1	
	90106-GEN5	90106-GEN5-901	BOLT FLANGE 10*50	BOLT FLANGE 10*50	1	
	90106-KFC2	90106-KFC2-900	BOLT WASH 8MM	BOLT WASH 8MM	1	
	90107	90107-LEA7-E00	BOLT SPECIAL 8MM	BOLT SPECIAL 8MM	4	
	90302-LKB9	90302-LKB9-900	NUT SPRING 5MM	NUT SPRING 5MM	1	
	90302-LLB1	90302-LLB1-E00	BOLT WASH 5*12	BOLT WASH 5*12	4	
	90304	90304-GHE8-004	NUT U 10MM	NUT U 10MM	1	
	90312	90312-LLJ3-E00	COLLARWINDSCREEN	COLLARWINDSCREEN	1	
	90656-KCBC	90656-KCBC-900	BAND OIL HANDLE	BAND OIL HANDLE	3	
**	90656-KUDU	90656-KUDU-900	BAND HARNESS WIRE	BAND HARNESS WIRE	1	

# Handle SteeringHandle Cover

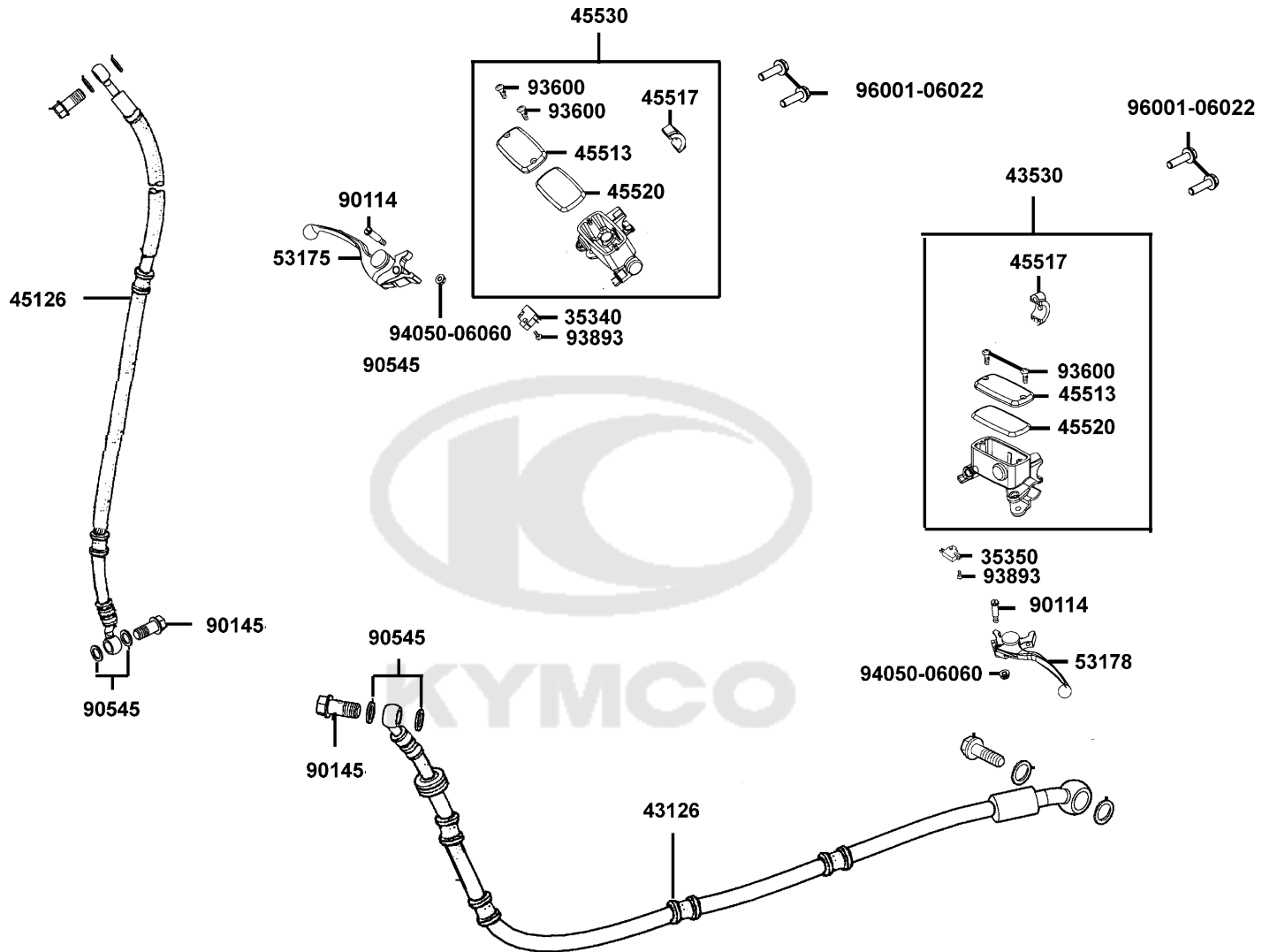


Sales mark	Ref no	Part no	Description	Reg description	Regd no	F03
	90660	90660-PWA2-900	CLAMP TUBE	CLAMP TUBE	1	
	93404-06016	93404-06016-06	BOLT WASHER 6*16	BOLT WASHER 6*16	2	
	93500-05016	93500-05016-1B	SCREW PAN 5*16	SCREW PAN 5*16	1	
	93500-05025	93500-05025-1B	SCREW PAN 5*25	SCREW PAN 5*25	1	
	93500-05032	93500-05032-1B	SCREW PAN 5*32	SCREW PAN 5*32	1	
	93500-05045	93500-05045-1B	SCREW PAN 5*45	SCREW PAN 5*45	1	
	93903-34260	93903-34260	SCREW TAPPING 4*10	SCREW TAPPING 4*10	2	
	93903-35260	93903-35260	SCREW TAPPING 5*12	SCREW TAPPING 5*12	4	
	93903-45260	93903-45260	SCREW TAPPING 5*12	SCREW TAPPING 5*12	1	
	93903-KEB7	93903-KEB7-900-06	SCREW WASHER 4MM	SCREW WASHER 4MM	1	

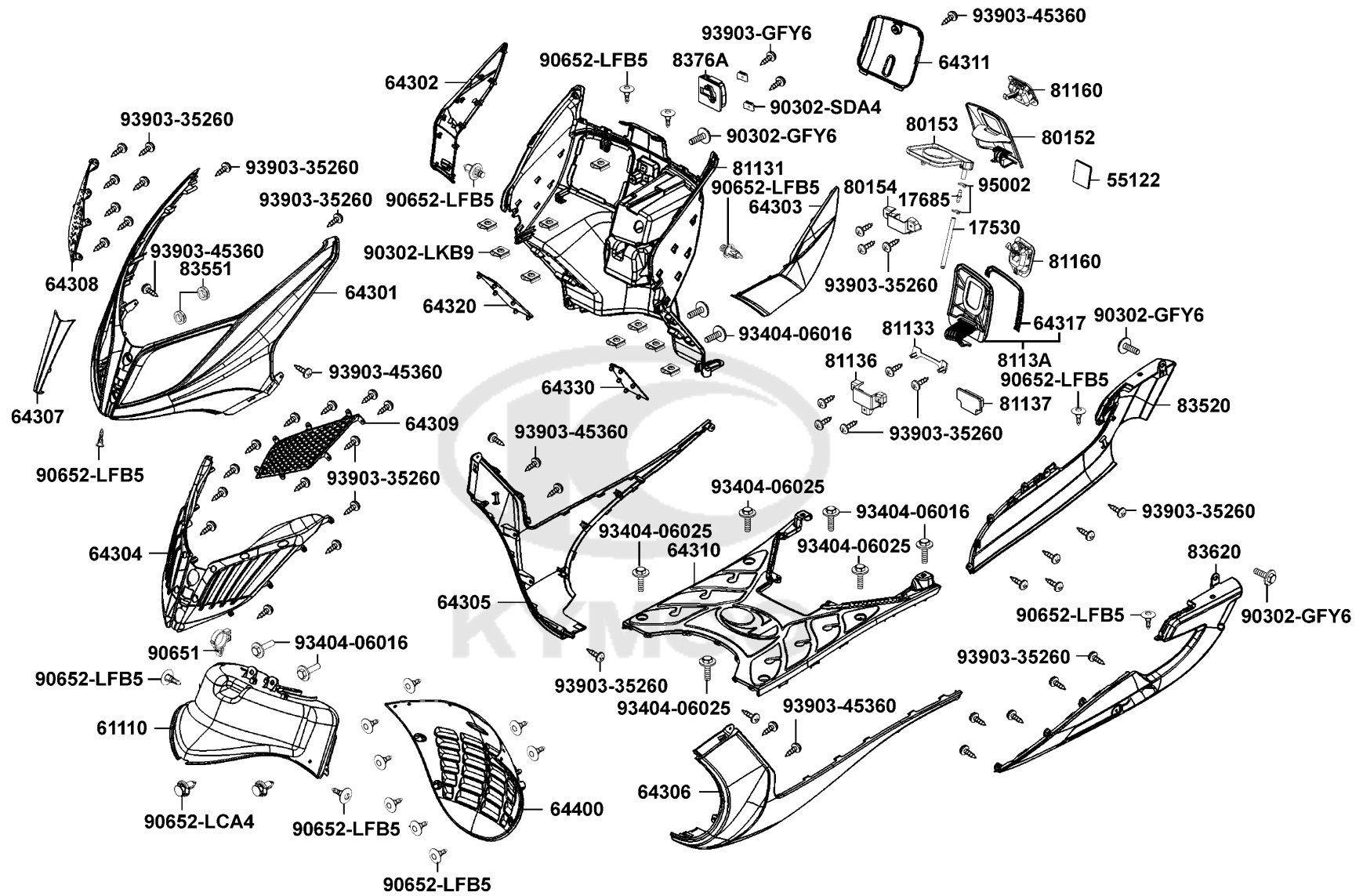


F04

# Brake Master Cylinder

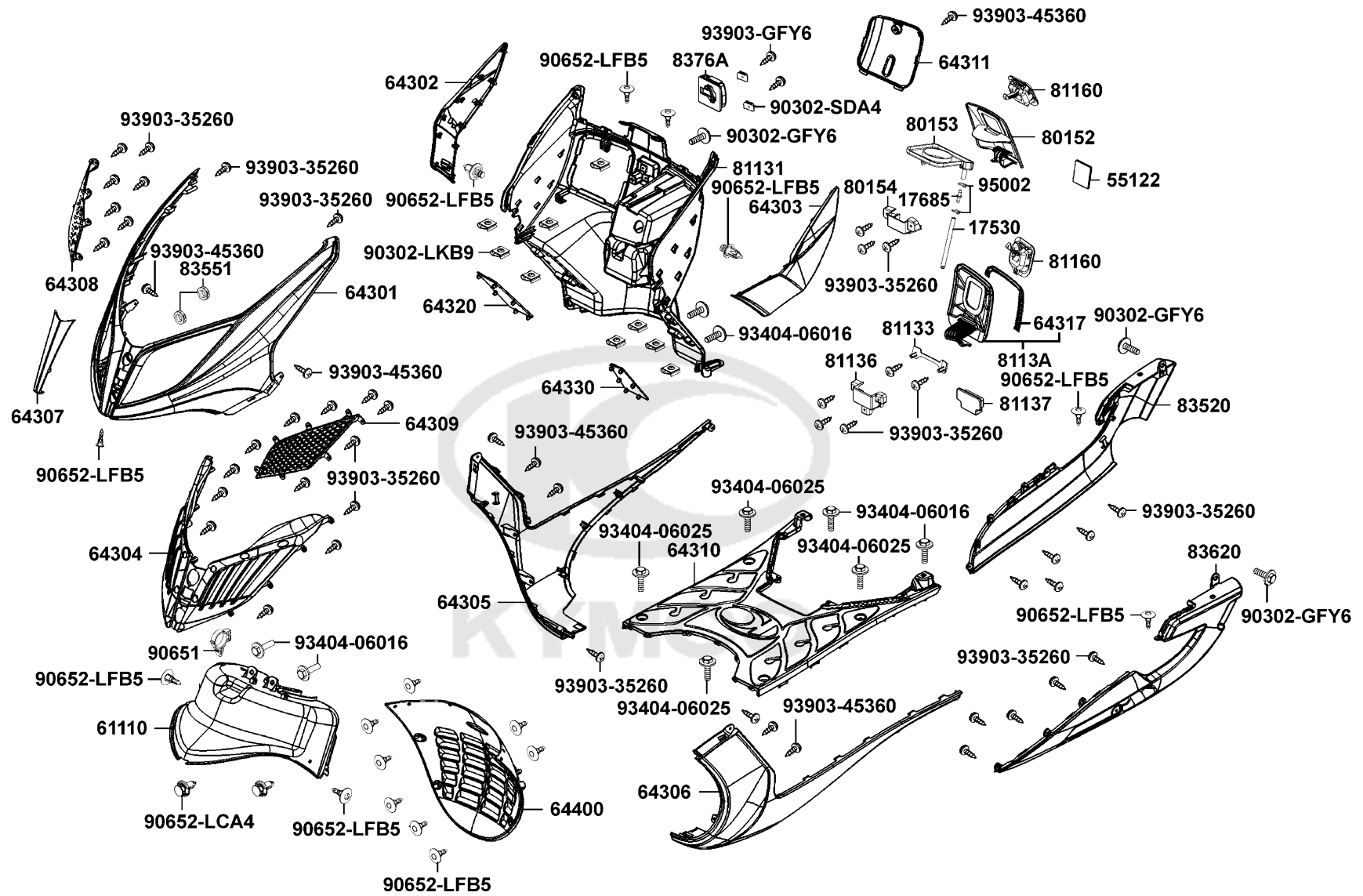


Sales mark	Ref no	Part no	Description	Reg description	Regd no	F04
35340		35340-KNBN-901	SW ASSY FR STOP	SW ASSY FR STOP	1	
35350		35350-KNBN-901	SW ASSY RR STOP	SW ASSY RR STOP	1	
43126		43126-LHG7-E00	HOSE ASSY RR BRK	HOSE ASSY RR BRK	1	
43530		43530-KHD4-305	CYLN SET RR MASTER	CYLN SET RR MASTER	1	
45126		45126-LHG7-E00	HOSE ASSY M/C FR BRK	HOSE ASSY M/C FR BRK	1	
45513		45513-KHD4-B00	CAP MASTER CYLINDER	CAP MASTER CYLINDER	2	
45517		45517-KFAF-910	HOLDER M/C	HOLDER M/C	2	
45520		45520-GLW0-91A	DIAPHRAGM	DIAPHRAGM	2	
45530		45530-LHG7-305	CYLINDER SET FR MASTER	CYLINDER SET FR MASTER	1	
53175		53175-LEA5-E00	LEVER R STRG HNDL	LEVER R STRG HNDL	1	
53178		53178-LEA5-E00	LEVER L STRG HNDL	LEVER L STRG HNDL	1	
90114		90114-1F66-007	BOLT HANDLE LEVER	BOLT HANDLE LEVER	2	
90145		90145-MKS9-61A	OIL BOLT 10*22	OIL BOLT 10*22	4	
90545		90545-3L00-001	WASHER OIL BOLT	WASHER OIL BOLT	8	
93600		93600-04012-1G	SCREW FLAT 4*12	SCREW FLAT 4*12	4	
93893		93893-04012-18	SCREW WASHER 4*12	SCREW WASHER 4*12	2	
94050-06060		94050-06060	NUT FLANGE 6MM	NUT FLANGE 6MM	2	
96001-06022		96001-06022-06	BOLT FLANGE SH 6*25	BOLT FLANGE SH 6*25	4	

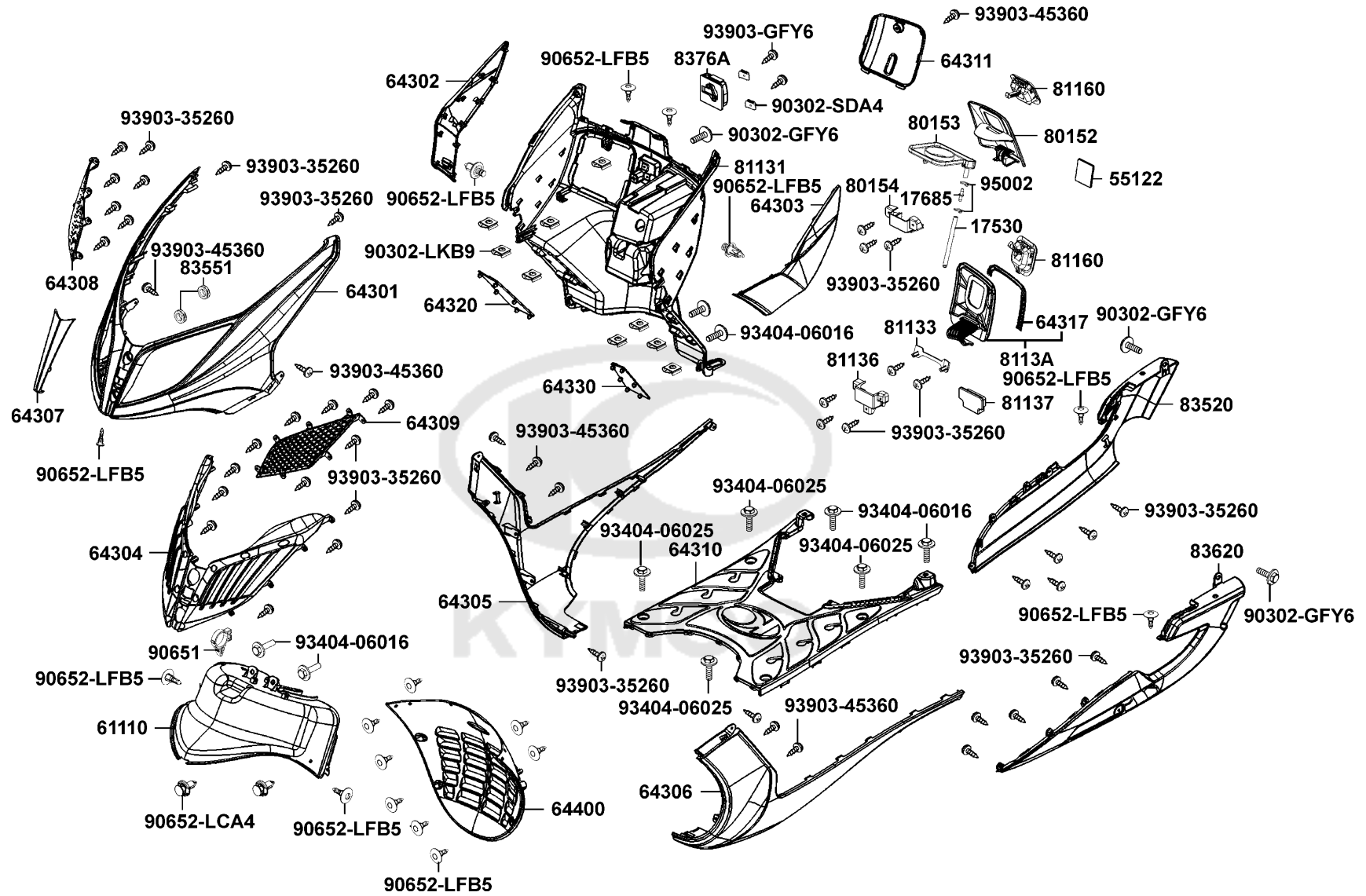




Sales mark	Ref no	Part no	Description	Reg description	Regd no	F05
	17530	17530-LHG7-E00	TUBE ASSY.,FUEL DRAIN	TUBE ASSY.,FUEL DRAIN	1	
	17685	17685-KZCZ-900	JOINT TUBE	JOINT TUBE	1	
	55122	55122-LHG7-E00	PLUG FUEL TANK MAINT	PLUG FUEL TANK MAINT	1	
**	61110	61110-LHG7-E00	FENDER FR INNER	FENDER FR INNER	1	
**	64301	64301-LHG7-E00	COVER FR.	COVER FR.	1	
**	64302	64302-LHG7-E00	MOLD FR.,R/H	MOLD FR.,R/H	1	
**	64303	64303-LHG7-E00	MOLD FR.,L/H	MOLD FR.,L/H	1	
**	64304	64304-LHG7-E00	TOP COVER.FR.	TOP COVER.FR.	1	
**	64305	64305-LHG7-E00	SKIRT R SIDE	SKIRT R SIDE	1	
**	64306	64306-LHG7-E00	SKIRT L SIDE	SKIRT L SIDE	1	
**	64307	64307-LHG7-E00	OUTER FR COVER	OUTER FR COVER	1	
**	64308	64308-LHG7-E00	GRILL R/H FR COVER	GRILL R/H FR COVER	1	
**	64309	64309-LHG7-E00	GRILL,L/H.,FR COVER	GRILL,L/H.,FR COVER	1	
**	64310	64310-LHG7-E00	FLOOR. PANEL	FLOOR. PANEL	1	
**	64311	64311-LHG7-E00	LID RESERVE TANK	LID RESERVE TANK	1	
	64317	64317-LHG7-E00	SEAL INNER BOX UP	SEAL INNER BOX UP	1	
	64320	64320-LHG7-E00	MAT LEG SHIELD R/H	MAT LEG SHIELD R/H	1	
	64330	64330-LHG7-E00	MAT LEG SHIELD L/H	MAT LEG SHIELD L/H	1	
**	64400	64400-LHG7-E00	COWL UNDER	COWL UNDER	1	
**	80152	80152-LHG7-E00	LID.FUEL TANK MAINT.	LID.FUEL TANK MAINT.	1	



Sales mark	Ref no	Part no	Description	Reg description	Regd no	F05
**	80153	80153-LEA7-E00	RUBBER FUEL CAP	RUBBER FUEL CAP	1	
**	80154	80154-LHG7-E00	COVER FUEL CAP LID	COVER FUEL CAP LID	1	
**	81131	81131-LHG7-E00	LEG SHIELD	LEG SHIELD	1	
**	81133	81133-LHG7-E00	RETAIN PLATE INNERBOX	RETAIN PLATE INNERBOX	1	
**	81136	81136-LHG7-E00	CASE FR INNER BOX	CASE FR INNER BOX	1	
	81137	81137-LHG7-E00	PLUG INNER BOX	PLUG INNER BOX	1	
**	8113A	8113A-LHG7-E00	LID ASSY INNER BOX	LID ASSY INNER BOX	1	
	81160	81160-LHG7-E00	LOCK ASSY.,FR INNER BOX	LOCK ASSY.,FR INNER BOX	2	
**	83520	83520-LHG7-E00	MOLD R SIDE	MOLD R SIDE	1	
	83551	83551-KED9-900	GROMMET COVER	GROMMET COVER	2	
**	83620	83620-LHG7-E00	MOLD, L SIDE	MOLD, L SIDE	1	
	8376A	8376A-KEBE-900	CLIP ASSY CENTER	CLIP ASSY CENTER	1	
	90302-GFY6	90302-GFY6-901	BOLT WASH 5*12	BOLT WASH 5*12	3	
	90302-LKB9	90302-LKB9-900	NUT SPRING 5MM	NUT SPRING 5MM	9	
	90302-SDA4	90302-SDA4-004	NUT SPRING 4MM	NUT SPRING 4MM	2	
	90651	90651-LGM9-900	CLIP CABLE	CLIP CABLE	1	
	90652-LCA4	90652-LCA4-E00	CLIP MUDGUARD	CLIP MUDGUARD	2	
	90652-LFB5	90652-LFB5-900	CLIP MUDGUARD	CLIP MUDGUARD	17	
	93404-06016	93404-06016-06	BOLT WASHER 6*16	BOLT WASHER 6*16	6	
	93404-06025	93404-06025-06	BOLT WASHER 6*25	BOLT WASHER 6*25	4	

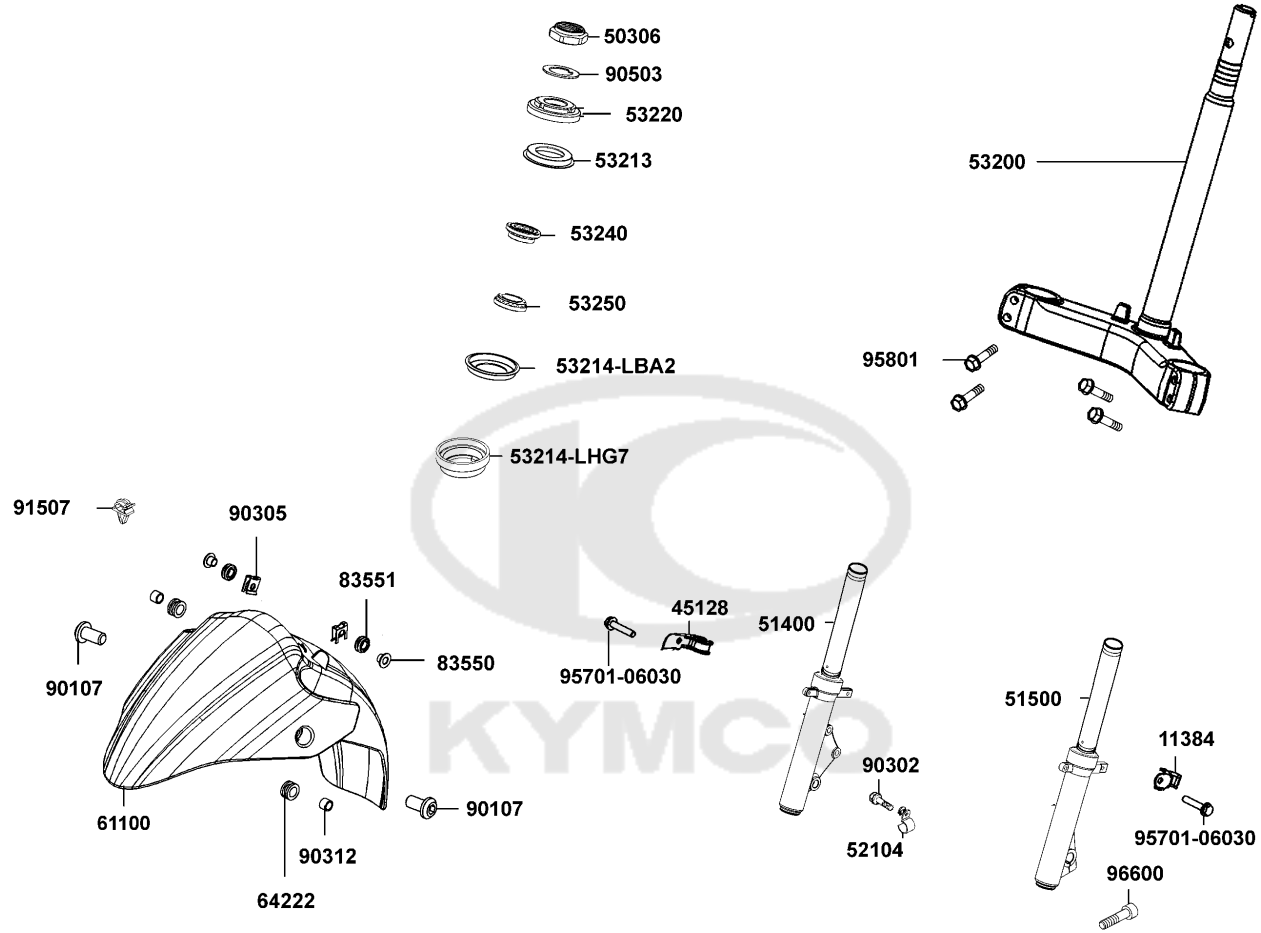


Sales mark	Ref no	Part no	Description	Reg description	Regd no	<b>F05</b>
	93903-35260	93903-35260	SCREW TAPPING 5*12	SCREW TAPPING 5*12	41	
	93903-45360	93903-45360	SCREW TAPPING 5*16	SCREW TAPPING 5*16	12	
	93903-GFY6	93903-GFY6-900	SCREW TAPP 4*14	SCREW TAPP 4*14	2	
	95002	95002-02080	CLIP B8 CHAMBER TUBE	CLIP B8 CHAMBER TUBE	2	



F06

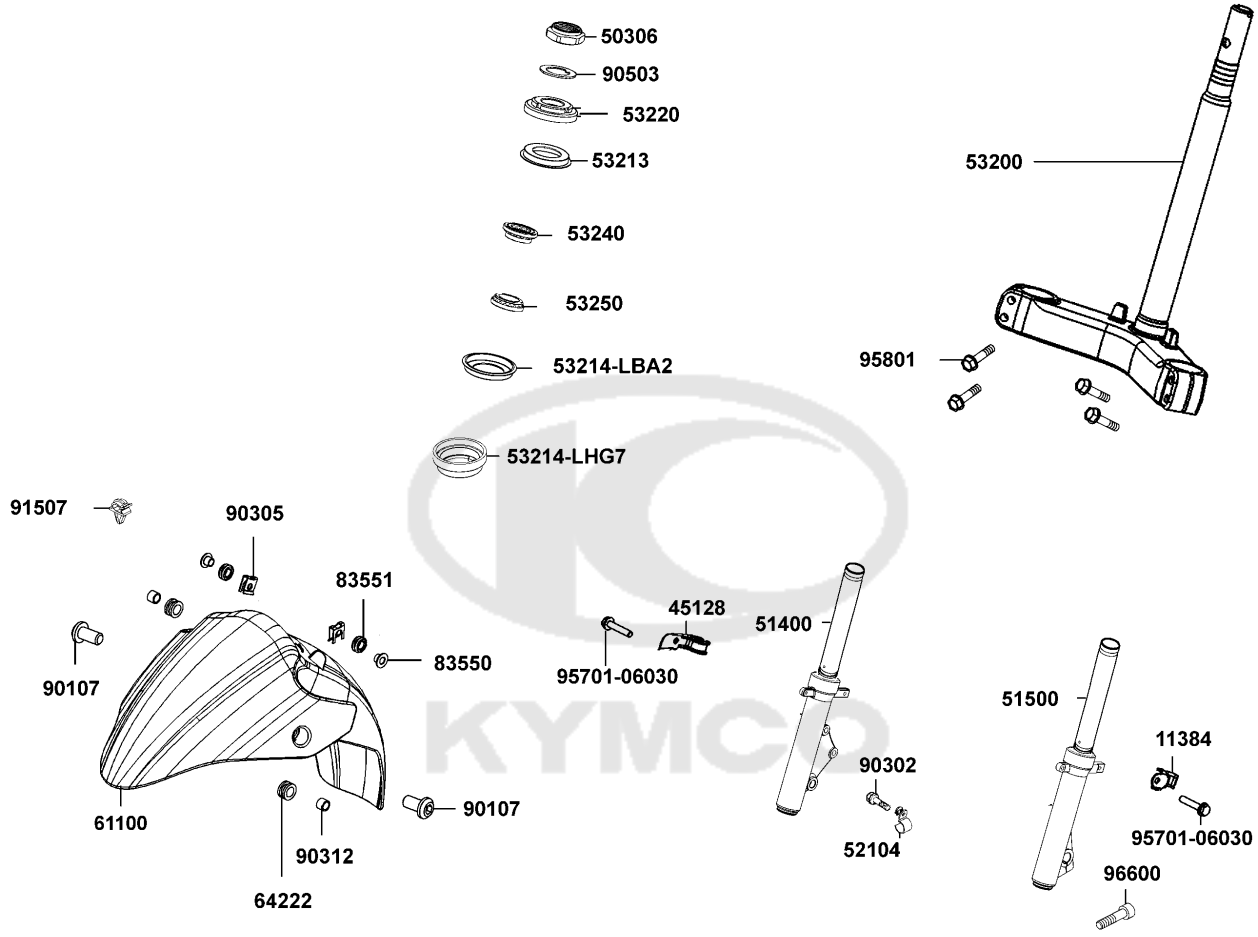
Front Cushion



Sales mark	Ref no	Part no	Description	Reg description	Regd no	F06
	11384	11384-KUDU-900	CLAMPER BREATHER TUBE	CLAMPER BREATHER TUBE	1	
	45128	45128-LHG7-E00	CLIP FRONT FORK	CLIP FRONT FORK	1	
	50306	50306-1F96-001	NUT STRG STEM LOCK	NUT STRG STEM LOCK	1	
**	51400	51400-LHG7-E00	FORK ASSY. FR R	FORK ASSY. FR R	1	
**	51500	51500-LHG7-E00	FORK ASSY. FR L	FORK ASSY. FR L	1	
	52104	52104-LGE5-E01	STAY A, RR SENSOR	STAY A, RR SENSOR	1	
	53200	53200-LKG3-E00	STEM COMP., STEERING	STEM COMP., STEERING	1	
	53213	53213-LBA2-E00	DUST SEAL STRG HEAD TOP	DUST SEAL STRG HEAD TOP	1	
	53214-LBA2	53214-LBA2-E00	DUST SEAL STRG (HEAD)	DUST SEAL STRG (HEAD)	1	
	53214-LHG7	53214-LHG7-E00	DUST SEAL STRG HEAD BOT	DUST SEAL STRG HEAD BOT	1	
	53220	53220-LBA2-E00	THREAD COMP STRG HEAD TOP	THREAD COMP STRG HEAD TOP	1	
	53240	53240-LBA2-E00	BEARING TOT STRG	BEARING TOT STRG	1	
	53250	53250-LBA2-E00	BEARING BOT STRG	BEARING BOT STRG	1	
**	61100	61100-LHG7-E00	FENDER FRONT	FENDER FRONT	1	
	64222	64222-LLJ3-E00	RUBBER WIND SCREEN	RUBBER WIND SCREEN	2	
	83550	83550-KEC8-900	COLLAR	COLLAR	2	
	83551	83551-KEC8-900	GROMMET COVER	GROMMET COVER	2	
	90107	90107-LEA7-E00	BOLT SPECIAL 8MM	BOLT SPECIAL 8MM	2	
	90302	90302-LBF2-900	BOLT-WASH M5*10	BOLT-WASH M5*10	1	
	90305	90305-LBA2-E00	NUT CLIP 6MM	NUT CLIP 6MM	2	

F06

Front Cushion



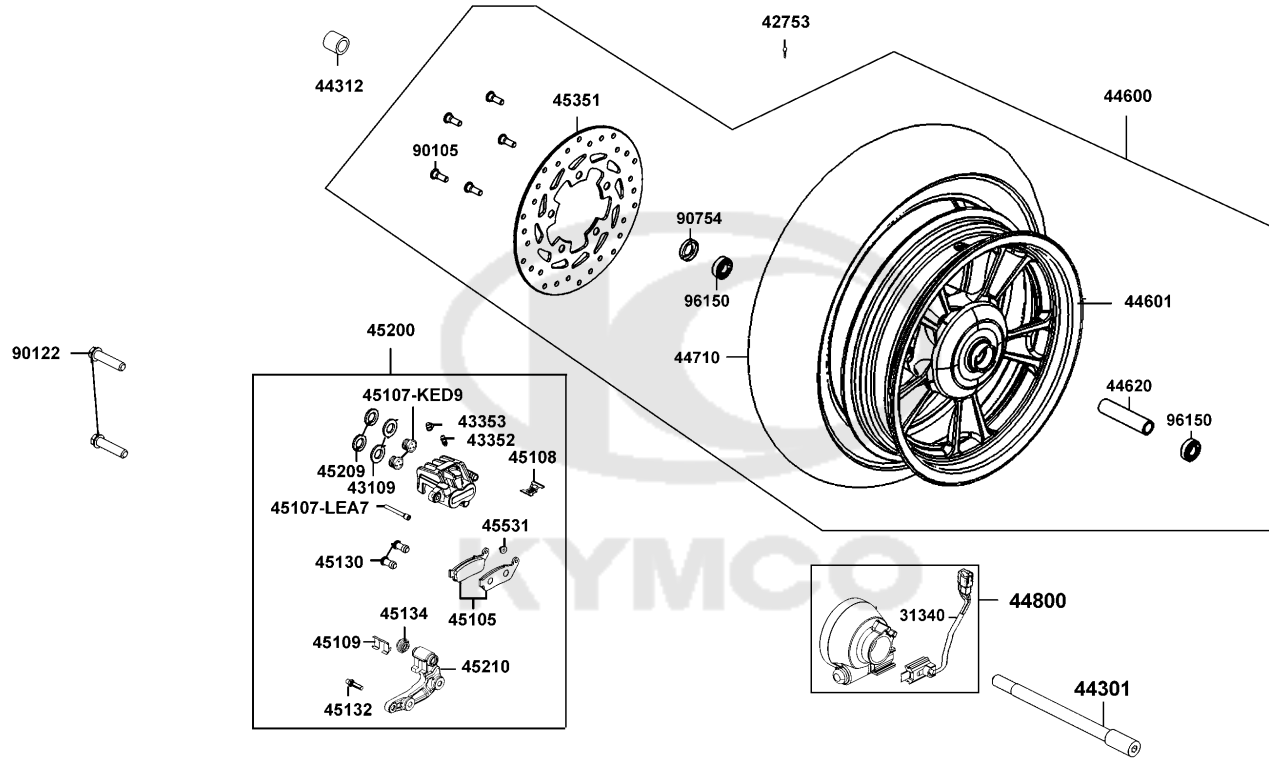


Sales mark	Ref no	Part no	Description	Reg description	Regd no	<b>F06</b>
90312		90312-LLJ3-E01	COLLAR WIND SCREEN	COLLAR WIND SCREEN	2	
90503		90503-LEA7-E00	WASHER STRG STEM NUT	WASHER STRG STEM NUT	1	
91507		91507-LKE6-900	CLIP	CLIP	1	
95701-06030		95701-06030-06	BOLT FLANGE 6*30	BOLT FLANGE 6*30	2	
95801		95801-08040-06	BOLT FLANGE 8x40 (G)	BOLT FLANGE 8x40 (G)	4	
96600		96600-08025-06	SOCKET BOLT 8*25	SOCKET BOLT 8*25	1	



F07

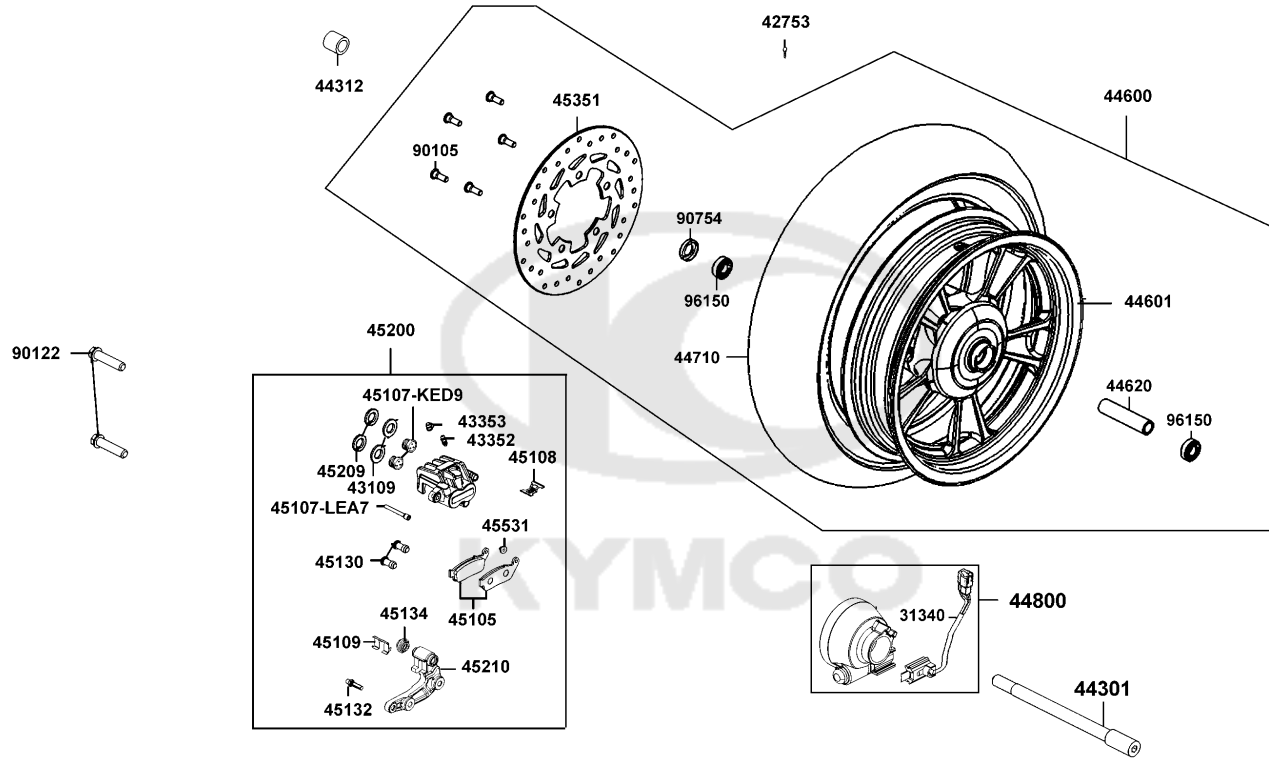
Front Wheel



Sales mark	Ref no	Part no	Description	Reg description	Regd no	F07
	31340	31340-LHG7-E00	SPEED SENSOR	SPEED SENSOR	1	
	42753	42753-KNBN-90B	VALVE RIM (TR412)	VALVE RIM (TR412)	1	
	43109	43109-MCA3-007	SEAL PISTON	SEAL PISTON	2	
	43352	43352-KED9-900	BREATHER	BREATHER	1	
	43353	43353-KED9-900	CAP-BREATHER	CAP-BREATHER	1	
	44301	44301-LLJ3-E00	AXLE FR WHEEL	AXLE FR WHEEL	1	
	44312	44312-LGE5-E00	COLLAR FR AXLE SIDE A	COLLAR FR AXLE SIDE A	1	
**	44600	44600-LHG7-305	WHEEL SET FR	WHEEL SET FR	1	
**	44601	44601-LHG7-E00	WHEEL, FR CAST	WHEEL, FR CAST	1	
	44620	44620-LLJ3-E00	COLLAR FR AXLE DIST	COLLAR FR AXLE DIST	1	
	44710	44710-LEA5-E00	TIRE ASSY FR /MAXXIS	TIRE ASSY FR /MAXXIS	1	
	44800	44800-LHG7-E00	GEAR BOX ASSY	GEAR BOX ASSY	1	
	45105	45105-LEA7-305	PAD SET	PAD SET	1	
	45107-KED9	45107-KED9-900	PISTON-COMP-BRAKE	PISTON-COMP-BRAKE	2	
	45107-LEA7	45107-LEA7-E00	PIN HANGER	PIN HANGER	1	
	45108	45108-LEA7-E00	SPRING PAD	SPRING PAD	1	
	45109	45109-KED9-900	SLIDE PAD	SLIDE PAD	1	
	45130	45130-KED9-900	BOOT	BOOT	2	
	45132	45132-KED9-900	PIN BOLT	PIN BOLT	1	
	45134	45134-KED9-900	BOOT B	BOOT B	1	

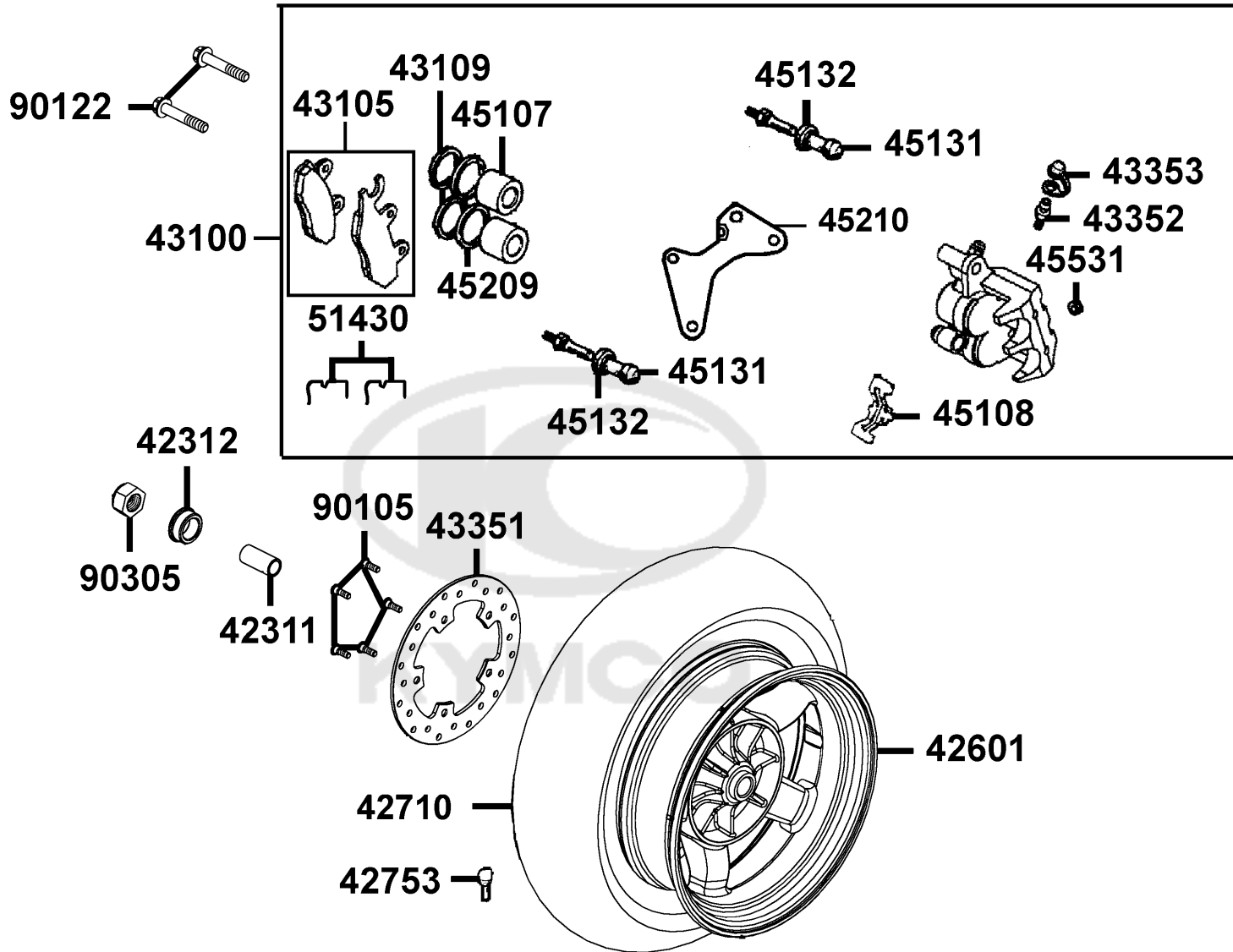
F07

Front Wheel

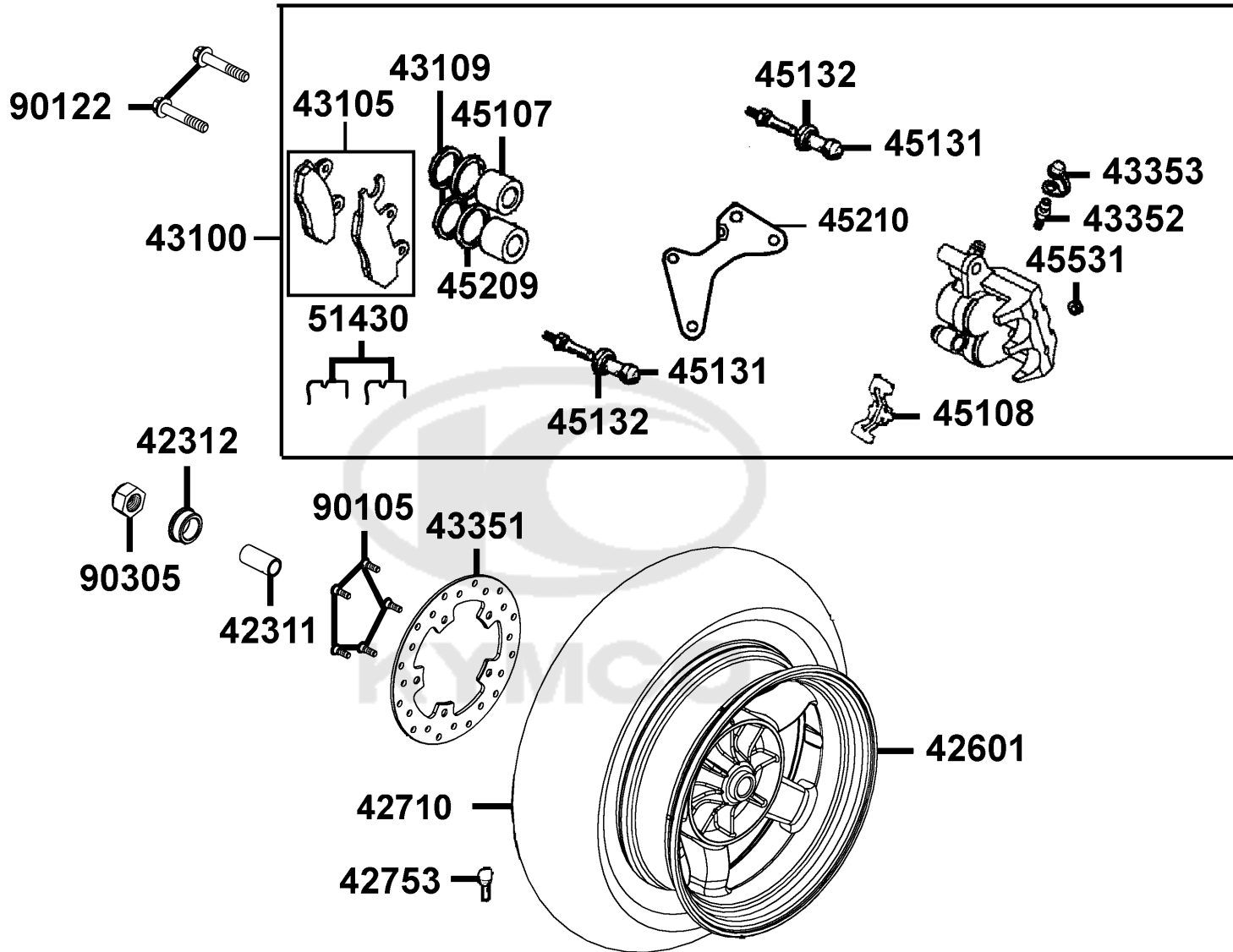


Sales mark	Ref no	Part no	Description	Reg description	Regd no	<b>F07</b>
**	45200	45200-LEA7-E00	CALIPER ASSY FR	CALIPER ASSY FR	1	
	45209	45209-KED9-900	SEAL PISTON	SEAL PISTON	2	
**	45351	45351-LEA5-E00	DISK FR BRAKE	DISK FR BRAKE	1	
	45531	45531-KED9-900	PLUG	PLUG	2	
	90105	90105-KCR3-001	BOLT FR DISK 8*24	BOLT FR DISK 8*24	10	
	90122	90122-LEA7-E00	BOLT FLANGE 10x42(Cr)	BOLT FLANGE 10x42(Cr)	2	
	90754	90754-LLJ3-E00	DUST SEAL	DUST SEAL	1	
	96150	96150-60020-10	BEARING BALL RADIAL 6002	BEARING BALL RADIAL 6002	2	





Sales mark	Ref no	Part no	Description	Reg description	Regd no	F08
	42311	42311-KHE7-E00	COLLAR RR AXLE A	COLLAR RR AXLE A	1	
	42312	42312-KHE7-E00	COLLAR RR AXLE SIDE	COLLAR RR AXLE SIDE	1	
**	42601	42601-LHG7-E01	WHEEL RR CAST	WHEEL RR CAST	1	
	42710	42710-KKC2-E00	TIRE ASSY RR (140/70-12) /CHENG SHIN	TIRE ASSY RR (140/70-12) /CHENG SHIN	1	
	42753	42753-KNBN-90B	VALVE RIM (TR412)	VALVE RIM (TR412)	1	
**	43100	43100-LHG7-E00	CALIPER ASSY RR	CALIPER ASSY RR	1	
	43105	43105-LHG7-305	PAD SET	PAD SET	1	
	43109	43109-GBN2-007	DUST SEAL	DUST SEAL	2	
	43351	43351-LFB5-900	DISK BRAKE .RR	DISK BRAKE .RR	1	
	43352	43352-KKD6-E90	SCREW BLEEDER	SCREW BLEEDER	1	
	43353	43353-4A61-77A	CAP BLEEDER	CAP BLEEDER	1	
	45107	45107-MEN5-007	PISTON	PISTON	2	
	45108	45108-LDH1-E00	SPRING PAD	SPRING PAD	1	
	45131	45131-LDH1-E00	PIN BOLT	PIN BOLT	2	
	45132	45132-LDH1-E00	BUSH BOOT PIN	BUSH BOOT PIN	2	
	45209	45209-GBN2-007	SEAL PISTON	SEAL PISTON	2	
**	45210	45210-LDF2-E00	BRACKET FR CALIPER	BRACKET FR CALIPER	1	
	45531	45531-GAR1-951	PLUG	PLUG	1	
	51430	51430-LDH1-E00	SLIDE PAD	SLIDE PAD	2	
	90105	90105-KCR3-001	BOLT FR DISK 8*24	BOLT FR DISK 8*24	5	





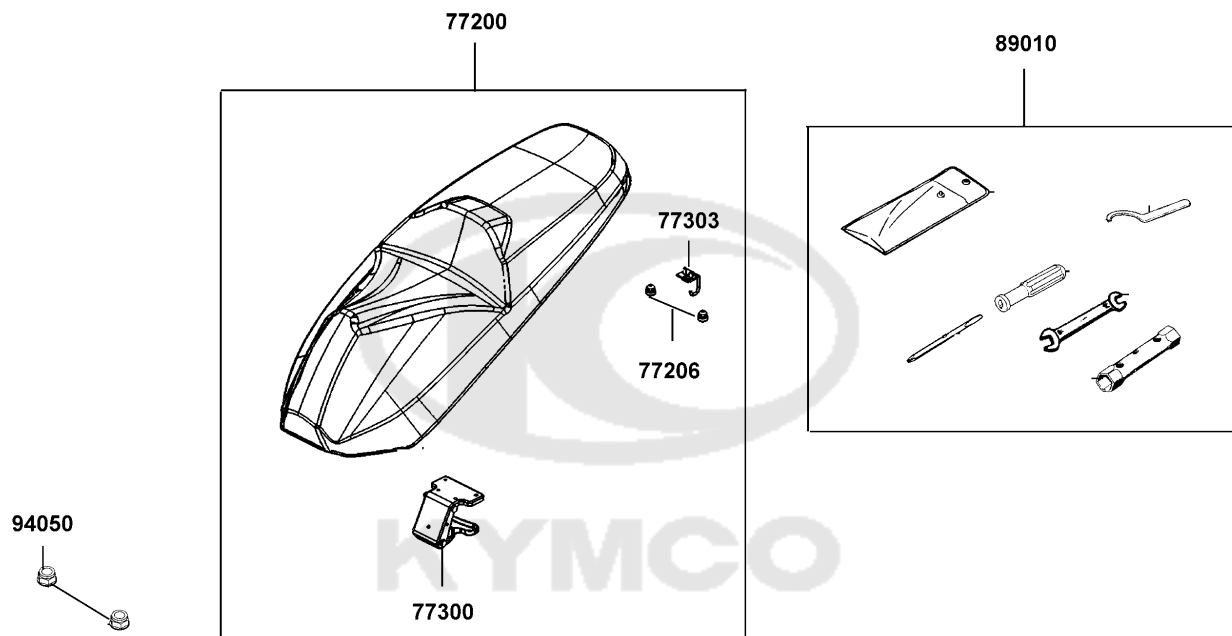
Sales mark	Ref no	Part no	Description	Reg description	Regd no	<b>F08</b>
------------	--------	---------	-------------	-----------------	---------	------------

	90122	90122-LHG7-E00	BOLT FLANGE 8x38(G)	BOLT FLANGE 8x38(G)	2	
	90305	90305-KFW6-91A	NUT U FLANGE 16MM	NUT U FLANGE 16MM	1	



F09

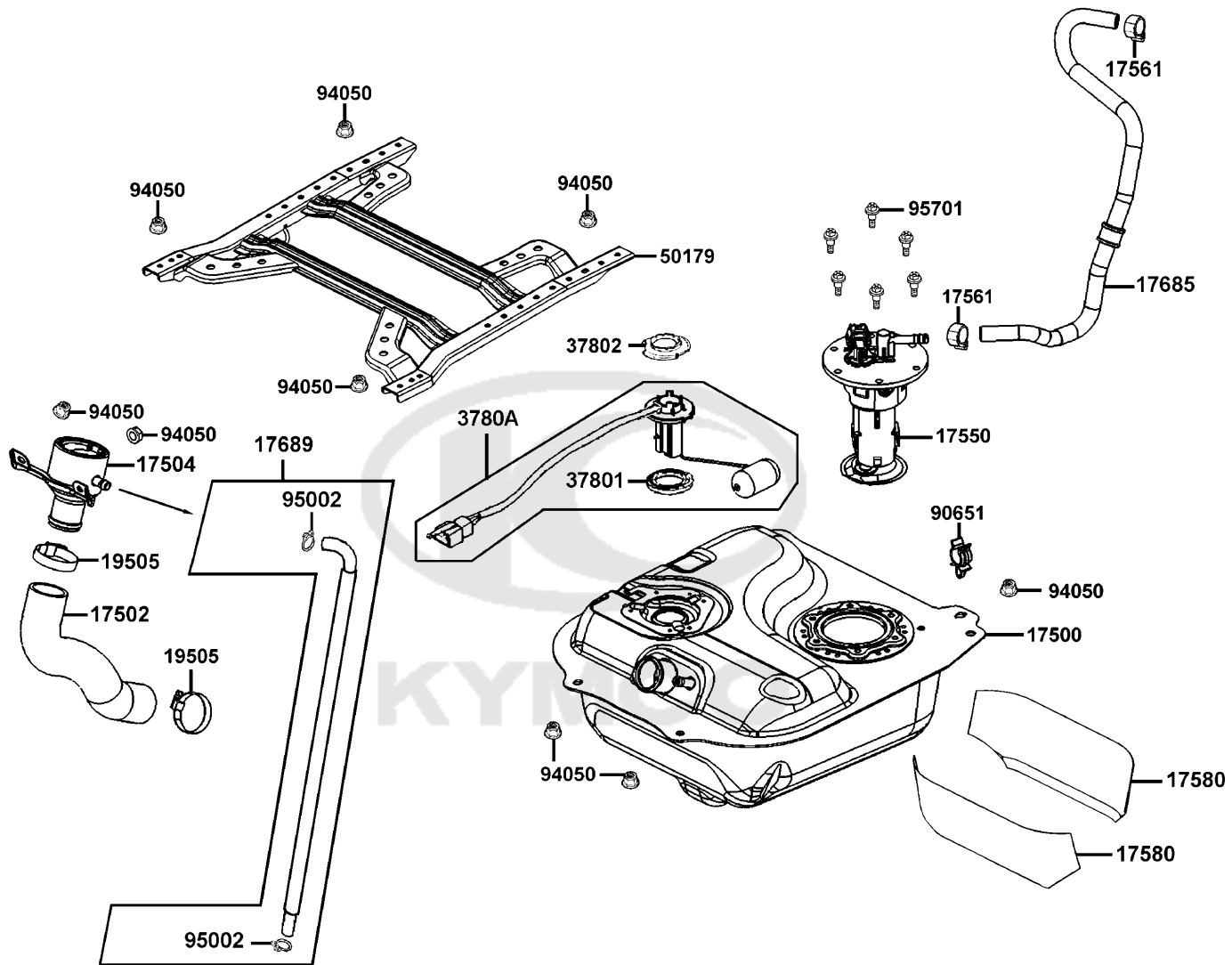
Seat



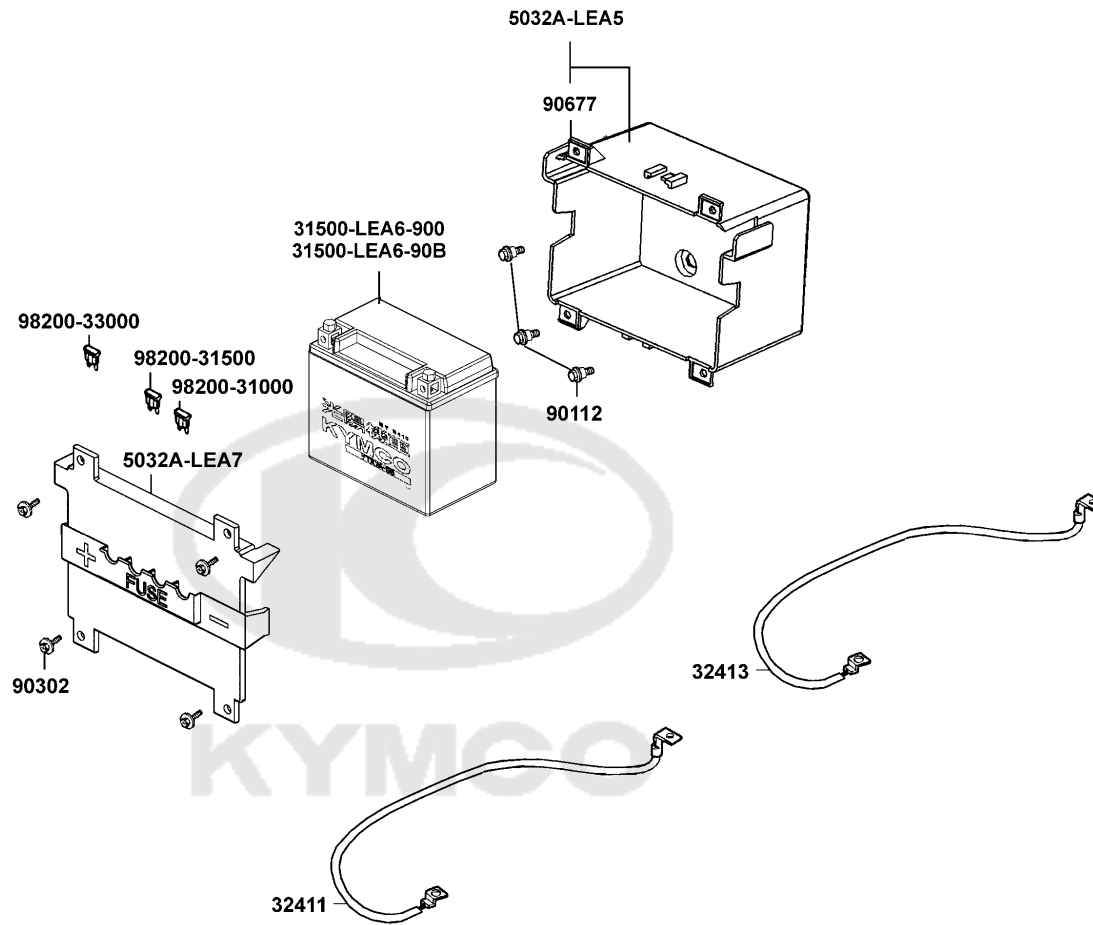
Sales mark	Ref no	Part no	Description	Reg description	Regd no	<b>F09</b>
------------	--------	---------	-------------	-----------------	---------	------------

**	77200	77200-LHG7-E00	SEAT, ASSY.	SEAT, ASSY.	1	
	77206	77206-KEB7-900	RUBBER SEAT CUSH	RUBBER SEAT CUSH	2	
	77300	77300-LHG8-E00	HINGE ASSY SEAT	HINGE ASSY SEAT	1	
	77303	77303-LCD3-E00	HOOK SEAT LOCK	HOOK SEAT LOCK	2	
	89010	89010-LHG7-E00	TOOL SET	TOOL SET	1	
	94050	94050-06080	NUT FLANGE 6MM	NUT FLANGE 6MM	2	



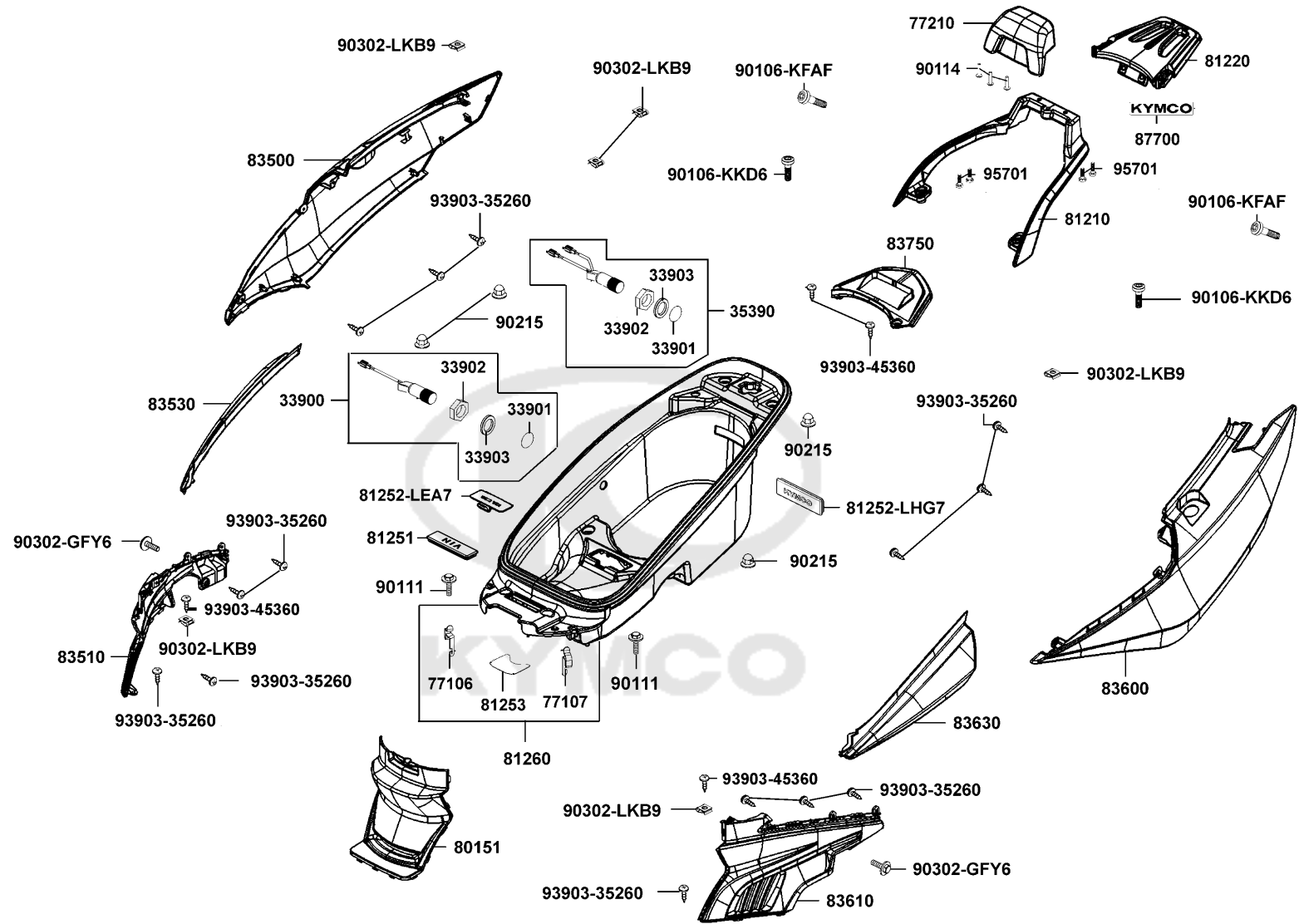


Sales mark	Ref no	Part no	Description	Reg description	Regd no	<b>F10</b>
17500		17500-LHG7-E00	TANK COMP.,FUEL	TANK COMP.,FUEL	1	
17502		17502-LHG7-E00	HOSE FUEL	HOSE FUEL	1	
17504		17504-LHG7-E00	METAL COMP FUEL FILLER	METAL COMP FUEL FILLER	1	
17550		17550-LGE5-E00	FUEL PUMP ASSY	FUEL PUMP ASSY	1	
17561		17561-LKB9-900	CLIP 12.5	CLIP 12.5	2	
17580		17580-LHG7-E00	HEAT GUARD FUEL TANK	HEAT GUARD FUEL TANK	2	
17685		17685-LHG7-E00	TUBE FUEL PUMP	TUBE FUEL PUMP	1	
17689		17689-LHG7-E00	TUBE ASSY TANK-FILLER	TUBE ASSY TANK-FILLER	1	
19505		19505-LEA2-900	CLAMP HOSE	CLAMP HOSE	2	
37801		37801-GGA7-701	PACKING BASE	PACKING BASE	1	
37802		37802-GGA7-701	RET FUEL UNIT	RET FUEL UNIT	1	
3780A		3780A-LHG7-E00	FUEL UNIT ASSY	FUEL UNIT ASSY	1	
50179		50179-LHG7-E00	SATY FLOOR PANEL	SATY FLOOR PANEL	1	
90651		90651-LGE5-E00	CLIP FUEL TANK	CLIP FUEL TANK	1	
94050		94050-06060	NUT FLANGE 6MM	NUT FLANGE 6MM	10	
95002		95002-02130	CLIP B12.5 TUBE	CLIP B12.5 TUBE	2	
95701		95701-LDF2-800	BOLT FLANGE M5*6.5	BOLT FLANGE M5*6.5	6	



Sales mark	Ref no	Part no	Description	Reg description	Regd no	F11
	31500-LEA6-900	31500-LEA6-900	BATTERY 12A-BS	BATTERY 12A-BS	1	
	31500-LEA6-90B	31500-LEA6-90B	BATTERY GT12A-BS	BATTERY GT12A-BS	1	
	32411	32411-LHG7-E00	CABLE, BATTERY	CABLE, BATTERY	1	
	32413	32413-LHG7-E00	CABLE BAT EARTH	CABLE BAT EARTH	1	
	5032A-LEA5	5032A-LEA5-E00	CASE ASSY BATTERY	CASE ASSY BATTERY	1	
	5032A-LEA7	5032A-LEA7-E00	COVER ASSY BATTERY	COVER ASSY BATTERY	1	
	90112	90112-KNBN-901	BOLT FLANGE 6MM	BOLT FLANGE 6MM	3	
	90302	90302-GFY6-940	BOLT WASHER 5*16	BOLT WASHER 5*16	4	
	90677	90677-GAR1-004	NUT CLIP 5MM	NUT CLIP 5MM	4	
	98200-31000	98200-31000	BLADE FUSE 10A	BLADE FUSE 10A	1	
	98200-31500	98200-31500	BLADE FUSE 15A	BLADE FUSE 15A	1	
	98200-33000	98200-33000	BLADE FUSE 30A	BLADE FUSE 30A	1	

Body Cover Luggage Box

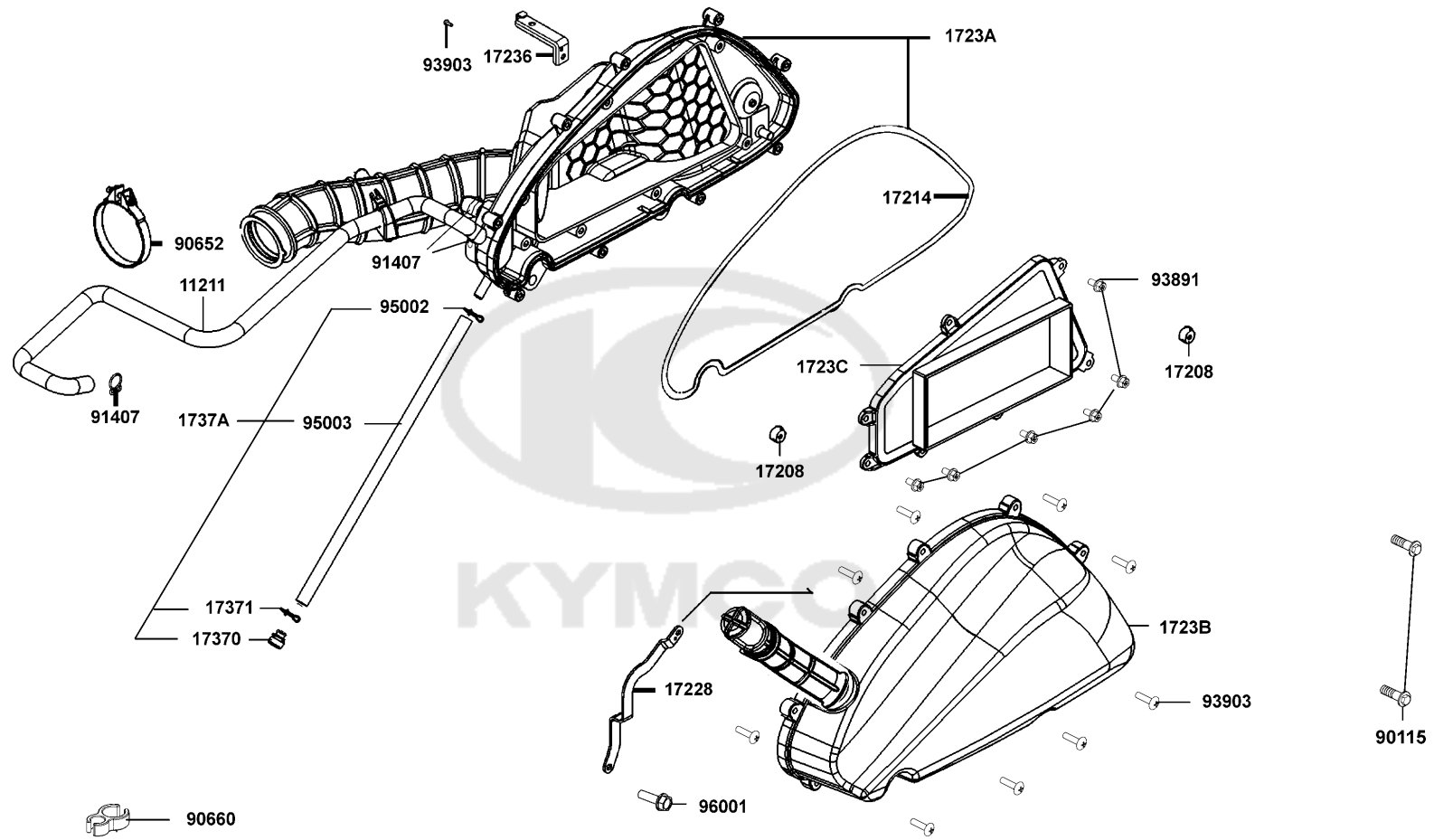




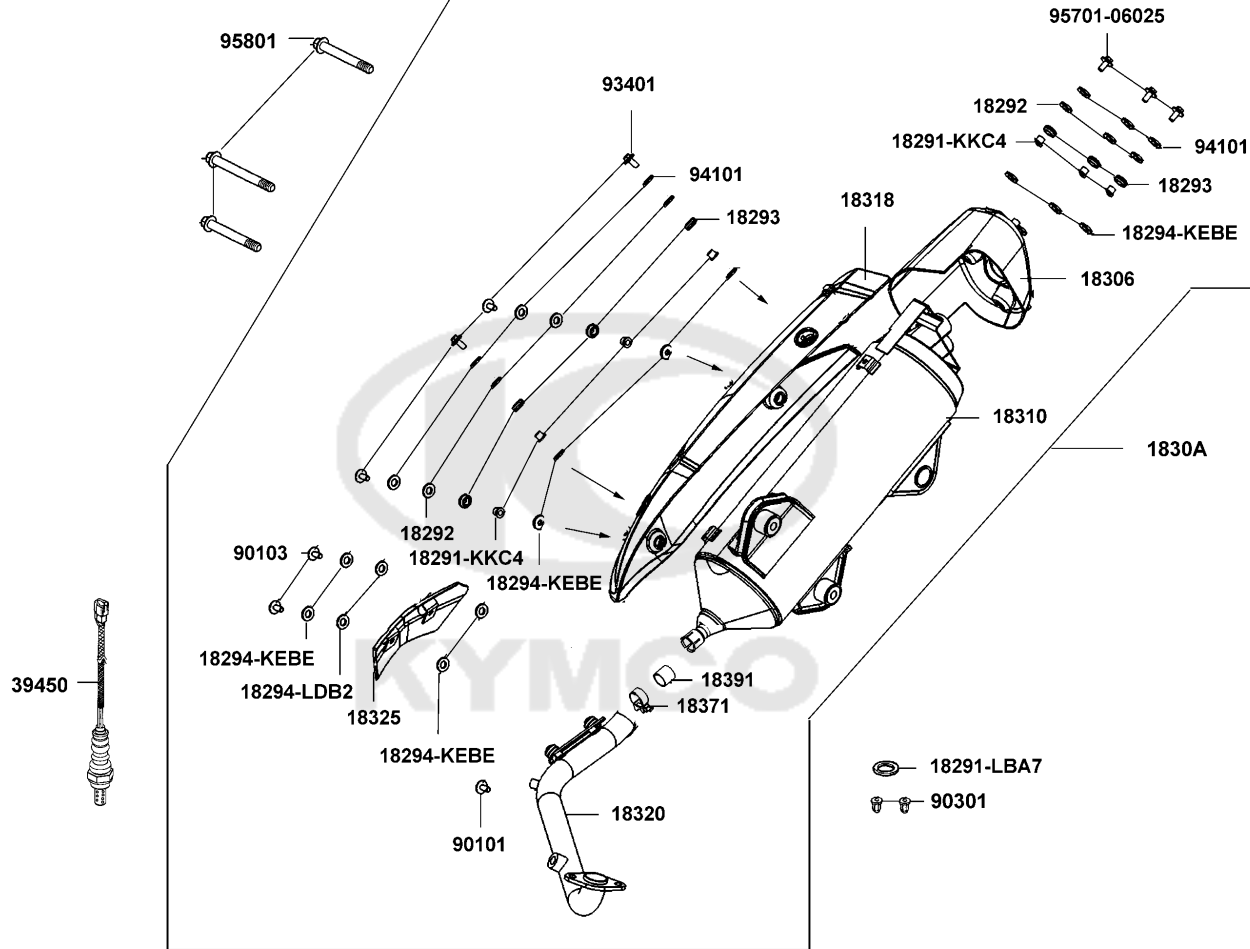
Sales mark	Ref no	Part no	Description	Reg description	Regd no	F12
	33900	33900-LHG7-E00	LIGHT ASSY LUGGAGE BOX	LIGHT ASSY LUGGAGE BOX	1	
	33901	33901-LHG7-E00	LENS	LENS	2	
	33902	33902-LHG7-E00	NUT SCREW	NUT SCREW	2	
	33903	33903-LHG7-E00	PACKING BASE	PACKING BASE	2	
	35390	35390-LHG7-E00	SENSOR LUGGAGE BOX LIGHT	SENSOR LUGGAGE BOX LIGHT	1	
	77106	77106-KKE5-E00	HOOK R HELMENT	HOOK R HELMENT	1	
	77107	77107-KKE5-E00	HOOK L HELMENT	HOOK L HELMENT	1	
**	77210	77210-LHG7-E00	BACK SEAT COMP	BACK SEAT COMP	1	
**	80151	80151-LHG7-E00	COVER CENTER	COVER CENTER	1	
**	81210	81210-LHG7-E00	REAR CARRIER FR.	REAR CARRIER FR.	1	
**	81220	81220-LHG7-E00	REAR CARRIER RR.	REAR CARRIER RR.	1	
	81251	81251-LHG7-E00	PLUG LUGGAGE BOX	PLUG LUGGAGE BOX	1	
	81252-LEA7	81252-LEA7-E00	COVER P.D.A. MAINT	COVER P.D.A. MAINT	1	
	81252-LHG7	81252-LHG7-E00	MAINT LUGGAGE BOX	MAINT LUGGAGE BOX	1	
	81253	81253-LHG7-E00	HEAT GUARD A ,LUGG. BOX	HEAT GUARD A ,LUGG. BOX	1	
	81260	81260-LHG7-E00	LUGGAGE BOX ASSY	LUGGAGE BOX ASSY	1	
**	83500	83500-LHG7-E00	COVER R BODY	COVER R BODY	1	
**	83510	83510-LHG7-E00	COVER ,SIDE R/H	COVER ,SIDE R/H	1	
**	83530	83530-LHG7-E00	TOP COVER R BODY	TOP COVER R BODY	1	
**	83600	83600-LHG7-E00	COVER L BODY	COVER L BODY	1	



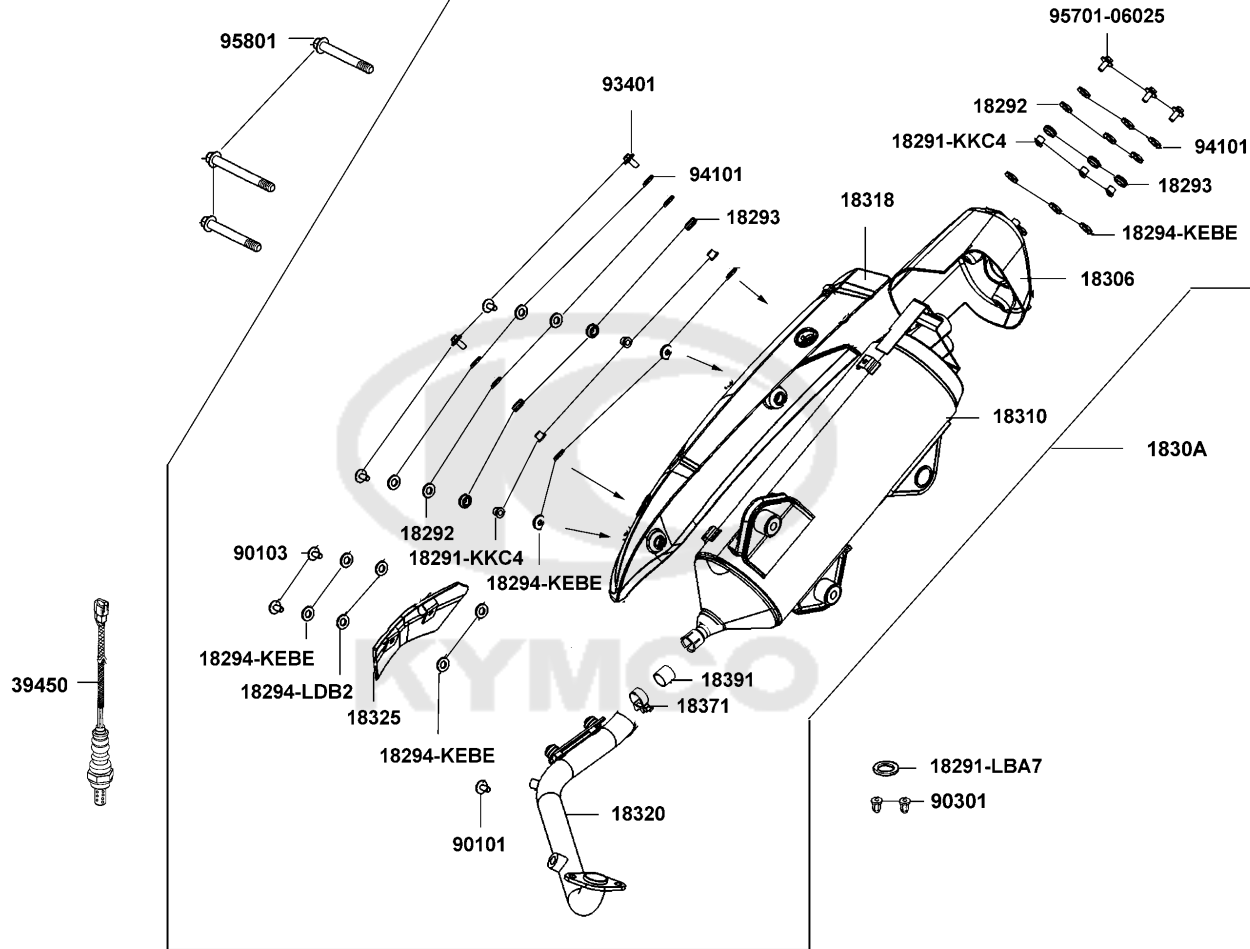
Sales mark	Ref no	Part no	Description	Reg description	Regd no	F12
**	83610	83610-LHG7-E00	COVER ,SIDE L/H	COVER ,SIDE L/H	1	
**	83630	83630-LHG7-E00	TOP COVER L BODY	TOP COVER L BODY	1	
**	83750	83750-LHG7-E00	COVER RR CENTER	COVER RR CENTER	1	
**	87700	87700-LBD5-E40	MARK KYMCO	MARK KYMCO	1	
	90106-KFAF	90106-KFAF-900	BOLT 8*32	BOLT 8*32	2	
	90106-KKD6	90106-KKD6-E00	BOLT SPECIAL 8*42	BOLT SPECIAL 8*42	2	
	90111	90111-1G87-001	BOLT FLANGE 6*14	BOLT FLANGE 6*14	2	
	90114	90114-LBA2-E00	SCREW PAN 6*30	SCREW PAN 6*30	3	
	90215	90215-KKC4-900	NUT CAP 6MM	NUT CAP 6MM	4	
	90302-GFY6	90302-GFY6-940	BOLT WASHER 5*16	BOLT WASHER 5*16	2	
	90302-LKB9	90302-LKB9-900	NUT SPRING 5MM	NUT SPRING 5MM	6	
	93903-35260	93903-35260	SCREW TAPPING 5*12	SCREW TAPPING 5*12	14	
	93903-45360	93903-45360	SCREW TAPPING 5*16	SCREW TAPPING 5*16	14	
	95701	95701-08016-06	BOLT FLANGE 8*16	BOLT FLANGE 8*16	4	



Sales mark	Ref no	Part no	Description	Reg description	Regd no	F13
11211		11211-LHG7-E00	TUBE BREATHER	TUBE BREATHER	1	
17208		17208-GAR1-011	COLLAR AIR/C SET	COLLAR AIR/C SET	2	
17214		17214-LLJ3-E00	SEAL AIR/C COVER	SEAL AIR/C COVER	1	
17228		17228-LHG7-E00	STAY AIR/C ASSY	STAY AIR/C ASSY	1	
17236		17236-LHG7-E00	STAY. RR. FENDER	STAY. RR. FENDER	1	
1723A		1723A-LHG7-E00	CASE ASSY.. AIR/C	CASE ASSY.. AIR/C	1	
1723B		1723B-LHG7-E00	COVER ASSY AIR/C	COVER ASSY AIR/C	1	
1723C		1723C-LHG7-E00	ELEMENT ASSY AIR/C	ELEMENT ASSY AIR/C	1	
17370		17370-4K19-670	PLUG BREATHER TUBE	PLUG BREATHER TUBE	1	
17371		17371-1D74-671	CLIP BREATHER TUBE	CLIP BREATHER TUBE	1	
1737A		1737A-LHG7-E00	V TUBE ASSY.	V TUBE ASSY.	1	
90115		90115-KXCX-900	BOLT FLANGE SH 6*32	BOLT FLANGE SH 6*32	2	
90652		90652-KHE7-900	BAND CONNECTING TUBE	BAND CONNECTING TUBE	1	
90660		90660-KNBN-921	CLAMPER TUBE	CLAMPER TUBE	1	
91407		91407-SGA7-004	CLAMP 17.0 FUEL HOSE	CLAMP 17.0 FUEL HOSE	3	
93891		93891-05016-00	SCREW WASHER 5*16	SCREW WASHER 5*16	6	
93903		93903-25460	SCREW TAPPING 5*20	SCREW TAPPING 5*20	9	
95002		95002-41100-04	CLIP D11 TUBE	CLIP D11 TUBE	1	
95003		95003-23036-60	V TUBE 8*12*360	V TUBE 8*12*360	1	
96001		96001-06020-08	BOLT FLANGE SH 6*20	BOLT FLANGE SH 6*20	1	



Sales mark	Ref no	Part no	Description	Reg description	Regd no	F14
	18291-KKC4	18291-KKC4-900	COLLAR	COLLAR	7	
	18291-LBA7	18291-LBA7-900	GASKET EXH PIPE	GASKET EXH PIPE	1	
	18292	18292-KEBE-900	PACKING PROTECTOR	PACKING PROTECTOR	7	
	18293	18293-KEBE-900	RUBBER PKG PROTECTOR	RUBBER PKG PROTECTOR	7	
	18294-KEBE	18294-KEBE-900	PACKING PROTECTOR	PACKING PROTECTOR	11	
	18294-LDB2	18294-LDB2-900	PACKING INNER PROTECTOR	PACKING INNER PROTECTOR	2	
**	18306	18306-LHG7-E00	TAIL CAP MUFFLER	TAIL CAP MUFFLER	1	
	1830A	1830A-LHG7-E00	MUFFLER ASSY	MUFFLER ASSY	1	
	18310	18310-LHG7-E00	MUFFLER COMP	MUFFLER COMP	1	
**	18318	18318-LHG7-E00	PROECTOR MUFFLER	PROECTOR MUFFLER	1	
	18320	18320-LHG7-E00	PIPE EXHAUST	PIPE EXHAUST	1	
**	18325	18325-LGE5-E00	PROTECTOR EXHAUST	PROTECTOR EXHAUST	1	
	18371	18371-LDB2-E00	BAND MUFFLER	BAND MUFFLER	1	
	18391	18391-LDH1-E00	GASKET COMP EXH	GASKET COMP EXH	1	
	39450	39450-LDF2-800	O2 SENSOR	O2 SENSOR	1	
	90101	90101-LEA7-E00	BOLT FLANGE	BOLT FLANGE	1	
	90103	90103-LEA7-E00	BOLT FLANGE SH 6X16	BOLT FLANGE SH 6X16	2	
	90301	90301-GFY6-901	NUT (HEX) CAP 8MM	NUT (HEX) CAP 8MM	2	
	93401	93401-06022-07	BOLT WASHER 6*22	BOLT WASHER 6*22	4	
	94101	94101-LEA2-900	WASHER PLAIN 6.5*18*105	WASHER PLAIN 6.5*18*105	7	





Sales mark	Ref no	Part no	Description	Reg description	Regd no	<b>F14</b>
------------	--------	---------	-------------	-----------------	---------	------------

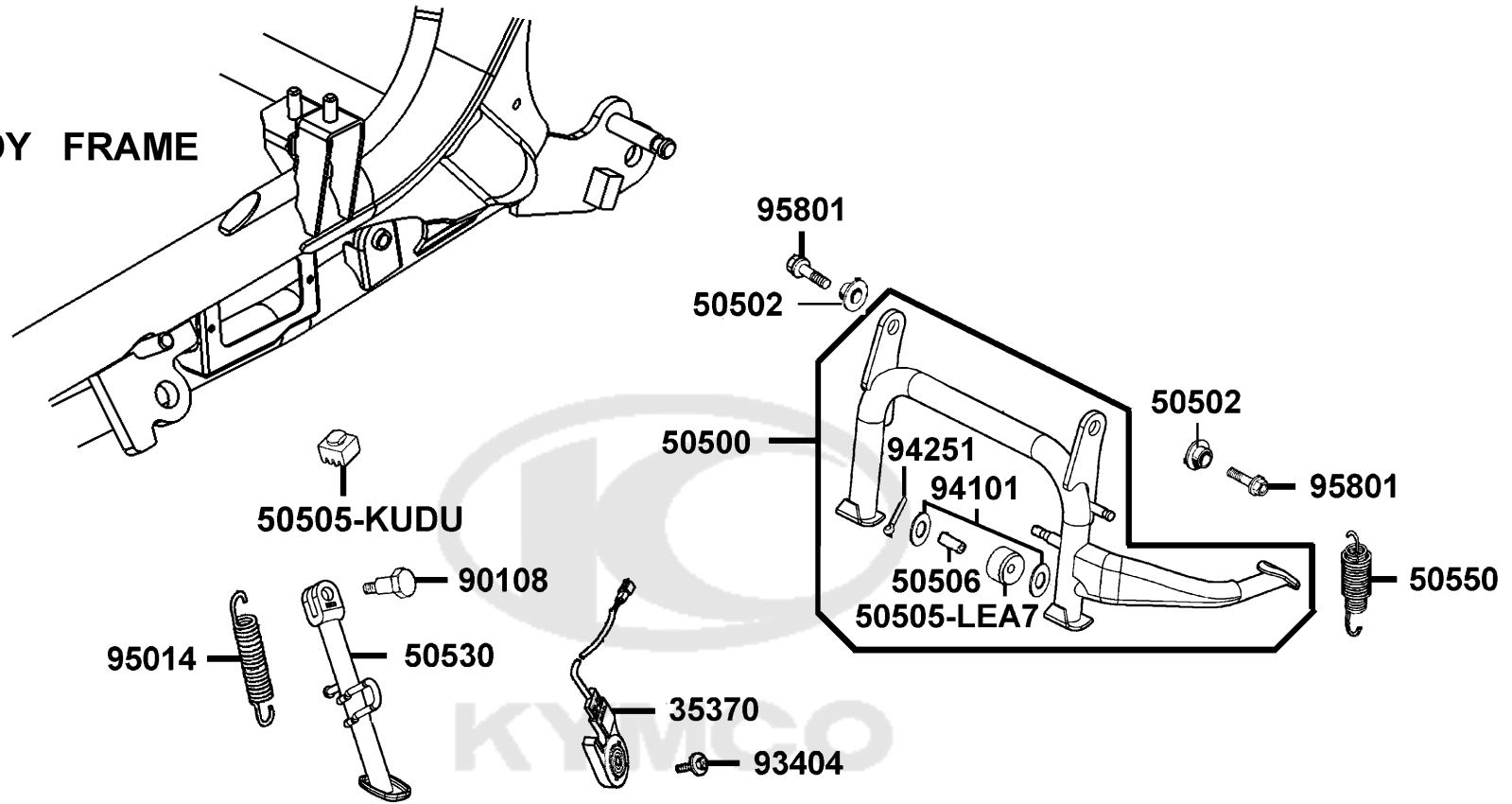
	95701-06025	95701-06025-06	BOLT FLANGE 6*25	BOLT FLANGE 6*25	3	
	95801	95801-10060-06	BOLT FLANGE 10*60	BOLT FLANGE 10*60	3	



F15

StandKick Starter Arm

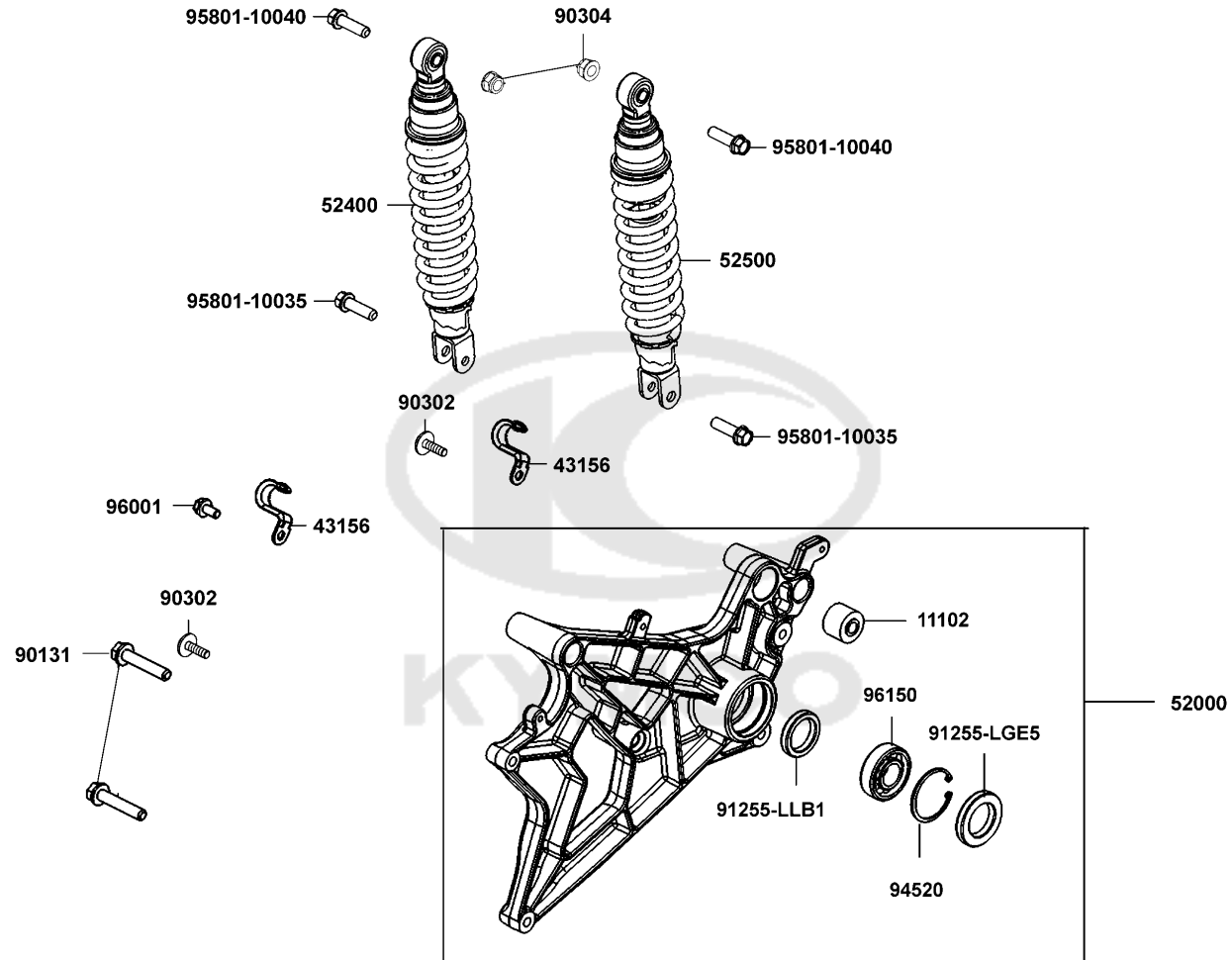
BODY FRAME



Sales mark	Ref no	Part no	Description	Reg description	Regd no	<b>F15</b>
35370		35370-LLJ3-E00	SW UNIT SIDE STAND	SW UNIT SIDE STAND	1	
50500		50500-LHG7-E00	STAND COMP MAIN	STAND COMP MAIN	1	
50502		50502-LDF7-E10	COLLAR MAIN STAND	COLLAR MAIN STAND	2	
50505-KUDU		50505-KUDU-900	STOPPER RUBBER STAND	STOPPER RUBBER STAND	1	
50505-LEA7		50505-LEA7-E00	STOPPER RUBBER	STOPPER RUBBER	1	
50506		50506-KHE7-E00	COLLAR STOPPER RUBBER	COLLAR STOPPER RUBBER	1	
50530		50530-LHG7-E00	STAND COMP.SIDE	STAND COMP.SIDE	1	
50550		50550-KKC2-E00	SPRING ASSY MAIN STAND	SPRING ASSY MAIN STAND	1	
90108		90108-KKC4-900	SCREW SIDE STAND PIVOT	SCREW SIDE STAND PIVOT	1	
93404		93404-06016-06	BOLT WASHER 6*16	BOLT WASHER 6*16	1	
94101		94101-08600	WASH PLAIN 8MM	WASH PLAIN 8MM	2	
94251		94251-08400	PIN LOCK 8MM	PIN LOCK 8MM	1	
95014		95014-72204	SPRING B1 SIDE STAND	SPRING B1 SIDE STAND	1	
95801		95801-10030-06	BOLT FLANGE 10*30	BOLT FLANGE 10*30	2	

F16

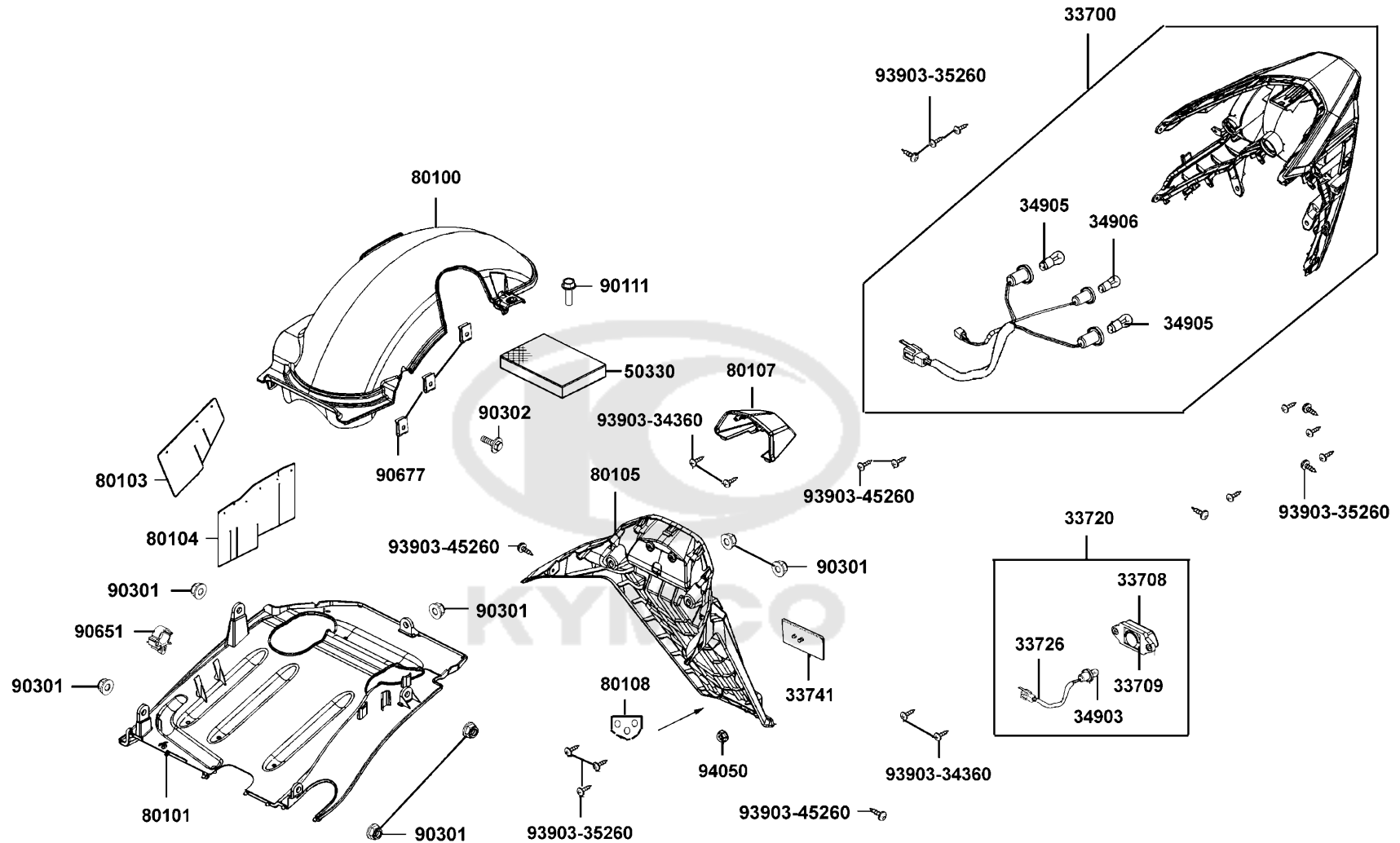
# Rear Cushion



Sales mark	Ref no	Part no	Description	Reg description	Regd no	F16
	11102	11102-1G87-004	RUB BUSH ENG HANGER	RUB BUSH ENG HANGER	1	
	43156	43156-LDB2-900	CLAMPER HOSE RR	CLAMPER HOSE RR	2	
**	52000	52000-LHG7-E00	FORK ASSY RR	FORK ASSY RR	1	
**	52400	52400-LHG7-E00	CUSHION ASSY, RR R	CUSHION ASSY, RR R	1	
**	52500	52500-LHG7-E00	CUSHION ASSY, RR L	CUSHION ASSY, RR L	1	
	90131	90131-KFAF-900	BOLT FLANGE 8*42	BOLT FLANGE 8*42	2	
	90302	90302-KFC2-900	BOLT WASHER 5*25	BOLT WASHER 5*25	2	
	90304	90304-GHE8-004	NUT U 10MM	NUT U 10MM	2	
	91255-LGE5	91255-LGE5-E00	OIL SEAL 30*48*7	OIL SEAL 30*48*7	1	
	91255-LLB1	91255-LLB1-900	OIL SEAL 30*40*7	OIL SEAL 30*40*7	1	
	94520	94520-47000	CIR CLIP IN 47	CIR CLIP IN 47	1	
	95801-10035	95801-10035-06	BOLT FLANGE 10*35	BOLT FLANGE 10*35	2	
	95801-10040	95801-10040-06	BOLT FLANGE 10*40	BOLT FLANGE 10*40	2	
	96001	96001-06012-08	BOLT FLANGE SH 6*12	BOLT FLANGE SH 6*12	1	
	96150	96150-62040-10	BEARING BALL RADIAL 6204	BEARING BALL RADIAL 6204	1	

F17

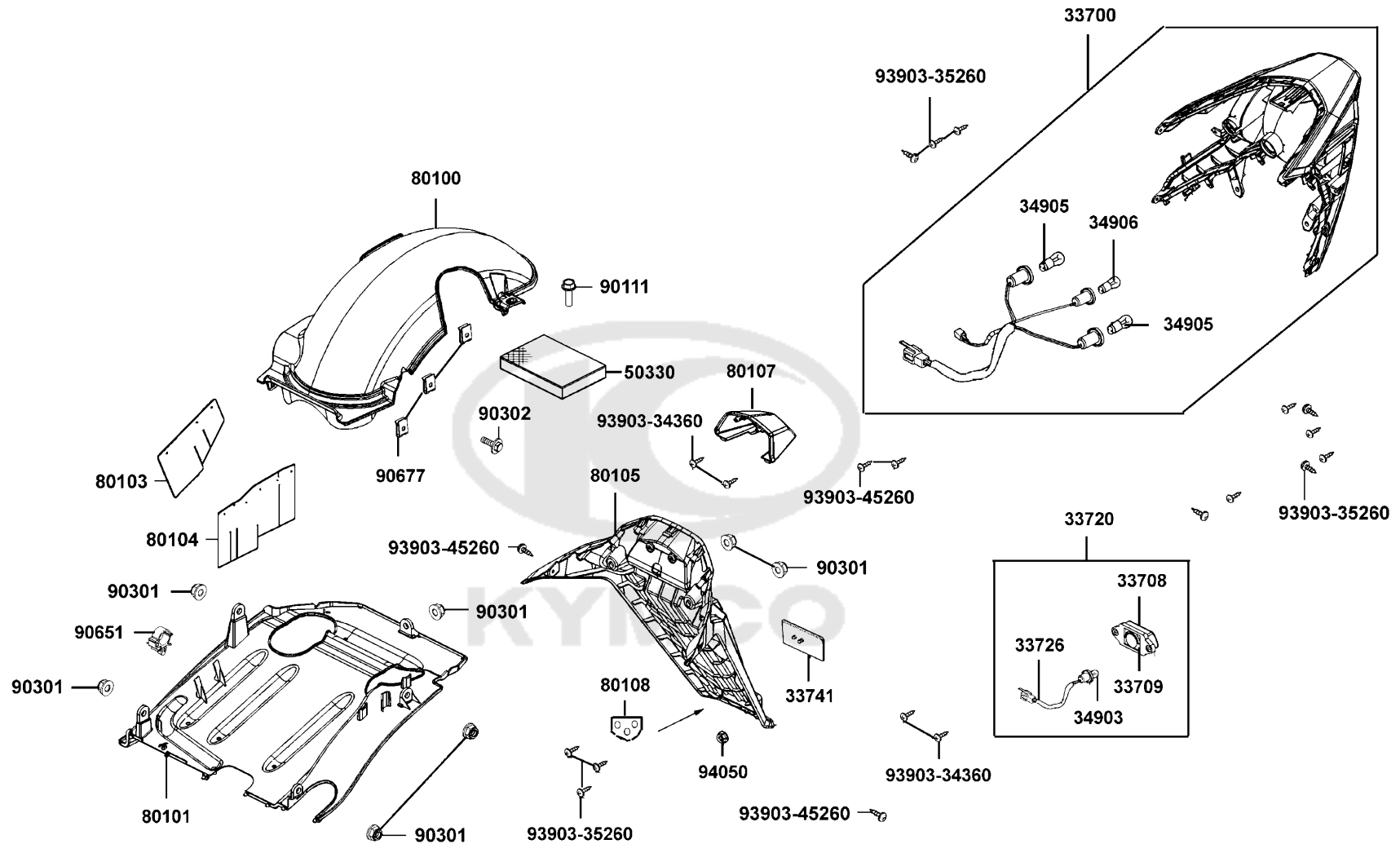
# Fender RearTail Light



Sales mark	Ref no	Part no	Description	Reg description	Regd no	F17
	33700	33700-LHG7-E00	TAIL LIGHT ASS'Y RR COM	TAIL LIGHT ASS'Y RR COM	1	
	33708	33708-KHE7-E00	LENS LICENSE	LENS LICENSE	1	
	33709	33709-KHE7-E00	BASE LICENSE	BASE LICENSE	1	
	33720	33720-LBB5-E00	LIGHT ASSY LICENSE	LIGHT ASSY LICENSE	1	
	33726	33726-LBB5-E00	SCOKET COMP	SCOKET COMP	1	
	33741	33741-KHC5-M00	REFLEX REFLECTOR	REFLEX REFLECTOR	1	
	34903	34903-KPCP-900	BULB POSITION	BULB POSITION	1	
	34905	34905-LCA5-E00	BULB WINKER	BULB WINKER	2	
	34906	34906-KPCP-900	BULB TAIL & STOP 12V21W/5W	BULB TAIL & STOP 12V21W/5W	1	
	50330	50330-LHG7-E00	SPONGE TIRE FENDER	SPONGE TIRE FENDER	1	
**	80100	80100-LHG7-E00	FENDER RR TIRE	FENDER RR TIRE	1	
**	80101	80101-LHG7-E00	FENDER RR. INNER	FENDER RR. INNER	1	
	80103	80103-LHG7-E00	GUARD SPLASH	GUARD SPLASH	1	
	80104	80104-LHG7-E00	PLATE 0 SPLASH GUARD	PLATE 0 SPLASH GUARD	1	
**	80105	80105-LHG7-E00	FENDER REAR	FENDER REAR	1	
	80107	80107-LEA7-E00	COVER LICENSE LIGHT	COVER LICENSE LIGHT	1	
	80108	80108-LEA2-900	PLATE, RR FENDER	PLATE, RR FENDER	1	
	90111	90111-KKD7-900	BOLT FLANGE 6*17	BOLT FLANGE 6*17	1	
	90301	90301-6D34-671	NUT FLANGE 6MM	NUT FLANGE 6MM	7	
	90302	90302-KFC2-900	BOLT WASHER 5*25	BOLT WASHER 5*25	1	

F17

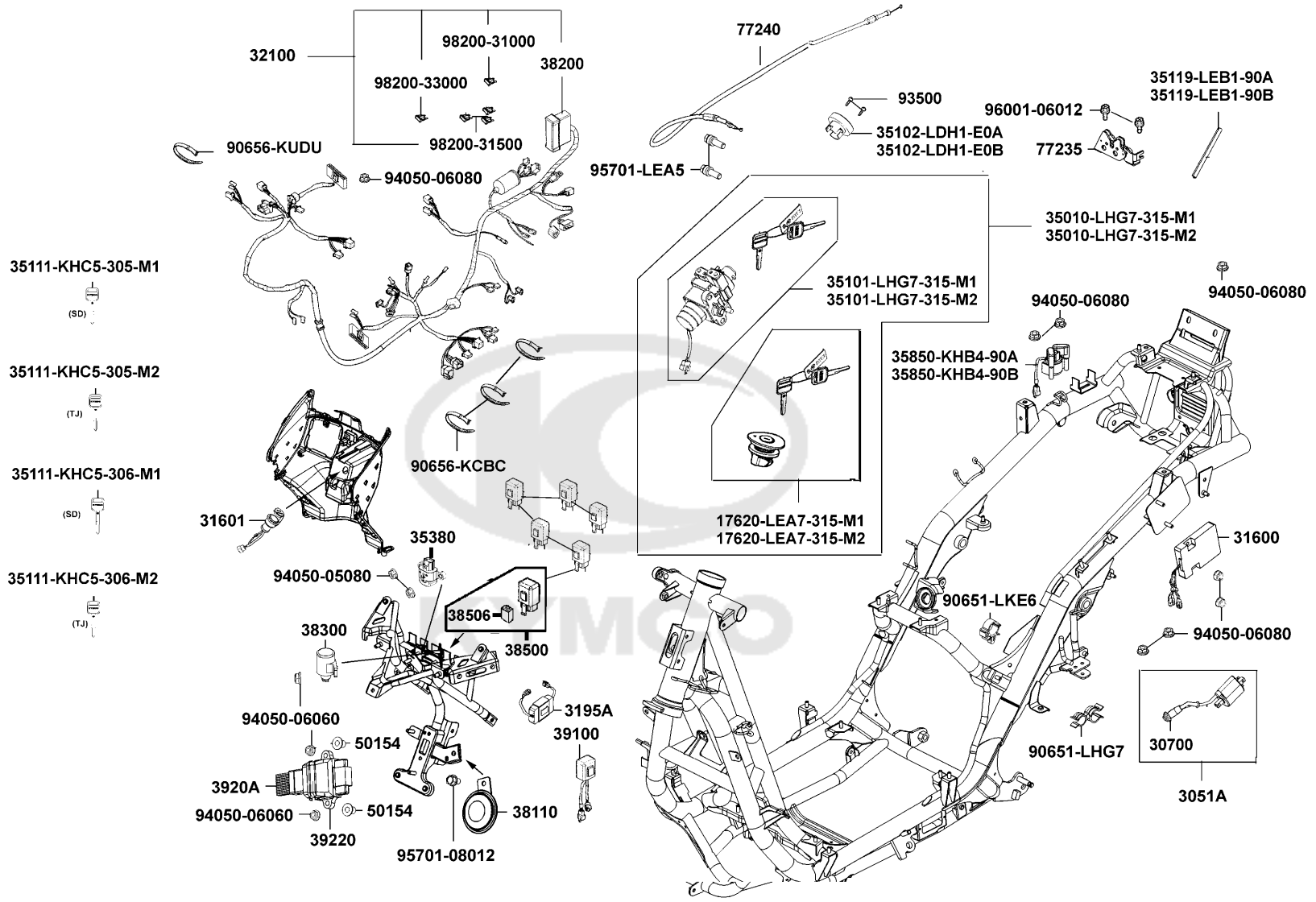
Fender RearTail Light



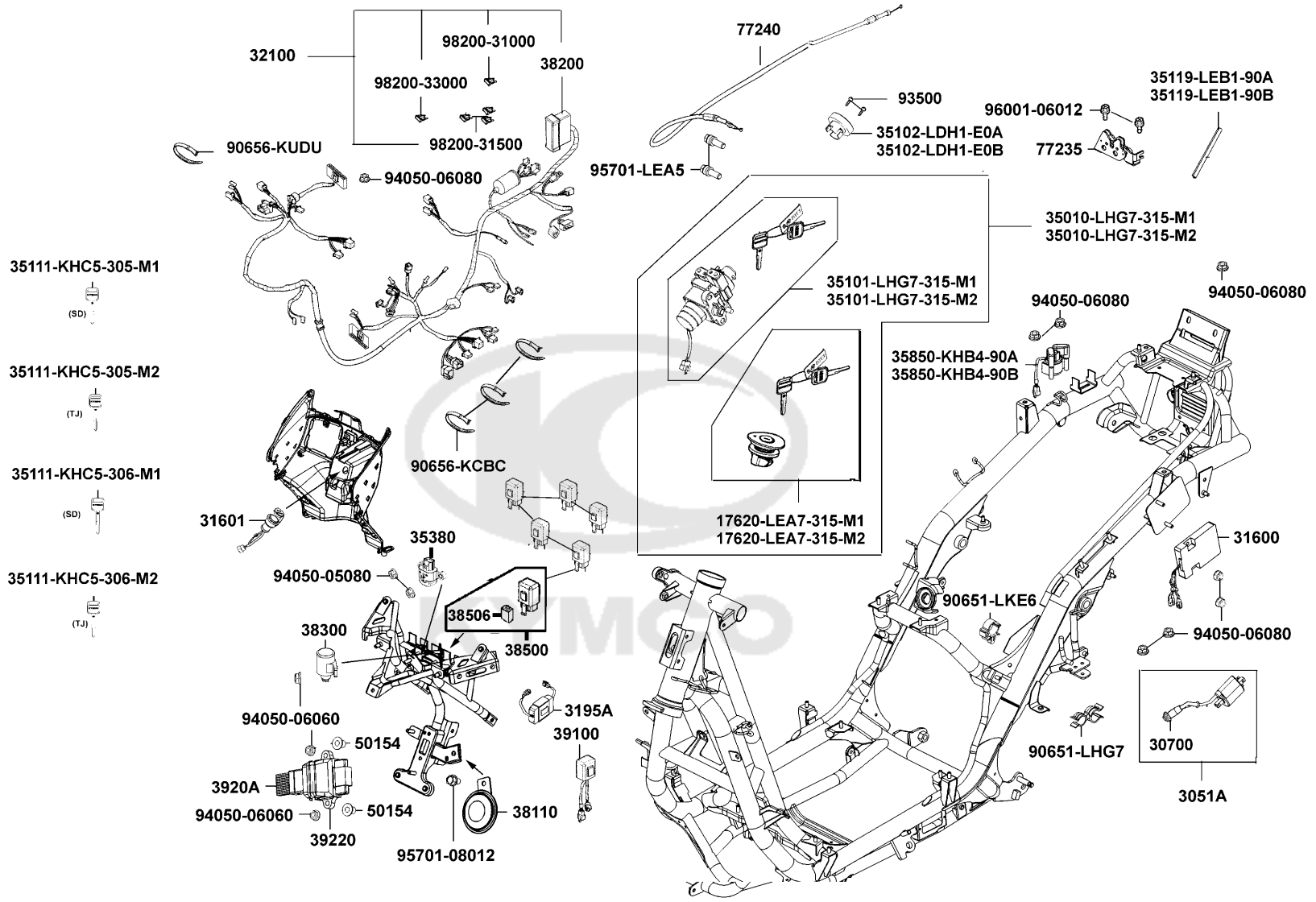


Sales mark	Ref no	Part no	Description	Reg description	Regd no	<b>F17</b>
	90651	90651-LKE6-900	CLIP CABLE	CLIP CABLE	1	
	90677	90677-GAR1-004	NUT CLIP 5MM	NUT CLIP 5MM	3	
	93903-34360	93903-34360	SCREW TAPPING 4*12	SCREW TAPPING 4*12	4	
	93903-35260	93903-35260	SCREW TAPPING 5*12	SCREW TAPPING 5*12	13	
	93903-45260	93903-45260	SCREW TAPPING 5*12	SCREW TAPPING 5*12	4	
	94050	94050-05080	NUT FLANGE 5MM	NUT FLANGE 5MM	1	

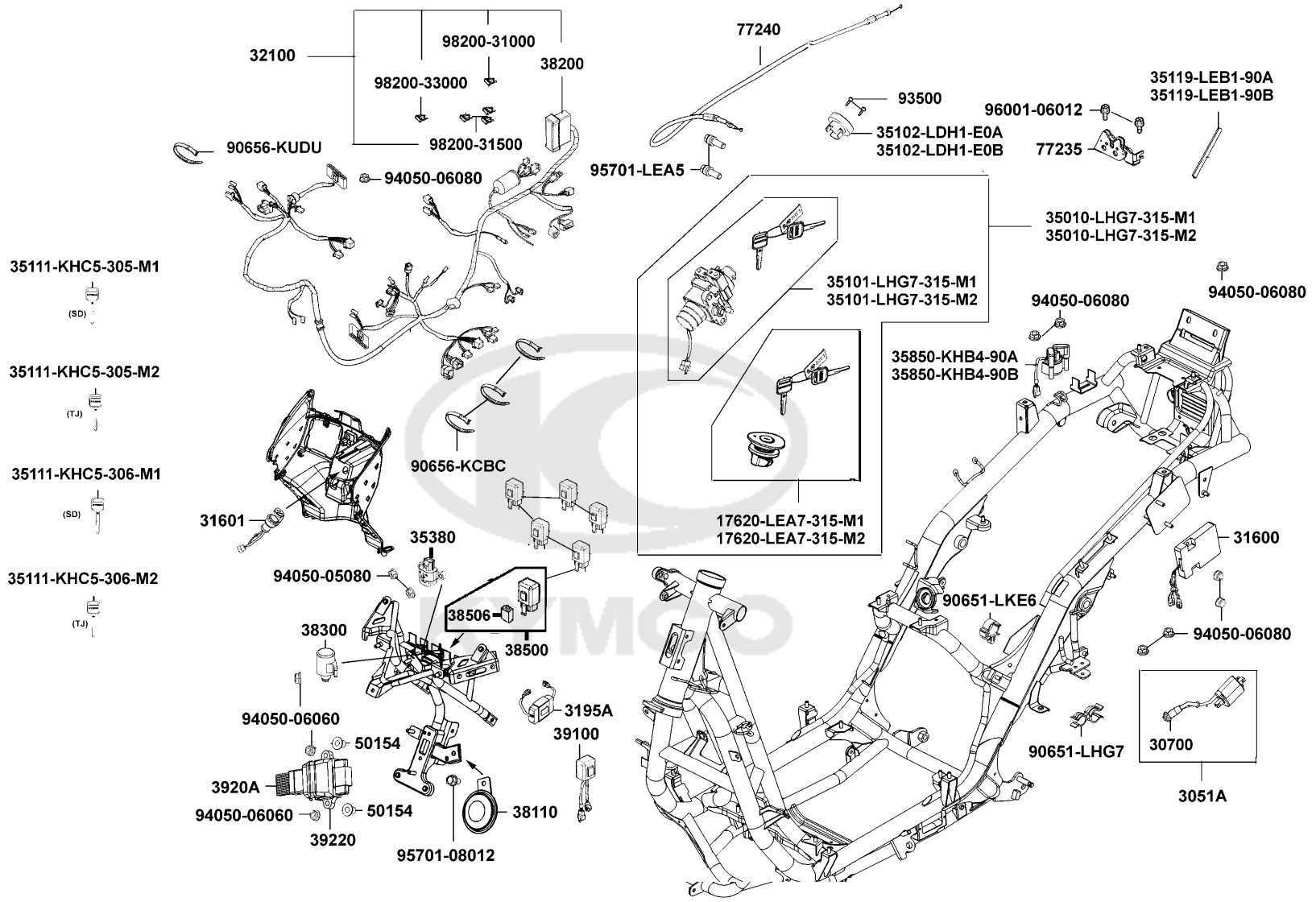




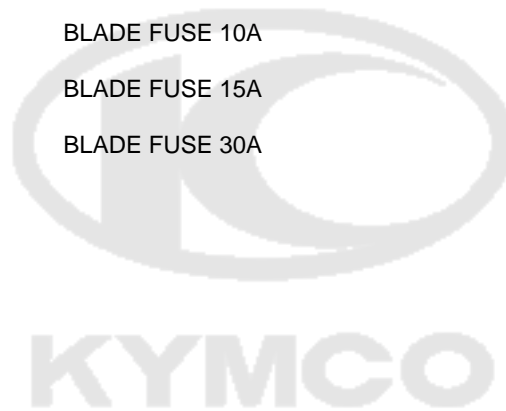
Sales mark	Ref no	Part no	Description	Reg description	Regd no	F18
	17620-LEA7-315-M1	17620-LEA7-315-M1	CAP COMP FUEL FILLER	CAP COMP FUEL FILLER	1	
	17620-LEA7-315-M2	17620-LEA7-315-M2	CAP COMP FUEL FILLER	CAP COMP FUEL FILLER	1	
	3051A	3051A-LEK1-E01	COIL ASSY IGNITION	COIL ASSY IGNITION	1	
	30700	30700-LKG2-910	CAP ASSY NOISE SUPPR	CAP ASSY NOISE SUPPR	1	
	31600	31600-LHG7-E00	REG RECT COMP	REG RECT COMP	1	
	31601	31601-LEA7-E00	SOCKET COMP..DC 12V	SOCKET COMP..DC 12V	1	
	3195A	3195A-LEA7-E05	HAZARD CONTROL ASSY	HAZARD CONTROL ASSY	1	
	32100	32100-LHG7-E00	HARNES WIRE	HARNES WIRE	1	
	35010-LHG7-315-M1	35010-LHG7-315-M1	KEY SET FOR SERVICE	KEY SET FOR SERVICE	1	
	35010-LHG7-315-M2	35010-LHG7-315-M2	KEY SET FOR SERVICE	KEY SET FOR SERVICE	1	
	35101-LHG7-315-M1	35101-LHG7-315-M1	SW COMB LOCK	SW COMB LOCK	1	
	35101-LHG7-315-M2	35101-LHG7-315-M2	SW COMB LOCK	SW COMB LOCK	1	
	35102-LDH1-E0A	35102-LDH1-E0A	COLLAR MAIN SW	COLLAR MAIN SW	1	
	35102-LDH1-E0B	35102-LDH1-E0B	COLLAR MAIN SW	COLLAR MAIN SW	1	
	35111-KHC5-305-M1	35111-KHC5-305-M1	KEY COMP	KEY COMP	1	
	35111-KHC5-305-M2	35111-KHC5-305-M2	KEY COMP (R TANGENT PLANE/TJ)	KEY COMP (R TANGENT PLANE/TJ)	1	
	35111-KHC5-306-M1	35111-KHC5-306-M1	KEY COMP	KEY COMP	1	
	35111-KHC5-306-M2	35111-KHC5-306-M2	KEY COMP (L TANGENT PLANE/TJ)	KEY COMP (L TANGENT PLANE/TJ)	1	
	35119-LEB1-90A	35119-LEB1-90A	COVER SEAT CABLE	COVER SEAT CABLE	1	
	35119-LEB1-90B	35119-LEB1-90B	COVER SEAT CABLE	COVER SEAT CABLE	1	



Sales mark	Ref no	Part no	Description	Reg description	Regd no	F18
	35380	35380-LKG2-900	SENSOR ANGLE DETECT	SENSOR ANGLE DETECT	1	
	35850-KHB4-90A	35850-KHB4-90A	SET START MAG	SET START MAG	1	
	35850-KHB4-90B	35850-KHB4-90B	SET START MAG	SET START MAG	1	
	38110	38110-KKC3-90B	HORN COMP	HORN COMP	1	
	38200	38200-KHE7-900	BOX COMP FUSE	BOX COMP FUSE	1	
	38300	38300-LEA7-E00	RELAY COMP WINKER	RELAY COMP WINKER	1	
	38500	38500-LGL3-90A	RELAY ASSY LIGHT/D402	RELAY ASSY LIGHT/D402	1	
	38500	38500-LGL3-90B	RELAY ASSY LIGHT/D106	RELAY ASSY LIGHT/D106	1	
	38500	38500-LGL3-90D	RELAY COMP. START	RELAY COMP. START	1	
	38506	38506-KHD8-900	CUSHION START RELAY	CUSHION START RELAY	1	
	39100	39100-KKE5-E01	EMI FILTER MOTOR	EMI FILTER MOTOR	1	
	3920A	3920A-LHG7-E80	ASSY ECU	ASSY ECU	1	
	39220	39220-LKG2-900	CUSHION ECU	CUSHION ECU	1	
	50154	50154-KKE3-900	COLLAR ECU	COLLAR ECU	2	
	77235	77235-LEA1-900	CATCH COMP SEAT	CATCH COMP SEAT	1	
	77240	77240-LHG7-E00	CABLE, SEAT LOCK	CABLE, SEAT LOCK	1	
	90651-LHG7	90651-LHG7-E00	STOPPER RING	STOPPER RING	1	
	90651-LKE6	90651-LKE6-900	CLIP CABLE	CLIP CABLE	1	
	90656-KCBC	90656-KCBC-900	BAND OIL HANDLE	BAND OIL HANDLE	3	
**	90656-KUDU	90656-KUDU-900	BAND HARNESS WIRE	BAND HARNESS WIRE	4	



Sales mark	Ref no	Part no	Description	Reg description	Regd no	F18
	93500	93500-KHC4-90A	SCREW PAN 5*10	SCREW PAN 5*10	2	
	94050-05080	94050-05080	NUT FLANGE 5MM	NUT FLANGE 5MM	2	
	94050-06060	94050-06060	NUT FLANGE 6MM	NUT FLANGE 6MM	3	
	94050-06080	94050-06080	NUT FLANGE 6MM	NUT FLANGE 6MM	8	
	95701-08012	95701-08012-06	BOLT FLANGE 8*12	BOLT FLANGE 8*12	1	
	95701-LEA5	95701-LEA5-E00	BOLT TORQUE 8*25	BOLT TORQUE 8*25	2	
	96001-06012	96001-06012-08	BOLT FLANGE SH 6*12	BOLT FLANGE SH 6*12	2	
	98200-31000	98200-31000	BLADE FUSE 10A	BLADE FUSE 10A	1	
	98200-31500	98200-31500	BLADE FUSE 15A	BLADE FUSE 15A	3	
	98200-33000	98200-33000	BLADE FUSE 30A	BLADE FUSE 30A	1	



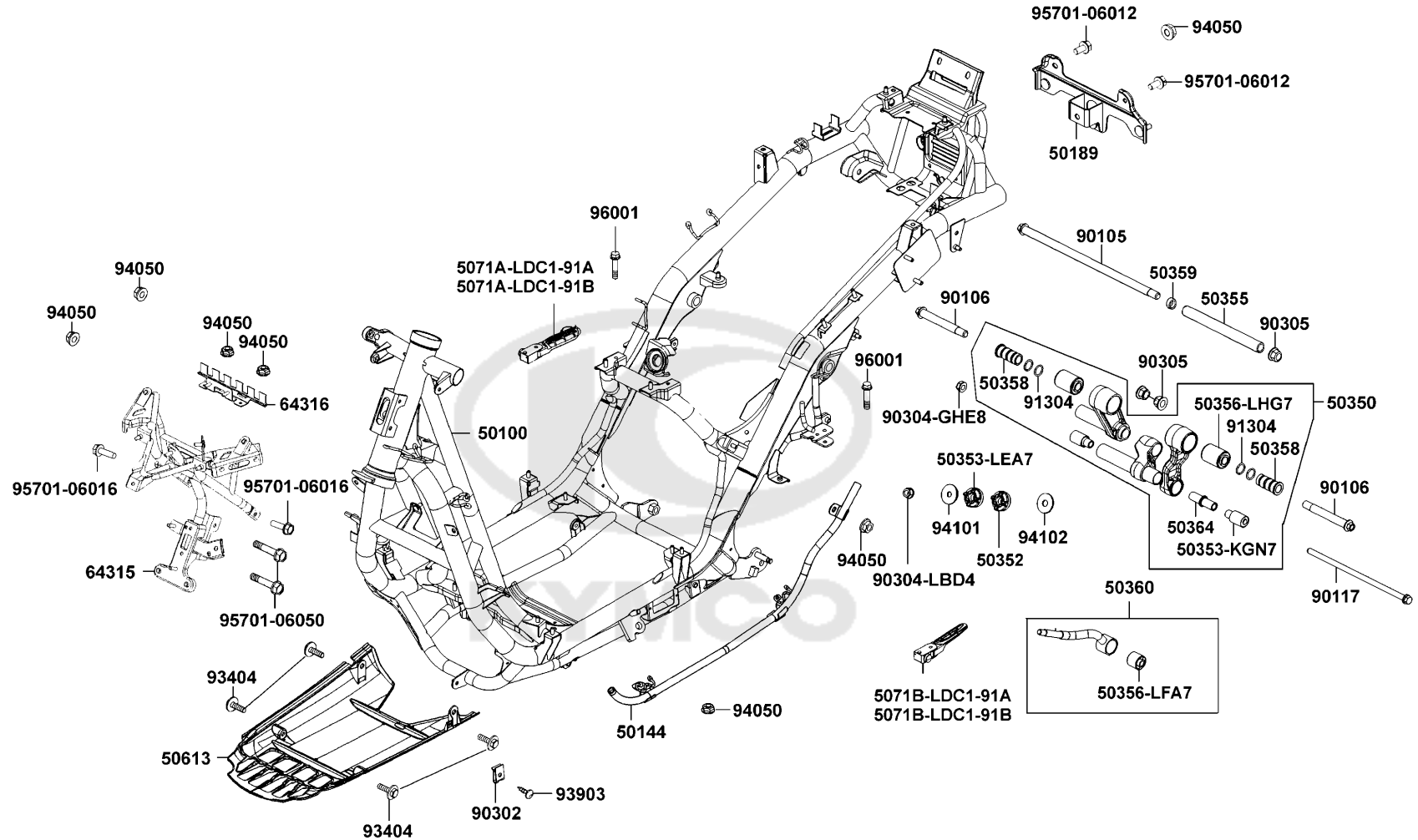




Sales mark	Ref no	Part no	Description	Reg description	Regd no	F19
	50100	50100-LKG3-E00	BODY COMP.,FRAME	BODY COMP.,FRAME	1	
	50144	50144-LHG7-E00	PROTECTOR PIPE FR.,SEAT WIRE	PROTECTOR PIPE FR.,SEAT WIRE	1	
	50189	50189-LHG7-E00	STAY TAIL LIGHT	STAY TAIL LIGHT	1	
	50350	50350-LHG7-E00	HANGER ASSY, ENG	HANGER ASSY, ENG	1	
	50352	50352-LBA2-E00	RUBBER STOPPER	RUBBER STOPPER	1	
	50353-KGN7	50353-KGN7-901	BUSH A ENG HANGER	BUSH A ENG HANGER	1	
	50353-LEA7	50353-LEA7-E00	RUBBER STOPPER	RUBBER STOPPER	2	
	50355	50355-LHG7-E00	COLLAR, ENGINE HANGER	COLLAR, ENGINE HANGER	1	
	50356-LFA7	50356-LFA7-E01	RUB BUSH TIE ROD	RUB BUSH TIE ROD	1	
	50356-LHG7	50356-LHG7-E00	RUBBER BUSH, ENG. HANGER	RUBBER BUSH, ENG. HANGER	2	
	50358	50358-LGE5-E00	BUSH INNER ENG HANGER	BUSH INNER ENG HANGER	2	
	50359	50359-LHG7-E00	WASHER, ENGINE HANGER	WASHER, ENGINE HANGER	1	
	50360	50360-LHG7-E00	TIE-ROD ASSY ENG	TIE-ROD ASSY ENG	1	
	50364	50364-KHE7-E00	COLLAR B ENG HANGER	COLLAR B ENG HANGER	1	
**	50613	50613-LHG7-E00	COVER UNDER	COVER UNDER	1	
	5071A-LDC1-91A	5071A-LDC1-91A	BAR STEP R ASSY	BAR STEP R ASSY	1	
	5071A-LDC1-91B	5071A-LDC1-91B	BAR STEP R ASSY	BAR STEP R ASSY	1	
	5071B-LDC1-91A	5071B-LDC1-91A	BAR STEP L ASSY	BAR STEP L ASSY	1	
	5071B-LDC1-91B	5071B-LDC1-91B	BAR STEP L ASSY	BAR STEP L ASSY	1	
	64315	64315-LHG7-E00	BRKT. ,FR COVER	BRKT. ,FR COVER	1	

F19

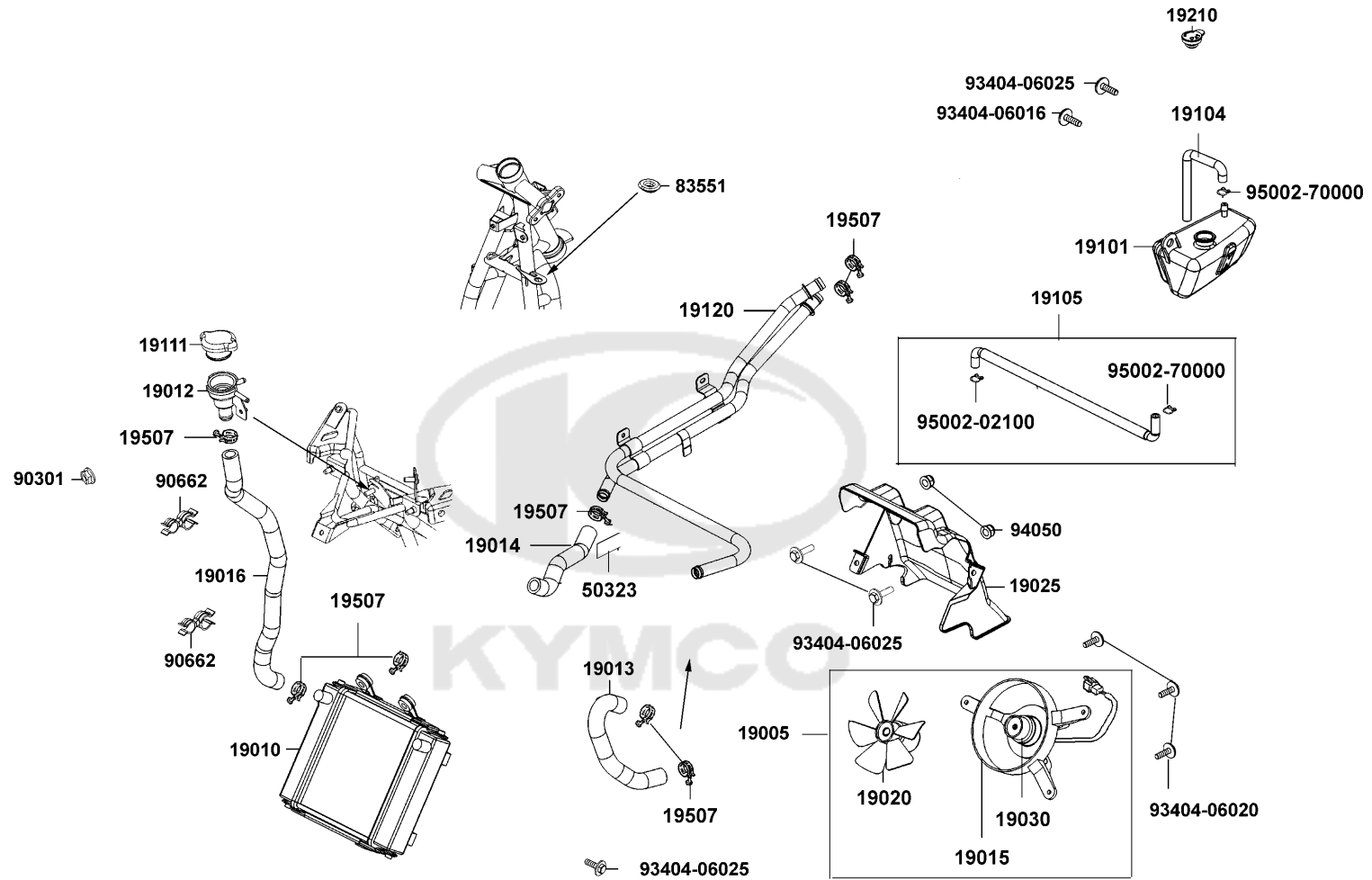
Frame Body



Sales mark	Ref no	Part no	Description	Reg description	Regd no	<b>F19</b>
64316		64316-LHG7-E00	STAY,ANGLE DETECT SENSOR	STAY,ANGLE DETECT SENSOR	1	
90105		90105-LHG7-E00	BOLT, ENGINE HANGER	BOLT, ENGINE HANGER	1	
90106		90106-LEA7-E00	BOLT FLANGE 15*118	BOLT FLANGE 15*118	2	
90117		90117-KED9-900	BOLT FLANGE 10*265	BOLT FLANGE 10*265	1	
90302		90302-LKB9-900	NUT SPRING 5MM	NUT SPRING 5MM	1	
90304-GHE8		90304-GHE8-004	NUT U 10MM	NUT U 10MM	1	
90304-LBD4		90304-LBD4-900	NUT U FLANGE 10MM	NUT U FLANGE 10MM	1	
90305		90305-LBD4-900	NUT U 14MM	NUT U 14MM	2	
91304		91304-LGE5-E00	O-RING 17.8x2.4	O-RING 17.8x2.4	4	
93404		93404-06016-06	BOLT WASHER 6*16	BOLT WASHER 6*16	4	
93903		93903-45260	SCREW TAPPING 5*12	SCREW TAPPING 5*12	1	
94050		94050-06060	NUT FLANGE 6MM	NUT FLANGE 6MM	7	
94101		94101-LBA2-E00	WASHER PLAIN 10.5*38*3.0	WASHER PLAIN 10.5*38*3.0	1	
94102		94102-LBA2-E00	WASHER PLAIN 38*12.5*3	WASHER PLAIN 38*12.5*3	1	
95701-06012		95701-06012-06	BOLT FLANGE 6*12	BOLT FLANGE 6*12	2	
95701-06016		95701-06016-06	BOLT FLANGE 6*16	BOLT FLANGE 6*16	2	
95701-06050		95701-06050-06	BOLT FLANGE 6*50	BOLT FLANGE 6*50	2	
96001		96001-06032-06	BOLT FLANGE 6*32	BOLT FLANGE 6*32	2	

F20

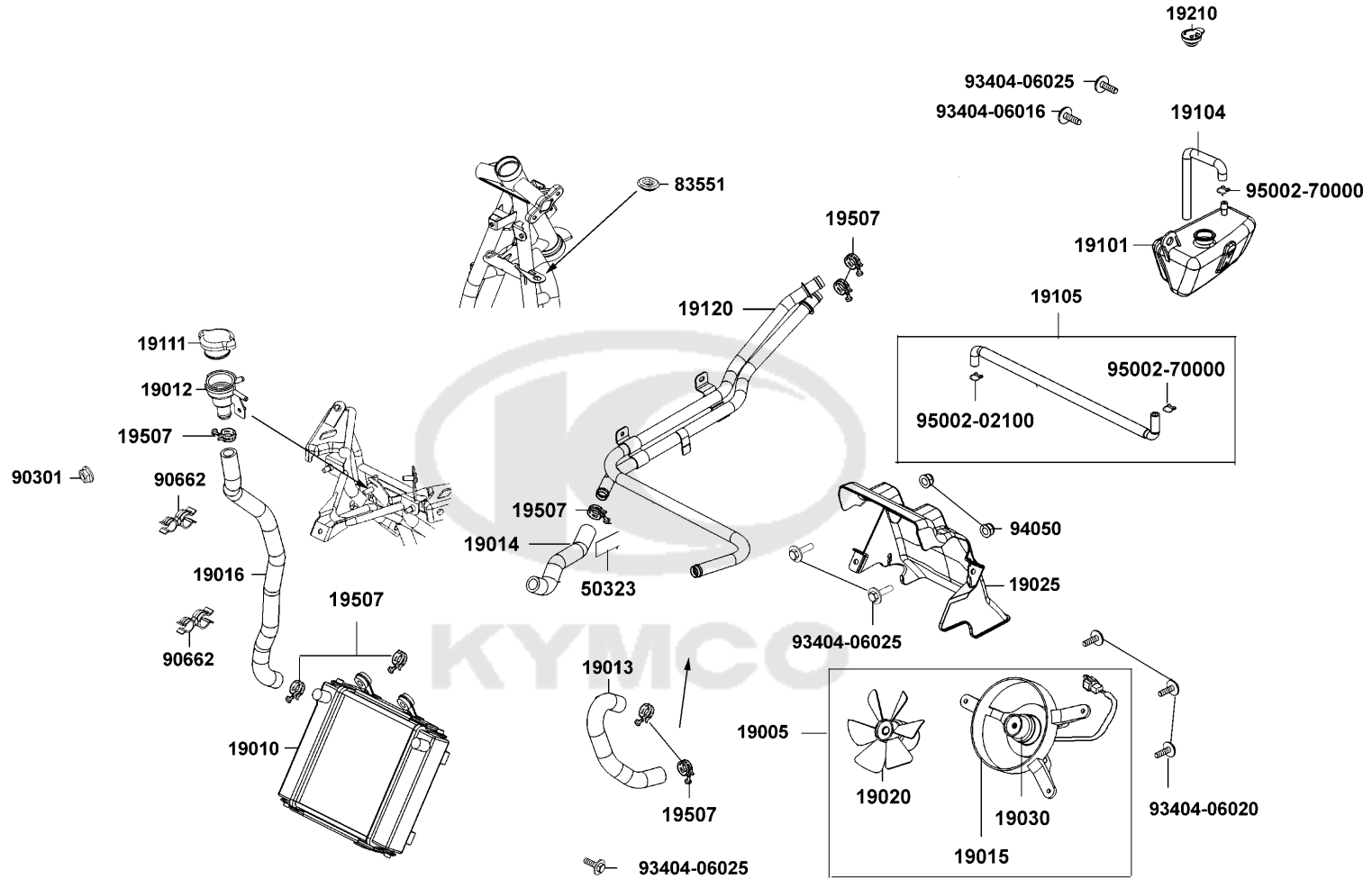
Radiator




Sales mark	Ref no	Part no	Description	Reg description	Regd no	<b>F20</b>
	19005	19005-LFA7-E00	SHROUD ASSY	SHROUD ASSY	1	
	19010	19010-LHG7-E00	RADIATOR COMP	RADIATOR COMP	1	
	19012	19012-LEA7-E05	UNIT RADIATOR	UNIT RADIATOR	1	
	19013	19013-LHG7-E00	HOSE,WATER INLET	HOSE,WATER INLET	1	
	19014	19014-LHG7-E00	HOSE WATER OUTLET	HOSE WATER OUTLET	1	
	19015	19015-LEA5-E00	SHROUD COMP	SHROUD COMP	1	
	19016	19016-LHG7-E00	HOSE WATER-UNIT CAP	HOSE WATER-UNIT CAP	1	
	19020	19020-KED9-900	FAN COOLING	FAN COOLING	1	
**	19025	19025-LHG7-E00	COVER,RADIATOR	COVER,RADIATOR	1	
	19030	19030-KHD8-900	MOTOR ASSY FAN	MOTOR ASSY FAN	1	
	19101	19101-LHG7-E00	TANK RESERVE	TANK RESERVE	1	
	19104	19104-LBA2-E00	HOSE ASSY DRAIN	HOSE ASSY DRAIN	1	
	19105	19105-LHG7-E00	HOSE ASSY RESERVE	HOSE ASSY RESERVE	1	
	19111	19111-GBE2-004	CAP COMP	CAP COMP	1	
	19120	19120-LHG7-E00	PIPE COMP..WATER	PIPE COMP..WATER	1	
	19210	19210-KKC4-900	CAP RESERVE TANK	CAP RESERVE TANK	1	
	19507	19507-LDB5-E00	CLAMP D28	CLAMP D28	8	
	50323	50323-LHG7-E00	RUBBER FRAME GUARD	RUBBER FRAME GUARD	1	
	83551	83551-KKAK-900	GROMMET AIR CLEANER CASE	GROMMET AIR CLEANER CASE	1	
	90301	90301-6D34-671	NUT FLANGE 6MM	NUT FLANGE 6MM	1	

F20

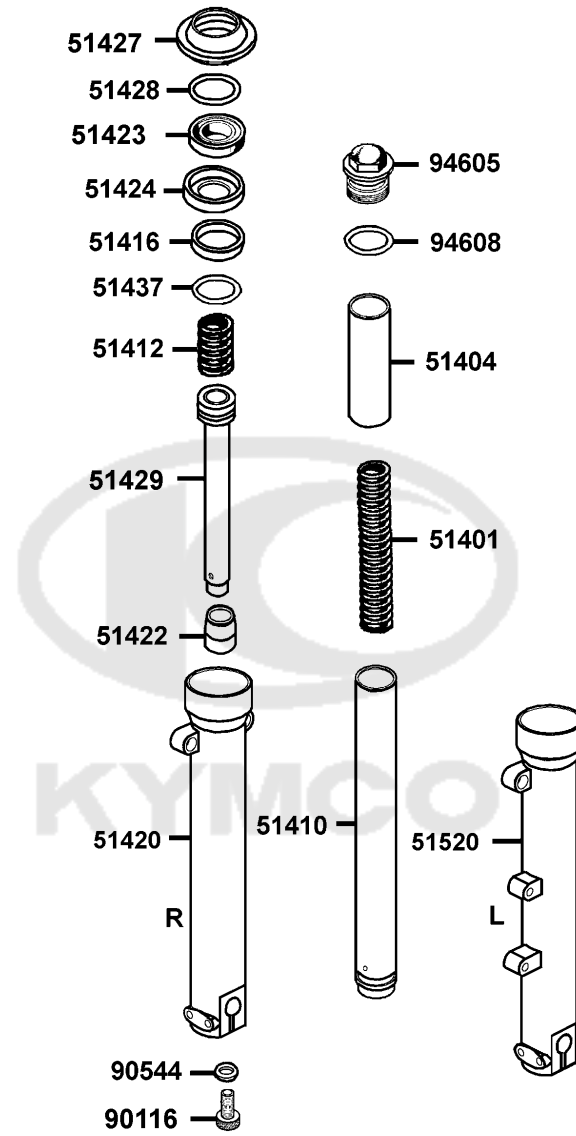
Radiator



Sales mark	Ref no	Part no	Description	Reg description	Regd no	<b>F20</b>
	90662	90662-LHG7-E00	CLIP WATER HOSE	CLIP WATER HOSE	2	
	93404-06016	93404-06016-06	BOLT WASHER 6*16	BOLT WASHER 6*16	1	
	93404-06020	93404-06020-06	BOLT WASHER 6*20	BOLT WASHER 6*20	3	
	93404-06025	93404-06025-06	BOLT WASHER 6*25	BOLT WASHER 6*25	4	
	94050	94050-06060	NUT FLANGE 6MM	NUT FLANGE 6MM	2	
	95002-02100	95002-02100	CLIP B10 TUBE	CLIP B10 TUBE	1	
	95002-70000	95002-70000	CLIP C11 TUBE	CLIP C11 TUBE	2	
						

F21

### Separated Parts Of Fr Fork





Sales mark	Ref no	Part no	Description	Reg description	Regd no	F21
	51401	51401-LHG7-E00	SPRING	SPRING	2	
	51404	51404-LHG7-E00	SPRING COLLAR	SPRING COLLAR	2	
	51410	51410-LHG7-E00	FORK PIPE COMP	FORK PIPE COMP	2	
	51412	51412-KHD8-900	REBOUND SPRING	REBOUND SPRING	2	
	51416	51416-LHG7-E00	GUIDE BUSH	GUIDE BUSH	2	
**	51420	51420-LHG7-E00	BOTTOM CASE R	BOTTOM CASE R	1	
	51422	51422-KKC4-900	OIL LOCK PIECE	OIL LOCK PIECE	2	
	51423	51423-LHG7-E00	OIL SEAL	OIL SEAL	2	
	51424	51424-LHG7-E00	SPACER	SPACER	2	
	51427	51427-LHG7-E00	DUST SEAL	DUST SEAL	2	
	51428	51428-LHG7-E00	RING OIL SEAL STOPPER	RING OIL SEAL STOPPER	2	
	51429	51429-LHG7-E00	PIPE SEAT COMP	PIPE SEAT COMP	2	
	51437	51437-LHG7-E00	PISTON RING	PISTON RING	2	
**	51520	51520-LHG7-E00	BOTTOM CASE L	BOTTOM CASE L	1	
	90116	90116-LHG7-E00	SOCKET BOLT	SOCKET BOLT	2	
	90544	90544-KEC8-900	PACKING	PACKING	2	
	94605	94605-LHG7-E00	FORK BOLT CAP	FORK BOLT CAP	2	
	94608	94608-LHG7-E00	O-RING	O-RING	2	

Caution Label

● Be sure to wear a safety helmet when riding.  
 ● Do not exceed the speed specified by law when riding.  
 ● The exhaust muffler temperature is very high after riding. Be sure to park the motorcycle in a place not easily touched by people.  
 ● For riding safety and good performance, do not violate the law to modify the motorcycle.  
 ● Please read the User's Manual carefully to secure driving safety.

● Make sure to perform the periodic maintenance and periodic inspection.

Periodic Inspection Items

Brake Performance, tires, engine oil level lights, horn, and instrument panel

KWANG YANG MOTOR CO., LTD.

87560

**CAUTIONS**

Every 5000 km run should exchange the filter.

KBE-500

87512

**CAUTIONS**

Tire Size (One Rider)	:Front 120/70-13	Rear 140/70-12
(Two Rider)	:Front 1.75kgf/cm <sup>2</sup>	Rear 2.25kgf/cm <sup>2</sup>
	:Front 2.00kgf/cm <sup>2</sup>	Rear 2.50kgf/cm <sup>2</sup>

Load Capacity:Shield 1.5ka Clip assv center 3kg  
 (As per KYMCO standard specification )  
 (Note:The tire pressure must not overpass 2.80kgf/cm)

- Check the moter oil level with the dipstick after refilling motor oil,
- Full Capacity : 1.1 ℓ Exchange Capacity : 0.9 ℓ

87505

**CAUTIONS**

Before starting the engine,the side stand shall be kicked up to secure safety.

87541-GAR1

**CAUTION**

Mobile phone charge only , Use other appliance may cause damage .

KKC2-E020

87541-KKC2

**CAUTIONS**

Never put any article between the rear side cover and the engine to avoid interference of riding.

GM9-300

87542

Sales mark	Ref no	Part no	Description	Reg description	Regd no	<b>F22</b>
**	87505	87505-LEA5-E00	LABEL TIRE	LABEL TIRE	1	
**	87512	87512-KEBE-E00	CAUTION FILTER	CAUTION FILTER	1	
**	87541-GAR1	87541-GAR1-E00	CAUTION SIDE STAND	CAUTION SIDE STAND	1	
**	87541-KKC2	87541-KKC2-E00	CAUTION MOBILE PHONE	CAUTION MOBILE PHONE	1	
**	87542	87542-GAR1-E00	MARK MAINT CAUTION	MARK MAINT CAUTION	1	
**	87560	87560-GFY6-E00	MARK DRIVE CAUTION	MARK DRIVE CAUTION	1	



*G-DINK 300i*

86202

87140



86102-LGE5

Sales mark	Ref no	Part no	Description	Reg description	Regd no	<b>F23</b>
**	86102-LGE5	86102-LGE5-E00	EMB K-LOGO 20mm	EMB K-LOGO 20mm	1	
**	86202	86202-LHG7-E00	EMB BODY COVER	EMB BODY COVER	2	
**	87140	87140-LHG7-E00	EMB MARK 300i	EMB MARK 300i	1	



## PART NO. INDEX

PART NO.	VERSION	PAGE	PART NO.	VERSION	PAGE	PART NO.	VERSION	PAGE
			11192-KHE7-900	0	E01	12200-LHG7-E00	1	E02
			11192-KHE7-980	1	E01	12205-KHE8-301	4	E02
			11200-KKC4-305	2	E01	12209-GDB4-68A	0	E02
0901-880-6000	0	E08	11211-LHG7-E00	0	F13	12209-GDB4-68B	0	E02
0901-911-6000	0	E08	1122A-LHG7-E00	4	E07	1221A-LDB2-E00	3	E02
0901-914-6001	0	E08	11235-LHG7-E00	3	E04	12251-KHE7-901	1	E02
			11330-KHE7-900	6	E04	12310-LDB2-E00	3	E02
			11341-LHG7-E00	5	E01	12361-GFY6-901	1	E04
			11342-LHG7-E00	2	E01	12391-LDB2-E00	1	E02
			11343-LHG7-E00	2	E01			
1090-873-2001	0	E08	11345-LHG7-E00	5	E01	<b>13000</b>		
1190-C74-2000	0	E08	11346-GFY6-901	0	E01			
1190-C75-2000	0	E08	11350-LHG7-E00	2	E01	13000-LFG2-E00	6	E03
1614-868-0000	0	E08	11383-KUDU-900	0	E01	13011-LHG7-E00	2	E03
1614-906-0002	0	E08	11384-KUDU-900	0	F06	13101-LHG7-E00	5	E03
			11387-LHG7-E00	4	E02	13111-LDB2-E00	1	E03
			11391-LHG7-E00	2	E01			
			11394-KHE7-900	1	E04	<b>14000</b>		
			11394-KHE7-980	1	E04			
			11395-KHE7-900	0	E01	14100-LFG2-E00	2	E02
			11395-KHE7-980	1	E01	14150-LDB2-E00	2	E02
						14401-LDE9-E00	2	E03
			<b>12000</b>			14431-LDB2-E00	1	E02
11100-LDB2-305	0	E01				14450-KEBE-900	0	E02
11102-1G87-004	3	E01				14452-LDB2-E00	1	E02
11102-1G87-004	3	F16				14510-LDE9-E00	2	E03
11103-KHE7-900	0	E01	12100-LDE9-E00	3	E03			
11110-LLJ3-E00	2	E01	12191-KHE7-910	2	E03			

## PART NO. INDEX

PART NO.	VERSION	PAGE	PART NO.	VERSION	PAGE	PART NO.	VERSION	PAGE
14520-GFY6-90A	1	E03				17561-LKB9-900	1	F10
14523-KED9-900	0	E03	<b>16000</b>			17580-LHG7-E00	1	F10
14531-KHE7-900	1	E03				17620-LEA7-315-M1	0	F18
14610-LDE9-E00	1	E03	1610K-LHG7-E00	2	E08	17620-LEA7-315-M2	0	F18
14711-LFG2-E00	1	E02	16201-LHG7-E00	1	E02	17685-KZCZ-900	0	F05
14721-LFG2-E00	1	E02	16211-LDF2-900	1	E02	17685-LHG7-E00	8	F10
14751-KHE7-900	0	E02				17689-LHG7-E00	2	F10
14761-KHE7-900	0	E02	<b>17000</b>			17910-LHG7-E00	4	F03
14771-GDB4-680	2	E02				17911-LHG7-E00	3	F03
14775-MFA6-001	0	E02	17113-LHG7-E00	2	E02			
14781-MFA6-001	0	E02	1711A-LDF2-M90	0	E02	<b>18000</b>		
<b>15000</b>			17208-GAR1-011	0	F13			
			17214-LLJ3-E00	1	F13	18291-KKC4-900	1	F14
			17228-LHG7-E00	2	F13	18291-LBA7-900	2	F14
15100-KKC3-900	3	E06	17236-LHG7-E00	4	F13	18292-KEBE-900	0	F14
15133-KAM1-001	1	E06	1723A-LHG7-E00	4	F13	18293-KEBE-900	0	F14
15141-KKJ9-004	0	E06	1723B-LHG7-E00	2	F13	18294-KEBE-900	0	F14
15421-1G07-001	1	E04	1723C-LHG7-E00	1	F13	18294-LDB2-900	0	F14
15426-GAE1-921	0	E04	17370-4K19-670	0	F13	18306-LHG7-E00	1	F14
15441-1K49-001	0	E03	17371-1D74-671	0	F13	1830A-LHG7-E00	5	F14
15447-1K49-001	0	E03	1737A-LHG7-E00	3	F13	18310-LHG7-E00	6	F14
1565A-LHG7-E00	2	E04	17500-LHG7-E00	2	F10	18318-LHG7-E00	1	F14
15711-KHE7-900	0	E06	17502-LHG7-E00	2	F10	18320-LHG7-E00	5	F14
			17504-LHG7-E00	1	F10	18325-LGE5-E00	0	F14
			17530-LHG7-E00	1	F05	18371-LDB2-E00	1	F14
			17550-LGE5-E00	1	F10	18391-LDH1-E00	2	F14

## PART NO. INDEX

PART NO.	VERSION	PAGE	PART NO.	VERSION	PAGE	PART NO.	VERSION	PAGE	
<b>19000</b>			19315-LHG7-E00	1	E02	22300-LHG7-900	4	E05	
			19501-LHG7-E00	4	E04	22350-LHG7-900	4	E05	
			19502-KHE7-900	0	E04	22361-LHG7-900	2	E05	
	19005-LFA7-E00	2	F20	19503-LHG7-E00	3	E02	22401-LHG7-900	2	E05
	19010-LHG7-E00	1	F20	19505-LEA2-900	1	F10	22530-LHG7-900	2	E05
	19012-LEA7-E05	1	F20	19507-LDB5-E00	1	E02	22804-GBB2-001	0	E05
	19013-LHG7-E00	1	F20	19507-LDB5-E00	1	E04			
	19014-LHG7-E00	2	F20	19507-LDB5-E00	1	F20	<b>23000</b>		
	19015-LEA5-E00	1	F20						
	19016-LHG7-E00	4	F20	<b>21000</b>			2301A-LHG7-900	5	E05
	19020-KED9-900	1	F20				2301A-LHG7-910	4	E05
	19025-LHG7-E00	1	F20	21200-KHE7-305	0	E07	23100-LHG7-E00	1	E05
	19030-KHD8-900	2	F20	21395-KHE7-900	0	E07	23200-LHG7-900	1	E05
	19101-LHG7-E00	1	F20	21395-KHE7-980	1	E07	23200-LHG7-910	1	E05
	19104-LBA2-E00	1	F20				23220-LHG7-900	1	E05
	19105-LHG7-E00	1	F20	<b>22000</b>			23225-KHE7-900	0	E05
	19111-GBE2-004	1	F20				23226-GHC8-004	0	E05
	19120-LHG7-E00	5	F20	22100-LGF9-B71	3	E05	23233-LEA7-E00	5	E05
	19210-KKC4-900	0	F20	22100-LHG7-910	3	E05	23237-KHE7-900	0	E05
	19215-LHG7-E00	2	E04	22102-KHE7-900	3	E05	23238-KHE7-900	0	E05
19217-6G57-024	0	E04	22105-LHG7-E00	1	E05	23411-KHE7-900	4	E07	
19220-LHG7-305	0	E04	22110-LFG1-E00	2	E05	23411-LHG7-910	2	E07	
19229-KHE7-900	1	E04	22112-KHE7-900	1	E05	23420-LHG7-E00	5	E07	
19231-KKJ9-011	0	E04	22121-KHE7-90A	1	E05	23431-KHE7-900	2	E07	
19300-KAE1-004	1	E02	22131-LBA7-900	1	E05	23432-LHG7-E00	4	E07	
19310-LDF2-900	2	E02	22132-KHE7-900	2	E05				



## PART NO. INDEX

PART NO.	VERSION	PAGE	PART NO.	VERSION	PAGE	PART NO.	VERSION	PAGE
<b>28000</b>			<b>32000</b>			33902-LHG7-E00	0	F12
						33903-LHG7-E00	0	F12
28101-KHE7-900	0	E06	32100-LHG7-E00	8	F18	<b>34000</b>		
28102-KHE7-900	0	E06	32101-LEA7-E00	1	E02			
28110-LDB2-E00	4	E06	32311-LHG7-E00	1	E02	34901-KED9-900	0	F01
28120-LDB2-E00	0	E06	32410-LHG7-E00	1	E06	34903-KPCP-900	0	F17
			32411-LHG7-E00	4	F11	34905-LCA5-E00	0	F17
<b>30000</b>			32412-LKB9-900	1	E04	34905-LHG7-E00	0	F01
			32413-LHG7-E00	3	F11	34906-KPCP-900	0	F17
3051A-LEK1-E01	1	F18	<b>33000</b>					
30700-LKG2-910	1	F18				<b>35000</b>		
<b>31000</b>			33100-LHG7-E00	6	F01	35010-LHG7-315-M1	0	F18
			33101-LHG7-E00	0	F01	35010-LHG7-315-M2	0	F18
31110-LHG7-E00	1	E06	33120-LHG7-E00	0	F01	35101-LHG7-315-M1	1	F18
31120-LHG7-E00	3	E06	33400-LHG7-E00	0	F03	35101-LHG7-315-M2	1	F18
31205-KKJ9-000	0	E06	33450-LHG7-E00	0	F03	35102-LDH1-E0A	0	F18
31210-KHE7-90A	1	E06	33700-LHG7-E00	5	F17	35102-LDH1-E0B	0	F18
31340-LHG7-E00	5	F07	33708-KHE7-E00	0	F17	35111-KHC5-305-M1	0	F18
31500-LEA6-900	5	F11	33709-KHE7-E00	0	F17	35111-KHC5-305-M2	0	F18
31500-LEA6-90B	2	F11	33720-LBB5-E00	3	F17	35111-KHC5-306-M1	0	F18
31600-LHG7-E00	3	F18	33726-LBB5-E00	1	F17	35111-KHC5-306-M2	0	F18
31601-LEA7-E00	2	F18	33741-KHC5-M00	0	F17	35119-LEB1-90A	0	F18
3195A-LEA7-E05	1	F18	33900-LHG7-E00	4	F12	35119-LEB1-90B	0	F18
			33901-LHG7-E00	0	F12	3515A-LHG7-E00	1	F03

## PART NO. INDEX

PART NO.	VERSION	PAGE	PART NO.	VERSION	PAGE	PART NO.	VERSION	PAGE
3520A-LHG7-E00	1	F03				42710-KKC2-E00	2	F08
35340-KNBN-901	0	F04	<b>38000</b>			42753-KNBN-90B	1	F07
35350-KNBN-901	0	F04				42753-KNBN-90B	1	F08
35370-LLJ3-E00	3	F15	38110-KKC3-90B	2	F18			
35380-LKG2-900	1	F18	38200-KHE7-900	0	F18	<b>43000</b>		
35390-LHG7-E00	4	F12	38300-LEA7-E00	2	F18			
35850-KHB4-90A	2	F18	38500-LGL3-90A	2	F18	43100-LHG7-E00	3	F08
35850-KHB4-90B	3	F18	38500-LGL3-90B	2	F18	43105-LHG7-305	0	F08
			38500-LGL3-90D	2	F18	43109-GBN2-007	0	F08
<b>37000</b>			38506-KHD8-900	0	F18	43109-MCA3-007	0	F07
						43126-LHG7-E00	5	F04
37119-LEA5-E0A	0	F02	<b>39000</b>			43156-LDB2-900	2	F16
37119-LEA5-E0B	0	F02				43351-LFB5-900	2	F08
37200-LHG7-E0A	5	F02	39100-KKE5-E01	4	F18	43352-KED9-900	0	F07
37200-LHG7-E0B	2	F02	3920A-LHG7-E80	0	F18	43352-KKD6-E90	1	F08
37213-LDA6-90A	0	F02	39220-LKG2-900	1	F18	43353-4A61-77A	0	F08
37213-LEA5-E0B	0	F02	39300-LHG7-E00	2	E02	43353-KED9-900	0	F07
37216-LHG7-E0A	0	F02	39301-LDF2-M90	2	E02	43530-KHD4-305	0	F04
37216-LHG7-E0B	0	F02	39400-LDF2-800	2	E02			
37217-LEA5-E0A	0	F02	39450-LDF2-800	3	F14	<b>44000</b>		
37720-KGB5-900	0	E02						
37750-PAC1-005	0	E02	<b>42000</b>			44301-LLJ3-E00	4	F07
37801-GGA7-701	1	F10				44312-LGE5-E00	3	F07
37802-GGA7-701	2	F10	42311-KHE7-E00	0	F08	44600-LHG7-305	0	F07
3780A-LHG7-E00	1	F10	42312-KHE7-E00	0	F08	44601-LHG7-E00	3	F07
			42601-LHG7-E01	4	F08	44620-LLJ3-E00	1	F07

## PART NO. INDEX

PART NO.	VERSION	PAGE	PART NO.	VERSION	PAGE	PART NO.	VERSION	PAGE
44710-LEA5-E00	1	F07	45517-KFAF-910	0	F04	50359-LHG7-E00	1	F19
44800-LHG7-E00	9	F07	45520-GLW0-91A	0	F04	50360-LHG7-E00	3	F19
<b>45000</b>			45530-LHG7-305	0	F04	50364-KHE7-E00	0	F19
			45531-GAR1-951	0	F08	50500-LHG7-E00	2	F15
			45531-KED9-900	0	F07	50502-LDF7-E10	0	F15
	45105-LEA7-305	0	F07			50504-LHG7-E00	3	E01
	45107-KED9-900	0	F07	<b>50000</b>		50505-KUDU-900	1	F15
45107-LEA7-E00	0	F07			50505-LEA7-E00	1	F15	
45107-MEN5-007	0	F08	50100-LKG3-E00	3	F19	50506-KHE7-E00	0	F15
45108-LDH1-E00	0	F08	50144-LHG7-E00	5	F19	50530-LHG7-E00	4	F15
45108-LEA7-E00	0	F07	50154-KKE3-900	2	F18	50550-KKC2-E00	0	F15
45109-KED9-900	0	F07	50179-LHG7-E00	5	F10	50613-LHG7-E00	1	F19
45126-LHG7-E00	4	F04	50189-LHG7-E00	1	F19	5071A-LDC1-91A	1	F19
45128-LHG7-E00	2	F06	50306-1F96-001	0	F06	5071A-LDC1-91B	1	F19
45130-KED9-900	0	F07	50323-LHG7-E00	2	F20	5071B-LDC1-91A	1	F19
45131-LDH1-E00	0	F08	5032A-LEA5-E00	3	F11	5071B-LDC1-91B	1	F19
45132-KED9-900	0	F07	5032A-LEA7-E00	2	F11			
45132-LDH1-E00	0	F08	50330-LHG7-E00	1	F17	<b>51000</b>		
45134-KED9-900	0	F07	50350-LHG7-E00	5	F19			
45200-LEA7-E00	7	F07	50352-LBA2-E00	1	F19	51400-LHG7-E00	6	F06
45209-GBN2-007	0	F08	50353-KGN7-901	0	F19	51401-LHG7-E00	0	F21
45209-KED9-900	0	F07	50353-LEA7-E00	1	F19	51404-LHG7-E00	0	F21
45210-LDF2-E00	0	F08	50355-LHG7-E00	1	F19	51410-LHG7-E00	0	F21
45210-LEA7-E00	0	F07	50356-LFA7-E01	1	F19	51412-KHD8-900	0	F21
45351-LEA5-E00	2	F07	50356-LHG7-E00	2	F19	51416-LHG7-E00	0	F21
45513-KHD4-B00	2	F04	50358-LGE5-E00	3	F19	51420-LHG7-E00	0	F21

## PART NO. INDEX

PART NO.	VERSION	PAGE	PART NO.	VERSION	PAGE	PART NO.	VERSION	PAGE	
51422-KKC4-900	0	F21	53175-LEA5-E00	1	F04	<b>64000</b>			
51423-LHG7-E00	0	F21	53178-LEA5-E00	1	F04				
51424-LHG7-E00	0	F21	53200-LKG3-E00	2	F06				
51427-LHG7-E00	0	F21	53203-LHG7-E00	2	F03		64220-LHG7-E00	3	F03
51428-LHG7-E00	0	F21	53204-LHG7-E00	6	F03		64221-LEA7-E00	2	F03
51429-LHG7-E00	0	F21	53205-LHG7-E00	3	F03		64222-LEA7-E00	2	F03
51430-LDH1-E00	0	F08	53206-LHG7-E00	3	F03		64222-LLJ3-E00	1	F03
51437-LHG7-E00	0	F21	53207-LHG7-E00	3	F03		64222-LLJ3-E00	1	F06
51500-LHG7-E00	8	F06	53213-LBA2-E00	2	F06		64223-LEA7-E00	5	F03
51520-LHG7-E00	0	F21	53214-LBA2-E00	2	F06		64224-LEA7-E00	1	F03
<b>52000</b>			53214-LHG7-E00	2	F06	64225-LEA7-E00	2	F03	
			53220-LBA2-E00	2	F06	64226-LEA7-E00	2	F03	
			53240-LBA2-E00	2	F06	64301-LHG7-E00	4	F05	
			53250-LBA2-E00	2	F06	64302-LHG7-E00	3	F05	
	52000-LHG7-E00	7	F16			64303-LHG7-E00	3	F05	
52104-LGE5-E01	0	F06	<b>55000</b>			64304-LHG7-E00	4	F05	
52400-LHG7-E00	6	F16				64305-LHG7-E00	2	F05	
52500-LHG7-E00	7	F16	55122-LHG7-E00	3	F05	64306-LHG7-E00	2	F05	
<b>53000</b>			<b>61000</b>			64307-LHG7-E00	1	F05	
						64308-LHG7-E00	1	F05	
53100-LHG7-E01	4	F03			64309-LHG7-E00	1	F05		
53102-KEC8-900	0	F03	61100-LHG7-E00	2	F06	64310-LHG7-E00	4	F05	
53105-LBB5-E00	2	F03	61110-LHG7-E00	3	F05	64311-LHG7-E00	3	F05	
53125-LEA7-E00	2	F03				64315-LHG7-E00	5	F19	
53140-KKC4-900	0	F03				64316-LHG7-E00	3	F19	
53166-KGB5-900	0	F03				64317-LHG7-E00	1	F05	

## PART NO. INDEX

PART NO.	VERSION	PAGE	PART NO.	VERSION	PAGE	PART NO.	VERSION	PAGE
64320-LHG7-E00	3	F05	80152-LHG7-E00	4	F05	83550-KEC8-900	0	F06
64330-LHG7-E00	3	F05	80153-LEA7-E00	3	F05	83551-KEC8-900	0	F06
64400-LHG7-E00	2	F05	80154-LHG7-E00	1	F05	83551-KED9-900	2	F05
<b>77000</b>			<b>81000</b>			83551-KKAK-900	0	F20
77106-KKE5-E00	1	F12	81131-LHG7-E00	6	F05	83600-LHG7-E00	2	F12
77107-KKE5-E00	1	F12	81133-LHG7-E00	1	F05	83610-LHG7-E00	4	F12
77200-LHG7-E00	8	F09	81136-LHG7-E00	1	F05	83620-LHG7-E00	3	F05
77206-KEB7-900	0	F09	81137-LHG7-E00	1	F05	83630-LHG7-E00	1	F12
77210-LHG7-E00	1	F12	8113A-LHG7-E00	3	F05	83750-LHG7-E00	2	F12
77235-LEA1-900	6	F18	81160-LHG7-E00	1	F05	8376A-KEBE-900	4	F05
77240-LHG7-E00	4	F18	81210-LHG7-E00	3	F12	<b>86000</b>		
77300-LHG8-E00	3	F09	81220-LHG7-E00	2	F12	86102-LGE5-E00	1	F23
77303-LCD3-E00	2	F09	81251-LHG7-E00	2	F12	86202-LHG7-E00	6	F23
<b>80000</b>			81252-LEA7-E00	1	F12	<b>87000</b>		
80100-LHG7-E00	3	F17	81252-LHG7-E00	2	F12	87140-LHG7-E00	2	F23
80101-LHG7-E00	4	F17	81253-LHG7-E00	3	F12	87505-LEA5-E00	1	F22
80103-LHG7-E00	2	F17	81260-LHG7-E00	4	F12	87508-KKC4-E00	1	F03
80104-LHG7-E00	1	F17	<b>83000</b>			87512-KEBE-E00	0	F22
80105-LHG7-E00	5	F17	83500-LHG7-E00	2	F12	87541-GAR1-E00	1	F22
80107-LEA7-E00	3	F17	83510-LHG7-E00	4	F12	87541-KKC2-E00	1	F22
80108-LEA2-900	0	F17	83520-LHG7-E00	2	F05	87542-GAR1-E00	2	F22
80151-LHG7-E00	2	F12	83530-LHG7-E00	1	F12	87560-GFY6-E00	3	F22

## PART NO. INDEX

PART NO.	VERSION	PAGE	PART NO.	VERSION	PAGE	PART NO.	VERSION	PAGE
87700-LBD5-E40	1	F12	90103-LEA7-E00	1	F14	90201-KHE7-900	1	E05
<b>88000</b>			90105-KCR3-001	1	F07	90201-KHR8-75A	1	E05
			90105-KCR3-001	1	F08	90201-KHR8-75A	1	E06
			90105-KHB4-900	0	F03	90202-LHG7-900	2	E05
88110-LHG7-E00	1	F03	90105-LHG7-E00	2	F19	90202-LHG7-910	0	E05
88115-LBA2-E02	1	F03	90106-GEN5-901	0	F03	90206-0A01-001	2	E02
88120-LHG7-E00	1	F03	90106-KFAF-900	2	F12	90215-KKC4-900	1	F12
88130-KEBE-900	1	F03	90106-KFC2-900	0	F03	90301-6D34-671	1	F01
<b>89000</b>			90106-KKD6-E00	0	F12	90301-6D34-671	1	F17
			90106-LEA7-E00	1	F19	90301-6D34-671	1	F20
			90107-LEA7-E00	3	F03	90301-GFY6-901	2	F14
89010-LHG7-E00	2	F09	90107-LEA7-E00	3	F06	90302-GFY6-901	1	F05
<b>90000</b>			90108-KKC4-900	1	F15	90302-GFY6-940	1	F11
			90111-1G87-001	1	F12	90302-GFY6-940	1	F12
			90111-KKD7-900	1	F17	90302-KFC2-900	1	F16
90001-GBHB-661	2	E03	90112-KNBN-901	1	F11	90302-KFC2-900	1	F17
90001-GBHB-661	2	E06	90114-1F66-007	2	F04	90302-LBF2-900	1	F06
90005-KEC8-900	3	E03	90114-LBA2-E00	1	F12	90302-LKB9-900	1	F03
90012-3C33-001	1	E02	90115-KXCX-900	1	F13	90302-LKB9-900	1	F05
90031-KEBE-900	0	E01	90116-LHG7-E00	0	F21	90302-LKB9-900	1	F12
90031-KKA7-900	0	E01	90117-KED9-900	1	F19	90302-LKB9-900	1	F19
90033-GFY6-900	0	E02	90122-LEA7-E00	1	F07	90302-LLB1-E00	2	F03
90071-MLB0-001	0	E06	90122-LHG7-E00	2	F08	90302-SDA4-004	2	F05
90084-4H28-001	0	E04	90125-LHG7-E00	1	E04	90304-GHE8-004	0	F03
9008A-KHE7-900	0	E04	90131-KFAF-900	2	F16	90304-GHE8-004	0	F16
90101-LEA7-E00	1	F14	90145-MKS9-61A	1	F04	90304-GHE8-004	0	F19

## PART NO. INDEX

PART NO.	VERSION	PAGE	PART NO.	VERSION	PAGE	PART NO.	VERSION	PAGE
90304-LBD4-900	2	F19	90652-LFB5-900	2	F05	91211-KHE7-900	0	E05
90305-KFW6-91A	1	F08	90656-KCBC-900	0	F03	91255-KHE7-900	0	E01
90305-LBA2-E00	1	F06	90656-KCBC-900	0	F18	91255-KHE7-900	0	E07
90305-LBD4-900	1	F19	90656-KUDU-900	0	F03	91255-LGE5-E00	1	F16
90312-LLJ3-E00	1	F03	90656-KUDU-900	0	F18	91255-LLB1-900	1	F16
90312-LLJ3-E01	0	F06	90660-KNBN-921	0	F13	91301-KHE7-900	0	E02
90401-KKJ9-001	0	E05	90660-PWA2-900	1	F03	91301-LDF2-M90	2	E02
90401-KKJ9-001	0	E06	90662-LHG7-E00	1	F20	91302-0A01-021	0	E04
90423-KKJ9-001	0	E04	90677-GAR1-004	1	F11	91302-KHE7-900	0	E04
90441-KKC4-800	0	E05	90677-GAR1-004	1	F17	91302-LDB2-E00	1	E02
90465-MDC4-001	0	E02	90754-LLJ3-E00	1	F07	91302-LDF2-M90	2	E02
90474-3C33-001	1	E01	90914-LHG7-E00	2	E02	91303-3G77-001	0	E04
90478-7L00-001	0	E02				91304-LGE5-E00	1	F19
90503-LEA7-E00	2	F06	<b>91000</b>			91306-1E05-691	0	E03
9052A-GFY6-950	3	E01				91307-0E35-001	0	E04
90544-KEC8-900	0	F21	91001-KHE7-900	0	E03	91309-4E25-004	0	E06
90545-3L00-001	2	F04	91001-KHE7-90A	0	E03	91351-KHE7-900	0	E05
90605-1F66-721	0	E05	91001-KKJ9-006	0	E04	91407-SGA7-004	0	F13
90651-LGE5-E00	1	F10	91002-GGA7-70A	0	E05	91507-LKE6-900	1	F06
90651-LGM9-900	1	F05	91003-KHE7-900	0	E01			
90651-LHG7-E00	1	F18	91004-KHE7-900	1	E05	<b>92000</b>		
90651-LKE6-900	1	F17	91009-KHE7-900	0	E07			
90651-LKE6-900	1	F18	91201-KKJ9-004	0	E04	92000-05012-0H	0	E01
90652-GFY6-901	1	E02	91202-KKC4-900	0	E01	92101-05008-0A	0	E01
90652-KHE7-900	0	F13	91202-KKC4-90B	1	E01	92101-05032-0H	0	E06
90652-LCA4-E00	1	F05	91202-LHG7-E00	1	E01	92900-06050-0B	0	E02

## PART NO. INDEX

PART NO.	VERSION	PAGE	PART NO.	VERSION	PAGE	PART NO.	VERSION	PAGE	
<b>93000</b>			93903-34260	0	F03	94050-06080	0	F18	
			93903-34360	0	F17	94050-08080	0	E02	
			93903-35260	0	F01	94101-05800	0	E04	
	93401-06022-07	0	F14	93903-35260	0	F03	94101-08600	0	F15
	93404-06016-06	0	F03	93903-35260	0	F05	94101-LBA2-E00	1	F19
	93404-06016-06	0	F05	93903-35260	0	F12	94101-LEA2-900	0	F14
	93404-06016-06	0	F15	93903-35260	0	F17	94102-LBA2-E00	1	F19
	93404-06016-06	0	F19	93903-45260	0	F03	94111-05800	0	E06
	93404-06016-06	0	F20	93903-45260	0	F17	94251-08400	0	F15
	93404-06020-06	1	F20	93903-45260	0	F19	94301-08140	0	E04
	93404-06025-06	0	F05	93903-45360	0	F05	94301-10160	0	E01
	93404-06025-06	0	F20	93903-45360	0	F12	94301-10160	0	E02
	93500-03010-1A	0	E06	93903-GFY6-900	1	F05	94301-10160	0	E03
	93500-05016-0H	0	E02	93903-KEB7-900-06	1	F03	94301-10160	0	E04
	93500-05016-0H	0	E06				94301-10160	0	E07
	93500-05016-1B	0	F03	<b>94000</b>			94303-04065	0	E06
	93500-05025-1B	0	F03				94401-25140	4	E03
	93500-05032-1B	0	F03	94050-05080	0	F17	94510-10000	0	E06
	93500-05045-1B	0	F03	94050-05080	0	F18	94510-25000	0	E07
	93500-KHC4-90A	0	F18	94050-06060	0	F04	94520-26000	0	E04
93600-04012-1G	0	F04	94050-06060	0	F10	94520-28000	0	E05	
93891-05016-00	0	F13	94050-06060	0	F18	94520-47000	0	F16	
93892-04008-18	0	E08	94050-06060	0	F19	94601-17000	0	E03	
93893-04012-18	0	F04	94050-06060	0	F20	94601-33000	0	E05	
93903-25360	0	F02	94050-06080	0	E02	94605-LHG7-E00	0	F21	
93903-25460	0	F13	94050-06080	0	F09	94608-LHG7-E00	0	F21	



## PART NO. INDEX

PART NO.	VERSION	PAGE	PART NO.	VERSION	PAGE	PART NO.	VERSION	PAGE	
<b>95000</b>			95701-LEA5-E00	1	F18	96001-06125-08	0	E04	
			95801-08040-06	0	F06	96100-60000-00	0	E04	
			95801-10030-06	0	F15	96100-63020-00	0	E01	
	95002-02070	0	E02	95801-10035-06	0	F16	96100-63020-00	0	E07
	95002-02080	0	F05	95801-10040-06	0	F16	96100-63040-00	1	E01
	95002-02100	0	F20	95801-10060-06	0	F14	96150-60020-10	0	F07
	95002-02130	0	F10				96150-62040-10	0	F16
	95002-41100-04	0	F13	<b>96000</b>			96220-20118	0	E03
	95002-50000	0	E07				96600-08015-10	1	E06
	95002-70000	0	F20	96001-06010-00	0	E02	96600-08025-06	0	F06
	95003-23036-60	0	F13	96001-06012-08	0	E06			
	95014-72204	0	F15	96001-06012-08	0	F16	<b>98000</b>		
	95701-06012-06	1	F19	96001-06012-08	0	F18			
	95701-06012-08	0	E02	96001-06016-08	0	E01	98069-5691R-00	0	E02
	95701-06016-06	1	F19	96001-06018-02	0	E04	98200-31000	1	F11
	95701-06025-06	2	F14	96001-06018-08	0	E02	98200-31000	1	F18
	95701-06025-08	0	E02	96001-06020-08	0	F13	98200-31500	0	F11
	95701-06028-08	0	E02	96001-06022-06	1	F04	98200-31500	0	F18
	95701-06030-06	0	F06	96001-06022-08	0	E04	98200-33000	0	F11
	95701-06050-06	0	F19	96001-06028-08	0	E04	98200-33000	0	F18
95701-08012-06	0	F18	96001-06028-08	0	E06				
95701-08012-08	0	E01	96001-06032-06	0	F19	<b>K</b>			
95701-08016-06	0	F12	96001-06032-08	0	E01				
95701-08030-08	0	E07	96001-06045-08	0	E04	K536-174-0200	0	E08	
95701-08035-08	0	E07	96001-06050-08	0	E01				
95701-LDF2-800	2	F10	96001-06110-08	0	E02				

## PART NO. INDEX

PART NO.	VERSION	PAGE	PART NO.	VERSION	PAGE	PART NO.	VERSION	PAGE
<b>N</b>								
N114-05103-3	0	E08						
<b>W</b>								
W1792-048-9901	0	E08						

