

PARTS CATALOGUE



SCOOTERS

SH50DC(GR)

GRAND DINK 250



Release Date : 1899/12/31
Print Date : 2013/10/05

ABOUT THIS PARTS LIST

- This parts list is compiled all service parts for model SH50DC(GR).
- Any difference between color chart and motorcycle will be revised according to motorcycle.
- The Mark:
 1. Marking "***" must add color code in the end before ordering parts.
 2. Marking "#" are parts with modification, Please find the details from e-Parts system.
- When modification or additions to this parts list are made a revised edition at an appropriate time.



CONTENTS

● ABOUT THIS PARTS LIST	1
● COLOR CHART OF SH50DC(GR)	3
● CONTENTS-ENGINE GROUP	12
● CONTENTS-FRAME GROUP	13
● ENGINE PARTS LIST	16
● FRAME PARTS LIST	50
● PART NO. INDEX	126

NO	MODEL			COLOR CHART OF SH50DC(GR)			
	PHOTO NO			NO. 1	NO. 2	NO. 3	NO. 4
	BASIC COLOR			Deep Blue Metallic		Bright Silver	
	CODE			Deep Blue Metallic		Bright Silver	
	PARTS NAME	PARTS NO.	VERSION	PB183MA	NH045MA	NH045MA	NH124MA
1	CUSHION ASSY R RR	52400-KKC4-900	3	F1S			
2	LEVER R STRG HNDL	53175-KFA5-E10	0	M3A			
3	LEVER L STRG HANDLE	53178-KFC8-E10	0				
4	COVER BATTERY	50326-KKC4-900	0				
5	GRIP COMP THROT	53140-KKC4-900	0				
6	GRIP L HANDLE	53166-KGB5-900	0				
7	COVER METER	53204-KKC4-900	2				
8	COVER R HANDLE LOW	53206-KKC4-900	1				
9	COVER L HANDLE LOW	53207-KKC4-900	0				
10	GRID R METER COVER	53214-KKC4-900	0				
11	GRID L METER COVER	53224-KKC4-900	0				
12	FLOOR PANEL	64310-KKC4-900	0	N1R			
13	COVER R PILLION STEP	64311-KKC4-900	3				
14	GRID R PILLION STEP	64312-KKC4-900	3				
15	MAT FLOOR	64320-KKC4-900	0				
16	COVER L PILLION STEP	64321-KKC4-900	3				
17	GRID L PILLION STEP	64322-KKC4-900	1				
18	FENDER RR TIRE	80100-KKC4-900	4				
19	COVER CENTER	80151-KKC4-900	0				
20	LEG SHIELD	81131-KKC4-900	0				
21	LID LEG SHIELD	81132-KEB7-900	1				
22	LID RESERVE TANK	81136-KKC4-900	0				
23	GRID R LEG SHIELD	81137-KKC4-900	0				
24	GRID L LEG SHIELD	81147-KKC4-900	0				
25	SIDE R GRIP	81400-KKC4-900	0				
DATE OF STARTING-SALES							
DATE OF END-SALES							

NO	MODEL			COLOR CHART OF SH50DC(GR)			
	PHOTO NO			NO. 5	NO. 6	NO. 7	NO. 8
	BASIC COLOR			Dark Gray Metallic	Deep Silver Metallic	Ruby Red	
	CODE			Dark Gray Metallic	Deep Silver Metallic	Ruby Red	
	PARTS NAME	PARTS NO.	VERSION	NH124MA	NH232MA	RR004CA	RR004CA
1	CUSHION ASSY R RR	52400-KKC4-900	3	F1S			
2	LEVER R STRG HNDL	53175-KFA5-E10	0	M3A			
3	LEVER L STRG HANDLE	53178-KFC8-E10	0				
4	COVER BATTERY	50326-KKC4-900	0				
5	GRIP COMP THROT	53140-KKC4-900	0				
6	GRIP L HANDLE	53166-KGB5-900	0				
7	COVER METER	53204-KKC4-900	2				
8	COVER R HANDLE LOW	53206-KKC4-900	1				
9	COVER L HANDLE LOW	53207-KKC4-900	0				
10	GRID R METER COVER	53214-KKC4-900	0				
11	GRID L METER COVER	53224-KKC4-900	0				
12	FLOOR PANEL	64310-KKC4-900	0				
13	COVER R PILLION STEP	64311-KKC4-900	3				
14	GRID R PILLION STEP	64312-KKC4-900	3				
15	MAT FLOOR	64320-KKC4-900	0				
16	COVER L PILLION STEP	64321-KKC4-900	3				
17	GRID L PILLION STEP	64322-KKC4-900	1				
18	FENDER RR TIRE	80100-KKC4-900	4				
19	COVER CENTER	80151-KKC4-900	0				
20	LEG SHIELD	81131-KKC4-900	0				
21	LID LEG SHIELD	81132-KEB7-900	1				
22	LID RESERVE TANK	81136-KKC4-900	0				
23	GRID R LEG SHIELD	81137-KKC4-900	0				
24	GRID L LEG SHIELD	81147-KKC4-900	0				
25	SIDE R GRIP	81400-KKC4-900	0				
DATE OF STARTING-SALES							
DATE OF END-SALES							

NO	MODEL			COLOR CHART OF SH50DC(GR)			
	PHOTO NO			NO. 9			
	BASIC COLOR			Yellow Green			
	CODE			Yellow Green			
	PARTS NAME	PARTS NO.	VERSION	YG025MA			
1	CUSHION ASSY R RR	52400-KKC4-900	3	F1S			
2	LEVER R STRG HNDL	53175-KFA5-E10	0	M3A			
3	LEVER L STRG HANDLE	53178-KFC8-E10	0				
4	COVER BATTERY	50326-KKC4-900	0				
5	GRIP COMP THROT	53140-KKC4-900	0				
6	GRIP L HANDLE	53166-KGB5-900	0				
7	COVER METER	53204-KKC4-900	2				
8	COVER R HANDLE LOW	53206-KKC4-900	1				
9	COVER L HANDLE LOW	53207-KKC4-900	0				
10	GRID R METER COVER	53214-KKC4-900	0				
11	GRID L METER COVER	53224-KKC4-900	0				
12	FLOOR PANEL	64310-KKC4-900	0	N1R			
13	COVER R PILLION STEP	64311-KKC4-900	3				
14	GRID R PILLION STEP	64312-KKC4-900	3				
15	MAT FLOOR	64320-KKC4-900	0				
16	COVER L PILLION STEP	64321-KKC4-900	3				
17	GRID L PILLION STEP	64322-KKC4-900	1				
18	FENDER RR TIRE	80100-KKC4-900	4				
19	COVER CENTER	80151-KKC4-900	0				
20	LEG SHIELD	81131-KKC4-900	0				
21	LID LEG SHIELD	81132-KEB7-900	1				
22	LID RESERVE TANK	81136-KKC4-900	0				
23	GRID R LEG SHIELD	81137-KKC4-900	0				
24	GRID L LEG SHIELD	81147-KKC4-900	0				
25	SIDE R GRIP	81400-KKC4-900	0				
DATE OF STARTING-SALES							
DATE OF END-SALES							

NO	MODEL			COLOR CHART OF SH50DC(GR)			
	PHOTO NO			NO. 1	NO. 2	NO. 3	NO. 4
	BASIC COLOR			Deep Blue Metallic		Bright Silver	
	CODE			Deep Blue Metallic		Bright Silver	
	PARTS NAME	PARTS NO.	VERSION	PB183MA	NH045MA	NH045MA	NH124MA
26	SIDE L GRIP	81500-KKC4-900	0	N1R			
27	BAND HARNESS WIRE	90656-KUDU-900	0	N1S			
28	DISK RR BRAKE	43351-KHE7-E00	3	N8P			
29	COVER COMP L COVER	1134A-KHE7-900	3	N8P			
30	METER COVER FR	37203-KKC4-900	0	N8P			
31	METER COVER RR	37204-KKC4-900	0	N8P			
32	COVER HNDL UP	53205-KKC4-900	2	N8P			
33	GRILL HANDLE UP	53208-KKC4-900	0	N8P			
34	FENDER FR	61110-KHD8-900	2	N8P			
35	COVER SCREEN	64301-KKC4-900	0	N8P			
36	MOLDING FR	64302-KKC4-900	0	N8P			
37	SKIRT R SIDE	64305-KKC4-900	2	N8P			
38	SKIRT L SIDE	64306-KKC4-900	2	N8P			
39	COWL UNDER	64400-KKC4-900	0	BHP	N8P		NFP
40	COVER R BODY	83500-KKC4-900	0	N8P			
41	COVER L BODY	83600-KKC4-900	1	N8P			
42	COVER RR CENTER	83750-KKC4-900	2	N8P			
43	MIRROR ASSY R BACK	88110-KKC4-305	0	N8P			
44	MIRROR ASSY L BACK	88120-KKC4-305	0	N8P			
45	WHEEL RR CAST	42601-KHE7-E00	2	N8P			
46	CALIPER ASSY RR	43100-KKC4-900	1	N8P			
47	WHEEL SET FR	44650-KHD8-30A	3	N8P			
48	CALIPER ASSY FR	45200-KKC4-900	2	N8P			
49	FORK ASSY R FR	51400-KKC4-900	2	N8P			
50	BOTTOM CASE R	51420-KKC4-900	0	N8P			
DATE OF STARTING-SALES							
DATE OF END-SALES							

NO	MODEL			COLOR CHART OF SH50DC(GR)			
	PHOTO NO			NO. 5	NO. 6	NO. 7	NO. 8
	BASIC COLOR			Dark Gray Metallic	Deep Silver Metallic	Ruby Red	
	CODE			Dark Gray Metallic	Deep Silver Metallic	Ruby Red	
	PARTS NAME	PARTS NO.	VERSION	NH124MA	NH232MA	RR004CA	RR004CA
26	SIDE L GRIP	81500-KKC4-900	0	N1R			
27	BAND HARNESS WIRE	90656-KUDU-900	0				
28	DISK RR BRAKE	43351-KHE7-E00	3	N1S			
29	COVER COMP L COVER	1134A-KHE7-900	3				
30	METER COVER FR	37203-KKC4-900	0	N8P			
31	METER COVER RR	37204-KKC4-900	0				
32	COVER HNDL UP	53205-KKC4-900	2				
33	GRILL HANDLE UP	53208-KKC4-900	0				
34	FENDER FR	61110-KHD8-900	2				
35	COVER SCREEN	64301-KKC4-900	0				
36	MOLDING FR	64302-KKC4-900	0	NFP NZP R1P			
37	SKIRT R SIDE	64305-KKC4-900	2				
38	SKIRT L SIDE	64306-KKC4-900	2				
39	COWL UNDER	64400-KKC4-900	0				
40	COVER R BODY	83500-KKC4-900	0				
41	COVER L BODY	83600-KKC4-900	1				
42	COVER RR CENTER	83750-KKC4-900	2				
43	MIRROR ASSY R BACK	88110-KKC4-305	0				
44	MIRROR ASSY L BACK	88120-KKC4-305	0				
45	WHEEL RR CAST	42601-KHE7-E00	2				
46	CALIPER ASSY RR	43100-KKC4-900	1				
47	WHEEL SET FR	44650-KHD8-30A	3				
48	CALIPER ASSY FR	45200-KKC4-900	2				
49	FORK ASSY R FR	51400-KKC4-900	2				
50	BOTTOM CASE R	51420-KKC4-900	0				
DATE OF STARTING-SALES							
DATE OF END-SALES							

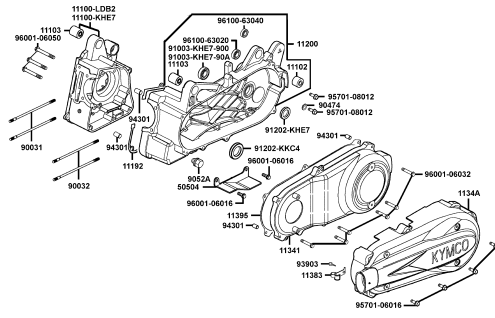
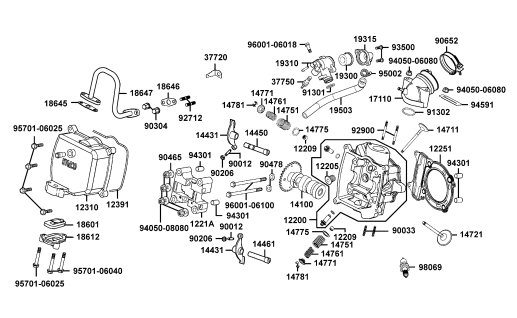
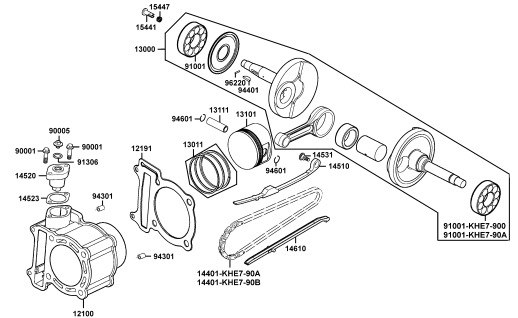
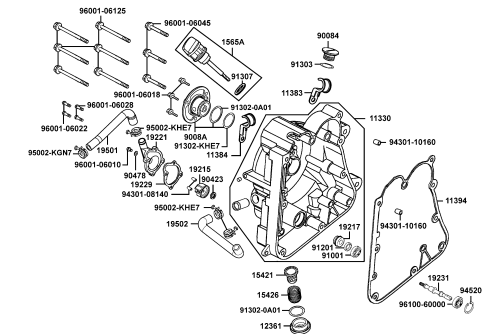
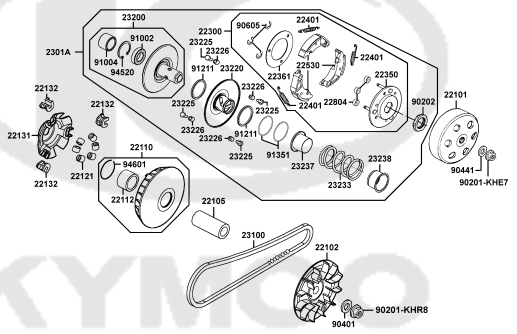
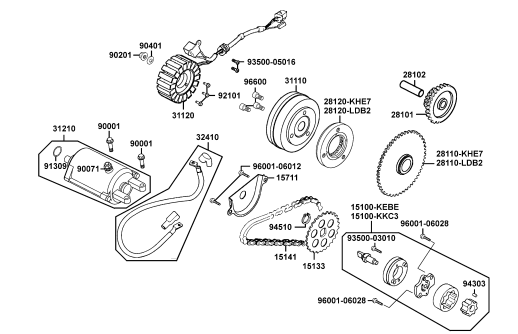
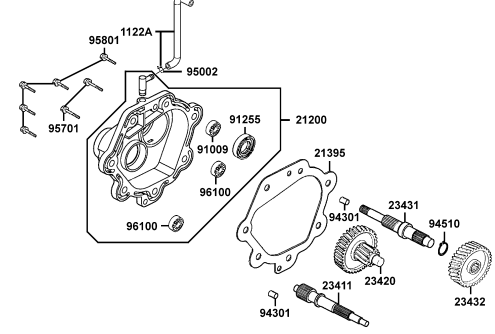
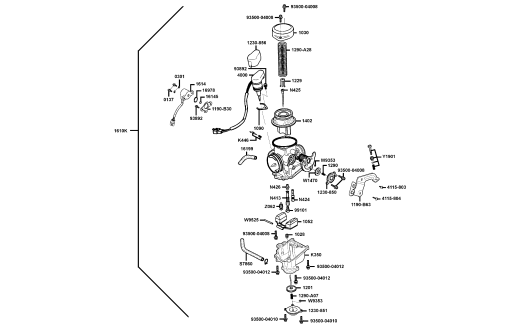
NO	MODEL			COLOR CHART OF SH50DC(GR)			
	PHOTO NO			NO. 9			
	BASIC COLOR			Yellow Green			
	CODE			Yellow Green			
	PARTS NAME	PARTS NO.	VERSION	YG025MA			
26	SIDE L GRIP	81500-KKC4-900	0	N1R			
27	BAND HARNESS WIRE	90656-KUDU-900	0				
28	DISK RR BRAKE	43351-KHE7-E00	3	N1S			
29	COVER COMP L COVER	1134A-KHE7-900	3	N8P			
30	METER COVER FR	37203-KKC4-900	0				
31	METER COVER RR	37204-KKC4-900	0				
32	COVER HNDL UP	53205-KKC4-900	2				
33	GRILL HANDLE UP	53208-KKC4-900	0				
34	FENDER FR	61110-KHD8-900	2				
35	COVER SCREEN	64301-KKC4-900	0				
36	MOLDING FR	64302-KKC4-900	0	W3P			
37	SKIRT R SIDE	64305-KKC4-900	2				
38	SKIRT L SIDE	64306-KKC4-900	2				
39	COWL UNDER	64400-KKC4-900	0				
40	COVER R BODY	83500-KKC4-900	0				
41	COVER L BODY	83600-KKC4-900	1				
42	COVER RR CENTER	83750-KKC4-900	2				
43	MIRROR ASSY R BACK	88110-KKC4-305	0				
44	MIRROR ASSY L BACK	88120-KKC4-305	0				
45	WHEEL RR CAST	42601-KHE7-E00	2		NJA		
46	CALIPER ASSY RR	43100-KKC4-900	1				
47	WHEEL SET FR	44650-KHD8-30A	3				
48	CALIPER ASSY FR	45200-KKC4-900	2				
49	FORK ASSY R FR	51400-KKC4-900	2				
50	BOTTOM CASE R	51420-KKC4-900	0				
DATE OF STARTING-SALES							
DATE OF END-SALES							

NO	MODEL			COLOR CHART OF SH50DC(GR)			
	PHOTO NO			NO. 1	NO. 2	NO. 3	NO. 4
	BASIC COLOR			Deep Blue Metallic		Bright Silver	
	CODE			Deep Blue Metallic		Bright Silver	
	PARTS NAME	PARTS NO.	VERSION	PB183MA	NH045MA	NH045MA	NH124MA
51	FORK SET L FR	5150A-KKC4-900	3	NJA			
52	BOTTOM CASE L	51520-KKC4-900	0				
53	REAR FORK ASSY	52000-KKC4-900	2				
54	CARRIER ASSY RR	8120A-KKC4-900	6				
55	SEAT ASSY	77200-KKC4-E01	1	T01			
56	SEAT ASSY BACK	77210-KKC4-900	0				
57	SEAT ASSY PAD	77220-KKC4-910	1				
58	EMB HANDLE COVER	86030-KKC4-900	2				
59	EMB K-LOGO 28.5MM	86102-KKC4-900	1				
60	EMB BODY COVER	86202-KKC4-900	1				
61	EMB B BODY COVER	86212-KKC4-900	0				
62	EMB B BODY COVER	87140-KHE7-E00	1				
63	STRIPE MARK EURO2	87311-KKD6-E00	1				
64	CAUTION USE GAS	87501-KRDR-E00	2				
65	LABEL TIRE	87505-KHE7-E00	1				
66	CAUTION FILTER	87512-KEBE-E00	0				
67	CAUTION SIDE STAND	87541-GAR1-E00	1				
68	CAUTION MOBILE	87541-KKC2-E00	1				
69	MARK MAINT CAUTION	87542-GAR1-E00	2				
70	MARK DRIVE CAUTION	87560-GFY6-E00	3				
71	LABEL CLEANNESS	87508-KKC4-E00	1	T02			
DATE OF STARTING-SALES							
DATE OF END-SALES							

NO	MODEL			COLOR CHART OF SH50DC(GR)			
	PHOTO NO			NO. 5	NO. 6	NO. 7	NO. 8
	BASIC COLOR			Dark Gray Metallic	Deep Silver Metallic	Ruby Red	
	CODE			Dark Gray Metallic	Deep Silver Metallic	Ruby Red	
	PARTS NAME	PARTS NO.	VERSION	NH124MA	NH232MA	RR004CA	RR004CA
51	FORK SET L FR	5150A-KKC4-900	3	NJA			
52	BOTTOM CASE L	51520-KKC4-900	0				
53	REAR FORK ASSY	52000-KKC4-900	2				
54	CARRIER ASSY RR	8120A-KKC4-900	6				
55	SEAT ASSY	77200-KKC4-E01	1	T01			
56	SEAT ASSY BACK	77210-KKC4-900	0				
57	SEAT ASSY PAD	77220-KKC4-910	1				
58	EMB HANDLE COVER	86030-KKC4-900	2				
59	EMB K-LOGO 28.5MM	86102-KKC4-900	1				
60	EMB BODY COVER	86202-KKC4-900	1				
61	EMB B BODY COVER	86212-KKC4-900	0				
62	EMB B BODY COVER	87140-KHE7-E00	1				
63	STRIPE MARK EURO2	87311-KKD6-E00	1				
64	CAUTION USE GAS	87501-KRDR-E00	2				
65	LABEL TIRE	87505-KHE7-E00	1				
66	CAUTION FILTER	87512-KEBE-E00	0				
67	CAUTION SIDE STAND	87541-GAR1-E00	1				
68	CAUTION MOBILE	87541-KKC2-E00	1				
69	MARK MAINT CAUTION	87542-GAR1-E00	2				
70	MARK DRIVE CAUTION	87560-GFY6-E00	3				
71	LABEL CLEANNESS	87508-KKC4-E00	1	T02			
DATE OF STARTING-SALES							
DATE OF END-SALES							

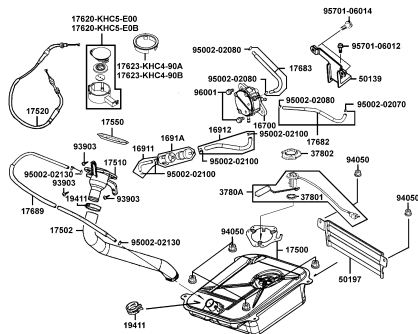
NO	MODEL			COLOR CHART OF SH50DC(GR)			
	PHOTO NO			NO. 9			
	BASIC COLOR			Yellow Green			
	CODE			Yellow Green			
	PARTS NAME	PARTS NO.	VERSION	YG025MA			
51	FORK SET L FR	5150A-KKC4-900	3	NJA			
52	BOTTOM CASE L	51520-KKC4-900	0				
53	REAR FORK ASSY	52000-KKC4-900	2				
54	CARRIER ASSY RR	8120A-KKC4-900	6				
55	SEAT ASSY	77200-KKC4-E01	1	T01			
56	SEAT ASSY BACK	77210-KKC4-900	0				
57	SEAT ASSY PAD	77220-KKC4-910	1				
58	EMB HANDLE COVER	86030-KKC4-900	2				
59	EMB K-LOGO 28.5MM	86102-KKC4-900	1				
60	EMB BODY COVER	86202-KKC4-900	1				
61	EMB B BODY COVER	86212-KKC4-900	0				
62	EMB B BODY COVER	87140-KHE7-E00	1				
63	STRIPE MARK EURO2	87311-KKD6-E00	1				
64	CAUTION USE GAS	87501-KRDR-E00	2				
65	LABEL TIRE	87505-KHE7-E00	1				
66	CAUTION FILTER	87512-KEBE-E00	0				
67	CAUTION SIDE STAND	87541-GAR1-E00	1				
68	CAUTION MOBILE	87541-KKC2-E00	1				
69	MARK MAINT CAUTION	87542-GAR1-E00	2				
70	MARK DRIVE CAUTION	87560-GFY6-E00	3				
71	LABEL CLEANNESS	87508-KKC4-E00	1	T02			
DATE OF STARTING-SALES							
DATE OF END-SALES							

CONTENTS - ENGINE GROUP

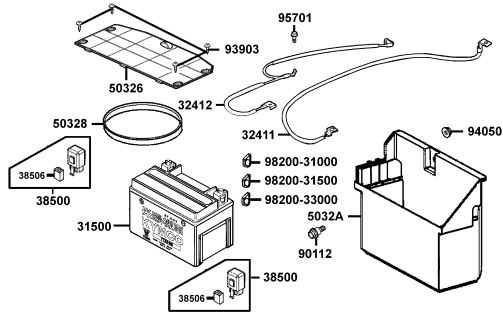
<p>E01 Crank Case</p> 	<p>E02 Cylinder Head Cover Cylinder</p> 	<p>E03 Cylinder Piston Crankshaft</p> 
<p>E04 Right Crankcase CoverWater</p> 	<p>E05 Transmission Pulley</p> 	<p>E06 Starting MotorGenerator</p> 
<p>E07 Transmission</p> 	<p>E08 Carburetor</p> 	

CONTENTS - FRAME GROUP

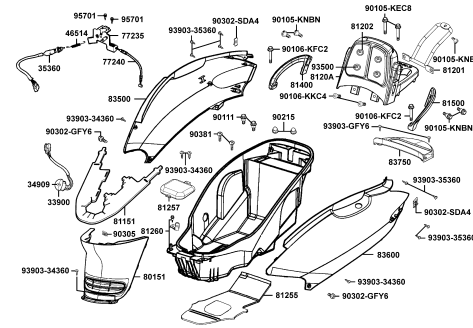
F10 Fuel Tank



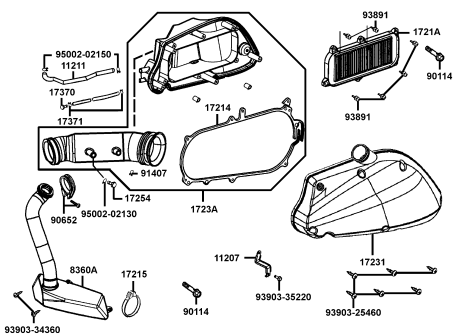
F11 Battery



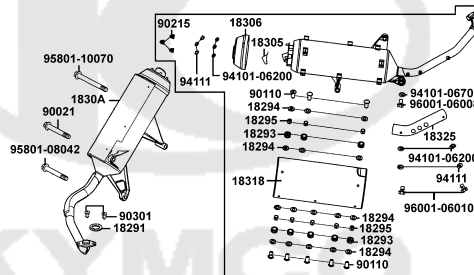
F12 Body Cover/Luggage Box



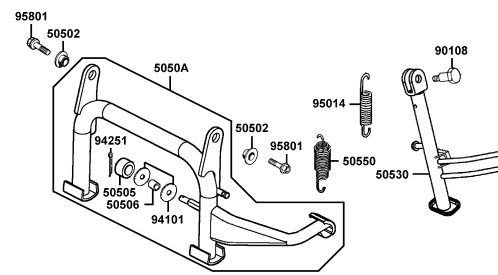
F13 Air Cleaner



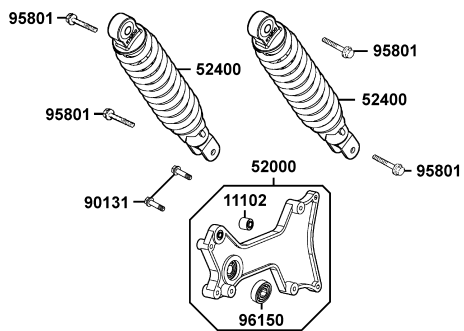
F14 Exhaust Muffler



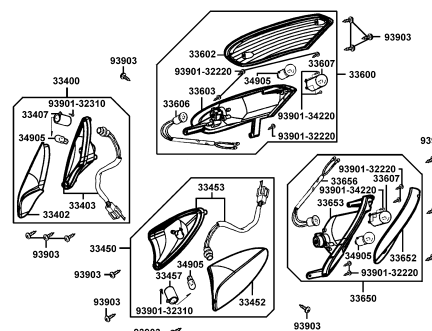
F15 Stand/Kick Starter Arm



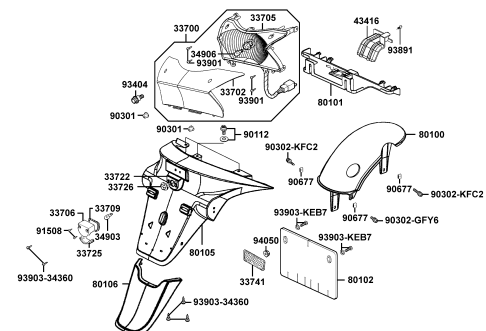
F16 Rear Cushion



F17 Front Winker / RR WINKER

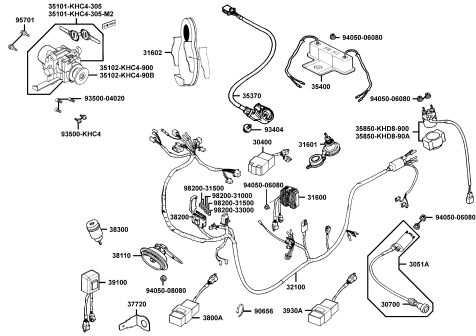


F18 Rear Light/Rear Fender

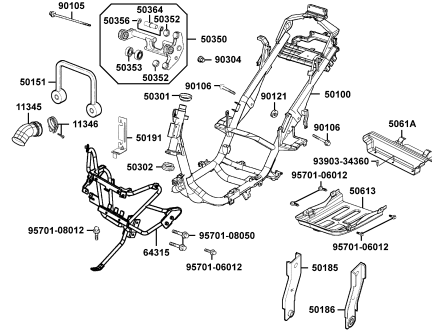


CONTENTS - FRAME GROUP

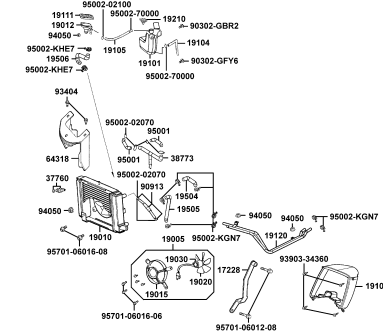
F19 Wire Harness



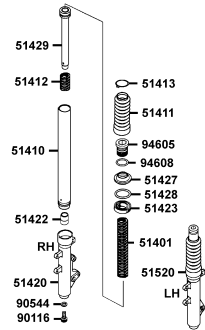
F20 Frame Body



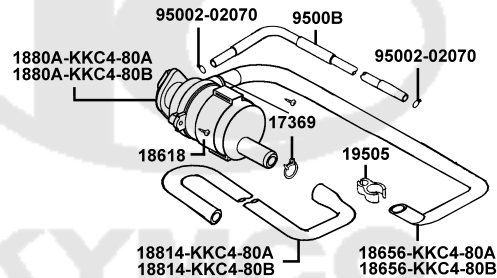
F21 Radiator



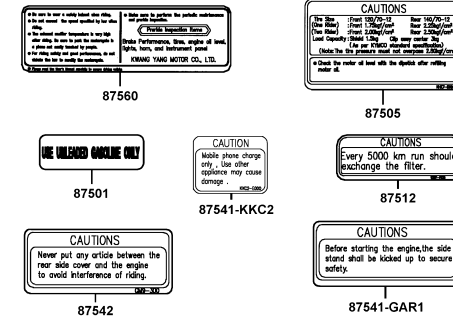
F22 Separated Parts Of Fr Fork



F23 Caution Label



F24 Caution Label

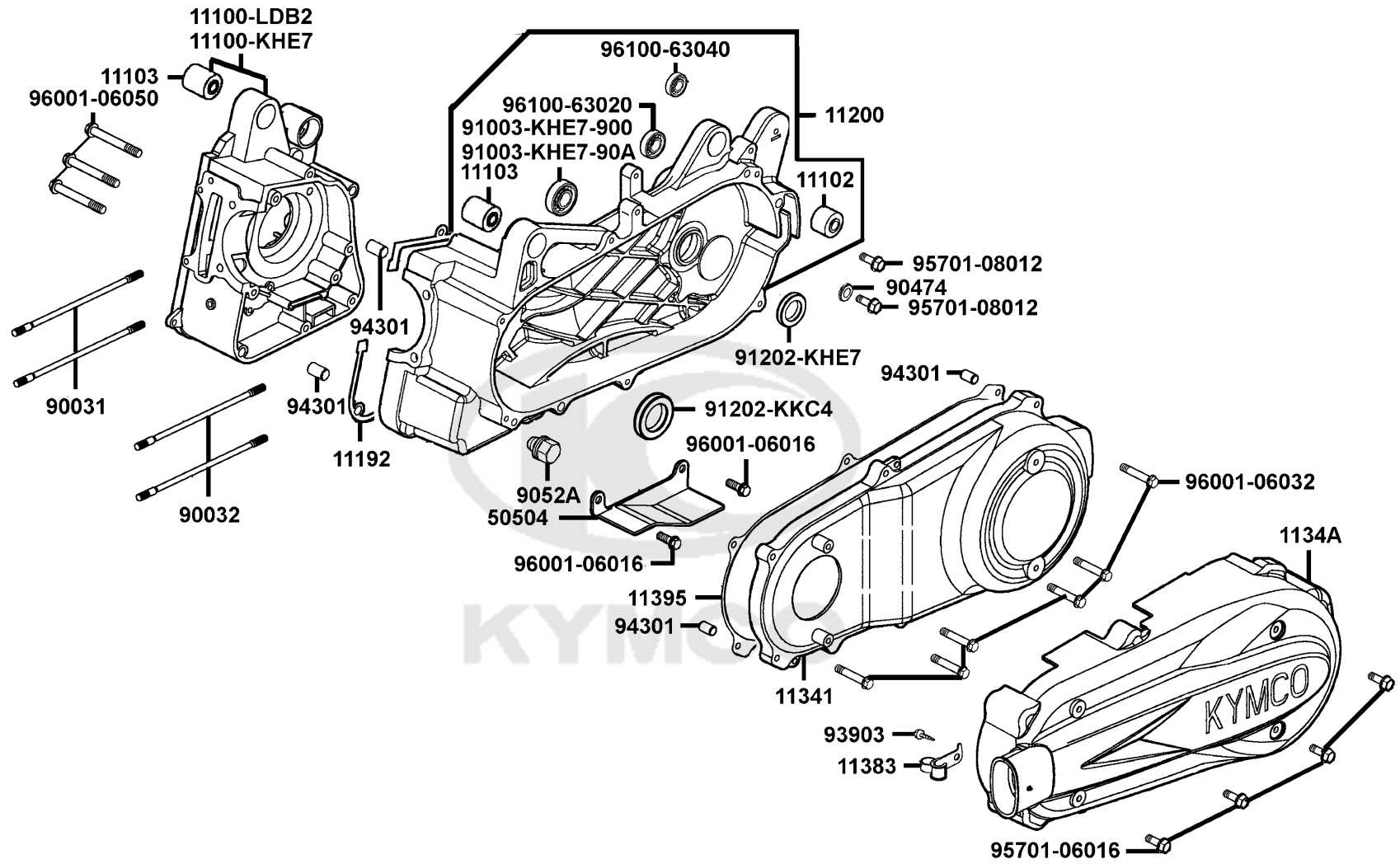


F25 Emblem/Stripe



E01

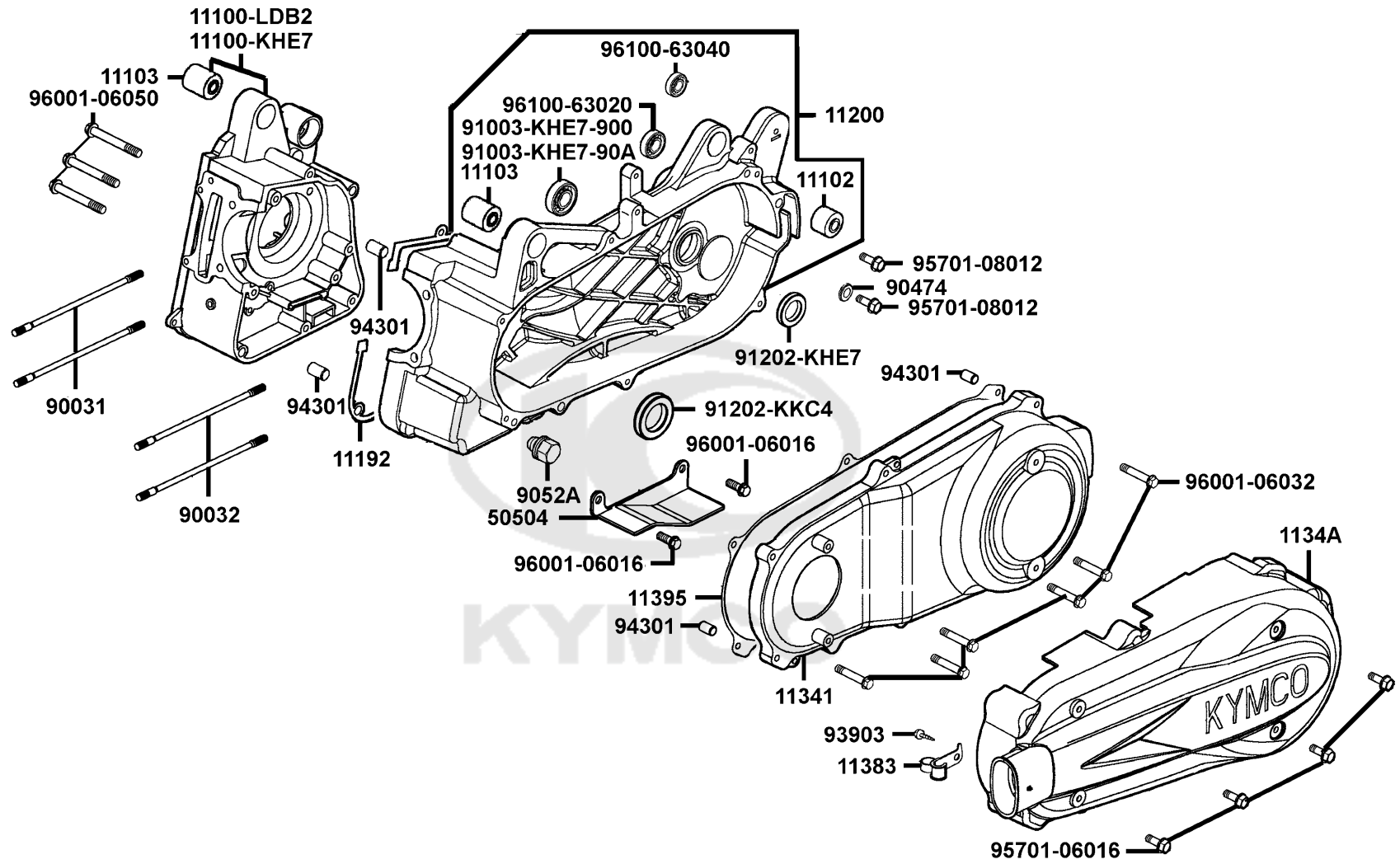
Crank Case



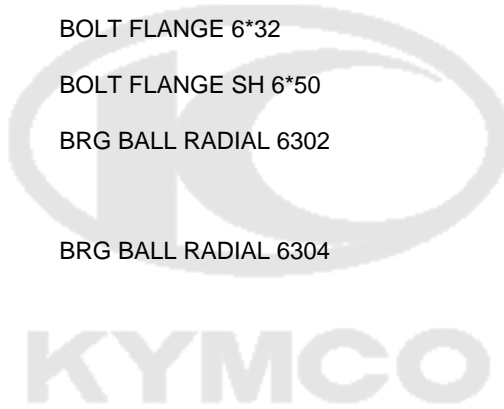
Sales mark	Ref no	Part no	Description	Reg description	Regd no	E01
	11100-KHE7	11100-KHE7-305	CASE SET R CRANK	CASE SET R CRANK	1	
	11100-LDB2	11100-LDB2-305	CASE SET R CRANK	CASE SET R CRANK	1	
	11102	11102-1G87-004	RUB BUSH ENG HANGER	RUB BUSH ENG HANGER	1	
	11103	11103-KHE7-900	RUB BUSH ENG HANGER	RUB BUSH ENG HANGER	2	
	11192	11192-KHE7-900	GASKET CRANK CASE A	GASKET CRANK CASE A	1	
	11192	11192-KHE7-980	GASKET CRANK CASE @A	GASKET CRANK CASE @A	1	
	11200	11200-KKC4-305	CRANK CASE SET L	CRANK CASE SET L	1	
	11341	11341-KHE7-900	COVER LEFT	COVER LEFT	1	
**	1134A	1134A-KHE7-900	COVER COMP L COVER	COVER COMP L COVER	1	
	11383	11383-KUDU-900	CLAMPER BREATHER DRAIN TUBE	CLAMPER BREATHER DRAIN TUBE	1	
	11395	11395-KHE7-900	GASKET L COVER @ A	GASKET L COVER @ A	1	
	50504	50504-KKC4-900	STAY COMP MAIN STAND STOPPER	STAY COMP MAIN STAND STOPPER	1	
	90031	90031-KEBE-900	BOLT A STUD 8MM	BOLT A STUD 8MM	2	
	90032	90032-KEBE-900	BOLT B STUD 8MM	BOLT B STUD 8MM	2	
	90474	90474-3C33-001	WASHER 8MM	WASHER 8MM	1	
	9052A	9052A-GFY6-950	BOLT ASSY DRAIN PLUG	BOLT ASSY DRAIN PLUG	1	
	91003-KHE7-900	91003-KHE7-900	BRG BALL RADIAL TMB2/22CCS15	BRG BALL RADIAL TMB2/22CCS15	1	
	91003-KHE7-90A	91003-KHE7-90A	BRG BALL RADIAL TMB2/22CCS16	BRG BALL RADIAL TMB2/22CCS16	1	
	91202-KHE7	91202-KHE7-900	OIL SEAL 22X34X6	OIL SEAL 22X34X6	1	
	91202-KKC4	91202-KKC4-900	OIL SEAL 27*42*7	OIL SEAL 27*42*7	1	

E01

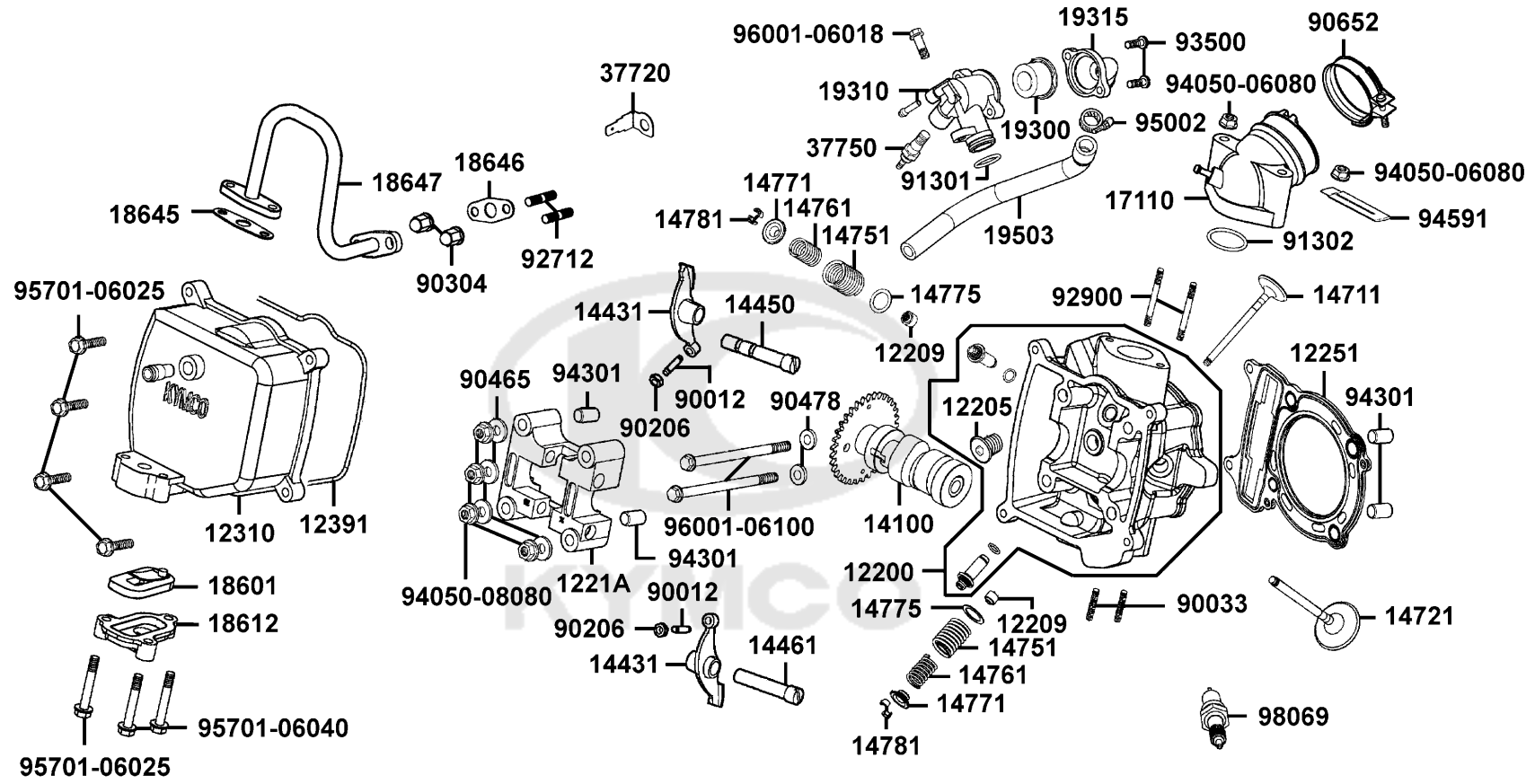
Crank Case



Sales mark	Ref no	Part no	Description	Reg description	Regd no	E01
	91202-KKC4	91202-KKC4-90B	OIL SEAL 27X42X7	OIL SEAL 27X42X7	1	
	91202-KHE7	91202-LHG7-E00	OIL SEAL 22X34X6	OIL SEAL 22X34X6	1	
	93903	93903-45360	SCREW TAPPING 5*16	SCREW TAPPING 5*16	1	
	94301	94301-10160	DOWEL PIN 10*16	DOWEL PIN 10*16	4	
	95701-06016	95701-06016-02	BOLT FLANGE 6*16	BOLT FLANGE 6*16	4	
	95701-08012	95701-08012-08	BOLT FLANGE 8X12	BOLT FLANGE 8X12	2	
	96001-06016	96001-06016-08	BOLT FLANGE SH 6*16	BOLT FLANGE SH 6*16	2	
	96001-06032	96001-06032-08	BOLT FLANGE 6*32	BOLT FLANGE 6*32	6	
	96001-06050	96001-06050-08	BOLT FLANGE SH 6*50	BOLT FLANGE SH 6*50	3	
	96100-63020	96100-63020-00	BRG BALL RADIAL 6302	BRG BALL RADIAL 6302	1	
	96100-63040	96100-63040-00	BRG BALL RADIAL 6304	BRG BALL RADIAL 6304	1	



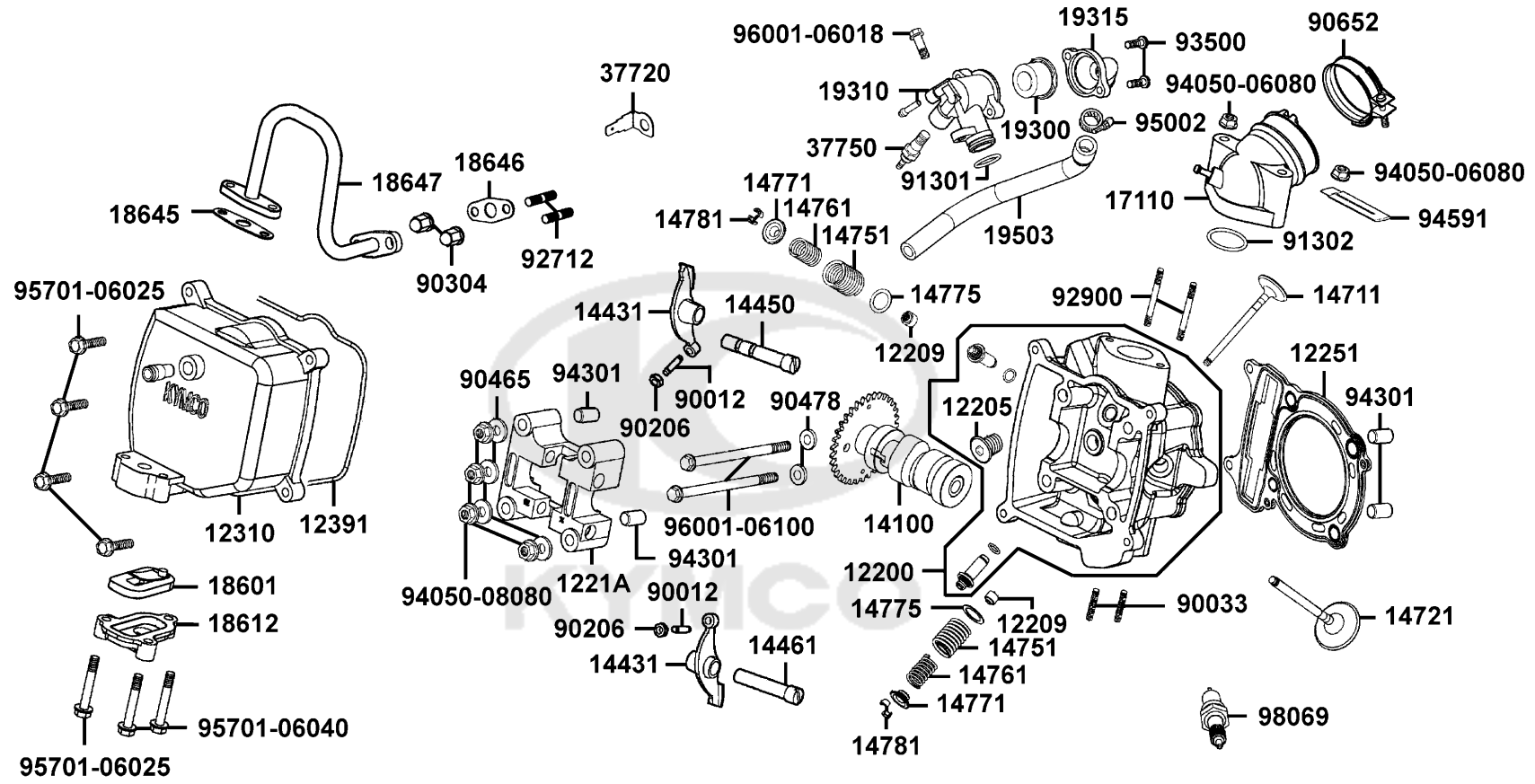
Cylinder Head Cover Cylinder Head



Sales mark	Ref no	Part no	Description	Reg description	Regd no	E02
12200		12200-KHE7-900	HEAD COMP CYLN	HEAD COMP CYLN	1	
12205		12205-KHE8-301	BOLT SEALING 12MM	BOLT SEALING 12MM	1	
12209		12209-GDB4-68A	SEAL VALVE STEM	SEAL VALVE STEM	2	
1221A		1221A-KHE7-900	HOLDER COMP CAM SHAFT	HOLDER COMP CAM SHAFT	1	
12251		12251-KHE7-901	GASKET CYLINDER HEAD	GASKET CYLINDER HEAD	1	
12310		12310-KHE7-900	COVER COMP CYLN HEAD	COVER COMP CYLN HEAD	1	
12391		12391-KHE7-900	GASKET HEAD COVER	GASKET HEAD COVER	1	
14100		14100-KHE7-220	SHAFT COMP CAM	SHAFT COMP CAM	1	
14431		14431-KHE7-900	ARM VALVE ROCKER	ARM VALVE ROCKER	2	
14450		14450-KEBE-900	SHAFT COMP IN ROCKER ARM	SHAFT COMP IN ROCKER ARM	1	
14461		14461-KHE7-900	SHAFT EX ROCKER	SHAFT EX ROCKER	1	
14711		14711-KHE7-900	VALVE INLET	VALVE INLET	1	
14721		14721-KHE7-900	VALVE EXHAUST	VALVE EXHAUST	1	
14751		14751-KHE7-900	SPG VALVE OUTER	SPG VALVE OUTER	2	
14761		14761-KHE7-900	SPG VALVE INNER	SPG VALVE INNER	2	
14771		14771-GDB4-680	RETAINER VALVE SPRING	RETAINER VALVE SPRING	2	
14775		14775-MFA6-001	SEAT VALVE SPG	SEAT VALVE SPG	2	
14781		14781-MFA6-001	COTTER VALVE	COTTER VALVE	4	
17110		17110-KHE7-900	PIPE COMP INLET	PIPE COMP INLET	1	
18601		18601-MAJ1-791	REED VALVE COMP	REED VALVE COMP	1	

E02

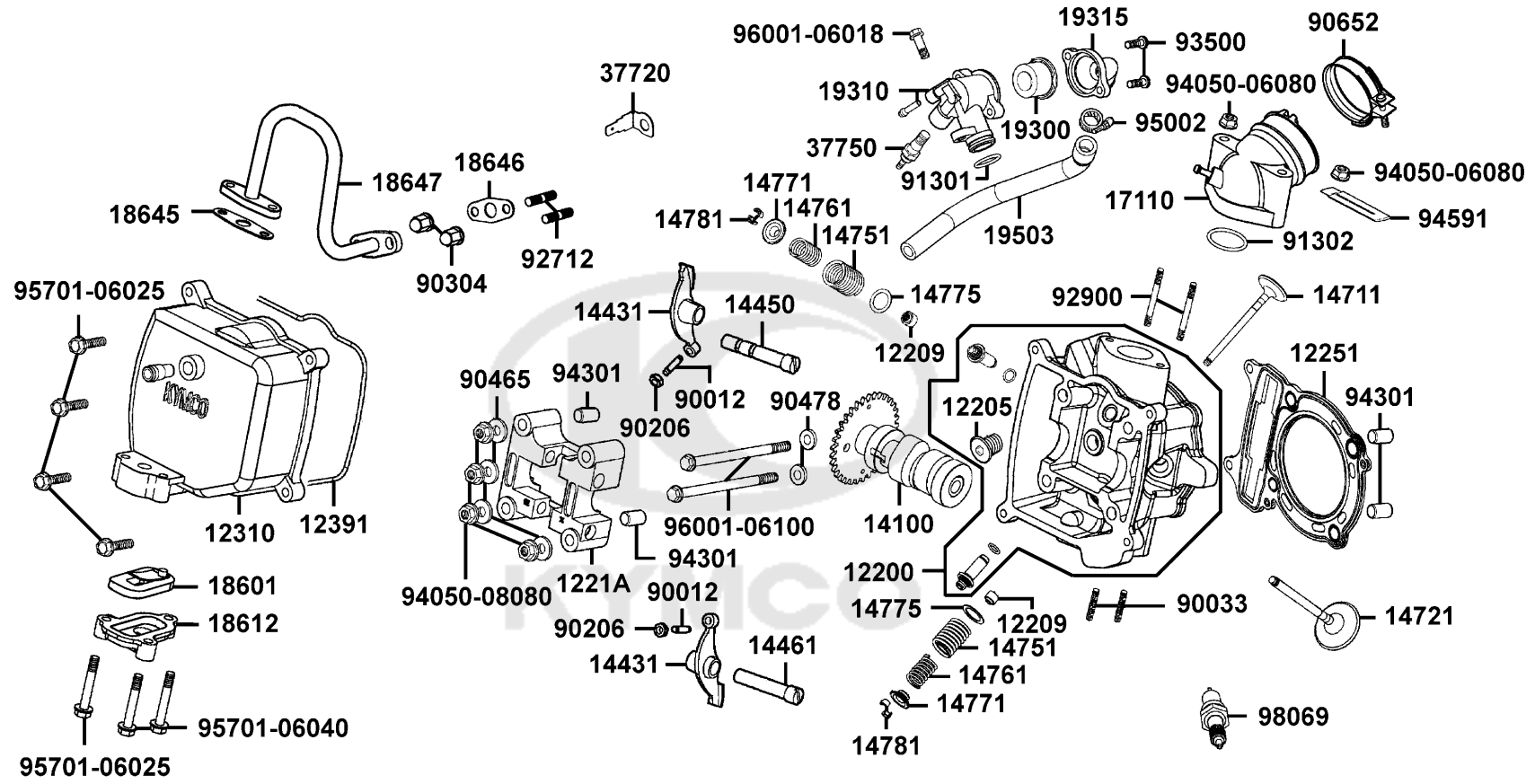
Cylinder Head Cover Cylinder Head



Sales mark	Ref no	Part no	Description	Reg description	Regd no	E02
18612		18612-GFY6-941	COVER REED VALVE	COVER REED VALVE	1	
18645		18645-GFY6-941	GSKT A/I PIPE	GSKT A/I PIPE	1	
18646		18646-GFY6-941	GSKT A/I PIPE	GSKT A/I PIPE	1	
18647		18647-KHE7-900	PIPE COMP AIR	PIPE COMP AIR	1	
19300		19300-KAE1-004	THERMO STAT ASSY	THERMO STAT ASSY	1	
19310		19310-KHE7-900	CASE COMP THERMOSTAT	CASE COMP THERMOSTAT	1	
19315		19315-KHE7-900	COVER THERMOSTAT	COVER THERMOSTAT	1	
19503		19503-KHE7-900	HOSE C WATER	HOSE C WATER	1	
37720		37720-KGB5-900	EARTH TERMINAL THERMO	EARTH TERMINAL THERMO	1	
37750		37750-PAC1-005	THERMO UNIT ASSY	THERMO UNIT ASSY	1	
90012		90012-3C33-001	SCREW TAPPET ADJUSTING	SCREW TAPPET ADJUSTING	2	
90033		90033-GFY6-900	BOLT STUD 8*32	BOLT STUD 8*32	2	
90206		90206-0A01-001	NUT TAPPET ADJG	NUT TAPPET ADJG	2	
90304		90304-4H38-001	NUT HEX CAP 6MM	NUT HEX CAP 6MM	2	
90465		90465-MDC4-001	WASHER 8MM	WASHER 8MM	4	
90478		90478-7L00-001	WASHER A 6MM	WASHER A 6MM	2	
90652		90652-GFY6-901	BAND 49 AIR/C CONNECTING TUBE	BAND 49 AIR/C CONNECTING TUBE	1	
91301		91301-KHE7-900	O-RING 17.8*1.9	O-RING 17.8*1.9	1	
91302		91302-2L00-001	O-RING 33.5*3	O-RING 33.5*3	1	
92712		92712-06028-0B	BOLT STUD 6X16	BOLT STUD 6X16	1	

E02

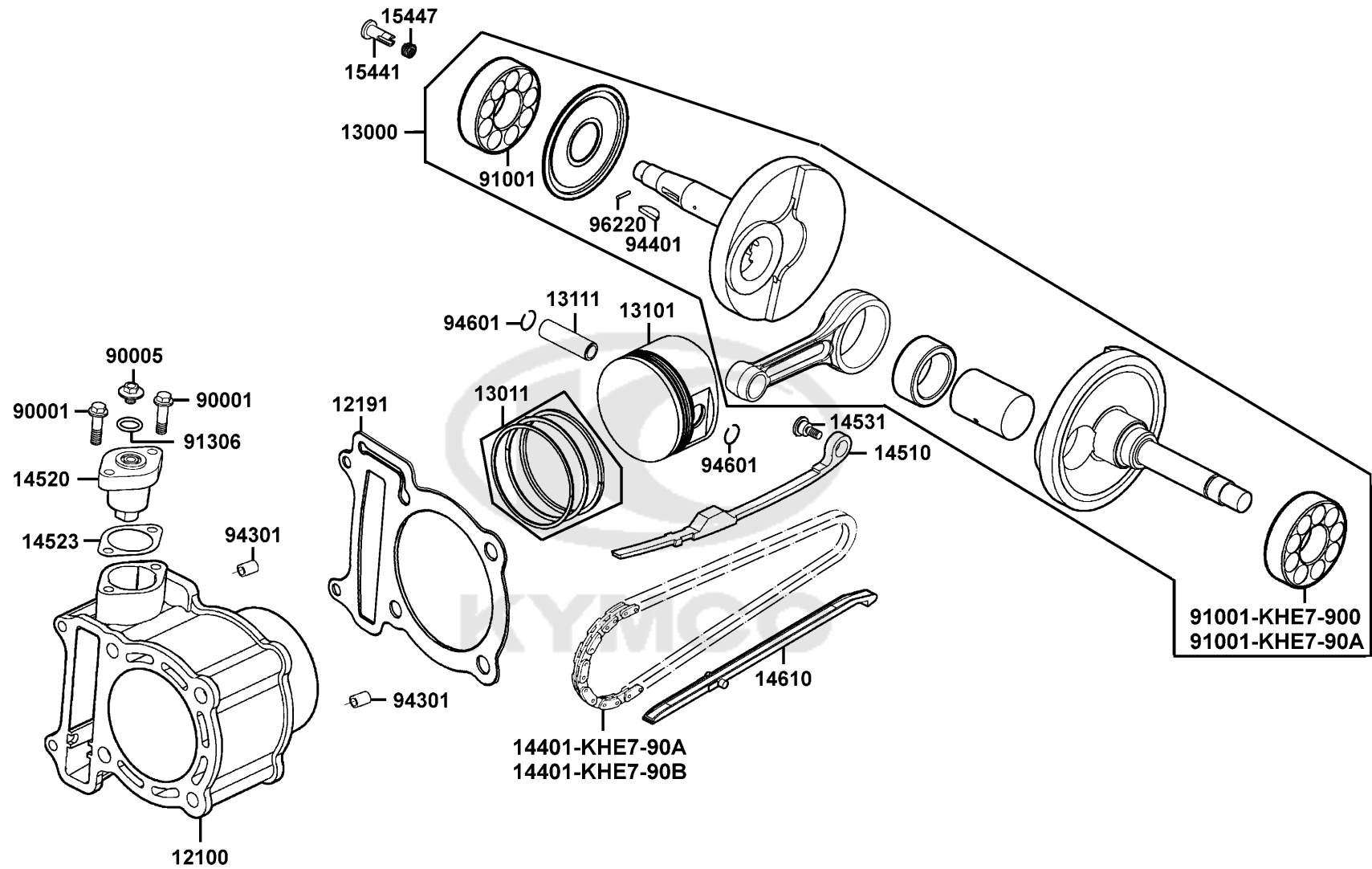
Cylinder Head Cover Cylinder Head



Sales mark	Ref no	Part no	Description	Reg description	Regd no	E02
92900		92900-06050-0B	BOLT STUD 6*50	BOLT STUD 6*50	2	
93500		93500-05016-0H	SCREW PAN 5*16	SCREW PAN 5*16	2	
94050-06080		94050-06080	NUT FLANGE 6MM	NUT FLANGE 6MM	2	
94050-08080		94050-08080	NUT FLANGE 8MM	NUT FLANGE 8MM	4	
94301		94301-10160	DOWEL PIN 10*16	DOWEL PIN 10*16	4	
94591		94591-KFBF-900	CLIP 2*70	CLIP 2*70	1	
95002		95002-KHE7-900	CLIP WATER HOSE	CLIP WATER HOSE	1	
95701-06025		95701-06025-08	BOLT FLANGE 6*25	BOLT FLANGE 6*25	4	
95701-06040		95701-06040-08	BOLT FLANGE 6*40	BOLT FLANGE 6*40	2	
96001-06018		96001-06018-08	BOLT FLANGE SH 6*18	BOLT FLANGE SH 6*18	1	
96001-06100		96001-06100-08	BOLT FLANGE SH 6*100	BOLT FLANGE SH 6*100	2	
98069		98069-5791R-00	PLUG SPARK DPR7EA-9	PLUG SPARK DPR7EA-9	1	

E03

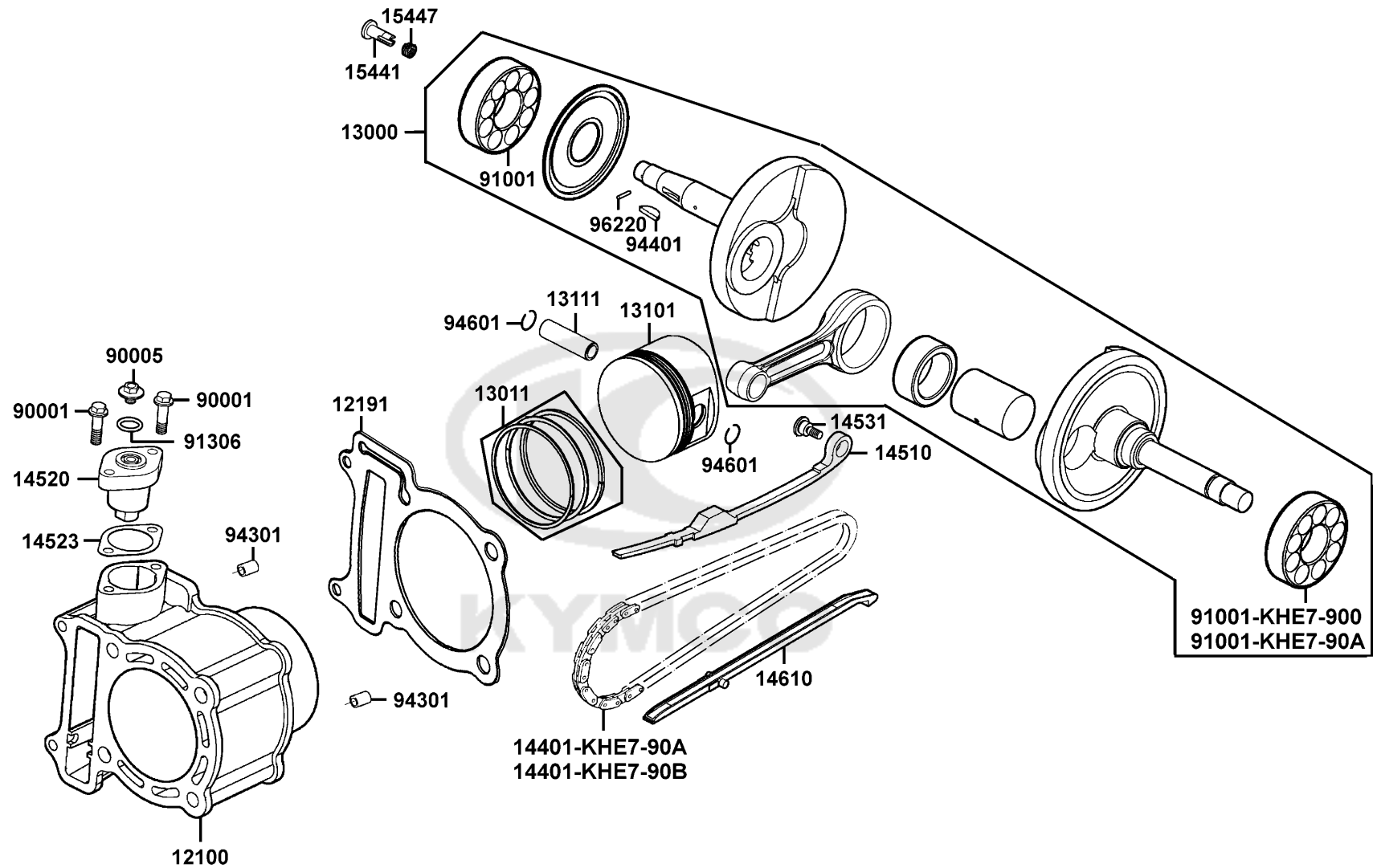
Cylinder Piston Crankshaft




Sales mark	Ref no	Part no	Description	Reg description	Regd no	E03
	12100	12100-KHE7-900	CYLINDER COMP	CYLINDER COMP	1	
	12191	12191-KHE7-910	GASKET CYLINDER	GASKET CYLINDER	1	
	13000	13000-KHE7-900	CRANK SHAFT COMP	CRANK SHAFT COMP	1	
	13000	13000-KHE7-910	CRANK SHAFT COMP	CRANK SHAFT COMP	1	
	13011	13011-KHE7-900	RING SET PISTON	RING SET PISTON	1	
	13101	13101-KHE7-900	PISTON	PISTON	1	
	13111	13111-KHE7-900	PIN PISTON	PIN PISTON	1	
	14401-KHE7-90A	14401-KHE7-90A	CHAIN CAM	CHAIN CAM	1	
	14401-KHE7-90B	14401-KHE7-90B	CHAIN CAM	CHAIN CAM	1	
	14510	14510-KHE7-900	TENSIONER CAM CHAIN	TENSIONER CAM CHAIN	1	
	14520	14520-GFY6-90A	LIFTER ASSY TENSIONER	LIFTER ASSY TENSIONER	1	
	14523	14523-GFY6-901	GASKET TENSIONER LIFTER @A	GASKET TENSIONER LIFTER @A	1	
	14531	14531-KHE7-900	PIVOT CAM CHAIN TENSIONER	PIVOT CAM CHAIN TENSIONER	1	
	14610	14610-KHE7-900	GUIDE COMP CAM CHAIN	GUIDE COMP CAM CHAIN	1	
	15441	15441-1K49-001	OIL THROUGH	OIL THROUGH	1	
	15447	15447-1K49-001	SPG OIL THROUGH	SPG OIL THROUGH	1	
	90001	90001-GBHB-661	BOLT FLANGE SH 6*22	BOLT FLANGE SH 6*22	2	
	90005	90005-KEC8-900	BOLT SPECIAL 6*6	BOLT SPECIAL 6*6	1	
	91001-KHE7-900	91001-KHE7-900	BRG BALL RADIAL TMB307JR2CS19	BRG BALL RADIAL TMB307JR2CS19	2	
	91001-KHE7-90A	91001-KHE7-90A	BRG BALL RADIAL TMB307JR2CS19	BRG BALL RADIAL TMB307JR2CS19	2	

E03

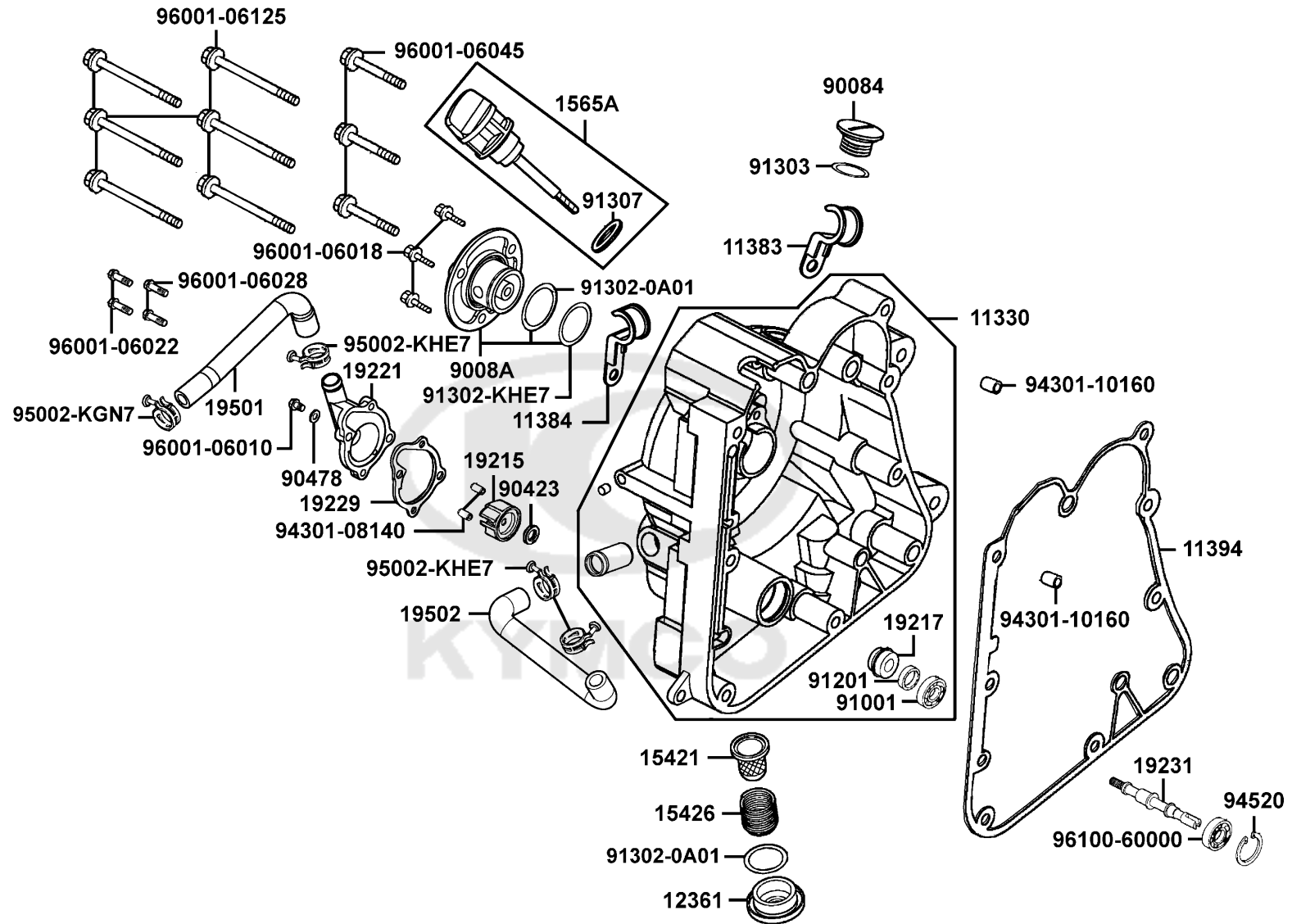
Cylinder Piston Crankshaft



Sales mark	Ref no	Part no	Description	Reg description	Regd no	E03
91306		91306-1E05-691	O-RING 1.5*9.5	O-RING 1.5*9.5	1	
94301		94301-10160	DOWEL PIN 10*16	DOWEL PIN 10*16	2	
94401		94401-25140	WOODRUFF KET 25*14	WOODRUFF KET 25*14	1	
94601		94601-17000	CLIP PISTON PIN 17MM	CLIP PISTON PIN 17MM	2	
96220		96220-20118	ROLLER 2*11.8	ROLLER 2*11.8	1	
						

E04

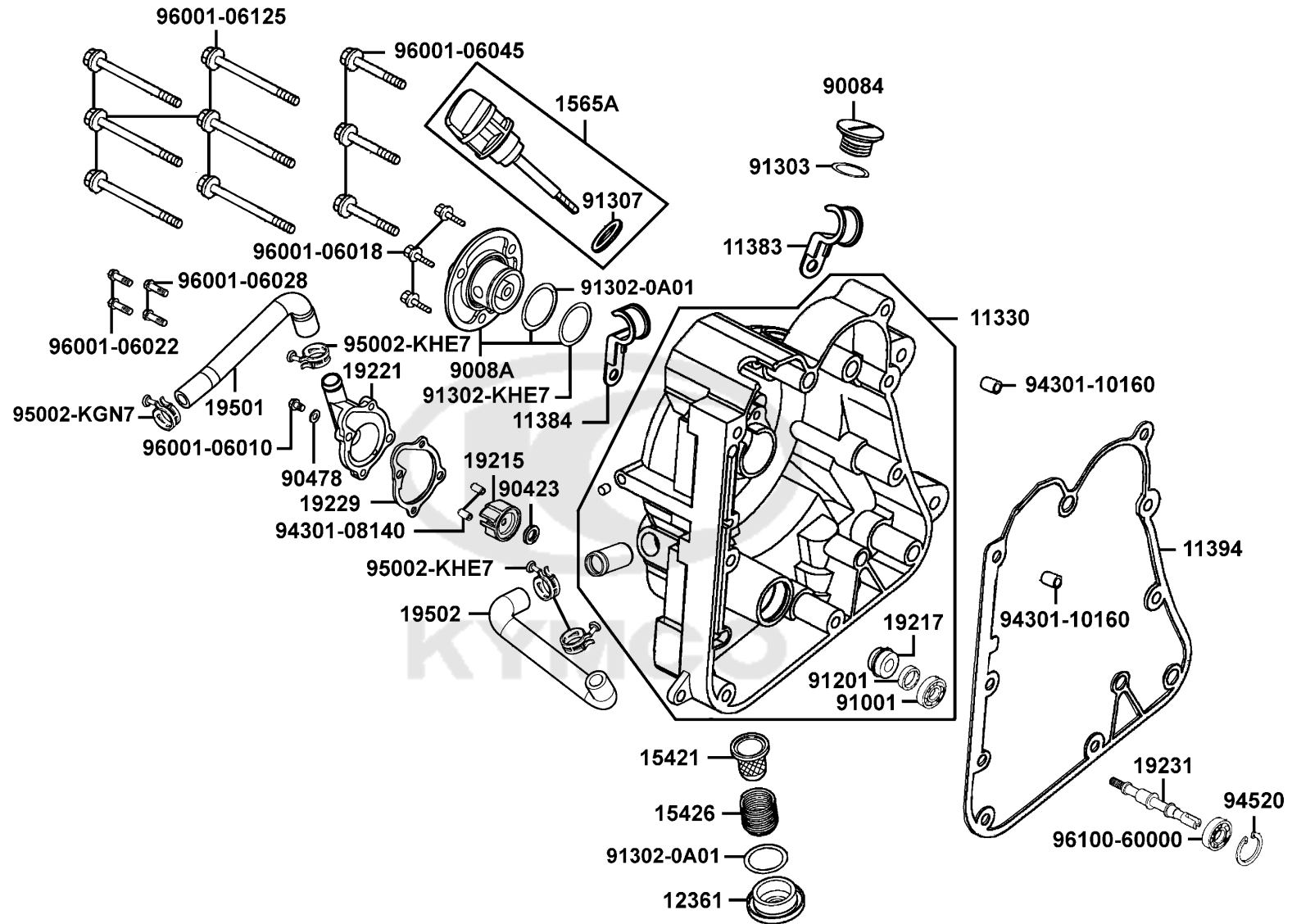
Right Crankcase Cover Water Pump



Sales mark	Ref no	Part no	Description	Reg description	Regd no	E04
11330		11330-KHE7-900	COVER COMP RIGHT	COVER COMP RIGHT	1	
11383		11383-KHE7-900	CLAMPER RR BRK HOSE	CLAMPER RR BRK HOSE	1	
11384		11384-KHE7-900	CLAMPER A RR BRK HOSE	CLAMPER A RR BRK HOSE	1	
11394		11394-KHE7-900	GASKET R COVER @ A	GASKET R COVER @ A	1	
11394		11394-KHE7-980	GASKET, R COVER @A	GASKET, R COVER @A	1	
12361		12361-GFY6-901	HOLE CAP TAPPET ADJUSTING	HOLE CAP TAPPET ADJUSTING	1	
15421		15421-1G07-001	SCREEN OIL FILTER	SCREEN OIL FILTER	1	
15426		15426-GAE1-921	SPG OIL FILTER SCREEN	SPG OIL FILTER SCREEN	1	
1565A		1565A-KEBE-900	GAUGE OIL LEVEL ASSY	GAUGE OIL LEVEL ASSY	1	
19215		19215-KHE7-900	IMPELLER WATER PUMP	IMPELLER WATER PUMP	1	
19217		19217-6G57-024	SEAL MECHANICAL	SEAL MECHANICAL	1	
19221		19221-KHE7-900	COVER WATER PUMP	COVER WATER PUMP	1	
19229		19229-KHE7-900	GASKET WATER PUMP	GASKET WATER PUMP	1	
19231		19231-KKJ9-011	SHAFT WATER PUMP	SHAFT WATER PUMP	1	
19501		19501-KHE7-900	HOSE A WATER	HOSE A WATER	1	
19502		19502-KHE7-900	HOSE B WATER	HOSE B WATER	1	
90084		90084-4H28-001	CAP ACG	CAP ACG	1	
9008A		9008A-KHE7-900	CAP ASSY R COVER	CAP ASSY R COVER	1	
90423		90423-KKJ9-001	WASHER 7.2*13*1.2	WASHER 7.2*13*1.2	1	
90478		90478-7L00-001	WASHER A 6MM	WASHER A 6MM	1	

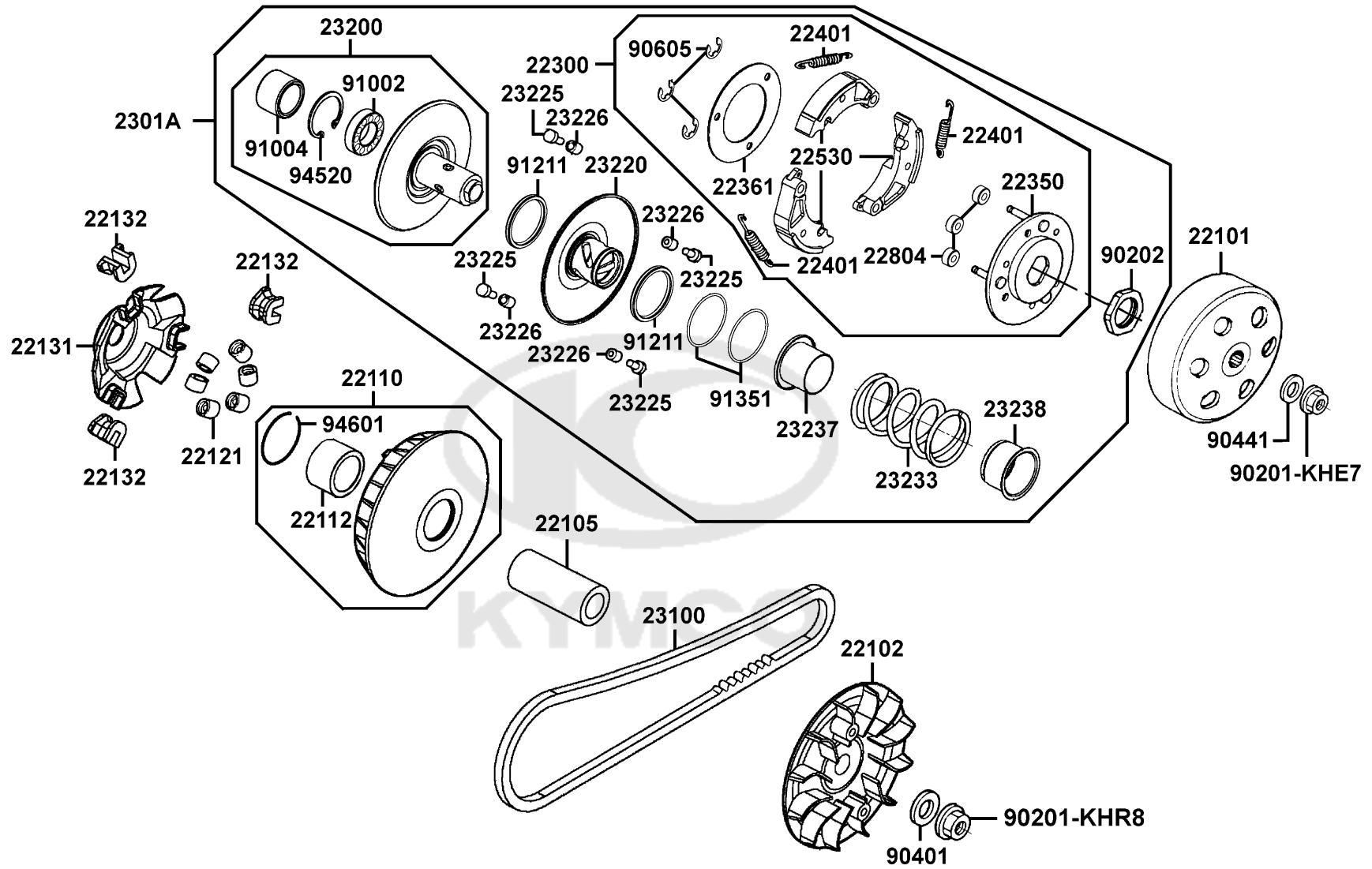
E04

Right Crankcase Cover Water Pump



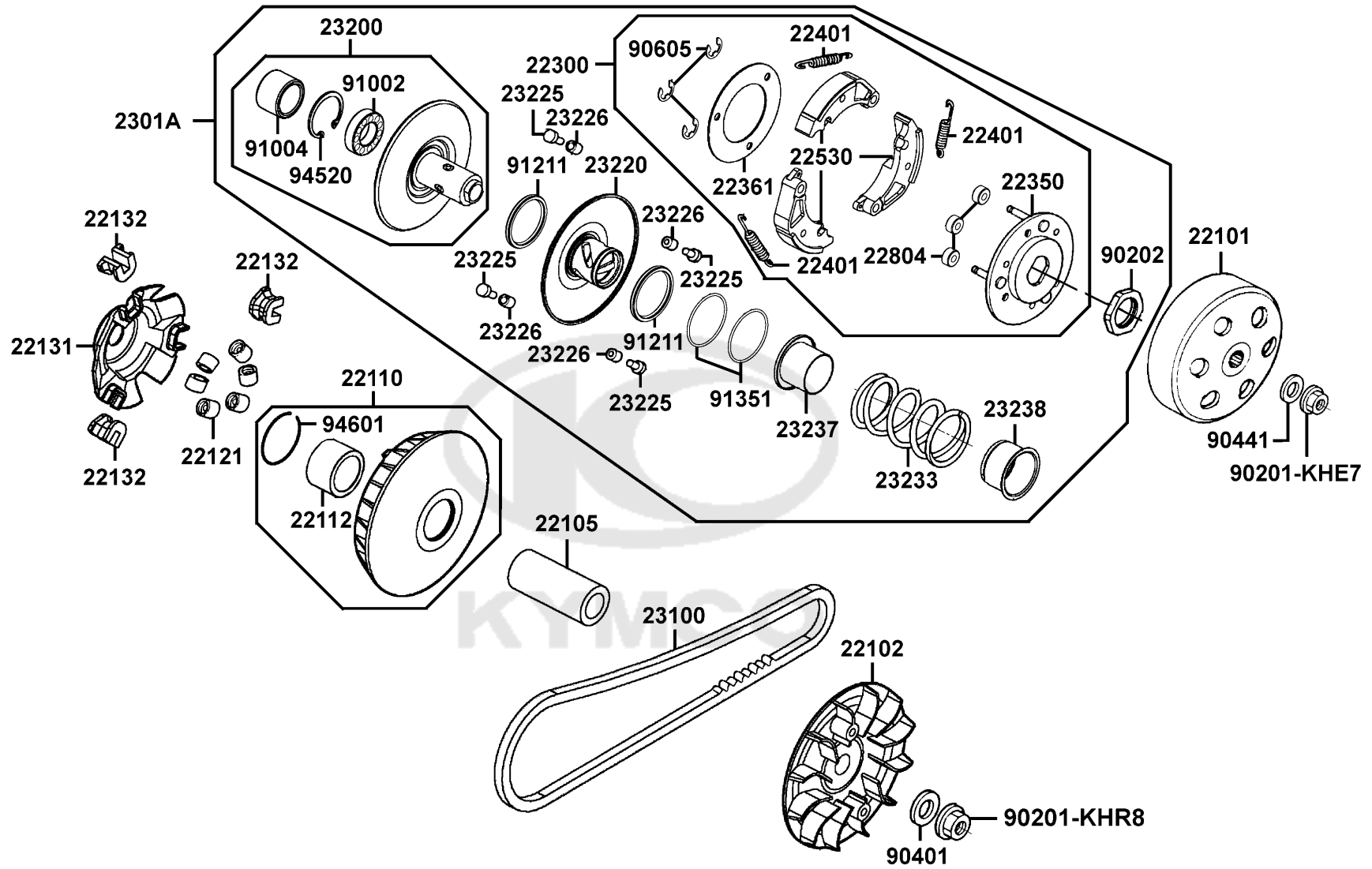
Sales mark	Ref no	Part no	Description	Reg description	Regd no	E04
91001		91001-KKJ9-006	BRG BALL RADIAL 6901	BRG BALL RADIAL 6901	1	
91201		91201-KKJ9-004	OIL SEAL 12*20*4	OIL SEAL 12*20*4	1	
91302-0A01		91302-0A01-021	O-RING 30.8MM	O-RING 30.8MM	2	
91302-KHE7		91302-KHE7-900	O RING 27.4*2.1	O RING 27.4*2.1	1	
91303		91303-3G77-001	O-RING 13.8*2.5	O-RING 13.8*2.5	1	
91307		91307-0E35-001	O RING 18*3	O RING 18*3	1	
94301-08140		94301-08140	PIN A DOWEL 8*14	PIN A DOWEL 8*14	2	
94301-10160		94301-10160	DOWEL PIN 10*16	DOWEL PIN 10*16	2	
94520		94520-26000	CIR CLIP INTERAL 26MM	CIR CLIP INTERAL 26MM	1	
95002-KGN7		95002-KGN7-910	CLIP TUBE	CLIP TUBE	1	
95002-KHE7		95002-KHE7-900	CLIP WATER HOSE	CLIP WATER HOSE	3	
96001-06010		96001-06010-08	BOLT FLANGE SH 6*10	BOLT FLANGE SH 6*10	1	
96001-06018		96001-06018-02	BOLT FLANGE 6X18	BOLT FLANGE 6X18	3	
96001-06022		96001-06022-08	BOLT FLANGE SH 6*22	BOLT FLANGE SH 6*22	2	
96001-06028		96001-06028-08	BOLT FLANGE SH 6*28	BOLT FLANGE SH 6*28	2	
96001-06045		96001-06045-08	BOLT FLANGE SH 6*45	BOLT FLANGE SH 6*45	3	
96001-06125		96001-06125-08	BOLT FLANGE 6*125	BOLT FLANGE 6*125	6	
96100-60000		96100-60000-00	BEARING RADIAL BALL 600	BEARING RADIAL BALL 600	1	

Transmission Pulley



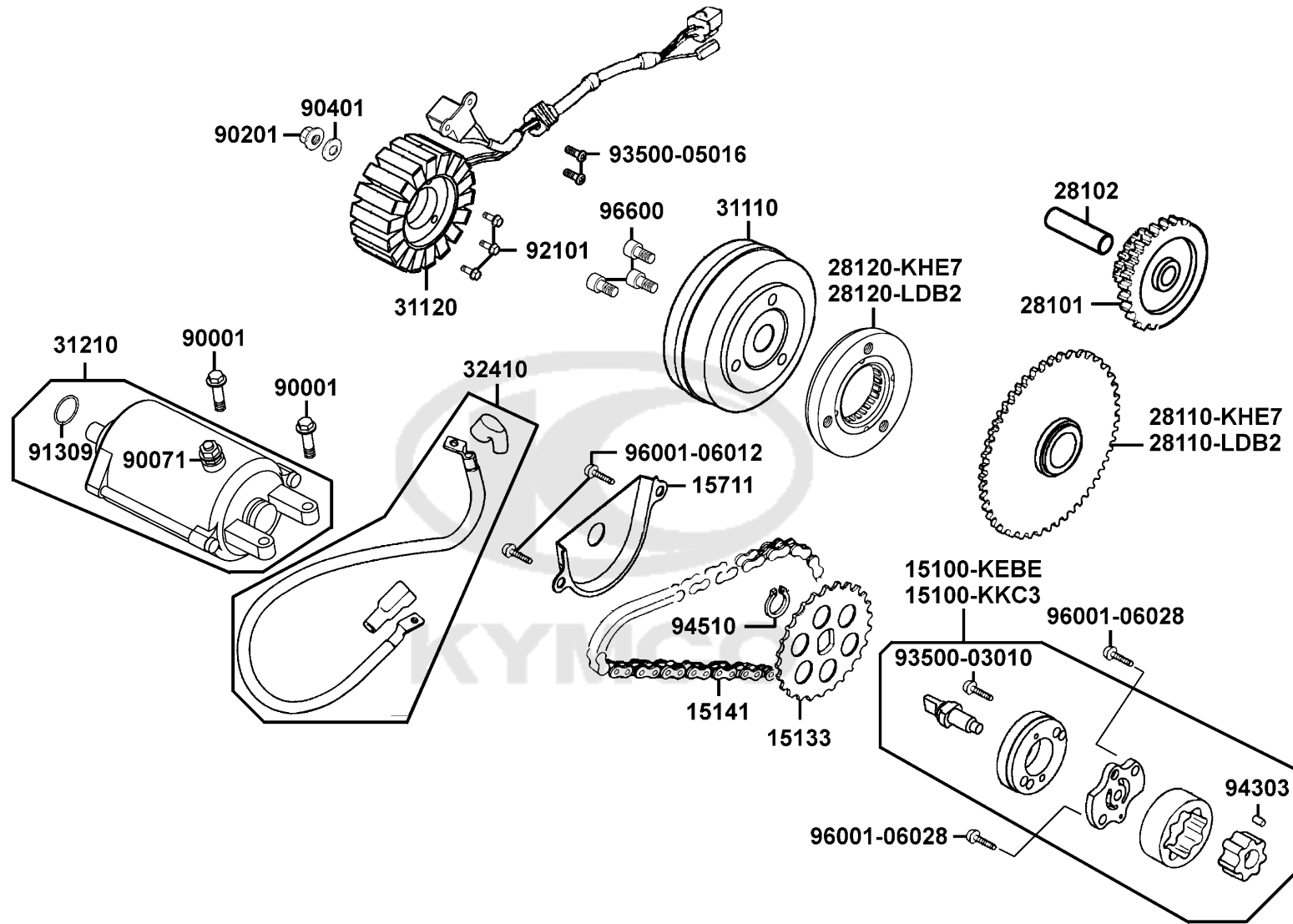
Sales mark	Ref no	Part no	Description	Reg description	Regd no	E05
22101		22101-KHE7-900	OUTER CLUTCH	OUTER CLUTCH	1	
22102		22102-KHE7-900	FACE DRIVE	FACE DRIVE	1	
22105		22105-KHE7-900	BOSS DRIVE FACE	BOSS DRIVE FACE	1	
22105		22105-LBA7-900	BOSS DRIVE FACE	BOSS DRIVE FACE	1	
22110		22110-KHE7-900	FACE COMP MOVABLE DRIVE	FACE COMP MOVABLE DRIVE	1	
22112		22112-KHE7-900	BUSH 27*33*37	BUSH 27*33*37	1	
22121		22121-KHE7-90A	ROLLER COMP WEIGHT	ROLLER COMP WEIGHT	6	
22131		22131-KHE7-900	PLATE RAMP	PLATE RAMP	1	
22131		22131-LBA7-900	PLATE RAMP	PLATE RAMP	1	
22132		22132-KHE7-900	PIECE SLIDE	PIECE SLIDE	3	
22300		22300-KHE7-900	PLATE ASSY DRIVE	PLATE ASSY DRIVE	1	
22350		22350-KHE7-900	PLATE COMP DRIVE	PLATE COMP DRIVE	1	
22361		22361-LEA7-E00	PLATE CLUTCH SIDE	PLATE CLUTCH SIDE	1	
22401		22401-KHE7-900	SPRING CLUTCH	SPRING CLUTCH	3	
22530		22530-KHE7-900	WEIGHT CLUTCH	WEIGHT CLUTCH	3	
22804		22804-GBB2-001	RUBBER CLUTCH DUMRER	RUBBER CLUTCH DUMRER	3	
2301A		2301A-LLJ3-E00	PULLEY SUB ASSY	PULLEY SUB ASSY	1	
23100		23100-KHE7-900	BELT DRIVE	BELT DRIVE	1	
23200		23200-KHE7-900	FACE ASSY DRIVEN	FACE ASSY DRIVEN	1	
23220		23220-KHE7-900	FACE COMP MOVABLE DRIVEN	FACE COMP MOVABLE DRIVEN	1	

Transmission Pulley

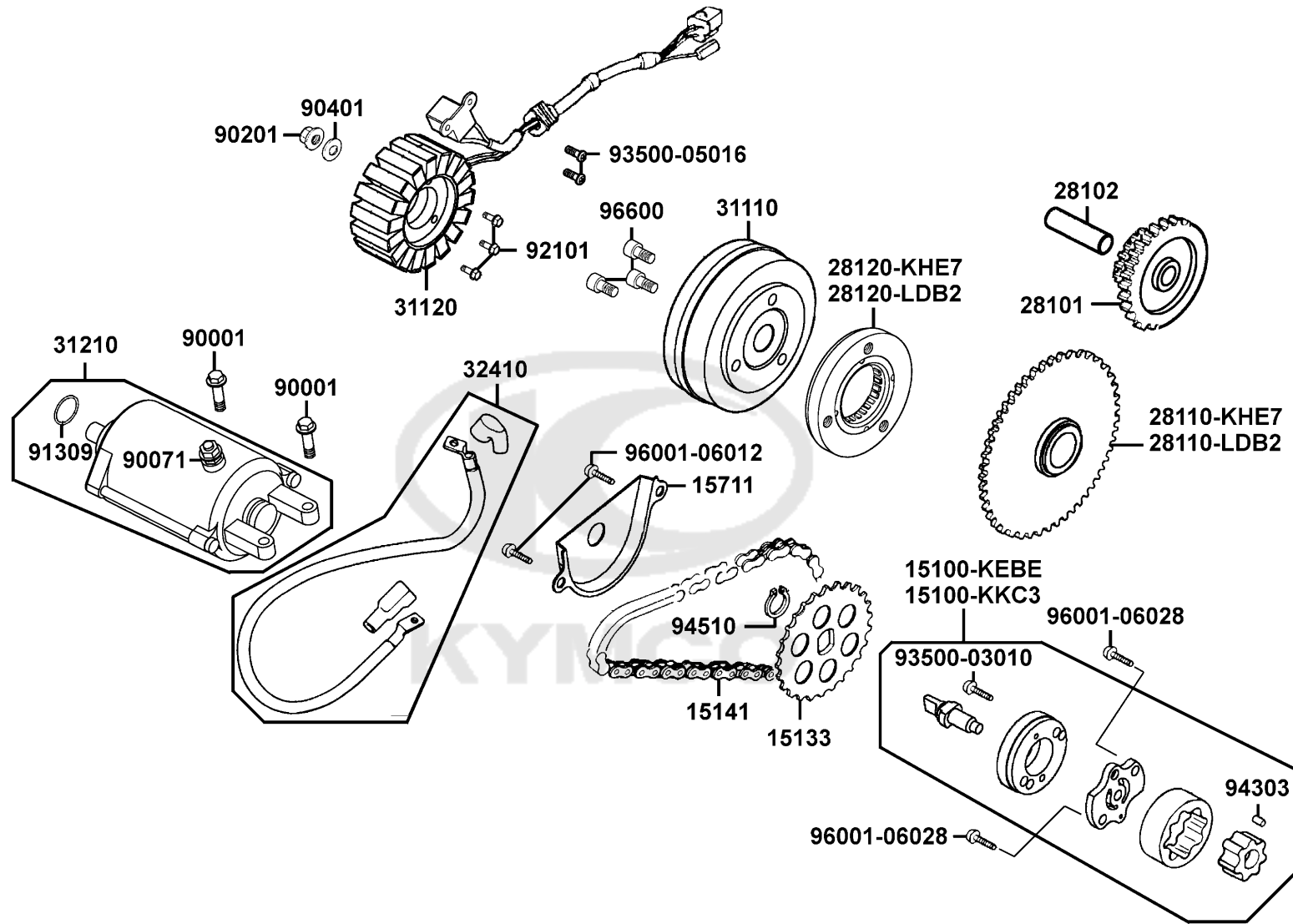


Sales mark	Ref no	Part no	Description	Reg description	Regd no	E05
23225		23225-KHE7-900	PIN ROLLER GUIDE	PIN ROLLER GUIDE	4	
23226		23226-GHC8-004	ROLLER GUIDE	ROLLER GUIDE	4	
23233		23233-KHE7-900	SPG DRIVEN FACE	SPG DRIVEN FACE	1	
23237		23237-KHE7-900	COLLAR SEAL	COLLAR SEAL	1	
23238		23238-KHE7-900	COLLAR SPG	COLLAR SPG	1	
90201-KHE7		90201-KHE7-900	NUT C FLANGE M12	NUT C FLANGE M12	1	
90201-KHR8		90201-KHR8-75A	NUT FLANGE 14MM	NUT FLANGE 14MM	1	
90202		90202-1G87-001	NUT SPECIAL 28MM	NUT SPECIAL 28MM	1	
90401		90401-KKJ9-001	WASHER THRUST 14*28*2	WASHER THRUST 14*28*2	1	
90441		90441-GFY6-941	WASHER 12. 2*29*2.5	WASHER 12. 2*29*2.5	1	
90605		90605-1F66-721	CIR CLIP 7MM	CIR CLIP 7MM	3	
91002		91002-GGA7-70A	BRG BALL RADIAL 6902U 15*28*7	BRG BALL RADIAL 6902U 15*28*7	1	
91004		91004-KHE7-900	BRG NDL 22*29*18	BRG NDL 22*29*18	1	
91211		91211-KHE7-900	SEAL DRIVEN FACE	SEAL DRIVEN FACE	2	
91351		91351-KHE7-900	O-RING PINION CAP	O-RING PINION CAP	2	
94520		94520-28000	CIR CLIP IN 28MM	CIR CLIP IN 28MM	1	
94601		94601-33000	CLIP PISTON PIN 33MM	CLIP PISTON PIN 33MM	1	

Starting MotorGenerator

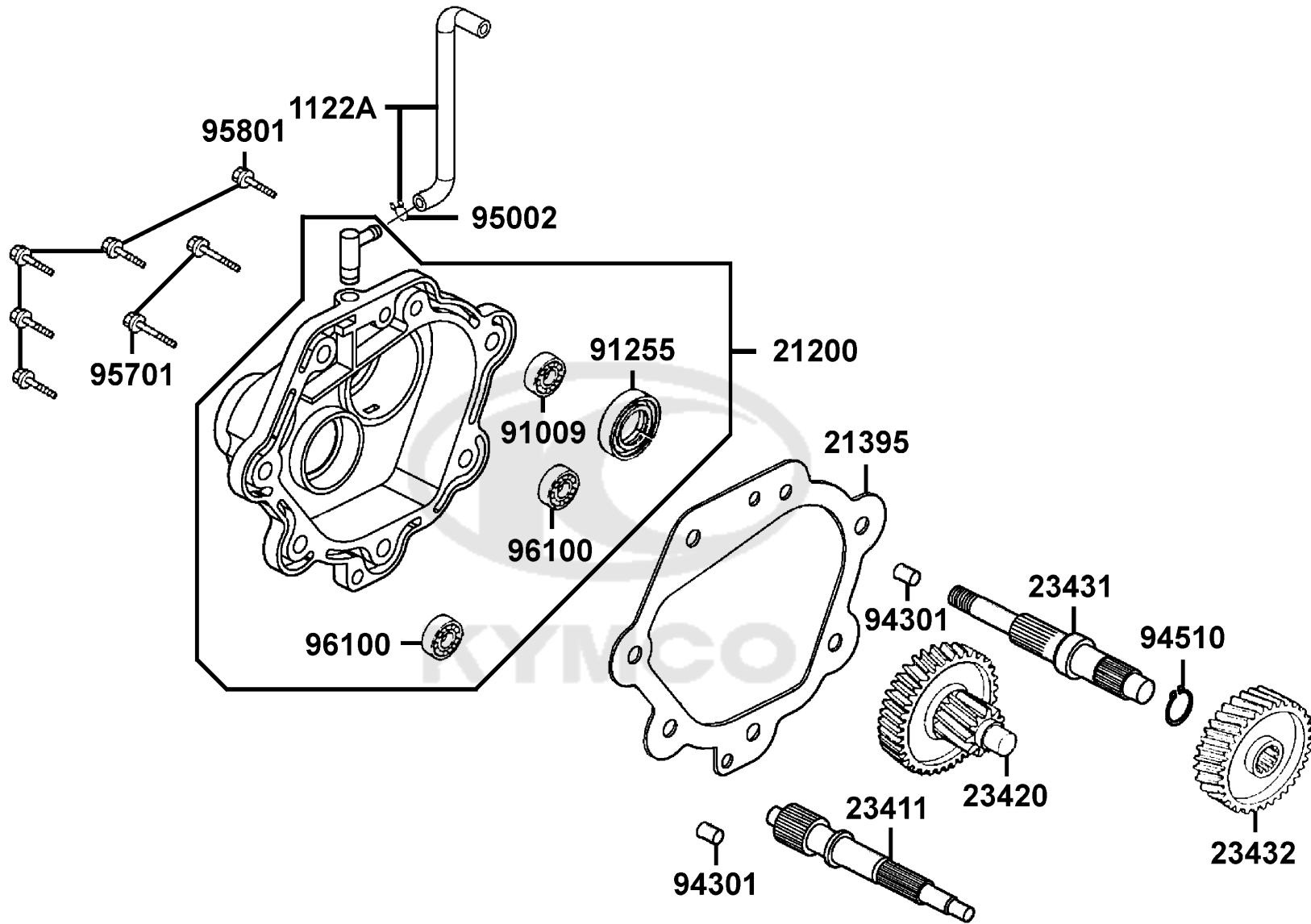


Sales mark	Ref no	Part no	Description	Reg description	Regd no	E06
	15100-KEBE	15100-KEBE-900	PUMP ASSY OIL	PUMP ASSY OIL	1	
	15100-KKC3	15100-KKC3-900	PUMP ASSY OIL	PUMP ASSY OIL	1	
	15133	15133-KAM1-001	SPRKT OIL PUMP DRIVEN	SPRKT OIL PUMP DRIVEN	1	
	15141	15141-KKJ9-004	CHAIN OIL PUMP	CHAIN OIL PUMP	1	
	15711	15711-KHE7-900	SEPARATER OIL	SEPARATER OIL	1	
	28101	28101-KHE7-900	GEAR STARTER REDUCTION	GEAR STARTER REDUCTION	1	
	28102	28102-KHE7-900	SHAFT STARTER REDUCTION	SHAFT STARTER REDUCTION	1	
	28110-KHE7	28110-KHE7-900	GEAR COMP STARTING CLUTCH	GEAR COMP STARTING CLUTCH	1	
	28110-LDB2	28110-LDB2-E00	GEAR COMP STARTING CLUTCH	GEAR COMP STARTING CLUTCH	1	
	28120-KHE7	28120-KHE7-E00	ONE WAY CLUTCH STARTER ASSY	ONE WAY CLUTCH STARTER ASSY	1	
	28120-LDB2	28120-LDB2-E00	ONE WAY CLUTCH	ONE WAY CLUTCH	1	
	31110	31110-KHE7-90A	FLYWHEEL COMP /D406	FLYWHEEL COMP /D406	1	
	31120	31120-KKC4-90A	STATOR COMP /D406	STATOR COMP /D406	1	
	31210	31210-KHE7-90A	MOTOR UNIT STARTER	MOTOR UNIT STARTER	1	
	32410	32410-KKC4-900	CABLE STARTER MOTOR	CABLE STARTER MOTOR	1	
	90001	90001-GBHB-661	BOLT FLANGE SH 6*22	BOLT FLANGE SH 6*22	2	
	90071	90071-MLB0-001	NUT WASH 6MM	NUT WASH 6MM	1	
	90201	90201-KHR8-75A	NUT FLANGE 14MM	NUT FLANGE 14MM	1	
	90401	90401-KKJ9-001	WASHER THRUST 14*28*2	WASHER THRUST 14*28*2	1	
	91309	91309-4E25-004	O-RING 24.4*3.1	O-RING 24.4*3.1	1	



Sales mark	Ref no	Part no	Description	Reg description	Regd no	E06
92101		92101-05032-0H	BOLT HEX 5*32	BOLT HEX 5*32	3	
93500-03010		93500-03010-1A	SCREW PAN 3*12	SCREW PAN 3*12	1	
93500-05016		93500-05016-0H	SCREW PAN 5*16	SCREW PAN 5*16	2	
94303		94303-04065	PIN C DOWEL 4*6.5	PIN C DOWEL 4*6.5	1	
94510		94510-10000	CIR EXTERNAL 10MM	CIR EXTERNAL 10MM	1	
96001-06012		96001-06012-08	BOLT FLANGE SH 6*12	BOLT FLANGE SH 6*12	2	
96001-06028		96001-06028-08	BOLT FLANGE SH 6*28	BOLT FLANGE SH 6*28	2	
96600		96600-08015-10	BOLT SOCKET 8*15	BOLT SOCKET 8*15	3	

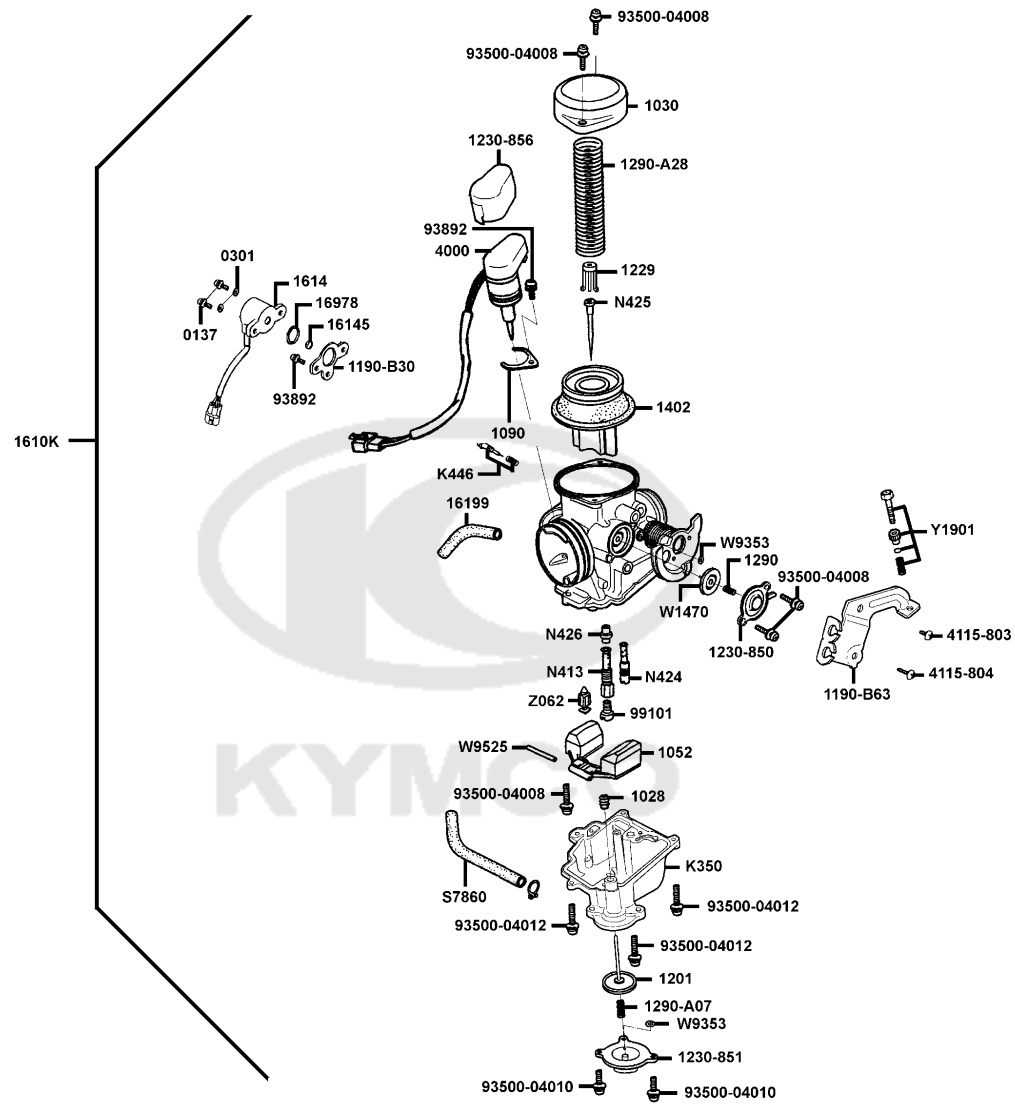




Sales mark	Ref no	Part no	Description	Reg description	Regd no	E07
1122A		1122A-KKC4-900	TUBE ASSY MISSION BREATHER	TUBE ASSY MISSION BREATHER	1	
21200		21200-KHE7-305	CASE COMP MISSION	CASE COMP MISSION	1	
21395		21395-KHE7-900	GASKET MISSION COVER @ A	GASKET MISSION COVER @ A	1	
21395		21395-KHE7-980	GASKET MISSION COVER @A	GASKET MISSION COVER @A	1	
23411		23411-KHE7-900	SHAFT DRIVE	SHAFT DRIVE	1	
23420		23420-KHE7-910	SHAFT COMP COUNTER	SHAFT COMP COUNTER	1	
23431		23431-KHE7-900	SHAFT FINAL	SHAFT FINAL	1	
23432		23432-KHE7-910	GEAR FINAL	GEAR FINAL	1	
91009		91009-KHE7-900	BRG BALL RADIAL 6205LLU	BRG BALL RADIAL 6205LLU	1	
91255		91255-KHE7-900	OIL SEAL 34*52*7	OIL SEAL 34*52*7	1	
94301		94301-10160	DOWEL PIN 10*16	DOWEL PIN 10*16	2	
94510		94510-25000	CIR CLIP EX 25	CIR CLIP EX 25	1	
95002		95002-02080	CLIP B8 CHAMBER TUBE	CLIP B8 CHAMBER TUBE	1	
95701		95701-08035-08	BOLT FLANGE 8*35	BOLT FLANGE 8*35	2	
95801		95801-08030-08	BOLT FLANGE 8*30	BOLT FLANGE 8*30	5	
96100		96100-63020-00	BRG BALL RADIAL 6302	BRG BALL RADIAL 6302	2	

E08

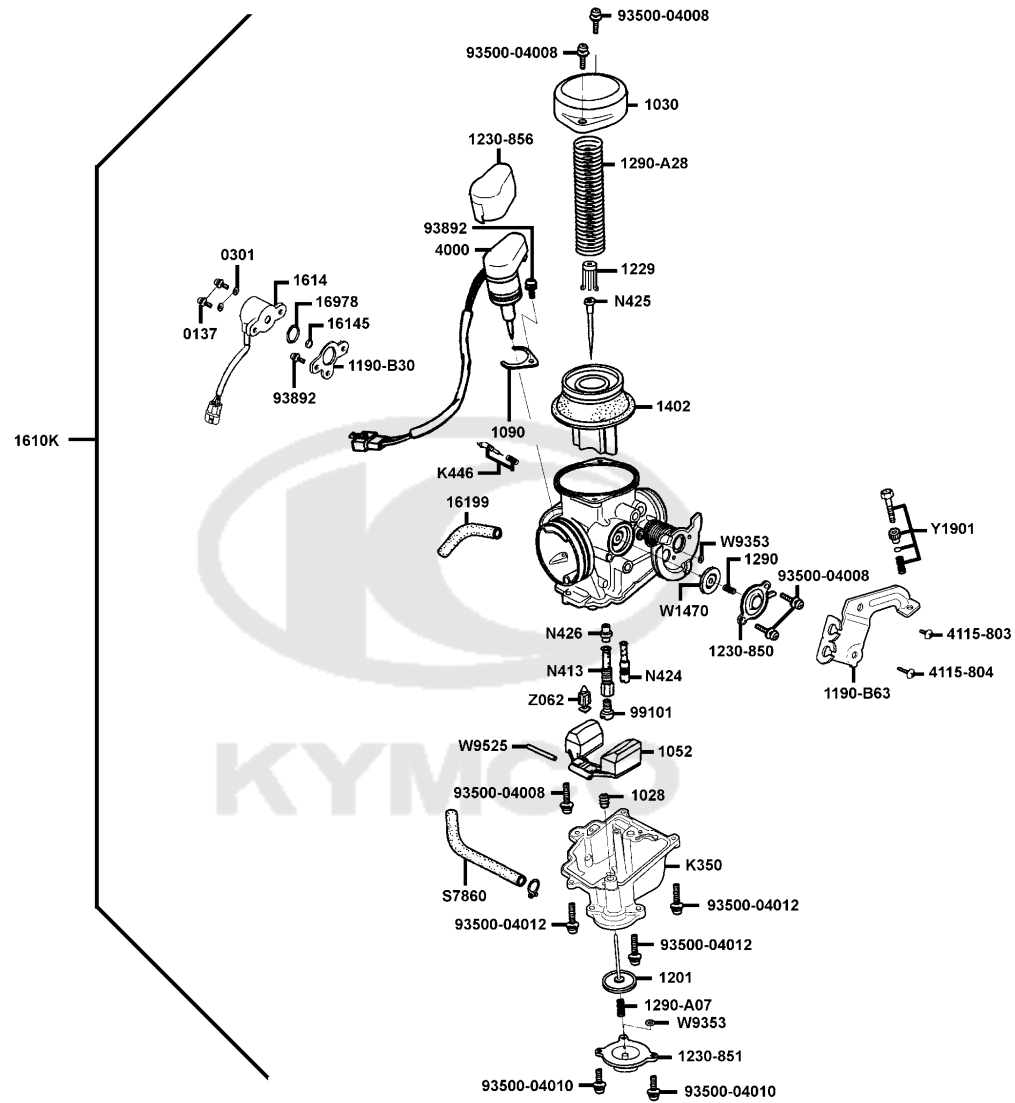
Carburetor



Sales mark	Ref no	Part no	Description	Reg description	Regd no	E08
	0137	0137-261-36G5	SCREW PAN	SCREW PAN	2	
	0301	0301-261-36G5	PLAIN WASHER	PLAIN WASHER	2	
	1028	1028-054-7000	SEALING CAP	SEALING CAP	1	
	1030	1030-892-2101	TOP SET	TOP SET	1	
	1052	1052-862-2101	FLOAT COMP	FLOAT COMP	1	
	1090	1090-872-2000	SET PLATE	SET PLATE	1	
	1190-B30	1190-B30-2002	STAY PLATE	STAY PLATE	1	
	1190-B63	1190-B63-2100	STAY PLATE SET	STAY PLATE SET	1	
	1201	1201-830-2300	DIAPHRAGM COMP	DIAPHRAGM COMP	1	
	1229	1229-805-7000	VALVE PLATE SET	VALVE PLATE SET	1	
	1230-850	1230-850-2000	COVER	COVER	1	
	1230-851	1230-851-2001	COVER	COVER	1	
	1230-856	1230-856-7001	HOLDER CAP	HOLDER CAP	1	
	1290	1290-996-2000	SPG COMPR	SPG COMPR	1	
	1290-A07	1290-A07-2000	SPG COMPR	SPG COMPR	1	
	1290-A28	1290-A28-2000	SPG COMPR	SPG COMPR	1	
	1402	1402-939-2100	VACUUM PISTON COMP	VACUUM PISTON COMP	1	
	1610K	1610K-KKC4-E00	CARBURETOR ASSY	CARBURETOR ASSY	1	
	1614	1614-834-2100	THROTTLE SENSOR	THROTTLE SENSOR	1	
	16145	16145-MZ2-7800	JOINT COLLAR	JOINT COLLAR	1	

E08

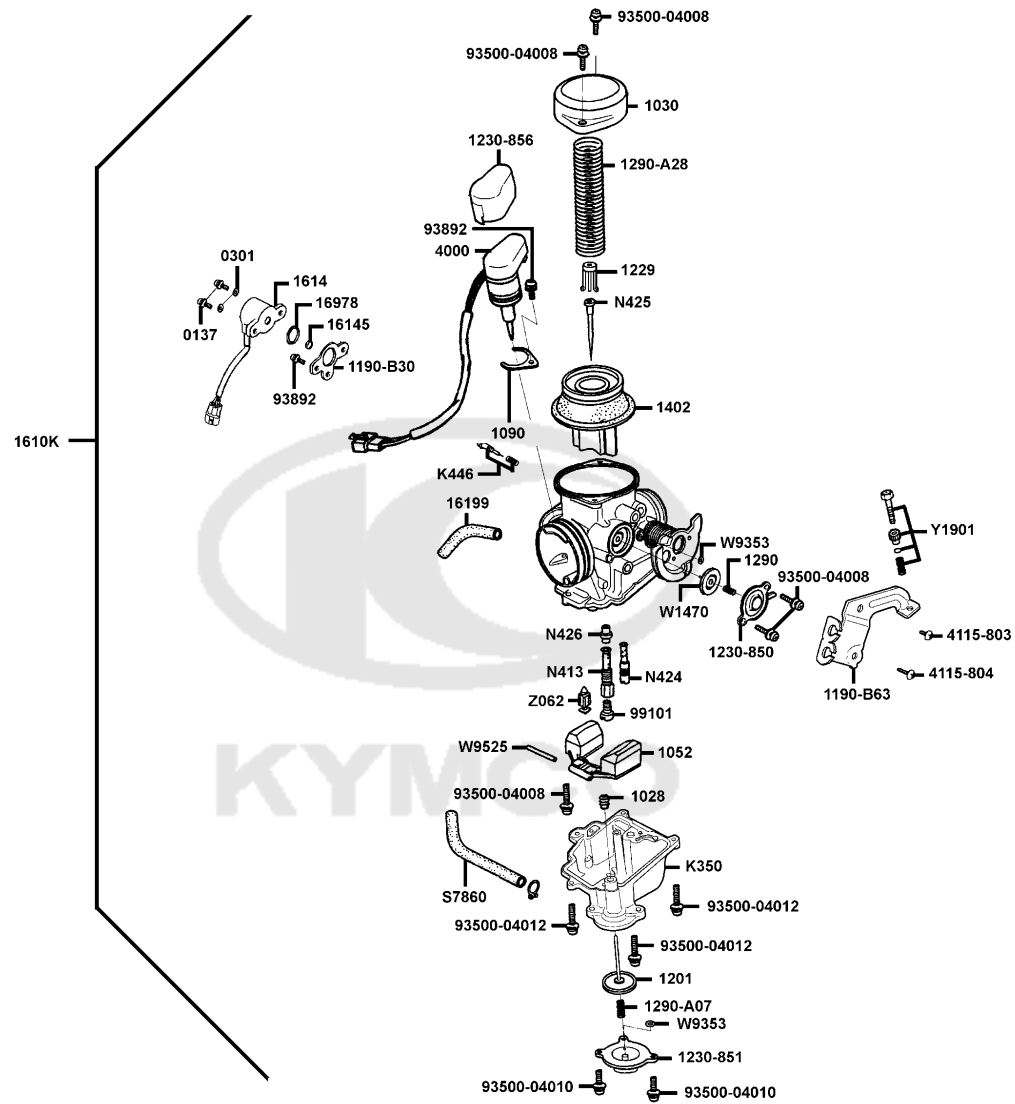
Carburetor



Sales mark	Ref no	Part no	Description	Reg description	Regd no	E08
16199		16199-GFY6-900	TUBE SET	TUBE SET	1	
16978		16978-ZB9-0050	O-RING	O-RING	1	
4000		4000-276-0000	AUTO BYSTARTER SET	AUTO BYSTARTER SET	1	
4115-803		4115-803-1100	SCREW PAN	SCREW PAN	1	
4115-804		4115-804-1100	SCREW PAN	SCREW PAN	1	
93500-04008		93500-04008-1H	SCREW PAN	SCREW PAN	5	
93500-04010		93500-04010-1H	SCREW	SCREW	2	
93500-04012		93500-04012-1H	SCREW PAN 4*12	SCREW PAN 4*12	3	
93892		93892-04008-18	SCREW WASHER 4*8	SCREW WASHER 4*8	2	
99101		99101-116-1020	MAIN JET	MAIN JET	1	
K350		K350-018-1210	FLOAT CHAMBER SET	FLOAT CHAMBER SET	1	
K446		K446-002-0100	SCREW SET	SCREW SET	1	
N413		N413-17E00	NEEDLE JET HOLDER	NEEDLE JET HOLDER	1	
N424		N424-51B38	SLOW JET	SLOW JET	1	
N425		N425-7AG01	JET NEEDLE COMP	JET NEEDLE COMP	1	
N426		N426-33B00	NEEDLE JET	NEEDLE JET	1	
S7860		S7860-112-B000	TUBE SET	TUBE SET	1	
W1470		W1470-MW0-7500	DIAPHRAGM COMP	DIAPHRAGM COMP	1	
W9353		W9353-36000	U RING	U RING	2	
W9525		W9525-25250	ARM PIN	ARM PIN	1	

E08

Carburetor



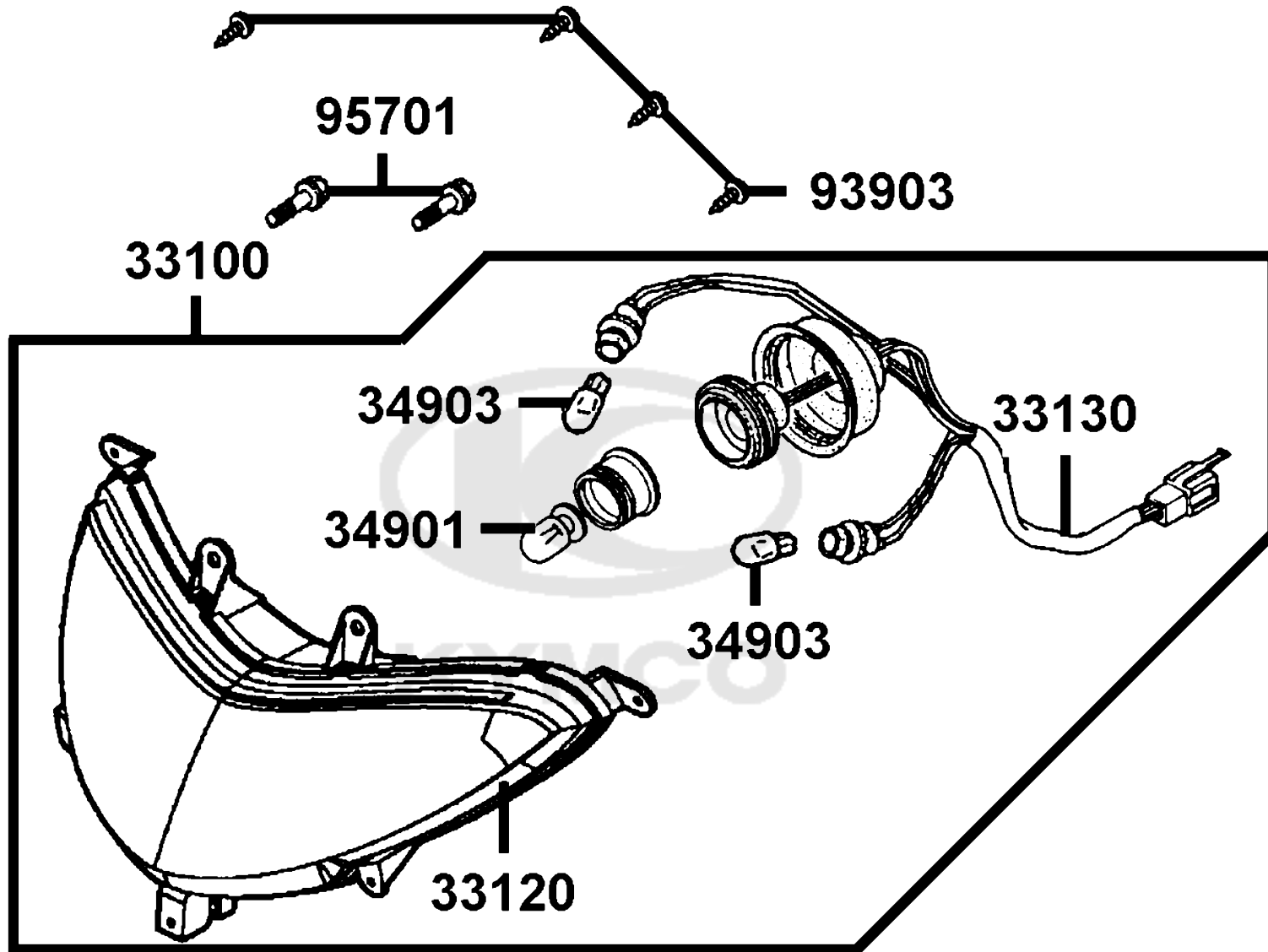
Sales mark	Ref no	Part no	Description	Reg description	Regd no	E08
------------	--------	---------	-------------	-----------------	---------	------------

Y1901		Y1901-002-0200	SCREW SET	SCREW SET	1	
Z062		Z062-0060	FLOAT VALVE SET	FLOAT VALVE SET	1	



F01

Head Light

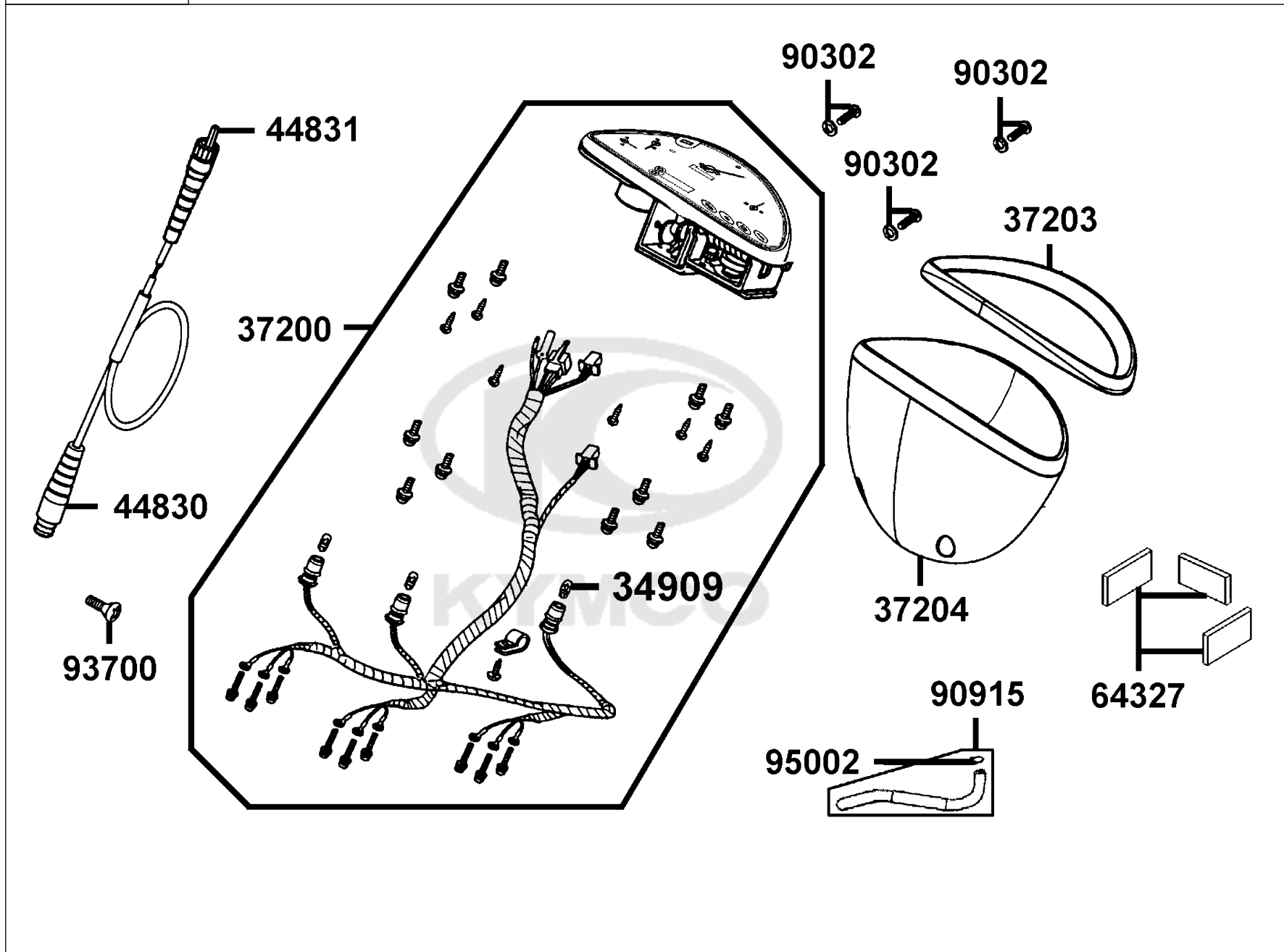


Sales mark	Ref no	Part no	Description	Reg description	Regd no	F01
	33100	33100-KKC4-E00	LIGHT ASSY HEAD	LIGHT ASSY HEAD	1	
	33120	33120-KKC4-E00	UNIT HEAD LIGHT	UNIT HEAD LIGHT	1	
	33130	33130-KKC4-E00	SOCKET COMP HEAD	SOCKET COMP HEAD	1	
	34901	34901-KED9-900	BULB HEAD LIGHT	BULB HEAD LIGHT	1	
	34903	34903-KPCP-900	BULB POSITION	BULB POSITION	2	
	93903	93903-35360	SCREW TAPPING 5*16	SCREW TAPPING 5*16	4	
	95701	95701-06012-08	BOLT FLANGE 6*12	BOLT FLANGE 6*12	2	



F02

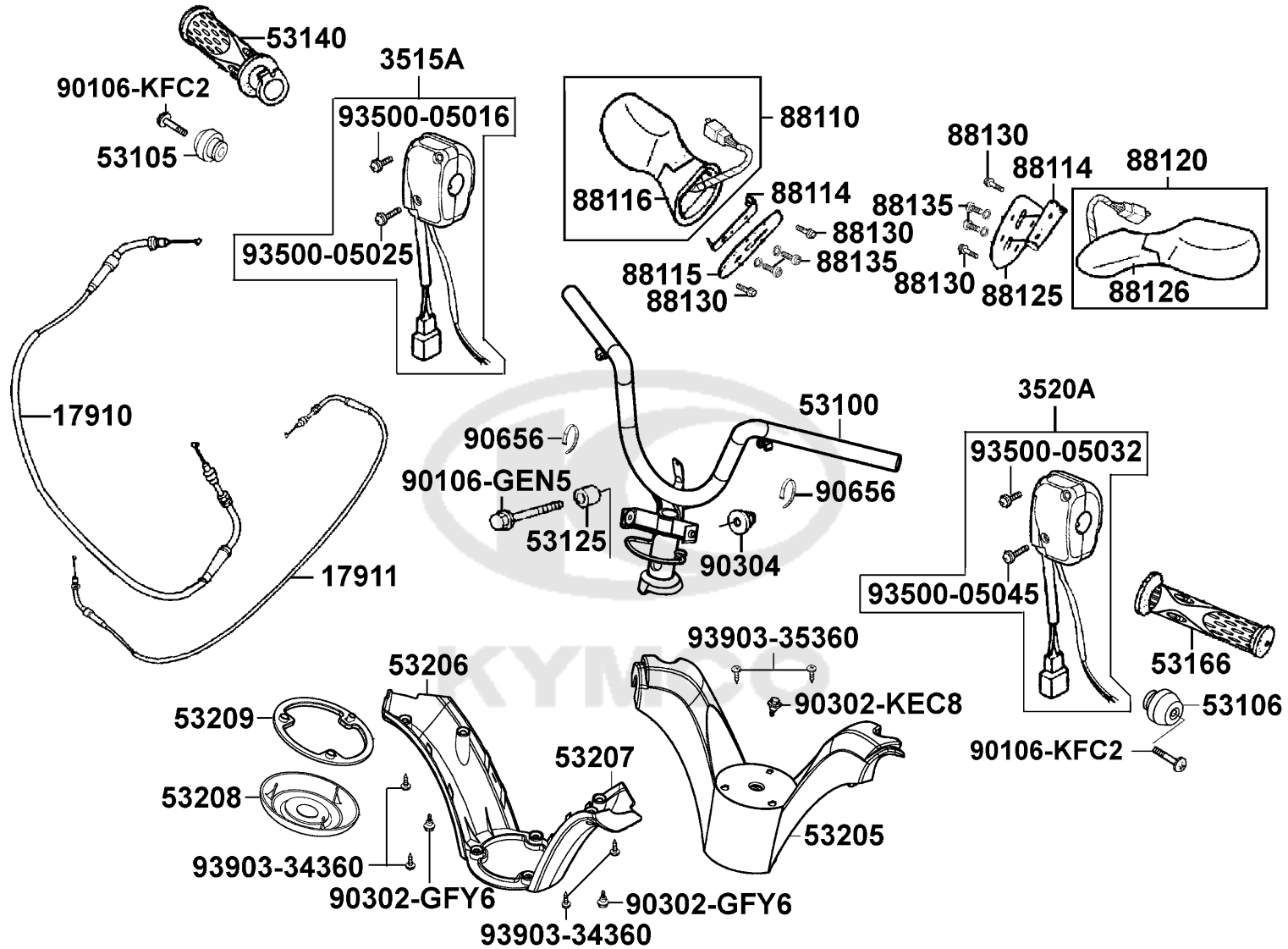
Speedometer



Sales mark	Ref no	Part no	Description	Reg description	Regd no	F02
	34909	34909-KEBE-900	BULB WEDGE BASE	BULB WEDGE BASE	3	
	37200	37200-KKC4-900	METER ASSY SPEED (LCD)	METER ASSY SPEED (LCD)	1	
**	37203	37203-KKC4-900	METER COVER FR	METER COVER FR	1	
**	37204	37204-KKC4-900	METER COVER RR	METER COVER RR	1	
	44830	44830-KKC4-900	CABLE COMP SPDMT	CABLE COMP SPDMT	1	
	44831	44831-KKC4-900	CABLE INNER	CABLE INNER	1	
	64327	64327-KKC4-900	SPONGE TAPE METER COVER	SPONGE TAPE METER COVER	3	
	90302	90302-GFY6-940	BOLT WASHER 5*16	BOLT WASHER 5*16	3	
	90915	90915-KKC4-900	TUBE DRAIN	TUBE DRAIN	1	
	93700	93700-05018-0H	SCREW OVAL 5*18	SCREW OVAL 5*18	1	
	95002	95002-50000	CLIP C9 TUBE	CLIP C9 TUBE	1	

F03

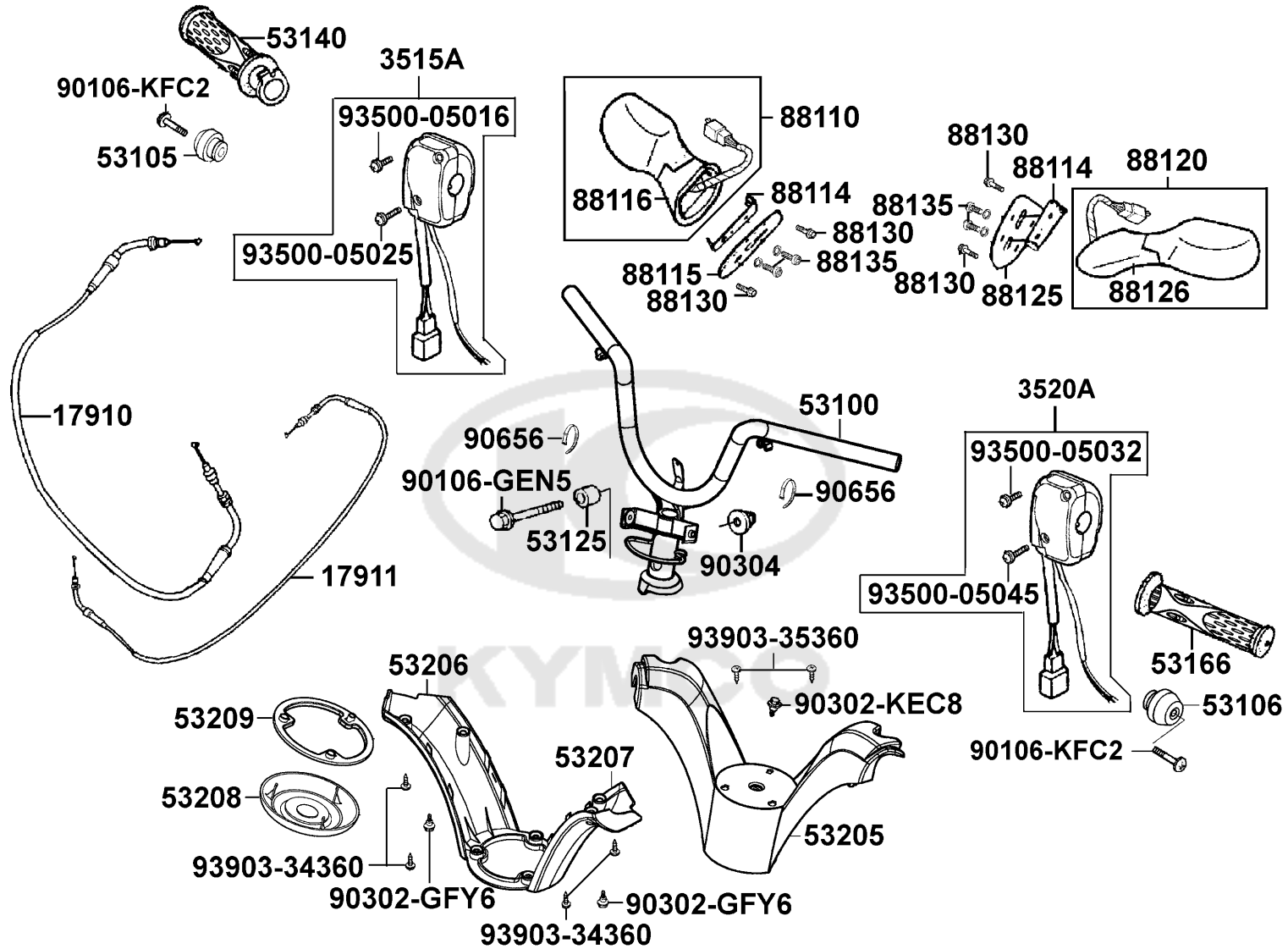
Handle SteeringHandle Cover



Sales mark	Ref no	Part no	Description	Reg description	Regd no	F03
	17910	17910-KKC4-900	CABLE COMP THROT	CABLE COMP THROT	1	
	17911	17911-KKC4-900	CABLE B COMP THROT	CABLE B COMP THROT	1	
	3515A	3515A-KKC4-900	SW ASSY RH HNDL COMP	SW ASSY RH HNDL COMP	1	
	3520A	3520A-KEBE-900	SW ASSY L HNDL COMP	SW ASSY L HNDL COMP	1	
	53100	53100-KKC4-900	HANDLE COMP STRG	HANDLE COMP STRG	1	
	53105	53105-KFC8-900	END R STRG HANDLE	END R STRG HANDLE	1	
	53106	53106-KFC8-900	END L STRG HANDLE	END L STRG HANDLE	1	
	53125	53125-GEN5-901	COLLAR HANDLE SET	COLLAR HANDLE SET	1	
**	53140	53140-KKC4-900	GRIP COMP THROT	GRIP COMP THROT	1	
**	53166	53166-KGB5-900	GRIP L HANDLE	GRIP L HANDLE	1	
**	53205	53205-KKC4-900	COVER HNDL UP	COVER HNDL UP	1	
**	53206	53206-KKC4-900	COVER R HANDLE LOW	COVER R HANDLE LOW	1	
**	53207	53207-KKC4-900	COVER L HANDLE LOW	COVER L HANDLE LOW	1	
**	53208	53208-KKC4-900	GRILL HANDLE UP	GRILL HANDLE UP	1	
	53209	53209-KKC4-900	PACKING HANDLE UP	PACKING HANDLE UP	1	
**	88110	88110-KKC4-305	MIRROR ASSY R BACK	MIRROR ASSY R BACK	1	
	88114	88114-KKC4-900	STAY MIRROR	STAY MIRROR	2	
	88115	88115-KKC4-900	PAD R MIRROR	PAD R MIRROR	1	
	88116	88116-KKC4-900	BASE R MIRROR	BASE R MIRROR	1	
**	88120	88120-KKC4-305	MIRROR ASSY L BACK	MIRROR ASSY L BACK	1	

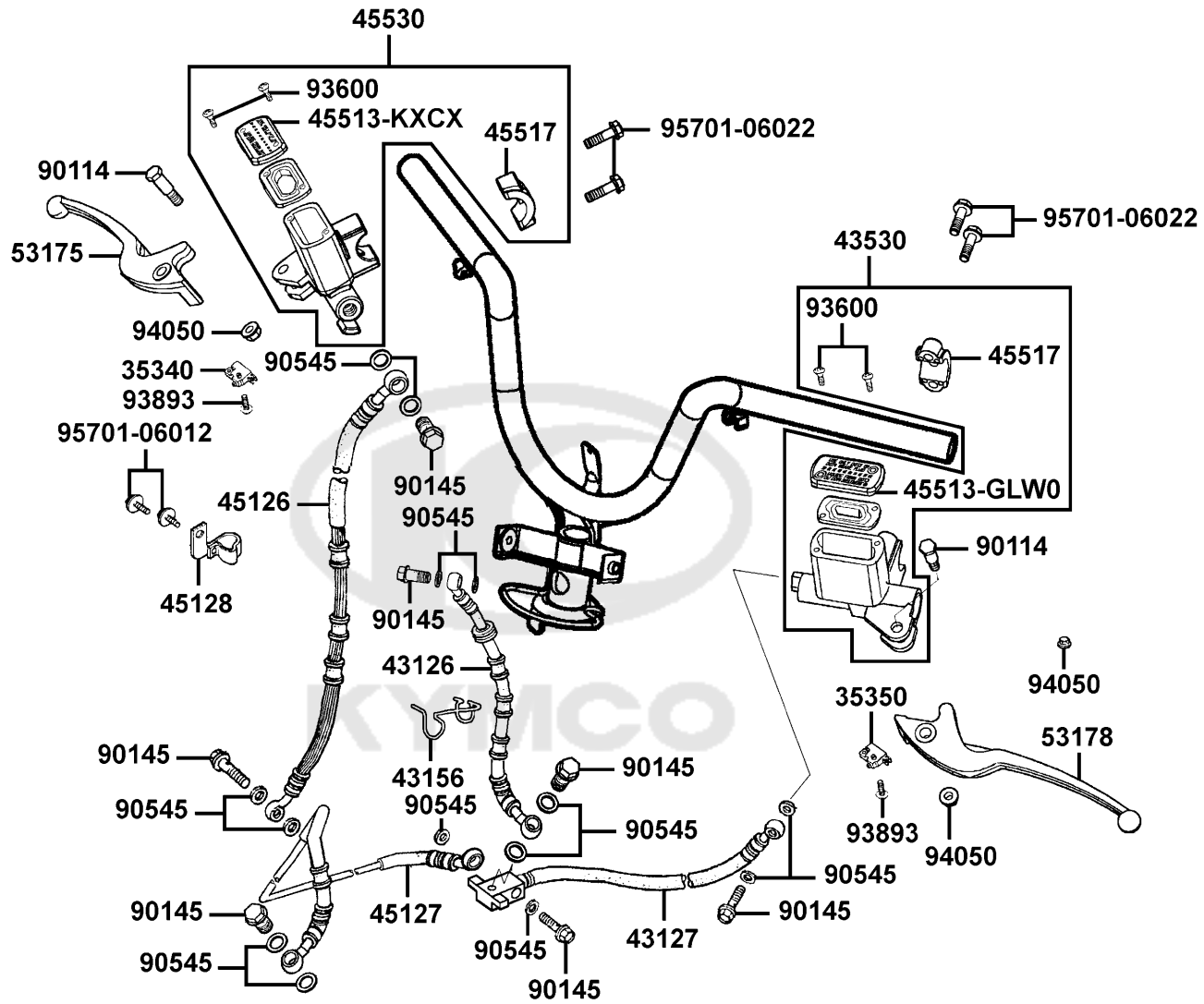
F03

Handle SteeringHandle Cover



Sales mark	Ref no	Part no	Description	Reg description	Regd no	F03
88125		88125-KKC4-900	PAD L MIRROR	PAD L MIRROR	1	
88126		88126-KKC4-900	BASE L MIRROR	BASE L MIRROR	1	
88130		88130-KKC4-900	BOLT SPECIAL	BOLT SPECIAL	4	
88135		88135-KKC4-900	SCREW PAN 5*20	SCREW PAN 5*20	4	
90106-GEN5		90106-GEN5-901	BOLT FLANGE 10*50	BOLT FLANGE 10*50	1	
90106-KFC2		90106-KFC2-900	BOLT WASH 8MM	BOLT WASH 8MM	2	
90302-GFY6		90302-GFY6-901	BOLT WASH 5*12	BOLT WASH 5*12	2	
90302-KEC8		90302-KEC8-900	BOLT PAN 5*9	BOLT PAN 5*9	1	
90304		90304-GHE8-004	NUT U 10MM	NUT U 10MM	1	
90656		90656-KCBC-900	BAND OIL HANDLE	BAND OIL HANDLE	1	
93500-05016		93500-05016-1B	SCREW PAN 5*16	SCREW PAN 5*16	1	
93500-05025		93500-05025-1B	SCREW PAN 5*25	SCREW PAN 5*25	1	
93500-05032		93500-05032-1B	SCREW PAN 5*32	SCREW PAN 5*32	1	
93500-05045		93500-05045-1B	SCREW PAN 5*45	SCREW PAN 5*45	1	
93903-34360		93903-34360	SCREW TAPPING 4*12	SCREW TAPPING 4*12	4	
93903-35360		93903-35360	SCREW TAPPING 5*16	SCREW TAPPING 5*16	2	

Brake Master Cylinder



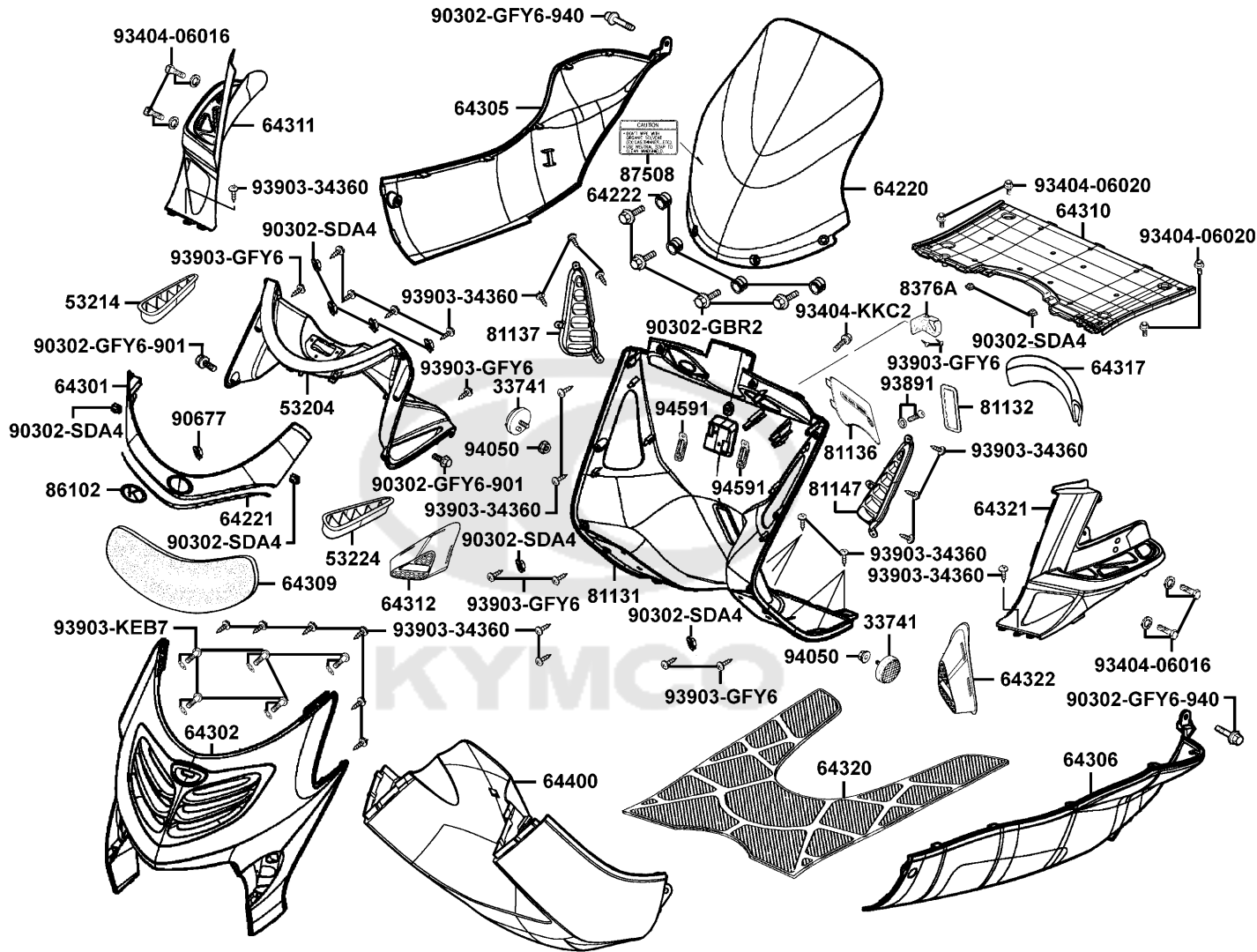
Sales mark	Ref no	Part no	Description	Reg description	Regd no	F04
	35340	35340-KNBN-901	SW ASSY FR STOP	SW ASSY FR STOP	1	
	35350	35350-KNBN-901	SW ASSY RR STOP	SW ASSY RR STOP	1	
	43126	43126-KKC4-900	HOSE ASSY C/P RR BRK	HOSE ASSY C/P RR BRK	1	
	43127	43127-KKC4-900	HOSE ASSY M/CRR BRAKE	HOSE ASSY M/CRR BRAKE	1	
	43156	43156-KKC4-900	CLAMPER HOSE RR	CLAMPER HOSE RR	2	
	43530	43530-KKC4-305	CYLINDER SET RR MASTER	CYLINDER SET RR MASTER	1	
	45126	45126-KKC4-900	HOSE ASSY FR BRAKE	HOSE ASSY FR BRAKE	1	
	45127	45127-KKC4-900	HOSE ASSY C/P FR BRK	HOSE ASSY C/P FR BRK	1	
	45128	45128-KKC4-900	CLAMPER FR BRAKE HOSE	CLAMPER FR BRAKE HOSE	1	
	45513-GLW0	45513-GLW0-91A	CAP MASTER CYLINDER	CAP MASTER CYLINDER	1	
	45513-KXCX	45513-KXCX-M00	CAP MASTER CYLINDER	CAP MASTER CYLINDER	1	
	45517	45517-KFAF-910	HOLDER M/C	HOLDER M/C	2	
	45530	45530-KFC8-E00	CYLN SET FR MASTER	CYLN SET FR MASTER	1	
**	53175	53175-KFA5-E10	LEVER R STRG HNDL	LEVER R STRG HNDL	1	
**	53178	53178-KFC8-E10	LEVER L STRG HANDLE	LEVER L STRG HANDLE	1	
	90114	90114-1F66-007	BOLT HANDLE LEVER	BOLT HANDLE LEVER	2	
	90145	90145-MKS9-61A	OIL BOLT 10*22	OIL BOLT 10*22	7	
	90545	90545-3L00-001	WASHER OIL BOLT	WASHER OIL BOLT	14	
	93600	93600-04012-1G	SCREW FLAT 4*12	SCREW FLAT 4*12	4	
	93893	93893-04012-18	SCREW WASHER 4*12	SCREW WASHER 4*12	2	

Sales mark	Ref no	Part no	Description	Reg description	Regd no	F04
------------	--------	---------	-------------	-----------------	---------	------------

	94050	94050-06080	NUT FLANGE 6MM	NUT FLANGE 6MM	3	
	95701-06012	95701-06012-08	BOLT FLANGE 6*12	BOLT FLANGE 6*12	2	
	95701-06022	95701-06022-06	BOLT FLANGE 6*22	BOLT FLANGE 6*22	4	

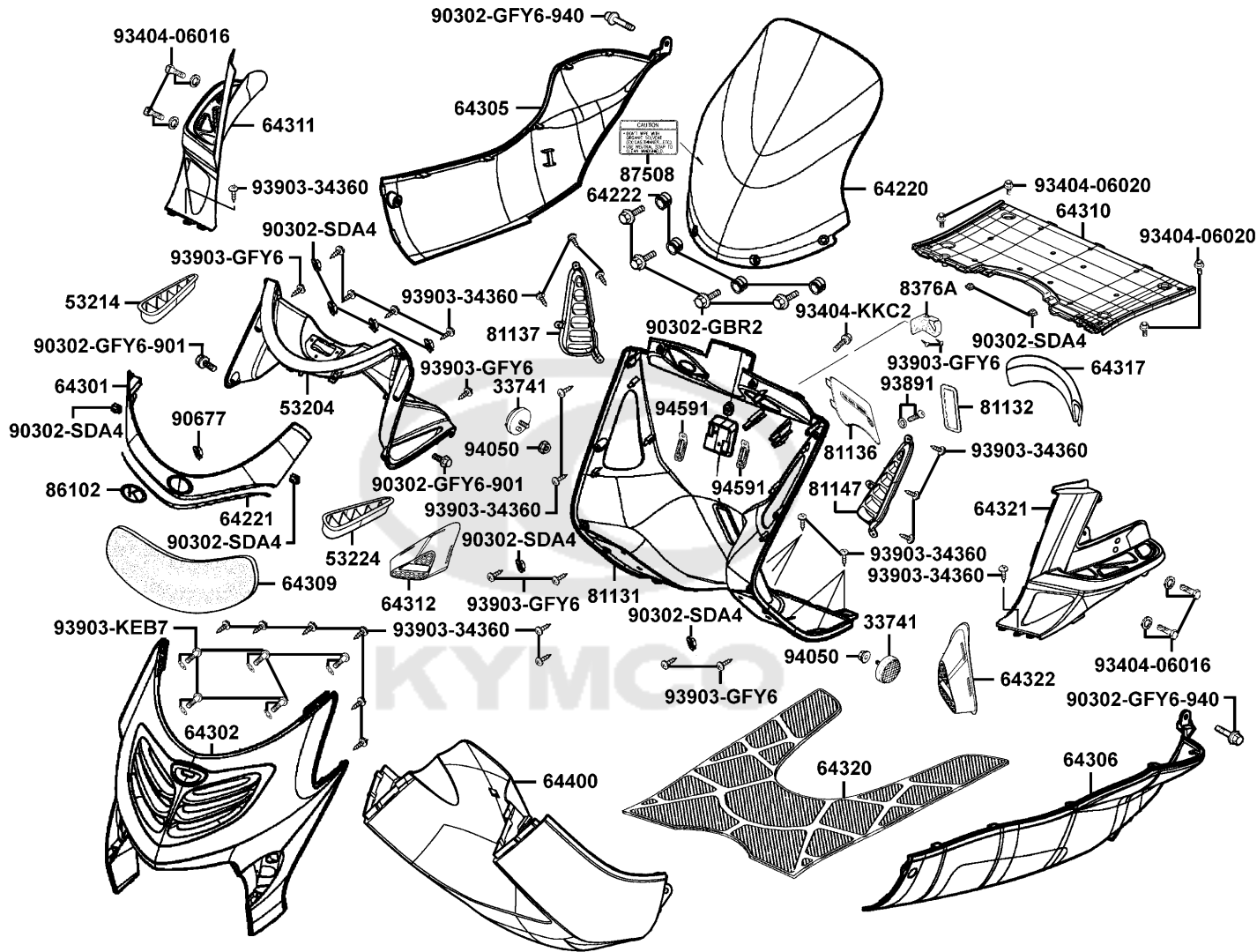


Front Cover/Floor Panel



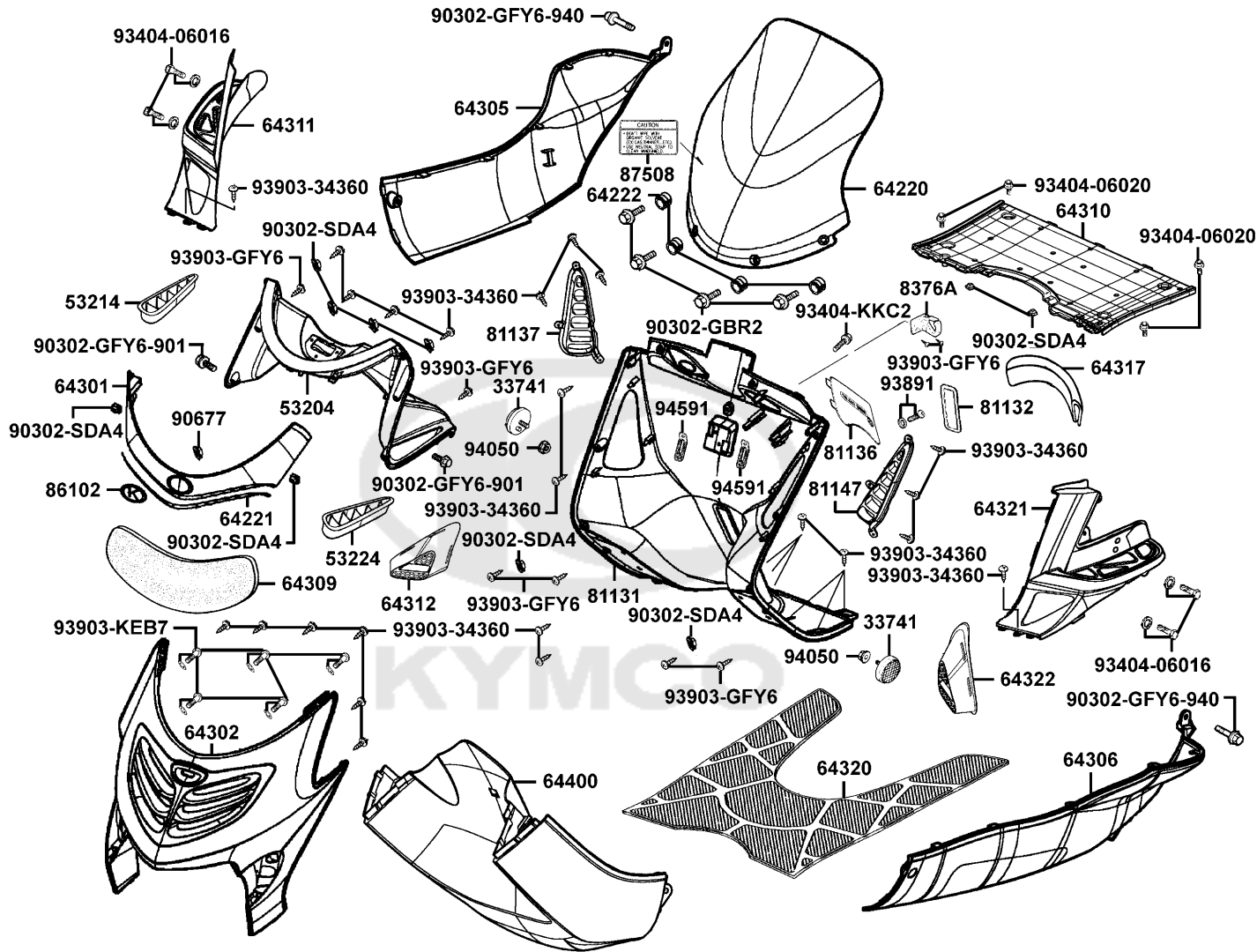
Sales mark	Ref no	Part no	Description	Reg description	Regd no	F05
	33741	33741-GFY6-C30	REFLEX REFLECTOR	REFLEX REFLECTOR	2	
**	53204	53204-KKC4-900	COVER METER	COVER METER	1	
**	53214	53214-KKC4-900	GRID R METER COVER	GRID R METER COVER	1	
**	53224	53224-KKC4-900	GRID L METER COVER	GRID L METER COVER	1	
	64220	64220-KKC4-900	WIND SCREEN	WIND SCREEN	1	
	64221	64221-KKC4-900	SEAL WIND SCREEN	SEAL WIND SCREEN	1	
	64222	64222-KKC4-900	RUBBER WIND SCREEN	RUBBER WIND SCREEN	4	
**	64301	64301-KKC4-900	COVER SCREEN	COVER SCREEN	1	
**	64302	64302-KKC4-900	MOLDING FR	MOLDING FR	1	
**	64305	64305-KKC4-900	SKIRT R SIDE	SKIRT R SIDE	1	
**	64306	64306-KKC4-900	SKIRT L SIDE	SKIRT L SIDE	1	
	64309	64309-KKC4-900	GRILL FR COVER	GRILL FR COVER	1	
**	64310	64310-KKC4-900	FLOOR PANEL	FLOOR PANEL	1	
**	64311	64311-KKC4-900	COVER R PILLION STEP	COVER R PILLION STEP	1	
**	64312	64312-KKC4-900	GRID R PILLION STEP	GRID R PILLION STEP	1	
	64317	64317-KKC4-900	SEAL METER COVER FR	SEAL METER COVER FR	1	
**	64320	64320-KKC4-900	MAT FLOOR	MAT FLOOR	1	
**	64321	64321-KKC4-900	COVER L PILLION STEP	COVER L PILLION STEP	1	
**	64322	64322-KKC4-900	GRID L PILLION STEP	GRID L PILLION STEP	1	
**	64400	64400-KKC4-900	COWL UNDER	COWL UNDER	1	

Front CoverFloor Panel



Sales mark	Ref no	Part no	Description	Reg description	Regd no	F05
**	81131	81131-KKC4-900	LEG SHIELD	LEG SHIELD	1	
**	81132	81132-KEB7-900	LID LEG SHIELD	LID LEG SHIELD	1	
**	81136	81136-KKC4-900	LID RESERVE TANK	LID RESERVE TANK	1	
**	81137	81137-KKC4-900	GRID R LEG SHIELD	GRID R LEG SHIELD	1	
**	81147	81147-KKC4-900	GRID L LEG SHIELD	GRID L LEG SHIELD	1	
	8376A	8376A-KEBE-900	CLIP ASSY CENTER	CLIP ASSY CENTER	1	
**	86102	86102-KKC4-900	EMB K-LOGO 28.5MM	EMB K-LOGO 28.5MM	1	
**	87508	87508-KKC4-E00	LABEL CLEANNESS CAUYION	LABEL CLEANNESS CAUYION	1	
	90302-GBR2	90302-GBR2-001	BOLT WASHER 5*16	BOLT WASHER 5*16	4	
	90302-GFY6-901	90302-GFY6-901	BOLT WASH 5*12	BOLT WASH 5*12	2	
	90302-GFY6-940	90302-GFY6-940	BOLT WASHER 5*16	BOLT WASHER 5*16	2	
	90302-SDA4	90302-SDA4-004	NUT SPRING 4MM	NUT SPRING 4MM	10	
	90677	90677-GAR1-004	NUT CLIP 5MM	NUT CLIP 5MM	1	
	93404-06016	93404-06016-06	BOLT WASHER 6*16	BOLT WASHER 6*16	4	
	93404-06020	93404-06020-06	BOLT WASHER 6*20	BOLT WASHER 6*20	4	
	93404-KKC2	93404-KKC2-900	BOLT WASH 6*16	BOLT WASH 6*16	1	
	93891	93891-05012-06	SCREW WASHER 5*12	SCREW WASHER 5*12	1	
	93903-34360	93903-34360	SCREW TAPPING 4*12	SCREW TAPPING 4*12	28	
	93903-GFY6	93903-GFY6-900	SCREW TAPP 4*14	SCREW TAPP 4*14	8	
	93903-KEB7	93903-KEB7-900-06	SCREW WASHER 4MM	SCREW WASHER 4MM	5	

Front CoverFloor Panel



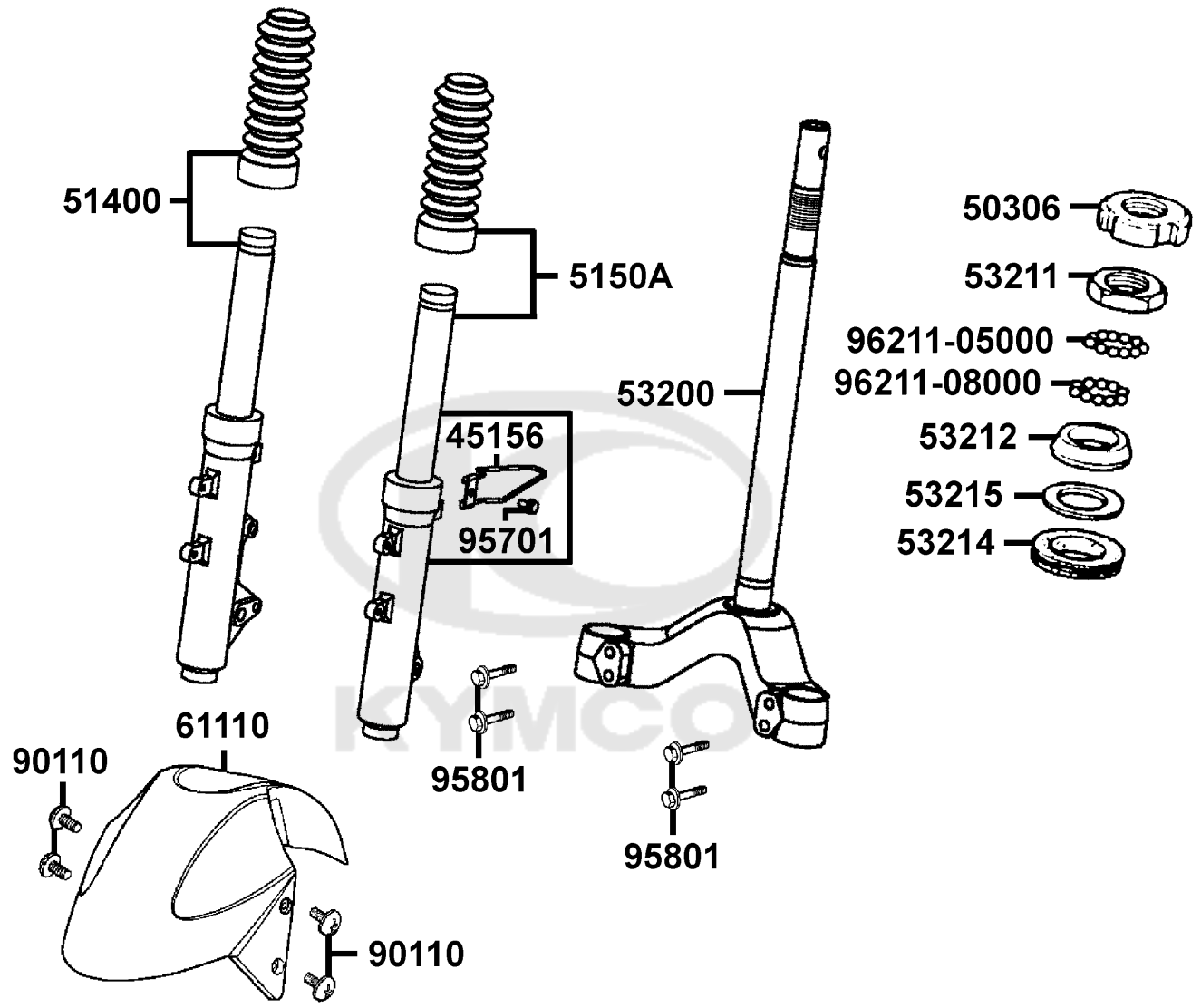
Sales mark	Ref no	Part no	Description	Reg description	Regd no	F05
------------	--------	---------	-------------	-----------------	---------	------------

94050		94050-06080	NUT FLANGE 6MM	NUT FLANGE 6MM	2	
94591		94591-27000	CLIP 2*100	CLIP 2*100	2	



F06

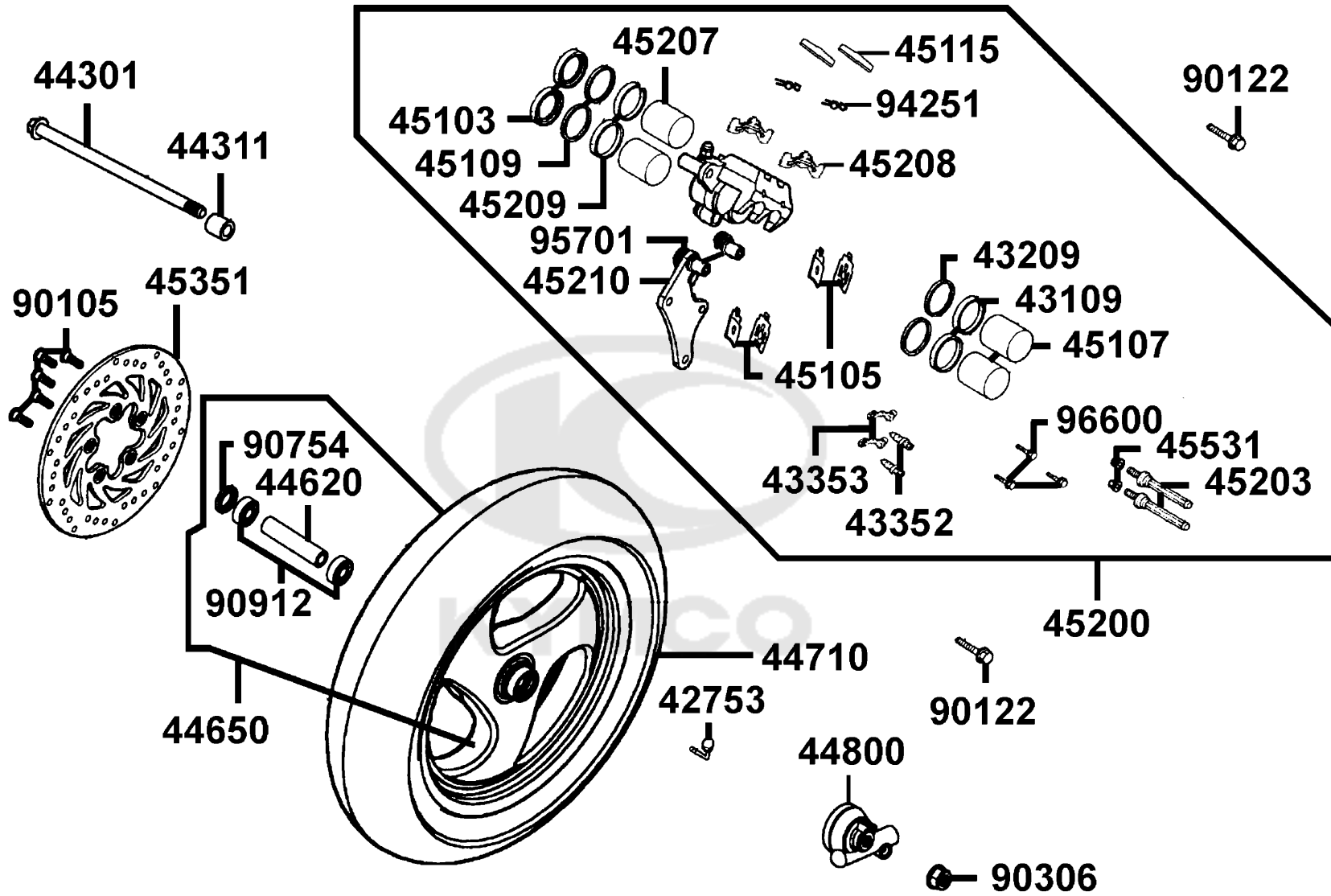
Front Cushion



Sales mark	Ref no	Part no	Description	Reg description	Regd no	F06
	45156	45156-KECE-900	CLAMPER FR BRK CABLE	CLAMPER FR BRK CABLE	1	
	50306	50306-1F96-001	NUT STRG STEM LOCK	NUT STRG STEM LOCK	1	
**	51400	51400-KKC4-900	FORK ASSY R FR	FORK ASSY R FR	1	
**	5150A	5150A-KKC4-900	FORK SET L FR	FORK SET L FR	1	
	53200	53200-KKC2-900	STEM COMP STRG	STEM COMP STRG	1	
	53211	53211-GFY6-940	RACE STRG TOP CONE	RACE STRG TOP CONE	1	
	53212	53212-2L50-011	RACE (STRG BOTTOM) CONE	RACE (STRG BOTTOM) CONE	1	
	53214	53214-2L50-001	DUST SEAL STRG	DUST SEAL STRG	1	
	53215	53215-2L50-001	WASHER STRG HEAD DUST	WASHER STRG HEAD DUST	1	
**	61110	61110-KHD8-900	FENDER FR	FENDER FR	1	
	90110	90110-KEB7-900	SCREW SPECIAL 6*14	SCREW SPECIAL 6*14	4	
	95701	95701-06012-08	BOLT FLANGE 6*12	BOLT FLANGE 6*12	1	
	95801	95801-08040-08	BOLT FLANGE 8*40	BOLT FLANGE 8*40	4	
	96211-05000	96211-05000	BALL STEEL #5	BALL STEEL #5	26	
	96211-08000	96211-08000	BALL STEEL #8	BALL STEEL #8	19	

F07

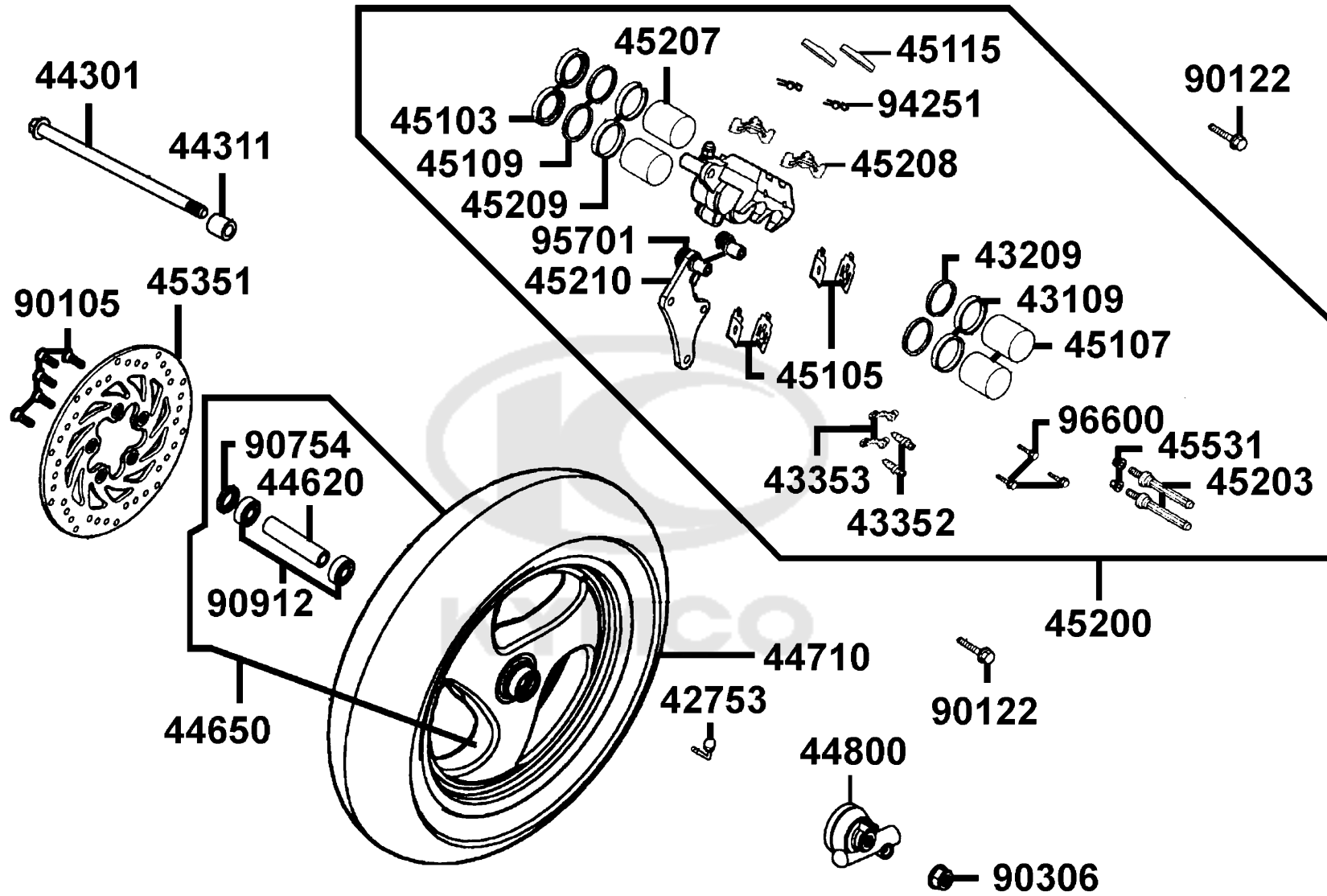
Front Wheel



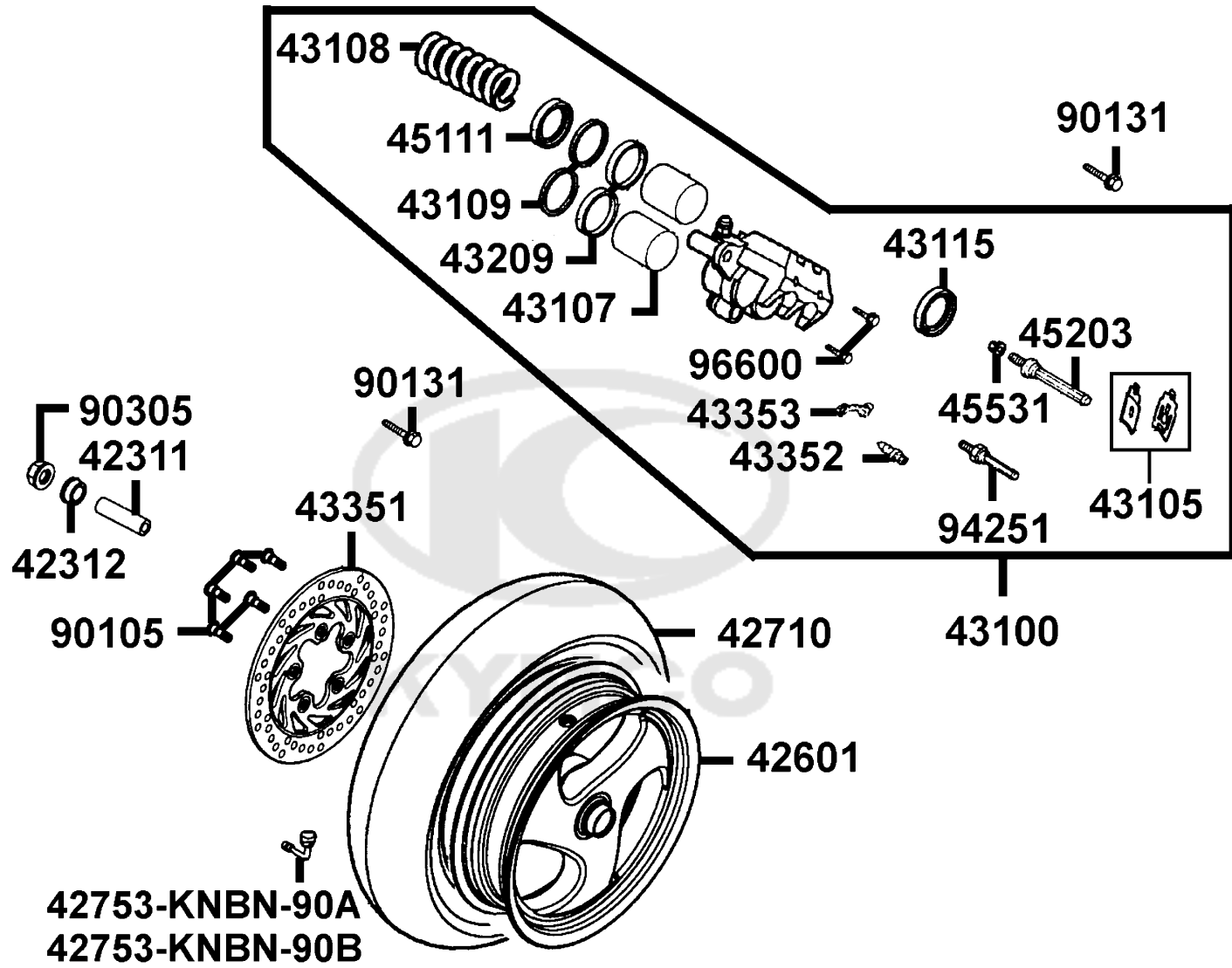
Sales mark	Ref no	Part no	Description	Reg description	Regd no	F07
	42753	42753-KXCX-900	VALVE RIM PVR 70B	VALVE RIM PVR 70B	1	
	43109	43109-MCA3-007	SEAL PISTON	SEAL PISTON	2	
	43209	43209-MCA3-007	SEAL PISTON	SEAL PISTON	2	
	43352	43352-5H68-004	SCREW BLEEDER	SCREW BLEEDER	2	
	43353	43353-4A61-77A	CAP BLEEDER	CAP BLEEDER	2	
	44301	44301-KXCX-900	AXLE FR WHEEL	AXLE FR WHEEL	1	
	44311	44311-KEBE-900	COLLAR FR WHEEL SIDE	COLLAR FR WHEEL SIDE	1	
	44620	44620-KHD8-900	COLLAR FR AXLE DISTANCE	COLLAR FR AXLE DISTANCE	1	
**	44650	44650-KHD8-30A	WHEEL SET FR	WHEEL SET FR	1	
	44710	44710-KKC4-900	TIRE ASSY FR /CHENG SHIN	TIRE ASSY FR /CHENG SHIN	1	
	44800	44800-KFA5-900	GEAR BOX ASSY	GEAR BOX ASSY	1	
	45103	45103-MGR7-007	SEAL JOINT	SEAL JOINT	2	
	45105	45105-KKC4-305	PAD COMP	PAD COMP	2	
	45107	45107-KKC4-900	PISTON	PISTON	2	
	45109	45109-KKC4-900	DUST SEAL	DUST SEAL	2	
	45115	45115-KKC4-900	COVER DUST	COVER DUST	2	
**	45200	45200-KKC4-900	CALIPER ASSY FR	CALIPER ASSY FR	1	
	45203	45203-KKC4-900	PIN HANGER	PIN HANGER	2	
	45207	45207-KKC4-900	PISTON	PISTON	2	
	45208	45208-KKC4-900	SPRING PAD	SPRING PAD	2	

F07

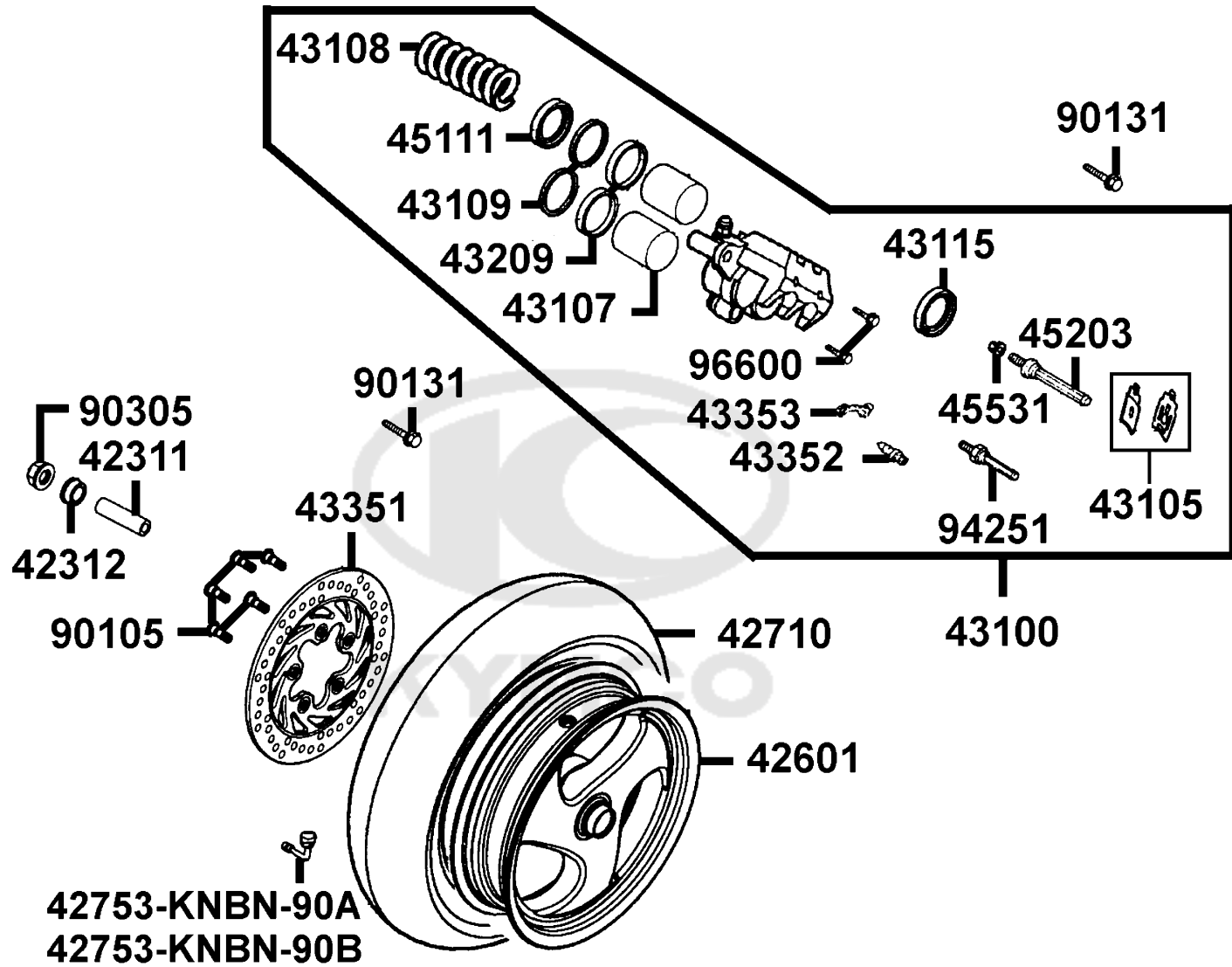
Front Wheel



Sales mark	Ref no	Part no	Description	Reg description	Regd no	F07
45209		45209-KFA6-900	SEAL PISTON	SEAL PISTON	2	
45210		45210-KKC4-900	BRACKET FR	BRACKET FR	1	
45351		45351-KHE7-E00	DISK RR BRAKE	DISK RR BRAKE	1	
45531		45531-GAR1-951	PLUG	PLUG	2	
90105		90105-KCR3-001	BOLT FR DISK 8*24	BOLT FR DISK 8*24	5	
90122		90122-KEBE-900	BOLT FLANGE 8X32	BOLT FLANGE 8X32	2	
90306		90306-GLW0-90A	NUT FLANGE 12MM	NUT FLANGE 12MM	1	
90754		90754-GHC8-00A	SEAL DUST 20*32*5	SEAL DUST 20*32*5	1	
90912		90912-KFLF-00A	BEARING 6201 LLU	BEARING 6201 LLU	2	
90912		90912-KFLF-00D	BEARING 6201 LLU	BEARING 6201 LLU	2	
94251		94251-08400	PIN LOCK 8MM	PIN LOCK 8MM	2	
95701		95701-08020-08	BOLT FLANGE 8*20	BOLT FLANGE 8*20	2	
96600		96600-KKC4-900	SOCKET BOLT	SOCKET BOLT	3	



Sales mark	Ref no	Part no	Description	Reg description	Regd no	F08
	42311	42311-KHE7-E00	COLLAR RR AXLE A	COLLAR RR AXLE A	1	
	42312	42312-KHE7-E00	COLLAR RR AXLE SIDE	COLLAR RR AXLE SIDE	1	
**	42601	42601-KHE7-E00	WHEEL RR CAST	WHEEL RR CAST	1	
	42710	42710-KKC4-900	TIRE ASSY RR /CHENG SHIN	TIRE ASSY RR /CHENG SHIN	1	
	42753-KNBN-90A	42753-KNBN-90A	VALVE (TR 412)	VALVE (TR 412)	1	
	42753-KNBN-90B	42753-KNBN-90B	VALVE RIM (TR412)	VALVE RIM (TR412)	1	
**	43100	43100-KKC4-900	CALIPER ASSY RR	CALIPER ASSY RR	1	
	43105	43105-KKC4-305	PAD SET	PAD SET	1	
	43107	43107-KKC4-900	PISTON	PISTON	2	
	43108	43108-KKC4-900	SPRING PAD	SPRING PAD	1	
	43109	43109-KKC4-900	DUST SEAL	DUST SEAL	2	
	43115	43115-KKC4-900	COVER DUST	COVER DUST	1	
	43209	43209-KKC4-900	SEAL PISTON	SEAL PISTON	2	
**	43351	43351-KHE7-E00	DISK RR BRAKE	DISK RR BRAKE	1	
	43352	43352-5H68-004	SCREW BLEEDER	SCREW BLEEDER	1	
	43353	43353-4A61-77A	CAP BLEEDER	CAP BLEEDER	1	
	45111	45111-KKC4-900	SEAL	SEAL	1	
	45203	45203-KKC4-900	PIN HANGER	PIN HANGER	1	
	45531	45531-GAR1-951	PLUG	PLUG	1	
	90105	90105-KCR3-001	BOLT FR DISK 8*24	BOLT FR DISK 8*24	5	



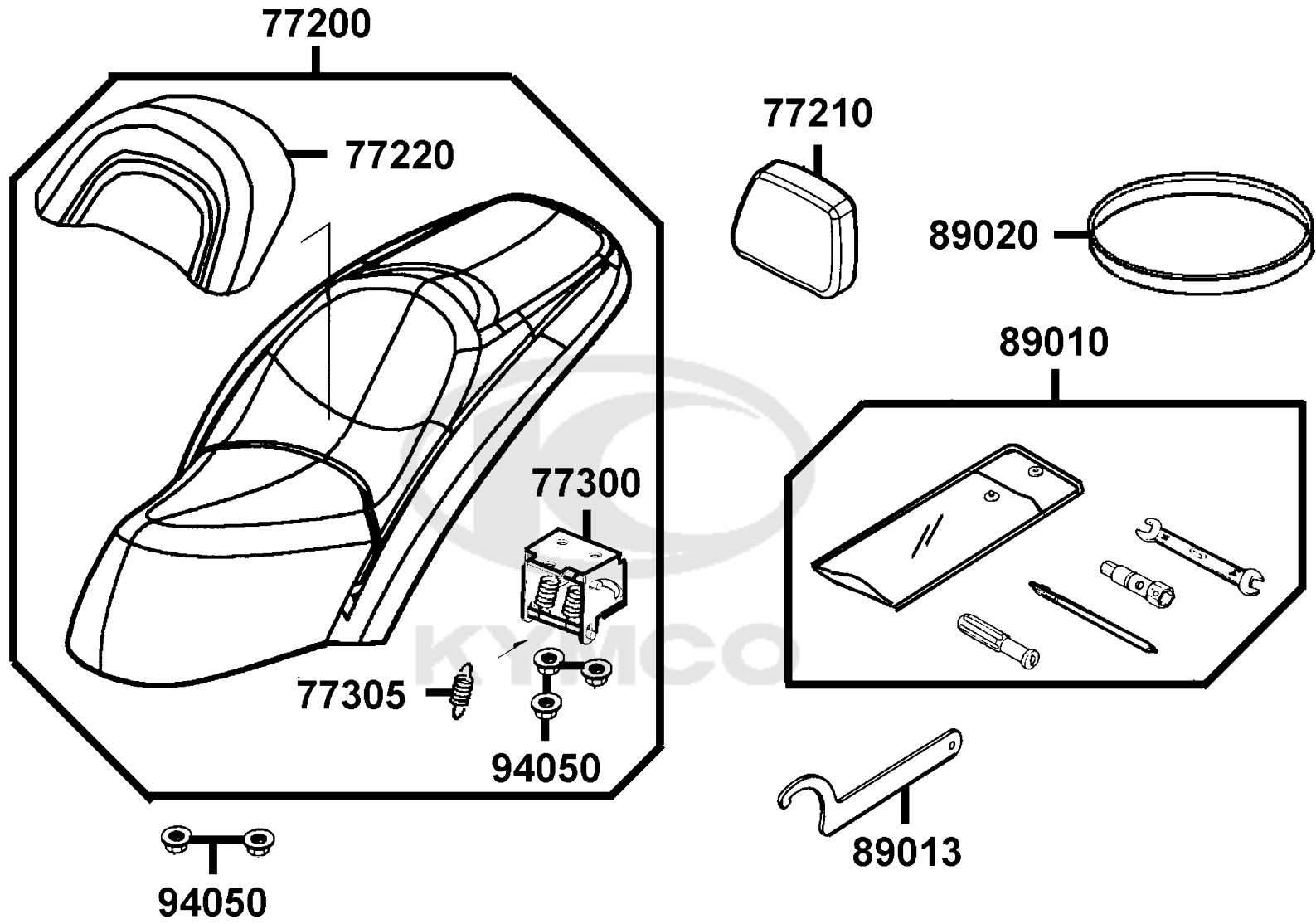
Sales mark	Ref no	Part no	Description	Reg description	Regd no	F08
------------	--------	---------	-------------	-----------------	---------	------------

90131	90131-GLW0-911	90131-GLW0-911	BOLT FLANGE 8*35	BOLT FLANGE 8*35	2	
90305	90305-KFW6-900	90305-KFW6-900	NUT U FLANGE 16MM (B)	NUT U FLANGE 16MM (B)	1	
94251	94251-08400	94251-08400	PIN LOCK 8MM	PIN LOCK 8MM	1	
96600	96600-KKC4-900	96600-KKC4-900	SOCKET BOLT	SOCKET BOLT	2	



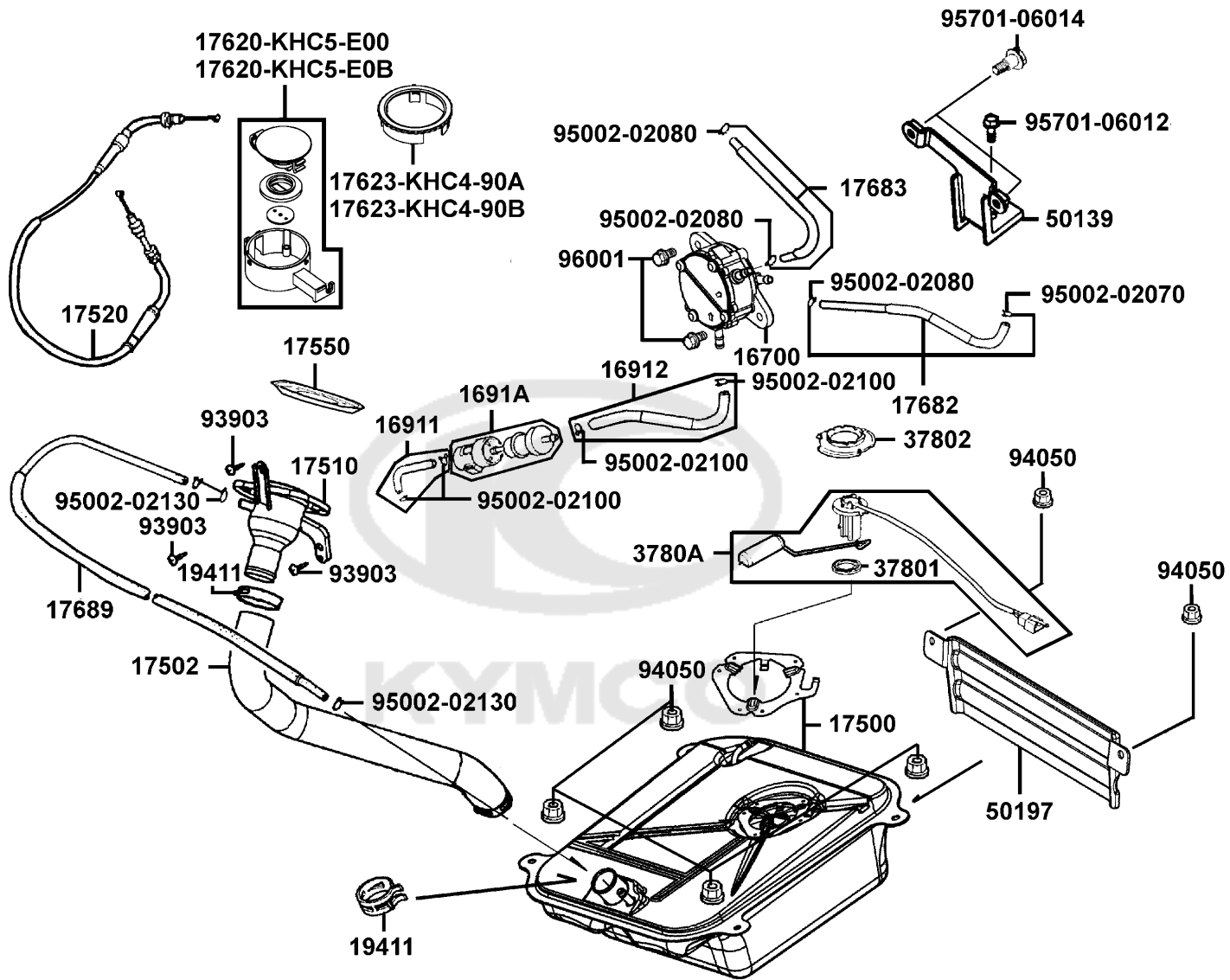
F09

Seat

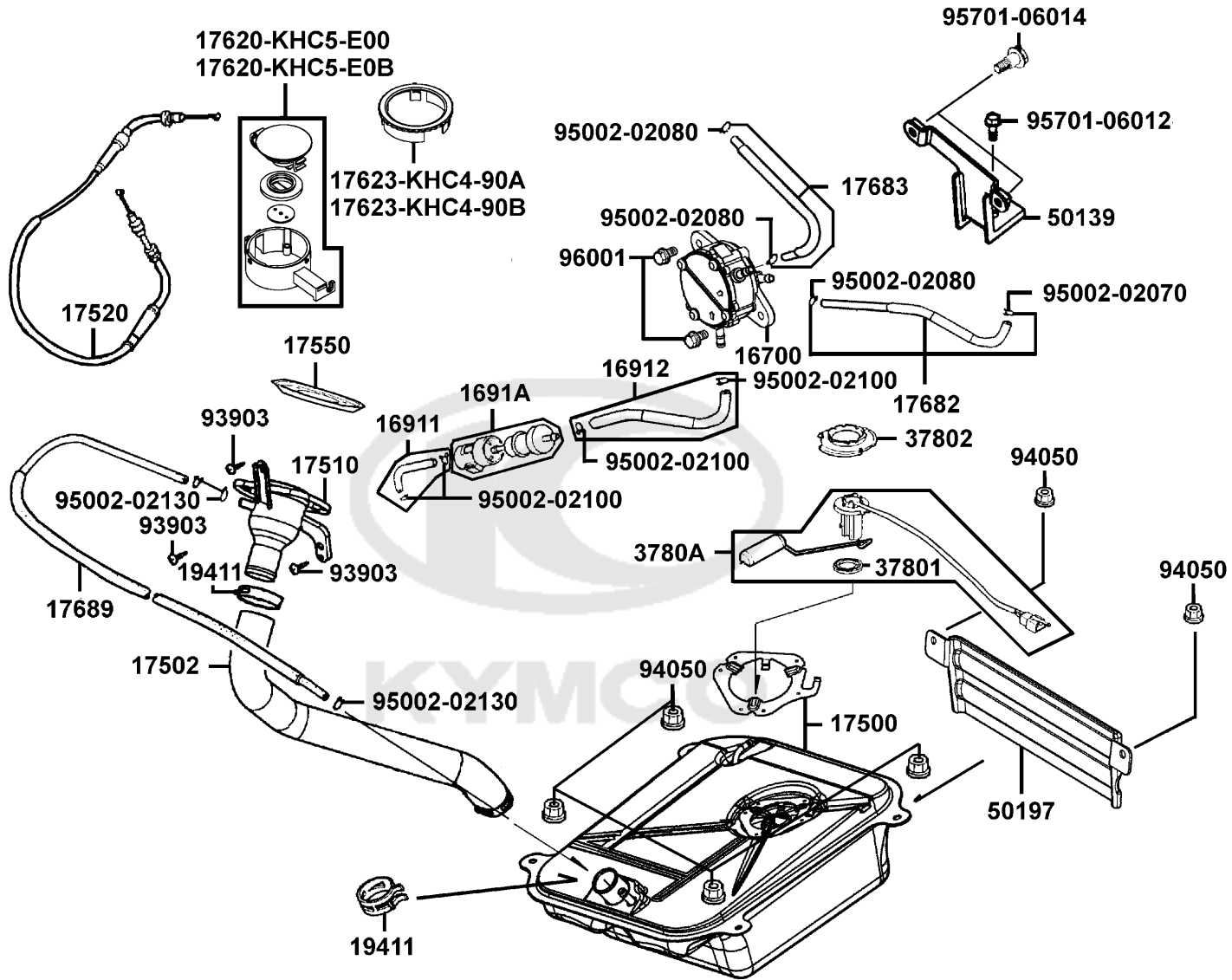


Sales mark	Ref no	Part no	Description	Reg description	Regd no	F09
**	77200	77200-KKC4-E01	SEAT ASSY	SEAT ASSY	1	
**	77210	77210-KKC4-900	SEAT ASSY BACK	SEAT ASSY BACK	1	
**	77220	77220-KKC4-910	SEAT ASSY PAD	SEAT ASSY PAD	1	
	77300	77300-KKC4-900	HINGE ASSY SEAT	HINGE ASSY SEAT	1	
	77305	77305-KKC4-900	SPRING HINGE	SPRING HINGE	2	
	89010	89010-KKC4-900	TOOL SET	TOOL SET	1	
	89013	89013-KFC8-E00	ADJUSTER REAR CUSHION	ADJUSTER REAR CUSHION	1	
	89020	89020-KKC4-900	BAND TOOL SET	BAND TOOL SET	1	
	94050	94050-06080	NUT FLANGE 6MM	NUT FLANGE 6MM	5	

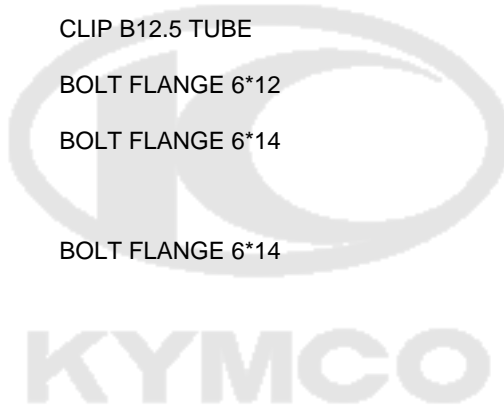




Sales mark	Ref no	Part no	Description	Reg description	Regd no	F10
16700		16700-KHE7-900	FUEL PUMP ASSY	FUEL PUMP ASSY	1	
16911		16911-KKC4-900	TUBE ASSY TANK TO STRAINER	TUBE ASSY TANK TO STRAINER	1	
16912		16912-KKC4-900	TUBE ASSY STRAINER TO FUEL PUMP	TUBE ASSY STRAINER TO FUEL PUMP	1	
1691A		1691A-KEC2-E00	STRAINER ASSY FUEL	STRAINER ASSY FUEL	1	
17500		17500-KKC4-900	TANK COMP FUEL	TANK COMP FUEL	1	
17502		17502-KKC4-900	TUBE FUEL	TUBE FUEL	1	
17510		17510-KKC4-900	PIPE ASSY FUEL FILLER	PIPE ASSY FUEL FILLER	1	
17520		17520-KKC4-900	CABLE COMP FUEL CAP	CABLE COMP FUEL CAP	1	
17550		17550-KHC4-900	TRAY FUEL CAP	TRAY FUEL CAP	1	
17620-KHC5-E00		17620-KHC5-E00	CAP COMP FUEL FILLER	CAP COMP FUEL FILLER	1	
17620-KHC5-E0B		17620-KHC5-E0B	CAP COMP FUEL FILLER	CAP COMP FUEL FILLER	1	
17623-KHC4-90A		17623-KHC4-90A	COLLAR FUEL CAP	COLLAR FUEL CAP	1	
17623-KHC4-90B		17623-KHC4-90B	COLLAR FUEL CAP	COLLAR FUEL CAP	1	
17682		17682-KKC4-900	TUBE ASSY FUEL VACUUM	TUBE ASSY FUEL VACUUM	1	
17683		17683-KKC4-900	TUBE ASSY FUEL	TUBE ASSY FUEL	1	
17689		17689-KEBE-900	TUBE ASSY TANK-FILLER	TUBE ASSY TANK-FILLER	1	
19411		19411-KBCB-900	CLIP HOSE	CLIP HOSE	2	
37801		37801-GGA7-701	PACKING BASE	PACKING BASE	1	
37802		37802-GGA7-701	RET FUEL UNIT	RET FUEL UNIT	1	
3780A		3780A-KKC4-900	FUEL UNIT ASSY	FUEL UNIT ASSY	1	

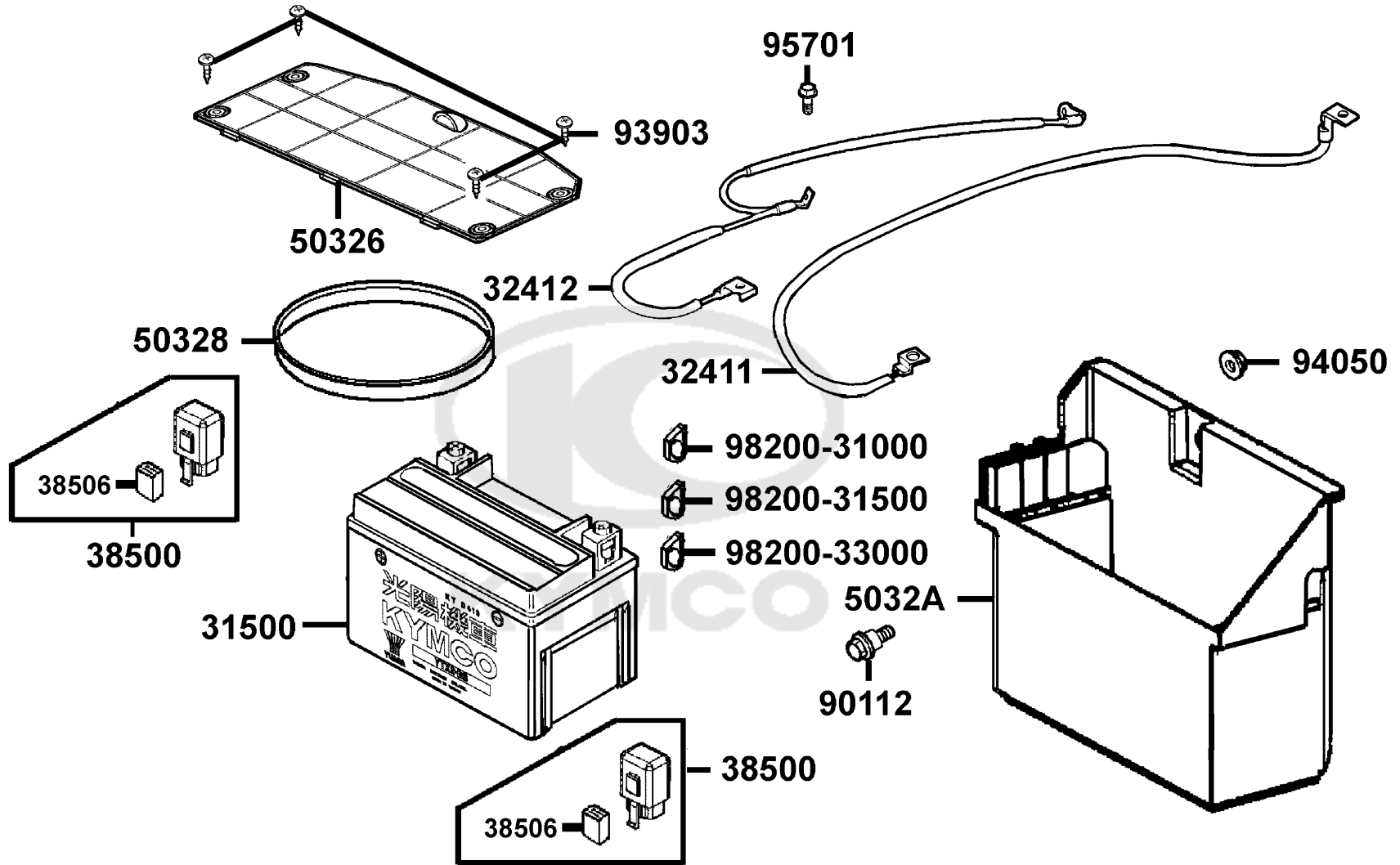


Sales mark	Ref no	Part no	Description	Reg description	Regd no	F10
50139		50139-KKC4-800	BRKT FUEL PUMP	BRKT FUEL PUMP	1	
50197		50197-KKC4-900	STAY FLOOR	STAY FLOOR	1	
93903		93903-35220	SCREW TAPPING 5*12	SCREW TAPPING 5*12	3	
94050		94050-06080	NUT FLANGE 6MM	NUT FLANGE 6MM	6	
95002-02070		95002-02070	CLIP B7 PORT TUBE	CLIP B7 PORT TUBE	1	
95002-02080		95002-02080	CLIP B8 CHAMBER TUBE	CLIP B8 CHAMBER TUBE	3	
95002-02100		95002-02100	CLIP B10 TUBE	CLIP B10 TUBE	4	
95002-02130		95002-02130	CLIP B12.5 TUBE	CLIP B12.5 TUBE	3	
95701-06012		95701-06012-08	BOLT FLANGE 6*12	BOLT FLANGE 6*12	1	
95701-06014		95701-06014-08	BOLT FLANGE 6*14	BOLT FLANGE 6*14	2	
96001		96001-06014-08	BOLT FLANGE 6*14	BOLT FLANGE 6*14	2	

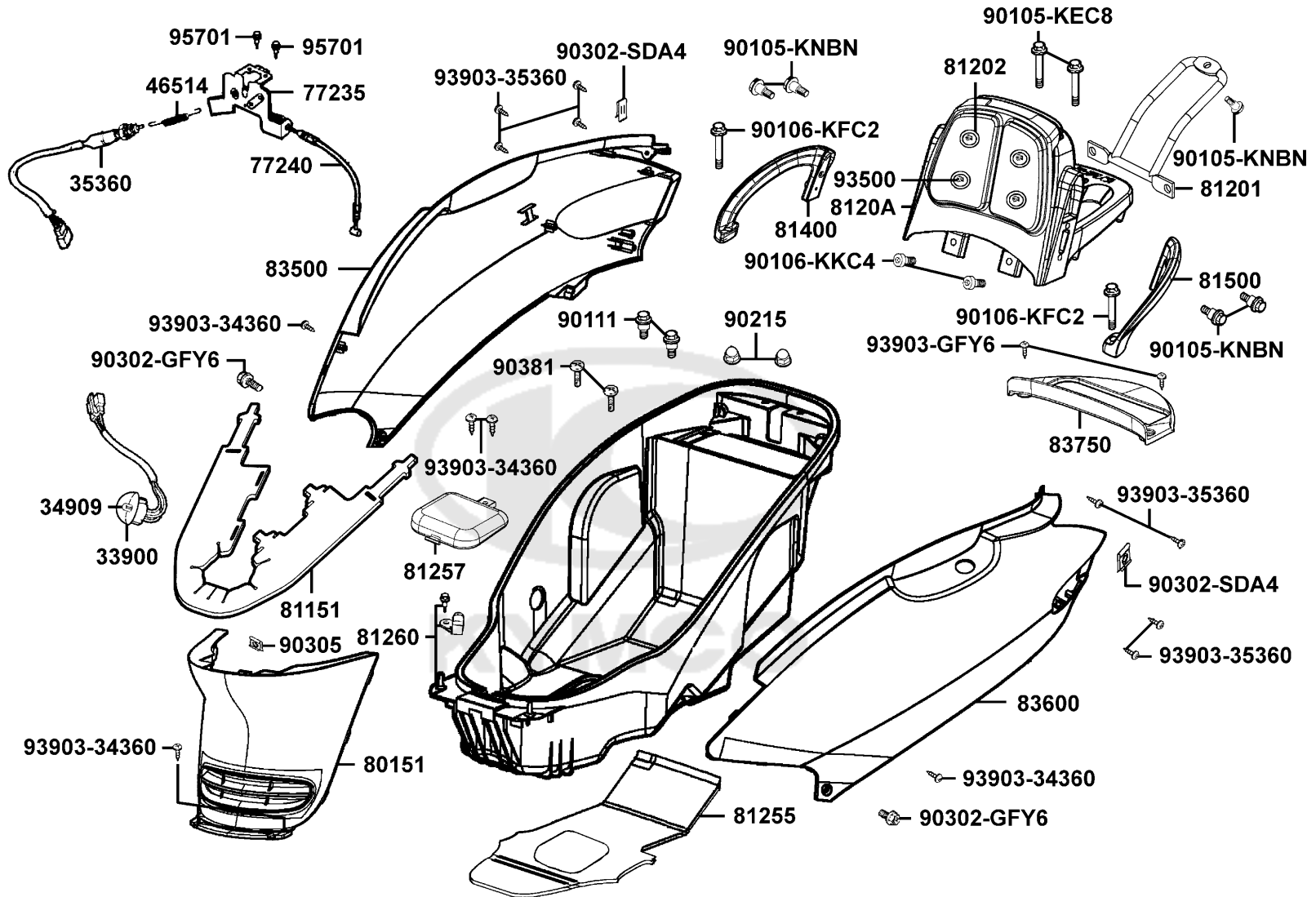


F11

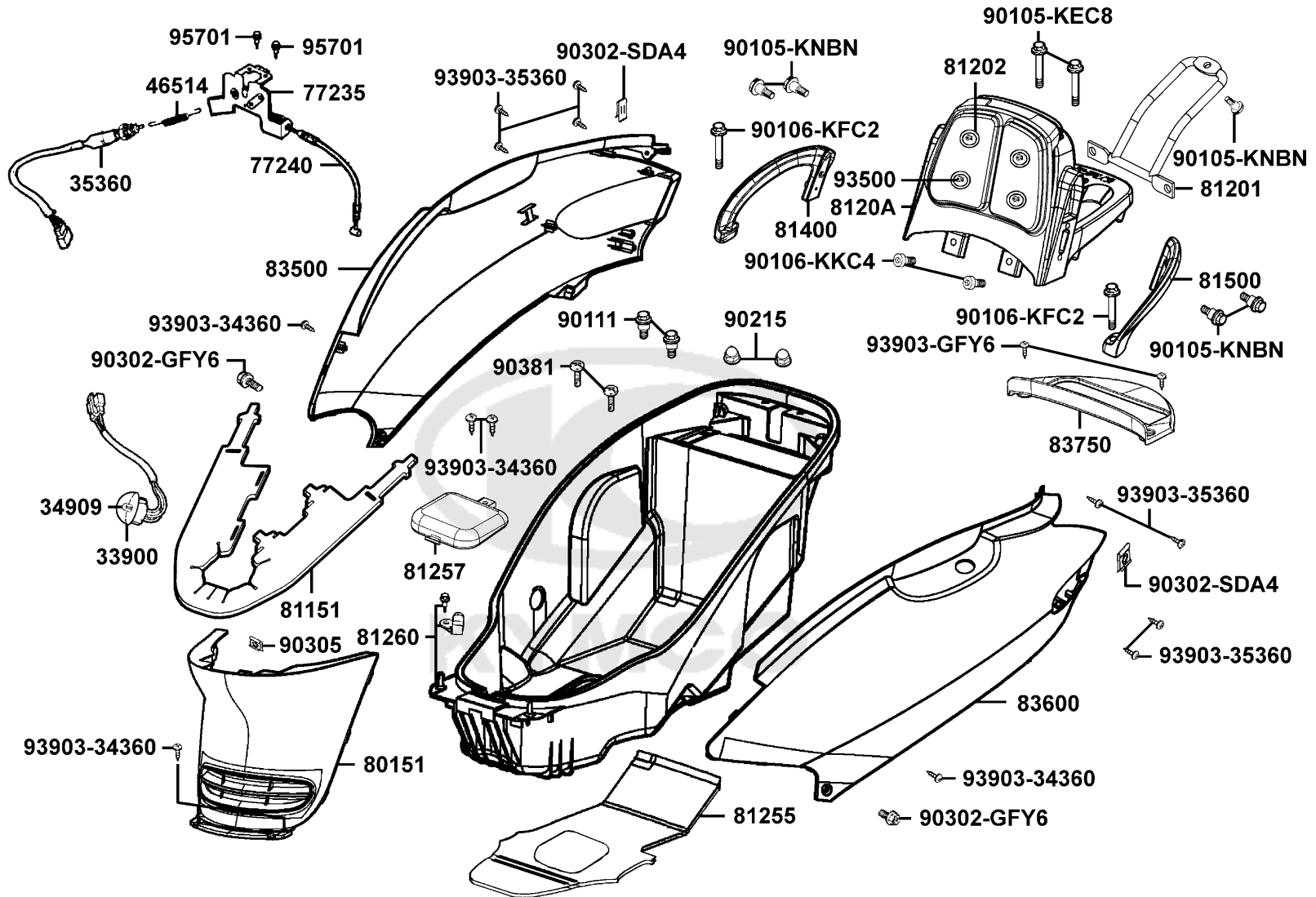
Battery



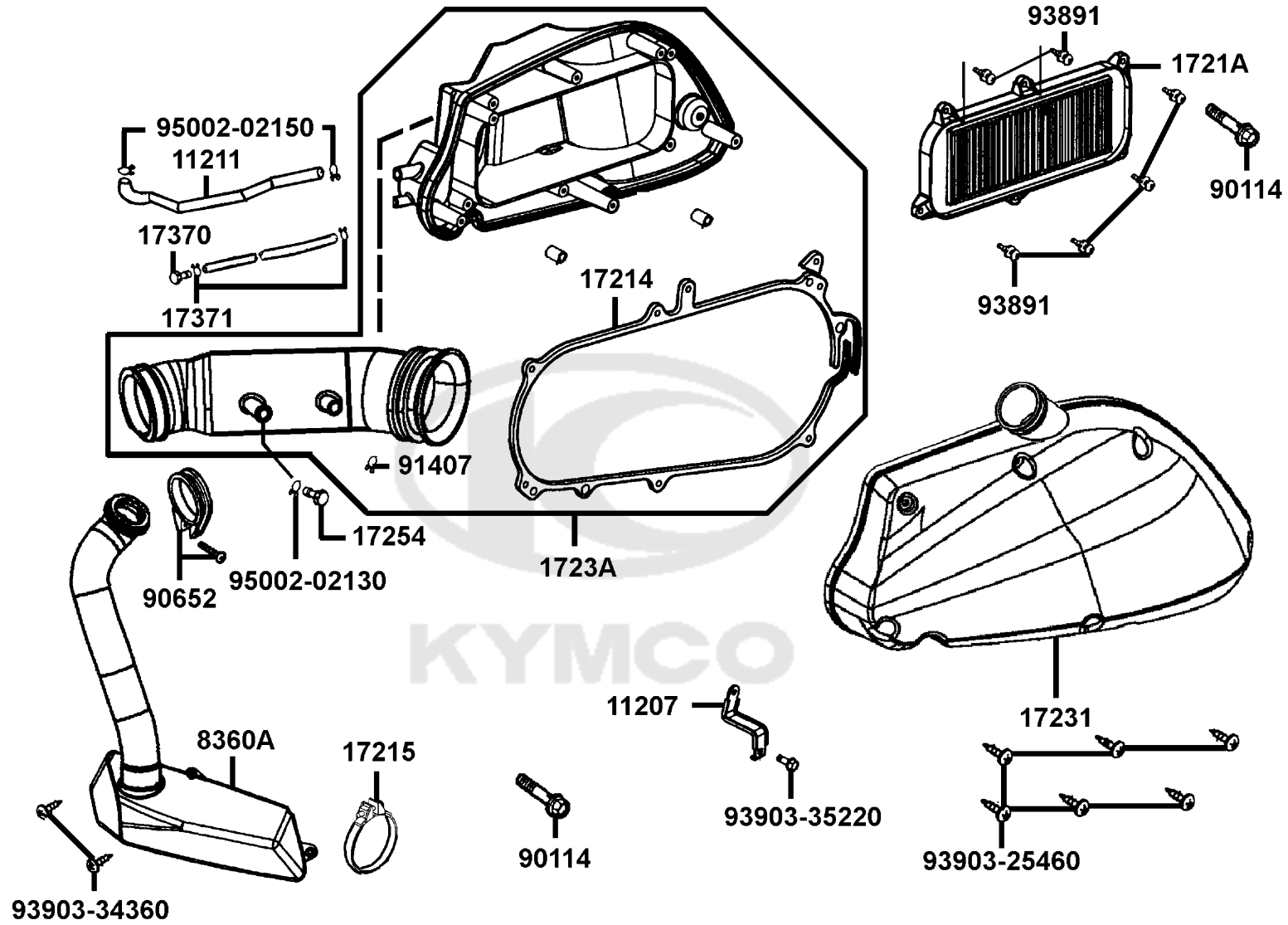
Sales mark	Ref no	Part no	Description	Reg description	Regd no	F11
	31500	31500-KHE7-90A	BATTERY YTX12-BS	BATTERY YTX12-BS	1	
	31500	31500-KHE7-90B	BATTERY GTX12-BS	BATTERY GTX12-BS	1	
	32411	32411-KKC4-900	CABLE BATTERY	CABLE BATTERY	1	
	32412	32412-KKC4-900	CABLE EARTH	CABLE EARTH	1	
	38500	38500-LGL3-90A	RELAY ASSY LIGHT/D402	RELAY ASSY LIGHT/D402	1	
	38500	38500-LGL3-90D	RELAY COMP. START	RELAY COMP. START	1	
	38506	38506-KHD8-900	CUSHION START RELAY	CUSHION START RELAY	2	
**	50326	50326-KKC4-900	COVER BATTERY	COVER BATTERY	1	
	50328	50328-KNBN-200	BAND BATTERY	BAND BATTERY	1	
	5032A	5032A-KKC4-900	CASE ASSY BATTERY	CASE ASSY BATTERY	1	
	90112	90112-KNBN-901	BOLT FLANGE 6MM	BOLT FLANGE 6MM	1	
	93903	93903-GFY6-900	SCREW TAPP 4*14	SCREW TAPP 4*14	4	
	94050	94050-06080	NUT FLANGE 6MM	NUT FLANGE 6MM	1	
	95701	95701-06012-08	BOLT FLANGE 6*12	BOLT FLANGE 6*12	1	
	98200-31000	98200-31000	BLADE FUSE 10A	BLADE FUSE 10A	1	
	98200-31500	98200-31500	BLADE FUSE 15A	BLADE FUSE 15A	1	
	98200-33000	98200-33000	BLADE FUSE 30A	BLADE FUSE 30A	1	



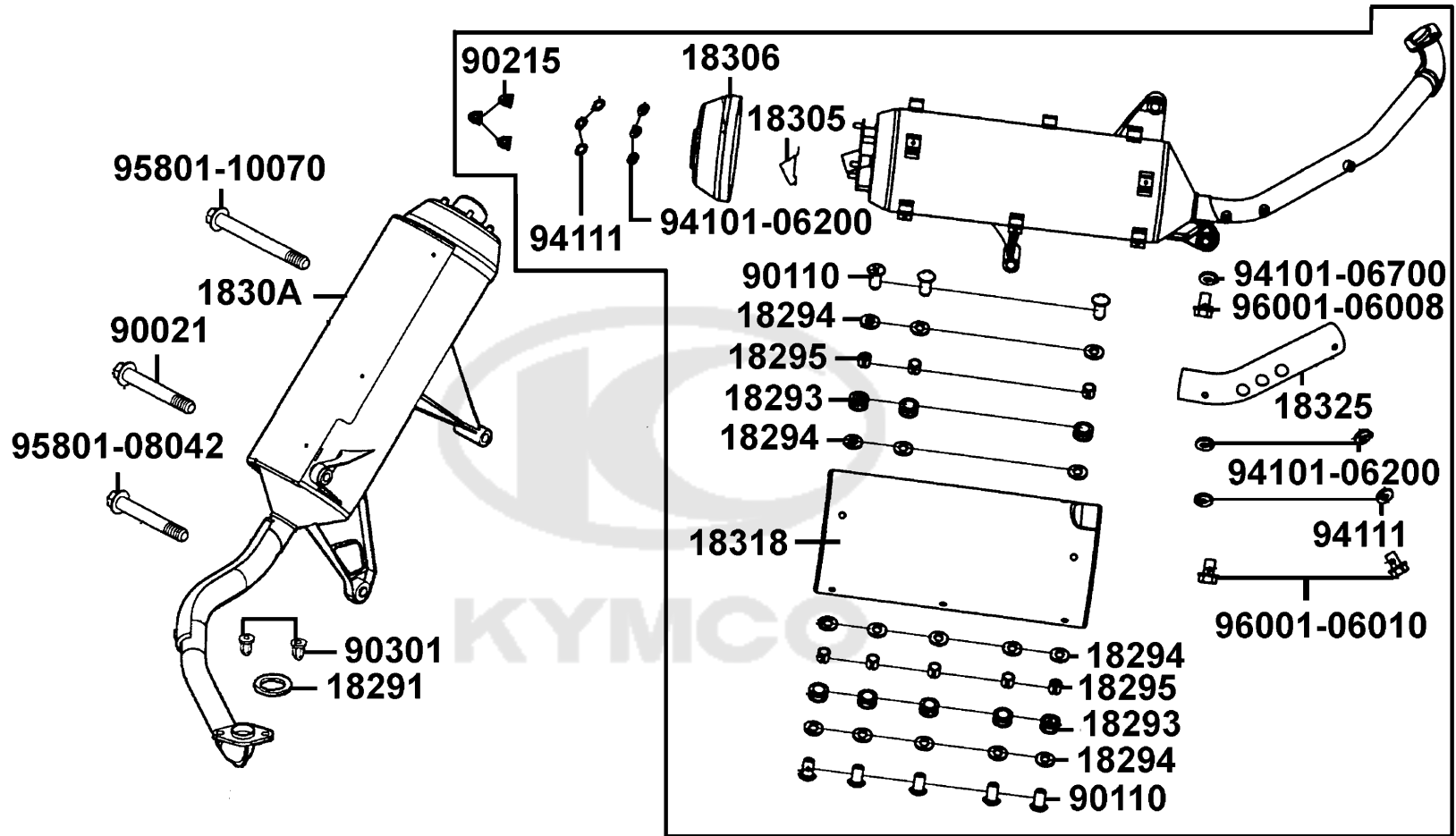
Sales mark	Ref no	Part no	Description	Reg description	Regd no	F12
	33900	33900-KFBF-900	LIGHT ASSY LUGGAGE BOX	LIGHT ASSY LUGGAGE BOX	1	
	34909	34909-KFBF-900	BULB WEDGE BASE	BULB WEDGE BASE	1	
	35360	35360-KFBF-900	SW UNIT LUGGAGE BOX LIGHT	SW UNIT LUGGAGE BOX LIGHT	1	
	46514	46514-KFBF-900	SPRING STOP SWITCH	SPRING STOP SWITCH	1	
	77235	77235-KKC4-900	CATCH COMP SEAT	CATCH COMP SEAT	1	
	77240	77240-KKC4-900	CABLE COMP SEAT LOCK	CABLE COMP SEAT LOCK	1	
**	80151	80151-KKC4-900	COVER CENTER	COVER CENTER	1	
	81151	81151-KKC4-900	PLATE HEAT GUARD	PLATE HEAT GUARD	1	
	81201	81201-KKC4-900	POWER BAR RR CARRIER	POWER BAR RR CARRIER	1	
	81202	81202-KKC4-900	UNBRELLALIKE CLASP	UNBRELLALIKE CLASP	4	
**	8120A	8120A-KKC4-900	CARRIER ASSY RR	CARRIER ASSY RR	1	
	81255	81255-KKC4-900	BAG LUGGAGE	BAG LUGGAGE	1	
	81257	81257-KKC4-800	COVER CABB MAINT	COVER CABB MAINT	1	
	81260	81260-KKC4-900	BOX ASSY LUGGAGE	BOX ASSY LUGGAGE	1	
**	81400	81400-KKC4-900	SIDE R GRIP	SIDE R GRIP	1	
**	81500	81500-KKC4-900	SIDE L GRIP	SIDE L GRIP	1	
**	83500	83500-KKC4-900	COVER R BODY	COVER R BODY	1	
**	83600	83600-KKC4-900	COVER L BODY	COVER L BODY	1	
**	83750	83750-KKC4-900	COVER RR CENTER	COVER RR CENTER	1	
	90105-KEC8	90105-KEC8-900	BOLT WASHER 8MM	BOLT WASHER 8MM	2	



Sales mark	Ref no	Part no	Description	Reg description	Regd no	F12
90105-KNBN		90105-KNBN-901	BOLT SPECIAL 8MM	BOLT SPECIAL 8MM	4	
90106-KFC2		90106-KFC2-900	BOLT WASH 8MM	BOLT WASH 8MM	2	
90106-KKC4		90106-KKC4-900	BOLT WASH 8MM	BOLT WASH 8MM	2	
90111		90111-1G87-001	BOLT FLANGE 6*14	BOLT FLANGE 6*14	2	
90215		90215-KKC4-900	NUT CAP 6MM	NUT CAP 6MM	2	
90302-GFY6		90302-GFY6-940	BOLT WASHER 5*16	BOLT WASHER 5*16	2	
90302-SDA4		90302-SDA4-004	NUT SPRING 4MM	NUT SPRING 4MM	2	
90305		90305-GHK8-001	NUT CLIP 6MM	NUT CLIP 6MM	1	
90381		90381-GEZ5-001	SCREW SPECIAL 6*17	SCREW SPECIAL 6*17	2	
93500		93500-04012-0H	SCREW 4*12	SCREW 4*12	4	
93903-34360		93903-34360	SCREW TAPPING 4*12	SCREW TAPPING 4*12	6	
93903-35360		93903-35360	SCREW TAPPING 5*16	SCREW TAPPING 5*16	8	
93903-GFY6		93903-GFY6-900	SCREW TAPP 4*14	SCREW TAPP 4*14	2	
95701		95701-06012-08	BOLT FLANGE 6*12	BOLT FLANGE 6*12	2	



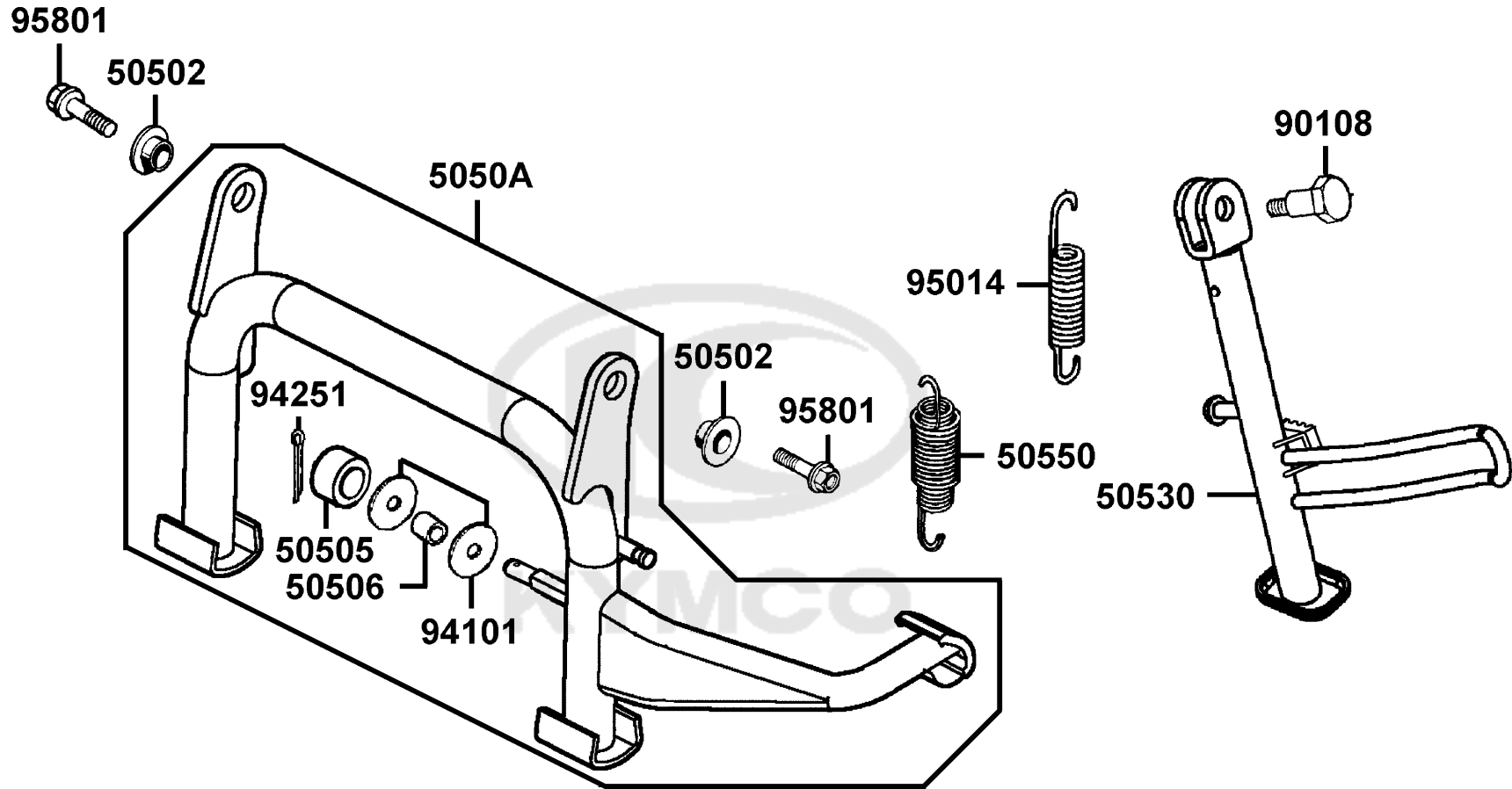
Sales mark	Ref no	Part no	Description	Reg description	Regd no	F13
11207		11207-KKC4-900	STAY RR FENDER	STAY RR FENDER	1	
11211		11211-KKC4-900	TUBE BREATHER	TUBE BREATHER	1	
17214		17214-KKC3-900	SEAL AIR/C COVER	SEAL AIR/C COVER	1	
17215		17215-KGBG-90A	CLIP ASSY AIR/C DUCT	CLIP ASSY AIR/C DUCT	1	
1721A		1721A-KKC3-900	ELEMENT ASSY AIR/C	ELEMENT ASSY AIR/C	1	
17231		17231-KKC3-900	COVER COMP AIR/C	COVER COMP AIR/C	1	
1723A		1723A-KKC4-E00	CASE ASSY AIR/C	CASE ASSY AIR/C	1	
17254		17254-KACA-P00	PLUG AIR/C CONN TUBE	PLUG AIR/C CONN TUBE	1	
17370		17370-4K19-701	PLUG BREATHER TUBE	PLUG BREATHER TUBE	1	
17371		17371-1D74-671	CLIP BREATHER TUBE	CLIP BREATHER TUBE	2	
8360A		8360A-KKC4-900	CHAMBER ASSY AIR/C	CHAMBER ASSY AIR/C	1	
90114		90114-GDM4-011	BOLT FLANGE SH 6*28	BOLT FLANGE SH 6*28	2	
90652		90652-KHE7-900	BAND CONNECTING TUBE	BAND CONNECTING TUBE	1	
91407		91407-SGA7-004	CLAMP 17.0 FUEL HOSE	CLAMP 17.0 FUEL HOSE	1	
93891		93891-05016-08	SCREW WASHER 5*16	SCREW WASHER 5*16	6	
93903-25460		93903-25460	SCREW TAPPING 5*20	SCREW TAPPING 5*20	6	
93903-34360		93903-34360	SCREW TAPPING 4*12	SCREW TAPPING 4*12	2	
93903-35220		93903-35220	SCREW TAPPING 5*12	SCREW TAPPING 5*12	1	
95002-02130		95002-02130	CLIP B12.5 TUBE	CLIP B12.5 TUBE	1	
95002-02150		95002-02150	CLIP B14.5 TUBE	CLIP B14.5 TUBE	2	



Sales mark	Ref no	Part no	Description	Reg description	Regd no	F14
	18291	18291-LBA7-900	GASKET EXH PIPE	GASKET EXH PIPE	1	
	18293	18293-KECE-900	RUBBER A PROTECTOR	RUBBER A PROTECTOR	8	
	18294	18294-KEBE-900	PACKING PROTECTOR	PACKING PROTECTOR	16	
	18295	18295-KECE-900	COLLAR 6MM	COLLAR 6MM	8	
	18305	18305-KHD8-900	PROTECTOR TAIL PIPE	PROTECTOR TAIL PIPE	1	
	18306	18306-KHE7-900	TAIL CAP MUFFLER	TAIL CAP MUFFLER	1	
	1830A	1830A-KHE7-EZ0	MUFFLER ASSY EXH	MUFFLER ASSY EXH	1	
	18318	18318-KHE7-E00	PROTECTOR MUFFLER	PROTECTOR MUFFLER	1	
	18325	18325-KHE7-900	PROTECTOR EXH PIPE	PROTECTOR EXH PIPE	1	
	90021	90021-GFY6-900	BOLT WASHER COMP 8*42	BOLT WASHER COMP 8*42	1	
	90110	90110-KHD8-900	SCREW SPECIAL 6*20	SCREW SPECIAL 6*20	8	
	90215	90215-GLM0-910	NUT CAP 6MM	NUT CAP 6MM	3	
	90301	90301-GFY6-901	NUT (HEX) CAP 8MM	NUT (HEX) CAP 8MM	2	
	94101	94101-06700	WASHER PLAIN 6MM	WASHER PLAIN 6MM	6	
	94111	94111-06800	WASHER SPRING 6MM	WASHER SPRING 6MM	5	
	95801-08042	95801-08042-06	BOLT FLANGE 8*42	BOLT FLANGE 8*42	1	
	95801-10070	95801-10070-06	BOLT FLANGE 10*70	BOLT FLANGE 10*70	1	
	96001-06008	96001-06008-07	BOLT FLANGE 6*8	BOLT FLANGE 6*8	1	
	96001-06010	96001-06010-08	BOLT FLANGE SH 6*10	BOLT FLANGE SH 6*10	2	

F15

StandKick Starter Arm

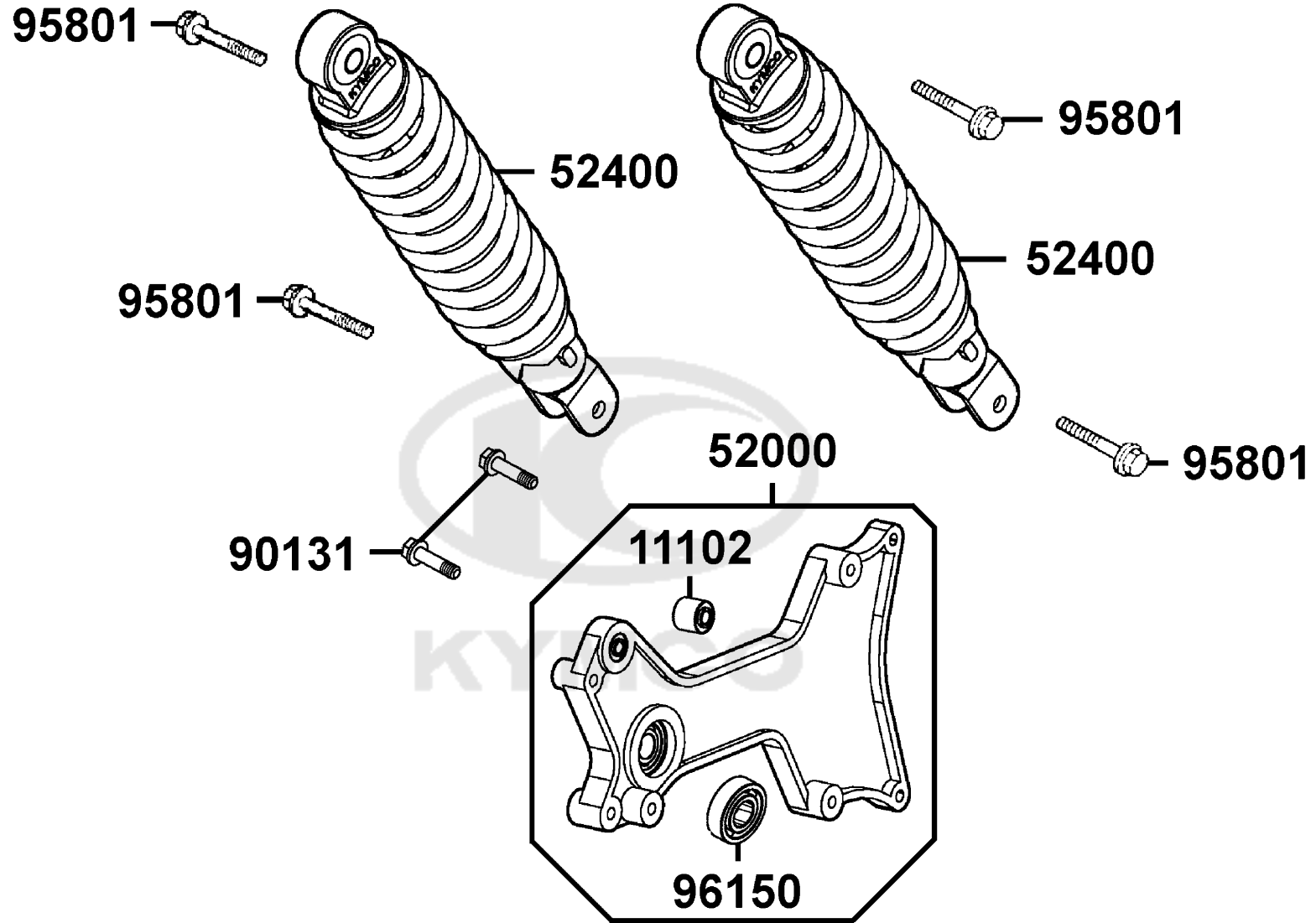


Sales mark	Ref no	Part no	Description	Reg description	Regd no	F15
50502		50502-GFY6-901	COLLAR MAIN STAND	COLLAR MAIN STAND	2	
50505		50505-KHE7-E00	RUBBER STOPPER MAIN	RUBBER STOPPER MAIN	1	
50506		50506-KHE7-E00	COLLAR STOPPER RUBBER	COLLAR STOPPER RUBBER	1	
5050A		5050A-KKC4-900	STAND ASSY MAIN	STAND ASSY MAIN	1	
50530		50530-KKC4-900	BAR SIDE STAND	BAR SIDE STAND	1	
50550		50550-KEB7-E00	SPG ASSY MAIN STAND	SPG ASSY MAIN STAND	1	
90108		90108-KKC4-900	SCREW SIDE STAND PIVOT	SCREW SIDE STAND PIVOT	1	
94101		94101-08600	WASH PLAIN 8MM	WASH PLAIN 8MM	2	
94251		94251-08400	PIN LOCK 8MM	PIN LOCK 8MM	1	
95014		95014-72204	SPRING B1 SIDE STAND	SPRING B1 SIDE STAND	1	
95801		95801-10025-08	BOLT FLANGE 10*25	BOLT FLANGE 10*25	2	



F16

Rear Cushion



Sales mark	Ref no	Part no	Description	Reg description	Regd no	F16
	11102	11102-1G87-004	RUB BUSH ENG HANGER	RUB BUSH ENG HANGER	1	
**	52000	52000-KKC4-900	REAR FORK ASSY	REAR FORK ASSY	1	
**	52400	52400-KKC4-900	CUSHION ASSY R RR	CUSHION ASSY R RR	2	
	90131	90131-KFAF-900	BOLT FLANGE 8*42	BOLT FLANGE 8*42	2	
	95801	95801-10035-08	BOLT FLANGE 10*35	BOLT FLANGE 10*35	4	
	96150	96150-62040-10	BEARING BALL RADIAL 6204	BEARING BALL RADIAL 6204	1	

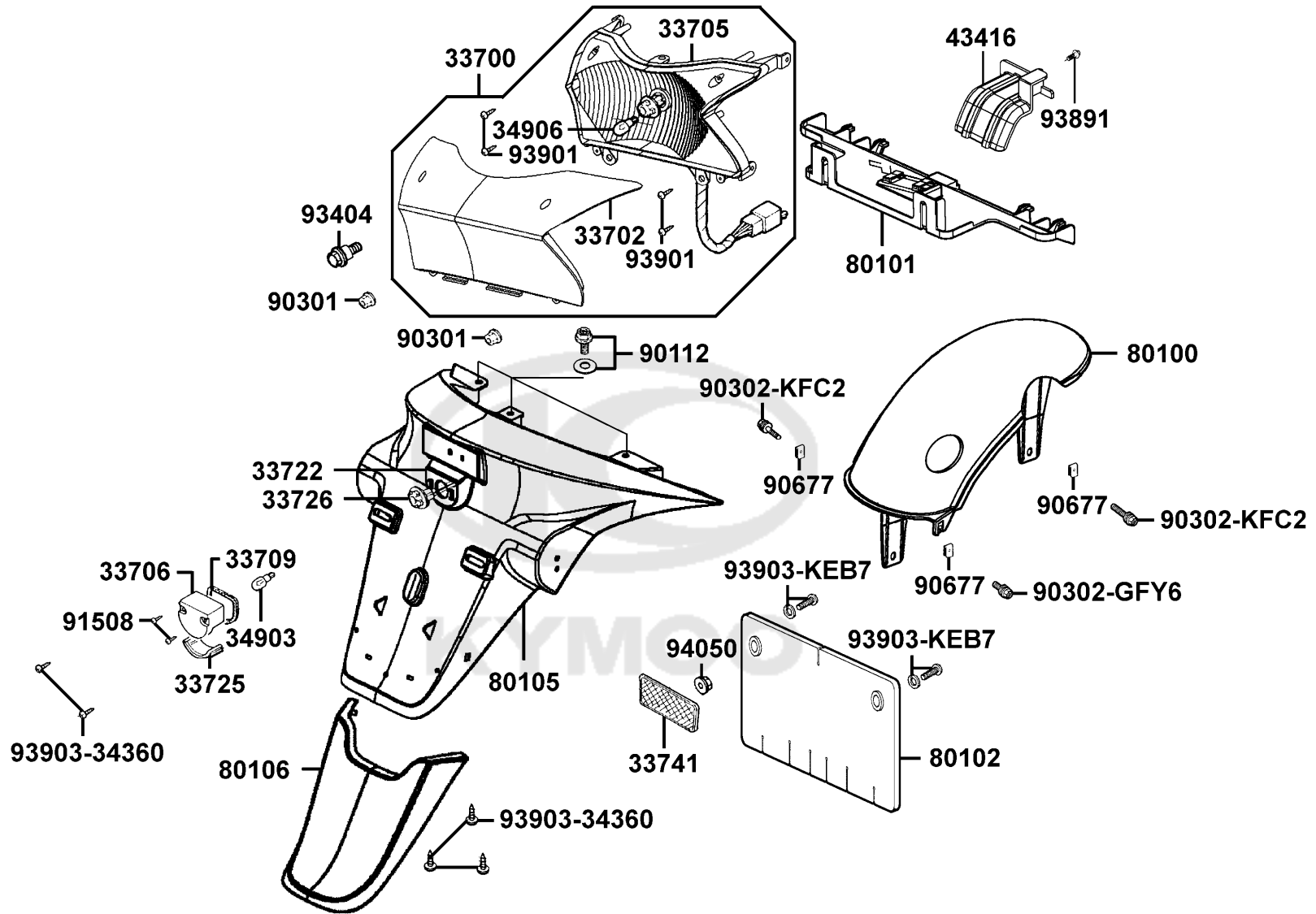


Sales mark	Ref no	Part no	Description	Reg description	Regd no	F17
	33400	33400-KKC4-E00	WINKER ASSY R FR	WINKER ASSY R FR	1	
	33402	33402-KKC4-E00	LENS FR WINKER R	LENS FR WINKER R	1	
	33403	33403-KKC4-E00	BASE COMP R FR WINKER	BASE COMP R FR WINKER	1	
	33407	33407-KKC4-E00	INNER LENS WINKER R	INNER LENS WINKER R	1	
	33450	33450-KKC4-E00	WINKER ASSY L FR	WINKER ASSY L FR	1	
	33452	33452-KKC4-E00	LENS L FR WINKER	LENS L FR WINKER	1	
	33453	33453-KKC4-E00	BASE COMP L FR WINKER	BASE COMP L FR WINKER	1	
	33457	33457-KKC4-E00	INNER LENS WINKER L	INNER LENS WINKER L	1	
	33600	33600-KKC4-E00	WINKER ASSY R RR	WINKER ASSY R RR	1	
	33602	33602-KKC4-E00	LENS R RR WINKER	LENS R RR WINKER	1	
	33603	33603-KKC4-E00	BASE R RR WINKER	BASE R RR WINKER	1	
	33606	33606-KKC4-E00	SOCKET COMP R RR WINKER	SOCKET COMP R RR WINKER	1	
	33607	33607-KKD7-E00	INNER LENS WINKER	INNER LENS WINKER	2	
	33650	33650-KKC4-E00	WINKER ASSY L RR	WINKER ASSY L RR	1	
	33652	33652-KKC4-E00	LENS L RR WINKER	LENS L RR WINKER	1	
	33653	33653-KKC4-E00	BASE L RR WINKER	BASE L RR WINKER	1	
	33656	33656-KKC4-E00	SOCKET COMP R/L RR WINKER	SOCKET COMP R/L RR WINKER	1	
	34905	34905-KPCP-900	BLUB WINKER 12V10W	BLUB WINKER 12V10W	4	
	93901-32220	93901-32220	SCREW TAPPING 3*10	SCREW TAPPING 3*10	8	
	93901-32310	93901-32310	SCREW TAPPING 3*12	SCREW TAPPING 3*12	2	

Sales mark	Ref no	Part no	Description	Reg description	Regd no	F17
------------	--------	---------	-------------	-----------------	---------	------------

	93901-34220	93901-34220	SCREW TAPPING 4*10	SCREW TAPPING 4*10	4	
	93903	93903-34360	SCREW TAPPING 4*12	SCREW TAPPING 4*12	14	

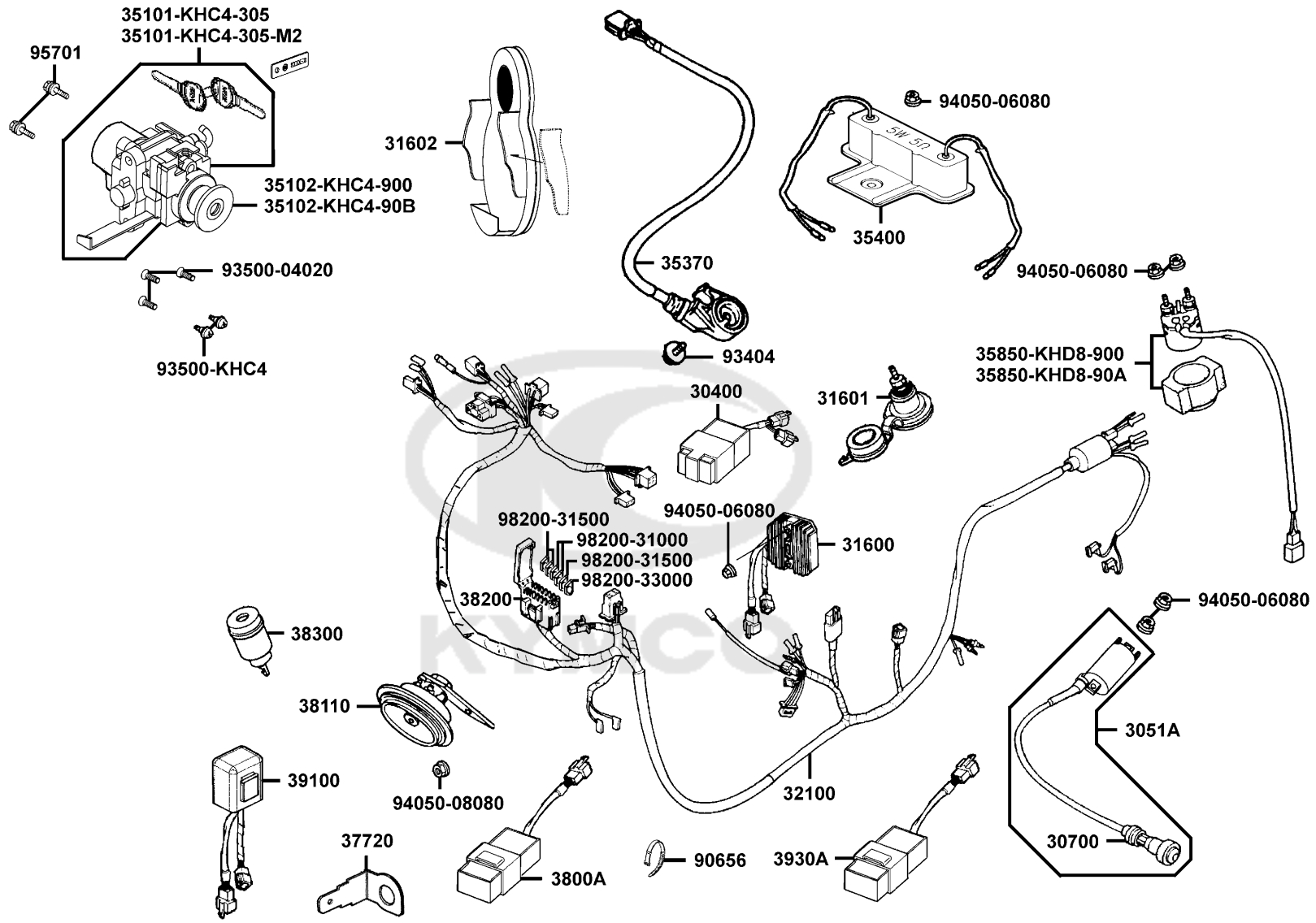




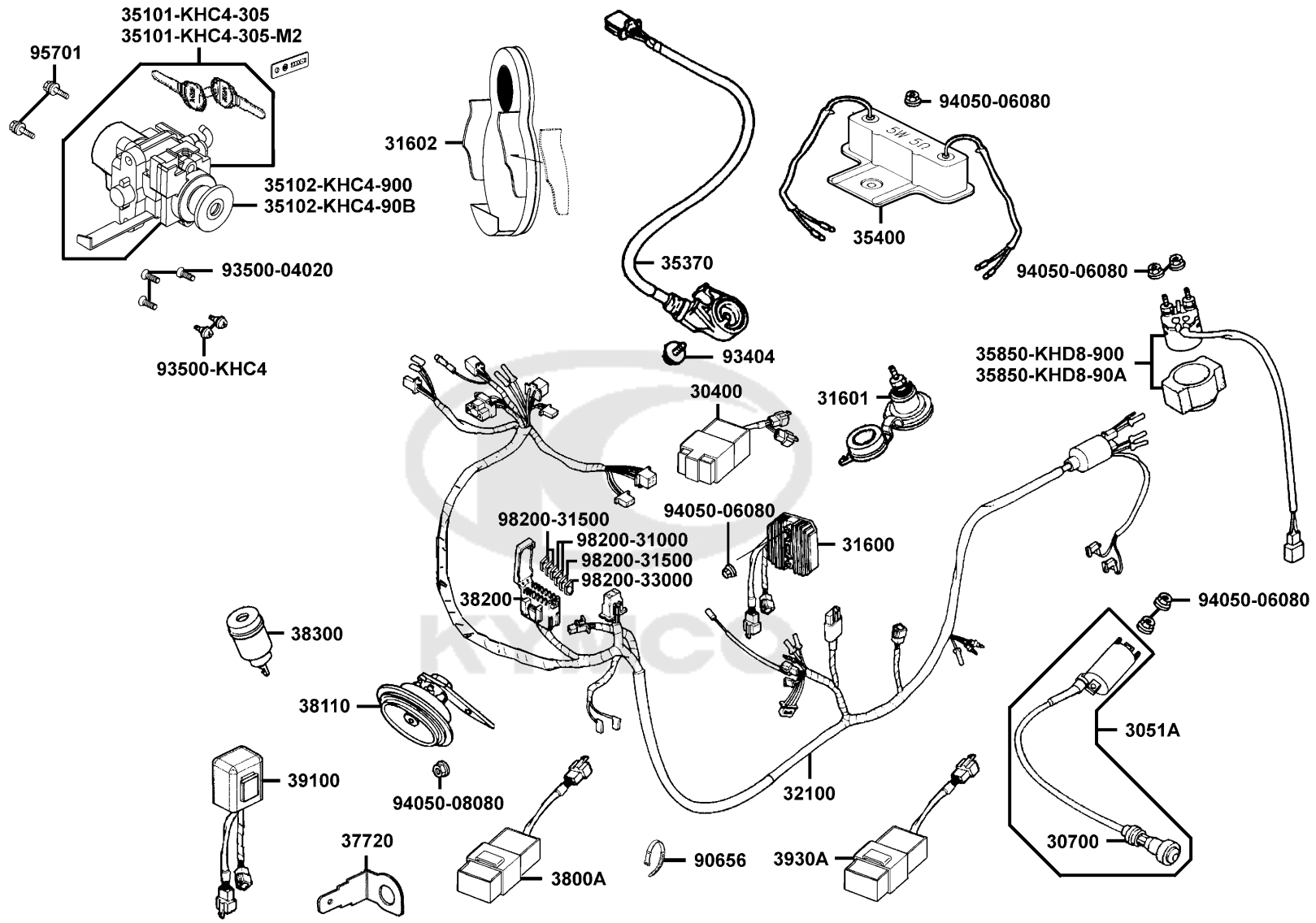
Sales mark	Ref no	Part no	Description	Reg description	Regd no	F18
	33700	33700-KKC4-E00	LIGHT ASSY RR COMB	LIGHT ASSY RR COMB	1	
	33702	33702-KKC4-E00	LENS TAIL LIGHT	LENS TAIL LIGHT	1	
	33705	33705-KKC4-E00	BASE COMP TAIL LIGHT	BASE COMP TAIL LIGHT	1	
	33706	33706-KHB4-E01	COVER LICENSE	COVER LICENSE	1	
	33709	33709-KBAB-003	PACKING LICENSE	PACKING LICENSE	1	
	33722	33722-KHB4-E00	BASE LICENSE	BASE LICENSE	1	
	33725	33725-KHB4-E00	LENS LICENSE	LENS LICENSE	1	
	33726	33726-KHB4-E00	SCOKET COMP	SCOKET COMP	1	
	33741	33741-KEBE-900	REFLEX REFLECTOR	REFLEX REFLECTOR	1	
	34903	34903-KPCP-900	BULB POSITION	BULB POSITION	1	
	34906	34906-KPCP-900	BULB TAIL & STOP 12V21W/5W	BULB TAIL & STOP 12V21W/5W	1	
	43416	43416-KKC4-900	GUARD RR CALIPER	GUARD RR CALIPER	1	
**	80100	80100-KKC4-900	FENDER RR TIRE	FENDER RR TIRE	1	
	80101	80101-KKC4-900	FENDER RR UP	FENDER RR UP	1	
	80102	80102-KKC4-900	PLATE C SPLASH GUARD	PLATE C SPLASH GUARD	1	
	80105	80105-KKC4-900	FENDER RR	FENDER RR	1	
	80106	80106-KKC4-900	FENDER B RR	FENDER B RR	1	
	90112	90112-KNBN-901	BOLT FLANGE 6MM	BOLT FLANGE 6MM	3	
	90301	90301-6D34-671	NUT FLANGE 6MM	NUT FLANGE 6MM	2	
	90302-GFY6	90302-GFY6-940	BOLT WASHER 5*16	BOLT WASHER 5*16	1	

Sales mark	Ref no	Part no	Description	Reg description	Regd no	F18
90302-KFC2		90302-KFC2-900	BOLT WASHER 5*25	BOLT WASHER 5*25	2	
90677		90677-GAR1-004	NUT CLIP 5MM	NUT CLIP 5MM	3	
91508		91508-KGV7-67A	SCREW TAPPING 4*14	SCREW TAPPING 4*14	2	
93404		93404-06016-06	BOLT WASHER 6*16	BOLT WASHER 6*16	1	
93891		93891-05030-07	SCREW WASHER 5*30	SCREW WASHER 5*30	1	
93901		93901-34320	SCREW TAPPING 4*12	SCREW TAPPING 4*12	4	
93903-34360		93903-34360	SCREW TAPPING 4*12	SCREW TAPPING 4*12	5	
93903-KEB7		93903-KEB7-900-06	SCREW WASHER 4MM	SCREW WASHER 4MM	2	
94050		94050-05080	NUT FLANGE 5MM	NUT FLANGE 5MM	1	





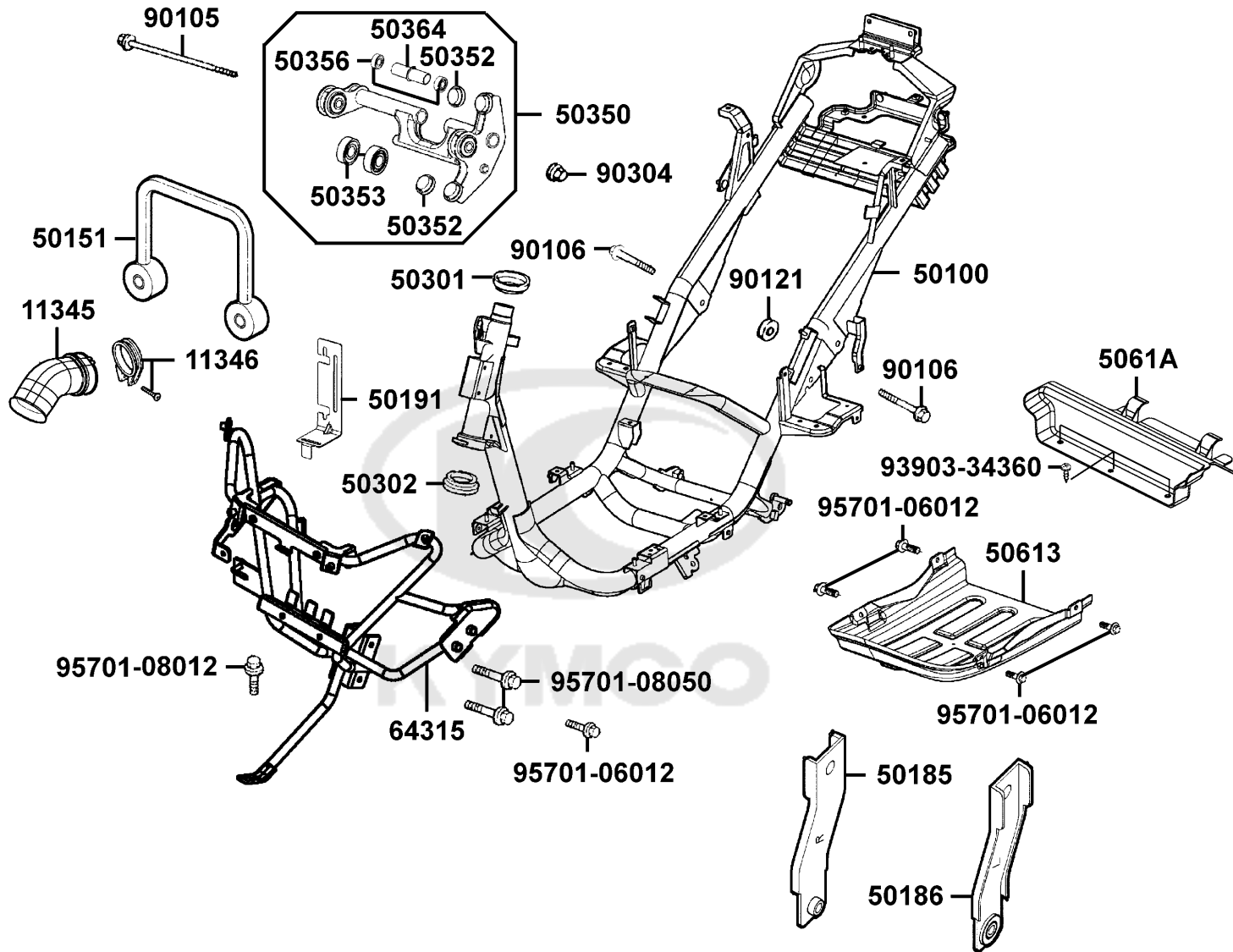
Sales mark	Ref no	Part no	Description	Reg description	Regd no	F19
	30400	30400-KHE7-900	UNIT CDI	UNIT CDI	1	
	3051A	3051A-KKC4-900	COIL ASSY IGNITION	COIL ASSY IGNITION	1	
	30700	30700-KFC8-E0H	CAP ASSY NOISE SUPPRESOR	CAP ASSY NOISE SUPPRESOR	1	
	31600	31600-KAM1-009	REG REC COMP	REG REC COMP	1	
	31601	31601-KKC4-900	SOCKET COMP DC12V	SOCKET COMP DC12V	1	
	31602	31602-KKC4-900	SOCKET COMP CELL-PHONE	SOCKET COMP CELL-PHONE	1	
	32100	32100-KKC4-910	HARNESS WIRE	HARNESS WIRE	1	
	35101-KHC4-305	35101-KHC4-305	SW COMB & LOCK	SW COMB & LOCK	1	
	35101-KHC4-305-M2	35101-KHC4-305-M2	SW COMB & LOCK	SW COMB & LOCK	1	
	35102-KHC4-900	35102-KHC4-900	COLLAR MAIN SWITCH	COLLAR MAIN SWITCH	1	
	35102-KHC4-90B	35102-KHC4-90B	COLLAR MAIN SW	COLLAR MAIN SW	1	
	35370	35370-KEC8-E00	SW UNIT SIDE STAND	SW UNIT SIDE STAND	1	
	35400	35400-KHE7-900	RESISTOR COMP	RESISTOR COMP	1	
	35850-KHD8-900	35850-KHD8-900	SET START MAG	SET START MAG	1	
	35850-KHD8-90A	35850-KHD8-90A	SET START MAG	SET START MAG	1	
	37720	37720-KGBG-E00	EARTH TERMINAL HEATER	EARTH TERMINAL HEATER	1	
	3800A	3800A-KKC4-900	UNIT ASSY ENG STOP	UNIT ASSY ENG STOP	1	
	38110	38110-KKC3-90B	HORN COMP	HORN COMP	2	
	38200	38200-KHE7-900	BOX COMP FUSE	BOX COMP FUSE	1	
	38300	38300-KECE-900	RELAY ASSY WINKER	RELAY ASSY WINKER	1	



Sales mark	Ref no	Part no	Description	Reg description	Regd no	F19
	39100	39100-KHD8-900	EMI FILTER MOTOR	EMI FILTER MOTOR	1	
	3930A	3930A-KKC4-900	BACK MIRROR CTRL ASSY	BACK MIRROR CTRL ASSY	1	
**	90656	90656-KUDU-900	BAND HARNESS WIRE	BAND HARNESS WIRE	1	
	93404	93404-06016-06	BOLT WASHER 6*16	BOLT WASHER 6*16	1	
	93500-04020	93500-04020-0G	SCREW PAN 4*20	SCREW PAN 4*20	3	
	93500-KHC4	93500-KHC4-90A	SCREW PAN 5*10	SCREW PAN 5*10	2	
	94050-06080	94050-06080	NUT FLANGE 6MM	NUT FLANGE 6MM	6	
	94050-08080	94050-08080	NUT FLANGE 8MM	NUT FLANGE 8MM	1	
	95701	95701-KHC5-E00	BOLT TORQUE 8*25	BOLT TORQUE 8*25	2	
	98200-31000	98200-31000	BLADE FUSE 10A	BLADE FUSE 10A	2	
	98200-31500	98200-31500	BLADE FUSE 15A	BLADE FUSE 15A	3	
	98200-33000	98200-33000	BLADE FUSE 30A	BLADE FUSE 30A	1	

F20

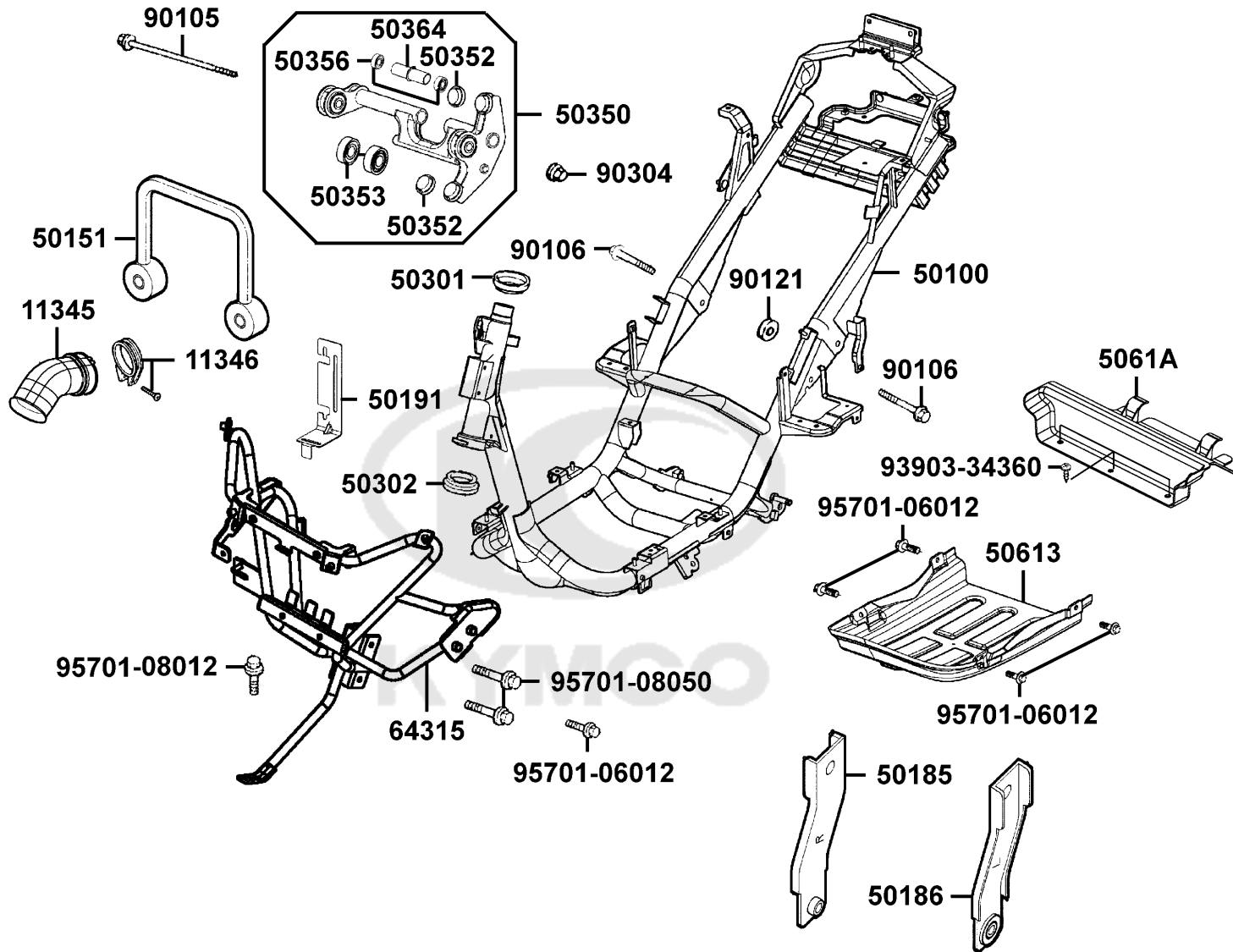
Frame Body




Sales mark	Ref no	Part no	Description	Reg description	Regd no	F20
11345		11345-KKC4-900	DUCT L COVER	DUCT L COVER	1	
11346		11346-GFY6-901	BAND L COVER DUCT	BAND L COVER DUCT	1	
50100		50100-KKC4-EZ0	BODY COMP FRAME	BODY COMP FRAME	1	
50151		50151-KKC4-900	HOOK CARRIER	HOOK CARRIER	1	
50185		50185-KKC4-900	STAY R BODY COVER	STAY R BODY COVER	1	
50186		50186-KKC4-900	STAY L BODY COVER	STAY L BODY COVER	1	
50191		50191-KKC4-900	STAY ALARM SYSTEM	STAY ALARM SYSTEM	1	
50301		50301-KGN7-671	RACE UP STRG BALL	RACE UP STRG BALL	1	
50302		50302-2H68-011	RACE (STRG BOT) BALL	RACE (STRG BOT) BALL	1	
50350		50350-KKC4-E00	ENG HANGER COMP	ENG HANGER COMP	1	
50352		50352-GFY6-901	RUBBER STOPPER	RUBBER STOPPER	2	
50353		50353-KGN7-901	BUSH A ENG HANGER	BUSH A ENG HANGER	2	
50356		50356-KHE7-E00	BUSH SWING LOCK	BUSH SWING LOCK	2	
50364		50364-KKC4-E00	COLLAR ENG HANGER	COLLAR ENG HANGER	1	
50613		50613-KKC4-900	COVER UNDER	COVER UNDER	1	
5061A		5061A-KKC3-900	DEFLECTION UNDER	DEFLECTION UNDER	1	
64315		64315-KKC4-900	STAY FR COVER	STAY FR COVER	1	
90105		90105-KGN7-671	BOLT FLANGE 10*235.5	BOLT FLANGE 10*235.5	1	
90106		90106-KHE7-E00	BOLT FLANGE 12*59	BOLT FLANGE 12*59	2	
90121		90121-KHE7-E00	COLLAR DISTANCE	COLLAR DISTANCE	1	

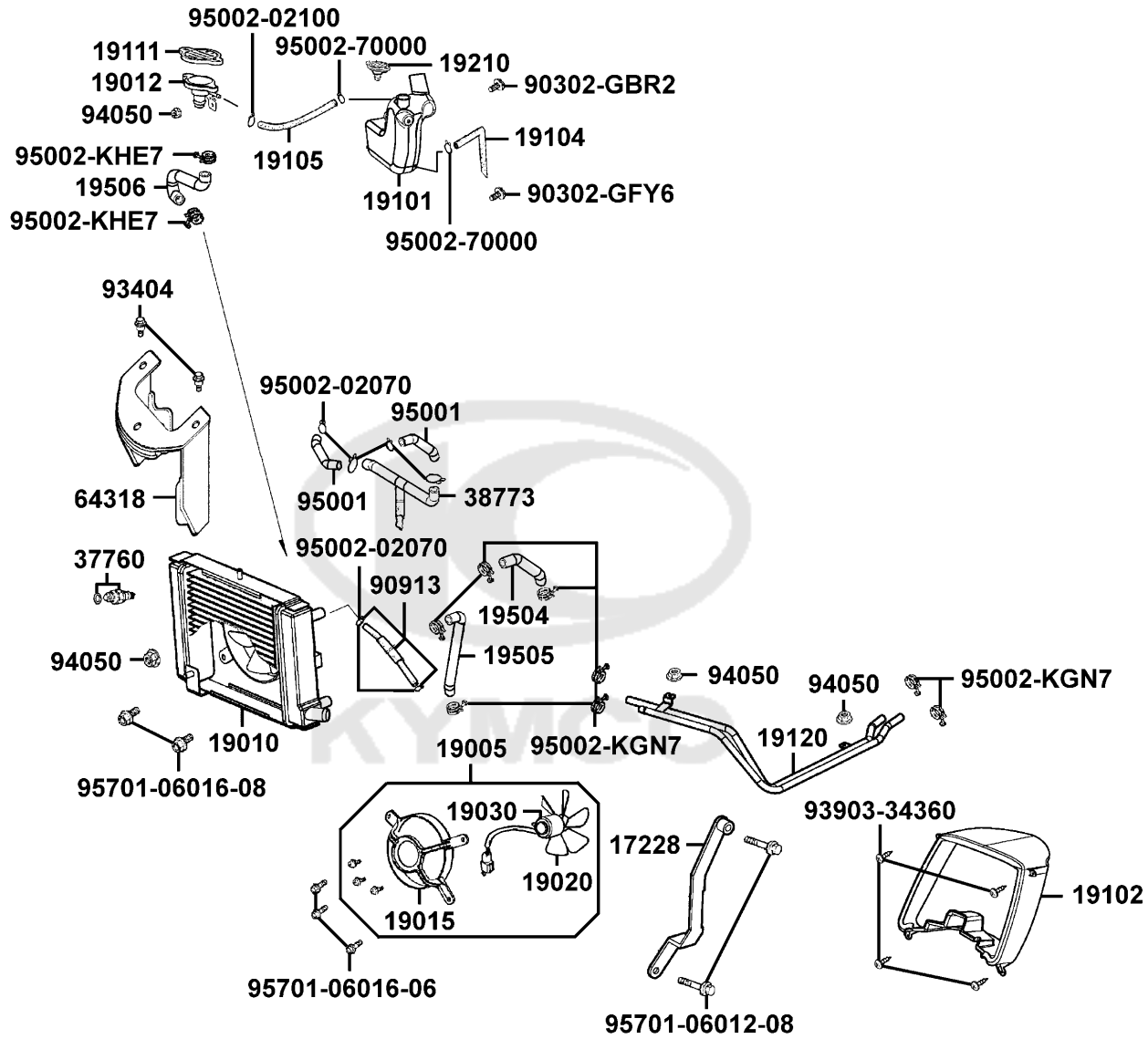
F20

Frame Body



Sales mark	Ref no	Part no	Description	Reg description	Regd no	F20
	90304	90304-GHE8-004	NUT U 10MM	NUT U 10MM	1	
	93903-34360	93903-34360	SCREW TAPPING 4*12	SCREW TAPPING 4*12	3	
	95701-06012	95701-06012-08	BOLT FLANGE 6*12	BOLT FLANGE 6*12	5	
	95701-08012	95701-08012-08	BOLT FLANGE 8X12	BOLT FLANGE 8X12	1	
	95701-08050	95701-08050-08	BOLT FLANGE 8*50	BOLT FLANGE 8*50	2	
						

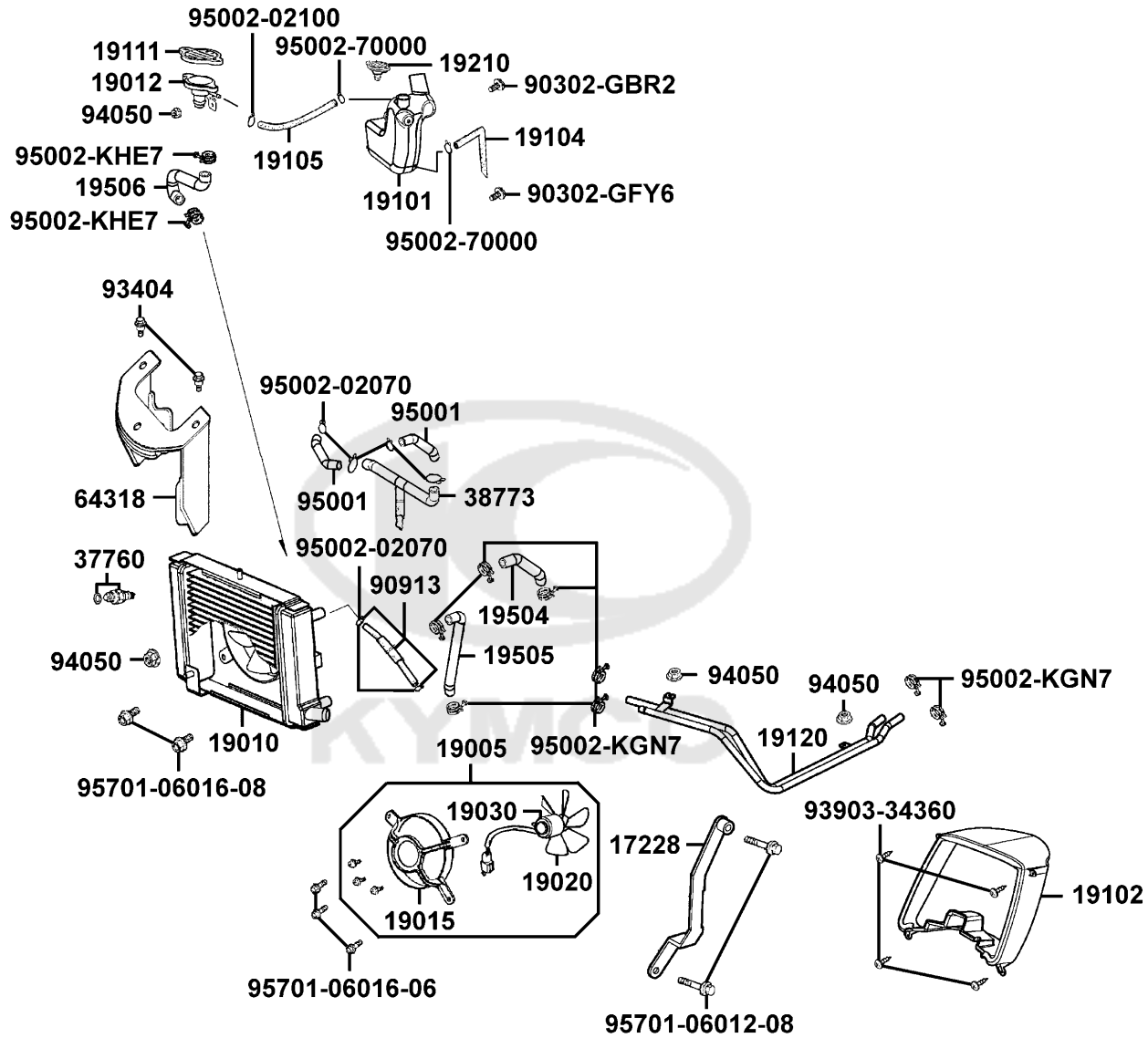
Radiator



Sales mark	Ref no	Part no	Description	Reg description	Regd no	F21
17228		17228-KKC4-900	STAY A/C	STAY A/C	1	
19005		19005-KKC4-900	SHROUD ASSY	SHROUD ASSY	1	
19010		19010-KKC4-900	RADIATOR COMP	RADIATOR COMP	1	
19012		19012-KHD8-900	UNIT RADIATOR	UNIT RADIATOR	1	
19015		19015-KKC4-900	SHROUD COMP	SHROUD COMP	1	
19020		19020-KED9-900	FAN COOLING	FAN COOLING	1	
19030		19030-KHD8-900	MOTOR ASSY FAN	MOTOR ASSY FAN	1	
19101		19101-KKC4-900	TANK RESERVE	TANK RESERVE	1	
19102		19102-KKC4-900	DUCT COOLING AIR	DUCT COOLING AIR	1	
19104		19104-KKC4-900	HOSE ASSY DRAIN	HOSE ASSY DRAIN	1	
19105		19105-KKC4-900	HOSE ASSY RESERVE-COOLER	HOSE ASSY RESERVE-COOLER	1	
19111		19111-GBE2-004	CAP COMP	CAP COMP	1	
19120		19120-KKC4-900	PIPE COMP WATER	PIPE COMP WATER	1	
19210		19210-KKC4-900	CAP RESERVE TANK	CAP RESERVE TANK	1	
19504		19504-KKC4-900	HOSE WATER D RADIATOR-PIPE	HOSE WATER D RADIATOR-PIPE	1	
19505		19505-KKC4-900	HOSE WATER F PIPE-RADIATOR	HOSE WATER F PIPE-RADIATOR	1	
19506		19506-KKC4-900	HOSE WATER G RADIATOR-UNIT	HOSE WATER G RADIATOR-UNIT	1	
37760		37760-KHD8-900	SW ASSY THERMO	SW ASSY THERMO	1	
38773		38773-PKB9-001	JOINT 3 WAY 3.5	JOINT 3 WAY 3.5	1	
64318		64318-KKC4-900	STAY METER	STAY METER	1	

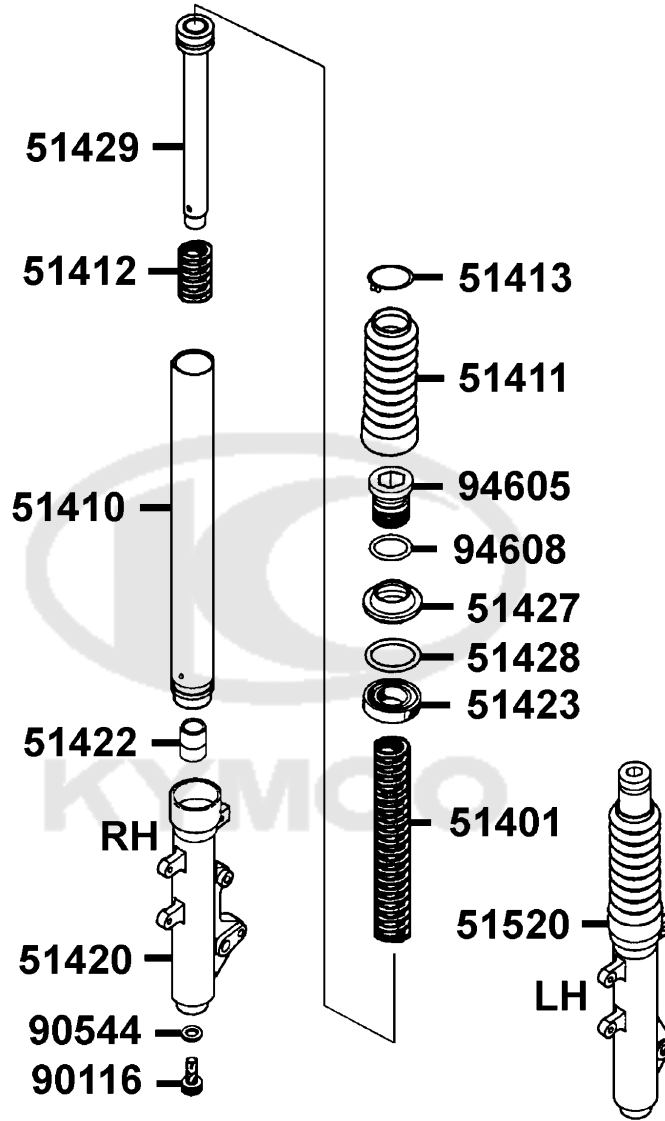
F21

Radiator

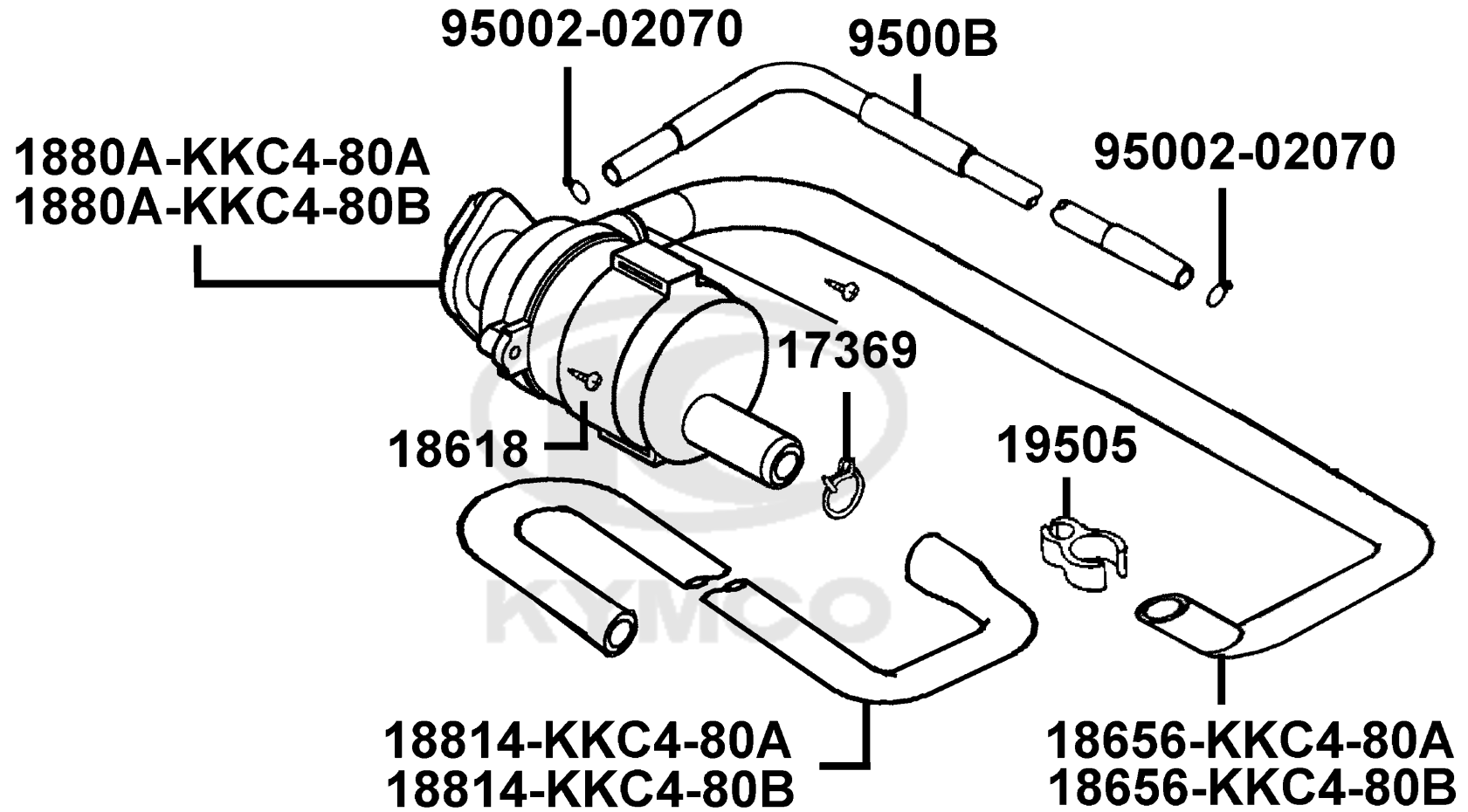


Sales mark	Ref no	Part no	Description	Reg description	Regd no	F21
90302-GBR2		90302-GBR2-001	BOLT WASHER 5*16	BOLT WASHER 5*16	1	
90302-GFY6		90302-GFY6-901	BOLT WASH 5*12	BOLT WASH 5*12	1	
90913		90913-KKC4-900	TUBE ASSY WATER PUMP TO RAD	TUBE ASSY WATER PUMP TO RAD	1	
93404		93404-06016-06	BOLT WASHER 6*16	BOLT WASHER 6*16	2	
93903-34360		93903-34360	SCREW TAPPING 4*12	SCREW TAPPING 4*12	4	
94050		94050-06080	NUT FLANGE 6MM	NUT FLANGE 6MM	4	
95001		95001-35225-40	TUBE FUEL 3.5*225	TUBE FUEL 3.5*225	2	
95002-02070		95002-02070	CLIP B7 PORT TUBE	CLIP B7 PORT TUBE	6	
95002-02100		95002-02100	CLIP B10 TUBE	CLIP B10 TUBE	1	
95002-70000		95002-70000	CLIP C11 TUBE	CLIP C11 TUBE	2	
95002-KGN7		95002-KGN7-910	CLIP TUBE	CLIP TUBE	8	
95002-KHE7		95002-KHE7-900	CLIP WATER HOSE	CLIP WATER HOSE	2	
95701-06012-08		95701-06012-08	BOLT FLANGE 6*12	BOLT FLANGE 6*12	2	
95701-06016-06		95701-06016-06	BOLT FLANGE 6*16	BOLT FLANGE 6*16	3	
95701-06016-08		95701-06016-08	BOLT FLANGER 6*12	BOLT FLANGER 6*12	2	

Separated Parts Of Fr Fork



Sales mark	Ref no	Part no	Description	Reg description	Regd no	F22
	51401	51401-KHD8-900	SPRING	SPRING	2	
	51410	51410-KHD8-900	FORK PIPE COMP	FORK PIPE COMP	2	
	51411	51411-KHD8-900	BOOT	BOOT	2	
	51412	51412-KHD8-900	REBOUND SPRING	REBOUND SPRING	2	
	51413	51413-KHD8-900	BOOT BAND	BOOT BAND	2	
**	51420	51420-KKC4-900	BOTTOM CASE R	BOTTOM CASE R	1	
	51422	51422-KKC4-900	OIL LOCK PIECE	OIL LOCK PIECE	2	
	51423	51423-KKAK-900	OIL SEAL	OIL SEAL	2	
	51427	51427-KKAK-900	DUST SEAL	DUST SEAL	2	
	51428	51428-KKAK-900	RING OIL SEAL STOPPER	RING OIL SEAL STOPPER	2	
	51429	51429-KHD8-900	PIPE SEAT COMP	PIPE SEAT COMP	2	
**	51520	51520-KKC4-900	BOTTOM CASE L	BOTTOM CASE L	1	
	90116	90116-KHD8-900	BOLT	BOLT	2	
	90544	90544-KEC8-900	PACKING	PACKING	2	
	94605	94605-KHD8-900	FORK BOLT	FORK BOLT	2	
	94608	94608-30000	O-RING	O-RING	2	



Sales mark	Ref no	Part no	Description	Reg description	Regd no	F23
	17369	17369-KDB4-671	CLIP BREATHER TUBE	CLIP BREATHER TUBE	2	
	18618	18618-LLF5-90A	RUBBER AICV MOUNT	RUBBER AICV MOUNT	1	
	18656-KKC4-80A	18656-KKC4-80A	DUCT AICV REED VALVE	DUCT AICV REED VALVE	1	
	18656-KKC4-80B	18656-KKC4-80B	DUCT AICV REED VALVE	DUCT AICV REED VALVE	1	
	1880A-KKC4-80A	1880A-KKC4-80A	AI/C AICV ASSY	AI/C AICV ASSY	1	
	1880A-KKC4-80B	1880A-KKC4-80B	AI/C AICV ASSY	AI/C AICV ASSY	1	
	18814-KKC4-80A	18814-KKC4-80A	DUCT AIR AICV	DUCT AIR AICV	1	
	18814-KKC4-80B	18814-KKC4-80B	DUCT AIR AICV	DUCT AIR AICV	1	
	19505	19505-GFY6-940	CLAMP A WATER HOSE	CLAMP A WATER HOSE	1	
	95002-02070	95002-02070	CLIP B7 PORT TUBE	CLIP B7 PORT TUBE	2	
	9500B	9500B-KBE2-700	TUBE ASSY FUEL 3.5X185	TUBE ASSY FUEL 3.5X185	1	

● Be sure to wear a safety helmet when riding.
 ● Do not exceed the speed specified by law when riding.
 ● The exhaust muffler temperature is very high after riding. Be sure to push the motorcycle in a place not easily touched by people.
 ● For riding safety and good performance, do not violate the law to modify the motorcycle.
 ● Make sure to perform the periodic maintenance and provide inspection.

Provide inspection items

Brake Performance, tires, engine oil level, lights, horn, and instrument panel

KWANG YANG MOTOR CO., LTD.

© Please read the user's manual carefully to ensure riding safety.

87560

CAUTIONS

Tire Size	:Front 120/70-12	Rear 140/70-12
(One Rider)	:Front 1.75kgf/cm ²	Rear 2.25kgf/cm ²
(Two Rider)	:Front 2.00kgf/cm ²	Rear 2.50kgf/cm ²

Load Capacity: Shield 1.5kg Clip away center 3kg
 (As per KYMCO standard specification)
 (Note: The tire pressure must not overpass 2.00kgf/cm²)

● Check the motor oil level with the dipstick after refilling motor oil.

KK2-888

87505

USE UNLEADED GASOLINE ONLY

87501

CAUTION

Mobile phone charge only, Use other appliance may cause damage.

KKC2-E000

87541-KKC2

CAUTIONS

Every 5000 km run should exchange the filter.

KK2-888

87512

CAUTIONS

Never put any article between the rear side cover and the engine to avoid interference of riding.

GM9-300

87542

CAUTIONS

Before starting the engine, the side stand shall be kicked up to secure safety.

87541-GAR1

Sales mark	Ref no	Part no	Description	Reg description	Regd no	F24
**	87501	87501-KRDR-E00	CAUTION USE GAS ONLY	CAUTION USE GAS ONLY	1	
**	87505	87505-KHE7-E00	LABEL TIRE	LABEL TIRE	1	
**	87512	87512-KEBE-E00	CAUTION FILTER	CAUTION FILTER	1	
**	87541-GAR1	87541-GAR1-E00	CAUTION SIDE STAND	CAUTION SIDE STAND	1	
**	87541-KKC2	87541-KKC2-E00	CAUTION MOBILE PHONE	CAUTION MOBILE PHONE	1	
**	87542	87542-GAR1-E00	MARK MAINT CAUTION	MARK MAINT CAUTION	1	
**	87560	87560-GFY6-E00	MARK DRIVE CAUTION	MARK DRIVE CAUTION	1	

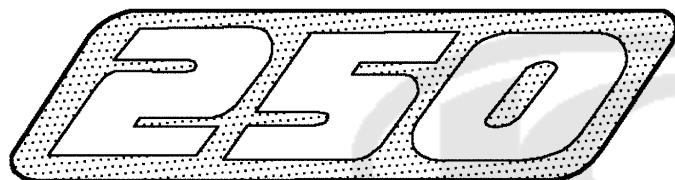




86202



86212



87140



86030



87311

Sales mark	Ref no	Part no	Description	Reg description	Regd no	F25
**	86030	86030-KKC4-900	EMB HANDLE COVER RR	EMB HANDLE COVER RR	1	
**	86202	86202-KKC4-900	EMB BODY COVER	EMB BODY COVER	2	
**	86212	86212-KKC4-900	EMB B BODY COVER	EMB B BODY COVER	2	
**	87140	87140-KHE7-E00	EMB B BODY COVER	EMB B BODY COVER	2	
**	87311	87311-KKD6-E00	STRIPE MARK EURO2	STRIPE MARK EURO2	1	



PART NO. INDEX

PART NO.	VERSION	PAGE	PART NO.	VERSION	PAGE	PART NO.	VERSION	PAGE
0000			4000			11383-KUDU-900	0	E01
0137-261-36G5	0	E08	4000-276-0000	0	E08	11384-KHE7-900	1	E04
0301-261-36G5	0	E08	4115-803-1100	0	E08	11394-KHE7-900	1	E04
			4115-804-1100	0	E08	11394-KHE7-980	2	E04
1000						11395-KHE7-900	0	E01
						11395-KHE7-980	1	E01
			11000					
1028-054-7000	0	E08				12000		
1030-892-2101	0	E08	11100-KHE7-305	5	E01	12100-KHE7-900	6	E03
1052-862-2101	0	E08	11100-LDB2-305	0	E01	12191-KHE7-910	2	E03
1090-872-2000	0	E08	11102-1G87-004	3	E01	12200-KHE7-900	3	E02
1190-B30-2002	0	E08	11102-1G87-004	3	F16	12205-KHE8-301	4	E02
1190-B63-2100	0	E08	11103-KHE7-900	0	E01	12209-GDB4-68A	0	E02
1201-830-2300	1	E08	11192-KHE7-900	0	E01	1221A-KHE7-900	1	E02
1229-805-7000	0	E08	11192-KHE7-980	1	E01	12251-KHE7-901	1	E02
1230-850-2000	0	E08	11200-KKC4-305	2	E01	12310-KHE7-900	1	E02
1230-851-2001	0	E08	11207-KKC4-900	3	F13	12361-GFY6-901	1	E04
1230-856-7001	0	E08	11211-KKC4-900	0	F13	12391-KHE7-900	0	E02
1290-996-2000	0	E08	1122A-KKC4-900	0	E07			
1290-A07-2000	0	E08	11330-KHE7-900	6	E04	13000		
1290-A28-2000	0	E08	11341-KHE7-900	2	E01	13000-KHE7-900	12	E03
1402-939-2100	0	E08	11345-KKC4-900	0	F20	13000-KHE7-910	2	E03
1614-834-2100	0	E08	11346-GFY6-901	0	F20	13011-KHE7-900	0	E03
			1134A-KHE7-900	3	E01	13101-KHE7-900	6	E03
			11383-KHE7-900	0	E04			

PART NO. INDEX

PART NO.	VERSION	PAGE	PART NO.	VERSION	PAGE	PART NO.	VERSION	PAGE	
13111-KHE7-900	2	E03	15100-KKC3-900	3	E06	1721A-KKC3-900	1	F13	
14000			15133-KAM1-001	1	E06	17228-KKC4-900	0	F21	
			15141-KKJ9-004	0	E06	17231-KKC3-900	3	F13	
			15421-1G07-001	1	E04	1723A-KKC4-E00	3	F13	
			15426-GAE1-921	0	E04	17254-KACA-P00	0	F13	
14100-KHE7-220	0	E02	15441-1K49-001	0	E03	17369-KDB4-671	1	F23	
14401-KHE7-90A	0	E03	15447-1K49-001	0	E03	17370-4K19-701	0	F13	
14401-KHE7-90B	0	E03	1565A-KEBE-900	0	E04	17371-1D74-671	0	F13	
14431-KHE7-900	0	E02	15711-KHE7-900	0	E06	17500-KKC4-900	4	F10	
14450-KEBE-900	0	E02	16000			17502-KKC4-900	0	F10	
14461-KHE7-900	0	E02					17510-KKC4-900	0	F10
14510-KHE7-900	0	E03					17520-KKC4-900	1	F10
14520-GFY6-90A	1	E03					17550-KHC4-900	0	F10
14523-GFY6-901	1	E03	1610K-KKC4-E00	4	E08	17620-KHC5-E00	1	F10	
14531-KHE7-900	1	E03	16145-MZ2-7800	0	E08	17620-KHC5-E0B	1	F10	
14610-KHE7-900	0	E03	16199-GFY6-900	0	E08	17623-KHC4-90A	6	F10	
14711-KHE7-900	0	E02	16700-KHE7-900	5	F10	17623-KHC4-90B	1	F10	
14721-KHE7-900	1	E02	16911-KKC4-900	0	F10	17682-KKC4-900	0	F10	
14751-KHE7-900	0	E02	16912-KKC4-900	0	F10	17683-KKC4-900	0	F10	
14761-KHE7-900	0	E02	1691A-KEC2-E00	0	F10	17689-KEBE-900	1	F10	
14771-GDB4-680	2	E02	16978-ZB9-0050	0	E08	17910-KKC4-900	1	F03	
14775-MFA6-001	0	E02	17000			17911-KKC4-900	0	F03	
14781-MFA6-001	0	E02							
15000									
			17110-KHE7-900	3	E02	18000			
			17214-KKC3-900	0	F13				
15100-KEBE-900	0	E06	17215-KGBG-90A	2	F13		18291-LBA7-900	2	F14

PART NO. INDEX

PART NO.	VERSION	PAGE	PART NO.	VERSION	PAGE	PART NO.	VERSION	PAGE
18293-KECE-900	0	F14	19015-KKC4-900	2	F21			
18294-KEBE-900	0	F14	19020-KED9-900	1	F21	21000		
18295-KECE-900	0	F14	19030-KHD8-900	2	F21			
18305-KHD8-900	0	F14	19101-KKC4-900	0	F21	21200-KHE7-305	0	E07
18306-KHE7-900	0	F14	19102-KKC4-900	0	F21	21395-KHE7-900	0	E07
1830A-KHE7-EZ0	1	F14	19104-KKC4-900	0	F21	21395-KHE7-980	1	E07
18318-KHE7-E00	1	F14	19105-KKC4-900	0	F21			
18325-KHE7-900	1	F14	19111-GBE2-004	1	F21	22000		
18601-MAJ1-791	1	E02	19120-KKC4-900	4	F21			
18612-GFY6-941	0	E02	19210-KKC4-900	0	F21	22101-KHE7-900	1	E05
18618-LLF5-90A	2	F23	19215-KHE7-900	0	E04	22102-KHE7-900	3	E05
18645-GFY6-941	0	E02	19217-6G57-024	0	E04	22105-KHE7-900	1	E05
18646-GFY6-941	0	E02	19221-KHE7-900	3	E04	22105-LBA7-900	1	E05
18647-KHE7-900	1	E02	19229-KHE7-900	1	E04	22110-KHE7-900	6	E05
18656-KKC4-80A	1	F23	19231-KKJ9-011	0	E04	22112-KHE7-900	1	E05
18656-KKC4-80B	0	F23	19300-KAE1-004	1	E02	22121-KHE7-90A	1	E05
1880A-KKC4-80A	2	F23	19310-KHE7-900	2	E02	22131-KHE7-900	1	E05
1880A-KKC4-80B	2	F23	19315-KHE7-900	0	E02	22131-LBA7-900	1	E05
18814-KKC4-80A	1	F23	19411-KBCB-900	0	F10	22132-KHE7-900	2	E05
18814-KKC4-80B	0	F23	19501-KHE7-900	0	E04	22300-KHE7-900	4	E05
19000			19502-KHE7-900	0	E04	22350-KHE7-900	1	E05
			19503-KHE7-900	1	E02	22361-LEA7-E00	1	E05
			19504-KKC4-900	0	F21	22401-KHE7-900	2	E05
19005-KKC4-900	2	F21	19505-GFY6-940	3	F23	22530-KHE7-900	2	E05
19010-KKC4-900	2	F21	19505-KKC4-900	0	F21	22804-GBB2-001	0	E05
19012-KHD8-900	4	F21	19506-KKC4-900	1	F21			

PART NO. INDEX

PART NO.	VERSION	PAGE	PART NO.	VERSION	PAGE	PART NO.	VERSION	PAGE
23000			30000			33000		
2301A-LLJ3-E00	6	E05	30400-KHE7-900	2	F19	33100-KKC4-E00	5	F01
23100-KHE7-900	0	E05	3051A-KKC4-900	0	F19	33120-KKC4-E00	1	F01
23200-KHE7-900	6	E05	30700-KFC8-E0H	1	F19	33130-KKC4-E00	0	F01
23220-KHE7-900	4	E05				33400-KKC4-E00	0	F17
23225-KHE7-900	0	E05	31000			33402-KKC4-E00	0	F17
23226-GHC8-004	0	E05				33403-KKC4-E00	0	F17
23233-KHE7-900	1	E05	31110-KHE7-90A	0	E06	33407-KKC4-E00	0	F17
23237-KHE7-900	0	E05	31120-KKC4-90A	2	E06	33450-KKC4-E00	0	F17
23238-KHE7-900	0	E05	31210-KHE7-90A	1	E06	33452-KKC4-E00	0	F17
23411-KHE7-900	4	E07	31500-KHE7-90A	5	F11	33453-KKC4-E00	0	F17
23420-KHE7-910	1	E07	31500-KHE7-90B	4	F11	33457-KKC4-E00	0	F17
23431-KHE7-900	2	E07	31600-KAM1-009	1	F19	33600-KKC4-E00	2	F17
23432-KHE7-910	1	E07	31601-KKC4-900	4	F19	33602-KKC4-E00	0	F17
			31602-KKC4-900	0	F19	33603-KKC4-E00	0	F17
28000			32000			33606-KKC4-E00	0	F17
28101-KHE7-900	0	E06				33607-KKD7-E00	0	F17
28102-KHE7-900	0	E06	32100-KKC4-910	2	F19	33650-KKC4-E00	2	F17
28110-KHE7-900	4	E06	32410-KKC4-900	1	E06	33652-KKC4-E00	0	F17
28110-LDB2-E00	4	E06	32411-KKC4-900	1	F11	33653-KKC4-E00	0	F17
28120-KHE7-E00	0	E06	32412-KKC4-900	3	F11	33656-KKC4-E00	0	F17
28120-LDB2-E00	0	E06				33700-KKC4-E00	1	F18
						33702-KKC4-E00	0	F18
						33705-KKC4-E00	0	F18

PART NO. INDEX

PART NO.	VERSION	PAGE	PART NO.	VERSION	PAGE	PART NO.	VERSION	PAGE
33706-KHB4-E01	0	F18	3520A-KEBE-900	2	F03	38200-KHE7-900	0	F19
33709-KBAB-003	0	F18	35340-KNBN-901	0	F04	38300-KECE-900	3	F19
33722-KHB4-E00	0	F18	35350-KNBN-901	0	F04	38500-LGL3-90A	2	F11
33725-KHB4-E00	0	F18	35360-KFBB-900	1	F12	38500-LGL3-90D	2	F11
33726-KHB4-E00	0	F18	35370-KEC8-E00	3	F19	38506-KHD8-900	0	F11
33741-GFY6-C30	1	F05	35400-KHE7-900	1	F19	38773-PKB9-001	0	F21
33741-KEBE-900	1	F18	35850-KHD8-900	1	F19			
33900-KFBB-900	0	F12	35850-KHD8-90A	0	F19	39000		
34000			37000			39100-KHD8-900	0	F19
						3930A-KKC4-900	2	F19
34901-KED9-900	0	F01	37200-KKC4-900	3	F02	42000		
34903-KPCP-900	0	F01	37203-KKC4-900	0	F02			
34903-KPCP-900	0	F18	37204-KKC4-900	0	F02			
34905-KPCP-900	0	F17	37720-KGB5-900	0	E02	42311-KHE7-E00	0	F08
34906-KPCP-900	0	F18	37720-KGBG-E00	0	F19	42312-KHE7-E00	0	F08
34909-KEBE-900	0	F02	37750-PAC1-005	0	E02	42601-KHE7-E00	2	F08
34909-KFBB-900	0	F12	37760-KHD8-900	0	F21	42710-KKC4-900	2	F08
35000			37801-GGA7-701	1	F10	42753-KNBN-90A	0	F08
			37802-GGA7-701	2	F10	42753-KNBN-90B	1	F08
			3780A-KKC4-900	1	F10	42753-KXCX-900	1	F07
35101-KHC4-305	5	F19	38000			43000		
35101-KHC4-305-M2	0	F19						
35102-KHC4-900	2	F19						
35102-KHC4-90B	1	F19	3800A-KKC4-900	1	F19	43100-KKC4-900	1	F08
3515A-KKC4-900	1	F03	38110-KKC3-90B	2	F19	43105-KKC4-305	0	F08

PART NO. INDEX

PART NO.	VERSION	PAGE	PART NO.	VERSION	PAGE	PART NO.	VERSION	PAGE
43107-KKC4-900	0	F08	44830-KKC4-900	3	F02	45530-KFC8-E00	2	F04
43108-KKC4-900	0	F08	44831-KKC4-900	0	F02	45531-GAR1-951	0	F07
43109-KKC4-900	0	F08				45531-GAR1-951	0	F08
43109-MCA3-007	0	F07	45000					
43115-KKC4-900	0	F08				46000		
43126-KKC4-900	4	F04	45103-MGR7-007	0	F07			
43127-KKC4-900	0	F04	45105-KKC4-305	0	F07	46514-KFBF-900	0	F12
43156-KKC4-900	2	F04	45107-KKC4-900	0	F07			
43209-KKC4-900	0	F08	45109-KKC4-900	0	F07	50000		
43209-MCA3-007	0	F07	45111-KKC4-900	0	F08			
43351-KHE7-E00	3	F08	45115-KKC4-900	0	F07	50100-KKC4-EZ0	3	F20
43352-5H68-004	3	F07	45126-KKC4-900	0	F04	50139-KKC4-800	1	F10
43352-5H68-004	3	F08	45127-KKC4-900	0	F04	50151-KKC4-900	0	F20
43353-4A61-77A	0	F07	45128-KKC4-900	0	F04	50185-KKC4-900	0	F20
43353-4A61-77A	0	F08	45156-KECE-900	2	F06	50186-KKC4-900	0	F20
43416-KKC4-900	3	F18	45200-KKC4-900	2	F07	50191-KKC4-900	0	F20
43530-KKC4-305	1	F04	45203-KKC4-900	0	F07	50197-KKC4-900	1	F10
44000			45203-KKC4-900	0	F08	50301-KGN7-671	2	F20
			45207-KKC4-900	0	F07	50302-2H68-011	2	F20
			45208-KKC4-900	0	F07	50306-1F96-001	0	F06
44301-KXCX-900	4	F07	45209-KFA6-900	0	F07	50326-KKC4-900	0	F11
44311-KEBE-900	0	F07	45210-KKC4-900	0	F07	50328-KNBN-200	0	F11
44620-KHD8-900	1	F07	45351-KHE7-E00	1	F07	5032A-KKC4-900	0	F11
44650-KHD8-30A	3	F07	45513-GLW0-91A	0	F04	50350-KKC4-E00	0	F20
44710-KKC4-900	3	F07	45513-KXCX-M00	1	F04	50352-GFY6-901	0	F20
44800-KFA5-900	2	F07	45517-KFAF-910	0	F04	50353-KGN7-901	0	F20

PART NO. INDEX

PART NO.	VERSION	PAGE	PART NO.	VERSION	PAGE	PART NO.	VERSION	PAGE
50356-KHE7-E00	0	F20	5150A-KKC4-900	3	F06	53212-2L50-011	1	F06
50364-KKC4-E00	0	F20	51520-KKC4-900	0	F22	53214-2L50-001	0	F06
50502-GFY6-901	3	F15				53214-KKC4-900	0	F05
50504-KKC4-900	2	E01	52000			53215-2L50-001	0	F06
50505-KHE7-E00	0	F15				53224-KKC4-900	0	F05
50506-KHE7-E00	0	F15	52000-KKC4-900	2	F16			
5050A-KKC4-900	1	F15	52400-KKC4-900	3	F16	61000		
50530-KKC4-900	1	F15						
50550-KEB7-E00	1	F15	53000			61110-KHD8-900	2	F06
50613-KKC4-900	1	F20						
5061A-KKC3-900	1	F20	53100-KKC4-900	0	F03	64000		
51000			53105-KFC8-900	2	F03			
			53106-KFC8-900	2	F03	64220-KKC4-900	1	F05
			53125-GEN5-901	0	F03	64221-KKC4-900	0	F05
51400-KKC4-900	2	F06	53140-KKC4-900	0	F03	64222-KKC4-900	3	F05
51401-KHD8-900	0	F22	53166-KGB5-900	0	F03	64301-KKC4-900	0	F05
51410-KHD8-900	0	F22	53175-KFA5-E10	0	F04	64302-KKC4-900	0	F05
51411-KHD8-900	0	F22	53178-KFC8-E10	0	F04	64305-KKC4-900	2	F05
51412-KHD8-900	0	F22	53200-KKC2-900	2	F06	64306-KKC4-900	2	F05
51413-KHD8-900	0	F22	53204-KKC4-900	2	F05	64309-KKC4-900	0	F05
51420-KKC4-900	0	F22	53205-KKC4-900	2	F03	64310-KKC4-900	0	F05
51422-KKC4-900	0	F22	53206-KKC4-900	1	F03	64311-KKC4-900	3	F05
51423-KKAK-900	0	F22	53207-KKC4-900	0	F03	64312-KKC4-900	3	F05
51427-KKAK-900	0	F22	53208-KKC4-900	0	F03	64315-KKC4-900	4	F20
51428-KKAK-900	0	F22	53209-KKC4-900	0	F03	64317-KKC4-900	1	F05
51429-KHD8-900	0	F22	53211-GFY6-940	1	F06	64318-KKC4-900	0	F21

PART NO. INDEX

PART NO.	VERSION	PAGE	PART NO.	VERSION	PAGE	PART NO.	VERSION	PAGE
64320-KKC4-900	0	F05						
64321-KKC4-900	3	F05	81000			86000		
64322-KKC4-900	1	F05						
64327-KKC4-900	1	F02	81131-KKC4-900	0	F05	86030-KKC4-900	2	F25
64400-KKC4-900	0	F05	81132-KEB7-900	1	F05	86102-KKC4-900	1	F05
77000			81136-KKC4-900	0	F05	86202-KKC4-900	1	F25
			81137-KKC4-900	0	F05	86212-KKC4-900	0	F25
			81147-KKC4-900	0	F05			
77200-KKC4-E01	1	F09	81151-KKC4-900	0	F12	87000		
77210-KKC4-900	0	F09	81201-KKC4-900	1	F12			
77220-KKC4-910	1	F09	81202-KKC4-900	0	F12	87140-KHE7-E00	1	F25
77235-KKC4-900	0	F12	8120A-KKC4-900	6	F12	87311-KKD6-E00	1	F25
77240-KKC4-900	1	F12	81255-KKC4-900	0	F12	87501-KRDR-E00	2	F24
77300-KKC4-900	3	F09	81257-KKC4-800	1	F12	87505-KHE7-E00	1	F24
77305-KKC4-900	1	F09	81260-KKC4-900	1	F12	87508-KKC4-E00	1	F05
80000			81400-KKC4-900	0	F12	87512-KEBE-E00	0	F24
			81500-KKC4-900	0	F12	87541-GAR1-E00	1	F24
			83000			87541-KKC2-E00	1	F24
80100-KKC4-900	4	F18				87542-GAR1-E00	2	F24
80101-KKC4-900	1	F18				87560-GFY6-E00	3	F24
80102-KKC4-900	2	F18	83500-KKC4-900	0	F12	88000		
80105-KKC4-900	3	F18	83600-KKC4-900	1	F12			
80106-KKC4-900	0	F18	8360A-KKC4-900	0	F13			
80151-KKC4-900	0	F12	83750-KKC4-900	2	F12	88110-KKC4-305	0	F03
			8376A-KEBE-900	4	F05	88114-KKC4-900	3	F03
						88115-KKC4-900	0	F03

PART NO. INDEX

PART NO.	VERSION	PAGE	PART NO.	VERSION	PAGE	PART NO.	VERSION	PAGE
88116-KKC4-900	3	F03	90105-KCR3-001	1	F07	90201-KHR8-75A	1	E06
88120-KKC4-305	0	F03	90105-KCR3-001	1	F08	90202-1G87-001	0	E05
88125-KKC4-900	0	F03	90105-KEC8-900	0	F12	90206-0A01-001	2	E02
88126-KKC4-900	3	F03	90105-KGN7-671	1	F20	90215-GLM0-910	1	F14
88130-KKC4-900	0	F03	90105-KNBN-901	0	F12	90215-KKC4-900	1	F12
88135-KKC4-900	1	F03	90106-GEN5-901	0	F03	90301-6D34-671	1	F18
			90106-KFC2-900	0	F03	90301-GFY6-901	2	F14
89000			90106-KFC2-900	0	F12	90302-GBR2-001	1	F05
			90106-KHE7-E00	0	F20	90302-GBR2-001	1	F21
89010-KKC4-900	0	F09	90106-KKC4-900	0	F12	90302-GFY6-901	1	F03
89013-KFC8-E00	1	F09	90108-KKC4-900	1	F15	90302-GFY6-901	1	F05
89020-KKC4-900	1	F09	90110-KEB7-900	1	F06	90302-GFY6-901	1	F21
			90110-KHD8-900	0	F14	90302-GFY6-940	1	F02
90000			90111-1G87-001	1	F12	90302-GFY6-940	1	F05
			90112-KNBN-901	1	F11	90302-GFY6-940	1	F12
90001-GBHB-661	2	E03	90112-KNBN-901	1	F18	90302-GFY6-940	1	F18
90001-GBHB-661	2	E06	90114-1F66-007	2	F04	90302-KEC8-900	1	F03
90005-KEC8-900	3	E03	90114-GDM4-011	2	F13	90302-KFC2-900	1	F18
90012-3C33-001	1	E02	90116-KHD8-900	0	F22	90302-SDA4-004	2	F05
90021-GFY6-900	2	F14	90121-KHE7-E00	0	F20	90302-SDA4-004	2	F12
90031-KEBE-900	0	E01	90122-KEBE-900	2	F07	90304-4H38-001	2	E02
90032-KEBE-900	0	E01	90131-GLW0-911	0	F08	90304-GHE8-004	0	F03
90033-GFY6-900	0	E02	90131-KFAF-900	2	F16	90304-GHE8-004	0	F20
90071-MLB0-001	0	E06	90145-MKS9-61A	1	F04	90305-GHK8-001	1	F12
90084-4H28-001	0	E04	90201-KHE7-900	1	E05	90305-KFW6-900	1	F08
9008A-KHE7-900	0	E04	90201-KHR8-75A	1	E05	90306-GLW0-90A	1	F07

PART NO. INDEX

PART NO.	VERSION	PAGE	PART NO.	VERSION	PAGE	PART NO.	VERSION	PAGE
90381-GEZ5-001	1	F12				91351-KHE7-900	0	E05
90401-KKJ9-001	0	E05	91000			91407-SGA7-004	0	F13
90401-KKJ9-001	0	E06				91508-KGV7-67A	0	F18
90423-KKJ9-001	0	E04	91001-KHE7-900	0	E03			
90441-GFY6-941	0	E05	91001-KHE7-90A	0	E03	92000		
90465-MDC4-001	0	E02	91001-KKJ9-006	0	E04			
90474-3C33-001	1	E01	91002-GGA7-70A	0	E05	92101-05032-0H	0	E06
90478-7L00-001	0	E02	91003-KHE7-900	0	E01	92712-06028-0B	2	E02
90478-7L00-001	0	E04	91003-KHE7-90A	0	E01	92900-06050-0B	0	E02
9052A-GFY6-950	3	E01	91004-KHE7-900	1	E05			
90544-KEC8-900	0	F22	91009-KHE7-900	0	E07	93000		
90545-3L00-001	2	F04	91201-KKJ9-004	0	E04			
90605-1F66-721	0	E05	91202-KHE7-900	0	E01	93404-06016-06	0	F05
90652-GFY6-901	1	E02	91202-KKC4-900	0	E01	93404-06016-06	0	F18
90652-KHE7-900	0	F13	91202-KKC4-90B	1	E01	93404-06016-06	0	F19
90656-KCBC-900	0	F03	91202-LHG7-E00	1	E01	93404-06016-06	0	F21
90656-KUDU-900	0	F19	91211-KHE7-900	0	E05	93404-06020-06	1	F05
90677-GAR1-004	1	F05	91255-KHE7-900	0	E07	93404-KKC2-900	1	F05
90677-GAR1-004	1	F18	91301-KHE7-900	0	E02	93500-03010-1A	0	E06
90754-GHC8-00A	1	F07	91302-0A01-021	0	E04	93500-04008-1H	0	E08
90912-KFLF-00A	0	F07	91302-2L00-001	0	E02	93500-04010-1H	0	E08
90912-KFLF-00D	0	F07	91302-KHE7-900	0	E04	93500-04012-0H	0	F12
90913-KKC4-900	0	F21	91303-3G77-001	0	E04	93500-04012-1H	0	E08
90915-KKC4-900	1	F02	91306-1E05-691	0	E03	93500-04020-0G	0	F19
			91307-0E35-001	0	E04	93500-05016-0H	0	E02
			91309-4E25-004	0	E06	93500-05016-0H	0	E06

PART NO. INDEX

PART NO.	VERSION	PAGE	PART NO.	VERSION	PAGE	PART NO.	VERSION	PAGE
93500-05016-1B	0	F03	93903-35220	0	F13	94111-06800	0	F14
93500-05025-1B	0	F03	93903-35360	0	F01	94251-08400	0	F07
93500-05032-1B	0	F03	93903-35360	0	F03	94251-08400	0	F08
93500-05045-1B	0	F03	93903-35360	0	F12	94251-08400	0	F15
93500-KHC4-90A	0	F19	93903-45360	0	E01	94301-08140	0	E04
93600-04012-1G	0	F04	93903-GFY6-900	1	F05	94301-10160	0	E01
93700-05018-0H	0	F02	93903-GFY6-900	1	F11	94301-10160	0	E02
93891-05012-06	0	F05	93903-GFY6-900	1	F12	94301-10160	0	E03
93891-05016-08	0	F13	93903-KEB7-900-06	1	F05	94301-10160	0	E04
93891-05030-07	0	F18	93903-KEB7-900-06	1	F18	94301-10160	0	E07
93892-04008-18	0	E08				94303-04065	0	E06
93893-04012-18	0	F04	94000			94401-25140	4	E03
93901-32220	0	F17				94510-10000	0	E06
93901-32310	0	F17	94050-05080	0	F18	94510-25000	0	E07
93901-34220	0	F17	94050-06080	0	E02	94520-26000	0	E04
93901-34320	0	F18	94050-06080	0	F04	94520-28000	0	E05
93903-25460	0	F13	94050-06080	0	F05	94591-27000	0	F05
93903-34360	0	F03	94050-06080	0	F09	94591-KFBF-900	2	E02
93903-34360	0	F05	94050-06080	0	F10	94601-17000	0	E03
93903-34360	0	F12	94050-06080	0	F11	94601-33000	0	E05
93903-34360	0	F13	94050-06080	0	F19	94605-KHD8-900	0	F22
93903-34360	0	F17	94050-06080	0	F21	94608-30000	0	F22
93903-34360	0	F18	94050-08080	0	E02			
93903-34360	0	F20	94050-08080	0	F19	95000		
93903-34360	0	F21	94101-06700	0	F14			
93903-35220	0	F10	94101-08600	0	F15	95001-35225-40	0	F21

PART NO. INDEX

PART NO.	VERSION	PAGE	PART NO.	VERSION	PAGE	PART NO.	VERSION	PAGE
95002-02070	0	F10	95701-06012-08	0	F21	96001-06012-08	0	E06
95002-02070	0	F21	95701-06014-08	0	F10	96001-06014-08	0	F10
95002-02070	0	F23	95701-06016-02	0	E01	96001-06016-08	0	E01
95002-02080	0	E07	95701-06016-06	1	F21	96001-06018-02	0	E04
95002-02080	0	F10	95701-06016-08	0	F21	96001-06018-08	0	E02
95002-02100	0	F10	95701-06022-06	1	F04	96001-06022-08	0	E04
95002-02100	0	F21	95701-06025-08	0	E02	96001-06028-08	0	E04
95002-02130	0	F10	95701-06040-08	0	E02	96001-06028-08	0	E06
95002-02130	0	F13	95701-08012-08	0	E01	96001-06032-08	0	E01
95002-02150	0	F13	95701-08012-08	0	F20	96001-06045-08	0	E04
95002-50000	0	F02	95701-08020-08	0	F07	96001-06050-08	0	E01
95002-70000	0	F21	95701-08035-08	0	E07	96001-06100-08	0	E02
95002-KGN7-910	1	E04	95701-08050-08	0	F20	96001-06125-08	0	E04
95002-KGN7-910	1	F21	95701-KHC5-E00	3	F19	96100-60000-00	0	E04
95002-KHE7-900	0	E02	95801-08030-08	0	E07	96100-63020-00	0	E01
95002-KHE7-900	0	E04	95801-08040-08	0	F06	96100-63020-00	0	E07
95002-KHE7-900	0	F21	95801-08042-06	0	F14	96100-63040-00	1	E01
9500B-KBE2-700	0	F23	95801-10025-08	0	F15	96150-62040-10	0	F16
95014-72204	0	F15	95801-10035-08	0	F16	96211-05000	0	F06
95701-06012-08	0	F01	95801-10070-06	1	F14	96211-08000	0	F06
95701-06012-08	0	F04				96220-20118	0	E03
95701-06012-08	0	F06	96000			96600-08015-10	1	E06
95701-06012-08	0	F10				96600-KKC4-900	0	F07
95701-06012-08	0	F11	96001-06008-07	0	F14	96600-KKC4-900	0	F08
95701-06012-08	0	F12	96001-06010-08	0	E04			
95701-06012-08	0	F20	96001-06010-08	0	F14			

PART NO. INDEX

PART NO.	VERSION	PAGE	PART NO.	VERSION	PAGE	PART NO.	VERSION	PAGE
98000			S					
98069-5791R-00	0	E02	S7860-112-B000	0	E08			
98200-31000	1	F11						
98200-31000	1	F19	W					
98200-31500	0	F11						
98200-31500	0	F19	W1470-MW0-7500	0	E08			
98200-33000	0	F11	W9353-36000	0	E08			
98200-33000	0	F19	W9525-25250	0	E08			
99000			Y					
99101-116-1020	0	E08	Y1901-002-0200	0	E08			
K			Z					
K350-018-1210	0	E08	Z062-0060	0	E08			
K446-002-0100	0	E08						
N								
N413-17E00	0	E08						
N424-51B38	0	E08						
N425-7AG01	0	E08						
N426-33B00	0	E08						