

PARTS CATALOGUE



SCOOTERS

SH25DB(GR)

GRAND DINK 125



Release Date : 2013/09/15
Print Date : 2013/10/12

ABOUT THIS PARTS LIST

- This parts list is compiled all service parts for model SH25DB(GR).
- Any difference between color chart and motorcycle will be revised according to motorcycle.
- The Mark:
 1. Marking "***" must add color code in the end before ordering parts.
 2. Marking "#" are parts with modification, Please find the details from e-Parts system.
- When modification or additions to this parts list are made a revised edition at an appropriate time.

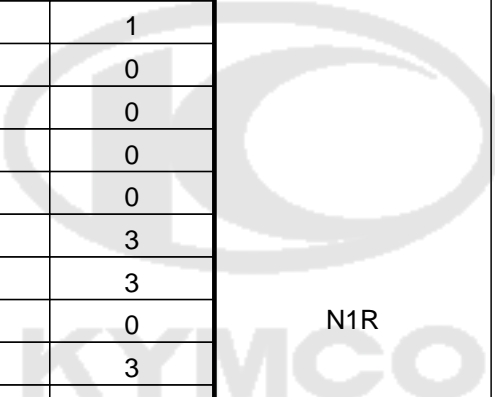


CONTENTS

● ABOUT THIS PARTS LIST	1
● COLOR CHART OF SH25DB(GR)	3
● CONTENTS-ENGINE GROUP	12
● CONTENTS-FRAME GROUP	13
● ENGINE PARTS LIST	16
● FRAME PARTS LIST	54
● PART NO. INDEX	132

NO	MODEL			COLOR CHART OF SH25DB(GR)						
	PHOTO NO			NO. 1	NO. 2	NO. 3	NO. 4			
	BASIC COLOR			Deep Blue Metallic		Bright Silver				
	CODE			Deep Blue Metallic		Bright Silver				
	PARTS NAME	PARTS NO.	VERSION	PB183MA	NH045MA	NH045MA	NH124MA			
1	CUSHION ASSY R RR	52400-KKC2-E00	2	F1S						
2	CUSHION ASSY L RR	52500-KKC2-E00	3							
3	LEVER R STRG HNDL	53175-KFA5-E10	0	M3A						
4	LEVER L STRG HANDLE	53178-KFC8-E10	0							
5	COVER WATER PUMP	19221-KKC3-900	2	M9A						
6	BRACKET RR	43210-KEBE-900	2							
7	COVER BATTERY	50326-KKC4-900	0	N1A						
8	COVER METER	53204-KKC4-900	2							
9	COVER R HANDLE LOW	53206-KKC4-900	1	N1R						
10	COVER L HANDLE LOW	53207-KKC4-900	0							
11	GRID R METER COVER	53214-KKC4-900	0							
12	GRID L METER COVER	53224-KKC4-900	0							
13	FLOOR PANEL	64310-KKC4-900	0							
14	COVER R PILLION STEP	64311-KKC4-900	3							
15	GRID R PILLION STEP	64312-KKC4-900	3							
16	MAT FLOOR	64320-KKC4-900	0							
17	COVER L PILLION STEP	64321-KKC4-900	3							
18	GRID L PILLION STEP	64322-KKC4-900	1							
19	FENDER RR TIRE	80100-KKC4-900	4							
20	COVER CENTER	80151-KKC4-900	0							
21	LEG SHIELD	81131-KKC4-900	0							
22	LID LEG SHIELD	81132-KEB7-900	1							
23	LID RESERVE TANK	81136-KKC4-900	0							
24	GRID R LEG SHIELD	81137-KKC4-900	0							
25	GRID L LEG SHIELD	81147-KKC4-900	0							
DATE OF STARTING-SALES										
DATE OF END-SALES										

NO	MODEL			COLOR CHART OF SH25DB(GR)			
	PHOTO NO			NO. 5	NO. 6	NO. 7	NO. 8
	BASIC COLOR			Dark Gray Metallic	Deep Silver Metallic	Ruby Red	
	CODE			Dark Gray Metallic	Deep Silver Metallic	Ruby Red	
	PARTS NAME	PARTS NO.	VERSION	NH124MA	NH232MA	RR004CA	RR004CA
1	CUSHION ASSY R RR	52400-KKC2-E00	2	F1S			
2	CUSHION ASSY L RR	52500-KKC2-E00	3				
3	LEVER R STRG HNDL	53175-KFA5-E10	0				
4	LEVER L STRG HANDLE	53178-KFC8-E10	0				
5	COVER WATER PUMP	19221-KKC3-900	2				
6	BRACKET RR	43210-KEBE-900	2				
7	COVER BATTERY	50326-KKC4-900	0	M3A			
8	COVER METER	53204-KKC4-900	2				
9	COVER R HANDLE LOW	53206-KKC4-900	1				
10	COVER L HANDLE LOW	53207-KKC4-900	0				
11	GRID R METER COVER	53214-KKC4-900	0				
12	GRID L METER COVER	53224-KKC4-900	0				
13	FLOOR PANEL	64310-KKC4-900	0				
14	COVER R PILLION STEP	64311-KKC4-900	3				
15	GRID R PILLION STEP	64312-KKC4-900	3				
16	MAT FLOOR	64320-KKC4-900	0				
17	COVER L PILLION STEP	64321-KKC4-900	3				
18	GRID L PILLION STEP	64322-KKC4-900	1				
19	FENDER RR TIRE	80100-KKC4-900	4				
20	COVER CENTER	80151-KKC4-900	0				
21	LEG SHIELD	81131-KKC4-900	0				
22	LID LEG SHIELD	81132-KEB7-900	1				
23	LID RESERVE TANK	81136-KKC4-900	0				
24	GRID R LEG SHIELD	81137-KKC4-900	0				
25	GRID L LEG SHIELD	81147-KKC4-900	0	N1R			
DATE OF STARTING-SALES							
DATE OF END-SALES							

NO	MODEL			COLOR CHART OF SH25DB(GR)				
	PHOTO NO			NO. 9				
	BASIC COLOR			Yellow Green				
	CODE			Yellow Green				
	PARTS NAME	PARTS NO.	VERSION	YG025MA				
1	CUSHION ASSY R RR	52400-KKC2-E00	2	F1S				
2	CUSHION ASSY L RR	52500-KKC2-E00	3					
3	LEVER R STRG HNDL	53175-KFA5-E10	0	M3A				
4	LEVER L STRG HANDLE	53178-KFC8-E10	0					
5	COVER WATER PUMP	19221-KKC3-900	2	M9A				
6	BRACKET RR	43210-KEBE-900	2	N1A				
7	COVER BATTERY	50326-KKC4-900	0	 N1R				
8	COVER METER	53204-KKC4-900	2					
9	COVER R HANDLE LOW	53206-KKC4-900	1					
10	COVER L HANDLE LOW	53207-KKC4-900	0					
11	GRID R METER COVER	53214-KKC4-900	0					
12	GRID L METER COVER	53224-KKC4-900	0					
13	FLOOR PANEL	64310-KKC4-900	0					
14	COVER R PILLION STEP	64311-KKC4-900	3					
15	GRID R PILLION STEP	64312-KKC4-900	3					
16	MAT FLOOR	64320-KKC4-900	0					
17	COVER L PILLION STEP	64321-KKC4-900	3					
18	GRID L PILLION STEP	64322-KKC4-900	1					
19	FENDER RR TIRE	80100-KKC4-900	4					
20	COVER CENTER	80151-KKC4-900	0					
21	LEG SHIELD	81131-KKC4-900	0					
22	LID LEG SHIELD	81132-KEB7-900	1					
23	LID RESERVE TANK	81136-KKC4-900	0					
24	GRID R LEG SHIELD	81137-KKC4-900	0					
25	GRID L LEG SHIELD	81147-KKC4-900	0					
DATE OF STARTING-SALES								
DATE OF END-SALES								

NO	MODEL			COLOR CHART OF SH25DB(GR)			
	PHOTO NO			NO. 1	NO. 2	NO. 3	NO. 4
	BASIC COLOR			Deep Blue Metallic		Bright Silver	
	CODE			Deep Blue Metallic		Bright Silver	
	PARTS NAME	PARTS NO.	VERSION	PB183MA	NH045MA	NH045MA	NH124MA
26	SIDE R GRIP	81400-KKC4-900	0	N1R			
27	SIDE L GRIP	81500-KKC4-900	0				
28	BAND HARNESS WIRE	90656-KUDU-900	0				
29	DISK RR BRAKE	43351-KHE7-E00	3	N1S			
30	COVER L	11341-KKC3-900	7	N8A			
31	METER COVER FR	37203-KKC3-900	0	N8P			
32	METER COVER RR	37204-KKC3-900	0				
33	COVER HNDL UP	53205-KKC4-900	2				
34	GRILL HANDLE UP	53208-KKC4-900	0				
35	FENDER FR	61110-KHD8-900	2	BHP			NFP
36	COVER SCREEN	64301-KKC4-900	0				
37	MOLDING FR	64302-KKC4-900	0				
38	SKIRT R SIDE	64305-KKC4-900	2				
39	SKIRT L SIDE	64306-KKC4-900	2				
40	COWL UNDER	64400-KKC4-900	0				
41	COVER R BODY	83500-KKC4-900	0				
42	COVER L BODY	83600-KKC4-900	1				
43	COVER RR CENTER	83750-KKC4-900	2				
44	MIRROR ASSY R BACK	88110-KKC3-900	4				
45	MIRROR ASSY L BACK	88120-KKC3-900	4	NJA			
46	WHEEL COMP RR CAST	42601-KHD8-90A	3				
47	WHEEL RR CAST	42601-KHD8-90B	2				
48	WHEEL RR CAST	42601-KHD8-90C	2				
49	CALIPER ASSY RR	43100-KEBE-910	1				
50	WHEEL SET FR	44650-KHD8-30A	3				
DATE OF STARTING-SALES							
DATE OF END-SALES							

NO	MODEL			COLOR CHART OF SH25DB(GR)			
	PHOTO NO			NO. 5	NO. 6	NO. 7	NO. 8
	BASIC COLOR			Dark Gray Metallic	Deep Silver Metallic	Ruby Red	
	CODE			Dark Gray Metallic	Deep Silver Metallic	Ruby Red	
	PARTS NAME	PARTS NO.	VERSION	NH124MA	NH232MA	RR004CA	RR004CA
26	SIDE R GRIP	81400-KKC4-900	0	N1R			
27	SIDE L GRIP	81500-KKC4-900	0				
28	BAND HARNESS WIRE	90656-KUDU-900	0				
29	DISK RR BRAKE	43351-KHE7-E00	3	N1S			
30	COVER L	11341-KKC3-900	7	N8A			
31	METER COVER FR	37203-KKC3-900	0	N8P			
32	METER COVER RR	37204-KKC3-900	0				
33	COVER HNDL UP	53205-KKC4-900	2				
34	GRILL HANDLE UP	53208-KKC4-900	0				
35	FENDER FR	61110-KHD8-900	2				
36	COVER SCREEN	64301-KKC4-900	0				
37	MOLDING FR	64302-KKC4-900	0	NFP NZP R1P			
38	SKIRT R SIDE	64305-KKC4-900	2				
39	SKIRT L SIDE	64306-KKC4-900	2				
40	COWL UNDER	64400-KKC4-900	0				
41	COVER R BODY	83500-KKC4-900	0				
42	COVER L BODY	83600-KKC4-900	1				
43	COVER RR CENTER	83750-KKC4-900	2				
44	MIRROR ASSY R BACK	88110-KKC3-900	4				
45	MIRROR ASSY L BACK	88120-KKC3-900	4				
46	WHEEL COMP RR CAST	42601-KHD8-90A	3				
47	WHEEL RR CAST	42601-KHD8-90B	2				
48	WHEEL RR CAST	42601-KHD8-90C	2				
49	CALIPER ASSY RR	43100-KEBE-910	1				
50	WHEEL SET FR	44650-KHD8-30A	3				
DATE OF STARTING-SALES							
DATE OF END-SALES							

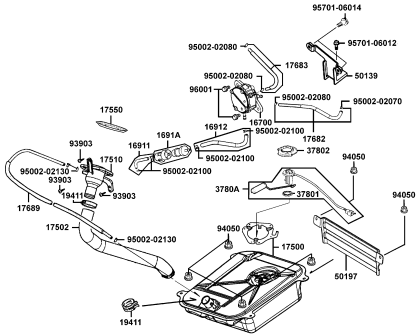
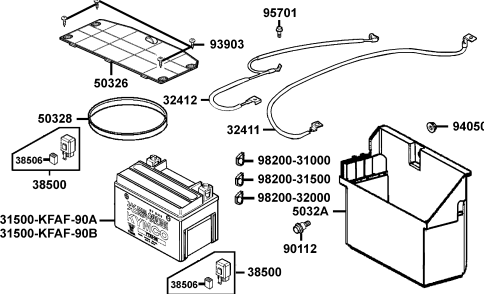
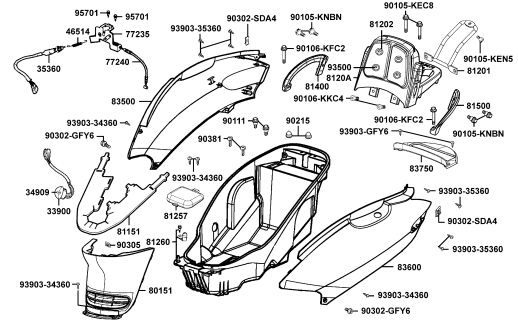
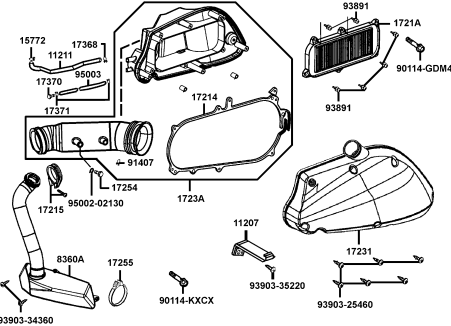
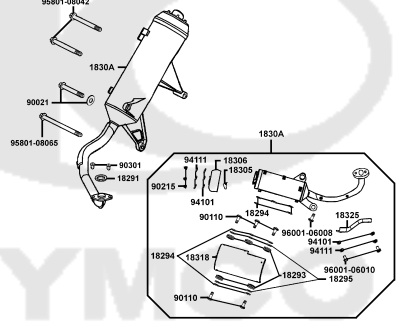
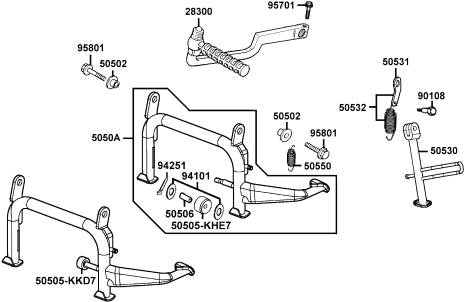
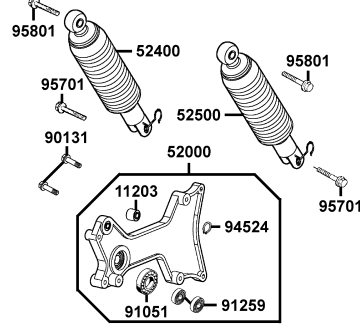
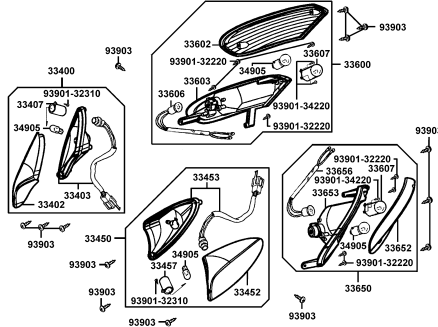
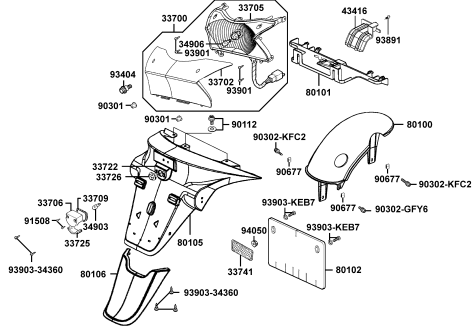
NO	MODEL			COLOR CHART OF SH25DB(GR)			
	PHOTO NO			NO. 9			
	BASIC COLOR			Yellow Green			
	CODE			Yellow Green			
	PARTS NAME	PARTS NO.	VERSION	YG025MA			
26	SIDE R GRIP	81400-KKC4-900	0	N1R			
27	SIDE L GRIP	81500-KKC4-900	0				
28	BAND HARNESS WIRE	90656-KUDU-900	0				
29	DISK RR BRAKE	43351-KHE7-E00	3	N1S			
30	COVER L	11341-KKC3-900	7	N8A			
31	METER COVER FR	37203-KKC3-900	0	N8P			
32	METER COVER RR	37204-KKC3-900	0				
33	COVER HNDL UP	53205-KKC4-900	2				
34	GRILL HANDLE UP	53208-KKC4-900	0				
35	FENDER FR	61110-KHD8-900	2				
36	COVER SCREEN	64301-KKC4-900	0				
37	MOLDING FR	64302-KKC4-900	0	W3P			
38	SKIRT R SIDE	64305-KKC4-900	2				
39	SKIRT L SIDE	64306-KKC4-900	2				
40	COWL UNDER	64400-KKC4-900	0				
41	COVER R BODY	83500-KKC4-900	0				
42	COVER L BODY	83600-KKC4-900	1	NJA			
43	COVER RR CENTER	83750-KKC4-900	2				
44	MIRROR ASSY R BACK	88110-KKC3-900	4				
45	MIRROR ASSY L BACK	88120-KKC3-900	4				
46	WHEEL COMP RR CAST	42601-KHD8-90A	3	NJA			
47	WHEEL RR CAST	42601-KHD8-90B	2				
48	WHEEL RR CAST	42601-KHD8-90C	2				
49	CALIPER ASSY RR	43100-KEBE-910	1				
50	WHEEL SET FR	44650-KHD8-30A	3				
DATE OF STARTING-SALES							
DATE OF END-SALES							

NO	MODEL			COLOR CHART OF SH25DB(GR)			
	PHOTO NO			NO. 1	NO. 2	NO. 3	NO. 4
	BASIC COLOR			Deep Blue Metallic		Bright Silver	
	CODE			Deep Blue Metallic		Bright Silver	
	PARTS NAME	PARTS NO.	VERSION	PB183MA	NH045MA	NH045MA	NH124MA
51	WHEEL SET FR	44650-KHD8-30C	4	NJA			
52	CALIPER ASSY FR	45200-KKC2-E00	1				
53	FORK ASSY R FR	51400-KKC4-900	2				
54	BOTTOM CASE R	51420-KKC4-900	0				
55	FORK SET L FR	5150A-KKC4-900	3				
56	BOTTOM CASE L	51520-KKC4-900	0				
57	FORK ASSY REAR	52000-KKC3-900	3				
58	CARRIER ASSY RR	8120A-KKC4-900	6				
59	SEAT ASSY	77200-KKC4-E01	1				
60	SEAT ASSY BACK	77210-KKC4-900	0				
61	SEAT ASSY PAD	77220-KKC4-910	1				
62	EMB HANDLE COVER	86030-KKC4-900	2				
63	EMB K-LOGO 30MM	86102-KFA6-E00	2				
64	EMB BODY COVER	86202-KKC4-900	1				
65	EMB B BODY COVER	86212-KHD4-E00	1				
66	EMB B BODY COVER	86212-KKC4-900	0				
67	CAUTION ANTI	87224-KKC1-EZ0	1				
68	STRIPE MARK EURO2	87311-KKD6-E00	1				
69	LABEL TIRE	87505-KHE7-E00	1				
70	CAUTION FILTER	87512-KEBE-E00	0				
71	CAUTION SIDE STAND	87541-GAR1-E00	1				
72	CAUTION MOBILE	87541-KKC2-E00	1				
73	MARK MAINT CAUTION	87542-GAR1-E00	2				
74	MARK DRIVE CAUTION	87560-GFY6-E00	3				
75	LABEL CLEANNESS	87508-KKC4-E00	1	T02			
DATE OF STARTING-SALES							
DATE OF END-SALES							

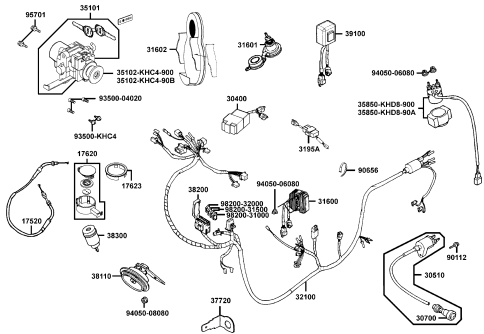
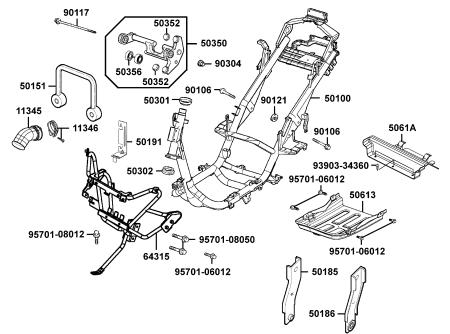
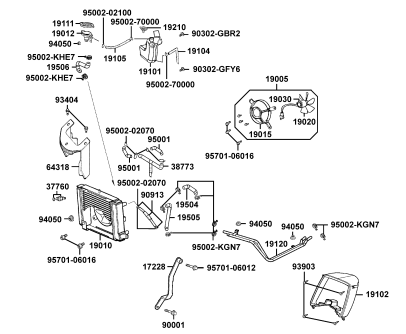
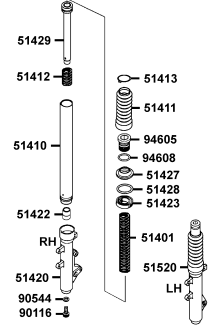
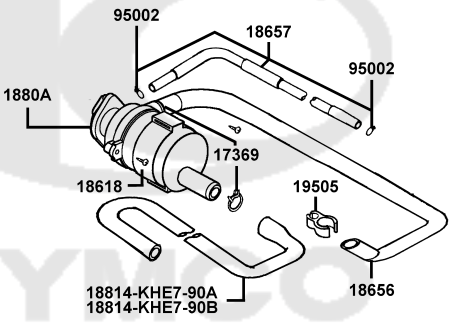
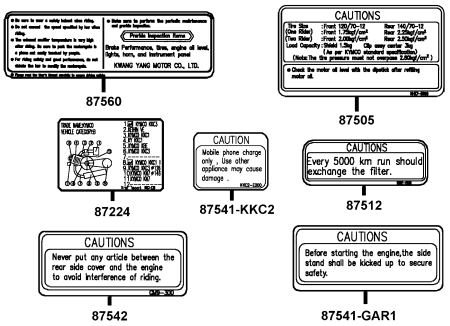

NO	MODEL			COLOR CHART OF SH25DB(GR)			
	PHOTO NO			NO. 5	NO. 6	NO. 7	NO. 8
	BASIC COLOR			Dark Gray Metallic	Deep Silver Metallic	Ruby Red	
	CODE			Dark Gray Metallic	Deep Silver Metallic	Ruby Red	
	PARTS NAME	PARTS NO.	VERSION	NH124MA	NH232MA	RR004CA	RR004CA
51	WHEEL SET FR	44650-KHD8-30C	4	NJA			
52	CALIPER ASSY FR	45200-KKC2-E00	1				
53	FORK ASSY R FR	51400-KKC4-900	2				
54	BOTTOM CASE R	51420-KKC4-900	0				
55	FORK SET L FR	5150A-KKC4-900	3				
56	BOTTOM CASE L	51520-KKC4-900	0				
57	FORK ASSY REAR	52000-KKC3-900	3				
58	CARRIER ASSY RR	8120A-KKC4-900	6				
59	SEAT ASSY	77200-KKC4-E01	1				
60	SEAT ASSY BACK	77210-KKC4-900	0				
61	SEAT ASSY PAD	77220-KKC4-910	1				
62	EMB HANDLE COVER	86030-KKC4-900	2				
63	EMB K-LOGO 30MM	86102-KFA6-E00	2				
64	EMB BODY COVER	86202-KKC4-900	1				
65	EMB B BODY COVER	86212-KHD4-E00	1				
66	EMB B BODY COVER	86212-KKC4-900	0				
67	CAUTION ANTI	87224-KKC1-EZ0	1				
68	STRIPE MARK EURO2	87311-KKD6-E00	1				
69	LABEL TIRE	87505-KHE7-E00	1				
70	CAUTION FILTER	87512-KEBE-E00	0				
71	CAUTION SIDE STAND	87541-GAR1-E00	1				
72	CAUTION MOBILE	87541-KKC2-E00	1				
73	MARK MAINT CAUTION	87542-GAR1-E00	2				
74	MARK DRIVE CAUTION	87560-GFY6-E00	3				
75	LABEL CLEANNESS	87508-KKC4-E00	1	T02			
DATE OF STARTING-SALES							
DATE OF END-SALES							

NO	MODEL			COLOR CHART OF SH25DB(GR)			
	PHOTO NO			NO. 9			
	BASIC COLOR			Yellow Green			
	CODE			Yellow Green			
	PARTS NAME	PARTS NO.	VERSION	YG025MA			
51	WHEEL SET FR	44650-KHD8-30C	4	NJA			
52	CALIPER ASSY FR	45200-KKC2-E00	1				
53	FORK ASSY R FR	51400-KKC4-900	2				
54	BOTTOM CASE R	51420-KKC4-900	0				
55	FORK SET L FR	5150A-KKC4-900	3				
56	BOTTOM CASE L	51520-KKC4-900	0				
57	FORK ASSY REAR	52000-KKC3-900	3				
58	CARRIER ASSY RR	8120A-KKC4-900	6				
59	SEAT ASSY	77200-KKC4-E01	1	T01			
60	SEAT ASSY BACK	77210-KKC4-900	0				
61	SEAT ASSY PAD	77220-KKC4-910	1				
62	EMB HANDLE COVER	86030-KKC4-900	2				
63	EMB K-LOGO 30MM	86102-KFA6-E00	2				
64	EMB BODY COVER	86202-KKC4-900	1				
65	EMB B BODY COVER	86212-KHD4-E00	1				
66	EMB B BODY COVER	86212-KKC4-900	0				
67	CAUTION ANTI	87224-KKC1-EZ0	1				
68	STRIPE MARK EURO2	87311-KKD6-E00	1				
69	LABEL TIRE	87505-KHE7-E00	1				
70	CAUTION FILTER	87512-KEBE-E00	0				
71	CAUTION SIDE STAND	87541-GAR1-E00	1				
72	CAUTION MOBILE	87541-KKC2-E00	1				
73	MARK MAINT CAUTION	87542-GAR1-E00	2				
74	MARK DRIVE CAUTION	87560-GFY6-E00	3				
75	LABEL CLEANNESS	87508-KKC4-E00	1				
DATE OF STARTING-SALES							
DATE OF END-SALES							

CONTENTS - FRAME GROUP

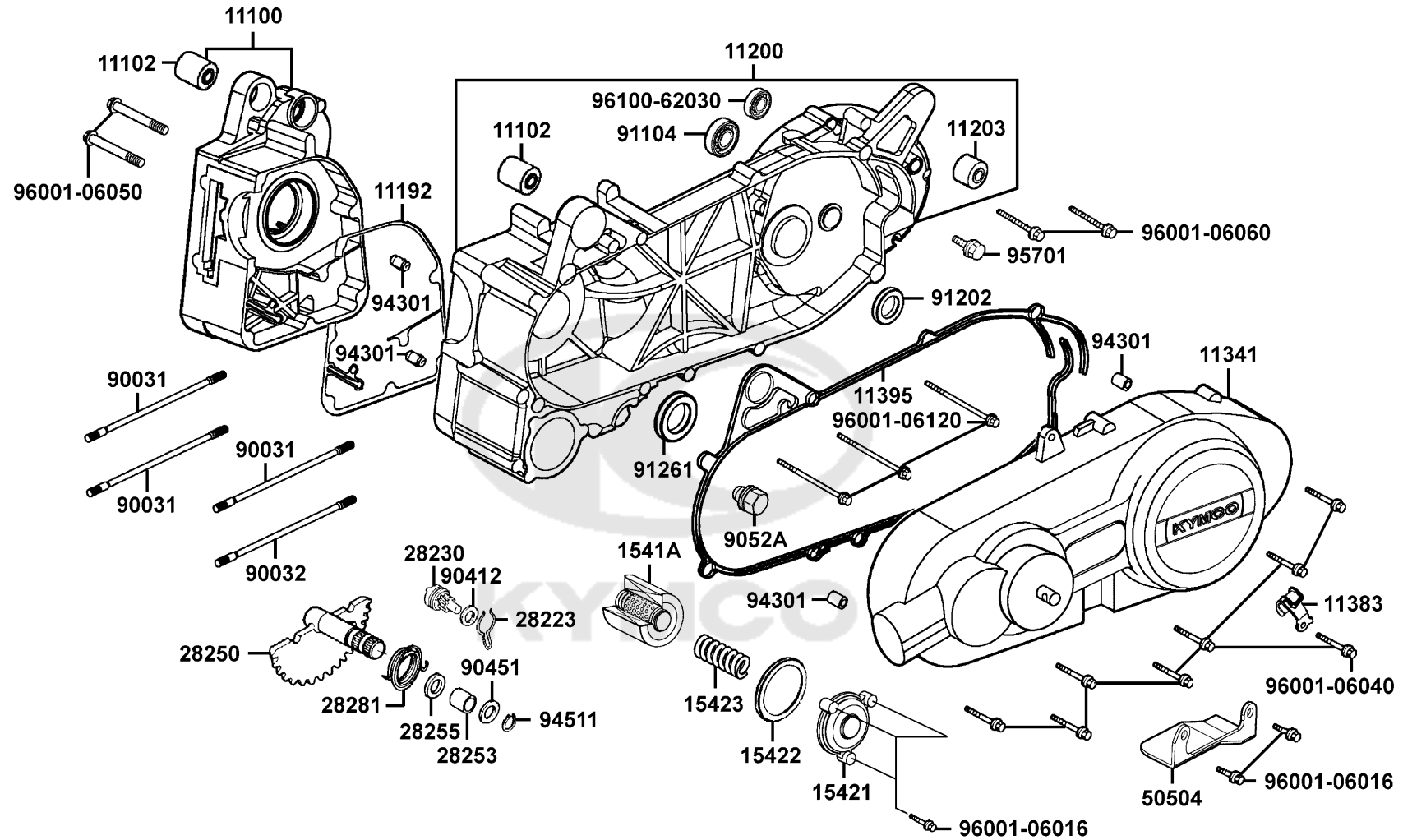
<p>F10 Fuel Tank</p> 	<p>F11 Battery</p> 	<p>F12 Body Cover/Luggage Box</p> 
<p>F13 Air Cleaner</p> 	<p>F14 Exhaust Muffler</p> 	<p>F15 Stand/Kick Starter Arm</p> 
<p>F16 Rear Cushion</p> 	<p>F17 Front Winker RR WINKER</p> 	<p>F18 Rear Light/Rear Fender</p> 

CONTENTS - FRAME GROUP

<p>F19 Wire Harness</p> 	<p>F20 Frame Body</p> 	<p>F21 Radiator</p> 
<p>F22 Separated Parts Of Fr Fork</p> 	<p>F23 Air Cleaner Two</p> 	<p>F24 Caution Label</p> 
<p>F25 Emblem/Stripe</p> 		

E01

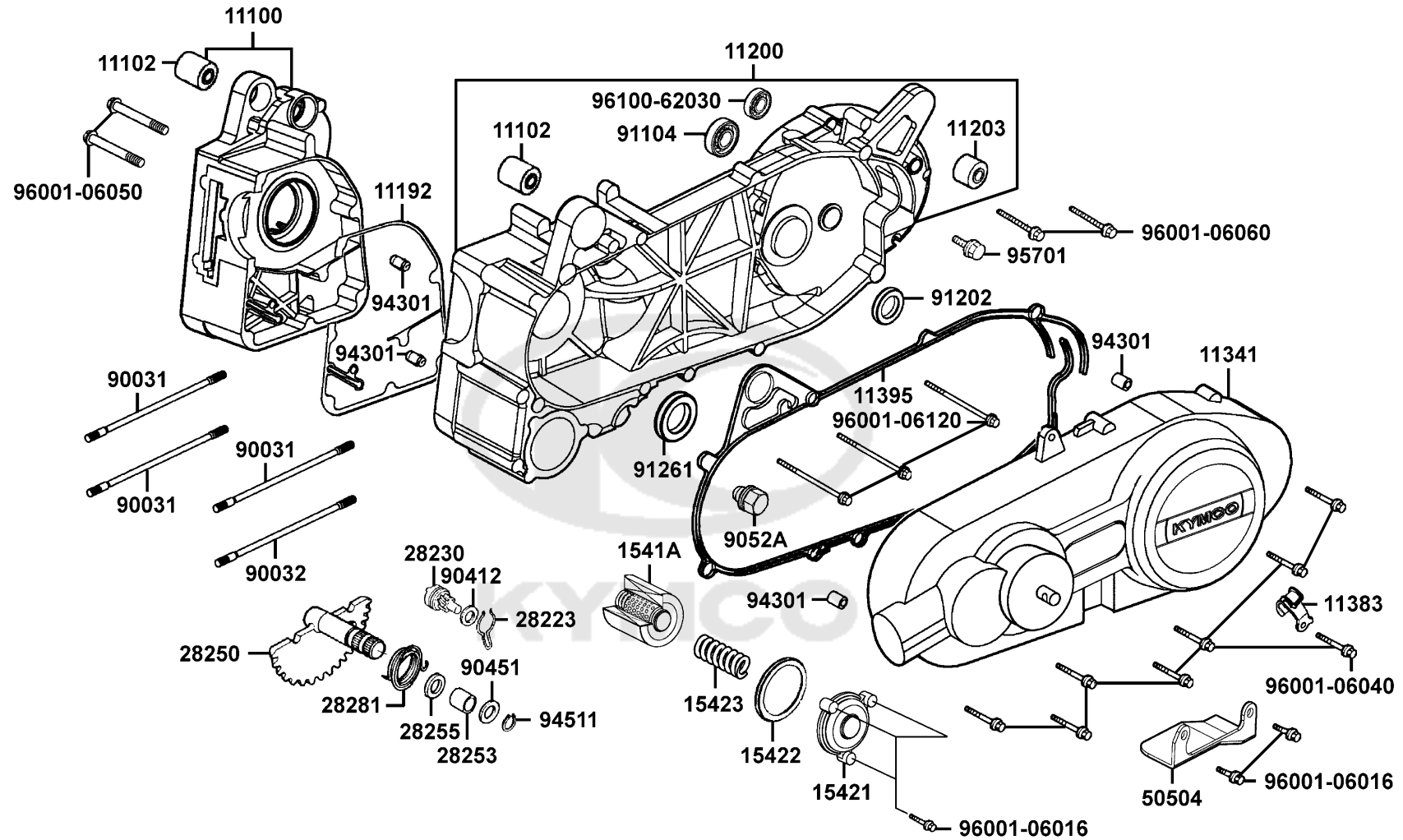
Crank Case



Sales mark	Ref no	Part no	Description	Reg description	Regd no	E01
	11100	11100-KKC1-305	CRANK CASE ASSY R	CRANK CASE ASSY R	1	
	11102	11102-1G87-004	RUB BUSH ENG HANGER	RUB BUSH ENG HANGER	2	
	11192	11192-KKC3-900	GASKET CRANK CASE @	GASKET CRANK CASE @	1	
	11200	11200-KKC3-315	CASE SET L CRANK	CASE SET L CRANK	1	
	11203	11203-GGC7-301	UNDER RUBBER BUSH RR CUSHION	UNDER RUBBER BUSH RR CUSHION	1	
**	11341	11341-KKC3-900	COVER L	COVER L	1	
	11383	11383-KUDU-900	CLAMPER BREATHER DRAIN TUBE	CLAMPER BREATHER DRAIN TUBE	1	
	11395	11395-KKC3-900	GASKET L COVER @	GASKET L COVER @	1	
	1541A	1541A-KKC3-900	ELEMENT ASSY OIL FILTER	ELEMENT ASSY OIL FILTER	1	
	15421	15421-KKC3-900	CAP OIL FILTER	CAP OIL FILTER	1	
	15422	15422-KKC3-900	O RING 53.65*2.62	O RING 53.65*2.62	1	
	15423	15423-KKC3-900	SPRING CAP OIL	SPRING CAP OIL	1	
	28223	28223-KNBN-901	SPG KICK DRIVEN GEAR	SPG KICK DRIVEN GEAR	1	
	28230	28230-KNBN-901	GEAR COMP KICK DRIVEN	GEAR COMP KICK DRIVEN	1	
	28250	28250-KFC8-900	SPINDLE COMP KICK STARTER	SPINDLE COMP KICK STARTER	1	
	28253	28253-GBN2-60A	BUSH KICK SPINDLE	BUSH KICK SPINDLE	1	
	28255	28255-GFS6-001	COLLAR KICK BOSS	COLLAR KICK BOSS	1	
	28281	28281-KKC2-900	SPG KICK RETURN	SPG KICK RETURN	1	
	50504	50504-KKC3-900	STOPPER MAIN STAND	STOPPER MAIN STAND	1	
	90031	90031-KEBE-900	BOLT A STUD 8MM	BOLT A STUD 8MM	3	

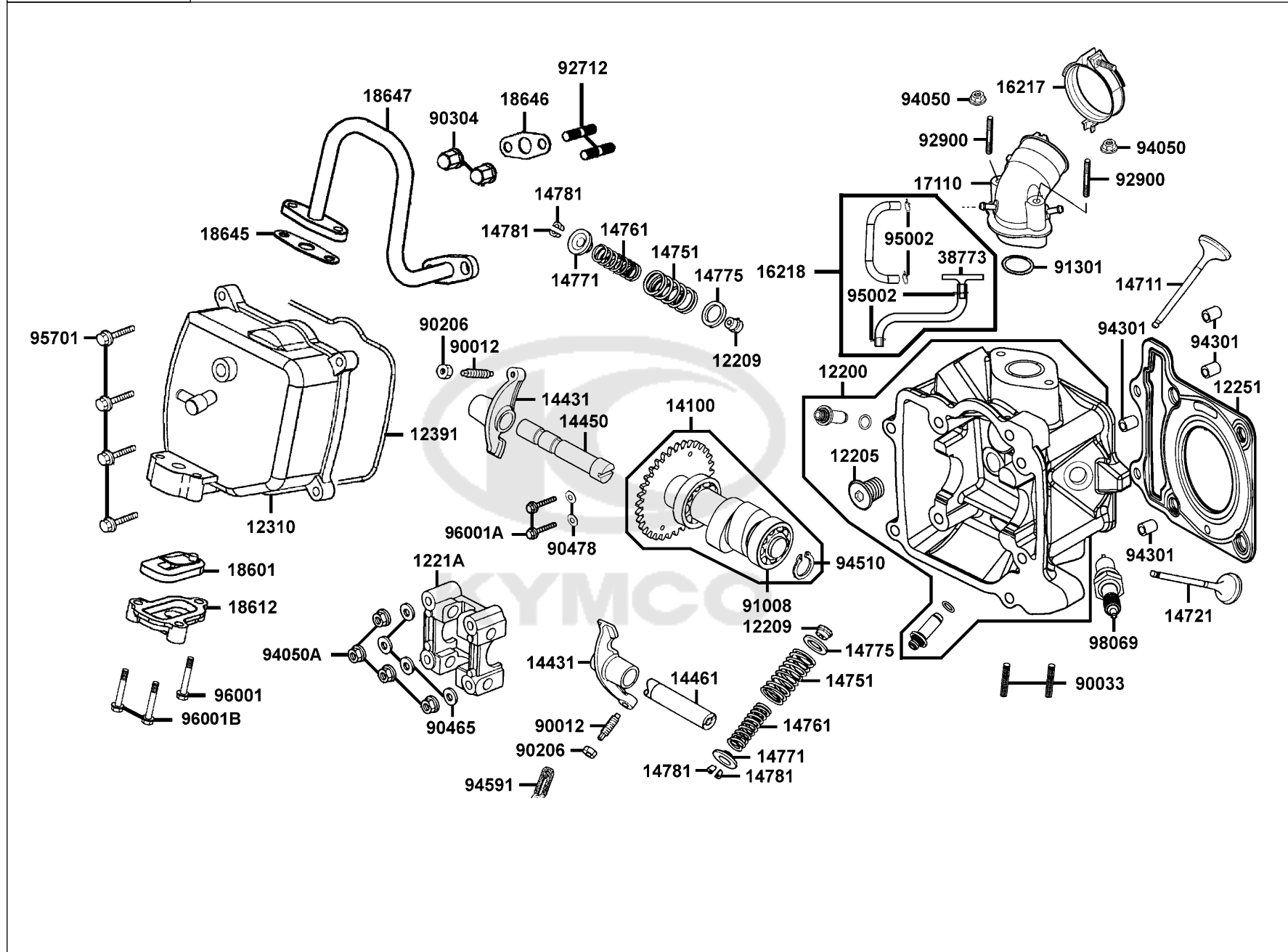
E01

Crank Case



Sales mark	Ref no	Part no	Description	Reg description	Regd no	E01
90032		90032-KEBE-900	BOLT B STUD 8MM	BOLT B STUD 8MM	1	
90412		90412-3K29-001	WASHER THRUST 10MM	WASHER THRUST 10MM	1	
90451		90451-GBN2-601	WASHER KICK SPINDLE	WASHER KICK SPINDLE	1	
9052A		9052A-GFY6-950	BOLT ASSY DRAIN PLUG	BOLT ASSY DRAIN PLUG	1	
91104		91104-KGN7-671	BRG BALL RADIAL 6204	BRG BALL RADIAL 6204	1	
91202		91202-KKJ9-004	OIL SEAL 20*32*6	OIL SEAL 20*32*6	1	
91261		91261-4E15-004	OIL SEAL 25*40*8	OIL SEAL 25*40*8	1	
94301		94301-08140	PIN A DOWEL 8*14	PIN A DOWEL 8*14	4	
94511		94511-14000	CIR CLIP EX 14	CIR CLIP EX 14	1	
95701		95701-08012-08	BOLT FLANGE 8X12	BOLT FLANGE 8X12	1	
96001-06016		96001-06016-08	BOLT FLANGE SH 6*16	BOLT FLANGE SH 6*16	5	
96001-06040		96001-06040-08	BOLT FLANGE SH 6*40	BOLT FLANGE SH 6*40	8	
96001-06050		96001-06050-08	BOLT FLANGE SH 6*50	BOLT FLANGE SH 6*50	2	
96001-06060		96001-06060-08	BOLT FLANGE 6*60	BOLT FLANGE 6*60	2	
96001-06120		96001-06120-08	BOLT FLANGE 6*120	BOLT FLANGE 6*120	3	
96100-62030		96100-62030-00	BRG BALL 6203	BRG BALL 6203	1	

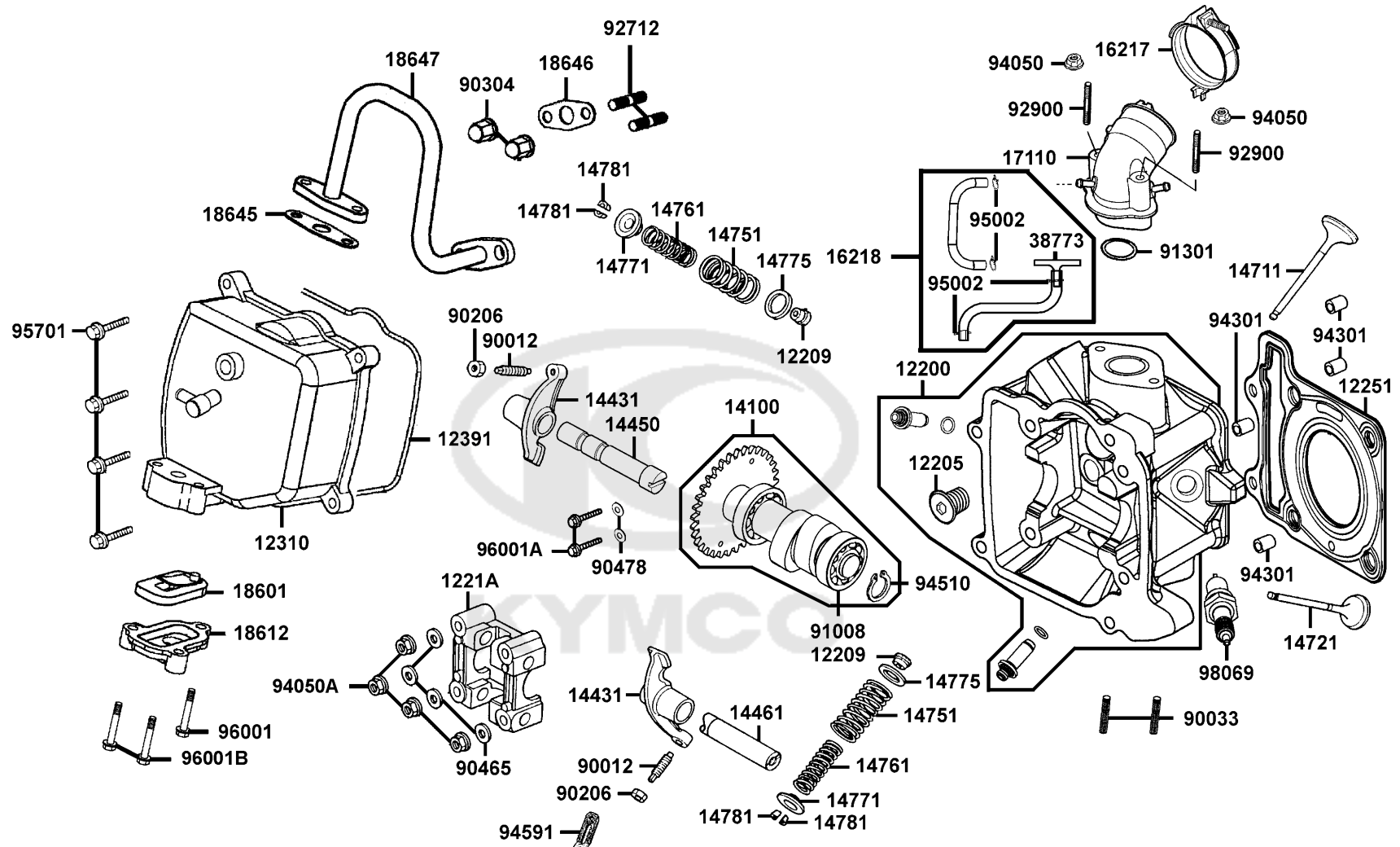
Cylinder Head Cover Cylinder Head



Sales mark	Ref no	Part no	Description	Reg description	Regd no	E02
12200		12200-KKC1-900	HEAD COMP CYLN	HEAD COMP CYLN	1	
12205		12205-KHE8-301	BOLT SEALING 12MM	BOLT SEALING 12MM	1	
12209		12209-GDB4-68A	SEAL VALVE STEM	SEAL VALVE STEM	2	
1221A		1221A-KEBE-900	HOLDER CAM SHAFT COMP	HOLDER CAM SHAFT COMP	1	
12251		12251-KED1-901	GASKET CYLINDER HEAD	GASKET CYLINDER HEAD	1	
12310		12310-KEBE-900	HEAD COVER COMP	HEAD COVER COMP	1	
12391		12391-KEBE-900	GASKET HEAD COVER	GASKET HEAD COVER	1	
14100		14100-KKC2-220	SHAFT COMP CAM	SHAFT COMP CAM	1	
14431		14431-KKC1-900	ARM VALVE ROCKER	ARM VALVE ROCKER	2	
14450		14450-KEBE-900	SHAFT COMP IN ROCKER ARM	SHAFT COMP IN ROCKER ARM	1	
14461		14461-KEBE-900	SHAFT EX ROCKER ARM	SHAFT EX ROCKER ARM	1	
14711		14711-KEBE-900	VALVE INLET	VALVE INLET	1	
14721		14721-KAAA-900	VALVE EXHAUST	VALVE EXHAUST	1	
14751		14751-KKJ9-003	SPRG VALVE OUTER	SPRG VALVE OUTER	2	
14761		14761-KKJ9-003	SPG VALVE INNER	SPG VALVE INNER	2	
14771		14771-GDB4-680	RETAINER VALVE SPRING	RETAINER VALVE SPRING	2	
14775		14775-MFA6-001	SEAT VALVE SPG	SEAT VALVE SPG	2	
14781		14781-MFA6-001	COTTER VALVE	COTTER VALVE	4	
16217		16217-KEBE-900	BAND INSULATOR	BAND INSULATOR	1	
16218		16218-KEBE-900	TUBE ASSY INLET PIPE CARB	TUBE ASSY INLET PIPE CARB	1	

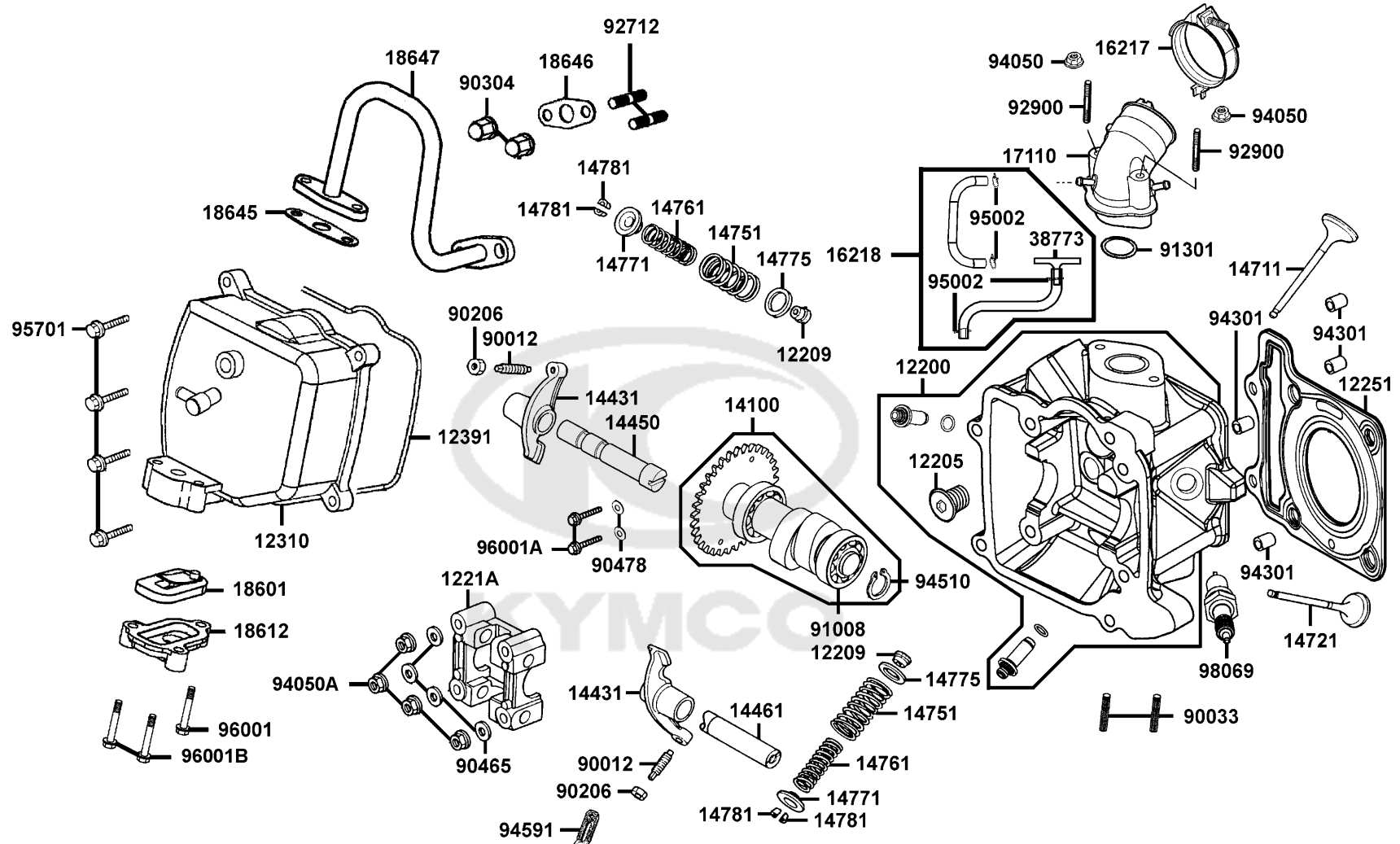
E02

Cylinder Head Cover Cylinder Head



Sales mark	Ref no	Part no	Description	Reg description	Regd no	E02
17110		17110-KKC1-E00	PIPE COMP INLET	PIPE COMP INLET	1	
18601		18601-MAJ1-791	REED VALVE COMP	REED VALVE COMP	1	
18612		18612-KEBE-900	COVER REED VALVE	COVER REED VALVE	1	
18645		18645-GFY6-941	GSKT A/I PIPE	GSKT A/I PIPE	1	
18646		18646-GFY6-941	GSKT A/I PIPE	GSKT A/I PIPE	1	
18647		18647-KEBE-900	PIPE COMP AIR	PIPE COMP AIR	1	
38773		38773-PKB9-001	JOINT 3 WAY 3.5	JOINT 3 WAY 3.5	1	
90012		90012-3C33-001	SCREW TAPPET ADJUSTING	SCREW TAPPET ADJUSTING	2	
90033		90033-GFY6-900	BOLT STUD 8*32	BOLT STUD 8*32	2	
90206		90206-0A01-001	NUT TAPPET ADJG	NUT TAPPET ADJG	2	
90304		90304-4H38-001	NUT HEX CAP 6MM	NUT HEX CAP 6MM	2	
90465		90465-MDC4-001	WASHER 8MM	WASHER 8MM	4	
90478		90478-7L00-001	WASHER A 6MM	WASHER A 6MM	2	
91008		91008-GLE0-004	BRG BALL RADIAL 16002	BRG BALL RADIAL 16002	1	
91301		91301-0H28-001	O RING 27*2	O RING 27*2	1	
92712		92712-06028-0B	BOLT STUD 6X16	BOLT STUD 6X16	1	
92900		92900-06045-0B	BOLT STUD SH 6*45	BOLT STUD SH 6*45	2	
94050		94050-06080	NUT FLANGE 6MM	NUT FLANGE 6MM	2	
94050A		94050-08080	NUT FLANGE 8MM	NUT FLANGE 8MM	4	
94301		94301-10160	DOWEL PIN 10*16	DOWEL PIN 10*16	4	

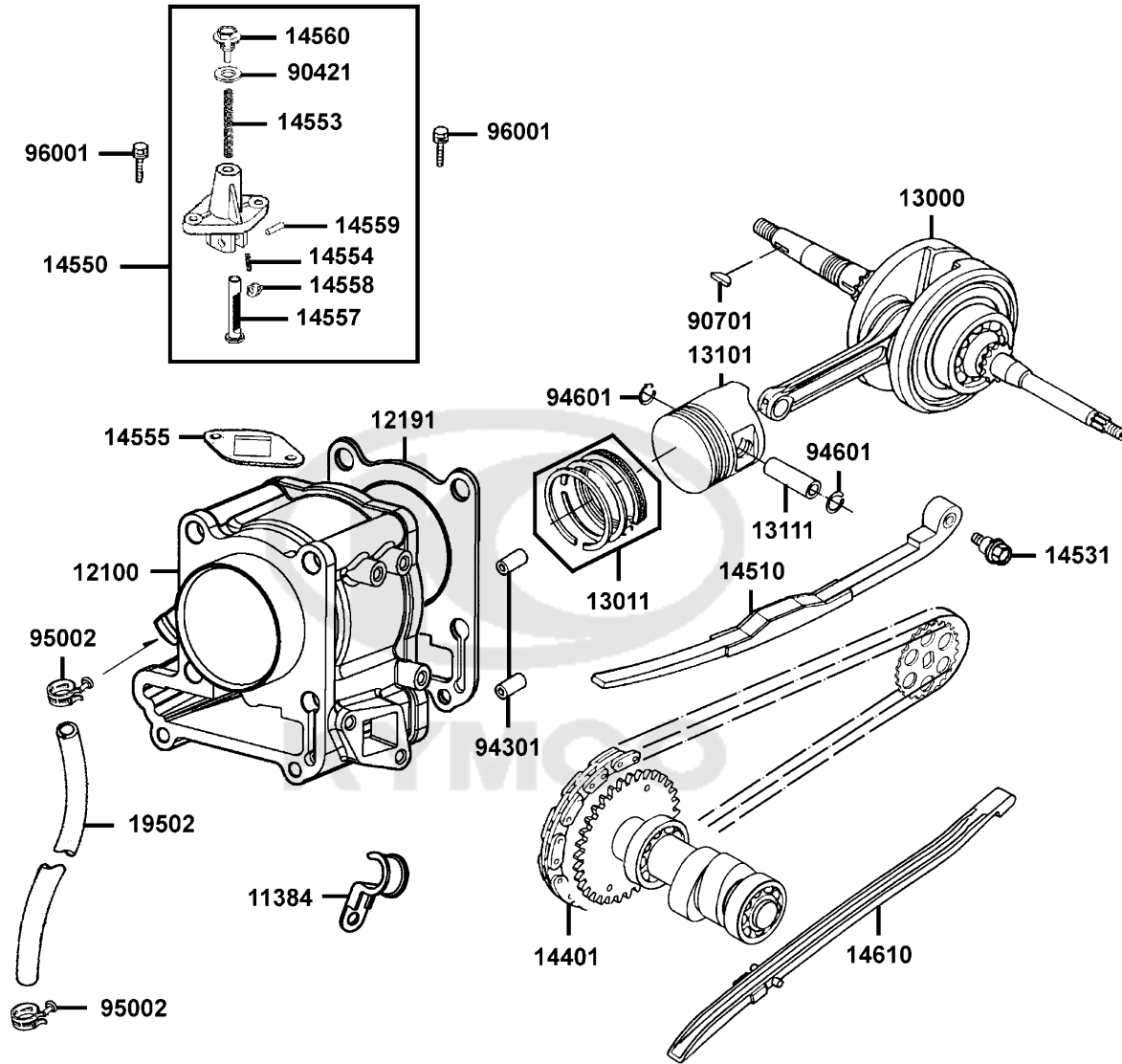
Cylinder Head Cover Cylinder Head



Sales mark	Ref no	Part no	Description	Reg description	Regd no	E02
94510		94510-15000	CIR CLIP EX 15MM	CIR CLIP EX 15MM	1	
94591		94591-KFBF-900	CLIP 2*70	CLIP 2*70	1	
95002		95002-02070	CLIP B7 PORT TUBE	CLIP B7 PORT TUBE	4	
95701		95701-06025-08	BOLT FLANGE 6*25	BOLT FLANGE 6*25	4	
96001		96001-06016-08	BOLT FLANGE SH 6*16	BOLT FLANGE SH 6*16	1	
96001A		96001-06025-08	BOLT FLANGE SH 6*25	BOLT FLANGE SH 6*25	2	
96001B		96001-06032-08	BOLT FLANGE 6*32	BOLT FLANGE 6*32	2	
98069		98069-5791R-00	PLUG SPARK DPR7EA-9	PLUG SPARK DPR7EA-9	1	

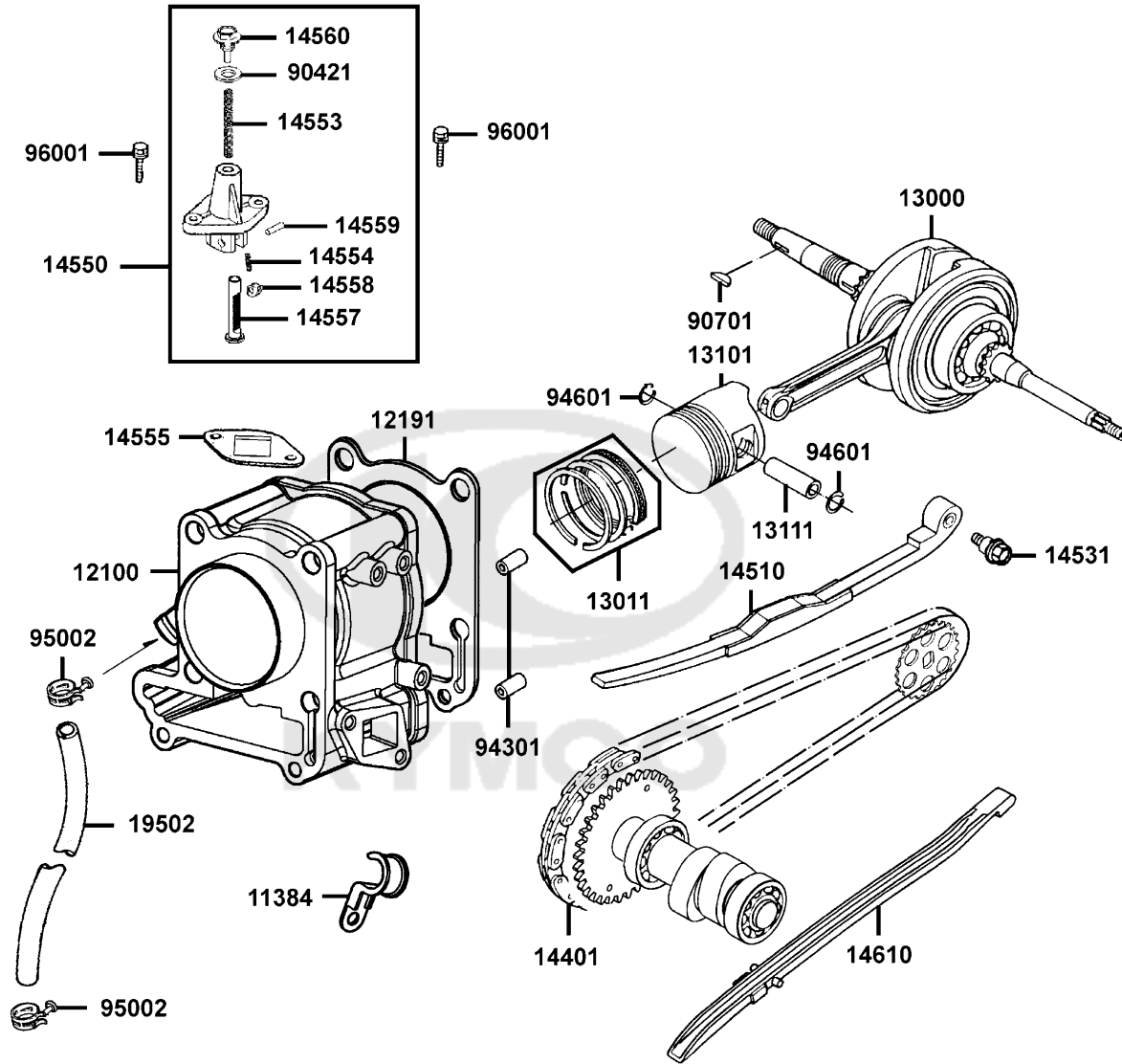


Cylinder Piston Crankshaft



Sales mark	Ref no	Part no	Description	Reg description	Regd no	E03
11384		11384-KHE7-900	CLAMPER A RR BRK HOSE	CLAMPER A RR BRK HOSE	1	
12100		12100-KKC1-900	CYLINDER COMP	CYLINDER COMP	1	
12191		12191-KKC2-900	GASKET CYLINDER	GASKET CYLINDER	1	
13000		13000-KKC2-900	CRANK SHAFT COMP	CRANK SHAFT COMP	1	
13011		13011-GFY6-900	RING SET PISTON	RING SET PISTON	1	
13101		13101-KED1-900	PISTON	PISTON	1	
13111		13111-3D84-001	PIN PISTON	PIN PISTON	1	
14401		14401-KUDU-900	CHAIN CAM	CHAIN CAM	1	
14401		14401-KUDU-90C	CHAIN CAM	CHAIN CAM	1	
14510		14510-KEBE-900	TENSIONER CAM CHAIN	TENSIONER CAM CHAIN	1	
14531		14531-KKJ9-001	PIVOT CAM CHAIN TENSIONER	PIVOT CAM CHAIN TENSIONER	1	
14550		14550-KDS4-00B	ADJUSTER CAM CHAIN	ADJUSTER CAM CHAIN	1	
14553		14553-KGBG-900	SPRING CAM CHAIN ADJUSTER	SPRING CAM CHAIN ADJUSTER	1	
14554		14554-KAM1-004	SPRING RATCHET	SPRING RATCHET	1	
14555		14555-KKJ9-001	GASKET CAM CHAIN ADJUSTER	GASKET CAM CHAIN ADJUSTER	1	
14555		14555-LBA2-E00	GASKET CAM	GASKET CAM	1	
14557		14557-KGBG-900	PLUGER ADJUSTER	PLUGER ADJUSTER	1	
14558		14558-KGBG-900	CAM ADJUSTER	CAM ADJUSTER	1	
14559		14559-KGBG-900	PIN ADJUSTER	PIN ADJUSTER	1	
14560		14560-KGBG-900	PLUG C0MP ADJUSTER	PLUG C0MP ADJUSTER	1	

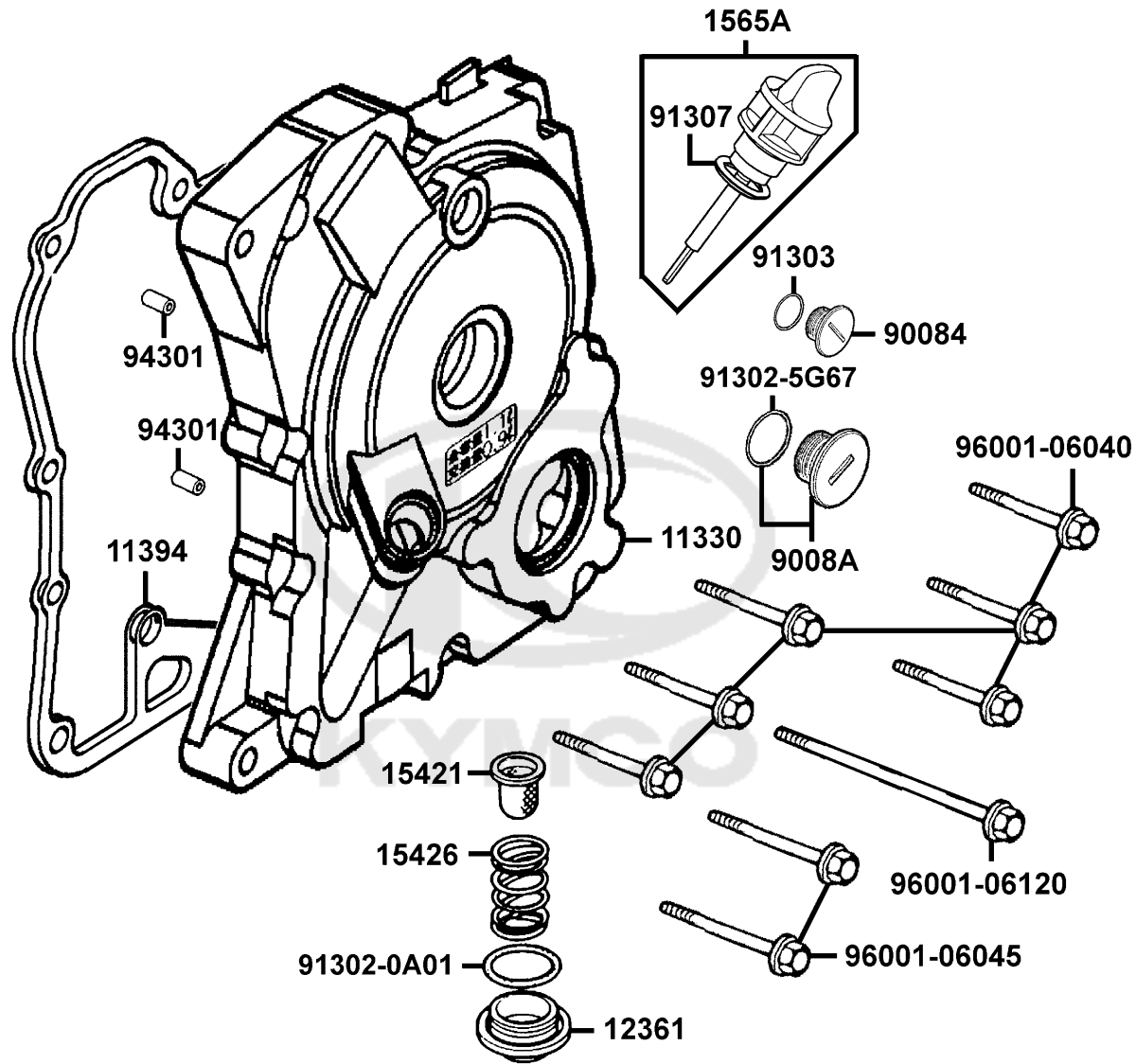
Cylinder Piston Crankshaft



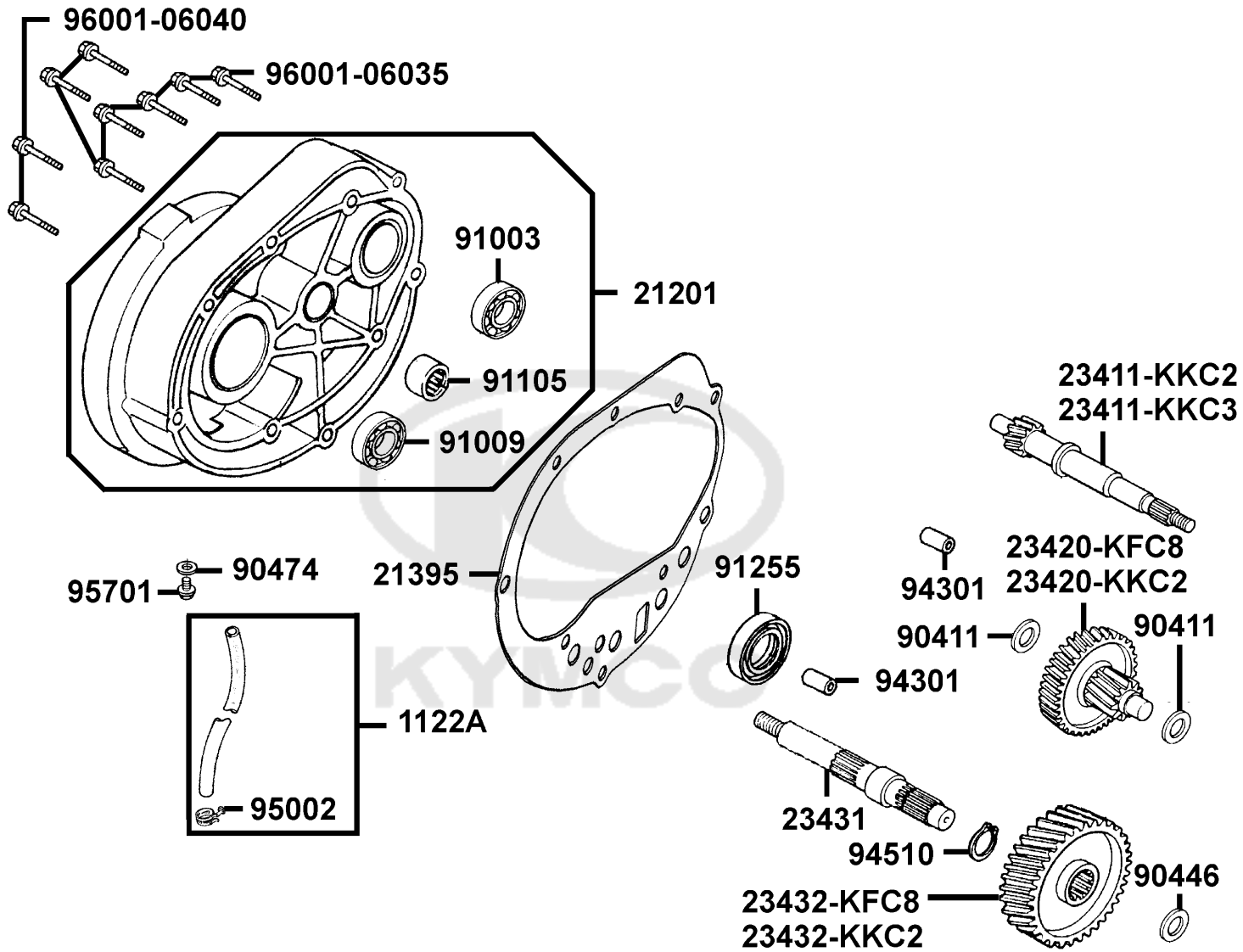
Sales mark	Ref no	Part no	Description	Reg description	Regd no	E03
14610		14610-KKJ9-001	GUIDE COMP CAM CHAIN	GUIDE COMP CAM CHAIN	1	
19502		19502-KEBE-900	HOSE WATER B	HOSE WATER B	1	
90421		90421-KAM1-004	WASHER SEALING 8*16*1.6	WASHER SEALING 8*16*1.6	1	
90701		90701-HFB6-011	KEY WOODRUFF 25*14*4	KEY WOODRUFF 25*14*4	1	
94301		94301-10160	DOWEL PIN 10*16	DOWEL PIN 10*16	2	
94601		94601-15000	CLIP PISTON PIN 15MM	CLIP PISTON PIN 15MM	2	
95002		95002-KGN7-910	CLIP TUBE	CLIP TUBE	2	
96001		96001-06018-08	BOLT FLANGE SH 6*18	BOLT FLANGE SH 6*18	2	



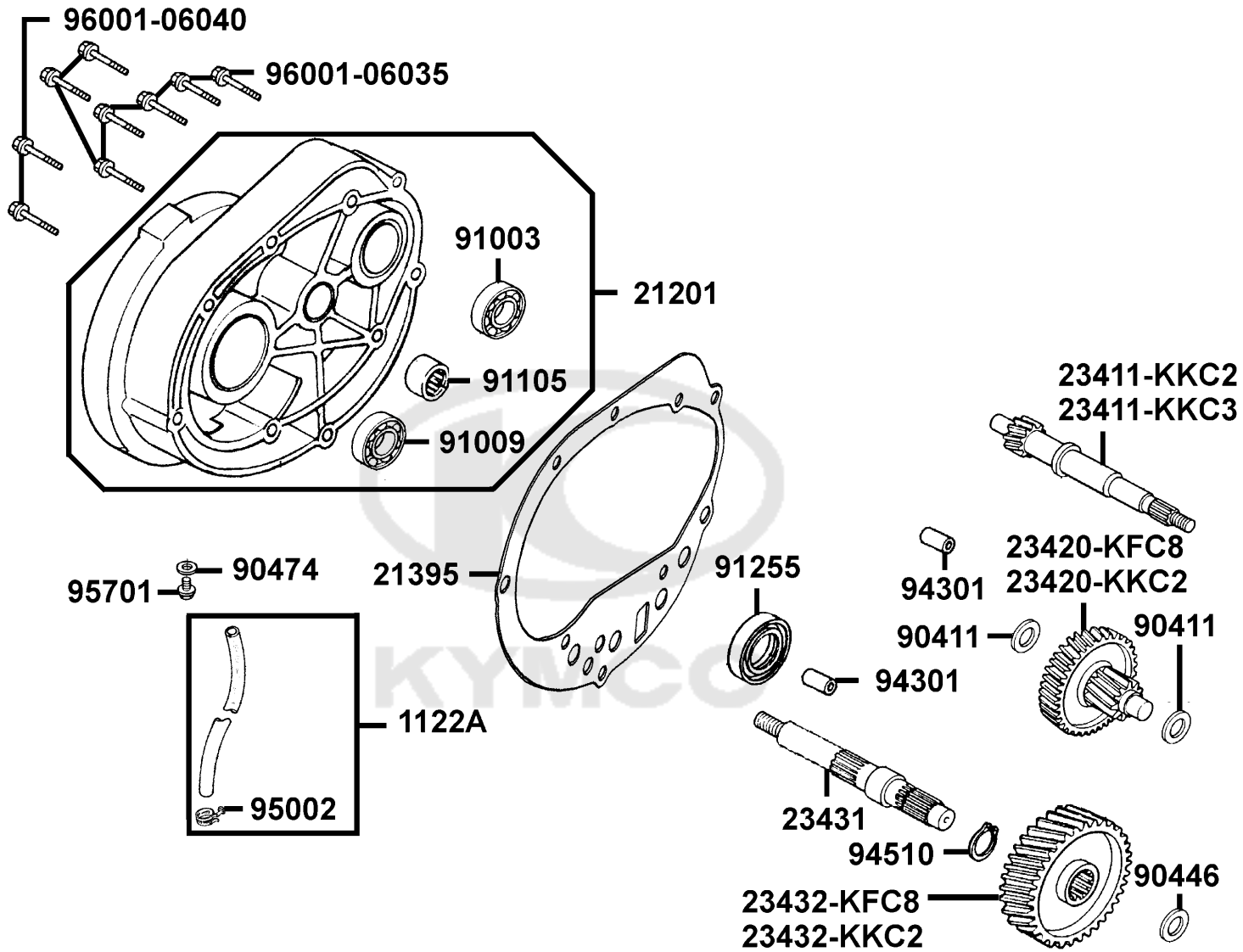
Right Crankcase Cover Water Pump



Sales mark	Ref no	Part no	Description	Reg description	Regd no	E04
11394		11394-KEBE-900	GASKET R COVER A	GASKET R COVER A	1	
12361		12361-GFY6-901	HOLE CAP TAPPET ADJUSTING	HOLE CAP TAPPET ADJUSTING	1	
15421		15421-1G07-001	SCREEN OIL FILTER	SCREEN OIL FILTER	1	
15426		15426-GAE1-921	SPG OIL FILTER SCREEN	SPG OIL FILTER SCREEN	1	
1565A		1565A-KEBE-900	GAUGE OIL LEVEL ASSY	GAUGE OIL LEVEL ASSY	1	
9008A		9008A-KBE2-900	CAP ASSY 30MM	CAP ASSY 30MM	1	
91302-0A01		91302-0A01-021	O-RING 30.8MM	O-RING 30.8MM	1	
91302-5G67		91302-5G67-004	O-RING 27.4*2.4	O-RING 27.4*2.4	1	
91303		91303-3G77-001	O-RING 13.8*2.5	O-RING 13.8*2.5	1	
91307		91307-0E35-001	O RING 18*3	O RING 18*3	1	
94301		94301-08140	PIN A DOWEL 8*14	PIN A DOWEL 8*14	2	
96001-06040		96001-06040-08	BOLT FLANGE SH 6*40	BOLT FLANGE SH 6*40	6	
96001-06045		96001-06045-08	BOLT FLANGE SH 6*45	BOLT FLANGE SH 6*45	2	
96001-06120		96001-06120-08	BOLT FLANGE 6*120	BOLT FLANGE 6*120	1	



Sales mark	Ref no	Part no	Description	Reg description	Regd no	E05
1122A		1122A-KKC2-900	TUBE ASSY	TUBE ASSY	1	
21201		21201-KFC8-305	CASE SET MISSION	CASE SET MISSION	1	
21395		21395-KFC8-900	GASKET MISSION CASE A	GASKET MISSION CASE A	1	
23411-KKC2		23411-KKC2-900	SHAFT DRIVE	SHAFT DRIVE	1	
23411-KKC3		23411-KKC3-900	SHAFT DRIVE	SHAFT DRIVE	1	
23420-KFC8		23420-KFC8-900	SHAFT COMP COUNTER	SHAFT COMP COUNTER	1	
23420-KKC2		23420-KKC2-900	SHAFT COMP COUNTER	SHAFT COMP COUNTER	1	
23431		23431-KFC8-900	SHAFT FINAL	SHAFT FINAL	1	
23432-KFC8		23432-KFC8-900	GEAR FINAL	GEAR FINAL	1	
23432-KKC2		23432-KKC2-900	GEAR FINAL	GEAR FINAL	1	
90411		90411-KAM1-001	WASHER THRUST 14*32*1	WASHER THRUST 14*32*1	2	
90446		90446-3G57-001	WASHER THRUST 17.2MM	WASHER THRUST 17.2MM	1	
90474		90474-3C33-001	WASHER 8MM	WASHER 8MM	1	
91003		91003-KDS4-004	BRG BALL RADIAL 6301TMB	BRG BALL RADIAL 6301TMB	1	
91009		91009-GLE0-004	BRG BALL RADIAL 6004 UU	BRG BALL RADIAL 6004 UU	1	
91105		91105-KGN7-672	BRG NEEDLE	BRG NEEDLE	1	
91255		91255-GLE0-006	OIL SEAL 27*42*7	OIL SEAL 27*42*7	1	
94301		94301-08140	PIN A DOWEL 8*14	PIN A DOWEL 8*14	2	
94510		94510-20000	CIR CLIP EXTERNAL 20	CIR CLIP EXTERNAL 20	1	
95002		95002-02080	CLIP B8 CHAMBER TUBE	CLIP B8 CHAMBER TUBE	1	

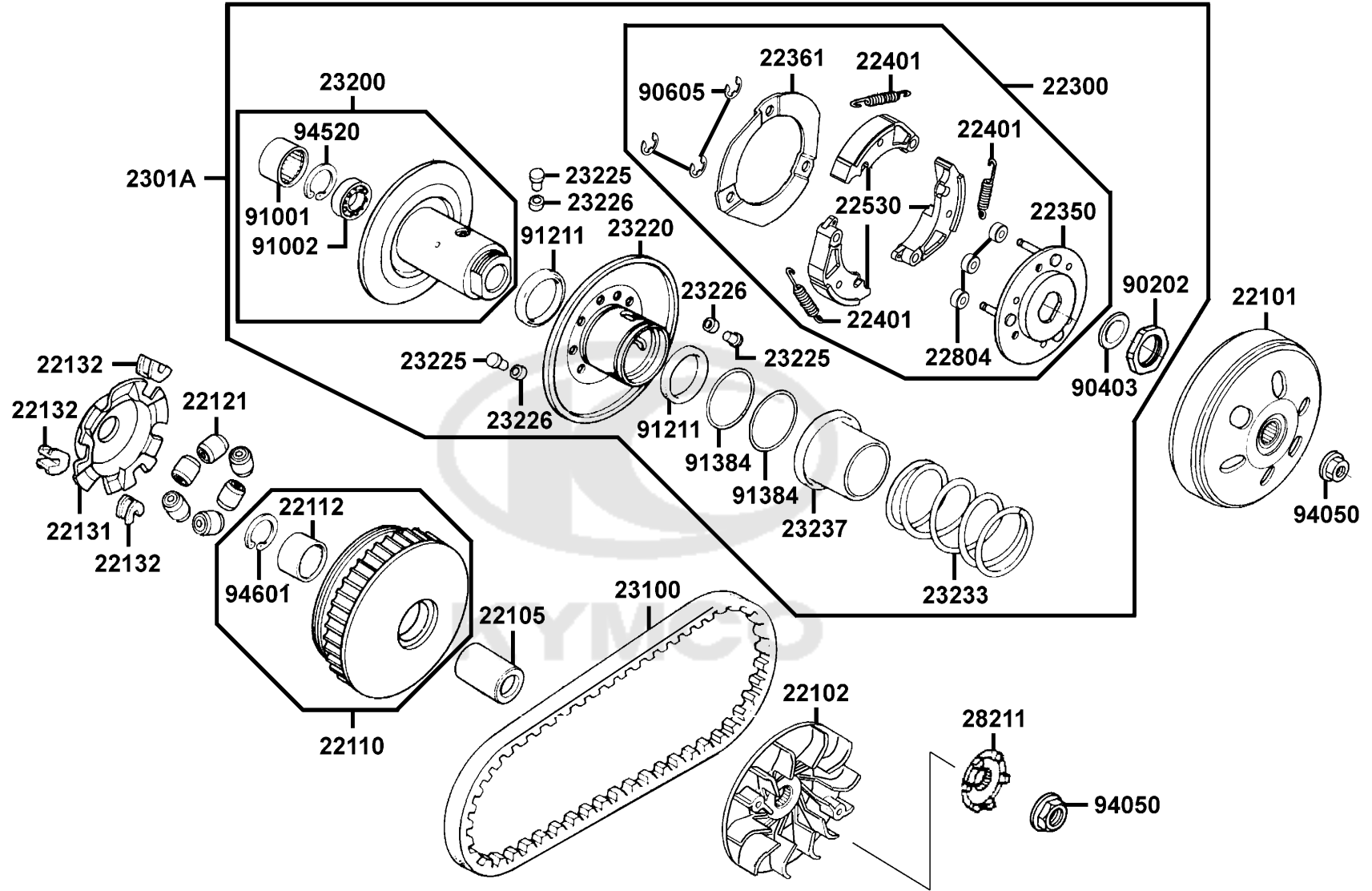


Sales mark	Ref no	Part no	Description	Reg description	Regd no	E05
------------	--------	---------	-------------	-----------------	---------	------------

95701		95701-08012-08	BOLT FLANGE 8X12	BOLT FLANGE 8X12	1	
96001-06035		96001-06035-08	BOLT FLANGE 6*35	BOLT FLANGE 6*35	7	
96001-06040		96001-06040-08	BOLT FLANGE SH 6*40	BOLT FLANGE SH 6*40	2	

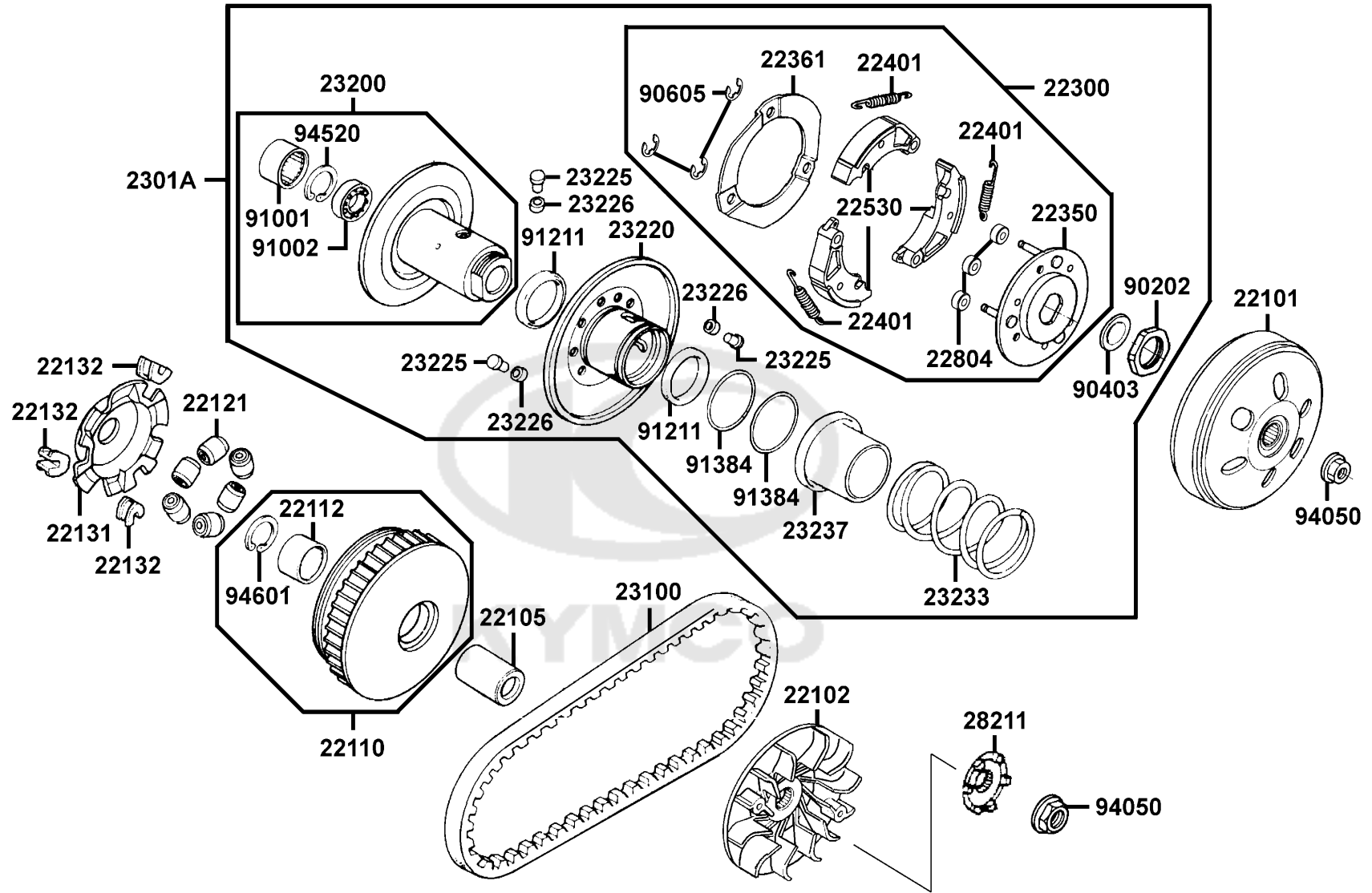


Transmission Pulley



Sales mark	Ref no	Part no	Description	Reg description	Regd no	E06
22101		22101-KEBE-900	OUTER CLUTCH	OUTER CLUTCH	1	
22102		22102-KKC3-900	FACE DRIVE	FACE DRIVE	1	
22105		22105-KHD4-E00	BOSS DRIVE FACE	BOSS DRIVE FACE	1	
22110		22110-KKC3-900	FACE COMP MOVABLE DRIVE	FACE COMP MOVABLE DRIVE	1	
22112		22112-KAAA-900	COLLAR DRIVE FACE	COLLAR DRIVE FACE	1	
22121		22121-KED1-900	ROLLER COMP WEIGHT	ROLLER COMP WEIGHT	6	
22131		22131-KAAA-900	PLATE RAMP	PLATE RAMP	1	
22132		22132-KGN7-670	PIECE SLIDE	PIECE SLIDE	3	
22300		22300-KGN7-671	PLATE ASSY DRIVE	PLATE ASSY DRIVE	1	
22350		22350-KGN7-671	PLATE COMP DRIVE	PLATE COMP DRIVE	1	
22361		22361-KGN7-671	PLATE CLUTCH SIDE	PLATE CLUTCH SIDE	1	
22401		22401-KGN7-671	SPRING CLUTCH	SPRING CLUTCH	3	
22530		22530-LKE7-900	WEIGHT CLUTCH	WEIGHT CLUTCH	3	
22804		22804-GBB2-001	RUBBER CLUTCH DUMRER	RUBBER CLUTCH DUMRER	3	
2301A		2301A-KEBE-900	PULLEY SUB ASSY	PULLEY SUB ASSY	1	
23100		23100-KGN7-67A	BELT DRIVE	BELT DRIVE	1	
23200		23200-KEBE-900	FACE ASSY DRIVEN	FACE ASSY DRIVEN	1	
23220		23220-KGN7-671	FACE COMP MOVABLE DRIVEN	FACE COMP MOVABLE DRIVEN	1	
23225		23225-GHC8-004	PIN ROLLER GUIDE	PIN ROLLER GUIDE	3	
23226		23226-GHC8-004	ROLLER GUIDE	ROLLER GUIDE	3	

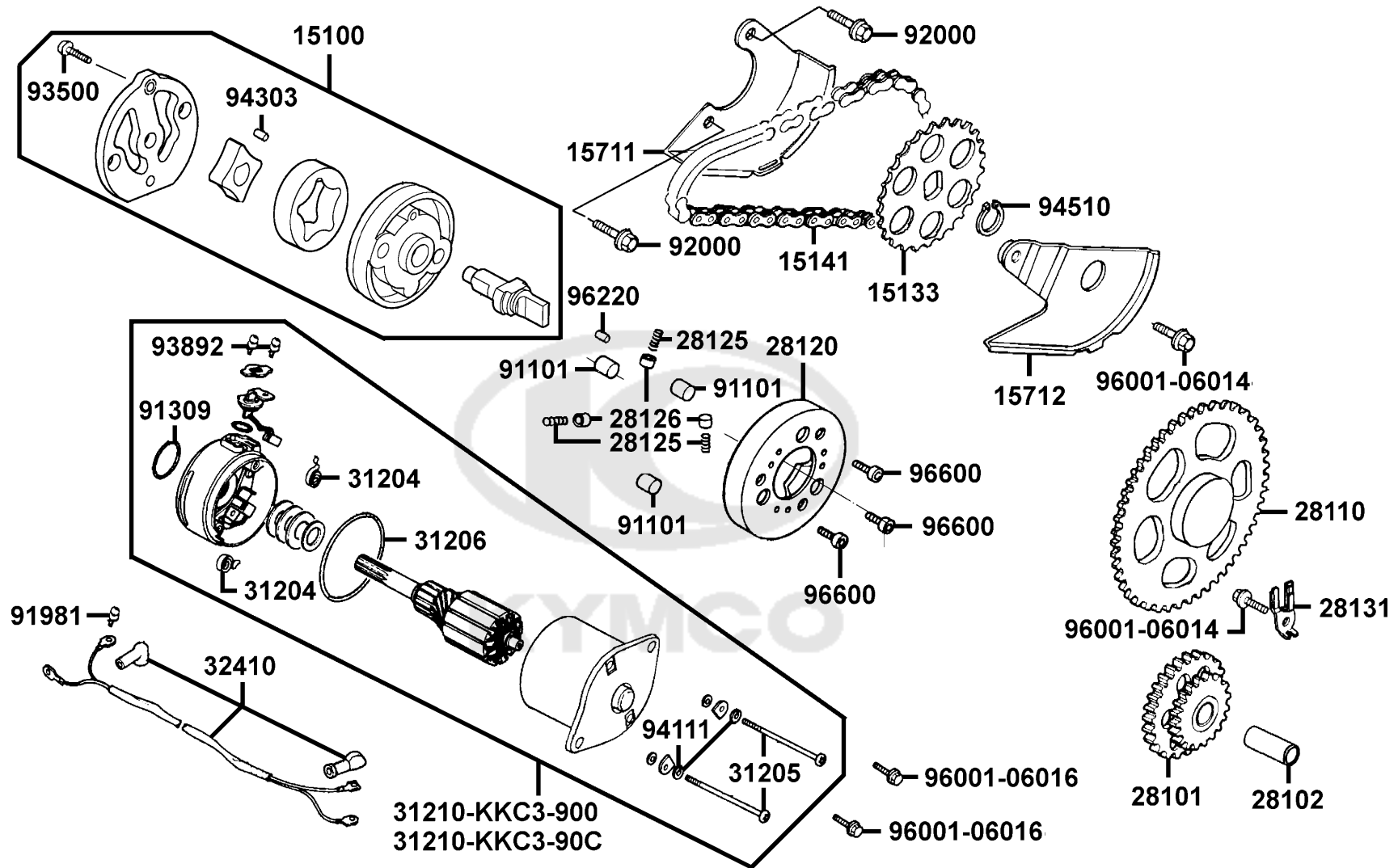
Transmission Pulley



Sales mark	Ref no	Part no	Description	Reg description	Regd no	E06
23233		23233-KGN7-671	SPG DRIVEN FACE	SPG DRIVEN FACE	1	
23237		23237-KHG8-901	COLLAR SEAL	COLLAR SEAL	1	
28211		28211-KFC8-900	RATCHET KICK STARTER	RATCHET KICK STARTER	1	
90202		90202-KGN7-671	NUT SPECIAL 28MM	NUT SPECIAL 28MM	1	
90403		90403-KGN7-671	WASHER THRUST 28*44*1.5	WASHER THRUST 28*44*1.5	1	
90605		90605-1F66-721	CIR CLIP 7MM	CIR CLIP 7MM	3	
91001		91001-GFY6-90A	BRG NDL 20*29*18	BRG NDL 20*29*18	1	
91002		91002-GGA7-70A	BRG BALL RADIAL 6902U 15*28*7	BRG BALL RADIAL 6902U 15*28*7	1	
91211		91211-KEBE-900	SEAL DRIVEN FACE 34*41*4	SEAL DRIVEN FACE 34*41*4	2	
91384		91384-KEBE-900	O-RING 38.8*1.9	O-RING 38.8*1.9	2	
94050		94050-12080	NUT FLANGE 12MM	NUT FLANGE 12MM	2	
94520		94520-28000	CIR CLIP IN 28MM	CIR CLIP IN 28MM	1	
94601		94601-33000	CLIP PISTON PIN 33MM	CLIP PISTON PIN 33MM	1	

E07

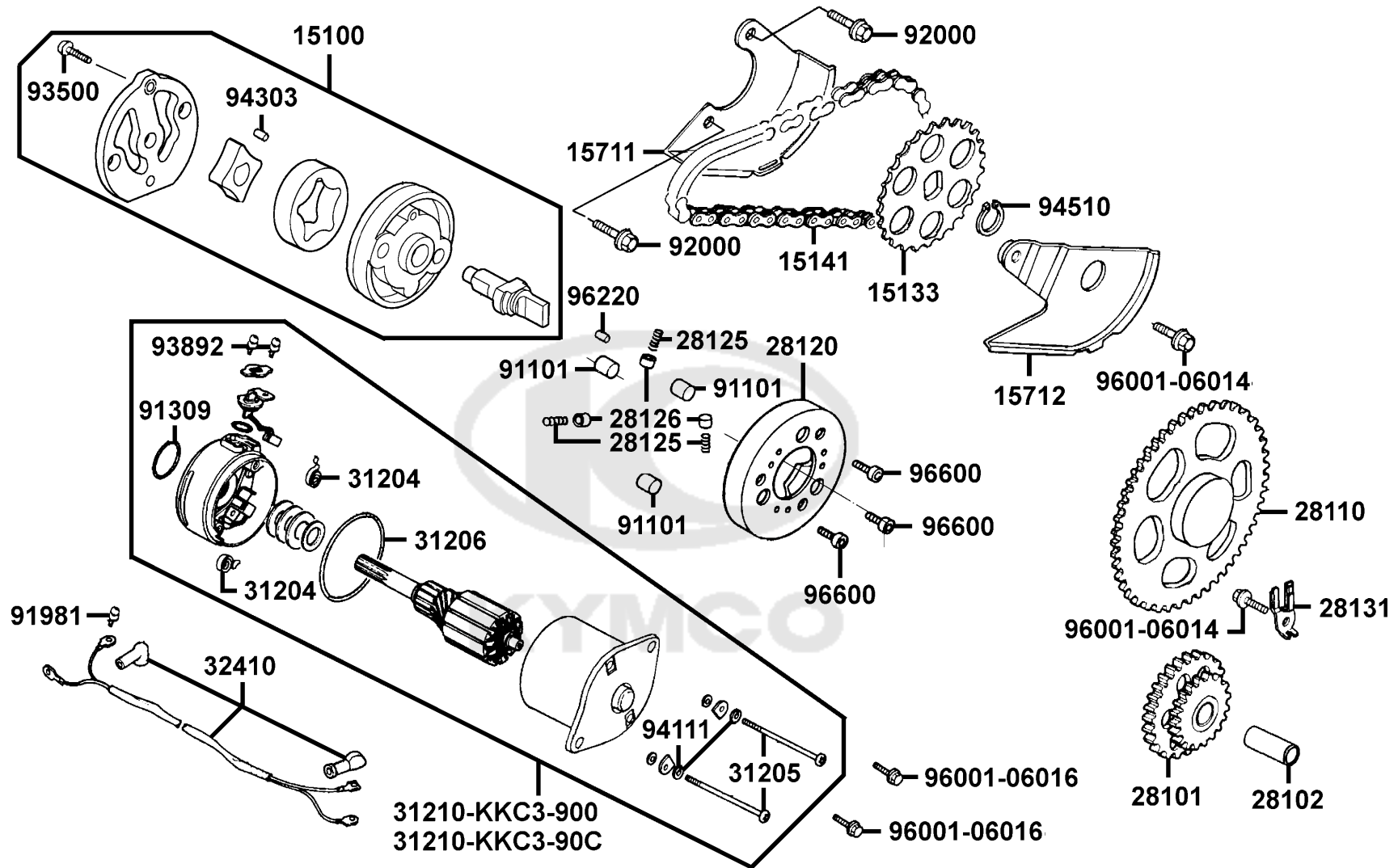
Starting Motor Oil Pump



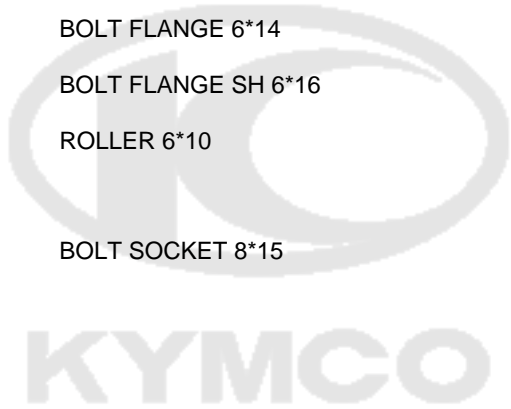
Sales mark	Ref no	Part no	Description	Reg description	Regd no	E07
	15100	15100-KKC3-900	PUMP ASSY OIL	PUMP ASSY OIL	1	
	15133	15133-KAM1-001	SPRKT OIL PUMP DRIVEN	SPRKT OIL PUMP DRIVEN	1	
	15141	15141-KKJ9-004	CHAIN OIL PUMP	CHAIN OIL PUMP	1	
	15711	15711-KKC3-900	OIL SEPARATER A	OIL SEPARATER A	1	
	15712	15712-KEBE-900	OIL SEPARATER COMP B	OIL SEPARATER COMP B	1	
	28101	28101-KKJ9-011	GEAR STARTER REDUCTION	GEAR STARTER REDUCTION	1	
	28102	28102-KKJ9-001	SHAFT STARTER REDUCTION GEAR	SHAFT STARTER REDUCTION GEAR	1	
	28110	28110-KGN7-672	GEAR COMP STARTING CLUTCH	GEAR COMP STARTING CLUTCH	1	
	28120	28120-KEBE-305	OUTER COMP STARTING CLUTCH	OUTER COMP STARTING CLUTCH	1	
	28125	28125-4F26-001	SPRING ROLLER STARTER CLUTCH	SPRING ROLLER STARTER CLUTCH	3	
	28126	28126-KUDU-900	CAP STARTING ROLLER SPRING	CAP STARTING ROLLER SPRING	3	
	28131	28131-KGN7-671	GUIDE STARTING DRIVEN GEAR	GUIDE STARTING DRIVEN GEAR	1	
	31204	31204-KGN7-670	SPG CARBON BRUSH	SPG CARBON BRUSH	2	
	31205	31205-KGN7-670	BOLT SET	BOLT SET	2	
	31206	31206-KGN7-670	O-RING	O-RING	1	
	31210-KKC3-900	31210-KKC3-900	MOTOR UNIT START	MOTOR UNIT START	1	
	31210-KKC3-90C	31210-KKC3-90C	MOTOR UNIT START	MOTOR UNIT START	1	
	32410	32410-KKC3-900	CABLE START MOTOR	CABLE START MOTOR	1	
	91101	91101-1K79-711	ROLLER 10*10	ROLLER 10*10	3	
	91309	91309-4E25-004	O-RING 24.4*3.1	O-RING 24.4*3.1	1	

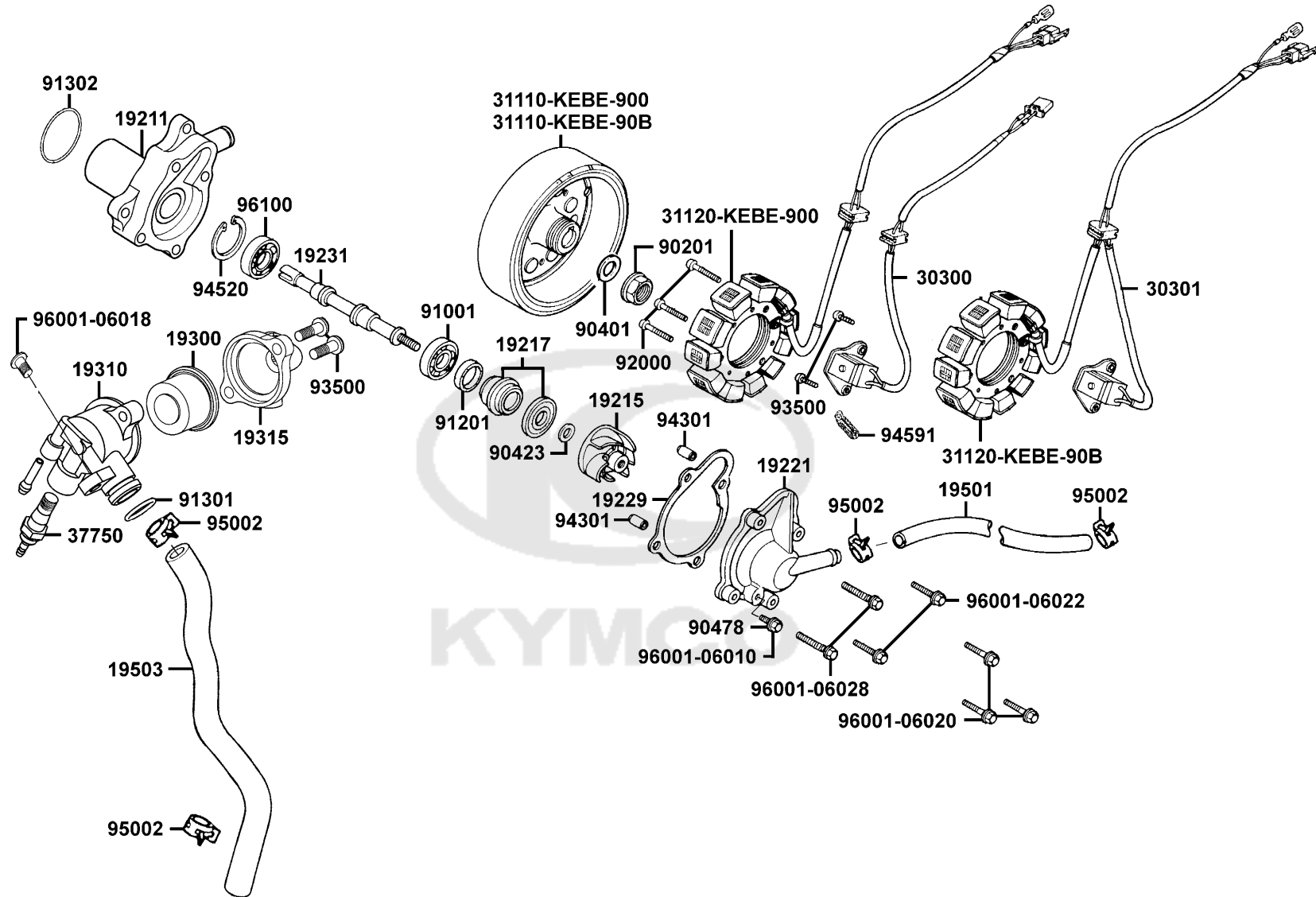
E07

Starting Motor Oil Pump

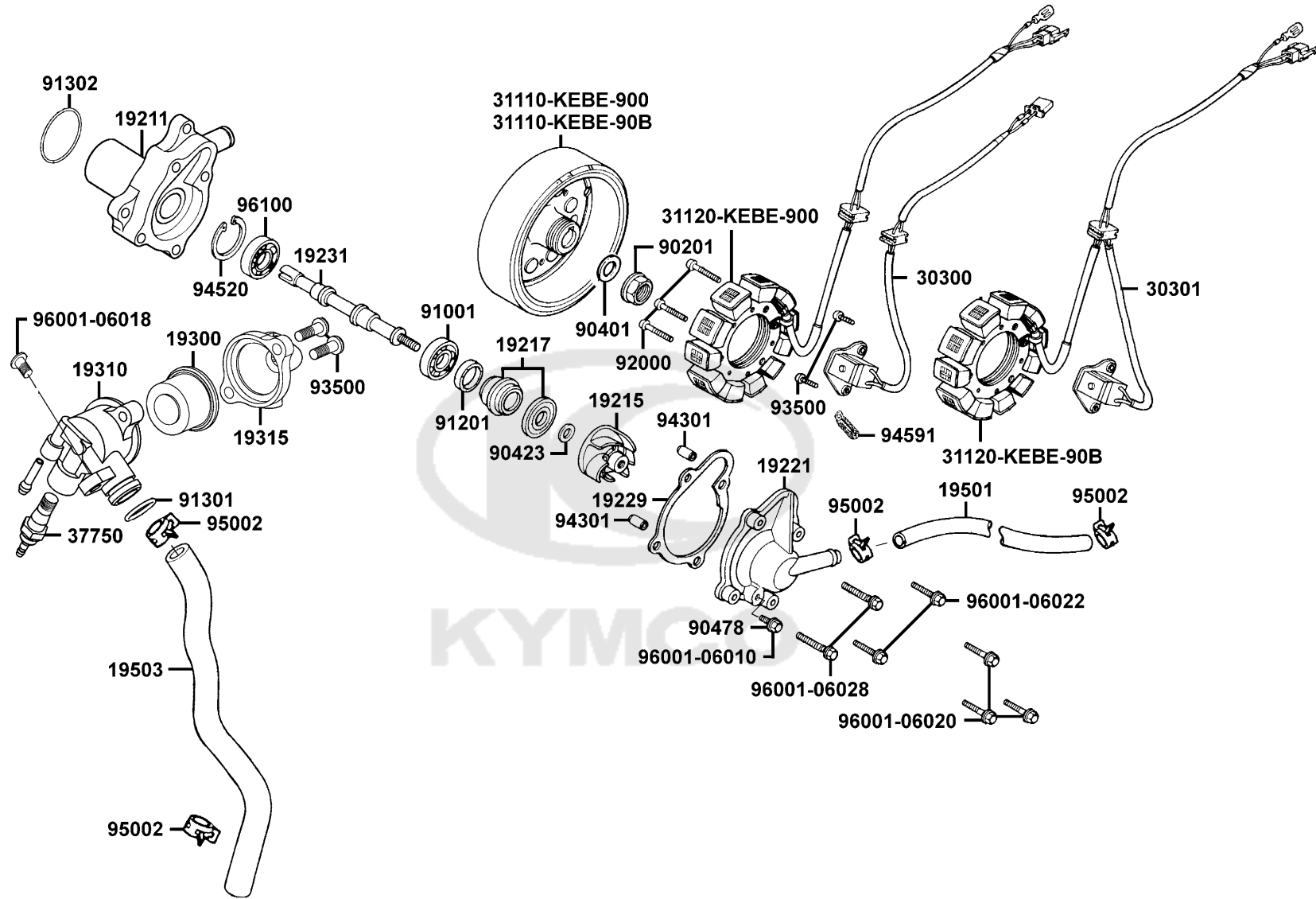


Sales mark	Ref no	Part no	Description	Reg description	Regd no	E07
91981		91981-KGN7-670	SCREW WASH 5*8	SCREW WASH 5*8	1	
92000		92000-06028-0H	BOLT HEX 6*25	BOLT HEX 6*25	2	
93500		93500-03010-1A	SCREW PAN 3*12	SCREW PAN 3*12	1	
93892		93892-04006-08	SCREW-WASHER 4*6	SCREW-WASHER 4*6	2	
94111		94111-05800	WASHER SPRING 5MM	WASHER SPRING 5MM	2	
94303		94303-04065	PIN C DOWEL 4*6.5	PIN C DOWEL 4*6.5	1	
94510		94510-10000	CIR EXTERNAL 10MM	CIR EXTERNAL 10MM	1	
96001-06014		96001-06014-08	BOLT FLANGE 6*14	BOLT FLANGE 6*14	2	
96001-06016		96001-06016-08	BOLT FLANGE SH 6*16	BOLT FLANGE SH 6*16	2	
96220		96220-60100	ROLLER 6*10	ROLLER 6*10	1	
96600		96600-08015-10	BOLT SOCKET 8*15	BOLT SOCKET 8*15	3	

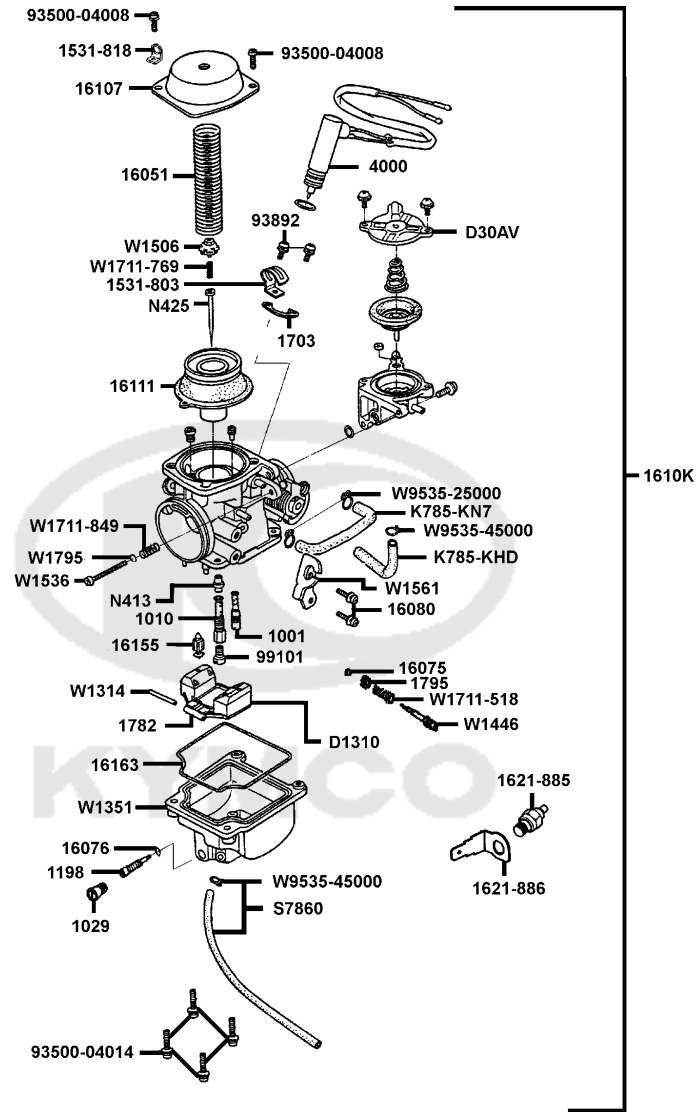




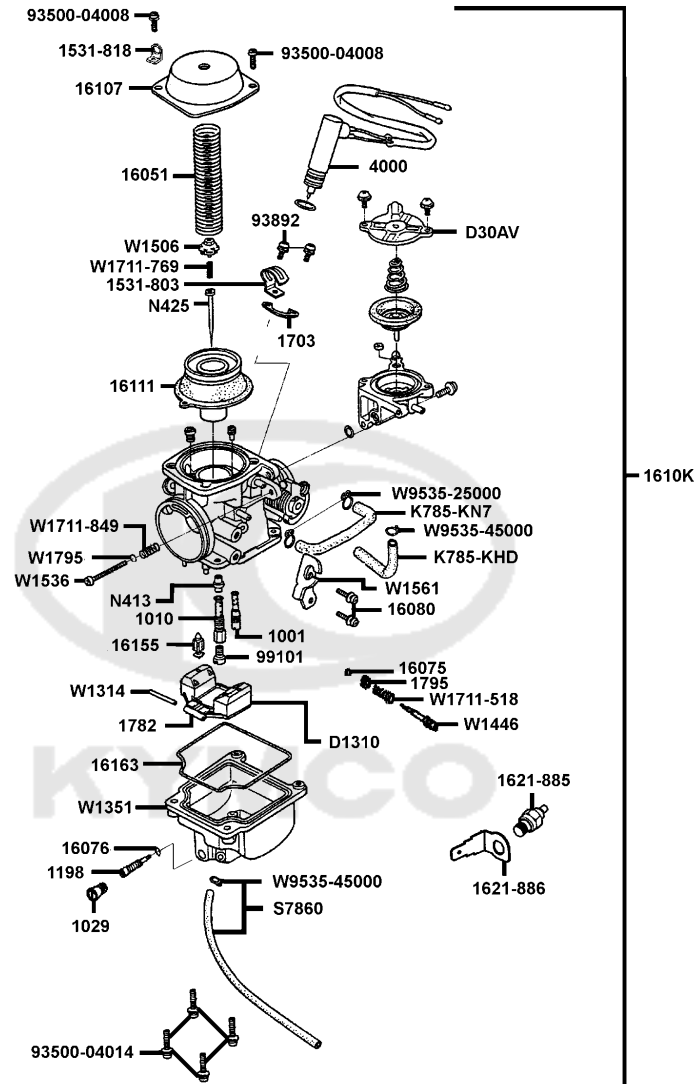
Sales mark	Ref no	Part no	Description	Reg description	Regd no	E08
	19211	19211-KKC3-900	BODY WATER PUMP	BODY WATER PUMP	1	
	19215	19215-KKJ9-011	IMPELLER WATER PUMP	IMPELLER WATER PUMP	1	
	19217	19217-6G57-024	SEAL MECHANICAL	SEAL MECHANICAL	1	
**	19221	19221-KKC3-900	COVER WATER PUMP	COVER WATER PUMP	1	
	19229	19229-KKC3-900	GASKET WATER PUMP	GASKET WATER PUMP	1	
	19231	19231-KEBE-900	SHAFT WATER PUMP	SHAFT WATER PUMP	1	
	19300	19300-KAE1-004	THERMO STAT ASSY	THERMO STAT ASSY	1	
	19310	19310-KEBE-900	CASE COMP THERMOSTAT	CASE COMP THERMOSTAT	1	
	19315	19315-KEBE-900	COVER THERMOSTAT	COVER THERMOSTAT	1	
	19501	19501-KKC3-910	HOSE WATER A	HOSE WATER A	1	
	19503	19503-KEBE-900	HOSE C WATER	HOSE C WATER	1	
	30300	30300-KEBE-900	GEN ASSY PULSE / D406	GEN ASSY PULSE / D406	1	
	30301	30301-KEBE-90B	GEN ASSY PULSE / D402	GEN ASSY PULSE / D402	1	
	31110-KEBE-900	31110-KEBE-900	FLYWHEEL COMP /D406	FLYWHEEL COMP /D406	1	
	31110-KEBE-90B	31110-KEBE-90B	FLYWHEEL COMP /D402	FLYWHEEL COMP /D402	1	
	31120-KEBE-900	31120-KEBE-900	STATOR COMP /D406	STATOR COMP /D406	1	
	31120-KEBE-90B	31120-KEBE-90B	STATOR COMP /D402	STATOR COMP /D402	1	
	37750	37750-PAC1-005	THERMO UNIT ASSY	THERMO UNIT ASSY	1	
	90201	90201-KHR8-75A	NUT FLANGE 14MM	NUT FLANGE 14MM	1	
	90401	90401-KKJ9-001	WASHER THRUST 14*28*2	WASHER THRUST 14*28*2	1	



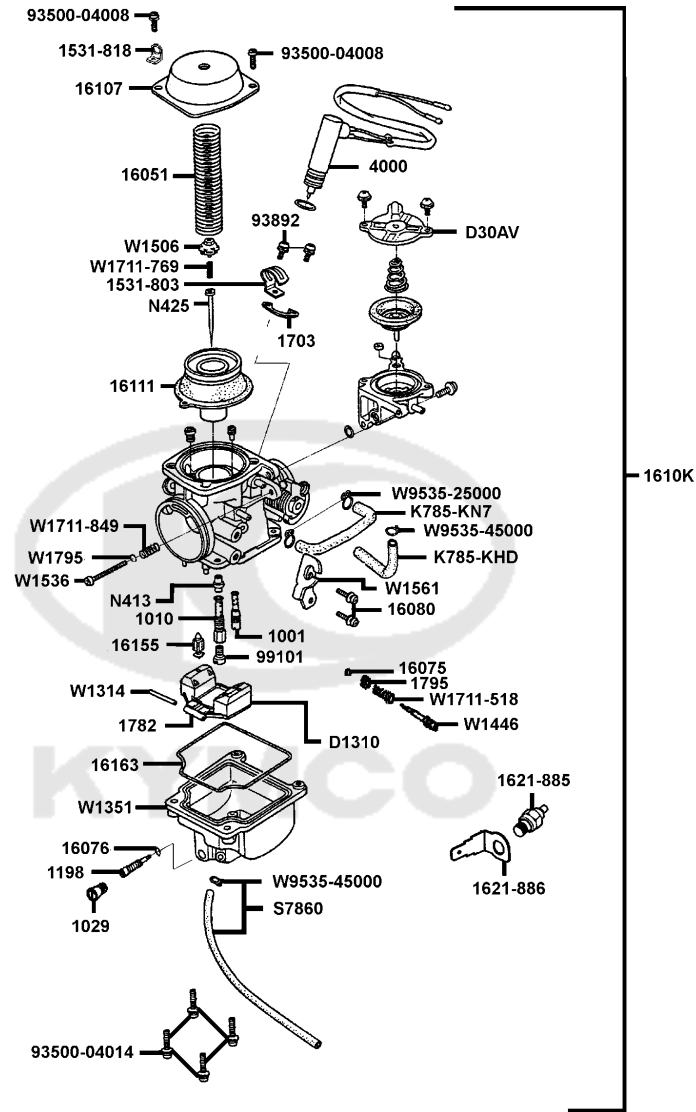
Sales mark	Ref no	Part no	Description	Reg description	Regd no	E08
90423		90423-KKJ9-001	WASHER 7.2*13*1.2	WASHER 7.2*13*1.2	1	
90478		90478-7L00-001	WASHER A 6MM	WASHER A 6MM	1	
91001		91001-KKJ9-006	BRG BALL RADIAL 6901	BRG BALL RADIAL 6901	1	
91201		91201-KKJ9-004	OIL SEAL 12*20*4	OIL SEAL 12*20*4	1	
91301		91301-KGV7-671	O-RING 14.8*1.9	O-RING 14.8*1.9	1	
91302		91302-5G67-004	O-RING 27.4*2.4	O-RING 27.4*2.4	1	
92000		92000-05032-0H	SCREW PAN 5*32	SCREW PAN 5*32	3	
93500		93500-05016-0H	SCREW PAN 5*16	SCREW PAN 5*16	4	
94301		94301-08140	PIN A DOWEL 8*14	PIN A DOWEL 8*14	2	
94520		94520-26000	CIR CLIP INTERAL 26MM	CIR CLIP INTERAL 26MM	1	
94591		94591-KFBF-900	CLIP 2*70	CLIP 2*70	1	
95002		95002-KGN7-910	CLIP TUBE	CLIP TUBE	4	
96001-06010		96001-06010-08	BOLT FLANGE SH 6*10	BOLT FLANGE SH 6*10	1	
96001-06018		96001-06018-08	BOLT FLANGE SH 6*18	BOLT FLANGE SH 6*18	1	
96001-06020		96001-06020-08	BOLT FLANGE SH 6*20	BOLT FLANGE SH 6*20	3	
96001-06022		96001-06022-08	BOLT FLANGE SH 6*22	BOLT FLANGE SH 6*22	2	
96001-06028		96001-06028-02	BOLT FLANGE SH 6*28	BOLT FLANGE SH 6*28	2	
96100		96100-60000-00	BEARING RADIAL BALL 600	BEARING RADIAL BALL 600	1	



Sales mark	Ref no	Part no	Description	Reg description	Regd no	E09
1001		1001-MA1H-0351	SLOW JET	SLOW JET	1	
1010		1010-43BH-9900	NEEDLE JET	NEEDLE JET	1	
1029		1029-845-7000	CAP	CAP	1	
1198		1198-815-2001	DRAIN SCREW	DRAIN SCREW	1	
1531-803		1531-803-2000	BINDER	BINDER	1	
1531-818		1531-818-2000	BINDER	BINDER	1	
16051		16051-KN7-7410-M1	SPG COMPR	SPG COMPR	1	
16075		16075-KG8-9010-M1	O-RING	O-RING	1	
16076		16076-ND5-0040	O-RING	O-RING	1	
16080		16080-KJ9-0031-3	SCREW PAN	SCREW PAN	2	
16107		16107-KJ9-0030	TOP SET	TOP SET	1	
1610K		1610K-KKC1-EZ0	CARBURETOR ASSY	CARBURETOR ASSY	1	
16111		16111-KN7-7410-M1	VACUUM PISTON COMP	VACUUM PISTON COMP	1	
16155		16155-ZG8-L100	FLOAT VALVE COMP	FLOAT VALVE COMP	1	
16163		16163-KCW-0000	FLOAT CHAMBER GASKET	FLOAT CHAMBER GASKET	1	
1621-885		1621-885-2000	HEATER	HEATER	1	
1621-886		1621-886-2000	PLATE	PLATE	1	
1703		1703-GJ2H-0040	SET PLATE	SET PLATE	1	
1782		1782-013H-9900	SPECIAL CLIP	SPECIAL CLIP	1	
1795		1795-KG8H-9010	PLAIN WASHER	PLAIN WASHER	1	



Sales mark	Ref no	Part no	Description	Reg description	Regd no	E09
	4000	4000-170-0000	AUTO BYSTARTER SET	AUTO BYSTARTER SET	1	
	93500-04008	93500-04008-1H	SCREW PAN	SCREW PAN	2	
	93500-04014	93500-04014-1H	SCREW WASH 4*14	SCREW WASH 4*14	4	
	93892	93892-04008-18	SCREW WASHER 4*8	SCREW WASHER 4*8	2	
	99101	99101-393-1020	MAIN JET#102	MAIN JET#102	1	
	D1310	D1310-853-0110	FLOAT COMP	FLOAT COMP	1	
	D30AV	D30AV-AR4-0100	A.C.V. ASSY	A.C.V. ASSY	1	
	K785-KHD	K785-KHD-0200	TUBE SET	TUBE SET	1	
	K785-KN7	K785-KN7-0100	RUBBER PIPE ASSY	RUBBER PIPE ASSY	1	
	N413	N413-30B00	NEEDLE JET HOLDER	NEEDLE JET HOLDER	1	
	N425	N425-9ZA00	JET NEEDLE COMP	JET NEEDLE COMP	1	
	S7860	S7860-112-B000	TUBE SET	TUBE SET	1	
	W1314	W1314-014-9901	ARM PIN	ARM PIN	1	
	W1351	W1351-433-9900	FLOAT CHAMOPER BODY	FLOAT CHAMOPER BODY	1	
	W1446	W1446-54B-9900	SCREW ADJUST	SCREW ADJUST	1	
	W1506	W1506-032-9910	VALVE PLATE	VALVE PLATE	1	
	W1536	W1536-110-9900	STOP SCREW	STOP SCREW	1	
	W1561	W1561-107-9920	STAY WIRE	STAY WIRE	1	
	W1711-518	W1711-518-9902	SPG	SPG	1	
	W1711-769	W1711-769-9910	SPG COMPR	SPG COMPR	1	



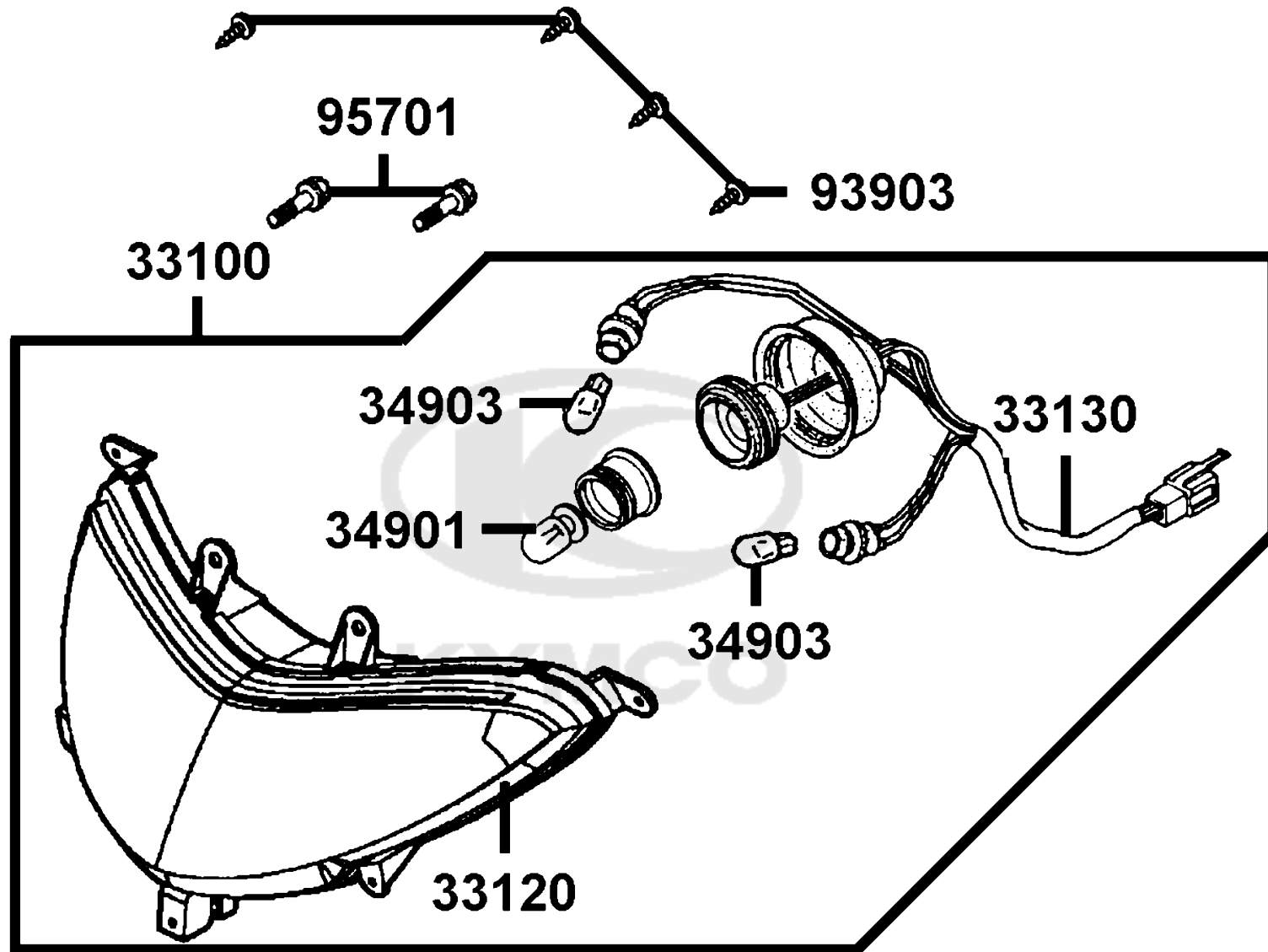
Sales mark	Ref no	Part no	Description	Reg description	Regd no	E09
------------	--------	---------	-------------	-----------------	---------	------------


	W1711-849	W1711-849-9900	SPG COMPR	SPG COMPR	1	
	W1795	W1795-157-9900	PLAIN WASHER	PLAIN WASHER	1	
	W9535-25000	W9535-25000	TUBE CLIP	TUBE CLIP	2	
	W9535-45000	W9535-45000	TUBE CLIP	TUBE CLIP	2	

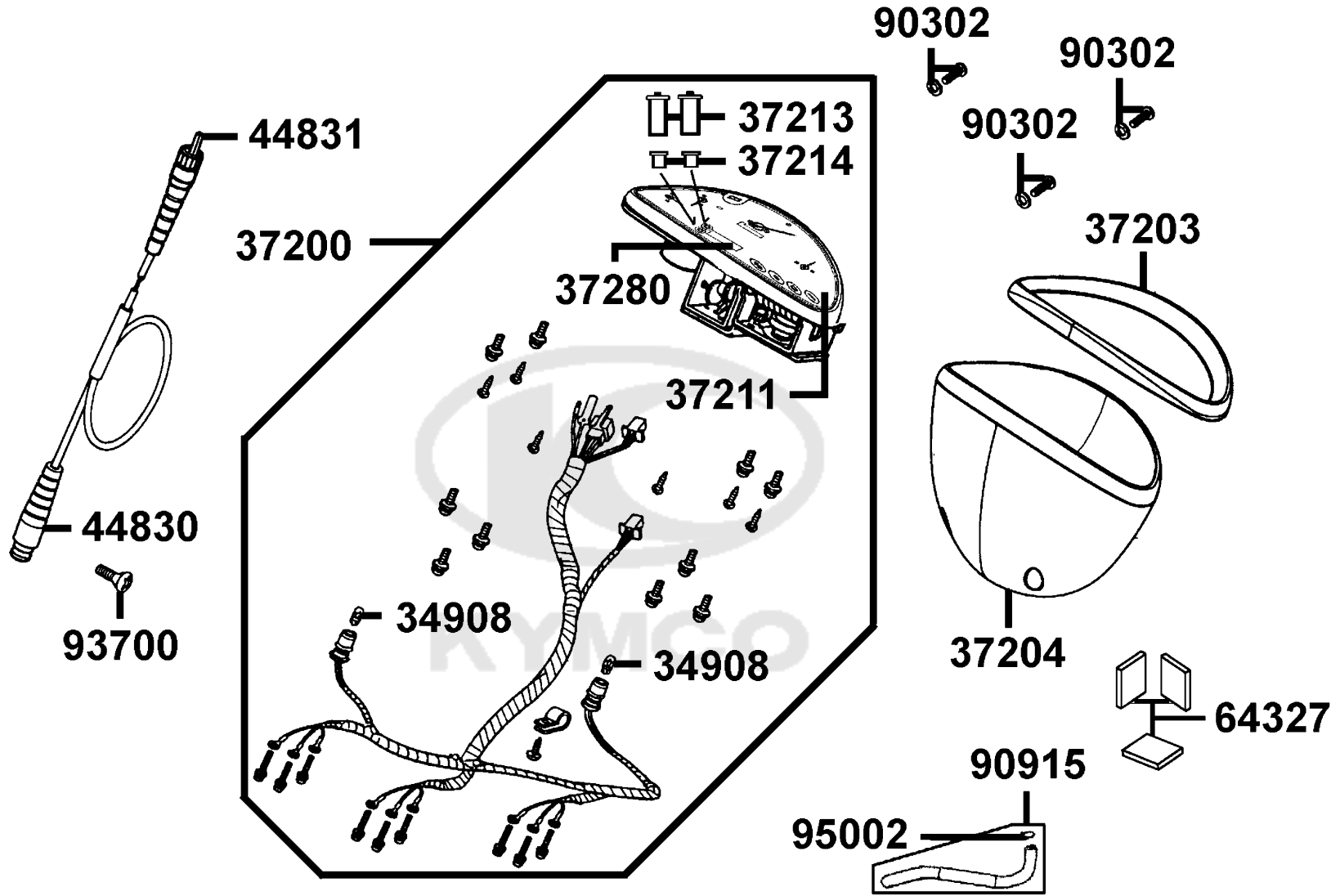


F01

Head Light

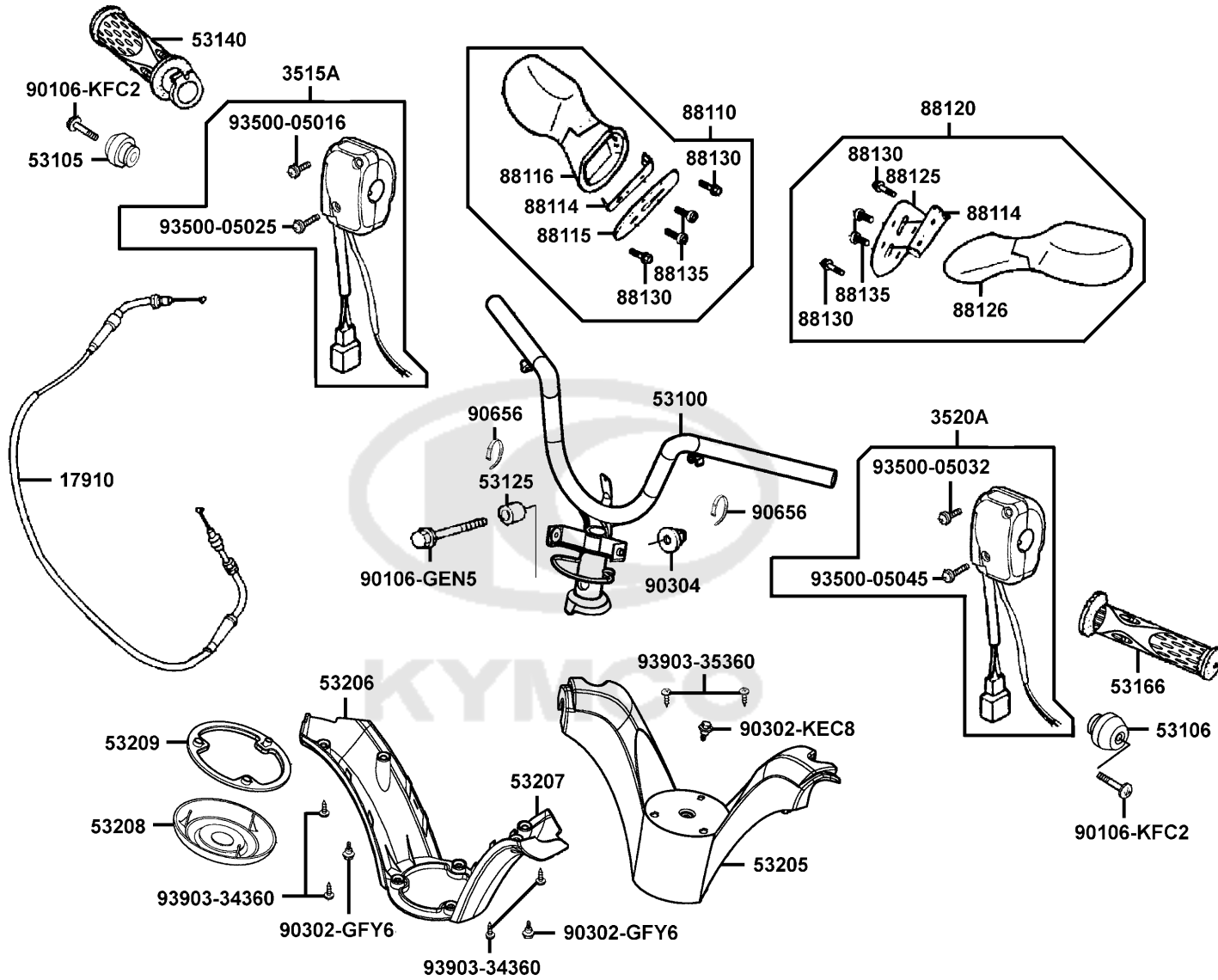


Sales mark	Ref no	Part no	Description	Reg description	Regd no	F01
	33100	33100-KKC4-E00	LIGHT ASSY HEAD	LIGHT ASSY HEAD	1	
	33120	33120-KKC4-E00	UNIT HEAD LIGHT	UNIT HEAD LIGHT	1	
	33130	33130-KKC4-E00	SOCKET COMP HEAD	SOCKET COMP HEAD	1	
	34901	34901-KED9-900	BULB HEAD LIGHT	BULB HEAD LIGHT	1	
	34903	34903-KPCP-900	BULB POSITION	BULB POSITION	2	
	93903	93903-35360	SCREW TAPPING 5*16	SCREW TAPPING 5*16	4	
	95701	95701-06012-08	BOLT FLANGE 6*12	BOLT FLANGE 6*12	2	
						



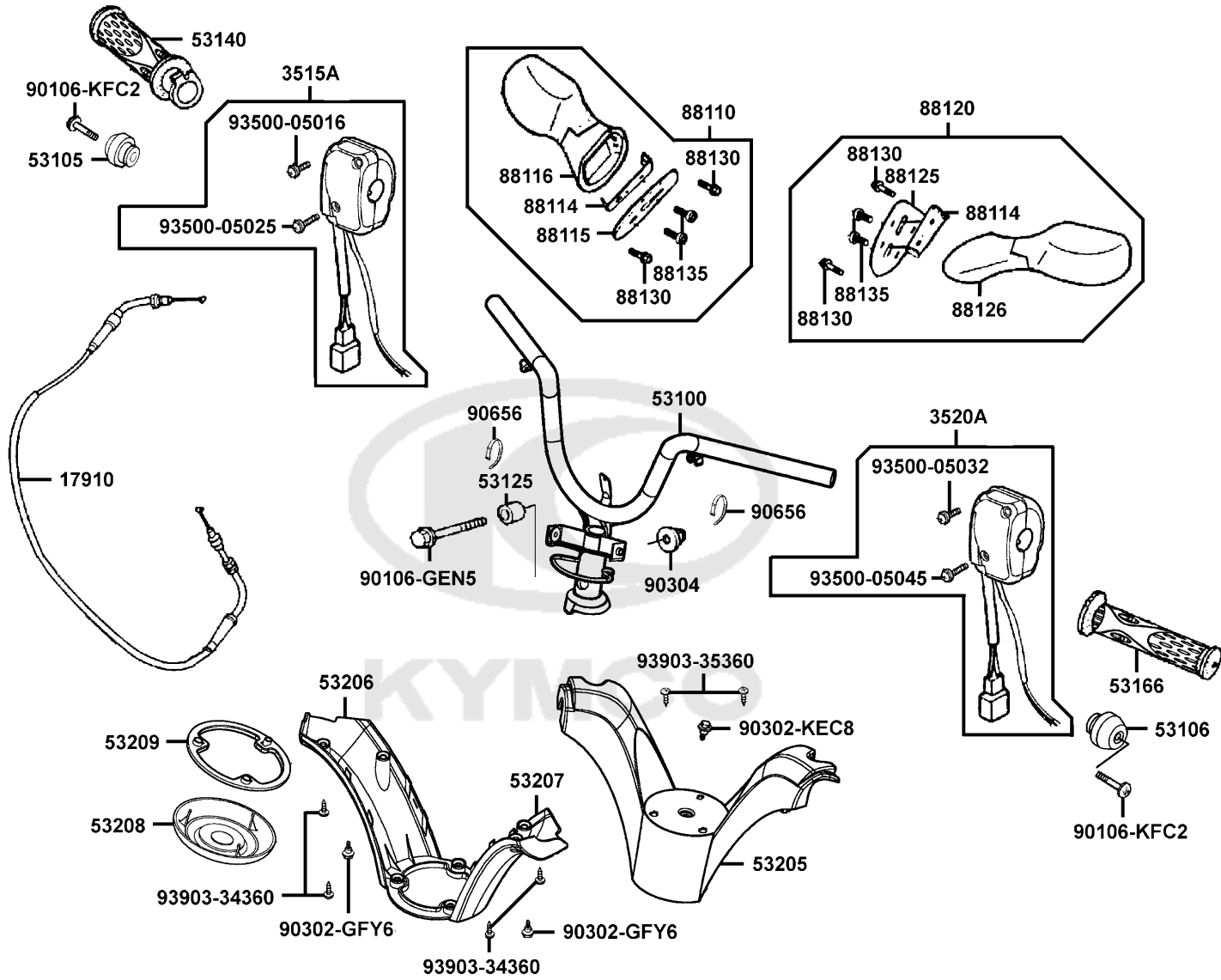
Sales mark	Ref no	Part no	Description	Reg description	Regd no	F02
	34908	34908-MKB9-87A	BULB WEDGE BASE 12V*1.7W	BULB WEDGE BASE 12V*1.7W	2	
	37200	37200-KKC1-E00	METER ASSY SPEED	METER ASSY SPEED	1	
	** 37203	37203-KKC3-900	METER COVER FR	METER COVER FR	1	
	** 37204	37204-KKC3-900	METER COVER RR	METER COVER RR	1	
	37211	37211-KKC3-900	LENS ASSY	LENS ASSY	1	
	37213	37213-KKC3-900	PACKING	PACKING	2	
	37214	37214-KKC3-900	RESET PIN	RESET PIN	2	
	37280	37280-KKC3-900	LCD ASSY (CLOCK)	LCD ASSY (CLOCK)	1	
	44830	44830-KKC4-900	CABLE COMP SPDMT	CABLE COMP SPDMT	1	
	44831	44831-KKC4-900	CABLE INNER	CABLE INNER	1	
	64327	64327-KKC4-900	SPONGE TAPE METER COVER	SPONGE TAPE METER COVER	3	
	90302	90302-GFY6-940	BOLT WASHER 5*16	BOLT WASHER 5*16	3	
	90915	90915-KKC4-900	TUBE DRAIN	TUBE DRAIN	1	
	93700	93700-05018-0H	SCREW OVAL 5*18	SCREW OVAL 5*18	1	
	95002	95002-50000	CLIP C9 TUBE	CLIP C9 TUBE	1	

Handle Steering Handle Cover

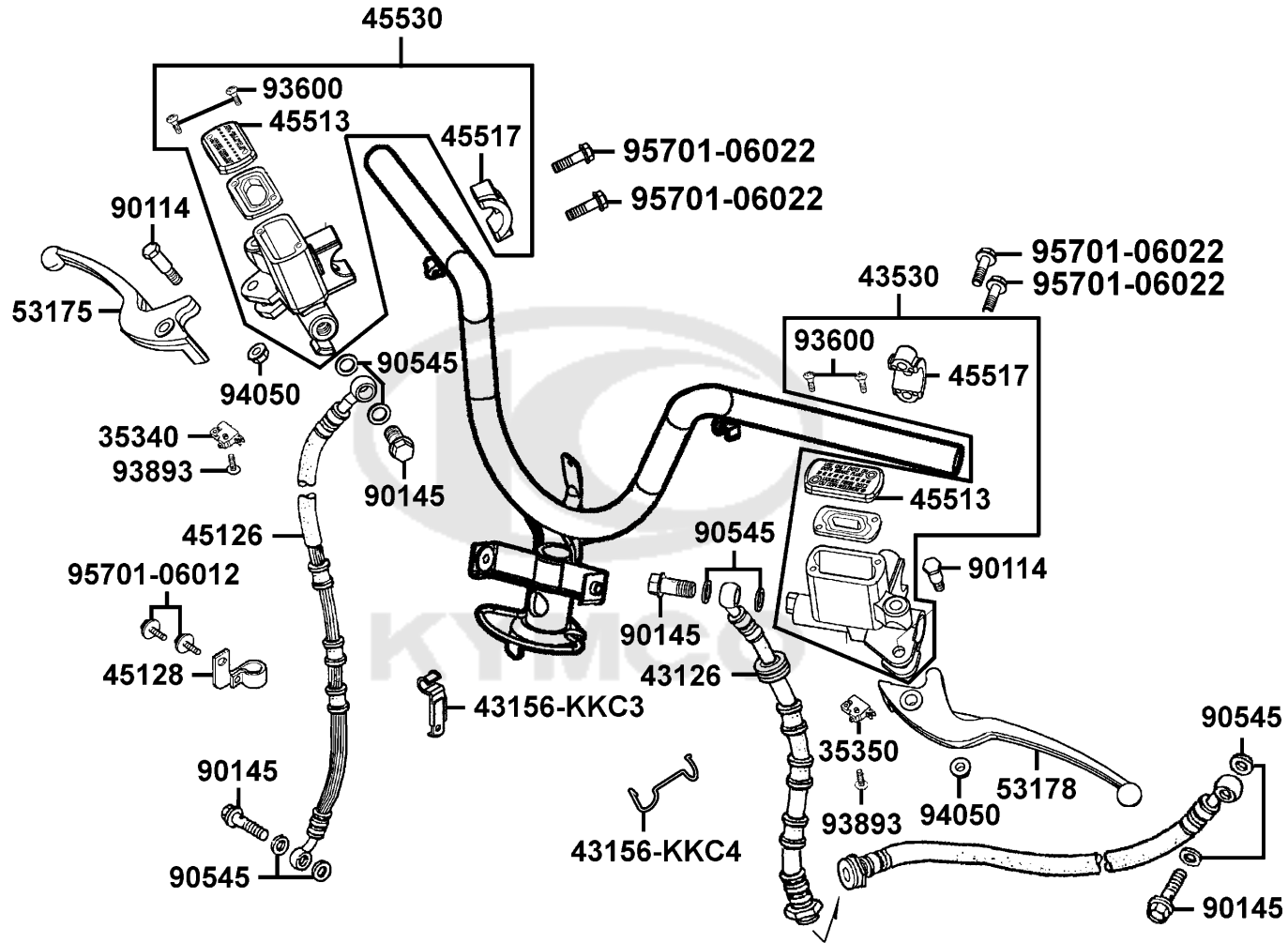


Sales mark	Ref no	Part no	Description	Reg description	Regd no	F03
	17910	17910-KKC3-900	CABLE COMP THROT	CABLE COMP THROT	1	
	3515A	3515A-KKC2-E00	SW ASSY RH HANDLE COMP	SW ASSY RH HANDLE COMP	1	
	3520A	3520A-KEBE-900	SW ASSY L HNDL COMP	SW ASSY L HNDL COMP	1	
	53100	53100-KKC4-900	HANDLE COMP STRG	HANDLE COMP STRG	1	
	53105	53105-KKC4-900	END R STRG HANDLE	END R STRG HANDLE	1	
	53106	53106-KKC4-900	END L STRG HANDLE	END L STRG HANDLE	1	
	53125	53125-GEN5-901	COLLAR HANDLE SET	COLLAR HANDLE SET	1	
**	53205	53205-KKC4-900	COVER HNDL UP	COVER HNDL UP	1	
**	53206	53206-KKC4-900	COVER R HANDLE LOW	COVER R HANDLE LOW	1	
**	53207	53207-KKC4-900	COVER L HANDLE LOW	COVER L HANDLE LOW	1	
**	53208	53208-KKC4-900	GRILL HANDLE UP	GRILL HANDLE UP	1	
	53209	53209-KKC4-900	PACKING HANDLE UP	PACKING HANDLE UP	1	
**	88110	88110-KKC3-900	MIRROR ASSY R BACK	MIRROR ASSY R BACK	1	
	88114	88114-KKC4-900	STAY MIRROR	STAY MIRROR	2	
	88115	88115-KKC4-900	PAD R MIRROR	PAD R MIRROR	1	
	88116	88116-KKC4-900	BASE R MIRROR	BASE R MIRROR	1	
**	88120	88120-KKC3-900	MIRROR ASSY L BACK	MIRROR ASSY L BACK	1	
	88125	88125-KKC4-900	PAD L MIRROR	PAD L MIRROR	1	
	88126	88126-KKC4-900	BASE L MIRROR	BASE L MIRROR	1	
	88130	88130-KKC4-900	BOLT SPECIAL	BOLT SPECIAL	4	

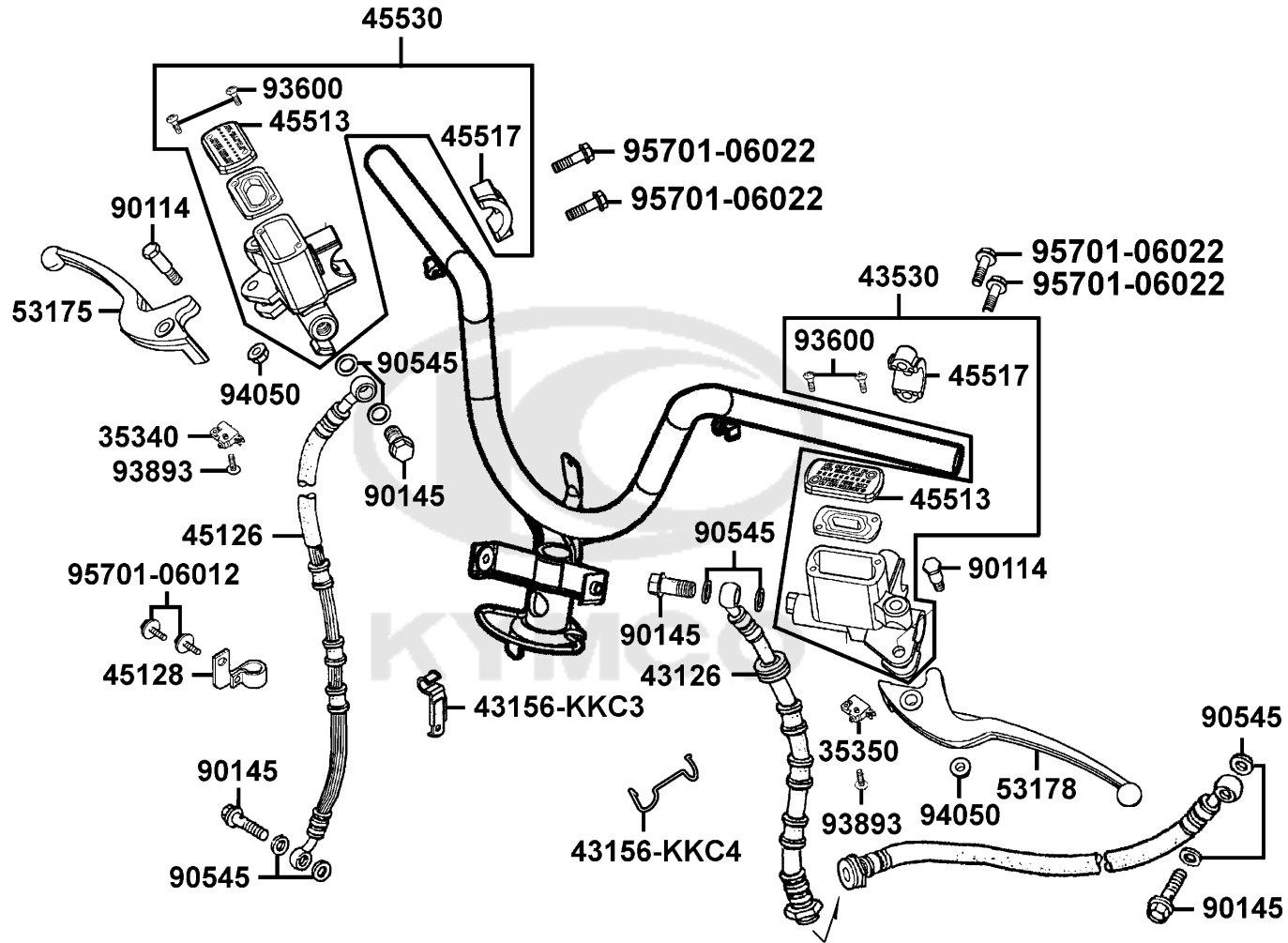
Handle Steering Handle Cover



Sales mark	Ref no	Part no	Description	Reg description	Regd no	F03
88135		88135-KKC4-900	SCREW PAN 5*20	SCREW PAN 5*20	4	
90106-GEN5		90106-GEN5-901	BOLT FLANGE 10*50	BOLT FLANGE 10*50	1	
90106-KFC2		90106-KFC2-900	BOLT WASH 8MM	BOLT WASH 8MM	2	
90302-GFY6		90302-GFY6-901	BOLT WASH 5*12	BOLT WASH 5*12	2	
90302-KEC8		90302-KEC8-900	BOLT PAN 5*9	BOLT PAN 5*9	1	
90304		90304-GHE8-004	NUT U 10MM	NUT U 10MM	1	
90656		90656-KCBC-900	BAND OIL HANDLE	BAND OIL HANDLE	1	
93500-05016		93500-05016-1B	SCREW PAN 5*16	SCREW PAN 5*16	1	
93500-05025		93500-05025-1B	SCREW PAN 5*25	SCREW PAN 5*25	1	
93500-05032		93500-05032-1B	SCREW PAN 5*32	SCREW PAN 5*32	1	
93500-05045		93500-05045-1B	SCREW PAN 5*45	SCREW PAN 5*45	1	
93903-34360		93903-34360	SCREW TAPPING 4*12	SCREW TAPPING 4*12	4	
93903-35360		93903-35360	SCREW TAPPING 5*16	SCREW TAPPING 5*16	2	



Sales mark	Ref no	Part no	Description	Reg description	Regd no	F04
	35340	35340-KNBN-901	SW ASSY FR STOP	SW ASSY FR STOP	1	
	35350	35350-KNBN-901	SW ASSY RR STOP	SW ASSY RR STOP	1	
	43126	43126-KKC2-E00	HOSE ASSY RR BRAAKE	HOSE ASSY RR BRAAKE	1	
	43156-KKC3	43156-KKC3-900	CLAMPER B HOSE RR	CLAMPER B HOSE RR	1	
	43156-KKC4	43156-KKC4-900	CLAMPER HOSE RR	CLAMPER HOSE RR	1	
	43530	43530-KFC8-305	CYLN SET RR MASTER	CYLN SET RR MASTER	1	
	45126	45126-KKC2-900	HOSE ASSY FR BRK	HOSE ASSY FR BRK	1	
	45128	45128-KEBE-900	CLAMPER FR BRAKE HOSE	CLAMPER FR BRAKE HOSE	1	
	45513	45513-KXCX-M00	CAP MASTER CYLINDER	CAP MASTER CYLINDER	2	
	45517	45517-KFAF-910	HOLDER M/C	HOLDER M/C	2	
	45530	45530-KFC8-E00	CYLN SET FR MASTER	CYLN SET FR MASTER	1	
**	53175	53175-KFA5-E10	LEVER R STRG HNDL	LEVER R STRG HNDL	1	
**	53178	53178-KFC8-E10	LEVER L STRG HANDLE	LEVER L STRG HANDLE	1	
	90114	90114-1F66-007	BOLT HANDLE LEVER	BOLT HANDLE LEVER	2	
	90145	90145-MKS9-61A	OIL BOLT 10*22	OIL BOLT 10*22	4	
	90545	90545-3L00-001	WASHER OIL BOLT	WASHER OIL BOLT	8	
	93600	93600-04012-1G	SCREW FLAT 4*12	SCREW FLAT 4*12	4	
	93893	93893-04012-18	SCREW WASHER 4*12	SCREW WASHER 4*12	2	
	94050	94050-06080	NUT FLANGE 6MM	NUT FLANGE 6MM	2	
	95701-06012	95701-06012-08	BOLT FLANGE 6*12	BOLT FLANGE 6*12	2	



Sales mark	Ref no	Part no	Description	Reg description	Regd no	F04
------------	--------	---------	-------------	-----------------	---------	------------

95701-06022

95701-06022-06

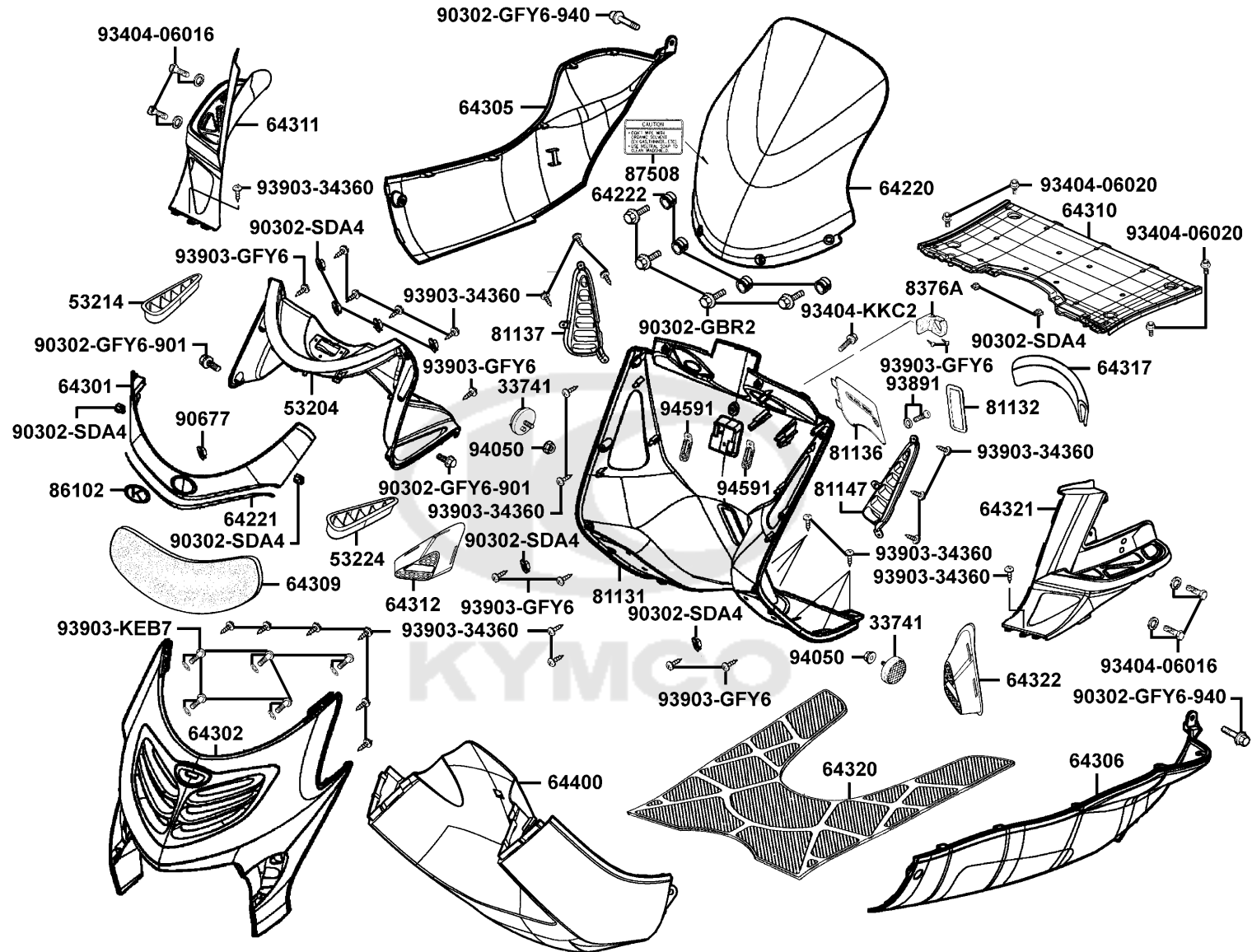
BOLT FLANGE 6*22

BOLT FLANGE 6*22

4

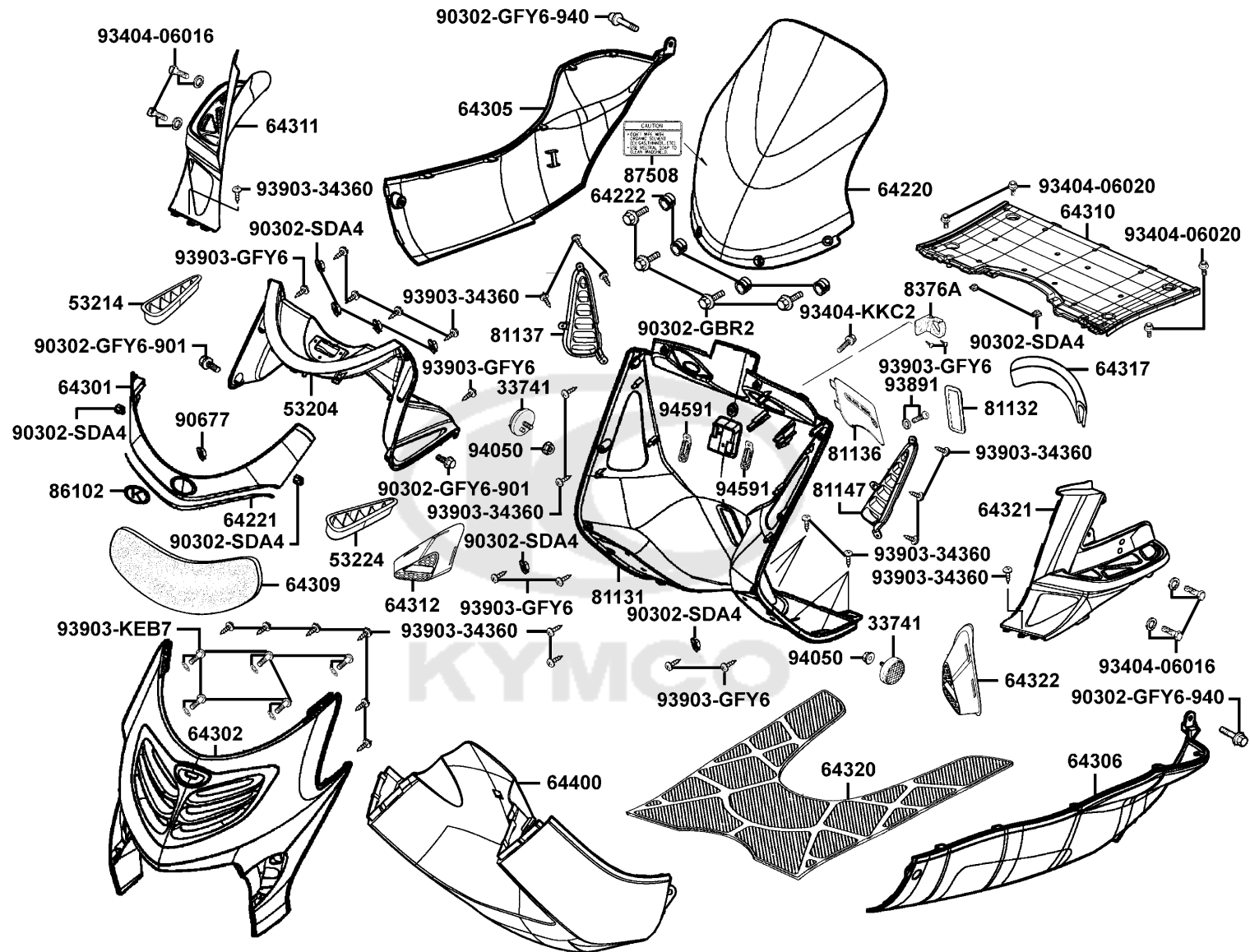


Front Cover/Floor Panel



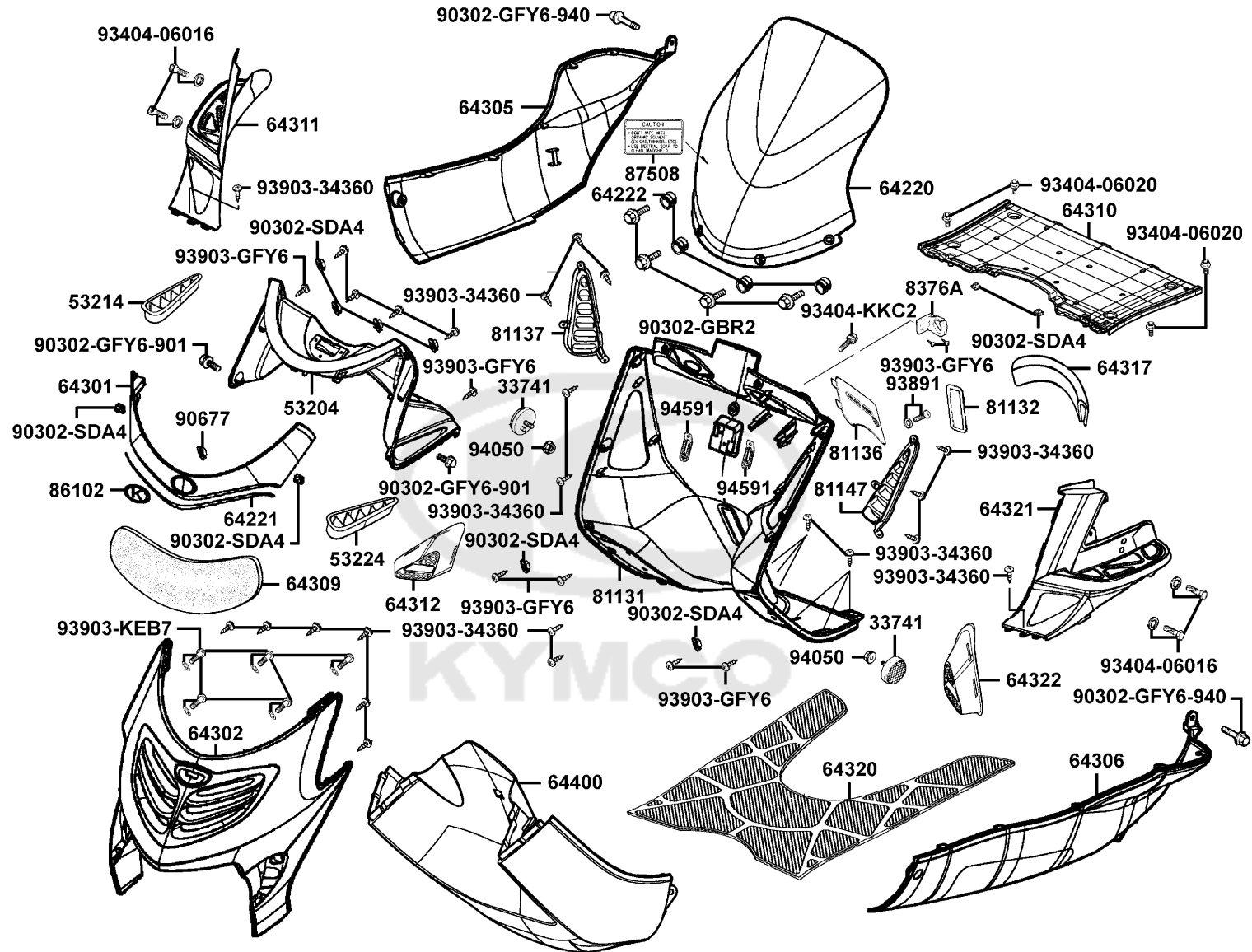
Sales mark	Ref no	Part no	Description	Reg description	Regd no	F05
	33741	33741-GFY6-C30	REFLEX REFLECTOR	REFLEX REFLECTOR	2	
**	53204	53204-KKC4-900	COVER METER	COVER METER	1	
**	53214	53214-KKC4-900	GRID R METER COVER	GRID R METER COVER	1	
**	53224	53224-KKC4-900	GRID L METER COVER	GRID L METER COVER	1	
	64220	64220-KKC4-900	WIND SCREEN	WIND SCREEN	1	
	64221	64221-KKC4-900	SEAL WIND SCREEN	SEAL WIND SCREEN	1	
	64222	64222-KKC4-900	RUBBER WIND SCREEN	RUBBER WIND SCREEN	4	
**	64301	64301-KKC4-900	COVER SCREEN	COVER SCREEN	1	
**	64302	64302-KKC4-900	MOLDING FR	MOLDING FR	1	
**	64305	64305-KKC4-900	SKIRT R SIDE	SKIRT R SIDE	1	
**	64306	64306-KKC4-900	SKIRT L SIDE	SKIRT L SIDE	1	
	64309	64309-KKC4-900	GRILL FR COVER	GRILL FR COVER	1	
**	64310	64310-KKC4-900	FLOOR PANEL	FLOOR PANEL	1	
**	64311	64311-KKC4-900	COVER R PILLION STEP	COVER R PILLION STEP	1	
**	64312	64312-KKC4-900	GRID R PILLION STEP	GRID R PILLION STEP	1	
	64317	64317-KKC4-900	SEAL METER COVER FR	SEAL METER COVER FR	1	
**	64320	64320-KKC4-900	MAT FLOOR	MAT FLOOR	1	
**	64321	64321-KKC4-900	COVER L PILLION STEP	COVER L PILLION STEP	1	
**	64322	64322-KKC4-900	GRID L PILLION STEP	GRID L PILLION STEP	1	
**	64400	64400-KKC4-900	COWL UNDER	COWL UNDER	1	

Front Cover/Floor Panel



Sales mark	Ref no	Part no	Description	Reg description	Regd no	F05
**	81131	81131-KKC4-900	LEG SHIELD	LEG SHIELD	1	
**	81132	81132-KEB7-900	LID LEG SHIELD	LID LEG SHIELD	1	
**	81136	81136-KKC4-900	LID RESERVE TANK	LID RESERVE TANK	1	
**	81137	81137-KKC4-900	GRID R LEG SHIELD	GRID R LEG SHIELD	1	
**	81147	81147-KKC4-900	GRID L LEG SHIELD	GRID L LEG SHIELD	1	
	8376A	8376A-KEBE-900	CLIP ASSY CENTER	CLIP ASSY CENTER	1	
**	86102	86102-KFA6-E00	EMB K-LOGO 30MM	EMB K-LOGO 30MM	1	
**	87508	87508-KKC4-E00	LABEL CLEANNESS CAUYION	LABEL CLEANNESS CAUYION	1	
	90302-GBR2	90302-GBR2-001	BOLT WASHER 5*16	BOLT WASHER 5*16	4	
	90302-GFY6-901	90302-GFY6-901	BOLT WASH 5*12	BOLT WASH 5*12	2	
	90302-GFY6-940	90302-GFY6-940	BOLT WASHER 5*16	BOLT WASHER 5*16	2	
	90302-SDA4	90302-SDA4-004	NUT SPRING 4MM	NUT SPRING 4MM	10	
	90677	90677-GAR1-004	NUT CLIP 5MM	NUT CLIP 5MM	1	
	93404-06016	93404-06016-06	BOLT WASHER 6*16	BOLT WASHER 6*16	4	
	93404-06020	93404-06020-06	BOLT WASHER 6*20	BOLT WASHER 6*20	4	
	93404-KKC2	93404-KKC2-900	BOLT WASH 6*16	BOLT WASH 6*16	1	
	93891	93891-05012-06	SCREW WASHER 5*12	SCREW WASHER 5*12	1	
	93903-34360	93903-34360	SCREW TAPPING 4*12	SCREW TAPPING 4*12	28	
	93903-GFY6	93903-GFY6-900	SCREW TAPP 4*14	SCREW TAPP 4*14	8	
	93903-KEB7	93903-KEB7-900-06	SCREW WASHER 4MM	SCREW WASHER 4MM	5	

Front Cover/Floor Panel



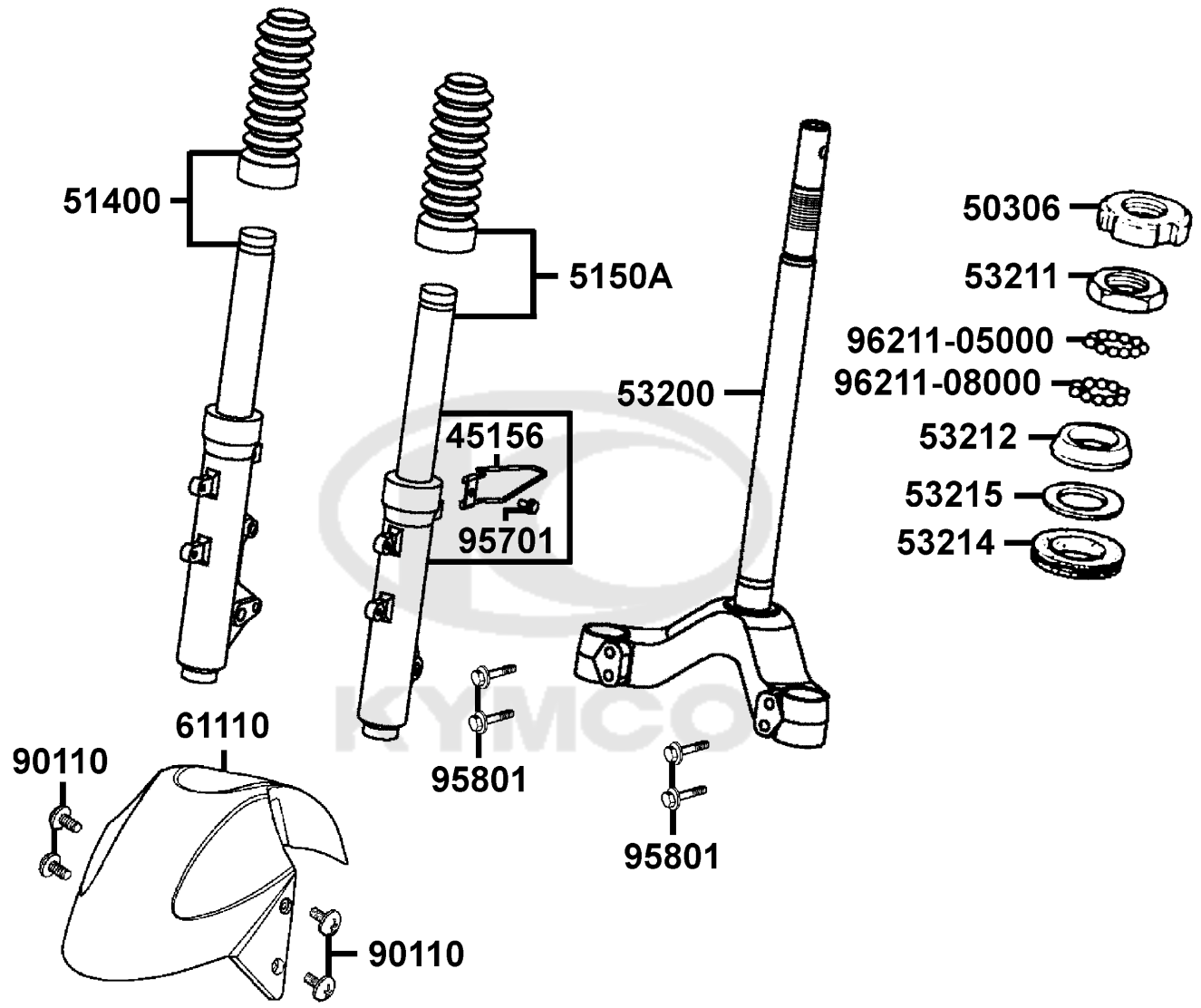
Sales mark	Ref no	Part no	Description	Reg description	Regd no	F05
------------	--------	---------	-------------	-----------------	---------	------------

94050		94050-06080	NUT FLANGE 6MM	NUT FLANGE 6MM	2	
94591		94591-27000	CLIP 2*100	CLIP 2*100	2	



F06

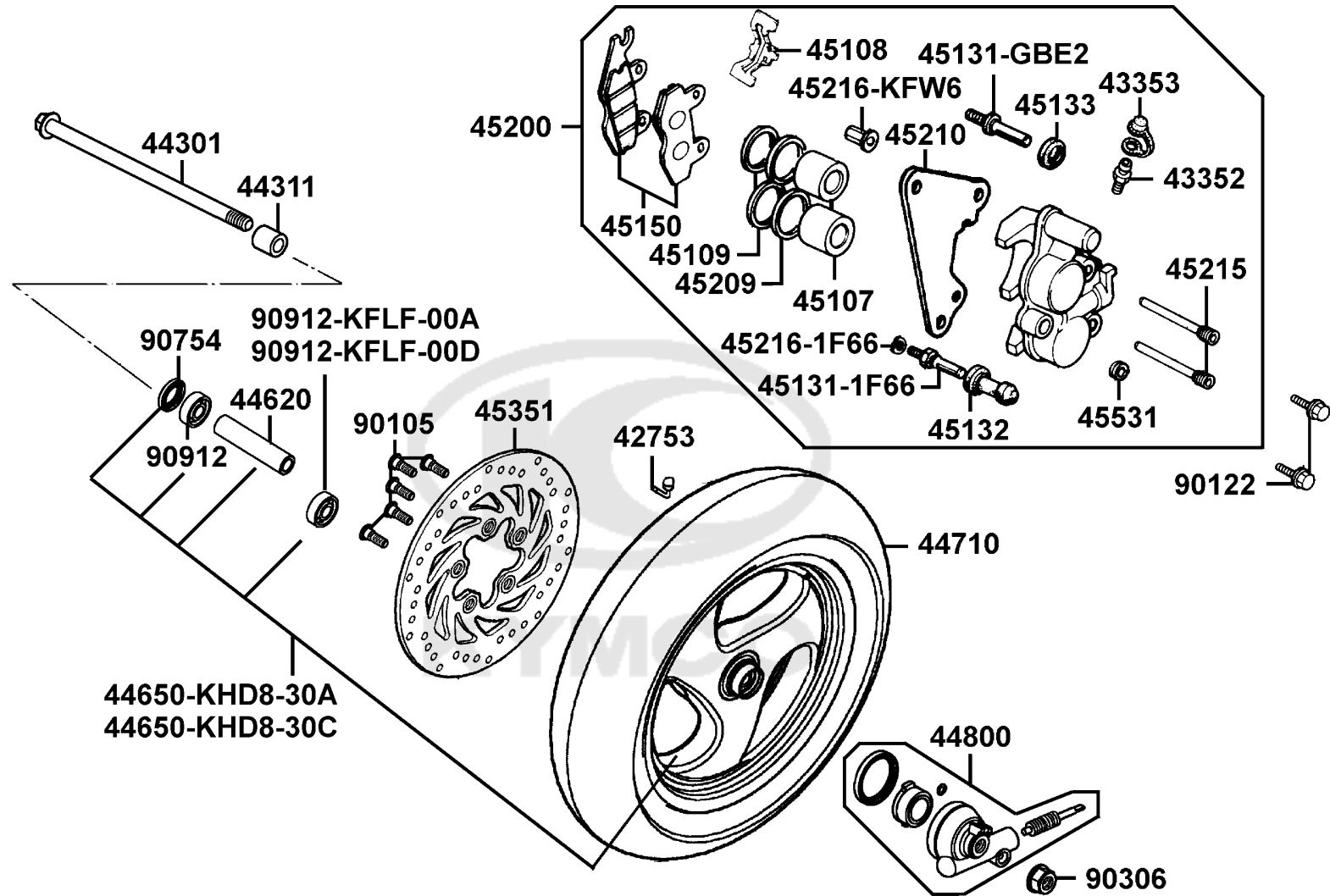
Front Cushion



Sales mark	Ref no	Part no	Description	Reg description	Regd no	F06
	45156	45156-KECE-900	CLAMPER FR BRK CABLE	CLAMPER FR BRK CABLE	1	
	50306	50306-1F96-001	NUT STRG STEM LOCK	NUT STRG STEM LOCK	1	
**	51400	51400-KKC4-900	FORK ASSY R FR	FORK ASSY R FR	1	
**	5150A	5150A-KKC4-900	FORK SET L FR	FORK SET L FR	1	
	53200	53200-KKC2-900	STEM COMP STRG	STEM COMP STRG	1	
	53211	53211-GFY6-940	RACE STRG TOP CONE	RACE STRG TOP CONE	1	
	53212	53212-2L50-011	RACE (STRG BOTTOM) CONE	RACE (STRG BOTTOM) CONE	1	
	53214	53214-2L50-001	DUST SEAL STRG	DUST SEAL STRG	1	
	53215	53215-2L50-001	WASHER STRG HEAD DUST	WASHER STRG HEAD DUST	1	
**	61110	61110-KHD8-900	FENDER FR	FENDER FR	1	
	90110	90110-KEB7-900	SCREW SPECIAL 6*14	SCREW SPECIAL 6*14	4	
	95701	95701-06012-08	BOLT FLANGE 6*12	BOLT FLANGE 6*12	1	
	95801	95801-08040-08	BOLT FLANGE 8*40	BOLT FLANGE 8*40	4	
	96211-05000	96211-05000	BALL STEEL #5	BALL STEEL #5	26	
	96211-08000	96211-08000	BALL STEEL #8	BALL STEEL #8	19	

F07

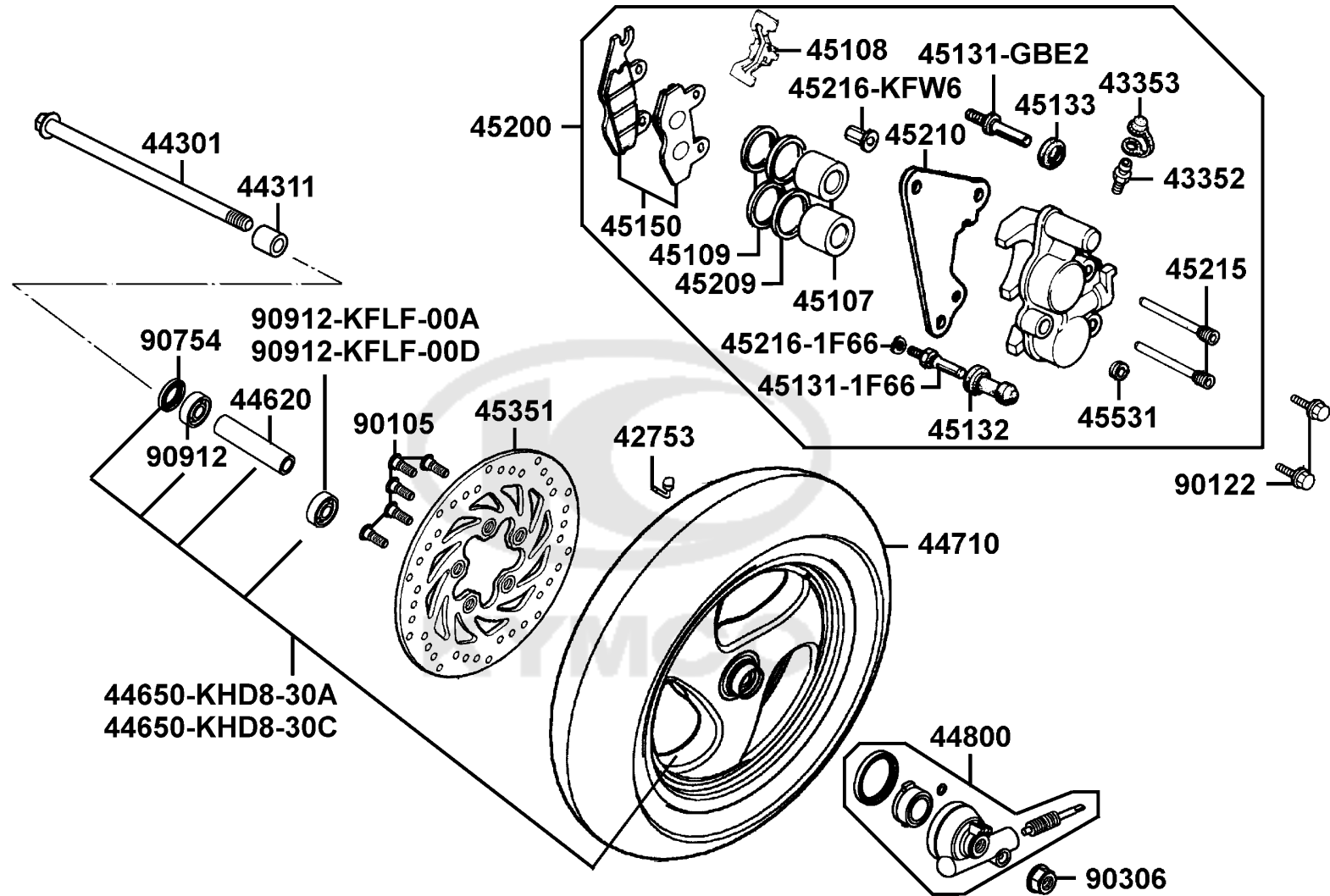
Front Wheel



Sales mark	Ref no	Part no	Description	Reg description	Regd no	F07
	42753	42753-KXCX-900	VALVE RIM PVR 70B	VALVE RIM PVR 70B	1	
	43352	43352-5H68-004	SCREW BLEEDER	SCREW BLEEDER	1	
	43353	43353-4A61-77A	CAP BLEEDER	CAP BLEEDER	1	
	44301	44301-KXCX-900	AXLE FR WHEEL	AXLE FR WHEEL	1	
	44311	44311-KEBE-900	COLLAR FR WHEEL SIDE	COLLAR FR WHEEL SIDE	1	
	44620	44620-KHD8-900	COLLAR FR AXLE DISTANCE	COLLAR FR AXLE DISTANCE	1	
**	44650-KHD8-30A	44650-KHD8-30A	WHEEL SET FR	WHEEL SET FR	1	
**	44650-KHD8-30C	44650-KHD8-30C	WHEEL SET FR	WHEEL SET FR	1	
	44710	44710-KKC4-900	TIRE ASSY FR /CHENG SHIN	TIRE ASSY FR /CHENG SHIN	1	
	44800	44800-KFA5-900	GEAR BOX ASSY	GEAR BOX ASSY	1	
	45107	45107-MEN5-007	PISTON	PISTON	2	
	45108	45108-MDL4-007	PAD SPRING	PAD SPRING	1	
	45109	45109-GBE2-007	DUST SEAL	DUST SEAL	2	
	45131-1F66	45131-1F66-017	PIN BOLT	PIN BOLT	1	
	45131-GBE2	45131-GBE2-007	PIN BOLT A	PIN BOLT A	1	
	45132	45132-1F66-017	BUSH BOOT PIN	BUSH BOOT PIN	1	
	45133	45133-MCA3-007	BOOT B	BOOT B	1	
	45150	45150-LLB5-305	PAD COMP	PAD COMP	1	
**	45200	45200-KKC2-E00	CALIPER ASSY FR	CALIPER ASSY FR	1	
	45209	45209-GBE2-007	SEAL PISTON	SEAL PISTON	2	

F07

Front Wheel

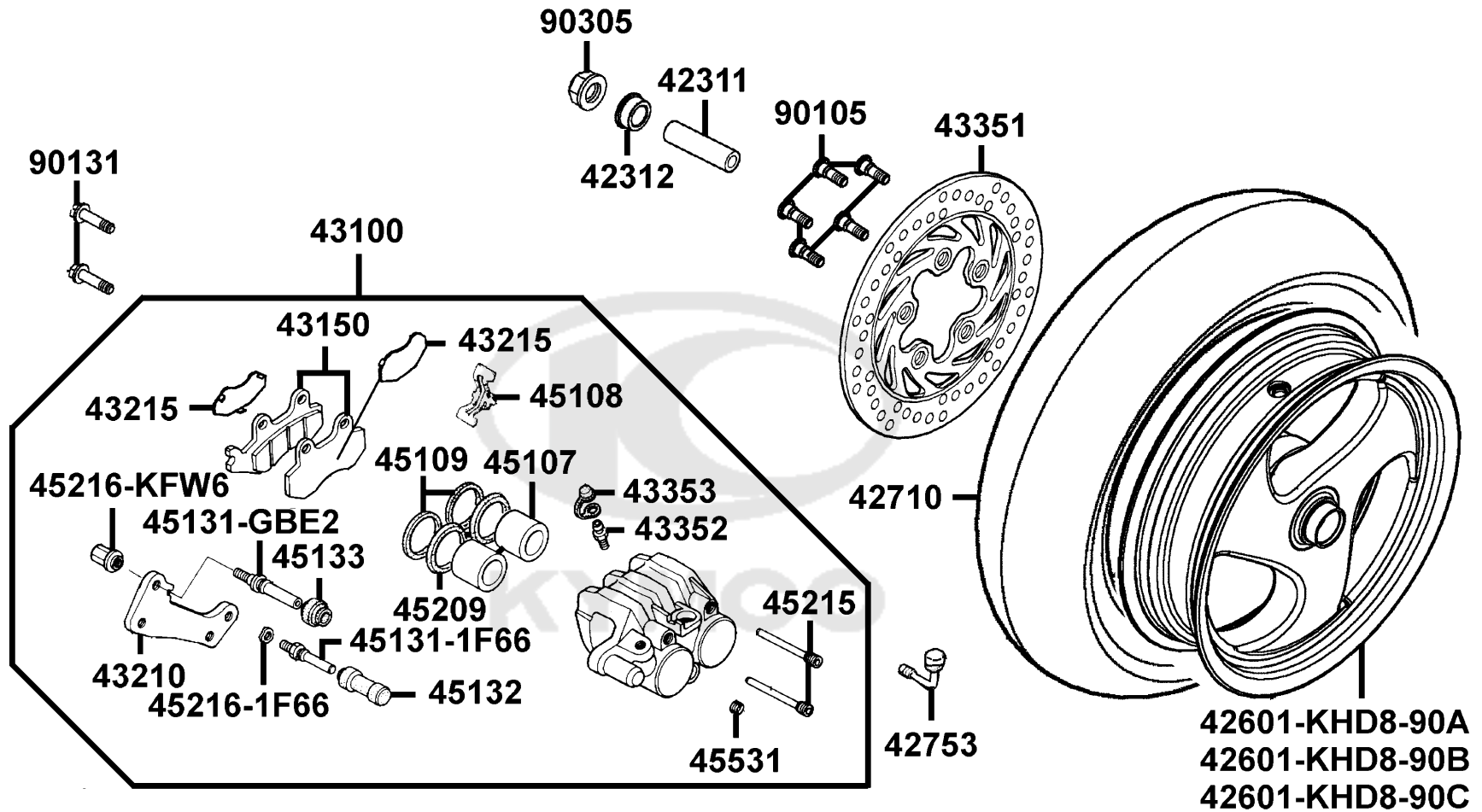


Sales mark	Ref no	Part no	Description	Reg description	Regd no	F07
45210		45210-KHD8-900	BRACKET FR	BRACKET FR	1	
45215		45215-KECE-900	PIN HANGER	PIN HANGER	2	
45216-1F66		45216-1F66-007	WASHER WAVE	WASHER WAVE	1	
45216-KFW6		45216-KFW6-90A	TORQUE NUT	TORQUE NUT	1	
45351		45351-KHE7-E00	DISK RR BRAKE	DISK RR BRAKE	1	
90105		90105-KCR3-001	BOLT FR DISK 8*24	BOLT FR DISK 8*24	5	
90122		90122-KEBE-900	BOLT FLANGE 8X32	BOLT FLANGE 8X32	2	
90306		90306-GLW0-90A	NUT FLANGE 12MM	NUT FLANGE 12MM	1	
90754		90754-GHC8-00A	SEAL DUST 20*32*5	SEAL DUST 20*32*5	1	
90912-KFLF-00A		90912-KFLF-00A	BEARING 6201 LLU	BEARING 6201 LLU	2	
90912-KFLF-00D		90912-KFLF-00D	BEARING 6201 LLU	BEARING 6201 LLU	2	



F08

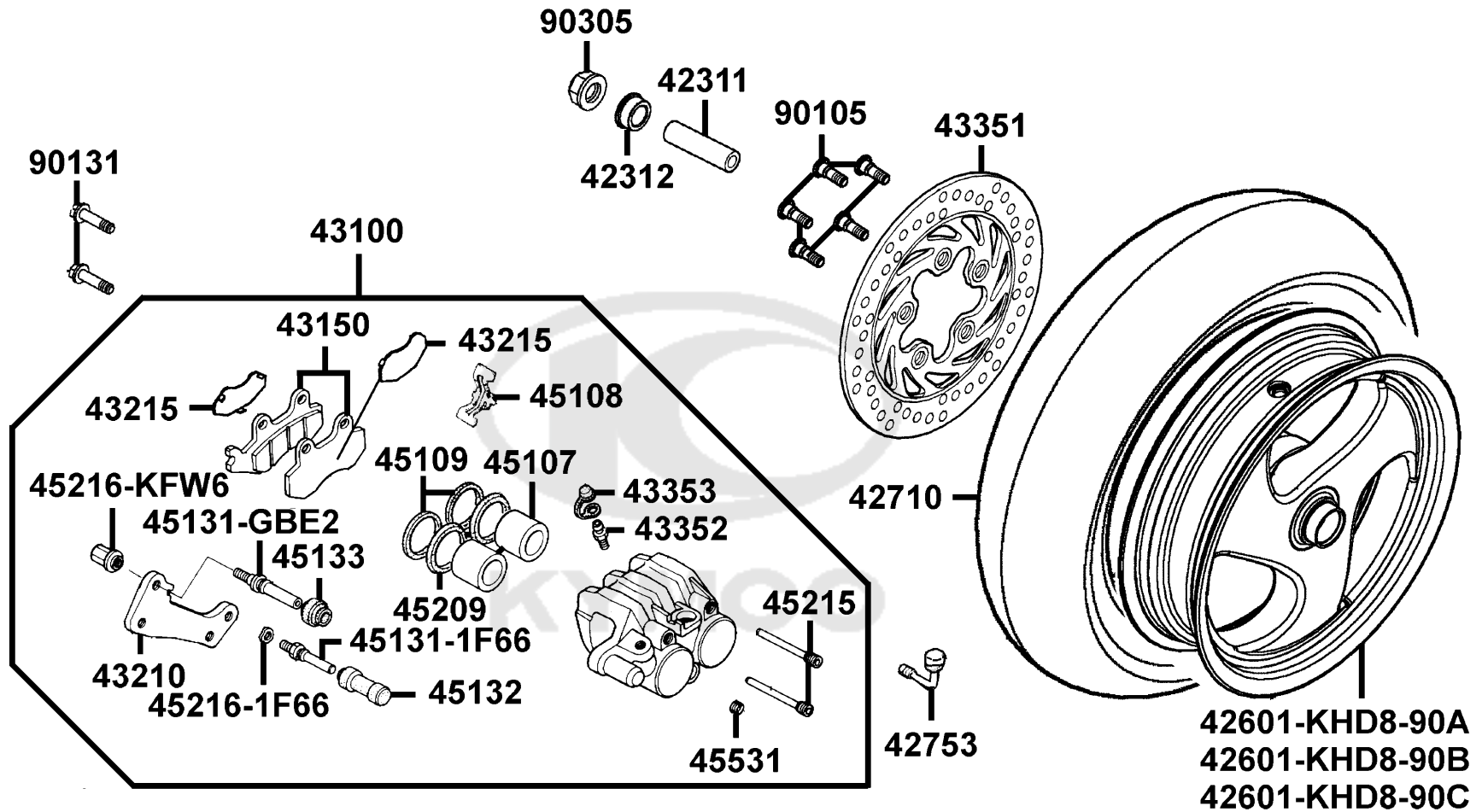
Rear Wheel



Sales mark	Ref no	Part no	Description	Reg description	Regd no	F08
	42311	42311-KFC8-900	COLLAR RR AXLE A	COLLAR RR AXLE A	1	
	42312	42312-KEBE-900	COLLAR RR AXLE SIDE	COLLAR RR AXLE SIDE	1	
**	42601-KHD8-90A	42601-KHD8-90A	WHEEL COMP RR CAST	WHEEL COMP RR CAST	1	
**	42601-KHD8-90B	42601-KHD8-90B	WHEEL RR CAST	WHEEL RR CAST	1	
**	42601-KHD8-90C	42601-KHD8-90C	WHEEL RR CAST	WHEEL RR CAST	1	
	42710	42710-KKC3-900	TIRE ASSY RR /CHENG SHIN	TIRE ASSY RR /CHENG SHIN	1	
	42753	42753-0D04-900	RIM VALVE/PVR 70	RIM VALVE/PVR 70	1	
**	43100	43100-KEBE-910	CALIPER ASSY RR	CALIPER ASSY RR	1	
	43150	43150-KEBE-306	PAD COMP	PAD COMP	1	
**	43210	43210-KEBE-900	BRACKET RR	BRACKET RR	1	
	43215	43215-KEBE-900	PAD HANGER	PAD HANGER	2	
**	43351	43351-KHE7-E00	DISK RR BRAKE	DISK RR BRAKE	1	
	43352	43352-5H68-004	SCREW BLEEDER	SCREW BLEEDER	1	
	43353	43353-4A61-77A	CAP BLEEDER	CAP BLEEDER	1	
	45107	45107-MEN5-007	PISTON	PISTON	2	
	45108	45108-MDL4-007	PAD SPRING	PAD SPRING	1	
	45109	45109-GBE2-007	DUST SEAL	DUST SEAL	2	
	45131-1F66	45131-1F66-017	PIN BOLT	PIN BOLT	1	
	45131-GBE2	45131-GBE2-007	PIN BOLT A	PIN BOLT A	1	
	45132	45132-1F66-017	BUSH BOOT PIN	BUSH BOOT PIN	1	

F08

Rear Wheel

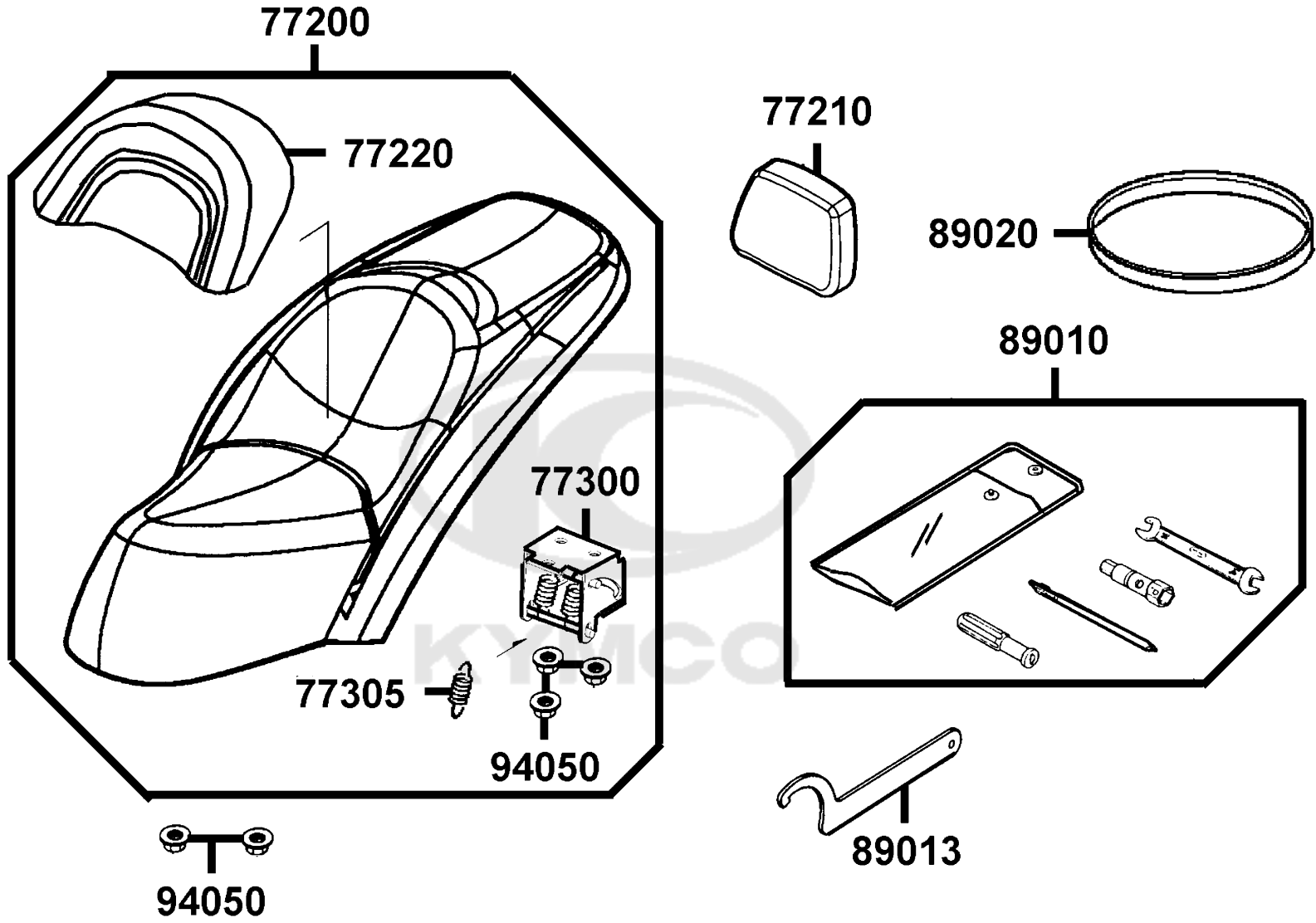


Sales mark	Ref no	Part no	Description	Reg description	Regd no	F08
45133		45133-MCA3-007	BOOT B	BOOT B	1	
45209		45209-GBE2-007	SEAL PISTON	SEAL PISTON	2	
45215		45215-KECE-900	PIN HANGER	PIN HANGER	2	
45216-1F66		45216-1F66-007	WASHER WAVE	WASHER WAVE	1	
45216-KFW6		45216-KFW6-90A	TORQUE NUT	TORQUE NUT	1	
90105		90105-KCR3-001	BOLT FR DISK 8*24	BOLT FR DISK 8*24	5	
90131		90131-GLW0-911	BOLT FLANGE 8*35	BOLT FLANGE 8*35	2	
90305		90305-KFW6-900	NUT U FLANGE 16MM (B)	NUT U FLANGE 16MM (B)	1	



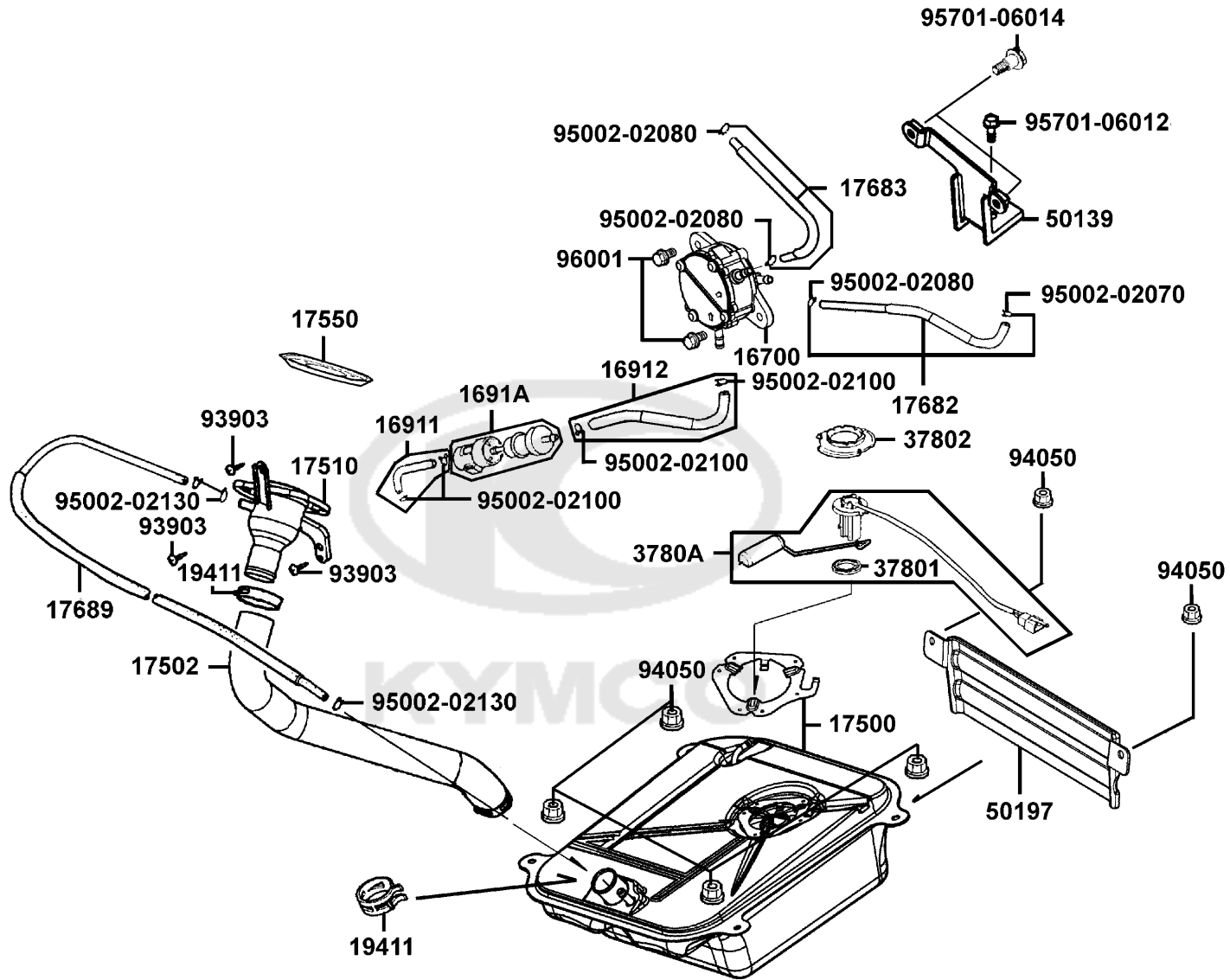
F09

Seat

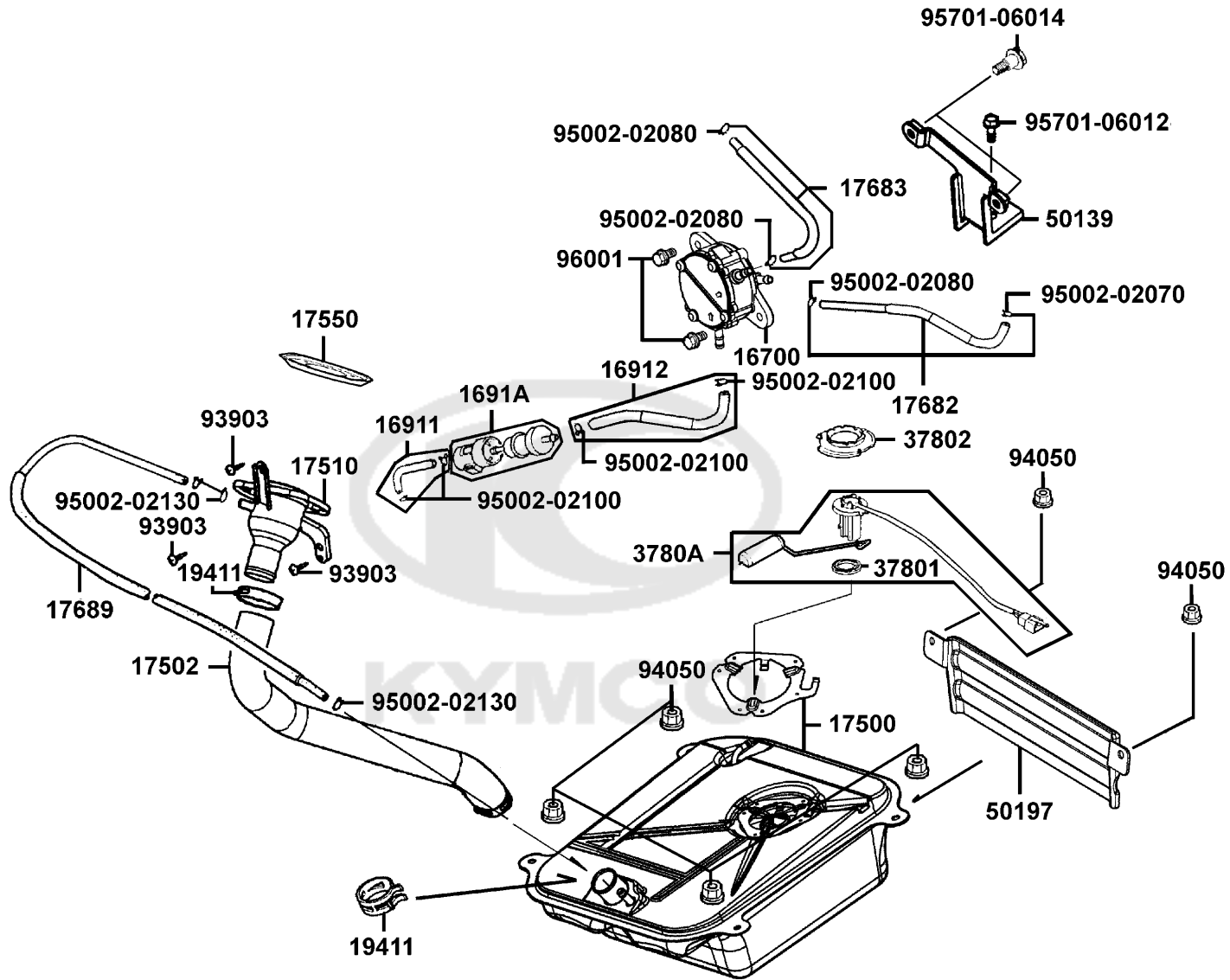


Sales mark	Ref no	Part no	Description	Reg description	Regd no	F09
**	77200	77200-KKC4-E01	SEAT ASSY	SEAT ASSY	1	
**	77210	77210-KKC4-900	SEAT ASSY BACK	SEAT ASSY BACK	1	
**	77220	77220-KKC4-910	SEAT ASSY PAD	SEAT ASSY PAD	1	
	77300	77300-KKC4-900	HINGE ASSY SEAT	HINGE ASSY SEAT	1	
	77305	77305-KKC4-900	SPRING HINGE	SPRING HINGE	2	
	89010	89010-KKC4-900	TOOL SET	TOOL SET	1	
	89013	89013-KFC8-E00	ADJUSTER REAR CUSHION	ADJUSTER REAR CUSHION	1	
	89020	89020-KKC4-900	BAND TOOL SET	BAND TOOL SET	1	
	94050	94050-06080	NUT FLANGE 6MM	NUT FLANGE 6MM	5	





Sales mark	Ref no	Part no	Description	Reg description	Regd no	F10
16700		16700-KHE7-900	FUEL PUMP ASSY	FUEL PUMP ASSY	1	
16911		16911-KKC4-900	TUBE ASSY TANK TO STRAINER	TUBE ASSY TANK TO STRAINER	1	
16912		16912-KKC4-900	TUBE ASSY STRAINER TO FUEL PUMP	TUBE ASSY STRAINER TO FUEL PUMP	1	
1691A		1691A-KEC2-E00	STRAINER ASSY FUEL	STRAINER ASSY FUEL	1	
17500		17500-KKC4-900	TANK COMP FUEL	TANK COMP FUEL	1	
17502		17502-KKC4-900	TUBE FUEL	TUBE FUEL	1	
17510		17510-KKC4-E00	PIPE ASSY FUEL FILLER	PIPE ASSY FUEL FILLER	1	
17550		17550-KHC4-900	TRAY FUEL CAP	TRAY FUEL CAP	1	
17682		17682-KKC4-900	TUBE ASSY FUEL VACUUM	TUBE ASSY FUEL VACUUM	1	
17683		17683-KKC4-900	TUBE ASSY FUEL	TUBE ASSY FUEL	1	
17689		17689-KEBE-900	TUBE ASSY TANK-FILLER	TUBE ASSY TANK-FILLER	1	
19411		19411-KBCB-900	CLIP HOSE	CLIP HOSE	2	
37801		37801-GGA7-701	PACKING BASE	PACKING BASE	1	
37802		37802-GGA7-701	RET FUEL UNIT	RET FUEL UNIT	1	
3780A		3780A-KKC3-900	FUEL UNIT ASSY	FUEL UNIT ASSY	1	
50139		50139-KKC4-800	BRKT FUEL PUMP	BRKT FUEL PUMP	1	
50197		50197-KKC4-900	STAY FLOOR	STAY FLOOR	1	
93903		93903-35220	SCREW TAPPING 5*12	SCREW TAPPING 5*12	3	
94050		94050-06080	NUT FLANGE 6MM	NUT FLANGE 6MM	6	
95002-02070		95002-02070	CLIP B7 PORT TUBE	CLIP B7 PORT TUBE	1	

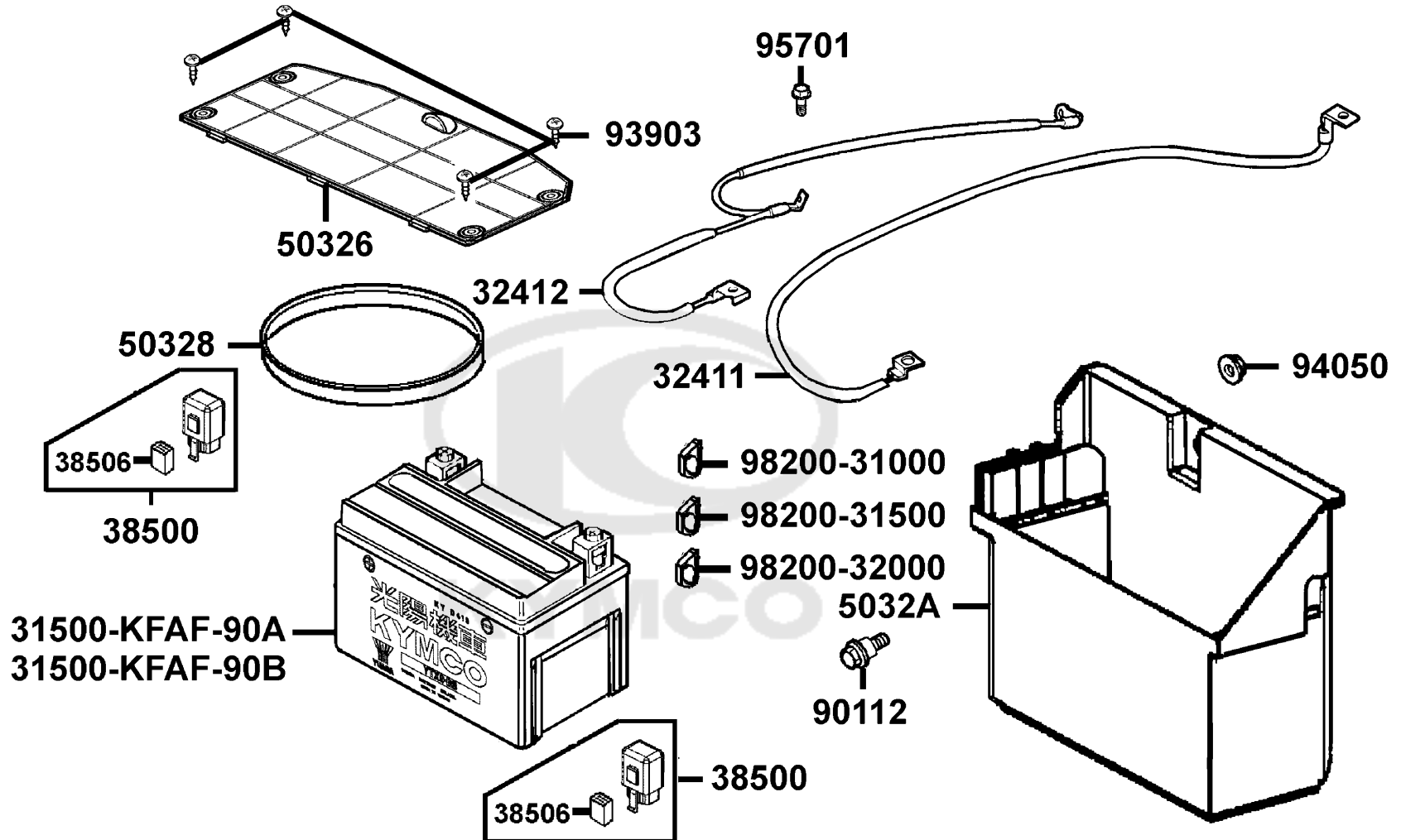


Sales mark	Ref no	Part no	Description	Reg description	Regd no	F10
	95002-02080	95002-02080	CLIP B8 CHAMBER TUBE	CLIP B8 CHAMBER TUBE	3	
	95002-02100	95002-02100	CLIP B10 TUBE	CLIP B10 TUBE	4	
	95002-02130	95002-02130	CLIP B12.5 TUBE	CLIP B12.5 TUBE	3	
	95701-06012	95701-06012-08	BOLT FLANGE 6*12	BOLT FLANGE 6*12	1	
	95701-06014	95701-06014-08	BOLT FLANGE 6*14	BOLT FLANGE 6*14	2	
	96001	96001-06014-08	BOLT FLANGE 6*14	BOLT FLANGE 6*14	2	

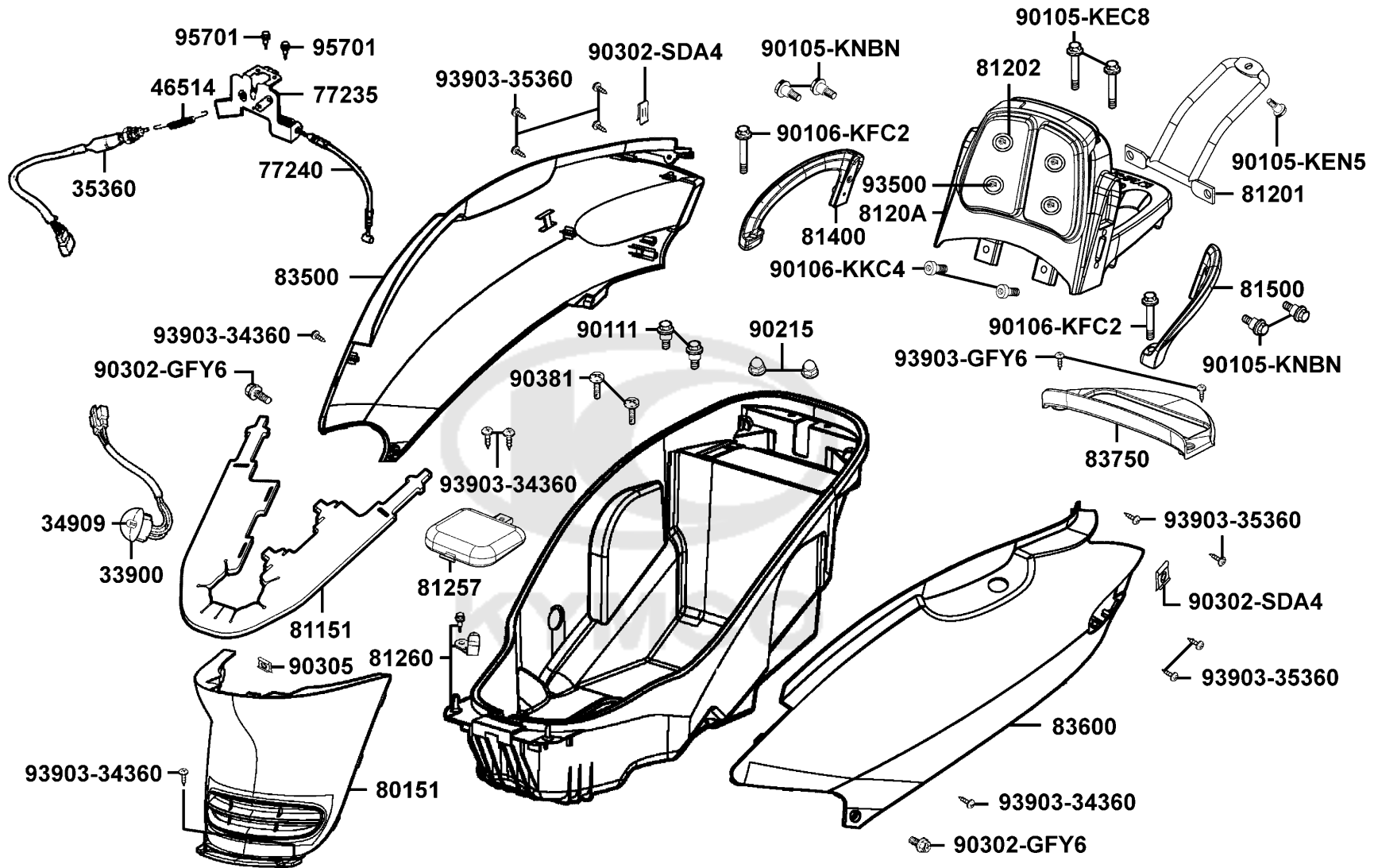


F11

Battery



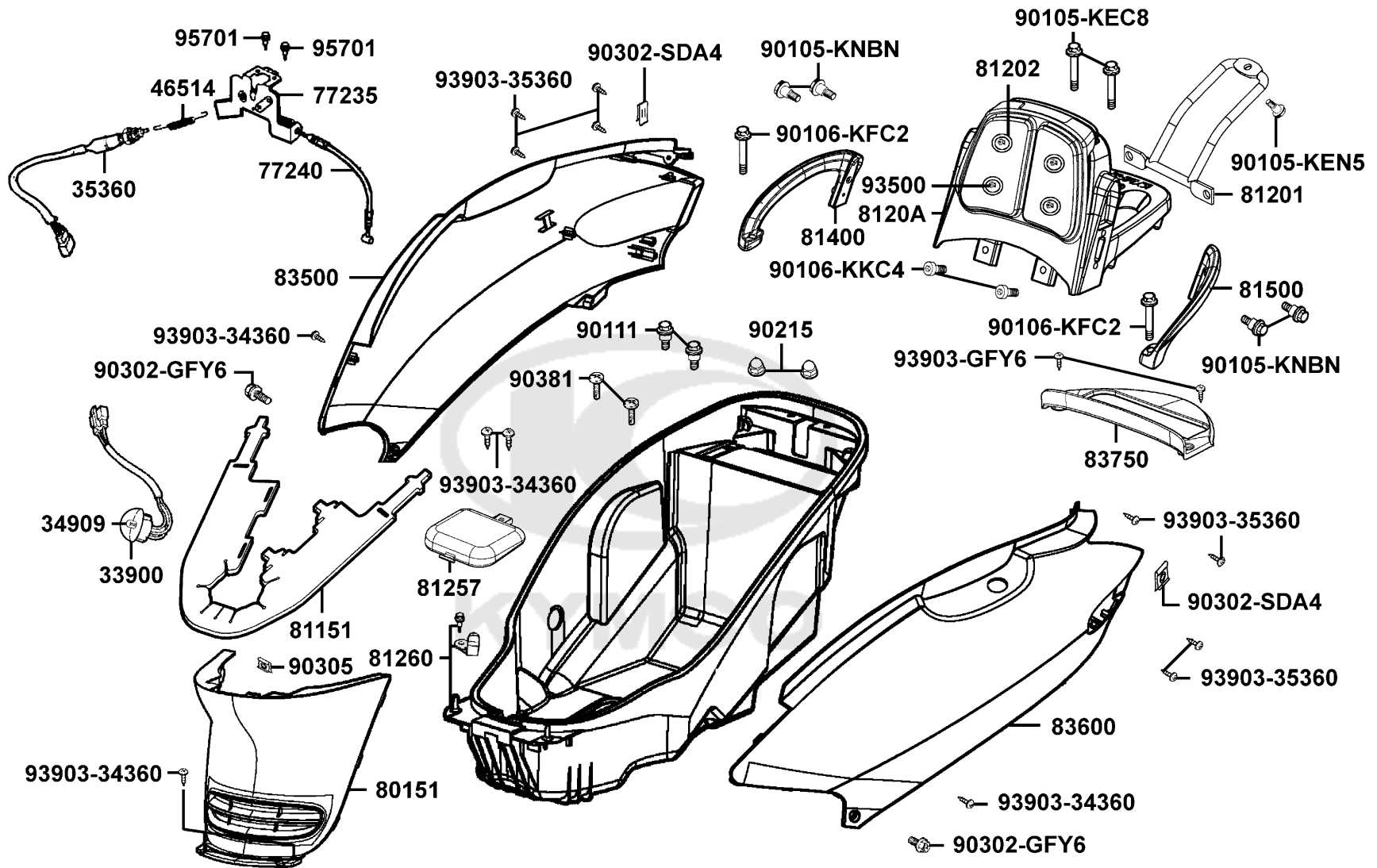
Sales mark	Ref no	Part no	Description	Reg description	Regd no	F11
	31500-KFAF-90A	31500-KFAF-90A	BATTERY YTX9-BS	BATTERY YTX9-BS	1	
	31500-KFAF-90B	31500-KFAF-90B	BATTERY GTX9-BS	BATTERY GTX9-BS	1	
	32411	32411-KKC4-900	CABLE BATTERY	CABLE BATTERY	1	
	32412	32412-KKC3-900	CABLE EARTH	CABLE EARTH	1	
	38500	38500-LGL3-90A	RELAY ASSY LIGHT/D402	RELAY ASSY LIGHT/D402	1	
	38500	38500-LGL3-90D	RELAY COMP. START	RELAY COMP. START	1	
	38506	38506-KHD8-900	CUSHION START RELAY	CUSHION START RELAY	2	
**	50326	50326-KKC4-900	COVER BATTERY	COVER BATTERY	1	
	50328	50328-KNBN-200	BAND BATTERY	BAND BATTERY	1	
	5032A	5032A-KKC4-900	CASE ASSY BATTERY	CASE ASSY BATTERY	1	
	90112	90112-KNBN-901	BOLT FLANGE 6MM	BOLT FLANGE 6MM	1	
	93903	93903-GFY6-900	SCREW TAPP 4*14	SCREW TAPP 4*14	4	
	94050	94050-06080	NUT FLANGE 6MM	NUT FLANGE 6MM	1	
	95701	95701-06012-08	BOLT FLANGE 6*12	BOLT FLANGE 6*12	1	
	98200-31000	98200-31000	BLADE FUSE 10A	BLADE FUSE 10A	1	
	98200-31500	98200-31500	BLADE FUSE 15A	BLADE FUSE 15A	1	
	98200-32000	98200-32000	BLADE FUSE 20A	BLADE FUSE 20A	1	



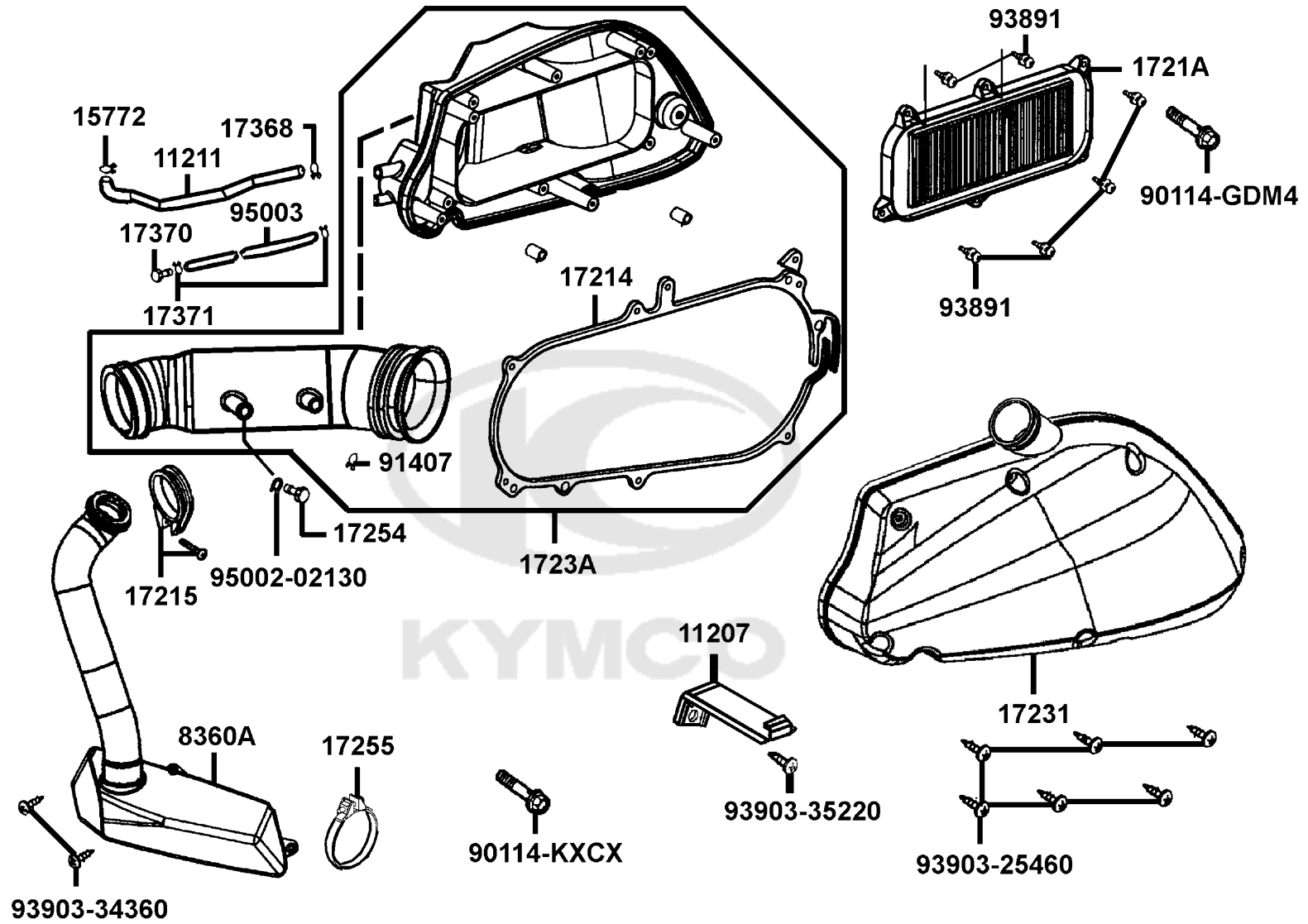
Sales mark	Ref no	Part no	Description	Reg description	Regd no	F12
	33900	33900-KFBF-900	LIGHT ASSY LUGGAGE BOX	LIGHT ASSY LUGGAGE BOX	1	
	34909	34909-KFBF-900	BULB WEDGE BASE	BULB WEDGE BASE	1	
	35360	35360-KFBF-900	SW UNIT LUGGAGE BOX LIGHT	SW UNIT LUGGAGE BOX LIGHT	1	
	46514	46514-KFBF-900	SPRING STOP SWITCH	SPRING STOP SWITCH	1	
	77235	77235-KKC4-900	CATCH COMP SEAT	CATCH COMP SEAT	1	
	77240	77240-KKC4-900	CABLE COMP SEAT LOCK	CABLE COMP SEAT LOCK	1	
**	80151	80151-KKC4-900	COVER CENTER	COVER CENTER	1	
	81151	81151-KKC4-900	PLATE HEAT GUARD	PLATE HEAT GUARD	1	
	81201	81201-KKC4-900	POWER BAR RR CARRIER	POWER BAR RR CARRIER	1	
	81202	81202-KKC4-900	UNBRELLALIKE CLASP	UNBRELLALIKE CLASP	4	
**	8120A	8120A-KKC4-900	CARRIER ASSY RR	CARRIER ASSY RR	1	
	81257	81257-KKC4-800	COVER CABB MAINT	COVER CABB MAINT	1	
	81260	81260-KKC4-900	BOX ASSY LUGGAGE	BOX ASSY LUGGAGE	1	
**	81400	81400-KKC4-900	SIDE R GRIP	SIDE R GRIP	1	
**	81500	81500-KKC4-900	SIDE L GRIP	SIDE L GRIP	1	
**	83500	83500-KKC4-900	COVER R BODY	COVER R BODY	1	
**	83600	83600-KKC4-900	COVER L BODY	COVER L BODY	1	
**	83750	83750-KKC4-900	COVER RR CENTER	COVER RR CENTER	1	
	90105-KEC8	90105-KEC8-900	BOLT WASHER 8MM	BOLT WASHER 8MM	2	
	90105-KEN5	90105-KEN5-001	BOLT DISK 6*17	BOLT DISK 6*17	1	

F12

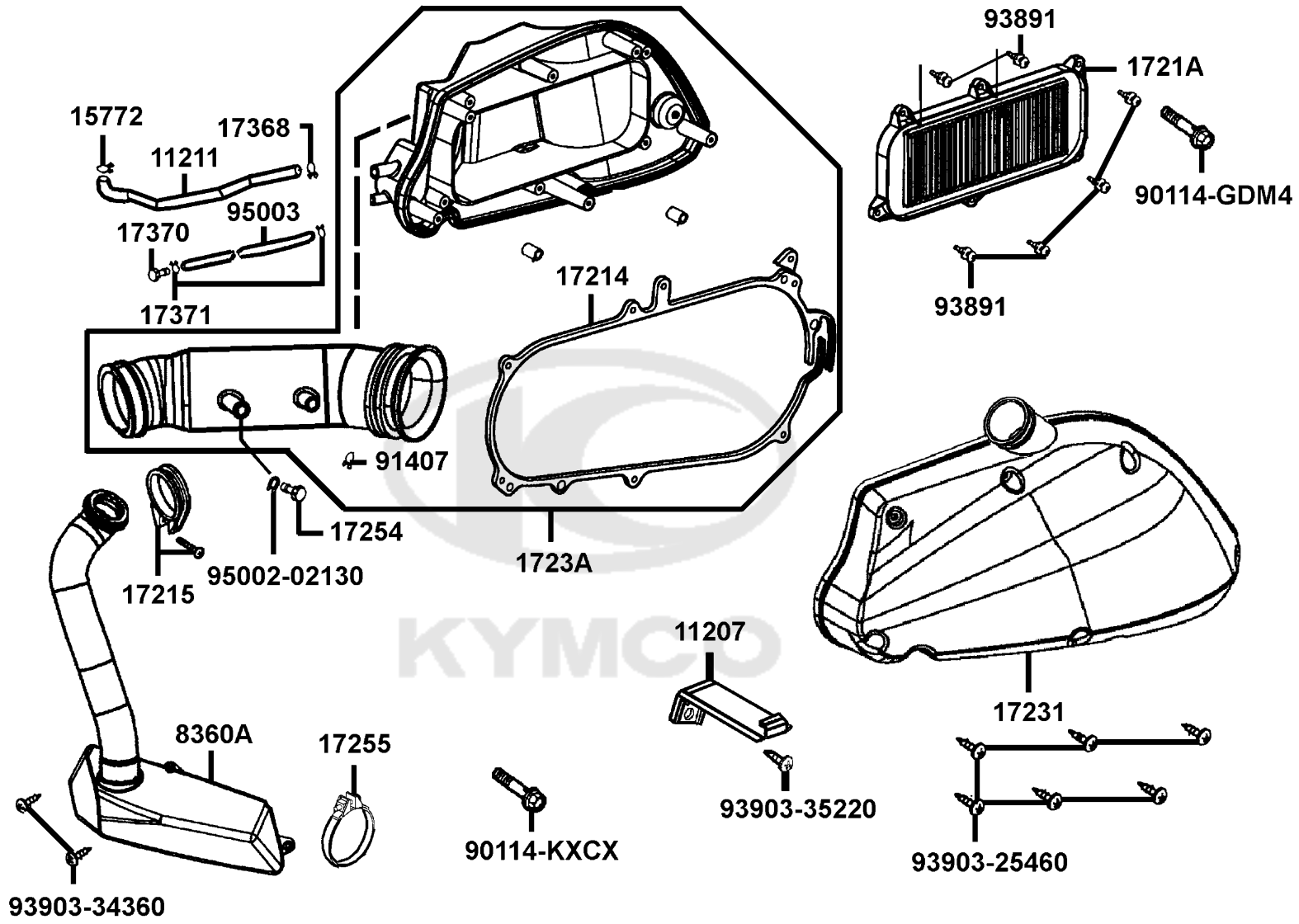
Body Cover Luggage Box



Sales mark	Ref no	Part no	Description	Reg description	Regd no	F12
90105-KNBN		90105-KNBN-901	BOLT SPECIAL 8MM	BOLT SPECIAL 8MM	4	
90106-KFC2		90106-KFC2-900	BOLT WASH 8MM	BOLT WASH 8MM	2	
90106-KKC4		90106-KKC4-900	BOLT WASH 8MM	BOLT WASH 8MM	2	
90111		90111-1G87-001	BOLT FLANGE 6*14	BOLT FLANGE 6*14	2	
90215		90215-KKC4-900	NUT CAP 6MM	NUT CAP 6MM	2	
90302-GFY6		90302-GFY6-940	BOLT WASHER 5*16	BOLT WASHER 5*16	2	
90302-SDA4		90302-SDA4-004	NUT SPRING 4MM	NUT SPRING 4MM	2	
90305		90305-GHK8-001	NUT CLIP 6MM	NUT CLIP 6MM	1	
90381		90381-GEZ5-001	SCREW SPECIAL 6*17	SCREW SPECIAL 6*17	2	
93500		93500-04012-0H	SCREW 4*12	SCREW 4*12	4	
93903-34360		93903-34360	SCREW TAPPING 4*12	SCREW TAPPING 4*12	6	
93903-35360		93903-35360	SCREW TAPPING 5*16	SCREW TAPPING 5*16	8	
93903-GFY6		93903-GFY6-900	SCREW TAPP 4*14	SCREW TAPP 4*14	2	
95701		95701-06012-08	BOLT FLANGE 6*12	BOLT FLANGE 6*12	2	



Sales mark	Ref no	Part no	Description	Reg description	Regd no	F13
11207		11207-KKC4-900	STAY RR FENDER	STAY RR FENDER	1	
11211		11211-KKC2-900	TUBE MISSION BREATHER	TUBE MISSION BREATHER	1	
15772		15772-5L00-013	CLIP BREATHER PIPE	CLIP BREATHER PIPE	1	
17214		17214-KKC3-900	SEAL AIR/C COVER	SEAL AIR/C COVER	1	
17215		17215-KGBG-90A	CLIP ASSY AIR/C DUCT	CLIP ASSY AIR/C DUCT	1	
1721A		1721A-KKC3-900	ELEMENT ASSY AIR/C	ELEMENT ASSY AIR/C	1	
17231		17231-KKC3-900	COVER COMP AIR/C	COVER COMP AIR/C	1	
1723A		1723A-KKC3-E00	CASE ASSY AIR/C	CASE ASSY AIR/C	1	
17254		17254-KACA-P00	PLUG AIR/C CONN TUBE	PLUG AIR/C CONN TUBE	1	
17255		17255-KGV7-671	BAND AIR/C CONN	BAND AIR/C CONN	1	
17368		17368-KDB4-670	CLIP B 14.5 TUBE	CLIP B 14.5 TUBE	1	
17370		17370-4K19-701	PLUG BREATHER TUBE	PLUG BREATHER TUBE	1	
17371		17371-1D74-671	CLIP BREATHER TUBE	CLIP BREATHER TUBE	2	
8360A		8360A-KKC4-900	CHAMBER ASSY AIR/C	CHAMBER ASSY AIR/C	1	
90114-GDM4		90114-GDM4-011	BOLT FLANGE SH 6*28	BOLT FLANGE SH 6*28	1	
90114-KXCX		90114-KXCX-900	BOLT FLANGE SH 6*12	BOLT FLANGE SH 6*12	1	
91407		91407-SGA7-004	CLAMP 17.0 FUEL HOSE	CLAMP 17.0 FUEL HOSE	1	
93891		93891-05016-08	SCREW WASHER 5*16	SCREW WASHER 5*16	6	
93903-25460		93903-25460	SCREW TAPPING 5*20	SCREW TAPPING 5*20	6	
93903-34360		93903-34360	SCREW TAPPING 4*12	SCREW TAPPING 4*12	2	

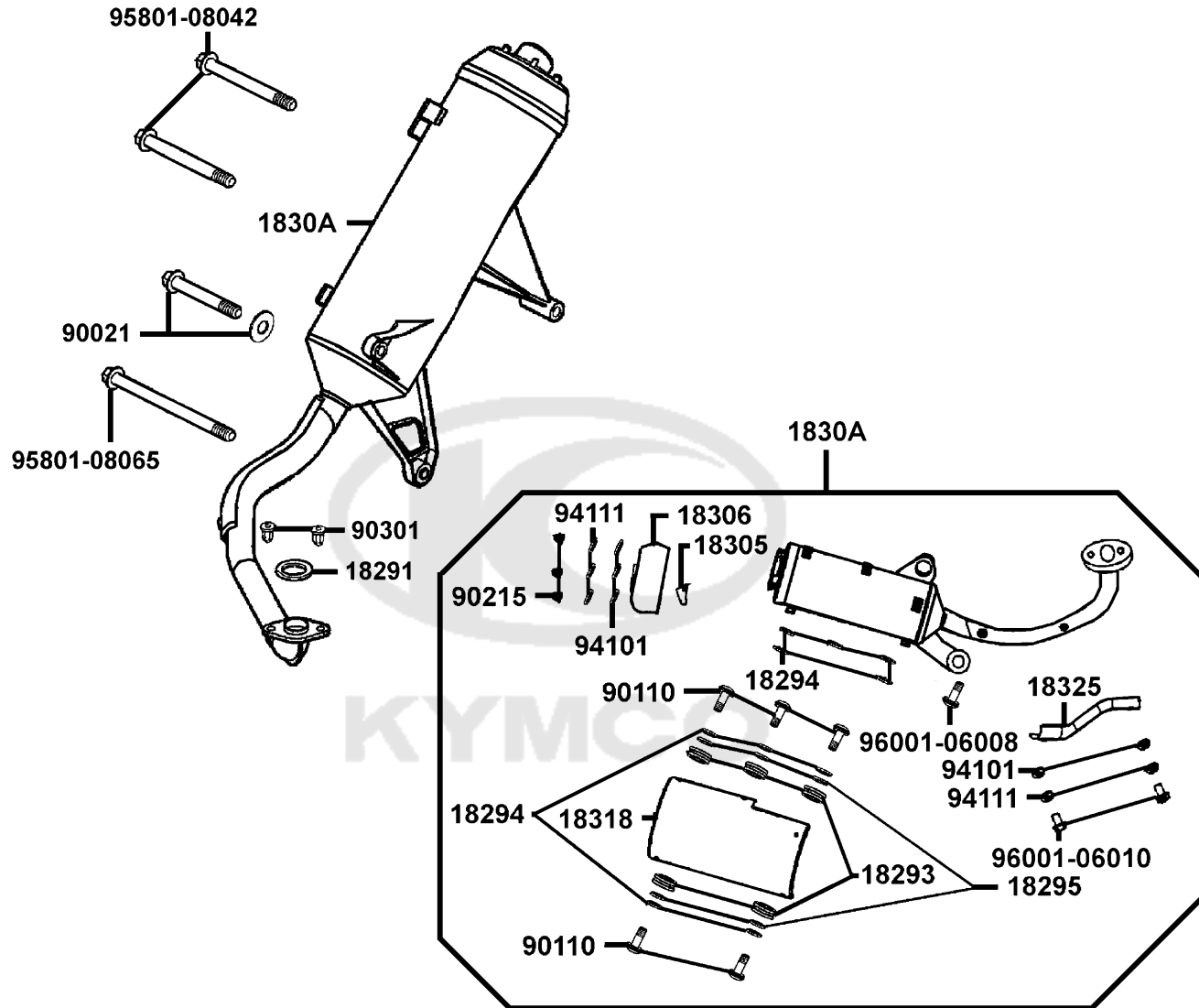


Sales mark	Ref no	Part no	Description	Reg description	Regd no	F13
------------	--------	---------	-------------	-----------------	---------	------------

	93903-35220	93903-35220	SCREW TAPPING 5*12	SCREW TAPPING 5*12	1	
	95002-02130	95002-02130	CLIP B12.5 TUBE	CLIP B12.5 TUBE	1	
	95003	95003-23031-60	V TUBE 8*12*310	V TUBE 8*12*310	1	



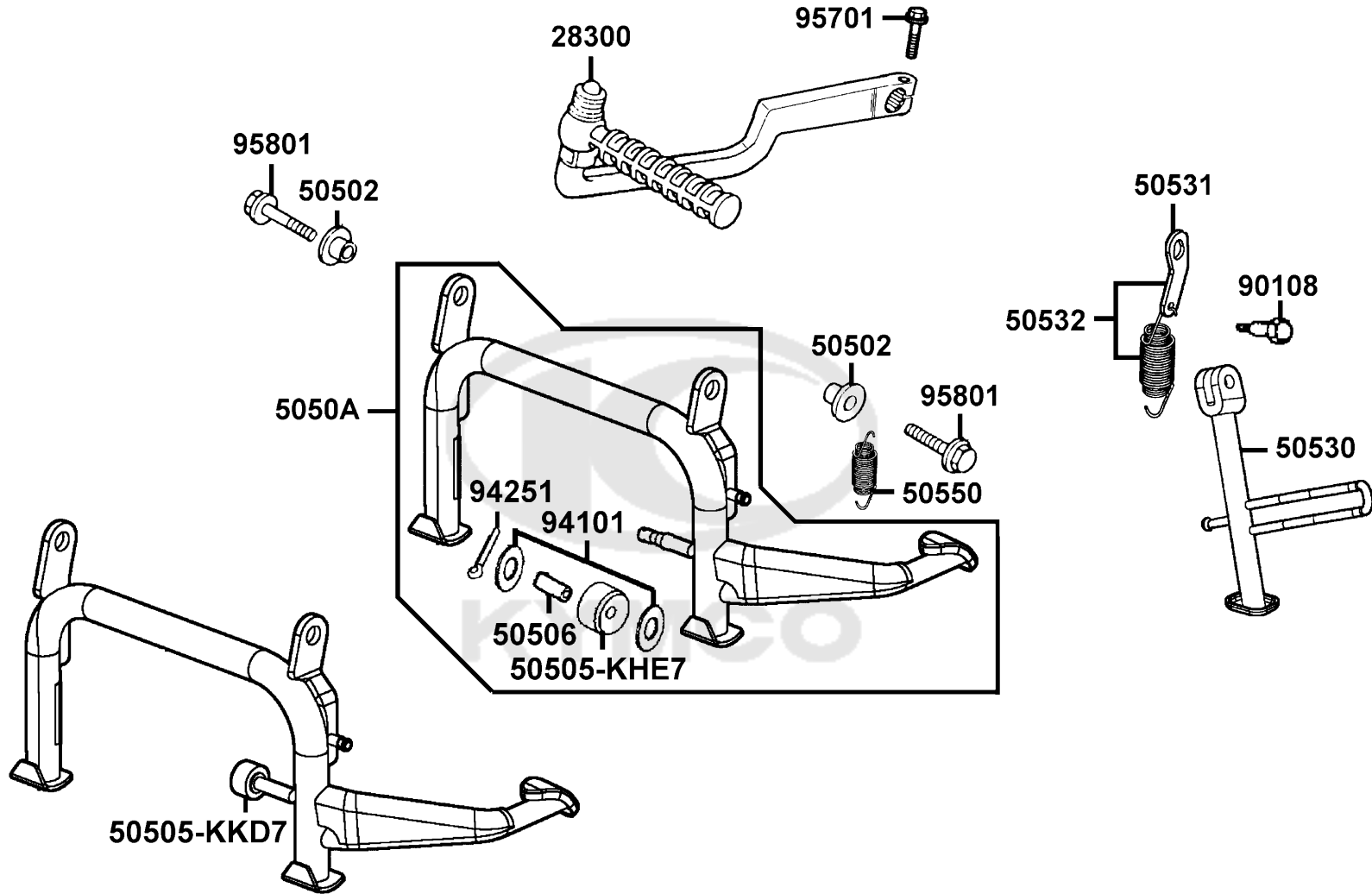
Exhaust Muffler



Sales mark	Ref no	Part no	Description	Reg description	Regd no	F14
18291		18291-LEA5-E00	GASKET EXH PIPE	GASKET EXH PIPE	1	
18293		18293-KECE-900	RUBBER A PROTECTOR	RUBBER A PROTECTOR	5	
18294		18294-KEBE-900	PACKING PROTECTOR	PACKING PROTECTOR	10	
18295		18295-KECE-900	COLLAR 6MM	COLLAR 6MM	5	
18305		18305-KHD8-900	PROTECTOR TAIL PIPE	PROTECTOR TAIL PIPE	1	
18306		18306-KHD8-900	TAIL CAP MUFFLER	TAIL CAP MUFFLER	1	
1830A		1830A-KKC1-EZB	MUFFLER ASSY	MUFFLER ASSY	1	
18318		18318-KKC1-E00	PROTECTOR MUFFLER	PROTECTOR MUFFLER	1	
18325		18325-KKC1-900	PROTECTOR EXH PIPE	PROTECTOR EXH PIPE	1	
90021		90021-GFY6-900	BOLT WASHER COMP 8*42	BOLT WASHER COMP 8*42	1	
90110		90110-KHD8-900	SCREW SPECIAL 6*20	SCREW SPECIAL 6*20	5	
90215		90215-GLM0-910	NUT CAP 6MM	NUT CAP 6MM	3	
90301		90301-GFY6-901	NUT (HEX) CAP 8MM	NUT (HEX) CAP 8MM	2	
94101		94101-06200	WASHER PLAIN 6MM	WASHER PLAIN 6MM	5	
94111		94111-06800	WASHER SPRING 6MM	WASHER SPRING 6MM	5	
95801-08042		95801-08042-06	BOLT FLANGE 8*42	BOLT FLANGE 8*42	2	
95801-08065		95801-08065-06	BOLT FLANGE 8*65	BOLT FLANGE 8*65	1	
96001-06008		96001-06008-07	BOLT FLANGE 6*8	BOLT FLANGE 6*8	1	
96001-06010		96001-06010-08	BOLT FLANGE SH 6*10	BOLT FLANGE SH 6*10	2	

F15

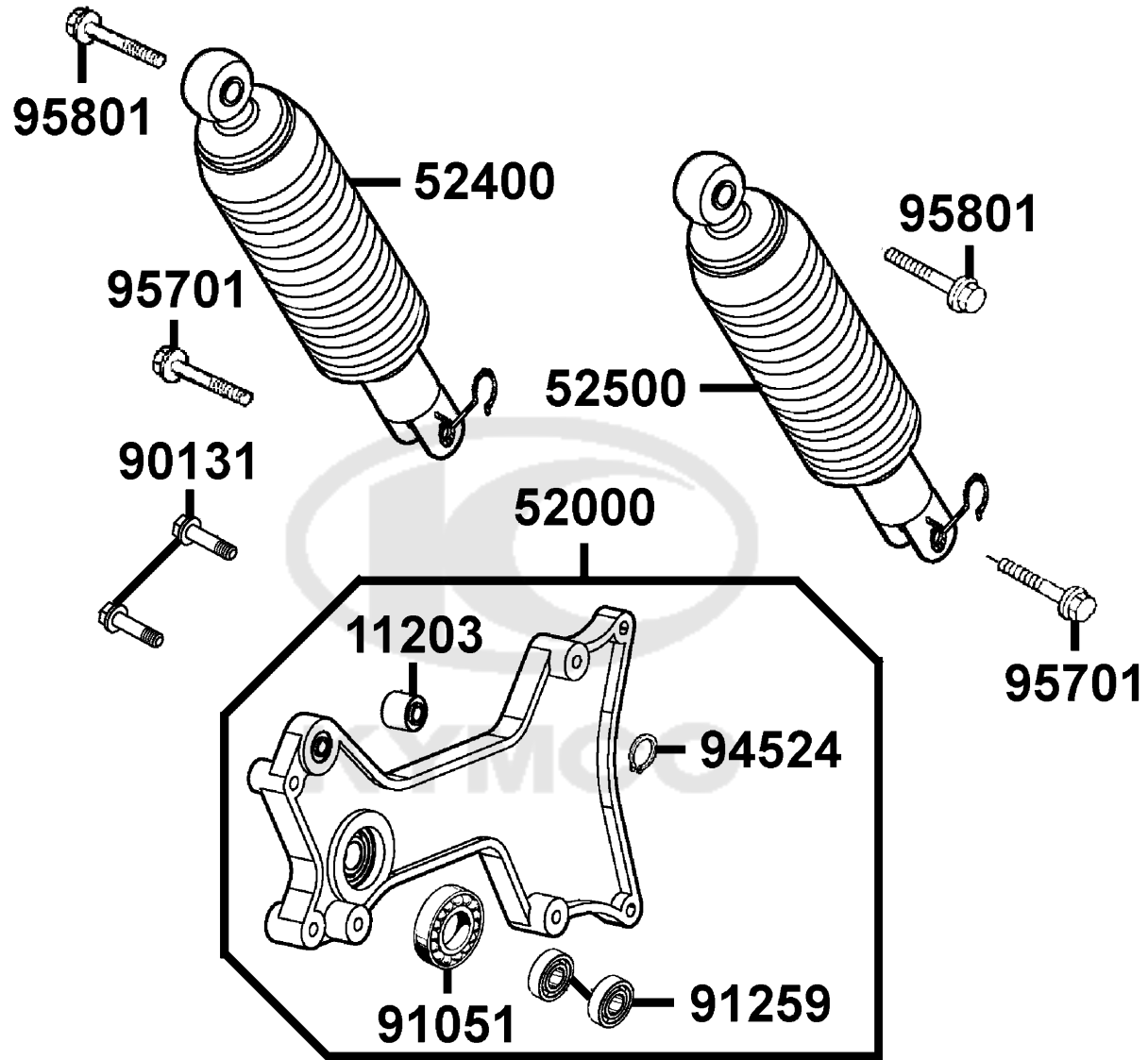
StandKick Starter Arm



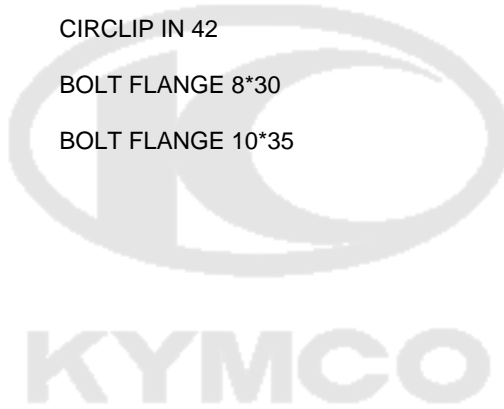
Sales mark	Ref no	Part no	Description	Reg description	Regd no	F15
28300		28300-KKC2-E00	ARM ASSY KICK STARTER	ARM ASSY KICK STARTER	1	
50502		50502-GFY6-901	COLLAR MAIN STAND	COLLAR MAIN STAND	2	
50505-KHE7		50505-KHE7-E00	RUBBER STOPPER MAIN	RUBBER STOPPER MAIN	1	
50505-KKD7		50505-KKD7-900	RUBBER STOPPER MAIN	RUBBER STOPPER MAIN	1	
50506		50506-KHE7-E00	COLLAR STOPPER RUBBER	COLLAR STOPPER RUBBER	1	
5050A		5050A-KKC3-900	STAND ASSY MAIN	STAND ASSY MAIN	1	
50530		50530-KKC4-E00	BAR SIDE STAND	BAR SIDE STAND	1	
50531		50531-KEB7-E00	PLATE SPRING STOPPER	PLATE SPRING STOPPER	1	
50532		50532-KGBG-E00	SPRING COMP SIDE STAND	SPRING COMP SIDE STAND	1	
50550		50550-KEB7-E00	SPG ASSY MAIN STAND	SPG ASSY MAIN STAND	1	
90108		90108-KFC8-E10	SCREW SIDE STAND PIVOT	SCREW SIDE STAND PIVOT	1	
94101		94101-08700	WASHER PLAIN 8MM	WASHER PLAIN 8MM	2	
94251		94251-08400	PIN LOCK 8MM	PIN LOCK 8MM	1	
95701		95701-06022-06	BOLT FLANGE 6*22	BOLT FLANGE 6*22	1	
95801		95801-10025-08	BOLT FLANGE 10*25	BOLT FLANGE 10*25	2	

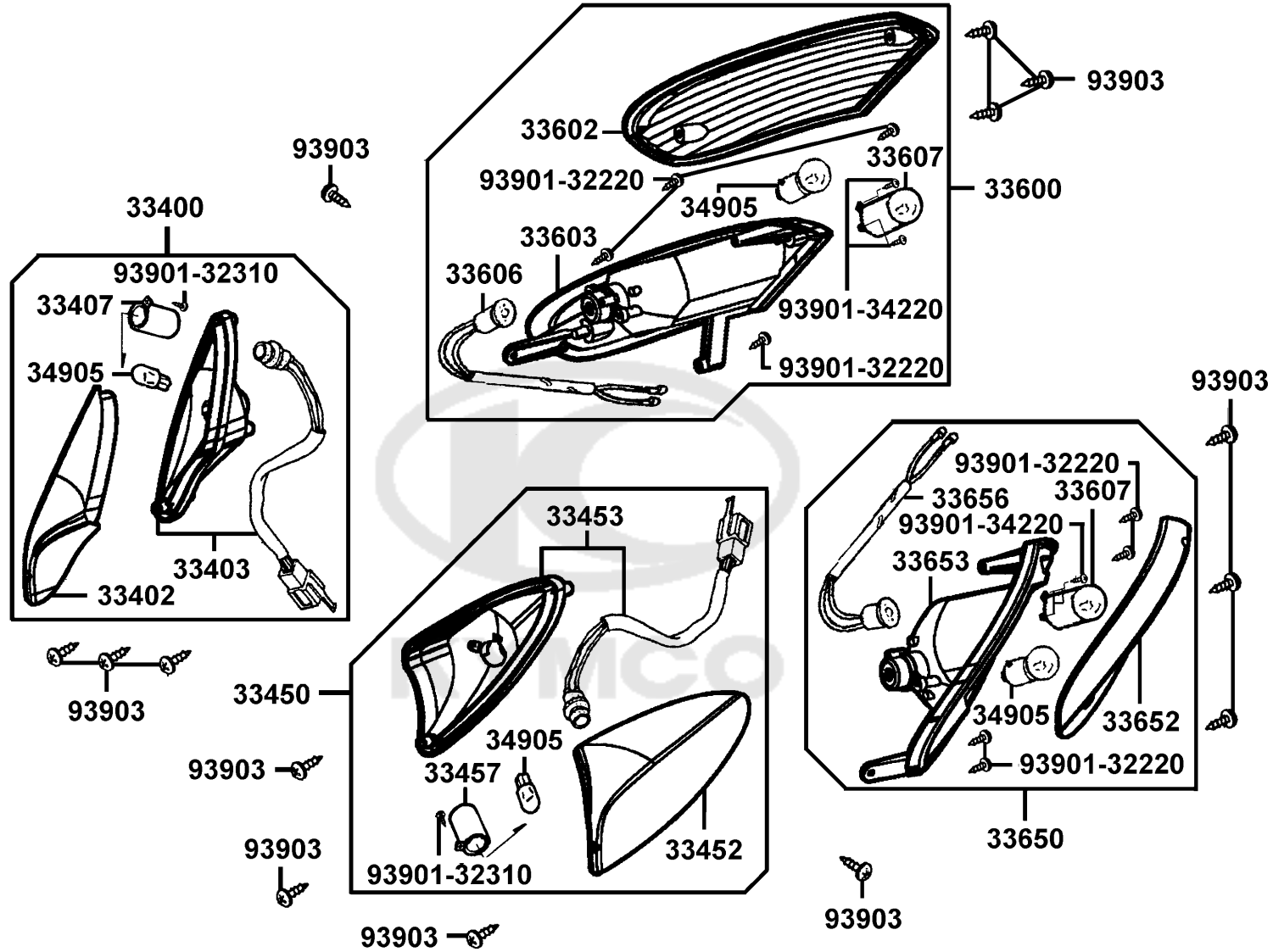
F16

Rear Cushion



Sales mark	Ref no	Part no	Description	Reg description	Regd no	F16
	11203	11203-GGC7-301	UNDER RUBBER BUSH RR CUSHION	UNDER RUBBER BUSH RR CUSHION	1	
**	52000	52000-KKC3-900	FORK ASSY REAR	FORK ASSY REAR	1	
**	52400	52400-KKC2-E00	CUSHION ASSY R RR	CUSHION ASSY R RR	1	
**	52500	52500-KKC2-E00	CUSHION ASSY L RR	CUSHION ASSY L RR	1	
	90131	90131-KFAF-900	BOLT FLANGE 8*42	BOLT FLANGE 8*42	2	
	91051	91051-KFBF-901	BRG BALL RAKIAL 6203ZZ	BRG BALL RAKIAL 6203ZZ	1	
	91259	91259-KFBF-900	SEAL OIL	SEAL OIL	2	
	94524	94524-42000	CIRCLIP IN 42	CIRCLIP IN 42	1	
	95701	95701-08030-08	BOLT FLANGE 8*30	BOLT FLANGE 8*30	2	
	95801	95801-10035-08	BOLT FLANGE 10*35	BOLT FLANGE 10*35	2	



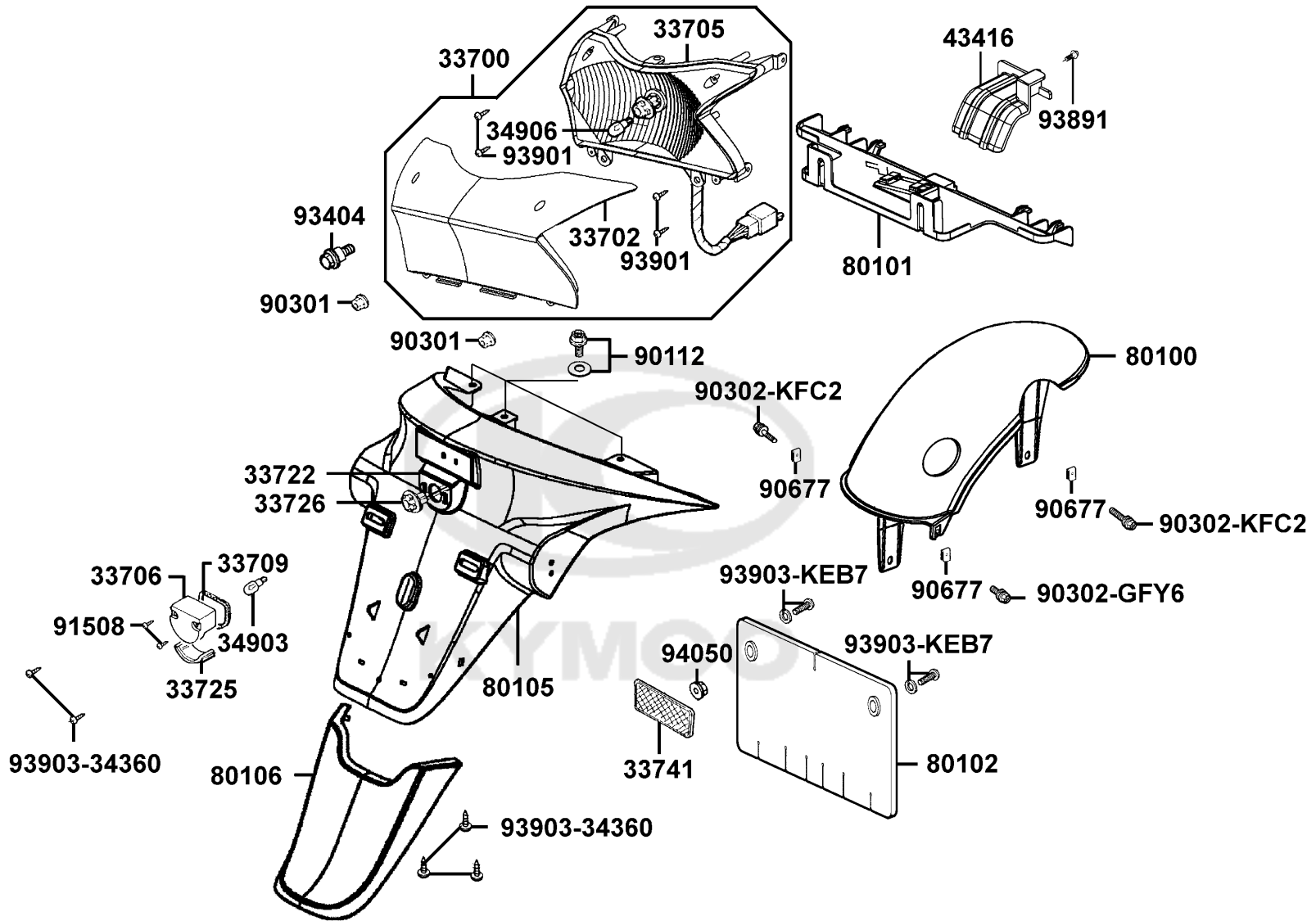


Sales mark	Ref no	Part no	Description	Reg description	Regd no	F17
	33400	33400-KKC4-E00	WINKER ASSY R FR	WINKER ASSY R FR	1	
	33402	33402-KKC4-E00	LENS FR WINKER R	LENS FR WINKER R	1	
	33403	33403-KKC4-E00	BASE COMP R FR WINKER	BASE COMP R FR WINKER	1	
	33407	33407-KKC4-E00	INNER LENS WINKER R	INNER LENS WINKER R	1	
	33450	33450-KKC4-E00	WINKER ASSY L FR	WINKER ASSY L FR	1	
	33452	33452-KKC4-E00	LENS L FR WINKER	LENS L FR WINKER	1	
	33453	33453-KKC4-E00	BASE COMP L FR WINKER	BASE COMP L FR WINKER	1	
	33457	33457-KKC4-E00	INNER LENS WINKER L	INNER LENS WINKER L	1	
	33600	33600-KKC4-E00	WINKER ASSY R RR	WINKER ASSY R RR	1	
	33602	33602-KKC4-E00	LENS R RR WINKER	LENS R RR WINKER	1	
	33603	33603-KKC4-E00	BASE R RR WINKER	BASE R RR WINKER	1	
	33606	33606-KKC4-E00	SOCKET COMP R RR WINKER	SOCKET COMP R RR WINKER	1	
	33607	33607-KKD7-E00	INNER LENS WINKER	INNER LENS WINKER	2	
	33650	33650-KKC4-E00	WINKER ASSY L RR	WINKER ASSY L RR	1	
	33652	33652-KKC4-E00	LENS L RR WINKER	LENS L RR WINKER	1	
	33653	33653-KKC4-E00	BASE L RR WINKER	BASE L RR WINKER	1	
	33656	33656-KKC4-E00	SOCKET COMP R/L RR WINKER	SOCKET COMP R/L RR WINKER	1	
	34905	34905-KPCP-900	BLUB WINKER 12V10W	BLUB WINKER 12V10W	4	
	93901-32220	93901-32220	SCREW TAPPING 3*10	SCREW TAPPING 3*10	8	
	93901-32310	93901-32310	SCREW TAPPING 3*12	SCREW TAPPING 3*12	2	

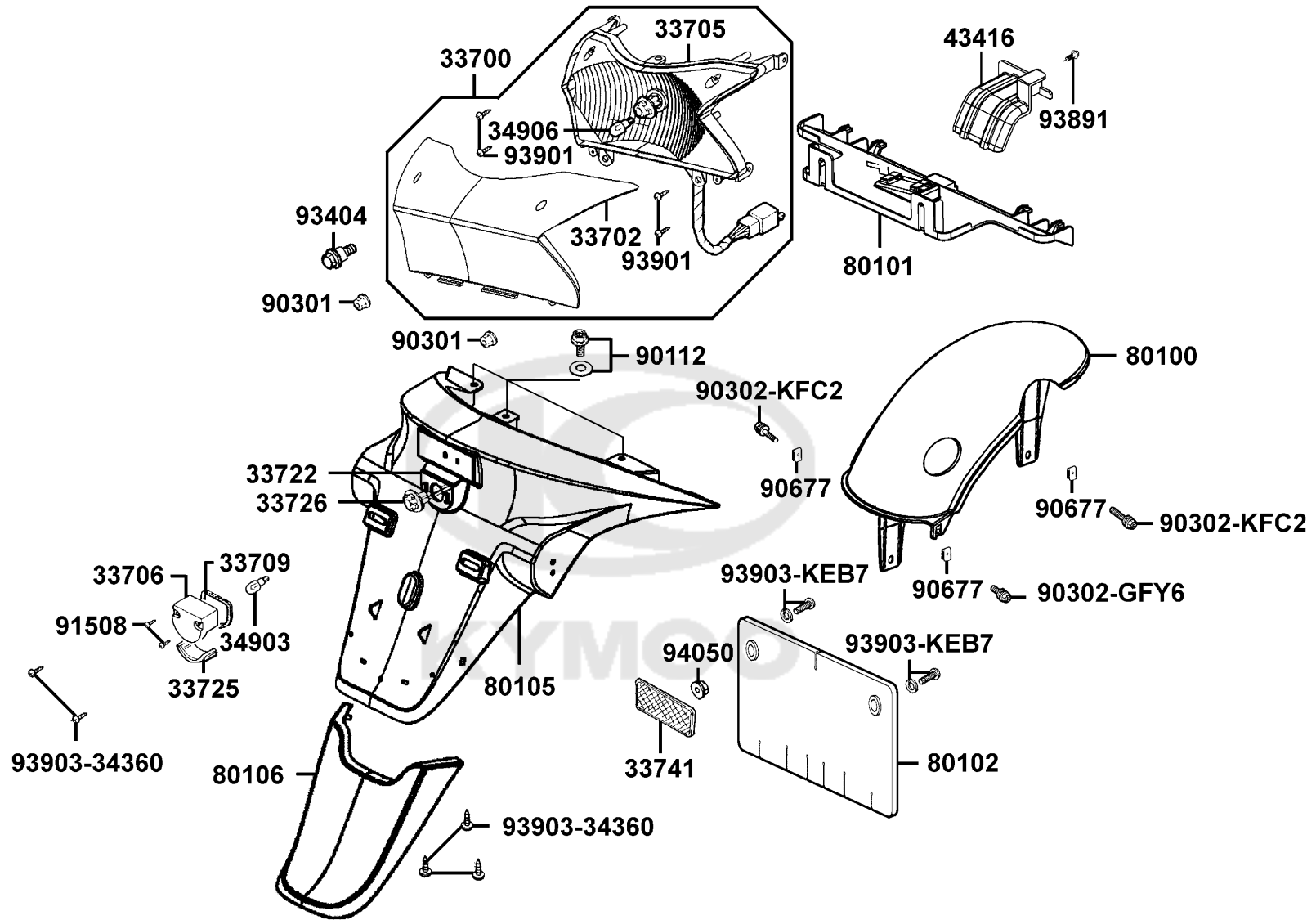
Sales mark	Ref no	Part no	Description	Reg description	Regd no	F17
------------	--------	---------	-------------	-----------------	---------	------------

	93901-34220	93901-34220	SCREW TAPPING 4*10	SCREW TAPPING 4*10	4	
	93903	93903-34360	SCREW TAPPING 4*12	SCREW TAPPING 4*12	14	



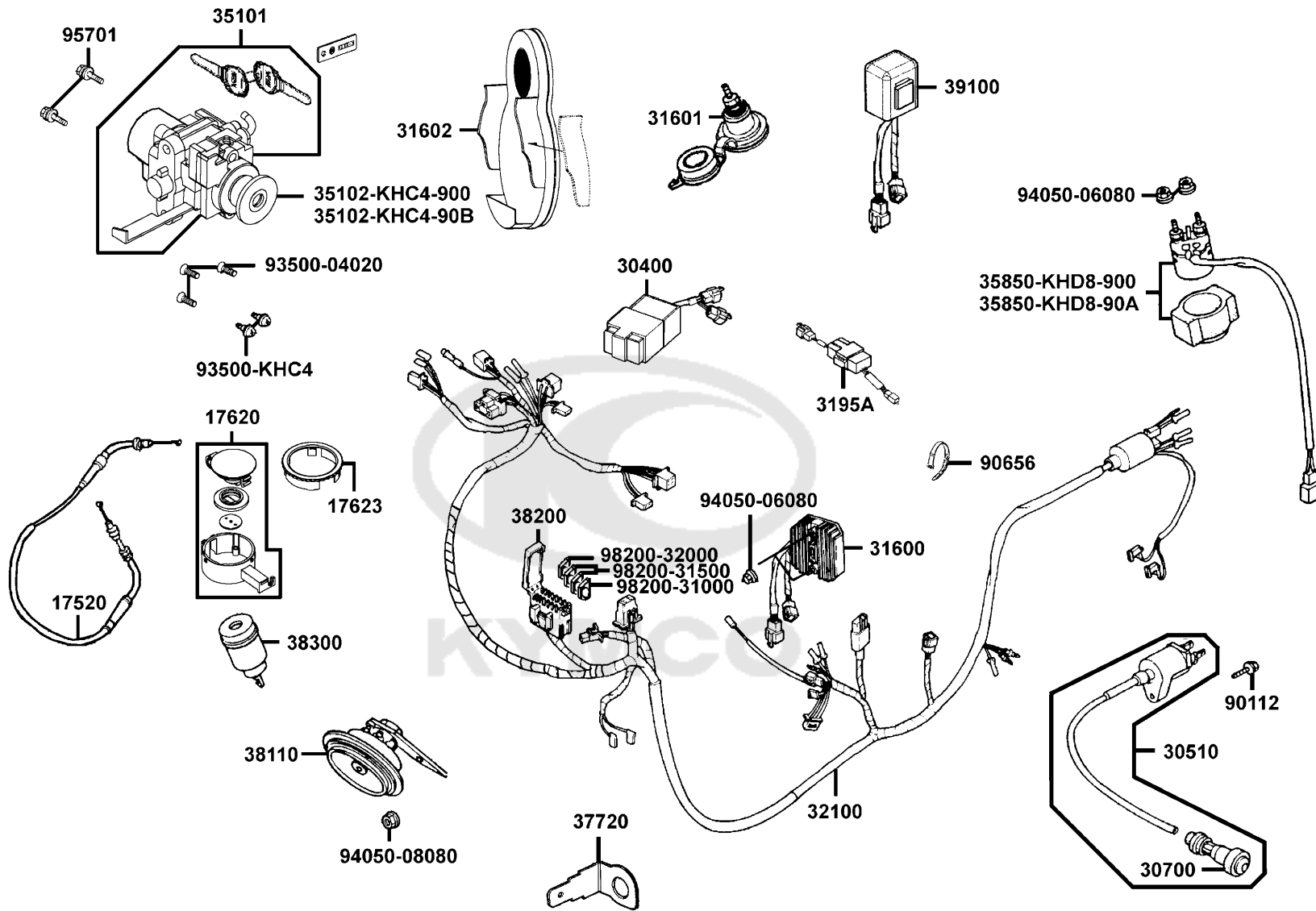


Sales mark	Ref no	Part no	Description	Reg description	Regd no	F18
	33700	33700-KKC4-E00	LIGHT ASSY RR COMB	LIGHT ASSY RR COMB	1	
	33702	33702-KKC4-E00	LENS TAIL LIGHT	LENS TAIL LIGHT	1	
	33705	33705-KKC4-E00	BASE COMP TAIL LIGHT	BASE COMP TAIL LIGHT	1	
	33706	33706-KHB4-E01	COVER LICENSE	COVER LICENSE	1	
	33709	33709-KBAB-003	PACKING LICENSE	PACKING LICENSE	1	
	33722	33722-KHB4-E00	BASE LICENSE	BASE LICENSE	1	
	33725	33725-KHB4-E00	LENS LICENSE	LENS LICENSE	1	
	33726	33726-KHB4-E00	SCOKET COMP	SCOKET COMP	1	
	33741	33741-KEBE-900	REFLEX REFLECTOR	REFLEX REFLECTOR	1	
	34903	34903-KPCP-900	BULB POSITION	BULB POSITION	1	
	34906	34906-KPCP-900	BULB TAIL & STOP 12V21W/5W	BULB TAIL & STOP 12V21W/5W	1	
	43416	43416-KKC4-900	GUARD RR CALIPER	GUARD RR CALIPER	1	
**	80100	80100-KKC4-900	FENDER RR TIRE	FENDER RR TIRE	1	
	80101	80101-KKC4-900	FENDER RR UP	FENDER RR UP	1	
	80102	80102-KKC4-900	PLATE C SPLASH GUARD	PLATE C SPLASH GUARD	1	
	80105	80105-KKC4-900	FENDER RR	FENDER RR	1	
	80106	80106-KKC4-900	FENDER B RR	FENDER B RR	1	
	90112	90112-KNBN-901	BOLT FLANGE 6MM	BOLT FLANGE 6MM	3	
	90301	90301-6D34-671	NUT FLANGE 6MM	NUT FLANGE 6MM	2	
	90302-GFY6	90302-GFY6-940	BOLT WASHER 5*16	BOLT WASHER 5*16	1	

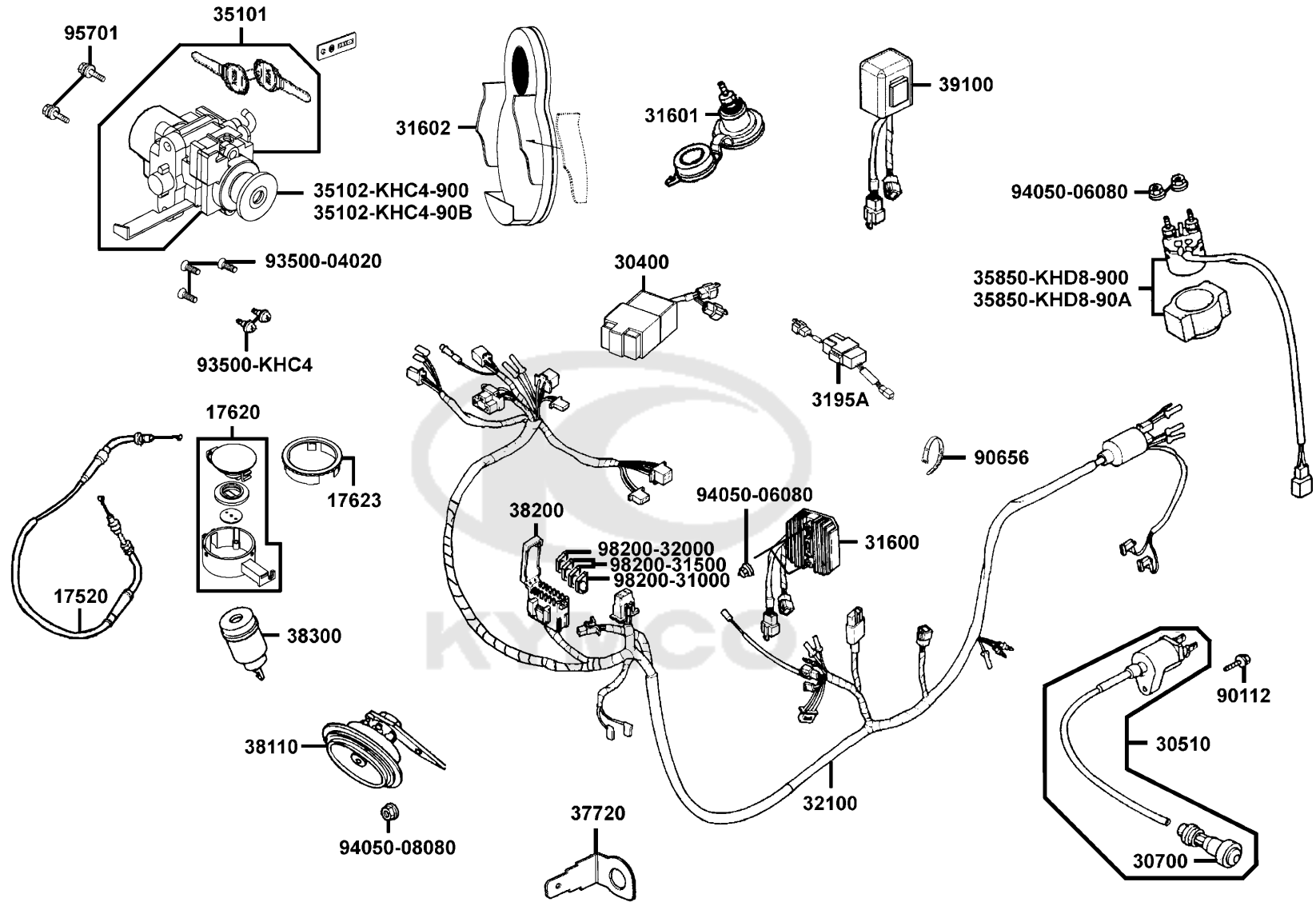


Sales mark	Ref no	Part no	Description	Reg description	Regd no	F18
90302-KFC2		90302-KFC2-900	BOLT WASHER 5*25	BOLT WASHER 5*25	2	
90677		90677-GAR1-004	NUT CLIP 5MM	NUT CLIP 5MM	3	
91508		91508-KGV7-67A	SCREW TAPPING 4*14	SCREW TAPPING 4*14	2	
93404		93404-06016-06	BOLT WASHER 6*16	BOLT WASHER 6*16	1	
93891		93891-05030-07	SCREW WASHER 5*30	SCREW WASHER 5*30	1	
93901		93901-34320	SCREW TAPPING 4*12	SCREW TAPPING 4*12	4	
93903-34360		93903-34360	SCREW TAPPING 4*12	SCREW TAPPING 4*12	5	
93903-KEB7		93903-KEB7-900-06	SCREW WASHER 4MM	SCREW WASHER 4MM	2	
94050		94050-05080	NUT FLANGE 5MM	NUT FLANGE 5MM	1	

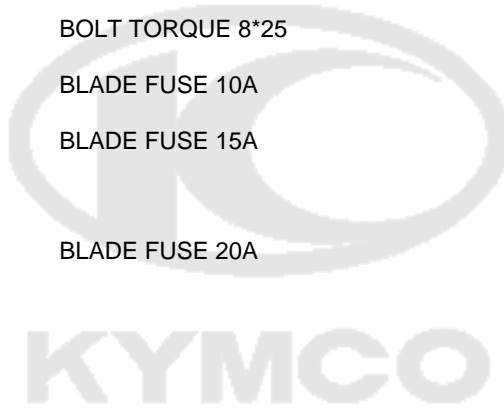




Sales mark	Ref no	Part no	Description	Reg description	Regd no	F19
17520		17520-KKC4-900	CABLE COMP FUEL CAP	CABLE COMP FUEL CAP	1	
17620		17620-KHC5-E00	CAP COMP FUEL FILLER	CAP COMP FUEL FILLER	1	
17623		17623-KHC4-90A	COLLAR FUEL CAP	COLLAR FUEL CAP	1	
30400		30400-KGN7-671	UNIT ASSY CDI	UNIT ASSY CDI	1	
30510		30510-KEBE-900	COIL COMP IGN	COIL COMP IGN	1	
30700		30700-KGN7-671	CAP ASSY NOISE	CAP ASSY NOISE	1	
31600		31600-KAM1-009	REG REC COMP	REG REC COMP	1	
31601		31601-KKC4-900	SOCKET COMP DC12V	SOCKET COMP DC12V	1	
31602		31602-KKC4-900	SOCKET COMP CELL-PHONE	SOCKET COMP CELL-PHONE	1	
3195A		3195A-KBCB-900	HAZARD CNTR ASSY	HAZARD CNTR ASSY	1	
32100		32100-KKC2-900	HARNES WIRE	HARNES WIRE	1	
35101		35101-KKC2-325	SW SET COMB & LOCK	SW SET COMB & LOCK	1	
35102-KHC4-900		35102-KHC4-900	COLLAR MAIN SWITCH	COLLAR MAIN SWITCH	1	
35102-KHC4-90B		35102-KHC4-90B	COLLAR MAIN SW	COLLAR MAIN SW	1	
35850-KHD8-900		35850-KHD8-900	SET START MAG	SET START MAG	1	
35850-KHD8-90A		35850-KHD8-90A	SET START MAG	SET START MAG	1	
37720		37720-KGBG-E00	EARTH TERMINAL HEATER	EARTH TERMINAL HEATER	1	
38110		38110-KKC3-90B	HORN COMP	HORN COMP	2	
38200		38200-KHE7-900	BOX COMP FUSE	BOX COMP FUSE	1	
38300		38300-KECE-900	RELAY ASSY WINKER	RELAY ASSY WINKER	1	

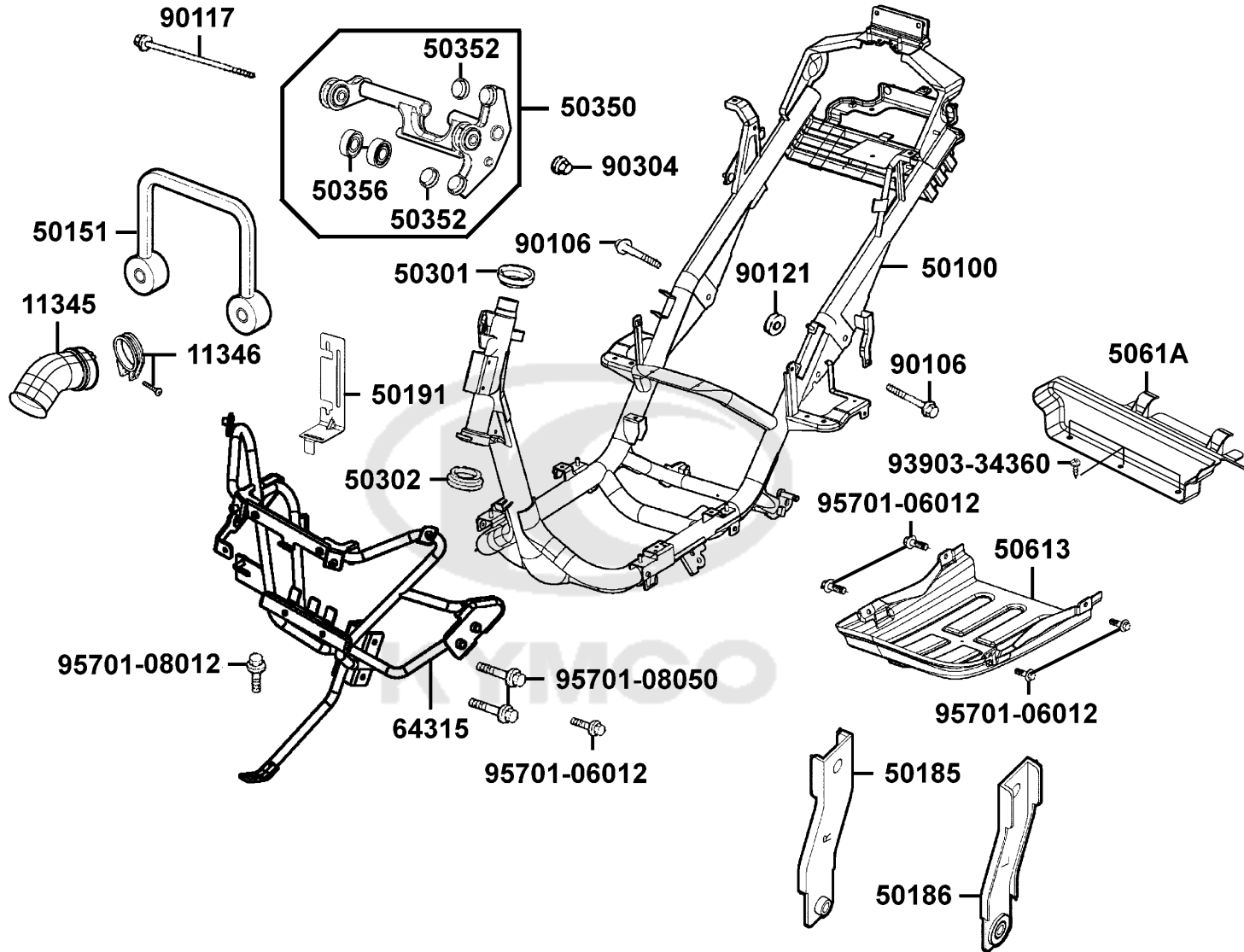


Sales mark	Ref no	Part no	Description	Reg description	Regd no	F19
	39100	39100-KHD8-900	EMI FILTER MOTOR	EMI FILTER MOTOR	1	
	90112	90112-KRDR-900	BOLT FLANGE 5*22	BOLT FLANGE 5*22	1	
**	90656	90656-KUDU-900	BAND HARNESS WIRE	BAND HARNESS WIRE	1	
	93500-04020	93500-04020-0G	SCREW PAN 4*20	SCREW PAN 4*20	3	
	93500-KHC4	93500-KHC4-90A	SCREW PAN 5*10	SCREW PAN 5*10	2	
	94050-06080	94050-06080	NUT FLANGE 6MM	NUT FLANGE 6MM	4	
	94050-08080	94050-08080	NUT FLANGE 8MM	NUT FLANGE 8MM	1	
	95701	95701-KHC5-E00	BOLT TORQUE 8*25	BOLT TORQUE 8*25	2	
	98200-31000	98200-31000	BLADE FUSE 10A	BLADE FUSE 10A	1	
	98200-31500	98200-31500	BLADE FUSE 15A	BLADE FUSE 15A	2	
	98200-32000	98200-32000	BLADE FUSE 20A	BLADE FUSE 20A	1	



F20

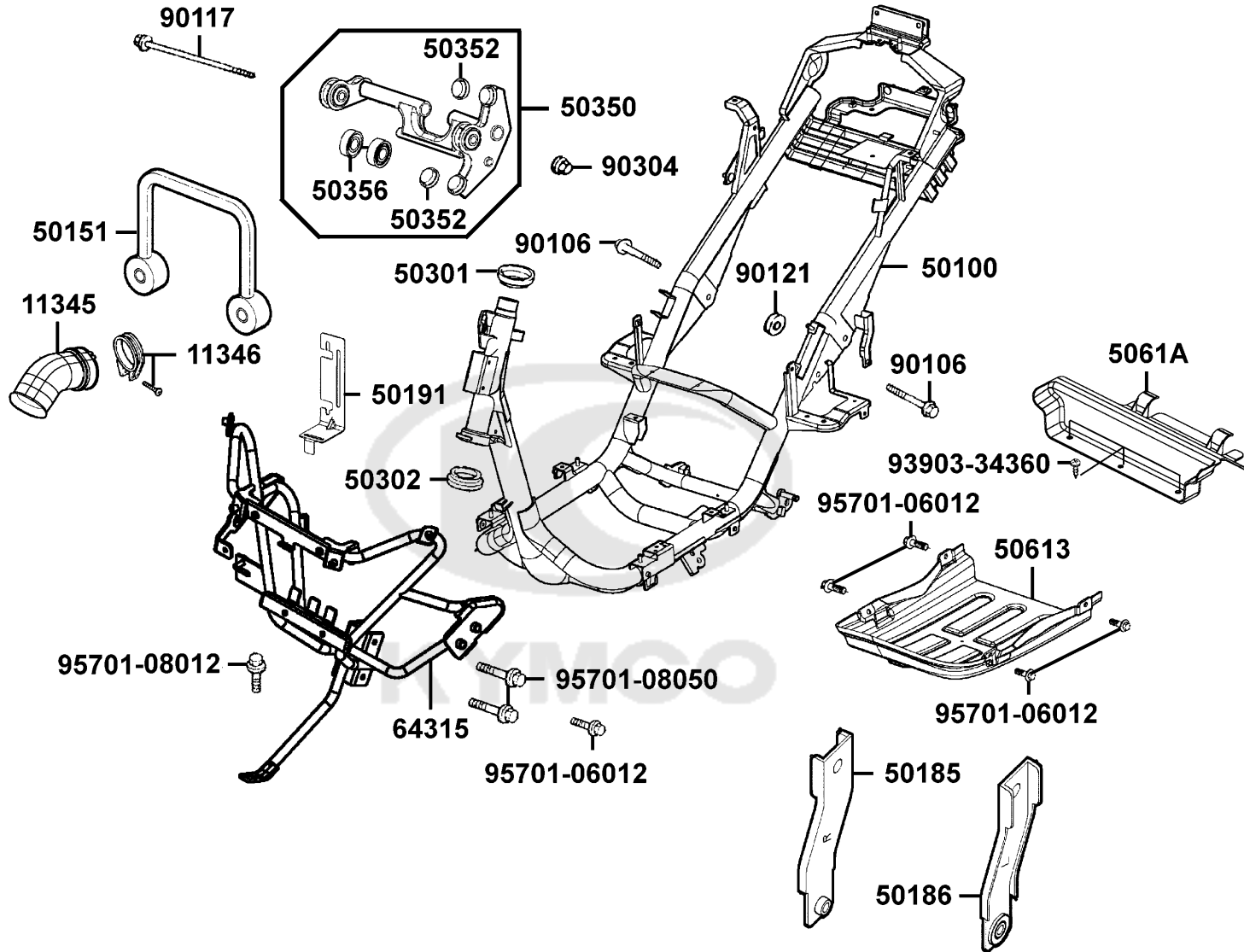
Frame Body



Sales mark	Ref no	Part no	Description	Reg description	Regd no	F20
11345		11345-KKC2-E00	DUCT L COVER	DUCT L COVER	1	
11346		11346-KKC3-900	BAND L COVER DUCT	BAND L COVER DUCT	1	
50100		50100-KKC2-EZ0	BODY COMP FRAME	BODY COMP FRAME	1	
50151		50151-KKC4-900	HOOK CARRIER	HOOK CARRIER	1	
50185		50185-KKC4-900	STAY R BODY COVER	STAY R BODY COVER	1	
50186		50186-KKC4-900	STAY L BODY COVER	STAY L BODY COVER	1	
50191		50191-KKC4-900	STAY ALARM SYSTEM	STAY ALARM SYSTEM	1	
50301		50301-KGN7-671	RACE UP STRG BALL	RACE UP STRG BALL	1	
50302		50302-2H68-011	RACE (STRG BOT) BALL	RACE (STRG BOT) BALL	1	
50350		50350-LEA5-B20	ENG HANGER COMP	ENG HANGER COMP	1	
50352		50352-GFY6-901	RUBBER STOPPER	RUBBER STOPPER	2	
50356		50356-KHE7-E00	BUSH SWING LOCK	BUSH SWING LOCK	2	
50613		50613-KKC4-900	COVER UNDER	COVER UNDER	1	
5061A		5061A-KKC3-900	DEFLECTION UNDER	DEFLECTION UNDER	1	
64315		64315-KKC4-900	STAY FR COVER	STAY FR COVER	1	
90106		90106-KHE7-E00	BOLT FLANGE 12*59	BOLT FLANGE 12*59	2	
90117		90117-KED9-900	BOLT FLANGE 10*265	BOLT FLANGE 10*265	1	
90121		90121-KHE7-E00	COLLAR DISTANCE	COLLAR DISTANCE	1	
90304		90304-GHE8-004	NUT U 10MM	NUT U 10MM	1	
93903-34360		93903-34360	SCREW TAPPING 4*12	SCREW TAPPING 4*12	3	

F20

Frame Body



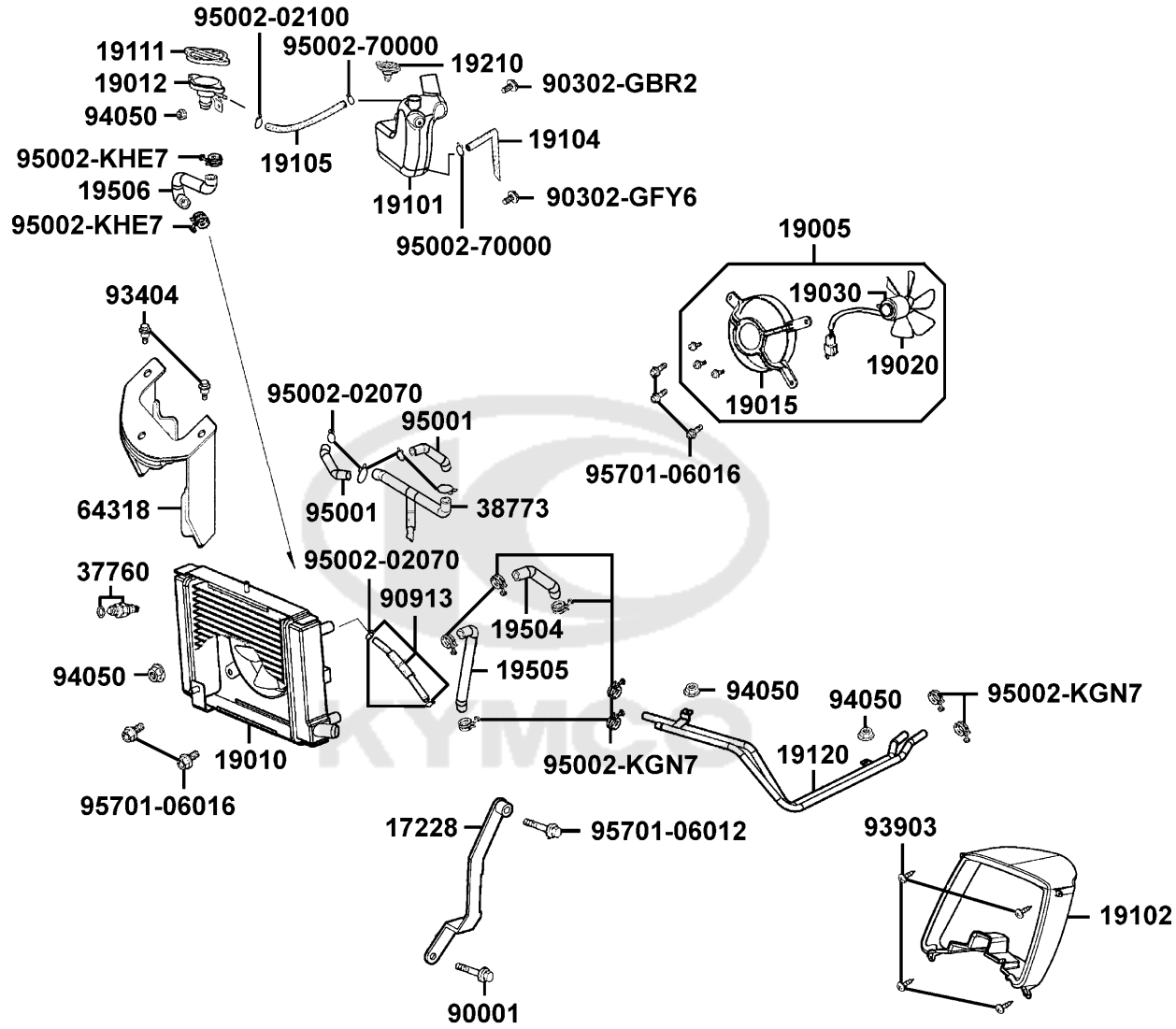
Sales mark	Ref no	Part no	Description	Reg description	Regd no	F20
------------	--------	---------	-------------	-----------------	---------	------------

	95701-06012	95701-06012-08	BOLT FLANGE 6*12	BOLT FLANGE 6*12	5	
	95701-08012	95701-08012-08	BOLT FLANGE 8X12	BOLT FLANGE 8X12	1	
	95701-08050	95701-08050-08	BOLT FLANGE 8*50	BOLT FLANGE 8*50	2	



F21

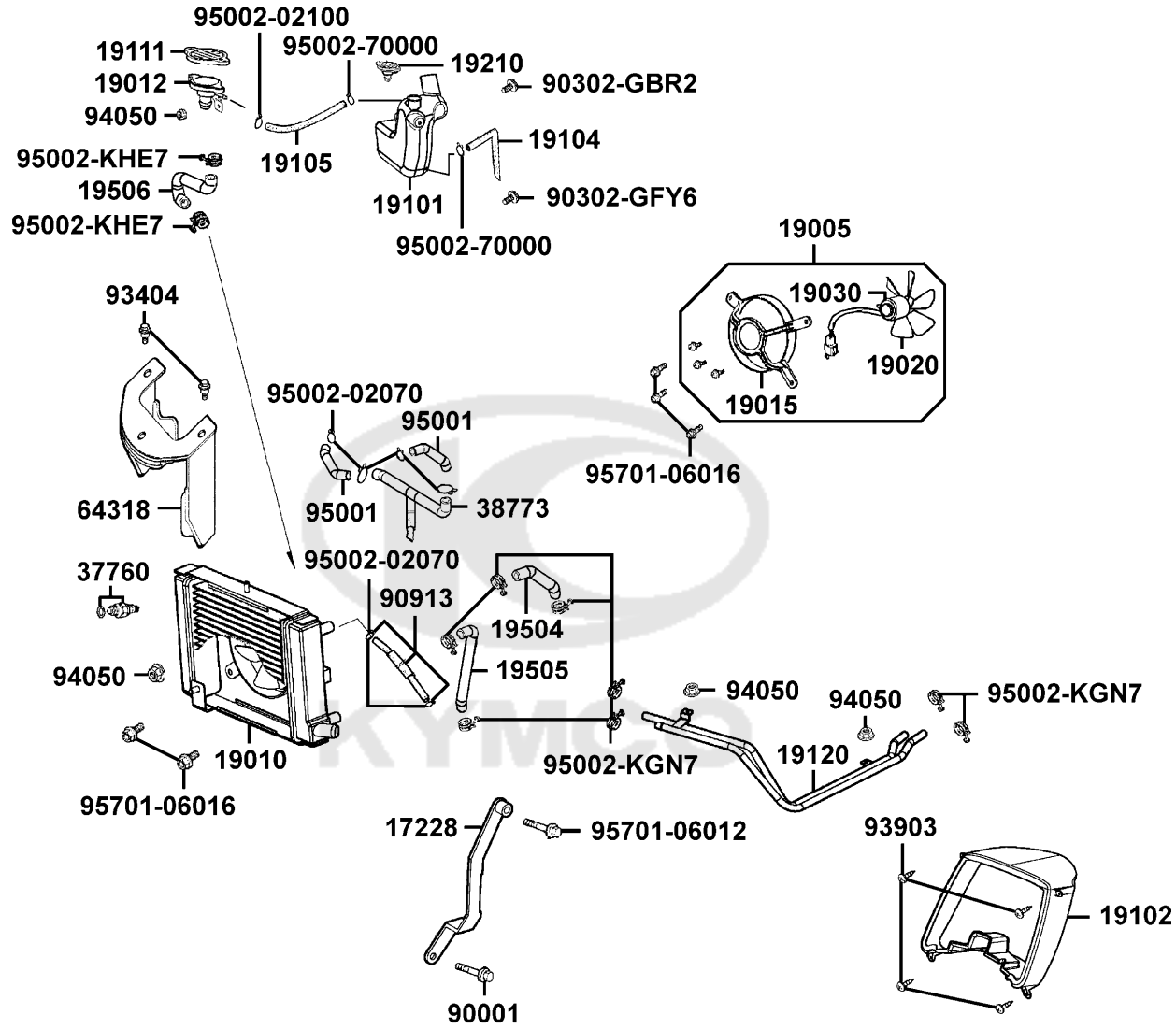
Radiator



Sales mark	Ref no	Part no	Description	Reg description	Regd no	F21
17228		17228-KKC3-900	STAY A/C	STAY A/C	1	
19005		19005-KKC4-900	SHROUD ASSY	SHROUD ASSY	1	
19010		19010-KKC4-900	RADIATOR COMP	RADIATOR COMP	1	
19012		19012-KHD8-900	UNIT RADIATOR	UNIT RADIATOR	1	
19015		19015-KKC4-900	SHROUD COMP	SHROUD COMP	1	
19020		19020-KED9-900	FAN COOLING	FAN COOLING	1	
19030		19030-KHD8-900	MOTOR ASSY FAN	MOTOR ASSY FAN	1	
19101		19101-KKC4-900	TANK RESERVE	TANK RESERVE	1	
19102		19102-KKC4-900	DUCT COOLING AIR	DUCT COOLING AIR	1	
19104		19104-KKC4-900	HOSE ASSY DRAIN	HOSE ASSY DRAIN	1	
19105		19105-KKC4-900	HOSE ASSY RESERVE-COOLER	HOSE ASSY RESERVE-COOLER	1	
19111		19111-GBE2-004	CAP COMP	CAP COMP	1	
19120		19120-KKC4-900	PIPE COMP WATER	PIPE COMP WATER	1	
19210		19210-KKC4-900	CAP RESERVE TANK	CAP RESERVE TANK	1	
19504		19504-KKC4-900	HOSE WATER D RADIATOR-PIPE	HOSE WATER D RADIATOR-PIPE	1	
19505		19505-KKC4-900	HOSE WATER F PIPE-RADIATOR	HOSE WATER F PIPE-RADIATOR	1	
19506		19506-KKC4-900	HOSE WATER G RADIATOR-UNIT	HOSE WATER G RADIATOR-UNIT	1	
37760		37760-KHD8-900	SW ASSY THERMO	SW ASSY THERMO	1	
38773		38773-PKB9-001	JOINT 3 WAY 3.5	JOINT 3 WAY 3.5	1	
64318		64318-KKC4-900	STAY METER	STAY METER	1	

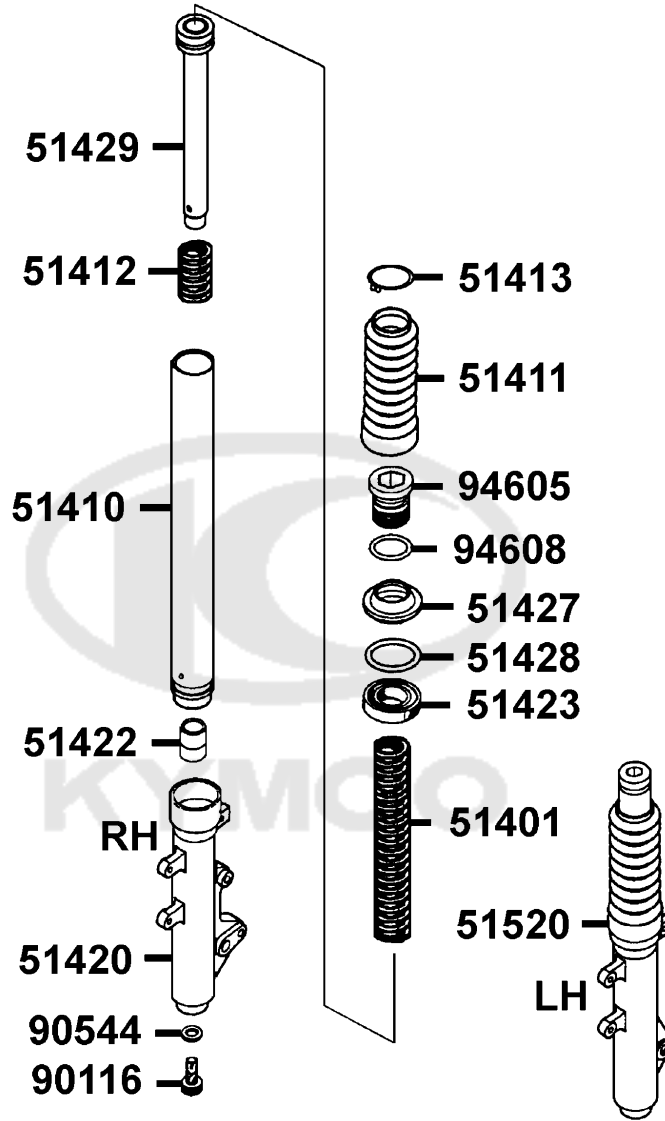
F21

Radiator

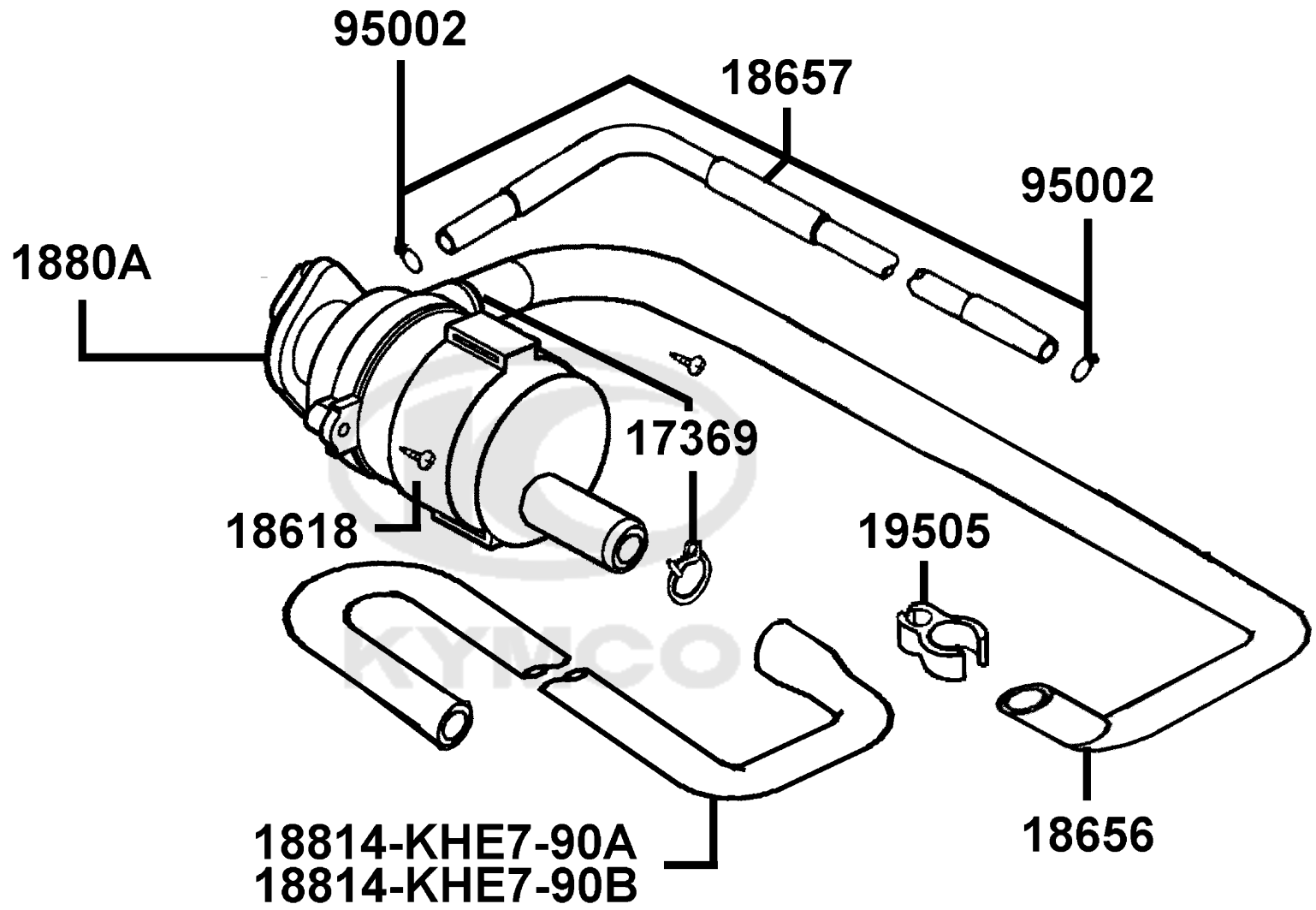


Sales mark	Ref no	Part no	Description	Reg description	Regd no	F21
90001		90001-GBHB-661	BOLT FLANGE SH 6*22	BOLT FLANGE SH 6*22	1	
90302-GBR2		90302-GBR2-001	BOLT WASHER 5*16	BOLT WASHER 5*16	1	
90302-GFY6		90302-GFY6-901	BOLT WASH 5*12	BOLT WASH 5*12	1	
90913		90913-KKC4-900	TUBE ASSY WATER PUMP TO RAD	TUBE ASSY WATER PUMP TO RAD	1	
93404		93404-06016-06	BOLT WASHER 6*16	BOLT WASHER 6*16	2	
93903		93903-34360	SCREW TAPPING 4*12	SCREW TAPPING 4*12	4	
94050		94050-06080	NUT FLANGE 6MM	NUT FLANGE 6MM	4	
95001		95001-35225-40	TUBE FUEL 3.5*225	TUBE FUEL 3.5*225	2	
95002-02070		95002-02070	CLIP B7 PORT TUBE	CLIP B7 PORT TUBE	6	
95002-02100		95002-02100	CLIP B10 TUBE	CLIP B10 TUBE	1	
95002-70000		95002-70000	CLIP C11 TUBE	CLIP C11 TUBE	2	
95002-KGN7		95002-KGN7-910	CLIP TUBE	CLIP TUBE	8	
95002-KHE7		95002-KHE7-900	CLIP WATER HOSE	CLIP WATER HOSE	2	
95701-06012		95701-06012-08	BOLT FLANGE 6*12	BOLT FLANGE 6*12	1	
95701-06016		95701-06016-06	BOLT FLANGE 6*16	BOLT FLANGE 6*16	3	
95701-06016		95701-06016-08	BOLT FLANGER 6*12	BOLT FLANGER 6*12	2	

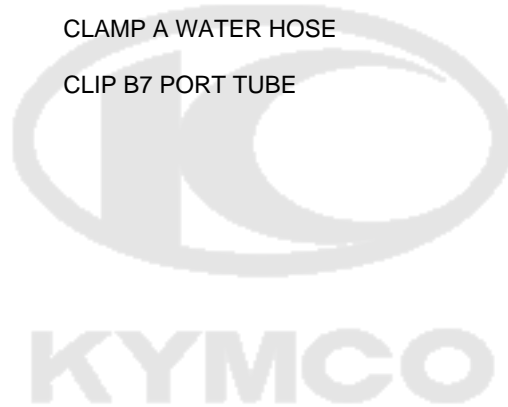
Separated Parts Of Fr Fork



Sales mark	Ref no	Part no	Description	Reg description	Regd no	F22
	51401	51401-KHD8-900	SPRING	SPRING	2	
	51410	51410-KHD8-900	FORK PIPE COMP	FORK PIPE COMP	2	
	51411	51411-KHD8-900	BOOT	BOOT	2	
	51412	51412-KHD8-900	REBOUND SPRING	REBOUND SPRING	2	
	51413	51413-KHD8-900	BOOT BAND	BOOT BAND	2	
**	51420	51420-KKC4-900	BOTTOM CASE R	BOTTOM CASE R	1	
	51422	51422-KKC4-900	OIL LOCK PIECE	OIL LOCK PIECE	2	
	51423	51423-KKAK-900	OIL SEAL	OIL SEAL	2	
	51427	51427-KKAK-900	DUST SEAL	DUST SEAL	2	
	51428	51428-KKAK-900	RING OIL SEAL STOPPER	RING OIL SEAL STOPPER	2	
	51429	51429-KHD8-900	PIPE SEAT COMP	PIPE SEAT COMP	2	
**	51520	51520-KKC4-900	BOTTOM CASE L	BOTTOM CASE L	1	
	90116	90116-KHD8-900	BOLT	BOLT	2	
	90544	90544-KEC8-900	PACKING	PACKING	2	
	94605	94605-KHD8-900	FORK BOLT	FORK BOLT	2	
	94608	94608-30000	O-RING	O-RING	2	



Sales mark	Ref no	Part no	Description	Reg description	Regd no	F23
17369		17369-KDB4-671	CLIP BREATHER TUBE	CLIP BREATHER TUBE	2	
18618		18618-KHD6-900	RUBBER AICV MOUNT	RUBBER AICV MOUNT	1	
18656		18656-KKC2-90A	DUCT AICV REED VALVE	DUCT AICV REED VALVE	1	
18657		18657-KKC4-90A	TUBE ASSY AICV INLET PIPE	TUBE ASSY AICV INLET PIPE	1	
1880A		1880A-KHD8-91A	AI/C AICV ASSY	AI/C AICV ASSY	1	
18814-KHE7-90A		18814-KHE7-90A	DUCT AIR AICV	DUCT AIR AICV	1	
18814-KHE7-90B		18814-KHE7-90B	DUCT AIR AICV	DUCT AIR AICV	1	
19505		19505-GFY6-940	CLAMP A WATER HOSE	CLAMP A WATER HOSE	1	
95002		95002-02070	CLIP B7 PORT TUBE	CLIP B7 PORT TUBE	2	



● Be sure to wear a safety helmet when riding.
 ● Do not exceed the speed specified by law when riding.
 ● The exhaust muffler temperature is very high after riding. Be sure to push the motorcycle in a place not easily touched by people.
 ● For riding safety and good performance, do not violate the law to modify the motorcycle.
 ● Make sure to perform the periodic maintenance and profile inspection.
Periodic Inspection Items
 Brake Performance, tires, engine oil level, lights, horn, and instrument panel
KWANG YANG MOTOR CO., LTD.
© Please read the user's manual carefully to ensure riding safety.

87560

CAUTIONS

Tire Size	:Front 120/70-12	Rear 140/70-12
(One Rider)	:Front 1.75kgf/cm ²	Rear 2.25kgf/cm ²
(Two Rider)	:Front 2.00kgf/cm ²	Rear 2.50kgf/cm ²
Load Capacity	:Shield 1.5kg	City easy center 3kg
	(As per KYMCO standard specification)	
	(Note: The tire pressure must not surpass 2.00kgf/cm ²)	

● Check the motor oil level with the dipstick after refilling motor oil.

KYC-888

87505

TRADE NAME: KYMCO
VEHICLE CATEGORY: B

1	KYMCO KKC3
2	KEHIN VE
3	KYMCO KKC1
4	KY KKC1
5	KYMCO KBE
6	KYMCO KKC3
7	
8	KYMCO KKC1 II
9	KYMCO KKC3 #126
10	KYMCO K17 #146
11	KYMCO K17
12	

Ymf 3004 MS-21

87224

CAUTION

Mobile phone charge only, Use other appliance may cause damage.

KKC2-E000

87541-KKC2

CAUTIONS

Every 5000 km run should exchange the filter.

KYC-300

87512

CAUTIONS

Never put any article between the rear side cover and the engine to avoid interference of riding.

GM9-300

87542

CAUTIONS

Before starting the engine, the side stand shall be kicked up to secure safety.

87541-GAR1

Sales mark	Ref no	Part no	Description	Reg description	Regd no	F24
**	87224	87224-KKC1-EZ0	CAUTION ANTI TAMPERING	CAUTION ANTI TAMPERING	1	
**	87505	87505-KHE7-E00	LABEL TIRE	LABEL TIRE	1	
**	87512	87512-KEBE-E00	CAUTION FILTER	CAUTION FILTER	1	
**	87541-GAR1	87541-GAR1-E00	CAUTION SIDE STAND	CAUTION SIDE STAND	1	
**	87541-KKC2	87541-KKC2-E00	CAUTION MOBILE PHONE	CAUTION MOBILE PHONE	1	
**	87542	87542-GAR1-E00	MARK MAINT CAUTION	MARK MAINT CAUTION	1	
**	87560	87560-GFY6-E00	MARK DRIVE CAUTION	MARK DRIVE CAUTION	1	





86202



86212-KKC4



86212-KHD4



87311



86030

Sales mark	Ref no	Part no	Description	Reg description	Regd no	F25
**	86030	86030-KKC4-900	EMB HANDLE COVER RR	EMB HANDLE COVER RR	1	
**	86202	86202-KKC4-900	EMB BODY COVER	EMB BODY COVER	2	
**	86212-KHD4	86212-KHD4-E00	EMB B BODY COVER	EMB B BODY COVER	2	
**	86212-KKC4	86212-KKC4-900	EMB B BODY COVER	EMB B BODY COVER	2	
**	87311	87311-KKD6-E00	STRIPE MARK EURO2	STRIPE MARK EURO2	1	



PART NO. INDEX

PART NO.	VERSION	PAGE	PART NO.	VERSION	PAGE	PART NO.	VERSION	PAGE
1000			11203-GGC7-301	2	F16	13000		
1001-MA1H-0351	0	E09	11207-KKC4-900	3	F13	13000-KKC2-900	6	E03
1010-43BH-9900	0	E09	11211-KKC2-900	1	F13	13011-GFY6-900	0	E03
1029-845-7000	0	E09	1122A-KKC2-900	0	E05	13101-KED1-900	1	E03
1198-815-2001	0	E09	11341-KKC3-900	7	E01	13111-3D84-001	4	E03
1531-803-2000	0	E09	11345-KKC2-E00	0	F20			
1531-818-2000	0	E09	11346-KKC3-900	0	F20	14000		
1621-885-2000	0	E09	11383-KUDU-900	0	E01	14100-KKC2-220	1	E02
1621-886-2000	0	E09	11384-KHE7-900	1	E03	14401-KUDU-900	0	E03
1703-GJ2H-0040	0	E09	11394-KEBE-900	0	E04	14401-KUDU-90C	0	E03
1782-013H-9900	0	E09	11395-KKC3-900	0	E01	14431-KKC1-900	0	E02
1795-KG8H-9010	0	E09	12000			14450-KEBE-900	0	E02
4000			12100-KKC1-900	2	E03	14461-KEBE-900	0	E02
4000-170-0000	0	E09	12191-KKC2-900	0	E03	14510-KEBE-900	0	E03
11000			12200-KKC1-900	1	E02	14531-KKJ9-001	0	E03
11100-KKC1-305	1	E01	12205-KHE8-301	4	E02	14550-KDS4-00B	3	E03
11102-1G87-004	3	E01	12209-GDB4-68A	0	E02	14553-KGBG-900	0	E03
11192-KKC3-900	0	E01	1221A-KEBE-900	1	E02	14554-KAM1-004	0	E03
11200-KKC3-315	0	E01	12251-KED1-901	0	E02	14555-KKJ9-001	0	E03
11203-GGC7-301	2	E01	12310-KEBE-900	5	E02	14555-LBA2-E00	1	E03
			12361-GFY6-901	1	E04	14557-KGBG-900	0	E03
			12391-KEBE-900	0	E02	14558-KGBG-900	1	E03
						14559-KGBG-900	0	E03

PART NO. INDEX

PART NO.	VERSION	PAGE	PART NO.	VERSION	PAGE	PART NO.	VERSION	PAGE
14560-KGBG-900	1	E03				17231-KKC3-900	3	F13
14610-KKJ9-001	0	E03	16000			1723A-KKC3-E00	5	F13
14711-KEBE-900	1	E02				17254-KACA-P00	0	F13
14721-KAAA-900	3	E02	16051-KN7-7410-M1	0	E09	17255-KGV7-671	0	F13
14751-KKJ9-003	1	E02	16075-KG8-9010-M1	0	E09	17368-KDB4-670	2	F13
14761-KKJ9-003	1	E02	16076-ND5-0040	0	E09	17369-KDB4-671	1	F23
14771-GDB4-680	2	E02	16080-KJ9-0031-3	0	E09	17370-4K19-701	0	F13
14775-MFA6-001	0	E02	16107-KJ9-0030	0	E09	17371-1D74-671	0	F13
14781-MFA6-001	0	E02	1610K-KKC1-EZ0	0	E09	17500-KKC4-900	4	F10
			16111-KN7-7410-M1	0	E09	17502-KKC4-900	0	F10
15000			16155-ZG8-L100	0	E09	17510-KKC4-E00	0	F10
			16163-KCW-0000	0	E09	17520-KKC4-900	1	F19
15100-KKC3-900	3	E07	16217-KEBE-900	1	E02	17550-KHC4-900	0	F10
15133-KAM1-001	1	E07	16218-KEBE-900	1	E02	17620-KHC5-E00	1	F19
15141-KKJ9-004	0	E07	16700-KHE7-900	5	F10	17623-KHC4-90A	6	F19
1541A-KKC3-900	1	E01	16911-KKC4-900	0	F10	17682-KKC4-900	0	F10
15421-1G07-001	1	E04	16912-KKC4-900	0	F10	17683-KKC4-900	0	F10
15421-KKC3-900	1	E01	1691A-KEC2-E00	0	F10	17689-KEBE-900	1	F10
15422-KKC3-900	3	E01				17910-KKC3-900	3	F03
15423-KKC3-900	1	E01	17000					
15426-GAE1-921	0	E04				18000		
1565A-KEBE-900	0	E04	17110-KKC1-E00	3	E02			
15711-KKC3-900	1	E07	17214-KKC3-900	0	F13	18291-LEA5-E00	1	F14
15712-KEBE-900	0	E07	17215-KGBG-90A	2	F13	18293-KECE-900	0	F14
15772-5L00-013	1	F13	1721A-KKC3-900	1	F13	18294-KEBE-900	0	F14
			17228-KKC3-900	2	F21	18295-KECE-900	0	F14

PART NO. INDEX

PART NO.	VERSION	PAGE	PART NO.	VERSION	PAGE	PART NO.	VERSION	PAGE
18305-KHD8-900	0	F14	19102-KKC4-900	0	F21			
18306-KHD8-900	1	F14	19104-KKC4-900	0	F21	21000		
1830A-KKC1-EZB	1	F14	19105-KKC4-900	0	F21			
18318-KKC1-E00	0	F14	19111-GBE2-004	1	F21	21201-KFC8-305	0	E05
18325-KKC1-900	0	F14	19120-KKC4-900	4	F21	21395-KFC8-900	0	E05
18601-MAJ1-791	1	E02	19210-KKC4-900	0	F21			
18612-KEBE-900	0	E02	19211-KKC3-900	0	E08	22000		
18618-KHD6-900	0	F23	19215-KKJ9-011	0	E08			
18645-GFY6-941	0	E02	19217-6G57-024	0	E08	22101-KEBE-900	1	E06
18646-GFY6-941	0	E02	19221-KKC3-900	2	E08	22102-KKC3-900	3	E06
18647-KEBE-900	0	E02	19229-KKC3-900	0	E08	22105-KHD4-E00	1	E06
18656-KKC2-90A	0	F23	19231-KEBE-900	2	E08	22110-KKC3-900	1	E06
18657-KKC4-90A	0	F23	19300-KAE1-004	1	E08	22112-KAAA-900	0	E06
1880A-KHD8-91A	0	F23	19310-KEBE-900	2	E08	22121-KED1-900	3	E06
18814-KHE7-90A	0	F23	19315-KEBE-900	2	E08	22131-KAAA-900	1	E06
18814-KHE7-90B	0	F23	19411-KBCB-900	0	F10	22132-KGN7-670	3	E06
19000			19501-KKC3-910	1	E08	22300-KGN7-671	5	E06
			19502-KEBE-900	0	E03	22350-KGN7-671	1	E06
			19503-KEBE-900	0	E08	22361-KGN7-671	1	E06
19005-KKC4-900	2	F21	19504-KKC4-900	0	F21	22401-KGN7-671	1	E06
19010-KKC4-900	2	F21	19505-GFY6-940	3	F23	22530-LKE7-900	1	E06
19012-KHD8-900	4	F21	19505-KKC4-900	0	F21	22804-GBB2-001	0	E06
19015-KKC4-900	2	F21	19506-KKC4-900	1	F21			
19020-KED9-900	1	F21				23000		
19030-KHD8-900	2	F21						
19101-KKC4-900	0	F21				2301A-KEBE-900	5	E06

PART NO. INDEX

PART NO.	VERSION	PAGE	PART NO.	VERSION	PAGE	PART NO.	VERSION	PAGE
23100-KGN7-67A	1	E06	28230-KNBN-901	0	E01	31500-KFAF-90A	8	F11
23200-KEBE-900	3	E06	28250-KFC8-900	1	E01	31500-KFAF-90B	8	F11
23220-KGN7-671	1	E06	28253-GBN2-60A	0	E01	31600-KAM1-009	1	F19
23225-GHC8-004	0	E06	28255-GFS6-001	0	E01	31601-KKC4-900	4	F19
23226-GHC8-004	0	E06	28281-KKC2-900	1	E01	31602-KKC4-900	0	F19
23233-KGN7-671	1	E06	28300-KKC2-E00	0	F15	3195A-KBCB-900	0	F19
23237-KHG8-901	0	E06						
23411-KKC2-900	0	E05	30000			32000		
23411-KKC3-900	3	E05						
23420-KFC8-900	5	E05	30300-KEBE-900	2	E08	32100-KKC2-900	1	F19
23420-KKC2-900	2	E05	30301-KEBE-90B	0	E08	32410-KKC3-900	1	E07
23431-KFC8-900	2	E05	30400-KGN7-671	0	F19	32411-KKC4-900	1	F11
23432-KFC8-900	4	E05	30510-KEBE-900	6	F19	32412-KKC3-900	2	F11
23432-KKC2-900	1	E05	30700-KGN7-671	2	F19			
28000			31000			33000		
						33100-KKC4-E00	5	F01
28101-KKJ9-011	0	E07	31110-KEBE-900	2	E08	33120-KKC4-E00	1	F01
28102-KKJ9-001	0	E07	31110-KEBE-90B	1	E08	33130-KKC4-E00	0	F01
28110-KGN7-672	0	E07	31120-KEBE-900	5	E08	33400-KKC4-E00	0	F17
28120-KEBE-305	0	E07	31120-KEBE-90B	4	E08	33402-KKC4-E00	0	F17
28125-4F26-001	0	E07	31204-KGN7-670	0	E07	33403-KKC4-E00	0	F17
28126-KUDU-900	1	E07	31205-KGN7-670	0	E07	33407-KKC4-E00	0	F17
28131-KGN7-671	0	E07	31206-KGN7-670	0	E07	33450-KKC4-E00	0	F17
28211-KFC8-900	0	E06	31210-KKC3-900	4	E07	33452-KKC4-E00	0	F17
28223-KNBN-901	0	E01	31210-KKC3-90C	2	E07	33453-KKC4-E00	0	F17

PART NO. INDEX

PART NO.	VERSION	PAGE	PART NO.	VERSION	PAGE	PART NO.	VERSION	PAGE
33457-KKC4-E00	0	F17	34903-KPCP-900	0	F18	37214-KKC3-900	0	F02
33600-KKC4-E00	2	F17	34905-KPCP-900	0	F17	37280-KKC3-900	0	F02
33602-KKC4-E00	0	F17	34906-KPCP-900	0	F18	37720-KGBG-E00	0	F19
33603-KKC4-E00	0	F17	34908-MKB9-87A	0	F02	37750-PAC1-005	0	E08
33606-KKC4-E00	0	F17	34909-KFBF-900	0	F12	37760-KHD8-900	0	F21
33607-KKD7-E00	0	F17				37801-GGA7-701	1	F10
33650-KKC4-E00	2	F17	35000			37802-GGA7-701	2	F10
33652-KKC4-E00	0	F17				3780A-KKC3-900	3	F10
33653-KKC4-E00	0	F17	35101-KKC2-325	0	F19			
33656-KKC4-E00	0	F17	35102-KHC4-900	2	F19	38000		
33700-KKC4-E00	1	F18	35102-KHC4-90B	1	F19			
33702-KKC4-E00	0	F18	3515A-KKC2-E00	1	F03	38110-KKC3-90B	2	F19
33705-KKC4-E00	0	F18	3520A-KEBE-900	2	F03	38200-KHE7-900	0	F19
33706-KHB4-E01	0	F18	35340-KNBN-901	0	F04	38300-KECE-900	3	F19
33709-KBAB-003	0	F18	35350-KNBN-901	0	F04	38500-LGL3-90A	2	F11
33722-KHB4-E00	0	F18	35360-KFBF-900	1	F12	38500-LGL3-90D	2	F11
33725-KHB4-E00	0	F18	35850-KHD8-900	1	F19	38506-KHD8-900	0	F11
33726-KHB4-E00	0	F18	35850-KHD8-90A	0	F19	38773-PKB9-001	0	E02
33741-GFY6-C30	1	F05				38773-PKB9-001	0	F21
33741-KEBE-900	1	F18	37000					
33900-KFBF-900	0	F12				39000		
34000			37200-KKC1-E00	5	F02			
			37203-KKC3-900	0	F02	39100-KHD8-900	0	F19
			37204-KKC3-900	0	F02			
34901-KED9-900	0	F01	37211-KKC3-900	1	F02			
34903-KPCP-900	0	F01	37213-KKC3-900	1	F02			

PART NO. INDEX

PART NO.	VERSION	PAGE	PART NO.	VERSION	PAGE	PART NO.	VERSION	PAGE		
42000			43416-KKC4-900	3	F18	45131-1F66-017	0	F08		
			43530-KFC8-305	1	F04	45131-GBE2-007	1	F07		
			44000			45131-GBE2-007	1	F08		
	42311-KFC8-900	2		F08	45132-1F66-017	0	F07			
	42312-KEBE-900	0		F08	45132-1F66-017	0	F08			
	42601-KHD8-90A	3		F08	44301-KXCX-900	4	F07	45133-MCA3-007	0	F07
	42601-KHD8-90B	2		F08	44311-KEBE-900	0	F07	45133-MCA3-007	0	F08
	42601-KHD8-90C	2		F08	44620-KHD8-900	1	F07	45150-LLB5-305	0	F07
	42710-KKC3-900	1		F08	44650-KHD8-30A	3	F07	45156-KECE-900	2	F06
	42753-0D04-900	1		F08	44650-KHD8-30C	4	F07	45200-KKC2-E00	1	F07
42753-KXCX-900	1	F07		44710-KKC4-900	3	F07	45209-GBE2-007	0	F07	
43000				44800-KFA5-900	2	F07	45209-GBE2-007	0	F08	
			44830-KKC4-900	3	F02	45210-KHD8-900	0	F07		
			44831-KKC4-900	0	F02	45215-KECE-900	0	F07		
	43100-KEBE-910	1	F08	45000		45215-KECE-900	0	F08		
	43126-KKC2-E00	1	F04		45216-1F66-007	0	F07			
	43150-KEBE-306	0	F08		45216-1F66-007	0	F08			
	43156-KKC3-900	0	F04		45107-MEN5-007	0	F07	45216-KFW6-90A	0	F07
	43156-KKC4-900	2	F04		45107-MEN5-007	0	F08	45216-KFW6-90A	0	F08
	43210-KEBE-900	2	F08		45108-MDL4-007	2	F07	45351-KHE7-E00	1	F07
	43215-KEBE-900	0	F08		45108-MDL4-007	2	F08	45513-KXCX-M00	1	F04
43351-KHE7-E00	3	F08	45109-GBE2-007		0	F07	45517-KFAF-910	0	F04	
43352-5H68-004	3	F07	45109-GBE2-007		0	F08	45530-KFC8-E00	2	F04	
43352-5H68-004	3	F08	45126-KKC2-900		2	F04				
43353-4A61-77A	0	F07	45128-KEBE-900	0	F04					
43353-4A61-77A	0	F08	45131-1F66-017	0	F07					

PART NO. INDEX

PART NO.	VERSION	PAGE	PART NO.	VERSION	PAGE	PART NO.	VERSION	PAGE
46000	0	F12	50505-KKD7-900	2	F15	52000		
			50506-KHE7-E00	0	F15			
46514-KFBF-900	0	F12	5050A-KKC3-900	9	F15	52000-KKC3-900	3	F16
			50530-KKC4-E00	1	F15	52400-KKC2-E00	2	F16
50000	2	F20	50531-KEB7-E00	1	F15	52500-KKC2-E00	3	F16
			50532-KGBG-E00	1	F15	53000		
50100-KKC2-EZ0	1	F10	50550-KEB7-E00	1	F15			
50139-KKC4-800	0	F20	50613-KKC4-900	1	F20	53100-KKC4-900	0	F03
50151-KKC4-900	0	F20	5061A-KKC3-900	1	F20	53105-KKC4-900	0	F03
50185-KKC4-900	0	F20	51000	2	F06	53106-KKC4-900	0	F03
50186-KKC4-900	0	F20				51400-KKC4-900	0	F22
50191-KKC4-900	0	F20	51401-KHD8-900	0	F22	53175-KFA5-E10	0	F04
50197-KKC4-900	1	F10	51410-KHD8-900	0	F22	53178-KFC8-E10	0	F04
50301-KGN7-671	2	F20	51411-KHD8-900	0	F22	53200-KKC2-900	2	F06
50302-2H68-011	2	F20	51412-KHD8-900	0	F22	53204-KKC4-900	2	F05
50306-1F96-001	0	F06	51413-KHD8-900	0	F22	53205-KKC4-900	2	F03
50326-KKC4-900	0	F11	51420-KKC4-900	0	F22	53206-KKC4-900	1	F03
50328-KNBN-200	0	F11	51422-KKC4-900	0	F22	53207-KKC4-900	0	F03
5032A-KKC4-900	0	F11	51423-KKAK-900	0	F22	53208-KKC4-900	0	F03
50350-LEA5-B20	1	F20	51427-KKAK-900	0	F22	53209-KKC4-900	0	F03
50352-GFY6-901	0	F20	51428-KKAK-900	0	F22	53211-GFY6-940	1	F06
50356-KHE7-E00	0	F20	51429-KHD8-900	0	F22	53212-2L50-011	1	F06
50502-GFY6-901	3	F15	5150A-KKC4-900	3	F06	53214-2L50-001	0	F06
50504-KKC3-900	2	E01	51520-KKC4-900	0	F22	53214-KKC4-900	0	F05
50505-KHE7-E00	0	F15						

PART NO. INDEX

PART NO.	VERSION	PAGE	PART NO.	VERSION	PAGE	PART NO.	VERSION	PAGE
53215-2L50-001	0	F06	64327-KKC4-900	1	F02	81136-KKC4-900	0	F05
53224-KKC4-900	0	F05	64400-KKC4-900	0	F05	81137-KKC4-900	0	F05
61000			77000			81147-KKC4-900	0	F05
61110-KHD8-900	2	F06	77200-KKC4-E01	1	F09	81151-KKC4-900	0	F12
64000			77210-KKC4-900	0	F09	81201-KKC4-900	1	F12
64220-KKC4-900	1	F05	77220-KKC4-910	1	F09	81202-KKC4-900	0	F12
64221-KKC4-900	0	F05	77235-KKC4-900	0	F12	8120A-KKC4-900	6	F12
64222-KKC4-900	3	F05	77240-KKC4-900	1	F12	81257-KKC4-800	1	F12
64301-KKC4-900	0	F05	77300-KKC4-900	3	F09	81260-KKC4-900	1	F12
64302-KKC4-900	0	F05	77305-KKC4-900	1	F09	81400-KKC4-900	0	F12
64305-KKC4-900	2	F05	80000			81500-KKC4-900	0	F12
64306-KKC4-900	2	F05	80100-KKC4-900	4	F18	83000		
64309-KKC4-900	0	F05	80101-KKC4-900	1	F18	83500-KKC4-900	0	F12
64310-KKC4-900	0	F05	80102-KKC4-900	2	F18	83600-KKC4-900	1	F12
64311-KKC4-900	3	F05	80105-KKC4-900	3	F18	8360A-KKC4-900	0	F13
64312-KKC4-900	3	F05	80106-KKC4-900	0	F18	83750-KKC4-900	2	F12
64315-KKC4-900	4	F20	80151-KKC4-900	0	F12	8376A-KEBE-900	4	F05
64317-KKC4-900	1	F05	81000			86000		
64318-KKC4-900	0	F21	81131-KKC4-900	0	F05	86030-KKC4-900	2	F25
64320-KKC4-900	0	F05	81132-KEB7-900	1	F05	86102-KFA6-E00	2	F05
64321-KKC4-900	3	F05				86202-KKC4-900	1	F25
64322-KKC4-900	1	F05				86212-KHD4-E00	1	F25

PART NO. INDEX

PART NO.	VERSION	PAGE	PART NO.	VERSION	PAGE	PART NO.	VERSION	PAGE
86212-KKC4-900	0	F25				90108-KFC8-E10	0	F15
			89000			90110-KEB7-900	1	F06
87000			89010-KKC4-900	0	F09	90110-KHD8-900	0	F14
87224-KKC1-EZ0	1	F24	89013-KFC8-E00	1	F09	90111-1G87-001	1	F12
87311-KKD6-E00	1	F25	89020-KKC4-900	1	F09	90112-KNBN-901	1	F11
87505-KHE7-E00	1	F24				90112-KNBN-901	1	F18
87508-KKC4-E00	1	F05	90000			90112-KRDR-900	0	F19
87512-KEBE-E00	0	F24				90114-1F66-007	2	F04
87541-GAR1-E00	1	F24	90001-GBHB-661	2	F21	90114-GDM4-011	2	F13
87541-KKC2-E00	1	F24	90012-3C33-001	1	E02	90114-KXCX-900	1	F13
87542-GAR1-E00	2	F24	90021-GFY6-900	2	F14	90116-KHD8-900	0	F22
87560-GFY6-E00	3	F24	90031-KEBE-900	0	E01	90117-KED9-900	1	F20
			90032-KEBE-900	0	E01	90121-KHE7-E00	0	F20
88000			90033-GFY6-900	0	E02	90122-KEBE-900	2	F07
			9008A-KBE2-900	0	E04	90131-GLW0-911	0	F08
88110-KKC3-900	4	F03	90105-KCR3-001	1	F07	90131-KFAF-900	2	F16
88114-KKC4-900	3	F03	90105-KCR3-001	1	F08	90145-MKS9-61A	1	F04
88115-KKC4-900	0	F03	90105-KEC8-900	0	F12	90201-KHR8-75A	1	E08
88116-KKC4-900	3	F03	90105-KEN5-001	0	F12	90202-KGN7-671	0	E06
88120-KKC3-900	4	F03	90105-KNBN-901	0	F12	90206-0A01-001	2	E02
88125-KKC4-900	0	F03	90106-GEN5-901	0	F03	90215-GLM0-910	1	F14
88126-KKC4-900	3	F03	90106-KFC2-900	0	F03	90215-KKC4-900	1	F12
88130-KKC4-900	0	F03	90106-KFC2-900	0	F12	90301-6D34-671	1	F18
88135-KKC4-900	1	F03	90106-KHE7-E00	0	F20	90301-GFY6-901	2	F14
			90106-KKC4-900	0	F12	90302-GBR2-001	1	F05
						90302-GBR2-001	1	F21

PART NO. INDEX

PART NO.	VERSION	PAGE	PART NO.	VERSION	PAGE	PART NO.	VERSION	PAGE
90302-GFY6-901	1	F03	90465-MDC4-001	0	E02	91009-GLE0-004	1	E05
90302-GFY6-901	1	F05	90474-3C33-001	1	E05	91051-KFBF-901	1	F16
90302-GFY6-901	1	F21	90478-7L00-001	0	E02	91101-1K79-711	1	E07
90302-GFY6-940	1	F02	90478-7L00-001	0	E08	91104-KGN7-671	0	E01
90302-GFY6-940	1	F05	9052A-GFY6-950	3	E01	91105-KGN7-672	0	E05
90302-GFY6-940	1	F12	90544-KEC8-900	0	F22	91201-KKJ9-004	0	E08
90302-GFY6-940	1	F18	90545-3L00-001	2	F04	91202-KKJ9-004	0	E01
90302-KEC8-900	1	F03	90605-1F66-721	0	E06	91211-KEBE-900	0	E06
90302-KFC2-900	1	F18	90656-KCBC-900	0	F03	91255-GLE0-006	0	E05
90302-SDA4-004	2	F05	90656-KUDU-900	0	F19	91259-KFBF-900	0	F16
90302-SDA4-004	2	F12	90677-GAR1-004	1	F05	91261-4E15-004	0	E01
90304-4H38-001	2	E02	90677-GAR1-004	1	F18	91301-0H28-001	0	E02
90304-GHE8-004	0	F03	90701-HFB6-011	1	E03	91301-KGV7-671	0	E08
90304-GHE8-004	0	F20	90754-GHC8-00A	1	F07	91302-0A01-021	0	E04
90305-GHK8-001	1	F12	90912-KFLF-00A	0	F07	91302-5G67-004	0	E04
90305-KFW6-900	1	F08	90912-KFLF-00D	0	F07	91302-5G67-004	0	E08
90306-GLW0-90A	1	F07	90913-KKC4-900	0	F21	91303-3G77-001	0	E04
90381-GEZ5-001	1	F12	90915-KKC4-900	1	F02	91307-0E35-001	0	E04
90401-KKJ9-001	0	E08				91309-4E25-004	0	E07
90403-KGN7-671	0	E06	91000			91384-KEBE-900	0	E06
90411-KAM1-001	0	E05				91407-SGA7-004	0	F13
90412-3K29-001	0	E01	91001-GFY6-90A	2	E06	91508-KGV7-67A	0	F18
90421-KAM1-004	0	E03	91001-KKJ9-006	0	E08	91981-KGN7-670	0	E07
90423-KKJ9-001	0	E08	91002-GGA7-70A	0	E06			
90446-3G57-001	0	E05	91003-KDS4-004	1	E05			
90451-GBN2-601	0	E01	91008-GLE0-004	0	E02			

PART NO. INDEX

PART NO.	VERSION	PAGE	PART NO.	VERSION	PAGE	PART NO.	VERSION	PAGE
92000			93600-04012-1G	0	F04	93903-GFY6-900	1	F05
			93700-05018-0H	0	F02	93903-GFY6-900	1	F11
			93891-05012-06	0	F05	93903-GFY6-900	1	F12
			93891-05016-08	0	F13	93903-KEB7-900-06	1	F05
92000-05032-0H	0	E08	93891-05030-07	0	F18	93903-KEB7-900-06	1	F18
92000-06028-0H	0	E07	93892-04006-08	0	E07			
92712-06028-0B	2	E02	93892-04008-18	0	E09	94000		
92900-06045-0B	0	E02	93893-04012-18	0	F04			
93000			93901-32220	0	F17	94050-05080	0	F18
			93901-32310	0	F17	94050-06080	0	E02
			93901-34220	0	F17	94050-06080	0	F04
			93901-34320	0	F18	94050-06080	0	F05
			93903-25460	0	F13	94050-06080	0	F09
			93903-34360	0	F03	94050-06080	0	F10
			93903-34360	0	F05	94050-06080	0	F11
			93903-34360	0	F12	94050-06080	0	F19
			93903-34360	0	F13	94050-06080	0	F21
			93903-34360	0	F17	94050-08080	0	E02
			93903-34360	0	F18	94050-08080	0	F19
			93903-34360	0	F20	94050-12080	0	E06
			93903-34360	0	F21	94101-06200	0	F14
			93903-35220	0	F10	94101-08700	0	F15
			93903-35220	0	F13	94111-05800	0	E07
			93903-35360	0	F01	94111-06800	0	F14
			93903-35360	0	F03	94251-08400	0	F15
			93903-35360	0	F12	94301-08140	0	E01

PART NO. INDEX

PART NO.	VERSION	PAGE	PART NO.	VERSION	PAGE	PART NO.	VERSION	PAGE
94301-08140	0	E04	95002-02070	0	F21	95701-06022-06	1	F04
94301-08140	0	E05	95002-02070	0	F23	95701-06022-06	1	F15
94301-08140	0	E08	95002-02080	0	E05	95701-06025-08	0	E02
94301-10160	0	E02	95002-02080	0	F10	95701-08012-08	0	E01
94301-10160	0	E03	95002-02100	0	F10	95701-08012-08	0	E05
94303-04065	0	E07	95002-02100	0	F21	95701-08012-08	0	F20
94510-10000	0	E07	95002-02130	0	F10	95701-08030-08	0	F16
94510-15000	0	E02	95002-02130	0	F13	95701-08050-08	0	F20
94510-20000	0	E05	95002-50000	0	F02	95701-KHC5-E00	3	F19
94511-14000	0	E01	95002-70000	0	F21	95801-08040-08	0	F06
94520-26000	0	E08	95002-KGN7-910	1	E03	95801-08042-06	0	F14
94520-28000	0	E06	95002-KGN7-910	1	E08	95801-08065-06	0	F14
94524-42000	0	F16	95002-KGN7-910	1	F21	95801-10025-08	0	F15
94591-27000	0	F05	95002-KHE7-900	0	F21	95801-10035-08	0	F16
94591-KFBF-900	2	E02	95003-23031-60	0	F13			
94591-KFBF-900	2	E08	95701-06012-08	0	F01	96000		
94601-15000	0	E03	95701-06012-08	0	F04			
94601-33000	0	E06	95701-06012-08	0	F06	96001-06008-07	0	F14
94605-KHD8-900	0	F22	95701-06012-08	0	F10	96001-06010-08	0	E08
94608-30000	0	F22	95701-06012-08	0	F11	96001-06010-08	0	F14
			95701-06012-08	0	F12	96001-06014-08	0	E07
95000			95701-06012-08	0	F20	96001-06014-08	0	F10
			95701-06012-08	0	F21	96001-06016-08	0	E01
95001-35225-40	0	F21	95701-06014-08	0	F10	96001-06016-08	0	E02
95002-02070	0	E02	95701-06016-06	1	F21	96001-06016-08	0	E07
95002-02070	0	F10	95701-06016-08	0	F21	96001-06018-08	0	E03

PART NO. INDEX

PART NO.	VERSION	PAGE	PART NO.	VERSION	PAGE	PART NO.	VERSION	PAGE
96001-06018-08	0	E08	98200-31000	1	F19			
96001-06020-08	0	E08	98200-31500	0	F11	S		
96001-06022-08	0	E08	98200-31500	0	F19			
96001-06025-08	0	E02	98200-32000	0	F11	S7860-112-B000	0	E09
96001-06028-02	0	E08	98200-32000	0	F19			
96001-06032-08	0	E02				W		
96001-06035-08	0	E05	99000					
96001-06040-08	0	E01				W1314-014-9901	0	E09
96001-06040-08	0	E04	99101-393-1020	0	E09	W1351-433-9900	0	E09
96001-06040-08	0	E05				W1446-54B-9900	0	E09
96001-06045-08	0	E04	D			W1506-032-9910	0	E09
96001-06050-08	0	E01				W1536-110-9900	0	E09
96001-06060-08	0	E01	D1310-853-0110	0	E09	W1561-107-9920	0	E09
96001-06120-08	0	E01	D30AV-AR4-0100	0	E09	W1711-518-9902	0	E09
96001-06120-08	0	E04				W1711-769-9910	0	E09
96100-60000-00	0	E08	K			W1711-849-9900	0	E09
96100-62030-00	0	E01	KYMC			W1795-157-9900	0	E09
96211-05000	0	F06	K785-KHD-0200	0	E09	W9535-25000	0	E09
96211-08000	0	F06	K785-KN7-0100	0	E09	W9535-45000	0	E09
96220-60100	0	E07						
96600-08015-10	1	E07	N					
98000			N413-30B00	0	E09			
			N425-9ZA00	0	E09			
98069-5791R-00	0	E02						
98200-31000	1	F11						