

# PARTS CATALOGUE



## SCOOTERS

SK60AE(MK)

DOWNTOWN 300i



Release Date : 1899/12/31  
Print Date : 2013/07/25

## ABOUT THIS PARTS LIST

- This parts list is compiled all service parts for model SK60AE(MK).
- Any difference between color chart and motorcycle will be revised according to motorcycle.
- The Mark:
  1. Marking "\*\*\*" must add color code in the end before ordering parts.
  2. Marking "#" are parts with modification, Please find the details from e-Parts system.
- When modification or additions to this parts list are made a revised edition at an appropriate time.



# CONTENTS

● ABOUT THIS PARTS LIST .....	1
● COLOR CHART OF SK60AE(MK) .....	3
● CONTENTS-ENGINE GROUP .....	15
● CONTENTS-FRAME GROUP .....	16
● ENGINE PARTS LIST .....	19
● FRAME PARTS LIST .....	49
● PART NO. INDEX .....	125

NO	MODEL			COLOR CHART OF SK60AE(MK)			
	PHOTO NO			NO. 1	NO. 2	NO. 3	NO. 4
	BASIC COLOR				Bright Silver		Dark Gray Metallic
	CODE				Bright Silver		Dark Gray Metallic
	PARTS NAME	PARTS NO.	VERSION	NH045MA	NH045MA	NH124MA	NH124MA
1	FENDER ASSY FR	61100-LEA7-E00	4	DOC		DOM	
2	L COVER. COVER COMP	1134A-LEA7-E00	9	D2G			
3	L COVER COVER	1134B-LEA7-E00	0				
4	COSMETIC METER	37216-LEA7-E00	1				
5	GRIP COMP THROT	53140-LEA7-E00	4				
6	GRIP COMP L HANDLE	53150-LEA6-900	4				
7	WIND SCREEN	64220-LEA7-E00	6				
8	LEVER R STRG HANDLE	53175-KKE5-E00	0				
9	LEVER L STRG HANDLE	53178-KKE5-E00	0				
10	LID FR COVER	64307-LEA7-E00	4				
11	MESH ,UNDER COWL	64401-LEA7-E00	4				
12	TUNNEL LEG SHIELD	81141-LEA7-E00	3				
13	MIRROR ASSY.R/H	88110-LEA7-E00	3				
14	MIRROR ASSY.L/H BACK	88120-LEA7-E00	3				
15	COVER.UNDER	50613-LEA7-E00	7				
16	COVER METER FR	53203-LEA7-E00	5				
17	COVER METER RR	53204-LEA7-E00	9				
18	COVER HANDLE UP	53205-LEA7-E00	5				
19	COVER HANDLE LOW	53206-LEA7-E00	4				
20	FENDER FR INNER	61101-LEA7-E00	3	N1R			
21	PLUG WIND SCREEN	64223-LEA7-E00	5				
22	FLOOR PANEL R	64310-LEA7-E00	5				
23	LID RESERVE TANK	64311-LEA7-E00	3				
24	BOARD.R PANEL FLOOR	64312-LEA7-E00	6				
25	BOARD.R PANEL FLOOR	64313-LEA7-E00	6				
DATE OF STARTING-SALES							
DATE OF END-SALES							

NO	MODEL			COLOR CHART OF SK60AE(MK)			
	PHOTO NO			NO. 5	NO. 6	NO. 7	NO. 8
	BASIC COLOR			Pearly White		Ivory White	
	CODE			Pearly White		Ivory White	
	PARTS NAME	PARTS NO.	VERSION	NH193PA	NH193PA	NH190PA	RR174MA
1	FENDER ASSY FR	61100-LEA7-E00	4	D1S		D1Y	DDS
2	L COVER. COVER COMP	1134A-LEA7-E00	9	D2G			
3	L COVER COVER	1134B-LEA7-E00	0				
4	COSMETIC METER	37216-LEA7-E00	1	F1P			
5	GRIP COMP THROT	53140-LEA7-E00	4	H5R			
6	GRIP COMP L HANDLE	53150-LEA6-900	4				
7	WIND SCREEN	64220-LEA7-E00	6	L9R			
8	LEVER R STRG HANDLE	53175-KKE5-E00	0	M3A			
9	LEVER L STRG HANDLE	53178-KKE5-E00	0				
10	LID FR COVER	64307-LEA7-E00	4	N1P			
11	MESH ,UNDER COWL	64401-LEA7-E00	4				
12	TUNNEL LEG SHIELD	81141-LEA7-E00	3				
13	MIRROR ASSY.R/H	88110-LEA7-E00	3				
14	MIRROR ASSY.L/H BACK	88120-LEA7-E00	3				
15	COVER.UNDER	50613-LEA7-E00	7				
16	COVER METER FR	53203-LEA7-E00	5	N1R			
17	COVER METER RR	53204-LEA7-E00	9				
18	COVER HANDLE UP	53205-LEA7-E00	5				
19	COVER HANDLE LOW	53206-LEA7-E00	4				
20	FENDER FR INNER	61101-LEA7-E00	3				
21	PLUG WIND SCREEN	64223-LEA7-E00	5				
22	FLOOR PANEL R	64310-LEA7-E00	5				
23	LID RESERVE TANK	64311-LEA7-E00	3				
24	BOARD.R PANEL FLOOR	64312-LEA7-E00	6				
25	BOARD.R PANEL FLOOR	64313-LEA7-E00	6				
DATE OF STARTING-SALES							
DATE OF END-SALES							

NO	MODEL			COLOR CHART OF SK60AE(MK)			
	PHOTO NO			NO. 9			
	BASIC COLOR			Dark Redish Brown			
	CODE			Dark Redish Brown			
	PARTS NAME	PARTS NO.	VERSION	RR174MA			
1	FENDER ASSY FR	61100-LEA7-E00	4	DDS			
2	L COVER. COVER COMP	1134A-LEA7-E00	9	D2G			
3	L COVER COVER	1134B-LEA7-E00	0				
4	COSMETIC METER	37216-LEA7-E00	1	F1P			
5	GRIP COMP THROT	53140-LEA7-E00	4	H5R			
6	GRIP COMP L HANDLE	53150-LEA6-900	4				
7	WIND SCREEN	64220-LEA7-E00	6	L9R			
8	LEVER R STRG HANDLE	53175-KKE5-E00	0	M3A			
9	LEVER L STRG HANDLE	53178-KKE5-E00	0				
10	LID FR COVER	64307-LEA7-E00	4	N1P			
11	MESH ,UNDER COWL	64401-LEA7-E00	4				
12	TUNNEL LEG SHIELD	81141-LEA7-E00	3				
13	MIRROR ASSY.R/H	88110-LEA7-E00	3				
14	MIRROR ASSY.L/H BACK	88120-LEA7-E00	3				
15	COVER.UNDER	50613-LEA7-E00	7	N1R			
16	COVER METER FR	53203-LEA7-E00	5				
17	COVER METER RR	53204-LEA7-E00	9				
18	COVER HANDLE UP	53205-LEA7-E00	5				
19	COVER HANDLE LOW	53206-LEA7-E00	4				
20	FENDER FR INNER	61101-LEA7-E00	3				
21	PLUG WIND SCREEN	64223-LEA7-E00	5				
22	FLOOR PANEL R	64310-LEA7-E00	5				
23	LID RESERVE TANK	64311-LEA7-E00	3				
24	BOARD.R PANEL FLOOR	64312-LEA7-E00	6				
25	BOARD.R PANEL FLOOR	64313-LEA7-E00	6				
DATE OF STARTING-SALES							
DATE OF END-SALES							

NO	MODEL			COLOR CHART OF SK60AE(MK)							
	PHOTO NO			NO. 1	NO. 2	NO. 3	NO. 4				
	BASIC COLOR				Bright Silver		Dark Gray Metallic				
	CODE				Bright Silver		Dark Gray Metallic				
	PARTS NAME	PARTS NO.	VERSION	NH045MA	NH045MA	NH124MA	NH124MA				
26	MAT R FLOOR	64320-LEA7-E00	3	N1R							
27	FLOOR PANEL L	64330-LEA7-E00	5								
28	MAT L FLOOR	64340-LEA7-E00	3								
29	MAT R LEG SHIELD	64350-LEA7-E00	5								
30	MAT L LEG SHIELD	64360-LEA7-E00	3								
31	COWL UNDER	64400-LEA7-E00	6								
32	UNDER COWL LOW	64500-LEA7-E00	4								
33	FENDER RR TIRE	80100-LEA7-E00	6								
34	FENDER RR INNER	80101-LEA7-E00	4								
35	FENDER RR	80105-LEA7-E00	4								
36	FENDER LOW RR	80106-LEA7-E00	3								
37	COVER LICENSE LIGHT	80107-LEA7-E00	3								
38	COVER CENTER	80151-LEA7-E00	4								
39	COVER PLUG MAINT	80152-LEA7-E00	7								
40	LEG SHIELD	81131-LEA7-E00	8								
41	LID L/H FR INNER BOX	81132-LEA7-E00	8								
42	BOX L/H FR INNER	81134-LEA7-E00	6								
43	FR INNER BOX.ASSY.	8113A-LEA7-E00	9								
44	COVER PROTECTOR	83503-KHD6-900	2								
45	COVER FR	64301-LEA7-E00	2					N8P		NFP	
46	COVER R BODY	83500-LEA7-E00	3								
47	COVER L BODY	83600-LEA7-E00	3								
48	COVER RR CENTER	83750-LEA7-E00	2								
49	COVER COMP RIGHT	11330-LEA7-E00	13					NEA			
50	COVER WATER PUMP	19221-LGE5-E00	1								
DATE OF STARTING-SALES											
DATE OF END-SALES											

NO	MODEL			COLOR CHART OF SK60AE(MK)			
	PHOTO NO			NO. 5	NO. 6	NO. 7	NO. 8
	BASIC COLOR			Pearly White		Ivory White	
	CODE			Pearly White		Ivory White	
	PARTS NAME	PARTS NO.	VERSION	NH193PA	NH193PA	NH190PA	RR174MA
26	MAT R FLOOR	64320-LEA7-E00	3	N1R			
27	FLOOR PANEL L	64330-LEA7-E00	5				
28	MAT L FLOOR	64340-LEA7-E00	3				
29	MAT R LEG SHIELD	64350-LEA7-E00	5				
30	MAT L LEG SHIELD	64360-LEA7-E00	3				
31	COWL UNDER	64400-LEA7-E00	6				
32	UNDER COWL LOW	64500-LEA7-E00	4				
33	FENDER RR TIRE	80100-LEA7-E00	6				
34	FENDER RR INNER	80101-LEA7-E00	4				
35	FENDER RR	80105-LEA7-E00	4				
36	FENDER LOW RR	80106-LEA7-E00	3				
37	COVER LICENSE LIGHT	80107-LEA7-E00	3				
38	COVER CENTER	80151-LEA7-E00	4				
39	COVER PLUG MAINT	80152-LEA7-E00	7				
40	LEG SHIELD	81131-LEA7-E00	8				
41	LID L/H FR INNER BOX	81132-LEA7-E00	8				
42	BOX L/H FR INNER	81134-LEA7-E00	6				
43	FR INNER BOX.ASSY.	8113A-LEA7-E00	9				
44	COVER PROTECTOR	83503-KHD6-900	2				
45	COVER FR	64301-LEA7-E00	2				
46	COVER R BODY	83500-LEA7-E00	3				
47	COVER L BODY	83600-LEA7-E00	3				
48	COVER RR CENTER	83750-LEA7-E00	2	HXP			
49	COVER COMP RIGHT	11330-LEA7-E00	13				
50	COVER WATER PUMP	19221-LGE5-E00	1				
				NEA			
DATE OF STARTING-SALES							
DATE OF END-SALES							



NO	MODEL			COLOR CHART OF SK60AE(MK)			
	PHOTO NO			NO. 9			
	BASIC COLOR			Dark Redish Brown			
	CODE			Dark Redish Brown			
	PARTS NAME	PARTS NO.	VERSION	RR174MA			
26	MAT R FLOOR	64320-LEA7-E00	3	N1R			
27	FLOOR PANEL L	64330-LEA7-E00	5				
28	MAT L FLOOR	64340-LEA7-E00	3				
29	MAT R LEG SHIELD	64350-LEA7-E00	5				
30	MAT L LEG SHIELD	64360-LEA7-E00	3				
31	COWL UNDER	64400-LEA7-E00	6				
32	UNDER COWL LOW	64500-LEA7-E00	4				
33	FENDER RR TIRE	80100-LEA7-E00	6				
34	FENDER RR INNER	80101-LEA7-E00	4				
35	FENDER RR	80105-LEA7-E00	4				
36	FENDER LOW RR	80106-LEA7-E00	3				
37	COVER LICENSE LIGHT	80107-LEA7-E00	3				
38	COVER CENTER	80151-LEA7-E00	4				
39	COVER PLUG MAINT	80152-LEA7-E00	7				
40	LEG SHIELD	81131-LEA7-E00	8				
41	LID L/H FR INNER BOX	81132-LEA7-E00	8				
42	BOX L/H FR INNER	81134-LEA7-E00	6				
43	FR INNER BOX.ASSY.	8113A-LEA7-E00	9				
44	COVER PROTECTOR	83503-KHD6-900	2				
45	COVER FR	64301-LEA7-E00	2				
46	COVER R BODY	83500-LEA7-E00	3				
47	COVER L BODY	83600-LEA7-E00	3				
48	COVER RR CENTER	83750-LEA7-E00	2	NEA			
49	COVER COMP RIGHT	11330-LEA7-E00	13				
50	COVER WATER PUMP	19221-LGE5-E00	1				
DATE OF STARTING-SALES							
DATE OF END-SALES							

NO	MODEL			COLOR CHART OF SK60AE(MK)			
	PHOTO NO			NO. 1	NO. 2	NO. 3	NO. 4
	BASIC COLOR				Bright Silver		Dark Gray Metallic
	CODE				Bright Silver		Dark Gray Metallic
	PARTS NAME	PARTS NO.	VERSION	NH045MA	NH045MA	NH124MA	NH124MA
51	WHEEL COMP RR	42601-LEA7-E00	7	NEA			
52	CALIPER ASSY RR	43100-LEA7-E00	6				
53	WHEEL ASSY FR	44600-LEA7-305	0				
54	CALIPER ASSY FR	45200-LEA7-E00	7				
55	FORK ASSY R FR	51400-LEA7-E00	6				
56	BOTTOM CASE R	51420-LEA7-E00	0				
57	FORK ASSY L FR	51500-LEA7-E00	6				
58	BOTTOM CASE L	51520-LEA7-E00	0				
59	FORK ASSY. RR	52000-LEA7-E00	8				
60	CAP AC GENERATOR	90084-KKF9-901	0				
61	BOARD R FR COVER	64303-LEA7-E00	3	NEP			
62	BOARD L FR COVER	64304-LEA7-E00	3				
63	SKIRT R SIDE	64305-LEA7-E00	3				
64	SKIRT L SIDE	64306-LEA7-E00	3				
65	MOLDING RR CENTER	83751-LEA7-E00	2	NES			
66	CUSHION ASSY RR	52400-LEA7-E00	6				
67	SEAT ASSY	77200-LEA7-305	0	T01			
68	EMB K-LOGO 30MM	86102-LEA5-E00	1				
69	EMB BODY COVER	86202-LEA7-E01	3				
70	EMB MARK 300i	87140-LEA7-E00	3				
71	LABEL TIRE	87505-LEA7-E01	1				
72	LABEL CLEANNESS	87508-KKC4-E00	1				
73	CAUTION FILTER	87512-KEBE-E00	0				
74	CAUTION SIDE STAND	87541-GAR1-E00	1				
75	CAUTION MOBILE	87541-KKC2-E00	1				
DATE OF STARTING-SALES							
DATE OF END-SALES							

NO	MODEL			COLOR CHART OF SK60AE(MK)			
	PHOTO NO			NO. 5	NO. 6	NO. 7	NO. 8
	BASIC COLOR			Pearly White		Ivory White	
	CODE			Pearly White		Ivory White	
	PARTS NAME	PARTS NO.	VERSION	NH193PA	NH193PA	NH190PA	RR174MA
51	WHEEL COMP RR	42601-LEA7-E00	7	NEA			
52	CALIPER ASSY RR	43100-LEA7-E00	6				
53	WHEEL ASSY FR	44600-LEA7-305	0				
54	CALIPER ASSY FR	45200-LEA7-E00	7				
55	FORK ASSY R FR	51400-LEA7-E00	6				
56	BOTTOM CASE R	51420-LEA7-E00	0				
57	FORK ASSY L FR	51500-LEA7-E00	6				
58	BOTTOM CASE L	51520-LEA7-E00	0				
59	FORK ASSY. RR	52000-LEA7-E00	8				
60	CAP AC GENERATOR	90084-KKF9-901	0				
61	BOARD R FR COVER	64303-LEA7-E00	3	NEP			
62	BOARD L FR COVER	64304-LEA7-E00	3				
63	SKIRT R SIDE	64305-LEA7-E00	3				
64	SKIRT L SIDE	64306-LEA7-E00	3				
65	MOLDING RR CENTER	83751-LEA7-E00	2	NES			
66	CUSHION ASSY RR	52400-LEA7-E00	6				
67	SEAT ASSY	77200-LEA7-305	0	T01			
68	EMB K-LOGO 30MM	86102-LEA5-E00	1				
69	EMB BODY COVER	86202-LEA7-E01	3				
70	EMB MARK 300i	87140-LEA7-E00	3				
71	LABEL TIRE	87505-LEA7-E01	1				
72	LABEL CLEANNESS	87508-KKC4-E00	1				
73	CAUTION FILTER	87512-KEBE-E00	0				
74	CAUTION SIDE STAND	87541-GAR1-E00	1				
75	CAUTION MOBILE	87541-KKC2-E00	1				
DATE OF STARTING-SALES							
DATE OF END-SALES							

NO	MODEL			COLOR CHART OF SK60AE(MK)			
	PHOTO NO			NO. 9			
	BASIC COLOR			Dark Redish Brown			
	CODE			Dark Redish Brown			
	PARTS NAME	PARTS NO.	VERSION	RR174MA			
51	WHEEL COMP RR	42601-LEA7-E00	7	NEA			
52	CALIPER ASSY RR	43100-LEA7-E00	6				
53	WHEEL ASSY FR	44600-LEA7-305	0				
54	CALIPER ASSY FR	45200-LEA7-E00	7				
55	FORK ASSY R FR	51400-LEA7-E00	6				
56	BOTTOM CASE R	51420-LEA7-E00	0				
57	FORK ASSY L FR	51500-LEA7-E00	6				
58	BOTTOM CASE L	51520-LEA7-E00	0				
59	FORK ASSY. RR	52000-LEA7-E00	8				
60	CAP AC GENERATOR	90084-KKF9-901	0				
61	BOARD R FR COVER	64303-LEA7-E00	3				
62	BOARD L FR COVER	64304-LEA7-E00	3				
63	SKIRT R SIDE	64305-LEA7-E00	3				
64	SKIRT L SIDE	64306-LEA7-E00	3				
65	MOLDING RR CENTER	83751-LEA7-E00	2	NES			
66	CUSHION ASSY RR	52400-LEA7-E00	6				
67	SEAT ASSY	77200-LEA7-305	0	T01			
68	EMB K-LOGO 30MM	86102-LEA5-E00	1				
69	EMB BODY COVER	86202-LEA7-E01	3				
70	EMB MARK 300i	87140-LEA7-E00	3				
71	LABEL TIRE	87505-LEA7-E01	1				
72	LABEL CLEANNESS	87508-KKC4-E00	1				
73	CAUTION FILTER	87512-KEBE-E00	0				
74	CAUTION SIDE STAND	87541-GAR1-E00	1				
75	CAUTION MOBILE	87541-KKC2-E00	1				
DATE OF STARTING-SALES							
DATE OF END-SALES							















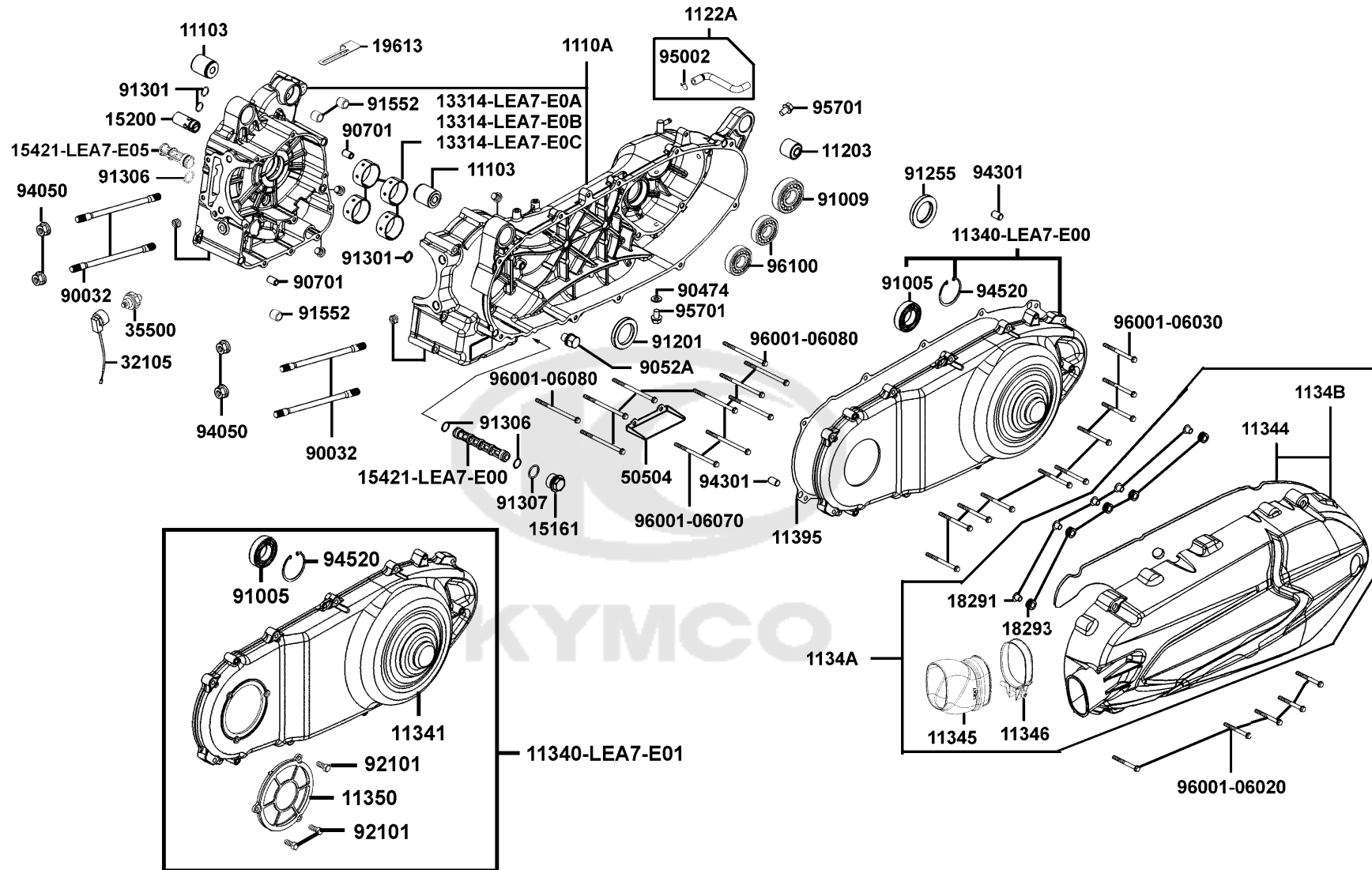




Sales mark	Ref no	Part no	Description	Reg description	Regd no	E01
	11103	11103-KHE7-900	RUB BUSH ENG HANGER	RUB BUSH ENG HANGER	2	
	1110A	1110A-LEA7-E05	CASE R/L ASSY CRANK	CASE R/L ASSY CRANK	1	
	11203	11203-LBA2-E00	RUB BUSH L CASE	RUB BUSH L CASE	1	
	1122A	1122A-LEA7-E00	TUBE ASSY BREATHER	TUBE ASSY BREATHER	1	
	11340-LEA7-E00	11340-LEA7-E00	COVER L SIDE	COVER L SIDE	1	
	11340-LEA7-E01	11340-LEA7-E01	COVER COMP.. L. CRANK CASE	COVER COMP.. L. CRANK CASE	1	
	11341	11341-LEA7-E01	COVER L CRANK CASE	COVER L CRANK CASE	1	
	11344	11344-LEA7-E00	FOAM TEXTURE	FOAM TEXTURE	1	
	11345	11345-LEA7-E00	DUCT L COVER	DUCT L COVER	1	
	11346	11346-GFY6-901	BAND L COVER DUCT	BAND L COVER DUCT	1	
**	1134A	1134A-LEA7-E00	L COVER. COVER COMP	L COVER. COVER COMP	1	
**	1134B	1134B-LEA7-E00	L COVER COVER	L COVER COVER	1	
	11350	11350-LEA7-E00	ELEMENT COMP..L COVER	ELEMENT COMP..L COVER	1	
	11395	11395-LEA7-E00	GASKET L COVER	GASKET L COVER	1	
	13314-LEA7-E0A	13314-LEA7-E0A	BEARING CRANK SHAFT A RED	BEARING CRANK SHAFT A RED (1.995~1.998)	1	
	13314-LEA7-E0B	13314-LEA7-E0B	BEARING CRANK SHAFT A GREEN	BEARING CRANK SHAFT A GREEN	1	
	13314-LEA7-E0C	13314-LEA7-E0C	BEARING CRANK SHAFT A BLACK	BEARING CRANK SHAFT A BLACK	1	
	15161	15161-PUA5-E00	PLUG SCREW SECTION FILTER	PLUG SCREW SECTION FILTER	1	
	15200	15200-KED9-900	OIL RELIEF VALVE ASSY	OIL RELIEF VALVE ASSY	1	
	15421-LEA7-E00	15421-LEA7-E00	SCREEN OIL FILTER	SCREEN OIL FILTER	1	

E01

# Crank Case

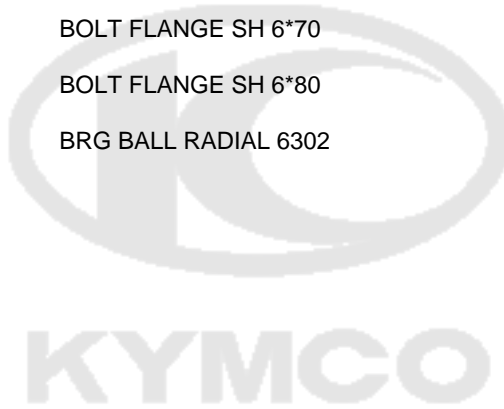


Sales mark	Ref no	Part no	Description	Reg description	Regd no	E01
	15421-LEA7-E05	15421-LEA7-E05	SCREEN OIL FILTER	SCREEN OIL FILTER	1	
	18291	18291-KKC4-900	COLLAR	COLLAR	5	
	18293	18293-KKC4-900	RUBBER	RUBBER	5	
	19613	19613-LEA7-E00	CLAMPER STARTER MOTOR CORD	CLAMPER STARTER MOTOR CORD	1	
	32105	32105-LLJ3-E00	SUB HARNESS	SUB HARNESS	1	
	35500	35500-KED9-900	SW ASSY OIL PRESSURE	SW ASSY OIL PRESSURE	1	
	50504	50504-LEA7-E05	STOPPER PLATE LMAIN STAND	STOPPER PLATE LMAIN STAND	1	
	90032	90032-LEA7-E00	BOLT B STUD 10*180	BOLT B STUD 10*180	4	
	90474	90474-3C33-001	WASHER 8MM	WASHER 8MM	1	
	9052A	9052A-LEB1-900	BOLT ASSY DRAIN PLUG	BOLT ASSY DRAIN PLUG	1	
	90701	90701-9E65-001	PIN DOWEL 10*16	PIN DOWEL 10*16	2	
	91005	91005-LBA7-900	BEARING BALL RADIAL 6005LLU	BEARING BALL RADIAL 6005LLU	1	
	91009	91009-KHE7-900	BRG BALL RADIAL 6205LLU	BRG BALL RADIAL 6205LLU	1	
	91201	91201-LEA7-E00	OIL SEAL 35*50*7	OIL SEAL 35*50*7	1	
	91255	91255-KHE7-900	OIL SEAL 34*52*7	OIL SEAL 34*52*7	1	
	91301	91301-2L00-001	O-RING 10*1.6	O-RING 10*1.6	3	
	91306	91306-PUA5-E00	O-RING 13*1.5	O-RING 13*1.5	2	
	91307	91307-PUA5-E00	O-RING 18*2	O-RING 18*2	1	
	91552	91552-LEA7-E00	COLLAR.10.5MM	COLLAR.10.5MM	3	
	92101	92101-05008-0A	BOLT HEX 5*8	BOLT HEX 5*8	3	

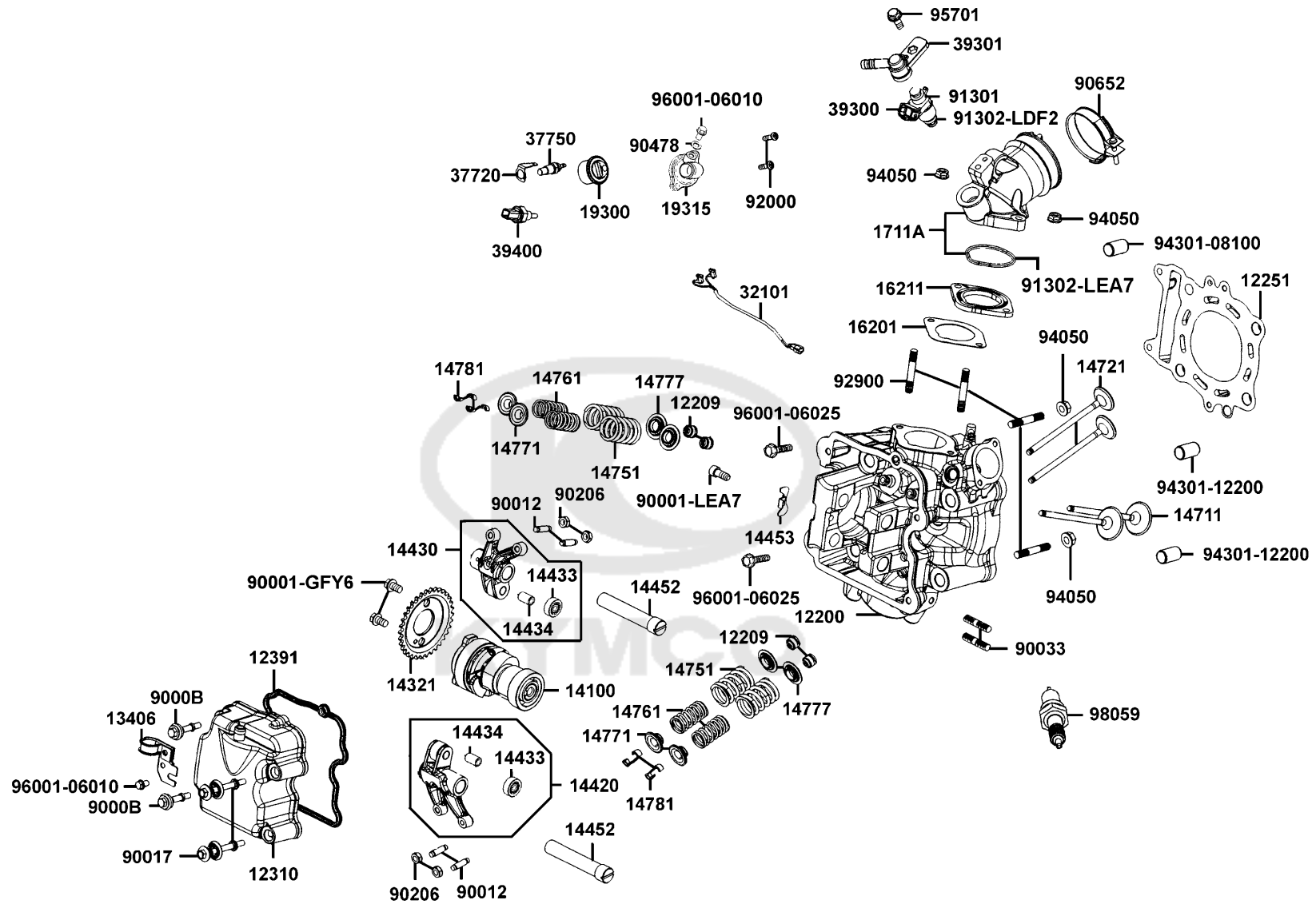




Sales mark	Ref no	Part no	Description	Reg description	Regd no	<b>E01</b>
94050		94050-10060	NUT FLANGE 10MM	NUT FLANGE 10MM	4	
94301		94301-10160	DOWEL PIN 10*16	DOWEL PIN 10*16	2	
94520		94520-47000	CIR CLIP IN 47	CIR CLIP IN 47	1	
95002		95002-50000	CLIP C9 TUBE	CLIP C9 TUBE	1	
95701		95701-08012-08	BOLT FLANGE 8X12	BOLT FLANGE 8X12	2	
96001-06020		96001-06020-06	BOLT FLANGE SH 6*20	BOLT FLANGE SH 6*20	5	
96001-06030		96001-06030-08	BOLT FLANGE SH 6*30	BOLT FLANGE SH 6*30	10	
96001-06070		96001-06070-08	BOLT FLANGE SH 6*70	BOLT FLANGE SH 6*70	6	
96001-06080		96001-06080-08	BOLT FLANGE SH 6*80	BOLT FLANGE SH 6*80	2	
96100		96100-63020-00	BRG BALL RADIAL 6302	BRG BALL RADIAL 6302	2	

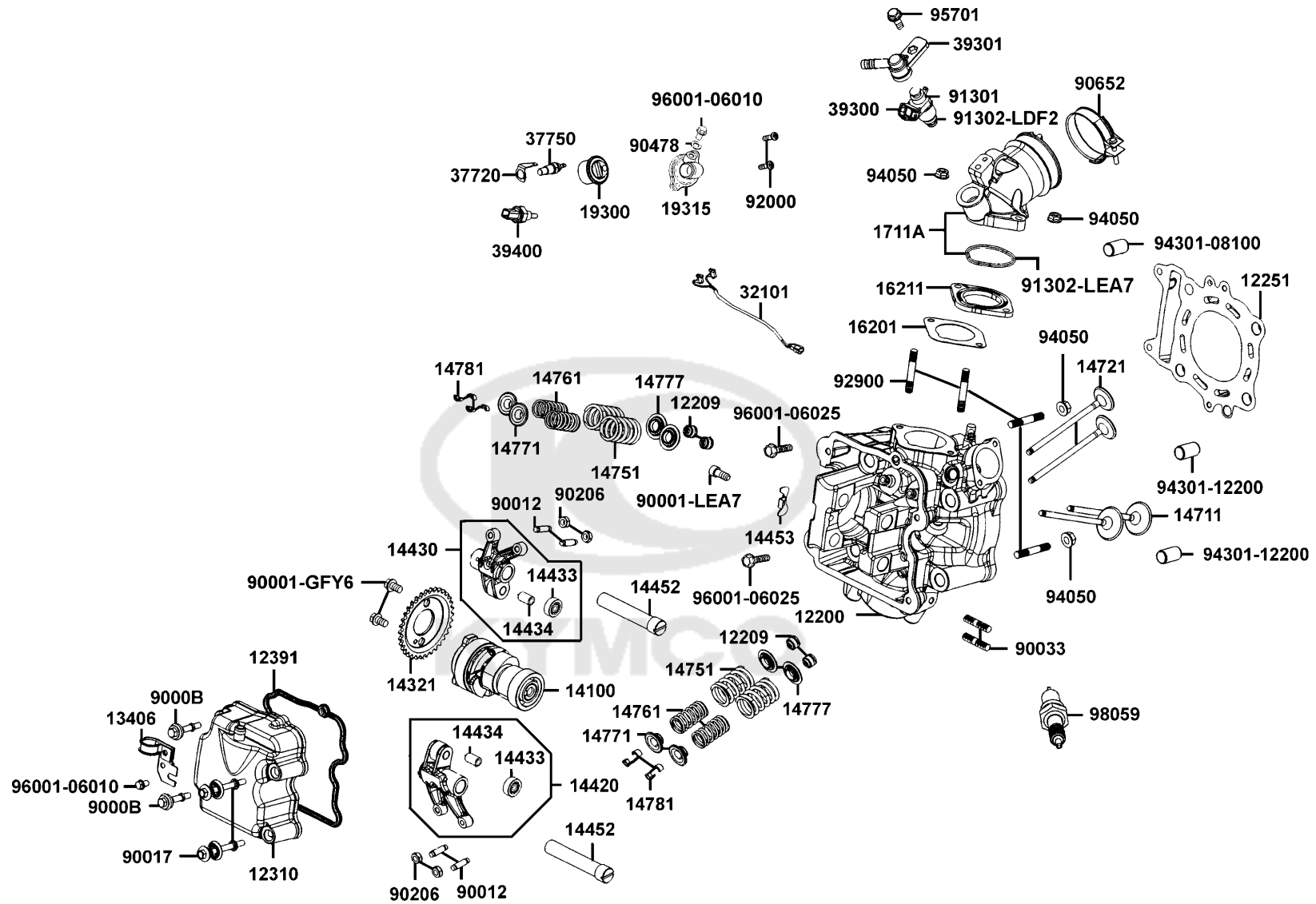


# Cylinder Head Cover Cylinder Head



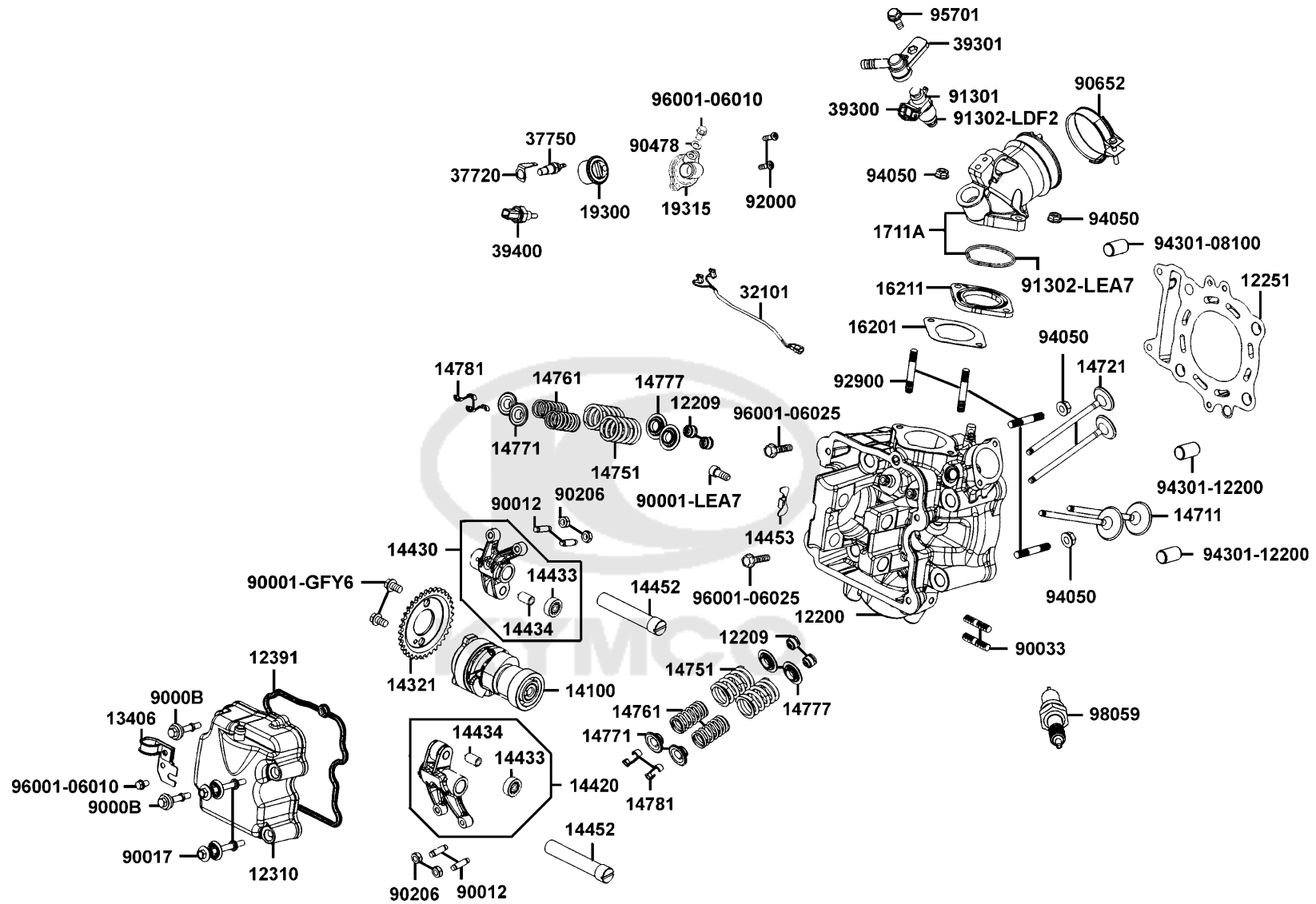
Sales mark	Ref no	Part no	Description	Reg description	Regd no	<b>E02</b>
12200		12200-LEA7-E00	HEAD COMP.?CYL N	HEAD COMP.?CYL N	1	
12209		12209-GDB4-68A	SEAL VALVE STEM	SEAL VALVE STEM	4	
12251		12251-LEA7-E00	GASKET CLINDER HEAD	GASKET CLINDER HEAD	1	
12310		12310-LEA7-E00	COVER COMP. CYL N HEAD	COVER COMP. CYL N HEAD	1	
12391		12391-LEA7-E00	GASKET HEAD COVER	GASKET HEAD COVER	1	
13406		13406-LEA7-E00	PLATE FUEL INJECTOR	PLATE FUEL INJECTOR	1	
14100		14100-LEA7-E00	SHAFT COMP CAM	SHAFT COMP CAM	1	
14321		14321-LEA7-E00	SPROCKET CAMSHAFT	SPROCKET CAMSHAFT	1	
14420		14420-LEA7-E00	ARM COMP EXH VALVE ROCKER	ARM COMP EXH VALVE ROCKER	1	
14430		14430-LEA7-E00	ARM COMP IN VALVE ROCKER	ARM COMP IN VALVE ROCKER	1	
14433		14433-PTA1-900	ROCKER ASSY ROCKER ARM	ROCKER ASSY ROCKER ARM	2	
14434		14434-PTA1-900	PIN ROCKER ARM	PIN ROCKER ARM	2	
14452		14452-LEA7-E00	SHAFT EX ROCKER ARM	SHAFT EX ROCKER ARM	2	
14453		14453-LEA7-E00	SET PLATE ROCKER ARM SHAFT	SET PLATE ROCKER ARM SHAFT	1	
14711		14711-LEA7-E00	VALVA INLET	VALVA INLET	2	
14721		14721-LEA7-E00	VALVE EXHAUST	VALVE EXHAUST	2	
14751		14751-LEA7-E00	SPRING VALVE OUTER	SPRING VALVE OUTER	4	
14761		14761-LEA7-E00	SPRING VALVE INNER	SPRING VALVE INNER	4	
14771		14771-GDB4-680	RETAINER VALVE SPRING	RETAINER VALVE SPRING	4	
14777		14777-LBA2-E00	SEAT VALVE SPG	SEAT VALVE SPG	4	

# Cylinder Head Cover Cylinder Head



Sales mark	Ref no	Part no	Description	Reg description	Regd no	<b>E02</b>
14781		14781-MFA6-001	COTTER VALVE	COTTER VALVE	8	
16201		16201-LEA7-E00	GASKET CARB INSULATOR @A	GASKET CARB INSULATOR @A	1	
16211		16211-LEA7-E00	INSULATOR CARB	INSULATOR CARB	1	
1711A		1711A-LEA7-E05	PIPE ASSY INLET	PIPE ASSY INLET	1	
19300		19300-LFA7-E0A	THERNOSTAT ASSY	THERNOSTAT ASSY	1	
19315		19315-LFA7-E00	COVER COMP THERMOSTAT	COVER COMP THERMOSTAT	1	
32101		32101-LEA7-E00	SUB HARNESS THERMO UNIT	SUB HARNESS THERMO UNIT	1	
37720		37720-KGB5-900	EARTH TERMINAL THERMO	EARTH TERMINAL THERMO	1	
37750		37750-PAC1-005	THERMO UNIT ASSY	THERMO UNIT ASSY	1	
39300		39300-LDF2-M90	INJECTOR UNIT FUEL	INJECTOR UNIT FUEL	1	
39301		39301-LDF2-M90	INJECTOR	INJECTOR	1	
39400		39400-LDF2-800	WATER TEMP SENSOR	WATER TEMP SENSOR	1	
90001-GFY6		90001-GFY6-901	SOCKET BOLT 6*10	SOCKET BOLT 6*10	1	
90001-LEA7		90001-LEA7-E00	SOCKET BOLT 6*14 (G)+??	SOCKET BOLT 6*14 (G)+??	1	
9000B		9000B-KHD6-900	BOLT ASSY SPECIAL 6*41.5	BOLT ASSY SPECIAL 6*41.5	2	
90012		90012-3C33-001	SCREW TAPPET ADJUSTING	SCREW TAPPET ADJUSTING	4	
90017		90017-KKE5-E00	BOLT ASSY HEAD COVER	BOLT ASSY HEAD COVER	2	
90033		90033-KGB4-C00	BOLT STUD 8*40	BOLT STUD 8*40	2	
90206		90206-0A01-001	NUT TAPPET ADJG	NUT TAPPET ADJG	4	
90478		90478-7L00-001	WASHER A 6MM	WASHER A 6MM	1	

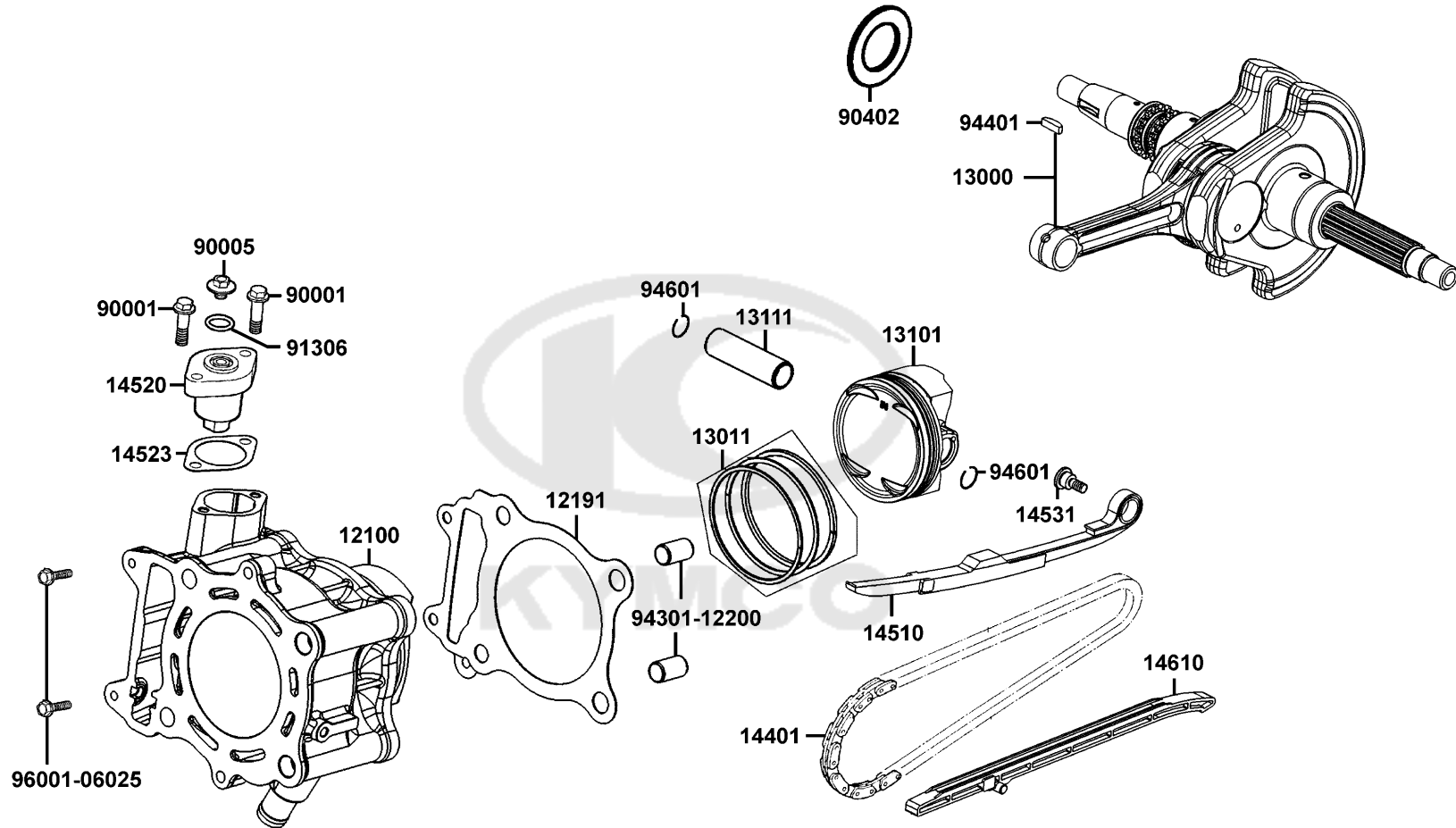
# Cylinder Head Cover Cylinder Head



Sales mark	Ref no	Part no	Description	Reg description	Regd no	<b>E02</b>
90652		90652-LDG7-900	C-HOPE 10-59	C-HOPE 10-59	1	
91301		91301-LDF2-M90	O-RING 7.3*2.2	O-RING 7.3*2.2	1	
91302-LDF2		91302-LDF2-M90	SEAL RING	SEAL RING	1	
91302-LEA7		91302-LEA7-E00	O-RING	O-RING	1	
92000		92000-05016-0H	BOLT HEX 5*16	BOLT HEX 5*16	2	
92900		92900-06040-0E	BOLT STUD 6*40	BOLT STUD 6*40	4	
94050		94050-06080	NUT FLANGE 6MM	NUT FLANGE 6MM	4	
94301-08100		94301-08100	DOWEL PIN 8*10	DOWEL PIN 8*10	1	
94301-12200		94301-12200	DOWEL SLEEVE 12X20	DOWEL SLEEVE 12X20	2	
95701		95701-06016-08	BOLT FLANGER 6*12	BOLT FLANGER 6*12	1	
96001-06010		96001-06010-06	BOLT FLANGE SH 6*10	BOLT FLANGE SH 6*10	3	
96001-06025		96001-06025-06	BOLT FLANGE SH 6*25	BOLT FLANGE SH 6*25	2	
98059		98059-57916-00	SPARK PLUG CR7E	SPARK PLUG CR7E	1	

E03

# Cylinder Piston Crankshaft

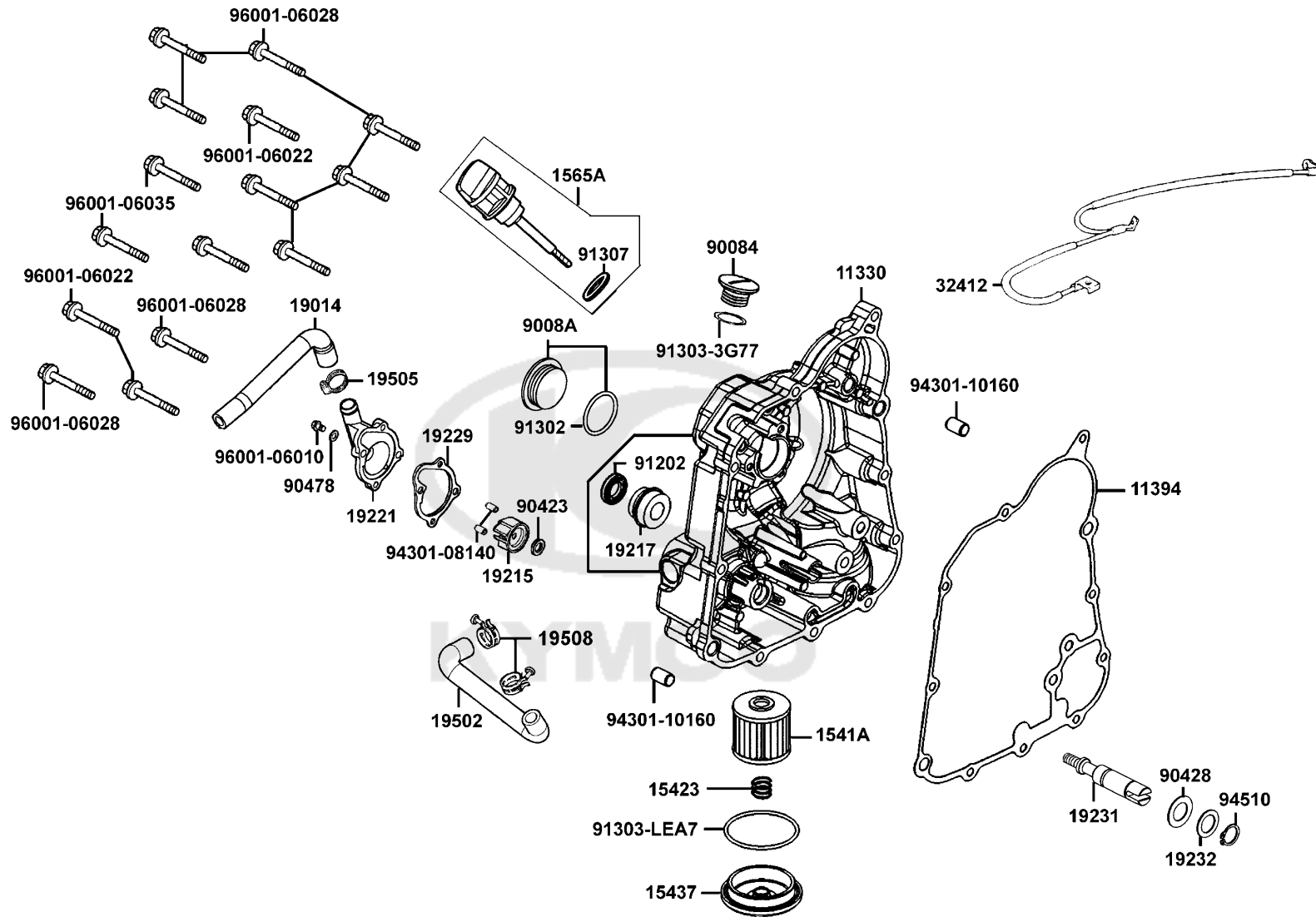




Sales mark	Ref no	Part no	Description	Reg description	Regd no	E03
	12100	12100-LEA7-E00	CYLINDER COMP.	CYLINDER COMP.	1	
	12191	12191-LEA7-E00	GASKET CYLINDER	GASKET CYLINDER	1	
	13000	13000-LEA7-E00	CRANK SHAFT COMP	CRANK SHAFT COMP	1	
	13011	13011-LEA7-E00	RING SET PISTON	RING SET PISTON	1	
	13101	13101-LEA7-E00	PISTON	PISTON	1	
	13111	13111-LEA7-E00	PIN PISTON	PIN PISTON	1	
	14401	14401-PWB1-900	CHAIN CAM	CHAIN CAM	1	
	14510	14510-LEA7-E00	TENSIONER CAM CHAIN	TENSIONER CAM CHAIN	1	
	14520	14520-KED9-900	LIFTER ASSY TENSIONER	LIFTER ASSY TENSIONER	1	
	14523	14523-GFY6-901	GASKET TENSIONER LIFTER @A	GASKET TENSIONER LIFTER @A	1	
	14531	14531-KHE7-900	PIVOT CAM CHAIN TENSIONER	PIVOT CAM CHAIN TENSIONER	1	
	14610	14610-LEA7-E00	GUIDE COMP CAM CHAIN	GUIDE COMP CAM CHAIN	1	
	90001	90001-GBHB-661	BOLT FLANGE SH 6*22	BOLT FLANGE SH 6*22	2	
	90005	90005-KEC8-900	BOLT SPECIAL 6*6	BOLT SPECIAL 6*6	1	
	90402	90402-LEA7-E00	THRUST WASHER 36X60X3	THRUST WASHER 36X60X3	1	
	91306	91306-1E05-691	O-RING 1.5*9.5	O-RING 1.5*9.5	1	
	94301-12200	94301-12200	DOWEL SLEEVE 12X20	DOWEL SLEEVE 12X20	2	
	94401	94401-25140	WOODRUFF KET 25*14	WOODRUFF KET 25*14	1	
	94601	94601-17000	CLIP PISTON PIN 17MM	CLIP PISTON PIN 17MM	2	
	96001-06025	96001-06025-06	BOLT FLANGE SH 6*25	BOLT FLANGE SH 6*25	2	

E04

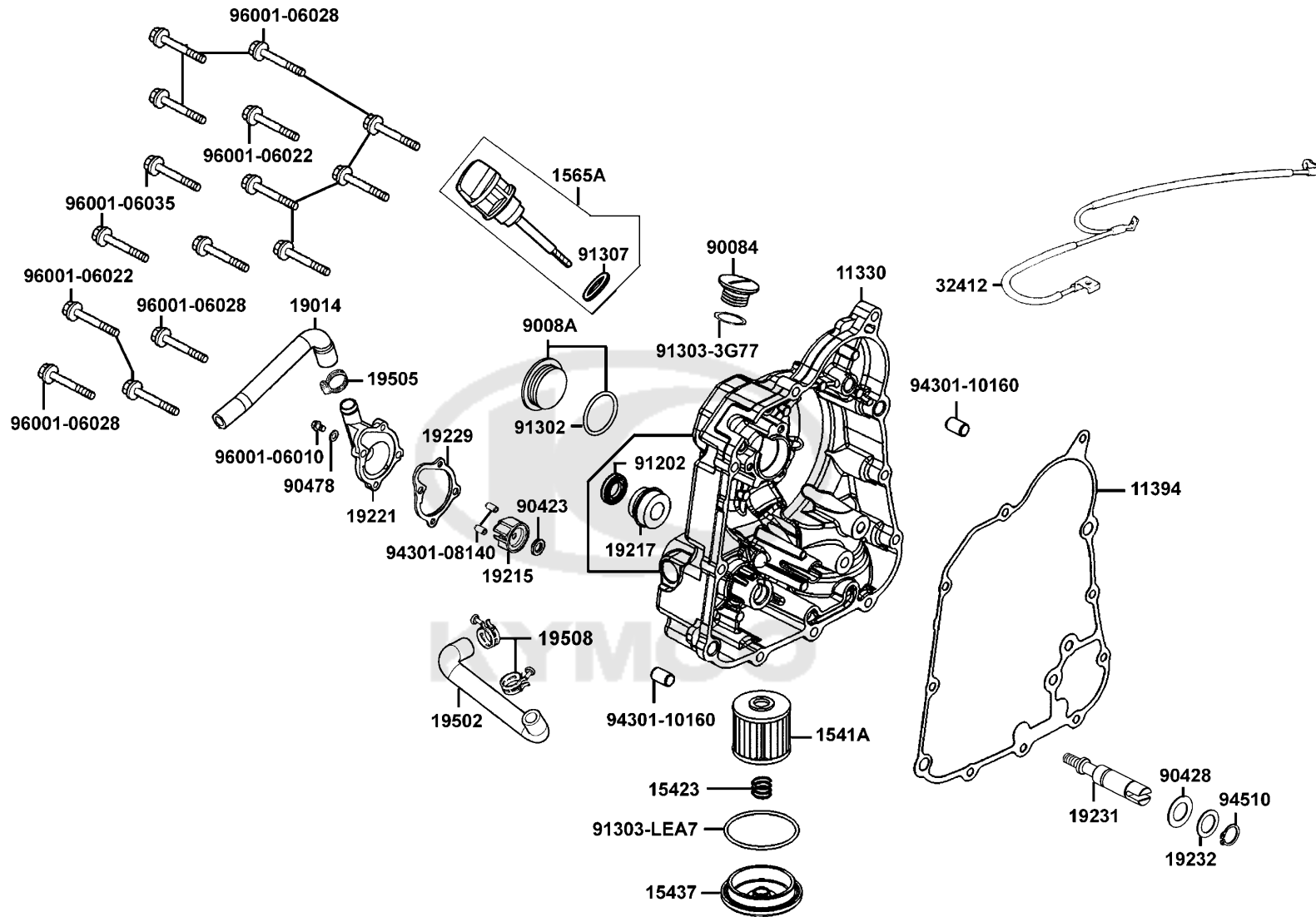
# Right Crankcase Cover Water Pump



Sales mark	Ref no	Part no	Description	Reg description	Regd no	<b>E04</b>
**	11330	11330-LEA7-E00	COVER COMP RIGHT CRANK CASE	COVER COMP RIGHT CRANK CASE	1	
	11394	11394-LEA7-E00	GASKET,R. COVER	GASKET,R. COVER	1	
	1541A	1541A-LEA7-E00	ELEMENT ASSY., OIL FILTER	ELEMENT ASSY., OIL FILTER	1	
	15423	15423-KKC3-900	SPRING CAP OIL	SPRING CAP OIL	1	
	15437	15437-LEA7-E00	CAP OIL FILTER	CAP OIL FILTER	1	
	1565A	1565A-LGF9-E00	GUIDE OIL LEVEL ASSY	GUIDE OIL LEVEL ASSY	1	
	19014	19014-LEA7-E00	HOSE,WATER OUTLET	HOSE,WATER OUTLET	1	
	19215	19215-LEA7-E00	IMPELLER WATER PUMP	IMPELLER WATER PUMP	1	
	19217	19217-6G57-024	SEAL MECHANICAL	SEAL MECHANICAL	1	
**	19221	19221-LGE5-E00	COVER WATER PUMP	COVER WATER PUMP	1	
	19229	19229-LEA7-E00	GASKET WATER PUMP	GASKET WATER PUMP	1	
	19231	19231-LEA7-E00	SHAFT WATER PUMP	SHAFT WATER PUMP	1	
	19232	19232-LBA2-E00	WASHER 21*13.8*1.5	WASHER 21*13.8*1.5	1	
	19502	19502-LEA7-E00	HOSE B WATER	HOSE B WATER	1	
	19505	19505-LBA2-E00	CLAMP WATER HOSE	CLAMP WATER HOSE	1	
	19508	19508-LBA2-E00	CLAMP D23	CLAMP D23	2	
	32412	32412-LEA7-E00	CABLE EARTH	CABLE EARTH	1	
**	90084	90084-KKF9-901	CAP AC GENERATOR	CAP AC GENERATOR	1	
	9008A	9008A-KBE2-900	CAP ASSY 30MM	CAP ASSY 30MM	1	
	90423	90423-KKJ9-001	WASHER 7.2*13*1.2	WASHER 7.2*13*1.2	1	

E04

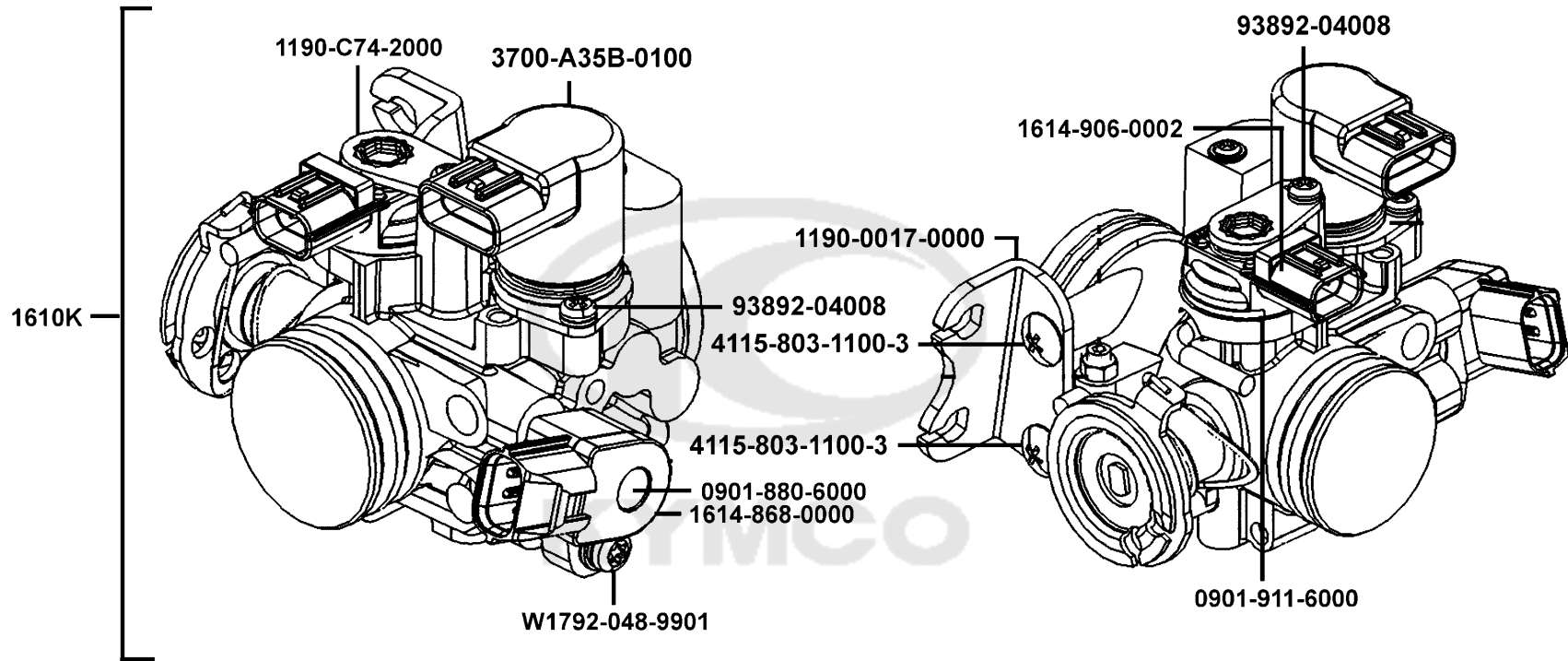
# Right Crankcase Cover Water Pump



Sales mark	Ref no	Part no	Description	Reg description	Regd no	<b>E04</b>
90428		90428-9H58-001	WASHER THRUST 14MM	WASHER THRUST 14MM	1	
90478		90478-7L00-001	WASHER A 6MM	WASHER A 6MM	1	
91202		91202-KGB4-C00	OIL SEAL 13.7*24*5	OIL SEAL 13.7*24*5	1	
91302		91302-5G67-004	O-RING 27.4*2.4	O-RING 27.4*2.4	1	
91303-3G77		91303-3G77-001	O-RING 13.8*2.5	O-RING 13.8*2.5	1	
91303-LEA7		91303-LEA7-E00	O-RING 52.5x2.5	O-RING 52.5x2.5	1	
91307		91307-0E35-001	O RING 18*3	O RING 18*3	1	
94301-08140		94301-08140	PIN A DOWEL 8*14	PIN A DOWEL 8*14	2	
94301-10160		94301-10160	DOWEL PIN 10*16	DOWEL PIN 10*16	2	
94510		94510-14000	CIR CLIP EXTERNAL 14	CIR CLIP EXTERNAL 14	1	
96001-06010		96001-06010-00	BOLT FLANGE SH 6X10	BOLT FLANGE SH 6X10	1	
96001-06022		96001-06022-08	BOLT FLANGE SH 6*22	BOLT FLANGE SH 6*22	3	
96001-06028		96001-06028-08	BOLT FLANGE SH 6*28	BOLT FLANGE SH 6*28	10	
96001-06035		96001-06035-08	BOLT FLANGE 6*35	BOLT FLANGE 6*35	2	

E05

Throttle Body Assy

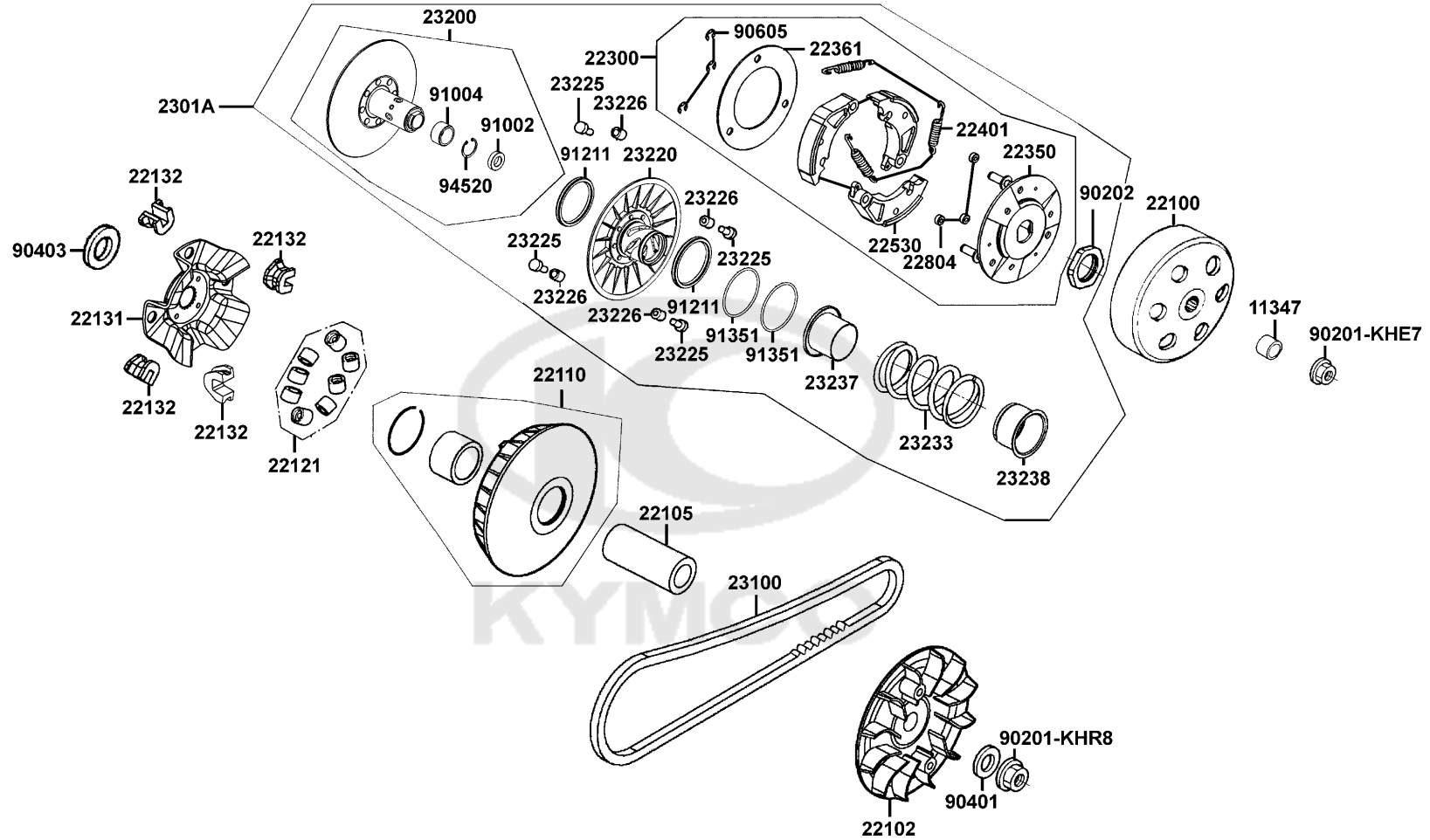


Sales mark	Ref no	Part no	Description	Reg description	Regd no	<b>E05</b>
	0901-880-6000	0901-880-6000	O-RING/TPS	O-RING/TPS	1	
	0901-911-6000	0901-911-6000	O-RING	O-RING	1	
	1190-0017-0000	1190-0017-0000	BRACKET/THROTTLE CABLE	BRACKET/THROTTLE CABLE	1	
	1190-C74-2000	1190-C74-2000	STAY PLATE	STAY PLATE	1	
	1610K	1610K-LEA7-E00	THROTTLE BODY ASSY	THROTTLE BODY ASSY	1	
	1614-868-0000	1614-868-0000	THROTTLE POSITION SENSER	THROTTLE POSITION SENSER	1	
	1614-906-0002	1614-906-0002	MAP SENSOR	MAP SENSOR	1	
	3700-A35B-0100	3700-A35B-0100	ISC VALVE	ISC VALVE	1	
	4115-803-1100-3	4115-803-1100-3	"SCREW ,PAN"	"SCREW ,PAN"	2	
	93892-04008	93892-04008-18	SCREW WASHER 4*8	SCREW WASHER 4*8	2	
	W1792-048-9901	W1792-048-9901	SCREW TORX M5*0.8/TPS	SCREW TORX M5*0.8/TPS	1	



E06

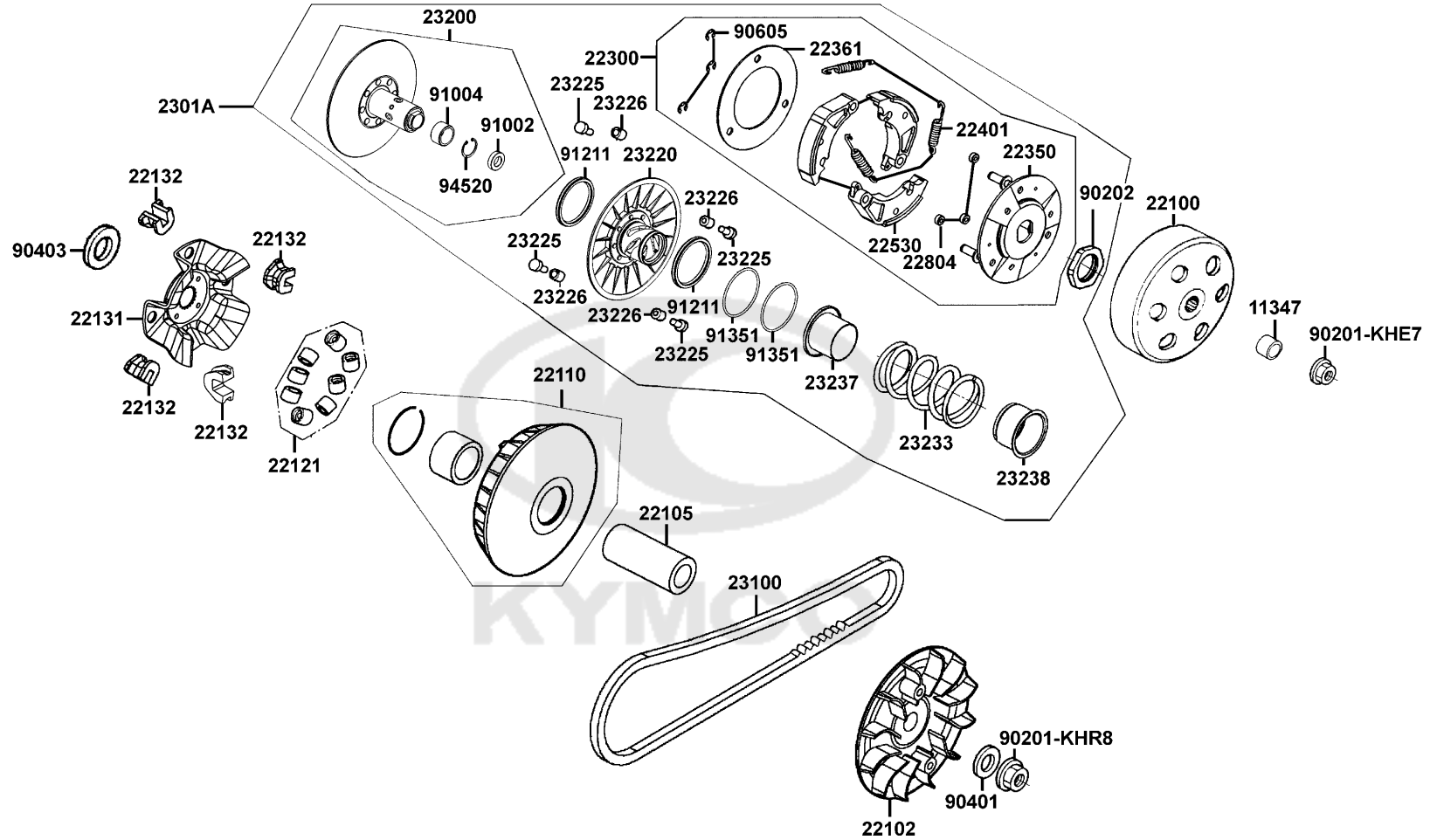
# Drive Pulley





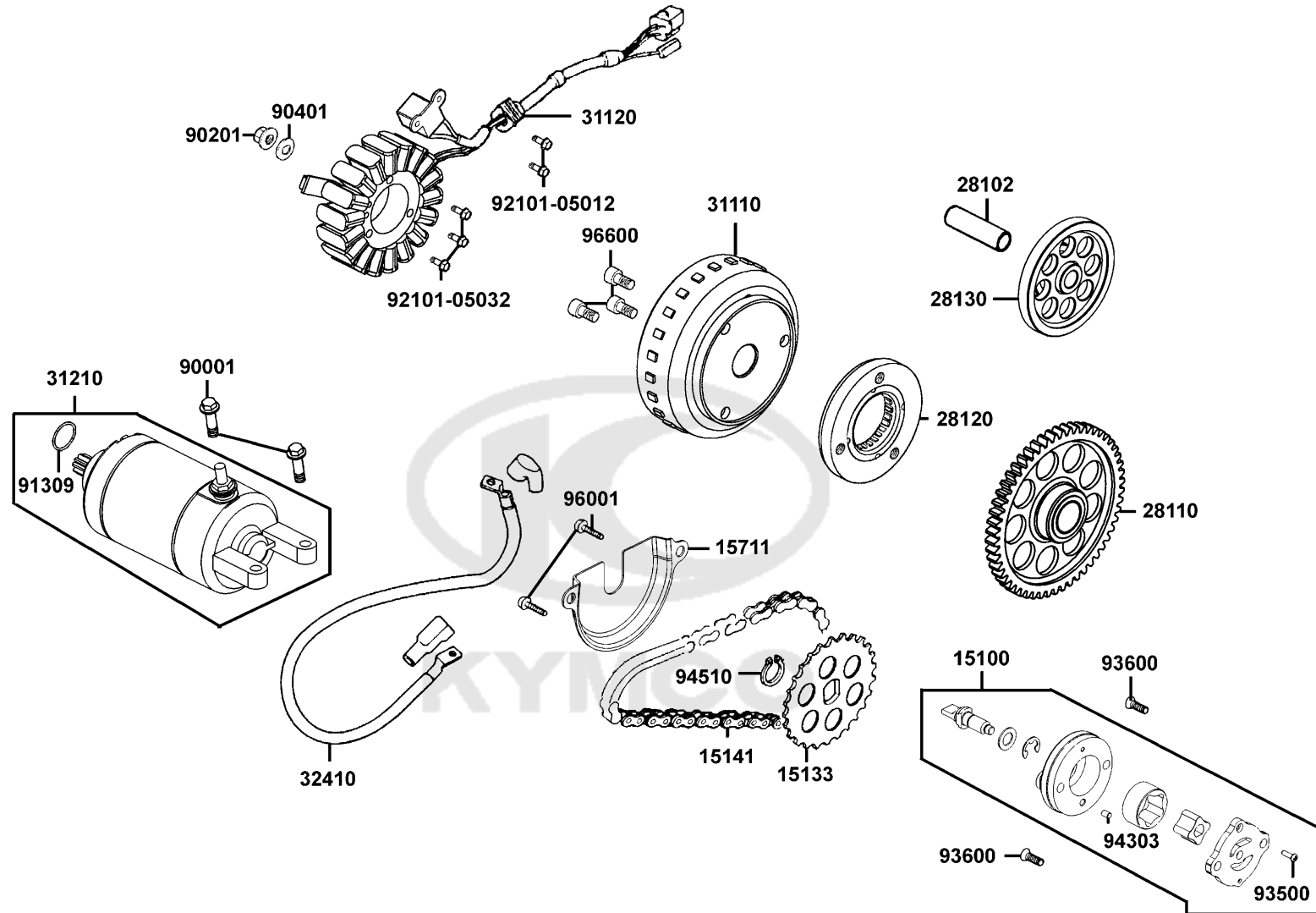
Sales mark	Ref no	Part no	Description	Reg description	Regd no	<b>E06</b>
	11347	11347-LEA7-E00	BOSS DRIVE SHAFT	BOSS DRIVE SHAFT	1	
	22100	22100-LEA7-E00	OUTER COMP CLUTCH	OUTER COMP CLUTCH	1	
	22102	22102-LEA7-E00	FACE DRIVE	FACE DRIVE	1	
	22105	22105-LGF9-E00	BOSS DRIVE FACE	BOSS DRIVE FACE	1	
	22110	22110-LGE5-E00	FACE COMP MOVABLE DRIVE	FACE COMP MOVABLE DRIVE	1	
	22121	22121-LEA7-E00	ROLLER COMP WEIGHT	ROLLER COMP WEIGHT	8	
	22131	22131-LGE5-E00	PLATE RAMP	PLATE RAMP	1	
	22132	22132-PWB1-900	PIECE SLIDE	PIECE SLIDE	4	
	22300	22300-LGE5-E00	PLATE ASSY DRIVE	PLATE ASSY DRIVE	1	
	22350	22350-KHE7-900	PLATE COMP DRIVE	PLATE COMP DRIVE	1	
	22361	22361-LEA7-E00	PLATE CLUTCH SIDE	PLATE CLUTCH SIDE	1	
	22401	22401-KHE7-900	SPRING CLUTCH	SPRING CLUTCH	3	
	22530	22530-LGE5-E00	WEIGHT CLUTCH	WEIGHT CLUTCH	3	
	22804	22804-GBB2-001	RUBBER CLUTCH DUMRER	RUBBER CLUTCH DUMRER	3	
	2301A	2301A-LGE5-E00	PULLEY SUB. ASSY	PULLEY SUB. ASSY	1	
	23100	23100-LEA7-E01	BELT DRIVE (N-5U)	BELT DRIVE (N-5U)	1	
	23200	23200-LGE5-E00	FACE ASSY DRIVEN	FACE ASSY DRIVEN	1	
	23220	23220-LGE5-E00	FACE COMP MOVABLE DRIVEN	FACE COMP MOVABLE DRIVEN	1	
	23225	23225-LEA7-E00	PIN. ROLLER GUIDE	PIN. ROLLER GUIDE	4	
	23226	23226-LEA7-E00	ROLLER GUIDE	ROLLER GUIDE	4	

Drive Pulley



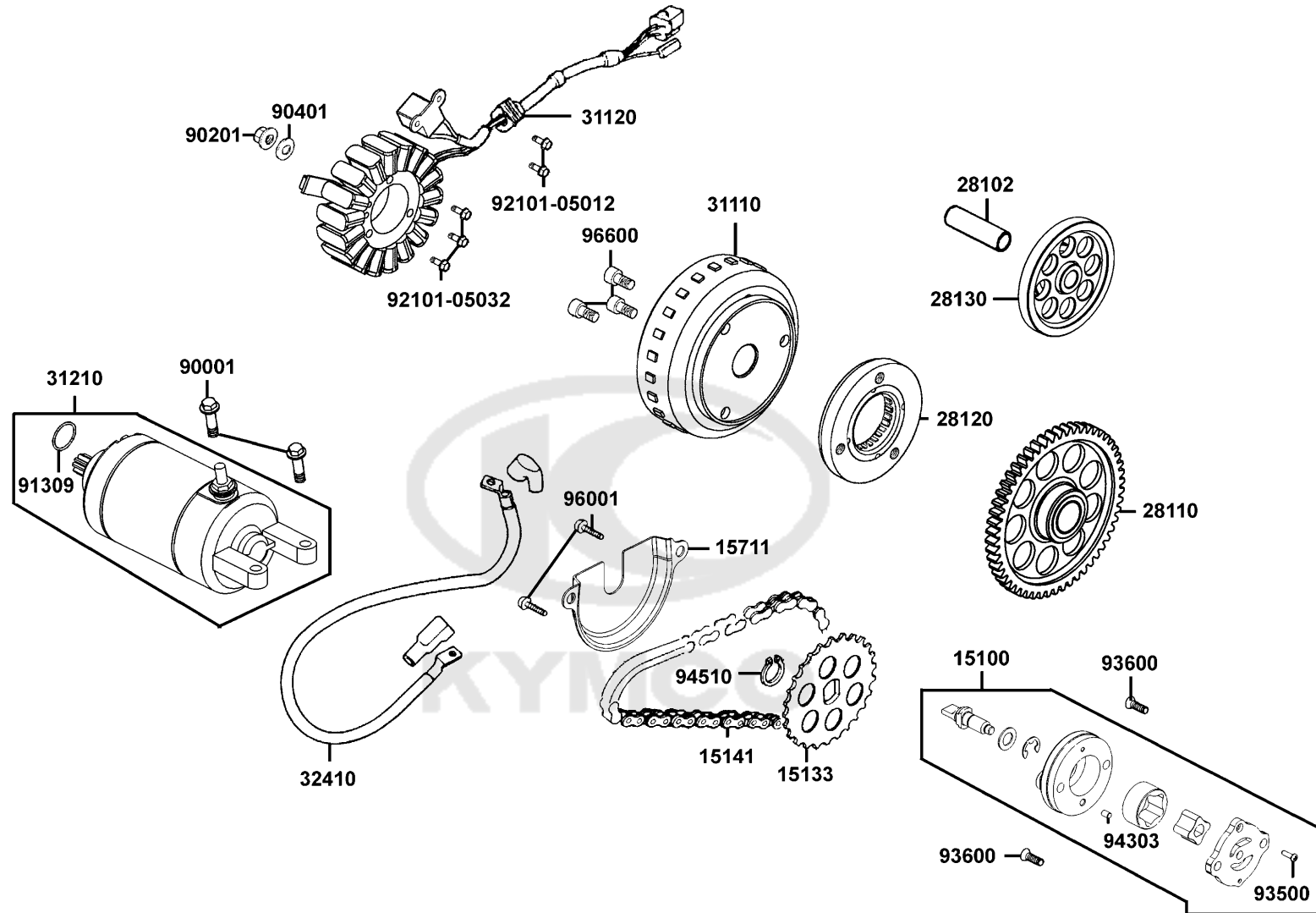
Sales mark	Ref no	Part no	Description	Reg description	Regd no	<b>E06</b>
23233		23233-LEA7-E00	SPG.DRIVEN FACE	SPG.DRIVEN FACE	1	
23237		23237-KHE7-900	COLLAR SEAL	COLLAR SEAL	1	
23238		23238-KHE7-900	COLLAR SPG	COLLAR SPG	1	
90201-KHE7		90201-KHE7-900	NUT C FLANGE M12	NUT C FLANGE M12	1	
90201-KHR8		90201-KHR8-75A	NUT FLANGE 14MM	NUT FLANGE 14MM	1	
90202		90202-LEA7-E00	NUT SPECIAL 28mm	NUT SPECIAL 28mm	1	
90401		90401-LEA7-E00	WASHER THRUST 14*28*2	WASHER THRUST 14*28*2	1	
90403		90403-LEA7-E00	THRUST WASHER 20.2X35X2.35	THRUST WASHER 20.2X35X2.35	1	
90605		90605-1F66-721	CIR CLIP 7MM	CIR CLIP 7MM	3	
91002		91002-GGA7-70A	BRG BALL RADIAL 6902U 15*28*7	BRG BALL RADIAL 6902U 15*28*7	1	
91004		91004-LEA7-E00	BRG.NEEDLE 25X32X14	BRG.NEEDLE 25X32X14	1	
91211		91211-KHE7-900	SEAL DRIVEN FACE	SEAL DRIVEN FACE	2	
91351		91351-KHE7-900	O-RING PINION CAP	O-RING PINION CAP	2	
94520		94520-28000	CIR CLIP IN 28MM	CIR CLIP IN 28MM	1	


Starting Motor Generator

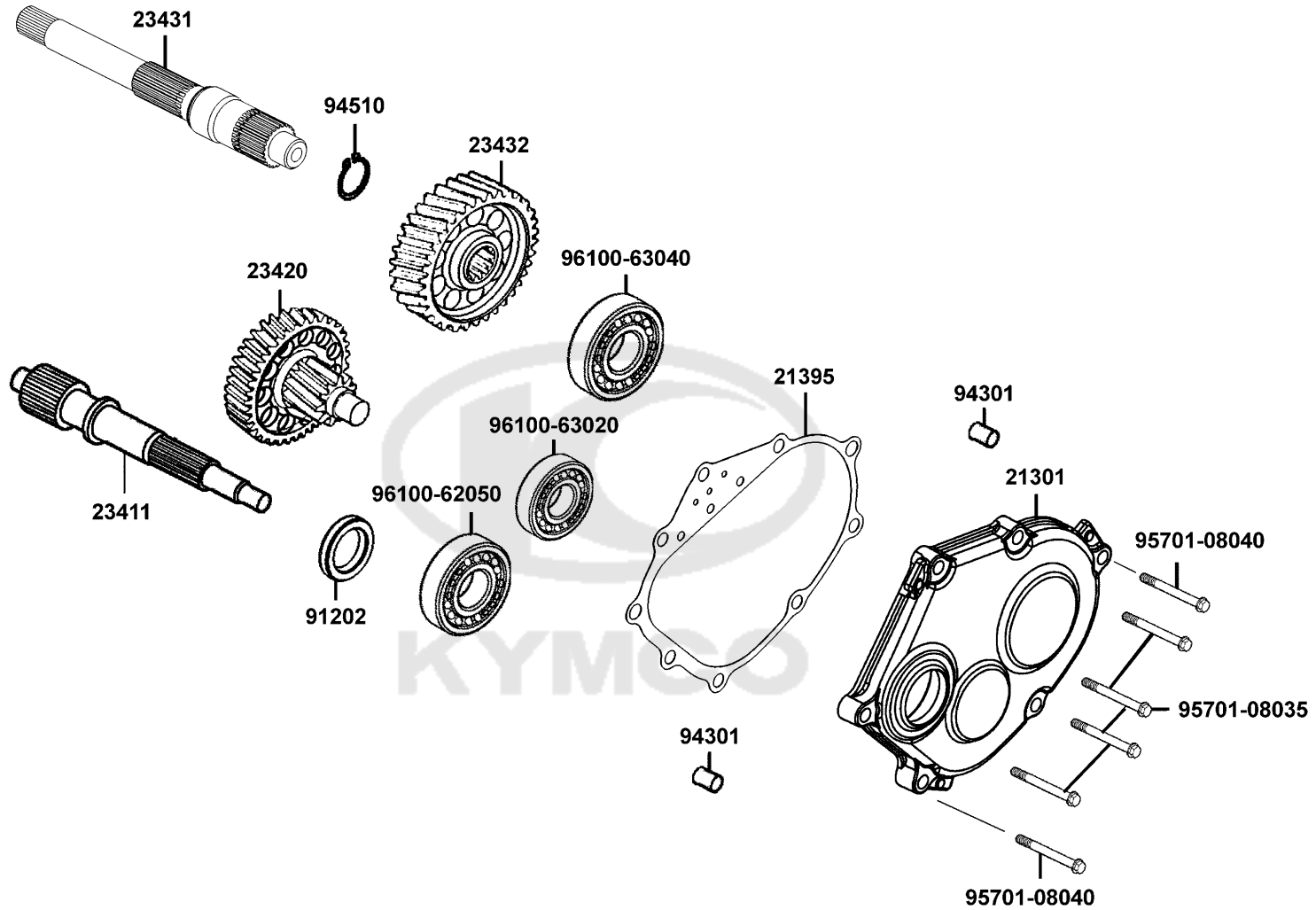


Sales mark	Ref no	Part no	Description	Reg description	Regd no	E07
	15100	15100-LEA7-E00	PUMP ASSY.. OIL	PUMP ASSY.. OIL	1	
	15133	15133-LGF9-E00	SPROCKET OIL PUMP	SPROCKET OIL PUMP	1	
	15141	15141-LGF9-E00	CHAIN OIL PUMP	CHAIN OIL PUMP	1	
	15711	15711-LEA7-E00	SEPARATOR OIL	SEPARATOR OIL	1	
	28102	28102-LEA7-E00	SHAFT STARTER REDUCTION	SHAFT STARTER REDUCTION	1	
	28110	28110-LEA7-E00	GEAR COMP STARTING CLUTCH	GEAR COMP STARTING CLUTCH	1	
	28120	28120-LDB2-E00	ONE WAY CLUTCH	ONE WAY CLUTCH	1	
	28130	28130-LEA7-E00	GEAR STARTER REDUCTION	GEAR STARTER REDUCTION	1	
	31110	31110-LEA7-E0B	FLYWHEEL COMP /D402	FLYWHEEL COMP /D402	1	
	31120	31120-LEA7-E0B	STATOR COMP /D402	STATOR COMP /D402	1	
	31210	31210-LEA7-E00	MOTOR UNIT..STARTER	MOTOR UNIT..STARTER	1	
	32410	32410-LEA7-E00	CABLE START MOTOR	CABLE START MOTOR	1	
	90001	90001-GBHB-661	BOLT FLANGE SH 6*22	BOLT FLANGE SH 6*22	2	
	90201	90201-KHR8-75A	NUT FLANGE 14MM	NUT FLANGE 14MM	1	
	90401	90401-KKJ9-001	WASHER THRUST 14*28*2	WASHER THRUST 14*28*2	1	
	91309	91309-4E25-004	O-RING 24.4*3.1	O-RING 24.4*3.1	1	
	92101-05012	92101-05012-0H	BOLT HEX 5*12	BOLT HEX 5*12	2	
	92101-05032	92101-05032-0H	BOLT HEX 5*32	BOLT HEX 5*32	3	
	93500	93500-03010-1A	SCREW PAN 3*12	SCREW PAN 3*12	1	
	93600	93600-06032-0H	SCREW. FLAT. 6x32	SCREW. FLAT. 6x32	2	

Starting Motor Generator



Sales mark	Ref no	Part no	Description	Reg description	Regd no	<b>E07</b>
94303		94303-04065	PIN C DOWEL 4*6.5	PIN C DOWEL 4*6.5	1	
94510		94510-10000	CIR EXTERNAL 10MM	CIR EXTERNAL 10MM	1	
96001		96001-06012-08	BOLT FLANGE SH 6*12	BOLT FLANGE SH 6*12	2	
96600		96600-08015-10	BOLT SOCKET 8*15	BOLT SOCKET 8*15	3	
						

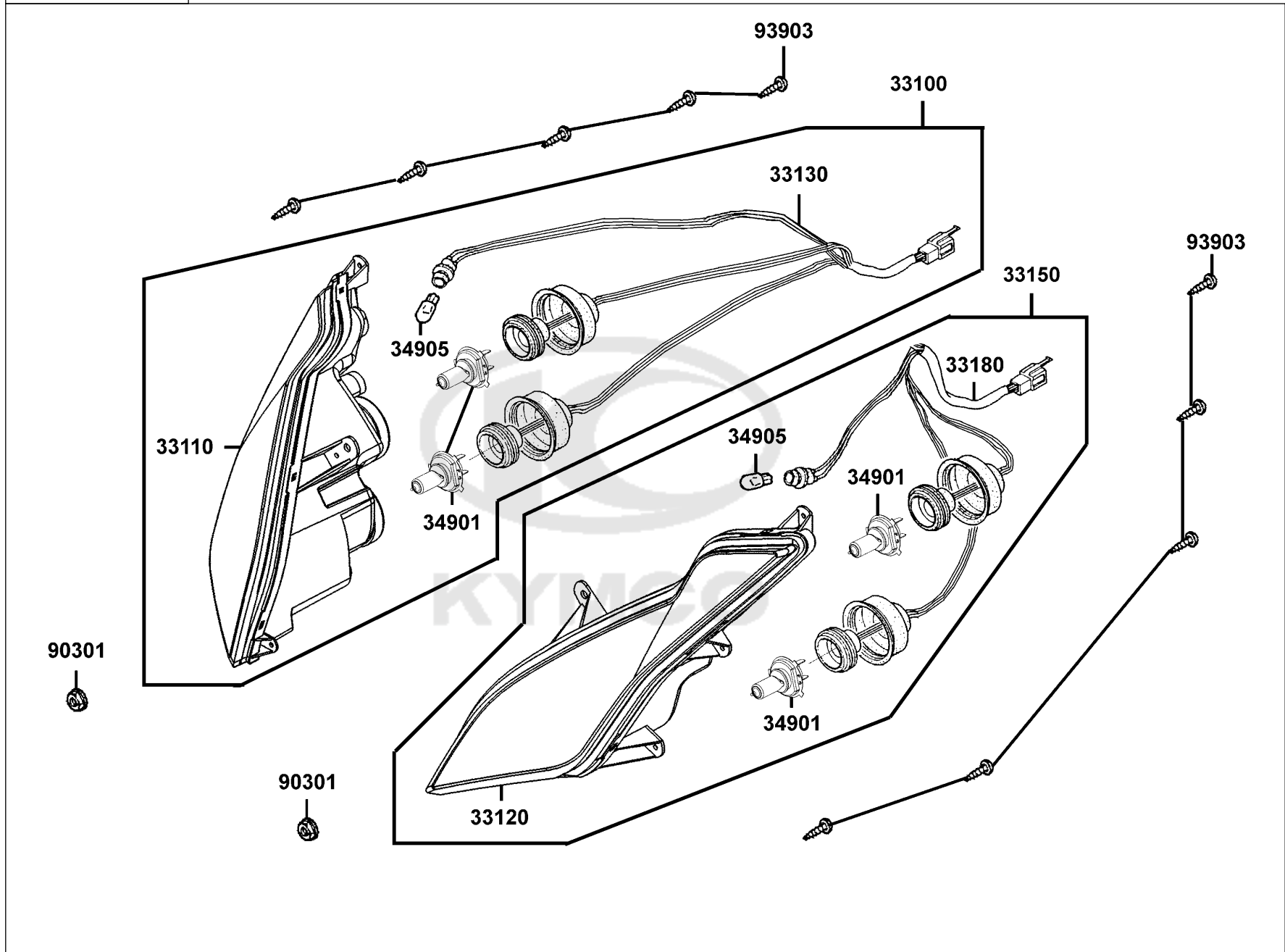




Sales mark	Ref no	Part no	Description	Reg description	Regd no	<b>E08</b>
21301		21301-LEA7-E00	COVER MISSION	COVER MISSION	1	
21395		21395-LEA7-E00	GASKET MISSION COVER	GASKET MISSION COVER	1	
23411		23411-LEA7-E00	SHAFT.DRIVE	SHAFT.DRIVE	1	
23420		23420-LEA7-E00	SHAFT COMP COUNTER	SHAFT COMP COUNTER	1	
23431		23431-LEA7-E00	SHAFT FINAL	SHAFT FINAL	1	
23432		23432-LEA7-E00	GEAR FINAL	GEAR FINAL	1	
91202		91202-LEA7-E00	OIL SEAL 25*35*6	OIL SEAL 25*35*6	1	
91202		91202-LEA7-E0A	OIL SEAL 25*35*6	OIL SEAL 25*35*6	1	
94301		94301-10160	DOWEL PIN 10*16	DOWEL PIN 10*16	2	
94510		94510-25000	CIR CLIP EX 25	CIR CLIP EX 25	1	
95701-08035		95701-08035-08	BOLT FLANGE 8*35	BOLT FLANGE 8*35	4	
95701-08040		95701-08040-08	BOLT FLANGE 8*40	BOLT FLANGE 8*40	2	
96100-62050		96100-62050-00	BRG BALL RADIAL 6205	BRG BALL RADIAL 6205	1	
96100-63020		96100-63020-00	BRG BALL RADIAL 6302	BRG BALL RADIAL 6302	1	
96100-63040		96100-63040-00	BRG BALL RADIAL 6304	BRG BALL RADIAL 6304	1	

F01

Head Light

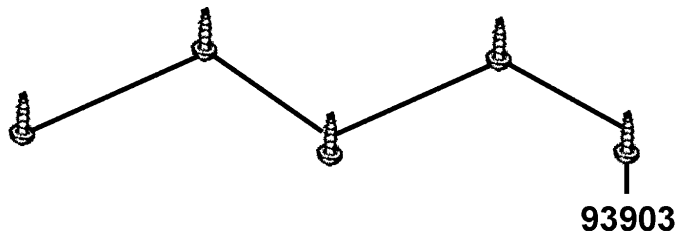
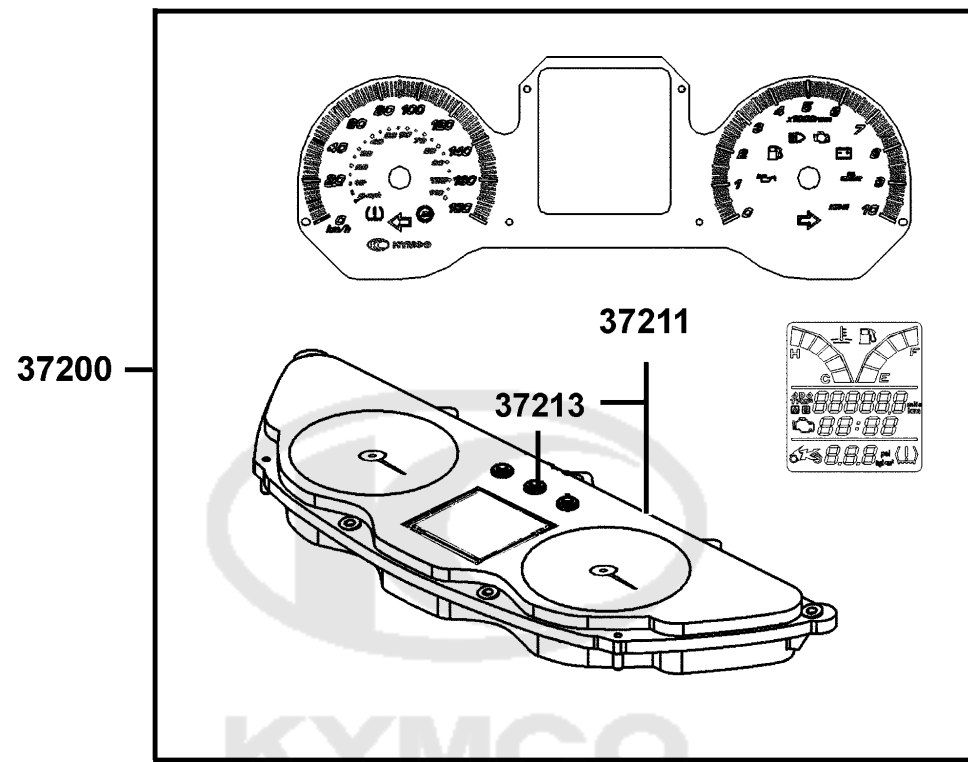


Sales mark	Ref no	Part no	Description	Reg description	Regd no	F01
	33100	33100-LEA7-E00	LIGHT ASSY., RH. HEAD	LIGHT ASSY., RH. HEAD	1	
	33110	33110-LEA7-E00	UNIT HEAD LIGHTR R	UNIT HEAD LIGHTR R	1	
	33120	33120-LEA7-E00	UNIT HEAD LIGHTR L	UNIT HEAD LIGHTR L	1	
	33130	33130-LEA7-E00	SOCKET COMP	SOCKET COMP	1	
	33150	33150-LEA7-E00	LIGHT ASSY.,LH. HEAD	LIGHT ASSY.,LH. HEAD	1	
	33180	33180-LEA7-E00	SOCKET COMP	SOCKET COMP	1	
	34901	34901-KGB5-M30	BULB HEAD LIGHT	BULB HEAD LIGHT	2	
	34905	34905-LEA7-E00	BULB WINKER	BULB WINKER	2	
	90301	90301-6D34-671	NUT FLANGE 6MM	NUT FLANGE 6MM	2	
	93903	93903-35320	SCREW TAPPING 5*16	SCREW TAPPING 5*16	10	



F02

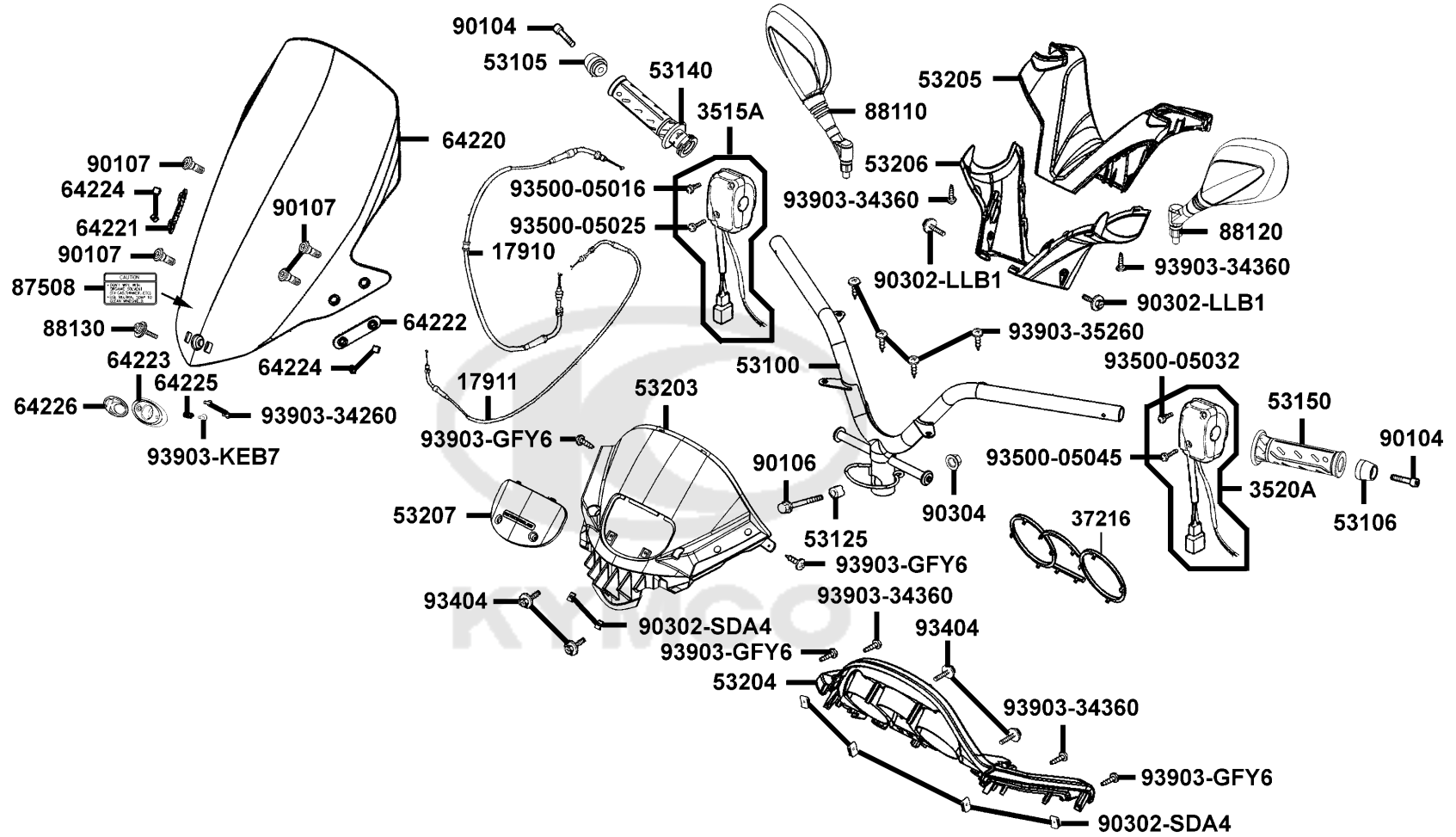
Speed meter



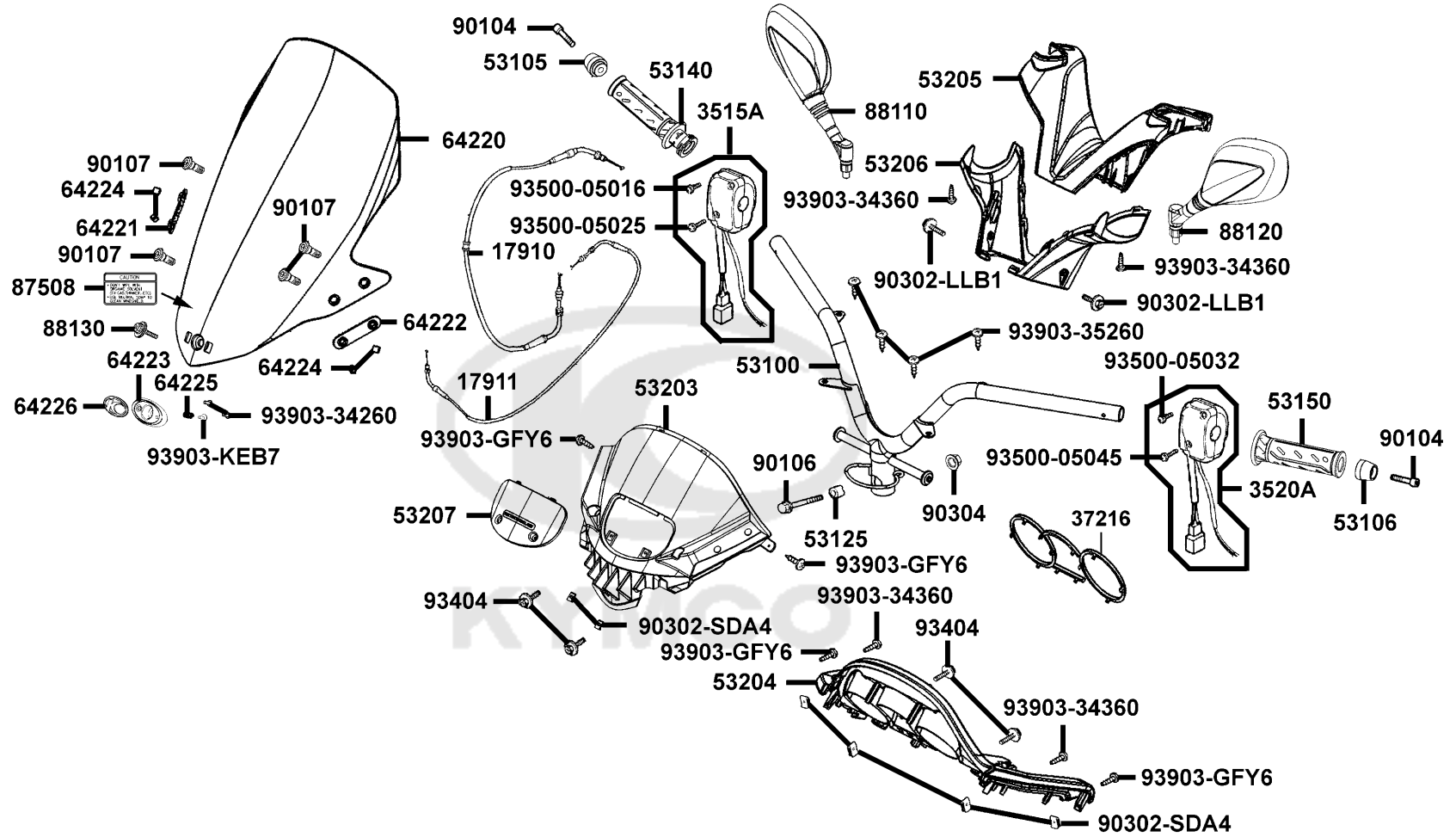
Sales mark	Ref no	Part no	Description	Reg description	Regd no	<b>F02</b>
------------	--------	---------	-------------	-----------------	---------	------------

37200		37200-LEA7-E00	METER ASSY.,SPEED	METER ASSY.,SPEED	1	
37211		37211-KKE5-E00	LENS ASSY	LENS ASSY	1	
37213		37213-KKE5-E00	BUTTON	BUTTON	3	
93903		93903-35320	SCREW TAPPING 5*16	SCREW TAPPING 5*16	5	



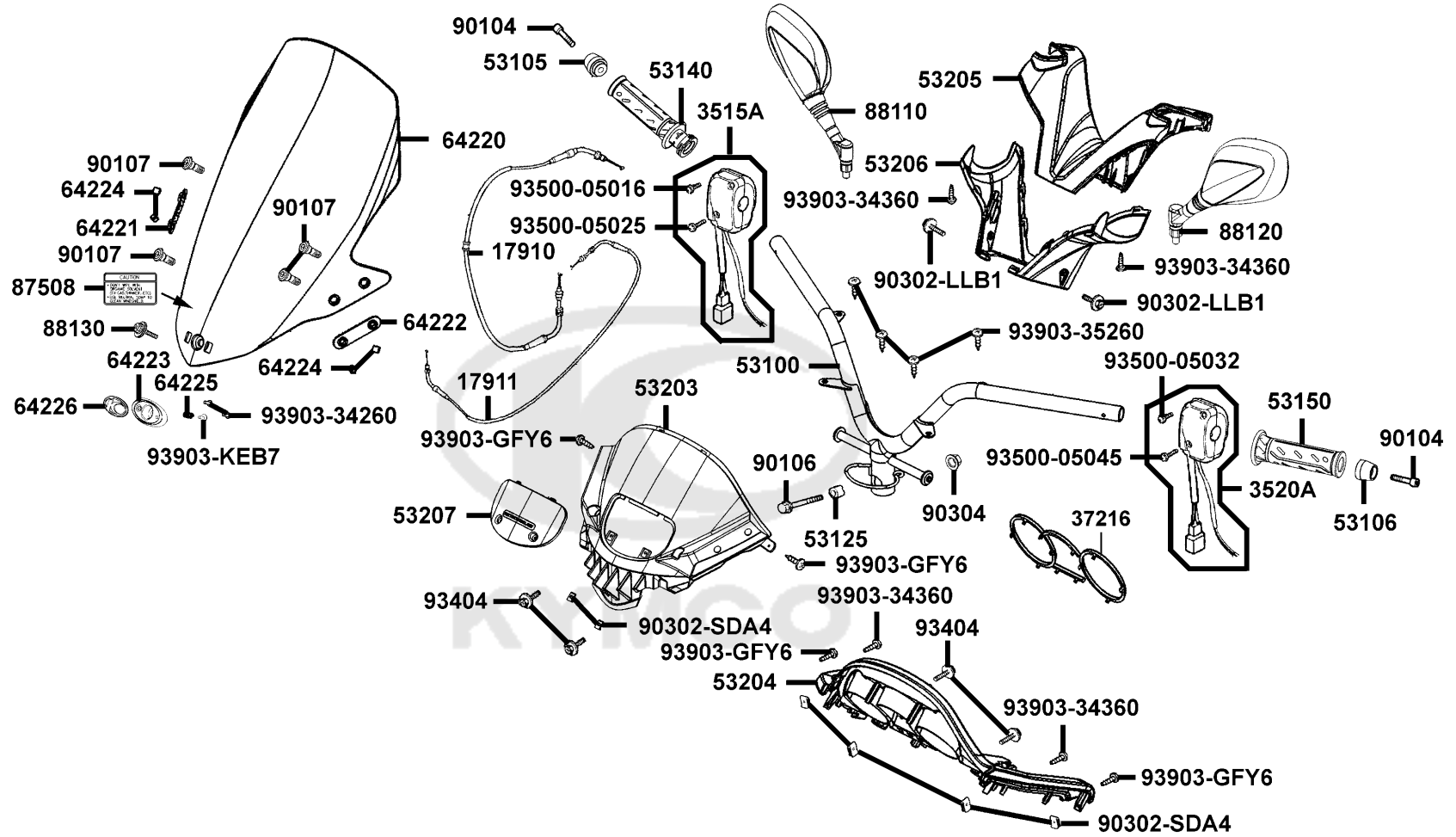


Sales mark	Ref no	Part no	Description	Reg description	Regd no	F03
	17910	17910-LEA7-E00	CABLE A,THROT	CABLE A,THROT	1	
	17911	17911-LEA7-E00	CABLE B,THROT	CABLE B,THROT	1	
	3515A	3515A-LBA2-E01	SW ASSY RH HNDL COMP	SW ASSY RH HNDL COMP	1	
	3520A	3520A-KEBE-900	SW ASSY L HNDL COMP	SW ASSY L HNDL COMP	1	
**	37216	37216-LEA7-E00	COSMETIC METER COVER	COSMETIC METER COVER	1	
	53100	53100-LEA7-E00	HANDLE COMP.,STRG.	HANDLE COMP.,STRG.	1	
	53105	53105-LEA7-E00	END R,HANDLE	END R,HANDLE	1	
	53106	53106-LEA7-E00	END L,HANDLE	END L,HANDLE	1	
	53125	53125-LEA7-E00	COLLAR HANDLE SET	COLLAR HANDLE SET	1	
**	53140	53140-LEA7-E00	GRIP COMP THROT	GRIP COMP THROT	1	
**	53150	53150-LEA6-900	GRIP COMP L HANDLE	GRIP COMP L HANDLE	1	
**	53203	53203-LEA7-E00	COVER METER FR	COVER METER FR	1	
**	53204	53204-LEA7-E00	COVER METER RR	COVER METER RR	1	
**	53205	53205-LEA7-E00	COVER HANDLE UP	COVER HANDLE UP	1	
**	53206	53206-LEA7-E00	COVER HANDLE LOW	COVER HANDLE LOW	1	
	53207	53207-LEA7-E00	LID RADIATOR COOLANT	LID RADIATOR COOLANT	1	
**	64220	64220-LEA7-E00	WIND SCREEN	WIND SCREEN	1	
	64221	64221-LEA7-E00	RUBBER R WIND SCREEN	RUBBER R WIND SCREEN	1	
	64222	64222-LEA7-E00	RUBBER L WIND SCREEN	RUBBER L WIND SCREEN	1	
**	64223	64223-LEA7-E00	PLUG WIND SCREEN	PLUG WIND SCREEN	1	





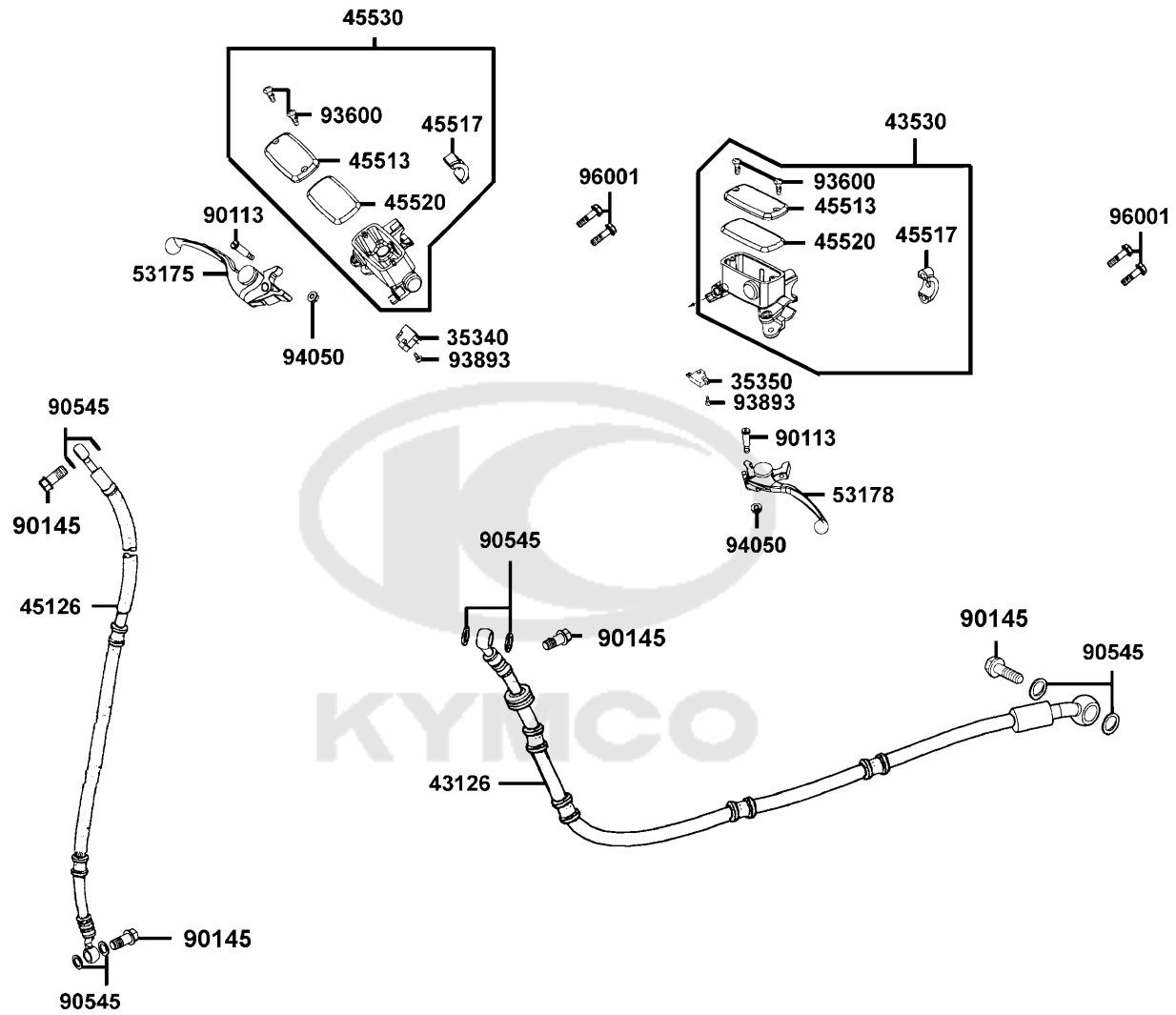
Sales mark	Ref no	Part no	Description	Reg description	Regd no	F03
	64224	64224-LEA7-E00	COLLAR WIND SCREEN	COLLAR WIND SCREEN	4	
	64225	64225-LEA7-E00	SPRING COSMETIC K-LOGO	SPRING COSMETIC K-LOGO	1	
	64226	64226-LEA7-E00	COSMETIC K-LOGO	COSMETIC K-LOGO	1	
**	87508	87508-KKC4-E00	LABEL CLEANNESS CAUYION	LABEL CLEANNESS CAUYION	1	
**	88110	88110-LEA7-E00	MIRROR ASSY.R/H BACK	MIRROR ASSY.R/H BACK	1	
**	88120	88120-LEA7-E00	MIRROR ASSY.L/H BACK	MIRROR ASSY.L/H BACK	1	
	88130	88130-KEBE-900	BOLT SPECIAL	BOLT SPECIAL	1	
	90104	90104-LEA7-E00	BOLT WASH.,M8*60	BOLT WASH.,M8*60	2	
	90106	90106-GEN5-901	BOLT FLANGE 10*50	BOLT FLANGE 10*50	1	
	90107	90107-LEA7-E00	BOLT SPECIAL 8MM	BOLT SPECIAL 8MM	4	
	90302-LLB1	90302-LLB1-E00	BOLT WASH 5*12	BOLT WASH 5*12	2	
	90302-SDA4	90302-SDA4-004	NUT SPRING 4MM	NUT SPRING 4MM	4	
	90304	90304-GHE8-004	NUT U 10MM	NUT U 10MM	1	
	93404	93404-06016-06	BOLT WASHER 6*16	BOLT WASHER 6*16	4	
	93500-05016	93500-05016-1B	SCREW PAN 5*16	SCREW PAN 5*16	1	
	93500-05025	93500-05025-1B	SCREW PAN 5*25	SCREW PAN 5*25	1	
	93500-05032	93500-05032-1B	SCREW PAN 5*32	SCREW PAN 5*32	1	
	93500-05045	93500-05045-1B	SCREW PAN 5*45	SCREW PAN 5*45	1	
	93903-34260	93903-34260	SCREW TAPPING 4*10	SCREW TAPPING 4*10	2	
	93903-34360	93903-34360	SCREW TAPPING 4*12	SCREW TAPPING 4*12	6	



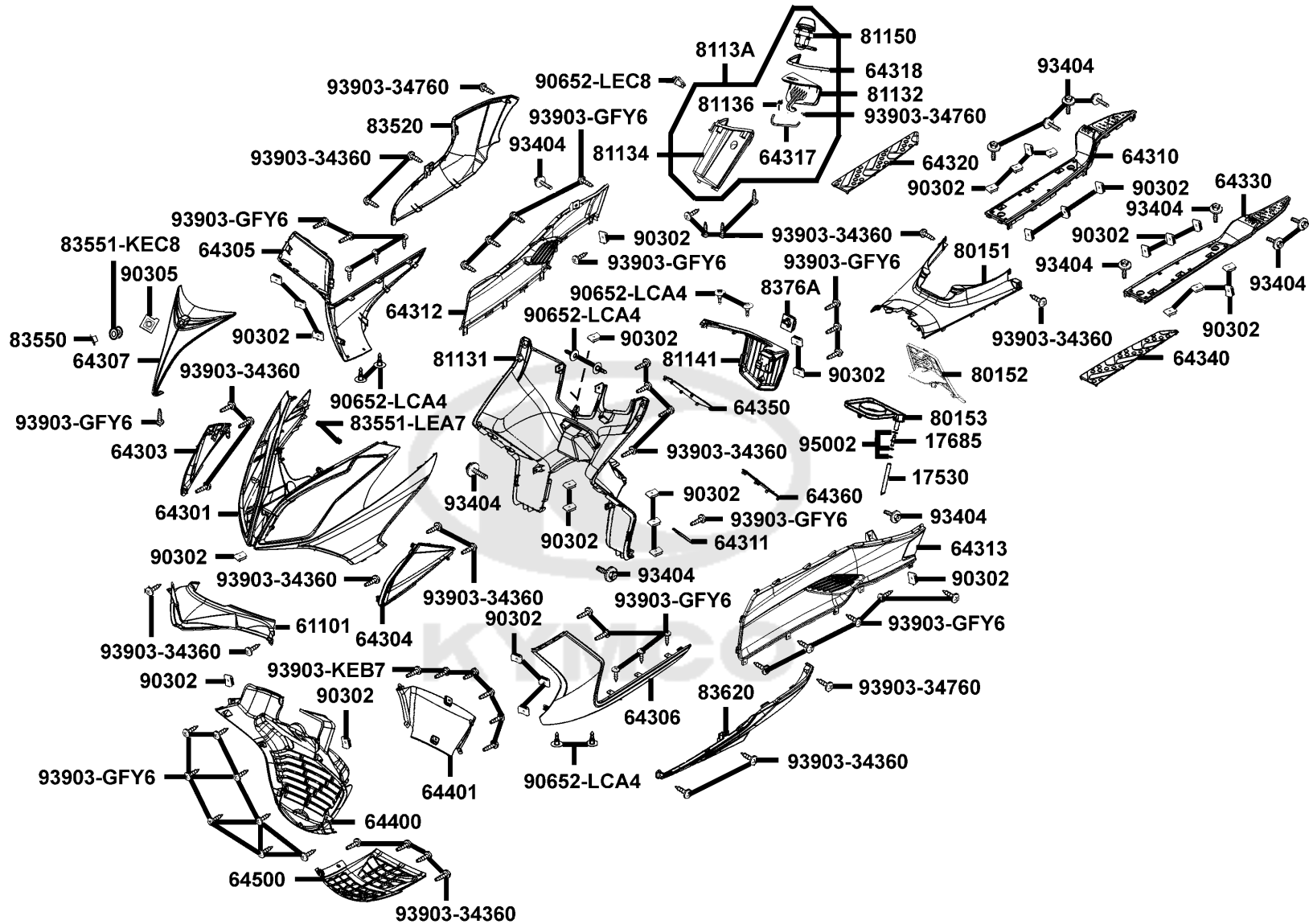
Sales mark	Ref no	Part no	Description	Reg description	Regd no	<b>F03</b>
------------	--------	---------	-------------	-----------------	---------	------------

	93903-35260	93903-35260	SCREW TAPPING 5*12	SCREW TAPPING 5*12	2	
	93903-GFY6	93903-GFY6-900	SCREW TAPP 4*14	SCREW TAPP 4*14	4	
	93903-KEB7	93903-KEB7-900-06	SCREW WASHER 4MM	SCREW WASHER 4MM	1	





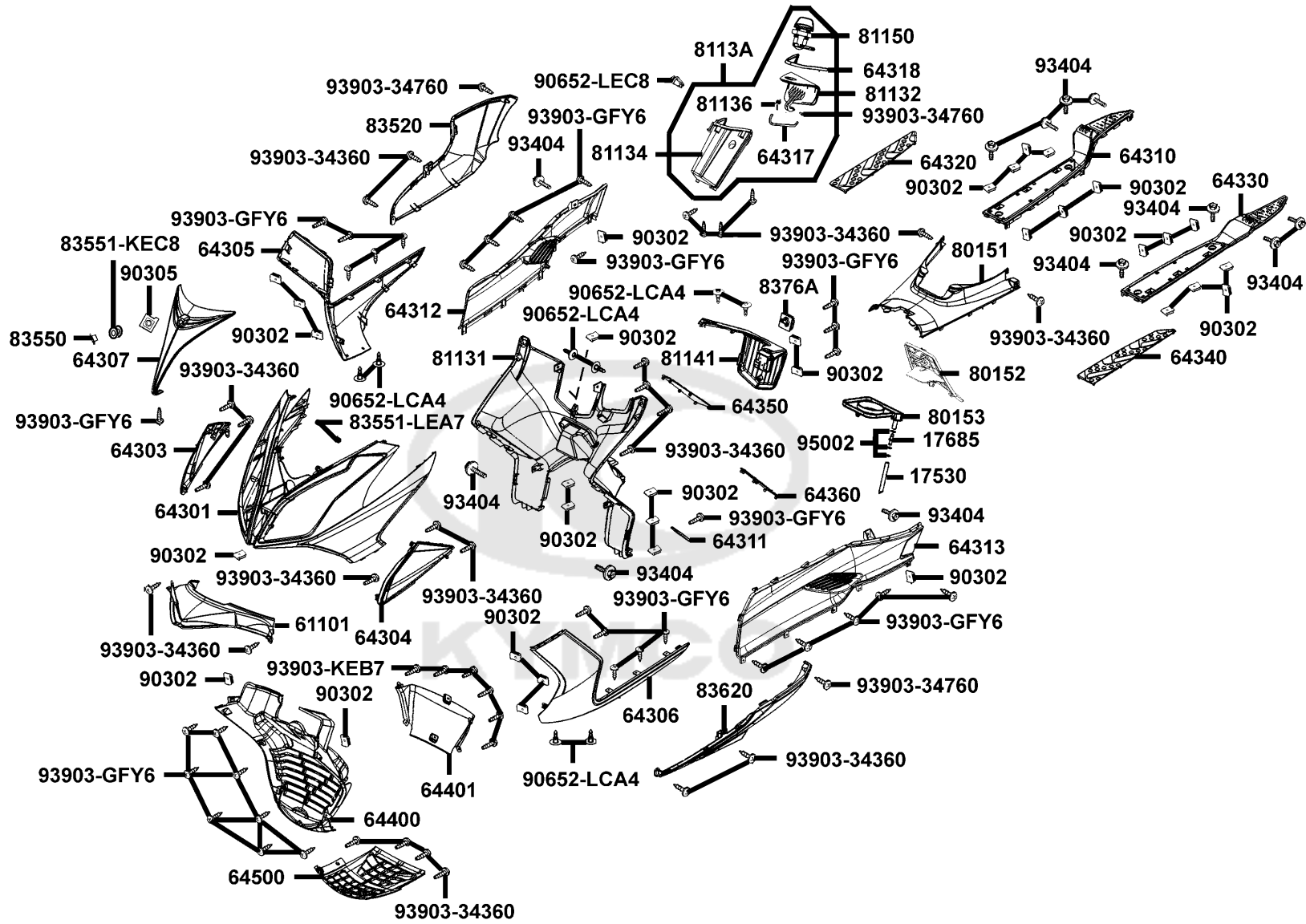
Sales mark	Ref no	Part no	Description	Reg description	Regd no	F04
	35340	35340-KNBN-901	SW ASSY FR STOP	SW ASSY FR STOP	1	
	35350	35350-KNBN-901	SW ASSY RR STOP	SW ASSY RR STOP	1	
	43126	43126-LEA7-E00	HOSE ASSY RR BRK	HOSE ASSY RR BRK	1	
	43530	43530-LEA7-305	CYLINDER SET MASTER	CYLINDER SET MASTER	1	
	45126	45126-LEA7-E00	HOSE ASSY, FR BRK	HOSE ASSY, FR BRK	1	
	45513	45513-LEA7-E00	CAP MASTER CYLINDER	CAP MASTER CYLINDER	1	
	45517	45517-LBA2-E00	HOLDER. M/C	HOLDER. M/C	2	
	45520	45520-KKA8-900	DIAPHRAGM	DIAPHRAGM	2	
	45530	45530-LBA2-308	CYLINDER SET FR MASTER	CYLINDER SET FR MASTER	1	
**	53175	53175-KKE5-E00	LEVER R STRG HANDLE	LEVER R STRG HANDLE	1	
**	53178	53178-KKE5-E00	LEVER L STRG HANDLE	LEVER L STRG HANDLE	1	
	90113	90113-KKA8-900	BOLT HANDLE LEVER	BOLT HANDLE LEVER	2	
	90145	90145-MKS9-61A	OIL BOLT 10*22	OIL BOLT 10*22	4	
	90545	90545-3L00-001	WASHER OIL BOLT	WASHER OIL BOLT	8	
	93600	93600-04012-1G	SCREW FLAT 4*12	SCREW FLAT 4*12	4	
	93893	93893-04012-18	SCREW WASHER 4*12	SCREW WASHER 4*12	2	
	94050	94050-06060	NUT FLANGE 6MM	NUT FLANGE 6MM	2	
	96001	96001-06028-06	BOLT FLANGE SH 6*28	BOLT FLANGE SH 6*28	4	



Sales mark	Ref no	Part no	Description	Reg description	Regd no	F05
	17530	17530-KGB5-900	TUBE ASSY DRAIN	TUBE ASSY DRAIN	1	
	17685	17685-KZCZ-900	JOINT TUBE	JOINT TUBE	1	
**	61101	61101-LEA7-E00	FENDER FR INNER	FENDER FR INNER	1	
**	64301	64301-LEA7-E00	COVER FR	COVER FR	1	
**	64303	64303-LEA7-E00	BOARD R FR COVER	BOARD R FR COVER	1	
**	64304	64304-LEA7-E00	BOARD L FR COVER	BOARD L FR COVER	1	
**	64305	64305-LEA7-E00	SKIRT R SIDE	SKIRT R SIDE	1	
**	64306	64306-LEA7-E00	SKIRT L SIDE	SKIRT L SIDE	1	
**	64307	64307-LEA7-E00	LID FR COVER	LID FR COVER	1	
**	64310	64310-LEA7-E00	FLOOR PANEL R	FLOOR PANEL R	1	
**	64311	64311-LEA7-E00	LID RESERVE TANK	LID RESERVE TANK	1	
**	64312	64312-LEA7-E00	BOARD.R PANEL FLOOR	BOARD.R PANEL FLOOR	1	
**	64313	64313-LEA7-E00	BOARD.R PANEL FLOOR	BOARD.R PANEL FLOOR	1	
	64317	64317-LEA7-E00	SPONGE FR INNER BOX	SPONGE FR INNER BOX	1	
	64318	64318-LEA7-E00	SEAL FR INNER BOX	SEAL FR INNER BOX	1	
**	64320	64320-LEA7-E00	MAT R FLOOR	MAT R FLOOR	1	
**	64330	64330-LEA7-E00	FLOOR PANEL L	FLOOR PANEL L	1	
**	64340	64340-LEA7-E00	MAT L FLOOR	MAT L FLOOR	1	
**	64350	64350-LEA7-E00	MAT R LEG SHIELD	MAT R LEG SHIELD	1	
**	64360	64360-LEA7-E00	MAT L LEG SHIELD	MAT L LEG SHIELD	1	

F05

Fender Front

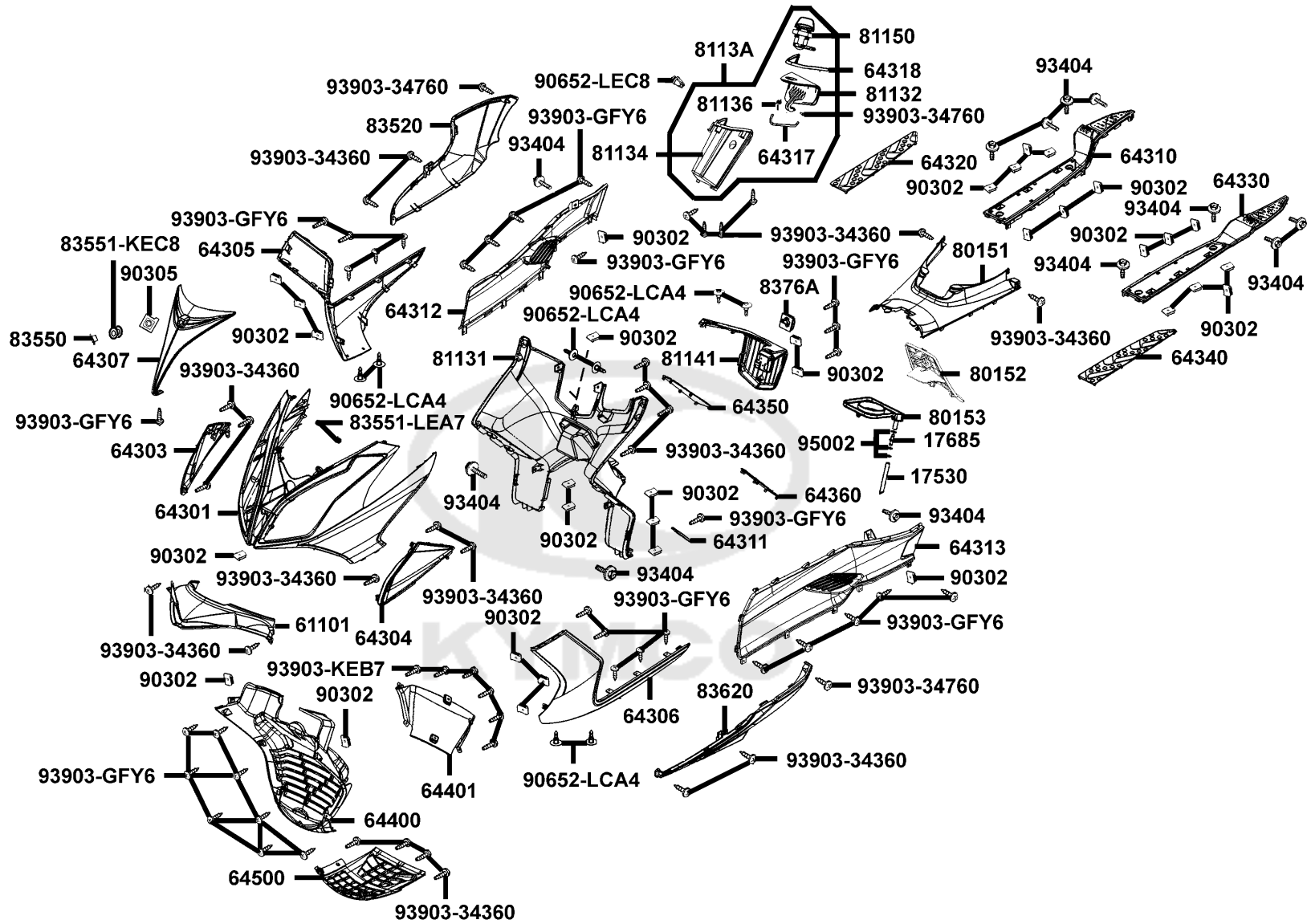




Sales mark	Ref no	Part no	Description	Reg description	Regd no	F05
**	64400	64400-LEA7-E00	COWL UNDER	COWL UNDER	1	
**	64401	64401-LEA7-E00	MESH ,UNDER COWL	MESH ,UNDER COWL	1	
**	64500	64500-LEA7-E00	UNDER COWL LOW	UNDER COWL LOW	1	
**	80151	80151-LEA7-E00	COVER CENTER	COVER CENTER	1	
**	80152	80152-LEA7-E00	COVER PLUG MAINT	COVER PLUG MAINT	1	
	80153	80153-LEA7-E00	RUBBER FUEL CAP	RUBBER FUEL CAP	1	
**	81131	81131-LEA7-E00	LEG SHIELD	LEG SHIELD	1	
**	81132	81132-LEA7-E00	LID L/H FR INNER BOX	LID L/H FR INNER BOX	1	
**	81134	81134-LEA7-E00	BOX L/H FR INNER	BOX L/H FR INNER	1	
	81136	81136-LEA7-E00	SPRING FR INNER BOX	SPRING FR INNER BOX	1	
**	8113A	8113A-LEA7-E00	FR INNER BOX.ASSY.	FR INNER BOX.ASSY.	1	
**	81141	81141-LEA7-E00	TUNNEL LEG SHIELD	TUNNEL LEG SHIELD	1	
	81150	81150-LEA7-E00	LOCKLESS ASSY	LOCKLESS ASSY	1	
**	83520	83520-LEA7-E00	COVER. R SIDE	COVER. R SIDE	1	
	83550	83550-KEC8-900	COLLAR	COLLAR	1	
	83551-KEC8	83551-KEC8-900	GROMMET COVER	GROMMET COVER	1	
	83551-LEA7	83551-LEA7-E00	GROMMET FRONT COVER	GROMMET FRONT COVER	2	
**	83620	83620-LEA7-E00	COVER. L SIDE	COVER. L SIDE	1	
	8376A	8376A-KEBE-900	CLIP ASSY CENTER	CLIP ASSY CENTER	1	
	90302	90302-SDA4-004	NUT SPRING 4MM	NUT SPRING 4MM	33	

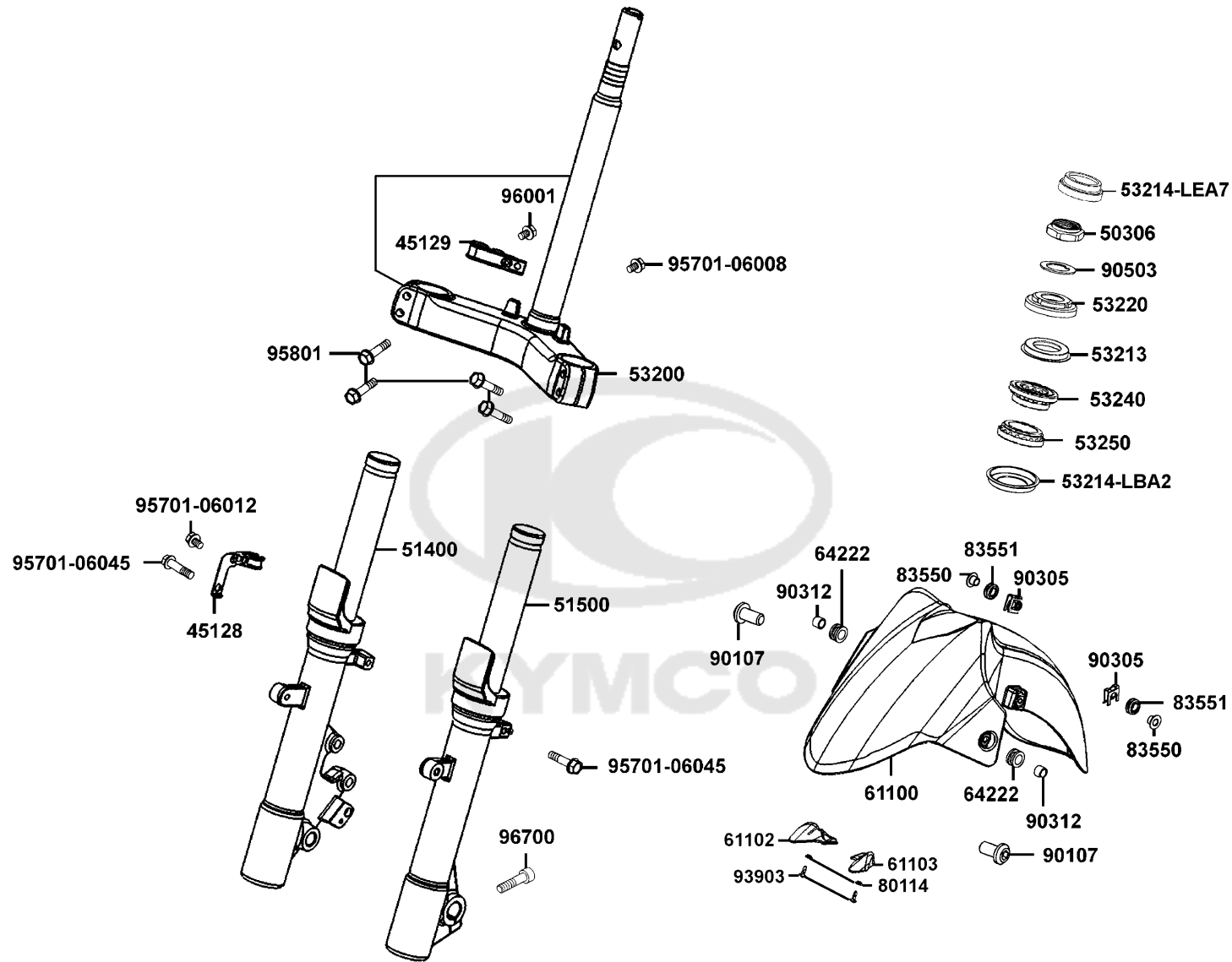
F05

Fender Front

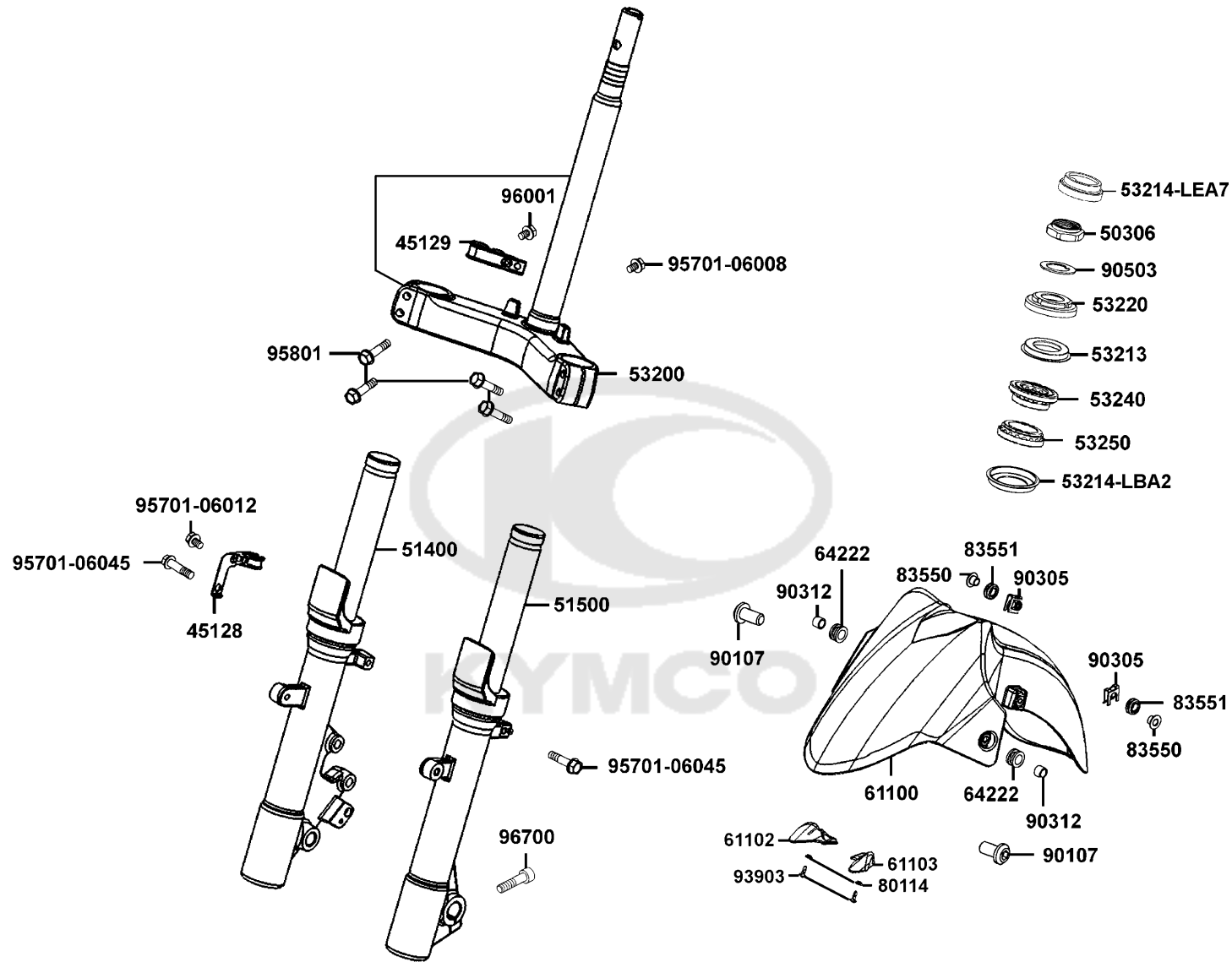


Sales mark	Ref no	Part no	Description	Reg description	Regd no	<b>F05</b>
90305		90305-LBA2-E00	NUT CLIP 6MM	NUT CLIP 6MM	1	
90652-LCA4		90652-LCA4-E00	CLIP MUDGUARD	CLIP MUDGUARD	8	
90652-LEC8		90652-LEC8-E00	CLIP MUDGUARD	CLIP MUDGUARD	1	
93404		93404-06016-06	BOLT WASHER 6*16	BOLT WASHER 6*16	10	
93903-34360		93903-34360	SCREW TAPPING 4*12	SCREW TAPPING 4*12	26	
93903-34760		93903-34760	SCREW TAPPING 4*30	SCREW TAPPING 4*30	2	
93903-GFY6		93903-GFY6-900	SCREW TAPP 4*14	SCREW TAPP 4*14	27	
93903-KEB7		93903-KEB7-900-06	SCREW WASHER 4MM	SCREW WASHER 4MM	1	
95002		95002-02080	CLIP B8 CHAMBER TUBE	CLIP B8 CHAMBER TUBE	2	

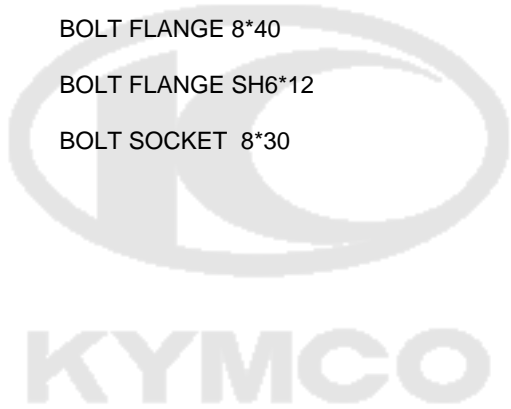




Sales mark	Ref no	Part no	Description	Reg description	Regd no	F06
	45128	45128-LBA2-920	CLAMPER FR BRK HOSE	CLAMPER FR BRK HOSE	1	
	45129	45129-LBA2-900	CLAMPER FR BRK HOSE	CLAMPER FR BRK HOSE	1	
	50306	50306-1F96-001	NUT STRG STEM LOCK	NUT STRG STEM LOCK	1	
**	51400	51400-LEA7-E00	FORK ASSY R FR	FORK ASSY R FR	1	
**	51500	51500-LEA7-E00	FORK ASSY L FR	FORK ASSY L FR	1	
	53200	53200-LEA7-E00	STEM COMP STRG	STEM COMP STRG	1	
	53213	53213-LBA2-E00	DUST SEAL STRG HEAD TOP	DUST SEAL STRG HEAD TOP	1	
	53214-LBA2	53214-LBA2-E00	DUST SEAL STRG (HEAD)	DUST SEAL STRG (HEAD)	1	
	53214-LEA7	53214-LEA7-E00	DUST SEAL STRG HEAD BOT	DUST SEAL STRG HEAD BOT	1	
	53220	53220-LBA2-E00	THREAD COMP STRG HEAD TOP	THREAD COMP STRG HEAD TOP	1	
	53240	53240-LBA2-E00	BEARING TOT STRG	BEARING TOT STRG	1	
	53250	53250-LBA2-E00	BEARING BOT STRG	BEARING BOT STRG	1	
**	61100	61100-LEA7-E00	FENDER ASSY FR	FENDER ASSY FR	1	
	61102	61102-LEA7-E00	RUBBER FR FENDER R	RUBBER FR FENDER R	1	
	61103	61103-LEA7-E00	RUBBER FR FENDER L	RUBBER FR FENDER L	1	
	64222	64222-LLJ3-E00	RUBBER WIND SCREEN	RUBBER WIND SCREEN	2	
	80114	80114-KGG7-001	COLLAR RR FENDER	COLLAR RR FENDER	2	
	83550	83550-KEC8-900	COLLAR	COLLAR	2	
	83551	83551-KEC8-900	GROMMET COVER	GROMMET COVER	2	
	90107	90107-LEA7-E00	BOLT SPECIAL 8MM	BOLT SPECIAL 8MM	2	

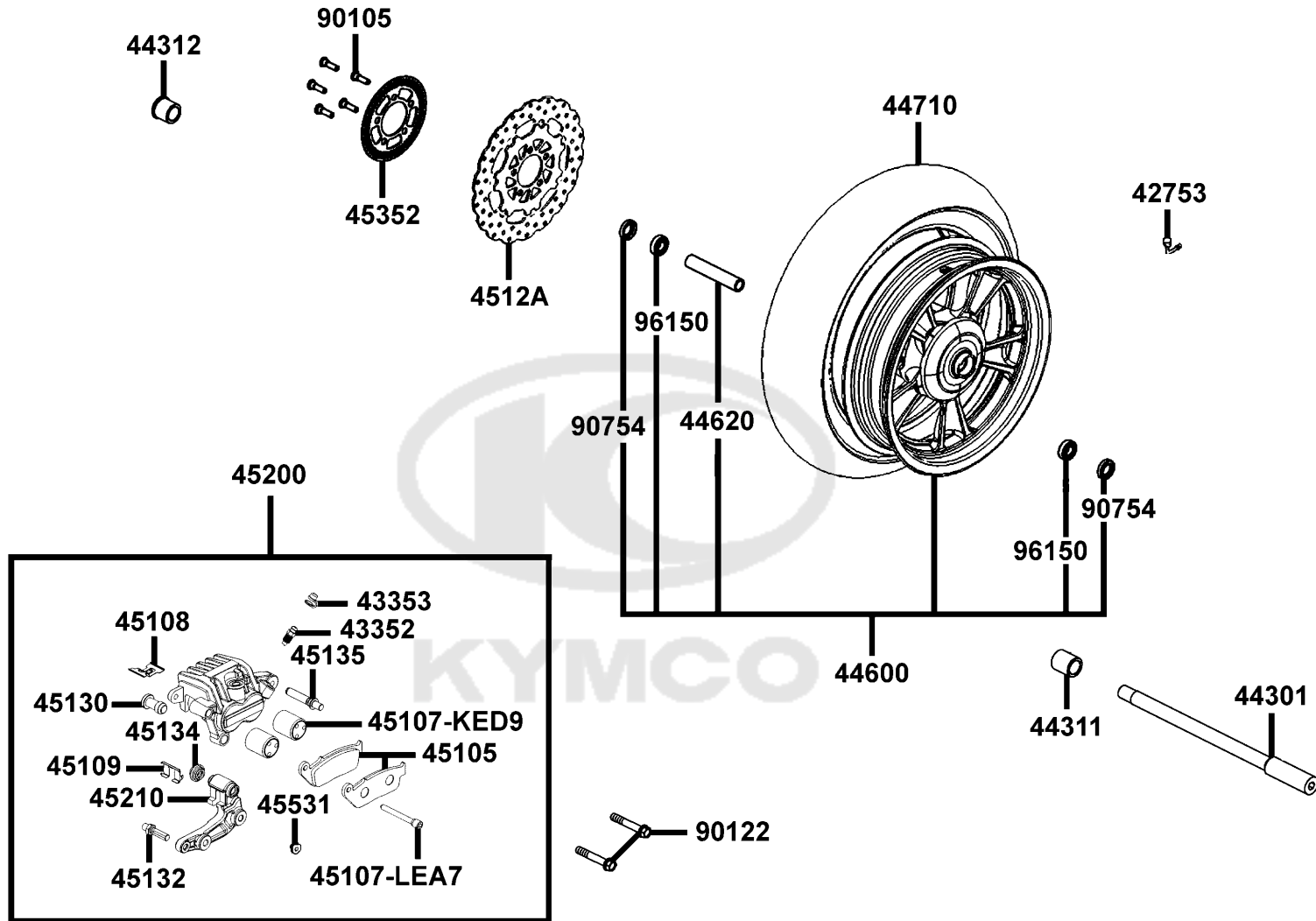


Sales mark	Ref no	Part no	Description	Reg description	Regd no	<b>F06</b>
90305		90305-LBA2-E00	NUT CLIP 6MM	NUT CLIP 6MM	2	
90312		90312-LLJ3-E01	COLLAR WIND SCREEN	COLLAR WIND SCREEN	2	
90503		90503-LEA7-E00	WASHER STRG STEM NUT	WASHER STRG STEM NUT	1	
93903		93903-35360	SCREW TAPPING 5*16	SCREW TAPPING 5*16	2	
95701-06008		95701-06008-06	BOLT FLANGE 6*8	BOLT FLANGE 6*8	1	
95701-06012		95701-06012-06	BOLT FLANGE 6*12	BOLT FLANGE 6*12	1	
95701-06045		95701-06045-06	BOLT FLANGE 6*45	BOLT FLANGE 6*45	2	
95801		95801-08040-08	BOLT FLANGE 8*40	BOLT FLANGE 8*40	4	
96001		96001-06012-06	BOLT FLANGE SH6*12	BOLT FLANGE SH6*12	1	
96700		96700-KED9-900	BOLT SOCKET 8*30	BOLT SOCKET 8*30	1	



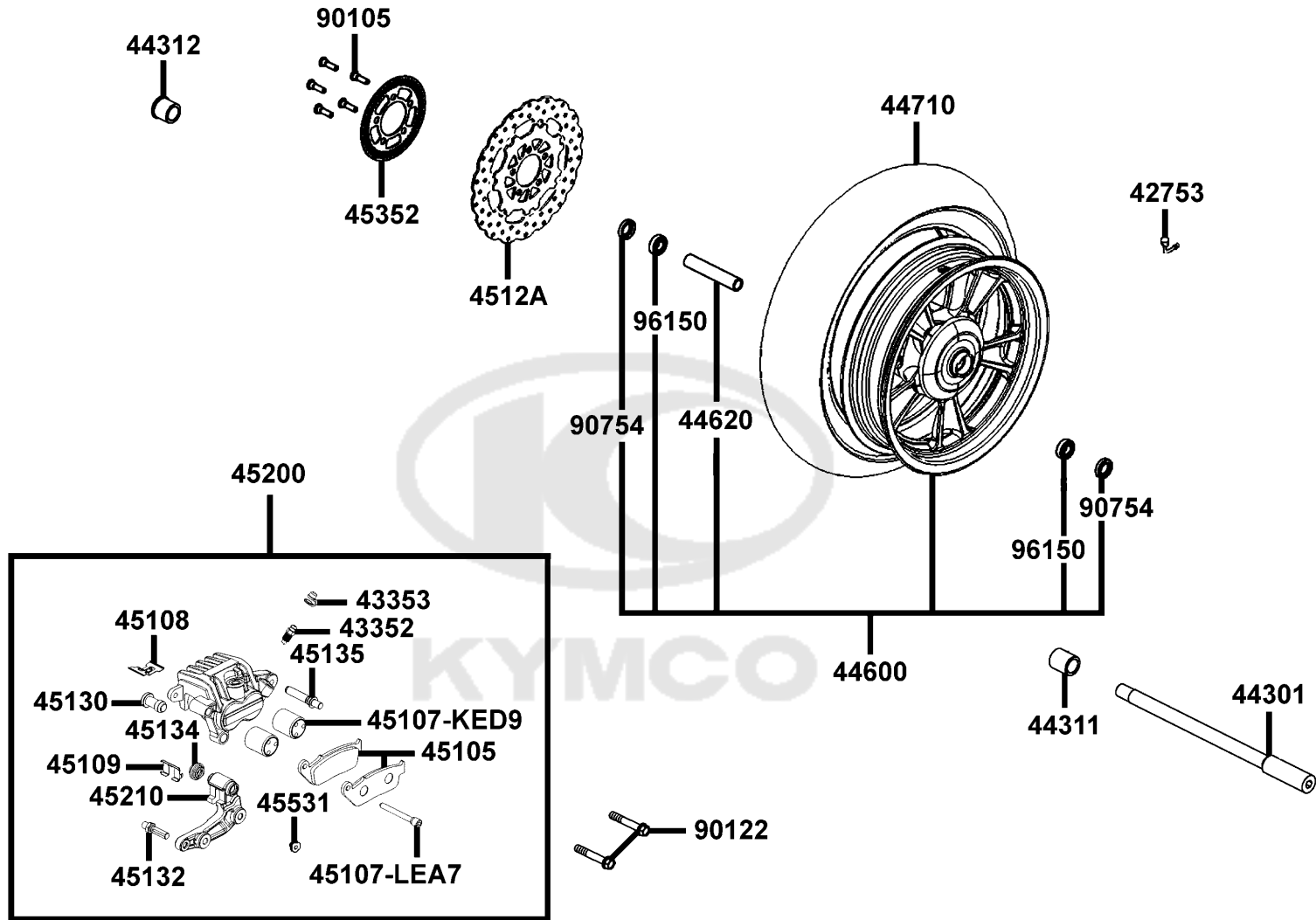
F07

Front Wheel





Sales mark	Ref no	Part no	Description	Reg description	Regd no	F07
	42753	42753-KNBN-90B	VALVE RIM (TR412)	VALVE RIM (TR412)	1	
	43352	43352-KED9-900	BREATHER	BREATHER	1	
	43353	43353-KED9-900	CAP-BREATHER	CAP-BREATHER	1	
	44301	44301-LEA7-E00	AXLE. FR WHEEL	AXLE. FR WHEEL	1	
	44311	44311-LEA7-E00	COLLAR FR WHEEL SIDE	COLLAR FR WHEEL SIDE	1	
	44312	44312-LEA7-E00	COLLAR FR WHEEL SIDE	COLLAR FR WHEEL SIDE	1	
**	44600	44600-LEA7-305	WHEEL ASSY FR	WHEEL ASSY FR	1	
	44620	44620-LEA7-E00	COLLAR FR WHEEL DISTANCE	COLLAR FR WHEEL DISTANCE	1	
	44710	44710-LEA7-E0A	TIRE ASSY FR 120/80-14 MAXXIS	TIRE ASSY FR 120/80-14 MAXXIS	1	
	44710	44710-LEA7-E0B	TIRE ASSY. FR 120/80-14/KENDA	TIRE ASSY. FR 120/80-14/KENDA	1	
	45105	45105-LEA7-305	PAD SET	PAD SET	1	
	45107-KED9	45107-KED9-900	PISTON-COMP-BRAKE	PISTON-COMP-BRAKE	2	
	45107-LEA7	45107-LEA7-E00	PIN HANGER	PIN HANGER	1	
	45108	45108-LEA7-E00	SPRING PAD	SPRING PAD	1	
	45109	45109-KED9-900	SLIDE PAD	SLIDE PAD	1	
	4512A	4512A-LEA7-E00	DISK COMP FR BRAKE	DISK COMP FR BRAKE	1	
	45130	45130-KED9-900	BOOT	BOOT	1	
	45132	45132-KED9-900	PIN BOLT	PIN BOLT	1	
	45134	45134-KED9-900	BOOT B	BOOT B	1	
	45135	45135-KED9-900	PIN BOLT A	PIN BOLT A	1	

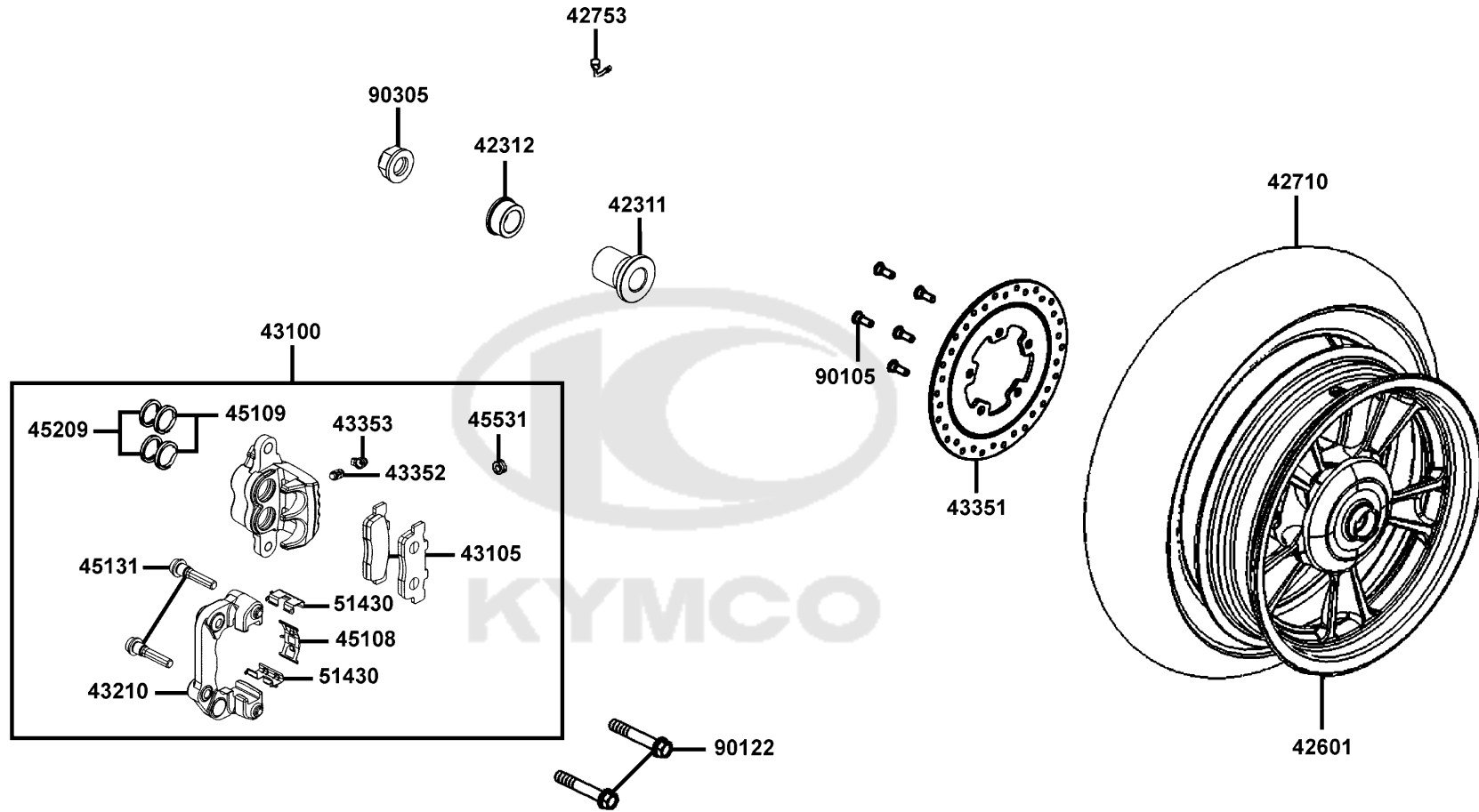


Sales mark	Ref no	Part no	Description	Reg description	Regd no	<b>F07</b>
**	45200	45200-LEA7-E00	CALIPER ASSY FR	CALIPER ASSY FR	1	
	45210	45210-LEA7-305	BRACKET FR SET	BRACKET FR SET	1	
	45352	45352-LEA7-E00	TOOTHED RING SENSOR	TOOTHED RING SENSOR	1	
	45531	45531-KED9-900	PLUG	PLUG	1	
	90105	90105-LEA7-E00	BOLT FR DISK 8x30	BOLT FR DISK 8x30	5	
	90122	90122-LEA7-E00	BOLT FLANGE 10x42(Cr)	BOLT FLANGE 10x42(Cr)	2	
	90754	90754-LLJ3-E00	DUST SEAL	DUST SEAL	2	
	96150	96150-60020-10	BEARING BALL RADIAL 6002	BEARING BALL RADIAL 6002	2	



F08

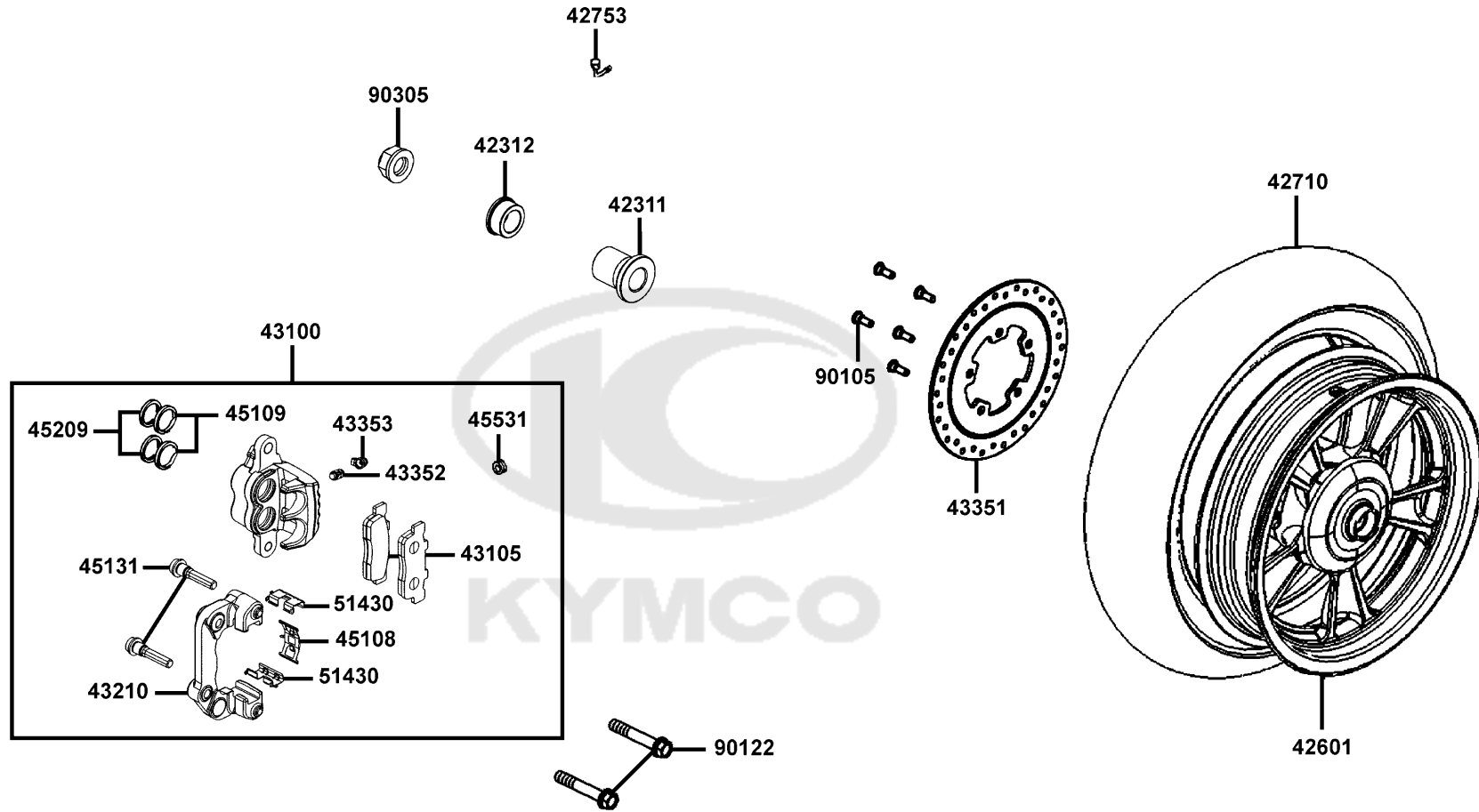
Rear Wheel



Sales mark	Ref no	Part no	Description	Reg description	Regd no	F08
	42311	42311-LEA7-900	COLLAR RR AXLE SIDE A 30*41(B)	COLLAR RR AXLE SIDE A 30*41(B)	1	
	42312	42312-LEA7-E00	COLLAR RR AXLE SIDE	COLLAR RR AXLE SIDE	1	
**	42601	42601-LEA7-E00	WHEEL COMP RR	WHEEL COMP RR	1	
	42710	42710-LEA7-E0A	TIRE ASSY RR 150/70-13/MAXXIS	TIRE ASSY RR 150/70-13/MAXXIS	1	
	42710	42710-LEA7-E0B	TIRE ASSY RR 150/70-13/KENDA	TIRE ASSY RR 150/70-13/KENDA	1	
	42753	42753-KNBN-90B	VALVE RIM (TR412)	VALVE RIM (TR412)	1	
**	43100	43100-LEA7-E00	CALIPER ASSY RR	CALIPER ASSY RR	1	
	43105	43105-LEA7-305	PAD ASSY	PAD ASSY	1	
	43210	43210-LEA7-E00	BRACKET	BRACKET	1	
	43351	43351-LEA7-E00	DISK RR BRAKE	DISK RR BRAKE	1	
	43352	43352-KKD6-E90	SCREW BLEEDER	SCREW BLEEDER	1	
	43353	43353-4A61-77A	CAP BLEEDER	CAP BLEEDER	1	
	45108	45108-LDH1-E00	SPRING PAD	SPRING PAD	1	
	45109	45109-GBE2-007	DUST SEAL	DUST SEAL	1	
	45131	45131-LDH1-E00	PIN BOLT	PIN BOLT	2	
	45209	45209-GBE2-007	SEAL PISTON	SEAL PISTON	1	
	45531	45531-GAR1-951	PLUG	PLUG	1	
	51430	51430-LEA7-E00	SLIDE PAD	SLIDE PAD	2	
	90105	90105-LEA7-E00	BOLT FR DISK 8x30	BOLT FR DISK 8x30	5	
	90122	90122-LEA7-E00	BOLT FLANGE 10x42(Cr)	BOLT FLANGE 10x42(Cr)	2	

F08

Rear Wheel



Sales mark	Ref no	Part no	Description	Reg description	Regd no	<b>F08</b>
------------	--------	---------	-------------	-----------------	---------	------------

90305

90305-KKAK-900

NUT U FLANGE 16MM

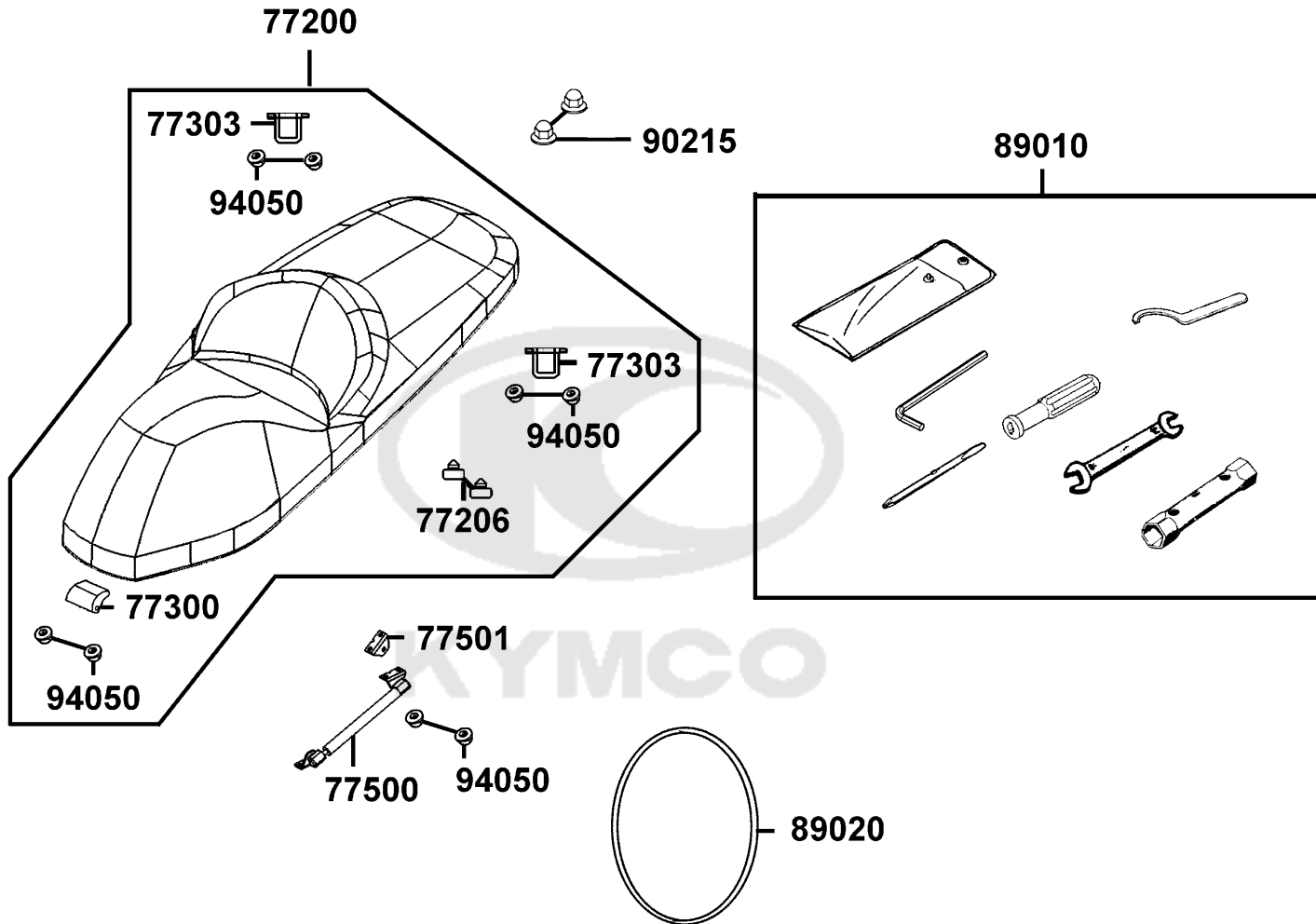
NUT U FLANGE 16MM

1



F09

Seat



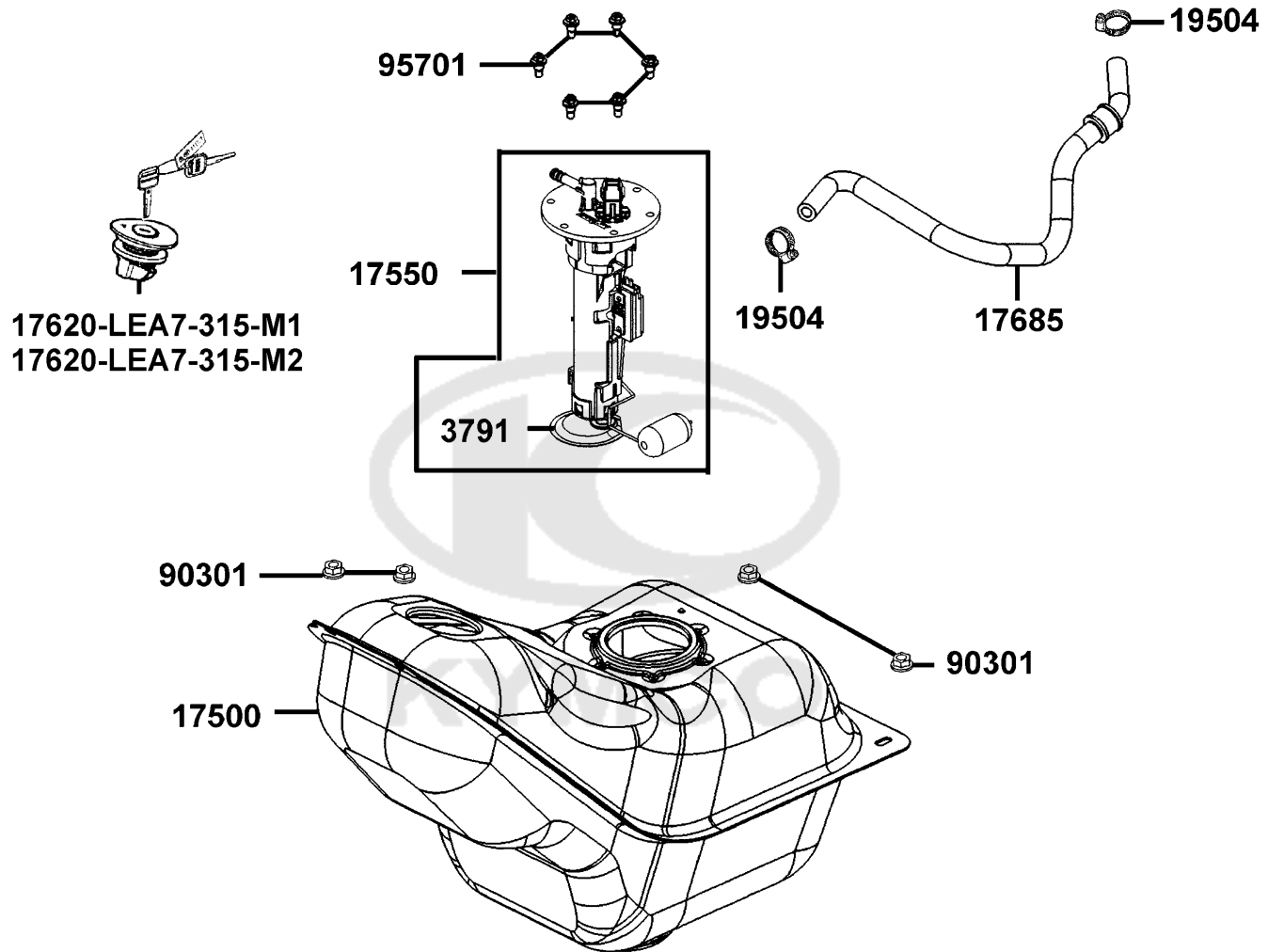


Sales mark	Ref no	Part no	Description	Reg description	Regd no	<b>F09</b>
**	77200	77200-LEA7-305	SEAT ASSY	SEAT ASSY	1	
	77206	77206-KEB7-900	RUBBER SEAT CUSH	RUBBER SEAT CUSH	2	
	77300	77300-LEA7-E00	HINGE COMP SEAT	HINGE COMP SEAT	1	
	77303	77303-LEA7-E00	HOOK SEAT LOCK	HOOK SEAT LOCK	2	
	77500	77500-LEA7-E00	DAMPER CAS	DAMPER CAS	1	
	77501	77501-LEA7-E00	STAY ASSY GAS	STAY ASSY GAS	1	
	89010	89010-LEA7-E00	TOOL SET	TOOL SET	1	
	89020	89020-KKC4-900	BAND TOOL SET	BAND TOOL SET	1	
	90215	90215-KKC4-900	NUT CAP 6MM	NUT CAP 6MM	2	
	94050	94050-06080	NUT FLANGE 6MM	NUT FLANGE 6MM	8	

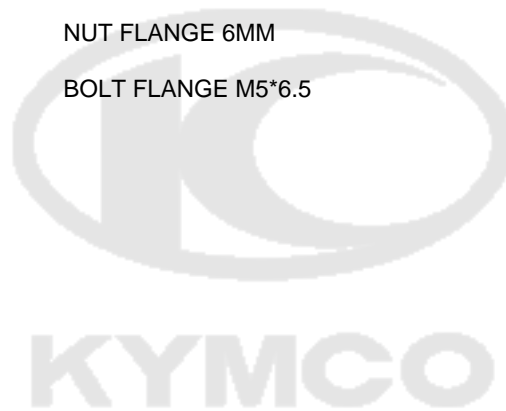


F10

Fuel Tank

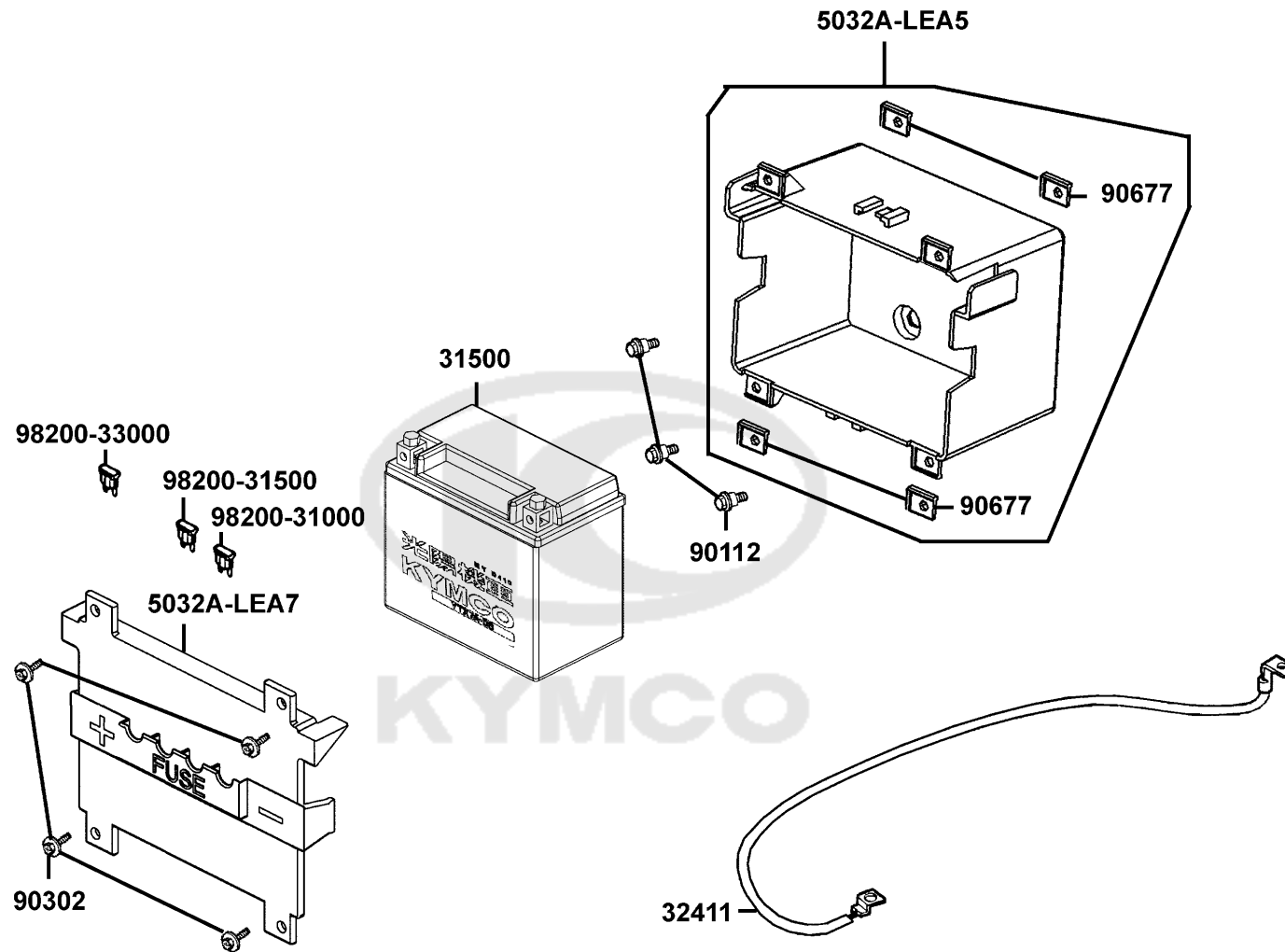


Sales mark	Ref no	Part no	Description	Reg description	Regd no	<b>F10</b>
17500		17500-LEA7-E00	TANK COMP FUEL	TANK COMP FUEL	1	
17550		17550-LEA7-800	FUEL PUMP MODULE ASSY	FUEL PUMP MODULE ASSY	1	
17620-LEA7-315-M1		17620-LEA7-315-M1	CAP COMP FUEL FILLER	CAP COMP FUEL FILLER	1	
17620-LEA7-315-M2		17620-LEA7-315-M2	CAP COMP FUEL FILLER	CAP COMP FUEL FILLER	1	
17685		17685-LEA7-E00	TUBE,FUEL PUMP	TUBE,FUEL PUMP	1	
19504		19504-LBA2-E00	CLAMP D16.8	CLAMP D16.8	2	
3791		3791-HN80-0000	FILTER COMP	FILTER COMP	1	
90301		90301-6D34-671	NUT FLANGE 6MM	NUT FLANGE 6MM	4	
95701		95701-LDF2-800	BOLT FLANGE M5*6.5	BOLT FLANGE M5*6.5	6	

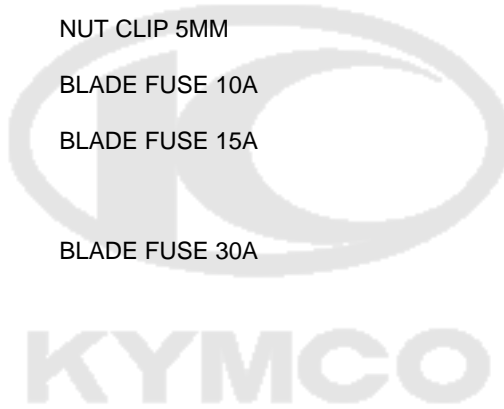


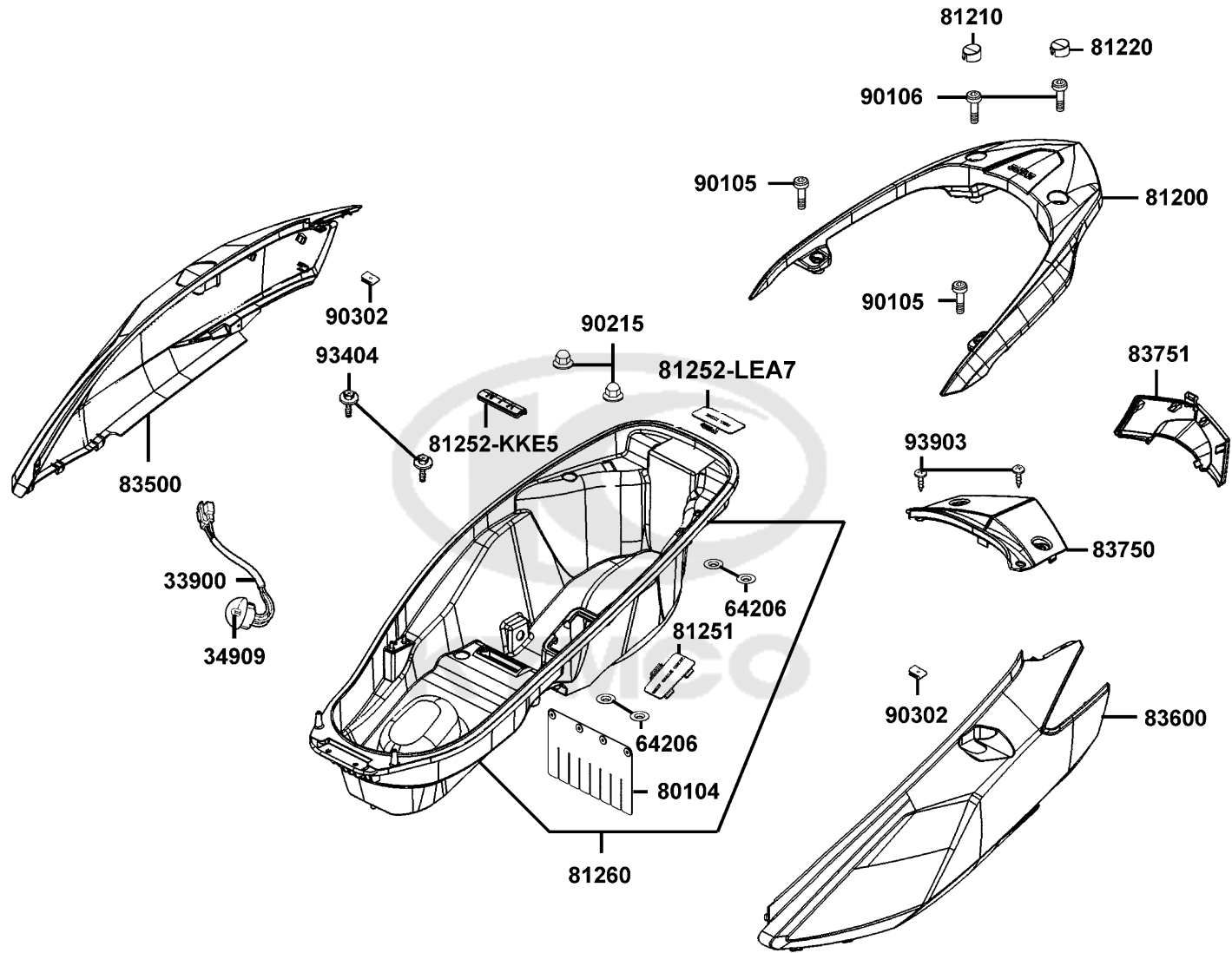
F11

Battery

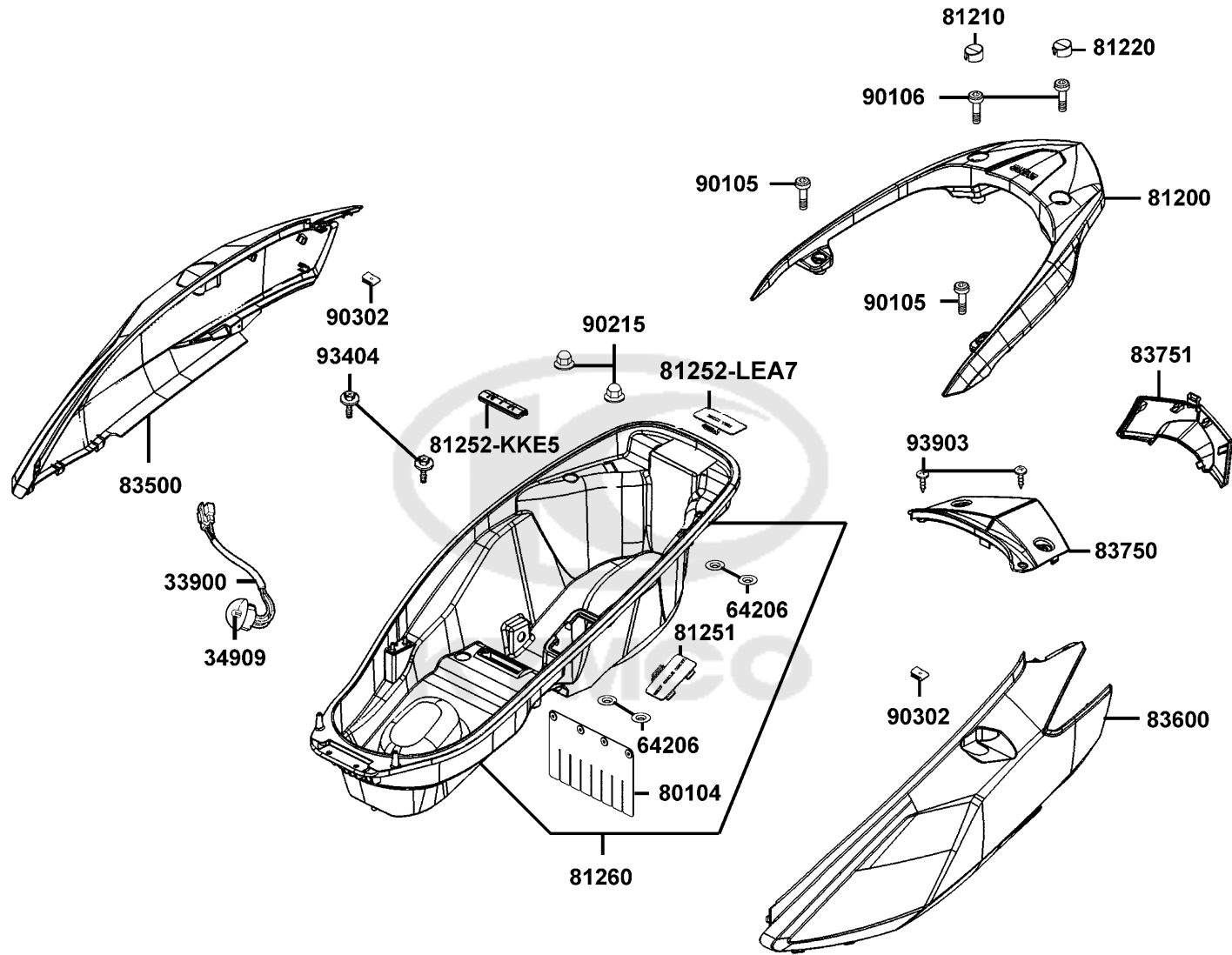


Sales mark	Ref no	Part no	Description	Reg description	Regd no	<b>F11</b>
31500		31500-LEA6-900	BATTERY 12A-BS	BATTERY 12A-BS	1	
31500		31500-LEA6-90B	BATTERY GT12A-BS	BATTERY GT12A-BS	1	
32411		32411-LEA7-E00	CABLE BATTERY	CABLE BATTERY	1	
5032A-LEA5		5032A-LEA5-E00	CASE ASSY BATTERY	CASE ASSY BATTERY	1	
5032A-LEA7		5032A-LEA7-E00	COVER ASSY BATTERY	COVER ASSY BATTERY	1	
90112		90112-KNBN-901	BOLT FLANGE 6MM	BOLT FLANGE 6MM	3	
90302		90302-GFY6-940	BOLT WASHER 5*16	BOLT WASHER 5*16	4	
90677		90677-GAR1-004	NUT CLIP 5MM	NUT CLIP 5MM	1	
98200-31000		98200-31000	BLADE FUSE 10A	BLADE FUSE 10A	1	
98200-31500		98200-31500	BLADE FUSE 15A	BLADE FUSE 15A	1	
98200-33000		98200-33000	BLADE FUSE 30A	BLADE FUSE 30A	1	





Sales mark	Ref no	Part no	Description	Reg description	Regd no	F12
	33900	33900-KKE5-E00	LIGHT ASSY LUGGAGE BOX	LIGHT ASSY LUGGAGE BOX	1	
	34909	34909-KKE5-E00	BULB WEDGE BASE	BULB WEDGE BASE	1	
	64206	64206-MLJ0-001	NUT SPEED 4MM	NUT SPEED 4MM	4	
	80104	80104-LBA2-E00	PLATE C SPLASH GUARD	PLATE C SPLASH GUARD	1	
**	81200	81200-LEA7-E00	COMP RR CARRIER	COMP RR CARRIER	1	
**	81210	81210-LEA7-E00	PLUG RR CARRIER	PLUG RR CARRIER	2	
**	81220	81220-LEA7-E00	PLUG L/H RR CARRIER	PLUG L/H RR CARRIER	1	
	81251	81251-LEA7-E00	COVER SEAT CABLE MAINT.	COVER SEAT CABLE MAINT.	1	
	81252-KKE5	81252-KKE5-E00	PLUG LUGGAGE BOX	PLUG LUGGAGE BOX	1	
	81252-LEA7	81252-LEA7-E00	COVER P.D.A. MAINT	COVER P.D.A. MAINT	1	
	81260	81260-LEA7-E00	BOX ASSY,LUGGAGE	BOX ASSY,LUGGAGE	1	
**	83500	83500-LEA7-E00	COVER R BODY	COVER R BODY	1	
**	83600	83600-LEA7-E00	COVER L BODY	COVER L BODY	1	
**	83750	83750-LEA7-E00	COVER RR CENTER	COVER RR CENTER	1	
**	83751	83751-LEA7-E00	MOLDING RR CENTER	MOLDING RR CENTER	1	
	90105	90105-KFC2-900	BOLT-WASH 8MM	BOLT-WASH 8MM	2	
	90106	90106-KFA6-900	BOLT WASH 8*75	BOLT WASH 8*75	2	
	90215	90215-KKC4-900	NUT CAP 6MM	NUT CAP 6MM	2	
	90302	90302-SDA4-004	NUT SPRING 4MM	NUT SPRING 4MM	2	
	93404	93404-06016-06	BOLT WASHER 6*16	BOLT WASHER 6*16	2	





Sales mark	Ref no	Part no	Description	Reg description	Regd no	<b>F12</b>
------------	--------	---------	-------------	-----------------	---------	------------

93903

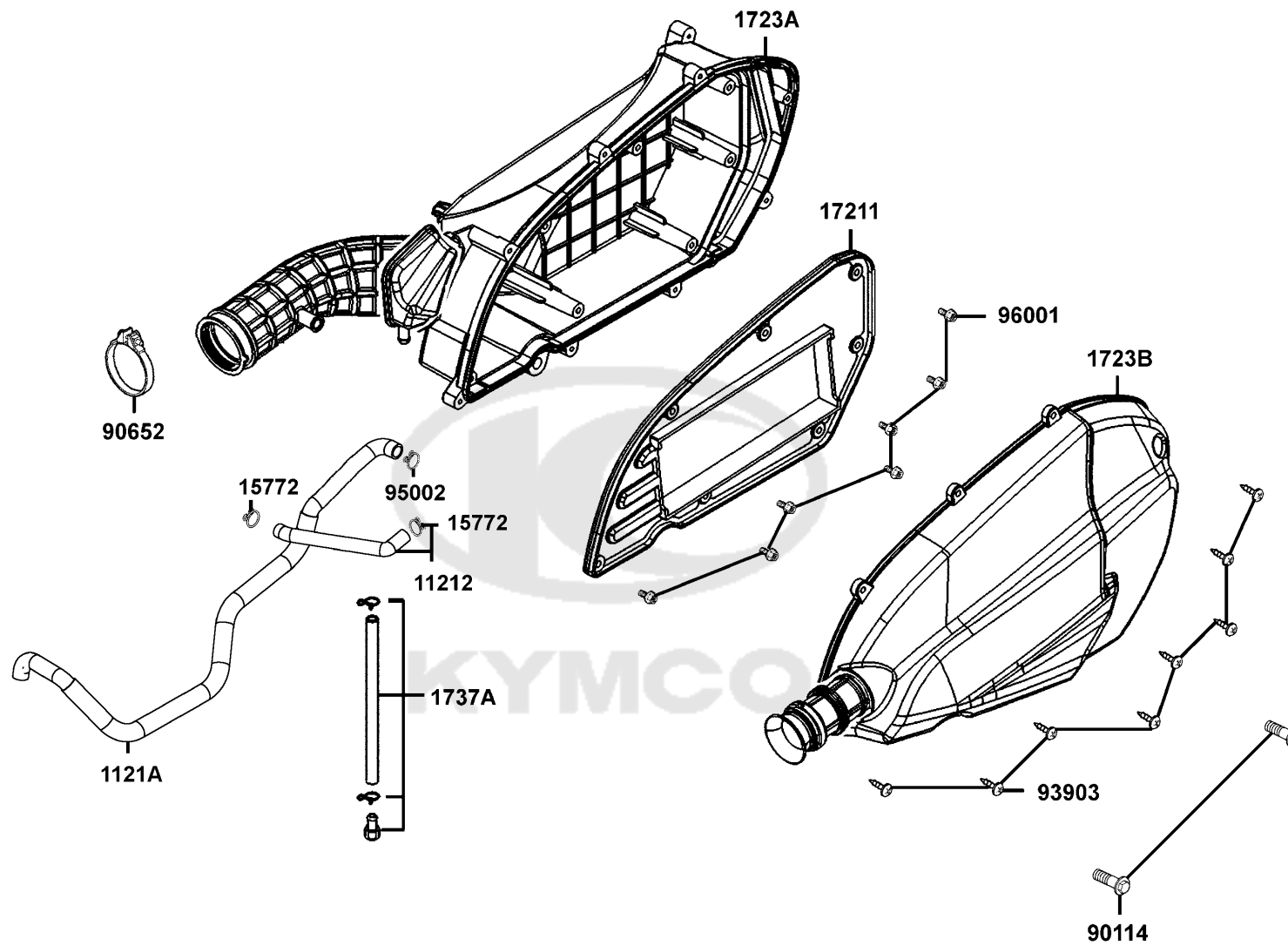
93903-GFY6-900

SCREW TAPP 4\*14

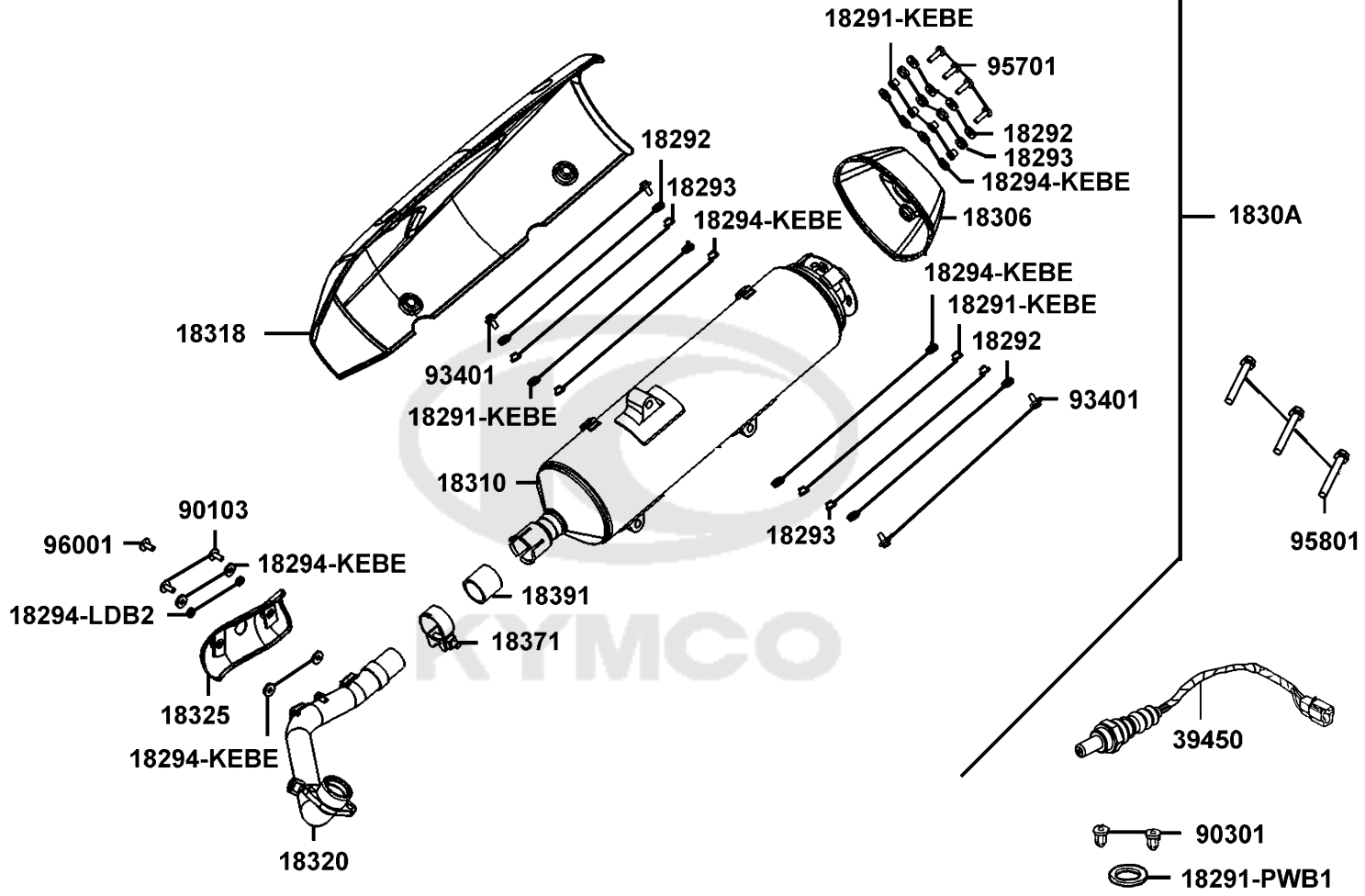
SCREW TAPP 4\*14

2

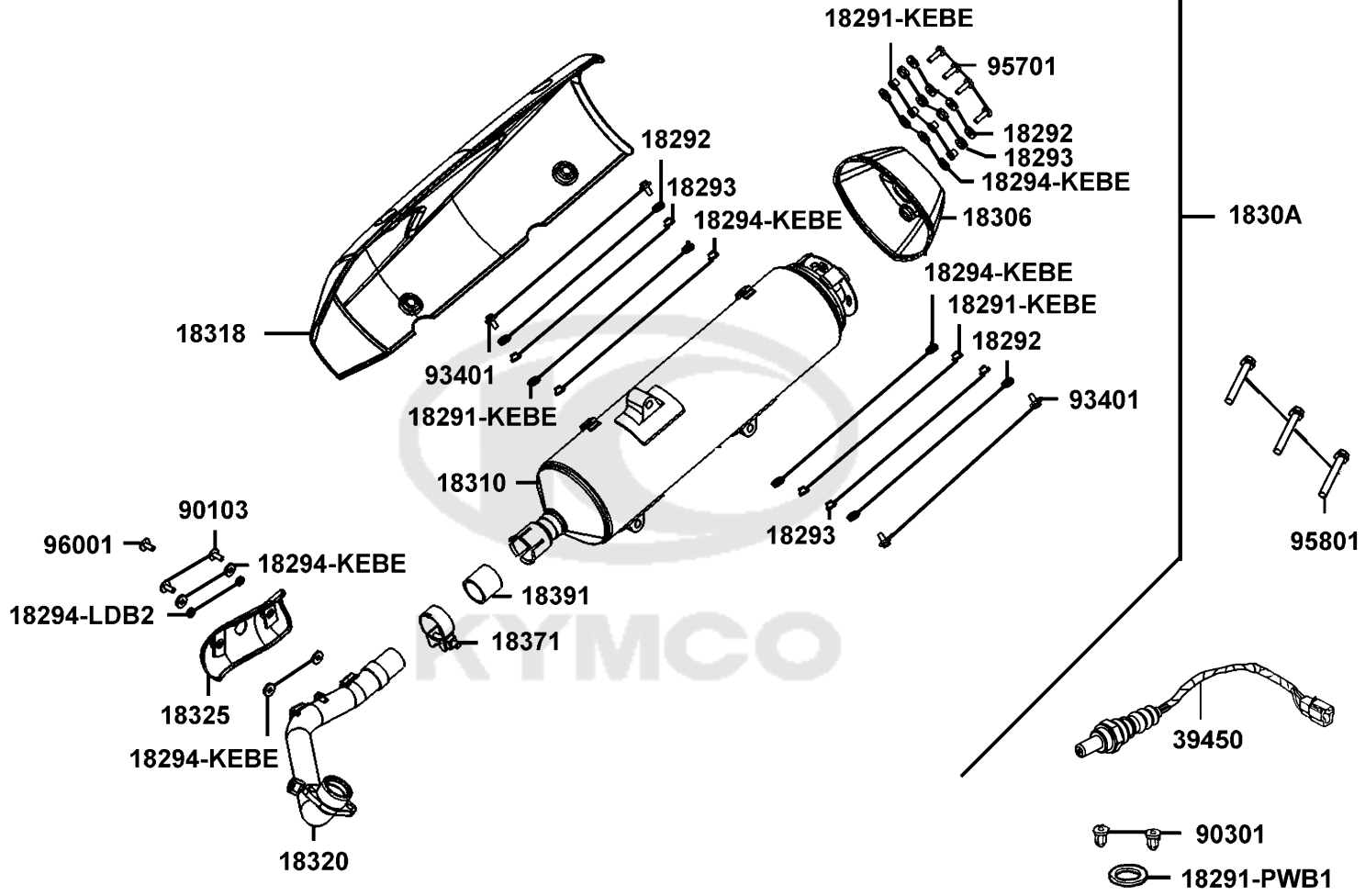




Sales mark	Ref no	Part no	Description	Reg description	Regd no	<b>F13</b>
11212		11212-LEA7-E00	TUBE AIR/C BLOW BY	TUBE AIR/C BLOW BY	1	
1121A		1121A-LEA7-E00	TUBE BREATHER	TUBE BREATHER	1	
15772		15772-5L00-013	CLIP BREATHER PIPE	CLIP BREATHER PIPE	2	
17211		17211-LEA7-E00	ELEMENT AIR/C	ELEMENT AIR/C	1	
1723A		1723A-LEA7-E00	CASE ASSY AIR/C	CASE ASSY AIR/C	1	
1723B		1723B-LEA7-E00	COVER COMP AIR/C	COVER COMP AIR/C	1	
1737A		1737A-KUDU-900	V TUBE ASSY	V TUBE ASSY	1	
90114		90114-GDM4-011	BOLT FLANGE SH 6*28	BOLT FLANGE SH 6*28	2	
90652		90652-KHE7-900	BAND CONNECTING TUBE	BAND CONNECTING TUBE	1	
93903		93903-25460	SCREW TAPPING 5*20	SCREW TAPPING 5*20	8	
95002		95002-02150	CLIP B14.5 TUBE	CLIP B14.5 TUBE	2	
96001		96001-GFY6-900	BOLT SPECIAL 5*10	BOLT SPECIAL 5*10	7	



Sales mark	Ref no	Part no	Description	Reg description	Regd no	F14
	18291-KEBE	18291-KEBE-900	COLLAR	COLLAR	6	
	18291-PWB1	18291-PWB1-900	SEAL EXHAUST PIPE	SEAL EXHAUST PIPE	1	
	18292	18292-KEBE-900	PACKING PROTECTOR	PACKING PROTECTOR	8	
	18293	18293-KEBE-900	RUBBER PKG PROTECTOR	RUBBER PKG PROTECTOR	8	
	18294-KEBE	18294-KEBE-900	PACKING PROTECTOR	PACKING PROTECTOR	10	
	18294-LDB2	18294-LDB2-900	PACKING INNER PROTECTOR	PACKING INNER PROTECTOR	2	
**	18306	18306-LEA7-E00	TAIL CAP MUFFLER	TAIL CAP MUFFLER	1	
**	1830A	1830A-LEA7-E00	MUFFLER ASSY EXH	MUFFLER ASSY EXH	1	
	18310	18310-LEA7-E00	MUFFLER COMP	MUFFLER COMP	1	
**	18318	18318-LEA7-E00	PROTECTOR MUFFLER	PROTECTOR MUFFLER	1	
	18320	18320-LEA7-E00	PIPE EXHAUST	PIPE EXHAUST	1	
**	18325	18325-LEA7-E00	PROTECTOR EXHAUST	PROTECTOR EXHAUST	1	
	18371	18371-LEA7-E00	BAND MUFFLER	BAND MUFFLER	1	
	18391	18391-LEA7-E00	GASKET	GASKET	1	
	39450	39450-LDF2-800	O2 SENSOR	O2 SENSOR	1	
	96001	90101-LEA7-E00	BOLT FLANGE	BOLT FLANGE	1	
	90103	90103-LEA7-E00	BOLT FLANGE SH 6X16	BOLT FLANGE SH 6X16	2	
	90301	90301-GFY6-901	NUT (HEX) CAP 8MM	NUT (HEX) CAP 8MM	2	
	93401	93401-06020-07	BOLT WASHER 6*20	BOLT WASHER 6*20	4	
	95701	95701-06022-06	BOLT FLANGE 6*22	BOLT FLANGE 6*22	4	



Sales mark	Ref no	Part no	Description	Reg description	Regd no	<b>F14</b>
------------	--------	---------	-------------	-----------------	---------	------------

95801

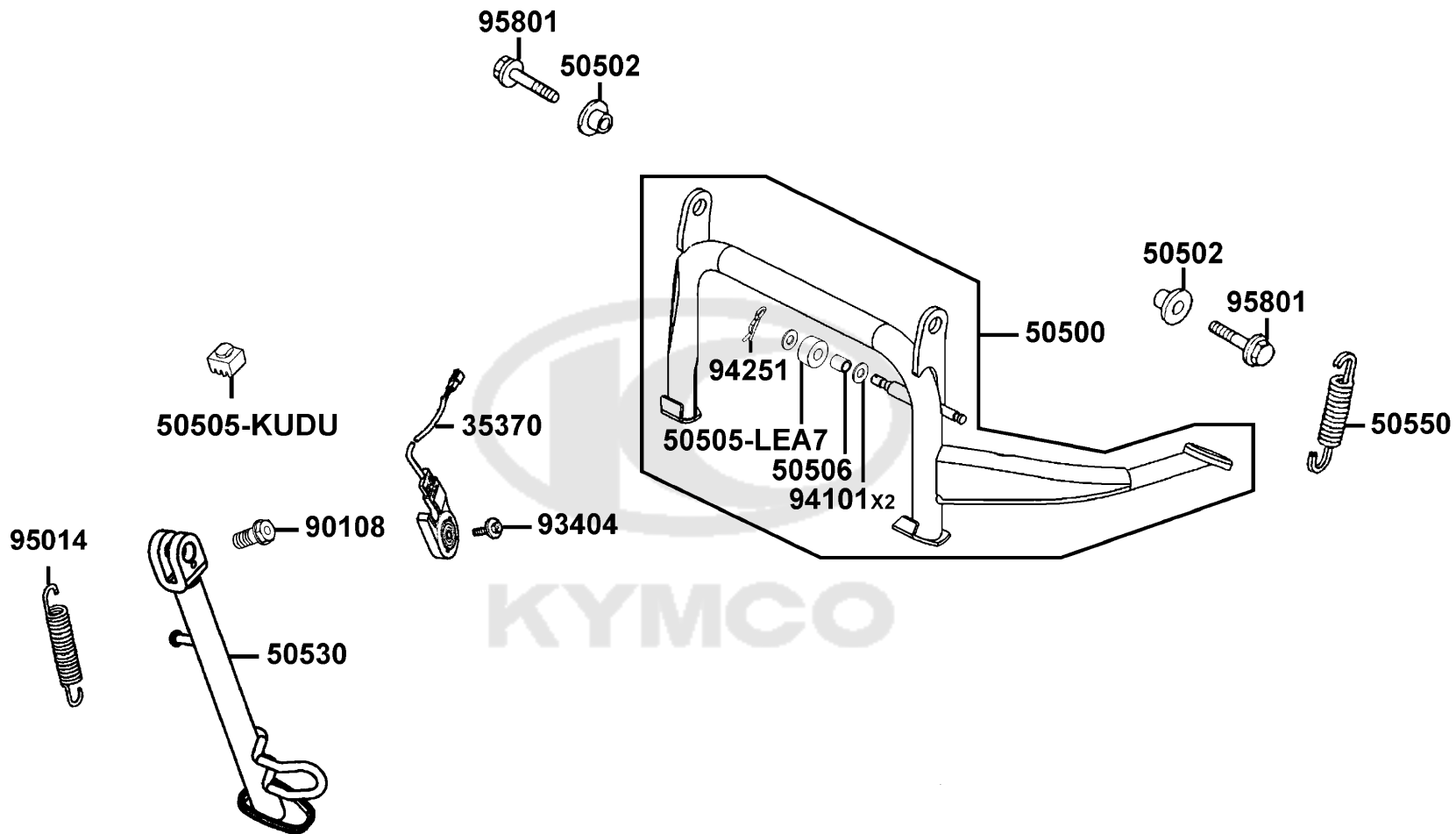
95801-10060-06

BOLT FLANGE 10\*60

BOLT FLANGE 10\*60

3



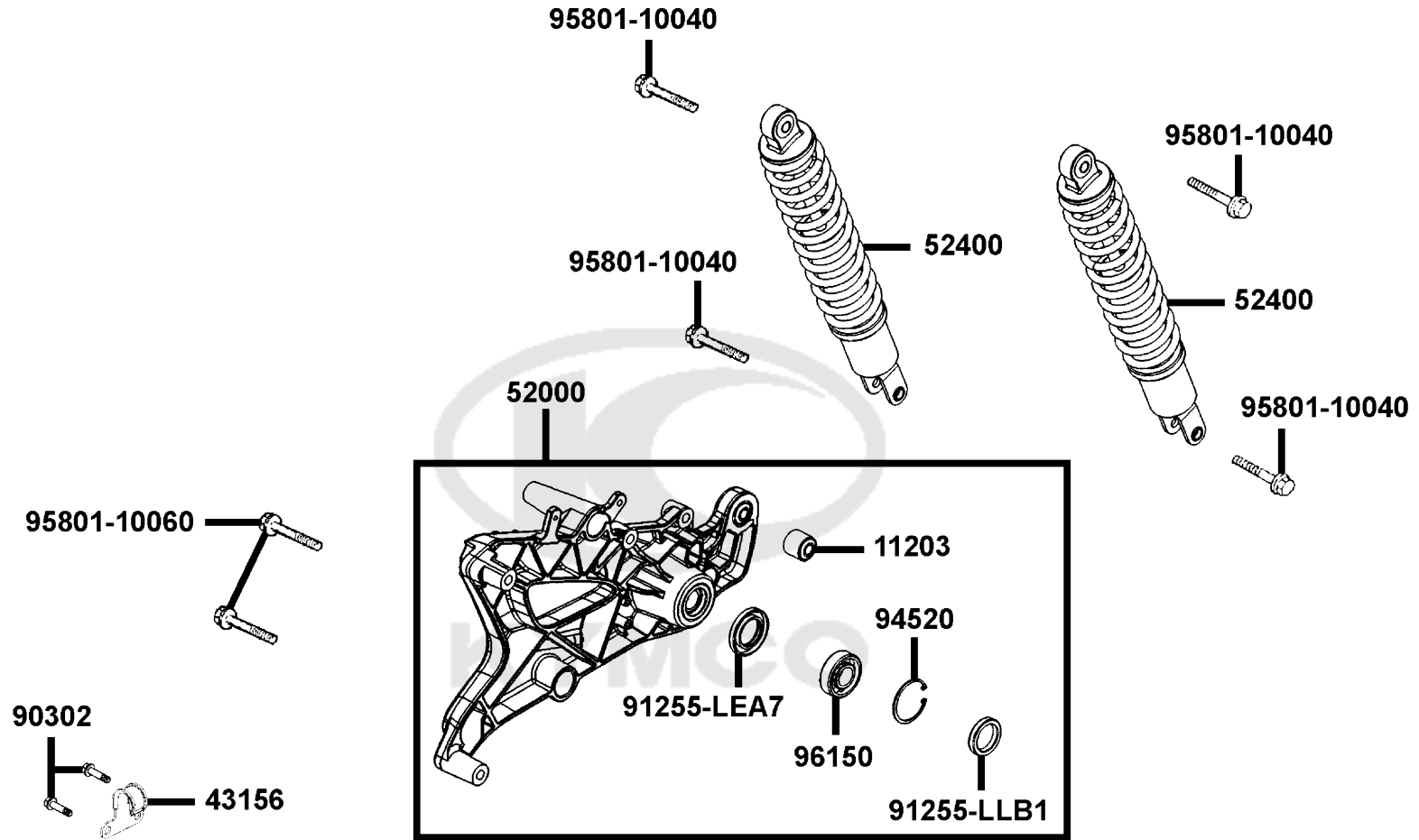




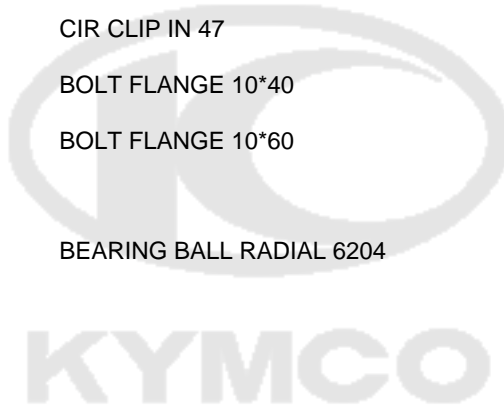
Sales mark	Ref no	Part no	Description	Reg description	Regd no	F15
35370		35370-LLJ3-E00	SW UNIT SIDE STAND	SW UNIT SIDE STAND	1	
50500		50500-LEA7-E05	STAND COMP., MAIN	STAND COMP., MAIN	1	
50502		50502-LDF7-E10	COLLAR MAIN STAND	COLLAR MAIN STAND	2	
50505-KUDU		50505-KUDU-900	STOPPER RUBBER STAND	STOPPER RUBBER STAND	1	
50505-LEA7		50505-LEA7-E00	STOPPER RUBBER	STOPPER RUBBER	1	
50506		50506-KHE7-E00	COLLAR STOPPER RUBBER	COLLAR STOPPER RUBBER	1	
50530		50530-LEA7-E05	STAND COMP..SIDE	STAND COMP..SIDE	1	
50550		50550-KKC2-E00	SPRING ASSY MAIN STAND	SPRING ASSY MAIN STAND	1	
90108		90108-KKC4-900	SCREW SIDE STAND PIVOT	SCREW SIDE STAND PIVOT	1	
93404		93404-06016-06	BOLT WASHER 6*16	BOLT WASHER 6*16	1	
94101		94101-08600	WASH PLAIN 8MM	WASH PLAIN 8MM	2	
94251		94251-08400	PIN LOCK 8MM	PIN LOCK 8MM	1	
95014		95014-72204	SPRING B1 SIDE STAND	SPRING B1 SIDE STAND	1	
95801		95801-10030-06	BOLT FLANGE 10*30	BOLT FLANGE 10*30	2	

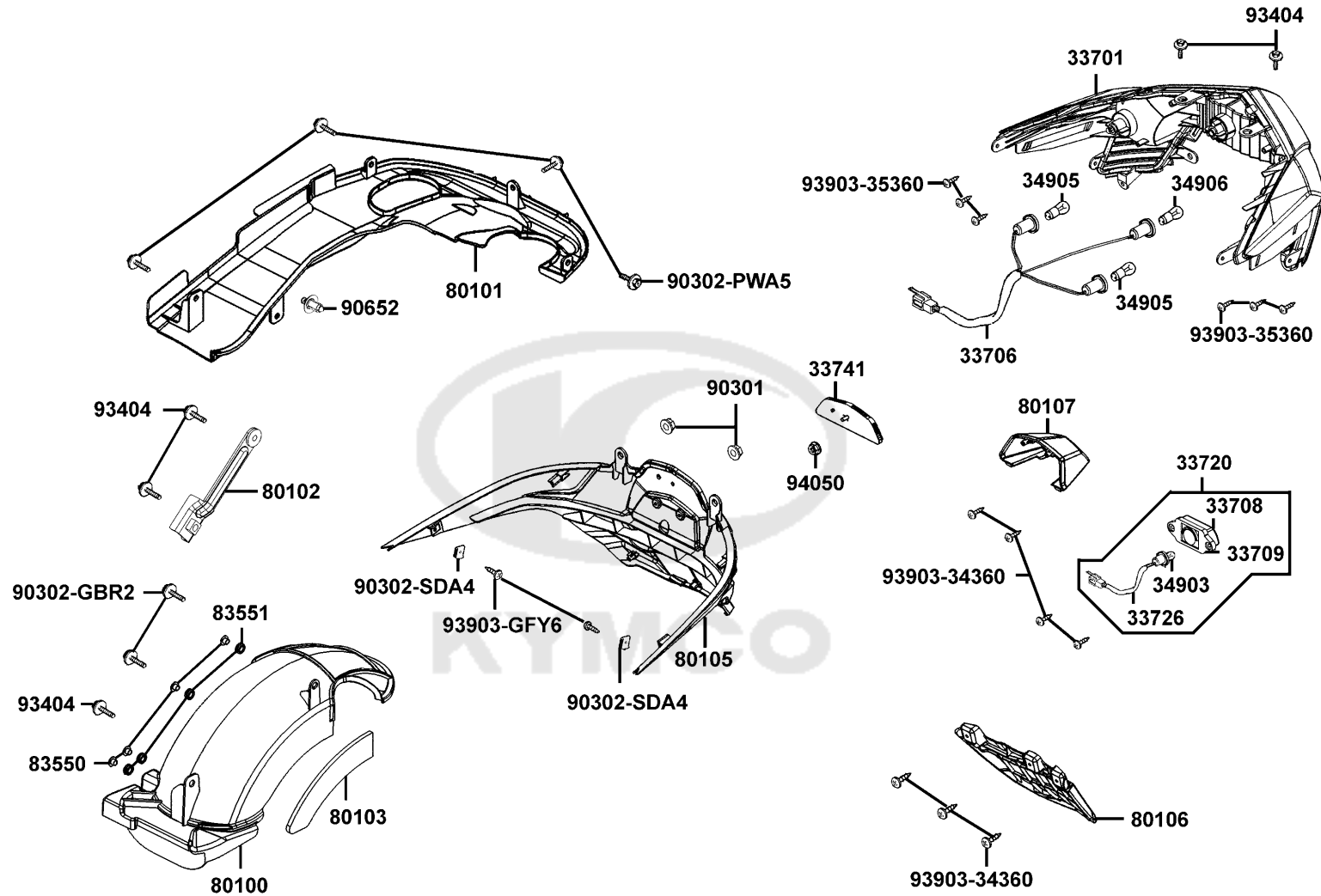
F16

Rr Cushion

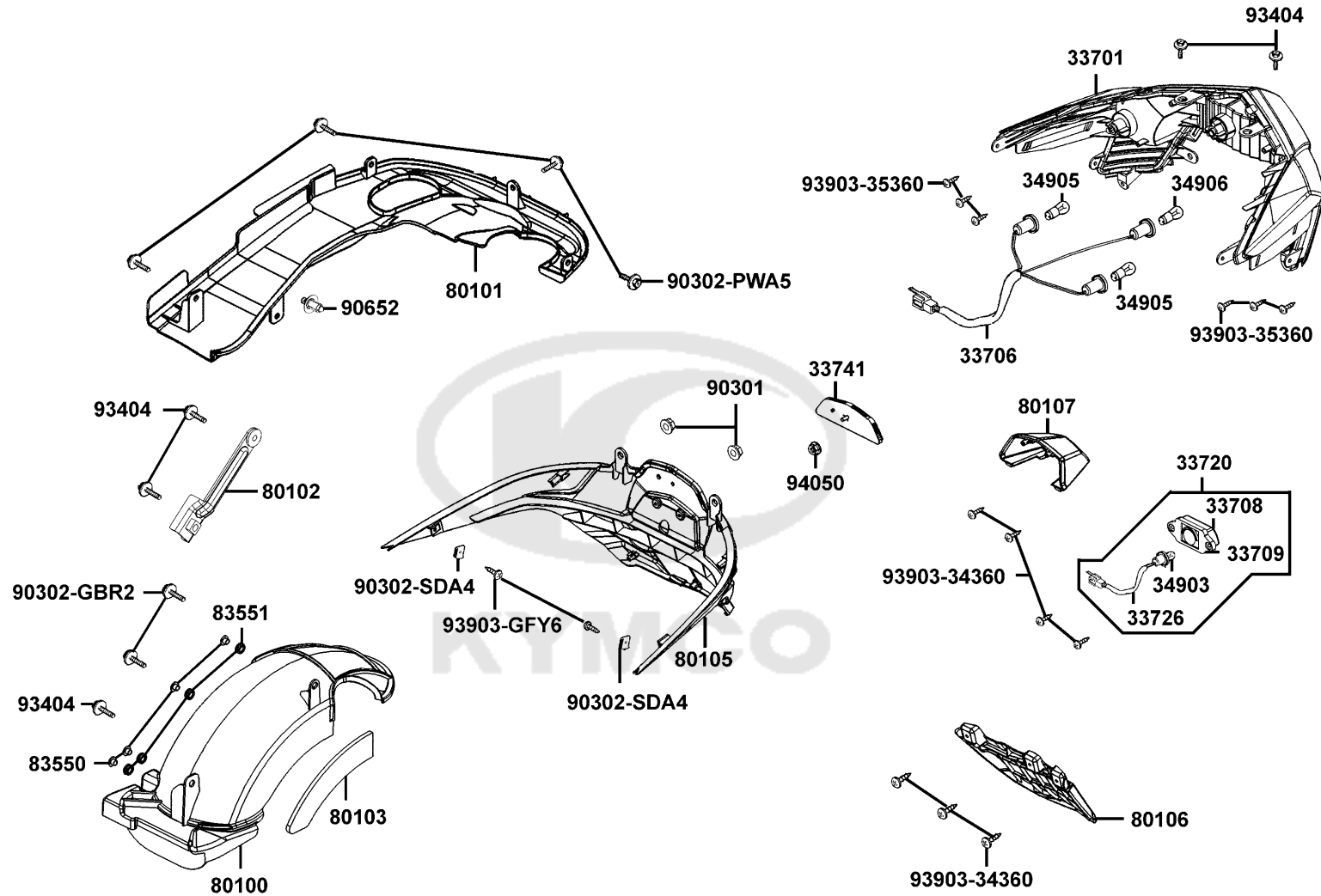


Sales mark	Ref no	Part no	Description	Reg description	Regd no	<b>F16</b>
	11203	11203-LBA2-E00	RUB BUSH L CASE	RUB BUSH L CASE	1	
	43156	43156-LEA7-E00	CLAMPER HOSE RR	CLAMPER HOSE RR	1	
**	52000	52000-LEA7-E00	FORK ASSY. RR	FORK ASSY. RR	1	
**	52400	52400-LEA7-E00	CUSHION ASSY RR	CUSHION ASSY RR	2	
	90302	90302-LLB1-E00	BOLT WASH 5*12	BOLT WASH 5*12	2	
	91255-LEA7	91255-LEA7-E00	OIL SEAL 30*50*7	OIL SEAL 30*50*7	1	
	91255-LLB1	91255-LLB1-900	OIL SEAL 30*40*7	OIL SEAL 30*40*7	1	
	94520	94520-47000	CIR CLIP IN 47	CIR CLIP IN 47	1	
	95801-10040	95801-10040-02	BOLT FLANGE 10*40	BOLT FLANGE 10*40	4	
	95801-10060	95801-10060-06	BOLT FLANGE 10*60	BOLT FLANGE 10*60	2	
	96150	96150-62040-10	BEARING BALL RADIAL 6204	BEARING BALL RADIAL 6204	1	

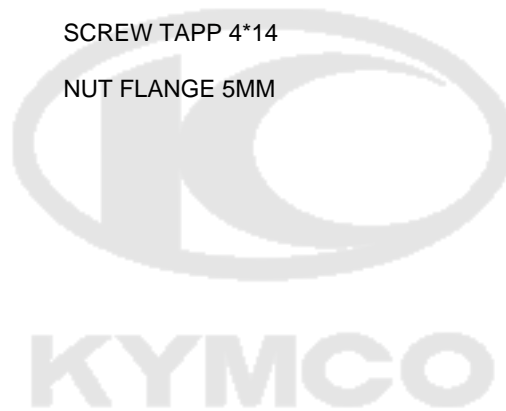


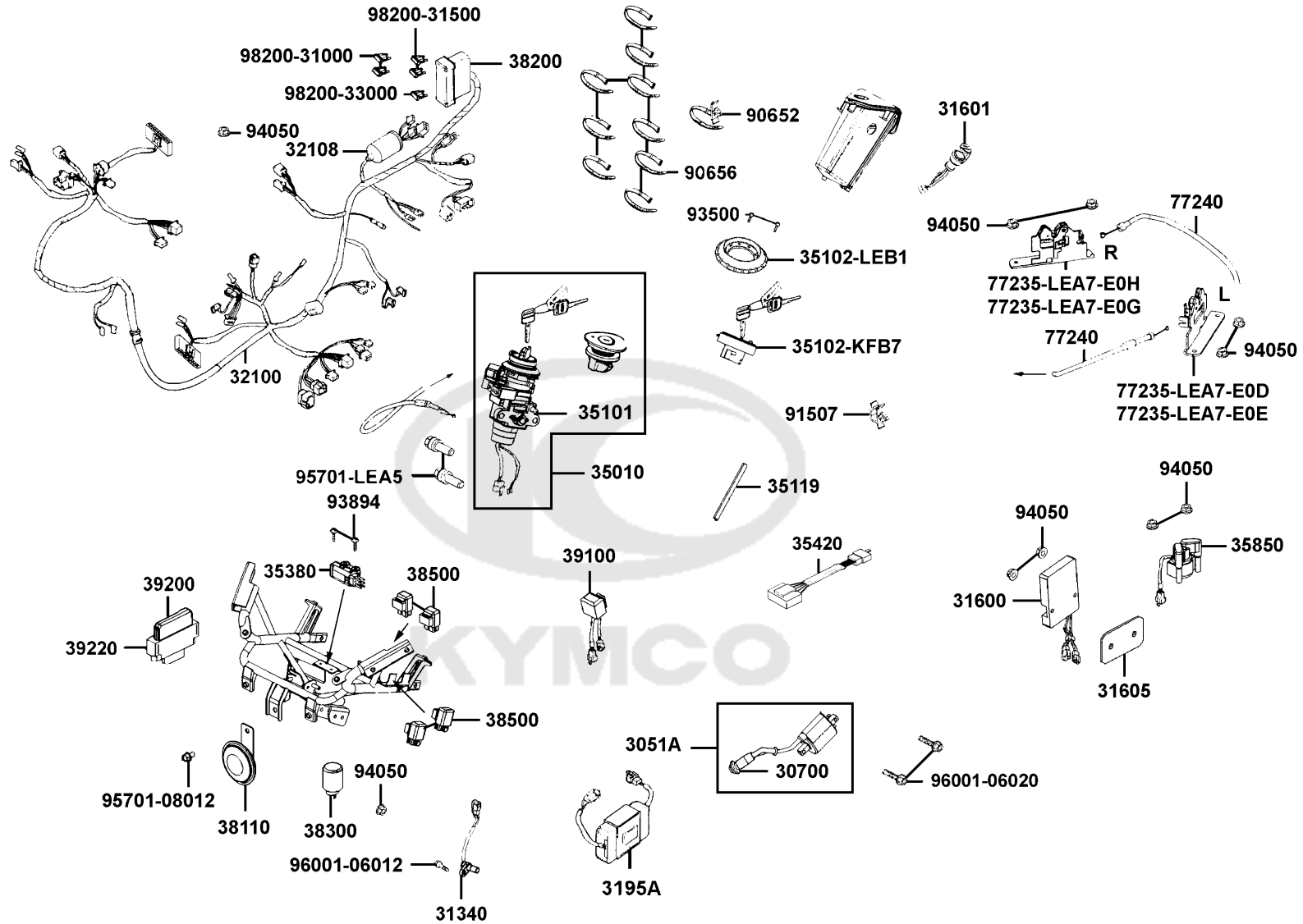


Sales mark	Ref no	Part no	Description	Reg description	Regd no	F17
	33701	33701-LEA7-E00	UNIT TAIL LIGHT	UNIT TAIL LIGHT	1	
	33706	33706-LEA7-E00	SOCKET COMP TAIL LIGHT	SOCKET COMP TAIL LIGHT	1	
	33708	33708-KHE7-E00	LENS LICENSE	LENS LICENSE	1	
	33709	33709-KHE7-E00	BASE LICENSE	BASE LICENSE	1	
	33720	33720-LBB5-E00	LIGHT ASSY LICENSE	LIGHT ASSY LICENSE	1	
	33726	33726-LBB5-E00	SCOKET COMP	SCOKET COMP	1	
	33741	33741-LEA7-E00	REFLEX REFLECTOR	REFLEX REFLECTOR	1	
	34903	34903-KPCP-900	BULB POSITION	BULB POSITION	1	
	34905	34905-LCA5-E00	BULB WINKER	BULB WINKER	2	
	34906	34906-KPCP-900	BULB TAIL & STOP 12V21W/5W	BULB TAIL & STOP 12V21W/5W	1	
**	80100	80100-LEA7-E00	FENDER RR TIRE	FENDER RR TIRE	1	
**	80101	80101-LEA7-E00	FENDER RR INNER	FENDER RR INNER	1	
	80102	80102-LEA7-E00	STAY RR TIRE FENDER	STAY RR TIRE FENDER	1	
	80103	80103-LEA7-E00	SPONGE TAPE FENDER	SPONGE TAPE FENDER	1	
**	80105	80105-LEA7-E00	FENDER RR	FENDER RR	1	
**	80106	80106-LEA7-E00	FENDER LOW RR	FENDER LOW RR	1	
**	80107	80107-LEA7-E00	COVER LICENSE LIGHT	COVER LICENSE LIGHT	1	
	83550	83550-KEC8-900	COLLAR	COLLAR	4	
	83551	83551-KEC8-900	GROMMET COVER	GROMMET COVER	4	
	90301	90301-6D34-671	NUT FLANGE 6MM	NUT FLANGE 6MM	2	



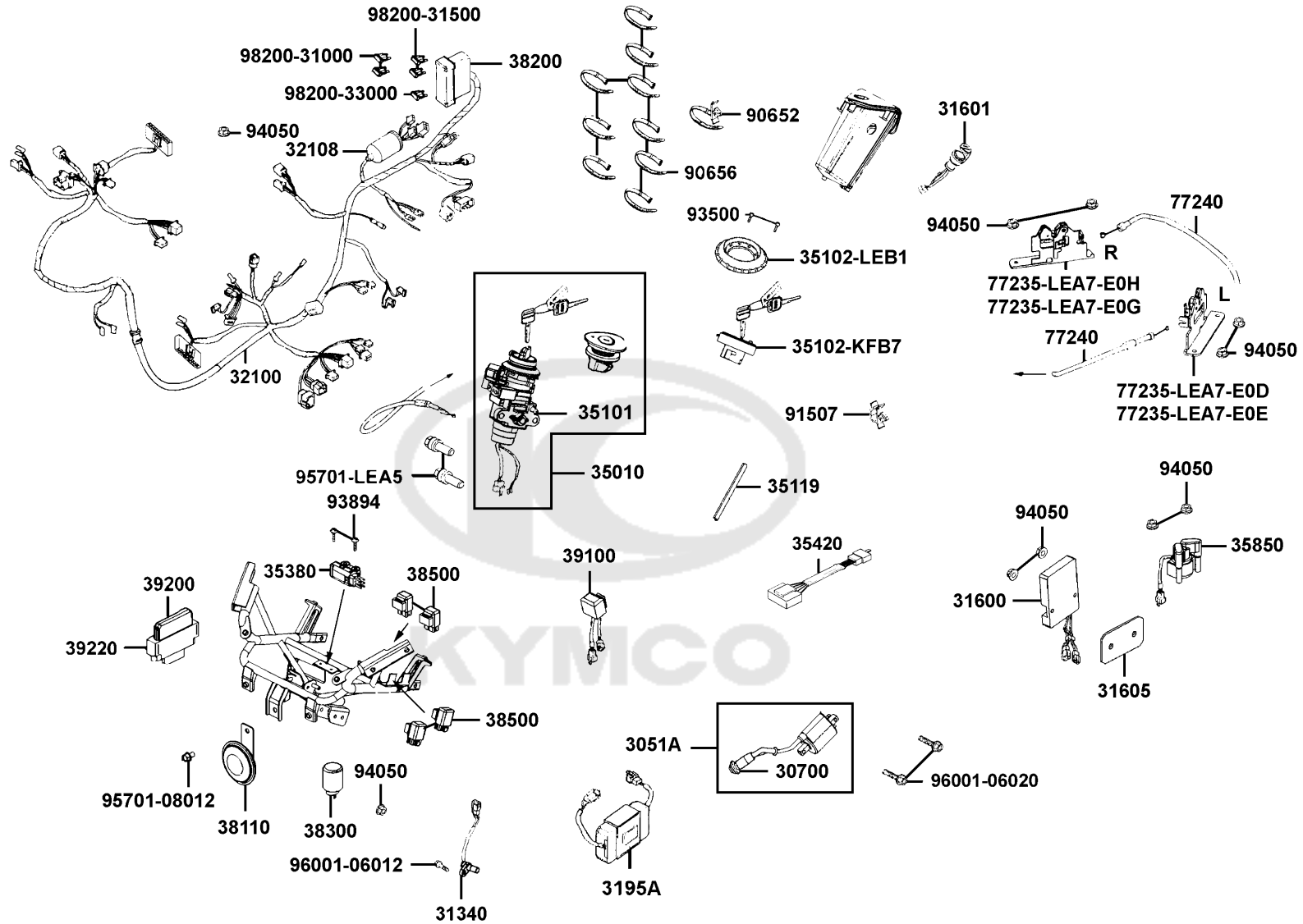
Sales mark	Ref no	Part no	Description	Reg description	Regd no	F17
	90302-GBR2	90302-GBR2-001	BOLT WASHER 5*16	BOLT WASHER 5*16	2	
	90302-PWA5	90302-PWA5-900	BOLT-WASH 5*12	BOLT-WASH 5*12	4	
	90302-SDA4	90302-SDA4-004	NUT SPRING 4MM	NUT SPRING 4MM	2	
	90652	90652-LCA4-E00	CLIP MUDGUARD	CLIP MUDGUARD	1	
	93404	93404-06016-06	BOLT WASHER 6*16	BOLT WASHER 6*16	5	
	93903-34360	93903-34360	SCREW TAPPING 4*12	SCREW TAPPING 4*12	7	
	93903-35360	93903-35360	SCREW TAPPING 5*16	SCREW TAPPING 5*16	8	
	93903-GFY6	93903-GFY6-900	SCREW TAPP 4*14	SCREW TAPP 4*14	2	
	94050	94050-05080	NUT FLANGE 5MM	NUT FLANGE 5MM	1	



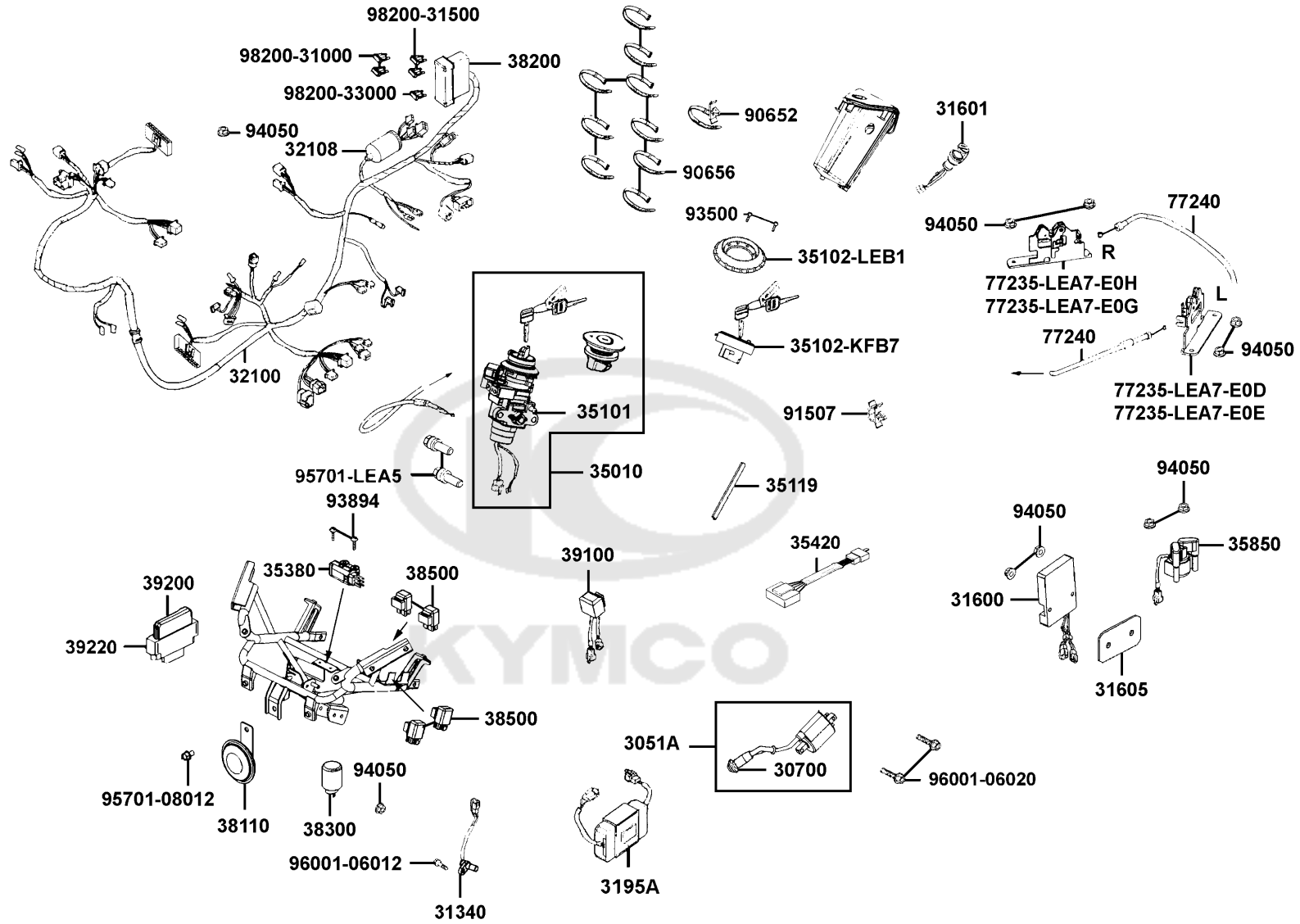




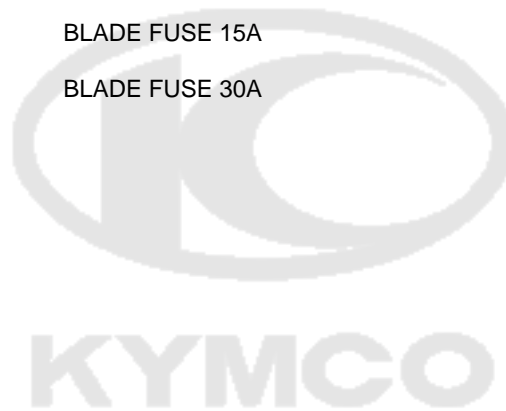
Sales mark	Ref no	Part no	Description	Reg description	Regd no	<b>F18</b>
3051A		3051A-LDF2-900	COIL ASSY IGNITION	COIL ASSY IGNITION	1	
30700		30700-KFC8-E0H	CAP ASSY NOISE SUPPRESOR	CAP ASSY NOISE SUPPRESOR	1	
31340		31340-LEA7-E00	SENSOR FR WHEEL SPEED	SENSOR FR WHEEL SPEED	1	
31600		31600-KED9-900	REG REC COMP	REG REC COMP	1	
31601		31601-LEA7-E00	SOCKET COMP..DC 12V	SOCKET COMP..DC 12V	1	
31605		31605-KKE5-E00	STAY, REG REC COMP	STAY, REG REC COMP	1	
3195A		3195A-LEA7-E05	HAZARD CONTROL ASSY	HAZARD CONTROL ASSY	1	
32100		32100-LEA7-E05	HARNES WIRE	HARNES WIRE	1	
32108		32108-KXCX-E00	COVER COUPLER 6P F	COVER COUPLER 6P F	1	
35010		35010-LEA7-335-M1	KEY SET COMB	KEY SET COMB	1	
35010		35010-LEA7-335-M2	KEY SET COMB	KEY SET COMB	1	
35101		35101-LEA7-335-M1	SW SET COMB & LOCK / D206	SW SET COMB & LOCK / D206	1	
35101		35101-LEA7-335-M2	SW SET COMB & LOCK / D106	SW SET COMB & LOCK / D106	1	
35102-KFB7		35102-KFB7-305-M1	SHUTTER MAGNETIC LOCK SET	SHUTTER MAGNETIC LOCK SET	1	
35102-KFB7		35102-KFB7-305-M2	SHUTTER MAGNETIC LOCK SET	SHUTTER MAGNETIC LOCK SET	1	
35102-LEB1		35102-LEB1-90A	COLLAR MAIN SW	COLLAR MAIN SW	1	
35102-LEB1		35102-LEB1-90B	COLLAR MAIN SW	COLLAR MAIN SW	1	
35119		35119-LEB1-90A	COVER SEAT CABLE	COVER SEAT CABLE	1	
35119		35119-LEB1-90B	COVER SEAT CABLE	COVER SEAT CABLE	1	
35380		35380-LDF2-900	SENSOR ANGLE DETECT	SENSOR ANGLE DETECT	1	

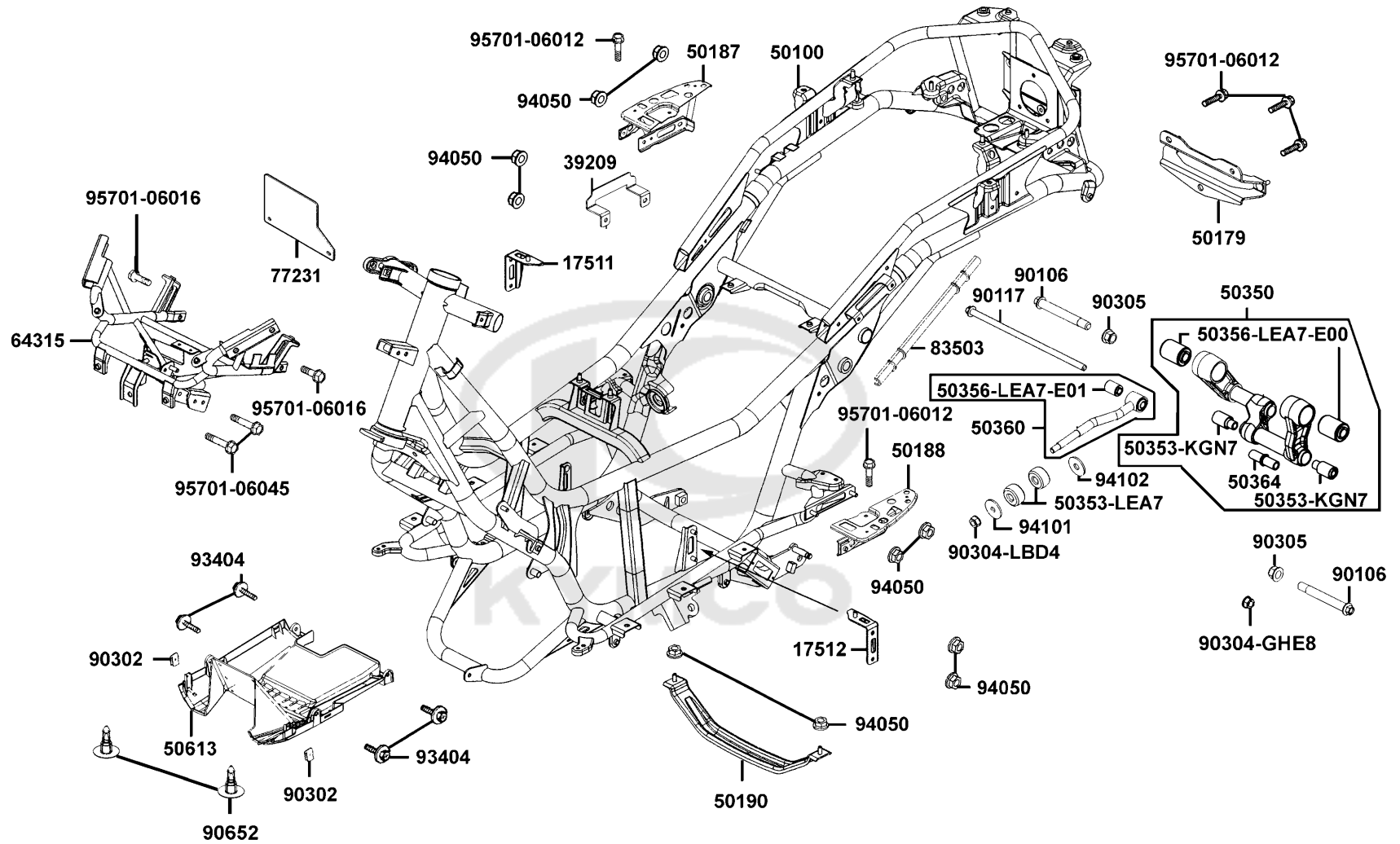


Sales mark	Ref no	Part no	Description	Reg description	Regd no	<b>F18</b>
	35420	35420-LEA7-E00	CONTROLLER OIL LAMP	CONTROLLER OIL LAMP	1	
	35850	35850-KHB4-90A	SET START MAG	SET START MAG	1	
	35850	35850-KHB4-90B	SET START MAG	SET START MAG	1	
	38110	38110-KKC3-90B	HORN COMP	HORN COMP	1	
	38200	38200-KHE7-900	BOX COMP FUSE	BOX COMP FUSE	1	
	38300	38300-LEA7-E00	RELAY COMP WINKER	RELAY COMP WINKER	1	
	38500	38500-LGL3-90A	RELAY ASSY LIGHT/D402	RELAY ASSY LIGHT/D402	1	
	38500	38500-LGL3-90D	RELAY COMP. START	RELAY COMP. START	1	
	39100	39100-LEA7-E00	EMI FILTER FAN MOTOR	EMI FILTER FAN MOTOR	1	
	39200	39200-LEA7-E05	ECU. M1 4 STROKE-P1	ECU. M1 4 STROKE-P1	1	
	39220	39220-LDF2-900	CUSHION CASE ECU	CUSHION CASE ECU	1	
	77235-LEA7-E0D	77235-LEA7-E0D	SEAT CATCH	SEAT CATCH	1	
	77235-LEA7-E0E	77235-LEA7-E0E	SEAT CATCH	SEAT CATCH	1	
	77235-LEA7-E0G	77235-LEA7-E0G	SEAT CATCH	SEAT CATCH	1	
	77235-LEA7-E0H	77235-LEA7-E0H	SEAT CATCH	SEAT CATCH	1	
	77240	77240-LEA7-E00	CABLE.SEAT LOCK	CABLE.SEAT LOCK	1	
	90652	90652-LGL7-E00	CLIP 8*120	CLIP 8*120	1	
	90656	90656-KCBC-900	BAND OIL HANDLE	BAND OIL HANDLE	9	
	91507	91507-LEA7-E00	CLIP	CLIP	1	
	93500	93500-KHC4-90A	SCREW PAN 5*10	SCREW PAN 5*10	2	

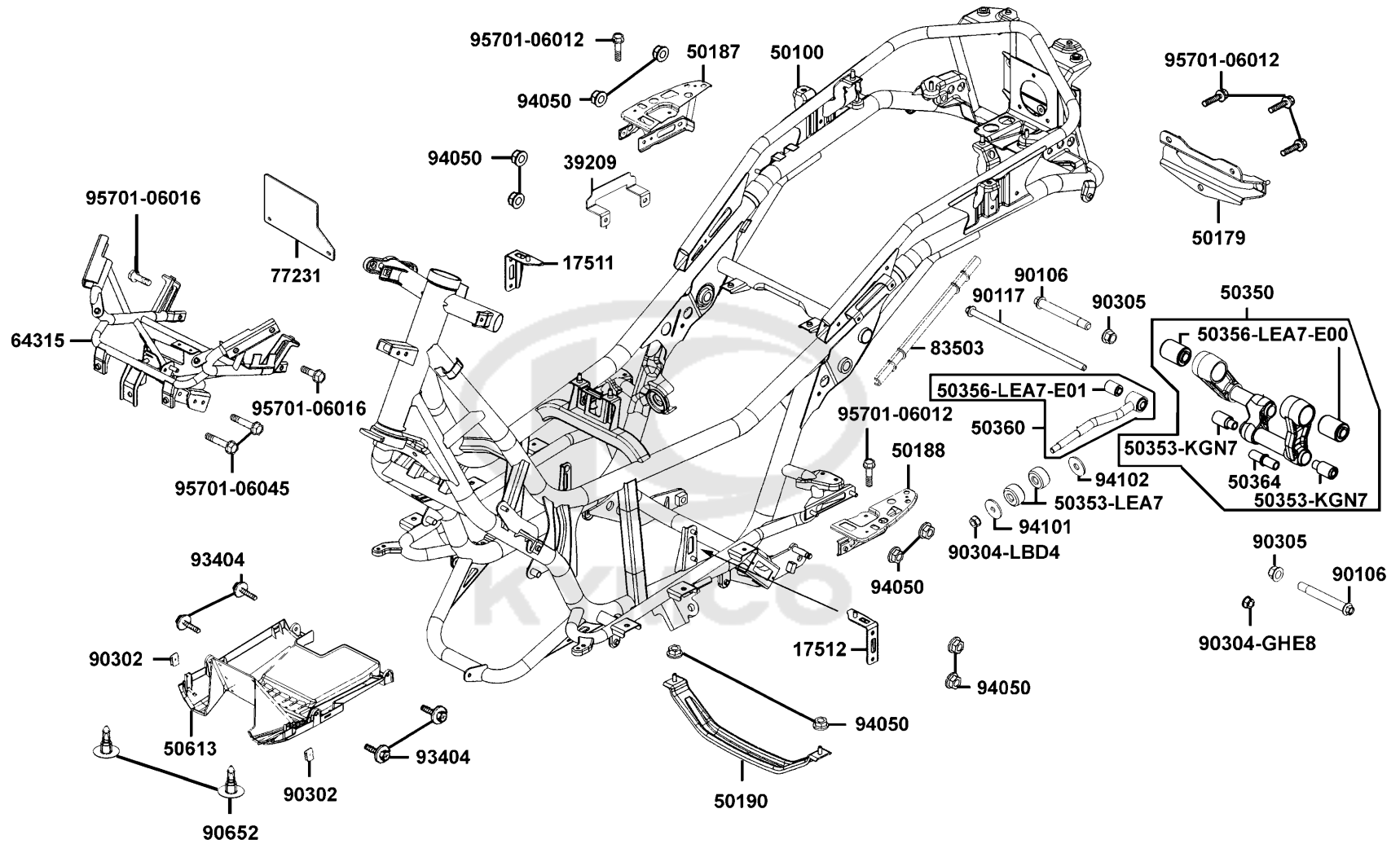


Sales mark	Ref no	Part no	Description	Reg description	Regd no	F18
93894		93894-04022-08	SCREW WASHER 4*22	SCREW WASHER 4*22	2	
94050		94050-06080	NUT FLANGE 6MM	NUT FLANGE 6MM	10	
95701-08012		95701-08012-08	BOLT FLANGE 8X12	BOLT FLANGE 8X12	1	
95701-LEA5		95701-LEA5-E00	BOLT TORQUE 8*25	BOLT TORQUE 8*25	2	
96001-06012		96001-06012-06	BOLT FLANGE SH6*12	BOLT FLANGE SH6*12	2	
96001-06020		96001-06020-08	BOLT FLANGE SH 6*20	BOLT FLANGE SH 6*20	2	
98200-31000		98200-31000	BLADE FUSE 10A	BLADE FUSE 10A	2	
98200-31500		98200-31500	BLADE FUSE 15A	BLADE FUSE 15A	2	
98200-33000		98200-33000	BLADE FUSE 30A	BLADE FUSE 30A	1	



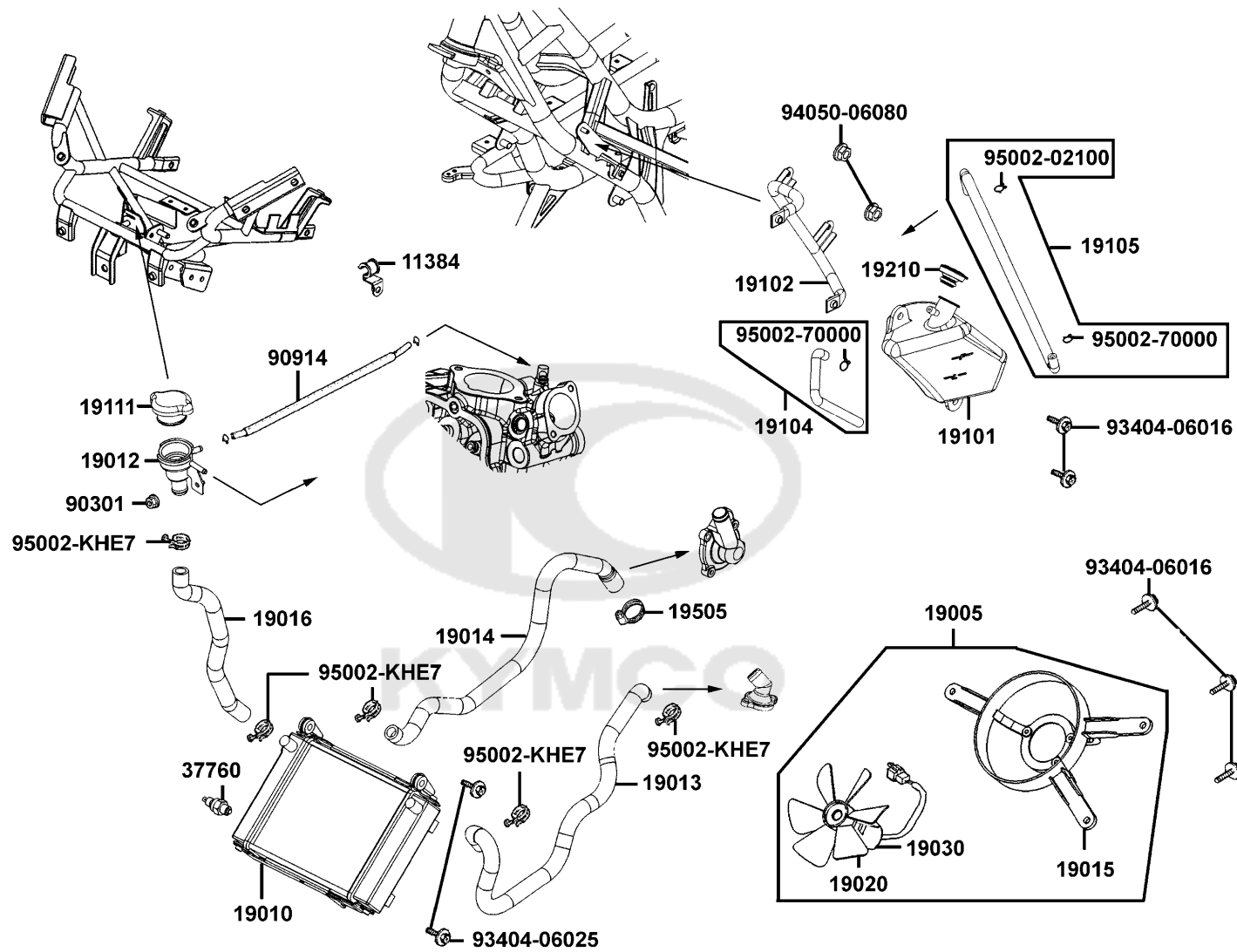


Sales mark	Ref no	Part no	Description	Reg description	Regd no	<b>F19</b>
	17511	17511-LEA7-E00	STAY R FUEL TANK	STAY R FUEL TANK	1	
	17512	17512-LEA7-E00	STAY L FUEL TANK	STAY L FUEL TANK	1	
	39209	39209-LEA7-E00	STAY ECU	STAY ECU	1	
	50100	50100-LEA7-E00	BODY COMP.,FRAME	BODY COMP.,FRAME	1	
	50179	50179-LEA7-E00	STAY RR FENDER UP	STAY RR FENDER UP	1	
	50187	50187-LEA7-E00	STAY R RR STEP	STAY R RR STEP	1	
	50188	50188-LEA7-E00	STAY L RR STEP	STAY L RR STEP	1	
	50190	50190-LEA7-E00	PROTECTOR UNDER COVER	PROTECTOR UNDER COVER	1	
	50350	50350-LEA7-E00	HANGER ASSY ENG	HANGER ASSY ENG	1	
	50353-KGN7	50353-KGN7-901	BUSH A ENG HANGER	BUSH A ENG HANGER	2	
	50353-LEA7	50353-LEA7-E00	RUBBER STOPPER	RUBBER STOPPER	1	
	50356-LEA7-E00	50356-LEA7-E00	RUB BUSH ENG HANGER	RUB BUSH ENG HANGER	2	
	50356-LEA7-E01	50356-LEA7-E01	RUB BUSH ENG HANGER	RUB BUSH ENG HANGER	1	
	50360	50360-LEA7-E00	TIE ROD ASSY ENG HANGER	TIE ROD ASSY ENG HANGER	1	
	50364	50364-KHE7-E00	COLLAR B ENG HANGER	COLLAR B ENG HANGER	1	
**	50613	50613-LEA7-E00	COVER.UNDER	COVER.UNDER	1	
	64315	64315-LEA7-E00	BRKT.FR COVER	BRKT.FR COVER	1	
	77231	77231-LEA7-E00	STAY.SEAT CATCH	STAY.SEAT CATCH	1	
**	83503	83503-KHD6-900	COVER PROTECTOR SEAT WIRE	COVER PROTECTOR SEAT WIRE	1	
	90106	90106-LEA7-E00	BOLT FLANGE 15*118	BOLT FLANGE 15*118	2	





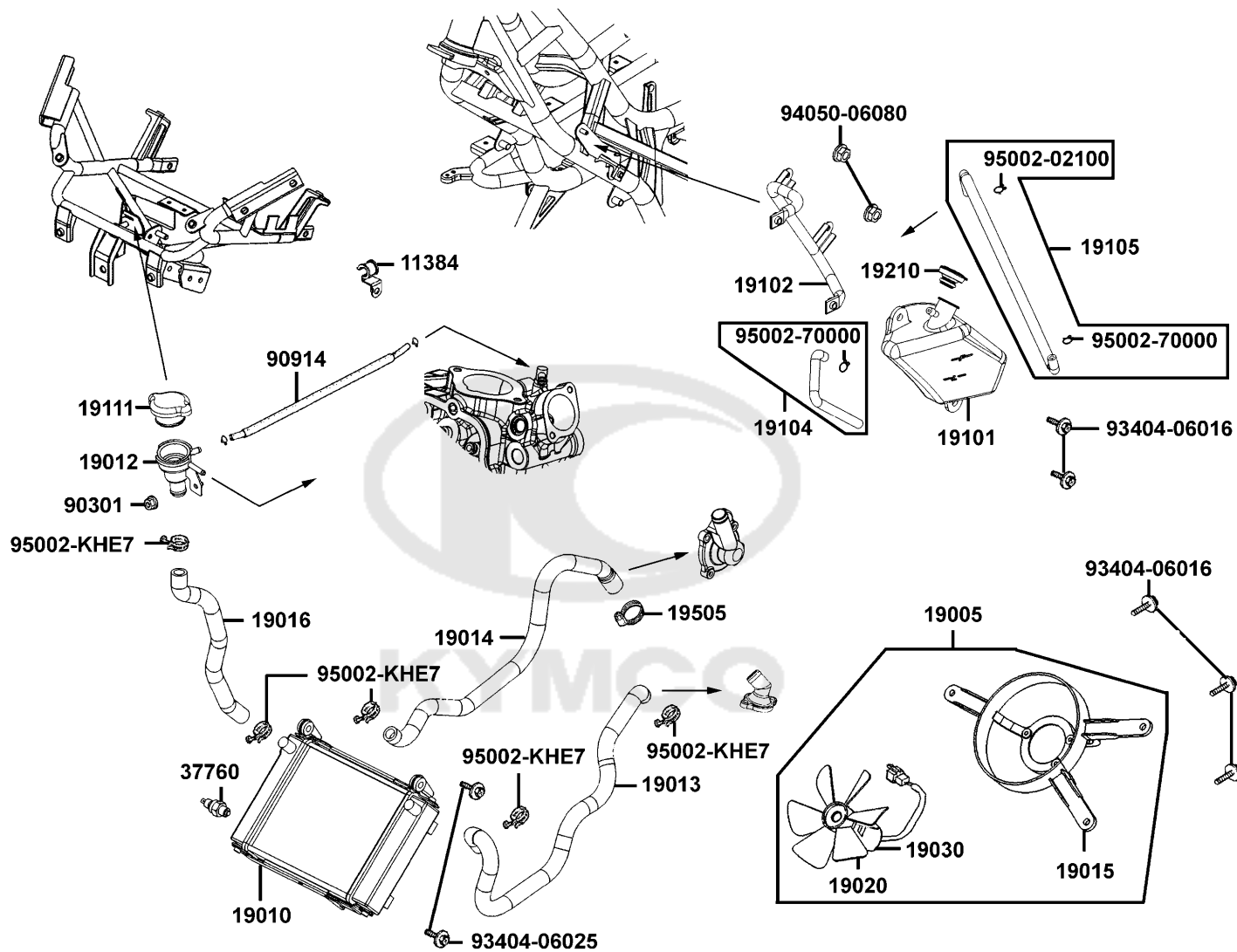
Sales mark	Ref no	Part no	Description	Reg description	Regd no	F19
90117		90117-KED9-900	BOLT FLANGE 10*265	BOLT FLANGE 10*265	1	
90302		90302-SDA4-004	NUT SPRING 4MM	NUT SPRING 4MM	2	
90304-GHE8		90304-GHE8-004	NUT U 10MM	NUT U 10MM	1	
90304-LBD4		90304-LBD4-900	NUT U FLANGE 10MM	NUT U FLANGE 10MM	1	
90305		90305-LBD4-900	NUT U 14MM	NUT U 14MM	2	
90652		90652-LCA4-E00	CLIP MUDGUARD	CLIP MUDGUARD	1	
93404		93404-06016-06	BOLT WASHER 6*16	BOLT WASHER 6*16	4	
94050		94050-06080	NUT FLANGE 6MM	NUT FLANGE 6MM	10	
94101		94101-LBA2-E00	WASHER PLAIN 10.5*38*3.0	WASHER PLAIN 10.5*38*3.0	1	
94102		94102-LBA2-E00	WASHER PLAIN 38*12.5*3	WASHER PLAIN 38*12.5*3	1	
95701-06012		95701-06012-08	BOLT FLANGE 6*12	BOLT FLANGE 6*12	5	
95701-06016		95701-06016-06	BOLT FLANGE 6*16	BOLT FLANGE 6*16	2	
95701-06045		95701-06045-08	BOLT FLANGE 6*45	BOLT FLANGE 6*45	2	




Sales mark	Ref no	Part no	Description	Reg description	Regd no	F20
11384		11384-LEA7-E05	CLIP WATER PIPE	CLIP WATER PIPE	1	
19005		19005-LFA7-E00	SHROUD ASSY	SHROUD ASSY	1	
19010		19010-LFA7-E00	RADIATOR COMP	RADIATOR COMP	1	
19012		19012-LEA7-E05	UNIT RADIATOR	UNIT RADIATOR	1	
19013		19013-LEA7-E00	HOSE WATER INLET	HOSE WATER INLET	1	
19014		19014-LEA7-E00	HOSE,WATER OUTLET	HOSE,WATER OUTLET	1	
19015		19015-LEA5-E00	SHROUD COMP	SHROUD COMP	1	
19016		19016-LEA7-E00	HOSE,WATER-UNIT CAP	HOSE,WATER-UNIT CAP	1	
19020		19020-KED9-900	FAN COOLING	FAN COOLING	1	
19030		19030-KHD8-900	MOTOR ASSY FAN	MOTOR ASSY FAN	1	
19101		19101-LEA7-E00	TANK RESERVE	TANK RESERVE	1	
19102		19102-LEA7-E00	STAY TANK REVERSE	STAY TANK REVERSE	1	
19104		19104-LBA2-E00	HOSE ASSY DRAIN	HOSE ASSY DRAIN	1	
19105		19105-LEA7-E00	HOSE ASSY RESERVE	HOSE ASSY RESERVE	1	
19111		19111-GBE2-004	CAP COMP	CAP COMP	1	
19210		19210-KKC4-900	CAP RESERVE TANK	CAP RESERVE TANK	1	
19505		19505-LBA2-E00	CLAMP WATER HOSE	CLAMP WATER HOSE	1	
37760		37760-KHD8-900	SW ASSY THERMO	SW ASSY THERMO	1	
90301		90301-6D34-671	NUT FLANGE 6MM	NUT FLANGE 6MM	1	
90914		90914-LEA7-E05	TUBE ASSY WATER	TUBE ASSY WATER	1	

F20

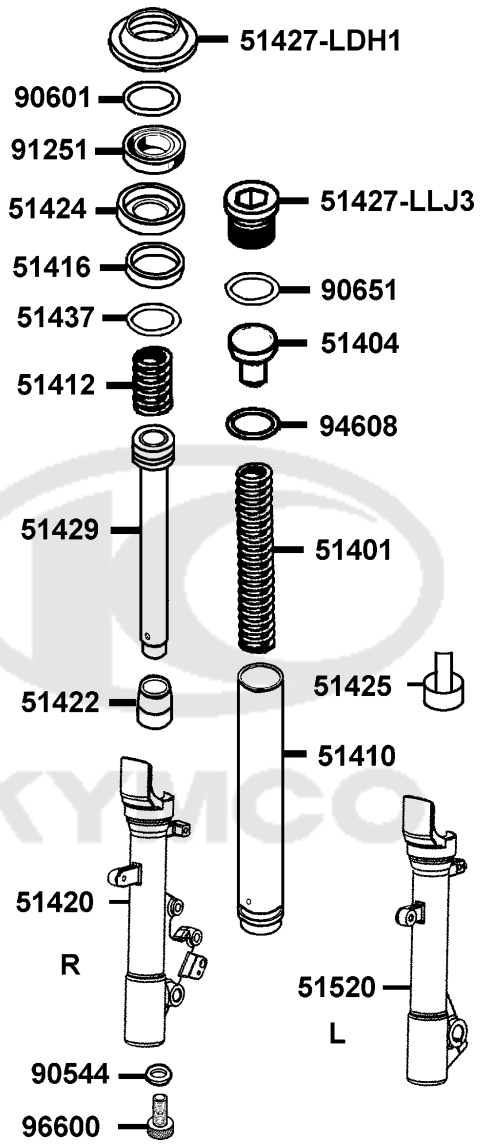
Radiator



Sales mark	Ref no	Part no	Description	Reg description	Regd no	<b>F20</b>
	93404-06016	93404-06016-06	BOLT WASHER 6*16	BOLT WASHER 6*16	5	
	93404-06025	93404-06025-06	BOLT WASHER 6*25	BOLT WASHER 6*25	2	
	94050-06080	94050-06080	NUT FLANGE 6MM	NUT FLANGE 6MM	2	
	95002-02100	95002-02100	CLIP B10 TUBE	CLIP B10 TUBE	1	
	95002-70000	95002-70000	CLIP C11 TUBE	CLIP C11 TUBE	2	
	95002-KHE7	95002-KHE7-900	CLIP WATER HOSE	CLIP WATER HOSE	5	
						

F21

Separated Parts Of Fr Fork



Sales mark	Ref no	Part no	Description	Reg description	Regd no	F21
	51401	51401-LDH1-E00	SPRING	SPRING	1	
	51404	51404-LDH1-E00	SPRING COLLAR	SPRING COLLAR	1	
	51410	51410-LEA7-E00	FORK PIPE COMP	FORK PIPE COMP	1	
	51412	51412-LLJ3-E00	REBOUND SPRING	REBOUND SPRING	1	
	51416	51416-LDH1-E00	GUIDE BUSH	GUIDE BUSH	1	
**	51420	51420-LEA7-E00	BOTTOM CASE R	BOTTOM CASE R	1	
	51422	51422-KED9-900	OIL LOCK PIECE	OIL LOCK PIECE	1	
	51424	51424-LDH1-E00	SPACER	SPACER	1	
	51425	51425-LEA7-E00	FORK FENDER	FORK FENDER	1	
	51427-LDH1	51427-LDH1-E00	DUST SEAL	DUST SEAL	1	
	51427-LLJ3	51427-LLJ3-E00	FORK BOLT CAP	FORK BOLT CAP	1	
	51429	51429-LEA7-E00	PIPE SEAT COMP	PIPE SEAT COMP	1	
	51437	51437-LDH1-E00	PISTON RING	PISTON RING	1	
**	51520	51520-LEA7-E00	BOTTOM CASE L	BOTTOM CASE L	1	
	90544	90544-KEC8-900	PACKING	PACKING	1	
	90601	90601-LLJ3-E00	OIL SEAL STOPPER RING	OIL SEAL STOPPER RING	1	
	90651	90651-LLJ3-E00	STOPPER RING	STOPPER RING	1	
	91251	91251-LLJ3-E00	OIL SEAL	OIL SEAL	1	
	94608	94608-LLJ3-E00	O-RING	O-RING	1	
	96600	96600-LBA2-E00	BOCKET BOLT	BOCKET BOLT	1	

- Be sure to wear a safety helmet when riding.
- Do not exceed the speed specified by law when riding.
- The exhaust muffler temperature is very high after riding. Be sure to park the motorcycle in a place not easily touched by people.
- For riding safety and good performance, do not violate the law to modify the motorcycle.
- Please read the User's Manual carefully to secure driving safety.

- Make sure to perform the periodic maintenance and pre-ride inspection.

Pre-ride Inspection Items

Brake Performance, tires, engine oil level, lights, horn, and instrument panel.

KWANG YANG MOTOR CO., LTD.

87560-LEA7-E00

87560

**CAUTIONS**

Never put any article between the rear side cover and the engine to avoid interference of riding.

GM9-300

87542

**CAUTIONS**

Before starting the engine, the side stand shall be kicked up to secure safety.

87541-GAR1

**CAUTIONS**

TIRE SIZE :FRONT 120/80-14	REAR 150/70-13
(ONE RIDER) :FRONT 2.0 kgf/cm <sup>2</sup>	REAR 2.25kgf/cm <sup>2</sup>
(TWO RIDER) :FRONT 2.0 kgf/cm <sup>2</sup>	REAR 2.25kgf/cm <sup>2</sup>

LOAD CAPACITY :SHIELD 1.5Kg CLIP ASSY CENTER 3Kg  
(AS PER KYMCO STANDARD SPECIFICATION)  
(NOTE:THE TIRE PRESSURE MUST NOT OVER PASS 2.50kgf/cm<sup>2</sup>)

CHECK THE MOTOR OIL LEVEL WITH THE DIPSTICK AFTER REFILLING MOTOR OIL.

87505-LEA7-E01

87505

**CAUTIONS**

Every 5000 km run should exchange the filter.

KBE-E00

87512

**CAUTION**

Mobile phone charge only, Use other appliance may cause damage.

KKC2-E000

87541-KKC2



Sales mark	Ref no	Part no	Description	Reg description	Regd no	<b>F22</b>
**	87505	87505-LEA7-E01	LABEL TIRE	LABEL TIRE	1	
**	87512	87512-KEBE-E00	CAUTION FILTER	CAUTION FILTER	1	
**	87541-GAR1	87541-GAR1-E00	CAUTION SIDE STAND	CAUTION SIDE STAND	1	
**	87541-KKC2	87541-KKC2-E00	CAUTION MOBILE PHONE	CAUTION MOBILE PHONE	1	
**	87542	87542-GAR1-E00	MARK MAINT CAUTION	MARK MAINT CAUTION	1	
**	87560	87560-LEA7-E00	MARK DRIVE CAUTION	MARK DRIVE CAUTION	1	





86202



87140



86102

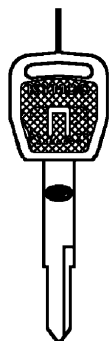
Sales mark	Ref no	Part no	Description	Reg description	Regd no	<b>F23</b>
**	86102	86102-LEA5-E00	EMB K-LOGO 30MM	EMB K-LOGO 30MM	1	
**	86102	86102-LEA5-E00	EMB K-LOGO 30MM	EMB K-LOGO 30MM	1	
**	86202	86202-LEA7-E01	EMB BODY COVER	EMB BODY COVER	2	
**	87140	87140-LEA7-E00	EMB MARK 300i	EMB MARK 300i	2	



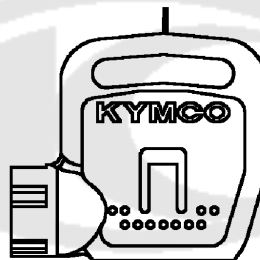
35111-LDC1-305-M1



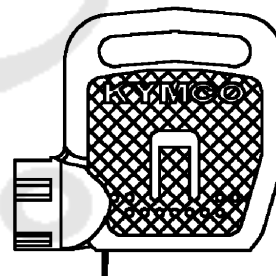
35111-LDC1-305-M2



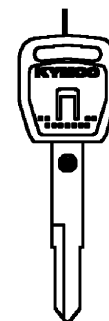
35111-LDC1-307-M1



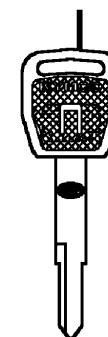
35111-LDC1-307-M2



35111-LDC1-306-M1



35111-LDC1-306-M2



Sales mark	Ref no	Part no	Description	Reg description	Regd no	<b>F24</b>
	35111-LDC1-305-M1	35111-LDC1-305-M1	KEY COMP (R TANGENT PLANE/SD)	KEY COMP (R TANGENT PLANE/SD)	1	
	35111-LDC1-305-M2	35111-LDC1-305-M2	KEY COMP (R TANGENT PLANE/TJ)	KEY COMP (R TANGENT PLANE/TJ)	1	
	35111-LDC1-306-M1	35111-LDC1-306-M1	KEY COMP (L TANGENT PLANE/SD)	KEY COMP (L TANGENT PLANE/SD)	1	
	35111-LDC1-306-M2	35111-LDC1-306-M2	KEY COMP (L TANGENT PLANE/TJ)	KEY COMP (L TANGENT PLANE/TJ)	1	
	35111-LDC1-307-M1	35111-LDC1-307-M1	KEY COMP SHUTTER MAGNETIC (SD)	KEY COMP SHUTTER MAGNETIC (SD)	1	
	35111-LDC1-307-M2	35111-LDC1-307-M2	KEY COMP SHUTTER MAGNETIC (TJ)	KEY COMP SHUTTER MAGNETIC (TJ)	1	



## PART NO. INDEX

PART NO.	VERSION	PAGE	PART NO.	VERSION	PAGE	PART NO.	VERSION	PAGE
<b>0000</b>			11203-LBA2-E00	2	E01	12251-LEA7-E00	4	E02
			11203-LBA2-E00	2	F16	12310-LEA7-E00	5	E02
			11212-LEA7-E00	1	F13	12391-LEA7-E00	5	E02
0901-880-6000	0	E05	1121A-LEA7-E00	3	F13			
0901-911-6000	0	E05	1122A-LEA7-E00	2	E01	<b>13000</b>		
			11330-LEA7-E00	13	E04			
<b>1000</b>			11340-LEA7-E00	0	E01	13000-LEA7-E00	21	E03
			11340-LEA7-E01	2	E01	13011-LEA7-E00	2	E03
1190-0017-0000	0	E05	11341-LEA7-E01	1	E01	13101-LEA7-E00	9	E03
1190-C74-2000	0	E05	11344-LEA7-E00	0	E01	13111-LEA7-E00	2	E03
1614-868-0000	0	E05	11345-LEA7-E00	1	E01	13314-LEA7-E0A	3	E01
1614-906-0002	0	E05	11346-GFY6-901	0	E01	13314-LEA7-E0B	3	E01
			11347-LEA7-E00	3	E06	13314-LEA7-E0C	3	E01
<b>3000</b>			1134A-LEA7-E00	9	E01	13406-LEA7-E00	2	E02
			1134B-LEA7-E00	0	E01			
3700-A35B-0100	0	E05	11350-LEA7-E00	2	E01	<b>14000</b>		
3791-HN80-0000	0	F10	11384-LEA7-E05	2	F20			
			11394-LEA7-E00	9	E04	14100-LEA7-E00	12	E02
<b>4000</b>			11395-LEA7-E00	2	E01	14321-LEA7-E00	6	E02
						14401-PWB1-900	2	E03
4115-803-1100-3	0	E05	<b>12000</b>			14420-LEA7-E00	2	E02
						14430-LEA7-E00	2	E02
<b>11000</b>			12100-LEA7-E00	7	E03	14433-PTA1-900	3	E02
			12191-LEA7-E00	2	E03	14434-PTA1-900	2	E02
11103-KHE7-900	0	E01	12200-LEA7-E00	15	E02	14452-LEA7-E00	4	E02
1110A-LEA7-E05	0	E01	12209-GDB4-68A	0	E02	14453-LEA7-E00	5	E02

## PART NO. INDEX

PART NO.	VERSION	PAGE	PART NO.	VERSION	PAGE	PART NO.	VERSION	PAGE
14510-LEA7-E00	5	E03	15711-LEA7-E00	1	E07	17911-LEA7-E00	6	F03
14520-KED9-900	1	E03	15772-5L00-013	1	F13			
14523-GFY6-901	1	E03				<b>18000</b>		
14531-KHE7-900	1	E03	<b>16000</b>					
14610-LEA7-E00	2	E03				18291-KEBE-900	0	F14
14711-LEA7-E00	5	E02	1610K-LEA7-E00	1	E05	18291-KKC4-900	1	E01
14721-LEA7-E00	5	E02	16201-LEA7-E00	1	E02	18291-PWB1-900	2	F14
14751-LEA7-E00	6	E02	16211-LEA7-E00	2	E02	18292-KEBE-900	0	F14
14761-LEA7-E00	3	E02				18293-KEBE-900	0	F14
14771-GDB4-680	2	E02	<b>17000</b>			18293-KKC4-900	0	E01
14777-LBA2-E00	3	E02				18294-KEBE-900	0	F14
14781-MFA6-001	0	E02	1711A-LEA7-E05	2	E02	18294-LDB2-900	0	F14
			17211-LEA7-E00	1	F13	18306-LEA7-E00	3	F14
<b>15000</b>			1723A-LEA7-E00	0	F13	1830A-LEA7-E00	10	F14
			1723B-LEA7-E00	0	F13	18310-LEA7-E00	8	F14
15100-LEA7-E00	7	E07	1737A-KUDU-900	0	F13	18318-LEA7-E00	3	F14
15133-LGF9-E00	1	E07	17500-LEA7-E00	4	F10	18320-LEA7-E00	5	F14
15141-LGF9-E00	1	E07	17511-LEA7-E00	2	F19	18325-LEA7-E00	3	F14
15161-PUA5-E00	5	E01	17512-LEA7-E00	2	F19	18371-LEA7-E00	1	F14
15200-KED9-900	7	E01	17530-KGB5-900	1	F05	18391-LEA7-E00	2	F14
1541A-LEA7-E00	6	E04	17550-LEA7-800	2	F10			
15421-LEA7-E00	0	E01	17620-LEA7-315-M1	0	F10	<b>19000</b>		
15421-LEA7-E05	5	E01	17620-LEA7-315-M2	0	F10			
15423-KKC3-900	1	E04	17685-KZCZ-900	0	F05	19005-LFA7-E00	2	F20
15437-LEA7-E00	1	E04	17685-LEA7-E00	5	F10	19010-LFA7-E00	0	F20
1565A-LGF9-E00	1	E04	17910-LEA7-E00	6	F03	19012-LEA7-E05	1	F20

## PART NO. INDEX

PART NO.	VERSION	PAGE	PART NO.	VERSION	PAGE	PART NO.	VERSION	PAGE
19013-LEA7-E00	6	F20	19613-LEA7-E00	1	E01	23100-LEA7-E01	2	E06
19014-LEA7-E00	7	E04				23200-LGE5-E00	1	E06
19014-LEA7-E00	7	F20	<b>21000</b>			23220-LGE5-E00	2	E06
19015-LEA5-E00	1	F20				23225-LEA7-E00	1	E06
19016-LEA7-E00	7	F20	21301-LEA7-E00	3	E08	23226-LEA7-E00	1	E06
19020-KED9-900	1	F20	21395-LEA7-E00	2	E08	23233-LEA7-E00	5	E06
19030-KHD8-900	2	F20				23237-KHE7-900	0	E06
19101-LEA7-E00	3	F20	<b>22000</b>			23238-KHE7-900	0	E06
19102-LEA7-E00	2	F20				23411-LEA7-E00	9	E08
19104-LBA2-E00	1	F20	22100-LEA7-E00	5	E06	23420-LEA7-E00	4	E08
19105-LEA7-E00	2	F20	22102-LEA7-E00	4	E06	23431-LEA7-E00	5	E08
19111-GBE2-004	1	F20	22105-LGF9-E00	2	E06	23432-LEA7-E00	2	E08
19210-KKC4-900	0	F20	22110-LGE5-E00	2	E06			
19215-LEA7-E00	1	E04	22121-LEA7-E00	4	E06	<b>28000</b>		
19217-6G57-024	0	E04	22131-LGE5-E00	1	E06			
19221-LGE5-E00	1	E04	22132-PWB1-900	4	E06	28102-LEA7-E00	3	E07
19229-LEA7-E00	3	E04	22300-LGE5-E00	3	E06	28110-LEA7-E00	3	E07
19231-LEA7-E00	2	E04	22350-KHE7-900	1	E06	28120-LDB2-E00	0	E07
19232-LBA2-E00	2	E04	22361-LEA7-E00	1	E06	28130-LEA7-E00	4	E07
19300-LFA7-E0A	1	E02	22401-KHE7-900	2	E06			
19315-LFA7-E00	5	E02	22530-LGE5-E00	2	E06	<b>30000</b>		
19502-LEA7-E00	3	E04	22804-GBB2-001	0	E06			
19504-LBA2-E00	3	F10				3051A-LDF2-900	6	F18
19505-LBA2-E00	4	E04	<b>23000</b>			30700-KFC8-E0H	1	F18
19505-LBA2-E00	4	F20						
19508-LBA2-E00	0	E04	2301A-LGE5-E00	4	E06			



## PART NO. INDEX

PART NO.	VERSION	PAGE	PART NO.	VERSION	PAGE	PART NO.	VERSION	PAGE
<b>31000</b>			<b>33000</b>			<b>35000</b>		
31110-LEA7-E0B	2	E07	33100-LEA7-E00	0	F01	35010-LEA7-335-M1	0	F18
31120-LEA7-E0B	6	E07	33110-LEA7-E00	2	F01	35010-LEA7-335-M2	0	F18
31210-LEA7-E00	3	E07	33120-LEA7-E00	0	F01	35101-LEA7-335-M1	0	F18
31340-LEA7-E00	3	F18	33130-LEA7-E00	0	F01	35101-LEA7-335-M2	0	F18
31500-LEA6-900	5	F11	33150-LEA7-E00	0	F01	35102-KFB7-305-M1	0	F18
31500-LEA6-90B	2	F11	33180-LEA7-E00	0	F01	35102-KFB7-305-M2	0	F18
31600-KED9-900	4	F18	33701-LEA7-E00	0	F17	35102-LEB1-90A	0	F18
31601-LEA7-E00	2	F18	33706-LEA7-E00	0	F17	35102-LEB1-90B	0	F18
31605-KKE5-E00	4	F18	33708-KHE7-E00	0	F17	35111-LDC1-305-M1	0	F24
3195A-LEA7-E05	1	F18	33709-KHE7-E00	0	F17	35111-LDC1-305-M2	0	F24
			33720-LBB5-E00	3	F17	35111-LDC1-306-M1	0	F24
<b>32000</b>			33726-LBB5-E00	1	F17	35111-LDC1-306-M2	0	F24
			33741-LEA7-E00	2	F17	35111-LDC1-307-M1	0	F24
32100-LEA7-E05	3	F18	33900-KKE5-E00	2	F12	35111-LDC1-307-M2	0	F24
32101-LEA7-E00	1	E02				35119-LEB1-90A	0	F18
32105-LLJ3-E00	2	E01	<b>34000</b>			35119-LEB1-90B	0	F18
32108-KXCX-E00	0	F18				3515A-LBA2-E01	1	F03
32410-LEA7-E00	2	E07	34901-KGB5-M30	0	F01	3520A-KEBE-900	2	F03
32411-LEA7-E00	3	F11	34903-KPCP-900	0	F17	35340-KNBN-901	0	F04
32412-LEA7-E00	2	E04	34905-LCA5-E00	0	F17	35350-KNBN-901	0	F04
			34905-LEA7-E00	0	F01	35370-LLJ3-E00	3	F15
			34906-KPCP-900	0	F17	35380-LDF2-900	2	F18
			34909-KKE5-E00	0	F12	35420-LEA7-E00	2	F18

## PART NO. INDEX

PART NO.	VERSION	PAGE	PART NO.	VERSION	PAGE	PART NO.	VERSION	PAGE	
35500-KED9-900	6	E01	39209-LEA7-E00	3	F19	43352-KKD6-E90	1	F08	
35850-KHB4-90A	2	F18	39220-LDF2-900	1	F18	43353-4A61-77A	0	F08	
35850-KHB4-90B	3	F18	39300-LDF2-M90	2	E02	43353-KED9-900	0	F07	
<b>37000</b>			39301-LDF2-M90	2	E02	43530-LEA7-305	0	F04	
			39400-LDF2-800	2	E02	<b>44000</b>			
			39450-LDF2-800	3	F14				
			<b>42000</b>						
	37200-LEA7-E00	5		F02				44301-LEA7-E00	3
37211-KKE5-E00	0	F02					44311-LEA7-E00	2	F07
37213-KKE5-E00	0	F02				44312-LEA7-E00	4	F07	
37216-LEA7-E00	1	F03		42311-LEA7-900	1	F08	44600-LEA7-305	0	F07
37720-KGB5-900	0	E02	42312-LEA7-E00	1	F08	44620-LEA7-E00	3	F07	
37750-PAC1-005	0	E02	42601-LEA7-E00	7	F08	44710-LEA7-E0A	2	F07	
37760-KHD8-900	0	F20	42710-LEA7-E0A	3	F08	44710-LEA7-E0B	5	F07	
<b>38000</b>			42710-LEA7-E0B	5	F08	<b>45000</b>			
			42753-KNBN-90B	1	F07				
			42753-KNBN-90B	1	F08				
			<b>43000</b>						
	38110-KKC3-90B	2		F18				45105-LEA7-305	0
38200-KHE7-900	0	F18				45107-KED9-900	0	F07	
38300-LEA7-E00	2	F18				45107-LEA7-E00	0	F07	
38500-LGL3-90A	2	F18		43100-LEA7-E00	6	F08	45108-LDH1-E00	0	F08
38500-LGL3-90D	2	F18	43105-LEA7-305	0	F08	45108-LEA7-E00	0	F07	
<b>39000</b>			43126-LEA7-E00	3	F04	45109-GBE2-007	0	F08	
			43156-LEA7-E00	2	F16	45109-KED9-900	0	F07	
			43210-LEA7-E00	0	F08	45126-LEA7-E00	4	F04	
	39100-LEA7-E00	2	F18	43351-LEA7-E00	6	F08	45128-LBA2-920	1	F06
	39200-LEA7-E05	2	F18	43352-KED9-900	0	F07			

## PART NO. INDEX

PART NO.	VERSION	PAGE	PART NO.	VERSION	PAGE	PART NO.	VERSION	PAGE
45129-LBA2-900	1	F06	5032A-LEA5-E00	3	F11	51416-LDH1-E00	0	F21
4512A-LEA7-E00	5	F07	5032A-LEA7-E00	2	F11	51420-LEA7-E00	0	F21
45130-KED9-900	0	F07	50350-LEA7-E00	6	F19	51422-KED9-900	0	F21
45131-LDH1-E00	0	F08	50353-KGN7-901	0	F19	51424-LDH1-E00	0	F21
45132-KED9-900	0	F07	50353-LEA7-E00	1	F19	51425-LEA7-E00	2	F21
45134-KED9-900	0	F07	50356-LEA7-E00	1	F19	51427-LDH1-E00	0	F21
45135-KED9-900	0	F07	50356-LEA7-E01	1	F19	51427-LLJ3-E00	0	F21
45200-LEA7-E00	7	F07	50360-LEA7-E00	4	F19	51429-LEA7-E00	0	F21
45209-GBE2-007	0	F08	50364-KHE7-E00	0	F19	51430-LEA7-E00	0	F08
45210-LEA7-305	0	F07	50500-LEA7-E05	3	F15	51437-LDH1-E00	0	F21
45352-LEA7-E00	4	F07	50502-LDF7-E10	0	F15	51500-LEA7-E00	6	F06
45513-LEA7-E00	1	F04	50504-LEA7-E05	1	E01	51520-LEA7-E00	0	F21
45517-LBA2-E00	2	F04	50505-KUDU-900	1	F15			
45520-KKA8-900	0	F04	50505-LEA7-E00	1	F15	<b>52000</b>		
45530-LBA2-308	0	F04	50506-KHE7-E00	0	F15			
45531-GAR1-951	0	F08	50530-LEA7-E05	2	F15	52000-LEA7-E00	8	F16
45531-KED9-900	0	F07	50550-KKC2-E00	0	F15	52400-LEA7-E00	6	F16
<b>50000</b>			50613-LEA7-E00	7	F19	<b>53000</b>		
			<b>51000</b>					
50100-LEA7-E00	18	F19				53100-LEA7-E00	9	F03
50179-LEA7-E00	2	F19	51400-LEA7-E00	6	F06	53105-LEA7-E00	4	F03
50187-LEA7-E00	2	F19	51401-LDH1-E00	0	F21	53106-LEA7-E00	4	F03
50188-LEA7-E00	2	F19	51404-LDH1-E00	0	F21	53125-LEA7-E00	2	F03
50190-LEA7-E00	2	F19	51410-LEA7-E00	0	F21	53140-LEA7-E00	4	F03
50306-1F96-001	0	F06	51412-LLJ3-E00	0	F21	53150-LEA6-900	4	F03

## PART NO. INDEX

PART NO.	VERSION	PAGE	PART NO.	VERSION	PAGE	PART NO.	VERSION	PAGE
53175-KKE5-E00	0	F04	64221-LEA7-E00	2	F03	64401-LEA7-E00	4	F05
53178-KKE5-E00	0	F04	64222-LEA7-E00	2	F03	64500-LEA7-E00	4	F05
53200-LEA7-E00	4	F06	64222-LLJ3-E00	1	F06			
53203-LEA7-E00	5	F03	64223-LEA7-E00	5	F03	<b>77000</b>		
53204-LEA7-E00	9	F03	64224-LEA7-E00	1	F03			
53205-LEA7-E00	5	F03	64225-LEA7-E00	2	F03	77200-LEA7-305	0	F09
53206-LEA7-E00	4	F03	64226-LEA7-E00	2	F03	77206-KEB7-900	0	F09
53207-LEA7-E00	2	F03	64301-LEA7-E00	2	F05	77231-LEA7-E00	2	F19
53213-LBA2-E00	2	F06	64303-LEA7-E00	3	F05	77235-LEA7-E0D	2	F18
53214-LBA2-E00	2	F06	64304-LEA7-E00	3	F05	77235-LEA7-E0E	2	F18
53214-LEA7-E00	3	F06	64305-LEA7-E00	3	F05	77235-LEA7-E0G	0	F18
53220-LBA2-E00	2	F06	64306-LEA7-E00	3	F05	77235-LEA7-E0H	0	F18
53240-LBA2-E00	2	F06	64307-LEA7-E00	4	F05	77240-LEA7-E00	7	F18
53250-LBA2-E00	2	F06	64310-LEA7-E00	5	F05	77300-LEA7-E00	1	F09
			64311-LEA7-E00	3	F05	77303-LEA7-E00	1	F09
<b>61000</b>			64312-LEA7-E00	6	F05	77500-LEA7-E00	2	F09
			64313-LEA7-E00	6	F05	77501-LEA7-E00	0	F09
61100-LEA7-E00	4	F06	64315-LEA7-E00	7	F19			
61101-LEA7-E00	3	F05	64317-LEA7-E00	3	F05	<b>80000</b>		
61102-LEA7-E00	1	F06	64318-LEA7-E00	2	F05			
61103-LEA7-E00	1	F06	64320-LEA7-E00	3	F05	80100-LEA7-E00	6	F17
			64330-LEA7-E00	5	F05	80101-LEA7-E00	4	F17
<b>64000</b>			64340-LEA7-E00	3	F05	80102-LEA7-E00	4	F17
			64350-LEA7-E00	5	F05	80103-LEA7-E00	2	F17
64206-MLJ0-001	1	F12	64360-LEA7-E00	3	F05	80104-LBA2-E00	1	F12
64220-LEA7-E00	6	F03	64400-LEA7-E00	6	F05	80105-LEA7-E00	4	F17

## PART NO. INDEX

PART NO.	VERSION	PAGE	PART NO.	VERSION	PAGE	PART NO.	VERSION	PAGE
80106-LEA7-E00	3	F17						
80107-LEA7-E00	3	F17	<b>83000</b>			<b>87000</b>		
80114-KGG7-001	0	F06						
80151-LEA7-E00	4	F05	83500-LEA7-E00	3	F12	87140-LEA7-E00	3	F23
80152-LEA7-E00	7	F05	83503-KHD6-900	2	F19	87505-LEA7-E01	1	F22
80153-LEA7-E00	3	F05	83520-LEA7-E00	4	F05	87508-KKC4-E00	1	F03
<b>81000</b>			83550-KEC8-900	0	F05	87512-KEBE-E00	0	F22
			83550-KEC8-900	0	F06	87541-GAR1-E00	1	F22
			83550-KEC8-900	0	F17	87541-KKC2-E00	1	F22
81131-LEA7-E00	8	F05	83551-KEC8-900	0	F05	87542-GAR1-E00	2	F22
81132-LEA7-E00	8	F05	83551-KEC8-900	0	F06	87560-LEA7-E00	1	F22
81134-LEA7-E00	6	F05	83551-KEC8-900	0	F17			
81136-LEA7-E00	2	F05	83551-LEA7-E00	1	F05	<b>88000</b>		
8113A-LEA7-E00	9	F05	83600-LEA7-E00	3	F12			
81141-LEA7-E00	3	F05	83620-LEA7-E00	4	F05	88110-LEA7-E00	3	F03
81150-LEA7-E00	6	F05	83750-LEA7-E00	2	F12	88120-LEA7-E00	3	F03
81200-LEA7-E00	6	F12	83751-LEA7-E00	2	F12	88130-KEBE-900	1	F03
81210-LEA7-E00	2	F12	8376A-KEBE-900	4	F05			
81220-LEA7-E00	2	F12				<b>89000</b>		
81251-LEA7-E00	1	F12	<b>86000</b>					
81252-KKE5-E00	2	F12				89010-LEA7-E00	3	F09
81252-LEA7-E00	1	F12	86102-LEA5-E00	1	F23	89020-KKC4-900	1	F09
81260-LEA7-E00	4	F12	86202-LEA7-E01	3	F23			
						<b>90000</b>		
						90001-GBHB-661	2	E03

## PART NO. INDEX

PART NO.	VERSION	PAGE	PART NO.	VERSION	PAGE	PART NO.	VERSION	PAGE
90001-GBHB-661	2	E07	90117-KED9-900	1	F19	90304-GHE8-004	0	F03
90001-GFY6-901	4	E02	90122-LEA7-E00	1	F07	90304-GHE8-004	0	F19
90001-LEA7-E00	2	E02	90122-LEA7-E00	1	F08	90304-LBD4-900	2	F19
90005-KEC8-900	3	E03	90145-MKS9-61A	1	F04	90305-KKAK-900	0	F08
9000B-KHD6-900	2	E02	90201-KHE7-900	1	E06	90305-LBA2-E00	1	F05
90012-3C33-001	1	E02	90201-KHR8-75A	1	E06	90305-LBA2-E00	1	F06
90017-KKE5-E00	4	E02	90201-KHR8-75A	1	E07	90305-LBD4-900	1	F19
90032-LEA7-E00	2	E01	90202-LEA7-E00	1	E06	90312-LLJ3-E01	0	F06
90033-KGB4-C00	0	E02	90206-0A01-001	2	E02	90401-KKJ9-001	0	E07
90084-KKF9-901	0	E04	90215-KKC4-900	1	F09	90401-LEA7-E00	1	E06
9008A-KBE2-900	0	E04	90215-KKC4-900	1	F12	90402-LEA7-E00	4	E03
90101-LEA7-E00	1	F14	90301-6D34-671	1	F01	90403-LEA7-E00	1	E06
90103-LEA7-E00	1	F14	90301-6D34-671	1	F10	90423-KKJ9-001	0	E04
90104-LEA7-E00	3	F03	90301-6D34-671	1	F17	90428-9H58-001	0	E04
90105-KFC2-900	0	F12	90301-6D34-671	1	F20	90474-3C33-001	1	E01
90105-LEA7-E00	1	F07	90301-GFY6-901	2	F14	90478-7L00-001	0	E02
90105-LEA7-E00	1	F08	90302-GBR2-001	1	F17	90478-7L00-001	0	E04
90106-GEN5-901	0	F03	90302-GFY6-940	1	F11	90503-LEA7-E00	2	F06
90106-KFA6-900	0	F12	90302-LLB1-E00	2	F03	9052A-LEB1-900	1	E01
90106-LEA7-E00	1	F19	90302-LLB1-E00	2	F16	90544-KEC8-900	0	F21
90107-LEA7-E00	3	F03	90302-PWA5-900	1	F17	90545-3L00-001	2	F04
90107-LEA7-E00	3	F06	90302-SDA4-004	2	F03	90601-LLJ3-E00	0	F21
90108-KKC4-900	1	F15	90302-SDA4-004	2	F05	90605-1F66-721	0	E06
90112-KNBN-901	1	F11	90302-SDA4-004	2	F12	90651-LLJ3-E00	0	F21
90113-KKA8-900	0	F04	90302-SDA4-004	2	F17	90652-KHE7-900	0	F13
90114-GDM4-011	2	F13	90302-SDA4-004	2	F19	90652-LCA4-E00	1	F05

## PART NO. INDEX

PART NO.	VERSION	PAGE	PART NO.	VERSION	PAGE	PART NO.	VERSION	PAGE	
90652-LCA4-E00	1	F17	91301-2L00-001	0	E01	<b>93000</b>			
90652-LCA4-E00	1	F19	91301-LDF2-M90	2	E02				
90652-LDG7-900	1	E02	91302-5G67-004	0	E04				
90652-LEC8-E00	1	F05	91302-LDF2-M90	2	E02		93401-06020-07	0	F14
90652-LGL7-E00	1	F18	91302-LEA7-E00	1	E02		93404-06016-06	0	F03
90656-KCBC-900	0	F18	91303-3G77-001	0	E04		93404-06016-06	0	F05
90677-GAR1-004	1	F11	91303-LEA7-E00	1	E04		93404-06016-06	0	F12
90701-9E65-001	0	E01	91306-1E05-691	0	E03		93404-06016-06	0	F15
90754-LLJ3-E00	1	F07	91306-PUA5-E00	3	E01		93404-06016-06	0	F17
90914-LEA7-E05	2	F20	91307-0E35-001	0	E04		93404-06016-06	0	F19
<b>91000</b>			91307-PUA5-E00	3	E01	93404-06016-06	0	F20	
			91309-4E25-004	0	E07	93404-06025-06	0	F20	
			91351-KHE7-900	0	E06	93500-03010-1A	0	E07	
91002-GGA7-70A	0	E06	91507-LEA7-E00	1	F18	93500-05016-1B	0	F03	
91004-LEA7-E00	1	E06	91552-LEA7-E00	1	E01	93500-05025-1B	0	F03	
91005-LBA7-900	1	E01	<b>92000</b>			93500-05032-1B	0	F03	
91009-KHE7-900	0	E01				93500-05045-1B	0	F03	
91201-LEA7-E00	1	E01				93500-KHC4-90A	0	F18	
91202-KGB4-C00	1	E04	92000-05016-0H	0	E02	93600-04012-1G	0	F04	
91202-LEA7-E00	4	E08	92101-05008-0A	0	E01	93600-06032-0H	2	E07	
91202-LEA7-E0A	3	E08	92101-05012-0H	0	E07	93892-04008-18	0	E05	
91211-KHE7-900	0	E06	92101-05032-0H	0	E07	93893-04012-18	0	F04	
91251-LLJ3-E00	0	F21	92900-06040-0E	2	E02	93894-04022-08	1	F18	
91255-KHE7-900	0	E01				93903-25460	0	F13	
91255-LEA7-E00	1	F16				93903-34260	0	F03	
91255-LLB1-900	1	F16				93903-34360	0	F03	

## PART NO. INDEX

PART NO.	VERSION	PAGE	PART NO.	VERSION	PAGE	PART NO.	VERSION	PAGE
93903-34360	0	F05	94101-LBA2-E00	1	F19	95002-50000	0	E01
93903-34360	0	F17	94102-LBA2-E00	1	F19	95002-70000	0	F20
93903-34760	0	F05	94251-08400	0	F15	95002-KHE7-900	0	F20
93903-35260	0	F03	94301-08100	1	E02	95014-72204	0	F15
93903-35320	0	F01	94301-08140	0	E04	95701-06008-06	1	F06
93903-35320	0	F02	94301-10160	0	E01	95701-06012-06	1	F06
93903-35360	0	F06	94301-10160	0	E04	95701-06012-08	0	F19
93903-35360	0	F17	94301-10160	0	E08	95701-06016-06	1	F19
93903-GFY6-900	1	F03	94301-12200	1	E02	95701-06016-08	0	E02
93903-GFY6-900	1	F05	94301-12200	1	E03	95701-06022-06	1	F14
93903-GFY6-900	1	F12	94303-04065	0	E07	95701-06045-06	0	F06
93903-GFY6-900	1	F17	94401-25140	4	E03	95701-06045-08	0	F19
93903-KEB7-900-06	1	F03	94510-10000	0	E07	95701-08012-08	0	E01
93903-KEB7-900-06	1	F05	94510-14000	0	E04	95701-08012-08	0	F18
			94510-25000	0	E08	95701-08035-08	0	E08
<b>94000</b>			94520-28000	0	E06	95701-08040-08	0	E08
			94520-47000	0	E01	95701-LDF2-800	2	F10
94050-05080	0	F17	94520-47000	0	F16	95701-LEA5-E00	1	F18
94050-06060	0	F04	94601-17000	0	E03	95801-08040-08	0	F06
94050-06080	0	E02	94608-LLJ3-E00	0	F21	95801-10030-06	0	F15
94050-06080	0	F09				95801-10040-02	0	F16
94050-06080	0	F18	<b>95000</b>			95801-10060-06	0	F14
94050-06080	0	F19				95801-10060-06	0	F16
94050-06080	0	F20	95002-02080	0	F05			
94050-10060	0	E01	95002-02100	0	F20			
94101-08600	0	F15	95002-02150	0	F13			



## PART NO. INDEX

PART NO.	VERSION	PAGE	PART NO.	VERSION	PAGE	PART NO.	VERSION	PAGE
<b>96000</b>			96600-08015-10	1	E07			
			96600-LBA2-E00	0	F21			
			96700-KED9-900	2	F06			
96001-06010-00	0	E04	<b>98000</b>					
96001-06010-06	0	E02						
96001-06012-06	0	F06						
96001-06012-06	0	F18	98059-57916-00	2	E02			
96001-06012-08	0	E07	98200-31000	1	F11			
96001-06020-06	0	E01	98200-31000	1	F18			
96001-06020-08	0	F18	98200-31500	0	F11			
96001-06022-08	0	E04	98200-31500	0	F18			
96001-06025-06	0	E02	98200-33000	0	F11			
96001-06025-06	0	E03	98200-33000	0	F18			
96001-06028-06	0	F04	<b>W</b>					
96001-06028-08	0	E04						
96001-06030-08	0	E01						
96001-06035-08	0	E04	W1792-048-9901	0	E05			
96001-06070-08	0	E01						
96001-06080-08	0	E01						
96001-GFY6-900	1	F13						
96100-62050-00	2	E08						
96100-63020-00	0	E01						
96100-63020-00	0	E08						
96100-63040-00	1	E08						
96150-60020-10	0	F07						
96150-62040-10	0	F16						