

PARTS CATALOGUE



SCOOTERS

SK25AA(MK)

DOWNTOWN 125i



Release Date : 2013/09/05
Print Date : 2013/10/18

ABOUT THIS PARTS LIST

- This parts list is compiled all service parts for model SK25AA(MK).
- Any difference between color chart and motorcycle will be revised according to motorcycle.
- The Mark:
 1. Marking "***" must add color code in the end before ordering parts.
 2. Marking "#" are parts with modification, Please find the details from e-Parts system.
- When modification or additions to this parts list are made a revised edition at an appropriate time.



CONTENTS

● ABOUT THIS PARTS LIST	1
● COLOR CHART OF SK25AA(MK)	3
● CONTENTS-ENGINE GROUP	11
● CONTENTS-FRAME GROUP	12
● ENGINE PARTS LIST	15
● FRAME PARTS LIST	47
● PART NO. INDEX	119

NO	MODEL			COLOR CHART OF SK25AA(MK)			
	PHOTO NO			NO. 1	NO. 2	NO. 3	NO. 4
	BASIC COLOR				Bright Silver		Dark Gray Metallic
	CODE				Bright Silver		Dark Gray Metallic
	PARTS NAME	PARTS NO.	VERSION	NH045MA	NH045MA	NH124MA	NH124MA
1	FENDER ASSY FR	61100-LEA7-E00	4	DOC		DOM	
2	COSMETIC METER	37216-LEA7-E00	1	F1P			
3	GRIP COMP THROT	53140-LEA7-E00	4	H5R			
4	GRIP COMP L HANDLE	53150-LEA6-900	4	L9R			
5	WIND SCREEN	64220-LEA7-E00	6	M3A			
6	LEVER R STRG HANDLE	53175-KKE5-E00	0	N1P			
7	LEVER L STRG HANDLE	53178-KKE5-E00	0	N1R			
8	LID FR COVER	64307-LEA7-E00	4				
9	MESH ,UNDER COWL	64401-LEA7-E00	4				
10	TUNNEL LEG SHIELD	81141-LEA7-E00	3				
11	MIRROR ASSY.R/H	88110-LEA7-E00	3				
12	MIRROR ASSY.L/H BACK	88120-LEA7-E00	3				
13	COVER COMP L SIDE	11340-LFA7-E00	4				
14	UNDER COVER.ASSY.	5061A-LEA7-E00	4				
15	COVER METER FR	53203-LEA7-E00	5				
16	COVER METER RR	53204-LEA7-E00	9				
17	COVER HANDLE UP	53205-LEA7-E00	5				
18	COVER HANDLE LOW	53206-LEA7-E00	4				
19	FENDER FR INNER	61101-LEA7-E00	3				
20	PLUG WIND SCREEN	64223-LEA7-E00	5				
21	FLOOR PANEL R	64310-LEA7-E00	5				
22	LID RESERVE TANK	64311-LEA7-E00	3				
23	BOARD.R PANEL FLOOR	64312-LEA7-E00	6				
24	BOARD.R PANEL FLOOR	64313-LEA7-E00	6				
25	MAT R FLOOR	64320-LEA7-E00	3				
DATE OF STARTING-SALES							
DATE OF END-SALES							

NO	MODEL			COLOR CHART OF SK25AA(MK)			
	PHOTO NO			NO. 5	NO. 6	NO. 7	NO. 8
	BASIC COLOR			Pearly White			Dark Redish Brown
	CODE			Pearly White			Dark Redish Brown
	PARTS NAME	PARTS NO.	VERSION	NH193PA	NH193PA	RR174MA	RR174MA
1	FENDER ASSY FR	61100-LEA7-E00	4	D1S		DDS	
2	COSMETIC METER	37216-LEA7-E00	1	F1P			
3	GRIP COMP THROT	53140-LEA7-E00	4	H5R			
4	GRIP COMP L HANDLE	53150-LEA6-900	4	L9R			
5	WIND SCREEN	64220-LEA7-E00	6	M3A			
6	LEVER R STRG HANDLE	53175-KKE5-E00	0	N1P			
7	LEVER L STRG HANDLE	53178-KKE5-E00	0	N1R			
8	LID FR COVER	64307-LEA7-E00	4				
9	MESH ,UNDER COWL	64401-LEA7-E00	4				
10	TUNNEL LEG SHIELD	81141-LEA7-E00	3				
11	MIRROR ASSY.R/H	88110-LEA7-E00	3				
12	MIRROR ASSY.L/H BACK	88120-LEA7-E00	3				
13	COVER COMP L SIDE	11340-LFA7-E00	4				
14	UNDER COVER.ASSY.	5061A-LEA7-E00	4				
15	COVER METER FR	53203-LEA7-E00	5				
16	COVER METER RR	53204-LEA7-E00	9				
17	COVER HANDLE UP	53205-LEA7-E00	5				
18	COVER HANDLE LOW	53206-LEA7-E00	4				
19	FENDER FR INNER	61101-LEA7-E00	3				
20	PLUG WIND SCREEN	64223-LEA7-E00	5				
21	FLOOR PANEL R	64310-LEA7-E00	5				
22	LID RESERVE TANK	64311-LEA7-E00	3				
23	BOARD.R PANEL FLOOR	64312-LEA7-E00	6				
24	BOARD.R PANEL FLOOR	64313-LEA7-E00	6				
25	MAT R FLOOR	64320-LEA7-E00	3				
DATE OF STARTING-SALES							
DATE OF END-SALES							

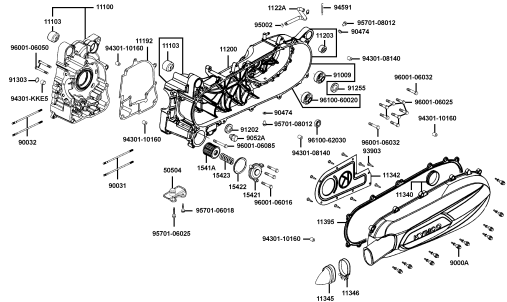
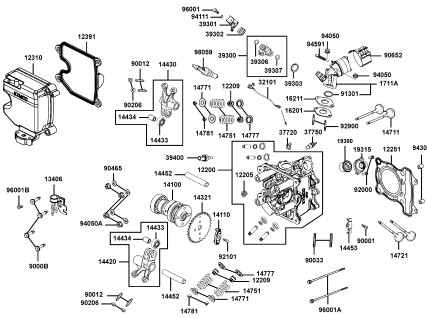
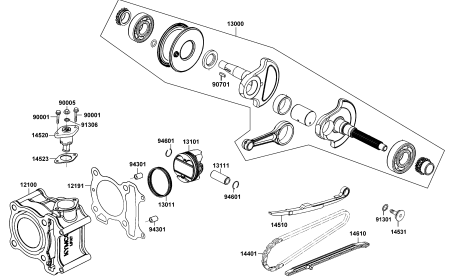
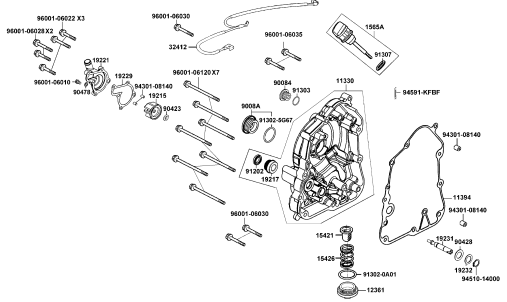
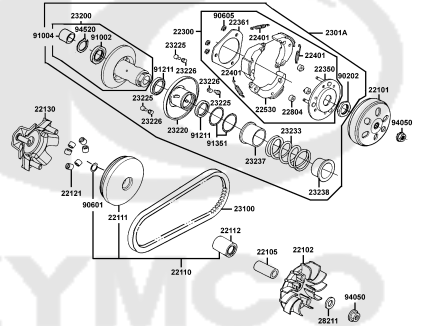
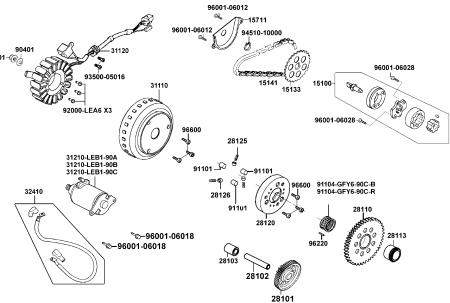
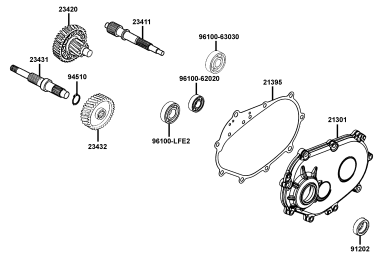
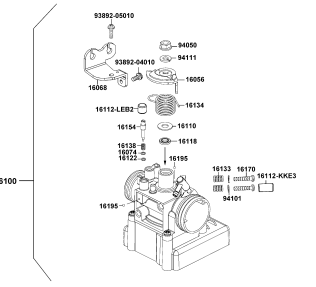
NO	MODEL			COLOR CHART OF SK25AA(MK)							
	PHOTO NO			NO. 1	NO. 2	NO. 3	NO. 4				
	BASIC COLOR				Bright Silver		Dark Gray Metallic				
	CODE				Bright Silver		Dark Gray Metallic				
	PARTS NAME	PARTS NO.	VERSION	NH045MA	NH045MA	NH124MA	NH124MA				
26	FLOOR PANEL L	64330-LEA7-E00	5	N1R							
27	MAT L FLOOR	64340-LEA7-E00	3								
28	MAT R LEG SHIELD	64350-LEA7-E00	5								
29	MAT L LEG SHIELD	64360-LEA7-E00	3								
30	COWL UNDER	64400-LEA7-E00	6								
31	UNDER COWL LOW	64500-LEA7-E00	4								
32	FENDER RR TIRE	80100-LEA7-E00	6								
33	FENDER RR INNER	80101-LEA7-E00	4								
34	FENDER RR	80105-LEA7-E00	4								
35	FENDER LOW RR	80106-LEA7-E00	3								
36	COVER LICENSE LIGHT	80107-LEA7-E00	3								
37	COVER CENTER	80151-LEA7-E00	4								
38	COVER PLUG MAINT	80152-LEA7-E00	7								
39	LEG SHIELD	81131-LEA7-E00	8								
40	LID L/H FR INNER BOX	81132-LEA7-E00	8								
41	BOX L/H FR INNER	81134-LEA7-E00	6								
42	FR INNER BOX.ASSY.	8113A-LEA7-E00	9								
43	COVER PROTECTOR	83503-KHD6-900	2								
44	CAP MIRROR BRKT	88115-LBA2-E02	1								
45	COVER FR	64301-LEA7-E00	2					N8P		NFP	
46	COVER R BODY	83500-LEA7-E00	3								
47	COVER L BODY	83600-LEA7-E00	3								
48	COVER RR CENTER	83750-LEA7-E00	2								
49	COVER COMP..R.	11330-LFA7-E00	9					NEA			
50	COVER WATER PUMP	19221-LFA7-E00	2								
DATE OF STARTING-SALES											
DATE OF END-SALES											

NO	MODEL			COLOR CHART OF SK25AA(MK)							
	PHOTO NO			NO. 5	NO. 6	NO. 7	NO. 8				
	BASIC COLOR			Pearly White			Dark Redish Brown				
	CODE			Pearly White			Dark Redish Brown				
	PARTS NAME	PARTS NO.	VERSION	NH193PA	NH193PA	RR174MA	RR174MA				
26	FLOOR PANEL L	64330-LEA7-E00	5	N1R							
27	MAT L FLOOR	64340-LEA7-E00	3								
28	MAT R LEG SHIELD	64350-LEA7-E00	5								
29	MAT L LEG SHIELD	64360-LEA7-E00	3								
30	COWL UNDER	64400-LEA7-E00	6								
31	UNDER COWL LOW	64500-LEA7-E00	4								
32	FENDER RR TIRE	80100-LEA7-E00	6								
33	FENDER RR INNER	80101-LEA7-E00	4								
34	FENDER RR	80105-LEA7-E00	4								
35	FENDER LOW RR	80106-LEA7-E00	3								
36	COVER LICENSE LIGHT	80107-LEA7-E00	3								
37	COVER CENTER	80151-LEA7-E00	4								
38	COVER PLUG MAINT	80152-LEA7-E00	7								
39	LEG SHIELD	81131-LEA7-E00	8								
40	LID L/H FR INNER BOX	81132-LEA7-E00	8								
41	BOX L/H FR INNER	81134-LEA7-E00	6								
42	FR INNER BOX.ASSY.	8113A-LEA7-E00	9								
43	COVER PROTECTOR	83503-KHD6-900	2								
44	CAP MIRROR BRKT	88115-LBA2-E02	1								
45	COVER FR	64301-LEA7-E00	2					NVP		EFP	
46	COVER R BODY	83500-LEA7-E00	3								
47	COVER L BODY	83600-LEA7-E00	3								
48	COVER RR CENTER	83750-LEA7-E00	2					NEA			
49	COVER COMP..R.	11330-LFA7-E00	9								
50	COVER WATER PUMP	19221-LFA7-E00	2								
DATE OF STARTING-SALES											
DATE OF END-SALES											

NO	MODEL			COLOR CHART OF SK25AA(MK)			
	PHOTO NO			NO. 1	NO. 2	NO. 3	NO. 4
	BASIC COLOR				Bright Silver		Dark Gray Metallic
	CODE				Bright Silver		Dark Gray Metallic
	PARTS NAME	PARTS NO.	VERSION	NH045MA	NH045MA	NH124MA	NH124MA
51	WHEEL COMP RR	42601-LEA7-E00	7	NEA			
52	CALIPER ASSY RR	43100-LEA7-E00	6				
53	WHEEL ASSY FR	44600-LEA7-305	0				
54	CALIPER ASSY FR	45200-LEA7-E00	7				
55	FORK ASSY R FR	51400-LEA7-E00	6				
56	BOTTOM CASE R	51420-LEA7-E00	0				
57	FORK ASSY L FR	51500-LEA7-E00	6				
58	BOTTOM CASE L	51520-LEA7-E00	0				
59	FORK ASSY. RR	52000-LFA7-E00	5				
60	CAP AC GENERATOR	90084-KKF9-901	0				
61	CAP ASSY 30MM	9008A-KBE2-900	0	NEP			
62	BOARD R FR COVER	64303-LEA7-E00	3				
63	BOARD L FR COVER	64304-LEA7-E00	3				
64	SKIRT R SIDE	64305-LEA7-E00	3				
65	SKIRT L SIDE	64306-LEA7-E00	3				
66	MOLDING RR CENTER	83751-LEA7-E00	2				
67	CUSHION ASSY. RR	52400-LFA7-E00	3				
68	SEAT ASSY	77200-LEA7-305	0				
69	EMB K-LOGO 30MM	86102-LEA5-E00	1				
70	EMB BODY COVER	86202-LEA7-E01	3				
71	EMB MARK 125i	87140-LFA7-E00	4	T01			
72	CAUTION ANTI	87224-LFA7-EY0	1				
73	LABEL TIRE	87505-LEA7-E01	1				
74	LABEL CLEANNESS	87508-KKC4-E00	1				
75	CAUTION FILTER	87512-KEBE-E00	0				
DATE OF STARTING-SALES							
DATE OF END-SALES							

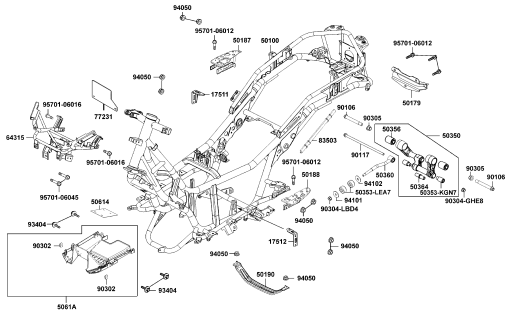
NO	MODEL			COLOR CHART OF SK25AA(MK)							
	PHOTO NO			NO. 5	NO. 6	NO. 7	NO. 8				
	BASIC COLOR			Pearly White			Dark Redish Brown				
	CODE			Pearly White			Dark Redish Brown				
	PARTS NAME	PARTS NO.	VERSION	NH193PA	NH193PA	RR174MA	RR174MA				
51	WHEEL COMP RR	42601-LEA7-E00	7	NEA							
52	CALIPER ASSY RR	43100-LEA7-E00	6								
53	WHEEL ASSY FR	44600-LEA7-305	0								
54	CALIPER ASSY FR	45200-LEA7-E00	7								
55	FORK ASSY R FR	51400-LEA7-E00	6								
56	BOTTOM CASE R	51420-LEA7-E00	0								
57	FORK ASSY L FR	51500-LEA7-E00	6								
58	BOTTOM CASE L	51520-LEA7-E00	0								
59	FORK ASSY. RR	52000-LFA7-E00	5								
60	CAP AC GENERATOR	90084-KKF9-901	0								
61	CAP ASSY 30MM	9008A-KBE2-900	0								
62	BOARD R FR COVER	64303-LEA7-E00	3					NEP			
63	BOARD L FR COVER	64304-LEA7-E00	3								
64	SKIRT R SIDE	64305-LEA7-E00	3								
65	SKIRT L SIDE	64306-LEA7-E00	3								
66	MOLDING RR CENTER	83751-LEA7-E00	2					NES			
67	CUSHION ASSY. RR	52400-LFA7-E00	3								
68	SEAT ASSY	77200-LEA7-305	0					T01			
69	EMB K-LOGO 30MM	86102-LEA5-E00	1								
70	EMB BODY COVER	86202-LEA7-E01	3								
71	EMB MARK 125i	87140-LFA7-E00	4								
72	CAUTION ANTI	87224-LFA7-EY0	1								
73	LABEL TIRE	87505-LEA7-E01	1								
74	LABEL CLEANNESS	87508-KKC4-E00	1								
75	CAUTION FILTER	87512-KEBE-E00	0								
DATE OF STARTING-SALES											
DATE OF END-SALES											

CONTENTS - ENGINE GROUP

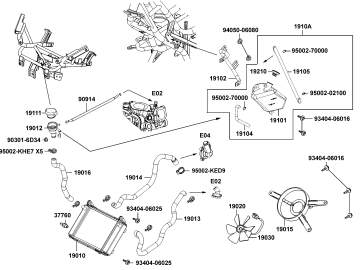
E01 Crank Case	E02 Cylinder Head Cover Cylinder	E03 Cylinder Piston Crankshaft
		
<p>E04 Right Crankcase Cover</p> 	<p>E05 Pulley</p> 	<p>E06 Starting Motor Oil</p> 
<p>E07 Transmission</p> 	<p>E08 Throttle Body Assy</p> 	

CONTENTS - FRAME GROUP

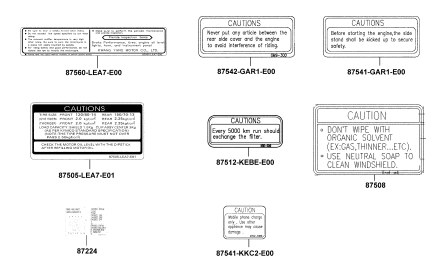
F19 Frame Body



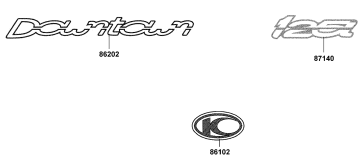
F20 Radiator



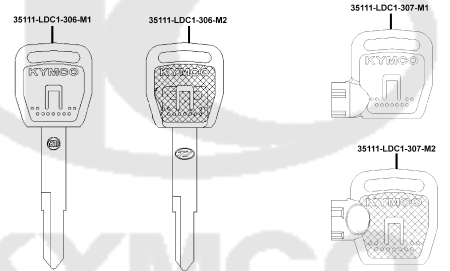
F21 Caution Label



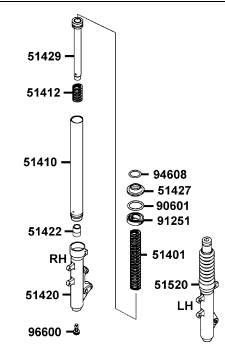
F22 EmblemStripe



F23 Key Comp

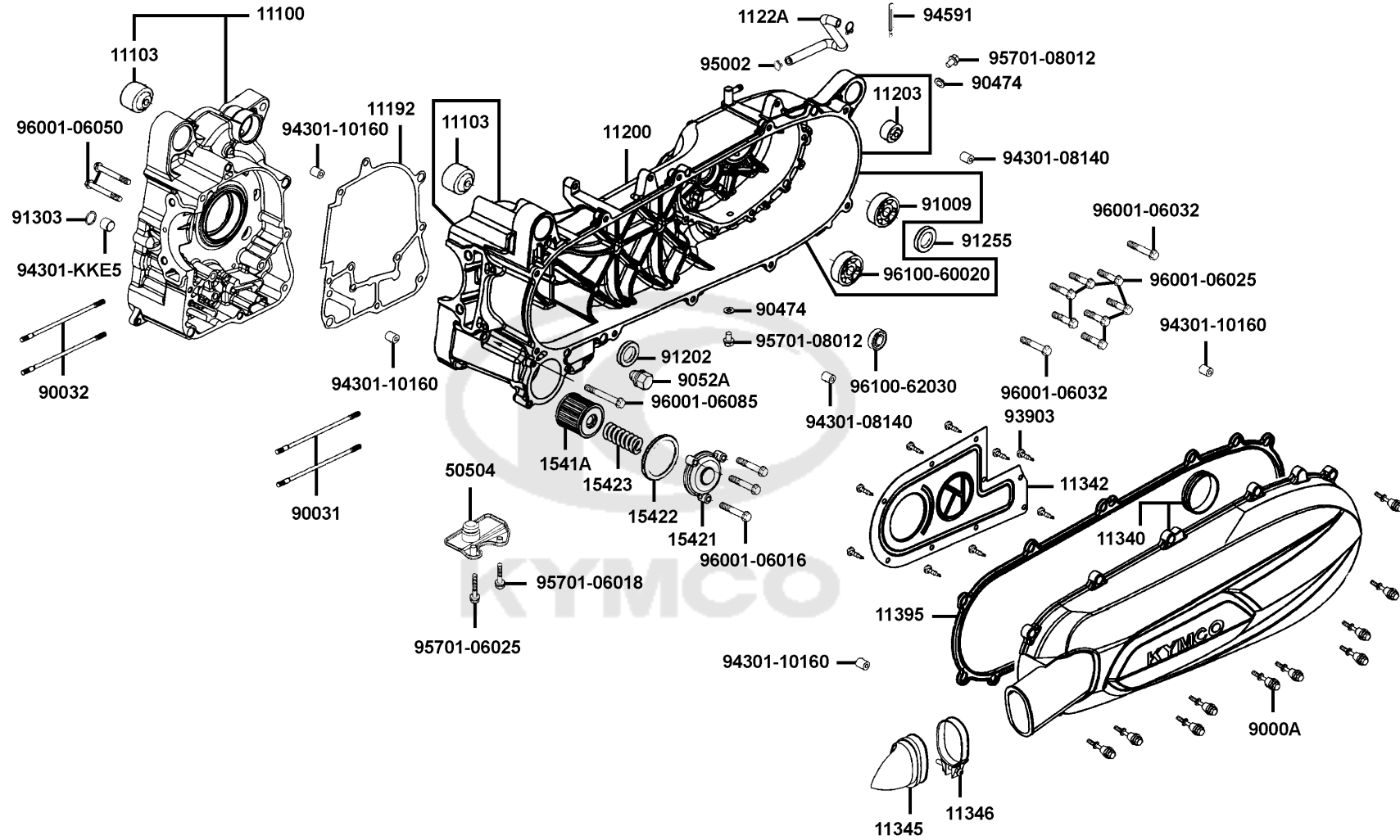


F24 Separated Parts Of Fr Fork



E01

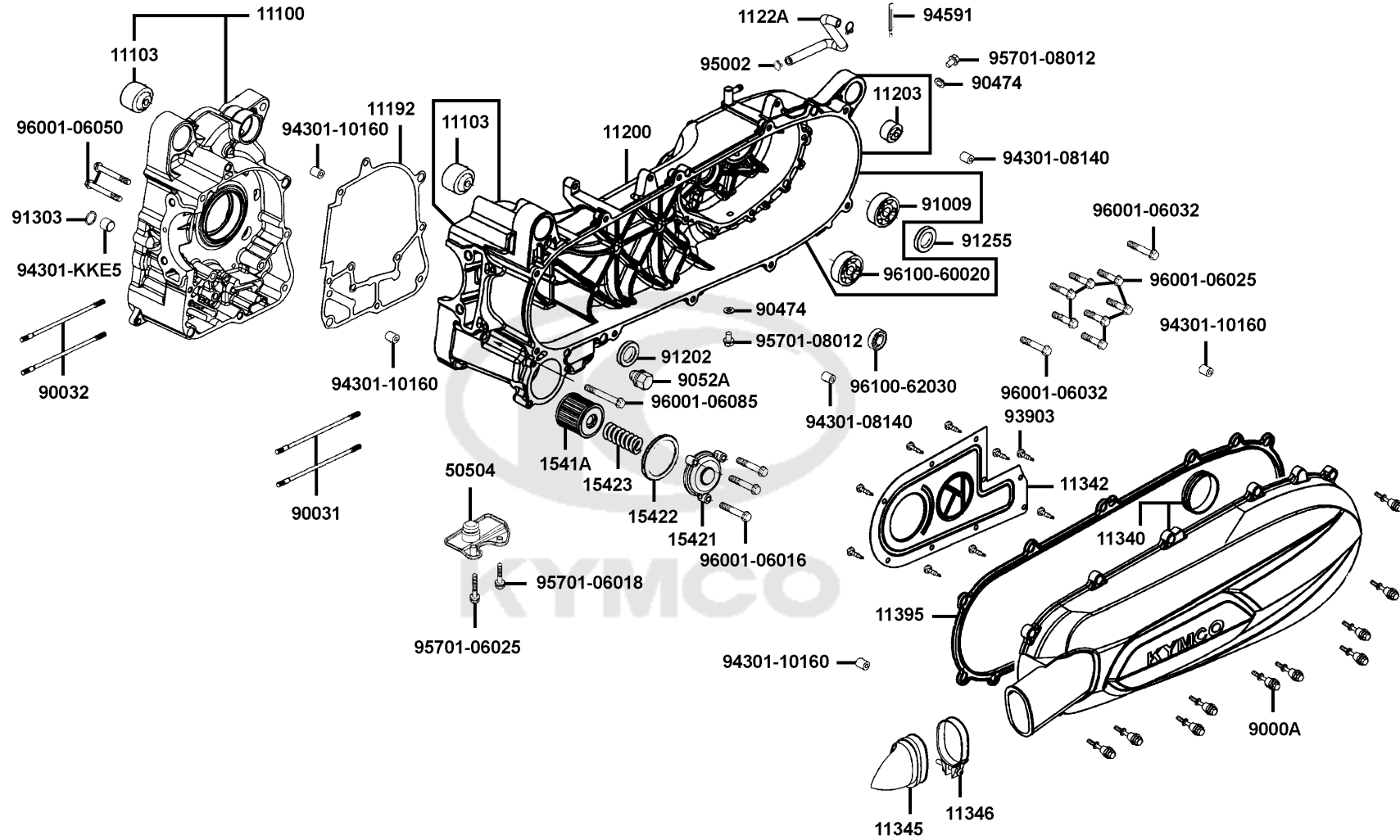
Crank Case



Sales mark	Ref no	Part no	Description	Reg description	Regd no	E01
	11100	11100-LFA7-305	CRANK CASR COMP RIGHT	CRANK CASR COMP RIGHT	1	
	11103	11103-KHE7-900	RUB BUSH ENG HANGER	RUB BUSH ENG HANGER	2	
	11192	11192-LFA7-E00	GASKET CRANK CASE @A	GASKET CRANK CASE @A	1	
	11200	11200-LFA7-305	CRANK CASE COMP LEFT	CRANK CASE COMP LEFT	1	
	11203	11203-LBA2-E00	RUB BUSH L CASE	RUB BUSH L CASE	2	
	1122A	1122A-LEB1-900	TUBE ASSY BREATHER	TUBE ASSY BREATHER	1	
**	11340	11340-LFA7-E00	COVER COMP L SIDE	COVER COMP L SIDE	1	
	11342	11342-LFA7-900	PLATE. L. COVER	PLATE. L. COVER	1	
	11342	11342-LFA7-E00	PLATE L COVER	PLATE L COVER	1	
	11345	11345-LEA7-E00	DUCT L COVER	DUCT L COVER	1	
	11346	11346-GFY6-901	BAND L COVER DUCT	BAND L COVER DUCT	1	
	11395	11395-LFA7-E00	GASKET L COVER	GASKET L COVER	1	
	1541A	1541A-LEA7-E00	ELEMENT ASSY., OIL FILTER	ELEMENT ASSY., OIL FILTER	1	
	15421	15421-KKC3-900	CAP OIL FILTER	CAP OIL FILTER	1	
	15422	15422-KKC3-900	O RING 53.65*2.62	O RING 53.65*2.62	1	
	15423	15423-KKC3-900	SPRING CAP OIL	SPRING CAP OIL	1	
	50504	50504-LFA7-E00	STAY MAIN STAND COMP.	STAY MAIN STAND COMP.	1	
	9000A	9000A-KTDT-900	BOLT ASSY SPECIAL 6*29.5	BOLT ASSY SPECIAL 6*29.5	10	
	90031	90031-KHD6-900	BOLT A STUD 8*218	BOLT A STUD 8*218	2	
	90032	90032-KHD6-900	BOLT B STUD 8*210	BOLT B STUD 8*210	2	

E01

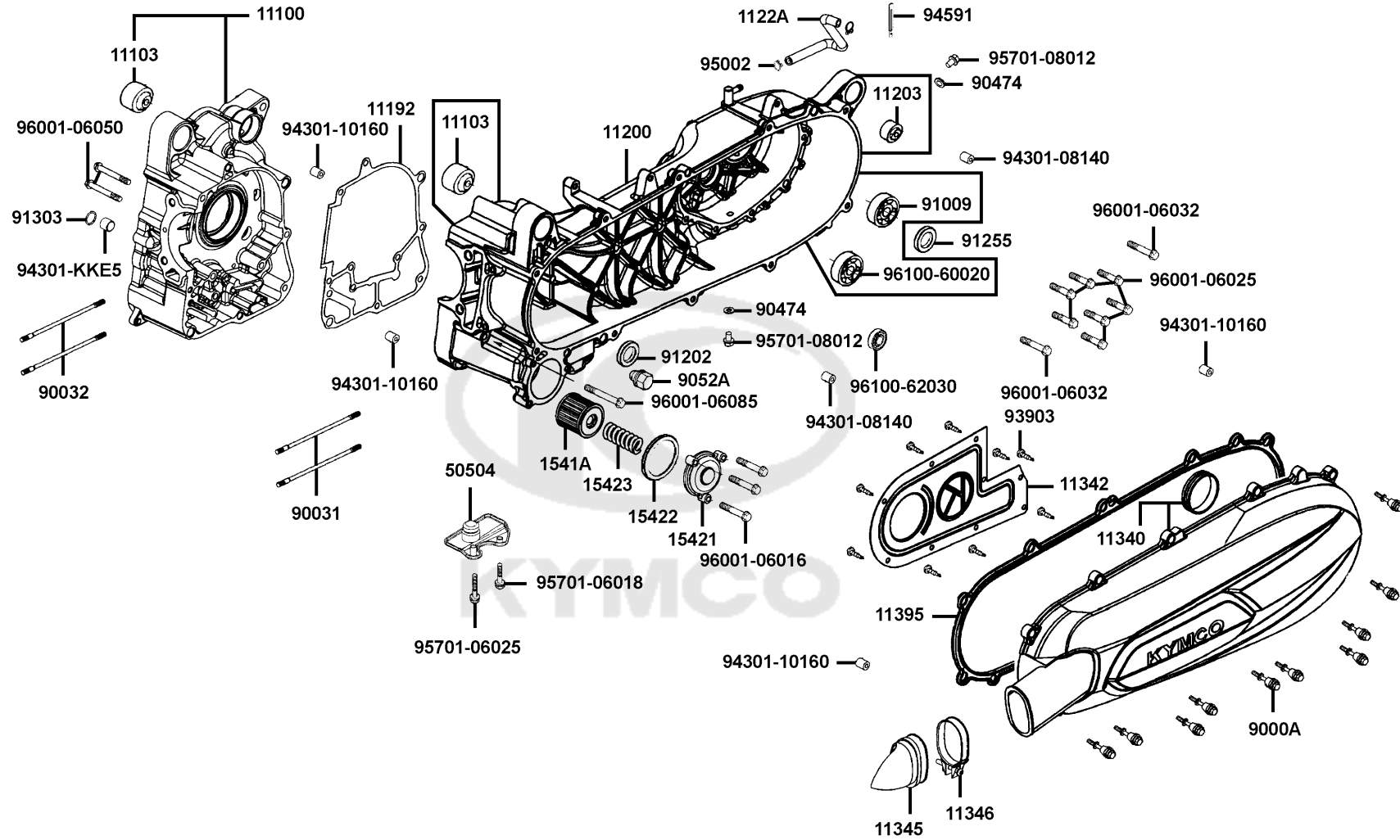
Crank Case



Sales mark	Ref no	Part no	Description	Reg description	Regd no	E01
90474		90474-3C33-001	WASHER 8MM	WASHER 8MM	2	
9052A		9052A-LEB1-900	BOLT ASSY DRAIN PLUG	BOLT ASSY DRAIN PLUG	1	
91009		91009-KHE7-900	BRG BALL RADIAL 6205LLU	BRG BALL RADIAL 6205LLU	1	
91202		91202-LEB1-900	OIL SEAL 25*35*5	OIL SEAL 25*35*5	1	
91255		91255-KHE7-900	OIL SEAL 34*52*7	OIL SEAL 34*52*7	1	
91303		91303-KKE5-E00	O-RING 14.8x2.4	O-RING 14.8x2.4	1	
93903		93903-35360	SCREW TAPPING 5*16	SCREW TAPPING 5*16	9	
94301-08140		94301-08140	PIN A DOWEL 8*14	PIN A DOWEL 8*14	2	
94301-10160		94301-10160	DOWEL PIN 10*16	DOWEL PIN 10*16	4	
94301-KKE5		94301-KKE5-E00	DOWEL PIN 15x10	DOWEL PIN 15x10	1	
94591		94591-LEE8-E00	CLIP 2*100	CLIP 2*100	1	
95002		95002-50000	CLIP C9 TUBE	CLIP C9 TUBE	1	
95701-06018		95701-06018-08	BOLT FLANGE 6*18	BOLT FLANGE 6*18	1	
95701-06025		95701-06025-08	BOLT FLANGE 6*25	BOLT FLANGE 6*25	1	
95701-08012		95701-08012-08	BOLT FLANGE 8X12	BOLT FLANGE 8X12	2	
96001-06016		96001-06016-08	BOLT FLANGE SH 6*16	BOLT FLANGE SH 6*16	3	
96001-06025		96001-06025-08	BOLT FLANGE SH 6*25	BOLT FLANGE SH 6*25	7	
96001-06032		96001-06032-08	BOLT FLANGE 6*32	BOLT FLANGE 6*32	2	
96001-06050		96001-06050-08	BOLT FLANGE SH 6*50	BOLT FLANGE SH 6*50	2	
96001-06085		96001-06085-08	BOLT FLANGE SH 6*85	BOLT FLANGE SH 6*85	1	

E01

Crank Case

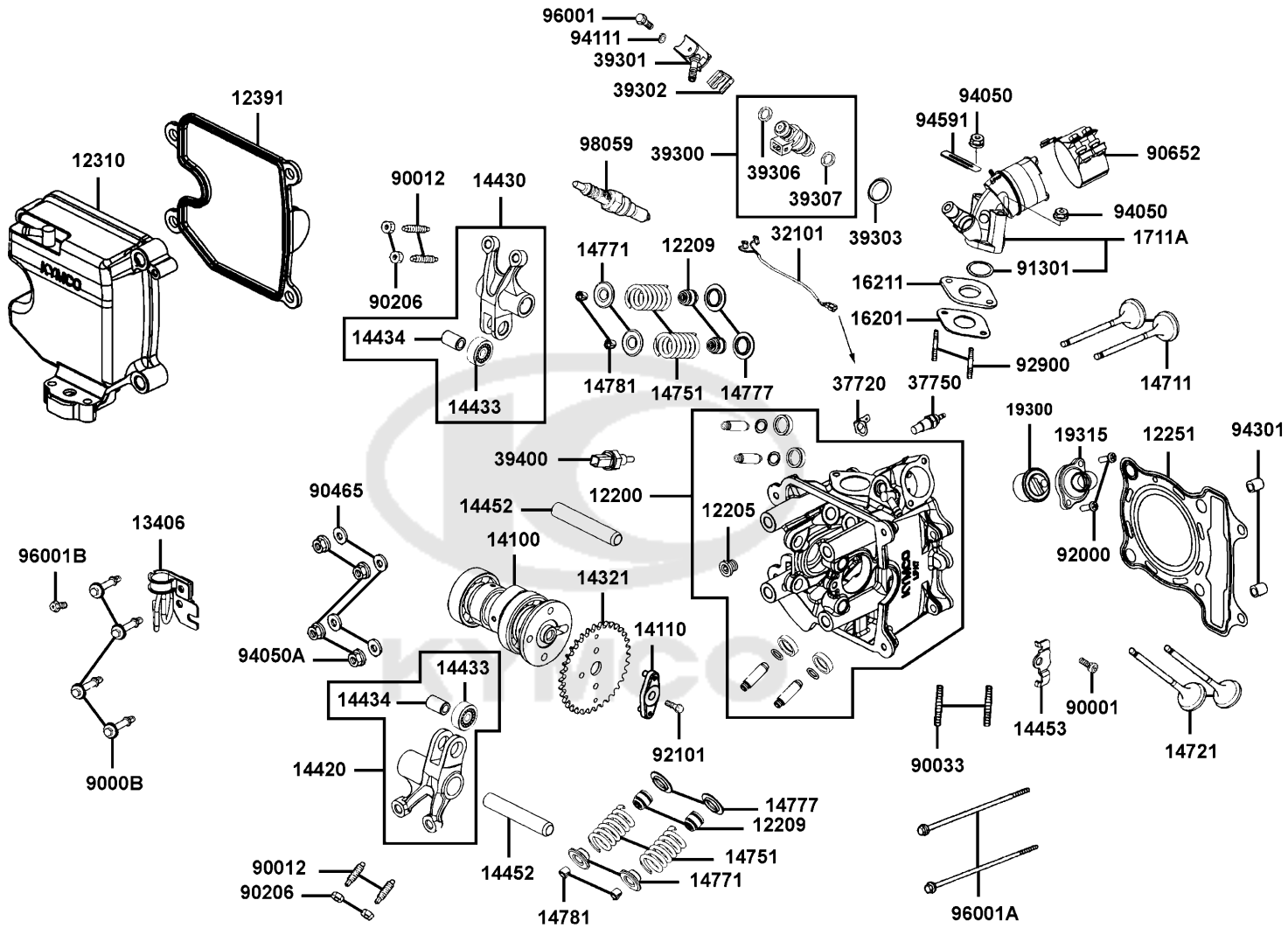


Sales mark	Ref no	Part no	Description	Reg description	Regd no	E01
------------	--------	---------	-------------	-----------------	---------	------------

96100-60020		96100-60020-00	BRG BALL RADIAL 6002	BRG BALL RADIAL 6002	1	
96100-62030		96100-62030-00	BRG BALL 6203	BRG BALL 6203	1	

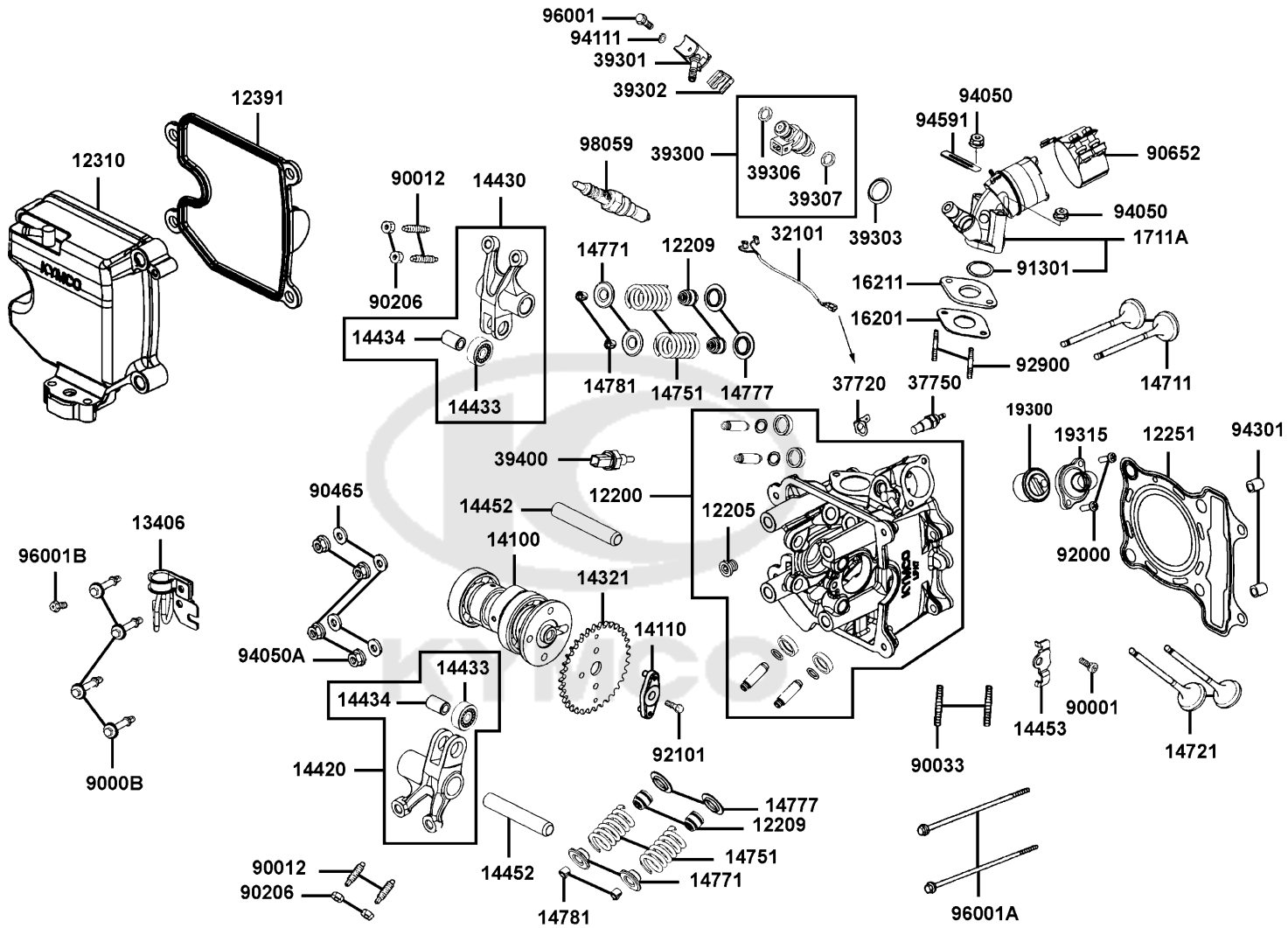


Cylinder Head Cover Cylinder Head



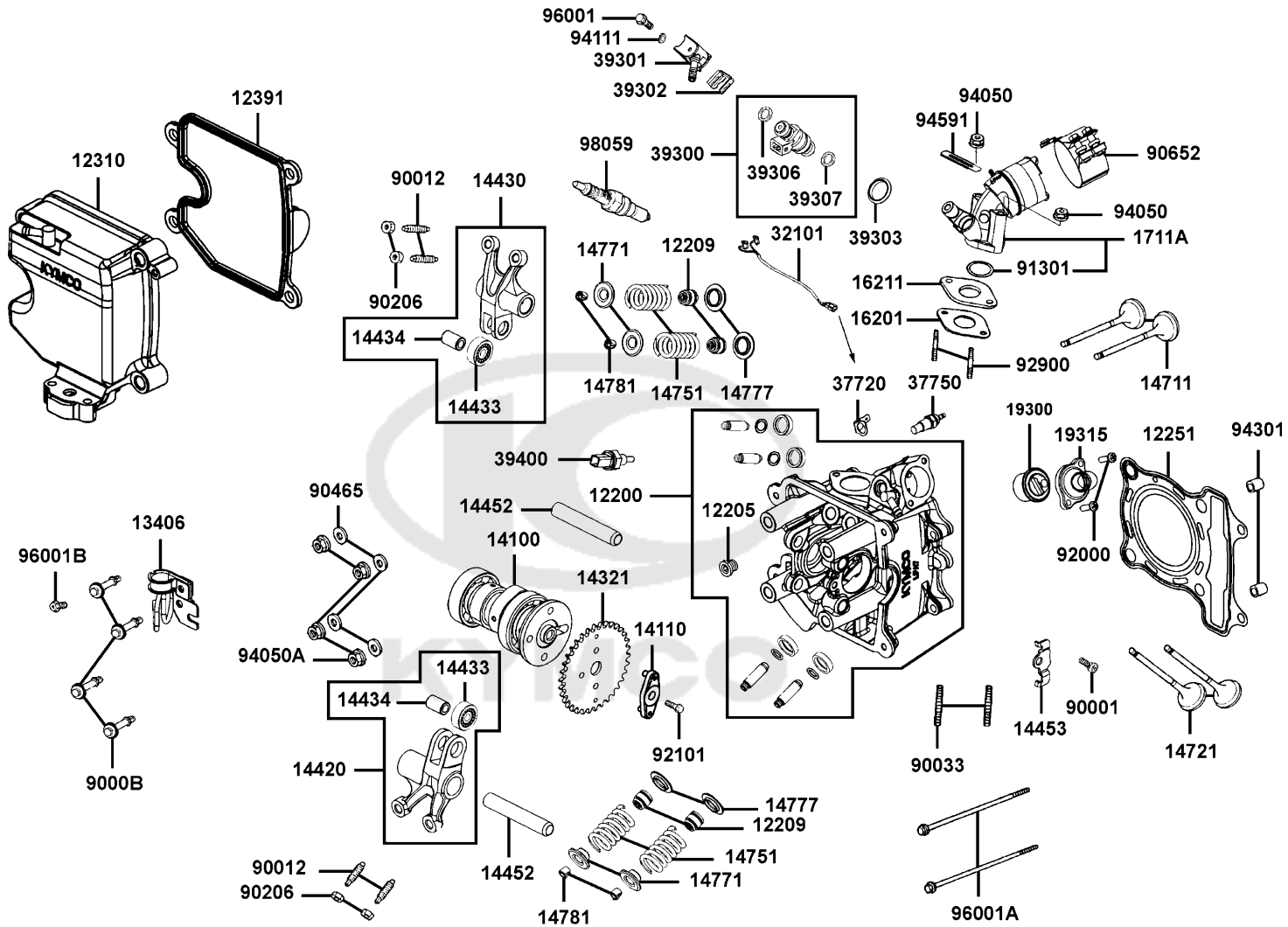
Sales mark	Ref no	Part no	Description	Reg description	Regd no	E02
12200		12200-LFA7-E00	HEAD COMP.. CYLN	HEAD COMP.. CYLN	1	
12205		12205-KHE8-301	BOLT SEALING 12MM	BOLT SEALING 12MM	1	
12209		12209-LEA2-90A	SEAL VALVE STEM	SEAL VALVE STEM	4	
12251		12251-LFA7-E00	GASKET CYLINDER HEAD	GASKET CYLINDER HEAD	1	
12310		12310-LFA7-E00	COVER COMP HEAD	COVER COMP HEAD	1	
12391		12391-LFA7-E00	GASKET HEAD COVER	GASKET HEAD COVER	1	
13406		13406-LFA7-E00	STAY.FUEL HOSE	STAY.FUEL HOSE	1	
14100		14100-LFA7-E00	SHAFT COMP.. CAM	SHAFT COMP.. CAM	1	
14110		14110-LEB1-900	FIXTURE CAMSHAFT	FIXTURE CAMSHAFT	1	
14321		14321-LEB1-900	SPROCKET CAM	SPROCKET CAM	1	
14420		14420-LEB1-900	ARM COMP EXH VALVE ROCKER	ARM COMP EXH VALVE ROCKER	1	
14430		14430-LEB1-900	ARM COMP IN VALVE ROCKER	ARM COMP IN VALVE ROCKER	1	
14433		14433-LEB1-900	ROLLER ASSY ROCKER ARM	ROLLER ASSY ROCKER ARM	1	
14434		14434-LEB1-900	PIN ROCKER ARM	PIN ROCKER ARM	1	
14452		14452-LFA7-E00	SHAFT ROCKER ARM	SHAFT ROCKER ARM	1	
14453		14453-LFA7-E00	PLATE STOPPER	PLATE STOPPER	1	
14711		14711-LFA7-E00	VALVE INLET	VALVE INLET	2	
14721		14721-LFA7-E00	VALVE EXHAUST	VALVE EXHAUST	2	
14751		14751-KHD6-900	SPG VALVE OUTER	SPG VALVE OUTER	4	
14771		14771-LEA2-900	RETAINER UPPER SPRING	RETAINER UPPER SPRING	4	

Cylinder Head Cover Cylinder Head



Sales mark	Ref no	Part no	Description	Reg description	Regd no	E02
14777		14777-LFA7-E00	SEAT. VALVE SPG	SEAT. VALVE SPG	4	
14781		14781-KKE5-E00	COTTER VALVE	COTTER VALVE	8	
16201		16201-LFE2-900	GASKET CARB INSULATOR A	GASKET CARB INSULATOR A	1	
16211		16211-LFE2-900	INSULATOR, CARB	INSULATOR, CARB	1	
1711A		1711A-LFA7-E00	INLET PIPE ASSY	INLET PIPE ASSY	1	
19300		19300-LFA7-E0A	THERNOSTAT ASSY	THERNOSTAT ASSY	1	
19300		19300-LFA7-E0B	THERMOSTAT ASSY.	THERMOSTAT ASSY.	1	
19315		19315-LFA7-E00	COVER COMP THERMOSTAT	COVER COMP THERMOSTAT	1	
32101		32101-LEA7-E00	SUB HARNESS THERMO UNIT	SUB HARNESS THERMO UNIT	1	
37720		37720-KGB5-900	EARTH TERMINAL THERMO	EARTH TERMINAL THERMO	1	
37750		37750-PAC1-005	THERMO UNIT ASSY	THERMO UNIT ASSY	1	
39300		39300-LEB2-800	FUEL INJECTOR	FUEL INJECTOR	1	
39301		39301-LEB2-900	HOLDER ASSY FUEL	HOLDER ASSY FUEL	1	
39302		39302-KKE3-900	CLIP SPRING FUEL INJECTOR	CLIP SPRING FUEL INJECTOR	1	
39303		39303-LEB2-900	SEAL HIGH TENSION FUEL INJECT	SEAL HIGH TENSION FUEL INJECT	1	
39306		39306-LEB2-305	O-RING A INJECTOR /BLACK	O-RING A INJECTOR /BLACK	1	
39307		39307-LEB2-305	O-RING B INJECTOR /GREEN	O-RING B INJECTOR /GREEN	1	
39400		39400-LDF2-800	WATER TEMP SENSOR	WATER TEMP SENSOR	1	
90001		90001-GFY6-901	SOCKET BOLT 6*10	SOCKET BOLT 6*10	1	
9000B		9000B-KHD6-900	BOLT ASSY SPECIAL 6*41.5	BOLT ASSY SPECIAL 6*41.5	4	

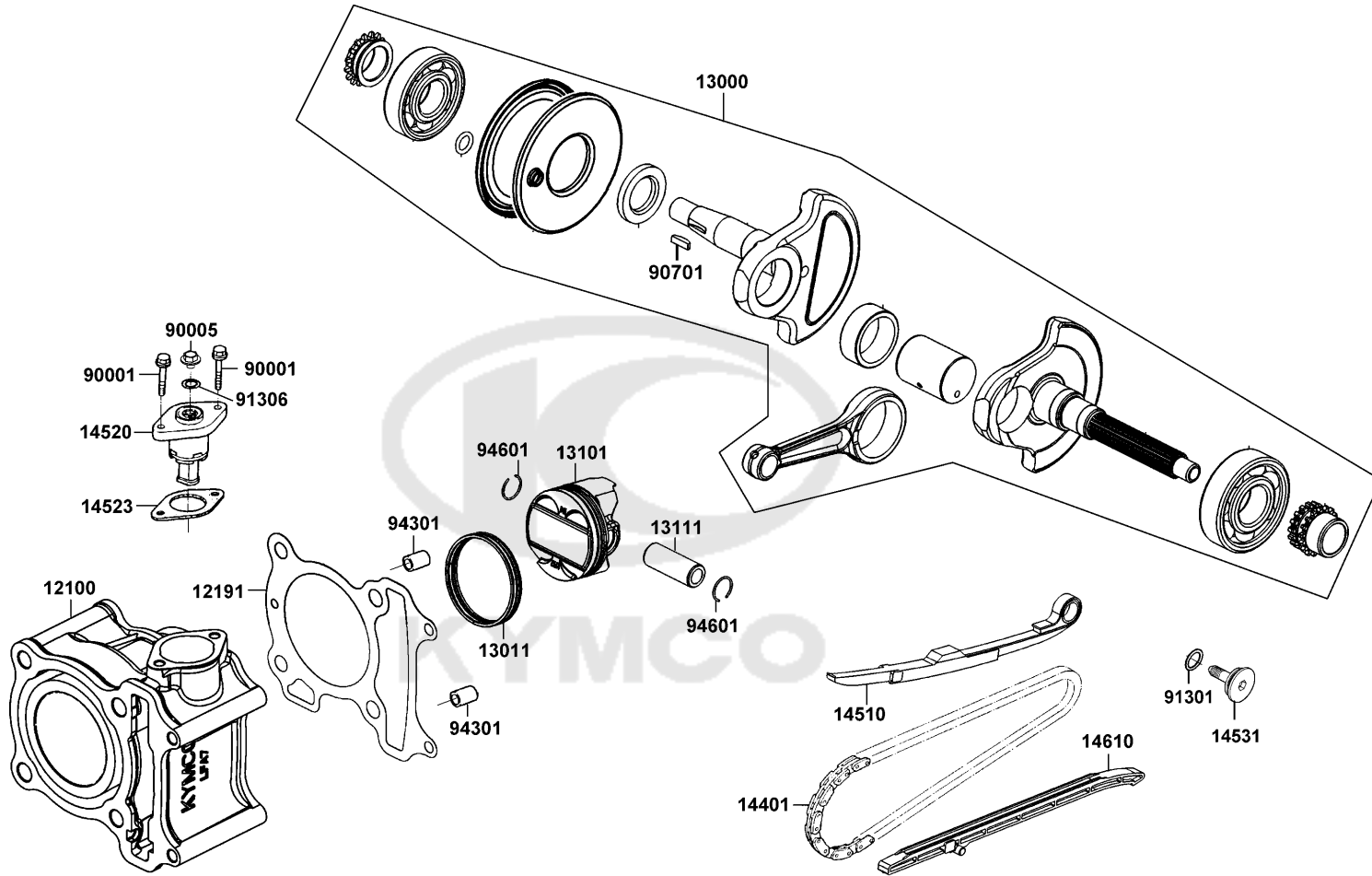
Cylinder Head Cover Cylinder Head



Sales mark	Ref no	Part no	Description	Reg description	Regd no	E02
90012		90012-3C33-001	SCREW TAPPET ADJUSTING	SCREW TAPPET ADJUSTING	2	
90033		90033-GFY6-900	BOLT STUD 8*32	BOLT STUD 8*32	2	
90206		90206-0A01-001	NUT TAPPET ADJG	NUT TAPPET ADJG	2	
90465		90465-MDC4-001	WASHER 8MM	WASHER 8MM	4	
90652		90652-LGJ9-900	BAND 48 INLET-PIPE	BAND 48 INLET-PIPE	1	
91301		91301-LEB1-900	O-RING 30*2	O-RING 30*2	1	
92000		92000-05016-0H	BOLT HEX 5*16	BOLT HEX 5*16	2	
92101		92101-06014-0H	BOLT HEX 6*14	BOLT HEX 6*14	1	
92900		92900-06060-0B	BOLT STUD 6*60	BOLT STUD 6*60	2	
94050		94050-06080	NUT FLANGE 6MM	NUT FLANGE 6MM	2	
94050A		94050-08080	NUT FLANGE 8MM	NUT FLANGE 8MM	4	
94111		94111-06800	WASHER SPRING 6MM	WASHER SPRING 6MM	1	
94301		94301-10160	DOWEL PIN 10*16	DOWEL PIN 10*16	2	
94591		94591-KFBF-900	CLIP 2*70	CLIP 2*70	1	
96001		96001-06014-08	BOLT FLANGE 6*14	BOLT FLANGE 6*14	1	
96001A		96001-06100-08	BOLT FLANGE SH 6*100	BOLT FLANGE SH 6*100	2	
96001B		96001-LAB4-900	BOLT SPECIAL 5*16	BOLT SPECIAL 5*16	1	
98059		98059-57916-00	SPARK PLUG CR7E	SPARK PLUG CR7E	1	

E03

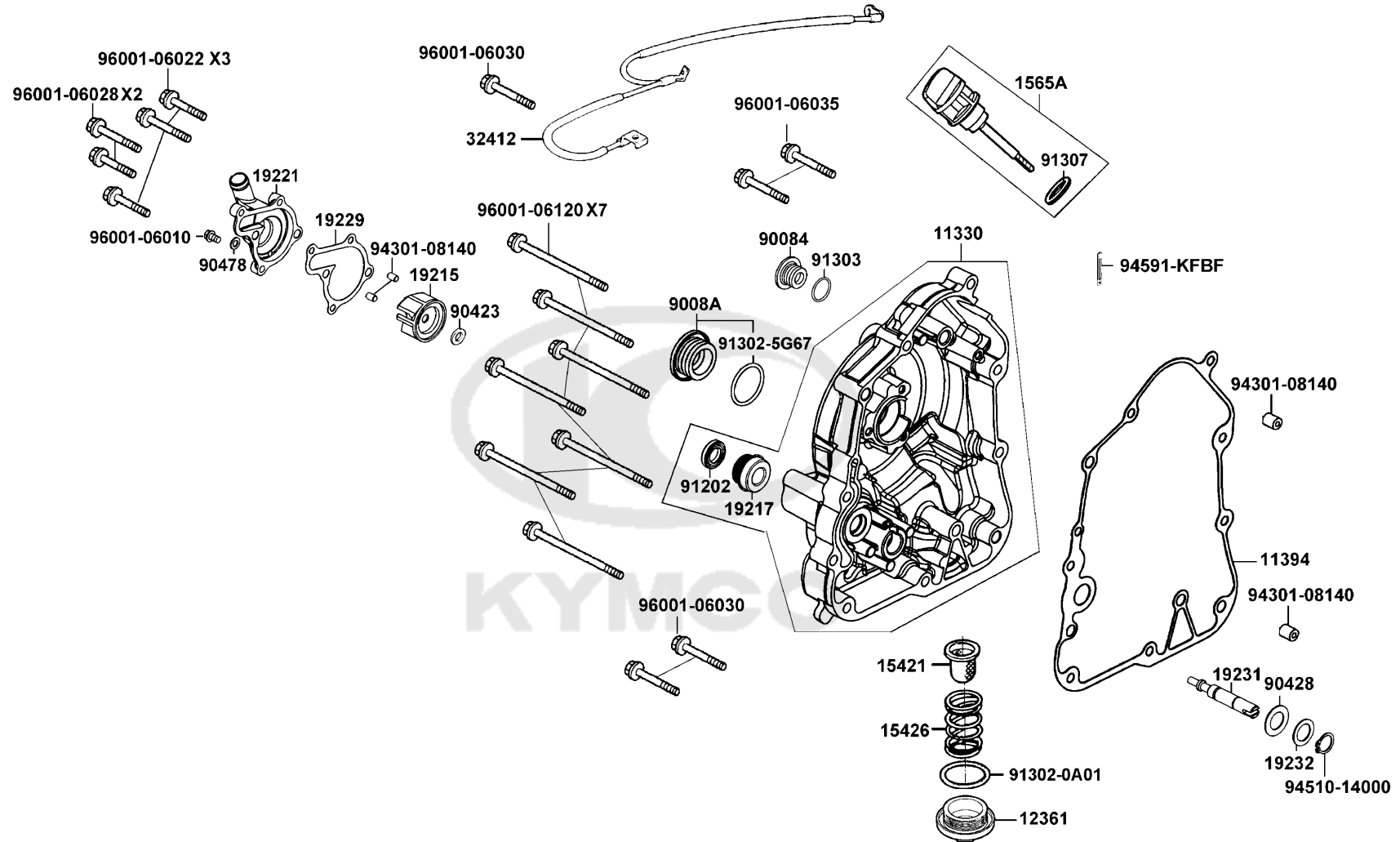
Cylinder Piston Crankshaft



Sales mark	Ref no	Part no	Description	Reg description	Regd no	E03
	12100	12100-LFA7-E00	CYLINDE COMP	CYLINDE COMP	1	
	12191	12191-LFA7-E00	GASKET CYLINDER	GASKET CYLINDER	1	
	13000	13000-LFA7-E00	CRANK SHAFT COMP.	CRANK SHAFT COMP.	1	
	13011	13011-LEB1-90A	RING ASSY PISTON	RING ASSY PISTON	1	
	13011	13011-LEB1-90B	RING SET PISTON	RING SET PISTON	1	
	13101	13101-LFA7-E00	PISTON	PISTON	1	
	13111	13111-LFA7-E00	PIN PISTON	PIN PISTON	1	
	14401	14401-LFA7-E00	CHAIN CAM	CHAIN CAM	1	
	14510	14510-LEB1-900	TENSIONER CAM CHAIN	TENSIONER CAM CHAIN	1	
	14520	14520-LFA7-E00	LIFTER ASSY TENSIONER	LIFTER ASSY TENSIONER	1	
	14523	14523-KED9-900	GASKET TENSIONER LIFTER @A	GASKET TENSIONER LIFTER @A	1	
	14531	14531-GLR0-001	PIVOT CAM CHAIN TENSIONER	PIVOT CAM CHAIN TENSIONER	1	
	14610	14610-LEB1-900	GUIDE COMP CAM CHAIN	GUIDE COMP CAM CHAIN	1	
	90001	90001-GBHB-661	BOLT FLANGE SH 6*22	BOLT FLANGE SH 6*22	2	
	90005	90005-KEC8-900	BOLT SPECIAL 6*6	BOLT SPECIAL 6*6	1	
	90701	90701-HFB6-011	KEY WOODRUFF 25*14*4	KEY WOODRUFF 25*14*4	1	
	91301	91301-GLR0-005	O-RING 15.2*1.5	O-RING 15.2*1.5	1	
	91306	91306-1E05-691	O-RING 1.5*9.5	O-RING 1.5*9.5	1	
	94301	94301-10160	DOWEL PIN 10*16	DOWEL PIN 10*16	2	
	94601	94601-14000	CLIP PISTON PIN 12MM	CLIP PISTON PIN 12MM	2	

E04

Right Crankcase Cover

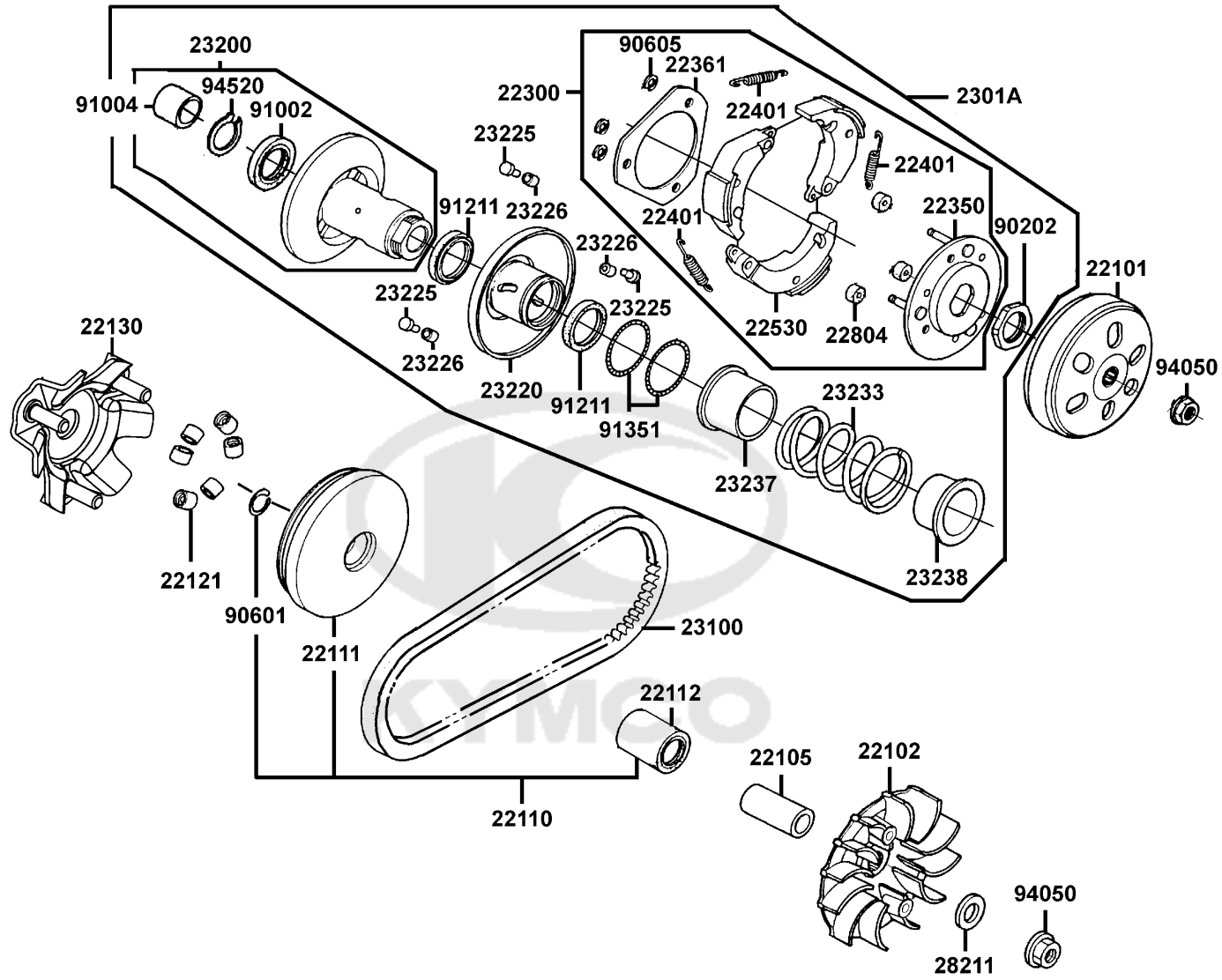


Sales mark	Ref no	Part no	Description	Reg description	Regd no	E04
**	11330	11330-LFA7-E00	COVER COMP..R. CRANK CASE	COVER COMP..R. CRANK CASE	1	
	11394	11394-LFA7-E00	GASKET,R. COVER@A	GASKET,R. COVER@A	1	
	12361	12361-GFY6-901	HOLE CAP TAPPET ADJUSTING	HOLE CAP TAPPET ADJUSTING	1	
	15421	15421-1G07-001	SCREEN OIL FILTER	SCREEN OIL FILTER	1	
	15426	15426-GAE1-921	SPG OIL FILTER SCREEN	SPG OIL FILTER SCREEN	1	
	1565A	1565A-KUDU-900	GAUGE OIL LEVEL ASSY	GAUGE OIL LEVEL ASSY	1	
	19215	19215-KHE7-900	IMPELLER WATER PUMP	IMPELLER WATER PUMP	1	
	19217	19217-6G57-024	SEAL MECHANICAL	SEAL MECHANICAL	1	
**	19221	19221-LFA7-E00	COVER WATER PUMP	COVER WATER PUMP	1	
	19229	19229-LFA7-E00	GASKET WATER PUMP	GASKET WATER PUMP	1	
	19231	19231-LFA7-E00	SHAFT WATER PUMP	SHAFT WATER PUMP	1	
	19232	19232-LBA2-E00	WASHER 21*13.8*1.5	WASHER 21*13.8*1.5	1	
	32412	32412-LEA7-E00	CABLE EARTH	CABLE EARTH	1	
**	90084	90084-KKF9-901	CAP AC GENERATOR	CAP AC GENERATOR	1	
**	9008A	9008A-KBE2-900	CAP ASSY 30MM	CAP ASSY 30MM	1	
	90423	90423-KKJ9-001	WASHER 7.2*13*1.2	WASHER 7.2*13*1.2	1	
	90428	90428-9H58-001	WASHER THRUST 14MM	WASHER THRUST 14MM	1	
	90478	90478-7L00-001	WASHER A 6MM	WASHER A 6MM	1	
	91202	91202-KGB4-C00	OIL SEAL 13.7*24*5	OIL SEAL 13.7*24*5	1	
	91302-0A01	91302-0A01-021	O-RING 30.8MM	O-RING 30.8MM	1	

Sales mark	Ref no	Part no	Description	Reg description	Regd no	E04
	91302-5G67	91302-5G67-004	O-RING 27.4*2.4	O-RING 27.4*2.4	1	
	91303	91303-3G77-001	O-RING 13.8*2.5	O-RING 13.8*2.5	1	
	91307	91307-0E35-001	O RING 18*3	O RING 18*3	1	
	94301-08140	94301-08140	PIN A DOWEL 8*14	PIN A DOWEL 8*14	4	
	94510-14000	94510-14000	CIR CLIP EXTERNAL 14	CIR CLIP EXTERNAL 14	1	
	94591-KFBF	94591-KFBF-900	CLIP 2*70	CLIP 2*70	1	
	96001-06010	96001-06010-00	BOLT FLANGE SH 6X10	BOLT FLANGE SH 6X10	1	
	96001-06022	96001-06022-08	BOLT FLANGE SH 6*22	BOLT FLANGE SH 6*22	3	
	96001-06028	96001-06028-08	BOLT FLANGE SH 6*28	BOLT FLANGE SH 6*28	2	
	96001-06030	96001-06030-08	BOLT FLANGE SH 6*30	BOLT FLANGE SH 6*30	3	
	96001-06035	96001-06035-06	BOLT FLANGE SH 6*35	BOLT FLANGE SH 6*35	2	
	96001-06120	96001-06120-08	BOLT FLANGE 6*120	BOLT FLANGE 6*120	7	

E05

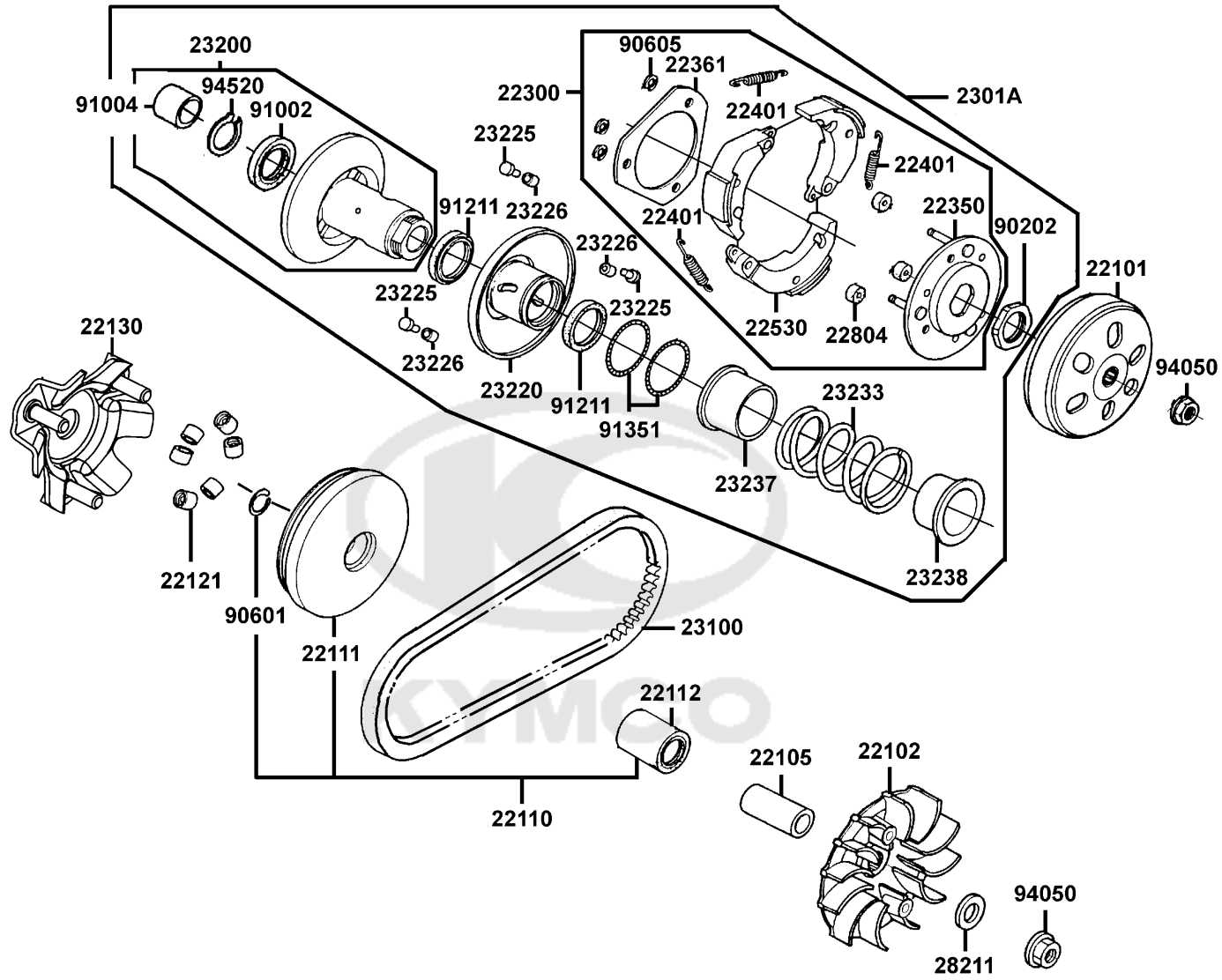
Pulley



Sales mark	Ref no	Part no	Description	Reg description	Regd no	E05
	22101	22101-GFY6-941	CLUTCH OUTER	CLUTCH OUTER	1	
	22101	22101-KEBE-900	OUTER CLUTCH	OUTER CLUTCH	1	
	22102	22102-LEB1-900	FACE DRIVE	FACE DRIVE	1	
	22105	22105-LFB5-900	BOSS,DRIVE FACE	BOSS,DRIVE FACE	1	
	22110	22110-LEB1-800	FACE COMP MOVABLE DRIVE	FACE COMP MOVABLE DRIVE	1	
	22111	22111-LEB1-800	FACE MOVABLE DRIVE	FACE MOVABLE DRIVE	1	
	22112	22112-GFY6-90A	BUSH 24*28*30	BUSH 24*28*30	1	
	22121	22121-GFY6-92A	ROLLER COMP WEIGHT	ROLLER COMP WEIGHT	6	
	22130	22130-LEB1-800	RAMP PLATE COMP	RAMP PLATE COMP	1	
	22300	22300-LFA7-E00	PLATE ASS.Y.DRIVE	PLATE ASS.Y.DRIVE	1	
	22300	22300-LHJ3-900	PLATE ASSY DRIVE	PLATE ASSY DRIVE	1	
	22350	22350-KGN7-671	PLATE COMP DRIVE	PLATE COMP DRIVE	1	
	22350	22350-LHJ3-900	PLATE COMP DRIVE	PLATE COMP DRIVE	1	
	22361	22361-KGN7-671	PLATE CLUTCH SIDE	PLATE CLUTCH SIDE	1	
	22361	22361-LHJ3-900	PLATE CLUTCH SIDE	PLATE CLUTCH SIDE	1	
	22401	22401-GFY6-94A	SPRING CLUTCH	SPRING CLUTCH	3	
	22401	22401-LHJ3-900	SPRING CLUTCH	SPRING CLUTCH	3	
	22530	22530-LHJ3-900	WEIGHT CLUTCH	WEIGHT CLUTCH	3	
	22530	22530-LKE7-900	WEIGHT CLUTCH	WEIGHT CLUTCH	3	
	22804	22804-GBB2-001	RUBBER CLUTCH DUMRER	RUBBER CLUTCH DUMRER	3	

E05

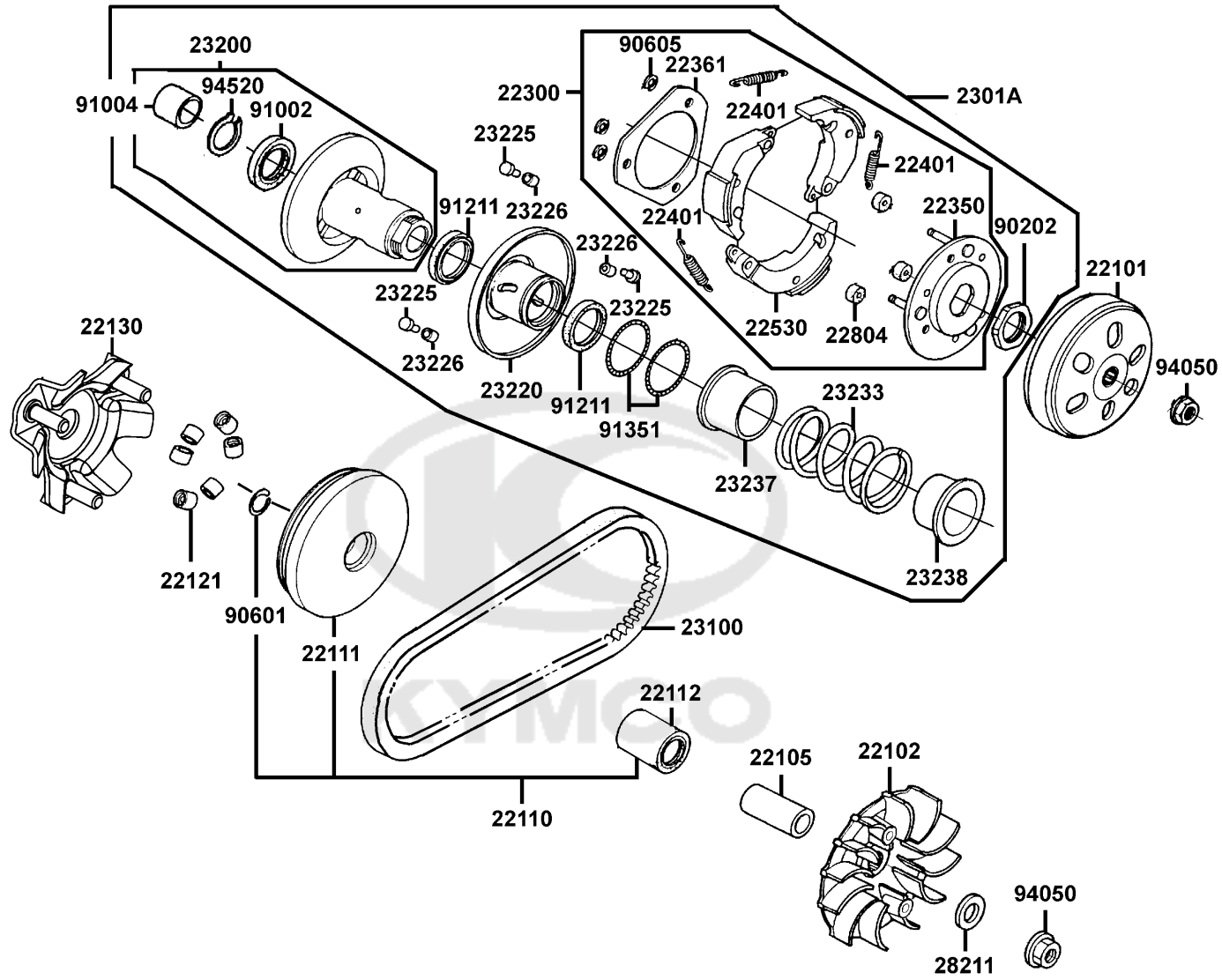
Pulley



Sales mark	Ref no	Part no	Description	Reg description	Regd no	E05
	2301A	2301A-LFA7-E00	PULLEY SUB ASSY	PULLEY SUB ASSY	1	
	2301A	2301A-LFA7-E01	PULLEY SUB ASSY	PULLEY SUB ASSY	1	
	23100	23100-LFA7-E0A	BELET DRIVE	BELET DRIVE	1	
	23200	23200-LFE2-900	FACE ASSY DRIVEN(2007.04.04-)	FACE ASSY DRIVEN(2007.04.04-)	1	
	23220	23220-GFY6-921	MOVABLE DRIVEN FACE COMP	MOVABLE DRIVEN FACE COMP	1	
	23225	23225-GHC8-004	PIN ROLLER GUIDE	PIN ROLLER GUIDE	3	
	23226	23226-GHC8-004	ROLLER GUIDE	ROLLER GUIDE	3	
	23233	23233-LFA7-E00	SPG DRIVEN FACE	SPG DRIVEN FACE	1	
	23237	23237-GFY6-941	COLLAR SEAL	COLLAR SEAL	1	
	23238	23238-LEB1-910	COLLAR SPRING	COLLAR SPRING	1	
	23238	23238-LKE7-900	COLLAR SPG	COLLAR SPG	1	
	28211	28211-LFA7-E00	WASHER 15.2x24x5	WASHER 15.2x24x5	1	
	90202	90202-1G87-001	NUT SPECIAL 28MM	NUT SPECIAL 28MM	1	
	90601	90601-GFY6-901	CLIP 28MM	CLIP 28MM	1	
	90605	90605-1F66-721	CIR CLIP 7MM	CIR CLIP 7MM	3	
	91002	91002-GGA7-70A	BRG BALL RADIAL 6902U 15*28*7	BRG BALL RADIAL 6902U 15*28*7	1	
	91004	91004-KHE7-900	BRG NDL 22*29*18	BRG NDL 22*29*18	1	
	91211	91211-KEBE-900	SEAL DRIVEN FACE 34*41*4	SEAL DRIVEN FACE 34*41*4	2	
	91351	91351-6B42-000	O-RING PINION CAP	O-RING PINION CAP	2	
	94050	94050-12080	NUT FLANGE 12MM	NUT FLANGE 12MM	2	

E05

Pulley

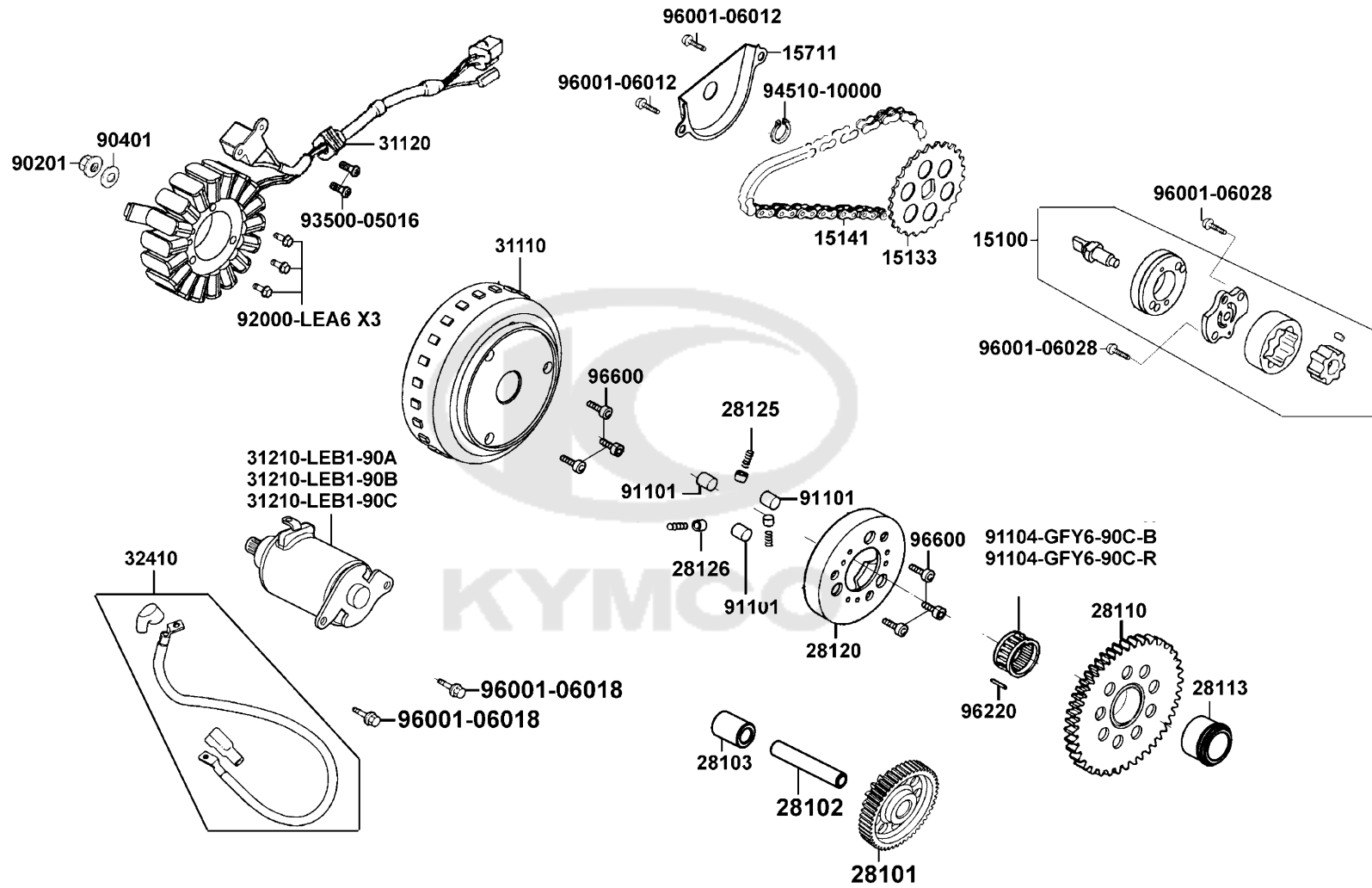


Sales mark	Ref no	Part no	Description	Reg description	Regd no	E05
------------	--------	---------	-------------	-----------------	---------	------------

94520	94520-28000	CIR CLIP IN 28MM	CIR CLIP IN 28MM		1	
-------	-------------	------------------	------------------	--	---	--

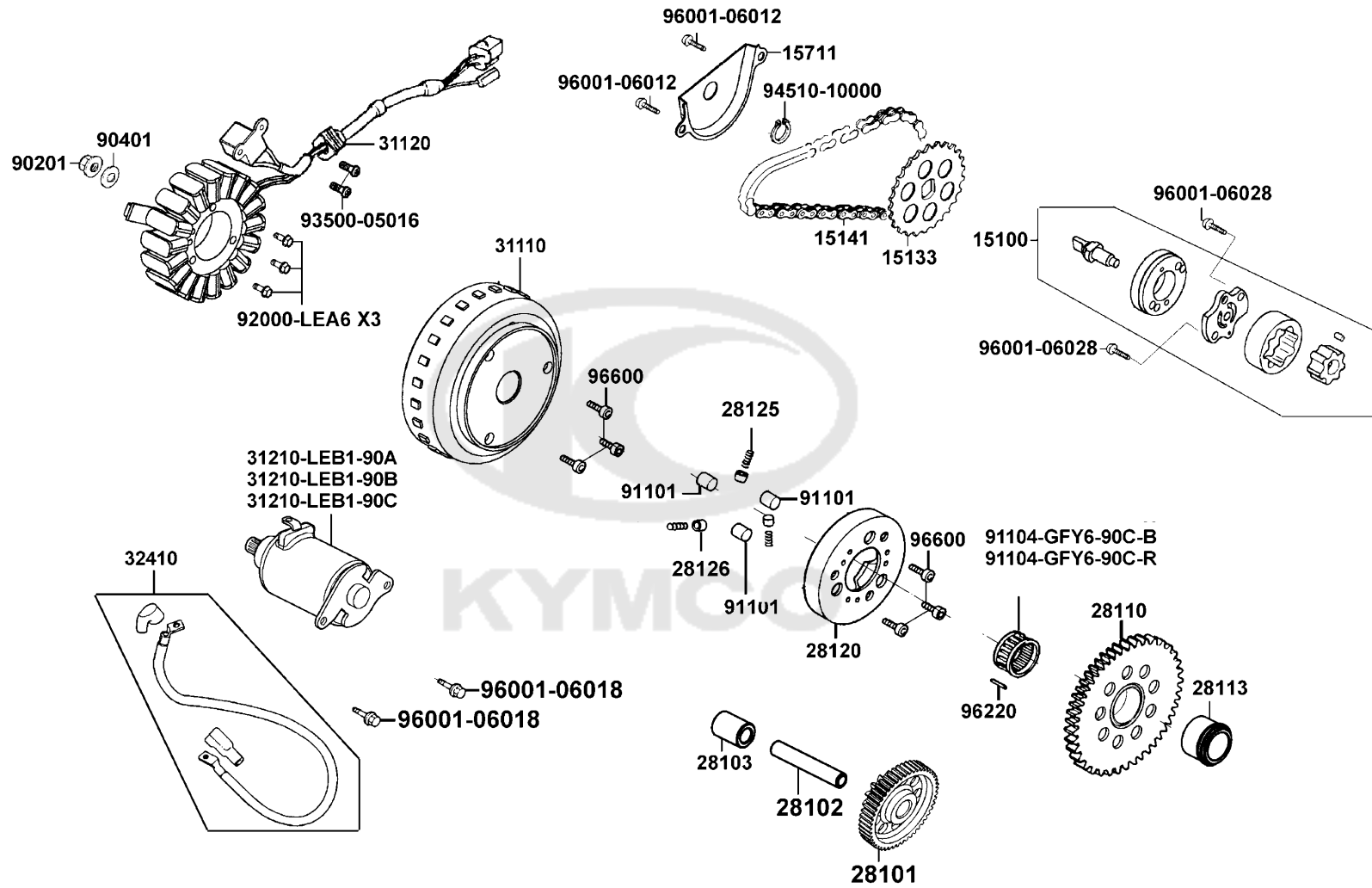


Starting Motor Oil PumpGenerator

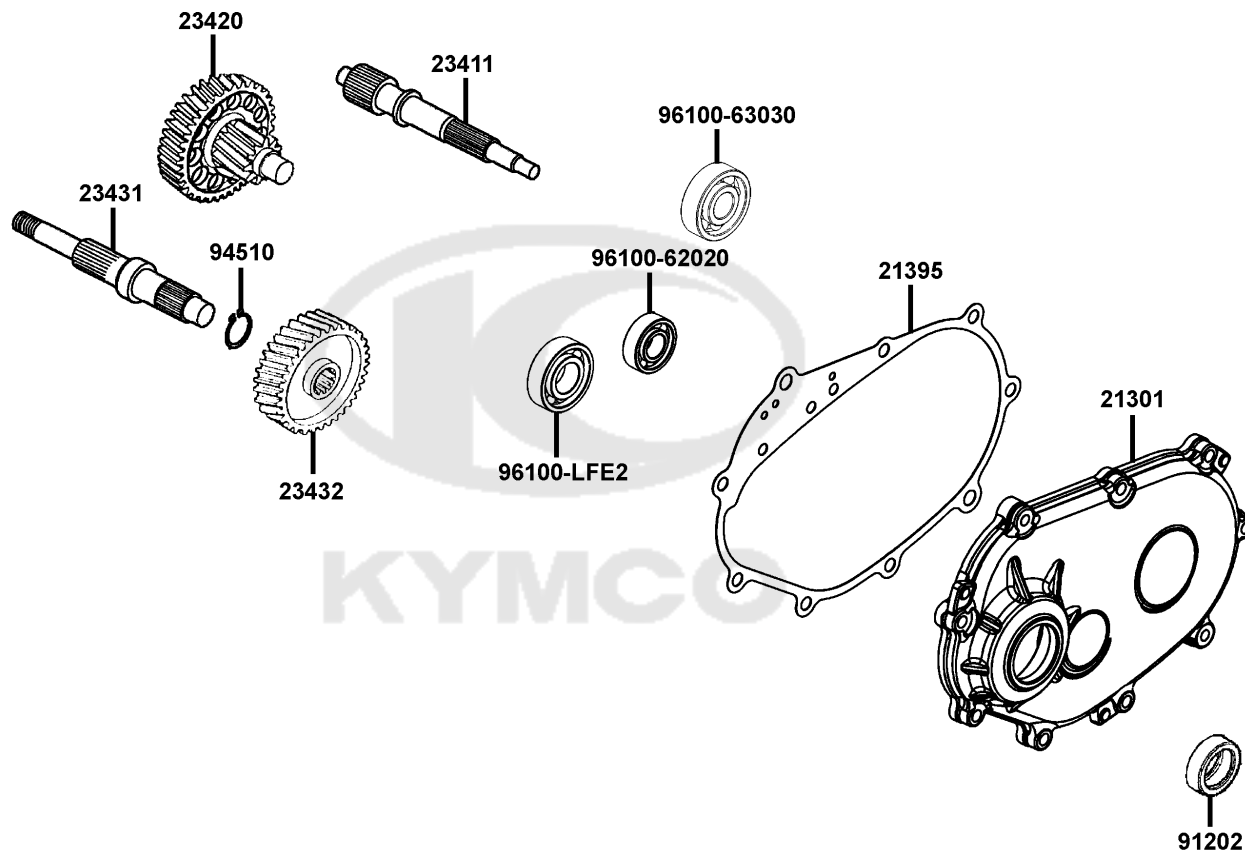


Sales mark	Ref no	Part no	Description	Reg description	Regd no	E06
	15100	15100-KEBE-900	PUMP ASSY OIL	PUMP ASSY OIL	1	
	15133	15133-KAM1-001	SPRKT OIL PUMP DRIVEN	SPRKT OIL PUMP DRIVEN	1	
	15141	15141-KKJ9-004	CHAIN OIL PUMP	CHAIN OIL PUMP	1	
	15711	15711-LFA7-E00	SEPARATER OIL	SEPARATER OIL	1	
	28101	28101-KKJ9-011	GEAR STARTER REDUCTION	GEAR STARTER REDUCTION	1	
	28102	28102-LFA7-E00	SHAFT STARTER REDUCTION GEAR	SHAFT STARTER REDUCTION GEAR	1	
	28103	28103-LFA7-E00	COLLAR 9x15.5x21.1	COLLAR 9x15.5x21.1	1	
	28110	28110-LFA7-E00	GEAR COMP STARTING CLUTCH	GEAR COMP STARTING CLUTCH	1	
	28113	28113-LFA7-E00	BUSH STARTING GEAR	BUSH STARTING GEAR	1	
	28120	28120-KEBE-305	OUTER COMP STARTING CLUTCH	OUTER COMP STARTING CLUTCH	1	
	28125	28125-4F26-001	SPRING ROLLER STARTER CLUTCH	SPRING ROLLER STARTER CLUTCH	3	
	28126	28126-KUDU-900	CAP STARTING ROLLER SPRING	CAP STARTING ROLLER SPRING	3	
	31110	31110-LFA7-E0B	FLYWHEEL COMP /D402	FLYWHEEL COMP /D402	1	
	31120	31120-LFA7-E0B	STATOR COMP.	STATOR COMP.	1	
	31210-LEB1-90A	31210-LEB1-90A	MOTOR UNIT START	MOTOR UNIT START	1	
	31210-LEB1-90B	31210-LEB1-90B	MOTOR UNIT START	MOTOR UNIT START	1	
	31210-LEB1-90C	31210-LEB1-90C	MOTOR UNIT START	MOTOR UNIT START	1	
	32410	32410-LLB1-900	CABLE START MOTOR	CABLE START MOTOR	1	
	90201	90201-KHR8-75A	NUT FLANGE 14MM	NUT FLANGE 14MM	1	
	90401	90401-KKJ9-001	WASHER THRUST 14*28*2	WASHER THRUST 14*28*2	1	

Starting Motor Oil PumpGenerator



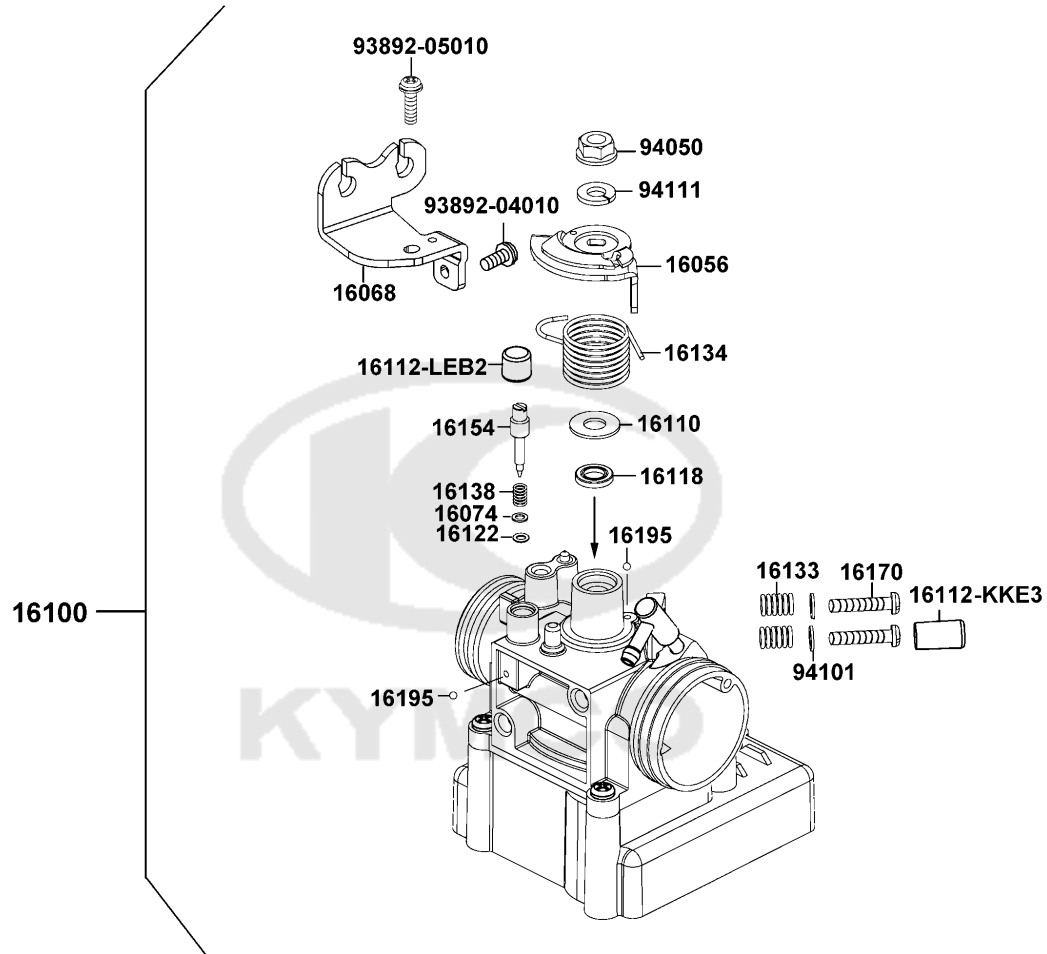
Sales mark	Ref no	Part no	Description	Reg description	Regd no	E06
91101		91101-1K79-711	ROLLER 10*10	ROLLER 10*10	3	
91104-GFY6-90C-B		91104-GFY6-90C-B	BRG NEEDLE 28*32*17	BRG NEEDLE 28*32*17	1	
91104-GFY6-90C-R		91104-GFY6-90C-R	BRG NEEDLE 28*32*17	BRG NEEDLE 28*32*17	1	
92000-LEA6		92000-LEA6-900	BOLT HEX 5*40	BOLT HEX 5*40	3	
93500-05016		93500-05016-0H	SCREW PAN 5*16	SCREW PAN 5*16	2	
94510-10000		94510-10000	CIR EXTERNAL 10MM	CIR EXTERNAL 10MM	1	
96001-06012		96001-06012-08	BOLT FLANGE SH 6*12	BOLT FLANGE SH 6*12	2	
96001-06018		96001-06018-08	BOLT FLANGE SH 6*18	BOLT FLANGE SH 6*18	2	
96001-06028		96001-06028-08	BOLT FLANGE SH 6*28	BOLT FLANGE SH 6*28	2	
96220		96220-60100	ROLLER 6*10	ROLLER 6*10	1	
96600		96600-08015-10	BOLT SOCKET 8*15	BOLT SOCKET 8*15	6	



Sales mark	Ref no	Part no	Description	Reg description	Regd no	E07
21301		21301-LFA7-E00	COVER MISSION	COVER MISSION	1	
21395		21395-LFA7-E00	GASKET MISSION COVER	GASKET MISSION COVER	1	
23411		23411-LFA7-E00	SHAFT.DRIVE	SHAFT.DRIVE	1	
23411		23411-LFA7-E01	SHAFT DRIVE	SHAFT DRIVE	1	
23420		23420-LFA7-E00	SHAFT COMP,COUNTER	SHAFT COMP,COUNTER	1	
23431		23431-LFA7-E00	SHAFT FINAL	SHAFT FINAL	1	
23432		23432-LFA7-E00	GEAR,FINAL	GEAR,FINAL	1	
91202		91202-LFE2-90A	OIL SEAL 22x32x6	OIL SEAL 22x32x6	2	
94510		94510-25000	CIR CLIP EX 25	CIR CLIP EX 25	1	
96100-62020		96100-62020-00	BRG BALL RADIAL 6202	BRG BALL RADIAL 6202	1	
96100-63030		96100-63030-00	BEARING BALL RADIAL 6303	BEARING BALL RADIAL 6303	1	
96100-LFE2		96100-LFE2-900	BRG BALL RADIAL TMB2/22CC4	BRG BALL RADIAL TMB2/22CC4	1	

E08

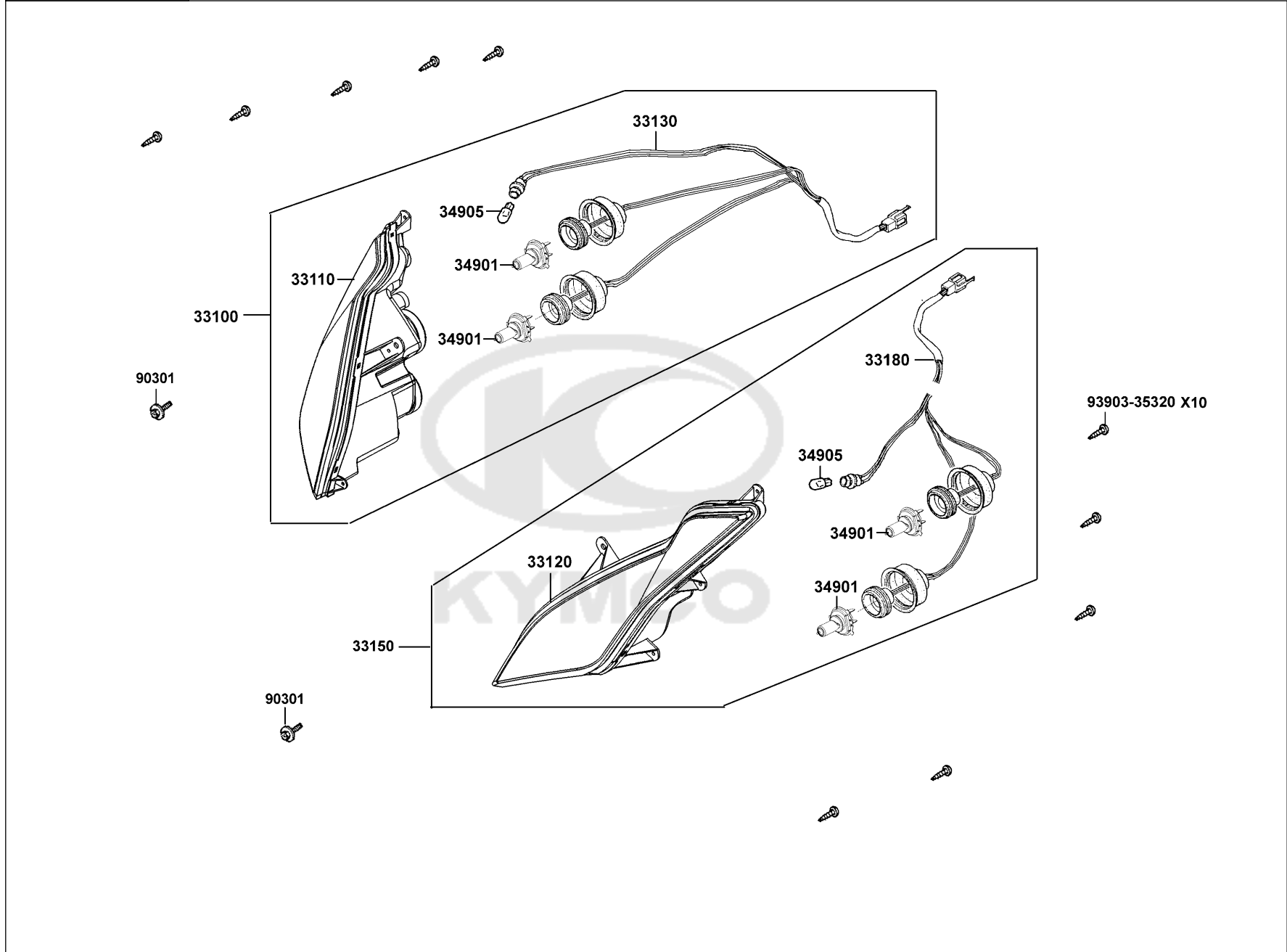
Throttle Body Assy



Sales mark	Ref no	Part no	Description	Reg description	Regd no	E08
16056		16056-LFA7-E00	LEVER ASSY THROTTLE	LEVER ASSY THROTTLE	1	
16068		16068-LFA7-E00	PLATE WIRE FIXED	PLATE WIRE FIXED	1	
16074		16074-KEC3-900	WASHER IDLE SCREW	WASHER IDLE SCREW	1	
16100		16100-LFA7-E00	THROTTLE BODY ASSY	THROTTLE BODY ASSY	1	
16110		16110-LFA7-E00	WASHER THROTTLE BODY	WASHER THROTTLE BODY	1	
16112-KKE3		16112-KKE3-900	COVER IDLE SCREW	COVER IDLE SCREW	1	
16112-LEB2		16112-LEB2-900	COVER IDLE BYPASS	COVER IDLE BYPASS	1	
16118		16118-KEC3-900	SEAL THROTTLE SHAFT	SEAL THROTTLE SHAFT	1	
16122		16122-KEC3-900	O-RING IDLE SCREW	O-RING IDLE SCREW	1	
16133		16133-KEC3-900	SPG THROTTLE ADJ SCREW	SPG THROTTLE ADJ SCREW	2	
16134		16134-LFA7-E00	SPG THROTTLE SHAFT	SPG THROTTLE SHAFT	1	
16138		16138-KEC3-900	SPG IDLE SCREW	SPG IDLE SCREW	1	
16154		16154-KKE3-900	SCREW IDLE ADJUST	SCREW IDLE ADJUST	1	
16170		16170-KEC3-900	SCREW THROTTLE ADJUST	SCREW THROTTLE ADJUST	2	
16195		16195-KEC3-900	BALL 2.1	BALL 2.1	3	
93892-04010		93892-04010-08	SCREW WASHER 4*10	SCREW WASHER 4*10	1	
93892-05010		93892-05010-08	SCREW WASHER 5*10	SCREW WASHER 5*10	1	
94050		94050-06080	NUT FLANGE 6MM	NUT FLANGE 6MM	1	
94101		94101-KKE3-900	WASHER SPG 4MM	WASHER SPG 4MM	2	
94111		94111-06800	WASHER SPRING 6MM	WASHER SPRING 6MM	1	

F01

Head Light

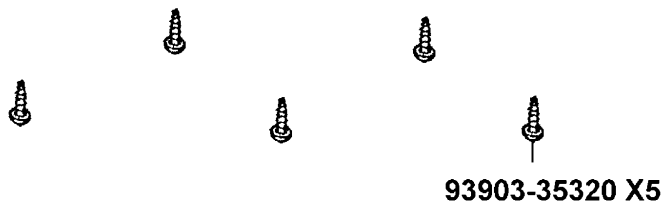
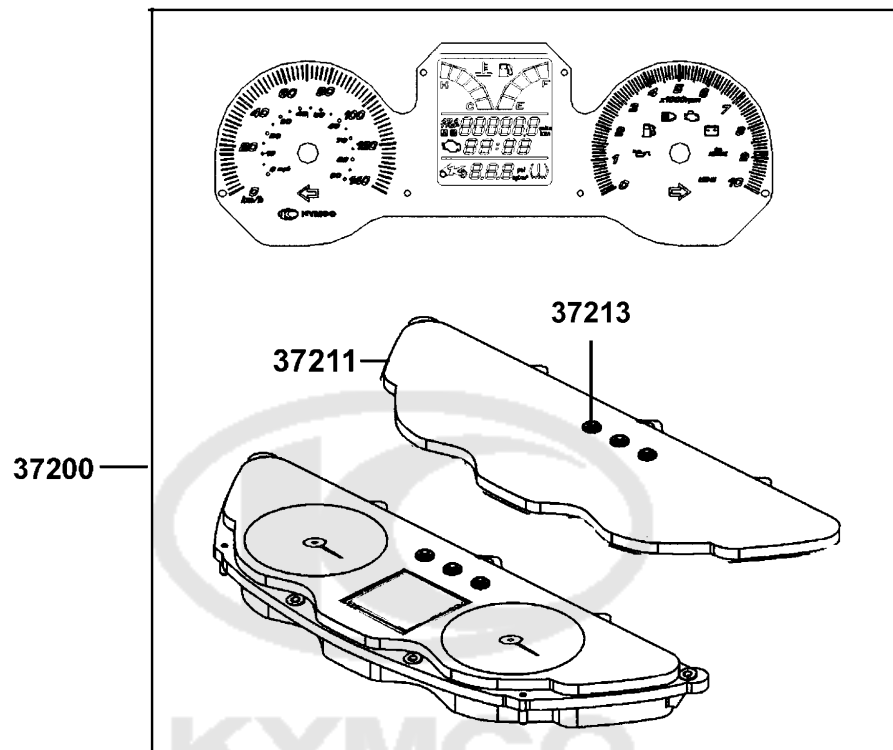


Sales mark	Ref no	Part no	Description	Reg description	Regd no	F01
	33100	33100-LEA7-E00	LIGHT ASSY., RH. HEAD	LIGHT ASSY., RH. HEAD	1	
	33110	33110-LEA7-E00	UNIT HEAD LIGHTR R	UNIT HEAD LIGHTR R	1	
	33120	33120-LEA7-E00	UNIT HEAD LIGHTR L	UNIT HEAD LIGHTR L	1	
	33130	33130-LEA7-E00	SOCKET COMP	SOCKET COMP	1	
	33150	33150-LEA7-E00	LIGHT ASSY.,LH. HEAD	LIGHT ASSY.,LH. HEAD	1	
	33180	33180-LEA7-E00	SOCKET COMP	SOCKET COMP	1	
	34901	34901-KGB5-M30	BULB HEAD LIGHT	BULB HEAD LIGHT	1	
	34905	34905-LEA7-E00	BULB WINKER	BULB WINKER	1	
	90301	90301-6D34-671	NUT FLANGE 6MM	NUT FLANGE 6MM	2	
	93903	93903-35320	SCREW TAPPING 5*16	SCREW TAPPING 5*16	10	



F02

Speedometer



93903-35320 X5

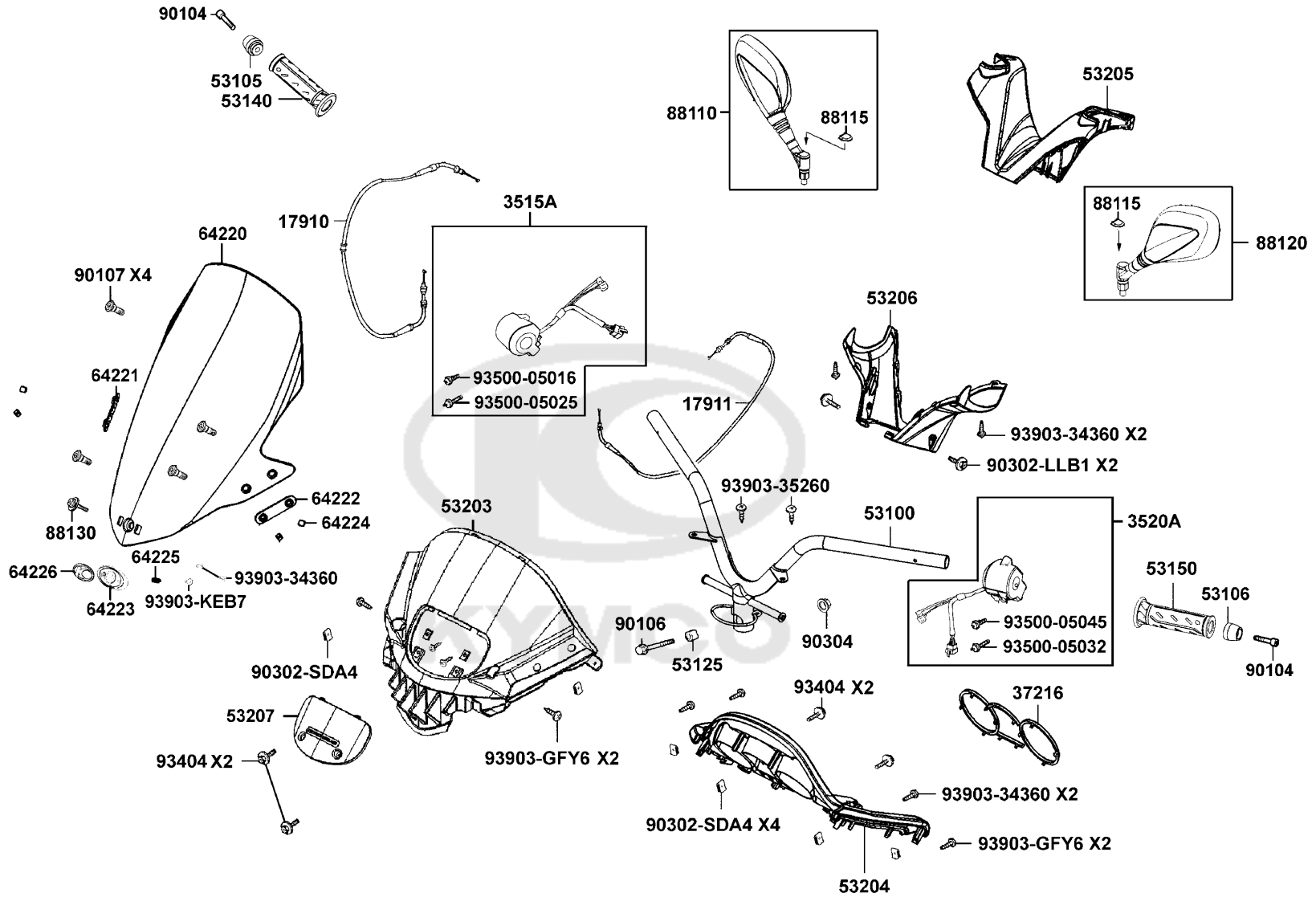
Sales mark	Ref no	Part no	Description	Reg description	Regd no	F02
------------	--------	---------	-------------	-----------------	---------	------------

37200		37200-LFA7-E00	METER ASSY.,SPEED	METER ASSY.,SPEED	1	
37211		37211-KKE5-E00	LENS ASSY	LENS ASSY	1	
37213		37213-KKE5-E00	BUTTON	BUTTON	3	
93903-35320		93903-35320	SCREW TAPPING 5*16	SCREW TAPPING 5*16	5	



F03

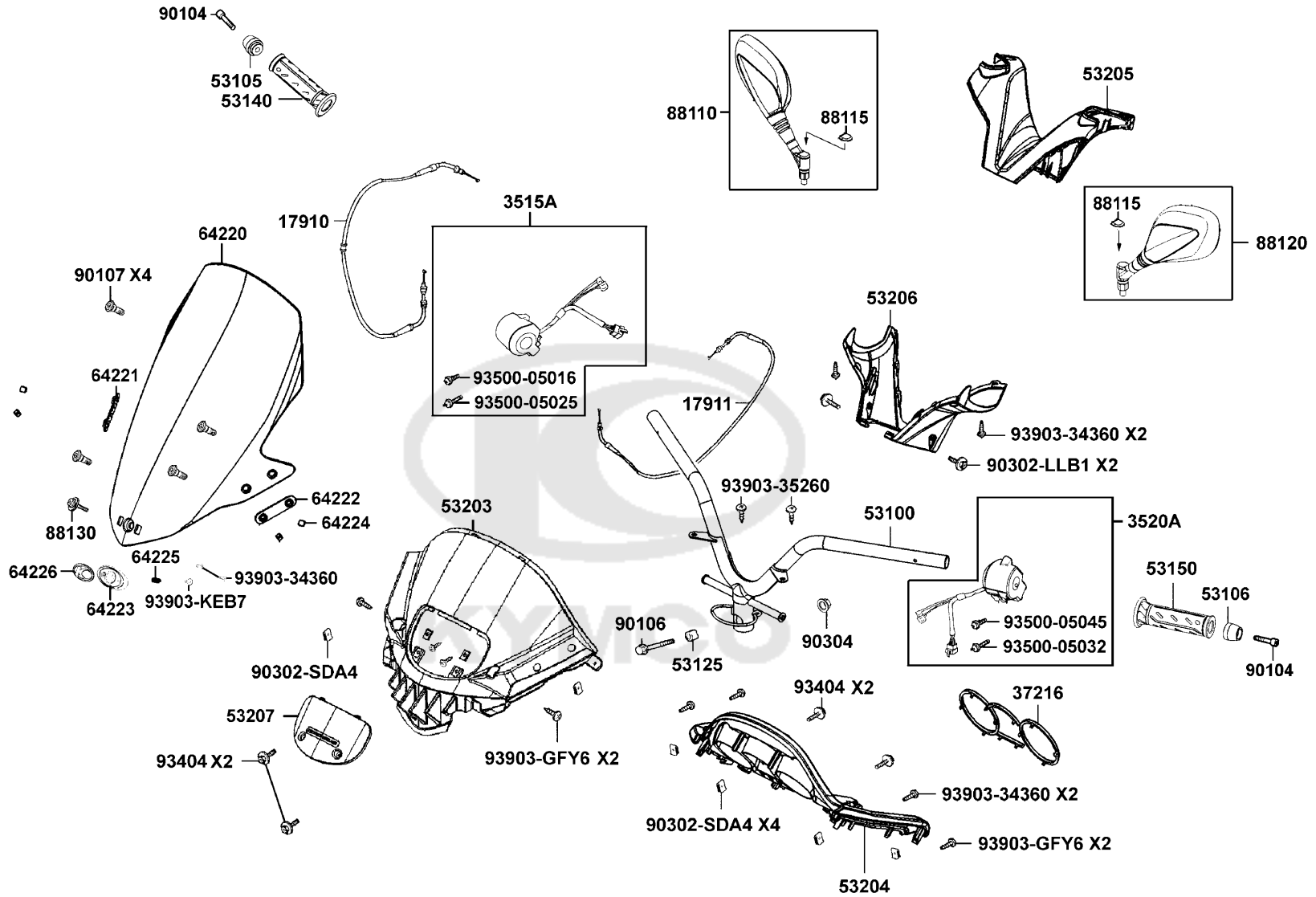
Handle SteeringHandle Cover



Sales mark	Ref no	Part no	Description	Reg description	Regd no	F03
	17910	17910-LFA7-E00	CABLE A,THROT	CABLE A,THROT	1	
	17911	17911-LFA7-E00	CABLE B,THROT	CABLE B,THROT	1	
	3515A	3515A-LEA7-E00	SW ASSY RH HANDLE COMP	SW ASSY RH HANDLE COMP	1	
	3520A	3520A-KEBE-900	SW ASSY L HNDL COMP	SW ASSY L HNDL COMP	1	
**	37216	37216-LEA7-E00	COSMETIC METER COVER	COSMETIC METER COVER	1	
	53100	53100-LEA7-E00	HANDLE COMP.,STRG.	HANDLE COMP.,STRG.	1	
	53105	53105-LEA7-E00	END R,HANDLE	END R,HANDLE	1	
	53106	53106-LEA7-E00	END L,HANDLE	END L,HANDLE	1	
	53125	53125-LEA7-E00	COLLAR HANDLE SET	COLLAR HANDLE SET	1	
**	53140	53140-LEA7-E00	GRIP COMP THROT	GRIP COMP THROT	1	
**	53150	53150-LEA6-900	GRIP COMP L HANDLE	GRIP COMP L HANDLE	1	
**	53203	53203-LEA7-E00	COVER METER FR	COVER METER FR	1	
**	53204	53204-LEA7-E00	COVER METER RR	COVER METER RR	1	
**	53205	53205-LEA7-E00	COVER HANDLE UP	COVER HANDLE UP	1	
**	53206	53206-LEA7-E00	COVER HANDLE LOW	COVER HANDLE LOW	1	
	53207	53207-LEA7-E00	LID RADIATOR COOLANT	LID RADIATOR COOLANT	1	
**	64220	64220-LEA7-E00	WIND SCREEN	WIND SCREEN	1	
	64221	64221-LEA7-E00	RUBBER R WIND SCREEN	RUBBER R WIND SCREEN	1	
	64222	64222-LEA7-E00	RUBBER L WIND SCREEN	RUBBER L WIND SCREEN	1	
**	64223	64223-LEA7-E00	PLUG WIND SCREEN	PLUG WIND SCREEN	1	

F03

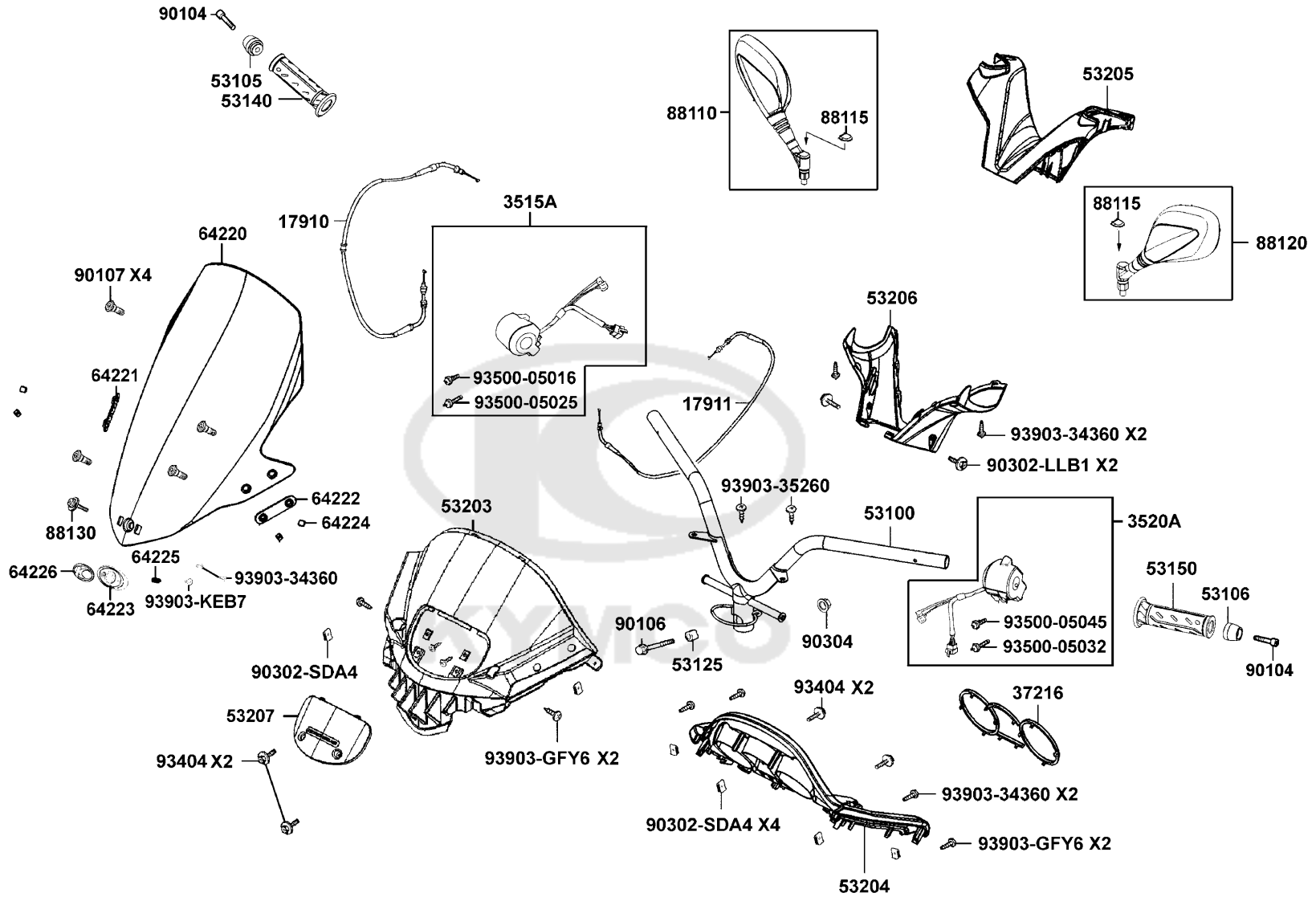
Handle SteeringHandle Cover



Sales mark	Ref no	Part no	Description	Reg description	Regd no	F03
	64224	64224-LEA7-E00	COLLAR WIND SCREEN	COLLAR WIND SCREEN	4	
	64225	64225-LEA7-E00	SPRING COSMETIC K-LOGO	SPRING COSMETIC K-LOGO	1	
	64226	64226-LEA7-E00	COSMETIC K-LOGO	COSMETIC K-LOGO	1	
**	88110	88110-LEA7-E00	MIRROR ASSY.R/H BACK	MIRROR ASSY.R/H BACK	1	
**	88115	88115-LBA2-E02	CAP MIRROR BRKT	CAP MIRROR BRKT	1	
**	88120	88120-LEA7-E00	MIRROR ASSY.L/H BACK	MIRROR ASSY.L/H BACK	1	
	88130	88130-KEBE-900	BOLT SPECIAL	BOLT SPECIAL	1	
	90104	90104-LEA7-E00	BOLT WASH.,M8*60	BOLT WASH.,M8*60	2	
	90106	90106-GEN5-901	BOLT FLANGE 10*50	BOLT FLANGE 10*50	1	
	90107	90107-LEA7-E00	BOLT SPECIAL 8MM	BOLT SPECIAL 8MM	4	
	90302-LLB1	90302-LLB1-E00	BOLT WASH 5*12	BOLT WASH 5*12	2	
	90302-SDA4	90302-SDA4-004	NUT SPRING 4MM	NUT SPRING 4MM	4	
	90304	90304-GHE8-004-SW	NUT U 10MM	NUT U 10MM	1	
	93404	93404-06016-06	BOLT WASHER 6*16	BOLT WASHER 6*16	4	
	93500-05016	93500-05016-1B	SCREW PAN 5*16	SCREW PAN 5*16	1	
	93500-05025	93500-05025-1B	SCREW PAN 5*25	SCREW PAN 5*25	1	
	93500-05032	93500-05032-1B	SCREW PAN 5*32	SCREW PAN 5*32	1	
	93500-05045	93500-05045-1B	SCREW PAN 5*45	SCREW PAN 5*45	1	
	93903-34360	93903-34360	SCREW TAPPING 4*12	SCREW TAPPING 4*12	4	
	93903-35260	93903-35260	SCREW TAPPING 5*12	SCREW TAPPING 5*12	2	

F03

Handle SteeringHandle Cover

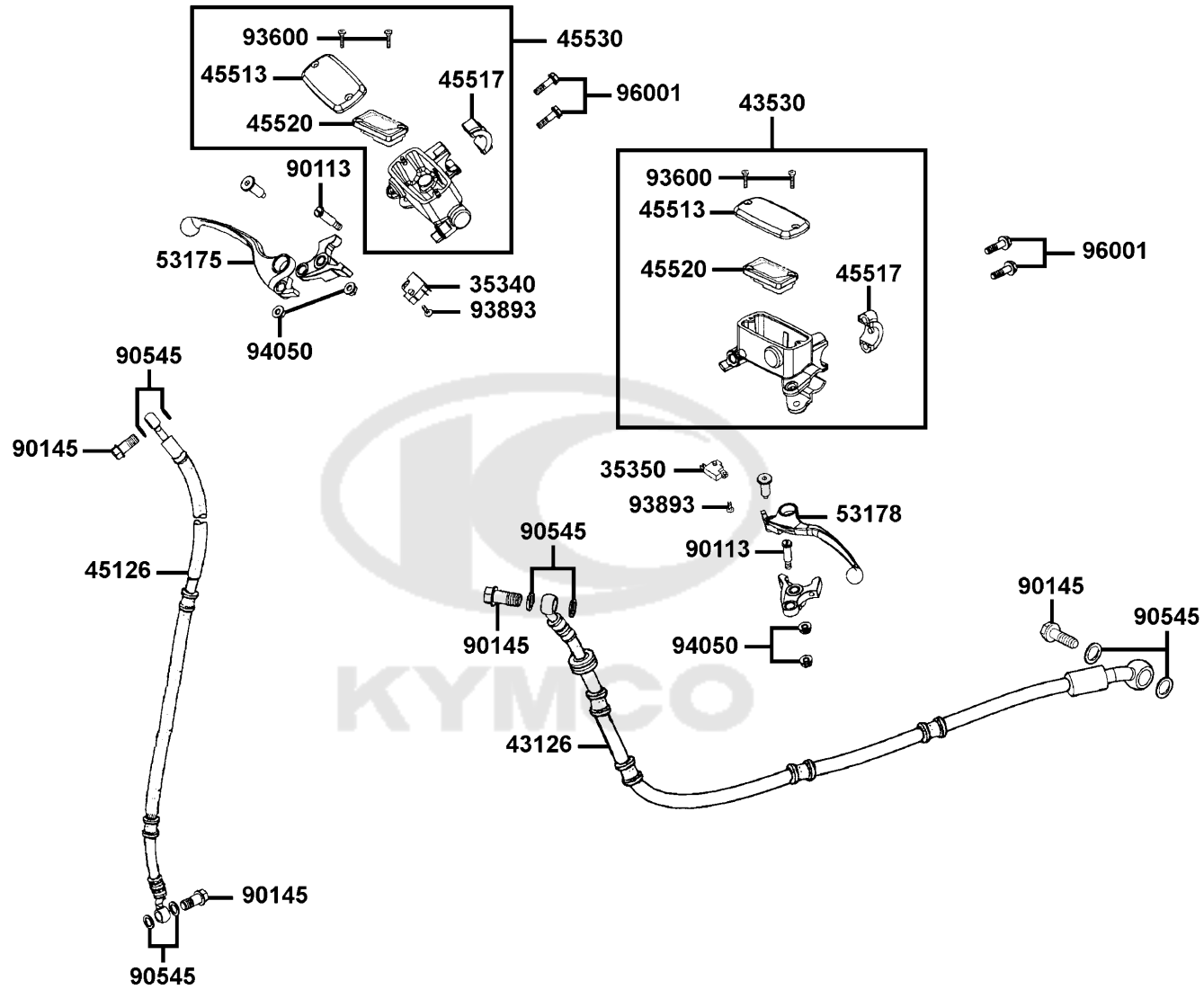


Sales mark	Ref no	Part no	Description	Reg description	Regd no	F03
------------	--------	---------	-------------	-----------------	---------	------------

93903-GFY6		93903-GFY6-900	SCREW TAPP 4*14	SCREW TAPP 4*14	2	
93903-KEB7		93903-KEB7-900-06	SCREW WASHER 4MM	SCREW WASHER 4MM	1	

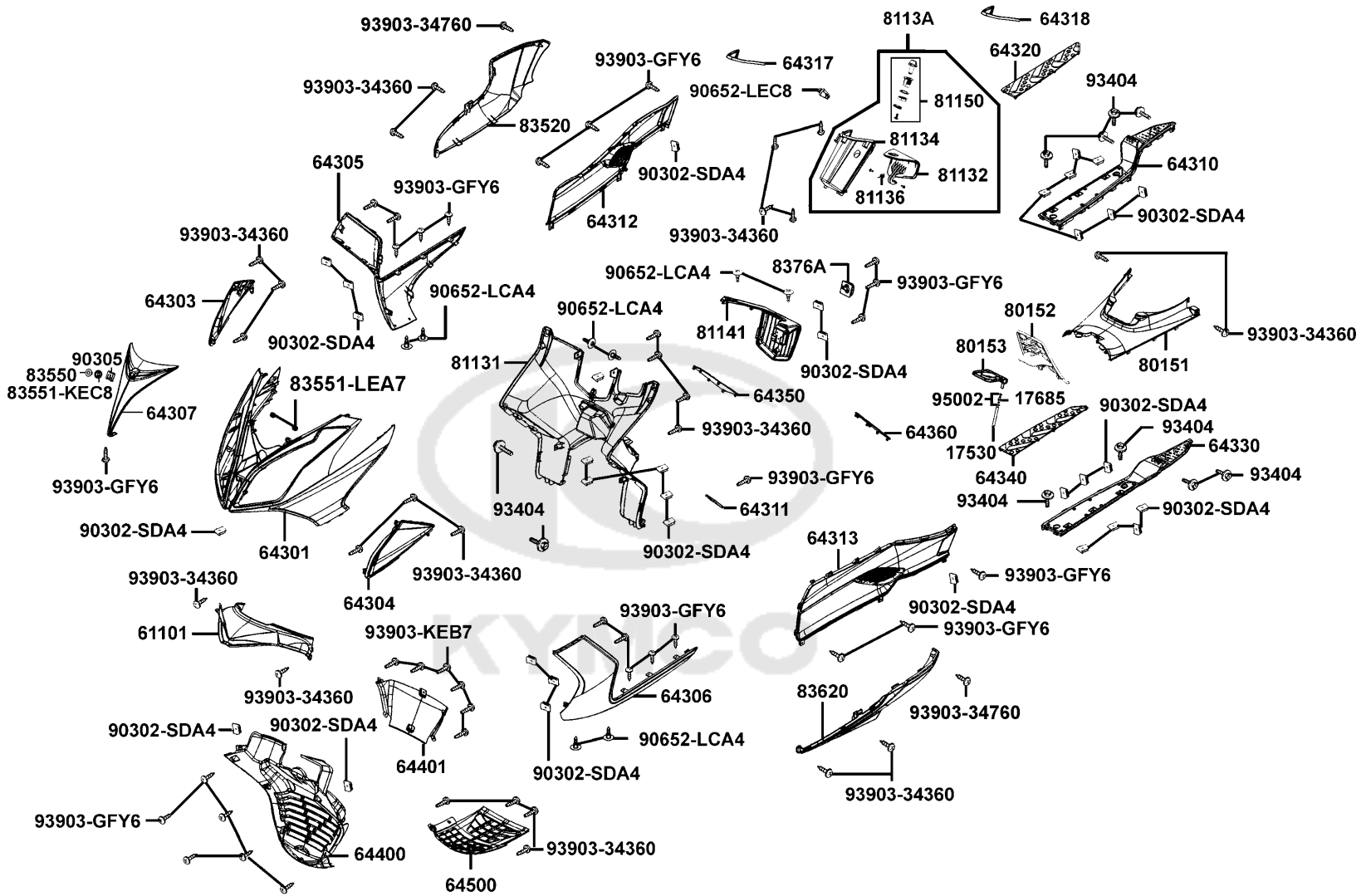


Brake Master Cylinder



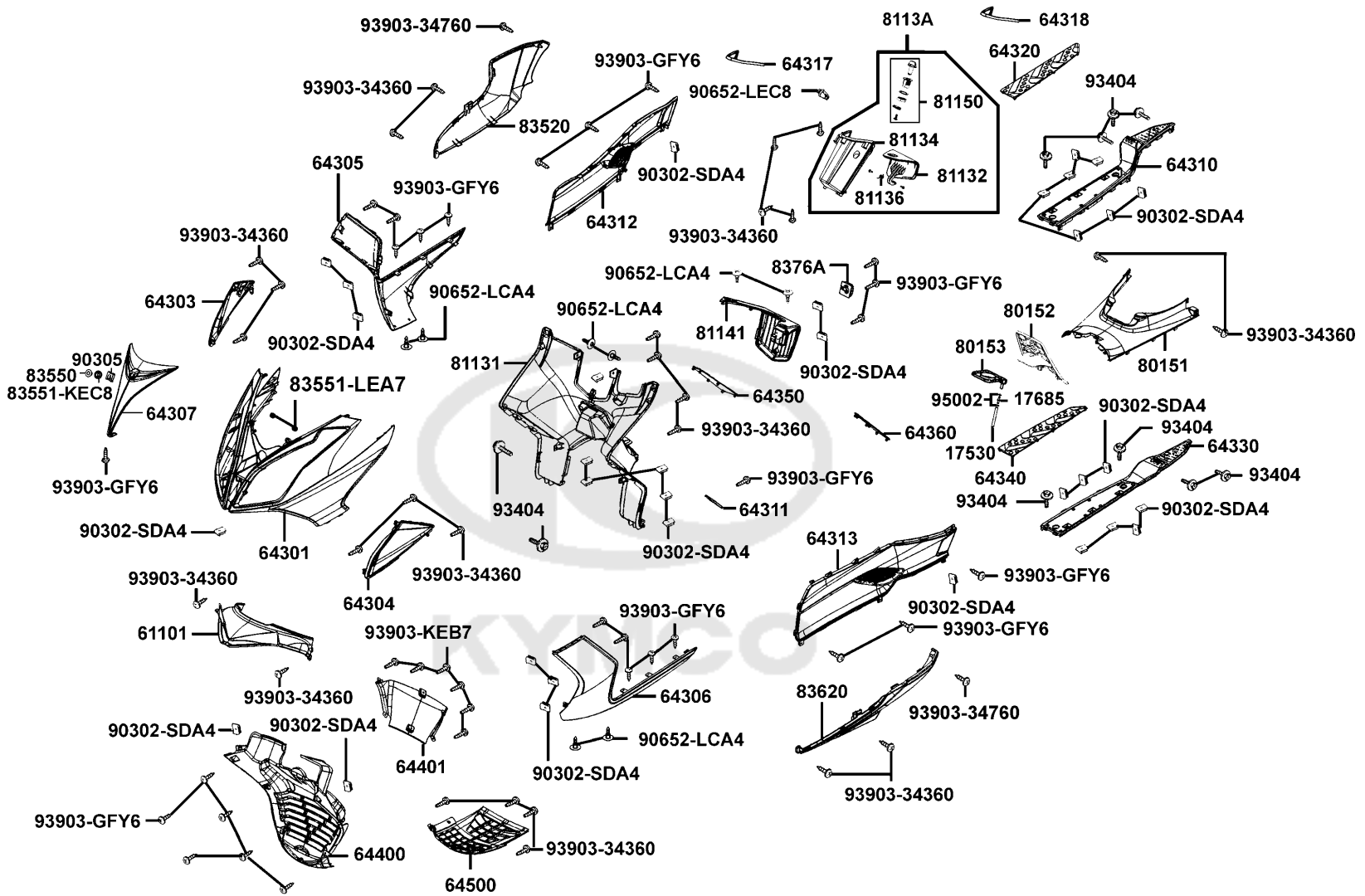
Sales mark	Ref no	Part no	Description	Reg description	Regd no	F04
	35340	35340-KNBN-901	SW ASSY FR STOP	SW ASSY FR STOP	1	
	35350	35350-KNBN-901	SW ASSY RR STOP	SW ASSY RR STOP	1	
	43126	43126-LEA7-E00	HOSE ASSY RR BRK	HOSE ASSY RR BRK	1	
	43530	43530-LEA7-305	CYLINDER SET MASTER	CYLINDER SET MASTER	1	
	45126	45126-LEA7-E00	HOSE ASSY, FR BRK	HOSE ASSY, FR BRK	1	
	45513	45513-LEA7-E00	CAP MASTER CYLINDER	CAP MASTER CYLINDER	1	
	45517	45517-LBA2-E00	HOLDER. M/C	HOLDER. M/C	1	
	45520	45520-KKA8-900	DIAPHRAGM	DIAPHRAGM	1	
	45530	45530-LBA2-308	CYLINDER SET FR MASTER	CYLINDER SET FR MASTER	1	
**	53175	53175-KKE5-E00	LEVER R STRG HANDLE	LEVER R STRG HANDLE	1	
**	53178	53178-KKE5-E00	LEVER L STRG HANDLE	LEVER L STRG HANDLE	1	
	90113	90113-KKA8-900	BOLT HANDLE LEVER	BOLT HANDLE LEVER	1	
	90145	90145-MKS9-61A	OIL BOLT 10*22	OIL BOLT 10*22	4	
	90545	90545-3L00-001	WASHER OIL BOLT	WASHER OIL BOLT	8	
	93600	93600-04012-1G	SCREW FLAT 4*12	SCREW FLAT 4*12	4	
	93893	93893-04012-18	SCREW WASHER 4*12	SCREW WASHER 4*12	1	
	94050	94050-06060	NUT FLANGE 6MM	NUT FLANGE 6MM	1	
	96001	96001-06028-06	BOLT FLANGE SH 6*28	BOLT FLANGE SH 6*28	4	

Front CoverFloor Panel



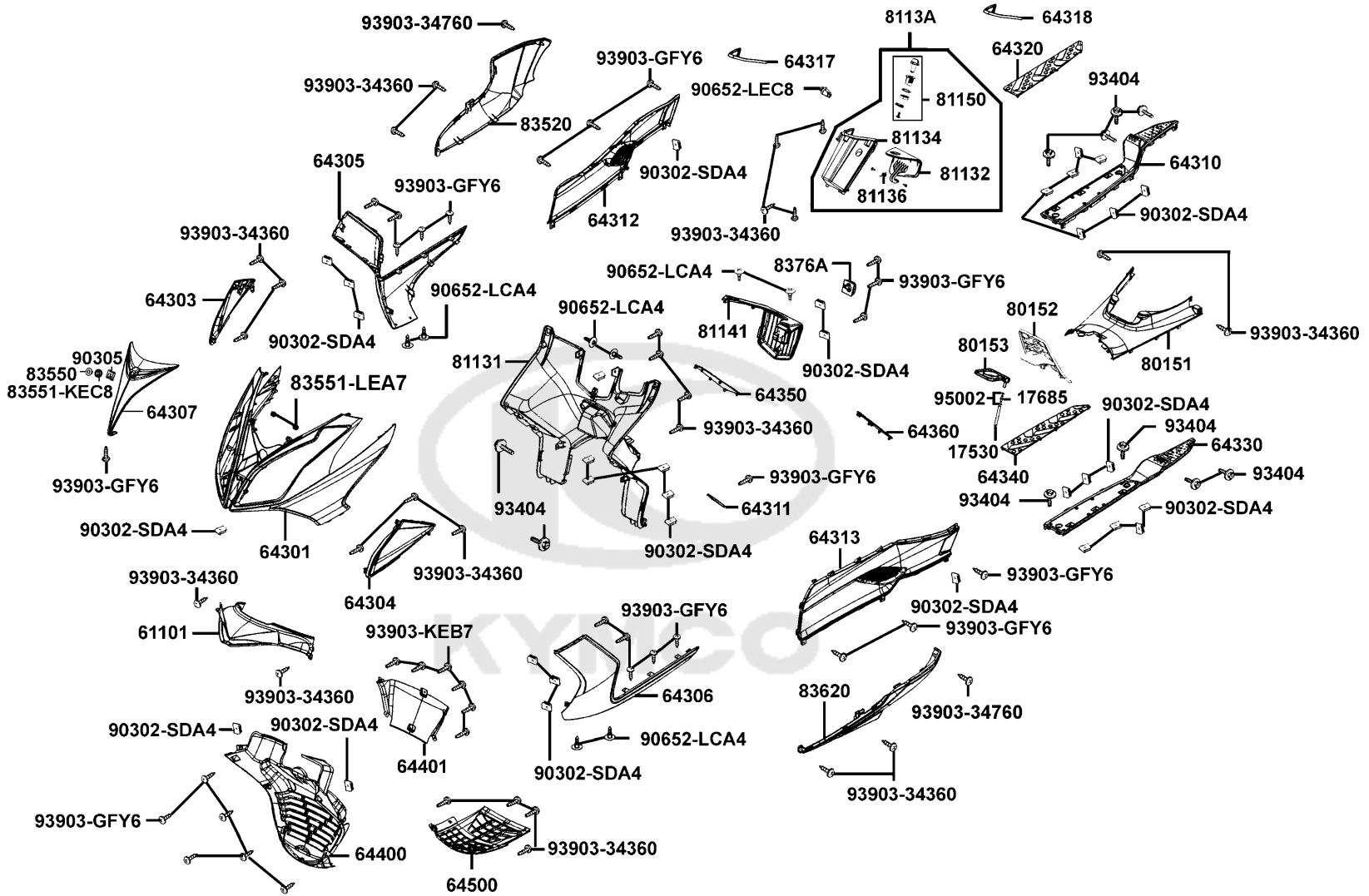
Sales mark	Ref no	Part no	Description	Reg description	Regd no	F05
	17530	17530-KGB5-900	TUBE ASSY DRAIN	TUBE ASSY DRAIN	1	
	17685	17685-KZCZ-900	JOINT TUBE	JOINT TUBE	1	
**	61101	61101-LEA7-E00	FENDER FR INNER	FENDER FR INNER	1	
**	64301	64301-LEA7-E00	COVER FR	COVER FR	1	
**	64303	64303-LEA7-E00	BOARD R FR COVER	BOARD R FR COVER	1	
**	64304	64304-LEA7-E00	BOARD L FR COVER	BOARD L FR COVER	1	
**	64305	64305-LEA7-E00	SKIRT R SIDE	SKIRT R SIDE	1	
**	64306	64306-LEA7-E00	SKIRT L SIDE	SKIRT L SIDE	1	
**	64307	64307-LEA7-E00	LID FR COVER	LID FR COVER	1	
**	64310	64310-LEA7-E00	FLOOR PANEL R	FLOOR PANEL R	1	
**	64311	64311-LEA7-E00	LID RESERVE TANK	LID RESERVE TANK	1	
**	64312	64312-LEA7-E00	BOARD.R PANEL FLOOR	BOARD.R PANEL FLOOR	1	
**	64313	64313-LEA7-E00	BOARD.R PANEL FLOOR	BOARD.R PANEL FLOOR	1	
	64317	64317-LEA7-E00	SPONGE FR INNER BOX	SPONGE FR INNER BOX	1	
	64318	64318-LEA7-E00	SEAL FR INNER BOX	SEAL FR INNER BOX	1	
**	64320	64320-LEA7-E00	MAT R FLOOR	MAT R FLOOR	1	
**	64330	64330-LEA7-E00	FLOOR PANEL L	FLOOR PANEL L	1	
**	64340	64340-LEA7-E00	MAT L FLOOR	MAT L FLOOR	1	
**	64350	64350-LEA7-E00	MAT R LEG SHIELD	MAT R LEG SHIELD	1	
**	64360	64360-LEA7-E00	MAT L LEG SHIELD	MAT L LEG SHIELD	1	

Front Cover/Floor Panel



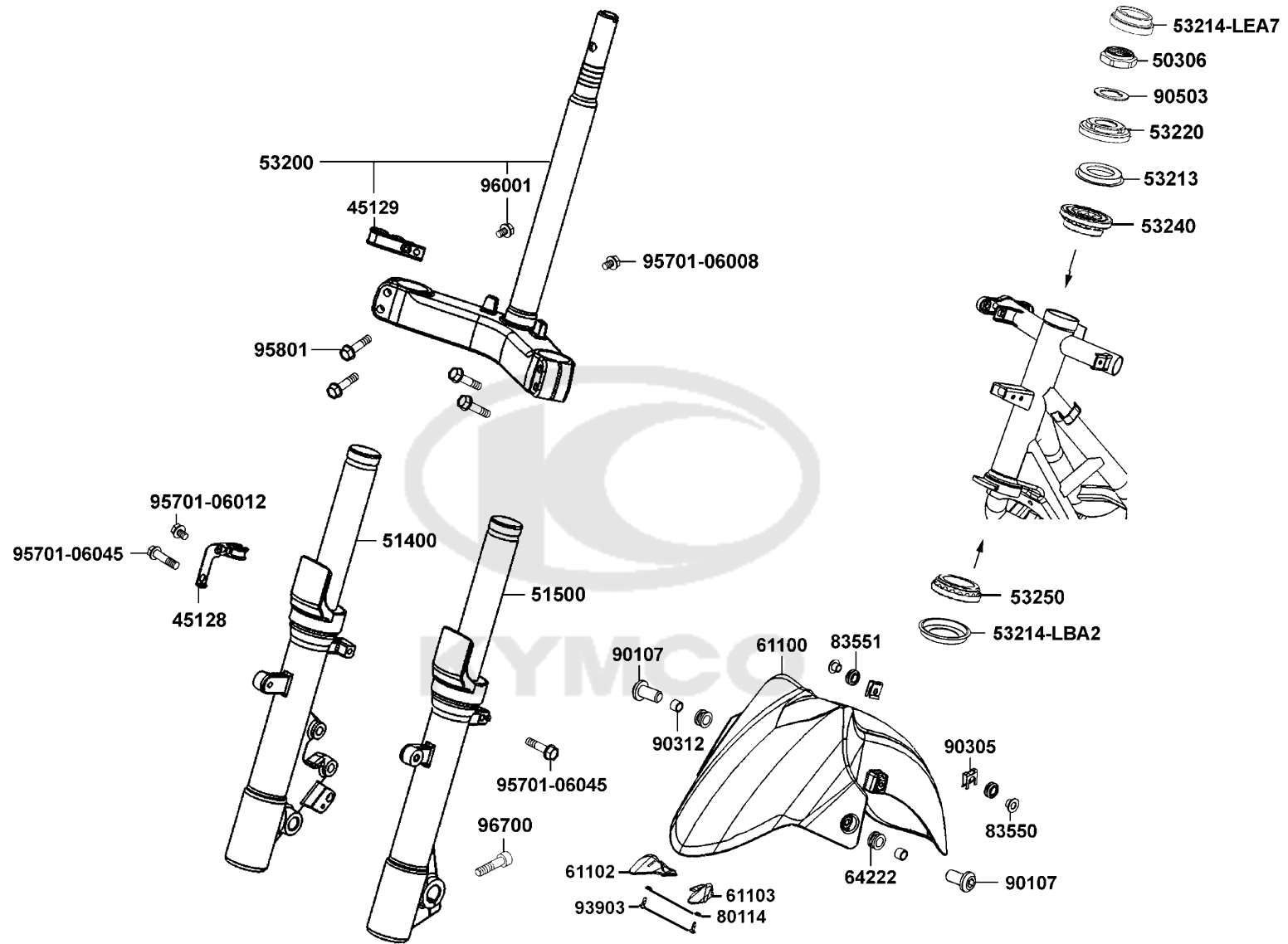
Sales mark	Ref no	Part no	Description	Reg description	Regd no	F05
**	64400	64400-LEA7-E00	COWL UNDER	COWL UNDER	1	
**	64401	64401-LEA7-E00	MESH ,UNDER COWL	MESH ,UNDER COWL	1	
**	64500	64500-LEA7-E00	UNDER COWL LOW	UNDER COWL LOW	1	
**	80151	80151-LEA7-E00	COVER CENTER	COVER CENTER	1	
**	80152	80152-LEA7-E00	COVER PLUG MAINT	COVER PLUG MAINT	1	
	80153	80153-LEA7-E00	RUBBER FUEL CAP	RUBBER FUEL CAP	1	
**	81131	81131-LEA7-E00	LEG SHIELD	LEG SHIELD	1	
**	81132	81132-LEA7-E00	LID L/H FR INNER BOX	LID L/H FR INNER BOX	1	
**	81134	81134-LEA7-E00	BOX L/H FR INNER	BOX L/H FR INNER	1	
	81136	81136-LEA7-E00	SPRING FR INNER BOX	SPRING FR INNER BOX	1	
**	8113A	8113A-LEA7-E00	FR INNER BOX.ASSY.	FR INNER BOX.ASSY.	1	
**	81141	81141-LEA7-E00	TUNNEL LEG SHIELD	TUNNEL LEG SHIELD	1	
	81150	81150-LEA7-E00	LOCKLESS ASSY	LOCKLESS ASSY	1	
**	83520	83520-LEA7-E00	COVER. R SIDE	COVER. R SIDE	1	
	83550	83550-KEC8-900	COLLAR	COLLAR	1	
	83551-KEC8	83551-KEC8-900	GROMMET COVER	GROMMET COVER	1	
	83551-LEA7	83551-LEA7-E00	GROMMET FRONT COVER	GROMMET FRONT COVER	2	
**	83620	83620-LEA7-E00	COVER. L SIDE	COVER. L SIDE	1	
	8376A	8376A-KEBE-900	CLIP ASSY CENTER	CLIP ASSY CENTER	1	
	90302-SDA4	90302-SDA4-004	NUT SPRING 4MM	NUT SPRING 4MM	33	

Front Cover/Floor Panel

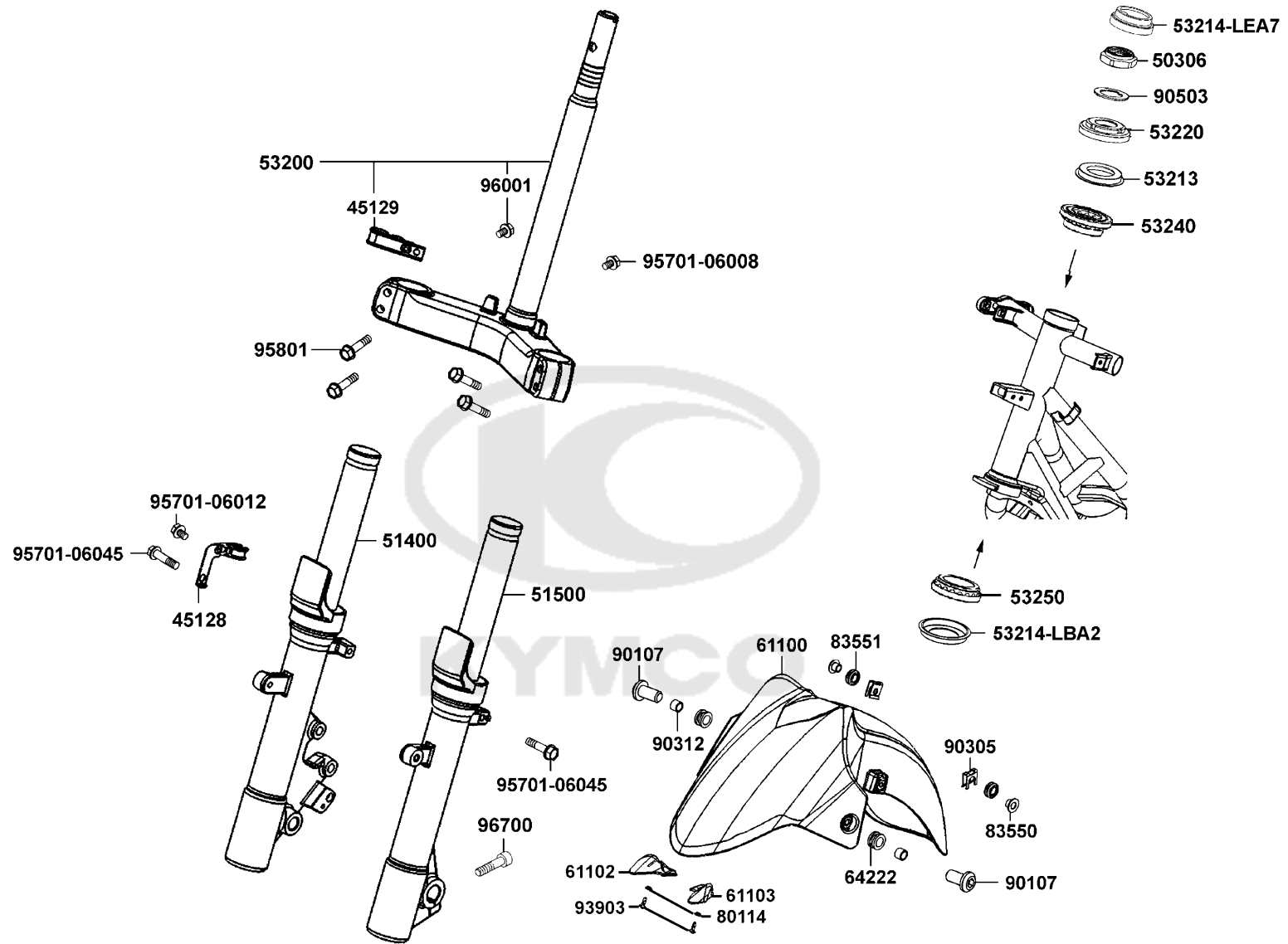


Sales mark	Ref no	Part no	Description	Reg description	Regd no	F05
90305	90305-LBA2-E00	90305-LBA2-E00	NUT CLIP 6MM	NUT CLIP 6MM	1	
90652-LCA4	90652-LCA4-E00	90652-LCA4-E00	CLIP MUDGUARD	CLIP MUDGUARD	8	
90652-LEC8	90652-LEC8-E00	90652-LEC8-E00	CLIP MUDGUARD	CLIP MUDGUARD	1	
93404	93404-06016-06	93404-06016-06	BOLT WASHER 6*16	BOLT WASHER 6*16	10	
93903-34360	93903-34360	93903-34360	SCREW TAPPING 4*12	SCREW TAPPING 4*12	26	
93903-34760	93903-34760	93903-34760	SCREW TAPPING 4*30	SCREW TAPPING 4*30	2	
93903-GFY6	93903-GFY6-900	93903-GFY6-900	SCREW TAPP 4*14	SCREW TAPP 4*14	27	
93903-KEB7	93903-KEB7-900-06	93903-KEB7-900-06	SCREW WASHER 4MM	SCREW WASHER 4MM	6	
95002	95002-02080	95002-02080	CLIP B8 CHAMBER TUBE	CLIP B8 CHAMBER TUBE	2	

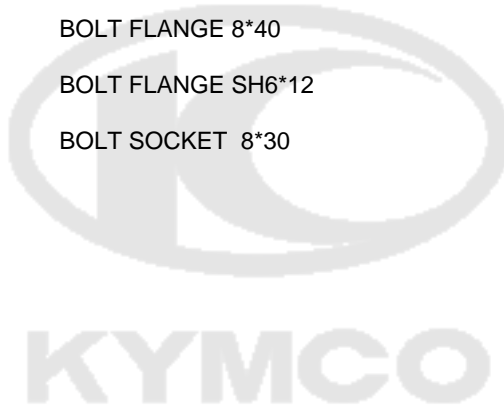




Sales mark	Ref no	Part no	Description	Reg description	Regd no	F06
	45128	45128-LBA2-920	CLAMPER FR BRK HOSE	CLAMPER FR BRK HOSE	1	
	45129	45129-LBA2-900	CLAMPER FR BRK HOSE	CLAMPER FR BRK HOSE	1	
	50306	50306-1F96-001	NUT STRG STEM LOCK	NUT STRG STEM LOCK	1	
**	51400	51400-LEA7-E00	FORK ASSY R FR	FORK ASSY R FR	1	
**	51500	51500-LEA7-E00	FORK ASSY L FR	FORK ASSY L FR	1	
	53200	53200-LEA7-E00	STEM COMP STRG	STEM COMP STRG	1	
	53213	53213-LBA2-E00	DUST SEAL STRG HEAD TOP	DUST SEAL STRG HEAD TOP	1	
	53214-LBA2	53214-LBA2-E00	DUST SEAL STRG (HEAD)	DUST SEAL STRG (HEAD)	1	
	53214-LEA7	53214-LEA7-E00	DUST SEAL STRG HEAD BOT	DUST SEAL STRG HEAD BOT	1	
	53220	53220-LBA2-E00	THREAD COMP STRG HEAD TOP	THREAD COMP STRG HEAD TOP	1	
	53240	53240-LBA2-E00	BEARING TOT STRG	BEARING TOT STRG	1	
	53250	53250-LBA2-E00	BEARING BOT STRG	BEARING BOT STRG	1	
**	61100	61100-LEA7-E00	FENDER ASSY FR	FENDER ASSY FR	1	
	61102	61102-LEA7-E00	RUBBER FR FENDER R	RUBBER FR FENDER R	1	
	61103	61103-LEA7-E00	RUBBER FR FENDER L	RUBBER FR FENDER L	1	
	64222	64222-LLJ3-E00	RUBBER WIND SCREEN	RUBBER WIND SCREEN	2	
	80114	80114-KGG7-001	COLLAR RR FENDER	COLLAR RR FENDER	2	
	83550	83550-KEC8-900	COLLAR	COLLAR	2	
	83551	83551-KEC8-900	GROMMET COVER	GROMMET COVER	2	
	90107	90107-LEA7-E00	BOLT SPECIAL 8MM	BOLT SPECIAL 8MM	2	

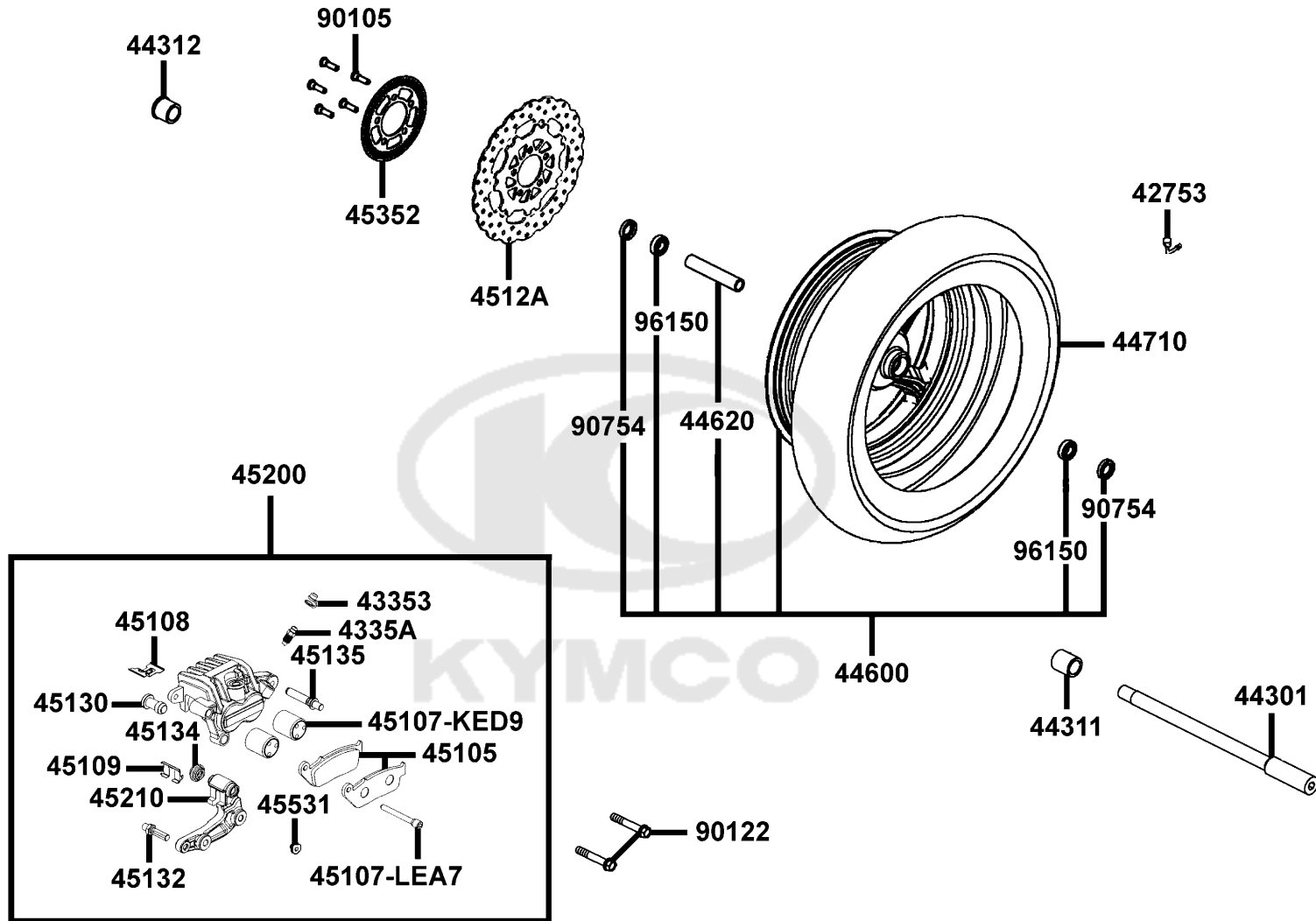


Sales mark	Ref no	Part no	Description	Reg description	Regd no	F06
90305		90305-LBA2-E00	NUT CLIP 6MM	NUT CLIP 6MM	2	
90312		90312-LLJ3-E01	COLLAR WIND SCREEN	COLLAR WIND SCREEN	2	
90503		90503-LEA7-E00	WASHER STRG STEM NUT	WASHER STRG STEM NUT	1	
93903		93903-35360	SCREW TAPPING 5*16	SCREW TAPPING 5*16	2	
95701-06008		95701-06008-06	BOLT FLANGE 6*8	BOLT FLANGE 6*8	1	
95701-06012		95701-06012-06	BOLT FLANGE 6*12	BOLT FLANGE 6*12	1	
95701-06045		95701-06045-06	BOLT FLANGE 6*45	BOLT FLANGE 6*45	2	
95801		95801-08040-08	BOLT FLANGE 8*40	BOLT FLANGE 8*40	4	
96001		96001-06012-06	BOLT FLANGE SH6*12	BOLT FLANGE SH6*12	1	
96700		96700-KED9-900	BOLT SOCKET 8*30	BOLT SOCKET 8*30	1	



F07

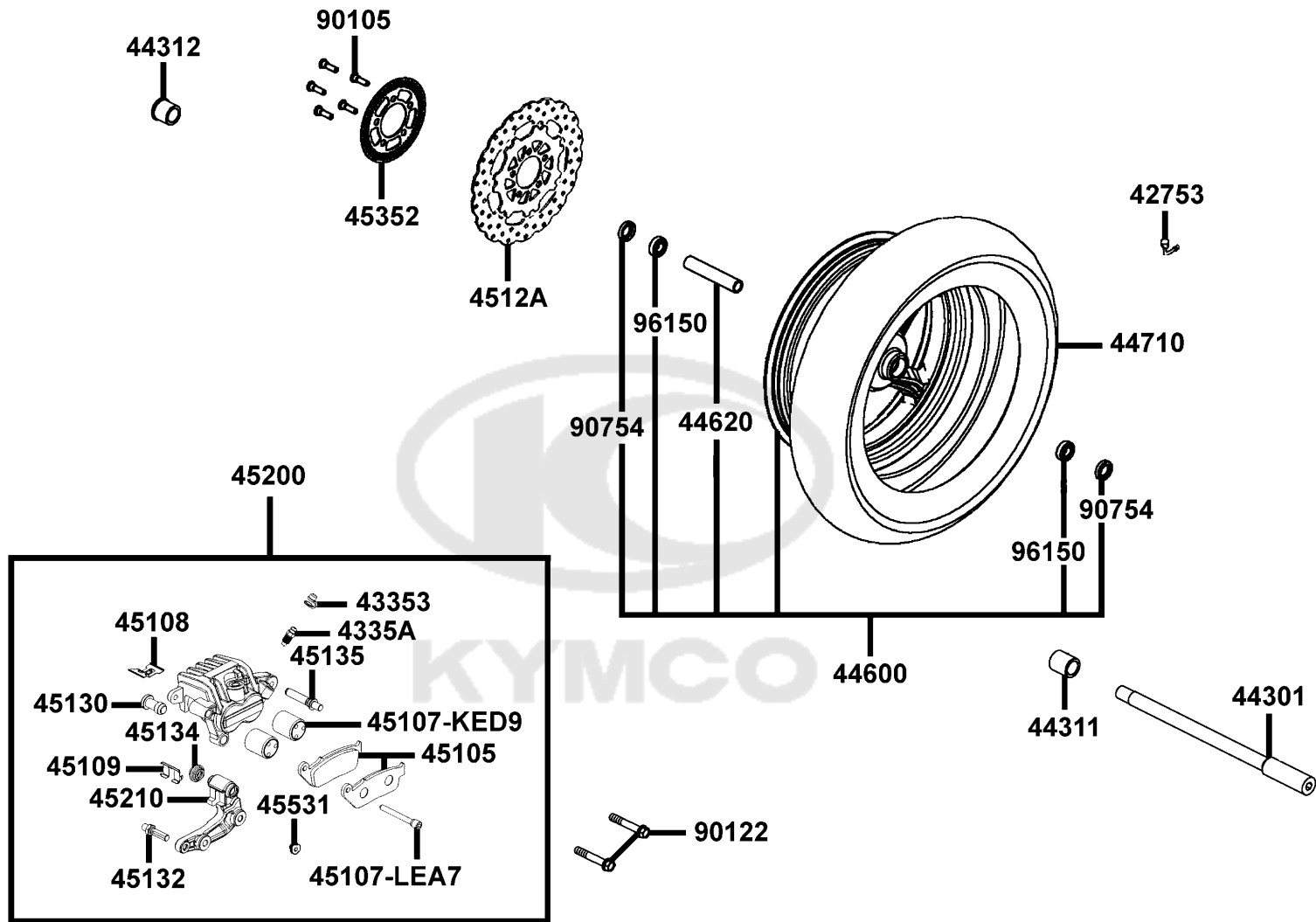
Front Wheel



Sales mark	Ref no	Part no	Description	Reg description	Regd no	F07
	42753	42753-KNBN-90B	VALVE RIM (TR412)	VALVE RIM (TR412)	1	
	43353	43353-KED9-900	CAP-BREATHER	CAP-BREATHER	1	
	4335A	4335A-LBA2-E01	BLEEDER ASSY	BLEEDER ASSY	1	
	44301	44301-LEA7-E00	AXLE. FR WHEEL	AXLE. FR WHEEL	1	
	44311	44311-LEA7-E00	COLLAR FR WHEEL SIDE	COLLAR FR WHEEL SIDE	1	
	44312	44312-LEA7-E00	COLLAR FR WHEEL SIDE	COLLAR FR WHEEL SIDE	1	
**	44600	44600-LEA7-305	WHEEL ASSY FR	WHEEL ASSY FR	1	
	44620	44620-LEA7-E00	COLLAR FR WHEEL DISTANCE	COLLAR FR WHEEL DISTANCE	1	
	44710	44710-LEA7-E0A	TIRE ASSY FR 120/80-14 MAXXIS	TIRE ASSY FR 120/80-14 MAXXIS	1	
	44710	44710-LEA7-E0B	TIRE ASSY FR 120/80-14/KENDA	TIRE ASSY FR 120/80-14/KENDA	1	
	45105	45105-LEA7-305	PAD SET	PAD SET	1	
	45107-KED9	45107-KED9-900	PISTON-COMP-BRAKE	PISTON-COMP-BRAKE	2	
	45107-LEA7	45107-LEA7-E00	PIN HANGER	PIN HANGER	1	
	45108	45108-LEA7-E00	SPRING PAD	SPRING PAD	1	
	45109	45109-KED9-900	SLIDE PAD	SLIDE PAD	1	
	4512A	4512A-LEA7-E00	DISK COMP FR BRAKE	DISK COMP FR BRAKE	1	
	45130	45130-KED9-900	BOOT	BOOT	1	
	45132	45132-KED9-900	PIN BOLT	PIN BOLT	1	
	45134	45134-KED9-900	BOOT B	BOOT B	1	
	45135	45135-KED9-900	PIN BOLT A	PIN BOLT A	1	

F07

Front Wheel

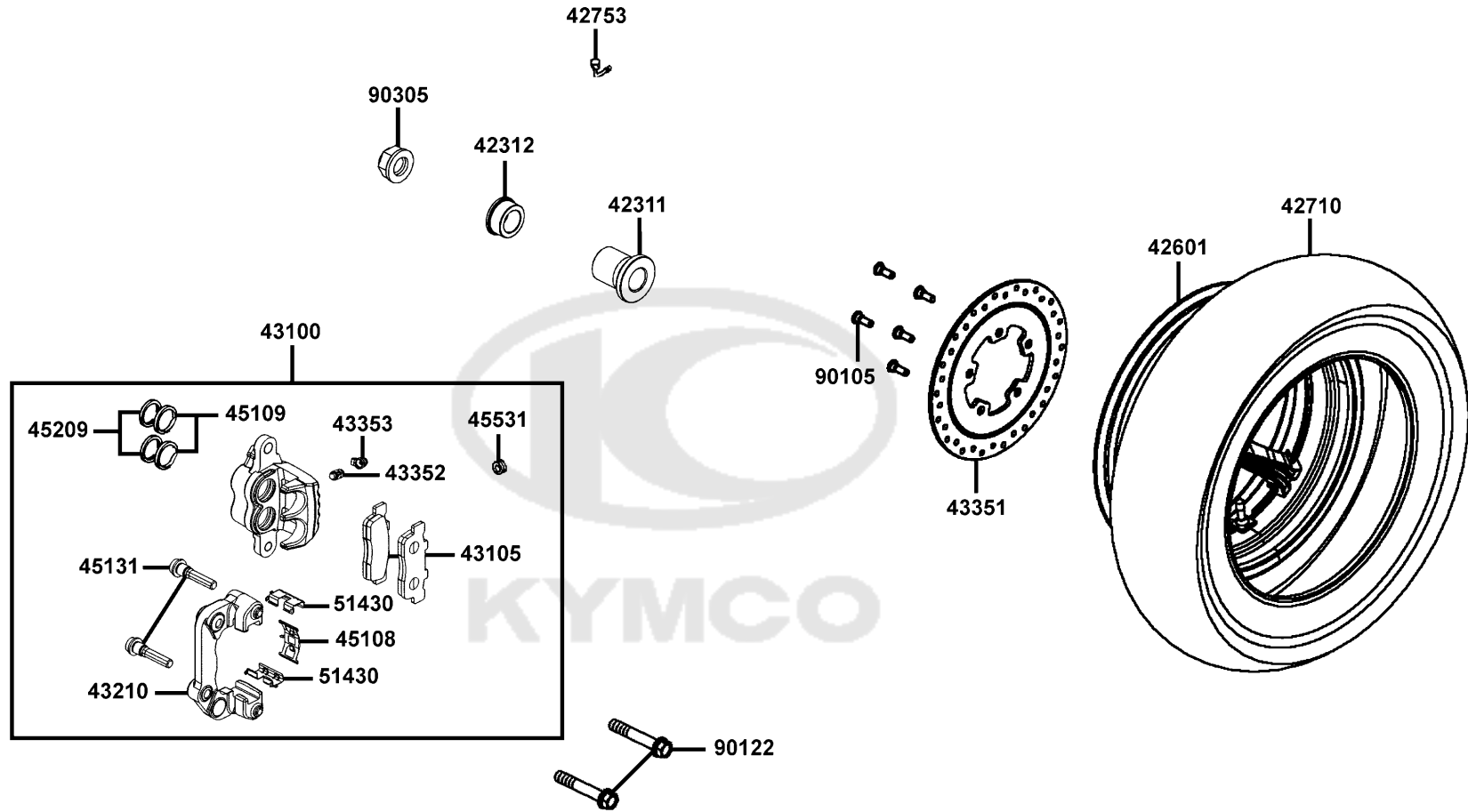


Sales mark	Ref no	Part no	Description	Reg description	Regd no	F07
**	45200	45200-LEA7-E00	CALIPER ASSY FR	CALIPER ASSY FR	1	
	45210	45210-LEA7-E00	BRACKET FR	BRACKET FR	1	
	45352	45352-LEA7-E00	TOOTHED RING SENSOR	TOOTHED RING SENSOR	1	
	45531	45531-KED9-900	PLUG	PLUG	1	
	90105	90105-LEA7-E00	BOLT FR DISK 8x30	BOLT FR DISK 8x30	5	
	90122	90122-LEA7-E00	BOLT FLANGE 10x42(Cr)	BOLT FLANGE 10x42(Cr)	2	
	90754	90754-LLJ3-E00	DUST SEAL	DUST SEAL	2	
	96150	96150-60020-10	BEARING BALL RADIAL 6002	BEARING BALL RADIAL 6002	2	



F08

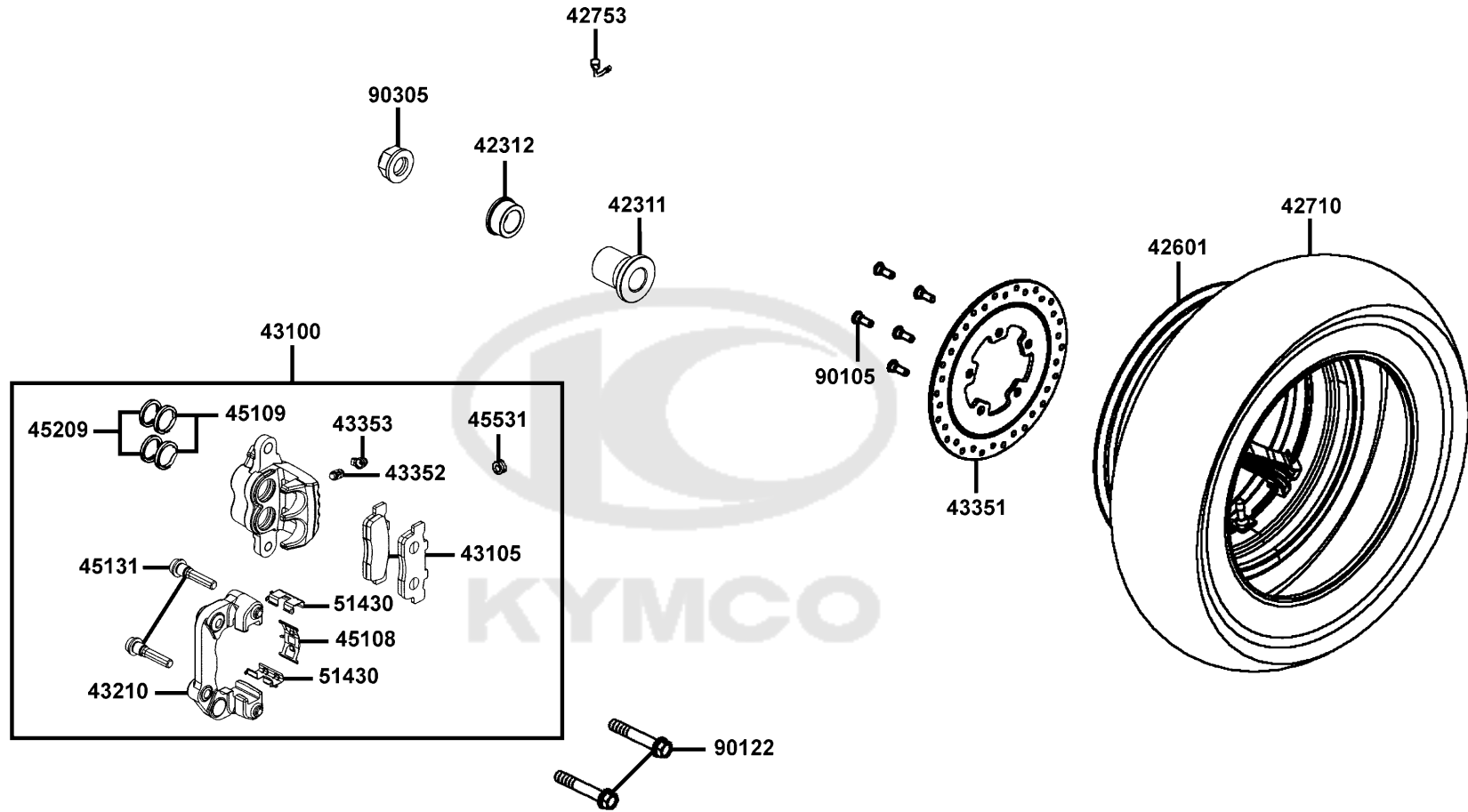
Rear Wheel



Sales mark	Ref no	Part no	Description	Reg description	Regd no	F08
	42311	42311-LEA7-900	COLLAR RR AXLE SIDE A 30*41(B)	COLLAR RR AXLE SIDE A 30*41(B)	1	
	42312	42312-LEA7-E00	COLLAR RR AXLE SIDE	COLLAR RR AXLE SIDE	1	
**	42601	42601-LEA7-E00	WHEEL COMP RR	WHEEL COMP RR	1	
	42710	42710-LEA7-E0A	TIRE ASSY RR 150/70-13/MAXXIS	TIRE ASSY RR 150/70-13/MAXXIS	1	
	42710	42710-LEA7-E0B	TIRE ASSY RR 150/70-13/KENDA	TIRE ASSY RR 150/70-13/KENDA	1	
	42753	42753-KNBN-90B	VALVE RIM (TR412)	VALVE RIM (TR412)	1	
**	43100	43100-LEA7-E00	CALIPER ASSY RR	CALIPER ASSY RR	1	
	43105	43105-LEA7-305	PAD ASSY	PAD ASSY	2	
	43210	43210-LEA7-E00	BRACKET	BRACKET	1	
	43351	43351-LEA7-E00	DISK RR BRAKE	DISK RR BRAKE	1	
	43352	43352-KKD6-E90	SCREW BLEEDER	SCREW BLEEDER	1	
	43353	43353-4A61-77A	CAP BLEEDER	CAP BLEEDER	1	
	45108	45108-LDH1-E00	SPRING PAD	SPRING PAD	1	
	45109	45109-GBE2-007	DUST SEAL	DUST SEAL	2	
	45131	45131-LDH1-E00	PIN BOLT	PIN BOLT	2	
	45209	45209-GBE2-007	SEAL PISTON	SEAL PISTON	2	
	45531	45531-GAR1-951	PLUG	PLUG	1	
	51430	51430-LEA7-E00	SLIDE PAD	SLIDE PAD	2	
	90105	90105-KCR3-001	BOLT FR DISK 8*24	BOLT FR DISK 8*24	5	
	90122	90122-LEA7-E00	BOLT FLANGE 10x42(Cr)	BOLT FLANGE 10x42(Cr)	2	

F08

Rear Wheel



Sales mark	Ref no	Part no	Description	Reg description	Regd no	F08
------------	--------	---------	-------------	-----------------	---------	------------

90305

90305-KKAK-900

NUT U FLANGE 16MM

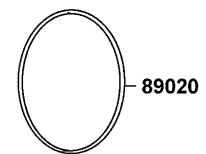
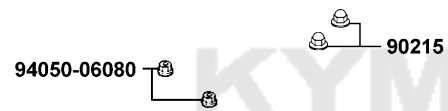
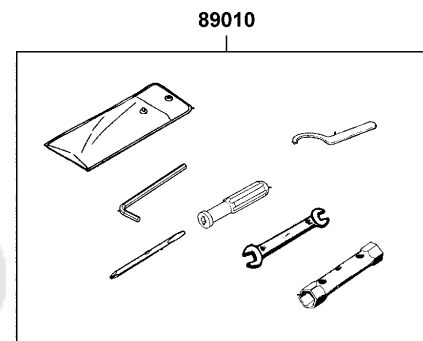
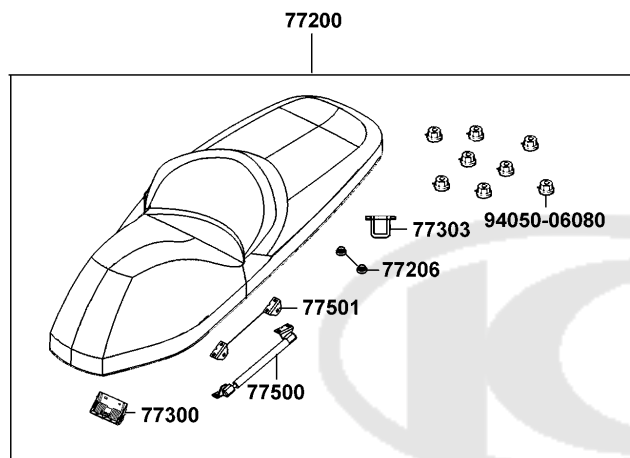
NUT U FLANGE 16MM

1



F09

Seat

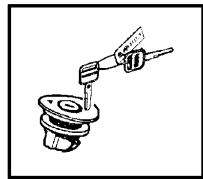


Sales mark	Ref no	Part no	Description	Reg description	Regd no	F09
**	77200	77200-LEA7-305	SEAT ASSY	SEAT ASSY	1	
	77206	77206-KEB7-900	RUBBER SEAT CUSH	RUBBER SEAT CUSH	2	
	77300	77300-LEA7-E00	HINGE COMP SEAT	HINGE COMP SEAT	1	
	77303	77303-LEA7-E00	HOOK SEAT LOCK	HOOK SEAT LOCK	2	
	77500	77500-LEA7-E00	DAMPER CAS	DAMPER CAS	1	
	77501	77501-LEA7-E00	STAY ASSY GAS	STAY ASSY GAS	1	
	89010	89010-LEA7-E00	TOOL SET	TOOL SET	1	
	89020	89020-KKC4-900	BAND TOOL SET	BAND TOOL SET	1	
	90215	90215-KKC4-900	NUT CAP 6MM	NUT CAP 6MM	2	
	94050-06080	94050-06080	NUT FLANGE 6MM	NUT FLANGE 6MM	2	

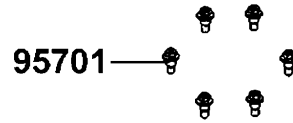


F10

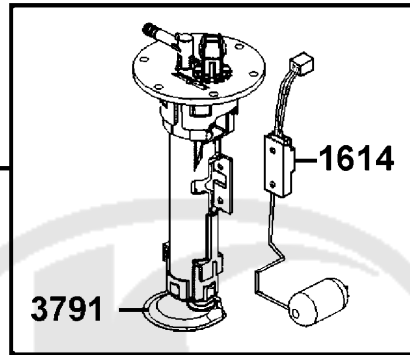
Fuel Tank



17620



95701



17550

1614

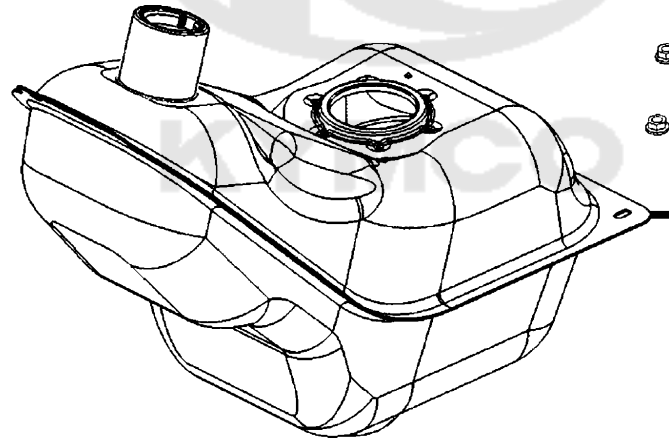
3791

17561-LKB9

17685

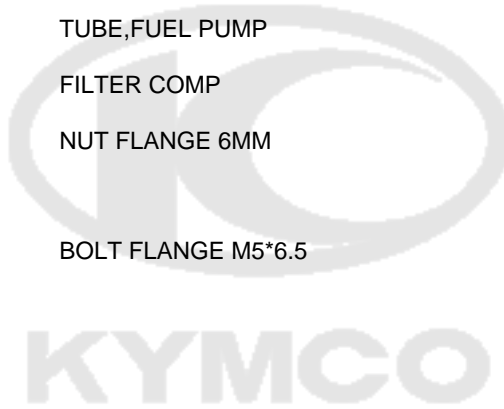
17561-LGK8

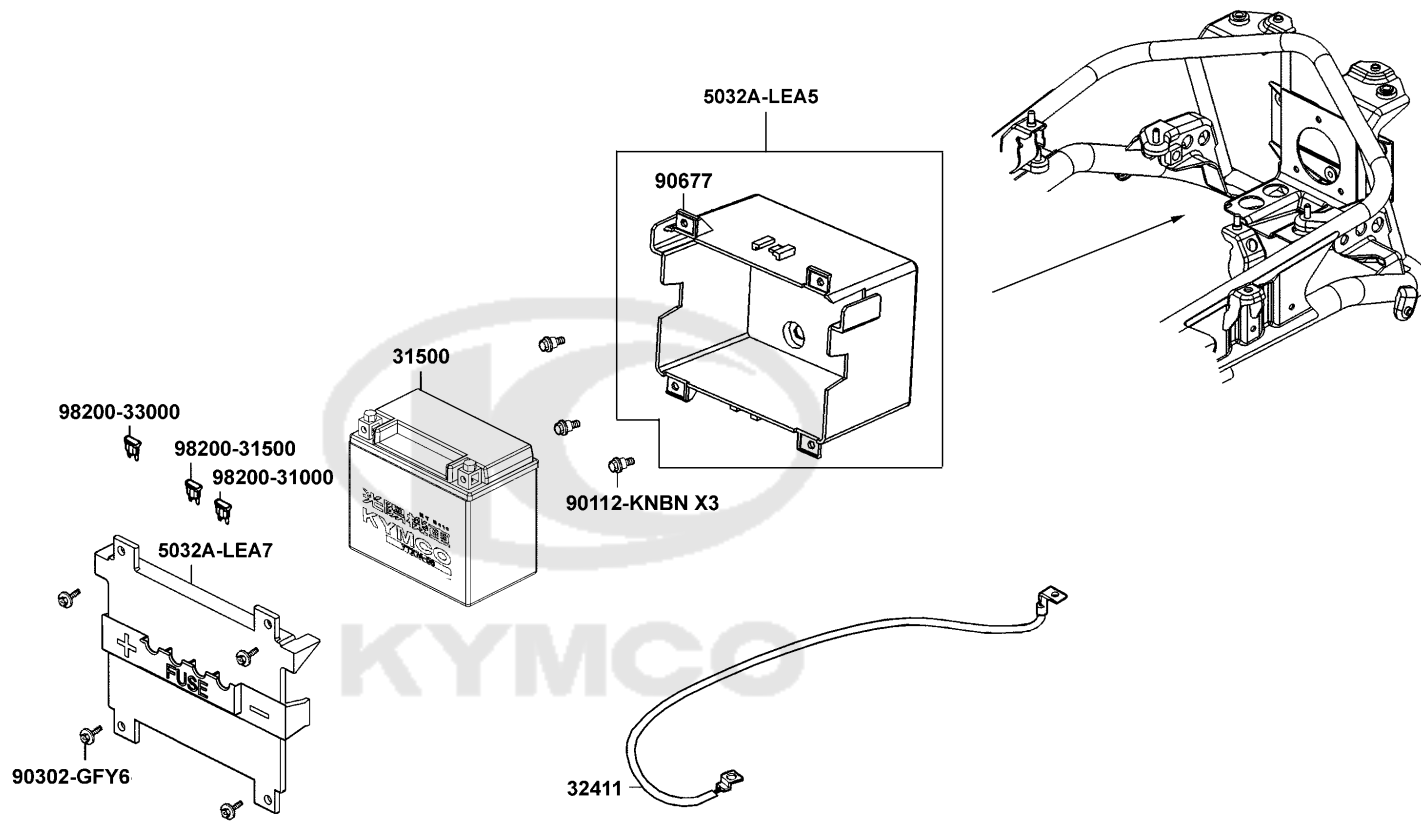
90301



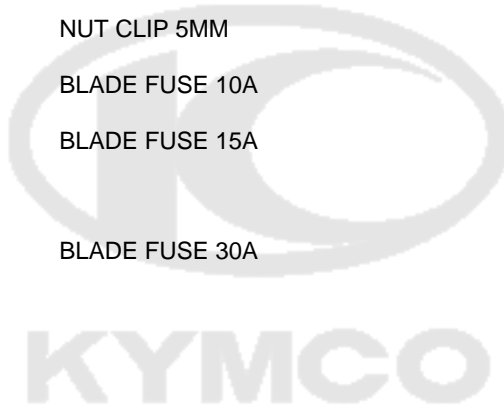
17500

Sales mark	Ref no	Part no	Description	Reg description	Regd no	F10
1614		1614-A22C-0000	FUEL LEVER SENSOR COMP	FUEL LEVER SENSOR COMP	1	
17500		17500-LEA7-E00	TANK COMP FUEL	TANK COMP FUEL	1	
17550		17550-LEA7-800	FUEL PUMP MODULE ASSY	FUEL PUMP MODULE ASSY	1	
17561-LGK8		17561-LGK8-900	CLIP 12.0	CLIP 12.0	1	
17561-LKB9		17561-LKB9-900	CLIP 12.5	CLIP 12.5	1	
17620		17620-LEA7-315-M1	CAP COMP FUEL FILLER	CAP COMP FUEL FILLER	1	
17620		17620-LEA7-315-M2	CAP COMP FUEL FILLER	CAP COMP FUEL FILLER	1	
17685		17685-LFA7-E00	TUBE,FUEL PUMP	TUBE,FUEL PUMP	1	
3791		3791-HN80-0000	FILTER COMP	FILTER COMP	1	
90301		90301-6D34-671	NUT FLANGE 6MM	NUT FLANGE 6MM	4	
95701		95701-LDF2-800	BOLT FLANGE M5*6.5	BOLT FLANGE M5*6.5	6	



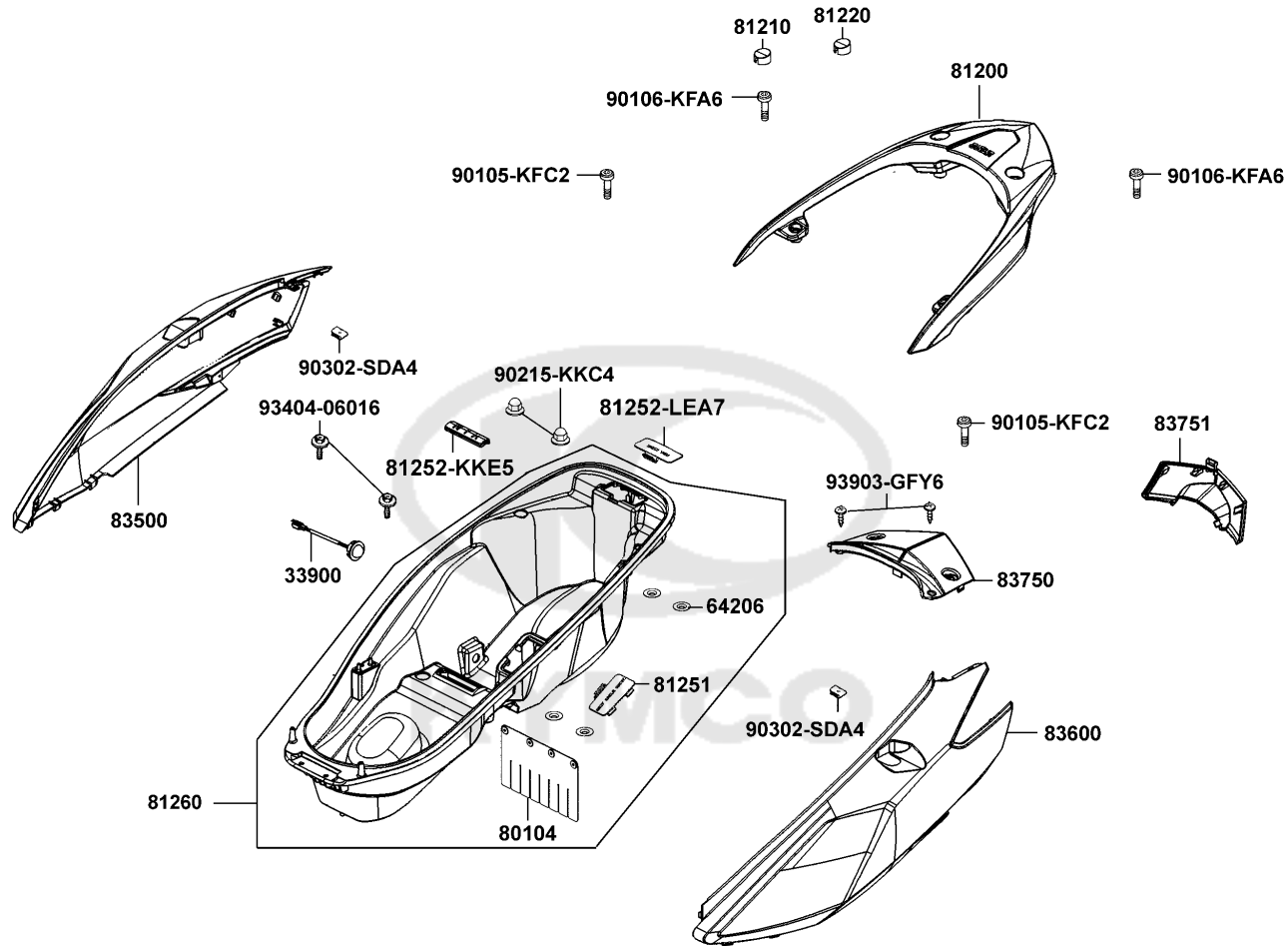


Sales mark	Ref no	Part no	Description	Reg description	Regd no	F11
31500		31500-LEA6-900	BATTERY 12A-BS	BATTERY 12A-BS	1	
31500		31500-LEA6-90B	BATTERY GT12A-BS	BATTERY GT12A-BS	1	
32411		32411-LEA7-E00	CABLE BATTERY	CABLE BATTERY	1	
5032A-LEA5		5032A-LEA5-E00	CASE ASSY BATTERY	CASE ASSY BATTERY	1	
5032A-LEA7		5032A-LEA7-E00	COVER ASSY BATTERY	COVER ASSY BATTERY	1	
90112-KNBN		90112-KNBN-901	BOLT FLANGE 6MM	BOLT FLANGE 6MM	3	
90302-GFY6		90302-GFY6-940	BOLT WASHER 5*16	BOLT WASHER 5*16	4	
90677		90677-GAR1-004	NUT CLIP 5MM	NUT CLIP 5MM	4	
98200-31000		98200-31000	BLADE FUSE 10A	BLADE FUSE 10A	1	
98200-31500		98200-31500	BLADE FUSE 15A	BLADE FUSE 15A	1	
98200-33000		98200-33000	BLADE FUSE 30A	BLADE FUSE 30A	1	



F12

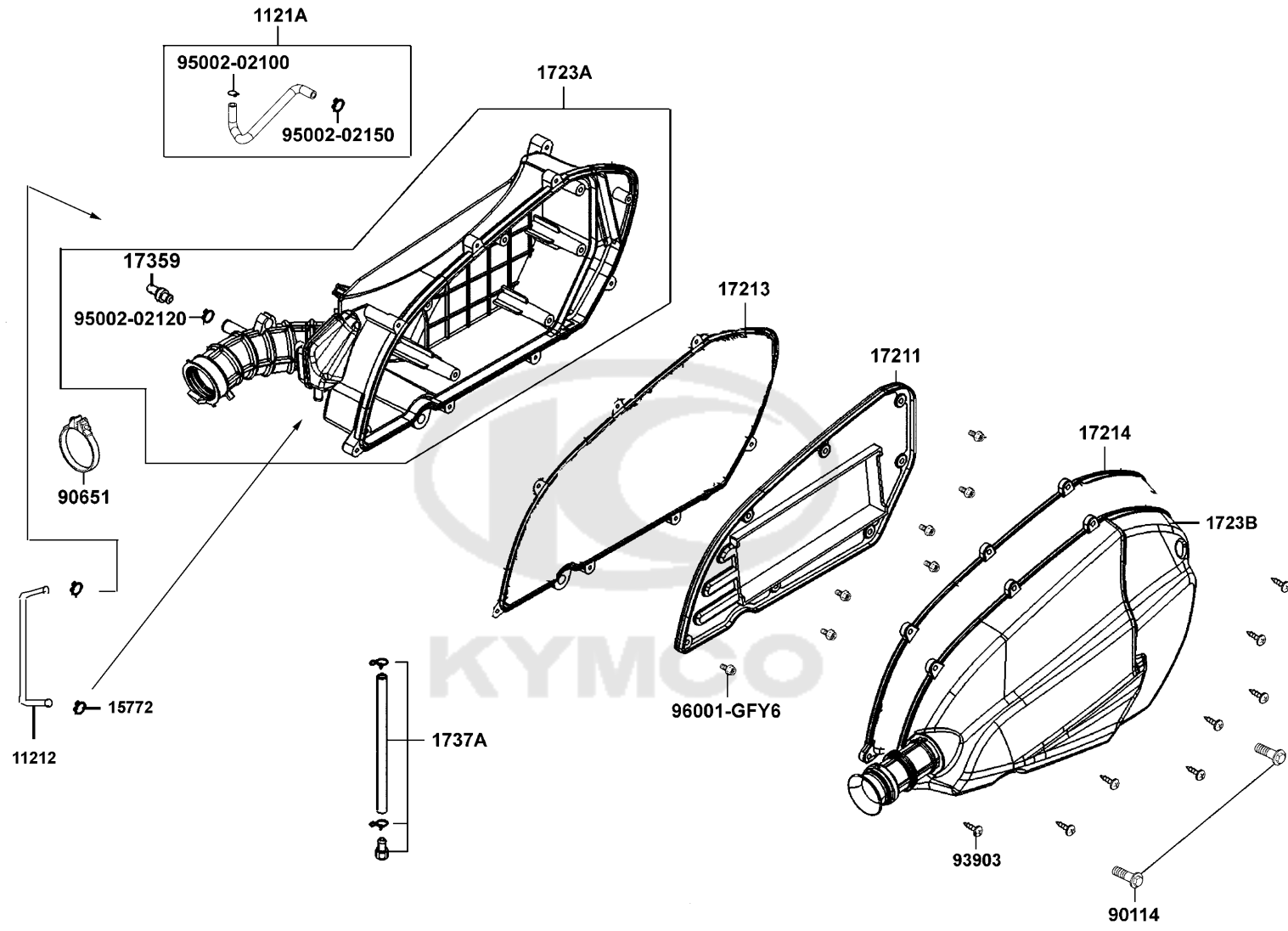
Body Cover Luggage Box



Sales mark	Ref no	Part no	Description	Reg description	Regd no	F12
	33900	33900-KKE5-E00	LIGHT ASSY LUGGAGE BOX	LIGHT ASSY LUGGAGE BOX	1	
	64206	64206-MLJ0-001	NUT SPEED 4MM	NUT SPEED 4MM	1	
	80104	80104-LBA2-E00	PLATE C SPLASH GUARD	PLATE C SPLASH GUARD	1	
**	81200	81200-LEA7-E00	COMP RR CARRIER	COMP RR CARRIER	1	
**	81210	81210-LEA7-E00	PLUG RR CARRIER	PLUG RR CARRIER	1	
**	81220	81220-LEA7-E00	PLUG L/H RR CARRIER	PLUG L/H RR CARRIER	1	
	81251	81251-LEA7-E00	COVER SEAT CABLE MAINT.	COVER SEAT CABLE MAINT.	1	
	81252-KKE5	81252-KKE5-E00	PLUG LUGGAGE BOX	PLUG LUGGAGE BOX	1	
	81252-LEA7	81252-LEA7-E00	COVER P.D.A. MAINT	COVER P.D.A. MAINT	1	
	81260	81260-LEA7-E00	BOX ASSY,LUGGAGE	BOX ASSY,LUGGAGE	1	
**	83500	83500-LEA7-E00	COVER R BODY	COVER R BODY	1	
**	83600	83600-LEA7-E00	COVER L BODY	COVER L BODY	1	
**	83750	83750-LEA7-E00	COVER RR CENTER	COVER RR CENTER	1	
**	83751	83751-LEA7-E00	MOLDING RR CENTER	MOLDING RR CENTER	1	
	90105-KFC2	90105-KFC2-900	BOLT-WASH 8MM	BOLT-WASH 8MM	2	
	90106-KFA6	90106-KFA6-900	BOLT WASH 8*75	BOLT WASH 8*75	2	
	90215-KKC4	90215-KKC4-900	NUT CAP 6MM	NUT CAP 6MM	2	
	90302-SDA4	90302-SDA4-004	NUT SPRING 4MM	NUT SPRING 4MM	2	
	93404-06016	93404-06016-06	BOLT WASHER 6*16	BOLT WASHER 6*16	2	
	93903-GFY6	93903-GFY6-900	SCREW TAPP 4*14	SCREW TAPP 4*14	2	

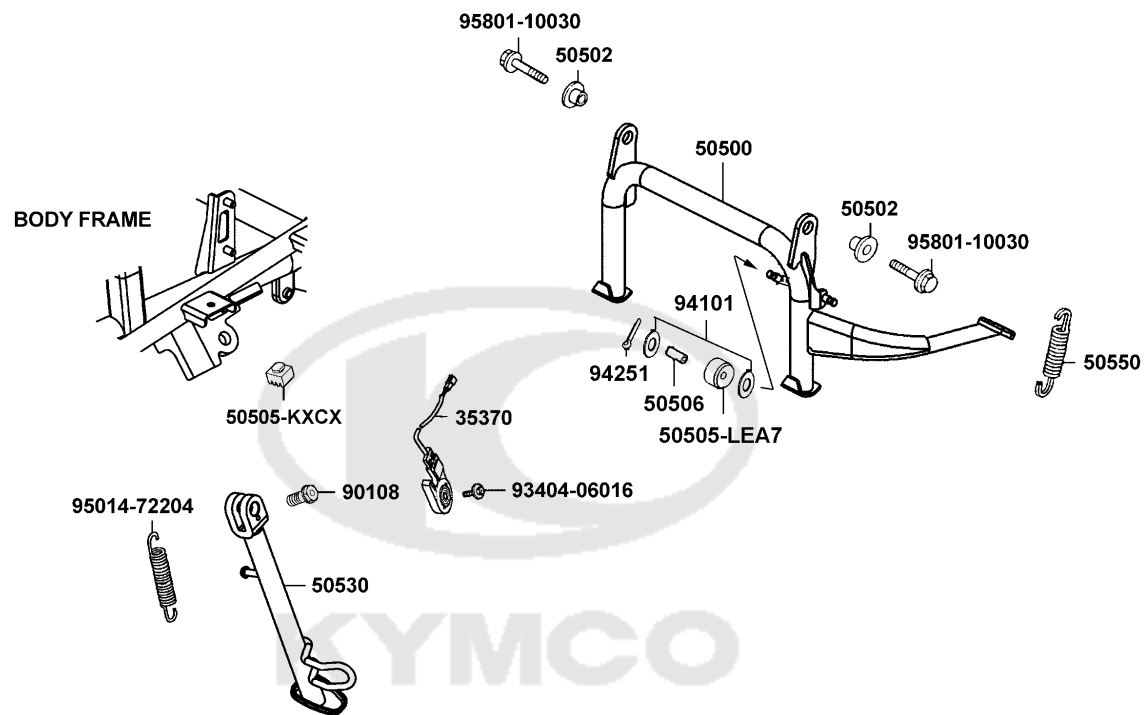
F13

Air Cleaner



Sales mark	Ref no	Part no	Description	Reg description	Regd no	F13
11212		11212-LFA7-E00	TUBE AIR/C BLOW-BY	TUBE AIR/C BLOW-BY	1	
1121A		1121A-LFA7-E00	TUBE, BREATHER	TUBE, BREATHER	1	
15772		15772-5L00-013	CLIP BREATHER PIPE	CLIP BREATHER PIPE	2	
17211		17211-LFA7-E00	ELEMENT, AIR/C	ELEMENT, AIR/C	1	
17213		17213-LEA7-E00	SEAL ELEMENT AIR/C	SEAL ELEMENT AIR/C	1	
17214		17214-LEA7-E00	SEAL CASE AIR/C	SEAL CASE AIR/C	1	
1723A		1723A-LFA7-E00	CASE ASS.Y.AIR/C	CASE ASS.Y.AIR/C	1	
1723B		1723B-LFA7-E00	COVER ASSY AIR/C	COVER ASSY AIR/C	1	
17359		17359-4K19-671	JOINT BREATHER TUBE	JOINT BREATHER TUBE	1	
1737A		1737A-KUDU-900	V TUBE ASSY	V TUBE ASSY	1	
90114		90114-GDM4-011	BOLT FLANGE SH 6*28	BOLT FLANGE SH 6*28	2	
90651		90651-LFB5-900	BAND 47.5 AIR/C CONNECTING TUBE	BAND 47.5 AIR/C CONNECTING TUBE	1	
93903		93903-25460	SCREW TAPPING 5*20	SCREW TAPPING 5*20	8	
95002-02100		95002-02100	CLIP B10 TUBE	CLIP B10 TUBE	1	
95002-02120		95002-02120	CLIP B12 TUBE	CLIP B12 TUBE	1	
95002-02150		95002-02150	CLIP B14.5 TUBE	CLIP B14.5 TUBE	1	
96001-GFY6		96001-GFY6-900	BOLT SPECIAL 5*10	BOLT SPECIAL 5*10	7	

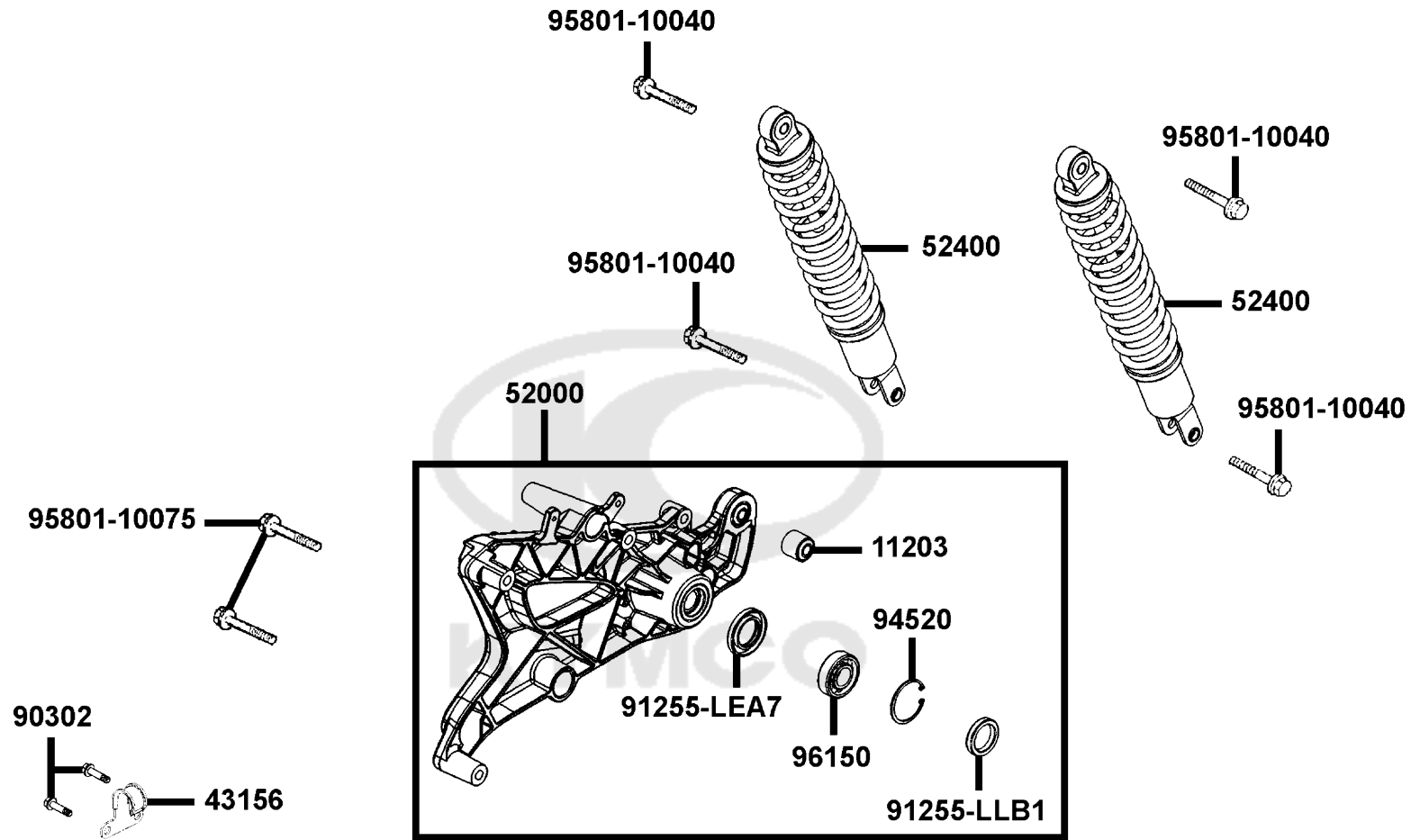
Sales mark	Ref no	Part no	Description	Reg description	Regd no	F14
	18291-KEBE	18291-KEBE-900	COLLAR	COLLAR	9	
	18291-LBA7	18291-LBA7-900	GASKET EXH PIPE	GASKET EXH PIPE	1	
	18292	18292-KEBE-900	PACKING PROTECTOR	PACKING PROTECTOR	9	
	18293	18293-KEBE-900	RUBBER PKG PROTECTOR	RUBBER PKG PROTECTOR	9	
	18294	18294-KEBE-900	PACKING PROTECTOR	PACKING PROTECTOR	18	
**	18307	18307-LFA7-E00	TAIL CAP MUFFLER	TAIL CAP MUFFLER	1	
**	1830A	1830A-LFA7-E0D	MUFFLER ASSY EXH	MUFFLER ASSY EXH	1	
**	18318	18318-LFA7-E00	PROTECTOR MUFFLER	PROTECTOR MUFFLER	1	
	39450	39450-LEA6-800	O2 SENSOR	O2 SENSOR	1	
	90110	90110-KHD8-900	SCREW SPECIAL 6*20	SCREW SPECIAL 6*20	5	
	90301	90301-GFY6-901	NUT (HEX) CAP 8MM	NUT (HEX) CAP 8MM	2	
	95701	95701-06025-08	BOLT FLANGE 6*25	BOLT FLANGE 6*25	4	
	95801	95801-10045-06	BOLT FLANGE 10*45 (G)	BOLT FLANGE 10*45 (G)	3	



Sales mark	Ref no	Part no	Description	Reg description	Regd no	F15
35370		35370-LLJ3-E00	SW UNIT SIDE STAND	SW UNIT SIDE STAND	1	
50500		50500-LFA7-E00	STAND COMP..MAIN	STAND COMP..MAIN	1	
50502		50502-LDF7-E10	COLLAR MAIN STAND	COLLAR MAIN STAND	2	
50505-KXCX		50505-KXCX-900	STOPPER RUBBER STAND	STOPPER RUBBER STAND	1	
50505-LEA7		50505-LEA7-E00	STOPPER RUBBER	STOPPER RUBBER	1	
50506		50506-KHE7-E00	COLLAR STOPPER RUBBER	COLLAR STOPPER RUBBER	1	
50530		50530-LEA7-E00	BAR. SIDE STAND	BAR. SIDE STAND	1	
50550		50550-KKC2-E00	SPRING ASSY MAIN STAND	SPRING ASSY MAIN STAND	1	
90108		90108-KKC4-900	SCREW SIDE STAND PIVOT	SCREW SIDE STAND PIVOT	1	
93404-06016		93404-06016-06	BOLT WASHER 6*16	BOLT WASHER 6*16	1	
94101		94101-08800	WASHER PLAIN 8MM	WASHER PLAIN 8MM	2	
94251		94251-08400	PIN LOCK 8MM	PIN LOCK 8MM	1	
95014-72204		95014-72204	SPRING B1 SIDE STAND	SPRING B1 SIDE STAND	1	
95801-10030		95801-10030-06	BOLT FLANGE 10*30	BOLT FLANGE 10*30	2	

F16

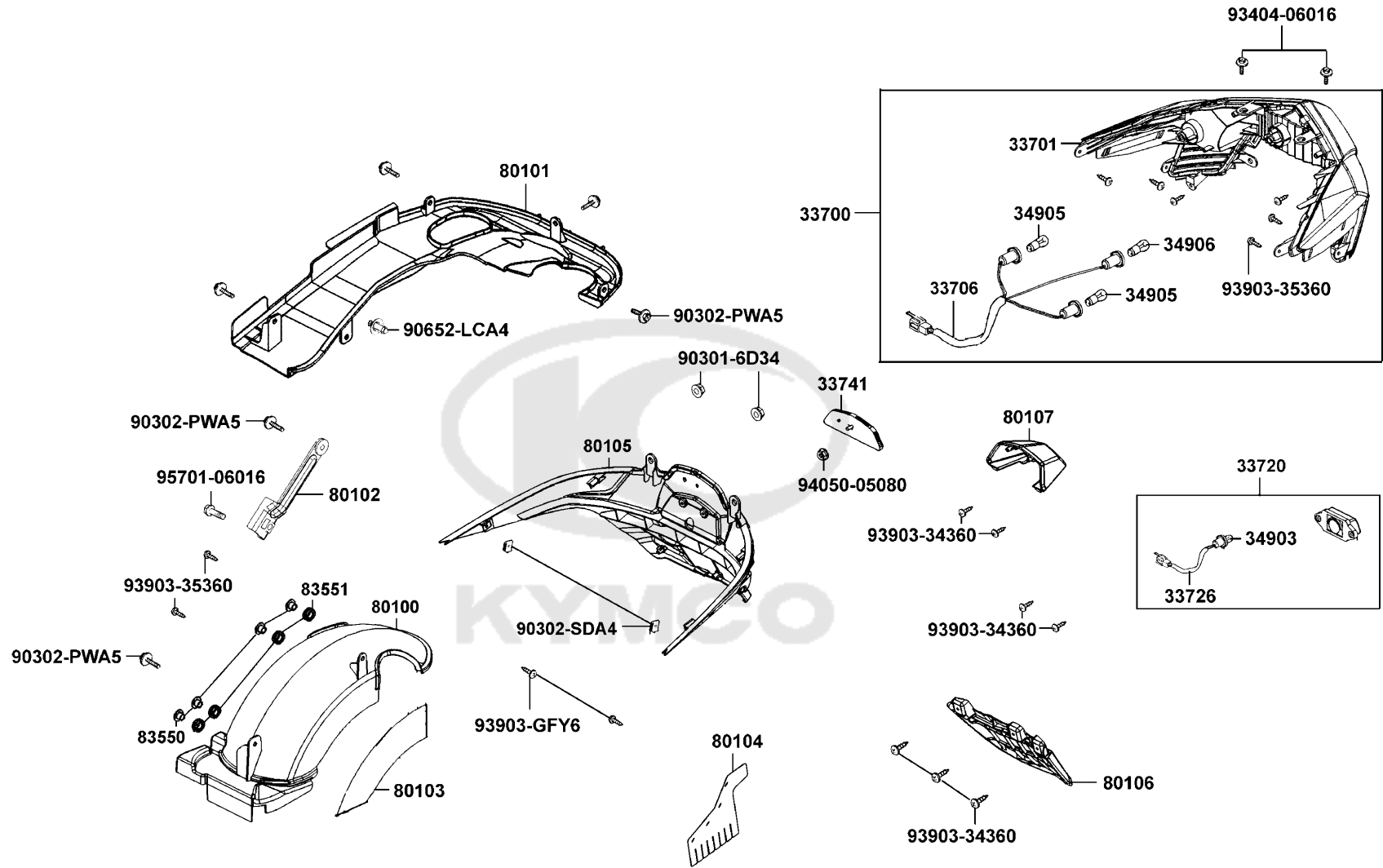
Rear Cushion



Sales mark	Ref no	Part no	Description	Reg description	Regd no	F16
	11203	11203-LBA2-E00	RUB BUSH L CASE	RUB BUSH L CASE	1	
	43156	43156-LEA7-E00	CLAMPER HOSE RR	CLAMPER HOSE RR	1	
**	52000	52000-LFA7-E00	FORK ASSY. RR	FORK ASSY. RR	1	
**	52400	52400-LFA7-E00	CUSHION ASSY. RR	CUSHION ASSY. RR	2	
	90302	90302-LLB1-E00	BOLT WASH 5*12	BOLT WASH 5*12	2	
	91255-LEA7	91255-LEA7-E00	OIL SEAL 30*50*7	OIL SEAL 30*50*7	1	
	91255-LLB1	91255-LLB1-900	OIL SEAL 30*40*7	OIL SEAL 30*40*7	1	
	94520	94520-47000	CIR CLIP IN 47	CIR CLIP IN 47	1	
	95801-10040	95801-10040-02	BOLT FLANGE 10*40	BOLT FLANGE 10*40	4	
	95801-10075	95801-10075-06	BOLT FLANGE 10x75 (G)	BOLT FLANGE 10x75 (G)	2	
	96150	96150-62040-10	BEARING BALL RADIAL 6204	BEARING BALL RADIAL 6204	1	

F17

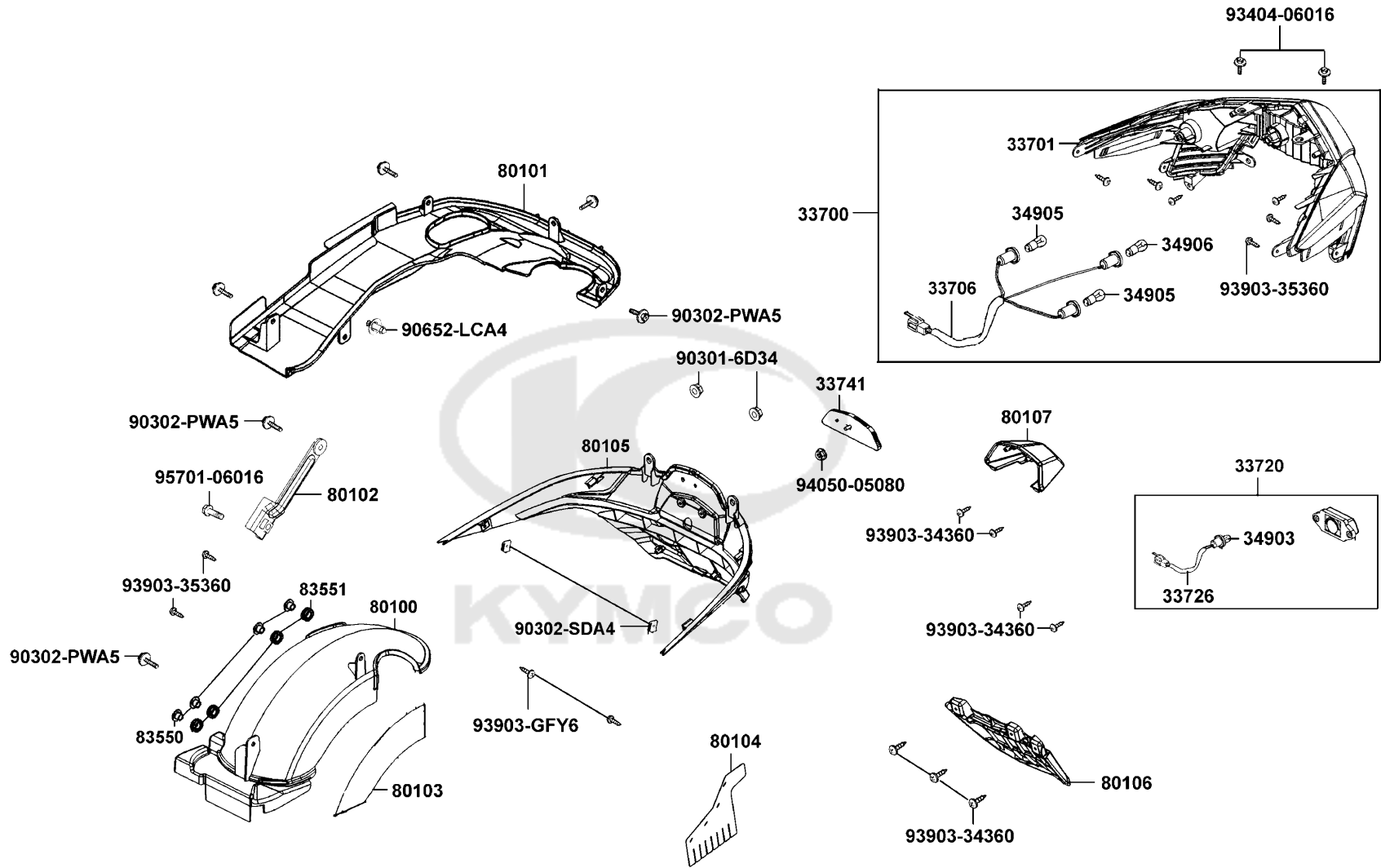
Rear Light Rear Fender



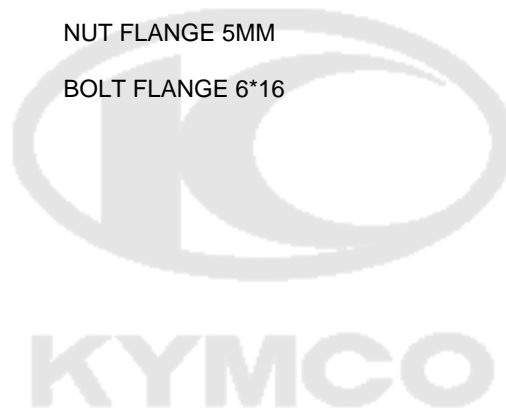
Sales mark	Ref no	Part no	Description	Reg description	Regd no	F17
	33700	33700-LEA7-E00	LIGHT ASSY RR COMB.	LIGHT ASSY RR COMB.	1	
	33701	33701-LEA7-E00	UNIT TAIL LIGHT	UNIT TAIL LIGHT	1	
	33706	33706-LEA7-E00	SOCKET COMP TAIL LIGHT	SOCKET COMP TAIL LIGHT	1	
	33720	33720-LBB5-E00	LIGHT ASSY LICENSE	LIGHT ASSY LICENSE	1	
	33726	33726-LBB5-E00	SCOKET COMP	SCOKET COMP	1	
	33741	33741-LEA7-E00	REFLEX REFLECTOR	REFLEX REFLECTOR	1	
	34903	34903-KPCP-900	BULB POSITION	BULB POSITION	1	
	34905	34905-LCA5-E00	BULB WINKER	BULB WINKER	2	
	34906	34906-KPCP-900	BULB TAIL & STOP 12V21W/5W	BULB TAIL & STOP 12V21W/5W	1	
**	80100	80100-LEA7-E00	FENDER RR TIRE	FENDER RR TIRE	1	
**	80101	80101-LEA7-E00	FENDER RR INNER	FENDER RR INNER	1	
	80102	80102-LEA7-E00	STAY RR TIRE FENDER	STAY RR TIRE FENDER	1	
	80103	80103-LEA7-E00	SPONGE TAPE FENDER	SPONGE TAPE FENDER	1	
	80104	80104-LFA7-E00	PLATE SPLASH GUARD	PLATE SPLASH GUARD	1	
**	80105	80105-LEA7-E00	FENDER RR	FENDER RR	1	
**	80106	80106-LEA7-E00	FENDER LOW RR	FENDER LOW RR	1	
**	80107	80107-LEA7-E00	COVER LICENSE LIGHT	COVER LICENSE LIGHT	1	
	83550	83550-KEC8-900	COLLAR	COLLAR	4	
	83551	83551-KEC8-900	GROMMET COVER	GROMMET COVER	4	
	90301-6D34	90301-6D34-671	NUT FLANGE 6MM	NUT FLANGE 6MM	2	

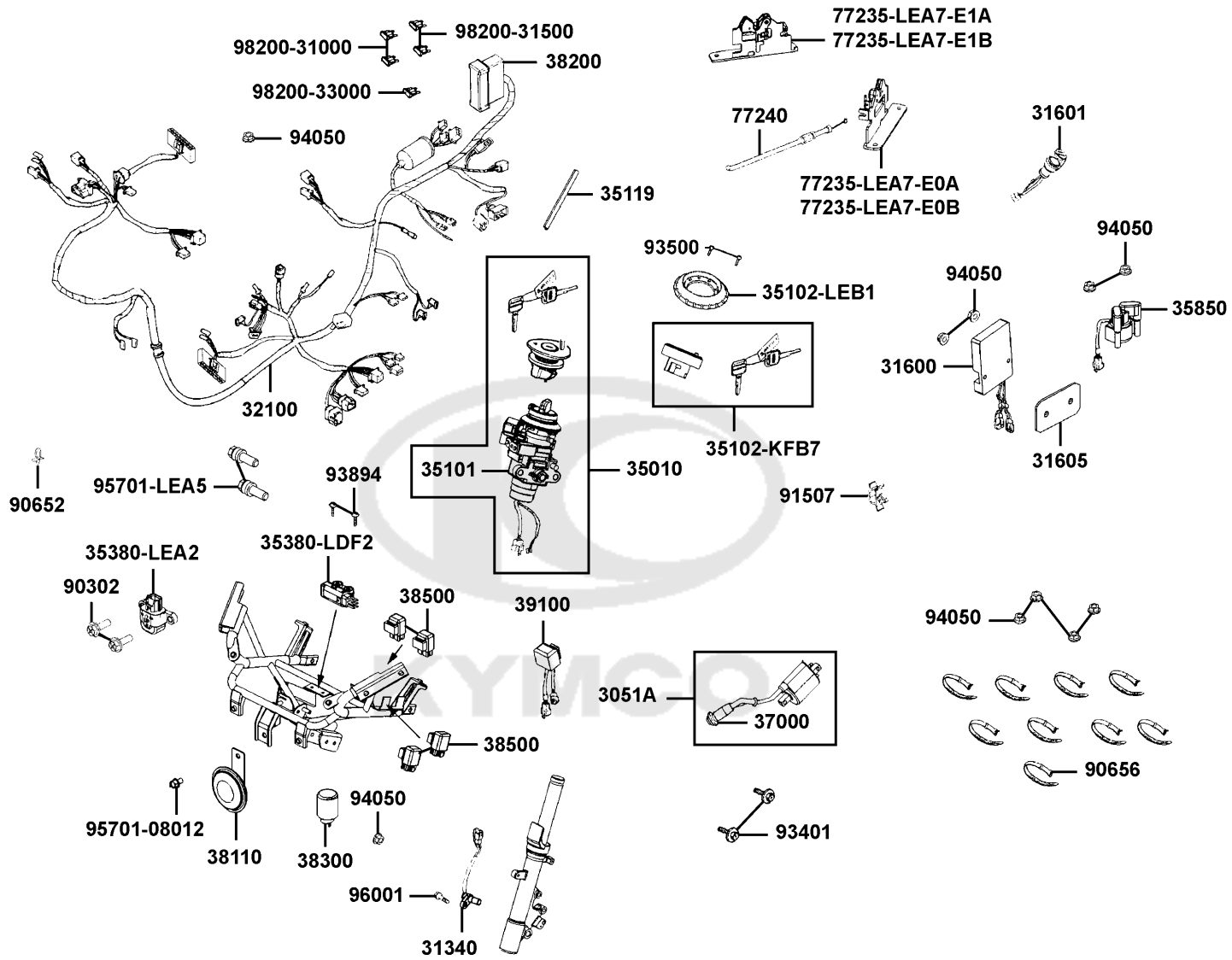
F17

Rear Light Rear Fender

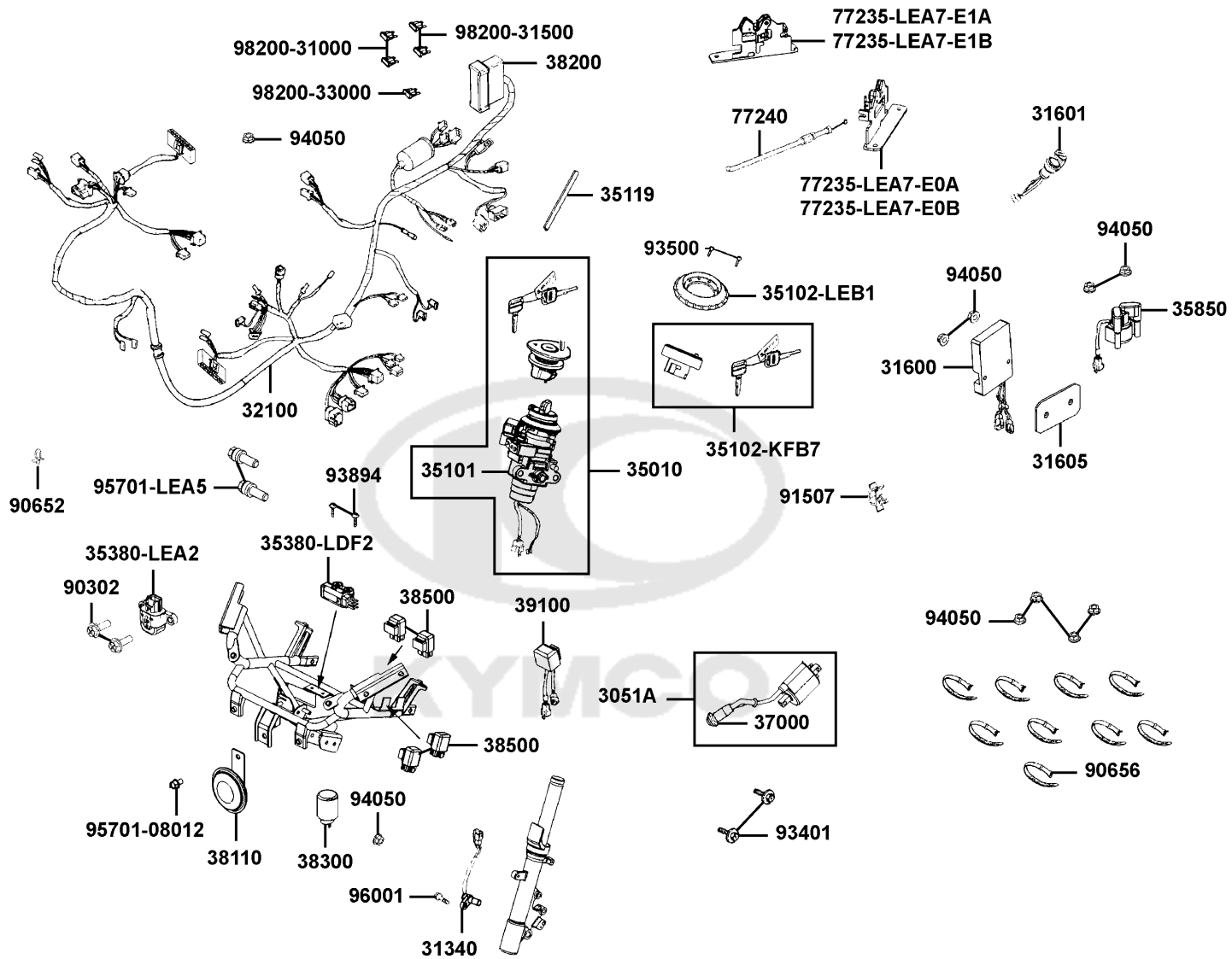


Sales mark	Ref no	Part no	Description	Reg description	Regd no	F17
	90302-PWA5	90302-PWA5-900	BOLT-WASH 5*12	BOLT-WASH 5*12	6	
	90302-SDA4	90302-SDA4-004	NUT SPRING 4MM	NUT SPRING 4MM	2	
	90652-LCA4	90652-LCA4-E00	CLIP MUDGUARD	CLIP MUDGUARD	1	
	93404-06016	93404-06016-06	BOLT WASHER 6*16	BOLT WASHER 6*16	2	
	93903-34360	93903-34360	SCREW TAPPING 4*12	SCREW TAPPING 4*12	7	
	93903-35360	93903-35360	SCREW TAPPING 5*16	SCREW TAPPING 5*16	8	
	93903-GFY6	93903-GFY6-900	SCREW TAPP 4*14	SCREW TAPP 4*14	2	
	94050	94050-05080	NUT FLANGE 5MM	NUT FLANGE 5MM	1	
	95701-06016	95701-06016-06	BOLT FLANGE 6*16	BOLT FLANGE 6*16	1	

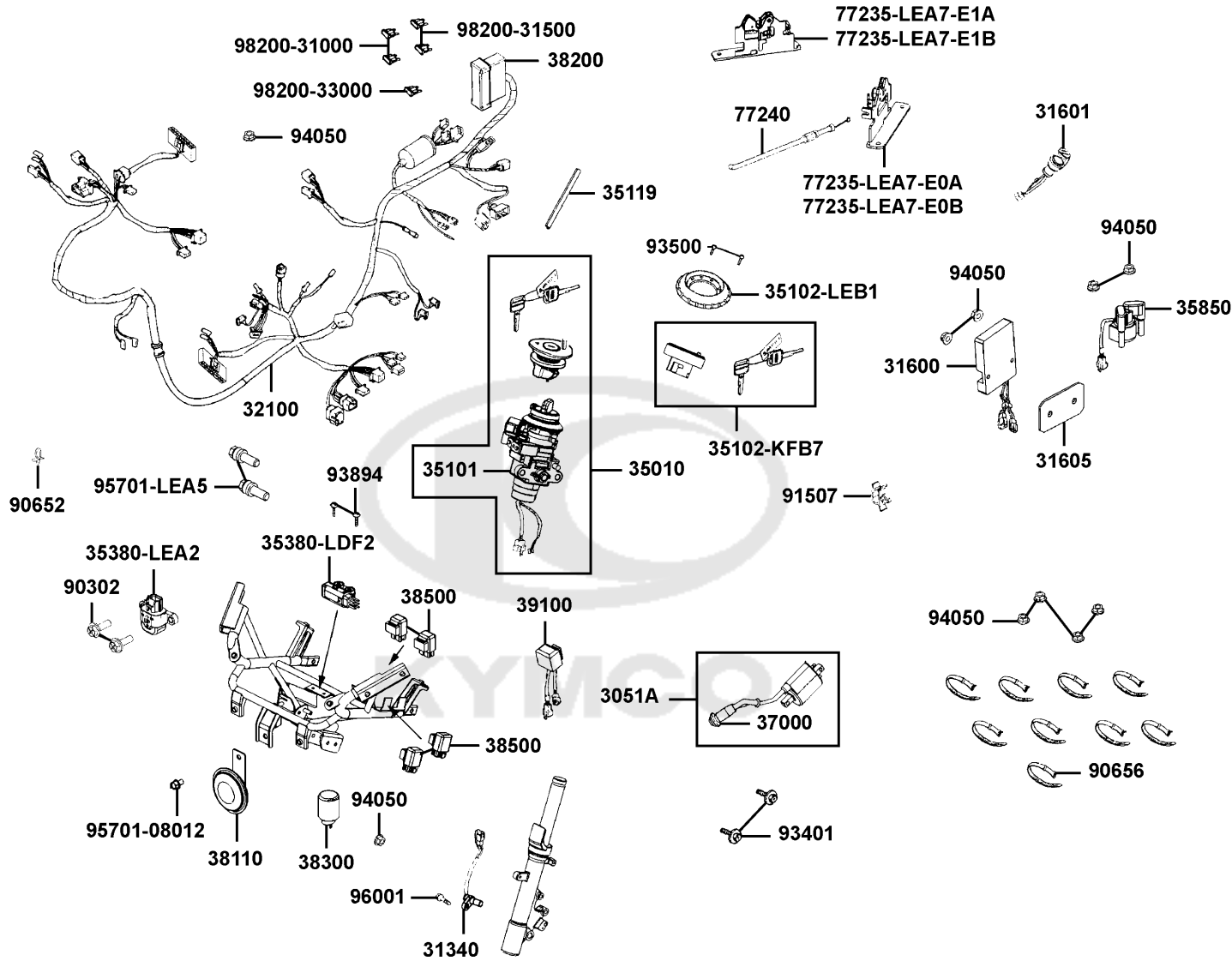




Sales mark	Ref no	Part no	Description	Reg description	Regd no	F18
3051A		3051A-LFA7-E00	COIL ASS.Y IGNITION	COIL ASS.Y IGNITION	1	
30700		30700-LGM5-900	CAP ASSY NOISE SUPPERSOR	CAP ASSY NOISE SUPPERSOR	1	
31340		31340-LEA7-E00	SENSOR FR WHEEL SPEED	SENSOR FR WHEEL SPEED	1	
31600		31600-KED9-900	REG REC COMP	REG REC COMP	1	
31601		31601-LEA7-E00	SOCKET COMP DC 12V	SOCKET COMP DC 12V	1	
31605		31605-KKE5-E00	STAY, REG REC COMP	STAY, REG REC COMP	1	
32100		32100-LFA7-E01	HARNESS WIRE	HARNESS WIRE	1	
35010		35010-LEA7-324-M1	KEY SET COMB	KEY SET COMB	1	
35010		35010-LEA7-324-M2	KEY SET COMB	KEY SET COMB	1	
35101		35101-LEA7-314-M1	KEY SET LOCK & COMB	KEY SET LOCK & COMB	1	
35101		35101-LEA7-314-M2	KEY SET LOCK & COMB	KEY SET LOCK & COMB	1	
35102-KFB7		35102-KFB7-305-M1	SHUTTER MAGNETIC LOCK SET	SHUTTER MAGNETIC LOCK SET	1	
35102-KFB7		35102-KFB7-305-M2	SHUTTER MAGNETIC LOCK SET	SHUTTER MAGNETIC LOCK SET	1	
35102-LEB1		35102-LEB1-90A	COLLAR MAIN SW	COLLAR MAIN SW	1	
35102-LEB1		35102-LEB1-90B	COLLAR MAIN SW	COLLAR MAIN SW	1	
35119		35119-LEB1-90A	COVER SEAT CABLE	COVER SEAT CABLE	1	
35119		35119-LEB1-90B	COVER SEAT CABLE	COVER SEAT CABLE	1	
35380-LDF2		35380-LDF2-900	SENSOR ANGLE DETECT	SENSOR ANGLE DETECT	1	
35380-LEA2		35380-LEA2-900	SENSOR ANGLE DETECT	SENSOR ANGLE DETECT	1	
35850		35850-KHB4-90A	SET START MAG	SET START MAG	1	



Sales mark	Ref no	Part no	Description	Reg description	Regd no	F18
38110		38110-KKC3-90B	HORN COMP	HORN COMP	2	
38200		38200-KHE7-900	BOX COMP FUSE	BOX COMP FUSE	1	
38300		38300-LEA7-E00	RELAY COMP WINKER	RELAY COMP WINKER	1	
38500		38500-LGL3-90D	RELAY COMP. START	RELAY COMP. START	1	
39100		39100-LEA7-E00	EMI FILTER FAN MOTOR	EMI FILTER FAN MOTOR	1	
77235-LEA7-E0A		77235-LEA7-E0A	SEAT CATCH	SEAT CATCH	1	
77235-LEA7-E0B		77235-LEA7-E0B	SEAT CATCH	SEAT CATCH	1	
77235-LEA7-E1A		77235-LEA7-E1A	SEAT CATCH	SEAT CATCH	1	
77235-LEA7-E1B		77235-LEA7-E1B	SEAT CATCH	SEAT CATCH	1	
77240		77240-LEA7-E00	CABLE SEAT LOCK	CABLE SEAT LOCK	1	
90302		90302-GFY6-940	BOLT WASHER 5*16	BOLT WASHER 5*16	2	
90652		90652-LGL7-E00	CLIP 8*120	CLIP 8*120	1	
90656		90656-KCBC-900	BAND OIL HANDLE	BAND OIL HANDLE	9	
91507		91507-LEA7-E00	CLIP	CLIP	1	
93401		93401-04025-08	BOLT WASHER 4*25	BOLT WASHER 4*25	2	
93500		93500-KHC4-90A	SCREW PAN 5*10	SCREW PAN 5*10	2	
93894		93894-04022-08	SCREW WASHER 4*22	SCREW WASHER 4*22	2	
94050		94050-06080	NUT FLANGE 6MM	NUT FLANGE 6MM	10	
95701-08012		95701-08012-08	BOLT FLANGE 8X12	BOLT FLANGE 8X12	1	
95701-LEA5		95701-LEA5-E00	BOLT TORQUE 8*25	BOLT TORQUE 8*25	2	

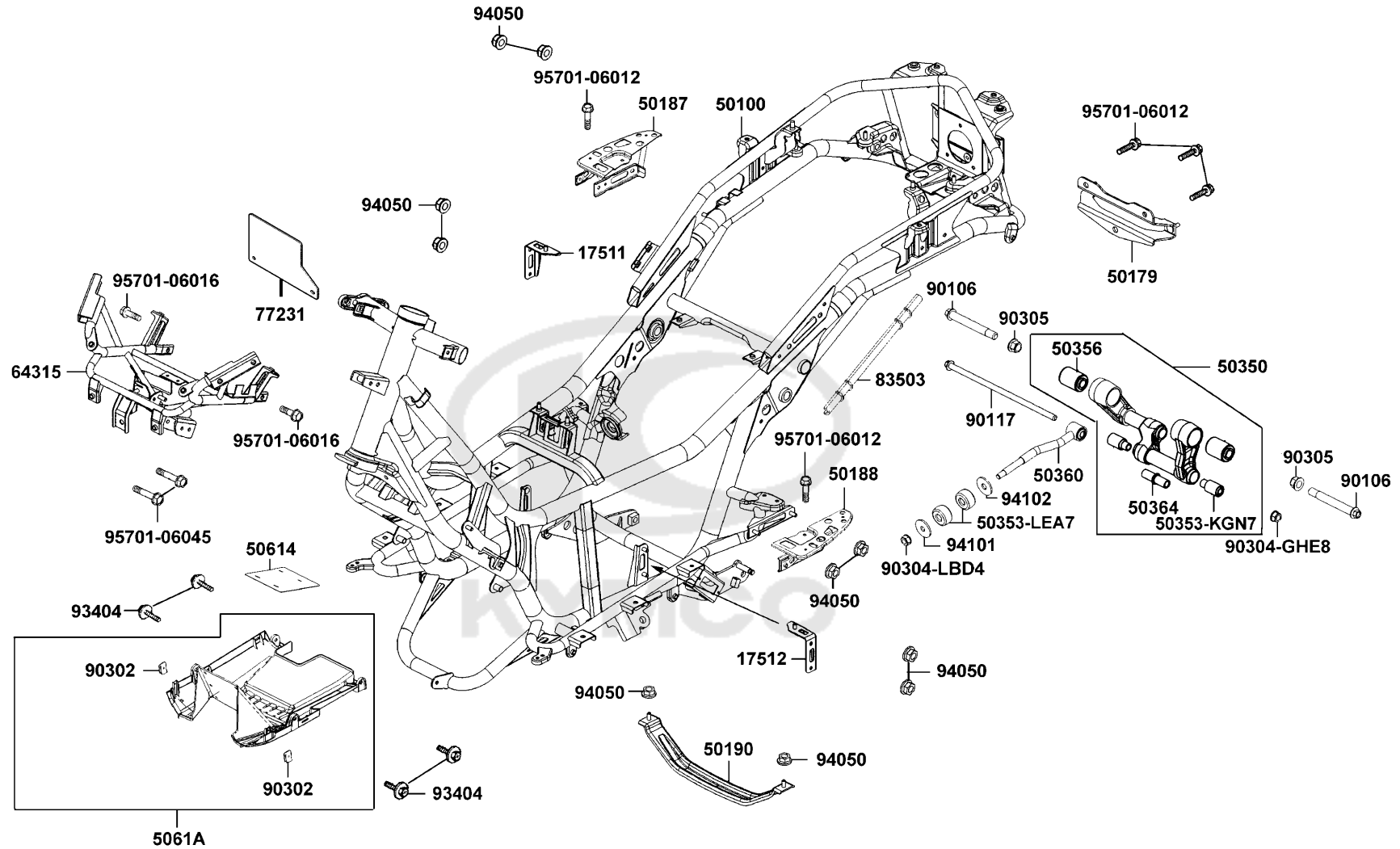


Sales mark	Ref no	Part no	Description	Reg description	Regd no	F18
	96001	96001-06012-06	BOLT FLANGE SH6*12	BOLT FLANGE SH6*12	1	
	98200-31000	98200-31000	BLADE FUSE 10A	BLADE FUSE 10A	2	
	98200-31500	98200-31500	BLADE FUSE 15A	BLADE FUSE 15A	2	
	98200-33000	98200-33000	BLADE FUSE 30A	BLADE FUSE 30A	1	



F19

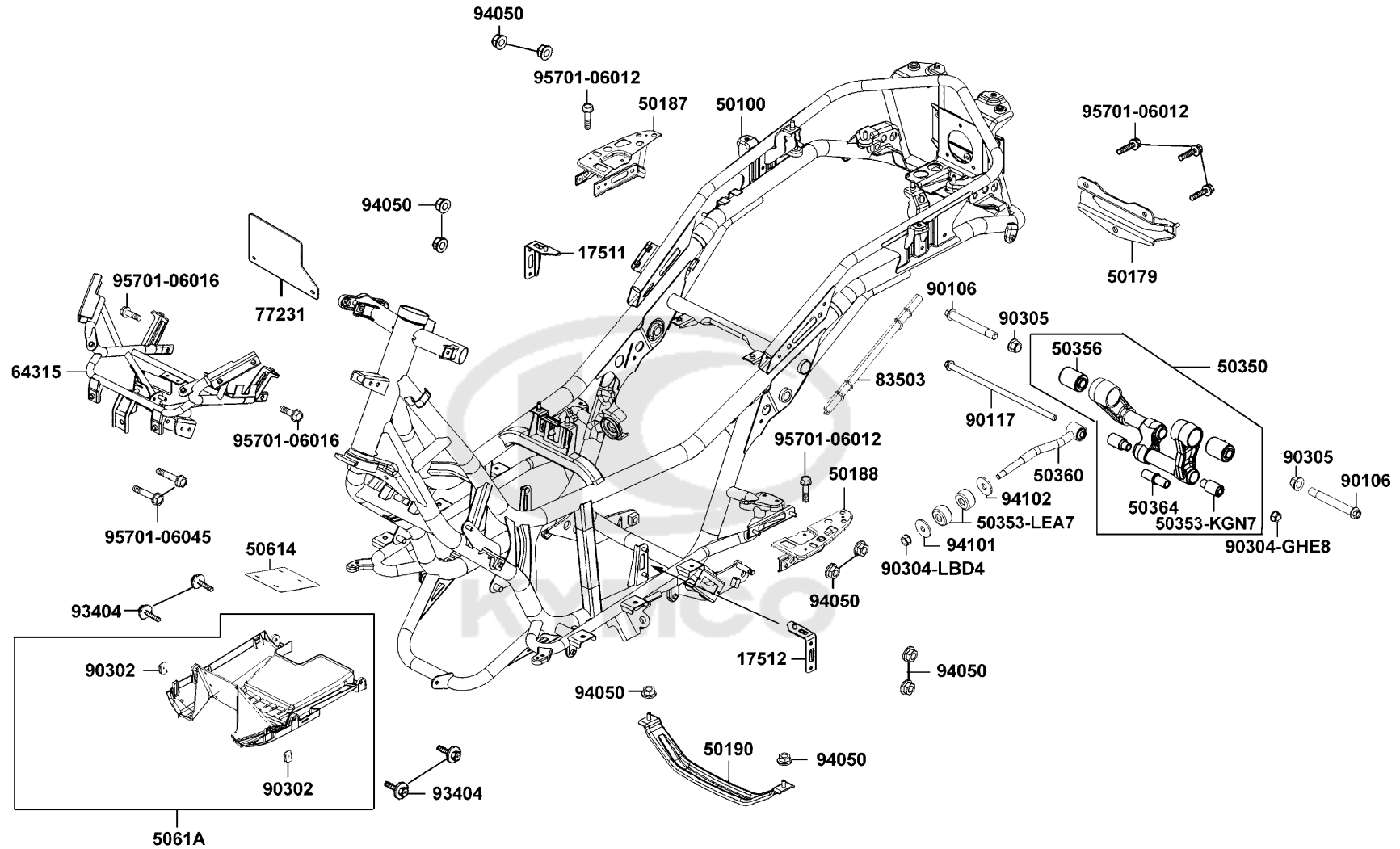
Frame Body



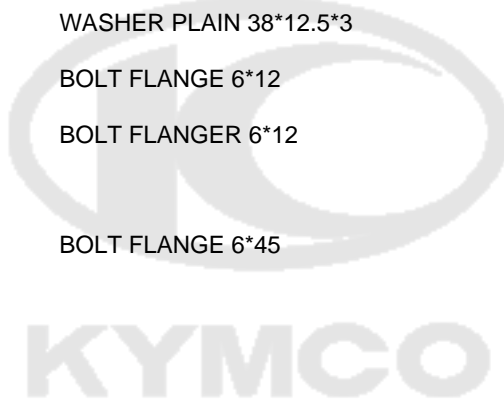
Sales mark	Ref no	Part no	Description	Reg description	Regd no	F19
	17511	17511-LEA7-E00	STAY R FUEL TANK	STAY R FUEL TANK	1	
	17512	17512-LEA7-E00	STAY L FUEL TANK	STAY L FUEL TANK	1	
	50100	50100-LFA7-E00	BODY COMP..FRAME	BODY COMP..FRAME	1	
	50179	50179-LEA7-E00	STAY RR FENDER UP	STAY RR FENDER UP	1	
	50187	50187-LEA7-E00	STAY R RR STEP	STAY R RR STEP	1	
	50188	50188-LEA7-E00	STAY L RR STEP	STAY L RR STEP	1	
	50190	50190-LEA7-E00	PROTECTOR UNDER COVER	PROTECTOR UNDER COVER	1	
	50350	50350-LFA7-E00	HANGER ASSY, ENG	HANGER ASSY, ENG	1	
	50353-KGN7	50353-KGN7-901	BUSH A ENG HANGER	BUSH A ENG HANGER	2	
	50353-LEA7	50353-LEA7-E00	RUBBER STOPPER	RUBBER STOPPER	2	
	50356	50356-LEA7-E01	RUB BUSH ENG HANGER	RUB BUSH ENG HANGER	2	
	50360	50360-LFA7-E00	TIE ROD ASSY, ENG HANGER	TIE ROD ASSY, ENG HANGER	1	
	50364	50364-KEBE-900	COLLAR B ENG HANGER	COLLAR B ENG HANGER	1	
	50614	50614-LFA7-E00	PLATE UNDER COVER	PLATE UNDER COVER	1	
**	5061A	5061A-LEA7-E00	UNDER COVER.ASSY.	UNDER COVER.ASSY.	1	
	64315	64315-LEA7-E02	BRKT FR COVER	BRKT FR COVER	1	
	77231	77231-LEA7-E00	STAY.SEAT CATCH	STAY.SEAT CATCH	1	
**	83503	83503-KHD6-900	COVER PROTECTOR SEAT WIRE	COVER PROTECTOR SEAT WIRE	1	
	90106	90106-LEA7-E00	BOLT FLANGE 15*118	BOLT FLANGE 15*118	2	
	90117	90117-KED9-900	BOLT FLANGE 10*265	BOLT FLANGE 10*265	1	

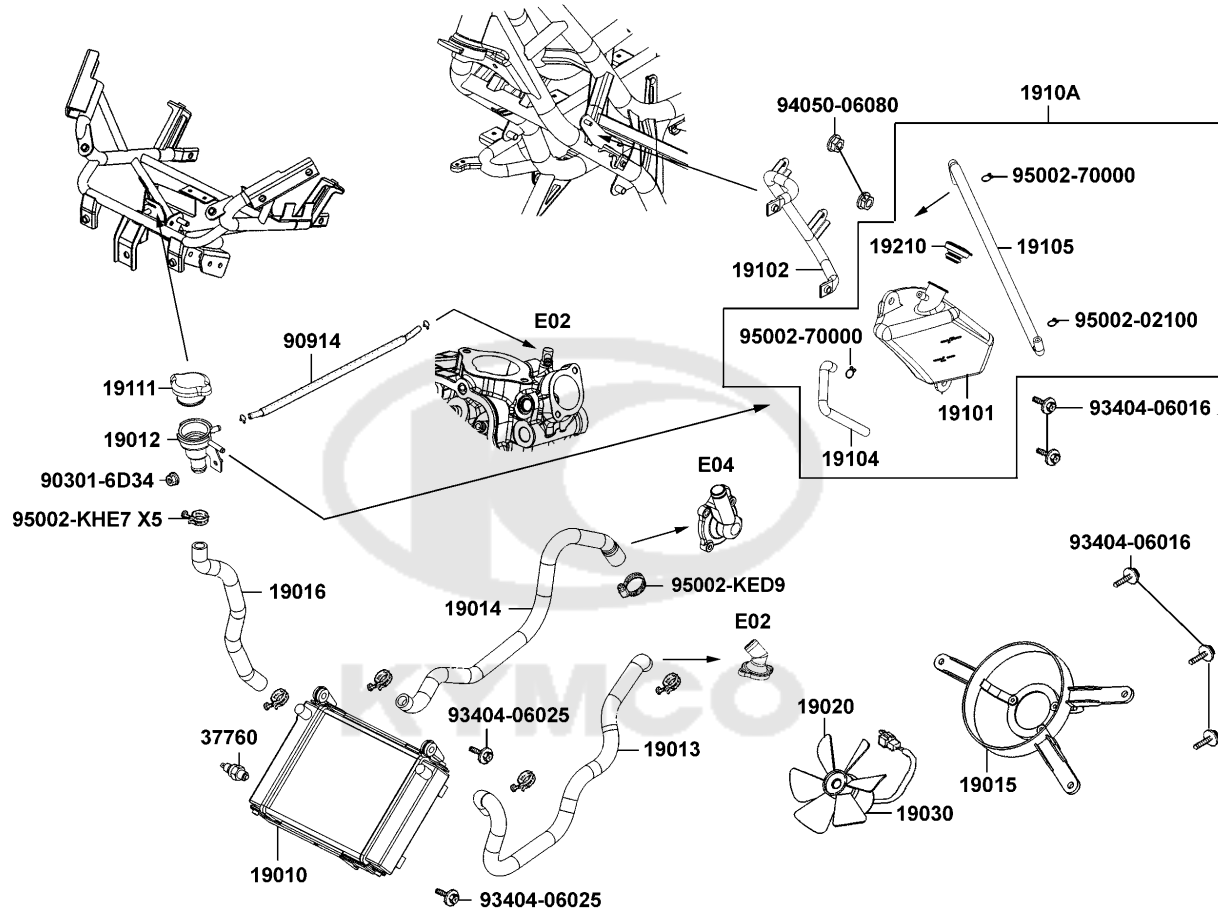
F19

Frame Body

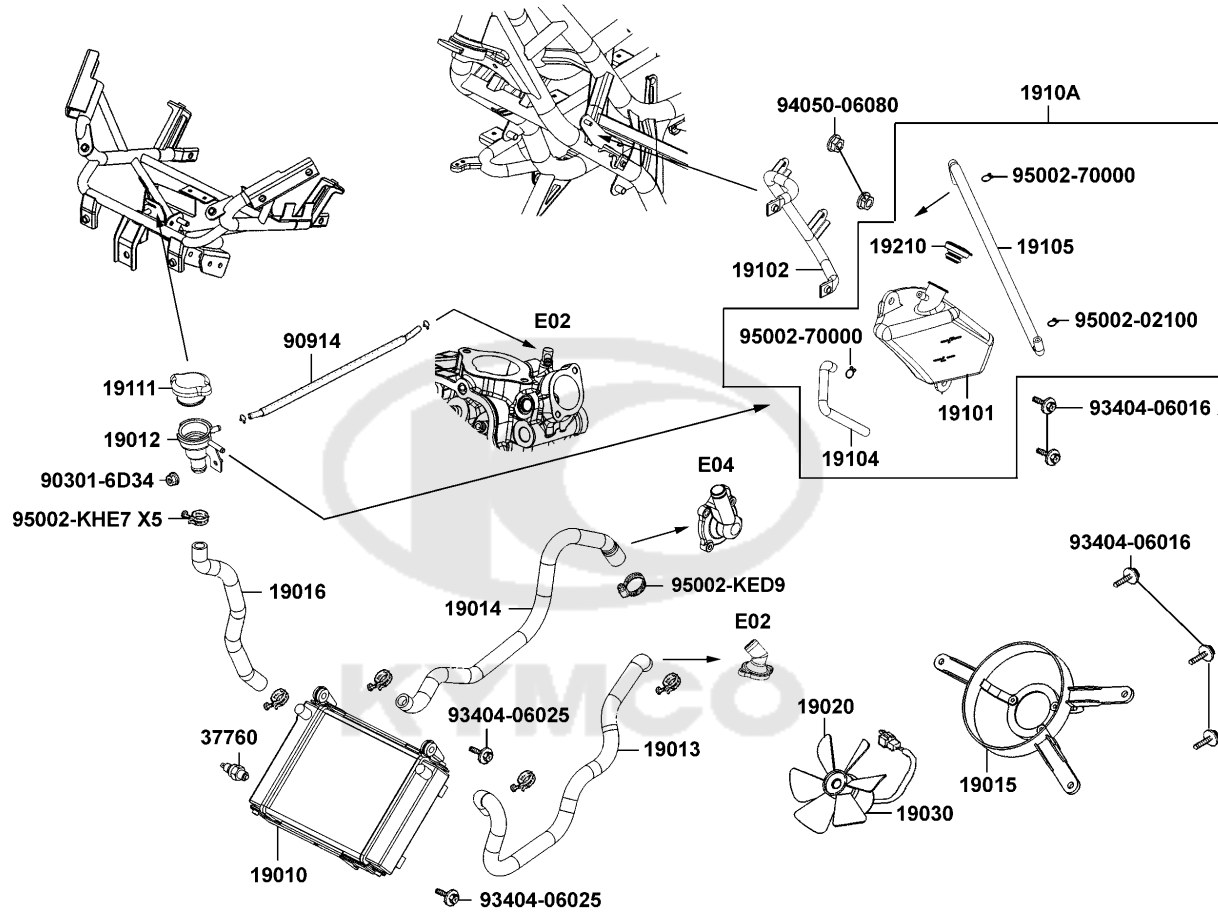


Sales mark	Ref no	Part no	Description	Reg description	Regd no	F19
90302		90302-SDA4-004	NUT SPRING 4MM	NUT SPRING 4MM	2	
90304-GHE8		90304-GHE8-004-SW	NUT U 10MM	NUT U 10MM	1	
90304-LBD4		90304-LBD4-900	NUT U FLANGE 10MM	NUT U FLANGE 10MM	1	
90305		90305-LBD4-900	NUT U 14MM	NUT U 14MM	2	
93404		93404-06016-08	BOLT WASHER 6*16	BOLT WASHER 6*16	4	
94050		94050-06080	NUT FLANGE 6MM	NUT FLANGE 6MM	10	
94101		94101-LBA2-E00	WASHER PLAIN 10.5*38*3.0	WASHER PLAIN 10.5*38*3.0	1	
94102		94102-LBA2-E00	WASHER PLAIN 38*12.5*3	WASHER PLAIN 38*12.5*3	1	
95701-06012		95701-06012-08	BOLT FLANGE 6*12	BOLT FLANGE 6*12	5	
95701-06016		95701-06016-08	BOLT FLANGER 6*12	BOLT FLANGER 6*12	2	
95701-06045		95701-06045-08	BOLT FLANGE 6*45	BOLT FLANGE 6*45	2	





Sales mark	Ref no	Part no	Description	Reg description	Regd no	F20
	19010	19010-LFA7-E00	RADIATOR COMP	RADIATOR COMP	1	
	19012	19012-KHD8-900	UNIT RADIATOR	UNIT RADIATOR	1	
	19013	19013-LFA7-E00	HOSE WATER INLET	HOSE WATER INLET	1	
	19014	19014-LFA7-E00	HOSE WATER OUTLET	HOSE WATER OUTLET	1	
	19015	19015-LEA5-E00	SHROUD COMP	SHROUD COMP	1	
	19016	19016-LEA7-E00	HOSE,WATER-UNIT CAP	HOSE,WATER-UNIT CAP	1	
	19020	19020-KED9-900	FAN COOLING	FAN COOLING	1	
	19030	19030-KHD8-900	MOTOR ASSY FAN	MOTOR ASSY FAN	1	
	19101	19101-LEA7-E00	TANK RESERVE	TANK RESERVE	1	
	19102	19102-LEA7-E00	STAY TANK REVERSE	STAY TANK REVERSE	1	
	19104	19104-LBA2-E00	HOSE ASSY DRAIN	HOSE ASSY DRAIN	1	
	19105	19105-LEA7-E00	HOSE ASSY RESERVE	HOSE ASSY RESERVE	1	
	1910A	1910A-LEA7-E00	TANK , RESERVE ASSY.	TANK , RESERVE ASSY.	1	
	19111	19111-GBE2-004	CAP COMP	CAP COMP	1	
	19210	19210-KKC4-900	CAP RESERVE TANK	CAP RESERVE TANK	1	
	37760	37760-KHD8-900	SW ASSY THERMO	SW ASSY THERMO	1	
	90301-6D34	90301-6D34-671	NUT FLANGE 6MM	NUT FLANGE 6MM	1	
	90914	90914-LFA7-E00	TUBE ASSY WATER	TUBE ASSY WATER	1	
	93404-06016	93404-06016-08	BOLT WASHER 6*16	BOLT WASHER 6*16	5	
	93404-06025	93404-06025-06	BOLT WASHER 6*25	BOLT WASHER 6*25	2	



Sales mark	Ref no	Part no	Description	Reg description	Regd no	F20
	94050-06080	94050-06080	NUT FLANGE 6MM	NUT FLANGE 6MM	2	
	95002-02100	95002-02100	CLIP B10 TUBE	CLIP B10 TUBE	1	
	95002-70000	95002-70000	CLIP C11 TUBE	CLIP C11 TUBE	2	
	95002-KED9	95002-KED9-900	CLIP HOSE	CLIP HOSE	1	
	95002-KHE7	95002-KHE7-900	CLIP WATER HOSE	CLIP WATER HOSE	5	



Sales mark	Ref no	Part no	Description	Reg description	Regd no	F21
**	87224	87224-LFA7-EY0	CAUTION ANTI TAMPERING	CAUTION ANTI TAMPERING	1	
**	87505-LEA7-E01	87505-LEA7-E01	LABEL TIRE	LABEL TIRE	1	
**	87508	87508-KKC4-E00	LABEL CLEANNESS CAUYION	LABEL CLEANNESS CAUYION	1	
**	87512-KEBE-E00	87512-KEBE-E00	CAUTION FILTER	CAUTION FILTER	1	
**	87541-GAR1-E00	87541-GAR1-E00	CAUTION SIDE STAND	CAUTION SIDE STAND	1	
**	87541-KKC2-E00	87541-KKC2-E00	CAUTION MOBILE PHONE	CAUTION MOBILE PHONE	1	
**	87542-GAR1-E00	87542-GAR1-E00	MARK MAINT CAUTION	MARK MAINT CAUTION	1	
**	87560-LEA7-E00	87560-LEA7-E00	MARK DRIVE CAUTION	MARK DRIVE CAUTION	1	

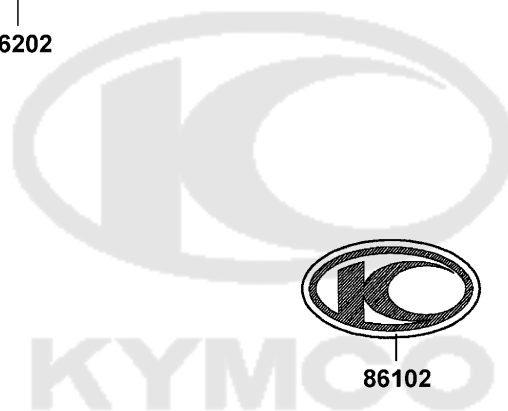




86202



87140

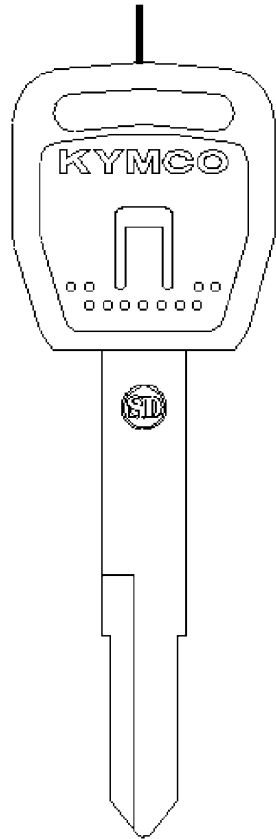


86102

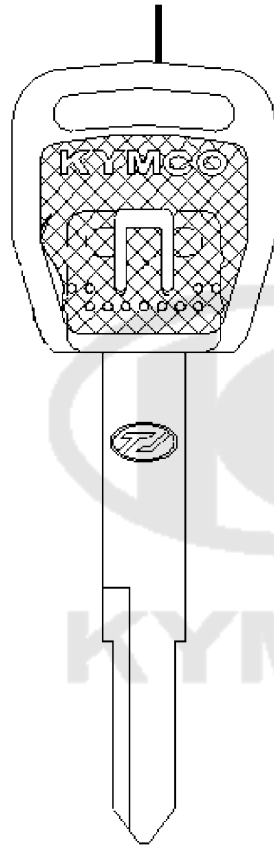
Sales mark	Ref no	Part no	Description	Reg description	Regd no	F22
**	86102	86102-LEA5-E00	EMB K-LOGO 30MM	EMB K-LOGO 30MM	1	
**	86102	86102-LEA5-E00	EMB K-LOGO 30MM	EMB K-LOGO 30MM	1	
**	86202	86202-LEA7-E01	EMB BODY COVER	EMB BODY COVER	2	
**	87140	87140-LFA7-E00	EMB MARK 125i	EMB MARK 125i	2	



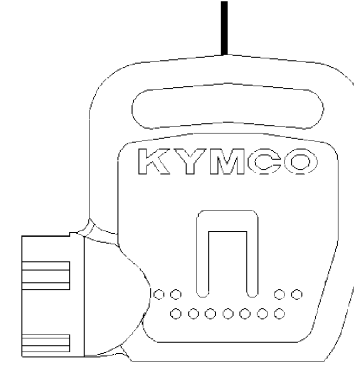
35111-LDC1-306-M1



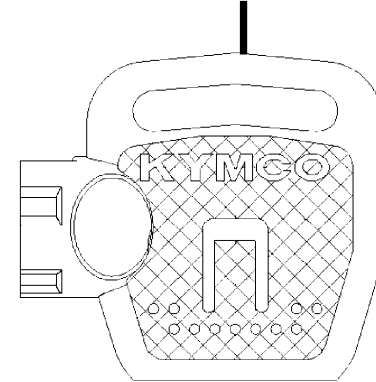
35111-LDC1-306-M2



35111-LDC1-307-M1



35111-LDC1-307-M2

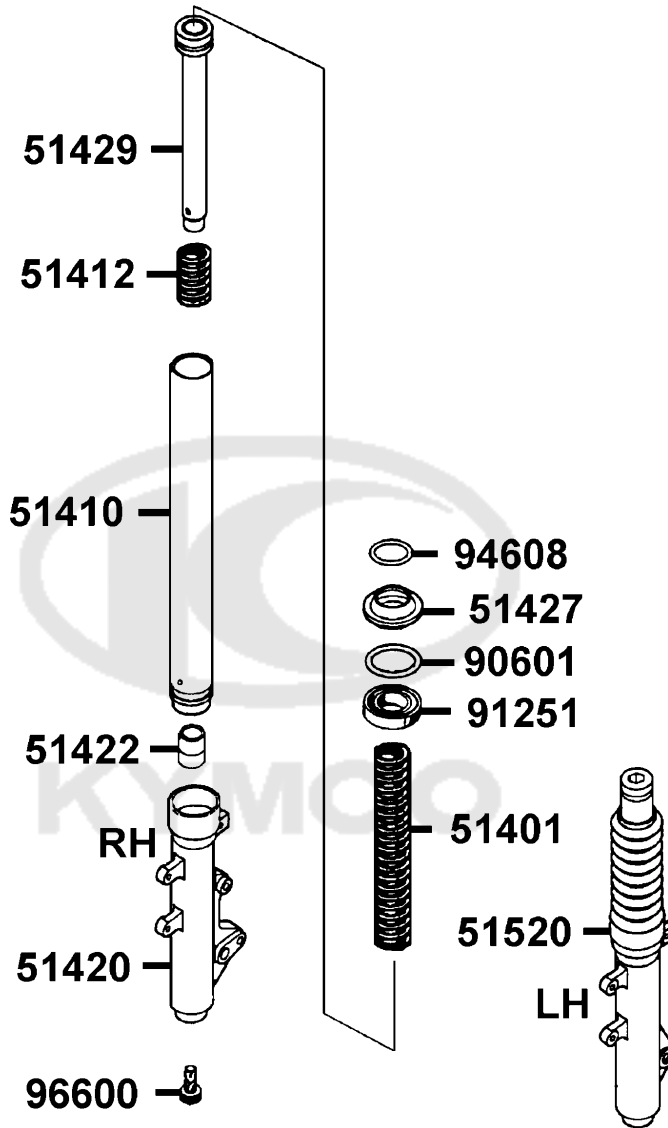


Sales mark	Ref no	Part no	Description	Reg description	Regd no	F23
	35111-LDC1-306-M1	35111-LDC1-306-M1	KEY COMP (L TANGENT PLANE/SD)	KEY COMP (L TANGENT PLANE/SD)	1	
	35111-LDC1-306-M2	35111-LDC1-306-M2	KEY COMP (L TANGENT PLANE/TJ)	KEY COMP (L TANGENT PLANE/TJ)	1	
	35111-LDC1-307-M1	35111-LDC1-307-M1	KEY COMP SHUTTER MAGNETIC (SD)	KEY COMP SHUTTER MAGNETIC (SD)	1	
	35111-LDC1-307-M2	35111-LDC1-307-M2	KEY COMP SHUTTER MAGNETIC (TJ)	KEY COMP SHUTTER MAGNETIC (TJ)	1	



F24

Separated Parts Of Fr Fork



Sales mark	Ref no	Part no	Description	Reg description	Regd no	F24
	51401	51401-LDH1-E00	SPRING	SPRING	2	
	51410	51410-LEA7-E00	FORK PIPE COMP	FORK PIPE COMP	2	
	51412	51412-LLJ3-E00	REBOUND SPRING	REBOUND SPRING	2	
**	51420	51420-LEA7-E00	BOTTOM CASE R	BOTTOM CASE R	1	
	51422	51422-KED9-900	OIL LOCK PIECE	OIL LOCK PIECE	2	
	51427	51427-LDH1-E00	DUST SEAL	DUST SEAL	2	
	51429	51429-LEA7-E00	PIPE SEAT COMP	PIPE SEAT COMP	2	
**	51520	51520-LEA7-E00	BOTTOM CASE L	BOTTOM CASE L	1	
	90601	90601-LLJ3-E00	OIL SEAL STOPPER RING	OIL SEAL STOPPER RING	2	
	91251	91251-LLJ3-E00	OIL SEAL	OIL SEAL	2	
	94608	94608-LLJ3-E00	O-RING	O-RING	2	
	96600	96600-LBA2-E00	BOCKET BOLT	BOCKET BOLT	2	

PART NO. INDEX

PART NO.	VERSION	PAGE	PART NO.	VERSION	PAGE	PART NO.	VERSION	PAGE
1000			11394-LFA7-E00	5	E04	14000		
			11395-LFA7-E00	3	E01			
1614-A22C-0000	0	F10	12000			14100-LFA7-E00	5	E02
3000			12100-LFA7-E00	6	E03	14110-LEB1-900	3	E02
			12191-LFA7-E00	1	E03	14321-LEB1-900	3	E02
3791-HN80-0000	0	F10	12200-LFA7-E00	9	E02	14401-LFA7-E00	5	E03
11000			12205-KHE8-301	4	E02	14420-LEB1-900	4	E02
			12209-LEA2-90A	2	E02	14430-LEB1-900	4	E02
			12251-LFA7-E00	2	E02	14433-LEB1-900	1	E02
11100-LFA7-305	0	E01	12310-LFA7-E00	6	E02	14434-LEB1-900	1	E02
11103-KHE7-900	0	E01	12361-GFY6-901	1	E04	14452-LFA7-E00	3	E02
11192-LFA7-E00	4	E01	12391-LFA7-E00	2	E02	14453-LFA7-E00	5	E02
11200-LFA7-305	0	E01				14510-LEB1-900	2	E03
11203-LBA2-E00	2	E01	13000			14520-LFA7-E00	1	E03
11203-LBA2-E00	2	F16				14523-KED9-900	1	E03
11212-LFA7-E00	1	F13	13000-LFA7-E00	14	E03	14531-GLR0-001	1	E03
1121A-LFA7-E00	1	F13	13011-LEB1-90A	2	E03	14610-LEB1-900	1	E03
1122A-LEB1-900	6	E01	13011-LEB1-90B	0	E03	14711-LFA7-E00	3	E02
11330-LFA7-E00	9	E04	13101-LFA7-E00	9	E03	14721-LFA7-E00	3	E02
11340-LFA7-E00	4	E01	13111-LFA7-E00	3	E03	14751-KHD6-900	1	E02
11342-LFA7-900	1	E01	13406-LFA7-E00	4	E02	14771-LEA2-900	2	E02
11342-LFA7-E00	1	E01				14777-LFA7-E00	2	E02
11345-LEA7-E00	1	E01				14781-KKE5-E00	2	E02
11346-GFY6-901	0	E01						

PART NO. INDEX

PART NO.	VERSION	PAGE	PART NO.	VERSION	PAGE	PART NO.	VERSION	PAGE	
15000			16122-KEC3-900	0	E08	17561-LKB9-900	1	F10	
			16133-KEC3-900	1	E08	17620-LEA7-315-M1	0	F10	
			16134-LFA7-E00	4	E08	17620-LEA7-315-M2	0	F10	
	15100-KEBE-900	0	E06	16138-KEC3-900	1	E08	17685-KZCZ-900	0	F05
	15133-KAM1-001	1	E06	16154-KKE3-900	4	E08	17685-LFA7-E00	4	F10
	15141-KKJ9-004	0	E06	16170-KEC3-900	0	E08	17910-LFA7-E00	5	F03
	1541A-LEA7-E00	6	E01	16195-KEC3-900	0	E08	17911-LFA7-E00	5	F03
	15421-1G07-001	1	E04	16201-LFE2-900	2	E02			
	15421-KKC3-900	1	E01	16211-LFE2-900	3	E02	18000		
	15422-KKC3-900	3	E01				18291-KEBE-900	0	F14
	15423-KKC3-900	1	E01	17000			18291-LBA7-900	2	F14
	15426-GAE1-921	0	E04				18292-KEBE-900	0	F14
	1565A-KUDU-900	0	E04	1711A-LFA7-E00	9	E02	18293-KEBE-900	0	F14
	15711-LFA7-E00	2	E06	17211-LFA7-E00	1	F13	18294-KEBE-900	0	F14
15772-5L00-013	1	F13	17213-LEA7-E00	2	F13	18307-LFA7-E00	0	F14	
16000			17214-LEA7-E00	2	F13	1830A-LFA7-E0D	1	F14	
			1723A-LFA7-E00	4	F13	18318-LFA7-E00	2	F14	
			1723B-LFA7-E00	1	F13				
	16056-LFA7-E00	5	E08	17359-4K19-671	0	F13	19000		
	16068-LFA7-E00	5	E08	1737A-KUDU-900	0	F13			
	16074-KEC3-900	4	E08	17500-LEA7-E00	4	F10	19010-LFA7-E00	0	F20
	16100-LFA7-E00	5	E08	17511-LEA7-E00	2	F19	19012-KHD8-900	4	F20
	16110-LFA7-E00	3	E08	17512-LEA7-E00	2	F19	19013-LFA7-E00	1	F20
	16112-KKE3-900	1	E08	17530-KGB5-900	1	F05	19014-LFA7-E00	1	F20
	16112-LEB2-900	1	E08	17550-LEA7-800	3	F10	19015-LEA5-E00	1	F20
	16118-KEC3-900	0	E08	17561-LGK8-900	1	F10			

PART NO. INDEX

PART NO.	VERSION	PAGE	PART NO.	VERSION	PAGE	PART NO.	VERSION	PAGE
19016-LEA7-E00	7	F20						
19020-KED9-900	1	F20	22000			23000		
19030-KHD8-900	2	F20						
19101-LEA7-E00	3	F20	22101-GFY6-941	3	E05	2301A-LFA7-E00	6	E05
19102-LEA7-E00	2	F20	22101-KEBE-900	1	E05	2301A-LFA7-E01	1	E05
19104-LBA2-E00	1	F20	22102-LEB1-900	2	E05	23100-LFA7-E0A	0	E05
19105-LEA7-E00	2	F20	22105-LFB5-900	1	E05	23200-LFE2-900	1	E05
1910A-LEA7-E00	2	F20	22110-LEB1-800	8	E05	23220-GFY6-921	1	E05
19111-GBE2-004	1	F20	22111-LEB1-800	6	E05	23225-GHC8-004	0	E05
19210-KKC4-900	0	F20	22112-GFY6-90A	0	E05	23226-GHC8-004	0	E05
19215-KHE7-900	0	E04	22121-GFY6-92A	2	E05	23233-LFA7-E00	3	E05
19217-6G57-024	0	E04	22130-LEB1-800	6	E05	23237-GFY6-941	0	E05
19221-LFA7-E00	2	E04	22300-LFA7-E00	2	E05	23238-LEB1-910	0	E05
19229-LFA7-E00	1	E04	22300-LHJ3-900	1	E05	23238-LKE7-900	1	E05
19231-LFA7-E00	2	E04	22350-KGN7-671	1	E05	23411-LFA7-E00	9	E07
19232-LBA2-E00	2	E04	22350-LHJ3-900	1	E05	23411-LFA7-E01	2	E07
19300-LFA7-E0A	1	E02	22361-KGN7-671	1	E05	23420-LFA7-E00	2	E07
19300-LFA7-E0B	2	E02	22361-LHJ3-900	1	E05	23431-LFA7-E00	6	E07
19315-LFA7-E00	5	E02	22401-GFY6-94A	0	E05	23432-LFA7-E00	3	E07
			22401-LHJ3-900	1	E05			
21000			22530-LHJ3-900	2	E05	28000		
			22530-LKE7-900	1	E05			
21301-LFA7-E00	2	E07	22804-GBB2-001	0	E05	28101-KKJ9-011	0	E06
21395-LFA7-E00	2	E07				28102-LFA7-E00	1	E06
						28103-LFA7-E00	2	E06
						28110-LFA7-E00	4	E06

PART NO. INDEX

PART NO.	VERSION	PAGE	PART NO.	VERSION	PAGE	PART NO.	VERSION	PAGE
28113-LFA7-E00	6	E06						
28120-KEBE-305	0	E06	32000			34000		
28125-4F26-001	0	E06						
28126-KUDU-900	1	E06	32100-LFA7-E01	6	F18	34901-KGB5-M30	0	F01
28211-LFA7-E00	5	E05	32101-LEA7-E00	1	E02	34903-KPCP-900	0	F17
30000			32410-LLB1-900	2	E06	34905-LCA5-E00	0	F17
			32411-LEA7-E00	3	F11	34905-LEA7-E00	0	F01
			32412-LEA7-E00	2	E04	34906-KPCP-900	0	F17
3051A-LFA7-E00	4	F18						
30700-LGM5-900	1	F18	33000			35000		
31000			33100-LEA7-E00	0	F01	35010-LEA7-324-M1	0	F18
			33110-LEA7-E00	2	F01	35010-LEA7-324-M2	0	F18
31110-LFA7-E0B	3	E06	33120-LEA7-E00	0	F01	35101-LEA7-314-M1	0	F18
31120-LFA7-E0B	4	E06	33130-LEA7-E00	0	F01	35101-LEA7-314-M2	0	F18
31210-LEB1-90A	4	E06	33150-LEA7-E00	0	F01	35102-KFB7-305-M1	0	F18
31210-LEB1-90B	3	E06	33180-LEA7-E00	0	F01	35102-KFB7-305-M2	0	F18
31210-LEB1-90C	3	E06	33700-LEA7-E00	2	F17	35102-LEB1-90A	0	F18
31340-LEA7-E00	3	F18	33701-LEA7-E00	0	F17	35102-LEB1-90B	0	F18
31500-LEA6-900	5	F11	33706-LEA7-E00	0	F17	35111-LDC1-306-M1	0	F23
31500-LEA6-90B	2	F11	33720-LBB5-E00	3	F17	35111-LDC1-306-M2	0	F23
31600-KED9-900	4	F18	33726-LBB5-E00	1	F17	35111-LDC1-307-M1	0	F23
31601-LEA7-E00	2	F18	33741-LEA7-E00	2	F17	35111-LDC1-307-M2	0	F23
31605-KKE5-E00	4	F18	33900-KKE5-E00	2	F12	35119-LEB1-90A	0	F18
						35119-LEB1-90B	0	F18
						3515A-LEA7-E00	0	F03

PART NO. INDEX

PART NO.	VERSION	PAGE	PART NO.	VERSION	PAGE	PART NO.	VERSION	PAGE
3520A-KEBE-900	2	F03				43105-LEA7-305	0	F08
35340-KNBN-901	0	F04	39000			43126-LEA7-E00	3	F04
35350-KNBN-901	0	F04				43156-LEA7-E00	2	F16
35370-LLJ3-E00	3	F15	39100-LEA7-E00	2	F18	43210-LEA7-E00	0	F08
35380-LDF2-900	2	F18	39300-LEB2-800	1	E02	43351-LEA7-E00	6	F08
35380-LEA2-900	1	F18	39301-LEB2-900	3	E02	43352-KKD6-E90	1	F08
35850-KHB4-90A	2	F18	39302-KKE3-900	2	E02	43353-4A61-77A	0	F08
			39303-LEB2-900	2	E02	43353-KED9-900	0	F07
37000			39306-LEB2-305	0	E02	4335A-LBA2-E01	2	F07
			39307-LEB2-305	0	E02	43530-LEA7-305	0	F04
37200-LFA7-E00	6	F02	39400-LDF2-800	2	E02			
37211-KKE5-E00	0	F02	39450-LEA6-800	3	F14	44000		
37213-KKE5-E00	0	F02						
37216-LEA7-E00	1	F03	42000			44301-LEA7-E00	3	F07
37720-KGB5-900	0	E02				44311-LEA7-E00	2	F07
37750-PAC1-005	0	E02	42311-LEA7-900	1	F08	44312-LEA7-E00	4	F07
37760-KHD8-900	0	F20	42312-LEA7-E00	1	F08	44600-LEA7-305	0	F07
			42601-LEA7-E00	7	F08	44620-LEA7-E00	3	F07
38000			42710-LEA7-E0A	3	F08	44710-LEA7-E0A	2	F07
			42710-LEA7-E0B	5	F08	44710-LEA7-E0B	5	F07
38110-KKC3-90B	2	F18	42753-KNBN-90B	1	F07			
38200-KHE7-900	0	F18	42753-KNBN-90B	1	F08	45000		
38300-LEA7-E00	2	F18						
38500-LGL3-90D	2	F18	43000			45105-LEA7-305	0	F07
						45107-KED9-900	0	F07
			43100-LEA7-E00	6	F08	45107-LEA7-E00	0	F07

PART NO. INDEX

PART NO.	VERSION	PAGE	PART NO.	VERSION	PAGE	PART NO.	VERSION	PAGE
45108-LDH1-E00	0	F08				5061A-LEA7-E00	4	F19
45108-LEA7-E00	0	F07	50000					
45109-GBE2-007	0	F08				51000		
45109-KED9-900	0	F07	50100-LFA7-E00	9	F19			
45126-LEA7-E00	4	F04	50179-LEA7-E00	2	F19	51400-LEA7-E00	6	F06
45128-LBA2-920	1	F06	50187-LEA7-E00	2	F19	51401-LDH1-E00	0	F24
45129-LBA2-900	1	F06	50188-LEA7-E00	2	F19	51410-LEA7-E00	0	F24
4512A-LEA7-E00	5	F07	50190-LEA7-E00	2	F19	51412-LLJ3-E00	0	F24
45130-KED9-900	0	F07	50306-1F96-001	0	F06	51420-LEA7-E00	0	F24
45131-LDH1-E00	0	F08	5032A-LEA5-E00	3	F11	51422-KED9-900	0	F24
45132-KED9-900	0	F07	5032A-LEA7-E00	2	F11	51427-LDH1-E00	0	F24
45134-KED9-900	0	F07	50350-LFA7-E00	0	F19	51429-LEA7-E00	0	F24
45135-KED9-900	0	F07	50353-KGN7-901	0	F19	51430-LEA7-E00	0	F08
45200-LEA7-E00	7	F07	50353-LEA7-E00	1	F19	51500-LEA7-E00	6	F06
45209-GBE2-007	0	F08	50356-LEA7-E01	1	F19	51520-LEA7-E00	0	F24
45210-LEA7-E00	0	F07	50360-LFA7-E00	1	F19			
45352-LEA7-E00	4	F07	50364-KEBE-900	1	F19	52000		
45513-LEA7-E00	1	F04	50500-LFA7-E00	4	F15			
45517-LBA2-E00	2	F04	50502-LDF7-E10	0	F15	52000-LFA7-E00	5	F16
45520-KKA8-900	0	F04	50504-LFA7-E00	3	E01	52400-LFA7-E00	3	F16
45530-LBA2-308	0	F04	50505-KXCX-900	0	F15			
45531-GAR1-951	0	F08	50505-LEA7-E00	1	F15	53000		
45531-KED9-900	0	F07	50506-KHE7-E00	0	F15			
			50530-LEA7-E00	5	F15	53100-LEA7-E00	9	F03
			50550-KKC2-E00	0	F15	53105-LEA7-E00	4	F03
			50614-LFA7-E00	1	F19	53106-LEA7-E00	4	F03

PART NO. INDEX

PART NO.	VERSION	PAGE	PART NO.	VERSION	PAGE	PART NO.	VERSION	PAGE
53125-LEA7-E00	2	F03				64330-LEA7-E00	5	F05
53140-LEA7-E00	4	F03	64000			64340-LEA7-E00	3	F05
53150-LEA6-900	4	F03				64350-LEA7-E00	5	F05
53175-KKE5-E00	0	F04	64206-MLJ0-001	1	F12	64360-LEA7-E00	3	F05
53178-KKE5-E00	0	F04	64220-LEA7-E00	6	F03	64400-LEA7-E00	6	F05
53200-LEA7-E00	4	F06	64221-LEA7-E00	2	F03	64401-LEA7-E00	4	F05
53203-LEA7-E00	5	F03	64222-LEA7-E00	2	F03	64500-LEA7-E00	4	F05
53204-LEA7-E00	9	F03	64222-LLJ3-E00	1	F06			
53205-LEA7-E00	5	F03	64223-LEA7-E00	5	F03	77000		
53206-LEA7-E00	4	F03	64224-LEA7-E00	1	F03			
53207-LEA7-E00	2	F03	64225-LEA7-E00	2	F03	77200-LEA7-305	0	F09
53213-LBA2-E00	2	F06	64226-LEA7-E00	2	F03	77206-KEB7-900	0	F09
53214-LBA2-E00	2	F06	64301-LEA7-E00	2	F05	77231-LEA7-E00	2	F19
53214-LEA7-E00	3	F06	64303-LEA7-E00	3	F05	77235-LEA7-E0A	5	F18
53220-LBA2-E00	2	F06	64304-LEA7-E00	3	F05	77235-LEA7-E0B	6	F18
53240-LBA2-E00	2	F06	64305-LEA7-E00	3	F05	77235-LEA7-E1A	6	F18
53250-LBA2-E00	2	F06	64306-LEA7-E00	3	F05	77235-LEA7-E1B	6	F18
			64307-LEA7-E00	4	F05	77240-LEA7-E00	7	F18
61000			64310-LEA7-E00	5	F05	77300-LEA7-E00	1	F09
			64311-LEA7-E00	3	F05	77303-LEA7-E00	1	F09
61100-LEA7-E00	4	F06	64312-LEA7-E00	6	F05	77500-LEA7-E00	2	F09
61101-LEA7-E00	3	F05	64313-LEA7-E00	6	F05	77501-LEA7-E00	0	F09
61102-LEA7-E00	1	F06	64315-LEA7-E02	1	F19			
61103-LEA7-E00	1	F06	64317-LEA7-E00	3	F05	80000		
			64318-LEA7-E00	2	F05			
			64320-LEA7-E00	3	F05	80100-LEA7-E00	6	F17

PART NO. INDEX

PART NO.	VERSION	PAGE	PART NO.	VERSION	PAGE	PART NO.	VERSION	PAGE
80101-LEA7-E00	4	F17	81252-KKE5-E00	2	F12			
80102-LEA7-E00	4	F17	81252-LEA7-E00	1	F12	87000		
80103-LEA7-E00	2	F17	81260-LEA7-E00	4	F12			
80104-LBA2-E00	1	F12				87140-LFA7-E00	4	F22
80104-LFA7-E00	1	F17	83000			87224-LFA7-EY0	1	F21
80105-LEA7-E00	4	F17				87505-LEA7-E01	1	F21
80106-LEA7-E00	3	F17	83500-LEA7-E00	3	F12	87508-KKC4-E00	1	F21
80107-LEA7-E00	3	F17	83503-KHD6-900	2	F19	87512-KEBE-E00	0	F21
80114-KGG7-001	0	F06	83520-LEA7-E00	4	F05	87541-GAR1-E00	1	F21
80151-LEA7-E00	4	F05	83550-KEC8-900	0	F05	87541-KKC2-E00	1	F21
80152-LEA7-E00	7	F05	83550-KEC8-900	0	F06	87542-GAR1-E00	2	F21
80153-LEA7-E00	3	F05	83550-KEC8-900	0	F17	87560-LEA7-E00	1	F21
			83551-KEC8-900	0	F05			
81000			83551-KEC8-900	0	F06	88000		
			83551-KEC8-900	0	F17			
81131-LEA7-E00	8	F05	83551-LEA7-E00	1	F05	88110-LEA7-E00	3	F03
81132-LEA7-E00	8	F05	83600-LEA7-E00	3	F12	88115-LBA2-E02	1	F03
81134-LEA7-E00	6	F05	83620-LEA7-E00	4	F05	88120-LEA7-E00	3	F03
81136-LEA7-E00	2	F05	83750-LEA7-E00	2	F12	88130-KEBE-900	1	F03
8113A-LEA7-E00	9	F05	83751-LEA7-E00	2	F12			
81141-LEA7-E00	3	F05	8376A-KEBE-900	4	F05	89000		
81150-LEA7-E00	6	F05						
81200-LEA7-E00	6	F12	86000			89010-LEA7-E00	3	F09
81210-LEA7-E00	2	F12				89020-KKC4-900	1	F09
81220-LEA7-E00	2	F12	86102-LEA5-E00	1	F22			
81251-LEA7-E00	1	F12	86202-LEA7-E01	3	F22			

PART NO. INDEX

PART NO.	VERSION	PAGE	PART NO.	VERSION	PAGE	PART NO.	VERSION	PAGE	
90000			90113-KKA8-900	0	F04	90304-GHE8-004-SW	0	F03	
			90114-GDM4-011	2	F13	90304-GHE8-004-SW	0	F19	
			90117-KED9-900	1	F19	90304-LBD4-900	2	F19	
	90001-GBHB-661	2	E03	90122-LEA7-E00	1	F07	90305-KKAK-900	0	F08
	90001-GFY6-901	4	E02	90122-LEA7-E00	1	F08	90305-LBA2-E00	1	F05
	90005-KEC8-900	3	E03	90145-MKS9-61A	1	F04	90305-LBA2-E00	1	F06
	9000A-KTDT-900	1	E01	90201-KHR8-75A	1	E06	90305-LBD4-900	1	F19
	9000B-KHD6-900	2	E02	90202-1G87-001	0	E05	90312-LLJ3-E01	0	F06
	90012-3C33-001	1	E02	90206-0A01-001	2	E02	90401-KKJ9-001	0	E06
	90031-KHD6-900	2	E01	90215-KKC4-900	1	F09	90423-KKJ9-001	0	E04
	90032-KHD6-900	2	E01	90215-KKC4-900	1	F12	90428-9H58-001	0	E04
	90033-GFY6-900	0	E02	90301-6D34-671	1	F01	90465-MDC4-001	0	E02
	90084-KKF9-901	0	E04	90301-6D34-671	1	F10	90474-3C33-001	1	E01
	9008A-KBE2-900	0	E04	90301-6D34-671	1	F17	90478-7L00-001	0	E04
	90104-LEA7-E00	3	F03	90301-6D34-671	1	F20	90503-LEA7-E00	2	F06
	90105-KCR3-001	1	F08	90301-GFY6-901	2	F14	9052A-LEB1-900	1	E01
	90105-KFC2-900	0	F12	90302-GFY6-940	1	F11	90545-3L00-001	2	F04
	90105-LEA7-E00	1	F07	90302-GFY6-940	1	F18	90601-GFY6-901	0	E05
	90106-GEN5-901	0	F03	90302-LLB1-E00	2	F03	90601-LLJ3-E00	0	F24
	90106-KFA6-900	0	F12	90302-LLB1-E00	2	F16	90605-1F66-721	0	E05
90106-LEA7-E00	1	F19	90302-PWA5-900	1	F17	90651-LFB5-900	0	F13	
90107-LEA7-E00	3	F03	90302-SDA4-004	2	F03	90652-LCA4-E00	1	F05	
90107-LEA7-E00	3	F06	90302-SDA4-004	2	F05	90652-LCA4-E00	1	F17	
90108-KKC4-900	1	F15	90302-SDA4-004	2	F12	90652-LEC8-E00	1	F05	
90110-KHD8-900	0	F14	90302-SDA4-004	2	F17	90652-LGJ9-900	2	E02	
90112-KNBN-901	1	F11	90302-SDA4-004	2	F19	90652-LGL7-E00	1	F18	

PART NO. INDEX

PART NO.	VERSION	PAGE	PART NO.	VERSION	PAGE	PART NO.	VERSION	PAGE
90656-KCBC-900	0	F18	91303-3G77-001	0	E04	93500-05016-1B	0	F03
90677-GAR1-004	1	F11	91303-KKE5-E00	2	E01	93500-05025-1B	0	F03
90701-HFB6-011	1	E03	91306-1E05-691	0	E03	93500-05032-1B	0	F03
90754-LLJ3-E00	1	F07	91307-0E35-001	0	E04	93500-05045-1B	0	F03
90914-LFA7-E00	1	F20	91351-6B42-000	0	E05	93500-KHC4-90A	0	F18
			91507-LEA7-E00	1	F18	93600-04012-1G	0	F04
91000			92000			93892-04010-08	0	E08
91002-GGA7-70A	0	E05				93892-05010-08	0	E08
91004-KHE7-900	1	E05	92000-05016-0H	0	E02	93893-04012-18	0	F04
91009-KHE7-900	0	E01	92000-LEA6-900	1	E06	93894-04022-08	1	F18
91101-1K79-711	1	E06	92101-06014-0H	1	E02	93903-25460	0	F13
91104-GFY6-90C-B	0	E06	92900-06060-0B	0	E02	93903-34360	0	F03
91104-GFY6-90C-R	0	E06				93903-34360	0	F05
91202-KGB4-C00	1	E04	93000			93903-34360	0	F17
91202-LEB1-900	2	E01				93903-34760	0	F05
91202-LFE2-90A	3	E07	93401-04025-08	0	F18	93903-35260	0	F03
91211-KEBE-900	0	E05	93404-06016-06	0	F03	93903-35320	0	F01
91251-LLJ3-E00	0	F24	93404-06016-06	0	F05	93903-35320	0	F02
91255-KHE7-900	0	E01	93404-06016-06	0	F12	93903-35360	0	E01
91255-LEA7-E00	1	F16	93404-06016-06	0	F15	93903-35360	0	F06
91255-LLB1-900	1	F16	93404-06016-06	0	F17	93903-35360	0	F17
91301-GLR0-005	1	E03	93404-06016-08	0	F19	93903-GFY6-900	1	F03
91301-LEB1-900	1	E02	93404-06016-08	0	F20	93903-GFY6-900	1	F05
91302-0A01-021	0	E04	93404-06025-06	0	F20	93903-GFY6-900	1	F12
91302-5G67-004	0	E04	93500-05016-0H	0	E06	93903-GFY6-900	1	F17
						93903-KEB7-900-06	1	F03

PART NO. INDEX

PART NO.	VERSION	PAGE	PART NO.	VERSION	PAGE	PART NO.	VERSION	PAGE
93903-KEB7-900-06	1	F05	94301-KKE5-E00	2	E01	95701-06012-08	0	F19
94000			94510-10000	0	E06	95701-06016-06	1	F17
			94510-14000	0	E04	95701-06016-08	0	F19
			94510-25000	0	E07	95701-06018-08	1	E01
			94520-28000	0	E05	95701-06025-08	0	E01
94050-05080	0	F17	94520-47000	0	F16	95701-06025-08	0	F14
94050-06060	0	F04	94591-KFBF-900	2	E02	95701-06045-06	0	F06
94050-06080	0	E02	94591-KFBF-900	2	E04	95701-06045-08	0	F19
94050-06080	0	E08	94591-LEE8-E00	1	E01	95701-08012-08	0	E01
94050-06080	0	F09	94601-14000	0	E03	95701-08012-08	0	F18
94050-06080	0	F18	94608-LLJ3-E00	0	F24	95701-LDF2-800	2	F10
94050-06080	0	F19	95000			95701-LEA5-E00	1	F18
94050-06080	0	F20						
94050-08080	0	E02				95801-08040-08	0	F06
94050-12080	0	E05				95801-10030-06	0	F15
94101-08800	0	F15	95002-02080	0	F05	95801-10040-02	0	F16
94101-KKE3-900	1	E08	95002-02100	0	F13	95801-10045-06	2	F14
94101-LBA2-E00	1	F19	95002-02100	0	F20	95801-10075-06	0	F16
94102-LBA2-E00	1	F19	95002-02120	1	F13	96000		
94111-06800	0	E02	95002-02150	0	F13			
94111-06800	0	E08	95002-50000	0	E01			
94251-08400	0	F15	95002-70000	0	F20		96001-06010-00	0
94301-08140	0	E01	95002-KED9-900	2	F20	96001-06012-06	0	F06
94301-08140	0	E04	95002-KHE7-900	0	F20	96001-06012-06	0	F18
94301-10160	0	E01	95014-72204	0	F15	96001-06012-08	0	E06
94301-10160	0	E02	95701-06008-06	1	F06	96001-06014-08	0	E02
94301-10160	0	E03	95701-06012-06	1	F06	96001-06016-08	0	E01

PART NO. INDEX

PART NO.	VERSION	PAGE	PART NO.	VERSION	PAGE	PART NO.	VERSION	PAGE
96001-06018-08	0	E06						
96001-06022-08	0	E04	98000					
96001-06025-08	0	E01						
96001-06028-06	0	F04	98059-57916-00	2	E02			
96001-06028-08	0	E04	98200-31000	1	F11			
96001-06028-08	0	E06	98200-31000	1	F18			
96001-06030-08	0	E04	98200-31500	0	F11			
96001-06032-08	0	E01	98200-31500	0	F18			
96001-06035-06	0	E04	98200-33000	0	F11			
96001-06050-08	0	E01	98200-33000	0	F18			
96001-06085-08	0	E01						
96001-06100-08	0	E02						
96001-06120-08	0	E04						
96001-GFY6-900	1	F13						
96001-LAB4-900	1	E02						
96100-60020-00	0	E01						
96100-62020-00	0	E07						
96100-62030-00	0	E01						
96100-63030-00	0	E07						
96100-LFE2-900	1	E07						
96150-60020-10	0	F07						
96150-62040-10	0	F16						
96220-60100	0	E06						
96600-08015-10	1	E06						
96600-LBA2-E00	0	F24						
96700-KED9-900	2	F06						