

# PARTS CATALOGUE



## SCOOTERS

KE10BB(GR)

Agility 50/2T(2010)



Release Date : 2013/05/10  
Print Date : 2013/07/23

## ABOUT THIS PARTS LIST

- This parts list is compiled all service parts for model KE10BB(GR).
- Any difference between color chart and motorcycle will be revised according to motorcycle.
- The Mark:
  1. Marking "\*\*\*" must add color code in the end before ordering parts.
  2. Marking "#" are parts with modification, Please find the details from e-Parts system.
- When modification or additions to this parts list are made a revised edition at an appropriate time.



# CONTENTS

● ABOUT THIS PARTS LIST .....	1
● COLOR CHART OF KE10BB(GR) .....	3
● CONTENTS-ENGINE GROUP .....	12
● CONTENTS-FRAME GROUP .....	14
● ENGINE PARTS LIST .....	17
● FRAME PARTS LIST .....	45
● PART NO. INDEX .....	99

NO	MODEL			COLOR CHART OF KE10BB(GR)			
	PHOTO NO			NO. 1	NO. 2	NO. 3	NO. 4
	BASIC COLOR			Orange		Black	
	CODE			Orange		Black	
	PARTS NAME	PARTS NO.	VERSION	MR068PA	NH001SAB	NH001SAB	NH001SAA
1	FENDER FR	61100-LGB5-E10	1	41P	N1P		
2	COVERT FRONT	64301-LGB5-E10	1				
3	COVER R BODY	83500-LGB5-E10	1				
4	COVER L BODY	83600-LGB5-E10	0				
5	LEVER R STRG HNDL	53175-LDC8-E10	1	M3A			
6	BRKT ASSY HNDL LH	5317B-LHM9-E60	0				
7	CARRIER RR	81200-LGB5-E10	0	N1A			
8	COVERBATTERY	50326-LGB5-E10	0	N1R			
9	COVER UNDER	50613-LGB5-E10	1				
10	GRIP COMP THROT	53140-KNBN-C00	1				
11	GRIP L HANDLE	53166-KNBN-C00	1				
12	MOLDING FRONT	64302-LGB5-E10	3				
13	GRILL FRONT	64303-LGB5-E10	0				
14	FLOOR PANEL	64310-LGB5-E10	1				
15	PLUG FLOOR	64316-LCB9-C10	4				
16	FENDER RR TIRE	80100-LHM9-E10	0				
17	FENDER RR INNER	80101-LGB6-E10	0				
18	FENDER REAR	80105-LGB5-E10	0				
19	COVER CENTER	80151-LGB5-E10	0				
20	CAP LEG SHIELD	81132-LHM9-E60	0				
21	BOX ASSY LUGGAGE	81250-LHM9-E10	0				
22	COVER L BOX	81256-LGB6-E10	0				
23	GRILL R SIDE	83510-LGB5-E10	0				
24	COVER L SIDE	83610-LGB5-E10	0				
25	PROTECTOR MUFFLER	18318-LGR4-E10	0	N1S			
DATE OF STARTING-SALES							
DATE OF END-SALES							

NO	MODEL			COLOR CHART OF KE10BB(GR)			
	PHOTO NO			NO. 5	NO. 6	NO. 7	NO. 8
	BASIC COLOR			Black	Pearly White		Pearly White
	CODE			Black	Pearly White		Pearly White
	PARTS NAME	PARTS NO.	VERSION	NH001SAA	NH193PAA	NH193PAA	NH193PAB
1	FENDER FR	61100-LGB5-E10	1	N1P	NVP		
2	COVERT FRONT	64301-LGB5-E10	1				
3	COVER R BODY	83500-LGB5-E10	1				
4	COVER L BODY	83600-LGB5-E10	0				
5	LEVER R STRG HNDL	53175-LDC8-E10	1	M3A			
6	BRKT ASSY HNDL LH	5317B-LHM9-E60	0				
7	CARRIER RR	81200-LGB5-E10	0	N1A			
8	COVERBATTERY	50326-LGB5-E10	0	N1R			
9	COVER UNDER	50613-LGB5-E10	1				
10	GRIP COMP THROT	53140-KNBN-C00	1				
11	GRIP L HANDLE	53166-KNBN-C00	1				
12	MOLDING FRONT	64302-LGB5-E10	3				
13	GRILL FRONT	64303-LGB5-E10	0				
14	FLOOR PANEL	64310-LGB5-E10	1				
15	PLUG FLOOR	64316-LCB9-C10	4				
16	FENDER RR TIRE	80100-LHM9-E10	0				
17	FENDER RR INNER	80101-LGB6-E10	0				
18	FENDER REAR	80105-LGB5-E10	0				
19	COVER CENTER	80151-LGB5-E10	0				
20	CAP LEG SHIELD	81132-LHM9-E60	0				
21	BOX ASSY LUGGAGE	81250-LHM9-E10	0				
22	COVER L BOX	81256-LGB6-E10	0				
23	GRILL R SIDE	83510-LGB5-E10	0				
24	COVER L SIDE	83610-LGB5-E10	0				
25	PROTECTOR MUFFLER	18318-LGR4-E10	0	N1S			
DATE OF STARTING-SALES							
DATE OF END-SALES							

NO	MODEL			COLOR CHART OF KE10BB(GR)			
	PHOTO NO			NO. 9	NO. 10	NO. 11	
	BASIC COLOR				Bright Red		
	CODE				Bright Red		
	PARTS NAME	PARTS NO.	VERSION	NH193PAB	RR136PA	RR136PA	
1	FENDER FR	61100-LGB5-E10	1	NVP	R9P		
2	COVERT FRONT	64301-LGB5-E10	1				
3	COVER R BODY	83500-LGB5-E10	1				
4	COVER L BODY	83600-LGB5-E10	0				
5	LEVER R STRG HNDL	53175-LDC8-E10	1	M3A			
6	BRKT ASSY HNDL LH	5317B-LHM9-E60	0	N1A			
7	CARRIER RR	81200-LGB5-E10	0				
8	COVERBATTERY	50326-LGB5-E10	0				
9	COVER UNDER	50613-LGB5-E10	1				
10	GRIP COMP THROT	53140-KNBN-C00	1				
11	GRIP L HANDLE	53166-KNBN-C00	1				
12	MOLDING FRONT	64302-LGB5-E10	3				
13	GRILL FRONT	64303-LGB5-E10	0				
14	FLOOR PANEL	64310-LGB5-E10	1				
15	PLUG FLOOR	64316-LCB9-C10	4				
16	FENDER RR TIRE	80100-LHM9-E10	0	N1R			
17	FENDER RR INNER	80101-LGB6-E10	0				
18	FENDER REAR	80105-LGB5-E10	0				
19	COVER CENTER	80151-LGB5-E10	0				
20	CAP LEG SHIELD	81132-LHM9-E60	0				
21	BOX ASSY LUGGAGE	81250-LHM9-E10	0				
22	COVER L BOX	81256-LGB6-E10	0				
23	GRILL R SIDE	83510-LGB5-E10	0				
24	COVER L SIDE	83610-LGB5-E10	0				
25	PROTECTOR MUFFLER	18318-LGR4-E10	0	N1S			
DATE OF STARTING-SALES							
DATE OF END-SALES							

NO	MODEL			COLOR CHART OF KE10BB(GR)			
	PHOTO NO			NO. 1	NO. 2	NO. 3	NO. 4
	BASIC COLOR			Orange		Black	
	CODE			Orange		Black	
	PARTS NAME	PARTS NO.	VERSION	MR068PA	NH001SAB	NH001SAB	NH001SAA
26	COVER L SIDE	11341-KKD6-C00	0	NEA			
27	WHEEL ASSY RR	42600-LGB5-E11	0				
28	WHEEL CAST RR	42601-LGB5-E10	0				
29	WHEEL ASSY FR	44600-LGB5-E81	0				
30	WHEEL COMP FR CAST	44601-LGB5-E10	0				
31	MIRROR ASSY R BACK	88110-LEB5-C11	0	NEP			
32	MIRROR ASSY L BACK	88120-LEB5-C11	0				
33	FORK ASSY FR R	51400-LGB5-E10	0	NGS			
34	BOTTOM CASE R	51420-LDF7-E10	0				
35	FORK ASSY FR L	51500-LGB5-E10	0				
36	BOTTOM CASE L	51520-LDF7-E10	1				
37	CALIPER ASSY L FR	45200-LGB5-E10	0				
38	CUSHION ASSY REAR	52400-LHM9-E10	0	R8A			
39	EMB K-LOGO'28mm	86102-LEA5-E00	1	R8S			
40	CAUTION ANTI	87224-LHM9-EZ0	0	T01			
41	LABEL TIRE	87505-LDC8-E10	3				
42	MARK MAINT CAUTION	87541-GAR1-C01	1				
43	MARK MAINT CAUTION	87542-GAR1-E01	2				
44	MARK DRIVE CAUTION	87560-KNBN-E01	0				
45	STRIPE R BODY COVER	86221-LHM9-E61	0	T01			
46	STRIPE L BODY COVER	86231-LHM9-E61	0				
47	STRIPE FR MOLD	86281-LHM9-E61	0				
48	STRIPE KYMCO	87160-LDC8-E90	1				
49	STRIPE MARK 2T	87140-LHM9-E60	0	T02			
50	STRIPE R FR MOLD	86282-LHM9-E61	0	T02	T04		
DATE OF STARTING-SALES							
DATE OF END-SALES							

NO	MODEL			COLOR CHART OF KE10BB(GR)			
	PHOTO NO			NO. 5	NO. 6	NO. 7	NO. 8
	BASIC COLOR			Black	Pearly White		Pearly White
	CODE			Black	Pearly White		Pearly White
	PARTS NAME	PARTS NO.	VERSION	NH001SAA	NH193PAA	NH193PAA	NH193PAB
26	COVER L SIDE	11341-KKD6-C00	0	NEA			
27	WHEEL ASSY RR	42600-LGB5-E11	0				
28	WHEEL CAST RR	42601-LGB5-E10	0				
29	WHEEL ASSY FR	44600-LGB5-E81	0				
30	WHEEL COMP FR CAST	44601-LGB5-E10	0				
31	MIRROR ASSY R BACK	88110-LEB5-C11	0	NEP			
32	MIRROR ASSY L BACK	88120-LEB5-C11	0				
33	FORK ASSY FR R	51400-LGB5-E10	0	NGS			
34	BOTTOM CASE R	51420-LDF7-E10	0				
35	FORK ASSY FR L	51500-LGB5-E10	0				
36	BOTTOM CASE L	51520-LDF7-E10	1				
37	CALIPER ASSY L FR	45200-LGB5-E10	0				
38	CUSHION ASSY REAR	52400-LHM9-E10	0	R8A R8S			
39	EMB K-LOGO'28mm	86102-LEA5-E00	1				
40	CAUTION ANTI	87224-LHM9-EZ0	0	T01			
41	LABEL TIRE	87505-LDC8-E10	3				
42	MARK MAINT CAUTION	87541-GAR1-C01	1				
43	MARK MAINT CAUTION	87542-GAR1-E01	2				
44	MARK DRIVE CAUTION	87560-KNBN-E01	0				
45	STRIPE R BODY COVER	86221-LHM9-E61	0	T01			
46	STRIPE L BODY COVER	86231-LHM9-E61	0				
47	STRIPE FR MOLD	86281-LHM9-E61	0				
48	STRIPE KYMCO	87160-LDC8-E90	1				
49	STRIPE MARK 2T	87140-LHM9-E60	0	T02	T01		
50	STRIPE R FR MOLD	86282-LHM9-E61	0	T03			
DATE OF STARTING-SALES							
DATE OF END-SALES							



NO	MODEL			COLOR CHART OF KE10BB(GR)			
	PHOTO NO			NO. 9	NO. 10	NO. 11	
	BASIC COLOR				Bright Red		
	CODE				Bright Red		
	PARTS NAME	PARTS NO.	VERSION	NH193PAB	RR136PA	RR136PA	
26	COVER L SIDE	11341-KKD6-C00	0	NEA			
27	WHEEL ASSY RR	42600-LGB5-E11	0				
28	WHEEL CAST RR	42601-LGB5-E10	0				
29	WHEEL ASSY FR	44600-LGB5-E81	0				
30	WHEEL COMP FR CAST	44601-LGB5-E10	0				
31	MIRROR ASSY R BACK	88110-LEB5-C11	0	NEP			
32	MIRROR ASSY L BACK	88120-LEB5-C11	0				
33	FORK ASSY FR R	51400-LGB5-E10	0	NGS			
34	BOTTOM CASE R	51420-LDF7-E10	0				
35	FORK ASSY FR L	51500-LGB5-E10	0				
36	BOTTOM CASE L	51520-LDF7-E10	1	R8A			
37	CALIPER ASSY L FR	45200-LGB5-E10	0				
38	CUSHION ASSY REAR	52400-LHM9-E10	0	R8S			
39	EMB K-LOGO'28mm	86102-LEA5-E00	1				
40	CAUTION ANTI	87224-LHM9-EZ0	0	T01			
41	LABEL TIRE	87505-LDC8-E10	3				
42	MARK MAINT CAUTION	87541-GAR1-C01	1				
43	MARK MAINT CAUTION	87542-GAR1-E01	2				
44	MARK DRIVE CAUTION	87560-KNBN-E01	0				
45	STRIPE R BODY COVER	86221-LHM9-E61	0				
46	STRIPE L BODY COVER	86231-LHM9-E61	0				
47	STRIPE FR MOLD	86281-LHM9-E61	0				
48	STRIPE KYMCO	87160-LDC8-E90	1	T01			
49	STRIPE MARK 2T	87140-LHM9-E60	0				
50	STRIPE R FR MOLD	86282-LHM9-E61	0	T01	T02		
DATE OF STARTING-SALES				T03	T01		
DATE OF END-SALES							

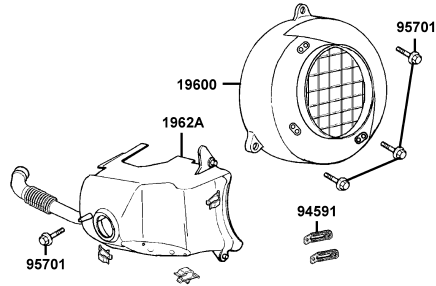
NO	MODEL			COLOR CHART OF KE10BB(GR)			
	PHOTO NO			NO. 1	NO. 2	NO. 3	NO. 4
	BASIC COLOR			Orange		Black	
	CODE			Orange		Black	
	PARTS NAME	PARTS NO.	VERSION	MR068PA	NH001SAB	NH001SAB	NH001SAA
51	STRIPE L FR MOLD	86283-LHM9-E61	0	T02	T04		
52	HOLDER UPPER	53131-LHM9-E60	0	YYP			
53	COVER NECK FR.	53205-LHM9-E60	0				
54	COVER NECK RR.	53206-LHM9-E60	0				
55	STRIPE B BODY COVER	86211-LHM9-E60	0				
56	STRIPR R BODY COVER	86221-LHM9-E60	0	T02			
57	STRIPE L BODY COVER	86231-LHM9-E60	0				
58	STRIPE R FR MOLD	86282-LHM9-E60	0				
59	STRIPE L FR MOLD	86283-LHM9-E60	0				
60	STRIPE B R FR MOLD	86284-LHM9-E60	0				
61	STRIPE C R FR MOLD	86285-LHM9-E60	0				
62	STRIPE B L FR MOLD	86286-LHM9-E60	0				
63	STRIPE C L FR MOLD	86287-LHM9-E60	0				
DATE OF STARTING-SALES							
DATE OF END-SALES							

NO	MODEL			COLOR CHART OF KE10BB(GR)							
	PHOTO NO			NO. 5	NO. 6	NO. 7	NO. 8				
	BASIC COLOR			Black	Pearly White		Pearly White				
	CODE			Black	Pearly White		Pearly White				
	PARTS NAME	PARTS NO.	VERSION	NH001SAA	NH193PAA	NH193PAA	NH193PAB				
51	STRIPE L FR MOLD	86283-LHM9-E61	0				T03				
52	HOLDER UPPER	53131-LHM9-E60	0	YYP							
53	COVER NECK FR.	53205-LHM9-E60	0								
54	COVER NECK RR.	53206-LHM9-E60	0								
55	STRIPE B BODY COVER	86211-LHM9-E60	0								
56	STRIPR R BODY COVER	86221-LHM9-E60	0	T02							
57	STRIPE L BODY COVER	86231-LHM9-E60	0								
58	STRIPE R FR MOLD	86282-LHM9-E60	0								
59	STRIPE L FR MOLD	86283-LHM9-E60	0								
60	STRIPE B R FR MOLD	86284-LHM9-E60	0								
61	STRIPE C R FR MOLD	86285-LHM9-E60	0								
62	STRIPE B L FR MOLD	86286-LHM9-E60	0								
63	STRIPE C L FR MOLD	86287-LHM9-E60	0								
								T01			
DATE OF STARTING-SALES											
DATE OF END-SALES											

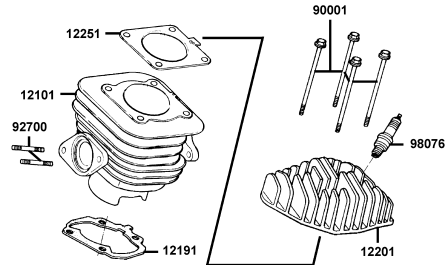
NO	MODEL			COLOR CHART OF KE10BB(GR)						
	PHOTO NO			NO. 9	NO. 10	NO. 11				
	BASIC COLOR				Bright Red					
	CODE				Bright Red					
	PARTS NAME	PARTS NO.	VERSION	NH193PAB	RR136PA	RR136PA				
51	STRIPE L FR MOLD	86283-LHM9-E61	0	T03	T01					
52	HOLDER UPPER	53131-LHM9-E60	0	YYP						
53	COVER NECK FR.	53205-LHM9-E60	0							
54	COVER NECK RR.	53206-LHM9-E60	0							
55	STRIPE B BODY COVER	86211-LHM9-E60	0							
56	STRIPR R BODY COVER	86221-LHM9-E60	0	YYP						
57	STRIPE L BODY COVER	86231-LHM9-E60	0							
58	STRIPE R FR MOLD	86282-LHM9-E60	0							
59	STRIPE L FR MOLD	86283-LHM9-E60	0							
60	STRIPE B R FR MOLD	86284-LHM9-E60	0							
61	STRIPE C R FR MOLD	86285-LHM9-E60	0							
62	STRIPE B L FR MOLD	86286-LHM9-E60	0							
63	STRIPE C L FR MOLD	86287-LHM9-E60	0							
DATE OF STARTING-SALES										
DATE OF END-SALES										

# CONTENTS - ENGINE GROUP

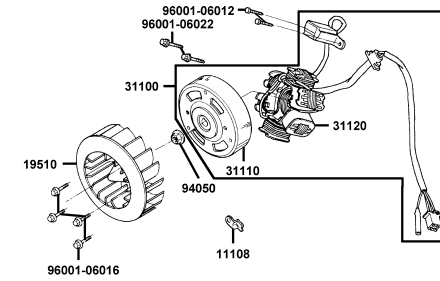
## E01 COVER COMP FAN



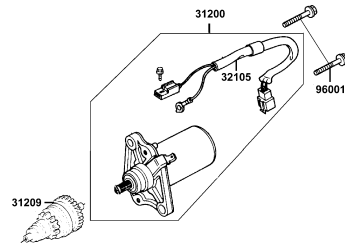
## E02 CYLINDER



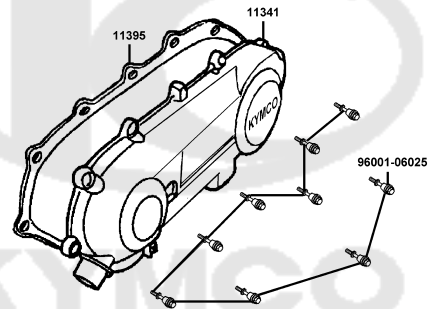
## E03 Fan Cover Generator



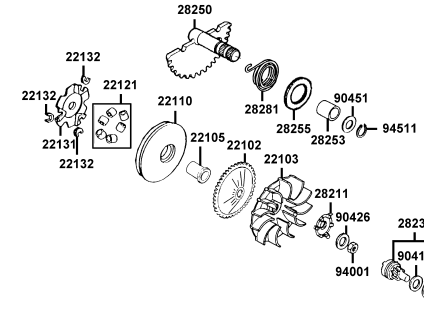
## E04 MOTOR ASS'Y START



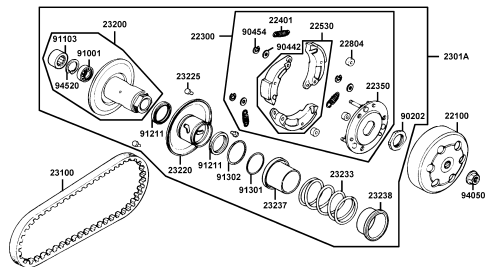
## E05 Left Crankcase Cover



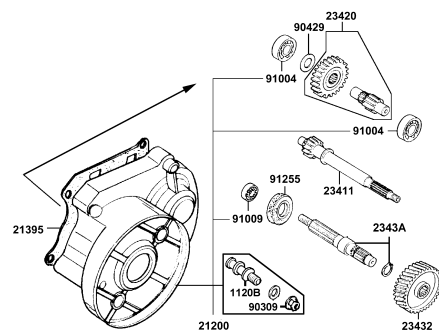
## E06 Ratchet Kick Starer



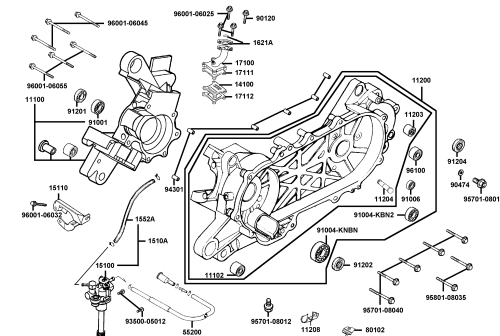
## E07 Pulley Sub Assy



## E08 Transmission

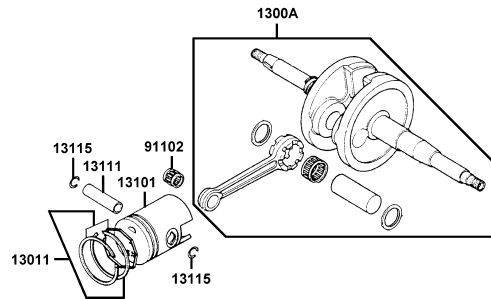


## E09 Crankcase

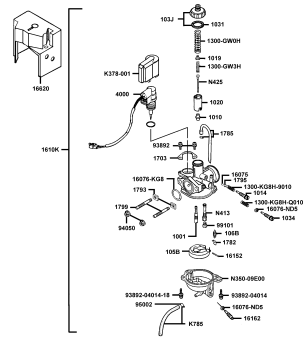


## CONTENTS - ENGINE GROUP

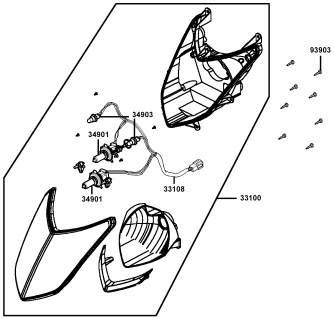
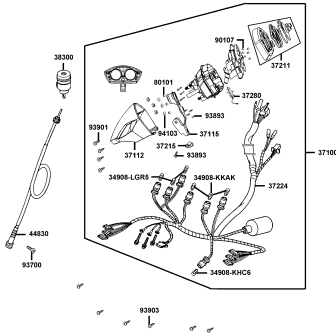
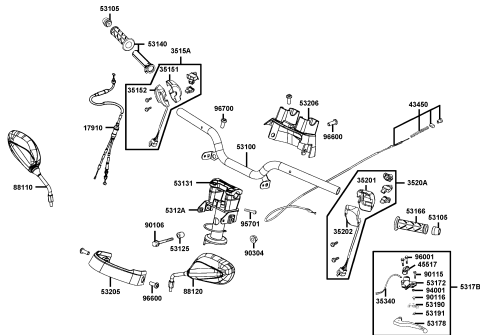
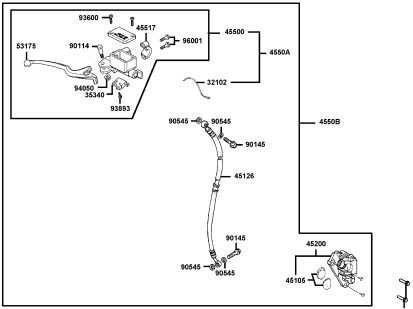
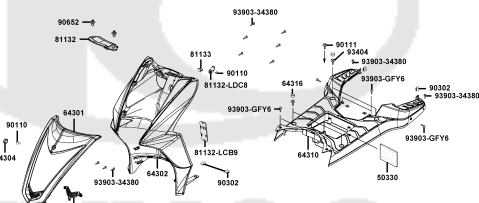
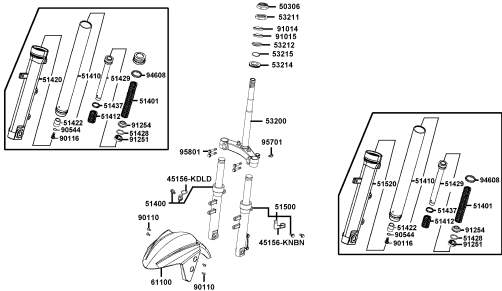
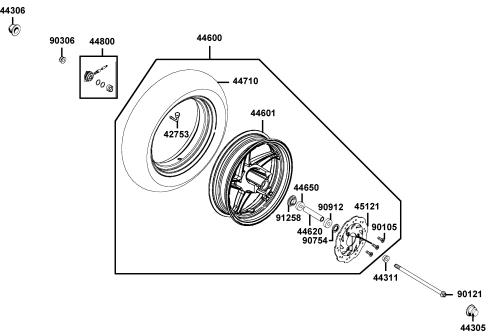
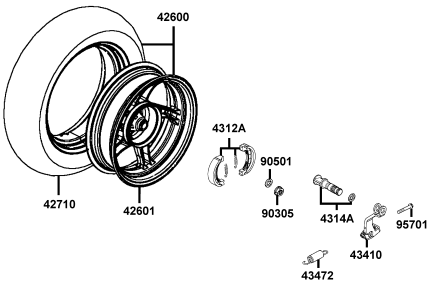
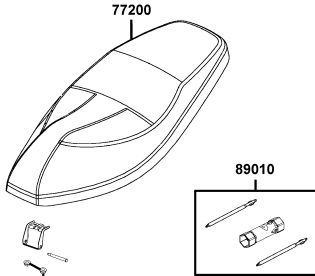
**E10** Crankshaft PistonRing Assy



**E11** Carburetor

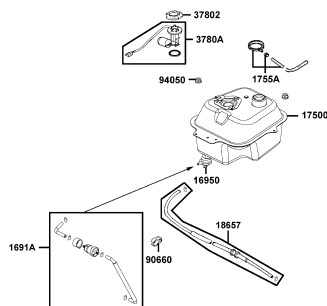


# CONTENTS - FRAME GROUP

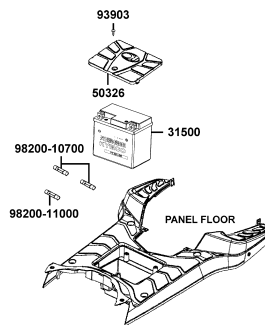
<p><b>F01</b>    Head Light</p> 	<p><b>F02</b>    Speedometer</p> 	<p><b>F03</b>    Handle Steering Handle Cover</p> 
<p><b>F04</b>    Brake Master Cylinder</p> 	<p><b>F05</b>    Front Cover</p> 	<p><b>F06</b>    Stem Steering Front Cushion</p> 
<p><b>F07</b>    Front Wheel</p> 	<p><b>F08</b>    Rear Wheel</p> 	<p><b>F09</b>    Seat</p> 

## CONTENTS - FRAME GROUP

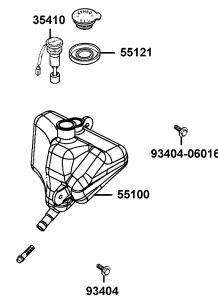
**F10 Fuel Tank**



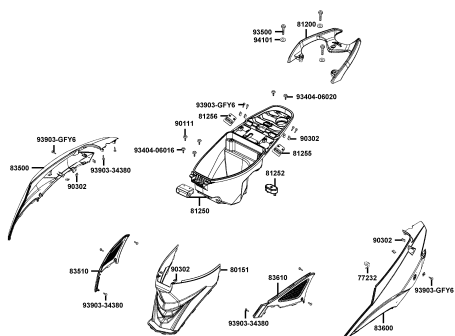
**F11 Battery**



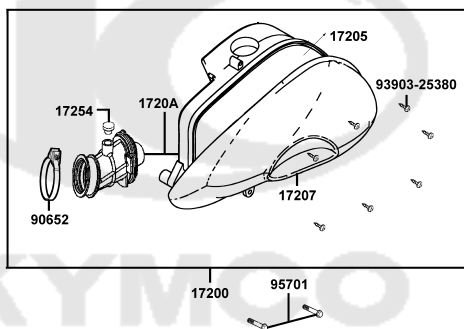
**F12 Tank Oil**



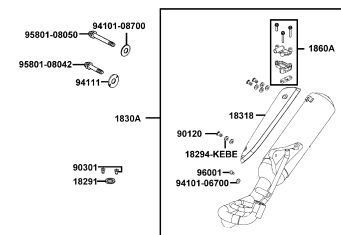
**F13 Cover Body Cover Center**



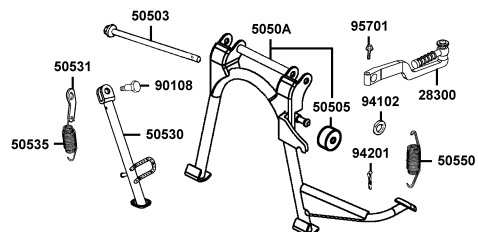
**F14 Air Cleaner**



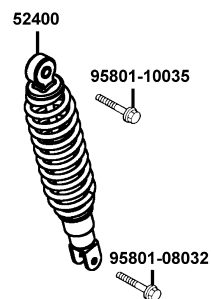
**F15 Exhaust Muffler**



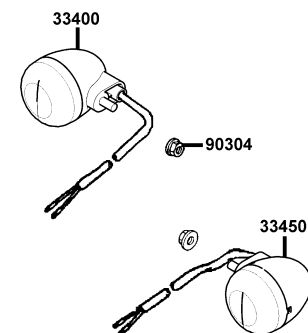
**F16 Stand Kick Starter Arm**



**F17 Rear Cushion**



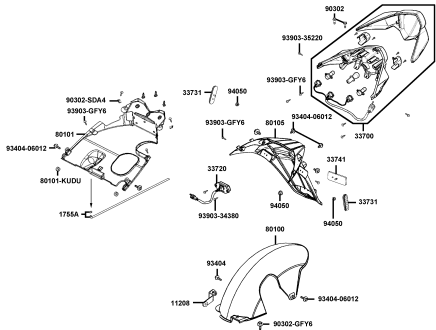
**F18 Front Winker**



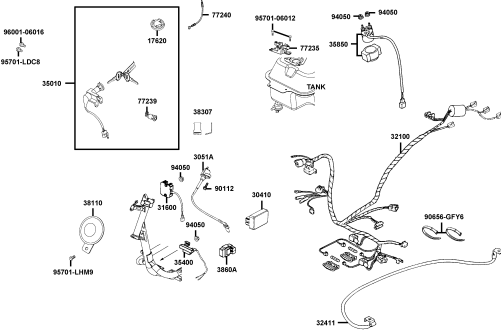


# CONTENTS - FRAME GROUP

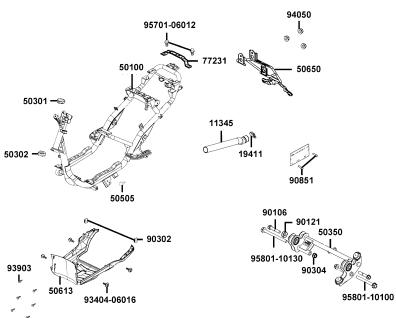
**F19 Tail Light**



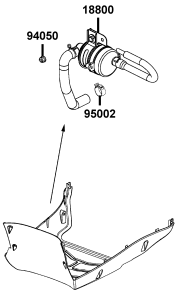
**F20 Wire Harness**



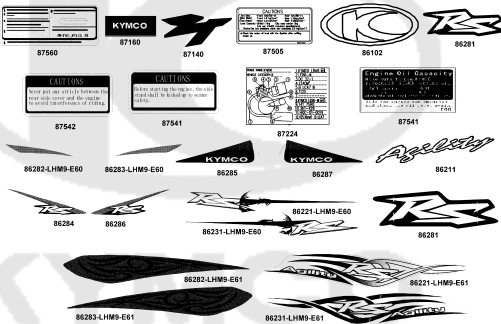
**F21 Frame Body**



**F22 Air Cleaner Two**

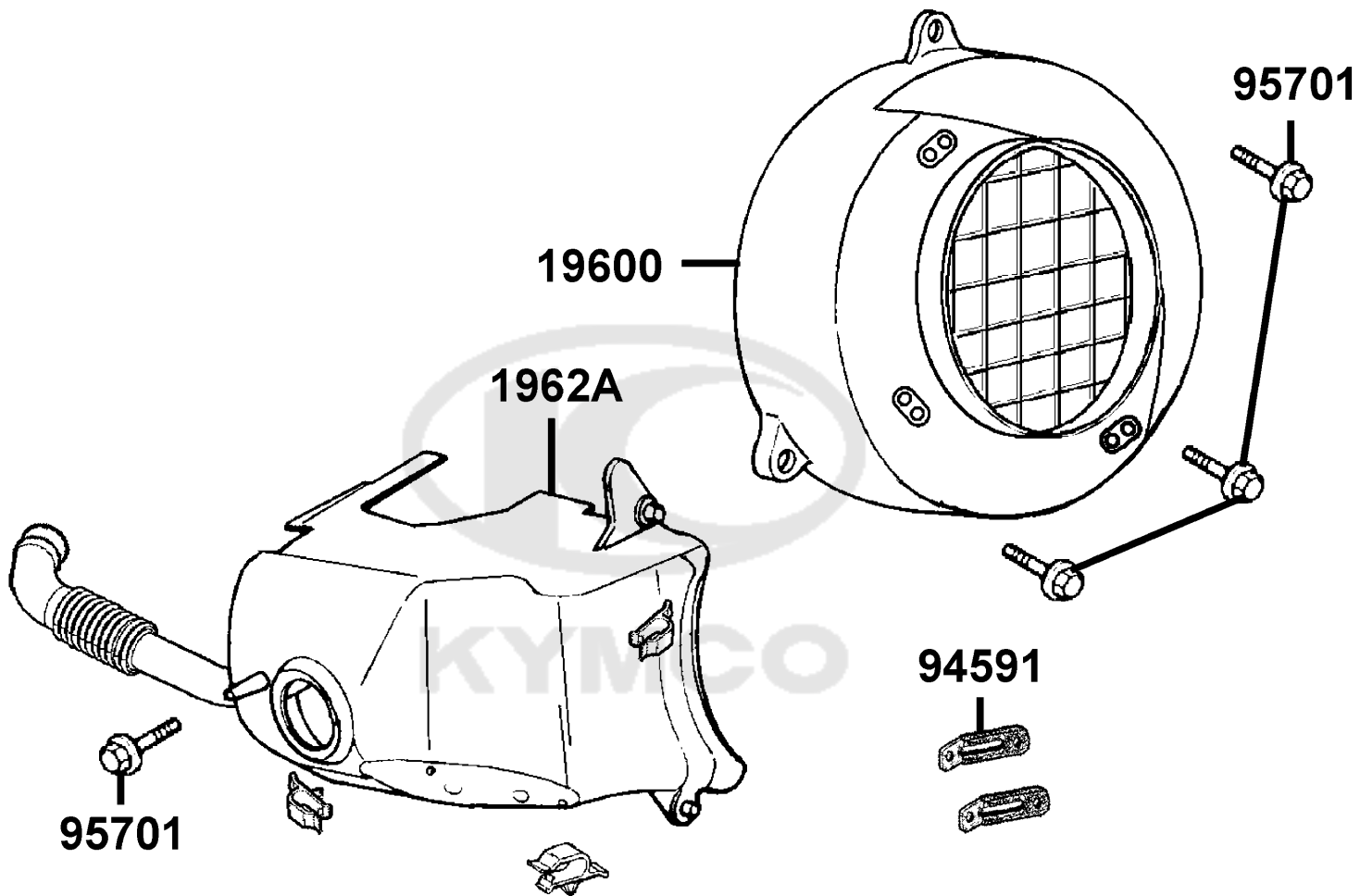


**F23 Emblem Stripe**



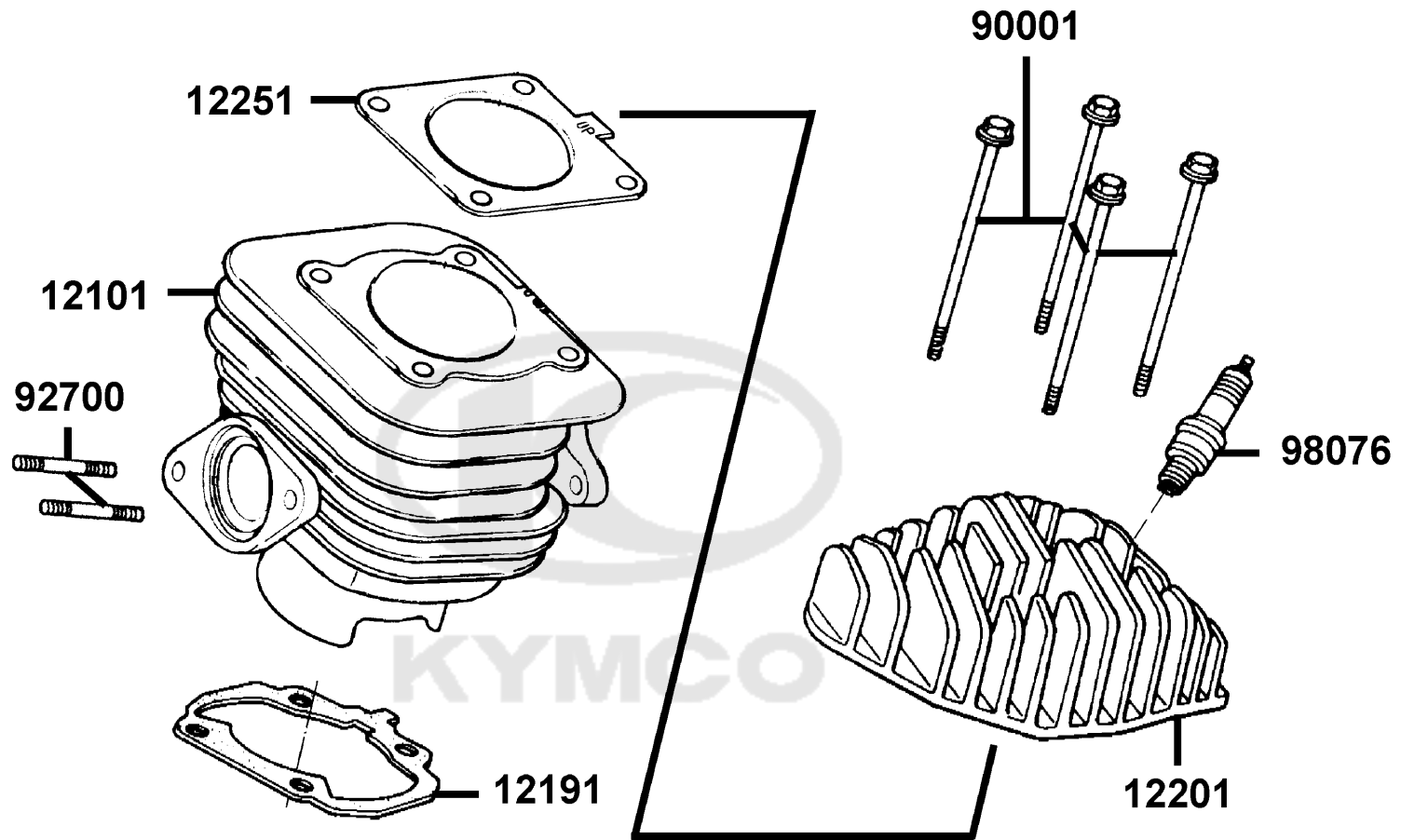
E01

COVER COMP FAN



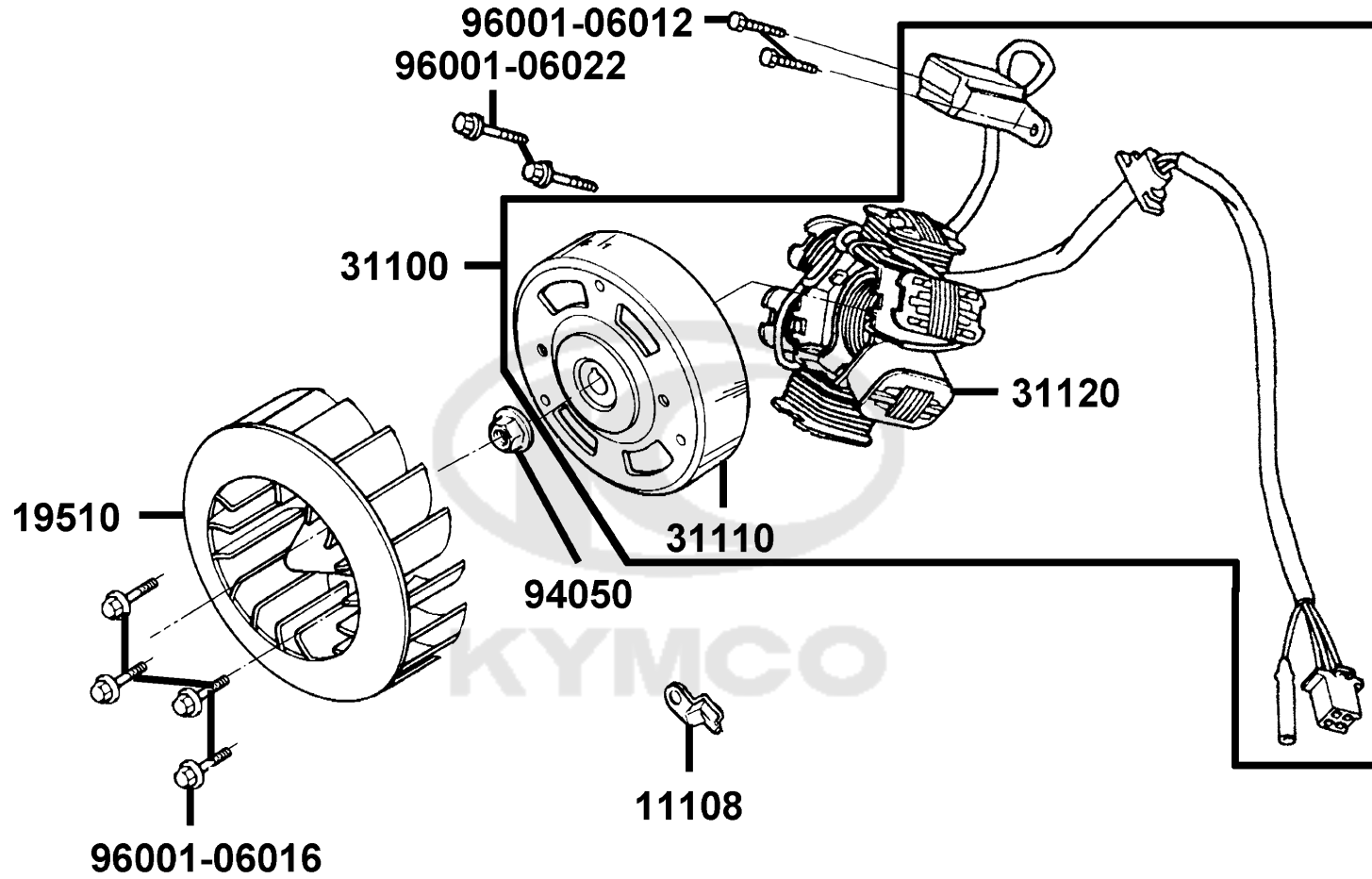
Sales mark	Ref no	Part no	Description	Reg description	Regd no	<b>E01</b>
19600	19600-KEB7-C00	19600-KEB7-C00	COVER COMP FAN	COVER COMP FAN	1	
1962A	1962A-KEB7-C10	1962A-KEB7-C10	CLIP SET SHROUD	CLIP SET SHROUD	1	
94591	94591-KFBF-C00	94591-KFBF-C00	CLIP 2*70	CLIP 2*70	1	
95701	95701-06025-08	95701-06025-08	BOLT FLANGE 6*25	BOLT FLANGE 6*25	4	



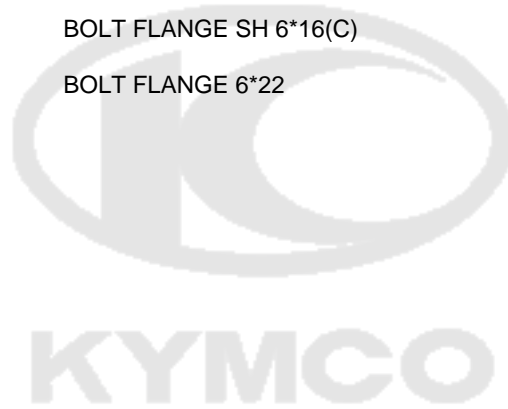


Sales mark	Ref no	Part no	Description	Reg description	Regd no	<b>E02</b>
12101	12101-KEB7-C00	12101-KEB7-C00	CYLINDER	CYLINDER	1	
12191	12191-KEB7-C00	12191-KEB7-C00	GASKET CYLINDER @A	GASKET CYLINDER @A	1	
12201	12201-KEB7-C00	12201-KEB7-C00	HEAD CYLINDER	HEAD CYLINDER	1	
12251	12251-KEB7-C00	12251-KEB7-C00	GASKET CYLINDER HEAD	GASKET CYLINDER HEAD	1	
90001	90001-GKAK-C00	90001-GKAK-C00	BOLT FLANGE 7*100	BOLT FLANGE 7*100	1	
92700	92700-06028-1B	92700-06028-1B	BOLT STUD 6*28	BOLT STUD 6*28	2	
98076	98076-5871G-00	98076-5871G-00	SPARK PLUG (BR8HSA)	SPARK PLUG (BR8HSA)	1	



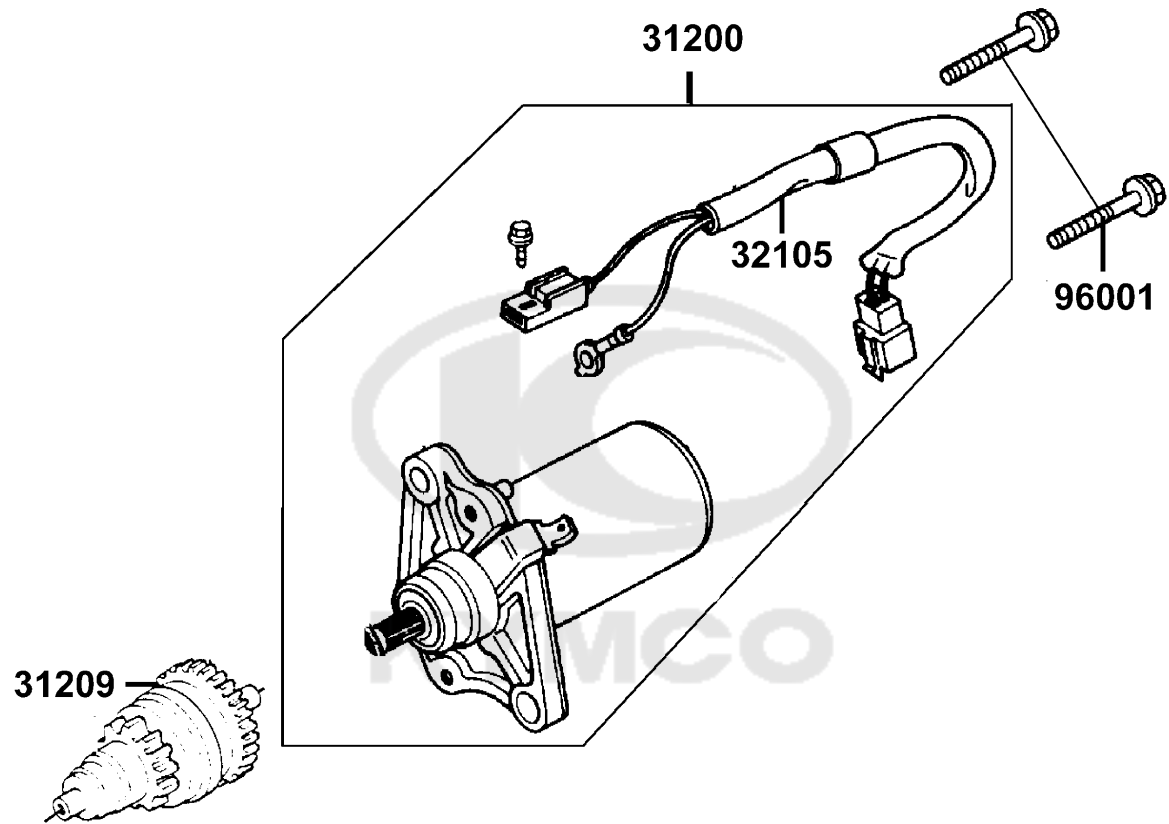


Sales mark	Ref no	Part no	Description	Reg description	Regd no	<b>E03</b>
11108		11108-KEB7-C00	HOLDER STATOR WIRE	HOLDER STATOR WIRE	1	
19510		19510-GBW2-C00	FAN COMP COOLING	FAN COMP COOLING	1	
31100		31100-LHB3-E10	AC GEN ASSY	AC GEN ASSY	1	
31110		31110-KEB7-90A	FLYWHEEL COMP	FLYWHEEL COMP	1	
31120		31120-LHB3-E10	STATOR COMP	STATOR COMP	1	
94050		94050-10080	NUT HEX 10MM	NUT HEX 10MM	1	
96001-06012		96001-06012-08	BOLT FLANGE 6*12	BOLT FLANGE 6*12	2	
96001-06016		96001-06016-08	BOLT FLANGE SH 6*16(C)	BOLT FLANGE SH 6*16(C)	4	
96001-06022		96001-06022-08	BOLT FLANGE 6*22	BOLT FLANGE 6*22	2	



E04

MOTOR ASS'Y START



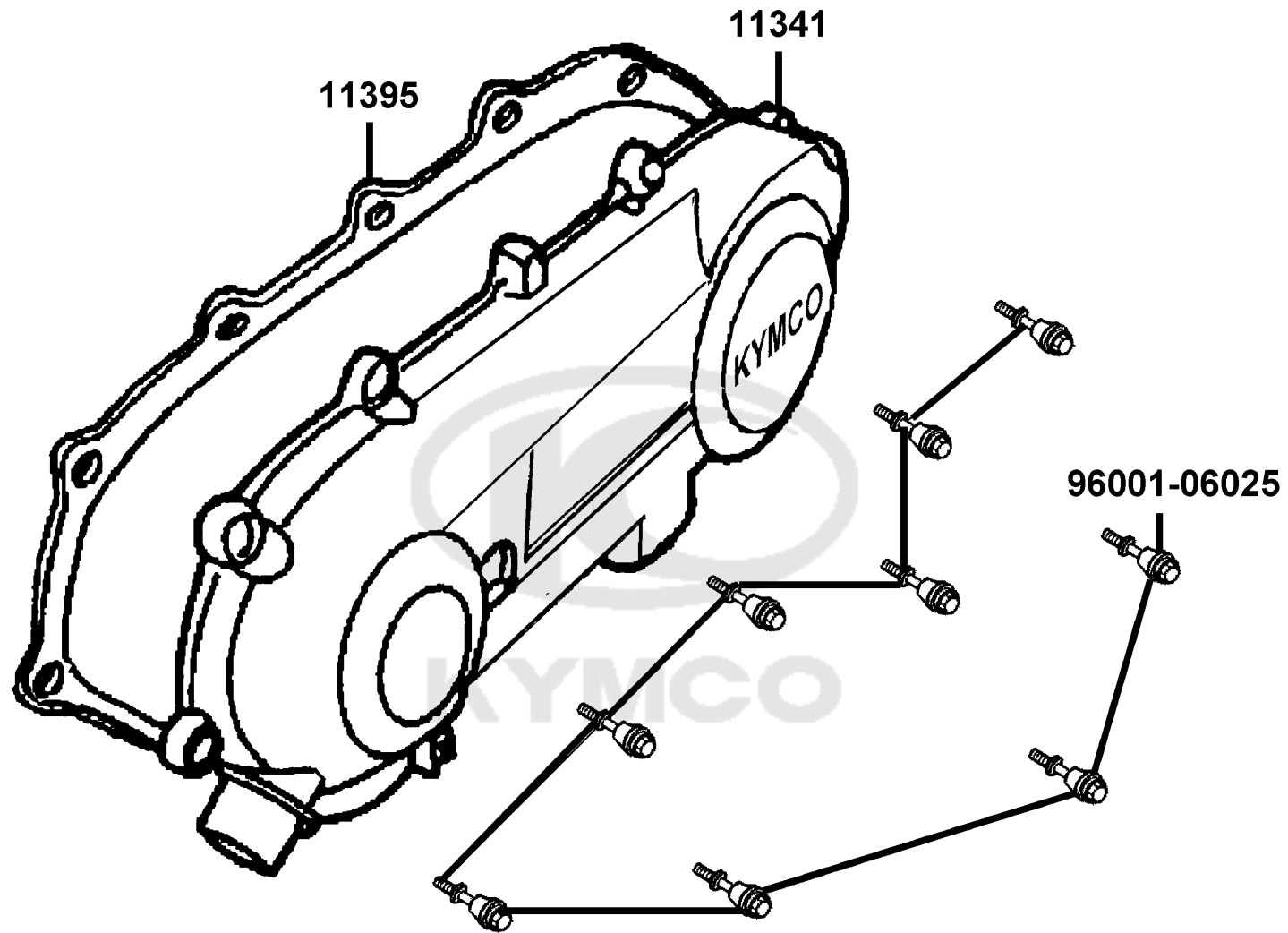


Sales mark	Ref no	Part no	Description	Reg description	Regd no	<b>E04</b>
31200		31200-LHM9-E10	MOTOR ASSY STARTER	MOTOR ASSY STARTER	1	
31209		31209-GKAK-C00	PINION ASSY STARTER	PINION ASSY STARTER	1	
32105		32105-LHB3-E10	SUB HARNESS	SUB HARNESS	1	
96001		96001-06025-08	BOLT FLANGE SH 6*25 (C)	BOLT FLANGE SH 6*25 (C)	2	



E05

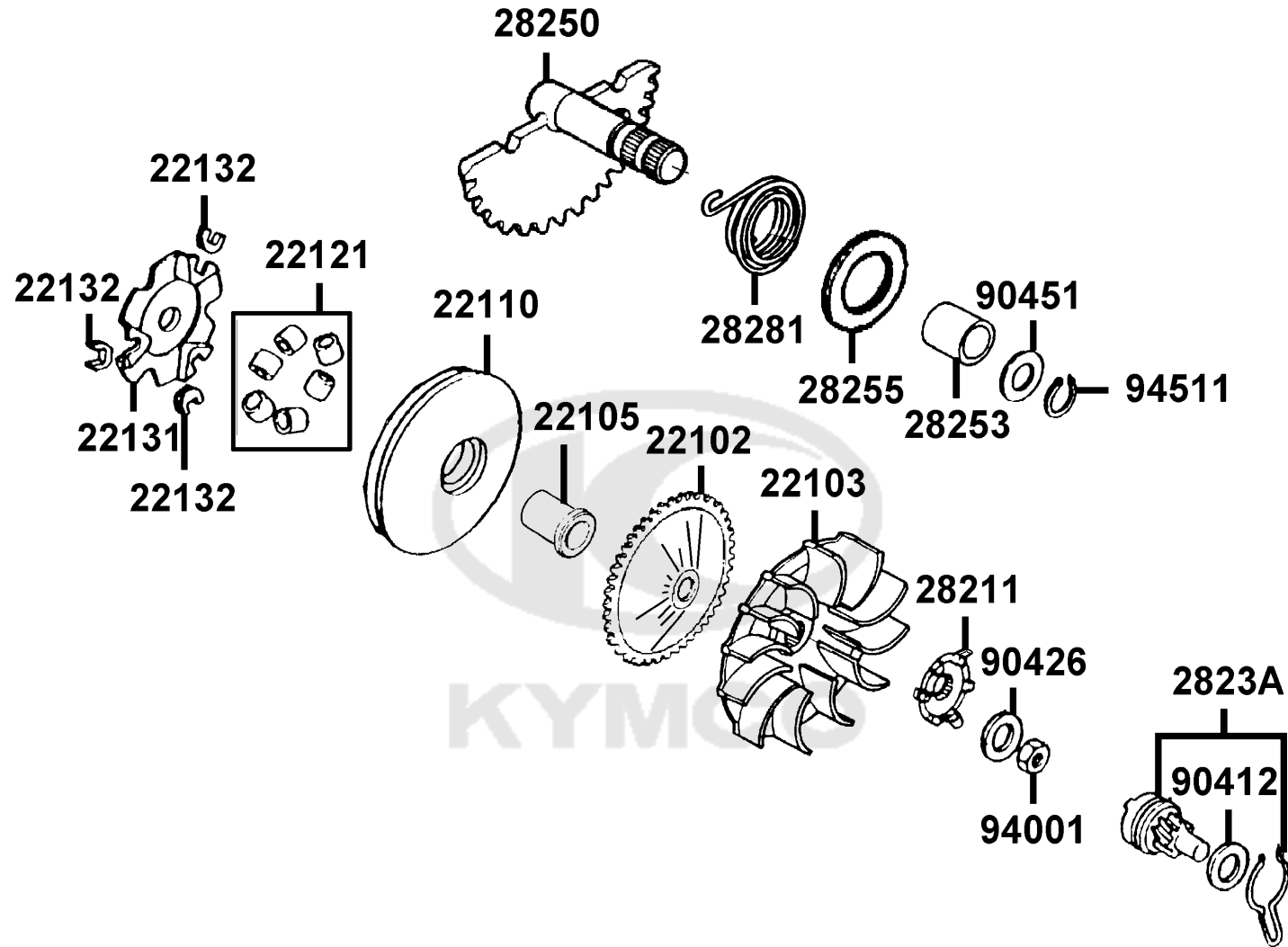
Left Crankcase Cover



Sales mark	Ref no	Part no	Description	Reg description	Regd no	<b>E05</b>
------------	--------	---------	-------------	-----------------	---------	------------

**	11341	11341-KKD6-C00	COVER L SIDE	COVER L SIDE	1	
	11395	11395-KKD6-C00	GASKET L COVER @A	GASKET L COVER @A	1	
	96001	96001-06025-08	BOLT FLANGE SH 6*25 (C)	BOLT FLANGE SH 6*25 (C)	9	

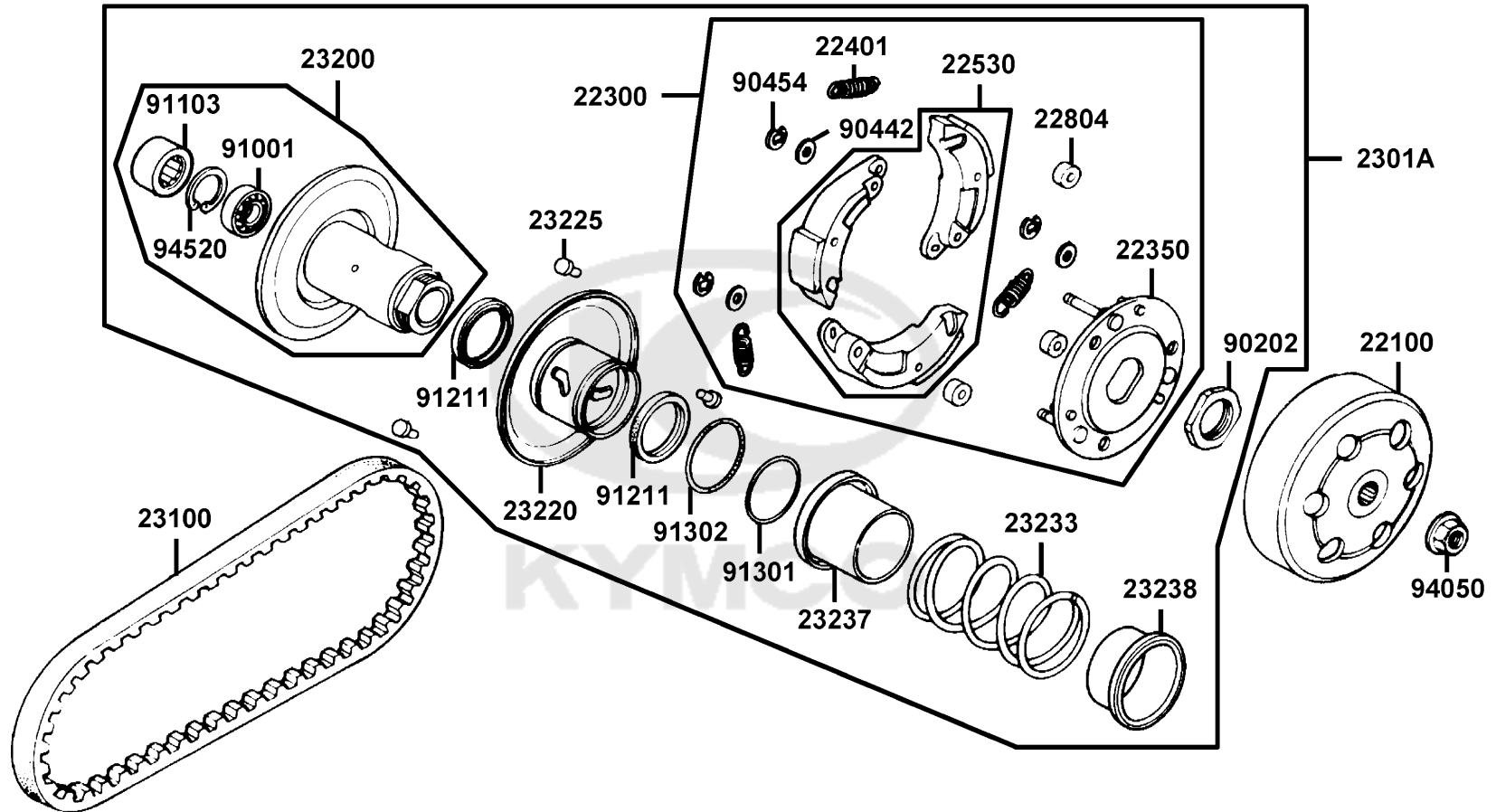




Sales mark	Ref no	Part no	Description	Reg description	Regd no	<b>E06</b>
	22102	22102-LDC8-E10	FACE DRIVE	FACE DRIVE	1	
	22103	22103-KEB7-C00	FAN CVT COOLING	FAN CVT COOLING	1	
	22105	22105-KFA5-C00	BOSS DRIVE FACE	BOSS DRIVE FACE	1	
	22110	22110-LEJ2-E10	FACE COMP MOVABLE DRIVE	FACE COMP MOVABLE DRIVE	1	
	22121	22121-GLW0-C00	ROLLER COMP WEIGHT 8.5 gr	ROLLER COMP WEIGHT 8.5 gr	1	
	22131	22131-GHAH-C00	PLATE RAMP	PLATE RAMP	1	
	22132	22132-GLW0-C00	PIECE SLIDE	PIECE SLIDE	1	
	28211	28211-KEB7-W10	RATCHET KICK STARTER	RATCHET KICK STARTER	1	
	2823A	2823A-GKAK-W10	GEAR ASSY KICK DRIVEN	GEAR ASSY KICK DRIVEN	1	
	28250	28250-LDF7-E10	SPINDLE COMP KICK STARTER	SPINDLE COMP KICK STARTER	1	
	28253	28253-GBN2-C00	BUSH KICK SPDL	BUSH KICK SPDL	1	
	28255	28255-GFS6-C00	COLLAR KICK BOSS	COLLAR KICK BOSS	1	
	28281	28281-GBN2-60A	SPRING KICK RETURN	SPRING KICK RETURN	1	
	90412	90412-3K29-C00	WASHER THRUST 10M/M	WASHER THRUST 10M/M	1	
	90426	90426-KNBN-C00	WASHER SPECIAL 12MM	WASHER SPECIAL 12MM	1	
	90451	90451-GBN2-C00	WASHER KICK SPINDLE	WASHER KICK SPINDLE	1	
	94001	94001-12280-0S	NUT HEX 12MM (C)	NUT HEX 12MM (C)	1	
	94511	94511-14000	CIR CLIP EX 14	CIR CLIP EX 14	1	

E07

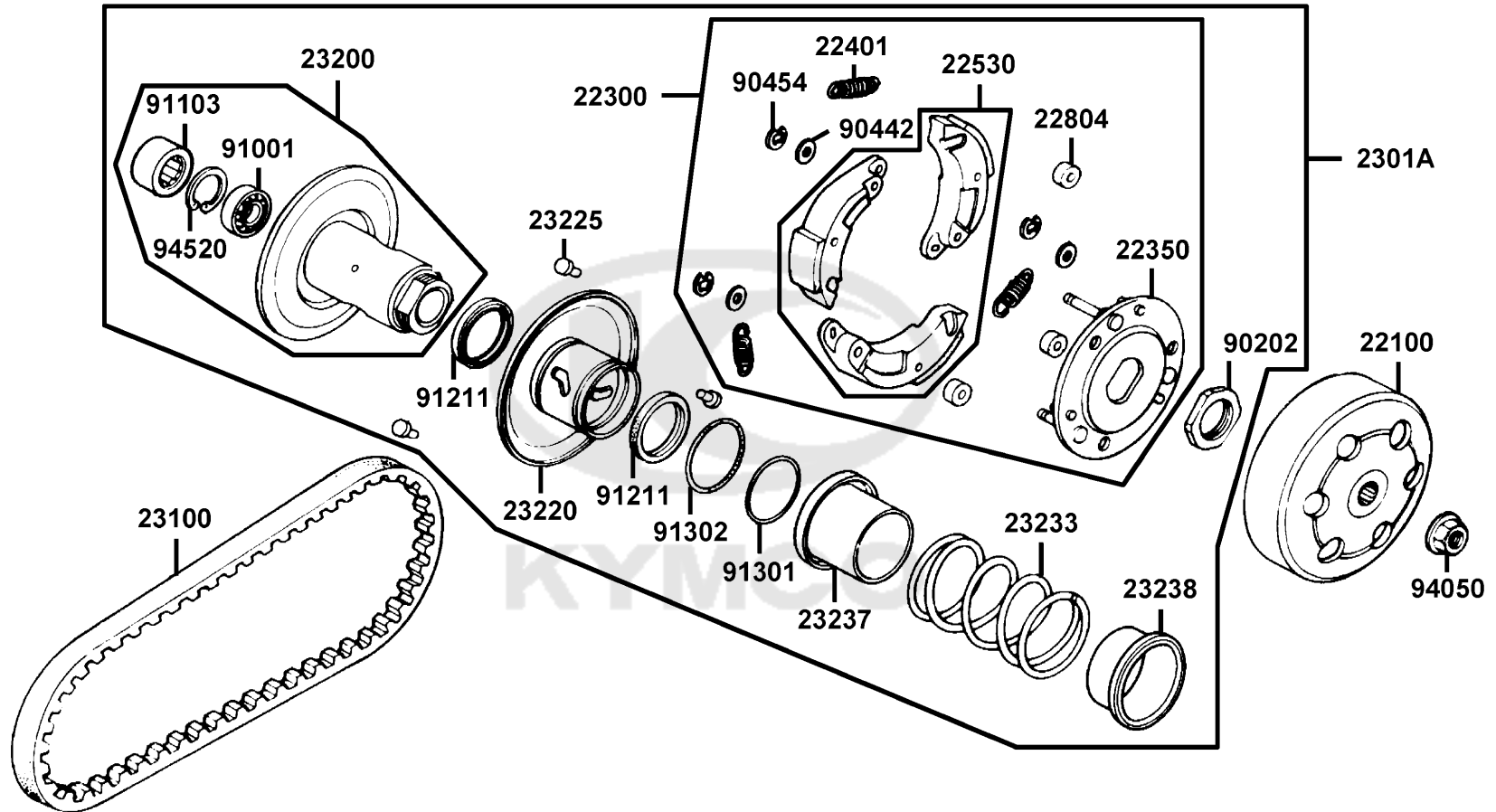
Pulley Sub Assy



Sales mark	Ref no	Part no	Description	Reg description	Regd no	<b>E07</b>
22100		22100-LHM9-E10	CLUTCH OUTER	CLUTCH OUTER	1	
22300		22300-KXCX-900	PLATE ASSY DRIVE	PLATE ASSY DRIVE	1	
22350		22350-GKAK-C00	PLATE COMP DRIVE	PLATE COMP DRIVE	1	
22401		22401-GBG2-C00	SPRING CLUTCH	SPRING CLUTCH	1	
22530		22530-GKAK-C00	WEIGHT CLUTCH	WEIGHT CLUTCH	1	
22804		22804-1H48-C00	RUBBER CLUTCH DUMPER	RUBBER CLUTCH DUMPER	1	
2301A		2301A-KEB7-C00	PULLEY SUB ASSY	PULLEY SUB ASSY	1	
23100		23100-KEB7-C00	BELT DRIVE	BELT DRIVE	1	
23200		23200-GAR1-C00	FACE ASSY?A DRIVEN	FACE ASSY?A DRIVEN	1	
23220		23220-GKAK-C00	FACE COMP DRIVEN H1	FACE COMP DRIVEN H1	1	
23225		23225-GAR1-C00	PIN GUIDE	PIN GUIDE	1	
23233		23233-GHE8-001	SPG DRIVEN FACE	SPG DRIVEN FACE	1	
23237		23237-GAR1-C00	COLLAR SEAL	COLLAR SEAL	1	
23238		23238-GGS7-C00	COLLAR SPG	COLLAR SPG	1	
90202		90202-1G87-C00	NUT SPECIAL 28MM	NUT SPECIAL 28MM	1	
90442		90442-0D44-C00	WASHER THRUST 6M/M	WASHER THRUST 6M/M	1	
90454		90454-GBB2-C00	CIR CLIP 6MM	CIR CLIP 6MM	1	
91001		91001-GGA7-C00	BRG RADIAL BALL 6901U	BRG RADIAL BALL 6901U	1	
91103		91103-GAR1-C00	BRG NEEDLE 17x25x18 WS	BRG NEEDLE 17x25x18 WS	1	
91211		91211-GHK8-C00	OIL SEAL 34*39*3	OIL SEAL 34*39*3	1	

E07

Pulley Sub Assy

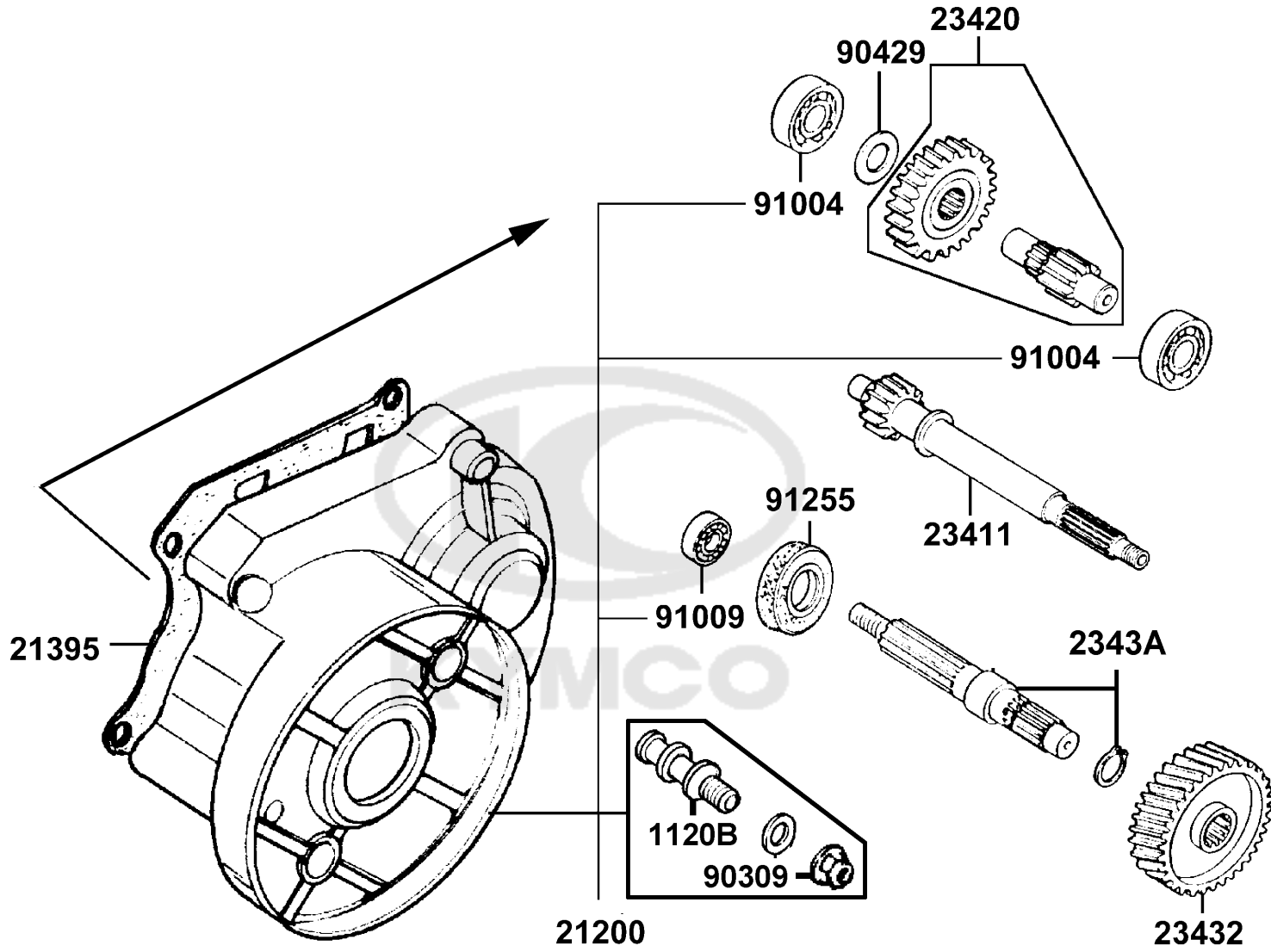




Sales mark	Ref no	Part no	Description	Reg description	Regd no	<b>E07</b>
------------	--------	---------	-------------	-----------------	---------	------------

91301		91301-KEA5-742	O-RING 36*1.5	O-RING 36*1.5	1	
91302		91302-PKA9-C00	O-RING 39.8*2.2	O-RING 39.8*2.2	1	
94050		94050-10080	NUT HEX 10MM	NUT HEX 10MM	1	
94520		94520-24000	CIR CLIP IN 24	CIR CLIP IN 24	1	

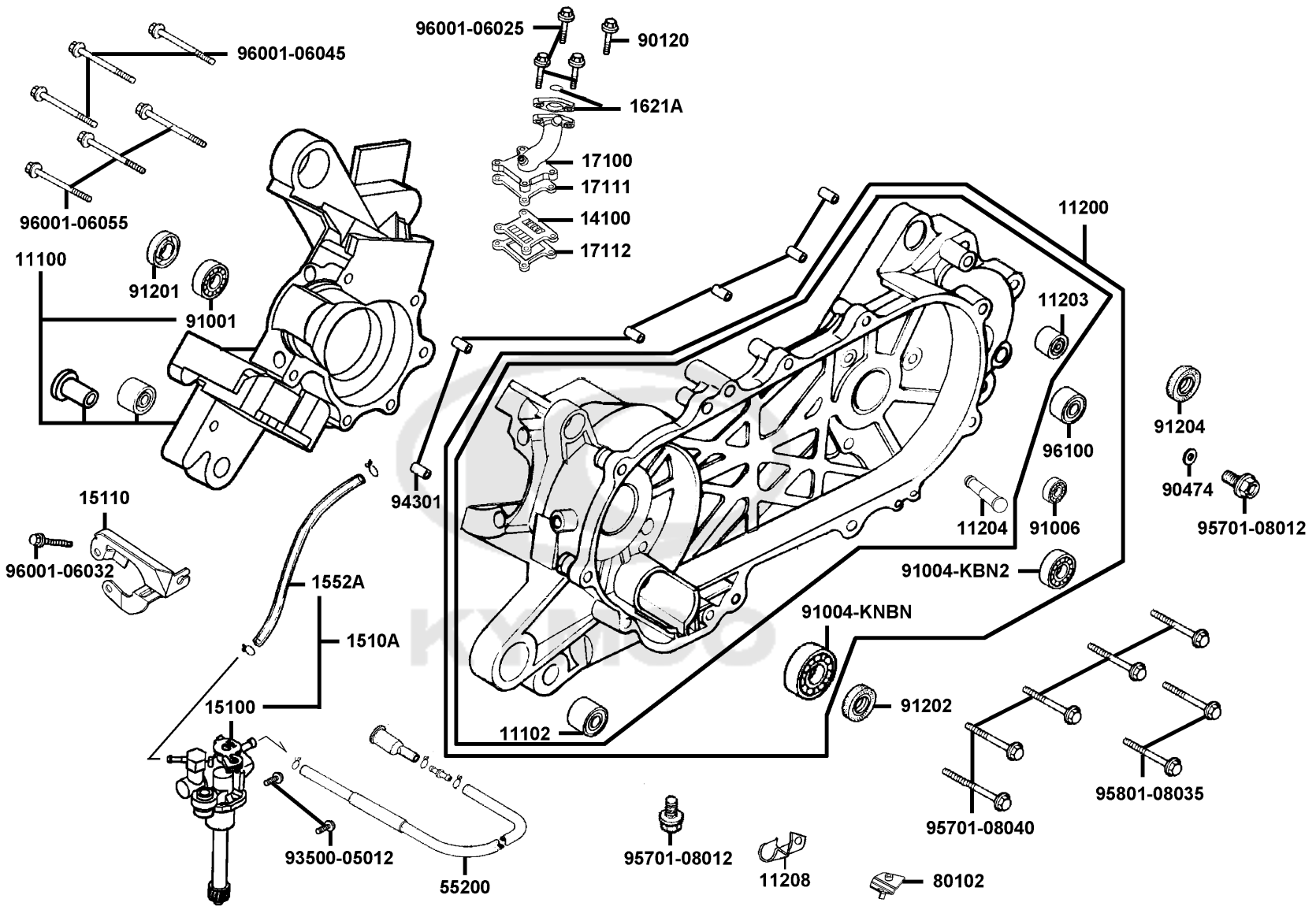




Sales mark	Ref no	Part no	Description	Reg description	Regd no	<b>E08</b>
1120B		1120B-KGN7-C00	PIN ASSY ANCHOR	PIN ASSY ANCHOR	1	
21200		21200-KFA1-900	CASE COMP MISSION	CASE COMP MISSION	1	
21395		21395-KNBN-C10	GASKET MISSION CASE	GASKET MISSION CASE	1	
23411		23411-KEB7-C00	SHAFT DRIVE	SHAFT DRIVE	1	
23420		23420-KEB7-C00	SHAFT COMP COUNTER	SHAFT COMP COUNTER	1	
23432		23432-KEB7-C00	GEAR FINAL	GEAR FINAL	1	
2343A		2343A-KNBN-C00	SHAFT ASSY. FINAL	SHAFT ASSY. FINAL	1	
90309		90309-KLF0-C00	NUT FLANGE 8MM	NUT FLANGE 8MM	1	
90429		90429-KNBN-C00	WASHER SIDE 12MM	WASHER SIDE 12MM	1	
91004		91004-KBN2-C00	BRG BALL RADIAL 6201	BRG BALL RADIAL 6201	1	
91009		91009-GLE0-C00	BRG BALL RADIAL 6004 UU	BRG BALL RADIAL 6004 UU	1	
91255		91255-LDC8-E10	OIL SEAL 27*42*7	OIL SEAL 27*42*7	1	

E09

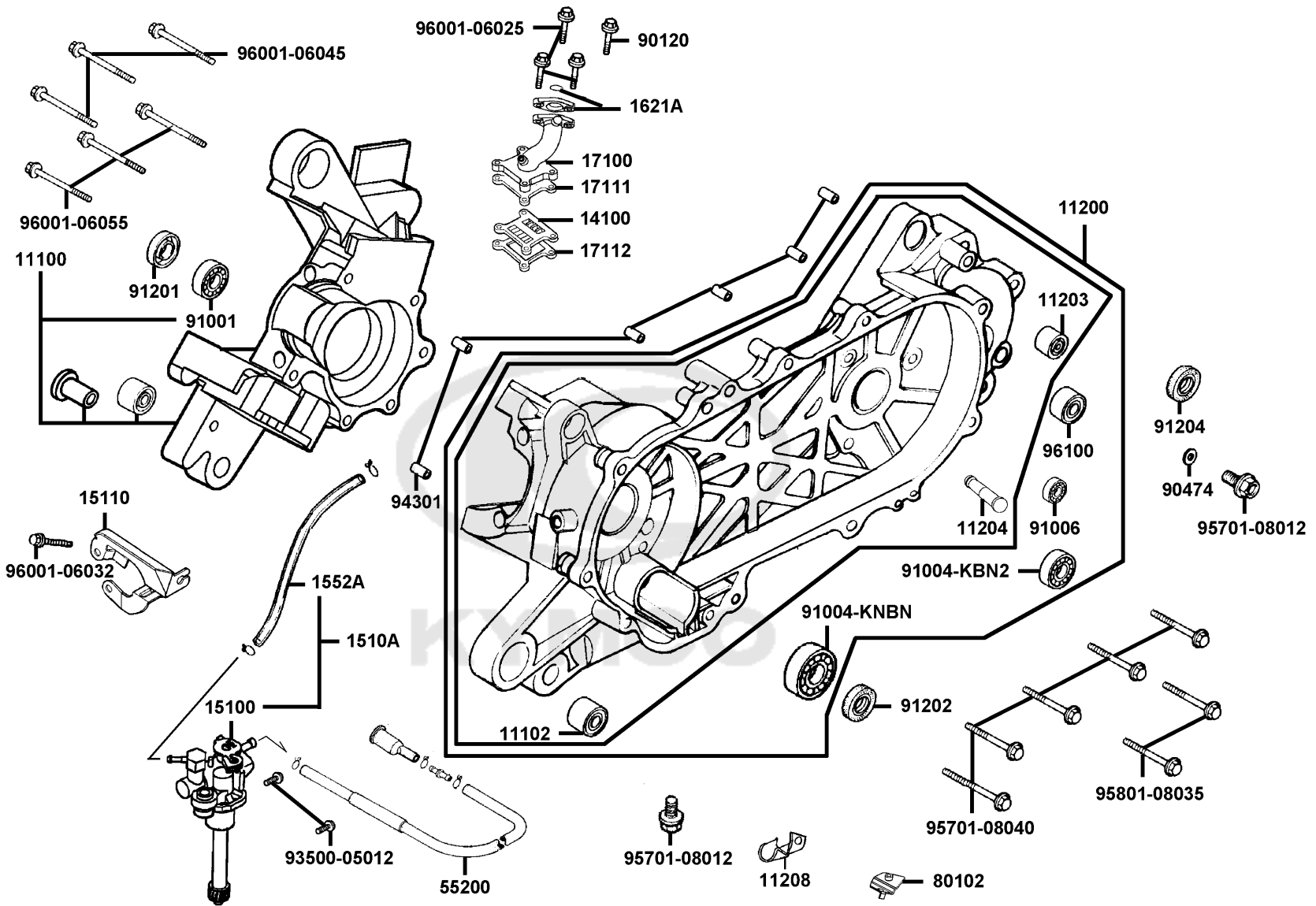
# Crankcase



Sales mark	Ref no	Part no	Description	Reg description	Regd no	E09
	11100	11100-KGB5-900	CRANK CASE COMP RIGHT	CRANK CASE COMP RIGHT	1	
	11102	11102-1G87-C00	RUBBER BUSH ENGINE HANGER	RUBBER BUSH ENGINE HANGER	1	
	11200	11200-KEB7-900	CRANK CASE COMP LEFT	CRANK CASE COMP LEFT	1	
	11203	11203-GGC7-W10	UNDER RUBBER BUSH RR CUSHION	UNDER RUBBER BUSH RR CUSHION	1	
	11204	11204-KEB7-C00	PIN SPG HOOK	PIN SPG HOOK	1	
	11208	11208-GKAK-C00	CLAMPER CARB DRAIN	CLAMPER CARB DRAIN	1	
	14100	14100-KEB7-C00	VALVE COMP REED	VALVE COMP REED	1	
	15100	15100-KEB7-E00	OIL PUMP ASSY	OIL PUMP ASSY	1	
	1510A	1510A-LCD1-E00	OIL PUMP ASSY	OIL PUMP ASSY	1	
	15110	15110-KEB7-C00	PLATE OIL PUMP SET	PLATE OIL PUMP SET	1	
	1552A	1552A-KEB7-C00	TUBE ASSY OIL PASS	TUBE ASSY OIL PASS	1	
	1621A	1621A-GKAK-C00	INSULATOR CARB ASSY	INSULATOR CARB ASSY	1	
	17100	17100-KEB7-901	PIPE COMP INLET	PIPE COMP INLET	1	
	17111	17111-LHM9-E10	GASKET INLET PIPE A @A	GASKET INLET PIPE A @A	1	
	17112	17112-KEB7-C00	GASKET INLET PIPE B @A	GASKET INLET PIPE B @A	1	
	55200	55200-LGR4-C00	TUBE ASSY OIL/KD	TUBE ASSY OIL/KD	1	
	80102	80102-LHM9-E10	STAY A RR TIRE FENDER	STAY A RR TIRE FENDER	1	
	90120	90120-GAR1-J00	SOCKET BOLT SPECIAL 6*28	SOCKET BOLT SPECIAL 6*28	1	
	90474	90474-3C33-C00	WASHER 8MM (T*2)	WASHER 8MM (T*2)	1	
	91001	91001-GLW0-C00	BRG BALL RADIAL6204	BRG BALL RADIAL6204	1	

E09

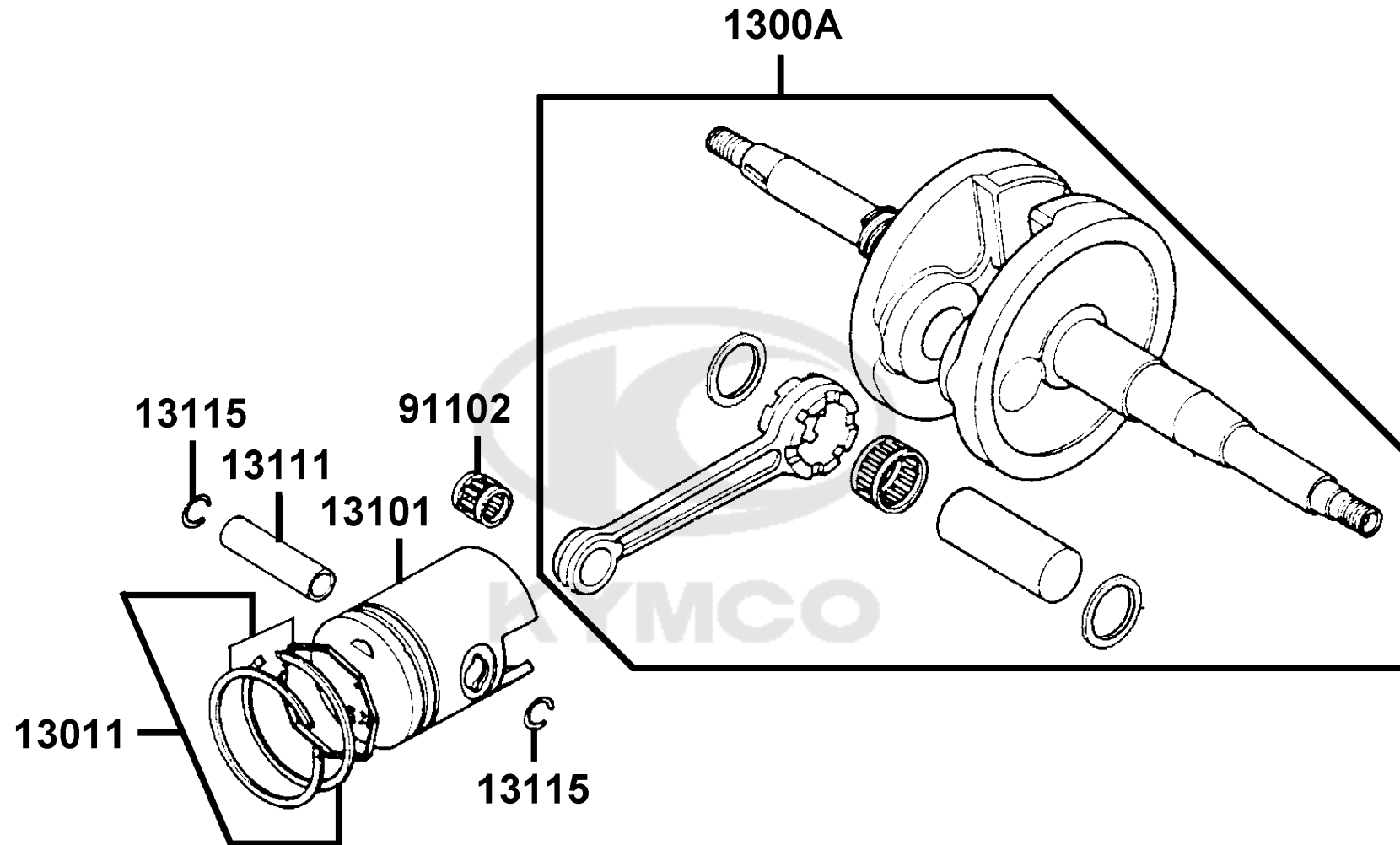
# Crankcase



Sales mark	Ref no	Part no	Description	Reg description	Regd no	<b>E09</b>
	91004-KBN2	91004-KBN2-C00	BRG BALL RADIAL 6201	BRG BALL RADIAL 6201	1	
	91004-KNBN	91004-KNBN-C00	BRG BALL RADIAL 6203 SPC	BRG BALL RADIAL 6203 SPC	1	
	91006	91006-KNBN-C00	BRG BALL RADIAL25*56*12	BRG BALL RADIAL25*56*12	1	
	91201	91201-KNBN-C00	OIL SEAL 15.6*25.5*7	OIL SEAL 15.6*25.5*7	1	
	91202	91202-KNBN-92A	OIL SEAL 20*31*7	OIL SEAL 20*31*7	1	
	91204	91204-KNBN-C00	OIL SEAL 17*30*6	OIL SEAL 17*30*6	1	
	93500	93500-05012-0H	BOLT M5*12(C)	BOLT M5*12(C)	2	
	94301	94301-10200	DOWEL PIN 10*20	DOWEL PIN 10*20	6	
	95701-08012	95701-08012-08	BOLT FLANGE 8*12 (C)	BOLT FLANGE 8*12 (C)	2	
	95701-08040	95701-08040-08	BOLT FLANGE 8*40 (C)	BOLT FLANGE 8*40 (C)	5	
	95801	95801-08035-08	BOLT FLANGE 8*35(C)	BOLT FLANGE 8*35(C)	2	
	96001-06025	96001-06025-08	BOLT FLANGE SH 6*25 (C)	BOLT FLANGE SH 6*25 (C)	3	
	96001-06032	96001-06032-08	BOLT FLANGE 6*32	BOLT FLANGE 6*32	1	
	96001-06045	96001-06045-08	BOLT FLANGE SH 6*45 (C)	BOLT FLANGE SH 6*45 (C)	3	
	96001-06055	96001-06055-08	BOLT FLANGE SH 6*55 (C)	BOLT FLANGE SH 6*55 (C)	3	
	96100	96100-62033-00	BEARING BALL RADIAL 6203	BEARING BALL RADIAL 6203	1	

E10

# Crankshaft PistonRing Assy Piston



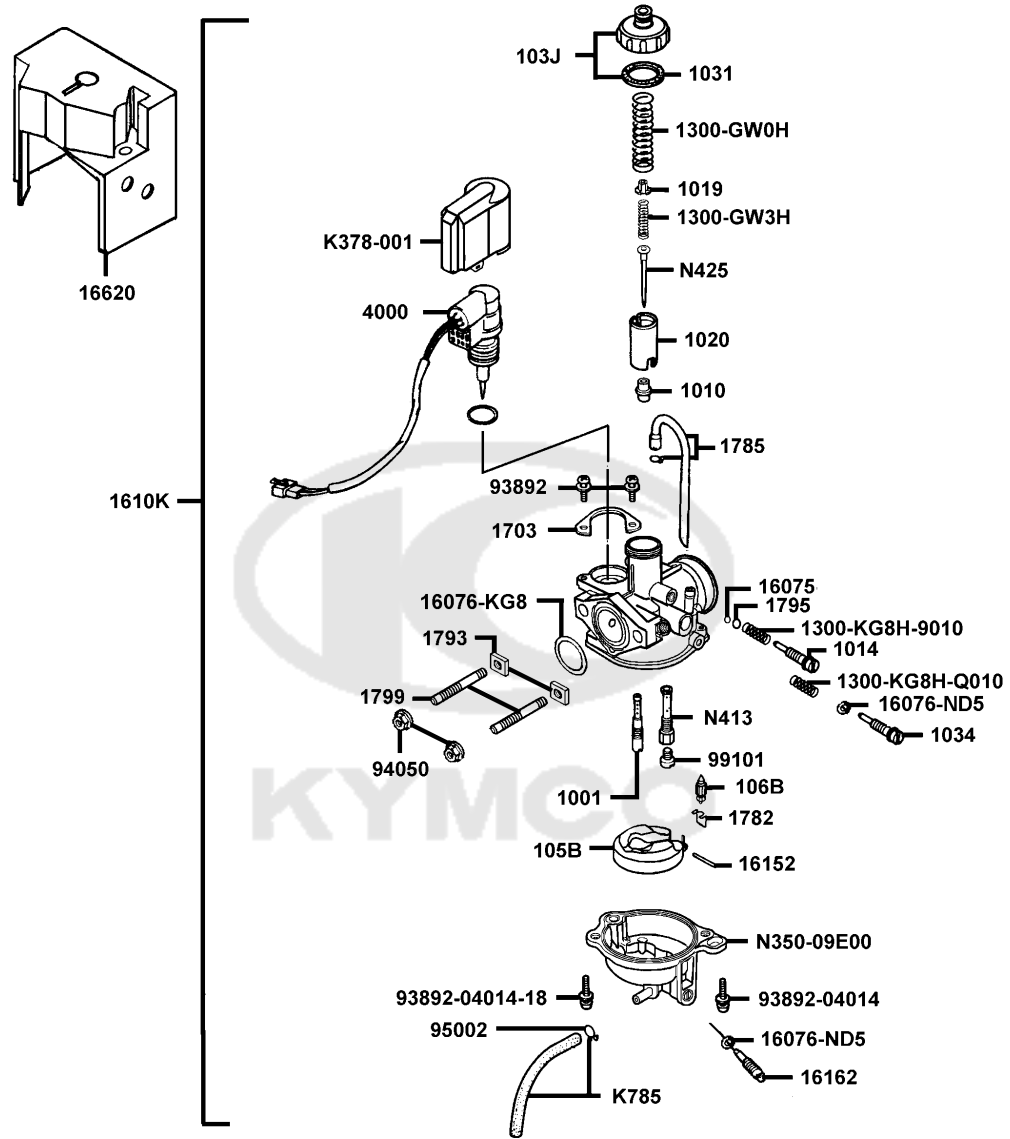


Sales mark	Ref no	Part no	Description	Reg description	Regd no	<b>E10</b>
	1300A	1300A-GKAK-C00	CRANK SHAFT ASSY	CRANK SHAFT ASSY	1	
	13011	13011-GLW0-C00	RING ASSY PISTON	RING ASSY PISTON	1	
	13101	13101-GLW0-901	PISTON	PISTON	1	
	13111	13111-1F66-C00	PIN PISTON	PIN PISTON	1	
	13115	13115-1F56-C00	CLIP PISTON PIN 12MM	CLIP PISTON PIN 12MM	1	
	91102	91102-GLW0-C00	BRG CON-ROD S.E	BRG CON-ROD S.E	1	



E11

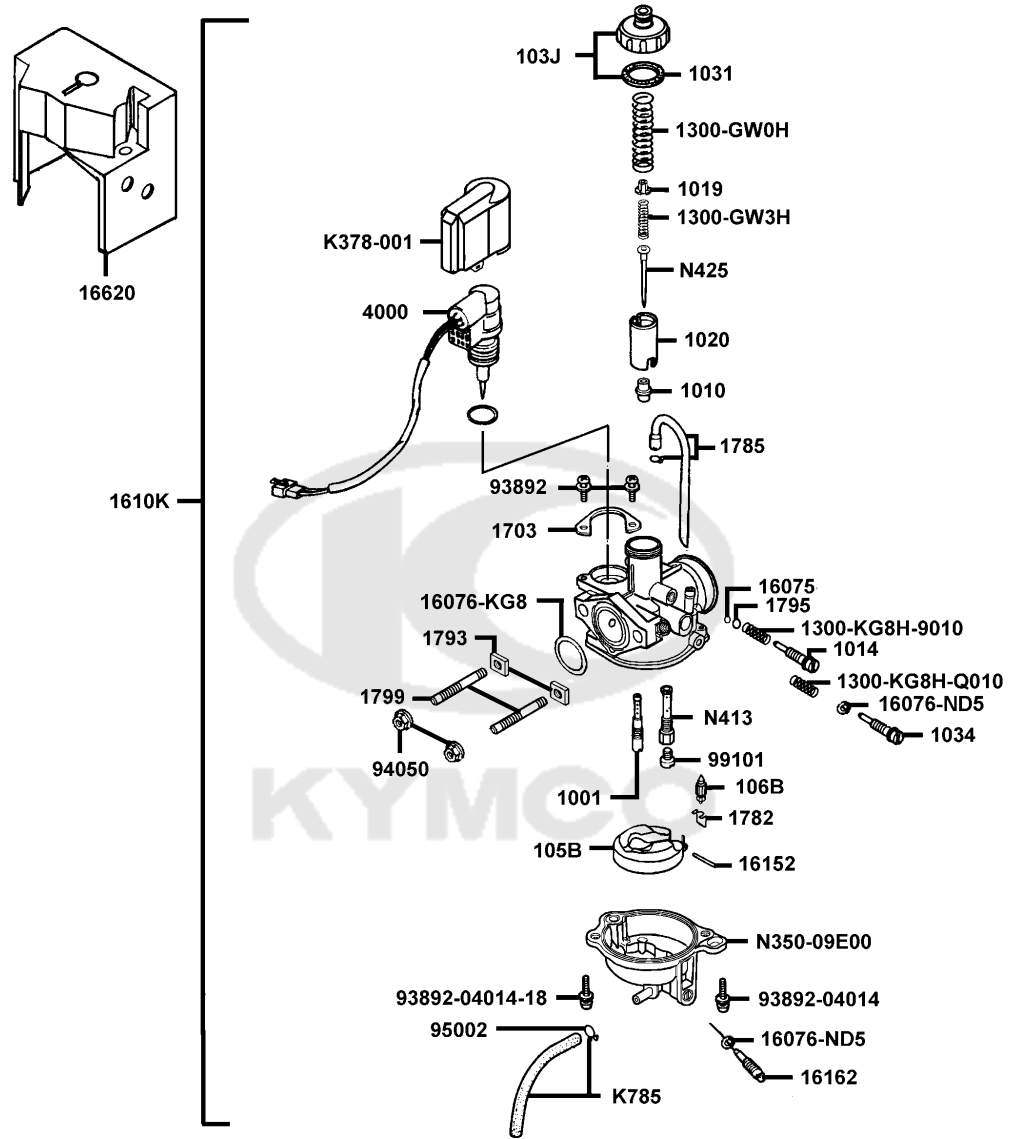
Carburetor



Sales mark	Ref no	Part no	Description	Reg description	Regd no	E11
	1001	1001-GC8H-0351	SLOW JET	SLOW JET	1	
	1010	1010-GAKH-9200	NEEDLE JET	NEEDLE JET	1	
	1014	1014-GAKH-9100	ADJUST SCREW	ADJUST SCREW	1	
	1019	1019-GW3H-9800	VALVE PLATE	VALVE PLATE	1	
	1020	1020-GAKH-9300	THROTTLE VALVE	THROTTLE VALVE	1	
	1031	1031-181H-8310	TOP GASKET	TOP GASKET	1	
	1034	1034-153H-9901	STOP SCREW	STOP SCREW	1	
	103J	103J-073H-9900-SB00	TOP SET	TOP SET	1	
	105B	105B-KBNH-9000	FLOAT COMP	FLOAT COMP	1	
	106B	106B-KG8H-9804	FLOAT VALVE COMP	FLOAT VALVE COMP	1	
	1300-GW0H	1300-GW0H-9000	SPG COMPR	SPG COMPR	1	
	1300-GW3H	1300-GW3H-Q800	SPG COMPR	SPG COMPR	1	
	1300-KG8H-9010	1300-KG8H-9010	COMPR SPG	COMPR SPG	1	
	1300-KG8H-Q010	1300-KG8H-Q010	COMPR SPG	COMPR SPG	1	
	16075	16075-KG8-9010-M1	O RING	O RING	1	
	16076-KG8	16076-KG8-9010-M1	O-RING	O-RING	1	
	16076-ND5	16076-ND5-0040	O RING	O RING	2	
	1610K	1610K-KFA6-E05	CARBURETOR ASSY	CARBURETOR ASSY	1	
	16152	16152-KG8-9010-M1	ARM PIN	ARM PIN	1	
	16162	16162-KG8-9010-M1	DRAIN SCREW PAN	DRAIN SCREW PAN	1	

E11

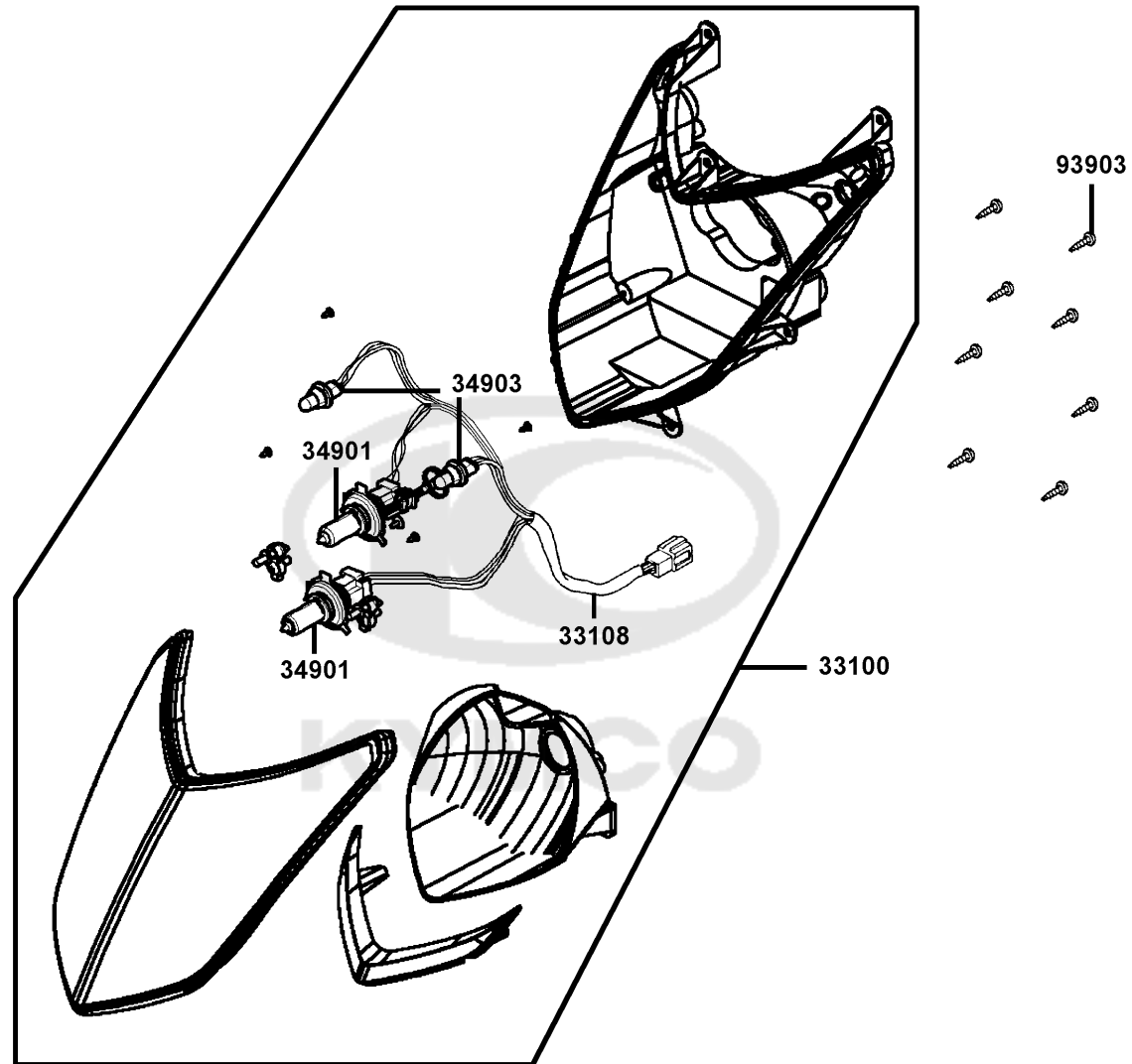
Carburetor




Sales mark	Ref no	Part no	Description	Reg description	Regd no	E11
16620		16620-LGR4-E10	CAP CARBURETOR	CAP CARBURETOR	2	
1703		1703-GJ2H-0040	SET PLATE	SET PLATE	1	
1782		1782-KG8H-9010	CLIP	CLIP	1	
1785		1785-KBNH-9000-SB00	TUBE SET (A.V)	TUBE SET (A.V)	1	
1793		1793-144H-9900	HEX NUT	HEX NUT	2	
1795		1795-KG8H-9010	WASHER PLAIN	WASHER PLAIN	1	
1799		1799-KBNH-9000	STUD BOLT	STUD BOLT	2	
4000		4000-077-0000	AUTO BYSTARTER SET	AUTO BYSTARTER SET	1	
93892-04008		93892-04008-18	SCREW WASHER	SCREW WASHER	2	
93892-04014		93892-04014-18	SCREW WASHER	SCREW WASHER	2	
94050		94050-06080	NUT FLANG 6MM	NUT FLANG 6MM	2	
95002		95002-02080	CLIP B8 TUBE	CLIP B8 TUBE	1	
99101		99101-116-0700	MAIN JET	MAIN JET	1	
K378		K378-001	CAP ASSY	CAP ASSY	1	
K785		K785-KEB-0300	TUBE SET (DRAIN)	TUBE SET (DRAIN)	1	
N350		N350-09E00	FLOAT CHAMBER COMP	FLOAT CHAMBER COMP	1	
N413		N413-32A00	NEEDLE JET HOLDER	NEEDLE JET HOLDER	1	
N425		N425-2RFMJ	JET NEEDLE COMP	JET NEEDLE COMP	1	

F01

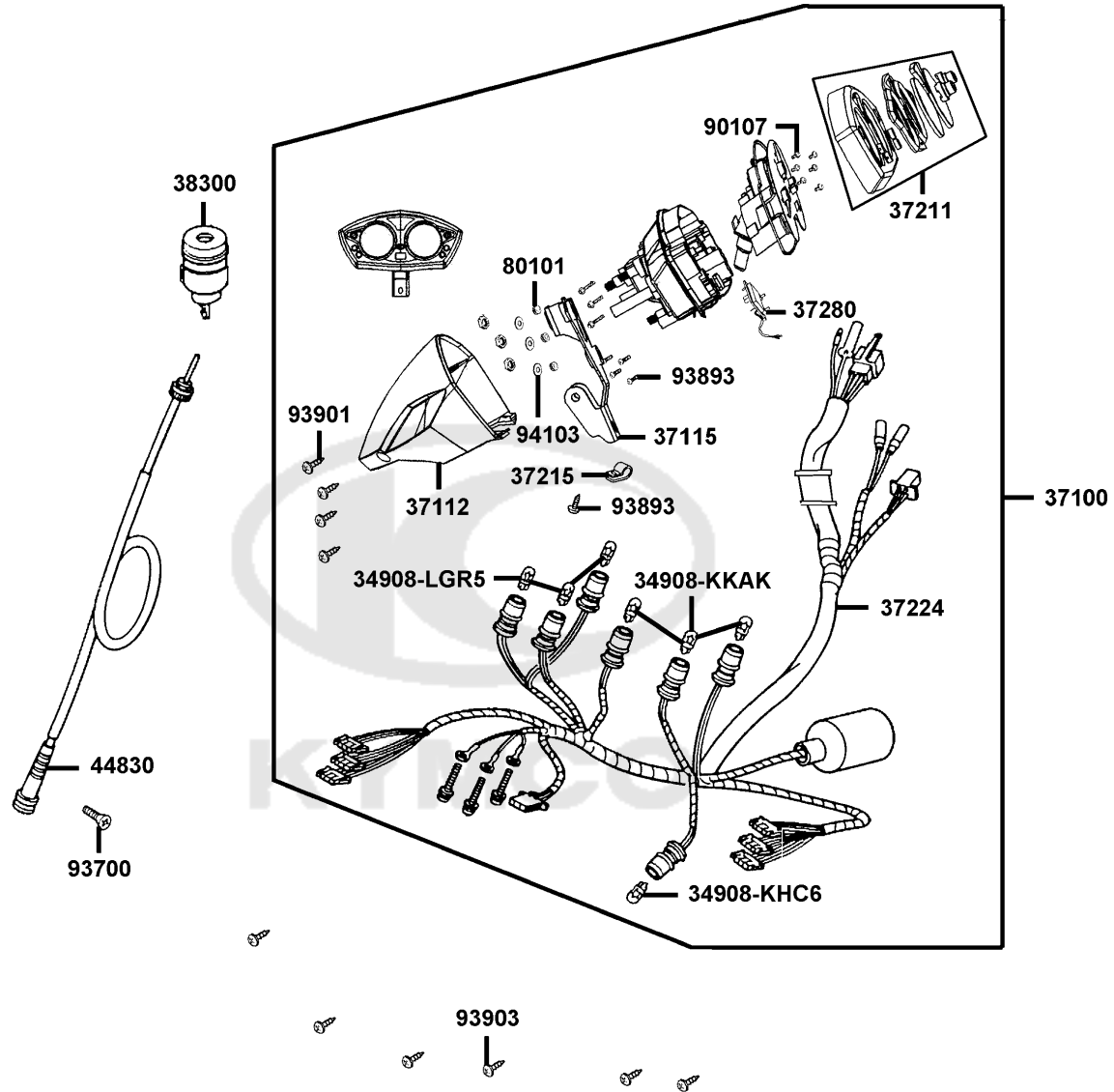
# Head Light



Sales mark	Ref no	Part no	Description	Reg description	Regd no	<b>F01</b>
	33100	33100-LHM9-E60	LIGHT ASSY HEAD	LIGHT ASSY HEAD	1	
	33108	33108-LGB5-E10	SOCKET COMP HEAD LIGHT	SOCKET COMP HEAD LIGHT	1	
	34901	34901-LDC8-E10	BULB HEAD LIGHT	BULB HEAD LIGHT	2	
	34903	34903-LDC8-E10	BULB POSITON	BULB POSITON	2	
	93903	93903-35220	SCREW TAPPING 5*12	SCREW TAPPING 5*12	8	
						

F02

Speedometer

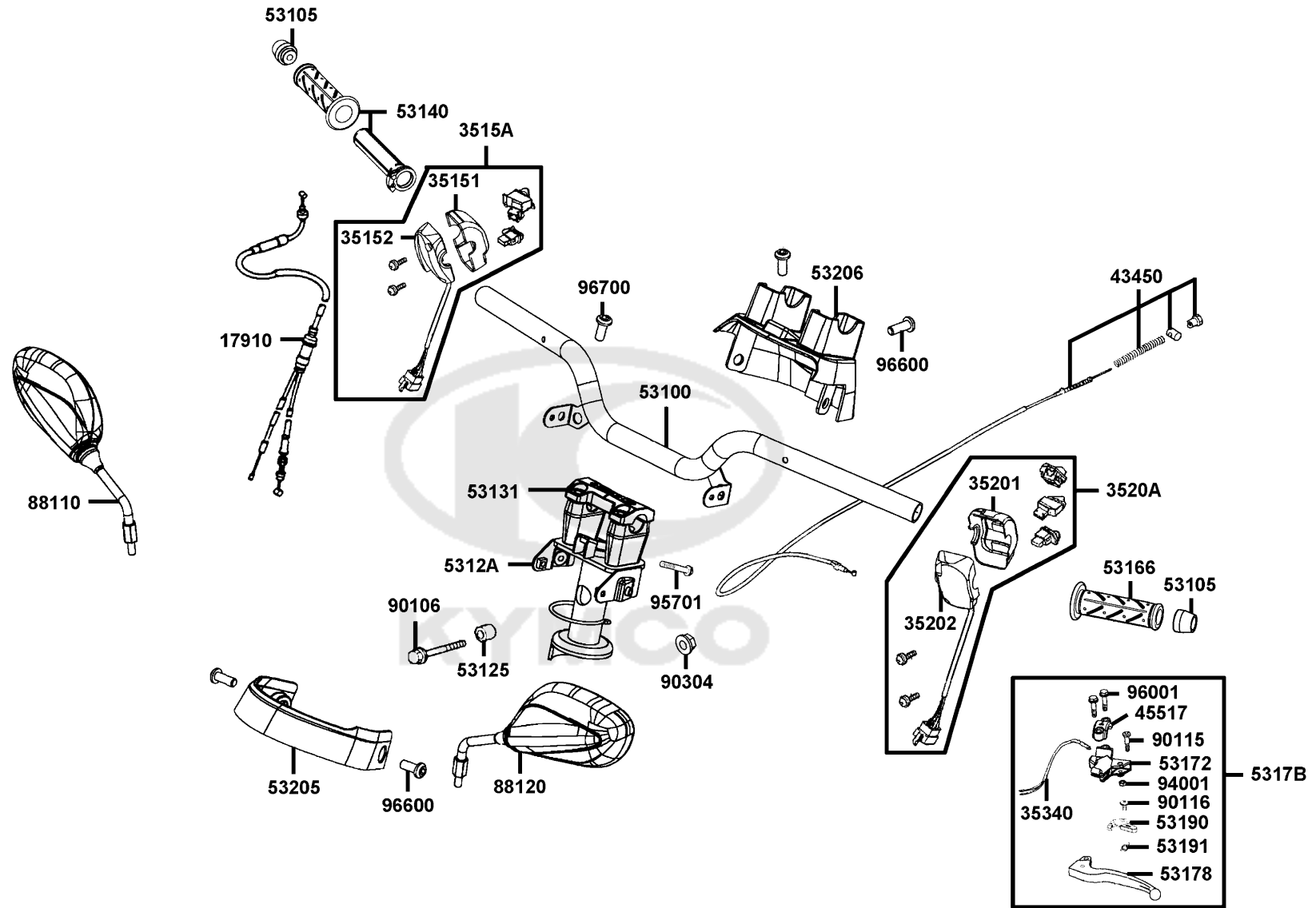




Sales mark	Ref no	Part no	Description	Reg description	Regd no	F02
	34908-KHC6	34908-KHC6-C00	BULB WEDGE BASE T5	BULB WEDGE BASE T5	1	
	34908-KKAK	34908-KKAK-C00	BULB WEDGE BASE T6.5	BULB WEDGE BASE T6.5	1	
	34908-LGR5	34908-LGR5-E00	BULB WEDGE BASE 12V 2W	BULB WEDGE BASE 12V 2W	1	
	37100	37100-LHM9-E60	METER ASSY SP & FUEL & RPM	METER ASSY SP & FUEL & RPM	1	
	37112	37112-LHM9-E60	COVER METER	COVER METER	1	
	37115	37115-LHM9-E60	STAY METER	STAY METER	1	
	37211	37211-LHM9-E60	LENS COMP METER	LENS COMP METER	1	
	37215	37215-KAR1-C00	CLAMP	CLAMP	1	
	37224	37224-LHM9-E60	SOCKET COMP METER	SOCKET COMP METER	1	
	37280	37280-LHM9-E10	LCD ASSY (LOCK)	LCD ASSY (LOCK)	1	
	38300	38300-LFC8-C10	RELAY ASSY WINKER	RELAY ASSY WINKER	1	
	44830	44830-LHM9-E60	CABLE COMP SPDMT	CABLE COMP SPDMT	1	
	80101	80101-2C83-C00	RUBBER RR FENDER	RUBBER RR FENDER	1	
	90107	90107-GHC8-000	SCREW BIND 2.3*7	SCREW BIND 2.3*7	1	
	93700	93700-05018-0H	SCREW OVAL 5*18 ?	SCREW OVAL 5*18 ?	1	
	93893	93893-04014-08	SCREW WASHER 4*14	SCREW WASHER 4*14	1	
	93901-34320	93901-34320	SCREW TAPPING	SCREW TAPPING	1	
	93903-34380	93903-34380	BOLT FLANGE	BOLT FLANGE	6	
	94103	94103-LHM9-E10	SPECIAL WASHER	SPECIAL WASHER	1	

F03

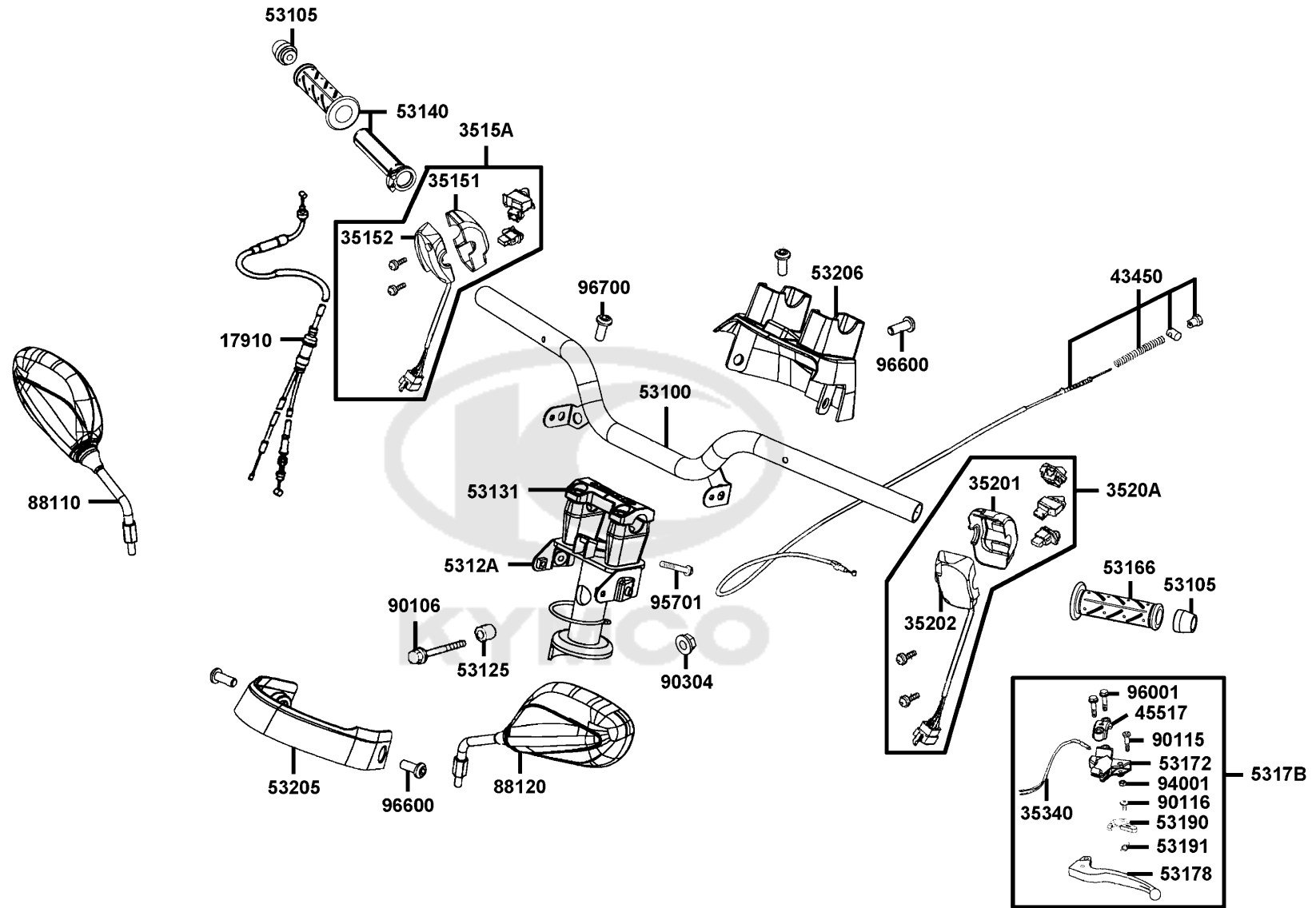
# Handle Steering Handle Cover



Sales mark	Ref no	Part no	Description	Reg description	Regd no	F03
	17910	17910-LHM9-E10	CABLE COMP THROT	CABLE COMP THROT	1	
	35151	35151-LHM9-E60	FR CASE RH.HANDLE COMP SW	FR CASE RH.HANDLE COMP SW	1	
	35152	35152-LHM9-E60	RR CASE RH.HANDLE COMP SW	RR CASE RH.HANDLE COMP SW	1	
	3515A	3515A-LHM9-E60	SW ASSY RH HANDLE COMP	SW ASSY RH HANDLE COMP	1	
	35201	35201-LHM9-E60	FR CASE LH HANDLE COMP SW	FR CASE LH HANDLE COMP SW	1	
	35202	35202-LHM9-E60	RR CASE LH HANDLE COMP SW	RR CASE LH HANDLE COMP SW	1	
	3520A	3520A-LHM9-E60	SW ASSY LH HANDLE COMP	SW ASSY LH HANDLE COMP	1	
	35340	35340-LHM9-E60	SW ASSY FR STOP	SW ASSY FR STOP	1	
	43450	43450-LHM9-E10	CABLE COMP RR BRK	CABLE COMP RR BRK	1	
	45517	45517-GFY6-900	HOLDER HNDL BRKT	HOLDER HNDL BRKT	1	
	53100	53100-LHM9-E60	HANDLE COMP STEERING	HANDLE COMP STEERING	1	
	53105	53105-KNBN-C00	END STRG HANDLE	END STRG HANDLE	1	
	53125	53125-GEN5-C00	COLLAR HANDLE SET	COLLAR HANDLE SET	1	
	5312A	5312A-LHM9-E60	HOLDER COMP HANDLE	HOLDER COMP HANDLE	1	
**	53131	53131-LHM9-E60	HOLDER UPPER HANDLE PIPE	HOLDER UPPER HANDLE PIPE	1	
**	53140	53140-KNBN-C00	GRIP COMP THROT	GRIP COMP THROT	1	
**	53166	53166-KNBN-C00	GRIP L HANDLE	GRIP L HANDLE	1	
	53172	53172-LHM9-E60	BRKT HNDL L	BRKT HNDL L	1	
	53178	53178-LGB5-E10	LEVER L STRG HANDLE	LEVER L STRG HANDLE	1	
**	5317B	5317B-LHM9-E60	BRKT ASSY HNDL LH	BRKT ASSY HNDL LH	1	

F03

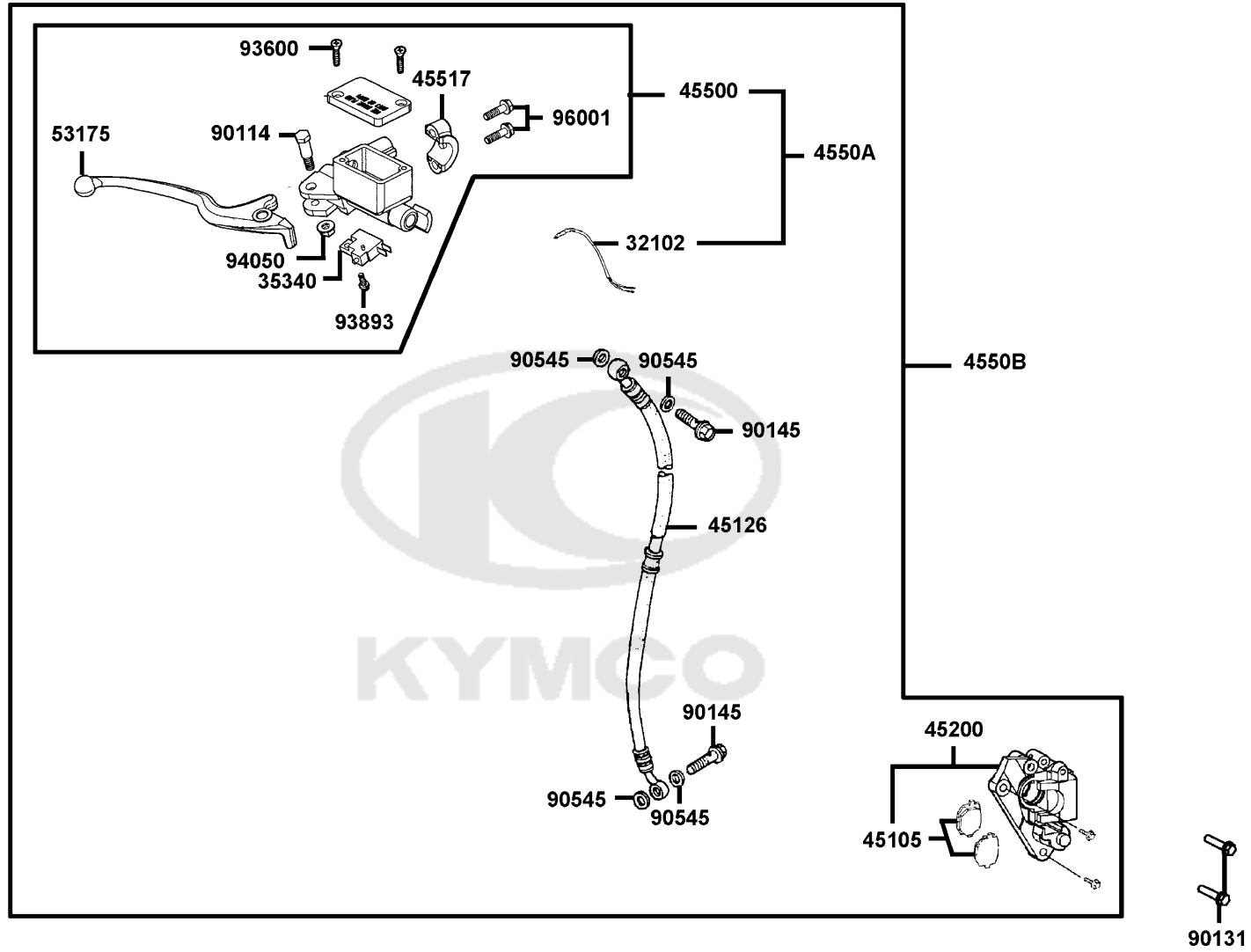
# Handle Steering Handle Cover



Sales mark	Ref no	Part no	Description	Reg description	Regd no	<b>F03</b>
	53190	53190-GFY6-C00	LEVER COMP P/BRK	LEVER COMP P/BRK	1	
	53191	53191-GFY6-C00	SPG PKB LEVER	SPG PKB LEVER	1	
**	53205	53205-LHM9-E60	COVER NECK FR.	COVER NECK FR.	1	
**	53206	53206-LHM9-E60	COVER NECK RR.	COVER NECK RR.	1	
**	88110	88110-LEB5-C11	MIRROR ASSY R BACK	MIRROR ASSY R BACK	1	
**	88120	88120-LEB5-C11	MIRROR ASSY L BACK	MIRROR ASSY L BACK	1	
	90106	90106-GEN5-901	BOLT FLANGE 10*50	BOLT FLANGE 10*50	1	
	90115	90115-GLE0-C00	BOLT HNDL LEVER PIVOT	BOLT HNDL LEVER PIVOT	1	
	90116	90116-GGS7-C00	SCREW P/BRK LEVER PIVOT	SCREW P/BRK LEVER PIVOT	1	
	90304	90304-GHE8-C00	NUT U 10MM (C)	NUT U 10MM (C)	1	
	94001	94001-05080-0S	NUT HEX 5MM (C)	NUT HEX 5MM (C)	1	
	95701-06032	95701-06032-08	BOLT FLANGE 6*32(C)	BOLT FLANGE 6*32(C)	1	
	96001	96001-06025-02	BOLT FLANGE SH 6*25	BOLT FLANGE SH 6*25	2	
	96600	96600-LHM9-E60	BOLT SPECIAL	BOLT SPECIAL	3	
	96700	96700-LHM9-E60	BOLT SOCKET 8X30 (B)	BOLT SOCKET 8X30 (B)	4	

F04

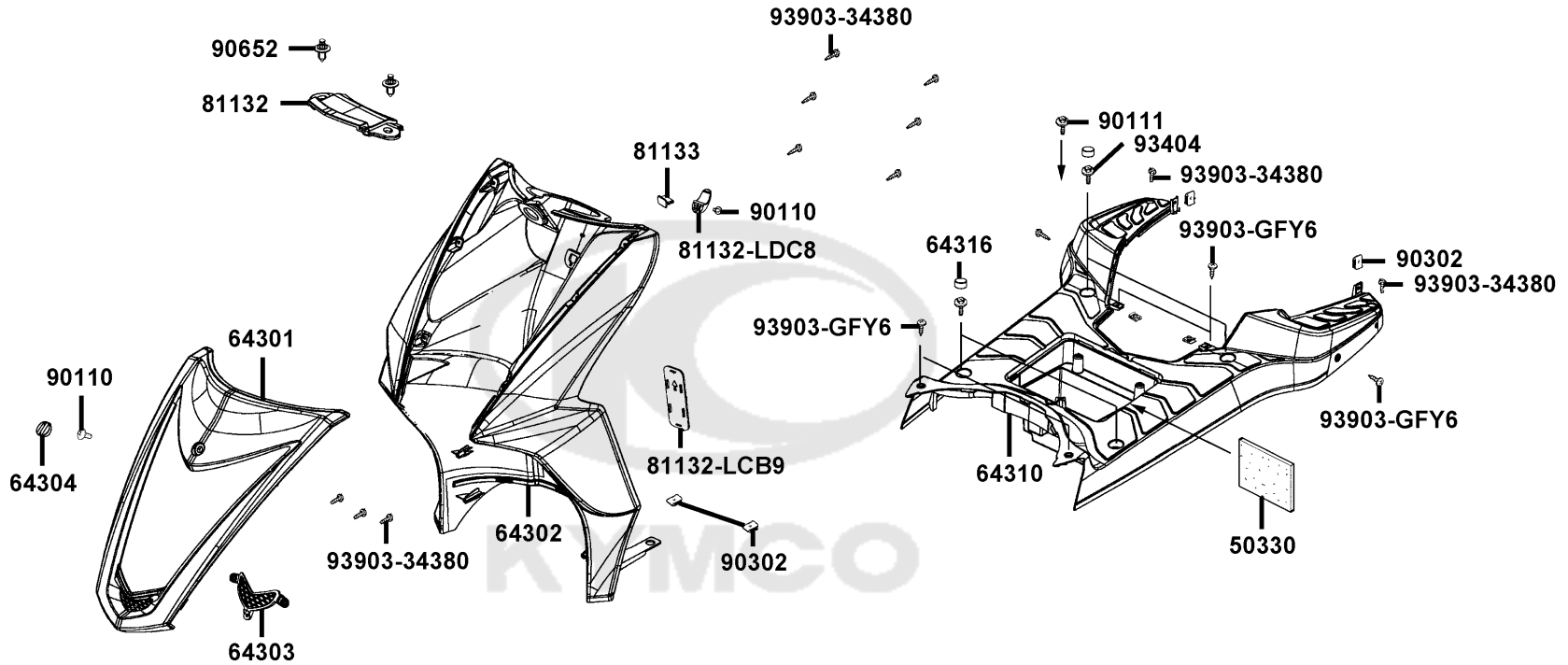
# Brake Master Cylinder



Sales mark	Ref no	Part no	Description	Reg description	Regd no	F04
	32102	32102-LHM9-E60	SUB CORD LH FR STOP SW	SUB CORD LH FR STOP SW	1	
	35340	35340-KNBN-901	SW ASSY FR STOP	SW ASSY FR STOP	1	
	45105	45105-LDC8-305	PAD COMPA+B	PAD COMPA+B	1	
	45126	45126-LHM9-E60	HOSE ASSY FR BRK	HOSE ASSY FR BRK	1	
**	45200	45200-LGB5-E10	CALIPER ASSY L FR	CALIPER ASSY L FR	1	
	45500	45500-LDC8-E10	M/C ASSY FR	M/C ASSY FR	1	
	4550A	4550A-LHM9-E60	SUB HARNESS SET FR M/C	SUB HARNESS SET FR M/C	1	
	4550B	4550B-LHM9-E60	SUB ASSY FR BRK	SUB ASSY FR BRK	1	
	45517	45517-KFAF-910	HOLDER M/C	HOLDER M/C	1	
**	53175	53175-LDC8-E10	LEVER R STRG HNDL	LEVER R STRG HNDL	1	
	90114	90114-1F66-C00	BOLT HANDLE LEVER	BOLT HANDLE LEVER	1	
	90131	90131-GLW0-C00	BOLT FLANGE 8*35	BOLT FLANGE 8*35	1	
	90145	90145-9A61-C00	OIL BOLT 10*22	OIL BOLT 10*22	1	
	90545	90545-3L00-C00	WASHER OIL BOLT	WASHER OIL BOLT	1	
	93600	93600-04012-1G	SCREW FLAT 4*12 (K)	SCREW FLAT 4*12 (K)	2	
	93893	93893-04012-08	SCREW WASHER 4*12 (C)	SCREW WASHER 4*12 (C)	1	
	94050	94050-06070	NUT FLANGE 6MM(K)	NUT FLANGE 6MM(K)	1	
	96001	96001-06025-00	BOLT FLANGE SH 6*25	BOLT FLANGE SH 6*25	2	

F05

Front Cover

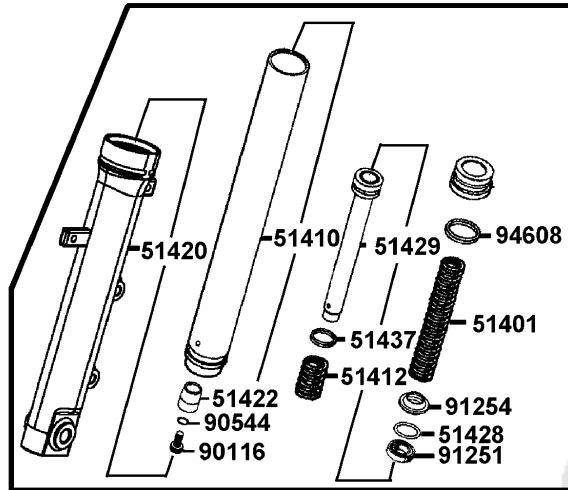




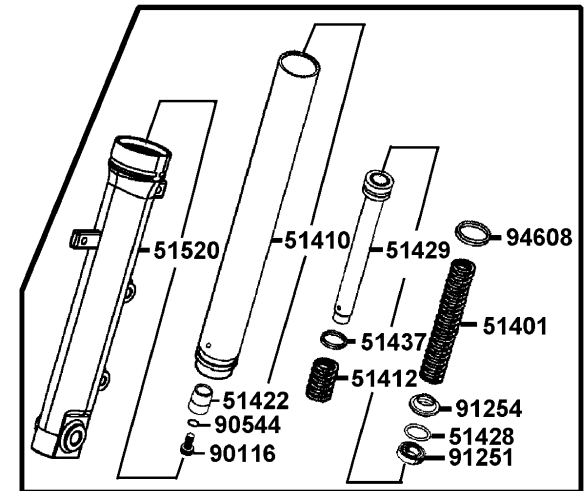
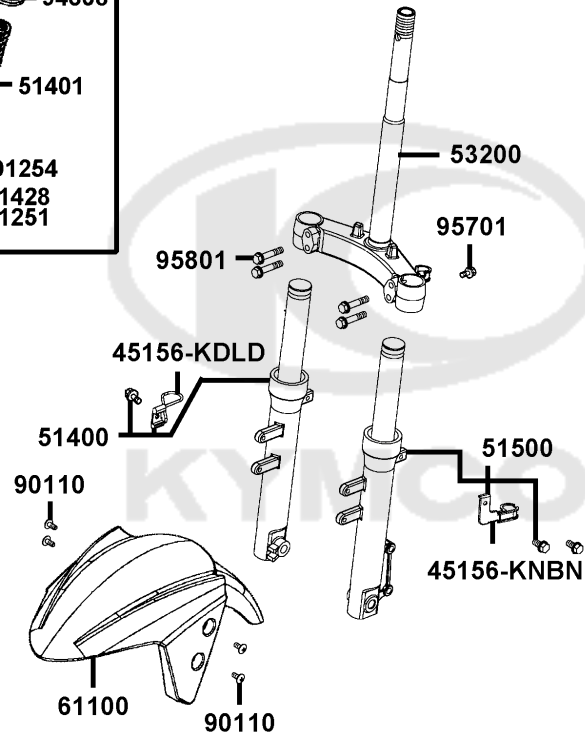
Sales mark	Ref no	Part no	Description	Reg description	Regd no	<b>F05</b>
	50330	50330-KEBE-C00	SEAL BATTERY FRONT	SEAL BATTERY FRONT	1	
**	64301	64301-LGB5-E10	COVERT FRONT	COVERT FRONT	1	
**	64302	64302-LGB5-E10	MOLDING FRONT	MOLDING FRONT	1	
**	64303	64303-LGB5-E10	GRILL FRONT	GRILL FRONT	1	
	64304	64304-LGB5-E10	CAP FRONT COVER	CAP FRONT COVER	1	
**	64310	64310-LGB5-E10	FLOOR PANEL	FLOOR PANEL	1	
**	64316	64316-LCB9-C10	PLUG FLOOR	PLUG FLOOR	4	
	81132-LCB9	81132-LCB9-C10	LID LEG SHIELD	LID LEG SHIELD	1	
	81132-LDC8	81132-LDC8-E10	HOOK LUGGAGE	HOOK LUGGAGE	1	
**	81132-LHM9	81132-LHM9-E60	CAP LEG SHIELD	CAP LEG SHIELD	1	
	81133	81133-KNBN-C00	STOPPER LUGGAGENH268	STOPPER LUGGAGENH268	1	
	90110	90110-GLW0-C00	SCREW SPECIAL 6*14	SCREW SPECIAL 6*14	1	
	90111	90111-1G87-C00	BOLT FLANGE 6MM	BOLT FLANGE 6MM	1	
	90302	90302-SDA4-C00	NUT SPRING 4MM	NUT SPRING 4MM	1	
	90652	90652-LFB5-900	CLIPMUDGUARD	CLIPMUDGUARD	2	
	93404	93404-06020-07	BOLT WASHER 6*20(K)	BOLT WASHER 6*20(K)	4	
	93903-34380	93903-34380	BOLT FLANGE	BOLT FLANGE	11	
	93903-GFY6	93903-GFY6-C00	SCREW TAPPING 4*14	SCREW TAPPING 4*14	1	

F06

# Stem Steering Front Cushion



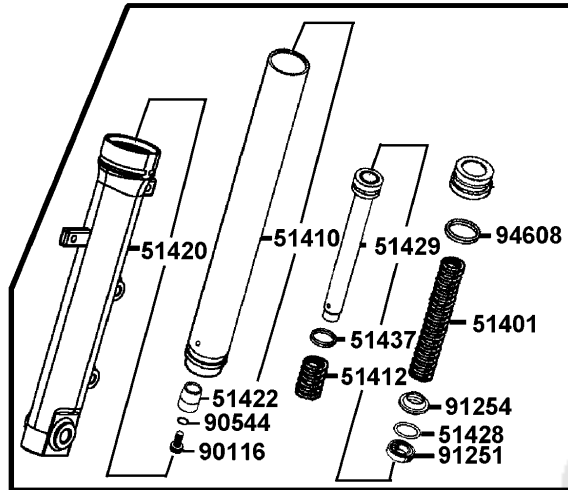
- 50306
- 53211
- 91014
- 91015
- 53212
- 53215
- 53214



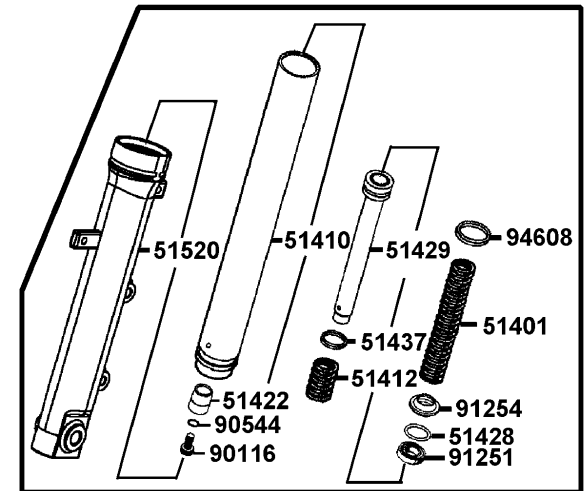
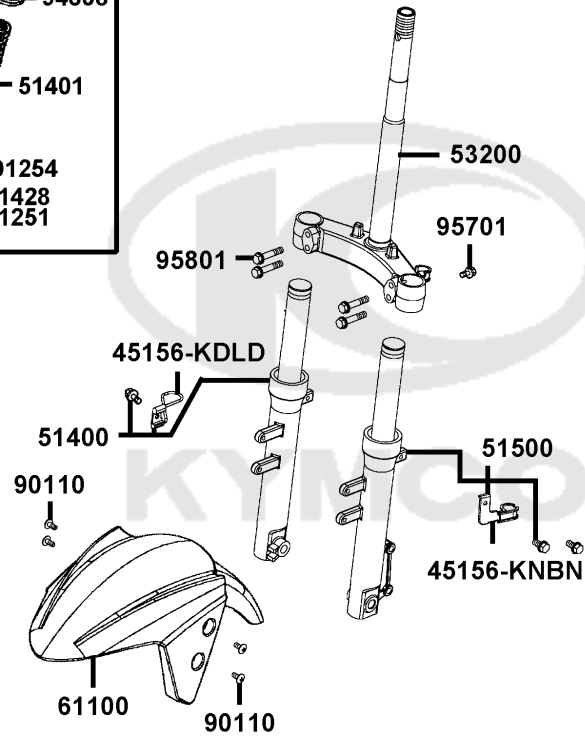
Sales mark	Ref no	Part no	Description	Reg description	Regd no	F06
	45156-KDLD	45156-KDLD-C00	CLAMPER FR BRK HOSE	CLAMPER FR BRK HOSE	1	
	45156-KNBN	45156-KNBN-C00	CLAMPER FR BRAKE HOSE	CLAMPER FR BRAKE HOSE	1	
	50306	50306-1F96-C00	NUT STRG STEM LOCK	NUT STRG STEM LOCK	1	
**	51400	51400-LGB5-E10	FORK ASSY FR R	FORK ASSY FR R	1	
	51401	51401-LDC8-E10	SPRING	SPRING	1	
	51410	51410-LDC8-E10	FORK PIPE COMP	FORK PIPE COMP	1	
	51412	51412-LDC8-E10	REBOUND SPRING	REBOUND SPRING	1	
**	51420	51420-LDF7-E10	BOTTOM CASE R	BOTTOM CASE R	1	
	51422	51422-LDC8-E10	OIL LOCK PIECE	OIL LOCK PIECE	1	
	51428	51428-LDC8-E10	OIL SEAL STOPPER RING	OIL SEAL STOPPER RING	1	
	51429	51429-LGB5-E10	PIPE SEAT	PIPE SEAT	1	
	51437	51437-LDC8-E10	PISTON RING	PISTON RING	1	
**	51500	51500-LGB5-E10	FORK ASSY FR L	FORK ASSY FR L	1	
**	51520	51520-LDF7-E10	BOTTOM CASE L	BOTTOM CASE L	1	
	53200	53200-LDC8-E91	STEM COMP STRG	STEM COMP STRG	1	
	53211	53211-GFY6-C00	RACE STRG TOP CONE	RACE STRG TOP CONE	1	
	53212	53212-2L50-C00	RACE (STRG BOTTOM) CONE	RACE (STRG BOTTOM) CONE	1	
	53214	53214-2L50-C00	DUST SEAL STRG HEAD	DUST SEAL STRG HEAD	1	
	53215	53215-2L50-C00	WASHER STRG HDL DUST-SEAL	WASHER STRG HDL DUST-SEAL	1	
**	61100	61100-LGB5-E10	FENDER FR	FENDER FR	1	

F06

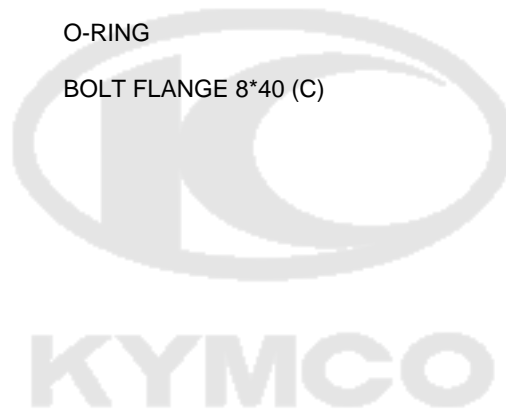
# Stem Steering Front Cushion



- 50306
- 53211
- 91014
- 91015
- 53212
- 53215
- 53214



Sales mark	Ref no	Part no	Description	Reg description	Regd no	<b>F06</b>
	90110	90110-KEB7-C00	SCREW SPECIAL 6*14	SCREW SPECIAL 6*14	1	
	90116	90116-LDC8-E10	BOLT	BOLT	1	
	90544	90544-LDC8-E10	PACKING	PACKING	1	
	91014	91014-LLJ3-C00	CAGE STRG TOPP	CAGE STRG TOPP	1	
	91015	91015-LLJ3-C00	CAGE STRG BOT	CAGE STRG BOT	1	
	91251	91251-LDC8-E10	OIL SEAL	OIL SEAL	1	
	91254	91254-LDC8-E10	DUST SEAL	DUST SEAL	1	
	94608	94608-LDC8-E10	O-RING	O-RING	1	
	95801	95801-08040-08	BOLT FLANGE 8*40 (C)	BOLT FLANGE 8*40 (C)	4	



F07

Front Wheel

44306



90306



44800



44600

44710

42753

44601

44650

91258

44620

90754

90912

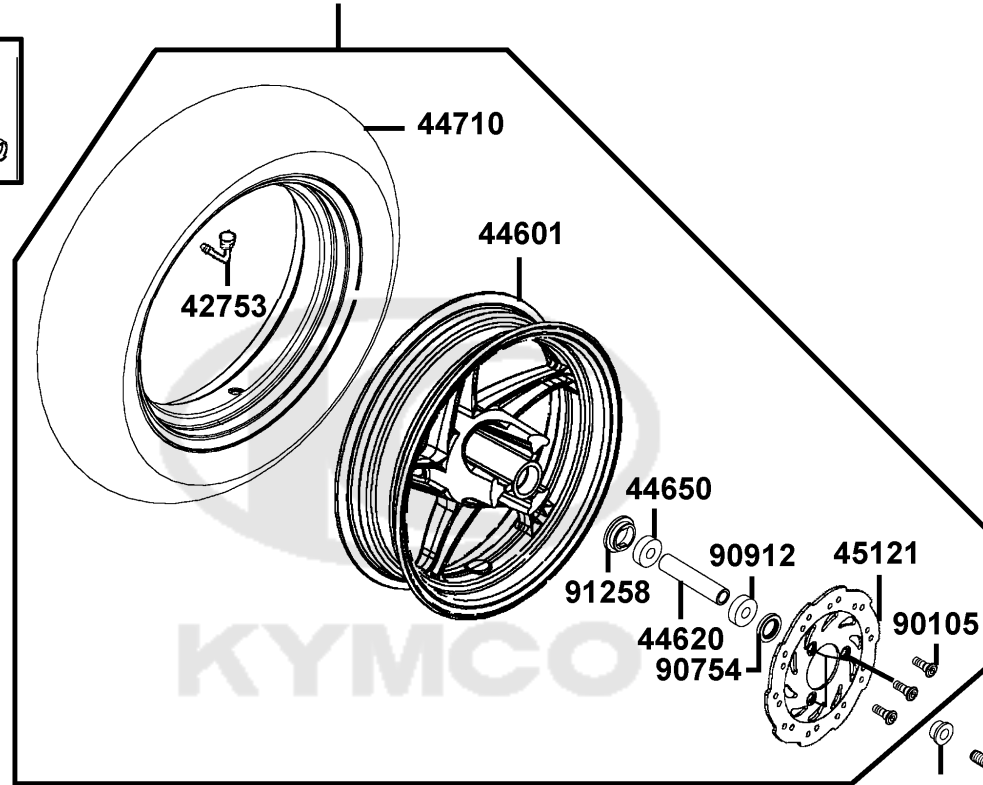
45121

90105

44311

90121

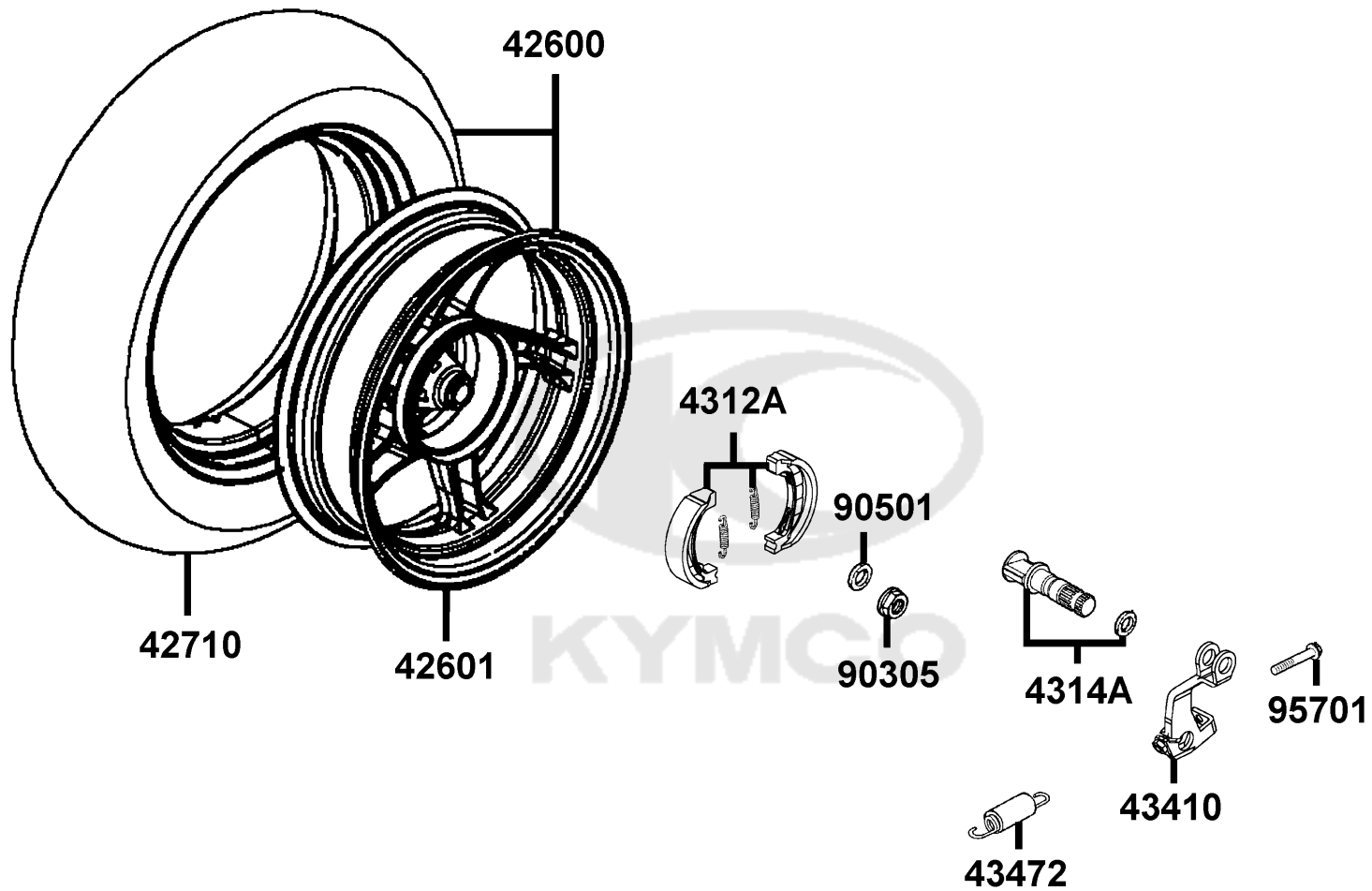
44305



Sales mark	Ref no	Part no	Description	Reg description	Regd no	F07
	42753	42753-0A01-C00	CAP VALVE	CAP VALVE	1	
	44305	44305-KGE2-E00	AXLE FR WHEEL PROTECT CAP L	AXLE FR WHEEL PROTECT CAP L	1	
	44306	44306-KGE2-E00	AXLE FR WHEEL PROTECT CAP R	AXLE FR WHEEL PROTECT CAP R	1	
	44311	44311-GLW0-W10	COLLAR FR WHEEL SIDE	COLLAR FR WHEEL SIDE	1	
**	44600	44600-LGB5-E81	WHEEL ASSY FR	WHEEL ASSY FR	1	
**	44601	44601-LGB5-E10	WHEEL COMP FR CAST	WHEEL COMP FR CAST	1	
	44620	44620-KEB7-E00	WHEEL FR CAST	WHEEL FR CAST	1	
	44650	44650-LGB5-3150	WHEEL SET FR	WHEEL SET FR	1	
	44710	44710-LDC8-E11	TIRE ASSYFR	TIRE ASSYFR	1	
	44800	44800-LDC8-E10	GEAR BOX ASSY	GEAR BOX ASSY	1	
	45121	45121-LGB5-E80	DISK FR BRAKE	DISK FR BRAKE	1	
	90105	90105-KCR3-001	BOLT FR DISK 8*24	BOLT FR DISK 8*24	3	
	90121	90121-KBE2-C00	BOLT RR FORK PIVOT	BOLT RR FORK PIVOT	1	
	90306	90306-KLF0-C00	NUT FLANGE 12MM	NUT FLANGE 12MM	1	
	90754	90754-GHC8-C00	DUST SEAL 20*32*5	DUST SEAL 20*32*5	1	
	90912	90912-GHC8-C00	BEARING 6201 (U) (NTN)	BEARING 6201 (U) (NTN)	1	
	91258	91258-KAM1-C00	SEAL SPDMT GEAR BOX	SEAL SPDMT GEAR BOX	1	

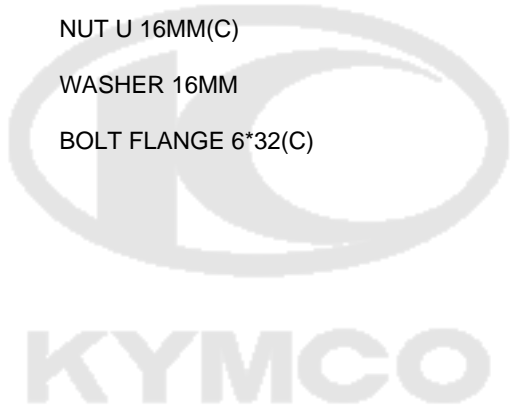
F08

Rear Wheel



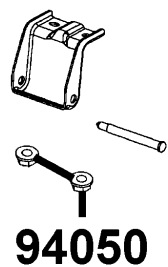
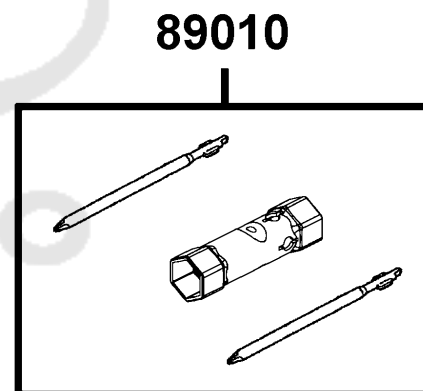
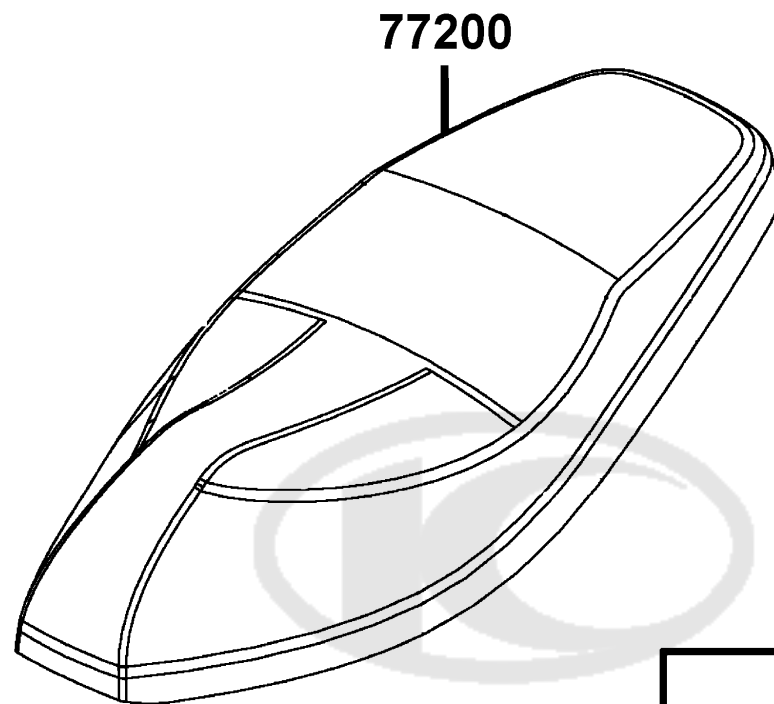


Sales mark	Ref no	Part no	Description	Reg description	Regd no	F08
**	42600	42600-LGB5-E11	WHEEL ASSY RR	WHEEL ASSY RR	1	
**	42601	42601-LGB5-E10	WHEEL CAST RR	WHEEL CAST RR	1	
	42710	42710-LDC8-E11	TIRE ASSY RR	TIRE ASSY RR	1	
	4312A	4312A-KXCX-C00	SHOE ASSY RR BRAKE	SHOE ASSY RR BRAKE	1	
	4314A	4314A-KKD6-E00	CAM ASSY RR BRAKE	CAM ASSY RR BRAKE	1	
	43410	43410-KFA1-C00	ARM RR BRK	ARM RR BRK	1	
	43472	43472-KHG8-C00	SPG RR BRK ARM	SPG RR BRK ARM	1	
	90305	90305-KNBN-C00	NUT U 16MM(C)	NUT U 16MM(C)	1	
	90501	90501-KNBN-C00	WASHER 16MM	WASHER 16MM	1	
	95701-06032	95701-06032-08	BOLT FLANGE 6*32(C)	BOLT FLANGE 6*32(C)	1	



F09

Seat



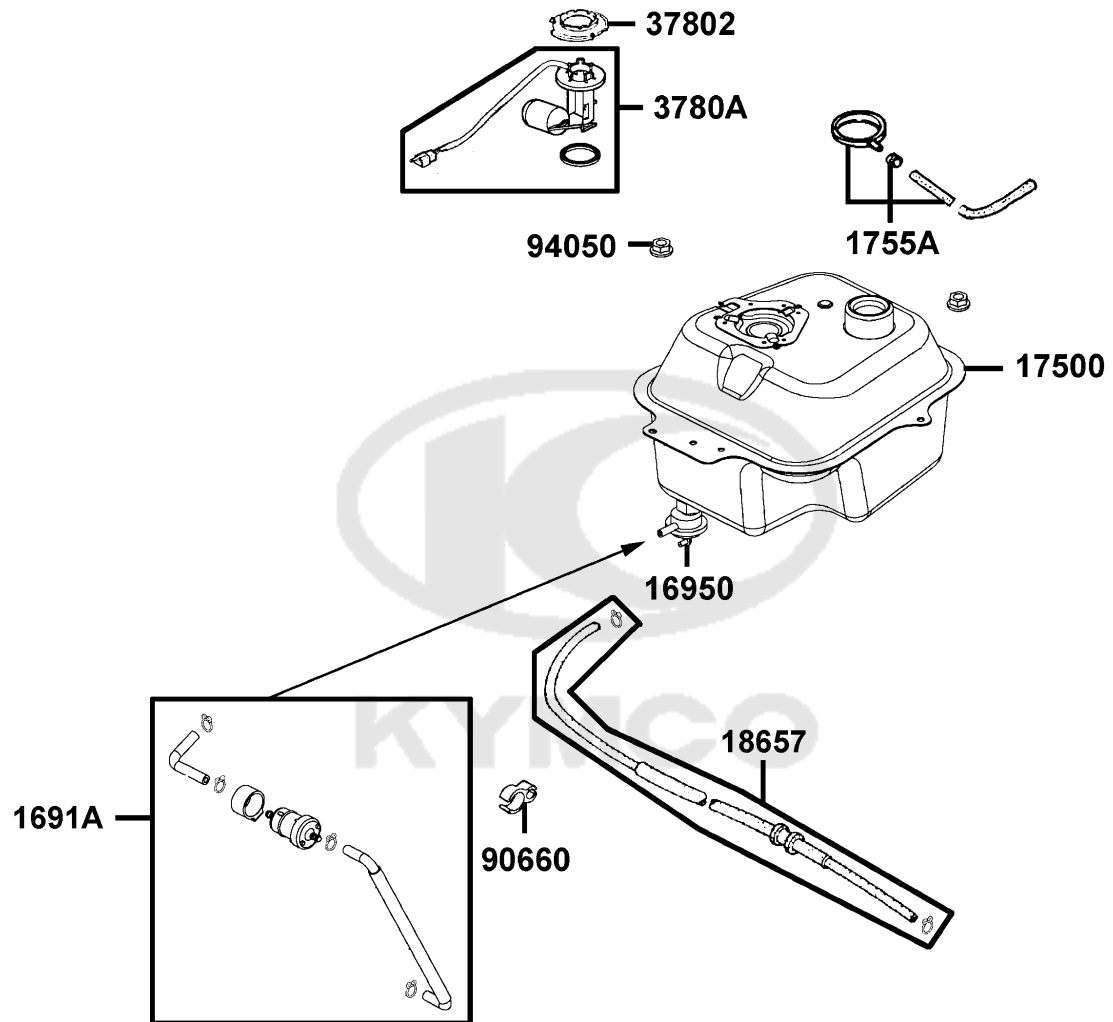
Sales mark	Ref no	Part no	Description	Reg description	Regd no	<b>F09</b>
------------	--------	---------	-------------	-----------------	---------	------------

77200		77200-LGB6-E10	SEAT ASSY	SEAT ASSY	1	
89010		89010-KGBG-C00	TOOL SET	TOOL SET	1	
94050		94050-06080	NUT FLANG 6MM	NUT FLANG 6MM	2	

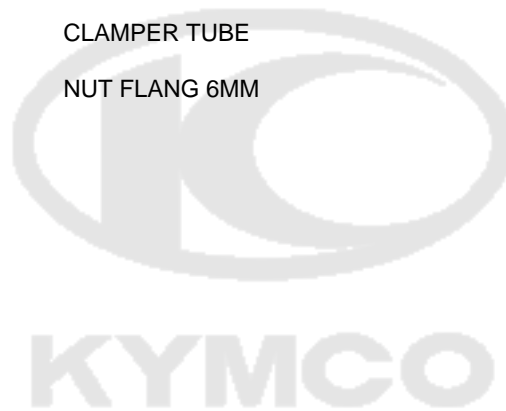


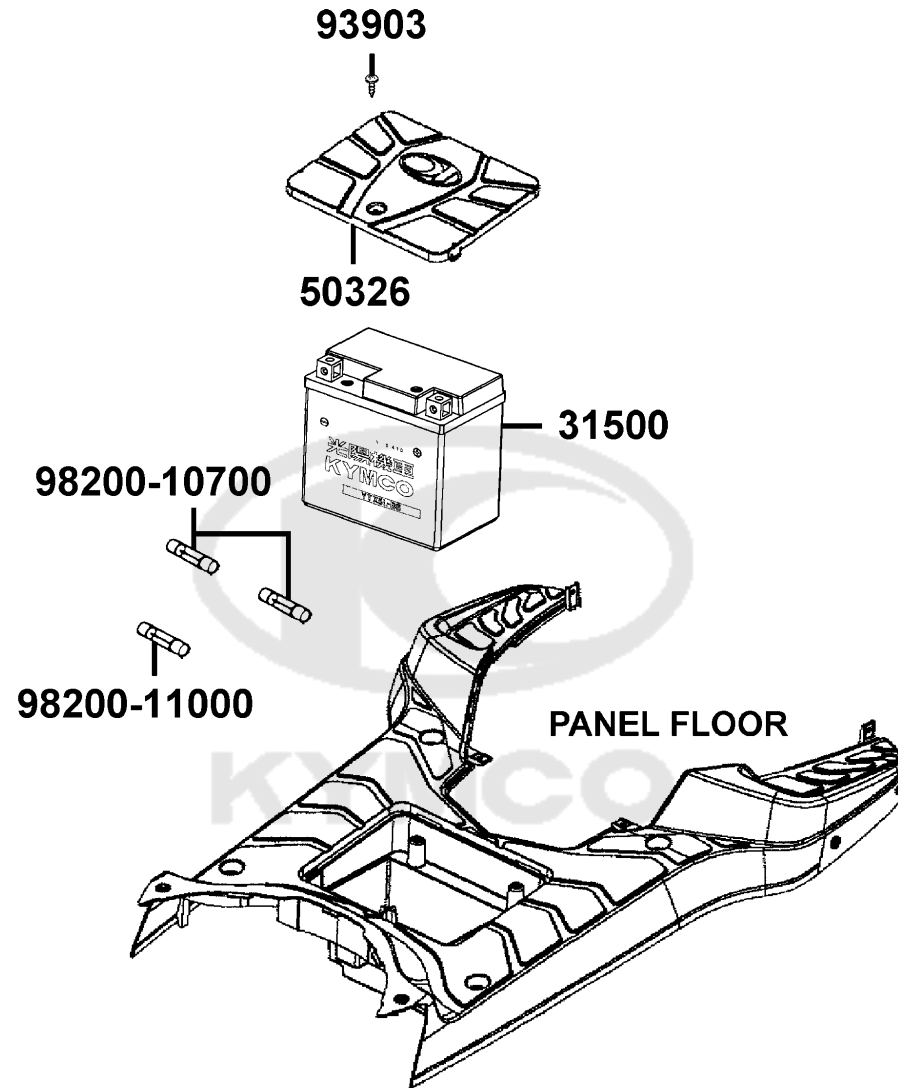
F10

Fuel Tank



Sales mark	Ref no	Part no	Description	Reg description	Regd no	<b>F10</b>
1691A		1691A-LHM9-E10	STRAINER ASSY FUEL	STRAINER ASSY FUEL	1	
16950		16950-KKJ9-C00	AUTO COCK ASSY FUEL	AUTO COCK ASSY FUEL	1	
17500		17500-LCB9-C10	TANK COMP FUEL	TANK COMP FUEL	1	
1755A		1755A-KKD5-C10	TRAY ASSY FUEL CAP	TRAY ASSY FUEL CAP	1	
18657		18657-LEH2-B50	TUBE ASSY PUMP-INLET PIPE	TUBE ASSY PUMP-INLET PIPE	1	
37802		37802-GGA7-C00	RET FUEL UNIT	RET FUEL UNIT	1	
3780A		3780A-LDC8-E10	FUEL UNIT ASSY	FUEL UNIT ASSY	1	
90660		90660-KGBG-C00	CLAMPER TUBE	CLAMPER TUBE	1	
94050		94050-06080	NUT FLANG 6MM	NUT FLANG 6MM	2	





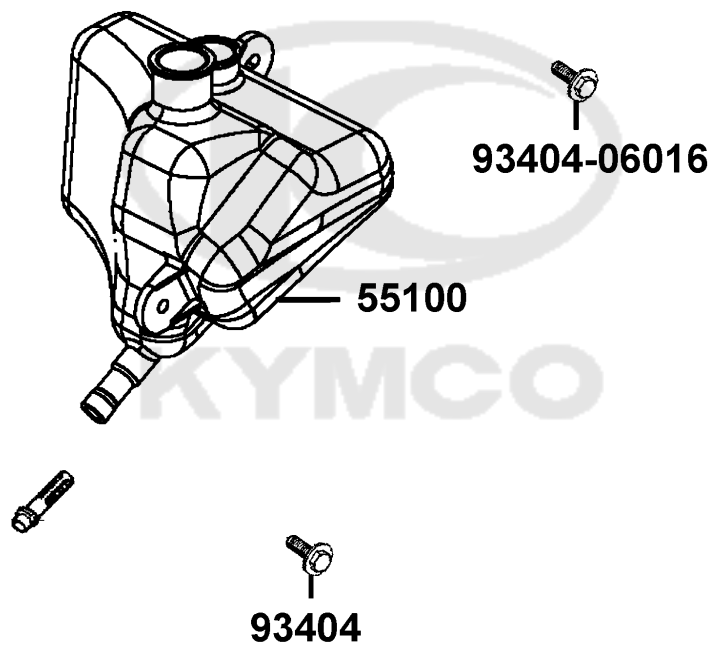
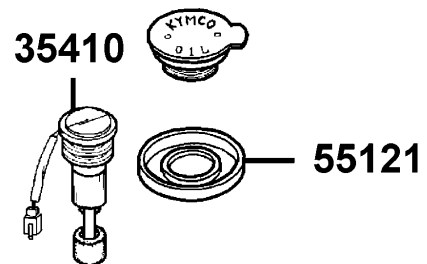
Sales mark	Ref no	Part no	Description	Reg description	Regd no	<b>F11</b>
------------	--------	---------	-------------	-----------------	---------	------------

	31500	31500-GFY6-C00	BATTERY GTX6L-BS	BATTERY GTX6L-BS	1	
**	50326	50326-LGB5-E10	COVERBATTERY	COVERBATTERY	1	
	93903	93903-35380	SCREW TAPPING 5*16(K)	SCREW TAPPING 5*16(K)	1	
	98200-10700	98200-10700	FUSE A7	FUSE A7	2	
	98200-11000	98200-11000	FUSE A10	FUSE A10	1	




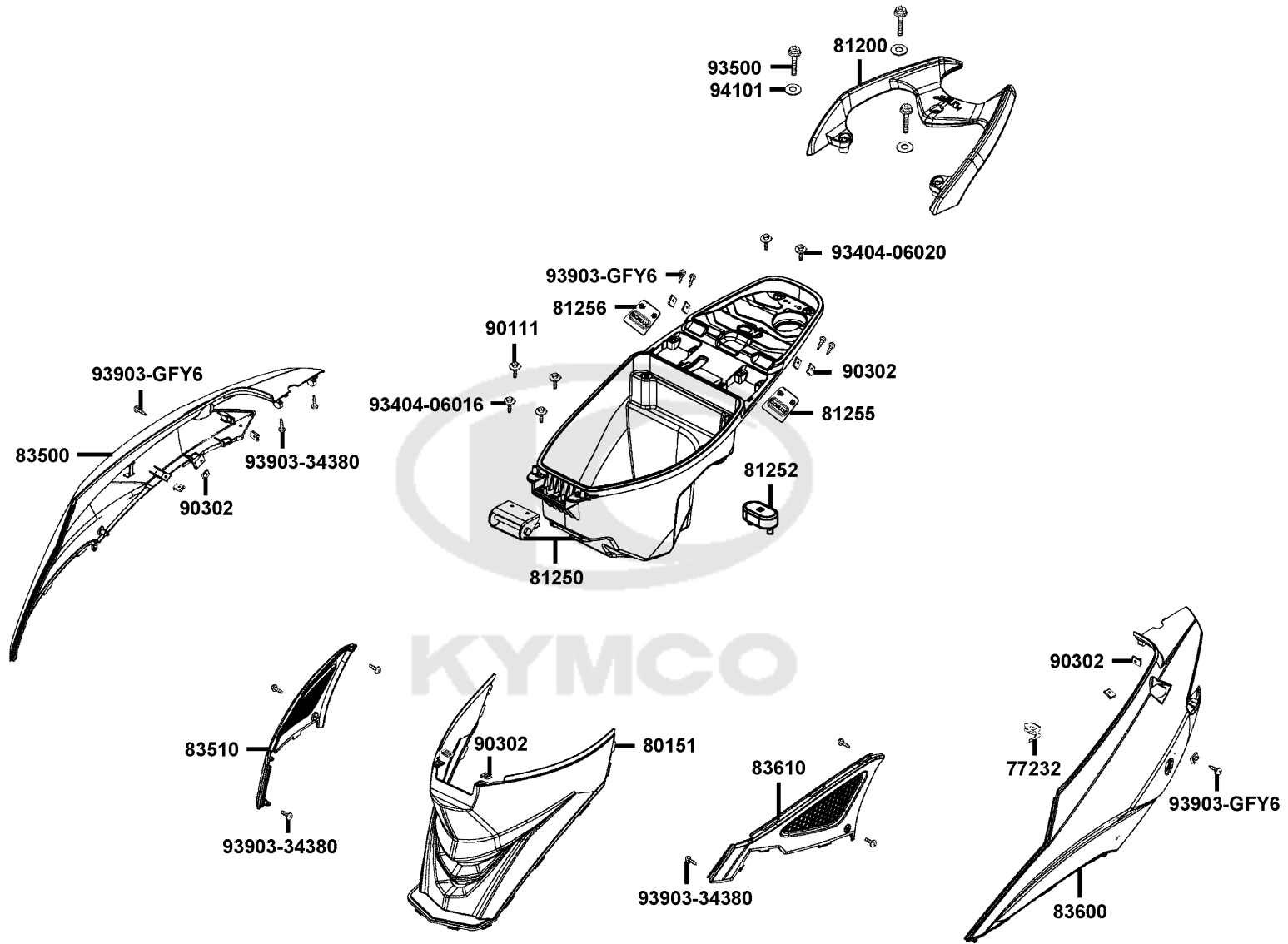
F12

Tank Oil

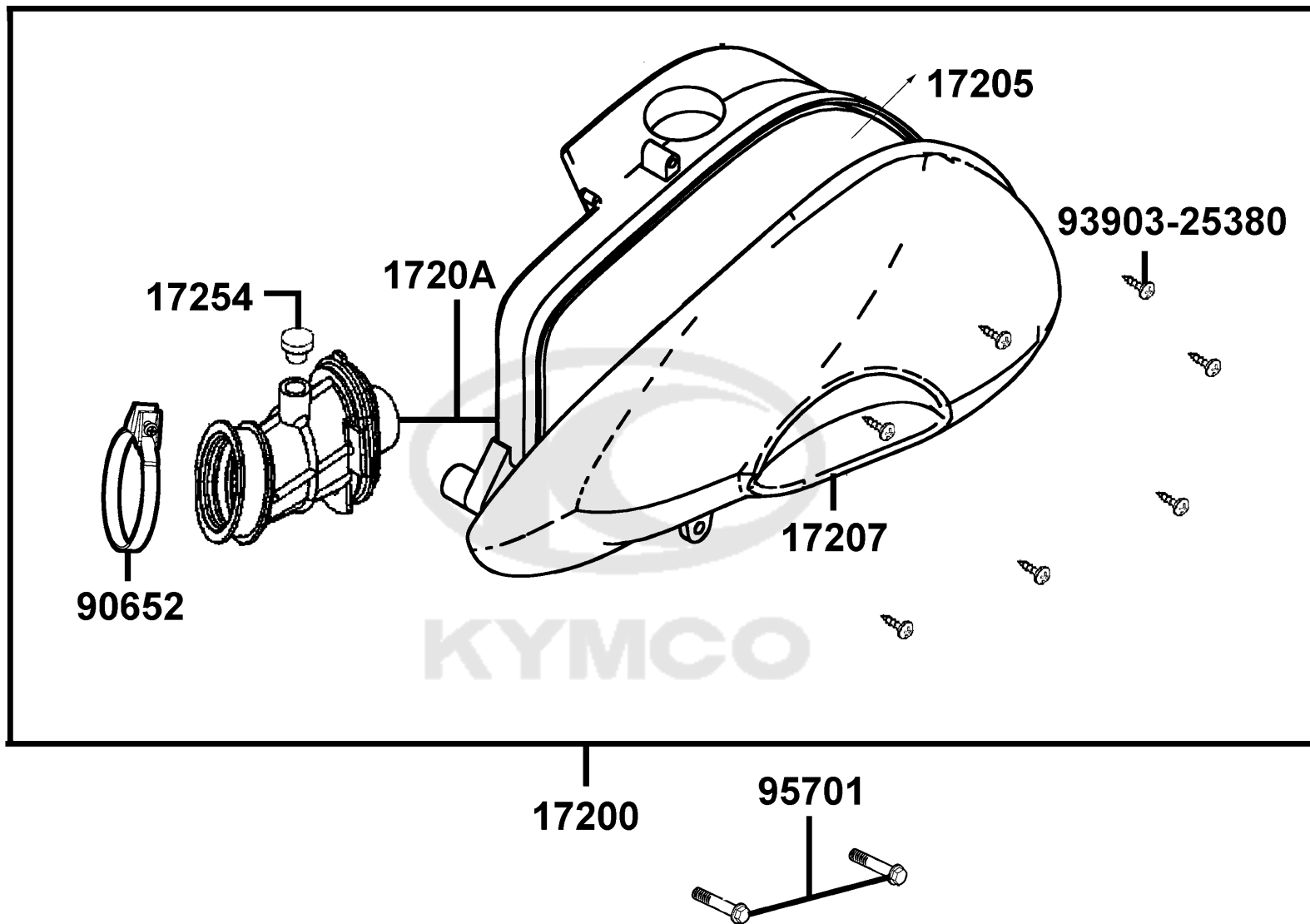




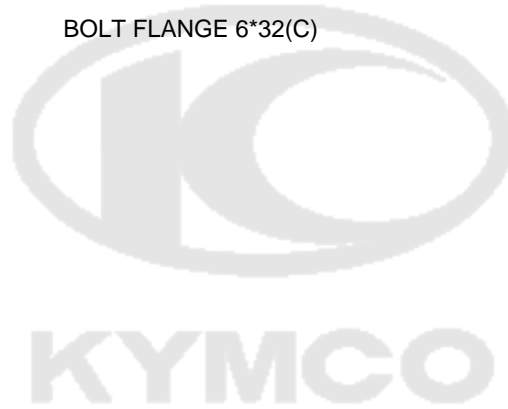
Sales mark	Ref no	Part no	Description	Reg description	Regd no	F12
	35410	35410-LHM9-E10	SW COMP OIL LEVEL	SW COMP OIL LEVEL	1	
	55100	55100-LHM9-E10	TANK ASSY OIL	TANK ASSY OIL	1	
	55121	55121-LCD1-C00	RUBBER OIL GUIDE	RUBBER OIL GUIDE	1	
	93404	93404-06016-07	BOTL WASHER 6*16(K)	BOTL WASHER 6*16(K)	2	
						

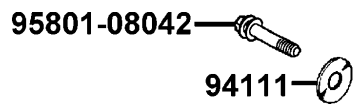
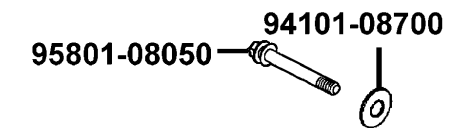


Sales mark	Ref no	Part no	Description	Reg description	Regd no	F13
	77232	77232-KCAC-C00	SET SPG SEAT LOCK	SET SPG SEAT LOCK	1	
**	80151	80151-LGB5-E10	COVER CENTER	COVER CENTER	1	
**	81200	81200-LGB5-E10	CARRIER RR	CARRIER RR	1	
**	81250	81250-LHM9-E10	BOX ASSY LUGGAGE	BOX ASSY LUGGAGE	1	
	81252	81252-LGB5-E10	BOX LUGGAGE RUBBER	BOX LUGGAGE RUBBER	2	
	81255	81255-LGB6-E10	COVER R BOX LUGGAGE	COVER R BOX LUGGAGE	1	
**	81256	81256-LGB6-E10	COVER L BOX LUGGAGE	COVER L BOX LUGGAGE	1	
**	83500	83500-LGB5-E10	COVER R BODY	COVER R BODY	1	
**	83510	83510-LGB5-E10	GRILL R SIDE	GRILL R SIDE	1	
**	83600	83600-LGB5-E10	COVER L BODY	COVER L BODY	1	
**	83610	83610-LGB5-E10	COVER L SIDE	COVER L SIDE	1	
	90111	90111-1G87-C00	BOLT FLANGE 6MM	BOLT FLANGE 6MM	1	
	90302	90302-SDA4-C00	NUT SPRING 4MM	NUT SPRING 4MM	1	
	93404-06016	93404-06016-07	BOTL WASHER 6*16(K)	BOTL WASHER 6*16(K)	2	
	93404-06020	93404-06020-07	BOLT WASHER 6*20(K)	BOLT WASHER 6*20(K)	2	
	93500	93500-LGB5-E10	BOLT SPECIAL 8*35	BOLT SPECIAL 8*35	3	
	93903-34380	93903-34380	BOLT FLANGE	BOLT FLANGE	8	
	93903-GFY6	93903-GFY6-C00	SCREW TAPPING 4*14	SCREW TAPPING 4*14	1	
	94101	94101-LGB5-E10	WASHER	WASHER	3	

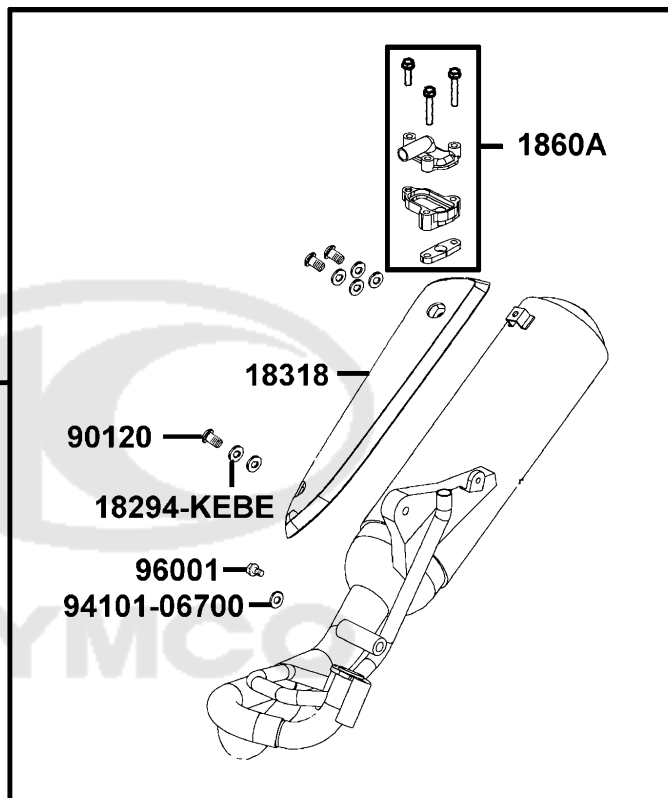
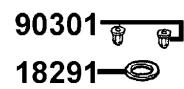


Sales mark	Ref no	Part no	Description	Reg description	Regd no	<b>F14</b>
17200		17200-LHM9-E10	AIR/C ASSY	AIR/C ASSY	1	
17205		17205-LHM9-E10	ELEMENT COMP AIR/C	ELEMENT COMP AIR/C	1	
17207		17207-KEB7-900	COVER COMP AIRIC	COVER COMP AIRIC	1	
1720A		1720A-KEB7-E00	CASE ASSY AIR/C	CASE ASSY AIR/C	1	
17254		17254-KACA-900	JOINT PURGE TUBE	JOINT PURGE TUBE	1	
90652		90652-LHM9-E10	BAND 42 AIR/C CONNECTING TUBE	BAND 42 AIR/C CONNECTING TUBE	1	
93903-25380		93903-25380	SCREW TAPPING 5*16 (G)	SCREW TAPPING 5*16 (G)	7	
95701		95701-06032-08	BOLT FLANGE 6*32(C)	BOLT FLANGE 6*32(C)	2	

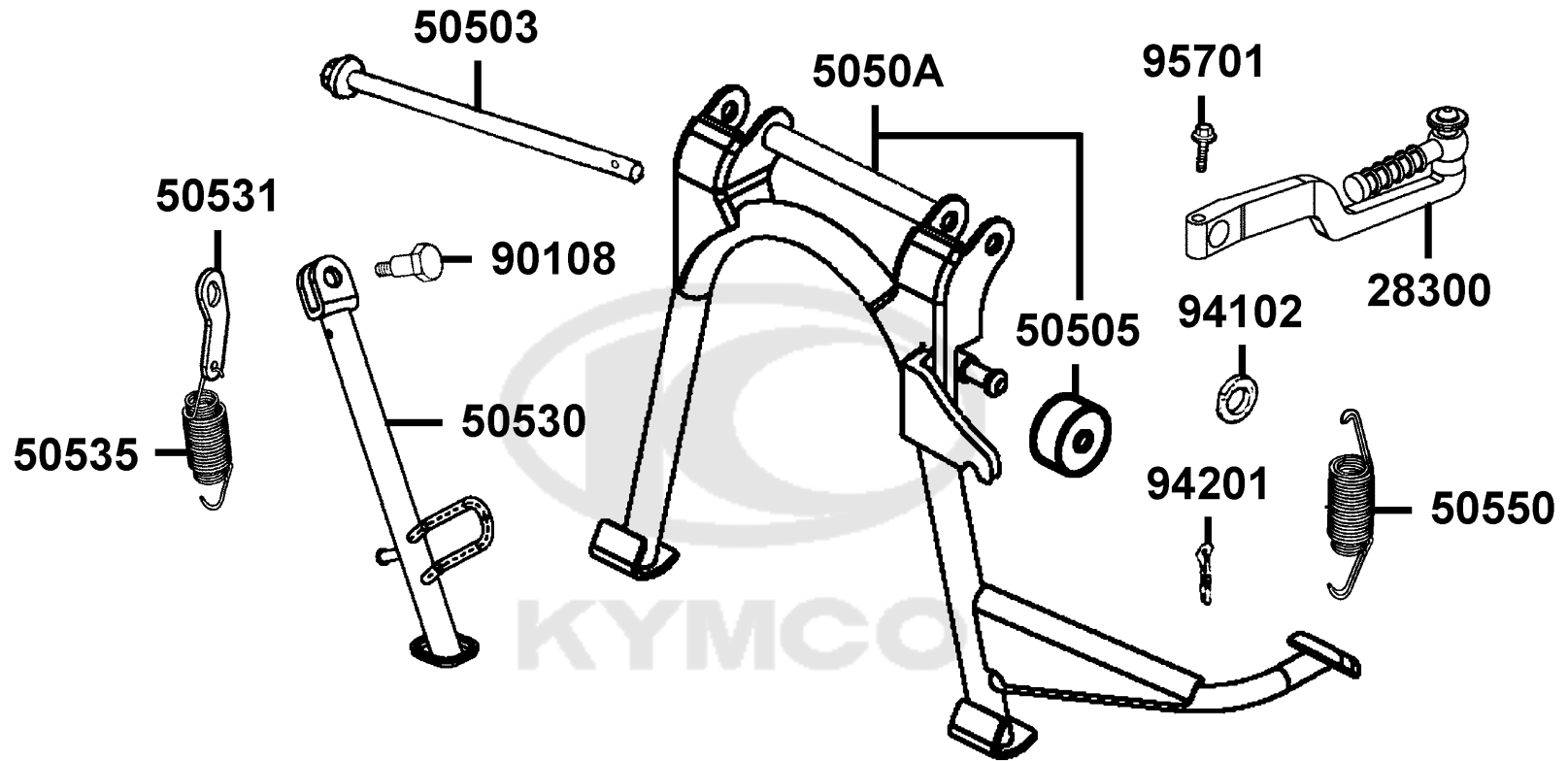




1830A



Sales mark	Ref no	Part no	Description	Reg description	Regd no	<b>F15</b>
	18291	18291-LHB3-E10	GASKET EXH PIPE	GASKET EXH PIPE	1	
	18294	18294-KEBE-C00	PACKING PROTECTOR	PACKING PROTECTOR	1	
	1830A	1830A-LHM9-E10	MUFFLER ASSY EXHAUST	MUFFLER ASSY EXHAUST	1	
**	18318	18318-LGR4-E10	PROTECTOR MUFFLER	PROTECTOR MUFFLER	1	
	1860A	1860A-KFB5-C00	REED VALVE ASSY	REED VALVE ASSY	1	
	90120	90120-KEC2-C00	SOCKET BOLT SPECIAL 6*13	SOCKET BOLT SPECIAL 6*13	1	
	90301	90301-GFY6-C00	NUT (HEX) CAP 8MM	NUT (HEX) CAP 8MM	1	
	94101-06700	94101-06700	WASHER PLAIN 6MM (K)	WASHER PLAIN 6MM (K)	1	
	94101-08700	94101-08700	WASHER PLAIN 8MM (K)	WASHER PLAIN 8MM (K)	1	
	94111	94111-08800	WASHER SPG 8MM (C)	WASHER SPG 8MM (C)	1	
	95801-08042	95801-08042-07	BOLT FLANGE 8*42 (K)	BOLT FLANGE 8*42 (K)	1	
	95801-08050	95801-08050-07	BOLT FLANGE 8*50 (K)	BOLT FLANGE 8*50 (K)	1	
	96001	96001-06008-07	BOLT FLANGE SH 6*8 (K)	BOLT FLANGE SH 6*8 (K)	1	





Sales mark	Ref no	Part no	Description	Reg description	Regd no	<b>F16</b>
28300		28300-LHB3-E10	ARM ASSY KICK STARTER	ARM ASSY KICK STARTER	1	
50503		50503-KEB7-C00	SHAFT MAIN STAND	SHAFT MAIN STAND	1	
50505		50505-LAD9-C00	STOPPER RUBBER	STOPPER RUBBER	1	
5050A		5050A-LHM9-E10	STAND ASSY MAIN	STAND ASSY MAIN	1	
50530		50530-LGB5-E10	SIDE STAND COMP	SIDE STAND COMP	1	
50531		50531-KEB7-C00	PLATE SPRING STOPPER	PLATE SPRING STOPPER	1	
50535		50535-KEB7-W10	SPRING COMP SIDE STAND	SPRING COMP SIDE STAND	1	
50550		50550-KEB7-C00	SPG ASSY MAIN STAND	SPG ASSY MAIN STAND	1	
90108		90108-KEB7-E00	SCREW SIDE STAND PIVOT	SCREW SIDE STAND PIVOT	1	
94102		94102-08800	WASHER PLAIN 8MM	WASHER PLAIN 8MM	1	
94201		94201-20150	PIN SPLIT 2*15	PIN SPLIT 2*15	1	
95701		95701-06022-07	BOLT FLANGE 6*22	BOLT FLANGE 6*22	1	

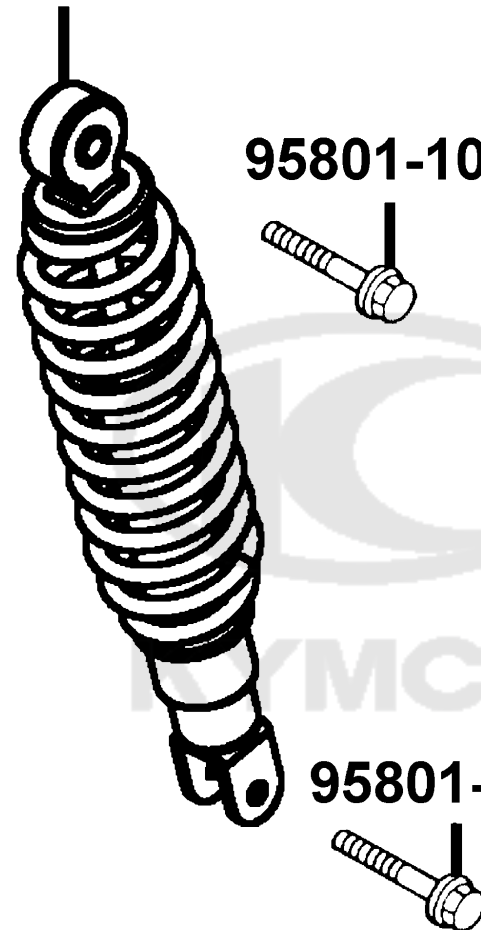
F17

Rear Cushion

52400

95801-10035

95801-08032



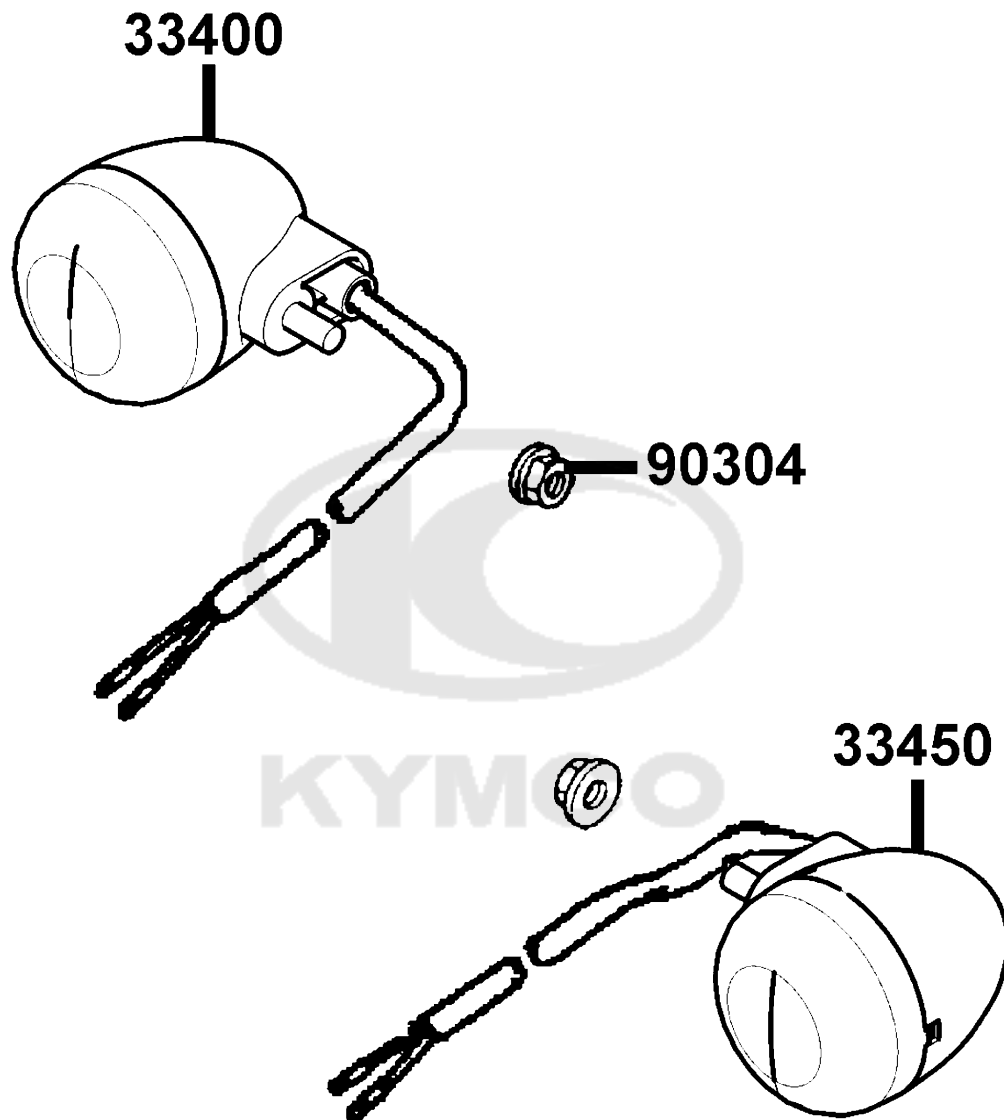
Sales mark	Ref no	Part no	Description	Reg description	Regd no	<b>F17</b>
------------	--------	---------	-------------	-----------------	---------	------------

**	52400	52400-LHM9-E10	CUSHION ASSY REAR	CUSHION ASSY REAR	1	
	95801-08032	95801-08032-08	BOLT FLANGE 8*32	BOLT FLANGE 8*32	1	
	95801-10035	95801-10035-08	BOLT FLANGE 10*35 (C)	BOLT FLANGE 10*35 (C)	1	



F18

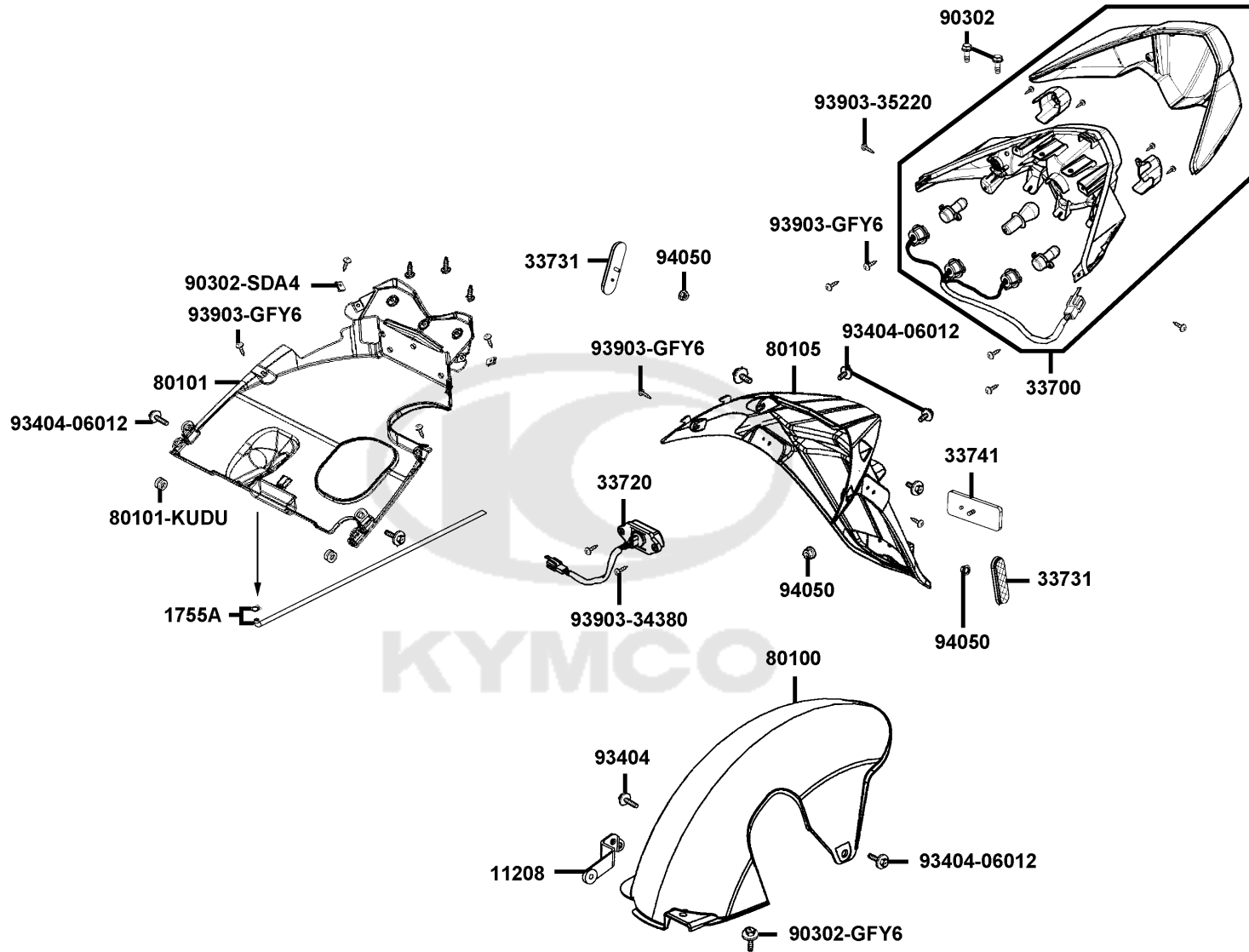
Front Winker



Sales mark	Ref no	Part no	Description	Reg description	Regd no	<b>F18</b>
------------	--------	---------	-------------	-----------------	---------	------------

33400	33400-LHM9-E60	33400-LHM9-E60	"WINKER ASS'Y.,R/L,FR"	"WINKER ASS'Y.,R/L,FR"	1	
33450	33450-LHM9-E60	33450-LHM9-E60	"WINKER ASS'Y.,R/L,FR"	"WINKER ASS'Y.,R/L,FR"	1	
90304	90304-4H38-C00	90304-4H38-C00	NUT HEX CAP 6MM	NUT HEX CAP 6MM	1	

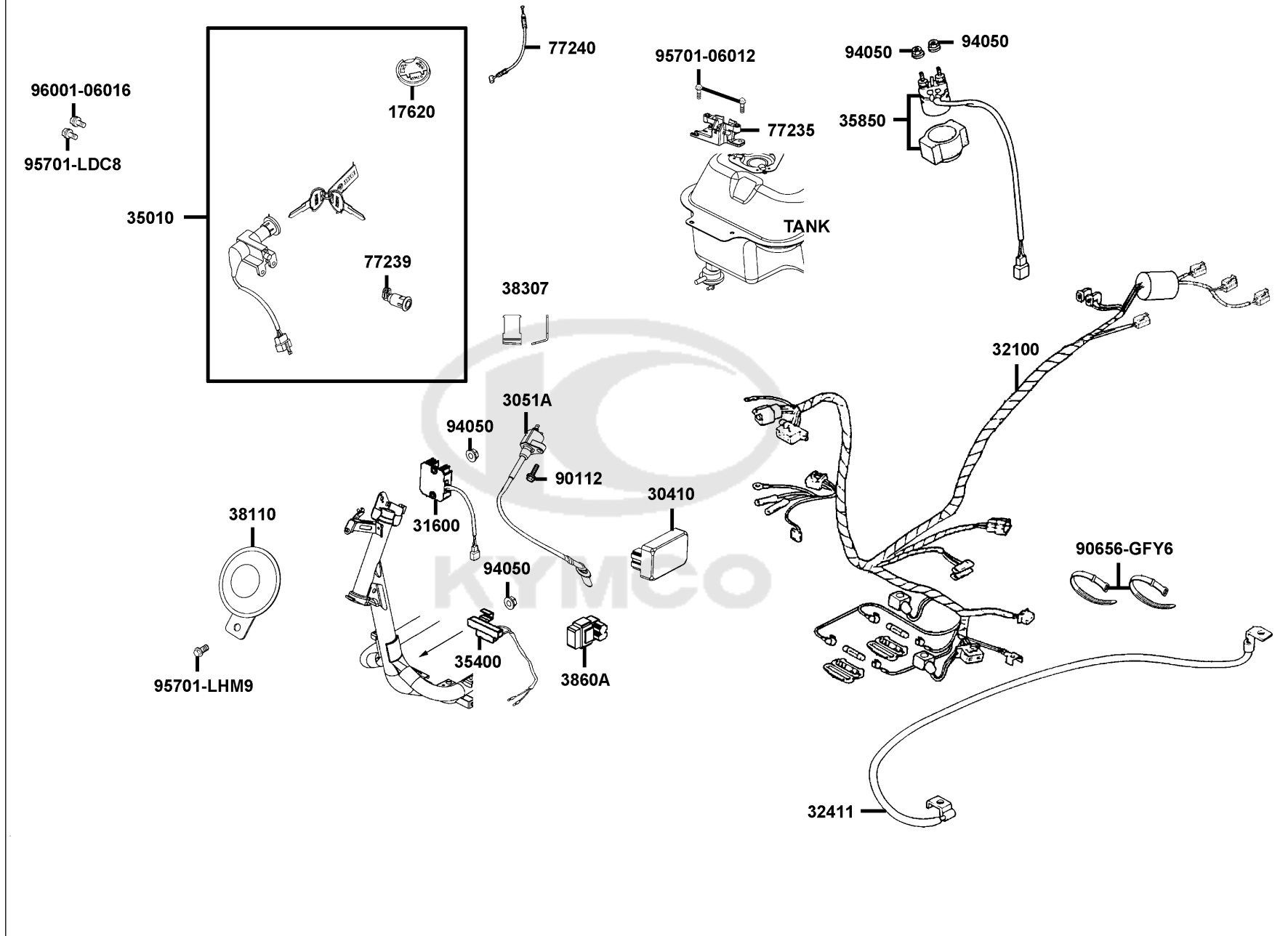




Sales mark	Ref no	Part no	Description	Reg description	Regd no	<b>F19</b>
	11208	11208-LBD6-C00	STAY RR TIRE FENDER	STAY RR TIRE FENDER	1	
	1755A	1755A-LDC8-E10	TUBE ASSY FUEL DRAIN	TUBE ASSY FUEL DRAIN	1	
	33700	33700-LHM9-E60	LIGHT ASSY RR COMB	LIGHT ASSY RR COMB	1	
	33720	33720-LGB5-E10	LIGHT ASSY LICENSE	LIGHT ASSY LICENSE	1	
	33731	33731-KGB5-C00	REFLEX REFLECTOR SIDE	REFLEX REFLECTOR SIDE	1	
	33741	33741-KEBE-C00	REFLEX REFLECTOR	REFLEX REFLECTOR	1	
**	80100	80100-LHM9-E10	FENDER RR TIRE	FENDER RR TIRE	1	
**	80101	80101-LGB6-E10	FENDER RR INNER	FENDER RR INNER	1	
**	80105	80105-LGB5-E10	FENDER REAR	FENDER REAR	1	
	90302-GFY6	90302-GFY6-C10	BOLT-WASH 5*16	BOLT-WASH 5*16	1	
	90302-SDA4	90302-SDA4-C00	NUT SPRING 4MM	NUT SPRING 4MM	1	
	93404	93404-06012-07	BOLT WASHER 6*12(K)	BOLT WASHER 6*12(K)	8	
	93903-34380	93903-34380	BOLT FLANGE	BOLT FLANGE	2	
	93903-35220	93903-35220	SCREW TAPPING 5*12	SCREW TAPPING 5*12	2	
	93903-GFY6	93903-GFY6-C00	SCREW TAPPING 4*14	SCREW TAPPING 4*14	1	
	94050	94050-05080	NUT FLANGE 5MM	NUT FLANGE 5MM	3	

F20

Wire Harness

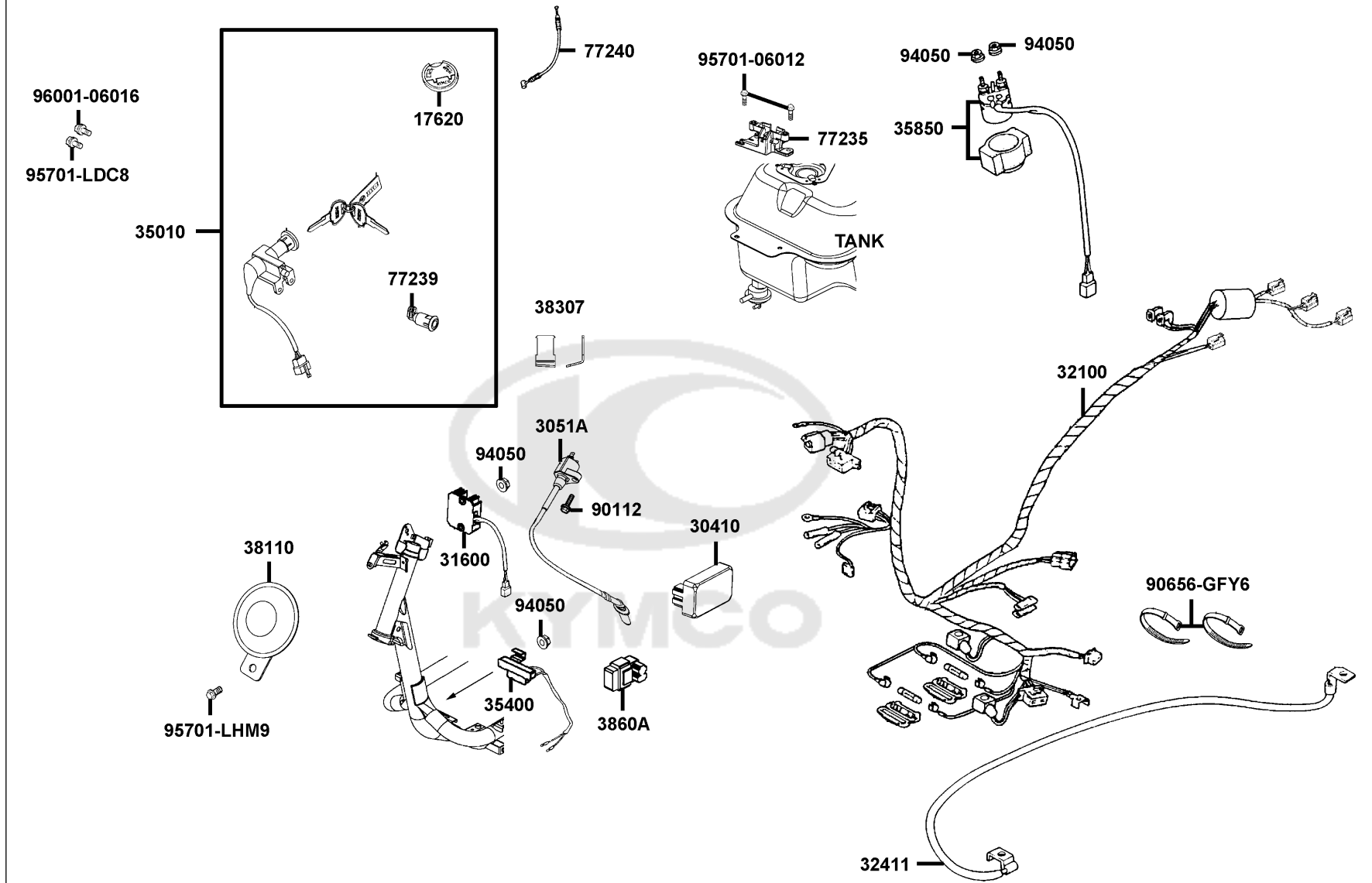




Sales mark	Ref no	Part no	Description	Reg description	Regd no	F20
	17620	17620-LDF7-E10	CAP COMP FUEL FILLER	CAP COMP FUEL FILLER	1	
	30410	30410-LHB3-E10	UNIT COMP CDI	UNIT COMP CDI	1	
	3051A	3051A-KELE-C00	COIL ASSY IGN	COIL ASSY IGN	1	
	31600	31600-LFC2-E10	REG REC COMP DC	REG REC COMP DC	1	
	32100	32100-LHM9-E60	HARNESS WIRE	HARNESS WIRE	1	
	32411	32411-LEJ3-E11	CABLE BAT	CABLE BAT	1	
	35010	35010-LGB6-E90	KEY SET	KEY SET	1	
	35400	35400-LHB3-E10	RESISTOR COMP	RESISTOR COMP	1	
	35850	35850-KHD8-C00	RELAY ASSY START	RELAY ASSY START	1	
	38110	38110-LHM9-E10	HORN COMP	HORN COMP	1	
	38307	38307-LHM9-E60	"STAY,WINKER RELAY"	"STAY,WINKER RELAY"	1	
	3860A	3860A-LGB5-E10	CONTROL ASSY LIGHTING	CONTROL ASSY LIGHTING	1	
	77235	77235-LGB5-E10	SEAT CATCH COMP	SEAT CATCH COMP	1	
	77239	77239-GFY6-C00	KEY SEAT LOCK	KEY SEAT LOCK	1	
	77240	77240-LGB5-E10	"CABLE.,SEAT LOCK"	"CABLE.,SEAT LOCK"	1	
	90112	90112-KRDR-C00	BOLT FLANGE 5*22	BOLT FLANGE 5*22	1	
	90656	90656-GFY6-911	BAND OIL HOSE	BAND OIL HOSE	2	
	94050	94050-06080	NUT FLANG 6MM	NUT FLANG 6MM	4	
	95701-06012	95701-06012-08	BOLT FLANGE 6*12	BOLT FLANGE 6*12	2	
	95701-LDC8	95701-LDC8-E10	BOLT TORQUE 6*16	BOLT TORQUE 6*16	1	

F20

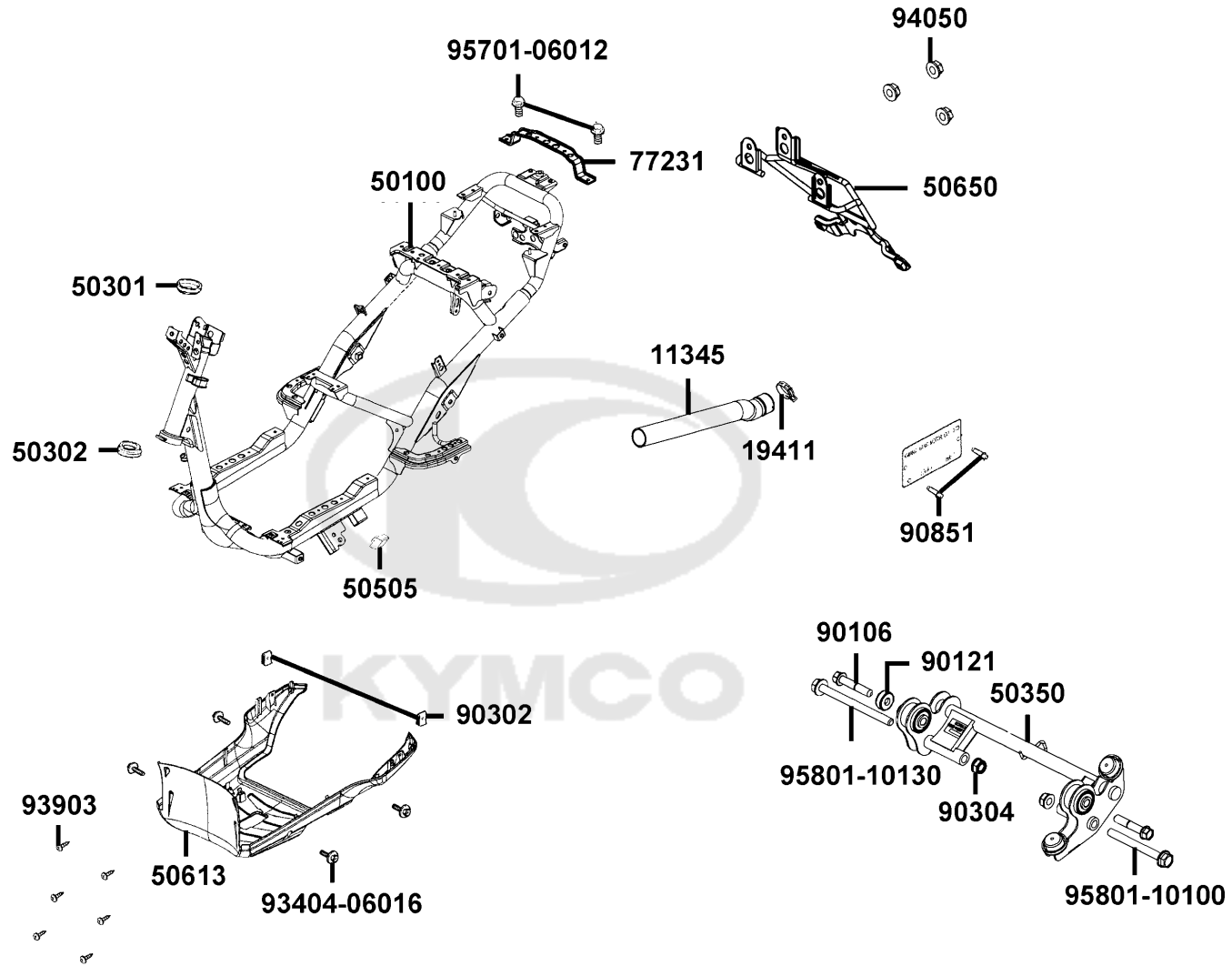
Wire Harness



Sales mark	Ref no	Part no	Description	Reg description	Regd no	<b>F20</b>
------------	--------	---------	-------------	-----------------	---------	------------

95701-LHM9		95701-LHM9-E60	BOLT FLANGE 8*12 (C)	BOLT FLANGE 8*12 (C)	1	
96001-06016		96001-06016-08	BOLT FLANGE SH 6*16(C)	BOLT FLANGE SH 6*16(C)	1	

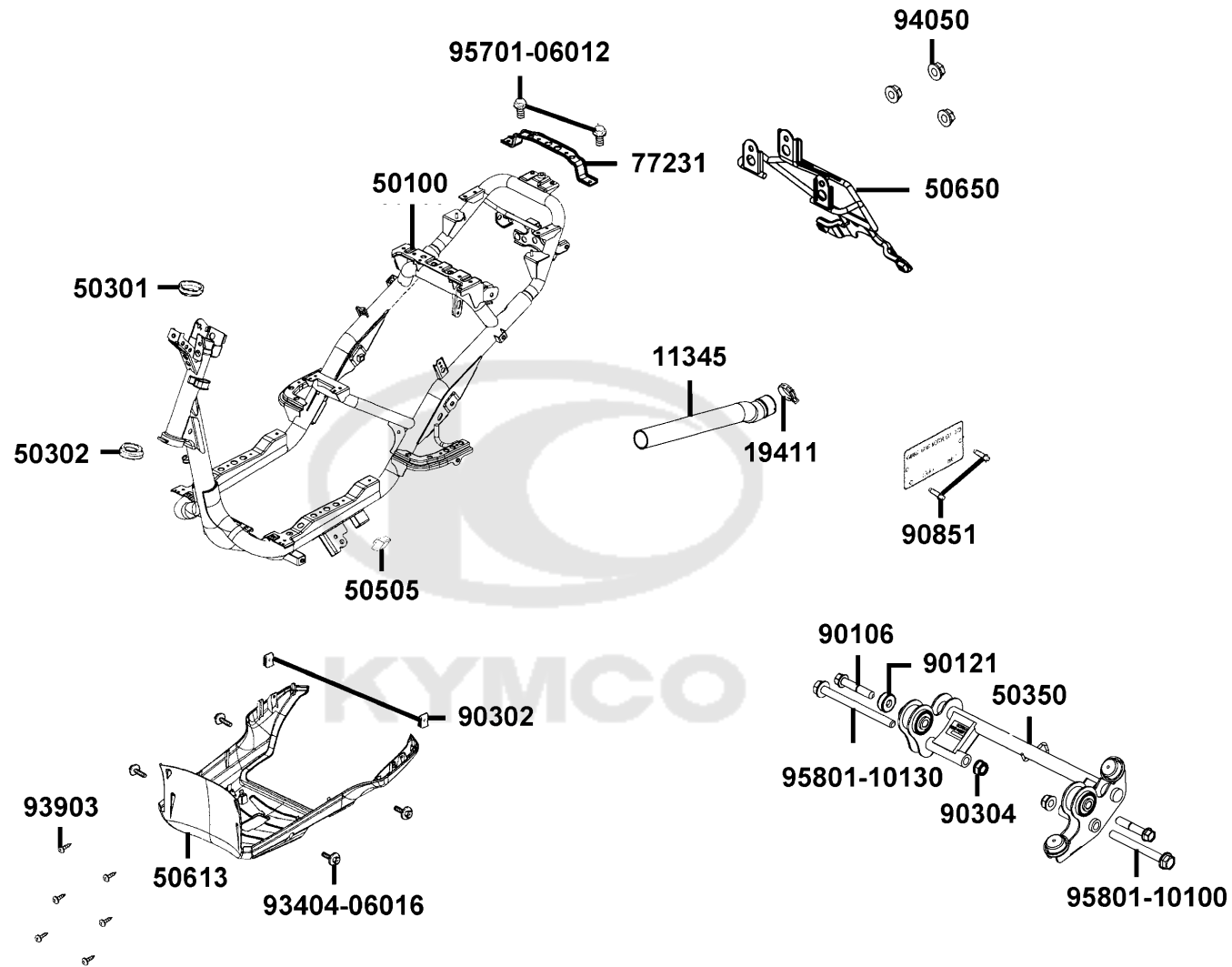




Sales mark	Ref no	Part no	Description	Reg description	Regd no	F21
	11345	11345-LHB3-E10	DUCT L COVER	DUCT L COVER	1	
	19411	19411-KNBN-C10	CLIP HOSE	CLIP HOSE	1	
	50100	50100-LHM9-E10	BODY COMP FRAME	BODY COMP FRAME	1	
	50301	50301-GLM0-C00	RACE UPPER STRG BALL	RACE UPPER STRG BALL	1	
	50302	50302-2H68-C00	RACE (STRG BOT) BALL	RACE (STRG BOT) BALL	1	
	50350	50350-LGR4-E10	HANGER ASSY ENG	HANGER ASSY ENG	1	
	50505	50505-KEBE-C00	STOPPER RUBBER	STOPPER RUBBER	1	
**	50613	50613-LGB5-E10	COVER UNDER	COVER UNDER	1	
	50650	50650-LGB5-E10	STAY RR FENDER	STAY RR FENDER	1	
	77231	77231-LGB5-E10	STAY SEAT RUBBER	STAY SEAT RUBBER	1	
	90106	90106-LGB6-E10	BOLT FLANGE 10*55	BOLT FLANGE 10*55	2	
	90121	90121-GFY6-C00	COLLAR DISTANCE	COLLAR DISTANCE	1	
	90302	90302-SDA4-C00	NUT SPRING 4MM	NUT SPRING 4MM	1	
	90304	90304-GHE8-C00	NUT U 10MM (C)	NUT U 10MM (C)	1	
	90851	90851-KKF9-C00	RIVET 3.2*9.8	RIVET 3.2*9.8	1	
	93404	93404-06016-07	BOTL WASHER 6*16(K)	BOTL WASHER 6*16(K)	4	
	93903	93903-34380	BOLT FLANGE	BOLT FLANGE	6	
	94050	94050-06080	NUT FLANG 6MM	NUT FLANG 6MM	3	
	95701	95701-06012-08	BOLT FLANGE 6*12	BOLT FLANGE 6*12	2	
	95801-10100	95801-10100-08	BOLT FLANGE 10*100	BOLT FLANGE 10*100	1	

F21

Frame Body



Sales mark	Ref no	Part no	Description	Reg description	Regd no	<b>F21</b>
------------	--------	---------	-------------	-----------------	---------	------------

95801-10130

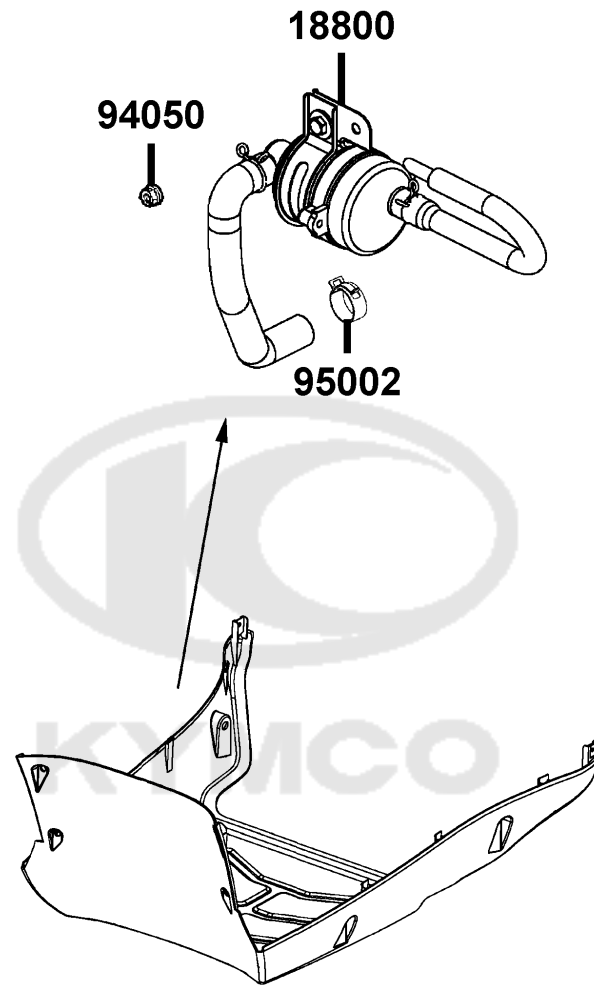
95801-10130-08

BOLT FLANGE 10\*130

BOLT FLANGE 10\*130

1







Sales mark	Ref no	Part no	Description	Reg description	Regd no	<b>F22</b>
------------	--------	---------	-------------	-----------------	---------	------------

18800		18800-LHM9-E10	AI CLEANER ASSY	AI CLEANER ASSY	1	
94050		94050-06080	NUT FLANG 6MM	NUT FLANG 6MM	1	
95002		95002-KKD6-C00	CLAMP D18 TUBE	CLAMP D18 TUBE	1	





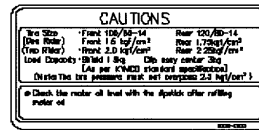
87560



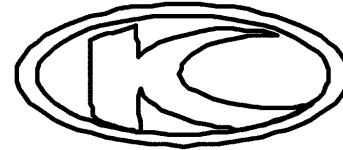
87160



87140



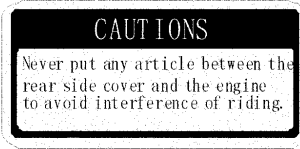
87505



86102



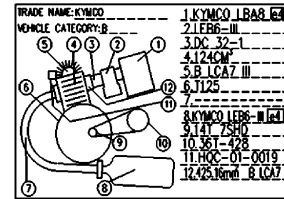
86281



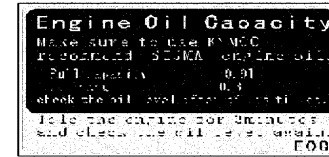
87542



87541



87224



87541



86282-LHM9-E60



86283-LHM9-E60



86285



86287



86211



86284



86286



86221-LHM9-E60



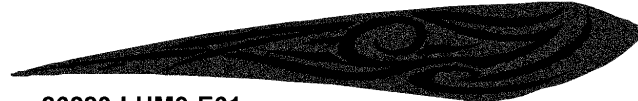
86231-LHM9-E60



86281



86282-LHM9-E61



86283-LHM9-E61



86221-LHM9-E61



86231-LHM9-E61

Sales mark	Ref no	Part no	Description	Reg description	Regd no	<b>F23</b>
**	86102	86102-LEA5-E00	EMB K-LOGO'28mm	EMB K-LOGO'28mm	1	
**	86221-LHM9-E61	86221-LHM9-E61	STRIPE R BODY COVER	STRIPE R BODY COVER	1	
**	86231-LHM9-E61	86231-LHM9-E61	STRIPE L BODY COVER	STRIPE L BODY COVER	1	
**	86281	86281-LHM9-E61	STRIPE FR MOLD	STRIPE FR MOLD	2	
**	86282-LHM9-E61	86282-LHM9-E61	STRIPE R FR MOLD	STRIPE R FR MOLD	1	
**	86283-LHM9-E61	86283-LHM9-E61	STRIPE L FR MOLD	STRIPE L FR MOLD	1	
**	87140	87140-LHM9-E60	STRIPE MARK 2T	STRIPE MARK 2T	2	
**	87160	87160-LDC8-E90	STRIPE KYMCO	STRIPE KYMCO	2	
**	87224	87224-LHM9-EZ0	CAUTION ANTI TAMPERING	CAUTION ANTI TAMPERING	1	
**	87505	87505-LDC8-E10	LABEL TIRE	LABEL TIRE	1	
**	87541	87541-GAR1-C01	MARK MAINT CAUTION L	MARK MAINT CAUTION L	1	
**	87542	87542-GAR1-E01	MARK MAINT CAUTION	MARK MAINT CAUTION	1	
**	87560	87560-KNBN-E01	MARK DRIVE CAUTION	MARK DRIVE CAUTION	1	

## PART NO. INDEX

PART NO.	VERSION	PAGE	PART NO.	VERSION	PAGE	PART NO.	VERSION	PAGE
<b>1000</b>			<b>4000</b>			<b>13000</b>		
1001-GC8H-0351	0	E11	4000-077-0000	0	E11	1300A-GKAK-C00	0	E10
1010-GAKH-9200	0	E11				13011-GLW0-C00	0	E10
1014-GAKH-9100	0	E11	<b>11000</b>			13101-GLW0-901	2	E10
1019-GW3H-9800	0	E11				13111-1F66-C00	0	E10
1020-GAKH-9300	0	E11	11100-KGB5-900	4	E09	13115-1F56-C00	0	E10
1031-181H-8310	0	E11	11102-1G87-C00	1	E09			
1034-153H-9901	0	E11	11108-KEB7-C00	0	E03	<b>14000</b>		
103J-073H-9900-SB00	0	E11	11200-KEB7-900	5	E09			
105B-KBNH-9000	0	E11	11203-GGC7-W10	2	E09	14100-KEB7-C00	0	E09
106B-KG8H-9804	0	E11	11204-KEB7-C00	0	E09			
1300-GW0H-9000	0	E11	11208-GKAK-C00	0	E09	<b>15000</b>		
1300-GW3H-Q800	0	E11	11208-LBD6-C00	0	F19			
1300-KG8H-9010	0	E11	1120B-KGN7-C00	0	E08	15100-KEB7-E00	0	E09
1300-KG8H-Q010	0	E11	11341-KKD6-C00	0	E05	1510A-LCD1-E00	1	E09
1703-GJ2H-0040	0	E11	11345-LHB3-E10	0	F21	15110-KEB7-C00	0	E09
1782-KG8H-9010	0	E11	11395-KKD6-C00	0	E05	1552A-KEB7-C00	0	E09
1785-KBNH-9000-SB00	0	E11						
1793-144H-9900	0	E11	<b>12000</b>			<b>16000</b>		
1795-KG8H-9010	0	E11						
1799-KBNH-9000	0	E11	12101-KEB7-C00	0	E02	16075-KG8-9010-M1	0	E11
			12191-KEB7-C00	0	E02	16076-KG8-9010-M1	0	E11
			12201-KEB7-C00	0	E02	16076-ND5-0040	0	E11
			12251-KEB7-C00	0	E02	1610K-KFA6-E05	1	E11

## PART NO. INDEX

PART NO.	VERSION	PAGE	PART NO.	VERSION	PAGE	PART NO.	VERSION	PAGE
16152-KG8-9010-M1	0	E11	18294-KEBE-C00	0	F15	22121-GLW0-C00	2	E06
16162-KG8-9010-M1	0	E11	1830A-LHM9-E10	0	F15	22131-GHAH-C00	0	E06
1621A-GKAK-C00	0	E09	18318-LGR4-E10	0	F15	22132-GLW0-C00	0	E06
16620-LGR4-E10	2	E11	1860A-KFB5-C00	0	F15	22300-KXCX-900	2	E07
1691A-LHM9-E10	0	F10	18657-LEH2-B50	1	F10	22350-GKAK-C00	0	E07
16950-KKJ9-C00	3	F10	18800-LHM9-E10	0	F22	22401-GBG2-C00	0	E07
<b>17000</b>			<b>19000</b>			22530-GKAK-C00	1	E07
17100-KEB7-901	1	E09	19411-KNBN-C10	1	F21	22804-1H48-C00	0	E07
17111-LHM9-E10	0	E09	19510-GBW2-C00	1	E03	<b>23000</b>		
17112-KEB7-C00	0	E09	19600-KEB7-C00	0	E01	2301A-KEB7-C00	0	E07
17200-LHM9-E10	5	F14	1962A-KEB7-C10	0	E01	23100-KEB7-C00	0	E07
17205-LHM9-E10	0	F14	<b>21000</b>			23200-GAR1-C00	0	E07
17207-KEB7-900	0	F14	21200-KFA1-900	2	E08	23220-GKAK-C00	0	E07
1720A-KEB7-E00	0	F14	21395-KNBN-C10	0	E08	23225-GAR1-C00	0	E07
17254-KACA-900	0	F14	<b>22000</b>			23233-GHE8-001	2	E07
17500-LCB9-C10	3	F10	22100-LHM9-E10	0	E07	23237-GAR1-C00	0	E07
1755A-KKD5-C10	1	F10	22102-LDC8-E10	0	E06	23238-GGS7-C00	0	E07
1755A-LDC8-E10	1	F19	22103-KEB7-C00	0	E06	23411-KEB7-C00	0	E08
17620-LDF7-E10	0	F20	22105-KFA5-C00	0	E06	23420-KEB7-C00	0	E08
17910-LHM9-E10	2	F03	22110-LEJ2-E10	0	E06	23432-KEB7-C00	0	E08
<b>18000</b>						2343A-KNBN-C00	0	E08
18291-LHB3-E10	0	F15						

## PART NO. INDEX

PART NO.	VERSION	PAGE	PART NO.	VERSION	PAGE	PART NO.	VERSION	PAGE
<b>28000</b>			<b>32000</b>			<b>35000</b>		
28211-KEB7-W10	0	E06	32100-LHM9-E60	0	F20	35010-LGB6-E90	1	F20
2823A-GKAK-W10	1	E06	32102-LHM9-E60	0	F04	35151-LHM9-E60	0	F03
28250-LDF7-E10	1	E06	32105-LHB3-E10	1	E04	35152-LHM9-E60	0	F03
28253-GBN2-C00	1	E06	32411-LEJ3-E11	0	F20	3515A-LHM9-E60	0	F03
28255-GFS6-C00	1	E06				35201-LHM9-E60	0	F03
28281-GBN2-60A	1	E06	<b>33000</b>			35202-LHM9-E60	0	F03
28300-LHB3-E10	3	F16				3520A-LHM9-E60	0	F03
			33100-LHM9-E60	0	F01	35340-KNBN-901	1	F04
<b>30000</b>			33108-LGB5-E10	0	F01	35340-LHM9-E60	0	F03
			33400-LHM9-E60	0	F18	35400-LHB3-E10	0	F20
30410-LHB3-E10	1	F20	33450-LHM9-E60	0	F18	35410-LHM9-E10	0	F12
3051A-KELE-C00	0	F20	33700-LHM9-E60	0	F19	35850-KHD8-C00	1	F20
			33720-LGB5-E10	0	F19			
<b>31000</b>			33731-KGB5-C00	2	F19	<b>37000</b>		
			33741-KEBE-C00	0	F19			
31100-LHB3-E10	0	E03				37100-LHM9-E60	0	F02
31110-KEB7-90A	2	E03	<b>34000</b>			37112-LHM9-E60	0	F02
31120-LHB3-E10	1	E03				37115-LHM9-E60	0	F02
31200-LHM9-E10	0	E04	34901-LDC8-E10	1	F01	37211-LHM9-E60	0	F02
31209-GKAK-C00	0	E04	34903-LDC8-E10	1	F01	37215-KAR1-C00	0	F02
31500-GFY6-C00	1	F11	34908-KHC6-C00	0	F02	37224-LHM9-E60	0	F02
31600-LFC2-E10	1	F20	34908-KKAK-C00	1	F02	37280-LHM9-E10	0	F02
			34908-LGR5-E00	1	F02	37802-GGA7-C00	1	F10

## PART NO. INDEX

PART NO.	VERSION	PAGE	PART NO.	VERSION	PAGE	PART NO.	VERSION	PAGE
3780A-LDC8-E10	0	F10				45517-KFAF-910	1	F04
<b>38000</b>			<b>44000</b>			<b>50000</b>		
			44305-KGE2-E00	9	F07			
38110-LHM9-E10	2	F20	44306-KGE2-E00	9	F07	50100-LHM9-E10	1	F21
38300-LFC8-C10	2	F02	44311-GLW0-W10	1	F07	50301-GLM0-C00	1	F21
38307-LHM9-E60	0	F20	44600-LGB5-E81	0	F07	50302-2H68-C00	2	F21
3860A-LGB5-E10	0	F20	44601-LGB5-E10	0	F07	50306-1F96-C00	1	F06
			44620-KEB7-E00	0	F07	50326-LGB5-E10	0	F11
<b>42000</b>			44650-LGB5-3150	0	F07	50330-KEBE-C00	1	F05
			44710-LDC8-E11	2	F07	50350-LGR4-E10	1	F21
42600-LGB5-E11	0	F08	44800-LDC8-E10	1	F07	50503-KEB7-C00	0	F16
42601-LGB5-E10	0	F08	44830-LHM9-E60	0	F02	50505-KEBE-C00	0	F21
42710-LDC8-E11	3	F08				50505-LAD9-C00	0	F16
42753-0A01-C00	1	F07	<b>45000</b>			5050A-LHM9-E10	0	F16
			45105-LDC8-305	1	F04	50530-LGB5-E10	1	F16
<b>43000</b>			45121-LGB5-E80	2	F07	50531-KEB7-C00	1	F16
			45126-LHM9-E60	0	F04	50535-KEB7-W10	3	F16
4312A-KXCX-C00	8	F08	45156-KDLD-C00	2	F06	50550-KEB7-C00	1	F16
4314A-KKD6-E00	2	F08	45156-KNBN-C00	1	F06	50613-LGB5-E10	1	F21
43410-KFA1-C00	8	F08	45200-LGB5-E10	0	F04	50650-LGB5-E10	1	F21
43450-LHM9-E10	0	F03	45500-LDC8-E10	3	F04			
43472-KHG8-C00	0	F08	4550A-LHM9-E60	1	F04	<b>51000</b>		
			4550B-LHM9-E60	1	F04	51400-LGB5-E10	0	F06
			45517-GFY6-900	5	F03	51401-LDC8-E10	0	F06

## PART NO. INDEX

PART NO.	VERSION	PAGE	PART NO.	VERSION	PAGE	PART NO.	VERSION	PAGE
51410-LDC8-E10	0	F06	53175-LDC8-E10	1	F04	64302-LGB5-E10	3	F05
51412-LDC8-E10	0	F06	53178-LGB5-E10	0	F03	64303-LGB5-E10	0	F05
51420-LDF7-E10	0	F06	5317B-LHM9-E60	0	F03	64304-LGB5-E10	1	F05
51422-LDC8-E10	0	F06	53190-GFY6-C00	0	F03	64310-LGB5-E10	1	F05
51428-LDC8-E10	0	F06	53191-GFY6-C00	0	F03	64316-LCB9-C10	4	F05
51429-LGB5-E10	0	F06	53200-LDC8-E91	6	F06			
51437-LDC8-E10	0	F06	53205-LHM9-E60	0	F03	<b>77000</b>		
51500-LGB5-E10	0	F06	53206-LHM9-E60	0	F03			
51520-LDF7-E10	1	F06	53211-GFY6-C00	1	F06	77200-LGB6-E10	0	F09
<b>52000</b>			53212-2L50-C00	1	F06	77231-LGB5-E10	0	F21
			53214-2L50-C00	1	F06	77232-KCAC-C00	2	F13
			53215-2L50-C00	1	F06	77235-LGB5-E10	6	F20
52400-LHM9-E10	0	F17				77239-GFY6-C00	0	F20
52400-LHM9-E10	2	F17	<b>55000</b>			77240-LGB5-E10	1	F20
<b>53000</b>								
			55100-LHM9-E10	0	F12	<b>80000</b>		
			55121-LCD1-C00	0	F12			
53100-LHM9-E60	0	F03	55200-LGR4-C00	0	E09	80100-LHM9-E10	0	F19
53105-KNBN-C00	2	F03				80101-2C83-C00	0	F02
53125-GEN5-C00	1	F03	<b>61000</b>			80101-LGB6-E10	0	F19
5312A-LHM9-E60	0	F03				80102-LHM9-E10	1	E09
53131-LHM9-E60	0	F03	61100-LGB5-E10	1	F06	80105-LGB5-E10	0	F19
53140-KNBN-C00	0	F03				80151-LGB5-E10	0	F13
53140-KNBN-C00	1	F03	<b>64000</b>					
53166-KNBN-C00	1	F03						
53172-LHM9-E60	1	F03	64301-LGB5-E10	1	F05			



## PART NO. INDEX

PART NO.	VERSION	PAGE	PART NO.	VERSION	PAGE	PART NO.	VERSION	PAGE		
<b>81000</b>			86221-LHM9-E60	1	F23	87560-KNBN-E01	0	F23		
			86221-LHM9-E61	0	F23	<b>88000</b>				
			86231-LHM9-E60	0	F23					
	81132-LCB9-C10	0	F05	86231-LHM9-E60	1		F23			
	81132-LDC8-E10	1	F05	86231-LHM9-E61	0	F23	88110-LEB5-C11	0	F03	
	81132-LHM9-E60	0	F05	86281-LHM9-E61	0	F23	88120-LEB5-C11	0	F03	
	81133-KNBN-C00	1	F05	86282-LHM9-E60	0	F23	<b>89000</b>			
	81200-LGB5-E10	0	F13	86282-LHM9-E61	0	F23				
	81250-LHM9-E10	0	F13	86283-LHM9-E60	0	F23				
	81252-LGB5-E10	1	F13	86283-LHM9-E61	0	F23	89010-KGBG-C00	1	F09	
81255-LGB6-E10	0	F13	86284-LHM9-E60	0	F23	<b>90000</b>				
81256-LGB6-E10	0	F13	86285-LHM9-E60	0	F23					
<b>83000</b>			86286-LHM9-E60	0	F23					
			86287-LHM9-E60	0	F23		90001-GKAK-C00	0	E02	
83500-LGB5-E10	1	F13	<b>87000</b>			90105-KCR3-001	3	F07		
83510-LGB5-E10	0	F13				90106-GEN5-901	1	F03		
83600-LGB5-E10	0	F13		87140-LHM9-E60	0	F23	90106-LGB6-E10	1	F21	
83610-LGB5-E10	0	F13		87160-LDC8-E90	0	F23	90107-GHC8-000	0	F02	
<b>86000</b>				87160-LDC8-E90	1	F23	90108-KEB7-E00	0	F16	
				87224-LHM9-EZ0	0	F23	90110-GLW0-C00	0	F05	
				87505-LDC8-E10	2	F23	90110-KEB7-C00	1	F06	
				87505-LDC8-E10	3	F23	90111-1G87-C00	1	F05	
	86102-LEA5-E00	1		F23	87541-GAR1-C01	0	F23	90111-1G87-C00	1	F13
	86211-LHM9-E60	0		F23	87541-GAR1-C01	1	F23	90112-KRDR-C00	1	F20
86211-LHM9-E60	1	F23	87542-GAR1-E01	2	F23	90114-1F66-C00	2	F04		
86221-LHM9-E60	0	F23				90115-GLE0-C00	0	F03		

## PART NO. INDEX

PART NO.	VERSION	PAGE	PART NO.	VERSION	PAGE	PART NO.	VERSION	PAGE
90116-GGS7-C00	0	F03	90454-GBB2-C00	0	E07	91201-KNBN-C00	0	E09
90116-LDC8-E10	0	F06	90474-3C33-C00	1	E09	91202-KNBN-92A	0	E09
90120-GAR1-J00	0	E09	90501-KNBN-C00	1	F08	91204-KNBN-C00	1	E09
90120-KEC2-C00	0	F15	90544-LDC8-E10	0	F06	91211-GHK8-C00	0	E07
90121-GFY6-C00	1	F21	90545-3L00-C00	2	F04	91251-LDC8-E10	0	F06
90121-KBE2-C00	4	F07	90652-LFB5-900	1	F05	91254-LDC8-E10	0	F06
90131-GLW0-C00	0	F04	90652-LHM9-E10	0	F14	91255-LDC8-E10	4	E08
90145-9A61-C00	1	F04	90656-GFY6-911	1	F20	91258-KAM1-C00	1	F07
90202-1G87-C00	0	E07	90660-KGBG-C00	0	F10	91301-KEA5-742	0	E07
90301-GFY6-C00	2	F15	90754-GHC8-C00	1	F07	91302-PKA9-C00	0	E07
90302-GFY6-C10	0	F19	90851-KKF9-C00	0	F21			
90302-SDA4-C00	2	F05	90912-GHC8-C00	1	F07	<b>92000</b>		
90302-SDA4-C00	2	F13	<b>91000</b>			92700-06028-1B	0	E02
90302-SDA4-C00	2	F19				<b>93000</b>		
90302-SDA4-C00	2	F21						
90304-4H38-C00	0	F18	91001-GGA7-C00	0	E07			
90304-GHE8-C00	1	F03	91001-GLW0-C00	0	E09			
90304-GHE8-C00	1	F21	91004-KBN2-C00	0	E08	93404-06012-07	5	F19
90305-KNBN-C00	1	F08	91004-KBN2-C00	0	E09	93404-06016-07	0	F12
90306-KLF0-C00	0	F07	91004-KNBN-C00	0	E09	93404-06016-07	0	F13
90309-KLF0-C00	0	E08	91006-KNBN-C00	0	E09	93404-06016-07	0	F21
90412-3K29-C00	1	E06	91009-GLE0-C00	1	E08	93404-06020-07	4	F05
90426-KNBN-C00	1	E06	91014-LLJ3-C00	1	F06	93404-06020-07	4	F13
90429-KNBN-C00	0	E08	91015-LLJ3-C00	1	F06	93500-05012-0H	0	E09
90442-0D44-C00	0	E07	91102-GLW0-C00	0	E10	93500-LGB5-E10	0	F13
90451-GBN2-C00	1	E06	91103-GAR1-C00	0	E07	93600-04012-1G	1	F04

## PART NO. INDEX

PART NO.	VERSION	PAGE	PART NO.	VERSION	PAGE	PART NO.	VERSION	PAGE
93700-05018-0H	1	F02	94050-06080	2	F09	95701-06022-07	1	F16
93892-04008-18	0	E11	94050-06080	2	F10	95701-06025-08	2	E01
93892-04014-18	0	E11	94050-06080	2	F20	95701-06032-08	1	F03
93893-04012-08	0	F04	94050-06080	2	F21	95701-06032-08	1	F08
93893-04014-08	0	F02	94050-06080	2	F22	95701-06032-08	1	F14
93901-34320	0	F02	94050-10080	1	E03	95701-08012-08	2	E09
93903-25380	0	F14	94050-10080	1	E07	95701-08040-08	3	E09
93903-34380	6	F02	94101-06700	0	F15	95701-LDC8-E10	0	F20
93903-34380	6	F05	94101-08700	0	F15	95701-LHM9-E60	1	F20
93903-34380	6	F13	94101-LGB5-E10	0	F13	95801-08032-08	0	F17
93903-34380	6	F19	94102-08800	0	F16	95801-08035-08	0	E09
93903-34380	6	F21	94103-LHM9-E10	0	F02	95801-08040-08	4	F06
93903-35220	4	F01	94111-08800	0	F15	95801-08042-07	0	F15
93903-35220	4	F19	94201-20150	0	F16	95801-08050-07	0	F15
93903-35380	2	F11	94301-10200	2	E09	95801-10035-08	1	F17
93903-GFY6-C00	2	F05	94511-14000	1	E06	95801-10100-08	0	F21
93903-GFY6-C00	2	F13	94520-24000	1	E07	95801-10130-08	0	F21
93903-GFY6-C00	2	F19	94591-KFBF-C00	0	E01			
			94608-LDC8-E10	0	F06			
<b>94000</b>			<b>95000</b>			<b>96000</b>		
94001-05080-0S	0	F03				96001-06008-07	1	F15
94001-12280-0S	0	E06	95002-02080	0	E11	96001-06012-08	3	E03
94050-05080	2	F19	95002-KKD6-C00	1	F22	96001-06016-08	6	E03
94050-06070	0	F04	95701-06012-08	3	F20	96001-06016-08	6	F20
94050-06080	2	E11	95701-06012-08	3	F21	96001-06022-08	2	E03
						96001-06025-00	0	F04

## PART NO. INDEX

PART NO.	VERSION	PAGE	PART NO.	VERSION	PAGE	PART NO.	VERSION	PAGE
96001-06025-02	4	F03						
96001-06025-08	4	E04	<b>N</b>					
96001-06025-08	4	E05						
96001-06025-08	4	E09	N350-09E00	0	E11			
96001-06032-08	1	E09	N413-32A00	0	E11			
96001-06045-08	1	E09	N425-2RFMJ	0	E11			
96001-06055-08	0	E09						
96100-62033-00	1	E09						
96600-LHM9-E60	0	F03						
96700-LHM9-E60	2	F03						
<b>98000</b>								
98076-5871G-00	0	E02						
98200-10700	2	F11						
98200-11000	1	F11						
<b>99000</b>								
99101-116-0700	0	E11						
<b>K</b>								
K378-001	0	E11						
K785-KEB-0300	0	E11						