

PARTS CATALOGUE



SCOOTERS

KL10BA(GR)

AGILITY CITY 50



Release Date : 2013/05/22
Print Date : 2013/07/23

ABOUT THIS PARTS LIST

- This parts list is compiled all service parts for model KL10BA(GR).
- Any difference between color chart and motorcycle will be revised according to motorcycle.
- The Mark:
 1. Marking "***" must add color code in the end before ordering parts.
 2. Marking "#" are parts with modification, Please find the details from e-Parts system.
- When modification or additions to this parts list are made a revised edition at an appropriate time.



CONTENTS

● ABOUT THIS PARTS LIST	1
● COLOR CHART OF KL10BA(GR)	3
● CONTENTS-ENGINE GROUP	7
● CONTENTS-FRAME GROUP	8
● ENGINE PARTS LIST	11
● FRAME PARTS LIST	39
● PART NO. INDEX	91

NO	MODEL			COLOR CHART OF KL10BA(GR)			
	PHOTO NO			NO. 1	NO. 2	NO. 3	NO. 4
	BASIC COLOR			Deep Blue			Dark Gray Metallic
	CODE			Deep Blue			Dark Gray Metallic
	PARTS NAME	PARTS NO.	VERSION	PB281MA	PB281MA	NH230MA	NH230MA
1	COVER HANDLE FR	53205-LFC2-E10	1	CAP		HKP	
2	"COVER, FRONT"	64301-LFC2-E10	2				
3	COVER R BODY	83500-LFC2-E10	1				
4	COVER L BODY	83600-LFC2-E10	1				
5	COVER RR CENTER	83750-LFC2-E10	1				
6	COVER BATTERY	50326-LFC2-E10	1	N1R			
7	COVER UNDER	50613-LFC2-E10	1				
8	COVER METER	53204-LFC2-E10	1				
9	COVER HANDLE RR	53206-LFC2-E10	1				
10	MOLD FRONT	64302-LFC2-E10	1				
11	SKIRT R SIDE	64305-LFC2-E10	1				
12	SKIRT L SIDE	64306-LFC2-E10	1				
13	GRILLE R FR MOLDING	64307-LFC2-E10	1				
14	GRILLE L FR MOLDING	64308-LFC2-E10	1				
15	FLOOR PANEL	64310-LFC2-E11	0				
16	COVER R STEP	64350-LFC2-E11	0				
17	COVER L STEP	64360-LFC2-E11	0				
18	FENDER RR INNER	80101-LFC2-E10	1				
19	COVER CENTER	80151-LFC2-E10	1				
20	LEG SHIELD	81131-LFC2-E10	1				
21	CAP LEG SHIELD UP	81132-LFC2-E10	1				
22	LID INNER BOX	81141-LFC2-E10	1				
23	GRILL R SIDE	83510-LFC2-E10	1				
24	GRILL L SIDE	83610-LFC2-E10	1				
25	CUSHION ASSY RR	52400-LFC2-E80	0	N1S			
DATE OF STARTING-SALES							
DATE OF END-SALES							

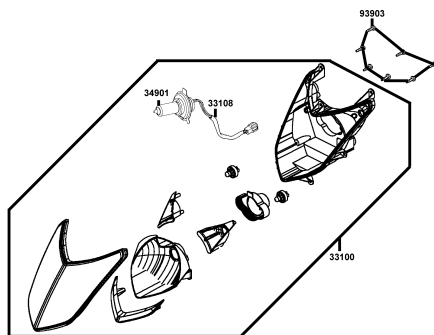
NO	MODEL			COLOR CHART OF KL10BA(GR)			
	PHOTO NO			NO. 5	NO. 6	NO. 7	NO. 8
	BASIC COLOR			Black		Pearly White	
	CODE			Black		Pearly White	
	PARTS NAME	PARTS NO.	VERSION	NH001SA	NH001SA	NH193PA	NH193PA
1	COVER HANDLE FR	53205-LFC2-E10	1	N1P		NVP	
2	"COVER, FRONT"	64301-LFC2-E10	2				
3	COVER R BODY	83500-LFC2-E10	1				
4	COVER L BODY	83600-LFC2-E10	1				
5	COVER RR CENTER	83750-LFC2-E10	1				
6	COVER BATTERY	50326-LFC2-E10	1	N1R			
7	COVER UNDER	50613-LFC2-E10	1				
8	COVER METER	53204-LFC2-E10	1				
9	COVER HANDLE RR	53206-LFC2-E10	1				
10	MOLD FRONT	64302-LFC2-E10	1				
11	SKIRT R SIDE	64305-LFC2-E10	1				
12	SKIRT L SIDE	64306-LFC2-E10	1				
13	GRILLE R FR MOLDING	64307-LFC2-E10	1				
14	GRILLE L FR MOLDING	64308-LFC2-E10	1				
15	FLOOR PANEL	64310-LFC2-E11	0				
16	COVER R STEP	64350-LFC2-E11	0				
17	COVER L STEP	64360-LFC2-E11	0				
18	FENDER RR INNER	80101-LFC2-E10	1				
19	COVER CENTER	80151-LFC2-E10	1				
20	LEG SHIELD	81131-LFC2-E10	1				
21	CAP LEG SHIELD UP	81132-LFC2-E10	1				
22	LID INNER BOX	81141-LFC2-E10	1				
23	GRILL R SIDE	83510-LFC2-E10	1				
24	GRILL L SIDE	83610-LFC2-E10	1				
25	CUSHION ASSY RR	52400-LFC2-E80	0	N1S			
DATE OF STARTING-SALES							
DATE OF END-SALES							

NO	MODEL			COLOR CHART OF KL10BA(GR)			
	PHOTO NO			NO. 1	NO. 2	NO. 3	NO. 4
	BASIC COLOR			Deep Blue			Dark Gray Metallic
	CODE			Deep Blue			Dark Gray Metallic
	PARTS NAME	PARTS NO.	VERSION	PB281MA	PB281MA	NH230MA	NH230MA
26	COVER COMP L	11340-LEJ2-E10	0	NEA			
27	WHEEL ASSY RR	42600-LFC2-E10	1				
28	FENDER FR	61100-LFC2-E10	1				
29	MIRROR ASSY R BACK	88110-LEB5-C11	0	NEP			
30	MIRROR ASSY L BACK	88120-LEB5-C11	0				
31	FORK ASSY R FR	51400-LFC2-E80	0	NGA			
32	FORK ASSY L FR	51500-LFC2-E80	0				
33	CARRIER RR	81200-LFC2-E10	1	NJA			
34	CAP FR COVER	64303-LFC2-E10	1	CAP		HKP	
35	EMB BODY COVER	86202-LFC2-E10	1				
36	CAUTION ANTI	87224-LEJ2-EZ0	1				
37	LABEL TIRE	87505-LFC2-E10	2				
38	MARK MAINT CAUTION	87541-GAR1-C01	1	T01			
39	LABEL OIL CAP	87541-KGBG-E00	0				
40	MARK MAINT CAUTION	87542-GAR1-E01	2				
41	MARK DRIVE CAUTION	87560-GFY6-C01	3				
42	STRIPE K-LOGO 22MM	86102-LEJ2-E00	2	T03			
DATE OF STARTING-SALES							
DATE OF END-SALES							

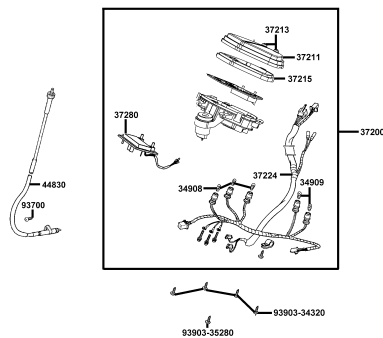
NO	MODEL			COLOR CHART OF KL10BA(GR)			
	PHOTO NO			NO. 5	NO. 6	NO. 7	NO. 8
	BASIC COLOR			Black		Pearly White	
	CODE			Black		Pearly White	
	PARTS NAME	PARTS NO.	VERSION	NH001SA	NH001SA	NH193PA	NH193PA
26	COVER COMP L	11340-LEJ2-E10	0	NEA			
27	WHEEL ASSY RR	42600-LFC2-E10	1				
28	FENDER FR	61100-LFC2-E10	1				
29	MIRROR ASSY R BACK	88110-LEB5-C11	0	NEP			
30	MIRROR ASSY L BACK	88120-LEB5-C11	0				
31	FORK ASSY R FR	51400-LFC2-E80	0	NGA			
32	FORK ASSY L FR	51500-LFC2-E80	0				
33	CARRIER RR	81200-LFC2-E10	1	NJA			
34	CAP FR COVER	64303-LFC2-E10	1	NVP		N1P	
35	EMB BODY COVER	86202-LFC2-E10	1				
36	CAUTION ANTI	87224-LEJ2-EZ0	1				
37	LABEL TIRE	87505-LFC2-E10	2				
38	MARK MAINT CAUTION	87541-GAR1-C01	1	T01			
39	LABEL OIL CAP	87541-KGBG-E00	0				
40	MARK MAINT CAUTION	87542-GAR1-E01	2				
41	MARK DRIVE CAUTION	87560-GFY6-C01	3				
42	STRIPE K-LOGO 22MM	86102-LEJ2-E00	2	T01		T03	
DATE OF STARTING-SALES							
DATE OF END-SALES							

CONTENTS - FRAME GROUP

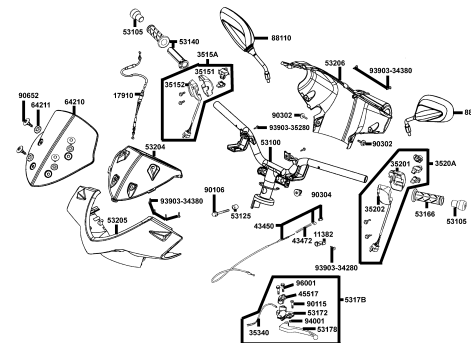
F01 Head Light



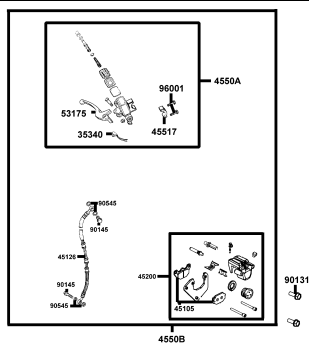
F02 Speedometer



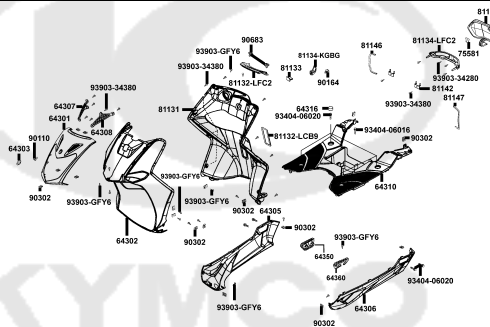
F03 Handle Steering Handle Cover



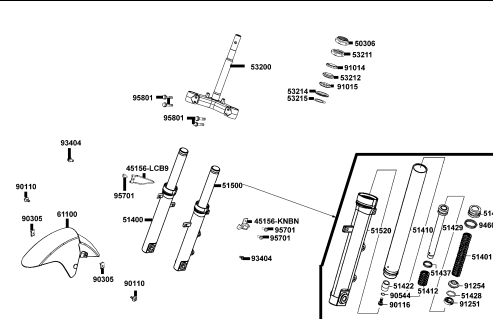
F04 Brake Master Cylinder



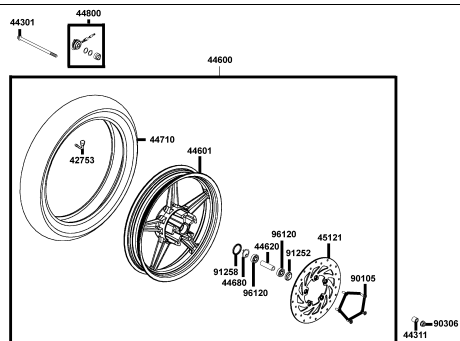
F05 Front Cover Front Fender



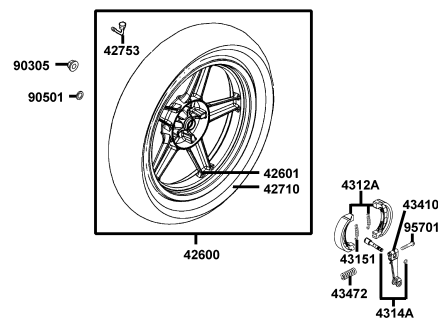
F06 Stem Steering Front Cushion



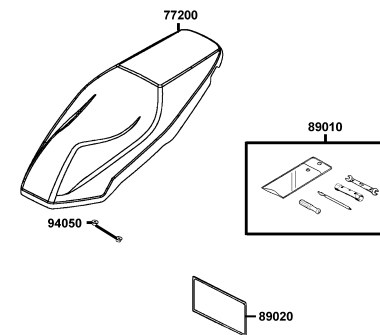
F07 Front Wheel



F08 Rear Wheel

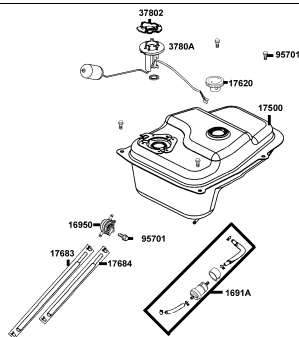


F09 Seat

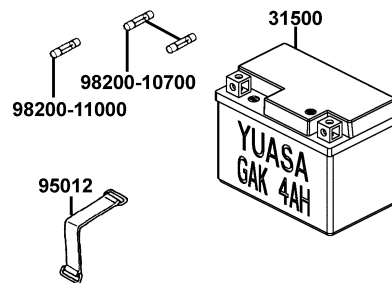


CONTENTS - FRAME GROUP

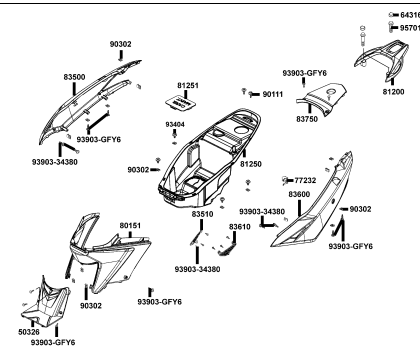
F10 Fuel Tank



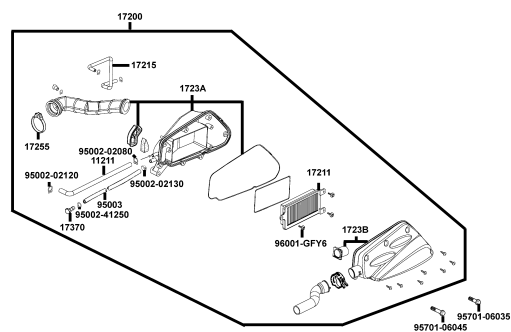
F11 Battery



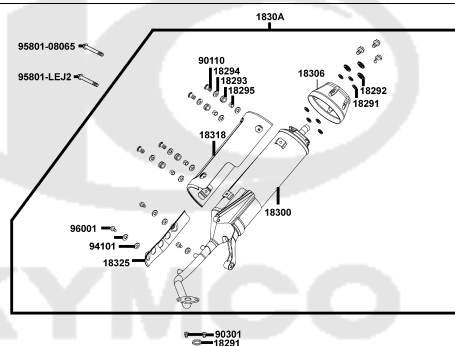
F12 Body Cover Luggage Box



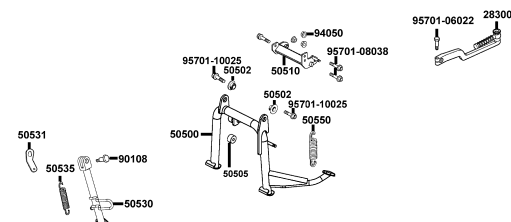
F13 Air Cleaner



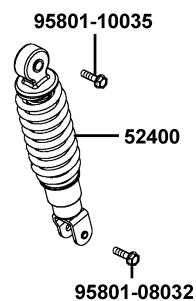
F14 Exhaust Muffler



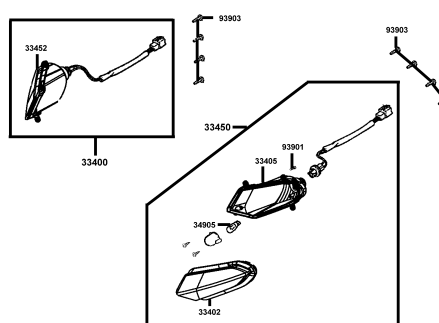
F15 Stand Kick Starter Arm



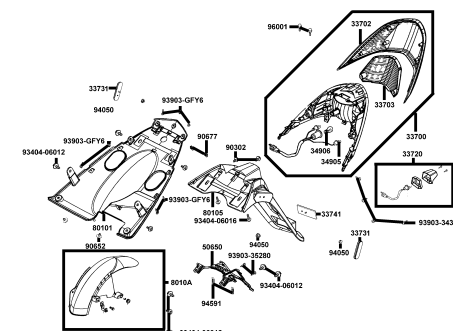
F16 Rear Cushion



F17 Front Winker



F18 Tail Light

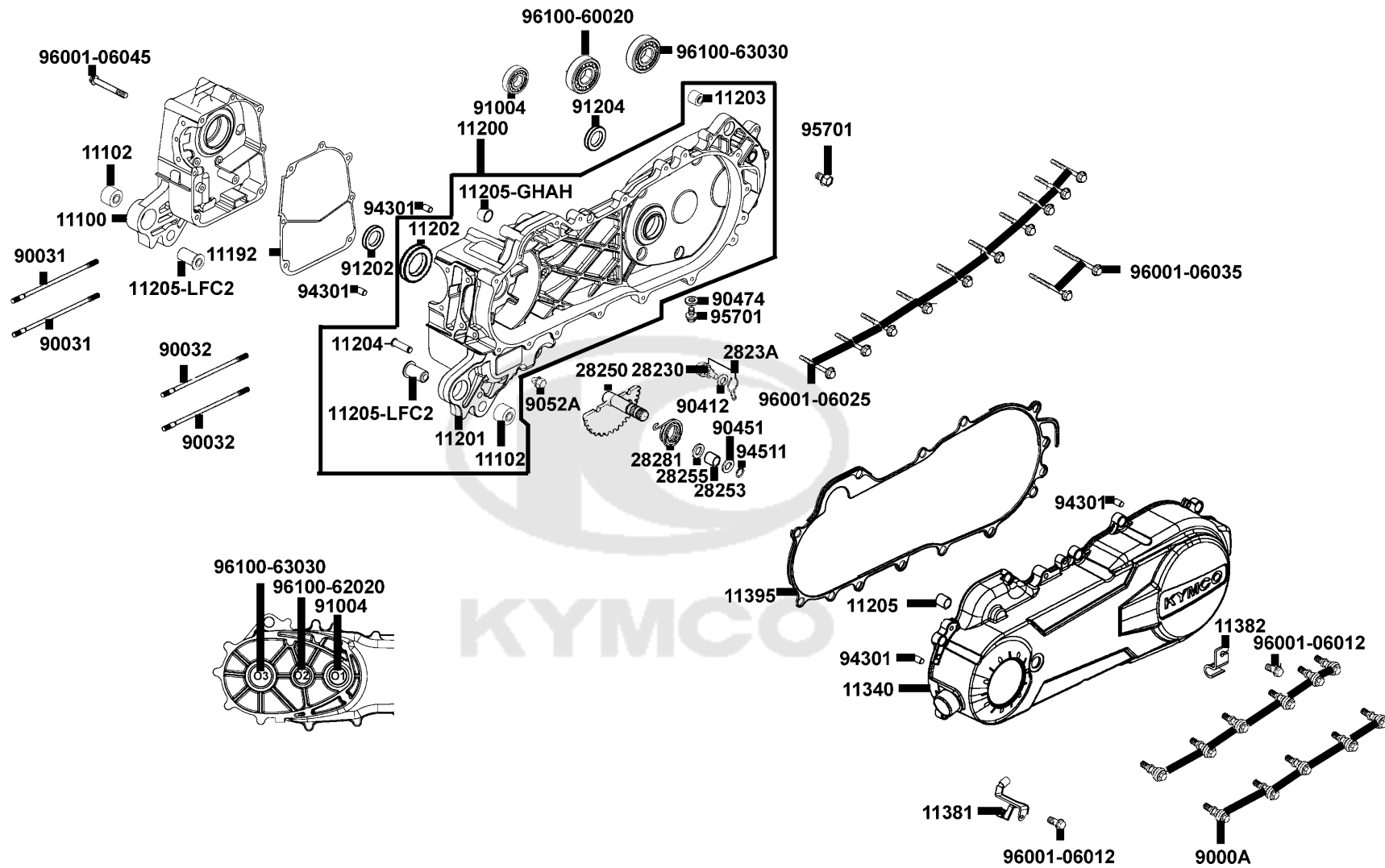


CONTENTS - FRAME GROUP

F19 Wire Harness	F20 Frame Body	F21 Air Cleaner Two
<h2>F22 Emblem Stripe</h2>		

E01

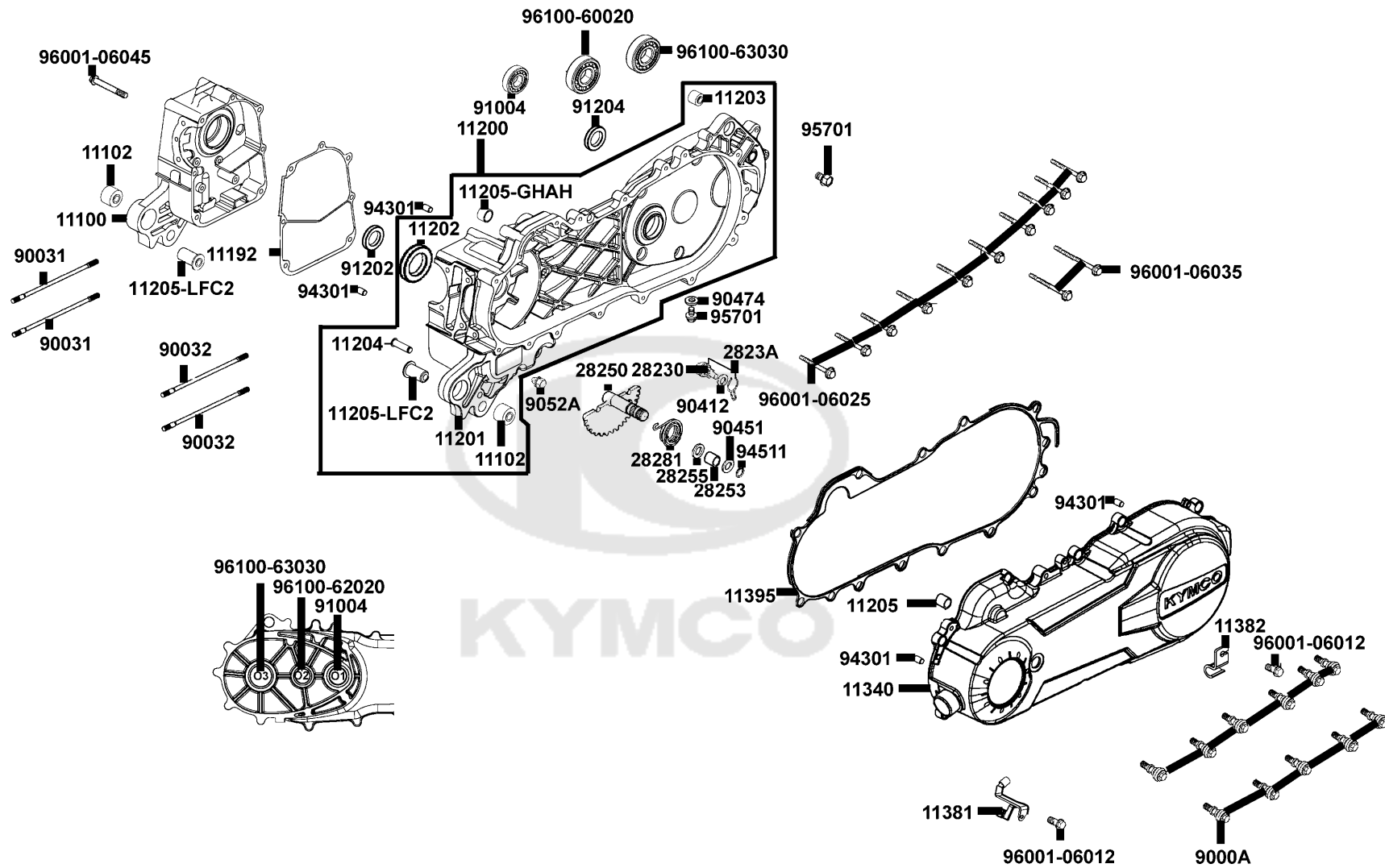
Crank Cas



Sales mark	Ref no	Part no	Description	Reg description	Regd no	E01
	11100	11100-LFC2-E10	CRANK CASE COMP RIGHT	CRANK CASE COMP RIGHT	1	
	11102	11102-1G87-C00	RUBBER BUSH ENGINE HANGER	RUBBER BUSH ENGINE HANGER	1	
	11192	11192-KGBG-C10	GASKET CRANK CASE @ A	GASKET CRANK CASE @ A	1	
	11200	11200-LFC2-E10	CRANK CASE COMP L	CRANK CASE COMP L	1	
	11201	11201-LCD2-E00	CRANK CASE COMP L	CRANK CASE COMP L	1	
	11202	11202-KGBG-900	BUSH L 47MM	BUSH L 47MM	1	
	11203	11203-GGC7-W10	UNDER RUBBER BUSH RR CUSHION	UNDER RUBBER BUSH RR CUSHION	1	
	11204	11204-LEJ2-E10	PIN SPG HOOK	PIN SPG HOOK	1	
	11205-GHAH	11205-GHAH-C00	BUSH 8*12*8	BUSH 8*12*8	1	
	11205-LFC2	11205-LFC2-E10	BUSH MAIN STAND	BUSH MAIN STAND	1	
**	11340	11340-LEJ2-E10	COVER COMP L SIDE(NH105)	COVER COMP L SIDE(NH105)	1	
	11381	11381-LBC9-C00	CLAMPER THROTTLE CABLE	CLAMPER THROTTLE CABLE	1	
	11382	11382-LCD2-E00	CLAMPER BRAKE CABLE	CLAMPER BRAKE CABLE	1	
	11395	11395-LCD2-C00	GASKET L COVER	GASKET L COVER	1	
	28230	28230-GHAH-7210	GEAR COMP KICK DRIVEN	GEAR COMP KICK DRIVEN	1	
	2823A	2823A-LBD6-C00	GEAR ASSY KICK DRIVEN	GEAR ASSY KICK DRIVEN	1	
	28250	28250-LEJ2-E10	SPINDLE COMP KICK STARYER	SPINDLE COMP KICK STARYER	1	
	28253	28253-GBN2-C00	BUSH KICK SPDL	BUSH KICK SPDL	1	
	28255	28255-GFS6-C00	COLLAR KICK BOSS	COLLAR KICK BOSS	1	
	28281	28281-GBN2-C00	SPRING KICK RETURN	SPRING KICK RETURN	1	

E01

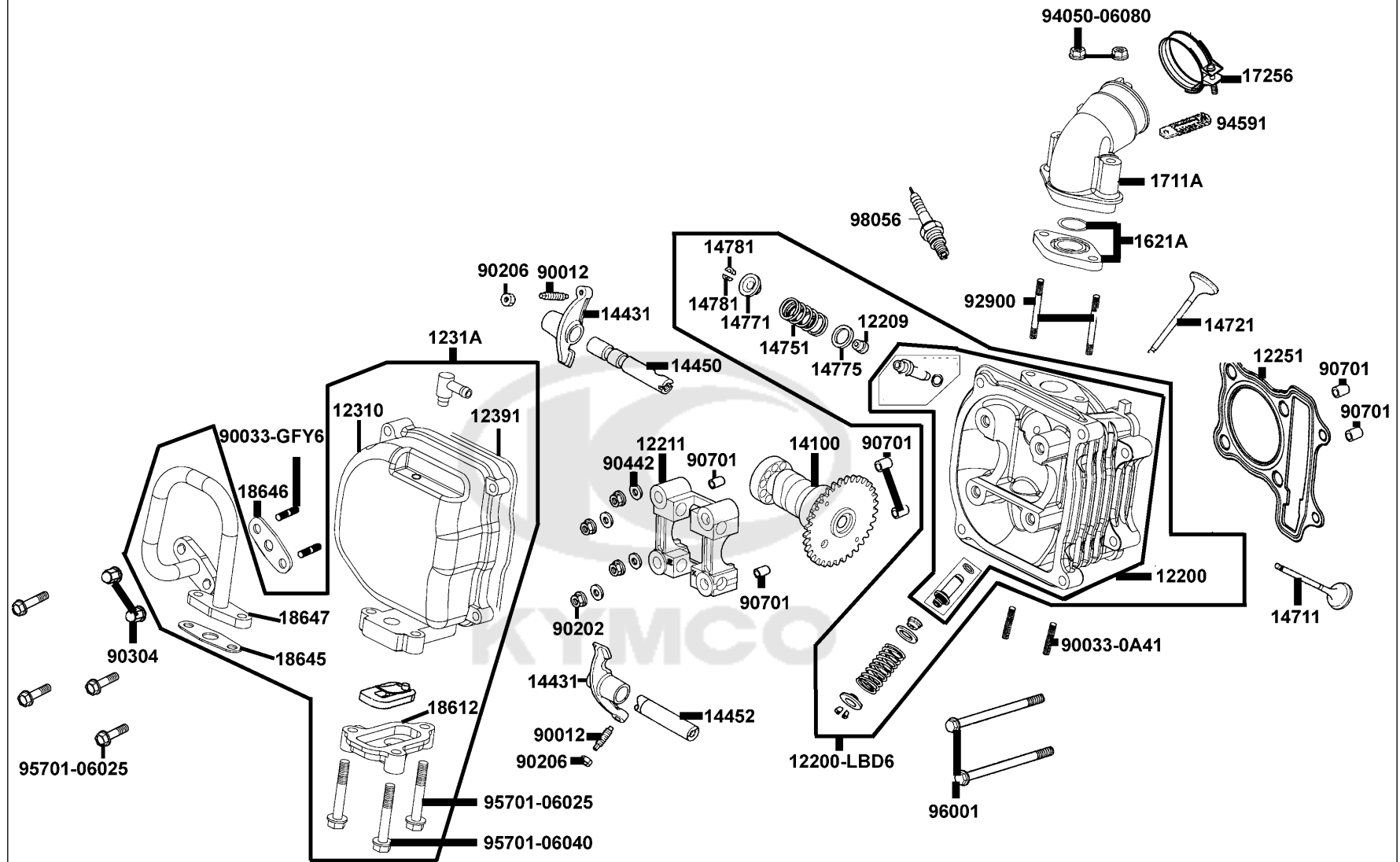
Crank Cas



Sales mark	Ref no	Part no	Description	Reg description	Regd no	E01
9000A		9000A-LEJ2-E10	BOLT ASSY SPECIAL 6*29.5	BOLT ASSY SPECIAL 6*29.5	11	
90031		90031-KGBG-C00	BOLT A STUD 7x168	BOLT A STUD 7x168	1	
90032		90032-KGBG-C00	BOLT B STUD 7x176	BOLT B STUD 7x176	1	
90412		90412-3K29-C00	WASHER THRUST 10M/M	WASHER THRUST 10M/M	1	
90451		90451-GBN2-C00	WASHER KICK SPINDLE	WASHER KICK SPINDLE	1	
90474		90474-3C33-C00	WASHER 8MM (T*2)	WASHER 8MM (T*2)	1	
9052A		9052A-GFY6-C00	BLOT ASSY DRAIN PLUG	BLOT ASSY DRAIN PLUG	1	
91004		91004-KNBN-C00	BRG BALL RADIAL 6203 SPC	BRG BALL RADIAL 6203 SPC	1	
91202		91201-GFY6-C00	OIL SEAL 19.8*30*5	OIL SEAL 19.8*30*5	1	
91204		91204-KNBN-C00	OIL SEAL 17*30*6	OIL SEAL 17*30*6	1	
94301		94301-08140	DOWEL PIN 8*14	DOWEL PIN 8*14	4	
94511		94511-14000	CIR CLIP EX 14	CIR CLIP EX 14	1	
95701		95701-08012-08	BOLT FLANGE 8*12 (C)	BOLT FLANGE 8*12 (C)	2	
96001-06012		96001-06012-08	BOLT FLANGE 6*12	BOLT FLANGE 6*12	2	
96001-06025		96001-06025-08	BOLT FLANGE SH 6*25 (C)	BOLT FLANGE SH 6*25 (C)	10	
96001-06035		96001-06035-08	BOLT FLANGE SH 6*35 (C)	BOLT FLANGE SH 6*35 (C)	2	
96001-06045		96001-06045-08	BOLT FLANGE SH 6*45 (C)	BOLT FLANGE SH 6*45 (C)	1	
96100-60020		96100-60020-00	BEARING BALL RADIAL 6002	BEARING BALL RADIAL 6002	1	
96100-62020		96100-62020-00	BEARING BALL RADIAL 6202	BEARING BALL RADIAL 6202	1	
96100-63030		96100-63030-00	BEARING BALL RADIAL 6303	BEARING BALL RADIAL 6303	1	

E02

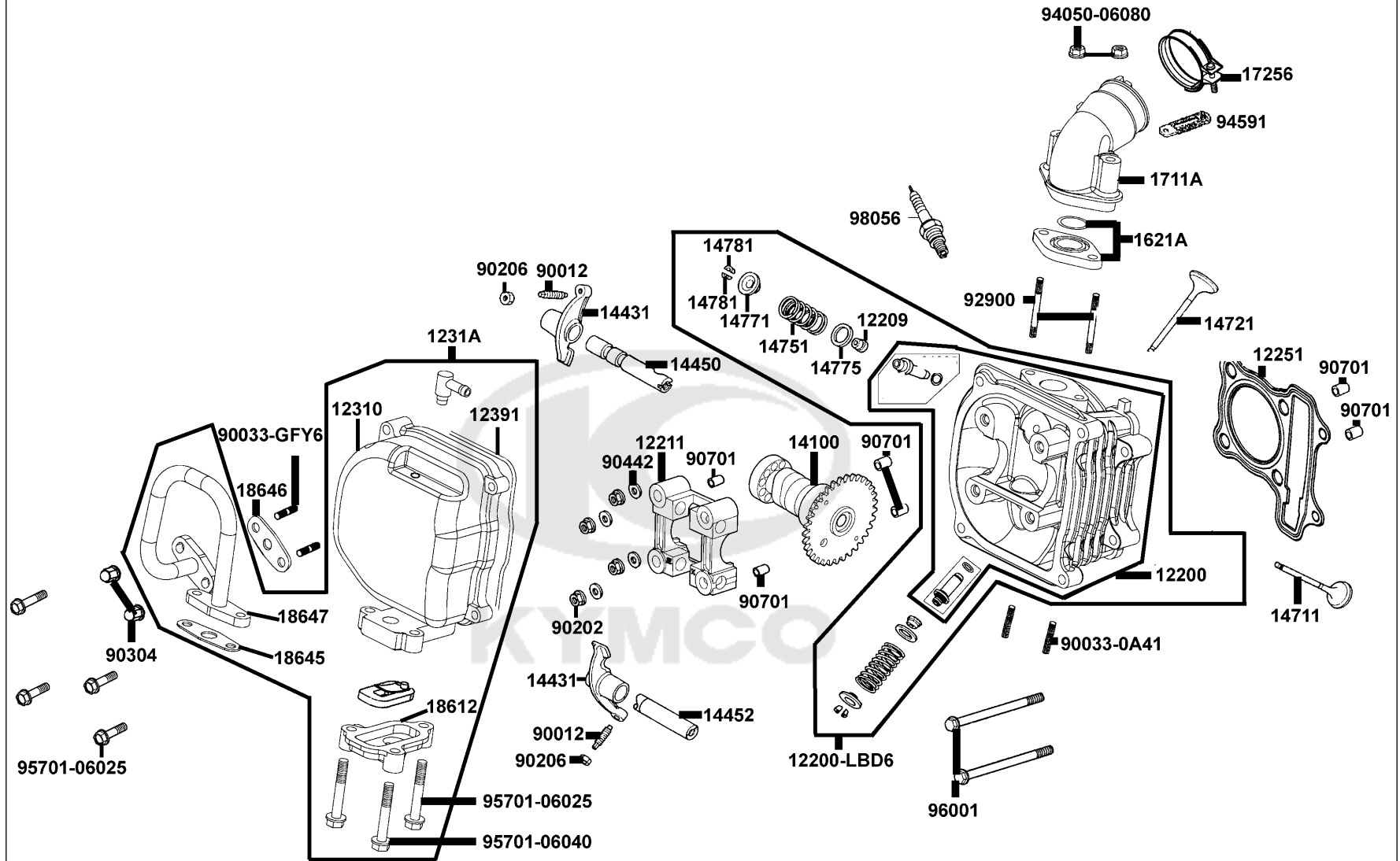
Cylinder Head



Sales mark	Ref no	Part no	Description	Reg description	Regd no	E02
	12200-KGBG	12200-KGBG-C10	HEAD COMP CYLN	HEAD COMP CYLN	1	
	12200-LBD6	12200-LBD6-C00	HEAD SET.,CYLN.	HEAD SET.,CYLN.	1	
	12209	12209-GDB4-C00	SEAL VALVE STEM	SEAL VALVE STEM	1	
	12211	12211-KGBG-C00	HOLDER,CAM SHAFT	HOLDER,CAM SHAFT	1	
	12251	12251-KGBG-C00	GASKET CYLINDER HEAD	GASKET CYLINDER HEAD	1	
	12310	12310-KHC5-C00	COVER COMP HEAD	COVER COMP HEAD	1	
	1231A	1231A-KHC5-C10	COVER ASSY HEAD	COVER ASSY HEAD	1	
	12391	12391-KEE1-C00	GASKET HEAD COVER	GASKET HEAD COVER	1	
	14100	14100-KGBG-C00	SHAFT COMP. CAM	SHAFT COMP. CAM	1	
	14431	14431-KGBG-W10	ARM VALVE ROCKER	ARM VALVE ROCKER	2	
	14450	14450-KGBG-W10	SHAFT COMP IN ROCKER ARM	SHAFT COMP IN ROCKER ARM	1	
	14452	14452-KGBG-W10	SHAFT EXH ROCKER ARM	SHAFT EXH ROCKER ARM	1	
	14711	14711-KGBG-C00	VALVE INLET	VALVE INLET	1	
	14721	14721-KGBG-C00	VALVE EXHAUST	VALVE EXHAUST	1	
	14751	14751-GEN5-C00	SPRING VALVE OUTER	SPRING VALVE OUTER	1	
	14771	14771-GDB4-C00	RETAINER VALVE SPRING	RETAINER VALVE SPRING	2	
	14775	14775-MFA6-C00	SEAT VALVE SPG OUTER	SEAT VALVE SPG OUTER	1	
	14781	14781-MFA6-C00	COTTER VALVE	COTTER VALVE	1	
	1621A	1621A-KGBG-C00	INSULATOR CARB ASSY	INSULATOR CARB ASSY	1	
	1711A	1711A-LEJ2-E10	PIPE ASSY INLET	PIPE ASSY INLET	1	

E02

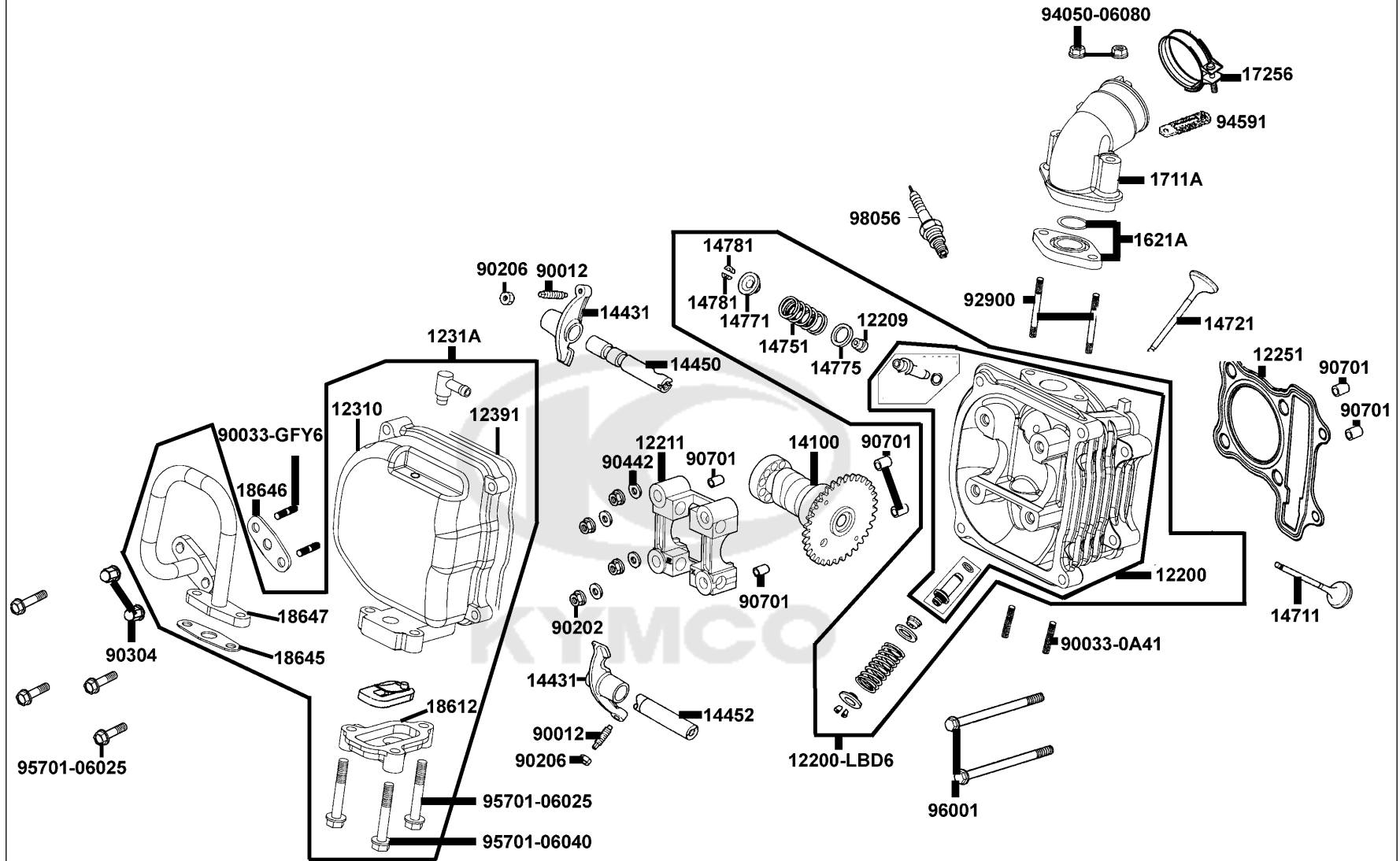
Cylinder Head



Sales mark	Ref no	Part no	Description	Reg description	Regd no	E02
	17256	17256-KGBG-C00	ELEMENT AIR CLEANER	ELEMENT AIR CLEANER	1	
	18612	18612-GFY6-C00	COVER REED VALVE	COVER REED VALVE	1	
	18645	18645-GFY6-C00	GASKET A/I PIPE	GASKET A/I PIPE	1	
	18646	18646-LDC8-E10	GASKET A/I PIPE	GASKET A/I PIPE	1	
	18647	18647-GFY6-C00	PIPE COMP AIR	PIPE COMP AIR	1	
	90012	90012-3C33-C00	SCREW TAPPET ADJUSTING	SCREW TAPPET ADJUSTING	1	
	90033	90033-0A41-C00	BOLT STUD 6*32	BOLT STUD 6*32	1	
	90033-GFY6	90033-GFY6-C10	BOLT STUD 6*16	BOLT STUD 6*16	1	
	90202	90202-GFF6-011	NUT FLANGE 7MM	NUT FLANGE 7M/M	2	
	90206	90206-0A01-C00	NUT TAPPET ADJG	NUT TAPPET ADJG	1	
	90304	90304-4H38-C00	NUT HEX CAP 6MM	NUT HEX CAP 6MM	1	
	90442	90442-GFF6-C00	WASHER SEALING 7MM	WASHER SEALING 7MM	1	
	90701	90701-GFF6-C00	PIN DOWEL SPECIAL 8*14	PIN DOWEL SPECIAL 8*14	1	
	92900	92900-06050-0B	BOLT STUD 6*50	BOLT STUD 6*50	4	
	94050	94050-06080	NUT FLANG 6MM	NUT FLANG 6MM	2	
	94591	94591-LDC8-E10	CLIP BIND	CLIP BIND	1	
	95701-06025-00	95701-06025-00	BOLT FLANGE 6*25 (B)	BOLT FLANGE 6*25 (B)	1	
	95701-06025-08	95701-06025-08	BOLT FLANGE 6*25	BOLT FLANGE 6*25	1	
	95701-06040	95701-06040-00	BOLT FLANGE 6*40 (B)	BOLT FLANGE 6*40 (B)	2	
	96001	96001-06085-08	BOLT FLANGE SH 6*85(C)	BOLT FLANGE SH 6*85(C)	2	

E02

Cylinder Head



Sales mark	Ref no	Part no	Description	Reg description	Regd no	E02
------------	--------	---------	-------------	-----------------	---------	------------

98056

98056-5771R-00

SPARK PLUG

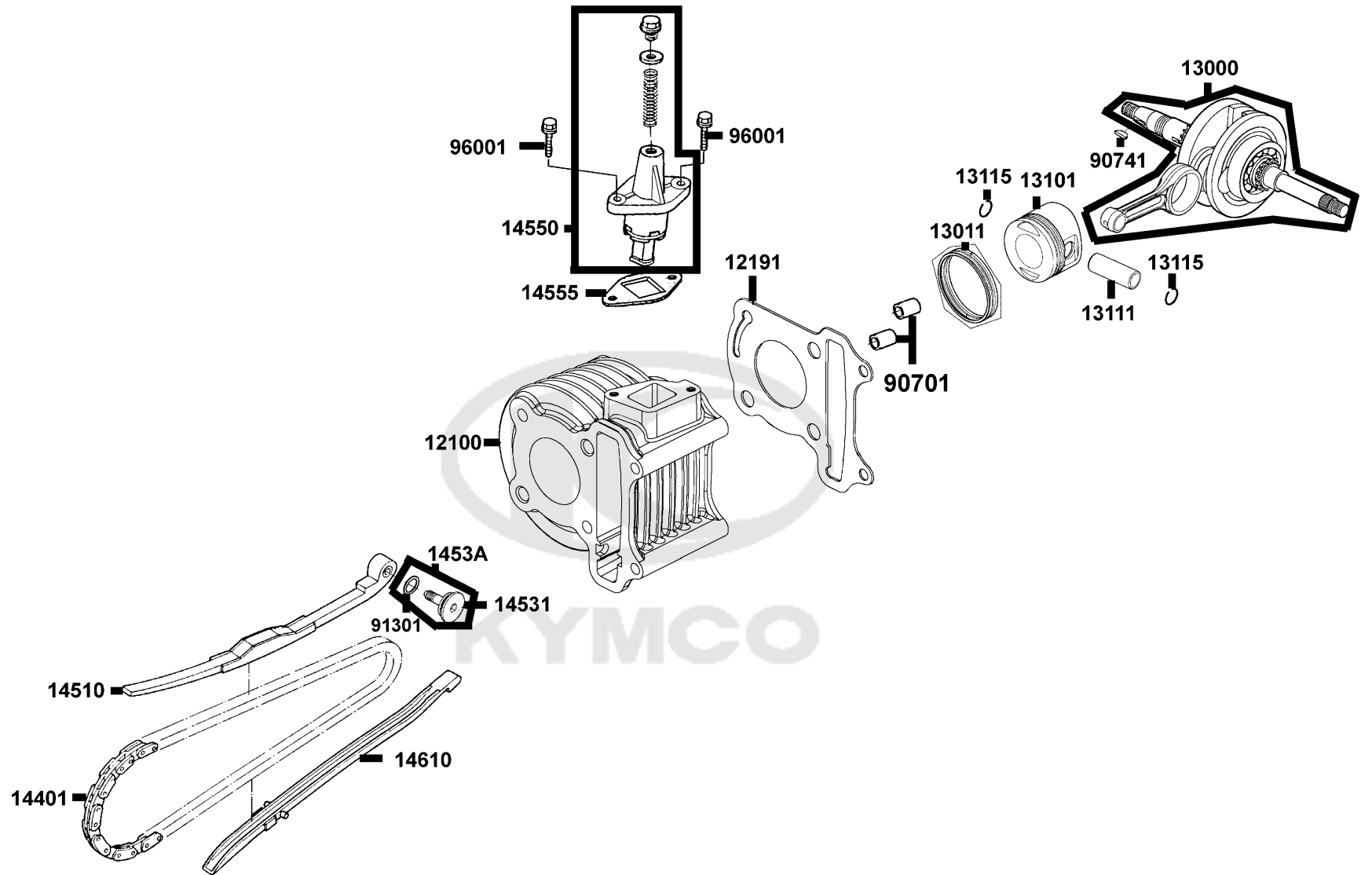
SPARK PLUG

2



E03

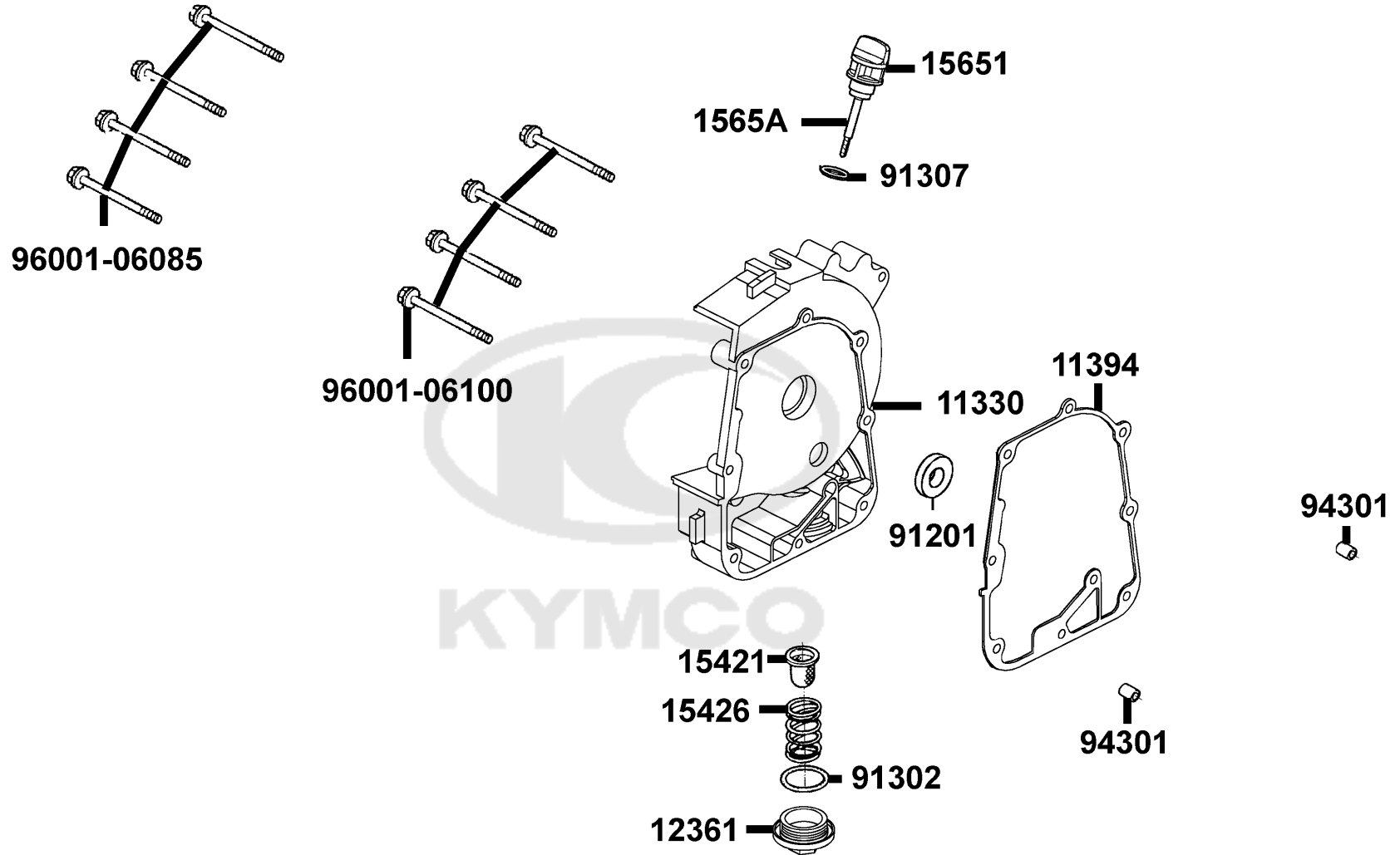
Cylinder Piston Crankshaft



Sales mark	Ref no	Part no	Description	Reg description	Regd no	E03
12100		12100-KGBG-A60	CYLINDER COMP	CYLINDER COMP	1	
12191		12191-KGBG-900	GASKET CYLINDER	GASKET CYLINDER	1	
13000		13000-LDC5-C00	CRANK SHAFT COMP.	CRANK SHAFT COMP.	1	
13011		13011-KGBG-C00	RING PISTON TOP	RING PISTON TOP	1	
13101		13101-LCB9-B20	PISTON	PISTON	1	
13111		13111-KGBG-C00	PIN,PISTON	PIN,PISTON	1	
13115		13115-0A01-C00	CLIP PISTON PIN 12MM	CLIP PISTON PIN 12MM	1	
14401		14401-KGBG-900	CHAIN CAM	CHAIN CAM	1	
14510		14510-KGBG-C00	TENSIONER CAM CHAIN	TENSIONER CAM CHAIN	1	
14531		14531-GLR0-W10	PIVOT CAM CHAIN TENSIONER	PIVOT CAM CHAIN TENSIONER	1	
1453A		1453A-GFY6-W10	PIVOT CAM CHAIN SET	PIVOT CAM CHAIN SET	1	
14550		14550-LDC8-C10	ADJUSTER CAM CHAIN	ADJUSTER CAM CHAIN	1	
14555		14555-KKJ9-C10	GASKET CAM CHAIN ADJUSTER	GASKET CAM CHAIN ADJUSTER	1	
14610		14610-KGBG-C00	GUIDE COMP. CAM CHAIN	GUIDE COMP. CAM CHAIN	1	
90701		90701-GFF6-C00	PIN DOWEL SPECIAL 8*14	PIN DOWEL SPECIAL 8*14	1	
90741		90741-0E35-C00	KEY WOODRUFF	KEY WOODRUFF	1	
91301		91301-GLR0-W10	O-RING 15.2*1.5	O-RING 15.2*1.5	1	
96001		96001-06018-08	BOLT FLANGE SH 6*18 (C)	BOLT FLANGE SH 6*18 (C)	2	

E04

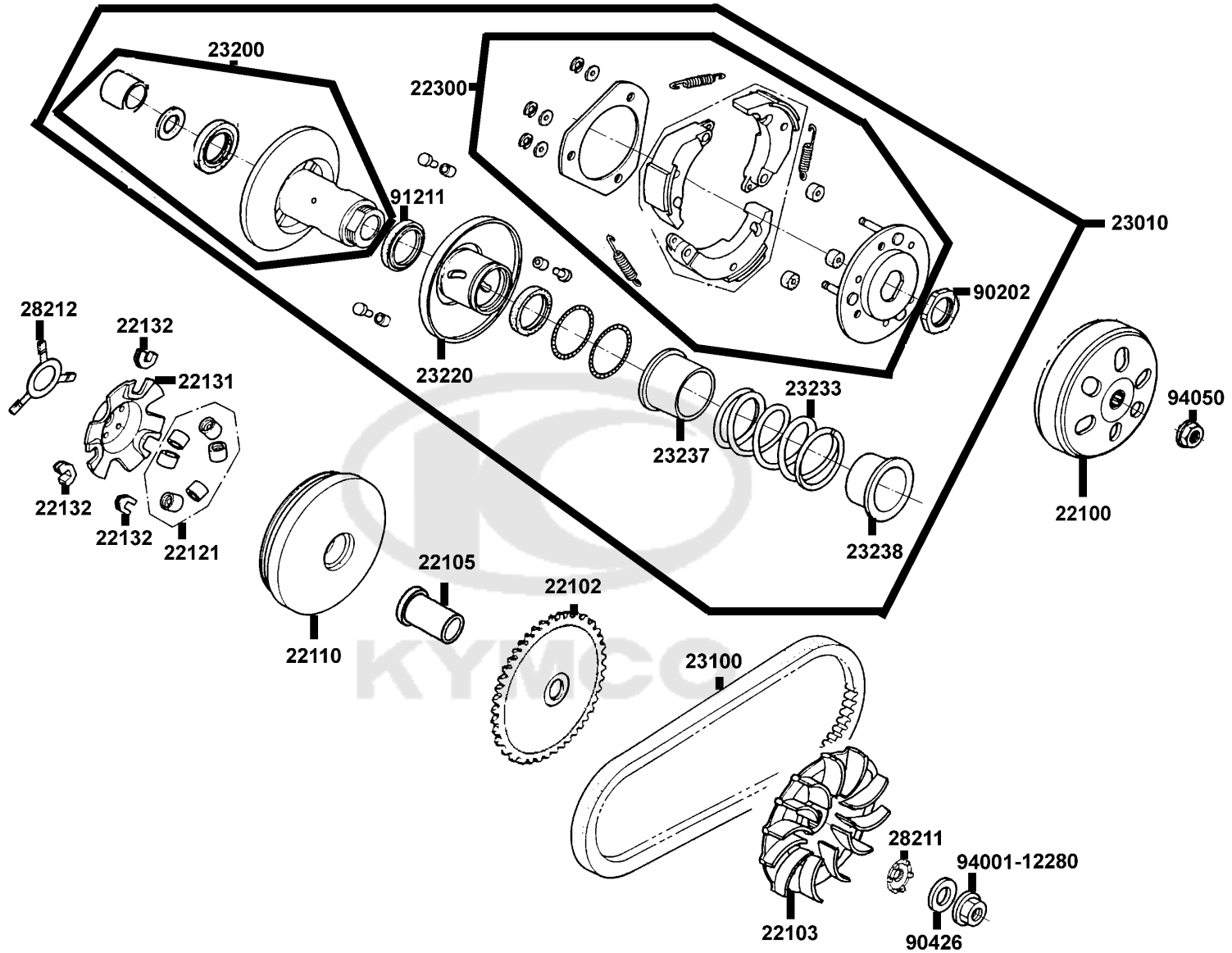
Right Crankcase Cover



Sales mark	Ref no	Part no	Description	Reg description	Regd no	E04
11330		11330-LBD6-C00	COVER COMP R CRANK CASE	COVER COMP R CRANK CASE	1	
11394		11394-KGBG-C00	GASKET R COVER	GASKET R COVER	1	
12361		12361-GFY6-C00	HOLE CAP TAPPET ADJUSTING	HOLE CAP TAPPET ADJUSTING	1	
15421		15421-1G07-W10	SCREEN OIL FILTER	SCREEN OIL FILTER	1	
15426		15426-GAE1-C00	SPG OIL FILTER SCREEN	SPG OIL FILTER SCREEN	1	
15651		15651-GFY6-C00	GAUGE OIL LEVEL	GAUGE OIL LEVEL	1	
1565A		1565A-GFY6-W10	GAUGE OIL LEVEL ASSY	GAUGE OIL LEVEL ASSY	1	
91201		91201-KGBG-C00	"OIL SEAL, 16.4x30x5"	"OIL SEAL, 16.4x30x5"	1	
91302		91302-0A01-C00	O-RING 30.8	O-RING 30.8	1	
91307		91307-0E35-W10	O-RING18*3	O-RING18*3	1	
94301		94301-08140	DOWEL PIN 8*14	DOWEL PIN 8*14	2	
96001-06085		96001-06085-08	BOLT FLANGE SH 6*85(C)	BOLT FLANGE SH 6*85(C)	4	
96001-06100		96001-06100-08	BOLT FLANGE SH 6*100 (C)	BOLT FLANGE SH 6*100 (C)	4	

E05

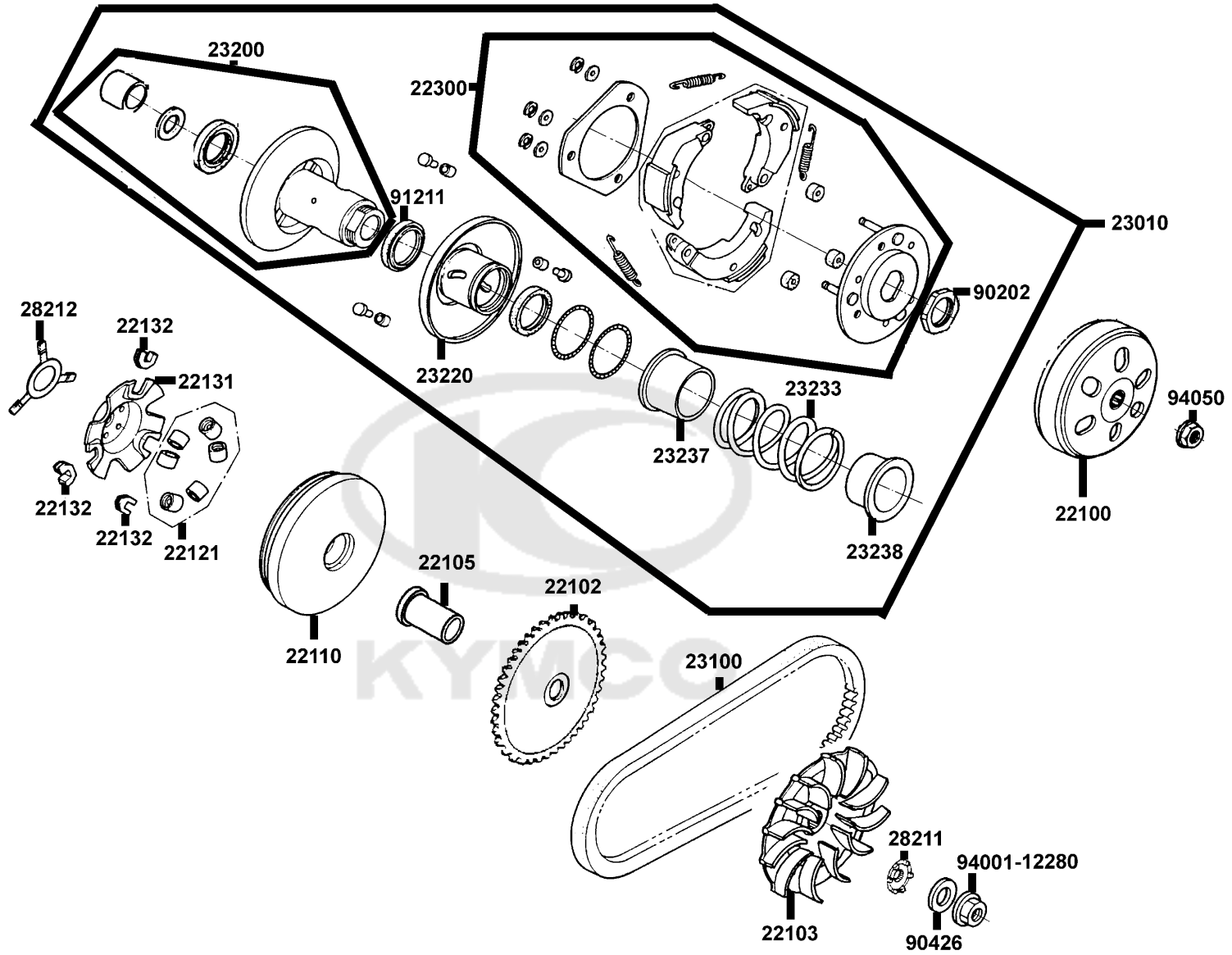
Driven Pulley



Sales mark	Ref no	Part no	Description	Reg description	Regd no	E05
22100		22100-LDC8-E10	"CLUTCH, OUTER"	"CLUTCH, OUTER"	1	
22102		22102-LDC8-E10	FACE DRIVE	FACE DRIVE	1	
22103		22103-KEB7-C00	FAN CVT COOLING	FAN CVT COOLING	1	
22105		22105-LCD2-C00	BOSS, DRIVE FACE	BOSS, DRIVE FACE	1	
22110		22110-LEJ2-E10	FACE COMP MOVABLE DRIVE	FACE COMP MOVABLE DRIVE	1	
22121		22121-LBD6-C00	ROLLER COMP. WEIGHT	ROLLER COMP. WEIGHT	1	
22131		22131-GHAH-C00	PLATE RAMP	PLATE RAMP	1	
22132		22132-GLW0-C00	PIECE SLIDE	PIECE SLIDE	1	
22300		22300-KEE1-C00	PLATE ASSY DRIVE	PLATE ASSY DRIVE	1	
23010		23010-LDC8-E10	PULLEY ASSY DRIVEN	PULLEY ASSY DRIVEN	1	
23100		23100-KEB7-C00	BELT DRIVE	BELT DRIVE	1	
23200		23200-GAR1-C00	FACE ASSY?A DRIVEN	FACE ASSY?A DRIVEN	1	
23220		23220-LDC8-E10	FACE COMP MOVABLE	FACE COMP MOVABLE	1	
23233		23233-KEE1-C10	SPG DRIVEN FACE	SPG DRIVEN FACE	1	
23237		23237-GAR1-C00	COLLAR SEAL	COLLAR SEAL	1	
23238		23238-GGS7-C00	COLLAR SPG	COLLAR SPG	1	
28211		28211-KEB7-W10	RATCHET KICK STARTER	RATCHET KICK STARTER	1	
28212		28212-LEJ2-E10	WASHER KICK STARTER	WASHER KICK STARTER	1	
90202		90202-1G87-C00	NUT SPECIAL 28MM	NUT SPECIAL 28MM	1	
90426		90426-KNBN-C00	WASHER SPECIAL 12MM	WASHER SPECIAL 12MM	1	

E05

Driven Pulley



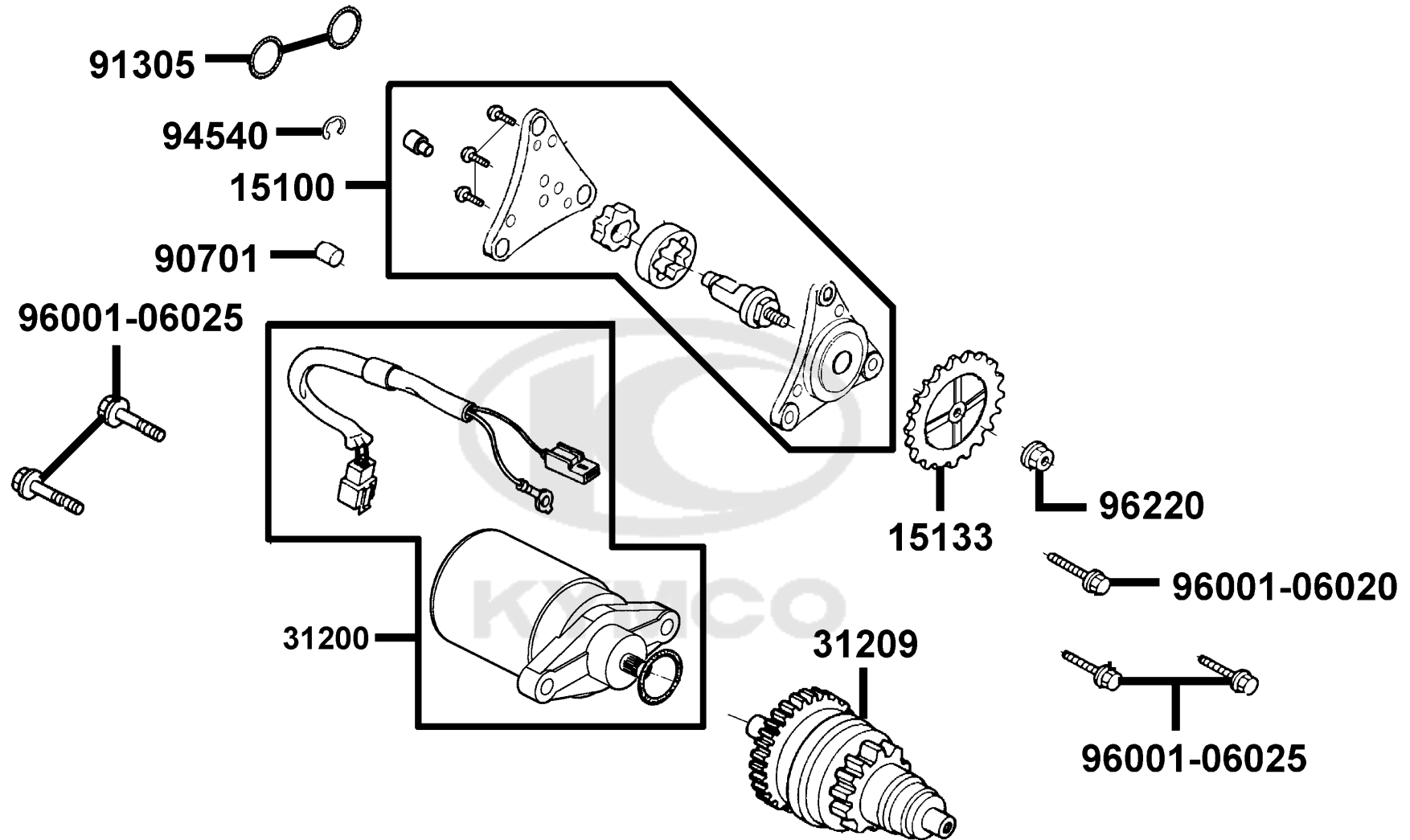
Sales mark	Ref no	Part no	Description	Reg description	Regd no	E05
------------	--------	---------	-------------	-----------------	---------	------------

91211		91211-KEE1-C00	OIL SEAL 34*39*3	OIL SEAL 34*39*3	1	
94001		94001-12280-0S	NUT HEX 12MM (C)	NUT HEX 12MM (C)	1	
94050		94050-10080	NUT HEX 10MM	NUT HEX 10MM	1	

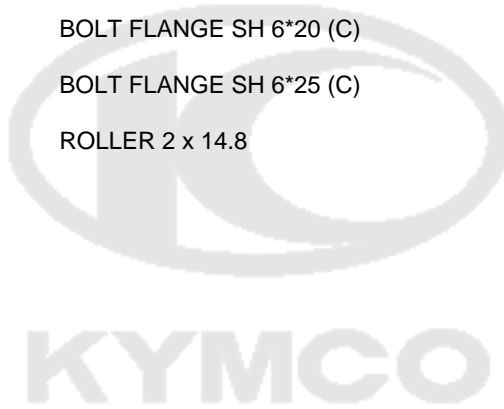


E06

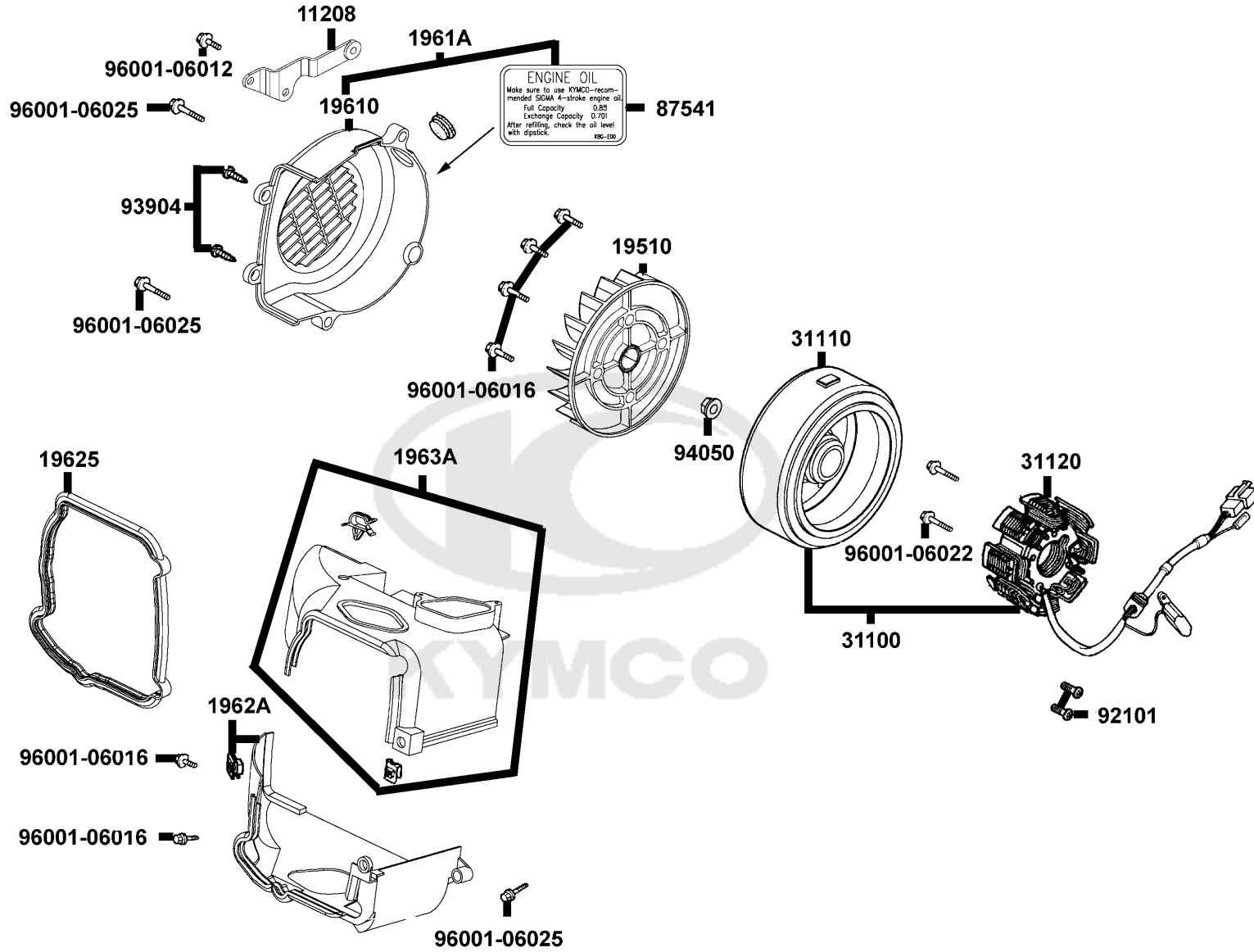
Starting Motor Oil Pump



Sales mark	Ref no	Part no	Description	Reg description	Regd no	E06
15100		15100-LDC5-C00	OIL PUMP ASSY	OIL PUMP ASSY	1	
15133		15133-LDC5-C00	GEAR OIL PUMP DRIVEN	GEAR OIL PUMP DRIVEN	1	
31200		31200-LEJ2-E10	MOTOR ASSY START	MOTOR ASSY START	1	
31209		31209-KEE1-C00	PINION ASSY STARTER	PINION ASSY STARTER	1	
90701		90701-HDC4-C00	DOWEL PIN 8*12	DOWEL PIN 8*12	1	
91305		91305-0H28-C00	O-RING 9*1.6	O-RING 9*1.6	1	
94540		94540-06018	E RING 6	E RING 6	1	
96001-06020		96001-06020-08	BOLT FLANGE SH 6*20 (C)	BOLT FLANGE SH 6*20 (C)	2	
96001-06025		96001-06025-08	BOLT FLANGE SH 6*25 (C)	BOLT FLANGE SH 6*25 (C)	3	
96220		96220-LDC5-C00	ROLLER 2 x 14.8	ROLLER 2 x 14.8	1	



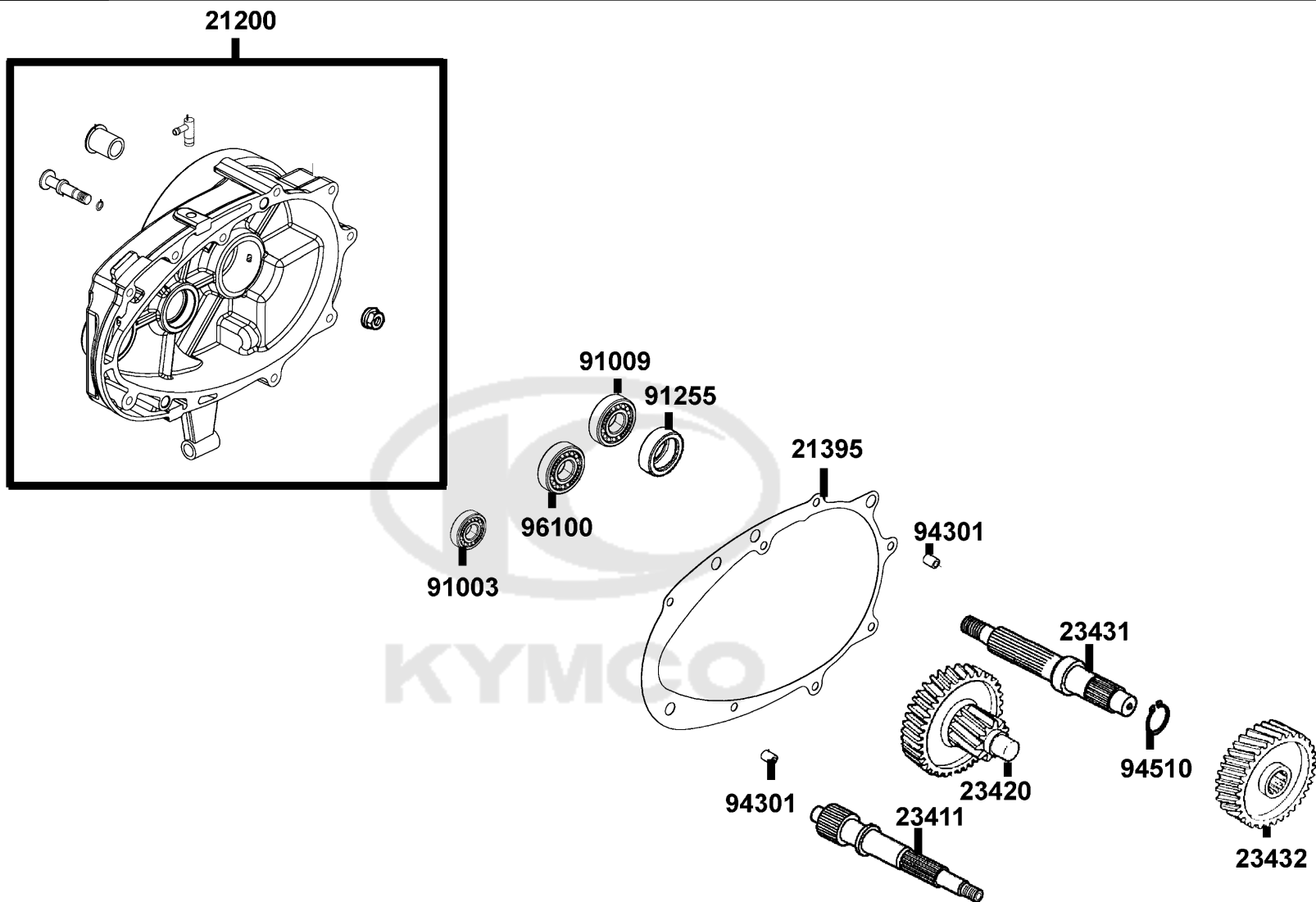
Fan Cover Generator



Sales mark	Ref no	Part no	Description	Reg description	Regd no	E07
	11208	11208-LFC2-E10	STAY RR TIRE FENDER	STAY RR TIRE FENDER	1	
	19510	19510-LDC5-C00	FAN COMP. COOLING	FAN COMP. COOLING	1	
	19610	19610-LFC2-E10	COVER COMP FAN	COVER COMP FAN	1	
	1961A	1961A-KGBG-E01	COVER ASSY FAN	COVER ASSY FAN	1	
	19625	19625-KEE1-C00	SEAL SHROUD	SEAL SHROUD	1	
	1962A	1962A-KEE1-C00	SHROUD ASSY. A	SHROUD ASSY. A	1	
	1963A	1963A-LDC8-E10	SHROUD ASSY B	SHROUD ASSY B	1	
	31100	31100-LEJ2-E11	AC GEN ASSY	AC GEN ASSY	1	
	31110	31110-LEJ2-E11	FLYWHEEL COMP.	FLYWHEEL COMP.	1	
	31120	31120-LEJ2-E10	STATOR COMP.	STATOR COMP.	1	
**	87541	87541-KGBG-E00	LABEL OIL CAP	LABEL OIL CAP	1	
	92101	92101-05012-0H	BOLT HEX 5*12 (C)	BOLT HEX 5*12 (C)	2	
	93904	93904-35380	SCREW TAPPING 5*16 (K)	SCREW TAPPING 5*16 (K)	2	
	94050	94050-10080	NUT HEX 10MM	NUT HEX 10MM	1	
	96001-06012	96001-06012-08	BOLT FLANGE 6*12	BOLT FLANGE 6*12	1	
	96001-06016	96001-06016-08	BOLT FLANGE SH 6*16(C)	BOLT FLANGE SH 6*16(C)	6	
	96001-06022	96001-06022-08	BOLT FLANGE 6*22	BOLT FLANGE 6*22	2	
	96001-06025	96001-06025-08	BOLT FLANGE SH 6*25 (C)	BOLT FLANGE SH 6*25 (C)	3	

E08

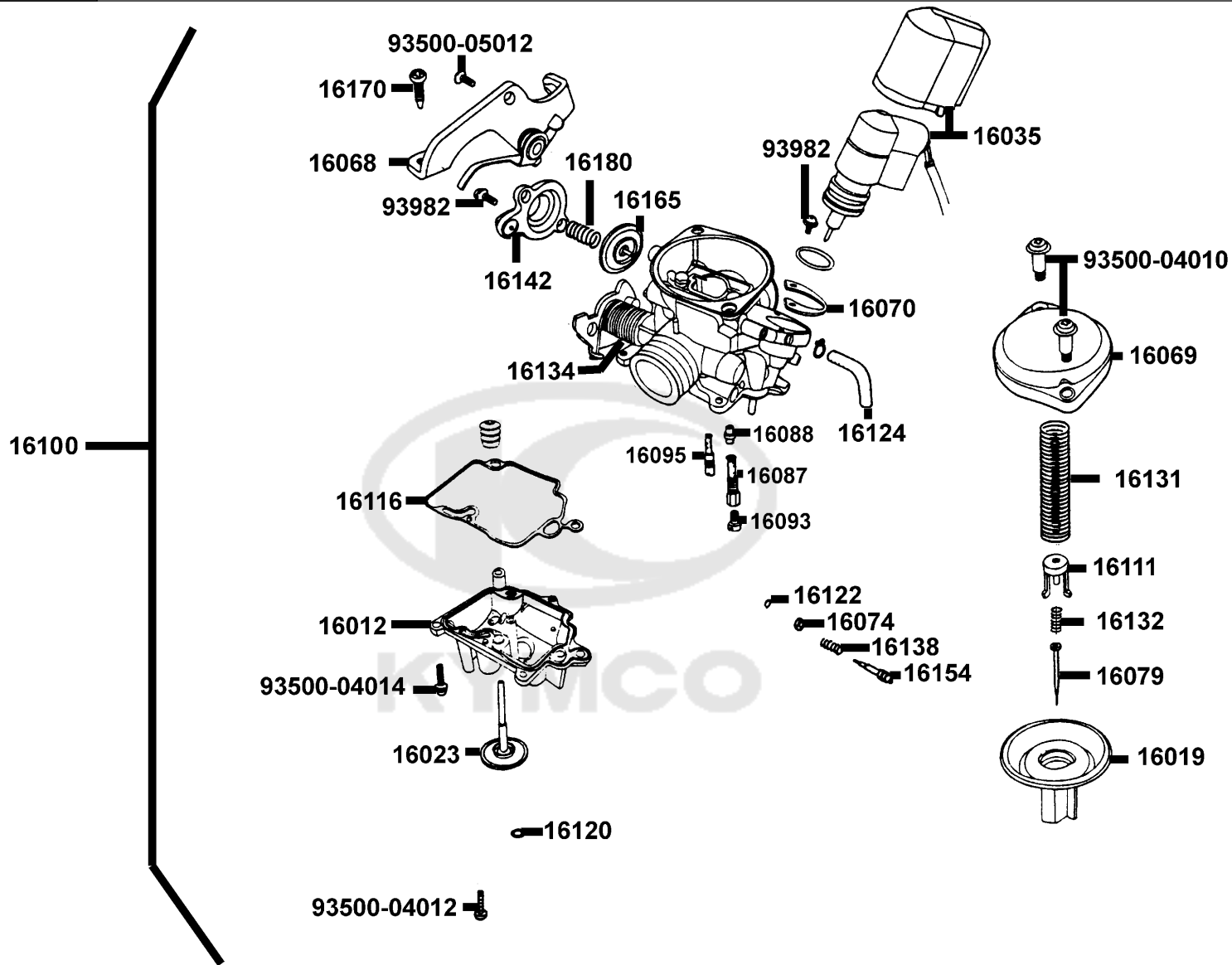
Transmission



Sales mark	Ref no	Part no	Description	Reg description	Regd no	E08
21200		21200-LCD2-C00	CASE COMP MISSION	CASE COMP MISSION	1	
21395		21395-LCD2-C00	GASKET MISSION CASE@A	GASKET MISSION CASE@A	1	
23411		23411-LCD2-C00	SHAFT DRIVE	SHAFT DRIVE	1	
23420		23420-LCD2-C00	SHAFT COMP COUNTER	SHAFT COMP COUNTER	1	
23431		23431-LCD2-E00	SHAFT FINAL	SHAFT FINAL	1	
23432		23432-LCD2-C00	GEAR FINAL	GEAR FINAL	1	
91003		91003-KDS4-C00	BRG BALL RADIAL 6301TMB	BRG BALL RADIAL 6301TMB	1	
91009		91009-GLE0-C00	BRG BALL RADIAL 6004 UU	BRG BALL RADIAL 6004 UU	1	
91255		91255-LDC8-E10	OIL SEAL 27*42*7	OIL SEAL 27*42*7	1	
94301		94301-10160	DOWEL PIN 10*16	DOWEL PIN 10*16	2	
94510		94510-20000	CIR CLIP EX 20	CIR CLIP EX 20	1	
96100		96100-60020-00	BEARING BALL RADIAL 6002	BEARING BALL RADIAL 6002	1	

E09

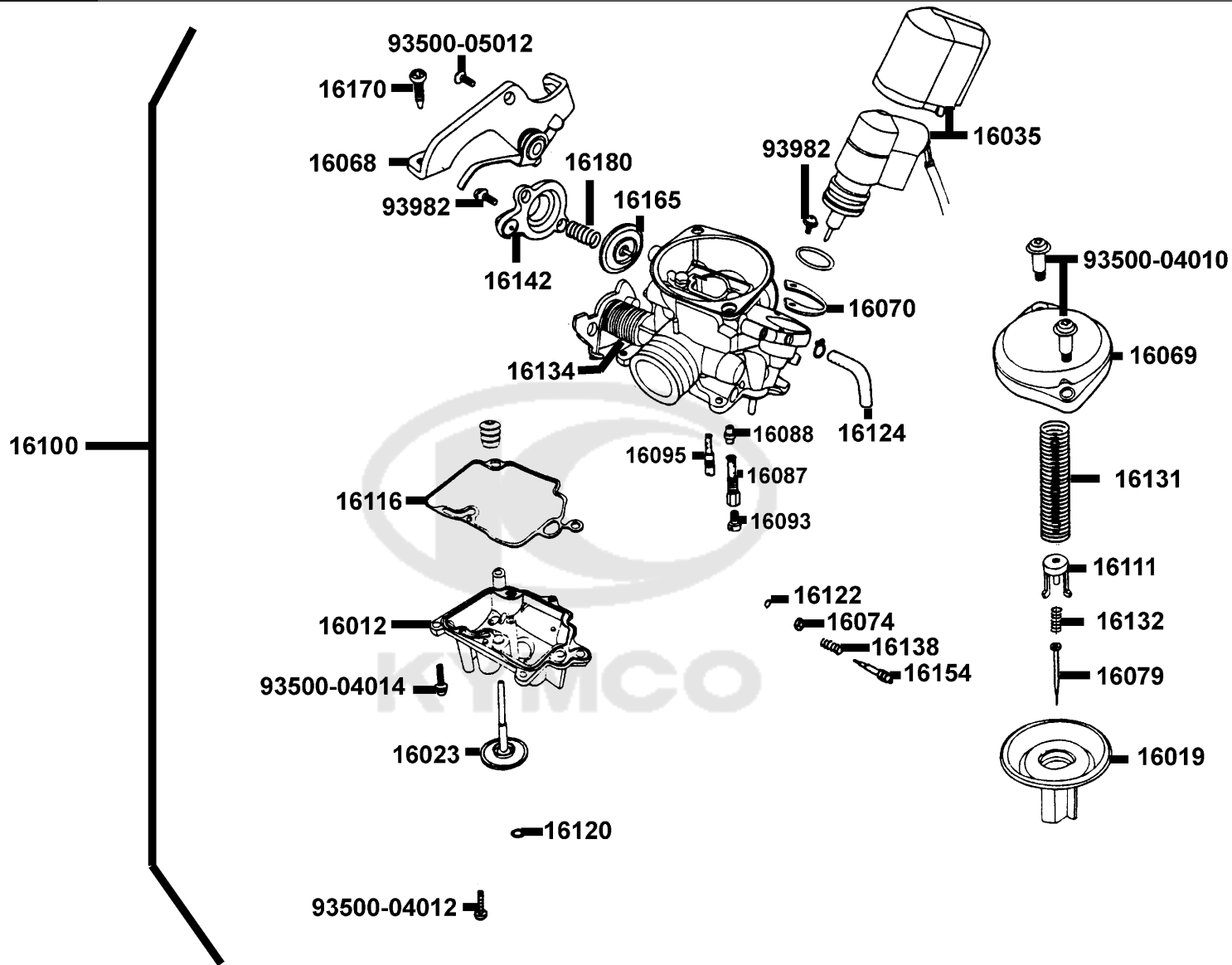
Carburetor



Sales mark	Ref no	Part no	Description	Reg description	Regd no	E09
16012		16012-LDC8-E10	CHAMBER ASSY FLOAT	CHAMBER ASSY FLOAT	1	
16012		16012-LDC8-E10	CHAMBER ASSY FLOAT	CHAMBER ASSY FLOAT	1	
16019		16019-KGC5-900	VALVE ASSY PISTON	VALVE ASSY PISTON	1	
16023		16023-KGC5-900	DIAPHRAGM ASSY ACCP	DIAPHRAGM ASSY ACCP	1	
16035		16035-LDC8-E10	"UNIT,BY-ST"	"UNIT,BY-ST"	1	
16068		16068-KGC5-900	PLATE WIRE FIXED COMPL	PLATE WIRE FIXED COMPL	1	
16068		16068-KGC5-900	PLATE WIRE FIXED COMPL	PLATE WIRE FIXED COMPL	1	
16069		16069-KHC4-900	COVER PISTON VALVE DIASPHRAGM	COVER PISTON VALVE DIASPHRAGM	1	
16070		16070-KEC3-900	STOPPER BY-ST	STOPPER BY-ST	1	
16074		16074-KEC3-900	WASHER IDLE ADJUIST SCERW	WASHER IDLE ADJUIST SCERW	1	
16079		16079-KHC4-900	NEEDLE ASSY JET	NEEDLE ASSY JET	1	
16087		16087-LDC8-E10	TUBE EMUSSION	TUBE EMUSSION	1	
16088		16088-KEC5-900	JET NEEDLE	JET NEEDLE	1	
16088		16088-KEC5-900	JET NEEDLE	JET NEEDLE	1	
16093		16093-KEC3-9000	JET MAIN	JET MAIN	1	
16095		16095-KEC3-9000	JET SLOW	JET SLOW	1	
16100		16100-LEJ2-E10	CARBURETOR ASSY	CARBURETOR ASSY	1	
16111		16111-KEC3-900	STOPPER JET NEEDLE SPG	STOPPER JET NEEDLE SPG	1	
16116		16116-KGC5-900	PACKING FLOAT CHAMBER	PACKING FLOAT CHAMBER	1	
16120		16120-KEC3-900	O-RING ACCP	O-RING ACCP	1	

E09

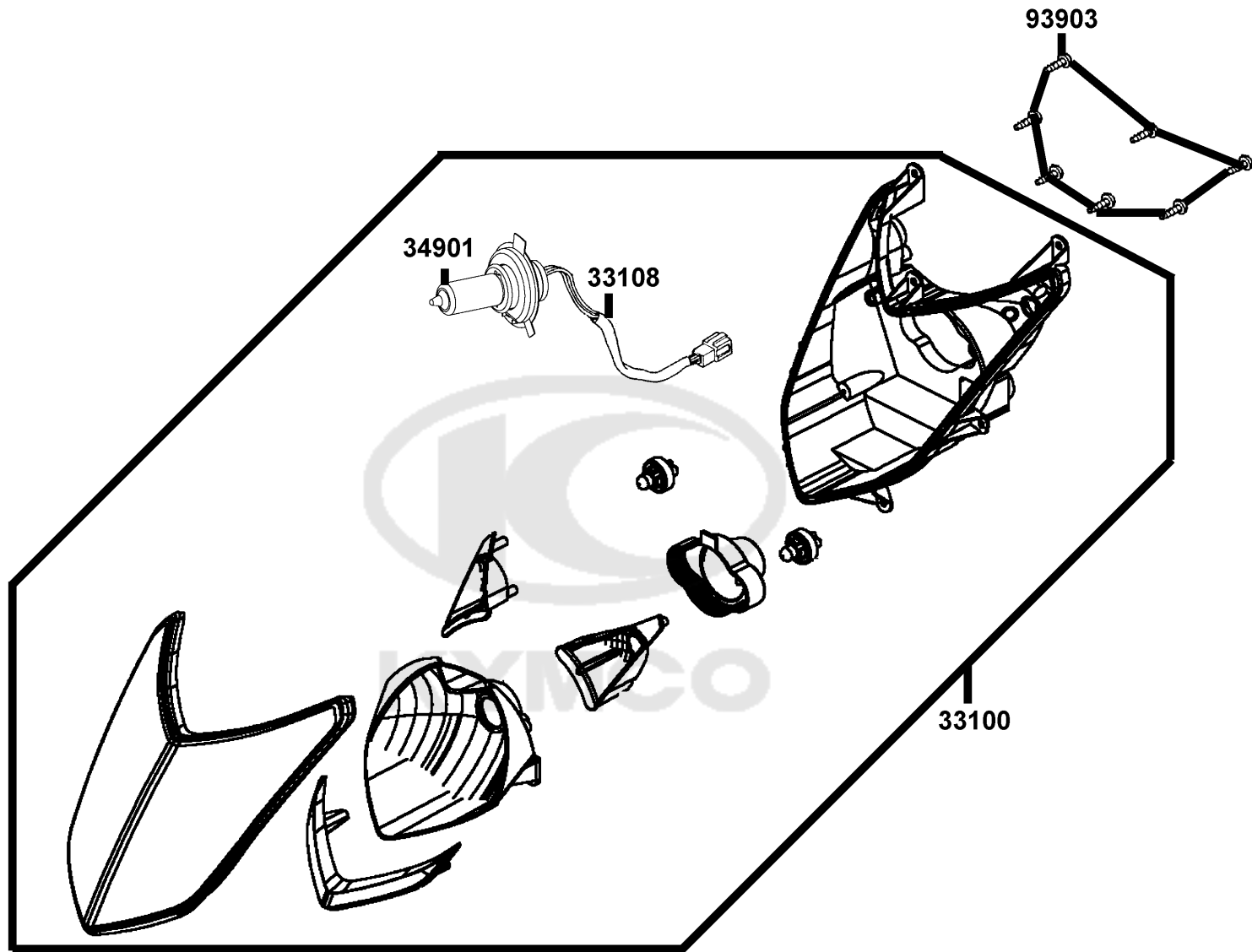
Carburetor



Sales mark	Ref no	Part no	Description	Reg description	Regd no	E09
16122		16122-KEC3-900	O-RING IDLE SCREW	O-RING IDLE SCREW	1	
16124		16124-KEC3-9000	TUBE COMPL 3.5*300	TUBE COMPL 3.5*300	1	
16131		16131-KGC6-900	"SPG,PISTON VALVE RETURN"	"SPG,PISTON VALVE RETURN"	1	
16132		16132-KEC3-900	SPRING JET NEEDLE	SPRING JET NEEDLE	1	
16134		16134-KGC5-900	SPG THROTTLE SHAFT	SPG THROTTLE SHAFT	1	
16138		16138-KGC5-900	SPG IDLE ADJ SCREW	SPG IDLE ADJ SCREW	1	
16142		16142-KGC5-900	COVER ACV	COVER ACV	1	
16154		16154-KGC5-900	SCREW IDLE ADJ	SCREW IDLE ADJ	1	
16154		16154-KGC5-900	SCREW IDLE ADJ	SCREW IDLE ADJ	1	
16165		16165-KGC5-900	DIAPHRAGM COMP	DIAPHRAGM COMP	1	
16170		16170-KGC5-900	SCREW THROTTLE ADJUST	SCREW THROTTLE ADJUST	1	
16180		16180-KGC5-900	SPRING ACV	SPRING ACV	1	
93500-04010		93500-04010-1A	SCREW PAN 4*10 (B)	SCREW PAN 4*10 (B)	1	
93500-04012		93500-04012-1A	SCREW PAN 4*12(B)	SCREW PAN 4*12(B)	1	
93500-04014		93500-04014-1A	SCREW PAN 4*14(B)	SCREW PAN 4*14(B)	1	
93500-05012		93500-05012-1A	SCREW PAN 5*12(B)	SCREW PAN 5*12(B)	1	
93982		93982-04008-18	SCREW WASHER 4*08	SCREW WASHER 4*08	2	

F01

Head Light



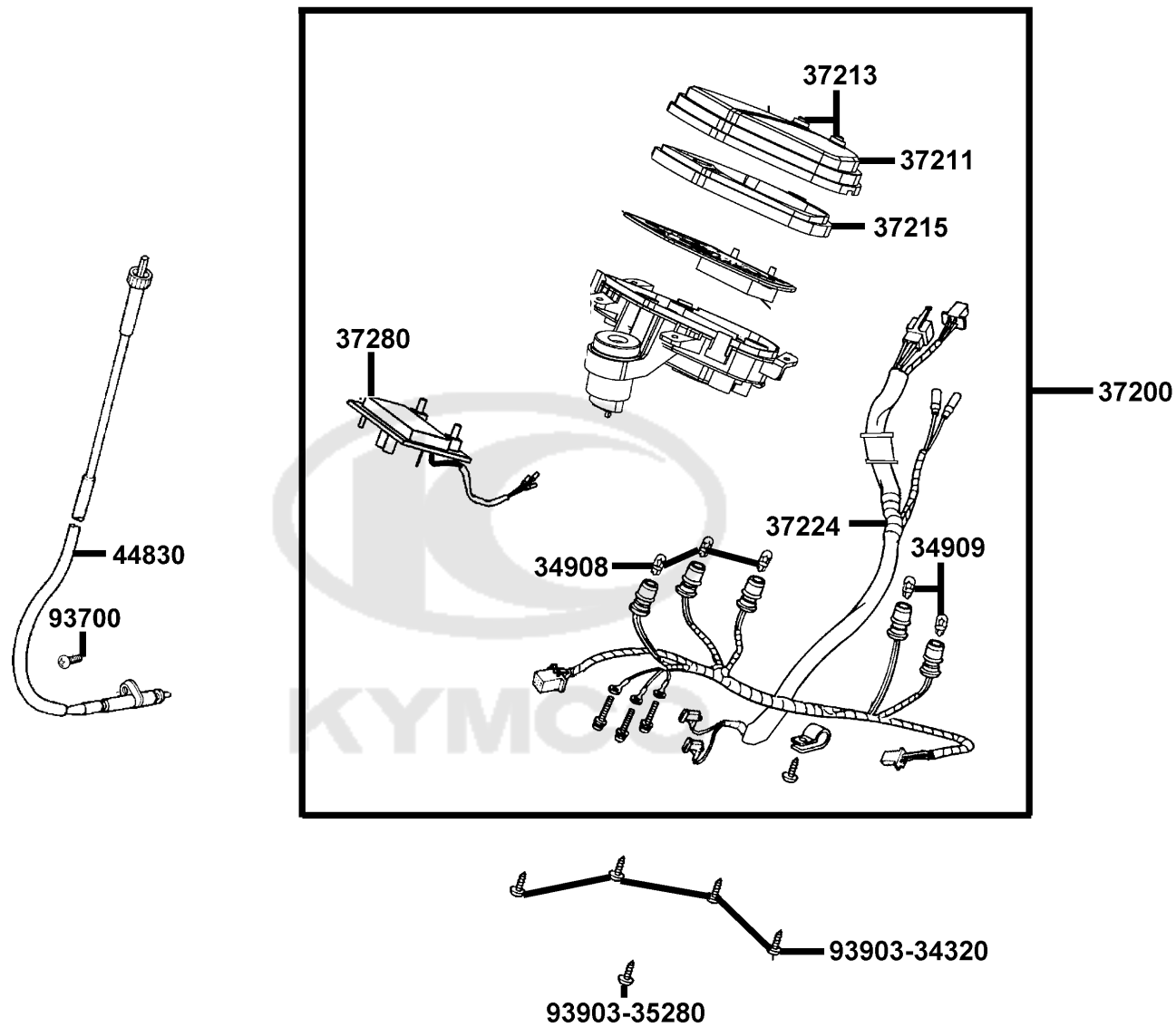
Sales mark	Ref no	Part no	Description	Reg description	Regd no	F01
------------	--------	---------	-------------	-----------------	---------	------------

33100		33100-LFC2-E10	LIGHT ASSY HEAD	LIGHT ASSY HEAD	1	
33108		33108-LFC2-E10	SOCKET COMP HEAD LIGHT	SOCKET COMP HEAD LIGHT	1	
34901		34901-LDC8-E10	BULB HEAD LIGHT	BULB HEAD LIGHT	1	
93903		93903-35320	BOLT FLANGE 5*16	BOLT FLANGE 5*16	4	



F02

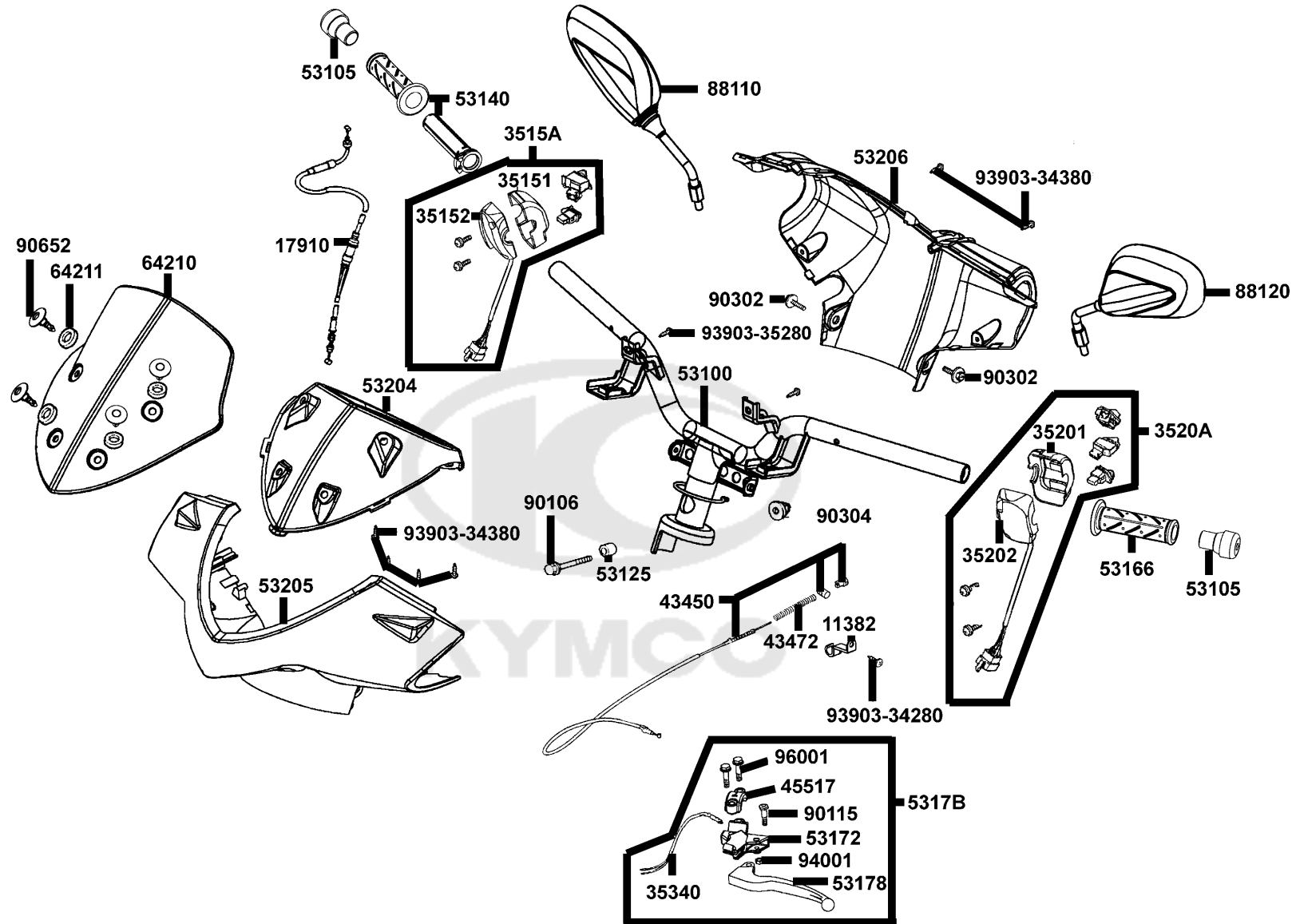
Speedometer



Sales mark	Ref no	Part no	Description	Reg description	Regd no	F02
	34908	34908-LEJ2-E00	BULB WEDGE BASE T10	BULB WEDGE BASE T10	3	
	34909	34909-LEJ2-E00	BULB WEDGE BASE T10	BULB WEDGE BASE T10	2	
	37200	37200-LFC2-E10	METER ASSY SPEED	METER ASSY SPEED	1	
	37211	37211-LFC2-E10	LENS COMP METER	LENS COMP METER	1	
	37213	37213-LFC2-E10	BUTTON ADJUST	BUTTON ADJUST	2	
	37215	37215-LFC2-E10	PLATE COSMETIC	PLATE COSMETIC	1	
	37224	37224-LFC2-E10	SOCKET COMP METER	SOCKET COMP METER	1	
	37280	37280-LEJ2-E0A	LCD ASSY (LOCK)/XD	LCD ASSY (LOCK)/XD	1	
	44830	44830-LCD3-C00	CABLE COMP SPDMT	CABLE COMP SPDMT	1	
	93700	93700-05018-0H	SCREW OVAL 5*18 ?	SCREW OVAL 5*18 ?	1	
	93903-34320	93903-34320	SCREW TAPPING 4*12 (C)	SCREW TAPPING 4*12 (C)	4	
	93903-35280	93903-35280	SCREW TAPPING 5*12 (K)	SCREW TAPPING 5*12 (K)	1	

F03

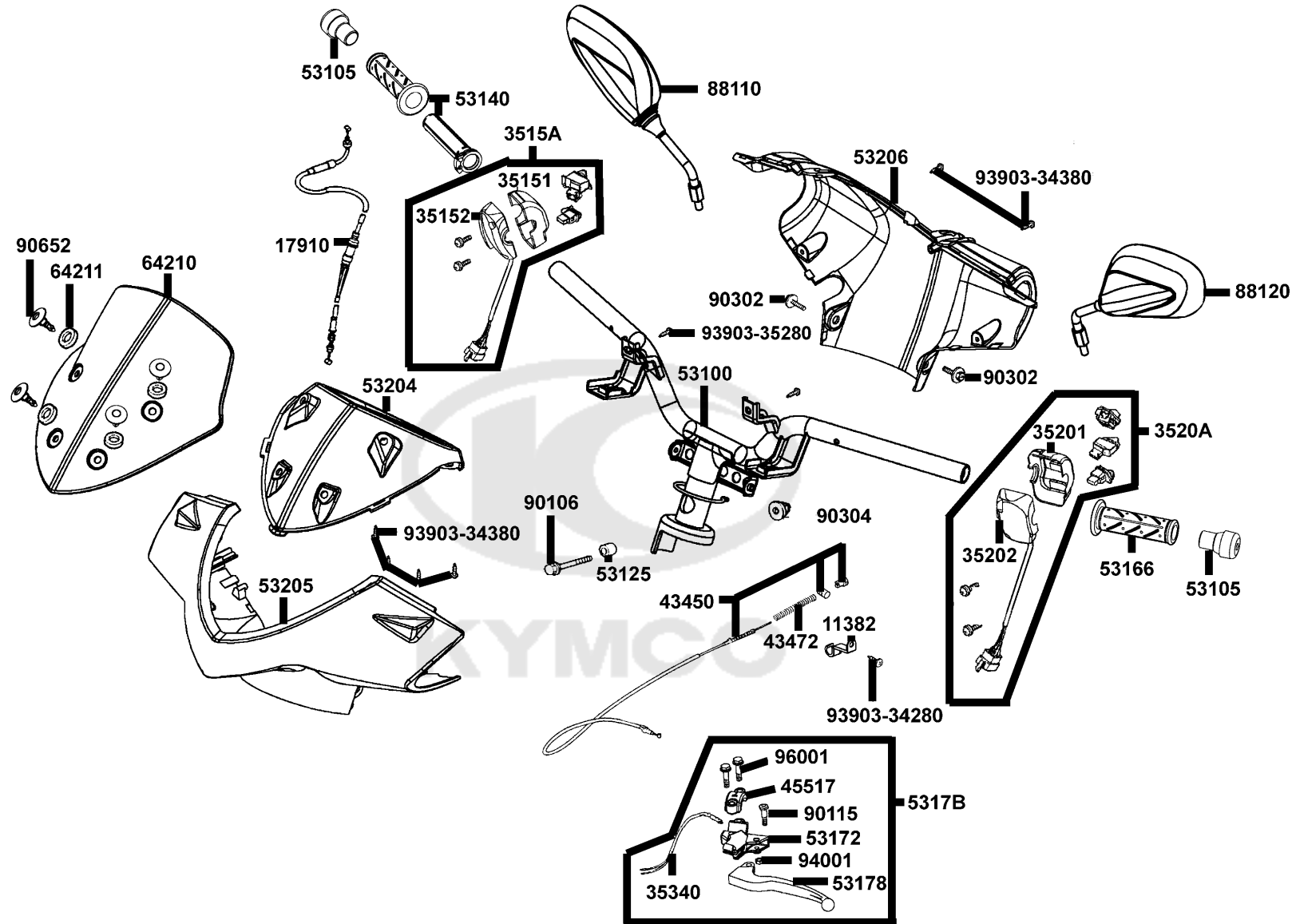
Handle Steering Handle Cover



Sales mark	Ref no	Part no	Description	Reg description	Regd no	F03
	11382	11382-LEJ3-E10	CLAMPER BRAKE CABLE3	CLAMPER BRAKE CABLE3	1	
	17910	17910-LCD2-C00	CABLE COMP THROT	CABLE COMP THROT	1	
	35151	35151-KGBG-C00	FR CASE RH HNDL COMP SW	FR CASE RH HNDL COMP SW	1	
	35152	35152-LGB5-E10	RR CASE RH HNDL COMP SW	RR CASE RH HNDL COMP SW	1	
	3515A	3515A-LGB5-E10	SW ASSY RH HANDLE COMP	SW ASSY RH HANDLE COMP	1	
	35201	35201-KGBG-C00	FR CASE LH HNDL COMP SW	FR CASE LH HNDL COMP SW	1	
	35202	35202-LGB5-E10	RR CASE LH HNDL SW COMP	RR CASE LH HNDL SW COMP	1	
	3520A	3520A-LCD3-C00	SW ASSY LH HNDL COMP	SW ASSY LH HNDL COMP	1	
	35340	35340-KKJ9-C00	SW ASSY FR STOP	SW ASSY FR STOP	1	
	43450	43450-LCD2-E10	CABLE COMP RR BRK.	CABLE COMP RR BRK.	1	
	43472	43472-LFC2-E10	SPG RR BRK CABLE	SPG RR BRK CABLE	1	
	45517	45517-GFY6-900	HOLDER HNDL BRKT	HOLDER HNDL BRKT	1	
	53100	53100-LFC2-E10	HANDLE COMP STRG	HANDLE COMP STRG	1	
	53105	53105-KNBN-C00	END STRG HANDLE	END STRG HANDLE	1	
	53125	53125-GEN5-C00	COLLAR HANDLE SET	COLLAR HANDLE SET	1	
	53140	53140-LEJ2-E10	GRIP COMP THROT	GRIP COMP THROT	1	
	53166	53166-LEJ2-E10	GRIP L HANDLE	GRIP L HANDLE	1	
	53172	53172-KTCT-C00	BRKT HNDL L	BRKT HNDL L	1	
	53178	53178-LFC2-E10	LEVER L STRG HANDL	LEVER L STRG HANDL	1	
	5317B	5317B-LFC2-E10	BRKT ASSY HNDL LH	BRKT ASSY HNDL LH	1	

F03

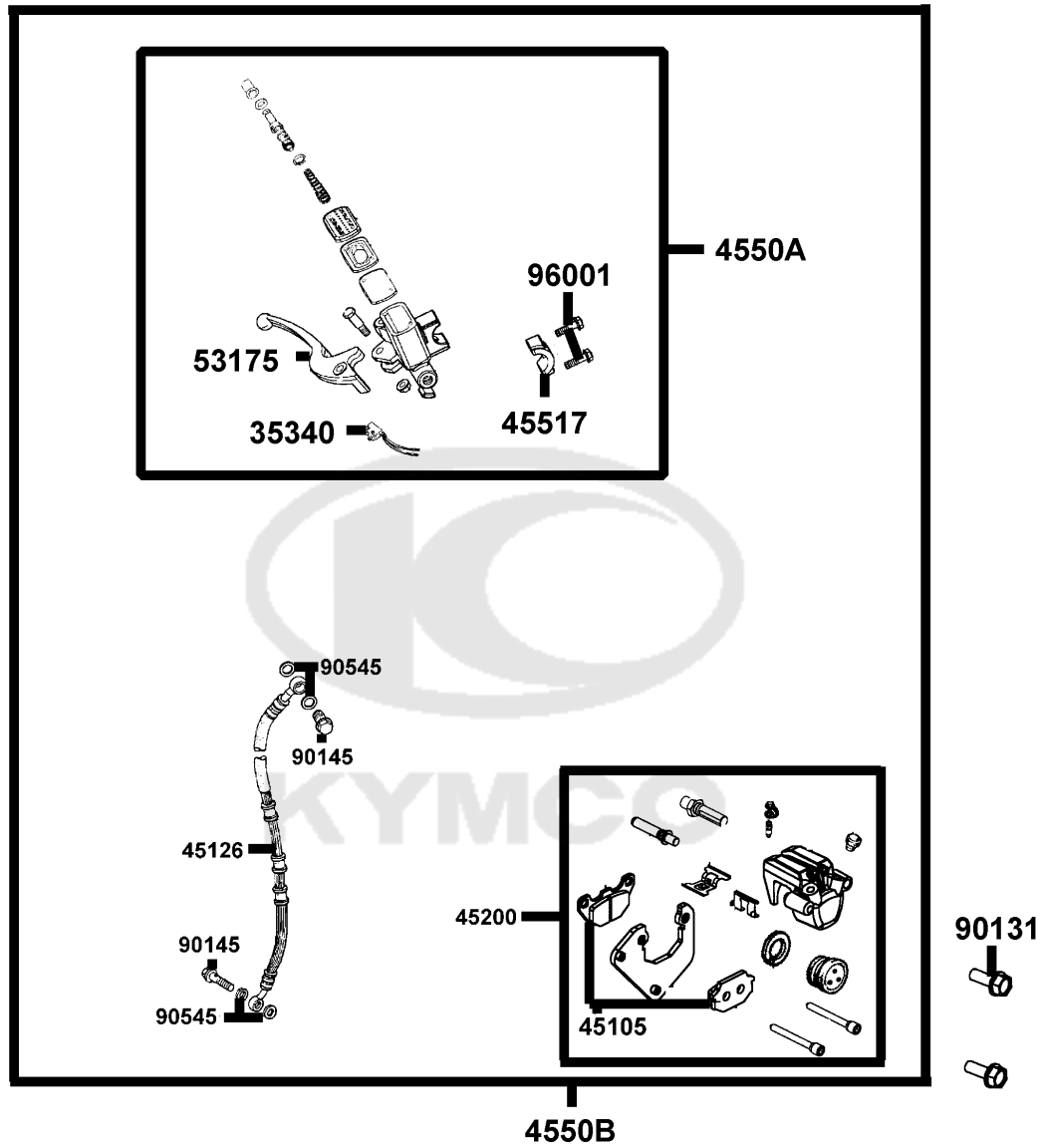
Handle Steering Handle Cover



Sales mark	Ref no	Part no	Description	Reg description	Regd no	F03
**	53204	53204-LFC2-E10	COVER METER	COVER METER	1	
**	53205	53205-LFC2-E10	COVER HANDLE FR	COVER HANDLE FR	1	
**	53206	53206-LFC2-E10	COVER HANDLE RR	COVER HANDLE RR	1	
	64210	64210-LFC2-E10	ASSY METER VISOR	ASSY METER VISOR	1	
	64211	64211-LFC2-E10	SPONGE VISOR	SPONGE VISOR	4	
**	88110	88110-LEB5-C11	MIRROR ASSY R BACK	MIRROR ASSY R BACK	1	
**	88120	88120-LEB5-C11	MIRROR ASSY L BACK	MIRROR ASSY L BACK	1	
	90106	90106-GEN5-901	BOLT FLANGE 10*50	BOLT FLANGE 10*50	1	
	90115	90115-GLE0-C00	BOLT HNDL LEVER PIVOT	BOLT HNDL LEVER PIVOT	1	
	90302	90302-LLB1-C00	WASHER PLAIN	WASHER PLAIN	1	
	90304	90304-GHE8-C00	NUT U 10MM (C)	NUT U 10MM (C)	1	
	90652	90652-LCA4-C10	CLIP MUDGUARD	CLIP MUDGUARD	1	
	93903-34280	93903-34280	SCREW TAPPING 4*10	SCREW TAPPING 4*10	1	
	93903-34380	93903-34380	BOLT FLANGE	BOLT FLANGE	6	
	93903-35280	93903-35280	SCREW TAPPING 5*12 (K)	SCREW TAPPING 5*12 (K)	2	
	94001	94001-05080-0S	NUT HEX 5MM (C)	NUT HEX 5MM (C)	1	
	96001	96001-06025-06	BOLT FLANGE SH 6*25	BOLT FLANGE SH 6*25	1	

F04

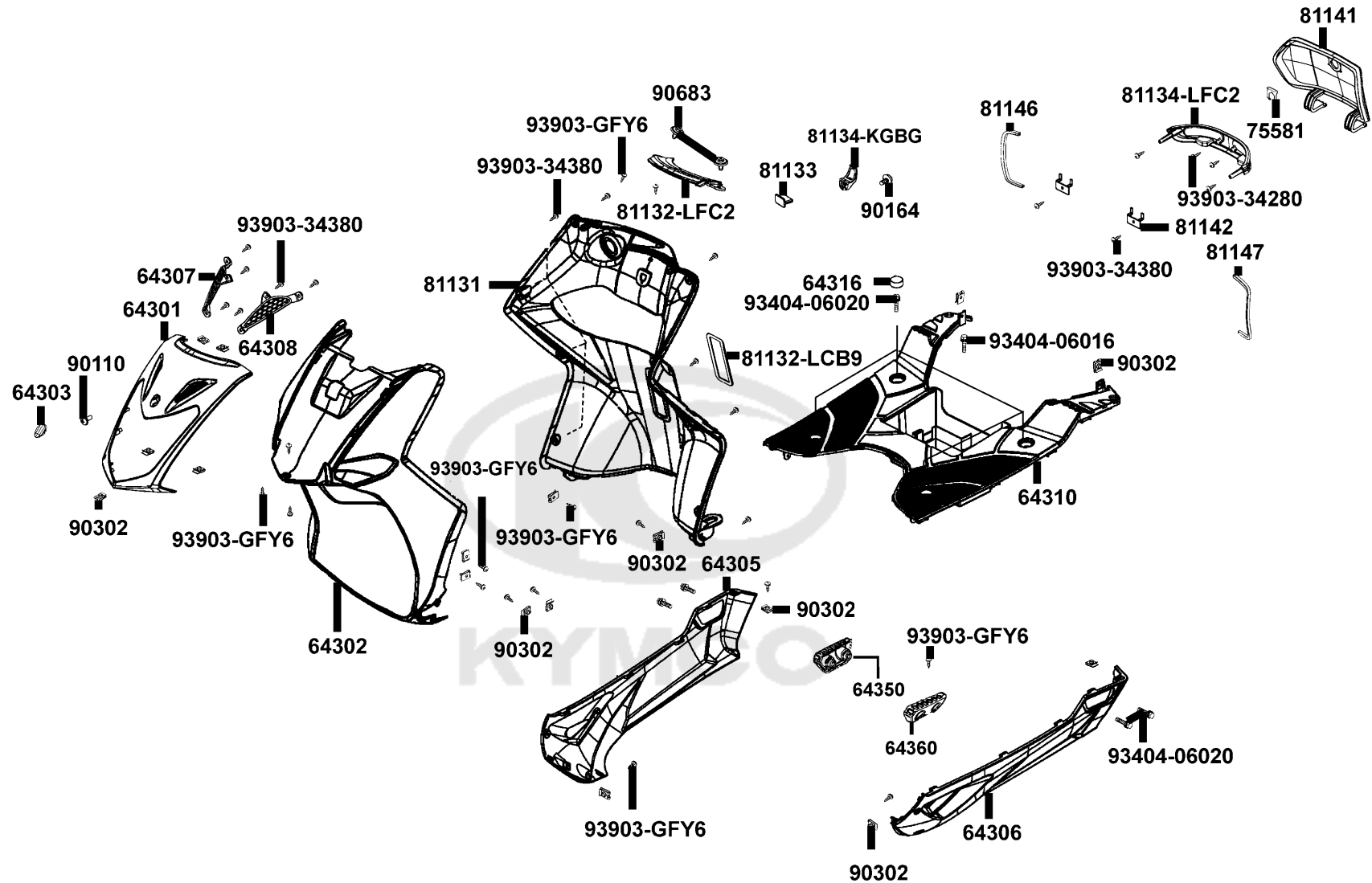
Brake Master Cylinder



Sales mark	Ref no	Part no	Description	Reg description	Regd no	F04
35340		35340-KNBN-901	SW ASSY FR STOP	SW ASSY FR STOP	1	
45105		45105-LEJ2-306	PAD COMP A+B	PAD COMP A+B	1	
45126		45126-LFC2-E10	HOSE ASSY FR BRK	HOSE ASSY FR BRK	1	
45200		45200-LFC2-E10	CALIPER ASSY FR	CALIPER ASSY FR	1	
4550A		4550A-LFC2-E1A	M/C ASSY FR	M/C ASSY FR	1	
4550B		4550B-LFC2-E10	SUB ASSY FR BRK	SUB ASSY FR BRK	1	
45517		45517-KFAF-910	HOLDER M/C	HOLDER M/C	1	
53175		53175-KTCT-C00	LEVER R STRG HNDL	LEVER R STRG HNDL	1	
90131		90131-GLW0-C00	BOLT FLANGE 8*35	BOLT FLANGE 8*35	1	
90145		90145-9A61-C00	OIL BOLT 10*22	OIL BOLT 10*22	1	
90545		90545-3L00-C00	WASHER OIL BOLT	WASHER OIL BOLT	1	
96001		96001-06025-00	BOLT FLANGE SH 6*25	BOLT FLANGE SH 6*25	1	

F05

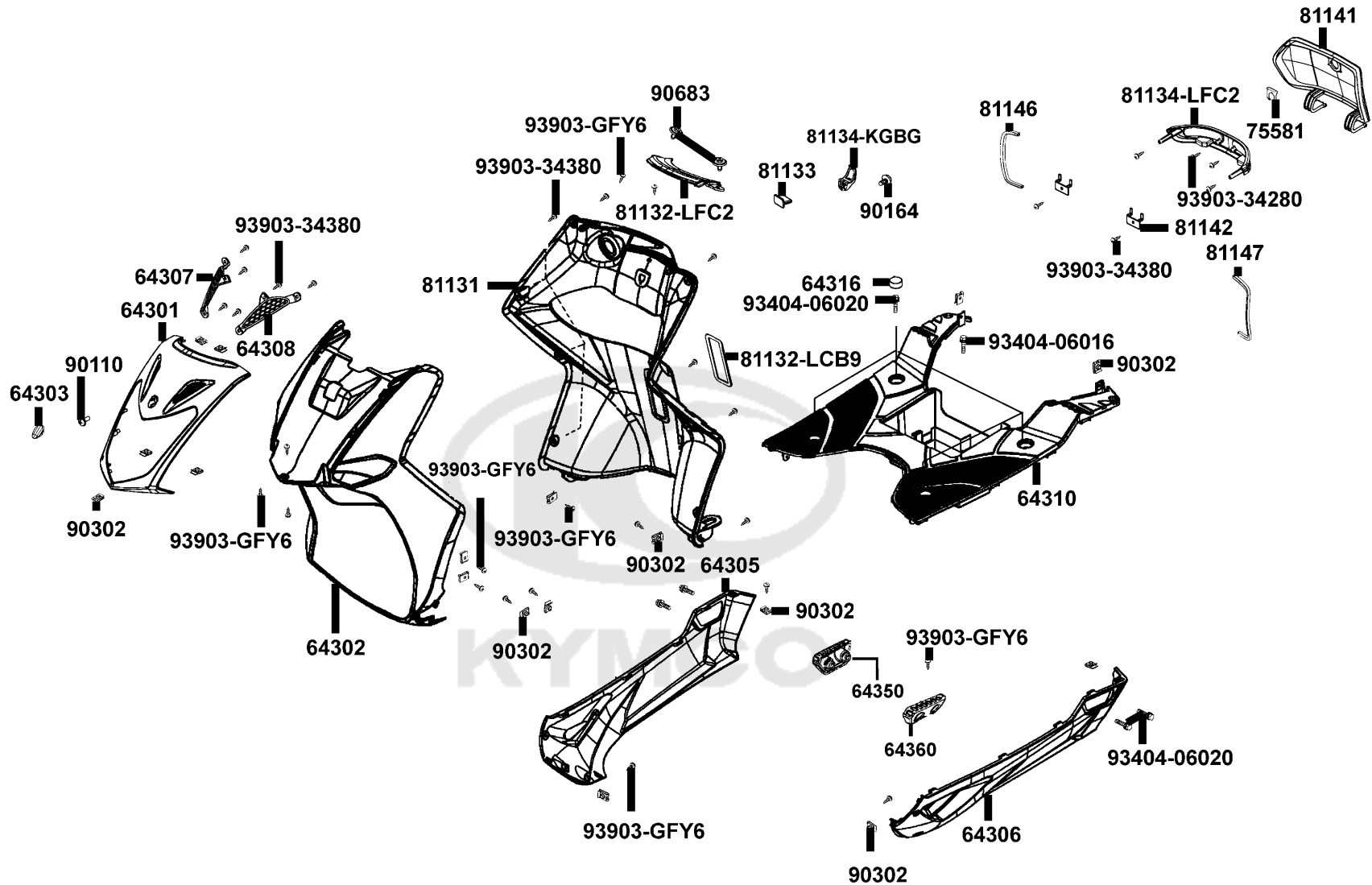
Front Cover Front Fender



Sales mark	Ref no	Part no	Description	Reg description	Regd no	F05
**	64301	64301-LFC2-E10	"COVER, FRONT"	"COVER, FRONT"	1	
**	64302	64302-LFC2-E10	MOLD FRONT	MOLD FRONT	1	
**	64303	64303-LFC2-E10	CAP FR COVER	CAP FR COVER	1	
**	64305	64305-LFC2-E10	SKIRT R SIDE	SKIRT R SIDE	1	
**	64306	64306-LFC2-E10	SKIRT L SIDE	SKIRT L SIDE	1	
**	64307	64307-LFC2-E10	GRILLE R FR MOLDING	GRILLE R FR MOLDING	1	
**	64308	64308-LFC2-E10	GRILLE L FR MOLDING	GRILLE L FR MOLDING	1	
**	64310	64310-LFC2-E11	FLOOR PANEL	FLOOR PANEL	1	
	64316	64316-LCB9-C10	PLUG FLOOR	PLUG FLOOR	4	
**	64350	64350-LFC2-E11	COVER R STEP	COVER R STEP	1	
**	64360	64360-LFC2-E11	COVER L STEP	COVER L STEP	1	
	75581	75581-6C73-C00	SET SPG LOCK KET(43°C)	SET SPG LOCK KET(43°C)	1	
**	81131	81131-LFC2-E10	LEG SHIELD	LEG SHIELD	1	
	81132-LCB9	81132-LCB9-C10	LID LEG SHIELD	LID LEG SHIELD	1	
**	81132-LFC2	81132-LFC2-E10	CAP LEG SHIELD UP	CAP LEG SHIELD UP	1	
	81133	81133-KNBN-C00	STOPPER LUGGAGENH268	STOPPER LUGGAGENH268	1	
	81134-KGBG	81134-KGBG-C00	HOOK LUGGAGE	HOOK LUGGAGE	1	
	81134-LFC2	81134-LFC2-E10	PLATE INNER BOX	PLATE INNER BOX	1	
**	81141	81141-LFC2-E10	LID INNER BOX	LID INNER BOX	1	
	81142	81142-KFA6-C00	STAY LID INNER BOX	STAY LID INNER BOX	1	

F05

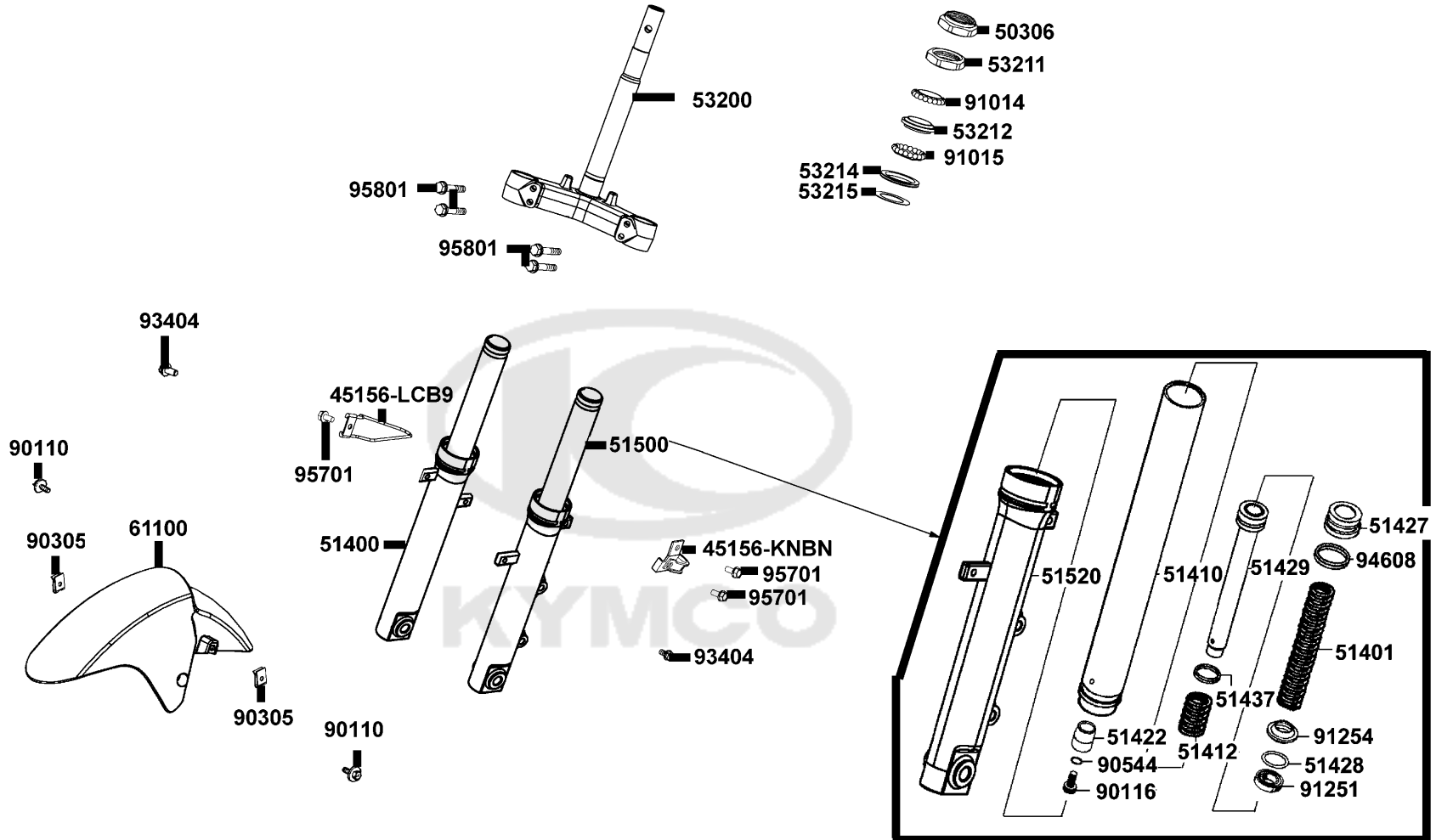
Front Cover Front Fender



Sales mark	Ref no	Part no	Description	Reg description	Regd no	F05
81146		81146-LFC2-E10	SEAL A LID INNER BOX	SEAL A LID INNER BOX	1	
81147		81147-LFC2-E10	SEAL B LID INNER BOX	SEAL B LID INNER BOX	1	
90110		90110-GLW0-C00	SCREW SPECIAL 6*14	SCREW SPECIAL 6*14	1	
90164		90164-KGBG-C00	SCREW SPECIAL 6MM	SCREW SPECIAL 6MM	1	
90302		90302-SDA4-C00	NUT SPRING 4MM	NUT SPRING 4MM	1	
90683		90683-GAR1-C00	CLIP BODY COVER	CLIP BODY COVER	1	
93404-06016		93404-06016-07	BOTL WASHER 6*16(K)	BOTL WASHER 6*16(K)	1	
93404-06020		93404-06020-07	BOLT WASHER 6*20(K)	BOLT WASHER 6*20(K)	8	
93903-34280		93903-34280	SCREW TAPPING 4*10	SCREW TAPPING 4*10	4	
93903-34380		93903-34380	BOLT FLANGE	BOLT FLANGE	16	
93903-GFY6		93903-GFY6-C00	SCREW TAPPING 4*14	SCREW TAPPING 4*14	1	

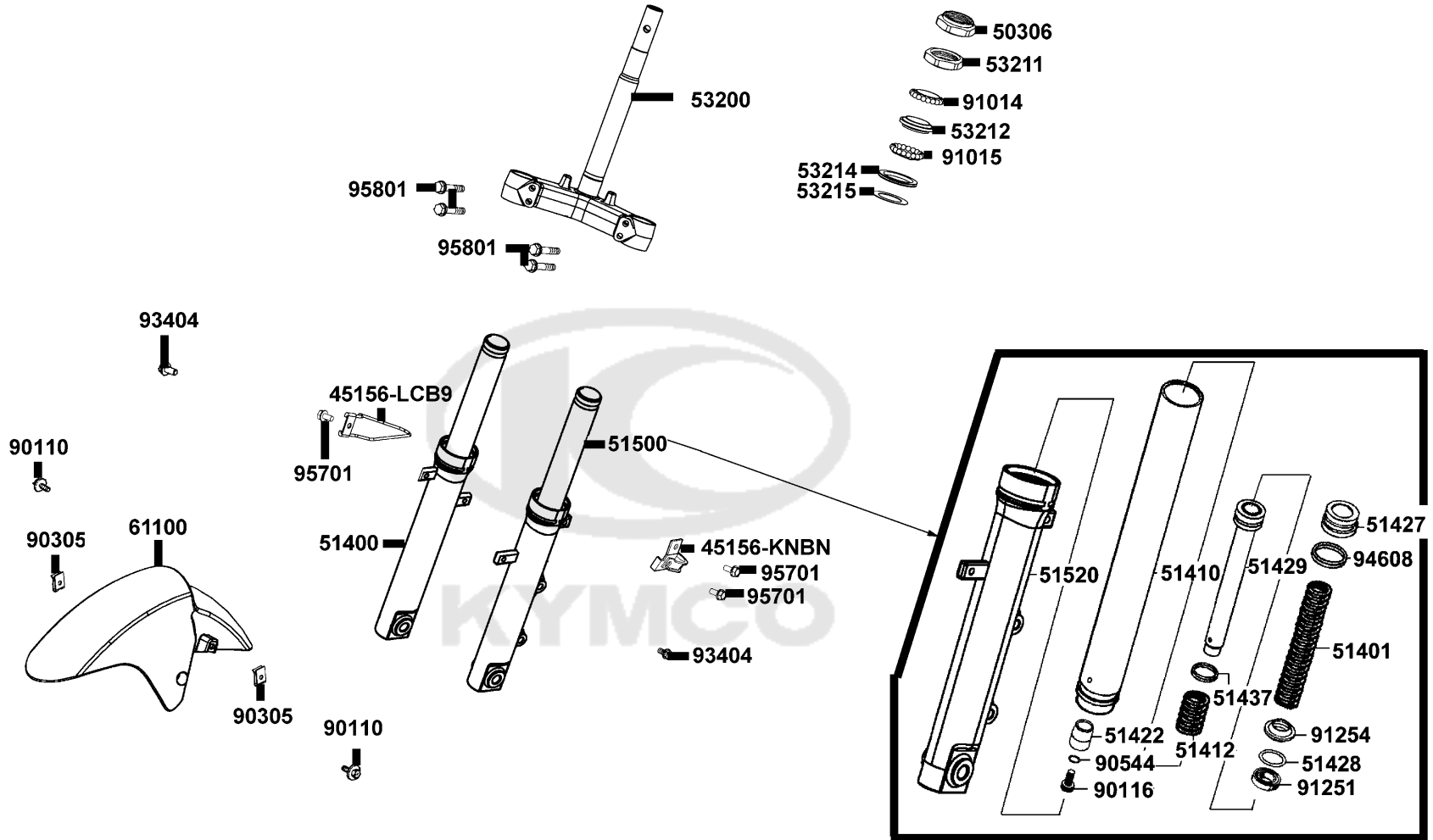


Stem Steering Front Cushion



Sales mark	Ref no	Part no	Description	Reg description	Regd no	F06
	45156-KBN	45156-KBN-9010	CLAMPER FR BRAKE HOSE	CLAMPER FR BRAKE HOSE	1	
	45156-LCB9	45156-LCB9-B20	CLAMPER METER CABLE	CLAMPER METER CABLE	1	
	50306	50306-1F96-C00	NUT STRG STEM LOCK	NUT STRG STEM LOCK	1	
**	51400	51400-LFC2-E80	FORK ASSY R FR	FORK ASSY R FR	1	
	51401	51401-LEJ2-E10	SPRING	SPRING	1	
	51410	51410-LEJ2-E10	FORK PIPE COMP	FORK PIPE COMP	1	
	51412	51412-LEJ2-E10	REBOUND SPRING	REBOUND SPRING	1	
	51422	51422-LEJ2-E10	OIL LOCK PIECE	OIL LOCK PIECE	1	
	51427	51427-LEJ2-E10	FORK BOLT	FORK BOLT	1	
	51428	51428-LEJ2-E10	OIL SEAL STOPPER RING	OIL SEAL STOPPER RING	1	
	51429	51429-LEJ2-E10	PIPE SEAT	PIPE SEAT	1	
	51437	51437-LEJ2-E10	PISTON RING	PISTON RING	1	
**	51500	51500-LFC2-E80	FORK ASSY L FR	FORK ASSY L FR	1	
	51520	51520-LFC2-E10	BOTTOM CASE L	BOTTOM CASE L	1	
	53200	53200-LFC2-E10	STEM ASSY STRG	STEM ASSY STRG	1	
	53211	53211-GFY6-C00	RACE STRG TOP CONE	RACE STRG TOP CONE	1	
	53212	53212-2L50-C00	RACE (STRG BOTTOM) CONE	RACE (STRG BOTTOM) CONE	1	
	53214	53214-2L50-C00	DUST SEAL STRG HEAD	DUST SEAL STRG HEAD	1	
	53215	53215-2L50-C00	WASHER STRG HDL DUST-SEAL	WASHER STRG HDL DUST-SEAL	1	
**	61100	61100-LFC2-E10	FENDER FR	FENDER FR	1	

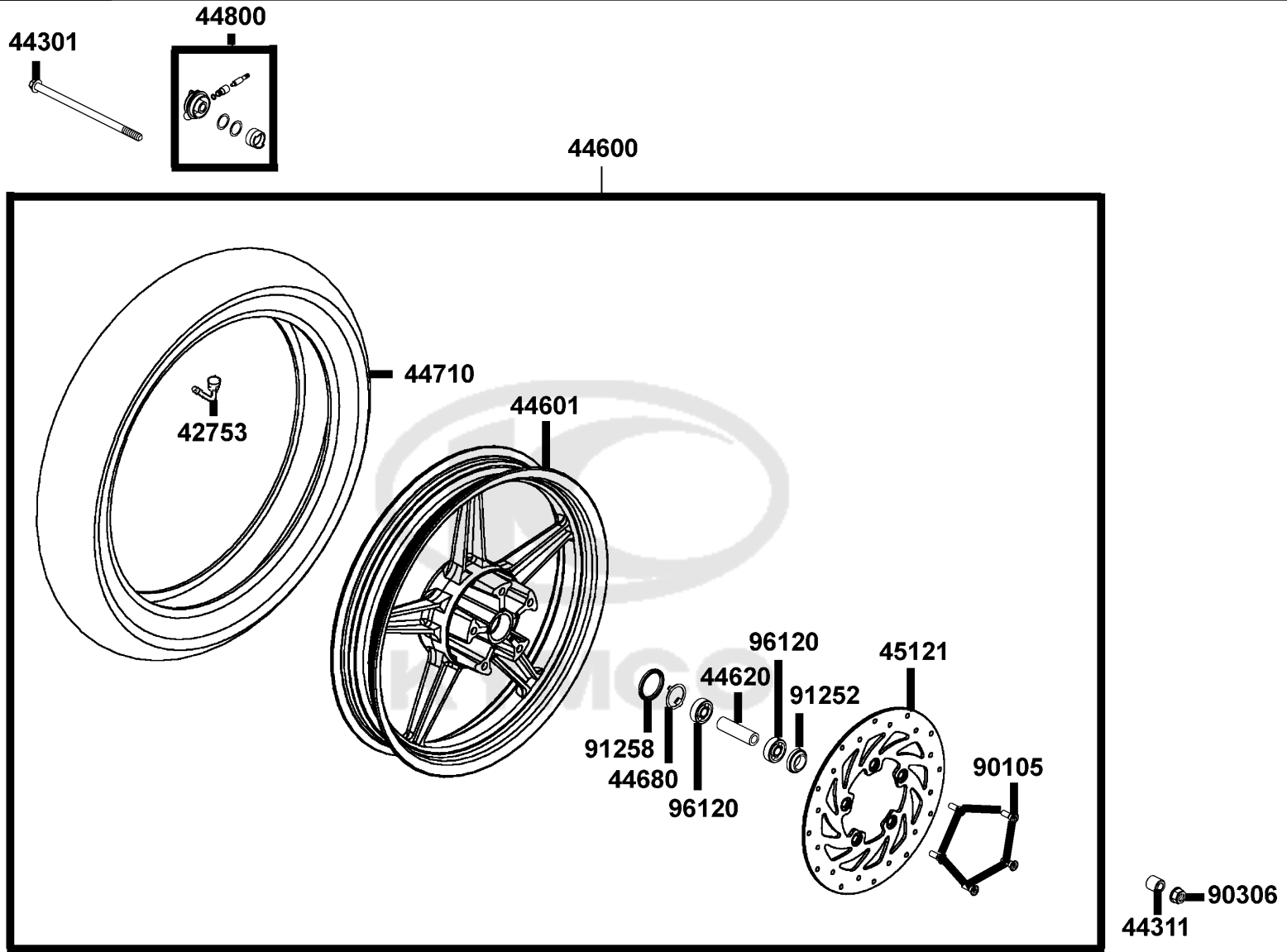
Stem Steering Front Cushion



Sales mark	Ref no	Part no	Description	Reg description	Regd no	F06
90110		90110-KEB7-C00	SCREW SPECIAL 6*14	SCREW SPECIAL 6*14	1	
90116		90116-LEJ2-E10	BOLT	BOLT	1	
90305		90305-GHK8-C00	NUT CLIP 6MM	NUT CLIP 6MM	1	
90544		90544-LEJ2-E10	PACKINGCUB	PACKINGCUB	1	
91014		91014-LLJ3-C00	CAGE STRG TOPP	CAGE STRG TOPP	1	
91015		91015-LLJ3-C00	CAGE STRG BOT	CAGE STRG BOT	1	
91251		91251-LEJ2-E10	OIL SEAL	OIL SEAL	1	
91254		91254-LEJ2-E10	DUST SEAL	DUST SEAL	1	
93404		93404-06025-07	BOLT WASHER 6*25 (K)	BOLT WASHER 6*25 (K)	2	
94608		94608-LEJ2-E10	O-RING B	O-RING B	1	
95701		95701-06012-08	BOLT FLANGE 6*12	BOLT FLANGE 6*12	3	
95801		95801-08040-08	BOLT FLANGE 8*40 (C)	BOLT FLANGE 8*40 (C)	4	

F07

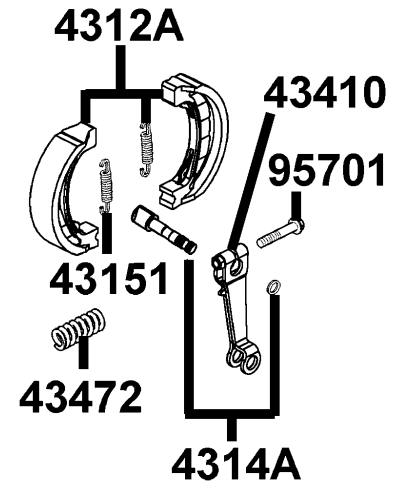
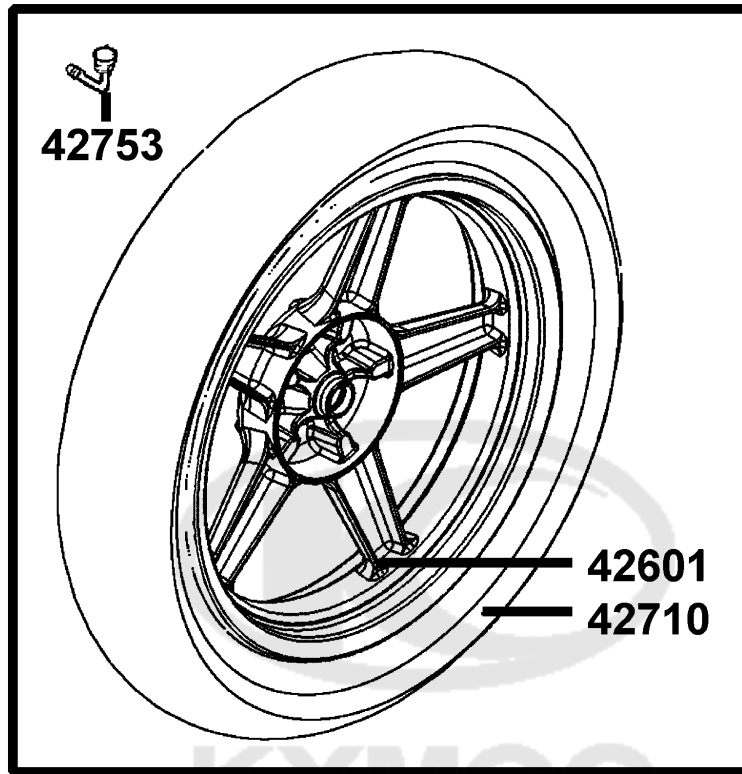
Front Wheel



Sales mark	Ref no	Part no	Description	Reg description	Regd no	F07
42753		42753-HHJ1-C00	CAP VALVE	CAP VALVE	1	
44301		44301-LEJ2-E10	AXLE FR WHEEL	AXLE FR WHEEL	1	
44311		44311-LFC2-E10	COLLAR FR WHEEL SIDE	COLLAR FR WHEEL SIDE	1	
44600		44600-LFC2-E10	WHEEL ASSY FR	WHEEL ASSY FR	1	
44601		44601-LFC2-E10	WHEEL CAST FR	WHEEL CAST FR	1	
44620		44620-KFLF-C00	COLLAR FR DIST	COLLAR FR DIST	1	
44680		44680-4L10-C00	RETAINER GEAR BOX	RETAINER GEAR BOX	1	
44710		44710-LFC2-E10	TIRE ASSY FR	TIRE ASSY FR	1	
44800		44800-LKD1-E10	GEAR BOX ASSY SPDMT	GEAR BOX ASSY SPDMT	1	
45121		45121-LFC2-E80	"DISK,FR BRAKE LH"	"DISK,FR BRAKE LH"	1	
90105		90105-KCR3-001	BOLT FR DISK 8*24	BOLT FR DISK 8*24	5	
90306		90306-KLF0-C00	NUT FLANGE 12MM	NUT FLANGE 12MM	1	
91252		91252-0L30-004	OIL SEAL WHEEL 23*37*7	OIL SEAL WHEEL 23*37*7	1	
91258		91258-4L10-007	DUST SEAL 40*50*5	DUST SEAL 40*50*5	1	
96120		96120-63010-10	BEARING BALL RADIAL 6301	BEARING BALL RADIAL 6301	2	

90305 

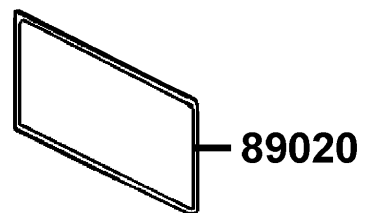
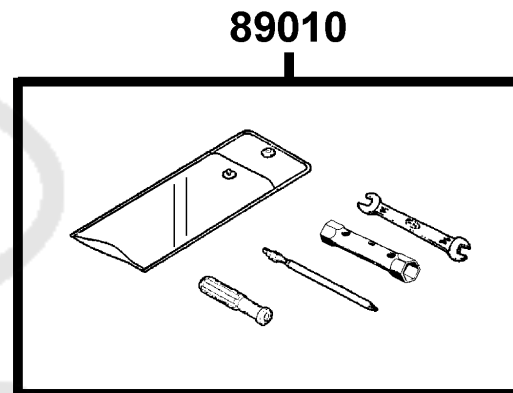
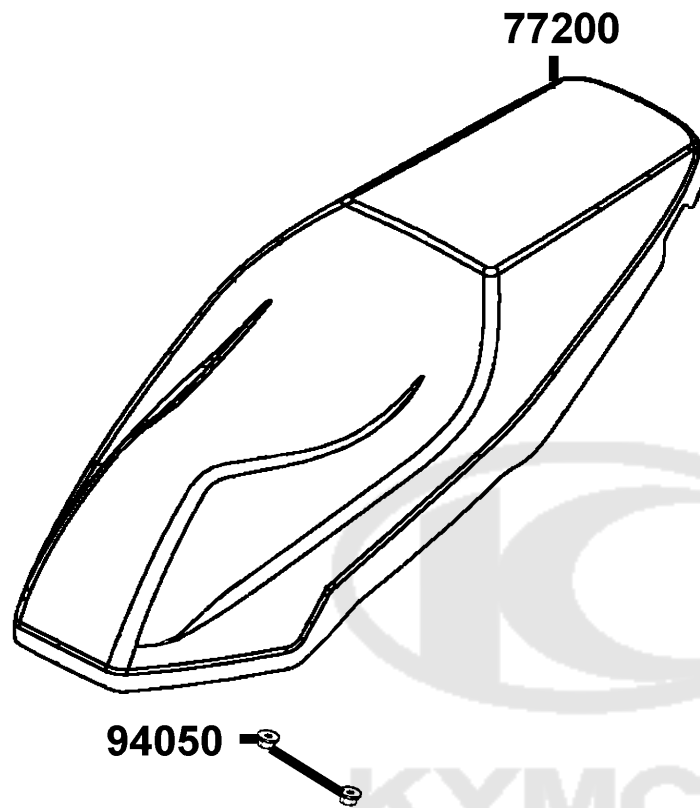
90501 



Sales mark	Ref no	Part no	Description	Reg description	Regd no	F08
**	42600	42600-LFC2-E10	WHEEL ASSY RR	WHEEL ASSY RR	1	
	42601	42601-LFC2-E10	WHEEL CASTRR	WHEEL CASTRR	1	
	42710	42710-LFC2-E10	TIRE ASSY RR	TIRE ASSY RR	1	
	42753	42753-HHJ1-C00	CAP VALVE	CAP VALVE	1	
	4312A	4312A-KUDU-C00	SHOE ASSY RR BRAKE	SHOE ASSY RR BRAKE	1	
	4314A	4314A-LCD3-E00	CAM ASSY RR BRAKE	CAM ASSY RR BRAKE	1	
	43151	43151-KGM7-C00	SPRING BRAKE SHOE REAR	SPRING BRAKE SHOE REAR	1	
	43410	43410-KFA6-900	ARM REAR BRAKE	ARM REAR BRAKE	1	
	43472	43472-KHG8-C00	SPG RR BRK ARM	SPG RR BRK ARM	1	
	90305	90305-KNBN-C00	NUT U 16MM(C)	NUT U 16MM(C)	1	
	90501	90501-KNBN-C00	WASHER 16MM	WASHER 16MM	1	
	95701	95701-06032-08	BOLT FLANGE 6*32(C)	BOLT FLANGE 6*32(C)	1	

F09

Seat



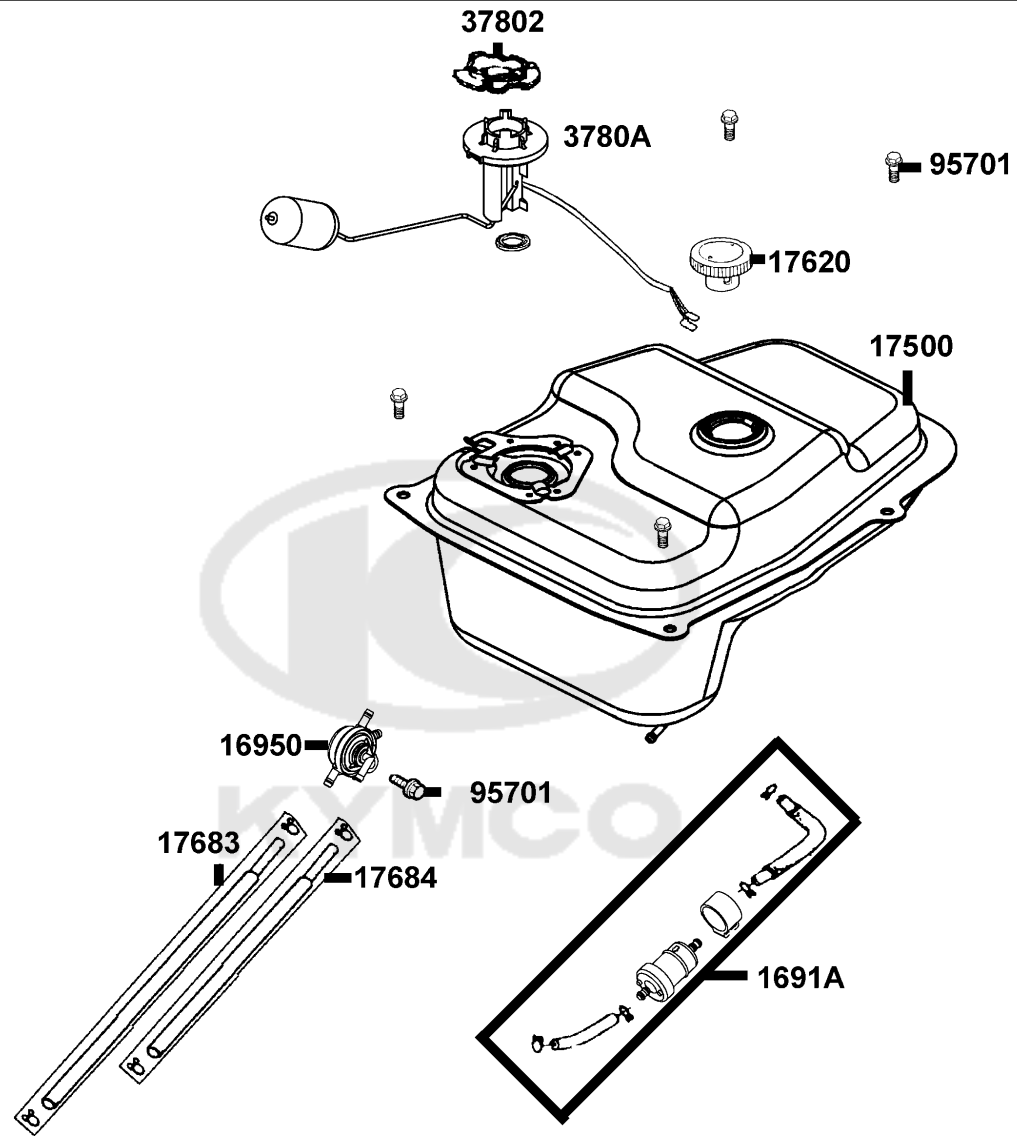
Sales mark	Ref no	Part no	Description	Reg description	Regd no	F09
------------	--------	---------	-------------	-----------------	---------	------------

77200		77200-LFC3-E10	SEAT ASSY	SEAT ASSY	1	
89010		89010-KGBG-C00	TOOL SET	TOOL SET	1	
89020		89020-KKC4-900	BAND TOOL SET	BAND TOOL SET	1	
94050		94050-06080	NUT FLANG 6MM	NUT FLANG 6MM	2	

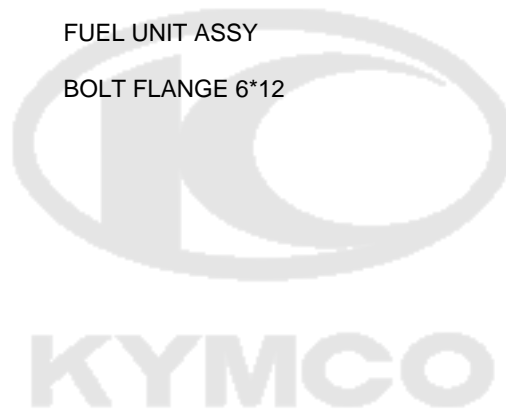


F10

Fuel Tank

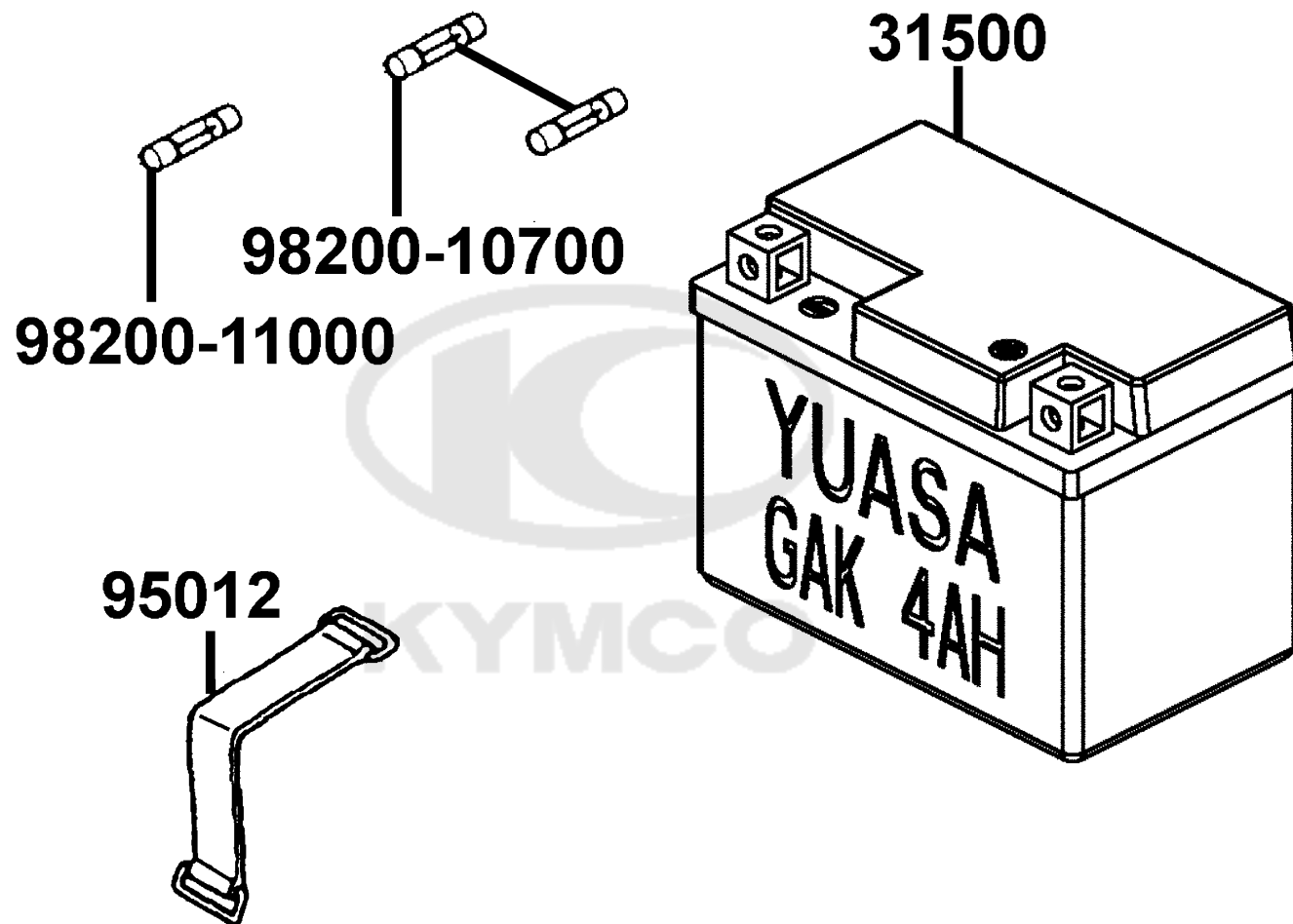



Sales mark	Ref no	Part no	Description	Reg description	Regd no	F10
1691A		1691A-LEJ2-E10	STRAINER ASSY FUEL	STRAINER ASSY FUEL	1	
16950		16950-LCA3-B50	AUTO COCK ASSY FUEL	AUTO COCK ASSY FUEL	1	
17500		17500-LEJ2-E10	TANK COMP FUEL	TANK COMP FUEL	1	
17620		17620-LBA8-C10	CAP FUEL FILLER	CAP FUEL FILLER	1	
17683		17683-LEJ2-E10	TUBE ASSY COCK-CARB	TUBE ASSY COCK-CARB	1	
17684		17684-LEJ2-E10	TUBE ASSY COCK-INLET PIPE	TUBE ASSY COCK-INLET PIPE	1	
37802		37802-GGA7-C00	RET FUEL UNIT	RET FUEL UNIT	1	
3780A		3780A-LEJ2-E10	FUEL UNIT ASSY	FUEL UNIT ASSY	1	
95701		95701-06012-08	BOLT FLANGE 6*12	BOLT FLANGE 6*12	5	



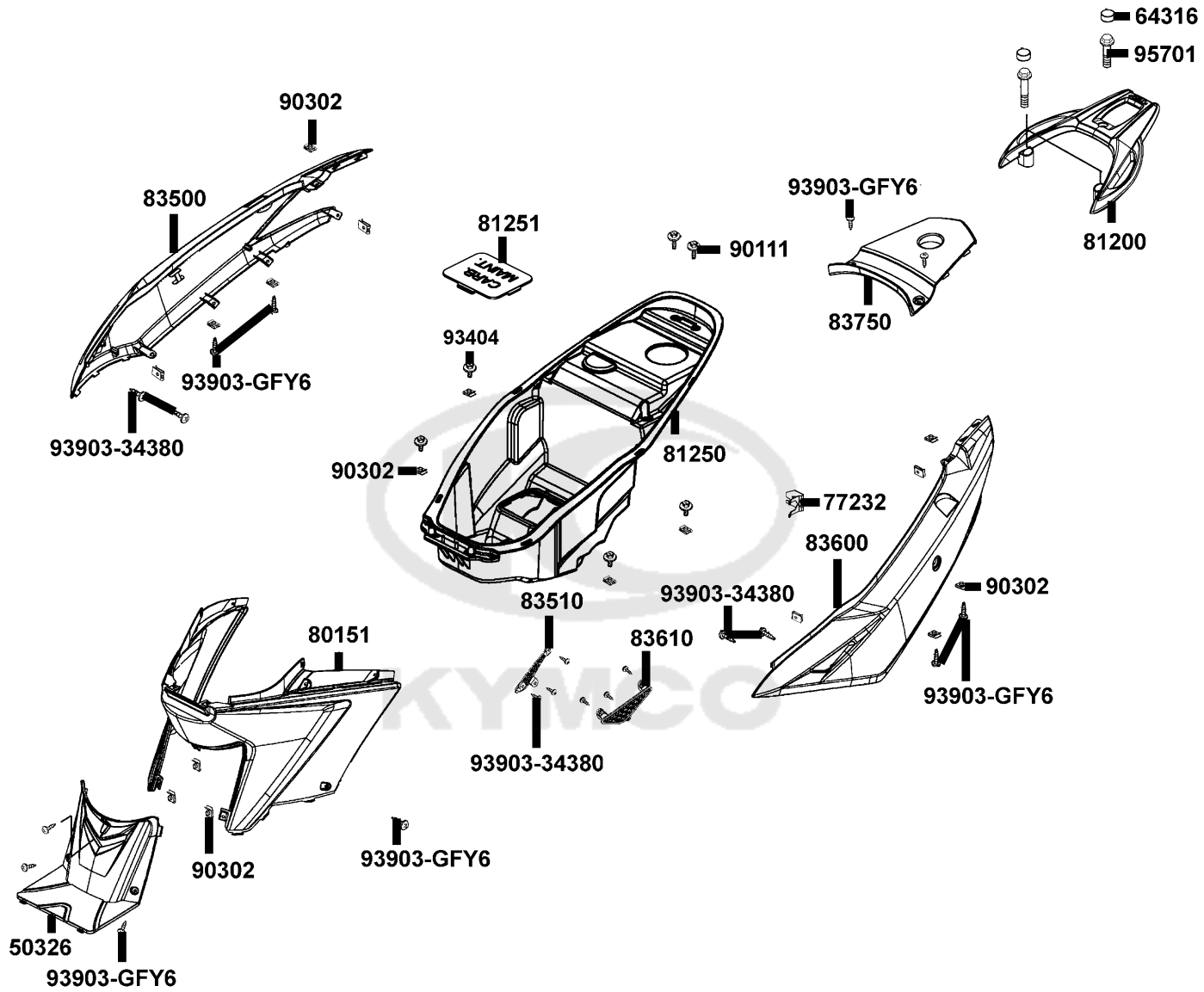
F11

Battery



Sales mark	Ref no	Part no	Description	Reg description	Regd no	F11
	31500	31500-GFY6-C00	BATTERY GTX6L-BS	BATTERY GTX6L-BS	1	
	95012	95012-LEJ2-E10	BAND BATTERY	BAND BATTERY	1	
	98200-10700	98200-10700	FUSE A7	FUSE A7	2	
	98200-11000	98200-11000	FUSE A10	FUSE A10	1	
						

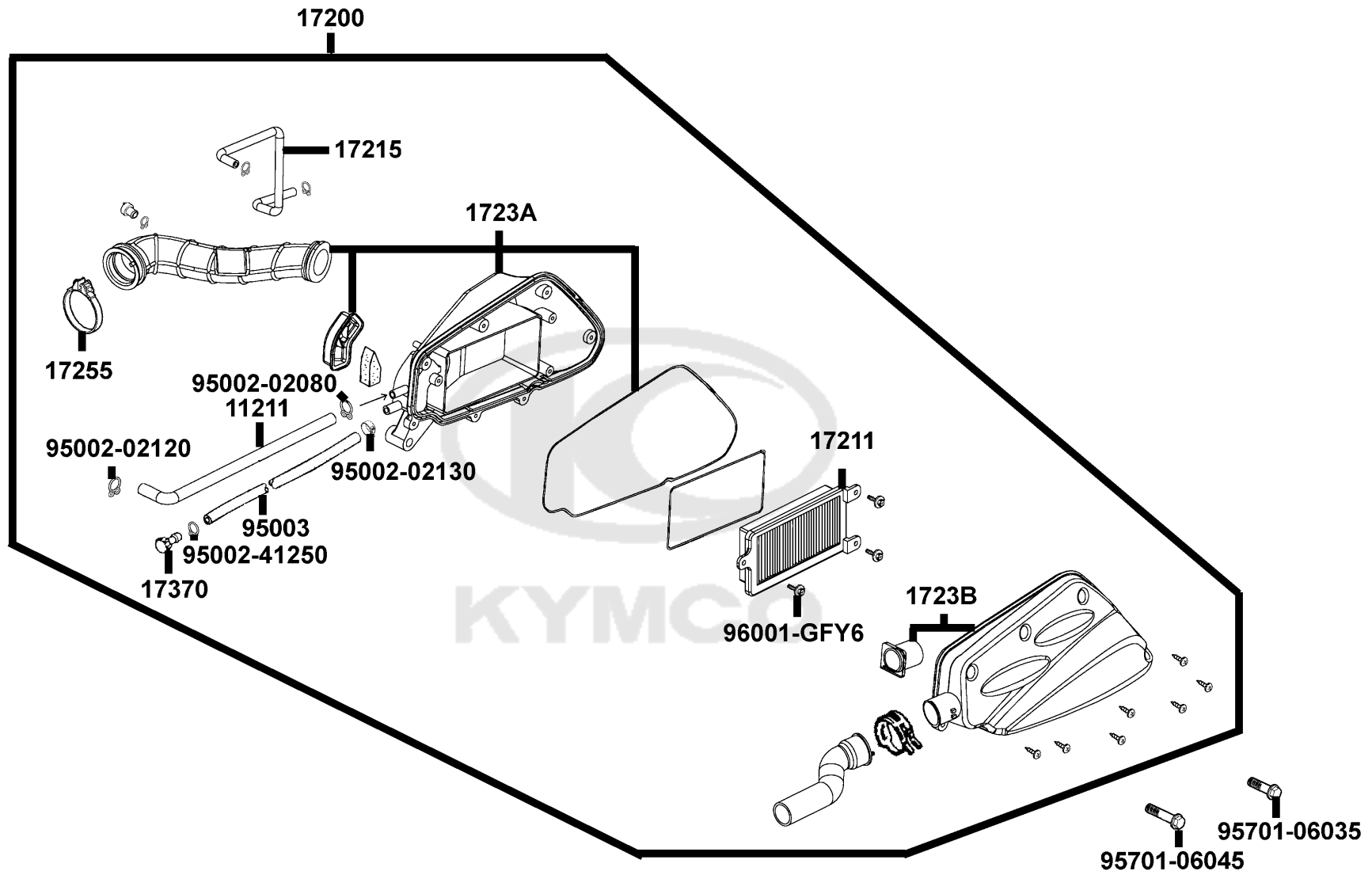
Body Cover Luggage Box



Sales mark	Ref no	Part no	Description	Reg description	Regd no	F12
**	50326	50326-LFC2-E10	COVER BATTERY	COVER BATTERY	1	
	64316	64316-LCB9-C10	PLUG FLOOR	PLUG FLOOR	3	
	77232	77232-KCAC-C00	SET SPG SEAT LOCK	SET SPG SEAT LOCK	1	
**	80151	80151-LFC2-E10	COVER CENTER	COVER CENTER	1	
**	81200	81200-LFC2-E10	CARRIER RR	CARRIER RR	1	
	81250	81250-LFC2-E10	BOX LUGGAGE	BOX LUGGAGE	1	
	81251	81251-LEJ3-E10	COVER CARB. MAINT	COVER CARB. MAINT	1	
**	83500	83500-LFC2-E10	COVER R BODY	COVER R BODY	1	
**	83510	83510-LFC2-E10	GRILL R SIDE	GRILL R SIDE	1	
**	83600	83600-LFC2-E10	COVER L BODY	COVER L BODY	1	
**	83610	83610-LFC2-E10	GRILL L SIDE	GRILL L SIDE	1	
**	83750	83750-LFC2-E10	COVER RR CENTER	COVER RR CENTER	1	
	90111	90111-1G87-C00	BOLT FLANGE 6MM	BOLT FLANGE 6MM	1	
	90302	90302-SDA4-C00	NUT SPRING 4MM	NUT SPRING 4MM	1	
	93404	93404-06012-07	BOLT WASHER 6*12(K)	BOLT WASHER 6*12(K)	4	
	93903-34380	93903-34380	BOLT FLANGE	BOLT FLANGE	10	
	93903-GFY6	93903-GFY6-C00	SCREW TAPPING 4*14	SCREW TAPPING 4*14	1	
	95701	95701-08040-08	BOLT FLANGE 8*40 (C)	BOLT FLANGE 8*40 (C)	3	

F13

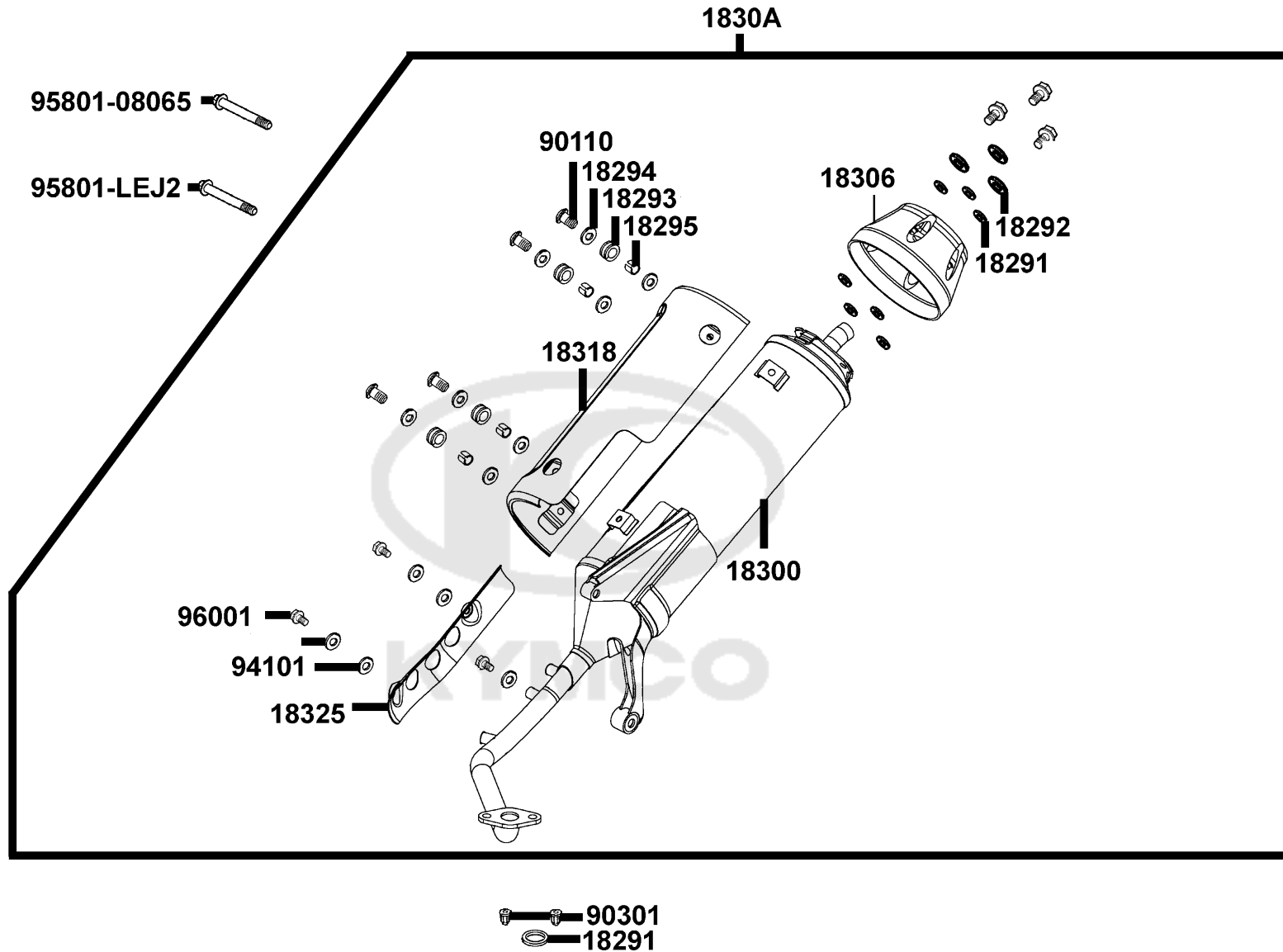
Air Cleaner



Sales mark	Ref no	Part no	Description	Reg description	Regd no	F13
11211		11211-LCD2-E00	TUBE BREATHER	TUBE BREATHER	1	
17200		17200-LEJ2-E10	AIR/C ASSY	AIR/C ASSY	1	
17211		17211-LAB4-C00	ELEMENT COMP AIR/C	ELEMENT COMP AIR/C	1	
17215		17215-LCD2-C00	TUBE COMP BREATH MISSION	TUBE COMP BREATH MISSION	1	
1723A		1723A-LCD2-E00	CASE COMP AIR/C	CASE COMP AIR/C	1	
1723B		1723B-LCD2-E00	COVER COMP AIR/C	COVER COMP AIR/C	1	
17255		17255-KGBG-900	BAND A CONNECTING TUBE	BAND A CONNECTING TUBE	1	
17370		17370-4K19-C00	PLUG BREATHER TUBE	PLUG BREATHER TUBE	1	
95002-02080		95002-02080	CLIP B8 TUBE	CLIP B8 TUBE	1	
95002-02120		95002-02120	CLIP B12 TUBE	CLIP B12 TUBE	1	
95002-02130		95002-02130	CLIP	CLIP	2	
95002-41250		95002-41250-00	CLAMP D 12.5 TUBE	CLAMP D 12.5 TUBE	1	
95003		95003-23036-60	V TUBE 8*12*360	V TUBE 8*12*360	1	
95701-06035		95701-06035-08	BOLT FLANGE 6*35 (C)	BOLT FLANGE 6*35 (C)	1	
95701-06045		95701-06045-08	BOLT FLANGE 6*45 (C)	BOLT FLANGE 6*45 (C)	1	
96001		96001-GFY6-C00	BOLT SPECIAL 5X10	BOLT SPECIAL 5X10	1	

F14

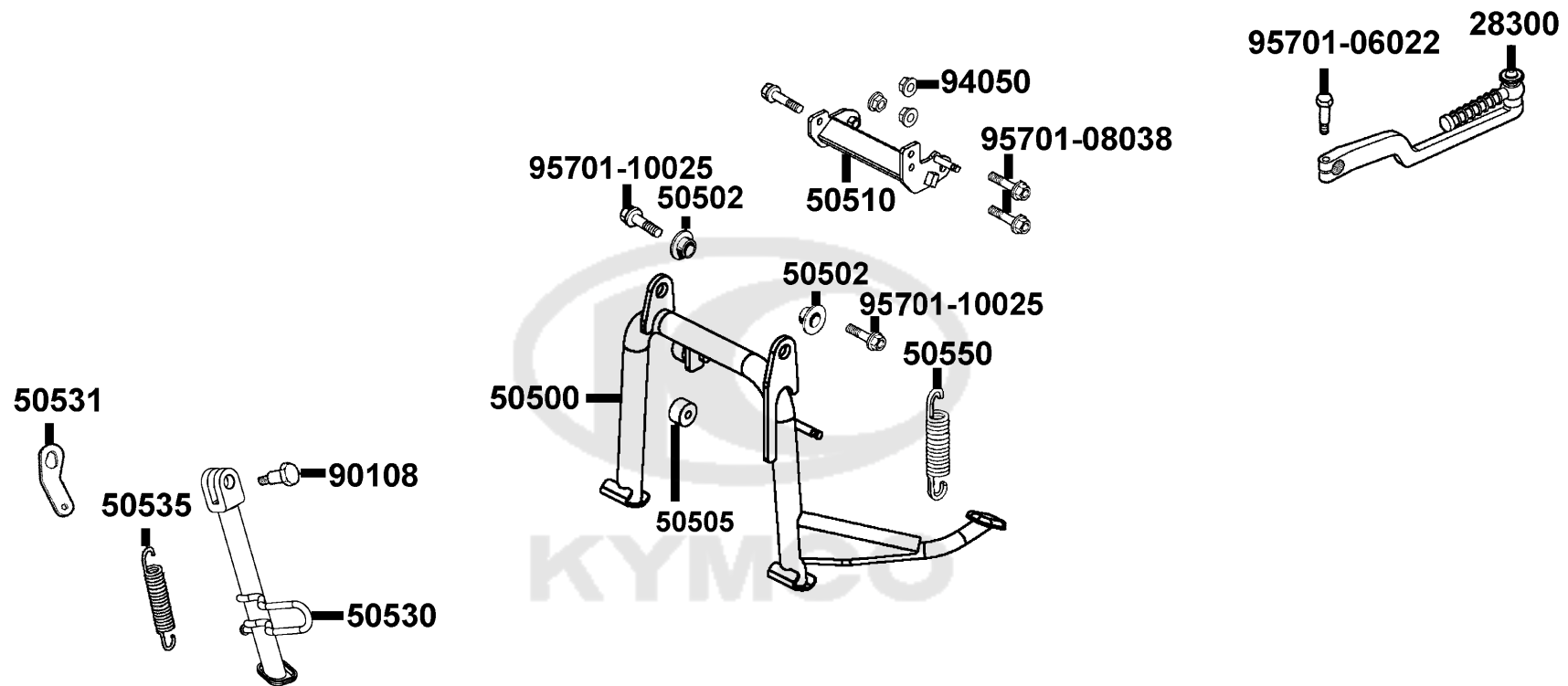
Exhaust Muffler



Sales mark	Ref no	Part no	Description	Reg description	Regd no	F14
18291	18291	18291-GGA7-C00	GASKET EXH PIPE	GASKET EXH PIPE	1	
18292	18292	18292-KEBE-C00	PACKING PROTECTOR	PACKING PROTECTOR	1	
18293	18293	18293-KECE-C00	RUBBER A PROTR	RUBBER A PROTR	1	
18294	18294	18294-KEBE-C00	PACKING PROTECTOR	PACKING PROTECTOR	1	
18295	18295	18295-KECE-900	COLLAR 6MM	COLLAR 6MM	1	
18300	18300	18300-LFC2-E10	MUFFLER COMP EXH	MUFFLER COMP EXH	1	
18306	18306	18306-LEJ2-E10	TAIL CAP MUFFLER	TAIL CAP MUFFLER	1	
1830A	1830A	1830A-LFC2-E10	MUFFLER ASSY EXHAUST	MUFFLER ASSY EXHAUST	1	
18318	18318	18318-LCD3-E10	PROTECTOR MUFF	PROTECTOR MUFF	1	
18325	18325	18325-LFC2-E10	PROTECTOR EXH PIPE	PROTECTOR EXH PIPE	1	
90110	90110	90110-LCD4-E00	MUFFLER COMP EXH	MUFFLER COMP EXH	4	
90301	90301	90301-KGBG-C00	NUT CAP 6MM	NUT CAP 6MM	1	
94101	94101	94101-06200	WASHER PLANE 6MM	WASHER PLANE 6MM	5	
95801-08065	95801-08065	95801-08065-07	BOLT FLANGE 8*65 (C)	BOLT FLANGE 8*65 (C)	1	
95801-LEJ2	95801-LEJ2	95801-LEJ2-E10	BOLT TORX M8*75	BOLT TORX M8*75	1	
96001	96001	96001-06010-02	BOLT FLANGE SH 6*10 (Cr)	BOLT FLANGE SH 6*10 (Cr)	2	

F15

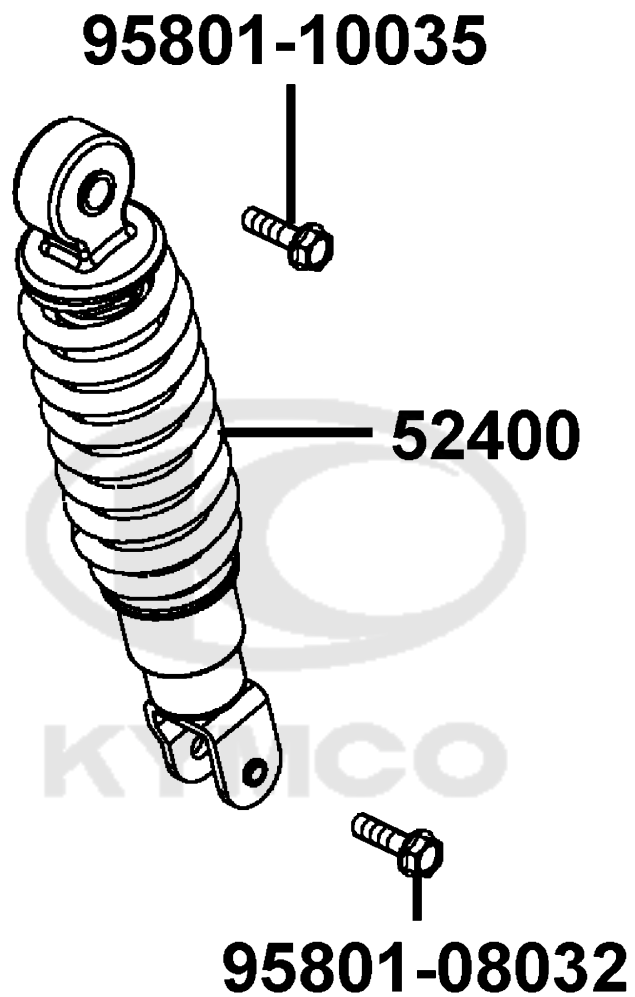
Stand Kick Starter Arm



Sales mark	Ref no	Part no	Description	Reg description	Regd no	F15
	28300	28300-KNBN-C00	ARM ASSY. KICK STARTER	ARM ASSY. KICK STARTER	1	
	50500	50500-LFC2-E10	STAND COMP MAIN	STAND COMP MAIN	1	
	50502	50502-LDF7-C00	"COLLAR,MAIN STAND"	"COLLAR,MAIN STAND"	1	
	50505	50505-LAD9-C00	STOPPER RUBBER	STOPPER RUBBER	1	
	50510	50510-LFC2-E10	STAY	STAY	1	
	50530	50530-LFC2-E10	BAR SIDE STAND	BAR SIDE STAND	1	
	50531	50531-KEB7-C00	PLATE SPRING STOPPER	PLATE SPRING STOPPER	1	
	50535	50535-KEB7-W10	SPRING COMP SIDE STAND	SPRING COMP SIDE STAND	1	
	50550	50550-KEB7-C00	SPG ASSY MAIN STAND	SPG ASSY MAIN STAND	1	
	90108	90108-KFA6-E00	SCREW SIDE STAND PIVOT	SCREW SIDE STAND PIVOT	1	
	94050	94050-08080	NUT FLANGE 8MM	NUT FLANGE 8MM	3	
	95701-06022	95701-06022-07	BOLT FLANGE 6*22	BOLT FLANGE 6*22	1	
	95701-08038	95701-08038-08	BOLT FLANGE 8*38 (C)	BOLT FLANGE 8*38 (C)	3	
	95701-10025	95701-10025-08	BOLT FLANGE 10*25 (C)	BOLT FLANGE 10*25 (C)	2	

F16

Rear Cushion



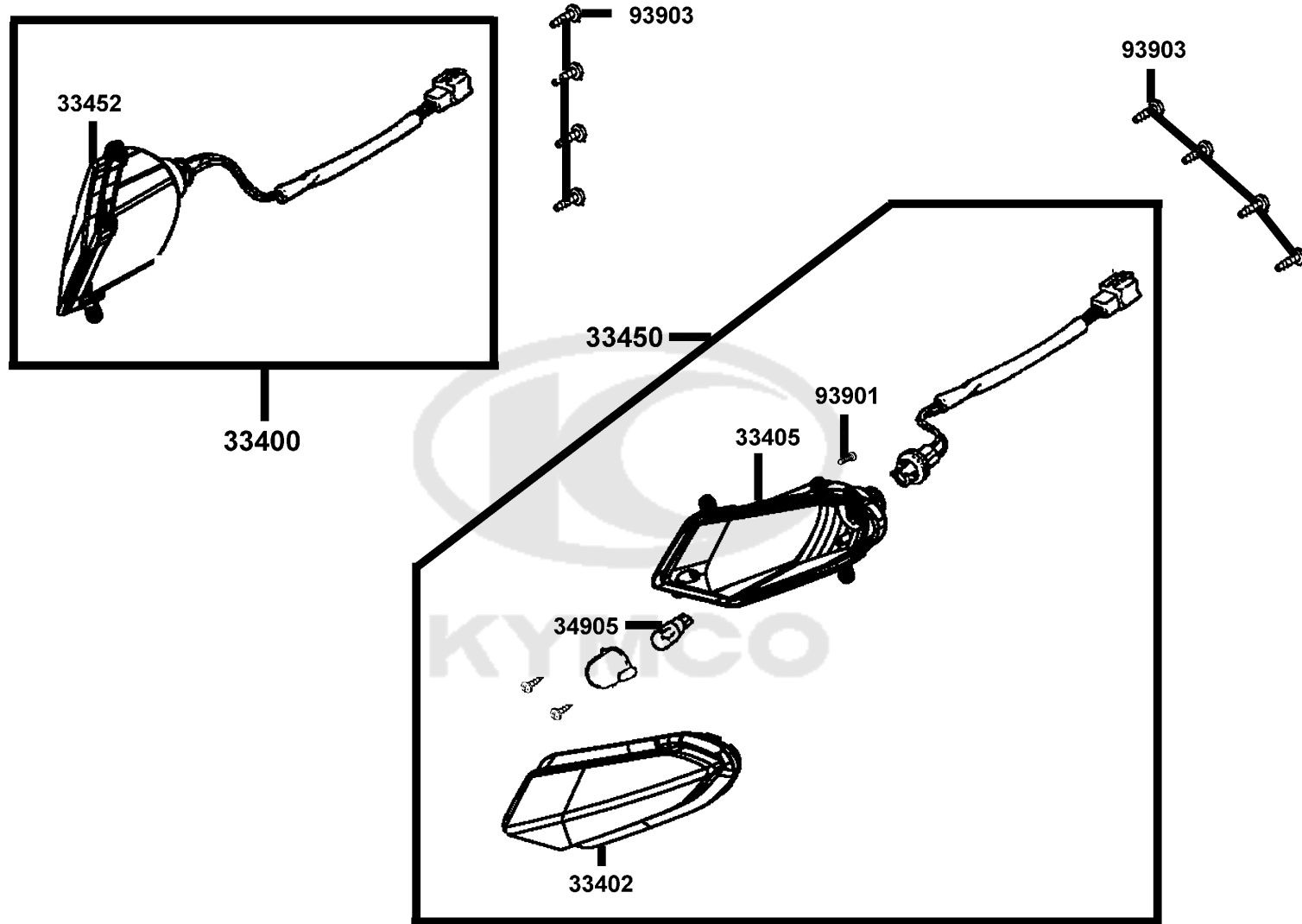
Sales mark	Ref no	Part no	Description	Reg description	Regd no	F16
------------	--------	---------	-------------	-----------------	---------	------------

**	52400	52400-LFC2-E80	CUSHION ASSY RR	CUSHION ASSY RR	1	
	95801-08032	95801-08032-08	BOLT FLANGE 8*32	BOLT FLANGE 8*32	1	
	95801-10035	95801-10035-08	BOLT FLANGE 10*35 (C)	BOLT FLANGE 10*35 (C)	1	



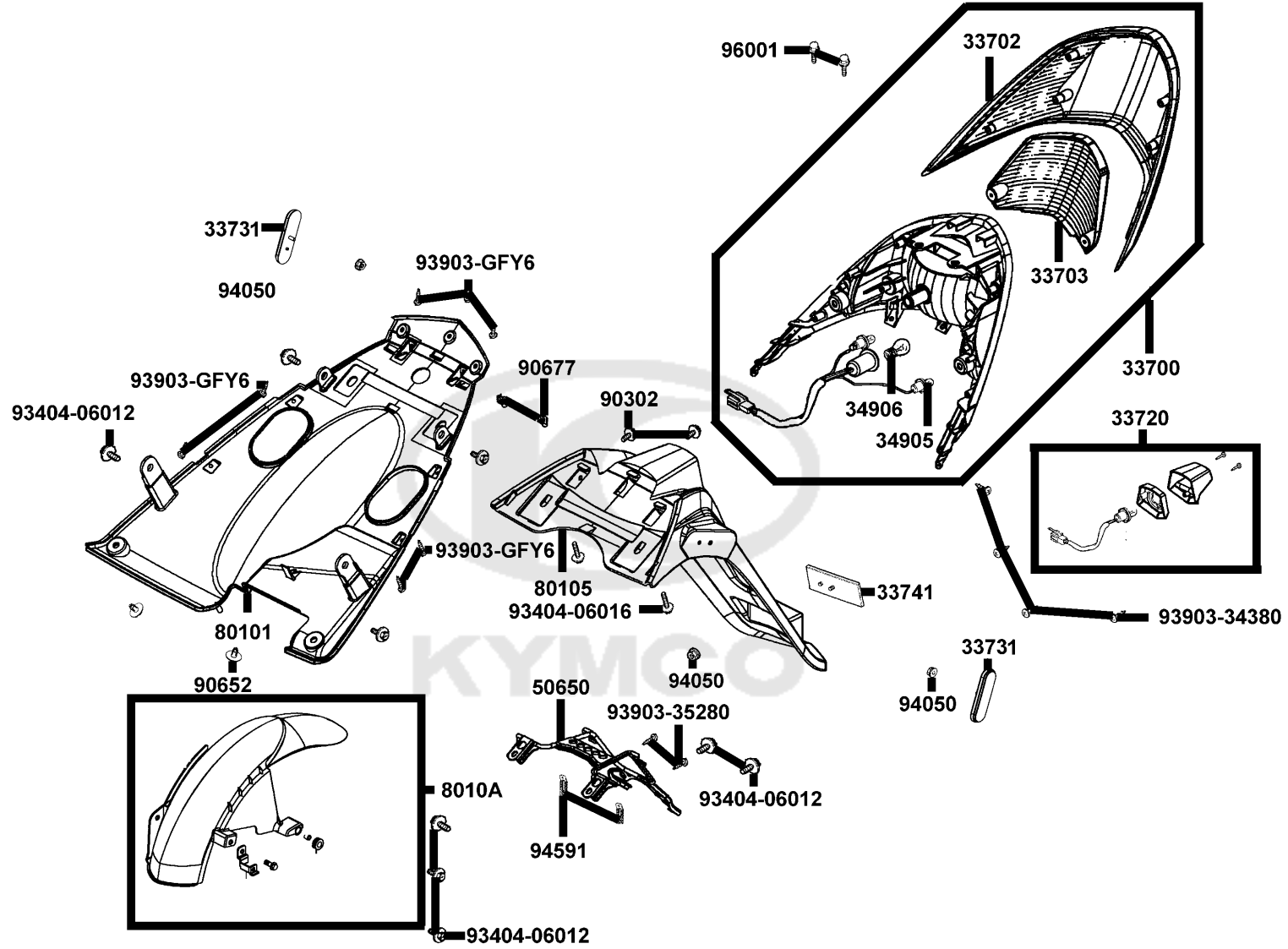
F17

Front Winker

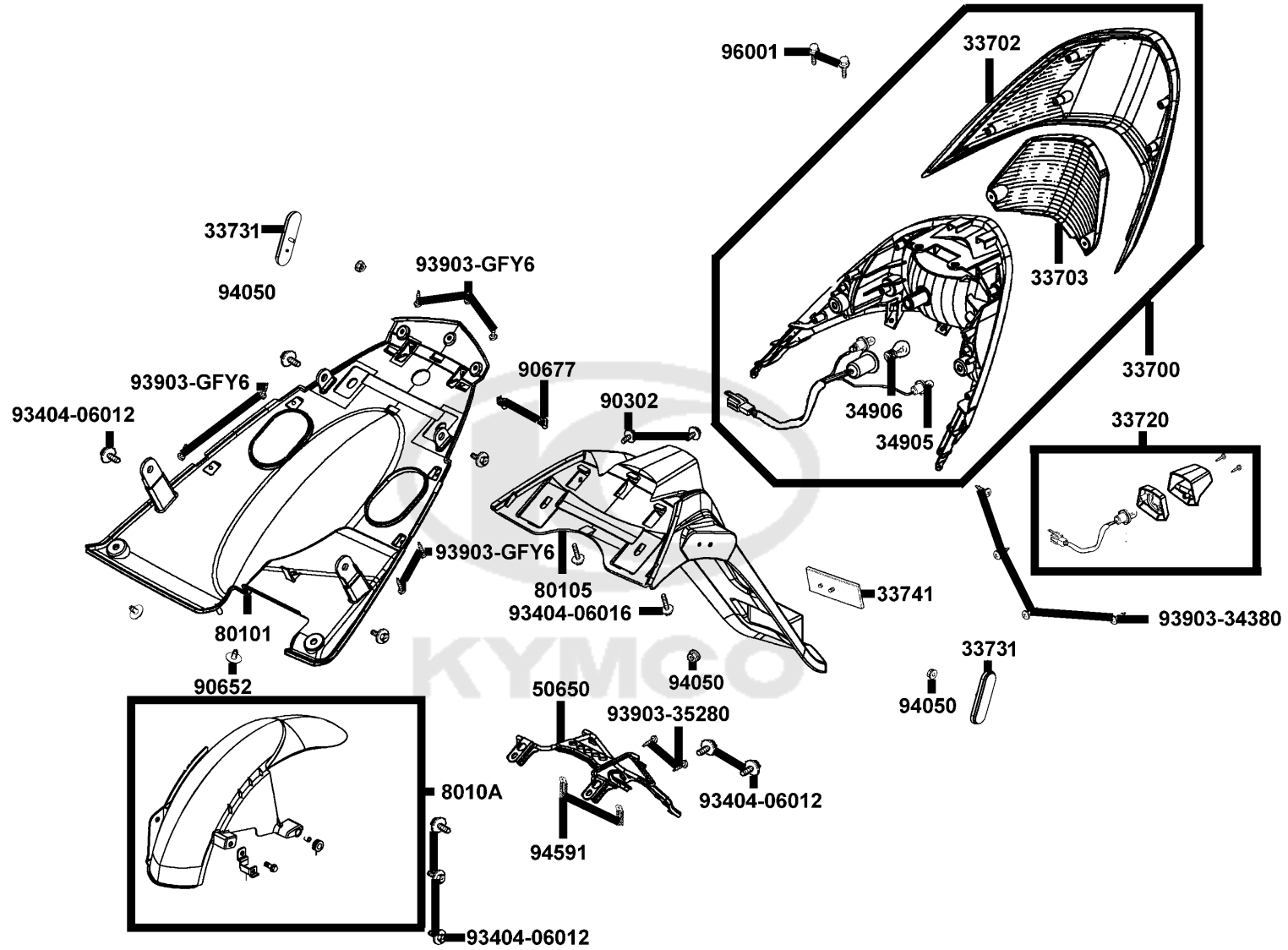


Sales mark	Ref no	Part no	Description	Reg description	Regd no	F17
	33400	33400-LFC2-E10	WINKER ASSY RH FR	WINKER ASSY RH FR	1	
	33402	33402-LFC2-E10	LENS R FR WINKER	LENS R FR WINKER	1	
	33405	33405-LFC2-E10	BASE R FR WINKER	BASE R FR WINKER	1	
	33450	33450-LFC2-E10	WINKER ASSY LH FR	WINKER ASSY LH FR	1	
	33452	33452-LFC2-E10	LENS L FR WINKER	LENS L FR WINKER	1	
	34905	34905-LBA8-E80	BULB RR WINKER	BULB RR WINKER	1	
	93901	93901-34220	SCREW TAPPING 4*10 (C)	SCREW TAPPING 4*10 (C)	1	
	93903	93903-34380	BOLT FLANGE	BOLT FLANGE	8	





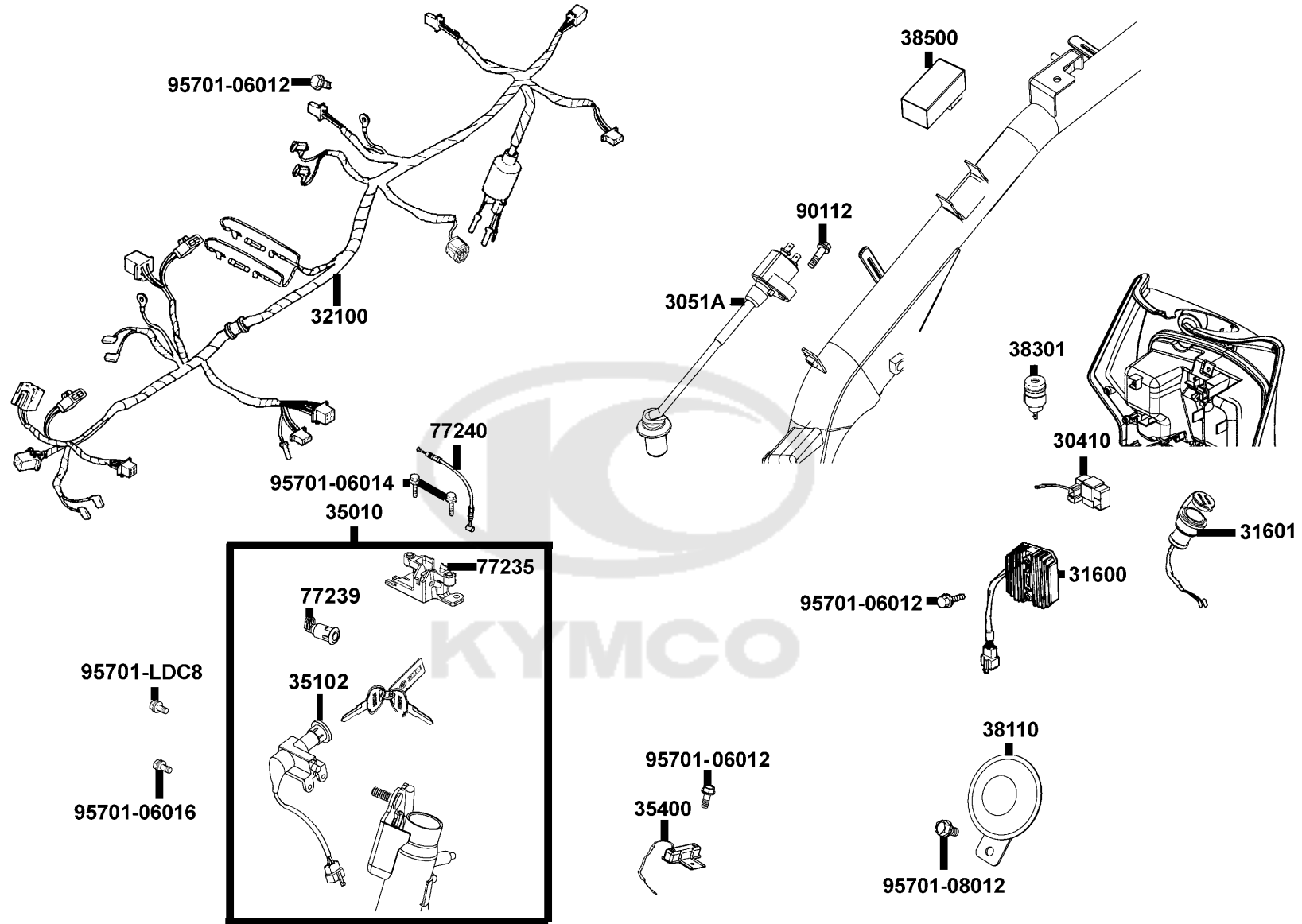
Sales mark	Ref no	Part no	Description	Reg description	Regd no	F18
	33700	33700-LFC2-E10	LIGHT ASSY RR COMB	LIGHT ASSY RR COMB	1	
	33702	33702-LFC2-E10	LENS TAIL LIGHT	LENS TAIL LIGHT	1	
	33703	33703-LFC2-E10	LENS TAIL LIGHTRED	LENS TAIL LIGHTRED	1	
	33720	33720-LEJ2-E10	LIGHT ASSY LICENSE	LIGHT ASSY LICENSE	1	
	33731	33731-KGB5-C00	REFLEX REFLECTOR SIDE	REFLEX REFLECTOR SIDE	1	
	33741	33741-KEBE-C00	REFLEX REFLECTOR	REFLEX REFLECTOR	1	
	34905	34905-KPCP-C00	BULB WINKER	BULB WINKER	1	
	34906	34906-KPCP-900	BULB TAIL & STOP	BULB TAIL & STOP	1	
	50650	50650-LFC2-E10	STAY RR. FENDER	STAY RR. FENDER	1	
**	80101	80101-LFC2-E10	FENDER RR INNER	FENDER RR INNER	1	
	80105	80105-LFC2-E10	FENDER REAR	FENDER REAR	1	
	8010A	8010A-LFC2-E10	FENDER ASSY. RR TIRE	FENDER ASSY. RR TIRE	1	
	90302	90302-GFY6-C00	BOLT-WASH 5*12	BOLT-WASH 5*12	1	
	90652	90652-LCA4-C10	CLIP MUDGUARD	CLIP MUDGUARD	1	
	90677	90677-GAR1-C00	NUT CLIP 5MM	NUT CLIP 5MM	1	
	93404-06012	93404-06012-07	BOLT WASHER 6*12(K)	BOLT WASHER 6*12(K)	9	
	93404-06016	93404-06016-07	BOTL WASHER 6*16(K)	BOTL WASHER 6*16(K)	3	
	93903-34380	93903-34380	BOLT FLANGE	BOLT FLANGE	9	
	93903-35280	93903-35280	SCREW TAPPING 5*12 (K)	SCREW TAPPING 5*12 (K)	2	
	93903-GFY6	93903-GFY6-C00	SCREW TAPPING 4*14	SCREW TAPPING 4*14	1	



Sales mark	Ref no	Part no	Description	Reg description	Regd no	F18
------------	--------	---------	-------------	-----------------	---------	------------

94050		94050-05080	NUT FLANGE 5MM	NUT FLANGE 5MM	3	
94591		94591-25000	CLIP BIND	CLIP BIND	2	
96001		96001-06012-08	BOLT FLANGE 6*12	BOLT FLANGE 6*12	2	

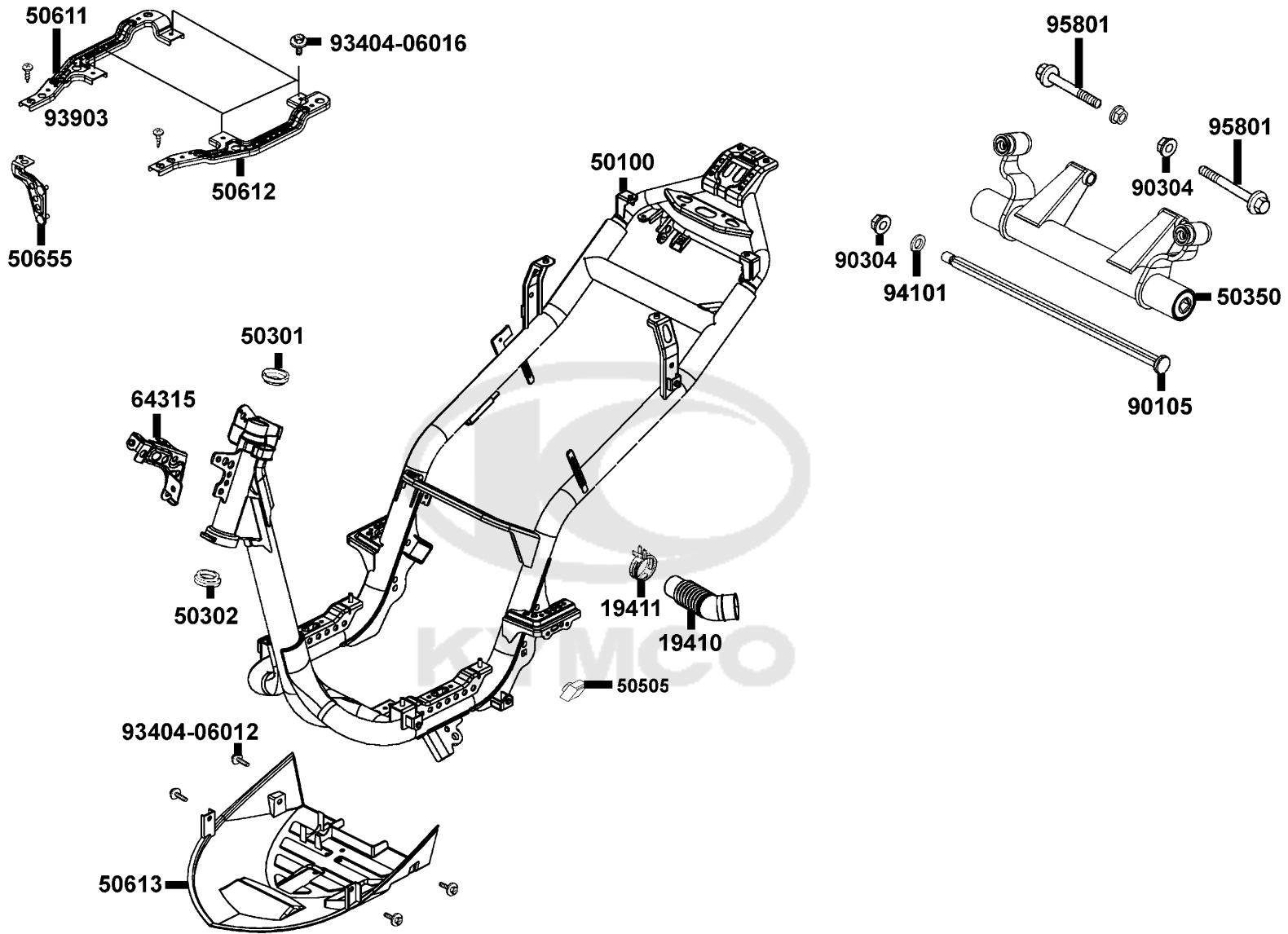




Sales mark	Ref no	Part no	Description	Reg description	Regd no	F19
	30410	30410-LEJ2-E10	"UNIT COMP.,CDI"	"UNIT COMP.,CDI"	1	
	3051A	3051A-LLF5-C00	COIL ASSY IGN	COIL ASSY IGN	1	
	31600	31600-LFC2-E10	REG REC COMP DC	REG REC COMP DC	1	
	31601	31601-LFC2-E10	SOCKET COMP DC 12V	SOCKET COMP DC 12V	1	
	32100	32100-LFC2-E10	HARNESS WIRE	HARNESS WIRE	1	
	35010	35010-LFC2-E10	KEY SET	KEY SET	1	
	35102	35102-KGBG-91B	COLLAR MAIN SW	COLLAR MAIN SW	1	
	35400	35400-LEJ2-E10	RESISTOR COMP	RESISTOR COMP	1	
	38110	38110-KGC4-B50	HORN COMP	HORN COMP	1	
	38301	38301-GGS7-C00	RELAY COMP AP WINKER	RELAY COMP AP WINKER	1	
	38500	38500-KKDK-C00	RELAY ASSY START	RELAY ASSY START	1	
	77235	77235-KGC4-C00	SEAT CATCH	SEAT CATCH	1	
	77239	77239-GFY6-C00	KEY SEAT LOCK	KEY SEAT LOCK	1	
	77240	77240-LFC2-E10	"CABLE,SEAT LOCK"	"CABLE,SEAT LOCK"	1	
	90112	90112-KRDR-C00	BOLT FLANGE 5*22	BOLT FLANGE 5*22	1	
	95701-06012	95701-06012-08	BOLT FLANGE 6*12	BOLT FLANGE 6*12	3	
	95701-06014	95701-06014-08	BOLT FLANGE 6*14 (C)	BOLT FLANGE 6*14 (C)	2	
	95701-06016	95701-06016-08	BOLT FLANGE 6*16 (C)	BOLT FLANGE 6*16 (C)	1	
	95701-08012	95701-08012-08	BOLT FLANGE 8*12 (C)	BOLT FLANGE 8*12 (C)	1	
	95701-LDC8	95701-LDC8-E10	BOLT TORQUE 6*16	BOLT TORQUE 6*16	1	

F20

Frame Body



Sales mark	Ref no	Part no	Description	Reg description	Regd no	F20
	19410	19410-LEJ2-E10	DUCT COOLING	DUCT COOLING	1	
	19411	19411-KNBN-C00	CLIP HOSE	CLIP HOSE	1	
	50100	50100-LFC2-E10	BODY COMP FRAME	BODY COMP FRAME	1	
	50301	50301-KGN7-C00	RACE UPPER STRG BALL	RACE UPPER STRG BALL	1	
	50302	50302-2H68-C00	RACE (STRG BOT) BALL	RACE (STRG BOT) BALL	1	
	50350	50350-LFC2-E10	HANGER ASSY ENG.	HANGER ASSY ENG.	1	
	50505	50505-LEJ2-E11	STOPPER RUBBER	STOPPER RUBBER	1	
	50611	50611-LFC2-E10	RNFCT R FLOOR	RNFCT R FLOOR	1	
	50612	50612-LFC2-E10	RNFCT L FLOOR	RNFCT L FLOOR	1	
**	50613	50613-LFC2-E10	COVER UNDER	COVER UNDER	1	
	50655	50655-LFC2-E10	STAY REG REC	STAY REG REC	1	
	64315	64315-LFC2-E10	STAY FR COVER	STAY FR COVER	1	
	90105	90105-LEJ2-E10	SQUARE BOLT	SQUARE BOLT	1	
	90304	90304-GHE8-C00	NUT U 10MM (C)	NUT U 10MM (C)	1	
	93404-06012	93404-06012-07	BOLT WASHER 6*12(K)	BOLT WASHER 6*12(K)	4	
	93404-06016	93404-06016-07	BOTL WASHER 6*16(K)	BOTL WASHER 6*16(K)	4	
	93903	93903-35280	SCREW TAPPING 5*12 (K)	SCREW TAPPING 5*12 (K)	2	
	94101	94101-10800	WASHER PLAIN 10MM (C)	WASHER PLAIN 10MM (C)	1	
	95801	95801-10070-08	BOLT FLANGE 10*70 (C)	BOLT FLANGE 10*70 (C)	1	

95002



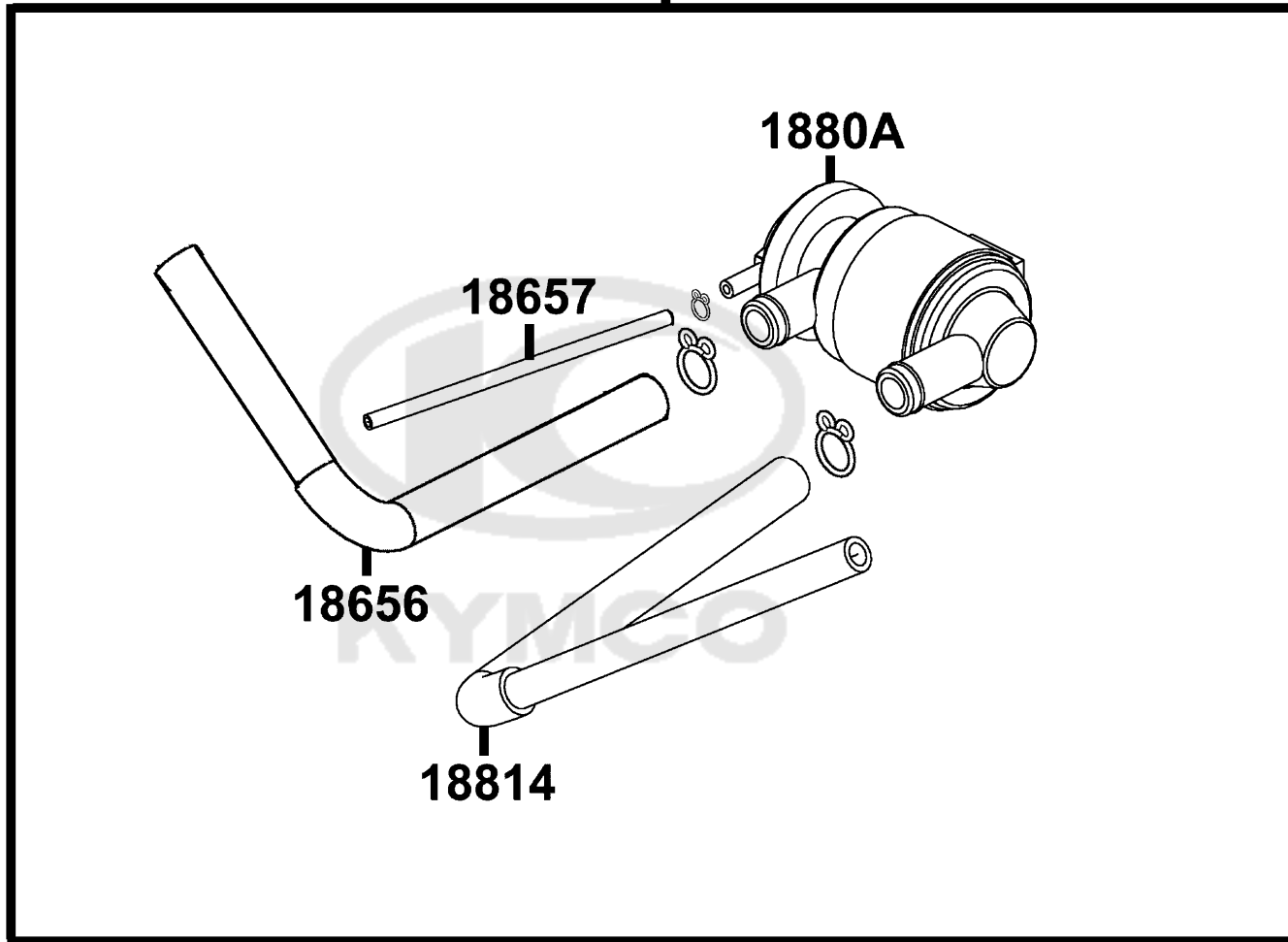
1880B

1880A

18657

18656

18814



Sales mark	Ref no	Part no	Description	Reg description	Regd no	F21
18656	18656-LEJ2-E10	18656-LEJ2-E10	TUBE AICV-REED VALVE	TUBE AICV-REED VALVE	1	
18657	18657-LEJ2-E10	18657-LEJ2-E10	TUBE ASSY INLET PIPE AICV	TUBE ASSY INLET PIPE AICV	1	
1880A	1880A-LEJ2-E10	1880A-LEJ2-E10	AI/C AICV ASSY	AI/C AICV ASSY	1	
1880B	1880B-LEJ2-E10	1880B-LEJ2-E10	AI/C-AICV SET	AI/C-AICV SET	1	
18814	18814-LEJ2-E10	18814-LEJ2-E10	DUCTAIR-AICV	DUCTAIR-AICV	1	
95002	95002-02070	95002-02070	CLIP B7 TUBE	CLIP B7 TUBE	1	



F22

Emblem Stripe

• Be sure to wear a safety helmet when riding.
 • Do not exceed the speed specified by law when riding.
 • The ambient weather temperature is very high after riding, be sure to park the motorcycle in a place not easily touched by people.
 • For riding safety and good performance, do not violate the law to modify the motorcycle.
 • Please read the User's Manual carefully to avoid riding safety.

• Make sure to perform the periodic maintenance and periodic inspection.
 Periodic Inspection Items
 Brake Performance, tires, engine oil level, lights, horn, and instrument panel.
 KWANG YANG MOTOR CO., LTD.

87560

CAUTIONS

Tire Size : Front 100/80-16 Rear 120/80-16
 (One Rider) : Front 1.50kg/cm² Rear 1.75kg/cm²
 (Two Rider) : Front 2.00kg/cm² Rear 2.25kg/cm²
 Load Capacity : Shield 1.5kg Rear carrier 3kg
 inner box under saddle 10kg
 (Note: The tire pressure must not overpass 2.30kg/cm²)

• Check the motor oil level with the dipstick after refilling motor oil.

87505-1P02-E10

87505

CAUTIONS

Before starting the engine, the side stand shall be kicked up to secure safety.

87541-GAR1

ENGINE OIL

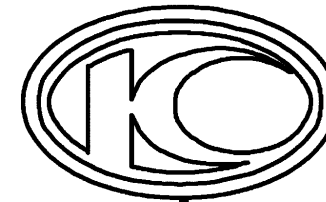
Make sure to use KYMCO-recommended SIGMA 4-stroke engine oil.

Full Capacity 0.85ℓ
 Exchange Capacity 0.70ℓ
 After refilling, check the oil level with dipstick.
 K8G-E00

87541-KGBG

AGILITY 50

86202



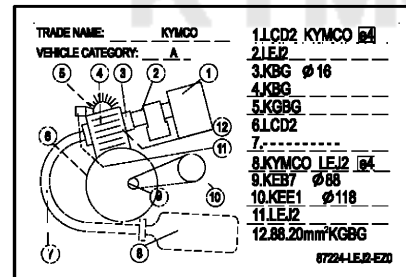
86102

CAUTIONS

Never put any article between the rear side cover and the engine to avoid interference of riding.

GMS-300

87542



87224

Sales mark	Ref no	Part no	Description	Reg description	Regd no	F22
**	86102	86102-LEJ2-E00	STRIPE K-LOGO 22MM	STRIPE K-LOGO 22MM	1	
**	86202	86202-LFC2-E10	EMB BODY COVER	EMB BODY COVER	2	
**	87224	87224-LEJ2-EZ0	CAUTION ANTI TAMPERING	CAUTION ANTI TAMPERING	1	
**	87505	87505-LFC2-E10	LABEL TIRE	LABEL TIRE	1	
**	87541-GAR1	87541-GAR1-C01	MARK MAINT CAUTION L	MARK MAINT CAUTION L	1	
**	87541-KGBG	87541-KGBG-E00	LABEL OIL CAP	LABEL OIL CAP	1	
**	87542	87542-GAR1-E01	MARK MAINT CAUTION	MARK MAINT CAUTION	1	
**	87560	87560-GFY6-C01	MARK DRIVE CAUTION	MARK DRIVE CAUTION	1	



PART NO. INDEX

PART NO.	VERSION	PAGE	PART NO.	VERSION	PAGE	PART NO.	VERSION	PAGE
11000			12191-KGBG-900	0	E03	14510-KGBG-C00	0	E03
11100-LFC2-E10	7	E01	12200-KGBG-C10	0	E02	14531-GLR0-W10	1	E03
11102-1G87-C00	1	E01	12200-LBD6-C00	0	E02	1453A-GFY6-W10	0	E03
11192-KGBG-C10	0	E01	12209-GDB4-C00	1	E02	14550-LDC8-C10	0	E03
11200-LFC2-E10	9	E01	12211-KGBG-C00	0	E02	14555-KKJ9-C10	0	E03
11201-LCD2-E00	0	E01	12251-KGBG-C00	0	E02	14610-KGBG-C00	0	E03
11202-KGBG-900	1	E01	12310-KHC5-C00	0	E02	14711-KGBG-C00	0	E02
11203-GGC7-W10	2	E01	1231A-KHC5-C10	0	E02	14721-KGBG-C00	0	E02
11204-LEJ2-E10	0	E01	12361-GFY6-C00	1	E04	14751-GEN5-C00	0	E02
11205-GHAH-C00	0	E01	12391-KEE1-C00	0	E02	14771-GDB4-C00	2	E02
11205-LFC2-E10	0	E01	13000			14775-MFA6-C00	2	E02
11208-LFC2-E10	1	E07	13000-LDC5-C00	6	E03	14781-MFA6-C00	4	E02
11211-LCD2-E00	1	F13	13011-KGBG-C00	0	E03	15000		
11330-LBD6-C00	1	E04	13101-LCB9-B20	2	E03	15100-LDC5-C00	3	E06
11340-LEJ2-E10	0	E01	13111-KGBG-C00	0	E03	15133-LDC5-C00	2	E06
11381-LBC9-C00	0	E01	13115-0A01-C00	2	E03	15421-1G07-W10	1	E04
11382-LCD2-E00	1	E01	14000			15426-GAE1-C00	1	E04
11382-LEJ3-E10	0	F03	14100-KGBG-C00	4	E02	15651-GFY6-C00	1	E04
11394-KGBG-C00	0	E04	14401-KGBG-900	0	E03	1565A-GFY6-W10	1	E04
11395-LCD2-C00	0	E01	14431-KGBG-W10	0	E02	16000		
12000			14450-KGBG-W10	0	E02	16012-LDC8-E10	3	E09
12100-KGBG-A60	3	E03	14452-KGBG-W10	0	E02	16019-KGC5-900	0	E09

PART NO. INDEX

PART NO.	VERSION	PAGE	PART NO.	VERSION	PAGE	PART NO.	VERSION	PAGE
16023-KGC5-900	1	E09	1621A-KGBG-C00	2	E02	18294-KEBE-C00	0	F14
16035-LDC8-E10	0	E09	1691A-LEJ2-E10	0	F10	18295-KECE-900	0	F14
16068-KGC5-900	6	E09	16950-LCA3-B50	1	F10	18300-LFC2-E10	1	F14
16069-KHC4-900	0	E09				18306-LEJ2-E10	3	F14
16070-KEC3-900	0	E09	17000			1830A-LFC2-E10	2	F14
16074-KEC3-900	0	E09				18318-LCD3-E10	5	F14
16079-KHC4-900	2	E09	1711A-LEJ2-E10	0	E02	18325-LFC2-E10	1	F14
16087-LDC8-E10	1	E09	17200-LEJ2-E10	3	F13	18612-GFY6-C00	0	E02
16088-KEC5-900	0	E09	17211-LAB4-C00	0	F13	18645-GFY6-C00	1	E02
16093-KEC3-9000	1	E09	17215-LCD2-C00	0	F13	18646-LDC8-E10	1	E02
16095-KEC3-9000	2	E09	1723A-LCD2-E00	3	F13	18647-GFY6-C00	1	E02
16100-LEJ2-E10	4	E09	1723B-LCD2-E00	3	F13	18656-LEJ2-E10	0	F21
16111-KEC3-900	1	E09	17255-KGBG-900	1	F13	18657-LEJ2-E10	0	F21
16116-KGC5-900	0	E09	17256-KGBG-C00	4	E02	1880A-LEJ2-E10	0	F21
16120-KEC3-900	0	E09	17370-4K19-C00	0	F13	1880B-LEJ2-E10	0	F21
16122-KEC3-900	0	E09	17500-LEJ2-E10	5	F10	18814-LEJ2-E10	0	F21
16124-KEC3-9000	0	E09	17620-LBA8-C10	0	F10			
16131-KGC6-900	0	E09	17683-LEJ2-E10	0	F10	19000		
16132-KEC3-900	0	E09	17684-LEJ2-E10	0	F10			
16134-KGC5-900	1	E09	17910-LCD2-C00	0	F03	19410-LEJ2-E10	0	F20
16138-KGC5-900	0	E09				19411-KNBN-C00	2	F20
16142-KGC5-900	1	E09	18000			19510-LDC5-C00	0	E07
16154-KGC5-900	3	E09				19610-LFC2-E10	2	E07
16165-KGC5-900	0	E09	18291-GGA7-C00	0	F14	1961A-KGBG-E01	0	E07
16170-KGC5-900	2	E09	18292-KEBE-C00	0	F14	19625-KEE1-C00	0	E07
16180-KGC5-900	3	E09	18293-KECE-C00	0	F14	1962A-KEE1-C00	0	E07

PART NO. INDEX

PART NO.	VERSION	PAGE	PART NO.	VERSION	PAGE	PART NO.	VERSION	PAGE
1963A-LDC8-E10	1	E07	23237-GAR1-C00	0	E05	31000		
21000			23238-GGS7-C00	0	E05			
			23411-LCD2-C00	0	E08			
			23420-LCD2-C00	0	E08			
21200-LCD2-C00	0	E08	23431-LCD2-E00	4	E08	31100-LEJ2-E11	4	E07
21395-LCD2-C00	0	E08	23432-LCD2-C00	0	E08	31110-LEJ2-E11	00	E07
22000			28000			31120-LEJ2-E10	2	E07
						31200-LEJ2-E10	1	E06
						31209-KEE1-C00	2	E06
						31500-GFY6-C00	1	F11
22100-LDC8-E10	0	E05	28211-KEB7-W10	0	E05	31600-LFC2-E10	1	F19
22102-LDC8-E10	0	E05	28212-LEJ2-E10	0	E05	31601-LFC2-E10	1	F19
22103-KEB7-C00	0	E05	28230-GHAH-7210	0	E01	32000		
22105-LCD2-C00	0	E05	2823A-LBD6-C00	2	E01			
22110-LEJ2-E10	0	E05	28250-LEJ2-E10	1	E01			
22121-LBD6-C00	2	E05	28253-GBN2-C00	1	E01			
22131-GHAH-C00	0	E05	28255-GFS6-C00	1	E01	32100-LFC2-E10	2	F19
22132-GLW0-C00	0	E05	28281-GBN2-C00	1	E01	33000		
22300-KEE1-C00	0	E05	28300-KNBN-C00	3	F15			
23000			30000					
						33108-LFC2-E10	0	F01
						33400-LFC2-E10	1	F17
						33402-LFC2-E10	1	F17
23010-LDC8-E10	0	E05	30410-LEJ2-E10	2	F19	33405-LFC2-E10	0	F17
23100-KEB7-C00	0	E05	3051A-LLF5-C00	1	F19	33450-LFC2-E10	1	F17
23200-GAR1-C00	0	E05				33452-LFC2-E10	0	F17
23220-LDC8-E10	0	E05				33700-LFC2-E10	1	F18
23233-KEE1-C10	1	E05						

PART NO. INDEX

PART NO.	VERSION	PAGE	PART NO.	VERSION	PAGE	PART NO.	VERSION	PAGE
33702-LFC2-E10	1	F18	35340-KNBN-901	1	F04	42753-HHJ1-C00	0	F08
33703-LFC2-E10	1	F18	35400-LEJ2-E10	0	F19			
33720-LEJ2-E10	0	F18				43000		
33731-KGB5-C00	2	F18	37000					
33741-KEBE-C00	0	F18				4312A-KUDU-C00	1	F08
			37200-LFC2-E10	0	F02	4314A-LCD3-E00	2	F08
34000			37211-LFC2-E10	1	F02	43151-KGM7-C00	0	F08
			37213-LFC2-E10	0	F02	43410-KFA6-900	1	F08
34901-LDC8-E10	1	F01	37215-LFC2-E10	0	F02	43450-LCD2-E10	0	F03
34905-KPCP-C00	1	F18	37224-LFC2-E10	1	F02	43472-KHG8-C00	0	F08
34905-LBA8-E80	1	F17	37280-LEJ2-E0A	0	F02	43472-LFC2-E10	1	F03
34906-KPCP-900	0	F18	37802-GGA7-C00	1	F10			
34908-LEJ2-E00	0	F02	3780A-LEJ2-E10	0	F10	44000		
34909-LEJ2-E00	0	F02						
			38000			44301-LEJ2-E10	4	F07
35000						44311-LFC2-E10	2	F07
			38110-KGC4-B50	2	F19	44600-LFC2-E10	2	F07
35010-LFC2-E10	1	F19	38301-GGS7-C00	3	F19	44601-LFC2-E10	2	F07
35102-KGBG-91B	0	F19	38500-KKDK-C00	5	F19	44620-KFLF-C00	1	F07
35151-KGBG-C00	0	F03				44680-4L10-C00	0	F07
35152-LGB5-E10	0	F03	42000			44710-LFC2-E10	1	F07
3515A-LGB5-E10	3	F03				44800-LKD1-E10	1	F07
35201-KGBG-C00	0	F03	42600-LFC2-E10	1	F08	44830-LCD3-C00	0	F02
35202-LGB5-E10	0	F03	42601-LFC2-E10	1	F08			
3520A-LCD3-C00	0	F03	42710-LFC2-E10	1	F08			
35340-KKJ9-C00	0	F03	42753-HHJ1-C00	0	F07			

PART NO. INDEX

PART NO.	VERSION	PAGE	PART NO.	VERSION	PAGE	PART NO.	VERSION	PAGE
45000			50510-LFC2-E10	2	F15			
			50530-LFC2-E10	3	F15	52000		
			50531-KEB7-C00	1	F15			
45105-LEJ2-306	0	F04	50535-KEB7-W10	3	F15	52400-LFC2-E80	0	F16
45121-LFC2-E80	0	F07	50550-KEB7-C00	1	F15			
45126-LFC2-E10	1	F04	50611-LFC2-E10	2	F20	53000		
45156-KBN-9010	0	F06	50612-LFC2-E10	1	F20			
45156-LCB9-B20	0	F06	50613-LFC2-E10	1	F20	53100-LFC2-E10	2	F03
45200-LFC2-E10	1	F04	50650-LFC2-E10	3	F18	53105-KNBN-C00	2	F03
4550A-LFC2-E1A	1	F04	50655-LFC2-E10	2	F20	53125-GEN5-C00	1	F03
4550B-LFC2-E10	4	F04	51000			53140-LEJ2-E10	0	F03
45517-GFY6-900	5	F03				53166-LEJ2-E10	0	F03
45517-KFAF-910	1	F04				53172-KTCT-C00	0	F03
			51400-LFC2-E80	0	F06	53175-KTCT-C00	0	F04
50000			51401-LEJ2-E10	0	F06	53178-LFC2-E10	0	F03
			51410-LEJ2-E10	0	F06	5317B-LFC2-E10	0	F03
50100-LFC2-E10	3	F20	51412-LEJ2-E10	0	F06	53200-LFC2-E10	1	F06
50301-KGN7-C00	2	F20	51422-LEJ2-E10	0	F06	53204-LFC2-E10	1	F03
50302-2H68-C00	2	F20	51427-LEJ2-E10	0	F06	53205-LFC2-E10	1	F03
50306-1F96-C00	1	F06	51428-LEJ2-E10	0	F06	53206-LFC2-E10	1	F03
50326-LFC2-E10	1	F12	51429-LEJ2-E10	0	F06	53211-GFY6-C00	1	F06
50350-LFC2-E10	3	F20	51437-LEJ2-E10	0	F06	53212-2L50-C00	1	F06
50500-LFC2-E10	3	F15	51500-LFC2-E80	0	F06	53214-2L50-C00	1	F06
50502-LDF7-C00	1	F15	51520-LFC2-E10	0	F06	53215-2L50-C00	1	F06
50505-LAD9-C00	0	F15						
50505-LEJ2-E11	2	F20						

PART NO. INDEX

PART NO.	VERSION	PAGE	PART NO.	VERSION	PAGE	PART NO.	VERSION	PAGE
61000			77000			81142-KFA6-C00	1	F05
61100-LFC2-E10	1	F06	77200-LFC3-E10	0	F09	81146-LFC2-E10	1	F05
			77232-KCAC-C00	2	F12	81147-LFC2-E10	1	F05
64000			77235-KGC4-C00	2	F19	81200-LFC2-E10	1	F12
64210-LFC2-E10	1	F03	77239-GFY6-C00	0	F19	81250-LFC2-E10	1	F12
64211-LFC2-E10	1	F03	77240-LFC2-E10	5	F19	81251-LEJ3-E10	0	F12
64301-LFC2-E10	2	F05				83000		
64302-LFC2-E10	1	F05	80000			83500-LFC2-E10	1	F12
64303-LFC2-E10	1	F05	80101-LFC2-E10	0	F18	83510-LFC2-E10	1	F12
64305-LFC2-E10	1	F05	80101-LFC2-E10	1	F18	83600-LFC2-E10	1	F12
64306-LFC2-E10	1	F05	80105-LFC2-E10	1	F18	83610-LFC2-E10	1	F12
64307-LFC2-E10	1	F05	8010A-LFC2-E10	0	F18	83750-LFC2-E10	1	F12
64308-LFC2-E10	1	F05	80151-LFC2-E10	1	F12			
64310-LFC2-E11	0	F05				86000		
64315-LFC2-E10	3	F20	81000			86102-LEJ2-E00	2	F22
64316-LCB9-C10	4	F05				86202-LFC2-E10	1	F22
64316-LCB9-C10	4	F12	81131-LFC2-E10	1	F05			
64350-LFC2-E11	0	F05	81132-LCB9-C10	0	F05	87000		
64360-LFC2-E11	0	F05	81132-LFC2-E10	1	F05			
			81133-KNBN-C00	1	F05	87224-LEJ2-EZ0	1	F22
75000			81134-KGBG-C00	2	F05	87505-LFC2-E10	2	F22
			81134-LFC2-E10	1	F05	87541-GAR1-C01	0	F22
75581-6C73-C00	1	F05	81141-LFC2-E10	1	F05	87541-GAR1-C01	1	F22

PART NO. INDEX

PART NO.	VERSION	PAGE	PART NO.	VERSION	PAGE	PART NO.	VERSION	PAGE
87541-KGBG-E00	0	E07	90108-KFA6-E00	1	F15	90426-KNBN-C00	1	E05
87541-KGBG-E00	0	F22	90110-GLW0-C00	0	F05	90442-GFF6-C00	0	E02
87542-GAR1-E01	2	F22	90110-KEB7-C00	1	F06	90451-GBN2-C00	1	E01
87560-GFY6-C01	3	F22	90110-LCD4-E00	1	F14	90474-3C33-C00	1	E01
			90111-1G87-C00	1	F12	90501-KNBN-C00	1	F08
88000			90112-KRDR-C00	1	F19	9052A-GFY6-C00	1	E01
			90115-GLE0-C00	0	F03	90544-LEJ2-E10	0	F06
88110-LEB5-C11	0	F03	90116-LEJ2-E10	0	F06	90545-3L00-C00	2	F04
88120-LEB5-C11	0	F03	90131-GLW0-C00	0	F04	90652-LCA4-C10	6	F03
			90145-9A61-C00	1	F04	90652-LCA4-C10	6	F18
89000			90164-KGBG-C00	0	F05	90677-GAR1-C00	1	F18
			90202-1G87-C00	0	E05	90683-GAR1-C00	4	F05
89010-KGBG-C00	1	F09	90202-GFF6-011	0	E02	90701-GFF6-C00	0	E02
89020-KKC4-900	1	F09	90206-0A01-C00	2	E02	90701-GFF6-C00	0	E03
			90301-KGBG-C00	0	F14	90701-HDC4-C00	1	E06
90000			90302-GFY6-C00	2	F18	90741-0E35-C00	0	E03
			90302-LLB1-C00	2	F03			
9000A-LEJ2-E10	0	E01	90302-SDA4-C00	2	F05	91000		
90012-3C33-C00	1	E02	90302-SDA4-C00	2	F12			
90031-KGBG-C00	0	E01	90304-4H38-C00	0	E02	91003-KDS4-C00	1	E08
90032-KGBG-C00	0	E01	90304-GHE8-C00	1	F03	91004-KNBN-C00	0	E01
90033-0A41-C00	0	E02	90304-GHE8-C00	1	F20	91009-GLE0-C00	1	E08
90033-GFY6-C10	2	E02	90305-GHK8-C00	1	F06	91014-LLJ3-C00	1	F06
90105-KCR3-001	3	F07	90305-KNBN-C00	1	F08	91015-LLJ3-C00	1	F06
90105-LEJ2-E10	0	F20	90306-KLF0-C00	0	F07	91201-GFY6-C00	1	E01
90106-GEN5-901	1	F03	90412-3K29-C00	1	E01	91201-KGBG-C00	0	E04

PART NO. INDEX

PART NO.	VERSION	PAGE	PART NO.	VERSION	PAGE	PART NO.	VERSION	PAGE
91204-KNBN-C00	1	E01	93404-06025-07	1	F06			
91211-KEE1-C00	0	E05	93500-04010-1A	0	E09	94000		
91251-LEJ2-E10	0	F06	93500-04012-1A	0	E09			
91252-0L30-004	0	F07	93500-04014-1A	0	E09	94001-05080-0S	0	F03
91254-LEJ2-E10	0	F06	93500-05012-1A	0	E09	94001-12280-0S	0	E05
91255-LDC8-E10	4	E08	93700-05018-0H	1	F02	94050-05080	2	F18
91258-4L10-007	1	F07	93901-34220	0	F17	94050-06080	2	E02
91301-GLR0-W10	1	E03	93903-34280	0	F03	94050-06080	2	F09
91302-0A01-C00	1	E04	93903-34280	0	F05	94050-08080	4	F15
91305-0H28-C00	0	E06	93903-34320	0	F02	94050-10080	1	E05
91307-0E35-W10	1	E04	93903-34380	6	F03	94050-10080	1	E07
92000			93903-34380	6	F05	94101-06200	1	F14
			93903-34380	6	F12	94101-10800	1	F20
			93903-34380	6	F17	94301-08140	4	E01
92101-05012-0H	2	E07	93903-34380	6	F18	94301-08140	4	E04
92900-06050-0B	1	E02	93903-35280	1	F02	94301-10160	4	E08
93000			93903-35280	1	F03	94510-20000	1	E08
			93903-35280	1	F18	94511-14000	1	E01
			93903-35280	1	F20	94540-06018	2	E06
93404-06012-07	5	F12	93903-35320	4	F01	94591-25000	0	F18
93404-06012-07	5	F18	93903-GFY6-C00	2	F05	94591-LDC8-E10	1	E02
93404-06012-07	5	F20	93903-GFY6-C00	2	F12	94608-LEJ2-E10	0	F06
93404-06016-07	0	F05	93903-GFY6-C00	2	F18			
93404-06016-07	0	F18	93904-35380	2	E07	95000		
93404-06016-07	0	F20	93982-04008-18	0	E09			
93404-06020-07	4	F05				95002-02070	2	F21

PART NO. INDEX

PART NO.	VERSION	PAGE	PART NO.	VERSION	PAGE	PART NO.	VERSION	PAGE
95002-02080	0	F13	95801-08065-07	0	F14	96100-60020-00	1	E01
95002-02120	1	F13	95801-10035-08	1	F16	96100-60020-00	1	E08
95002-02130	0	F13	95801-10070-08	2	F20	96100-62020-00	1	E01
95002-41250-00	0	F13	95801-LEJ2-E10	0	F14	96100-63030-00	0	E01
95003-23036-60	0	F13				96120-63010-10	0	F07
95012-LEJ2-E10	0	F11	96000			96220-LDC5-C00	0	E06
95701-06012-08	3	F06				98000		
95701-06012-08	3	F10	96001-06010-02	1	F14			
95701-06012-08	3	F19	96001-06012-08	3	E01			
95701-06014-08	0	F19	96001-06012-08	3	E07	98056-5771R-00	1	E02
95701-06016-08	1	F19	96001-06012-08	3	F18	98200-10700	2	F11
95701-06022-07	1	F15	96001-06016-08	6	E07	98200-11000	1	F11
95701-06025-00	0	E02	96001-06018-08	1	E03			
95701-06025-08	2	E02	96001-06020-08	2	E06			
95701-06032-08	1	F08	96001-06022-08	2	E07			
95701-06035-08	1	F13	96001-06025-00	0	F04			
95701-06040-00	0	E02	96001-06025-06	0	F03			
95701-06045-08	0	F13	96001-06025-08	4	E01			
95701-08012-08	2	E01	96001-06025-08	4	E06			
95701-08012-08	2	F19	96001-06025-08	4	E07			
95701-08038-08	0	F15	96001-06035-08	7	E01			
95701-08040-08	3	F12	96001-06045-08	1	E01			
95701-10025-08	0	F15	96001-06085-08	0	E02			
95701-LDC8-E10	0	F19	96001-06085-08	0	E04			
95801-08032-08	0	F16	96001-06100-08	2	E04			
95801-08040-08	4	F06	96001-GFY6-C00	3	F13			