

PARTS CATALOGUE



SCOOTERS

KF10BB(GR)

Agility City 50(2010)



Release Date : 1899/12/31
Print Date : 2013/07/23

ABOUT THIS PARTS LIST

- This parts list is compiled all service parts for model KF10BB(GR).
- Any difference between color chart and motorcycle will be revised according to motorcycle.
- The Mark:
 1. Marking "***" must add color code in the end before ordering parts.
 2. Marking "#" are parts with modification, Please find the details from e-Parts system.
- When modification or additions to this parts list are made a revised edition at an appropriate time.



CONTENTS

● ABOUT THIS PARTS LIST	1
● COLOR CHART OF KF10BB(GR)	3
● CONTENTS-ENGINE GROUP	9
● CONTENTS-FRAME GROUP	11
● ENGINE PARTS LIST	14
● FRAME PARTS LIST	42
● PART NO. INDEX	100

NO	MODEL			COLOR CHART OF KF10BB(GR)			
	PHOTO NO			NO. 1	NO. 2	NO. 3	NO. 4
	BASIC COLOR			Deep Blue			Dark Gray Metallic
	CODE			Deep Blue			Dark Gray Metallic
	PARTS NAME	PARTS NO.	VERSION	PB281MA	PB281MA	NH230MA	NH230MA
1	COVER HANDLE FR	53205-LFC2-E10	1	CAP		HKP	
2	"COVER, FRONT"	64301-LFC2-E10	2				
3	CAP FR COVER	64303-LFC2-E10	1				
4	COVER R BODY	83500-LFC2-E10	1				
5	COVER L BODY	83600-LFC2-E10	1				
6	COVER RR CENTER	83750-LFC2-E10	1				
7	COVER BATTERY	50326-LFC2-E10	1	N1R			
8	COVER UNDER	50613-LFC2-E10	1				
9	COVER METER	53204-LFC2-E10	1				
10	COVER HANDLE RR	53206-LFC2-E10	1				
11	MOLD FRONT	64302-LFC2-E10	1				
12	SKIRT R SIDE	64305-LFC2-E10	1				
13	SKIRT L SIDE	64306-LFC2-E10	1				
14	GRILLE R FR MOLDING	64307-LFC2-E10	1				
15	GRILLE L FR MOLDING	64308-LFC2-E10	1				
16	FLOOR PANEL	64310-LFC2-E11	0				
17	PLUG FLOOR	64316-LCB9-C10	4				
18	COVER R STEP	64350-LFC2-E11	0				
19	COVER L STEP	64360-LFC2-E11	0				
20	FENDER RR TIRE	80100-LKD1-E10	0				
21	FENDER RR INNER	80101-LFC3-E10	0				
22	FENDER REAR	80105-LFC2-E10	0				
23	COVER CENTER	80151-LFC2-E10	1				
24	LEG SHIELD	81131-LFC2-E10	1				
25	LID LEG SHIELD	81132-LCB9-C10	1				
DATE OF STARTING-SALES							
DATE OF END-SALES							

NO	MODEL			COLOR CHART OF KF10BB(GR)			
	PHOTO NO			NO. 5	NO. 6	NO. 7	NO. 8
	BASIC COLOR			Black		Pearly White	
	CODE			Black		Pearly White	
	PARTS NAME	PARTS NO.	VERSION	NH001SA	NH001SA	NH193PA	NH193PA
1	COVER HANDLE FR	53205-LFC2-E10	1	N1P		NVP	
2	"COVER, FRONT"	64301-LFC2-E10	2				
3	CAP FR COVER	64303-LFC2-E10	1				
4	COVER R BODY	83500-LFC2-E10	1				
5	COVER L BODY	83600-LFC2-E10	1				
6	COVER RR CENTER	83750-LFC2-E10	1				
7	COVER BATTERY	50326-LFC2-E10	1	N1R			
8	COVER UNDER	50613-LFC2-E10	1				
9	COVER METER	53204-LFC2-E10	1				
10	COVER HANDLE RR	53206-LFC2-E10	1				
11	MOLD FRONT	64302-LFC2-E10	1				
12	SKIRT R SIDE	64305-LFC2-E10	1				
13	SKIRT L SIDE	64306-LFC2-E10	1				
14	GRILLE R FR MOLDING	64307-LFC2-E10	1				
15	GRILLE L FR MOLDING	64308-LFC2-E10	1				
16	FLOOR PANEL	64310-LFC2-E11	0				
17	PLUG FLOOR	64316-LCB9-C10	4				
18	COVER R STEP	64350-LFC2-E11	0				
19	COVER L STEP	64360-LFC2-E11	0				
20	FENDER RR TIRE	80100-LKD1-E10	0				
21	FENDER RR INNER	80101-LFC3-E10	0				
22	FENDER REAR	80105-LFC2-E10	0				
23	COVER CENTER	80151-LFC2-E10	1				
24	LEG SHIELD	81131-LFC2-E10	1				
25	LID LEG SHIELD	81132-LCB9-C10	1				
DATE OF STARTING-SALES							
DATE OF END-SALES							

NO	MODEL			COLOR CHART OF KF10BB(GR)			
	PHOTO NO			NO. 1	NO. 2	NO. 3	NO. 4
	BASIC COLOR			Deep Blue			Dark Gray Metallic
	CODE			Deep Blue			Dark Gray Metallic
	PARTS NAME	PARTS NO.	VERSION	PB281MA	PB281MA	NH230MA	NH230MA
26	CAP LEG SHIELD UP	81132-LFC2-E10	1	N1R			
27	PLATE INNER BOX	81134-LFC2-E10	1				
28	LID INNER BOX	81141-LFC2-E10	1				
29	BOX LUGGAGE	81250-LKD1-E10	0				
30	GRILL R SIDE	83510-LFC2-E10	1				
31	GRILL L SIDE	83610-LFC2-E10	1	N1S			
32	CUSHION ASSY RR	52400-LKD1-E10	0				
33	COVER L SIDE	11341-KFA6-900	0	NEA			
34	WHEEL ASSYREAR	42600-LKD1-E11	0				
35	WHEEL CASTRR	42601-LFC2-E10	0				
36	WHEEL ASSY FR	44600-LFC3-E81	2				
37	WHEEL CAST FR	44601-LFC2-E10	2				
38	FENDER FR	61100-LFC2-E10	1	NEP			
39	MIRROR ASSY R BACK	88110-LEB5-C11	0				
40	MIRROR ASSY L BACK	88120-LEB5-C11	0				
41	FORK ASSY R FR	51400-LFC3-E10	0	NGA			
42	FORK ASSY L FR	51500-LFC3-E10	0				
43	CARRIER RR	81200-LFC2-E10	1	NJA			
44	SEAT ASSY	77200-LFC3-E10	0				
45	STRIPE K-LOGO 22MM	86102-LEJ2-E00	2	T01			
46	EMB BODY COVER	86202-LKD1-E10	0				
47	EMB MARK 2T	87140-LKD1-E10	1				
48	CAUTION ANTI	87224-LKD1-EZ0	1				
49	LABEL TIRE	87505-LFC2-E10	2				
50	MARK MAINT CAUTION	87541-GAR1-C01	1				
DATE OF STARTING-SALES							
DATE OF END-SALES							

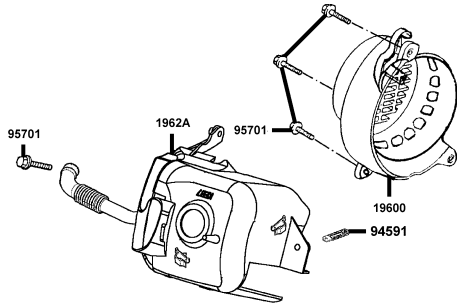
NO	MODEL			COLOR CHART OF KF10BB(GR)			
	PHOTO NO			NO. 5	NO. 6	NO. 7	NO. 8
	BASIC COLOR			Black		Pearly White	
	CODE			Black		Pearly White	
	PARTS NAME	PARTS NO.	VERSION	NH001SA	NH001SA	NH193PA	NH193PA
26	CAP LEG SHIELD UP	81132-LFC2-E10	1	N1R			
27	PLATE INNER BOX	81134-LFC2-E10	1				
28	LID INNER BOX	81141-LFC2-E10	1				
29	BOX LUGGAGE	81250-LKD1-E10	0	N1S			
30	GRILL R SIDE	83510-LFC2-E10	1				
31	GRILL L SIDE	83610-LFC2-E10	1	NEA			
32	CUSHION ASSY RR	52400-LKD1-E10	0				
33	COVER L SIDE	11341-KFA6-900	0				
34	WHEEL ASSYREAR	42600-LKD1-E11	0				
35	WHEEL CASTRR	42601-LFC2-E10	0				
36	WHEEL ASSY FR	44600-LFC3-E81	2	NEP			
37	WHEEL CAST FR	44601-LFC2-E10	2				
38	FENDER FR	61100-LFC2-E10	1				
39	MIRROR ASSY R BACK	88110-LEB5-C11	0	NGA			
40	MIRROR ASSY L BACK	88120-LEB5-C11	0				
41	FORK ASSY R FR	51400-LFC3-E10	0	NJA			
42	FORK ASSY L FR	51500-LFC3-E10	0				
43	CARRIER RR	81200-LFC2-E10	1	T01			
44	SEAT ASSY	77200-LFC3-E10	0				
45	STRIPE K-LOGO 22MM	86102-LEJ2-E00	2				
46	EMB BODY COVER	86202-LKD1-E10	0				
47	EMB MARK 2T	87140-LKD1-E10	1				
48	CAUTION ANTI	87224-LKD1-EZ0	1				
49	LABEL TIRE	87505-LFC2-E10	2				
50	MARK MAINT CAUTION	87541-GAR1-C01	1				
DATE OF STARTING-SALES							
DATE OF END-SALES							

NO	MODEL			COLOR CHART OF KF10BB(GR)			
	PHOTO NO			NO. 1	NO. 2	NO. 3	NO. 4
	BASIC COLOR			Deep Blue			Dark Gray Metallic
	CODE			Deep Blue			Dark Gray Metallic
	PARTS NAME	PARTS NO.	VERSION	PB281MA	PB281MA	NH230MA	NH230MA
51	MARK MAINT CAUTION	87542-GAR1-E01	2	T01			
52	MARK DRIVE CAUTION	87560-KNBN-E01	0				
DATE OF STARTING-SALES							
DATE OF END-SALES							

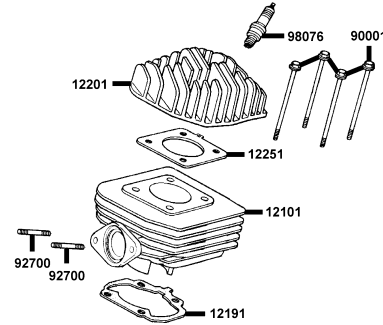
NO	MODEL			COLOR CHART OF KF10BB(GR)			
	PHOTO NO			NO. 5	NO. 6	NO. 7	NO. 8
	BASIC COLOR			Black		Pearly White	
	CODE			Black		Pearly White	
	PARTS NAME	PARTS NO.	VERSION	NH001SA	NH001SA	NH193PA	NH193PA
51	MARK MAINT CAUTION	87542-GAR1-E01	2	T01			
52	MARK DRIVE CAUTION	87560-KNBN-E01	0				
DATE OF STARTING-SALES							
DATE OF END-SALES							

CONTENTS - ENGINE GROUP

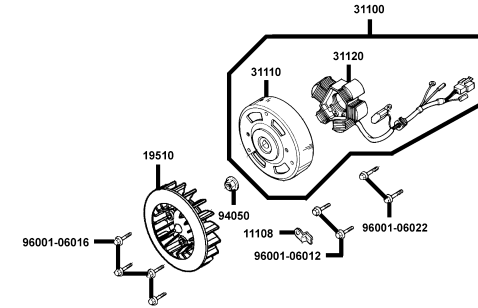
E01 COVER COMP FAN



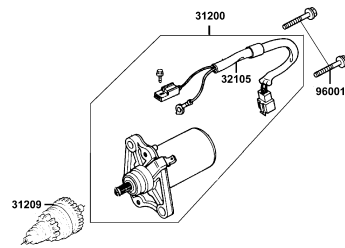
E02 CYLINDER



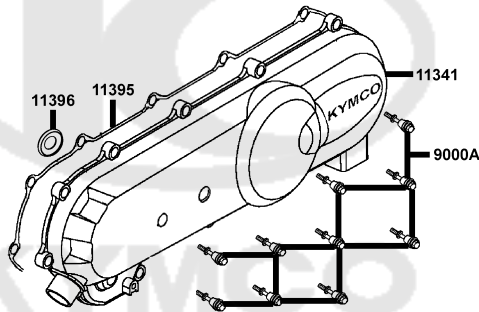
E03 Fan Cover Generator



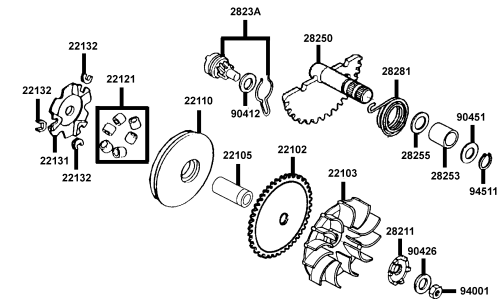
E04 MOTOR ASS'Y START



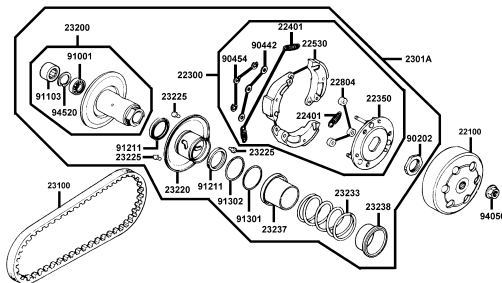
E05 Left Crankcase Cover



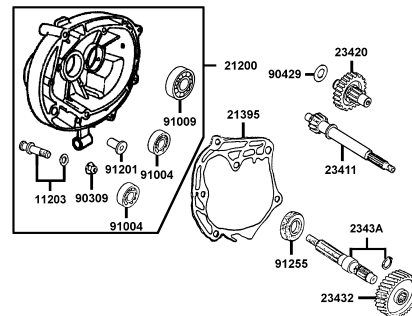
E06 Ratchet Kick Starer



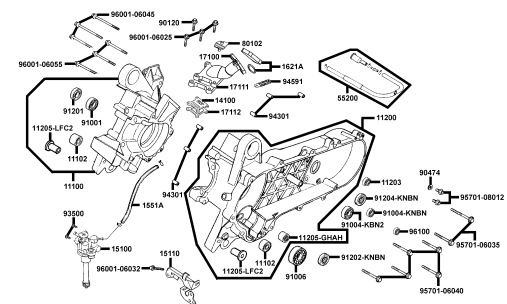
E07 Pulley Sub Assy



E08 Transmission

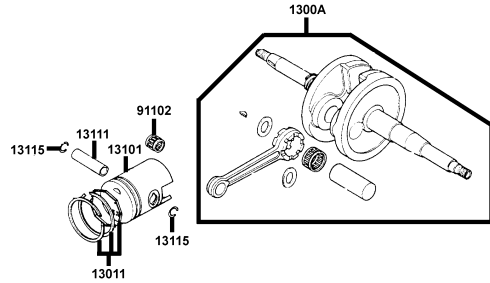


E09 Crankcase

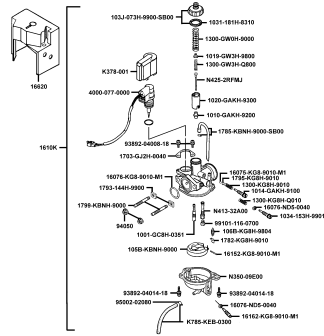


CONTENTS - ENGINE GROUP

E10 Crankshaft PistonRing Assy

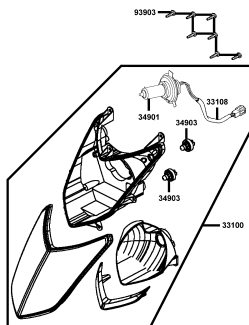


E11 Carburetor

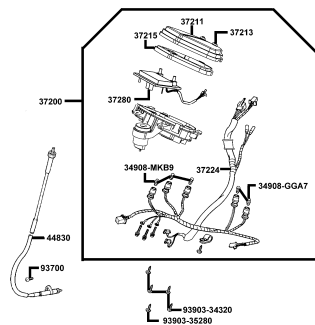


CONTENTS - FRAME GROUP

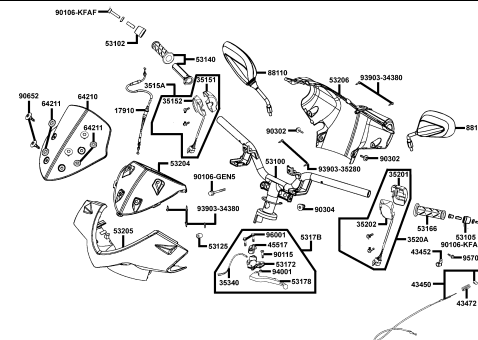
F01 Head Light



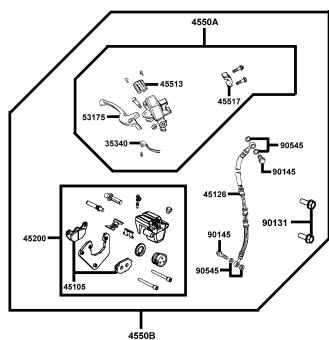
F02 Speedometer



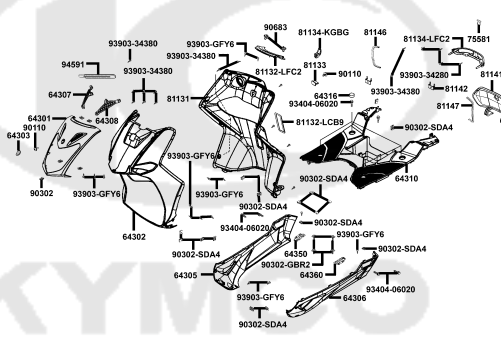
F03 Handle Steering Handle Cover



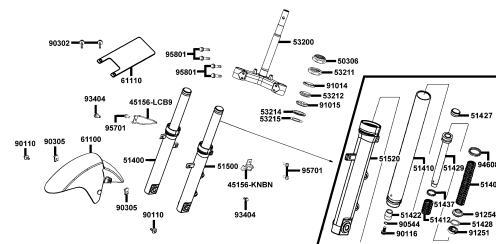
F04 Brake Master Cylinder



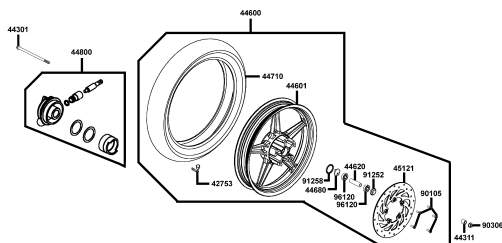
F05 Front Cover Front Fender



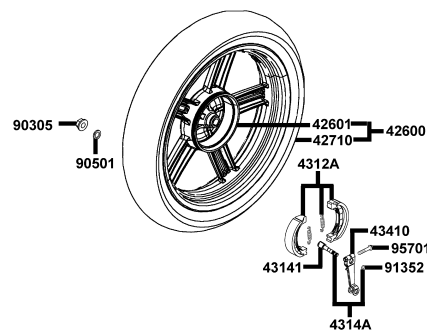
F06 Stem Steering Front Cushion



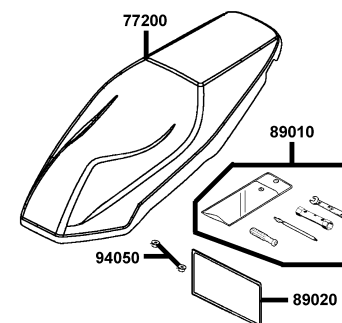
F07 Front Wheel



F08 Rear Wheel

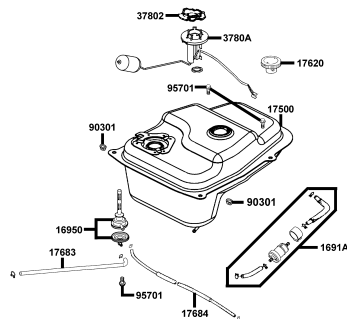


F09 Seat

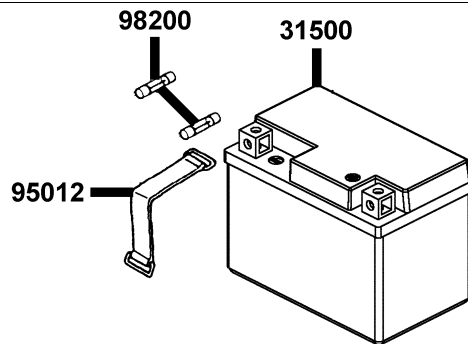


CONTENTS - FRAME GROUP

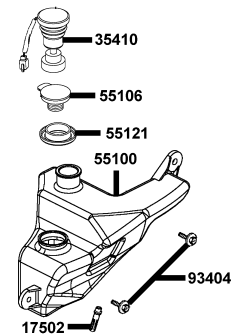
F10 Fuel Tank



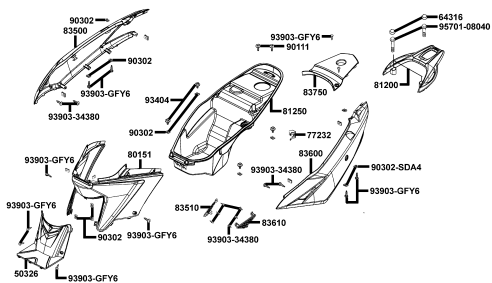
F11 Battery



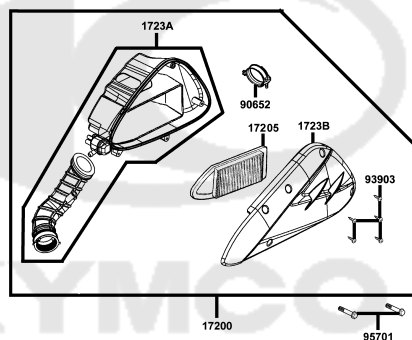
F12 Tank Oil



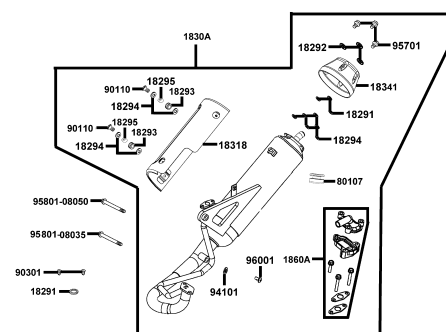
F13 Cover Body Cover Center



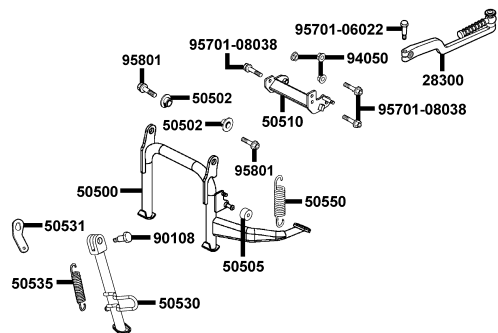
F14 Air Cleaner



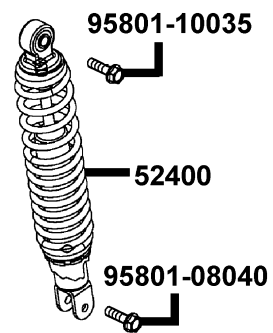
F15 Exhaust Muffler



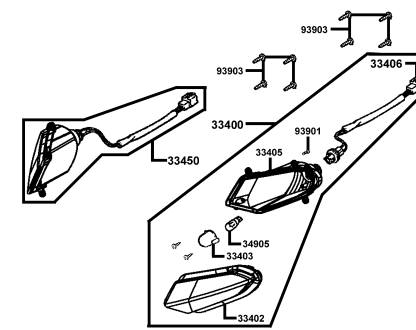
F16 Stand Kick Starter Arm



F17 Rear Cushion

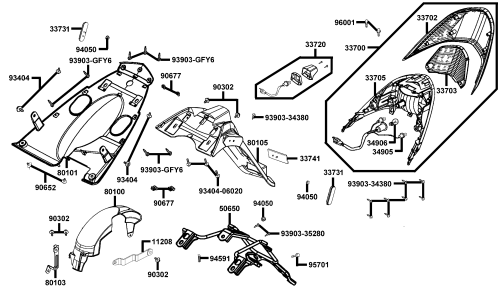


F18 Front Winker

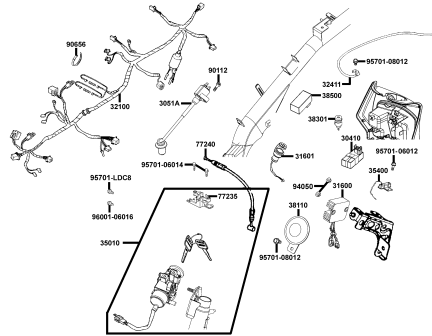


CONTENTS - FRAME GROUP

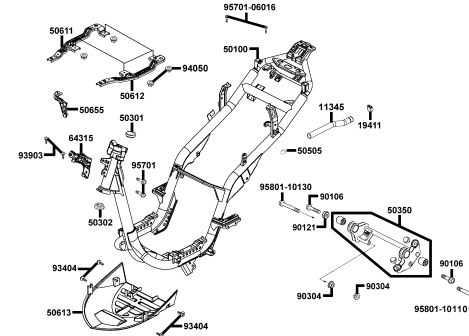
F19 Tail Light



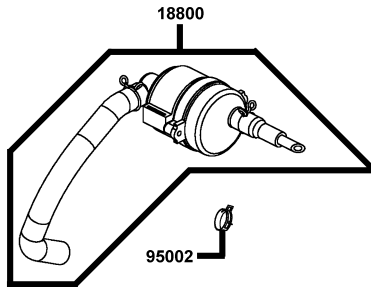
F20 Wire Harness



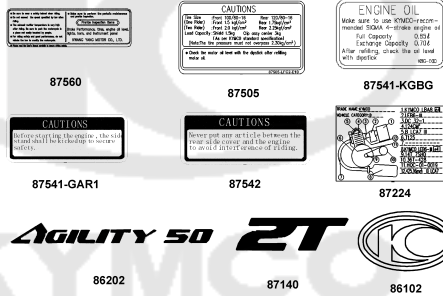
F21 Frame Body



F22 Air Cleaner Two

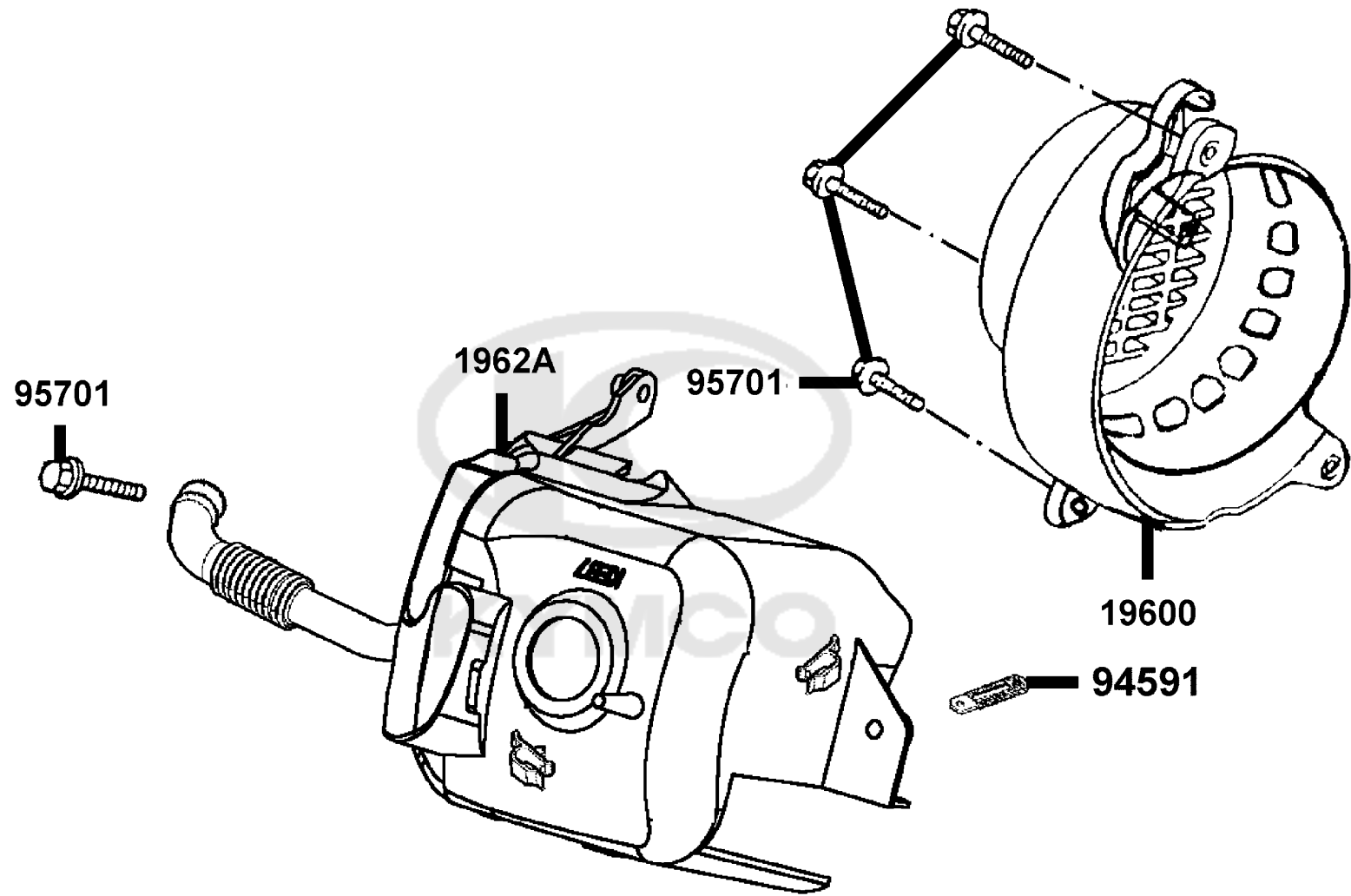


F23 Emblem Stripe



E01

COVER COMP FAN

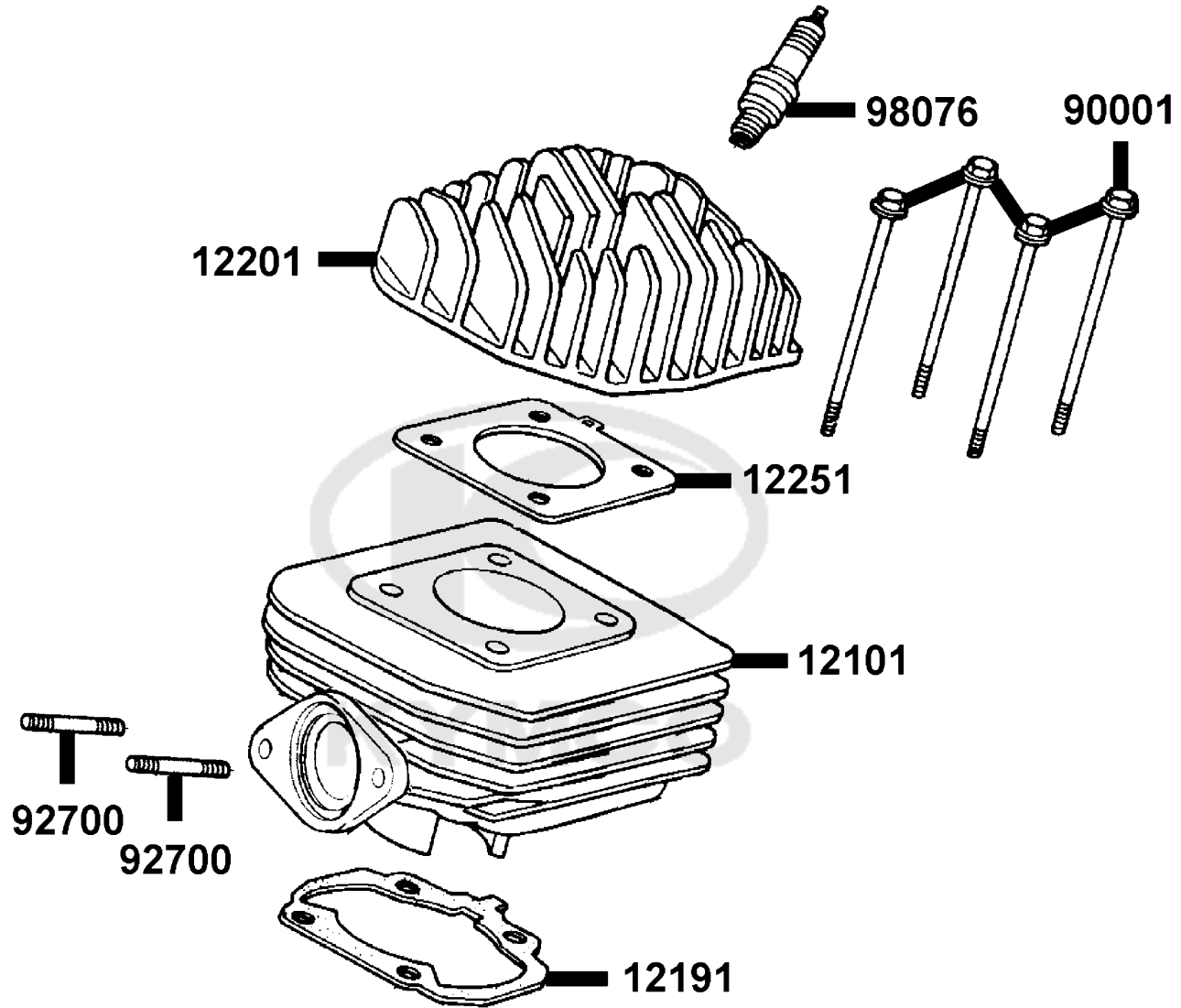


Sales mark	Ref no	Part no	Description	Reg description	Regd no	E01
19600		19600-KEB7-C00	COVER COMP FAN	COVER COMP FAN	1	
1962A		1962A-KEB7-C10	CLIP SET SHROUD	CLIP SET SHROUD	1	
94591		94591-KFBF-C00	CLIP 2*70	CLIP 2*70	1	
95701		95701-06025-08	BOLT FLANGE 6*25	BOLT FLANGE 6*25	4	



E02

CYLINDER

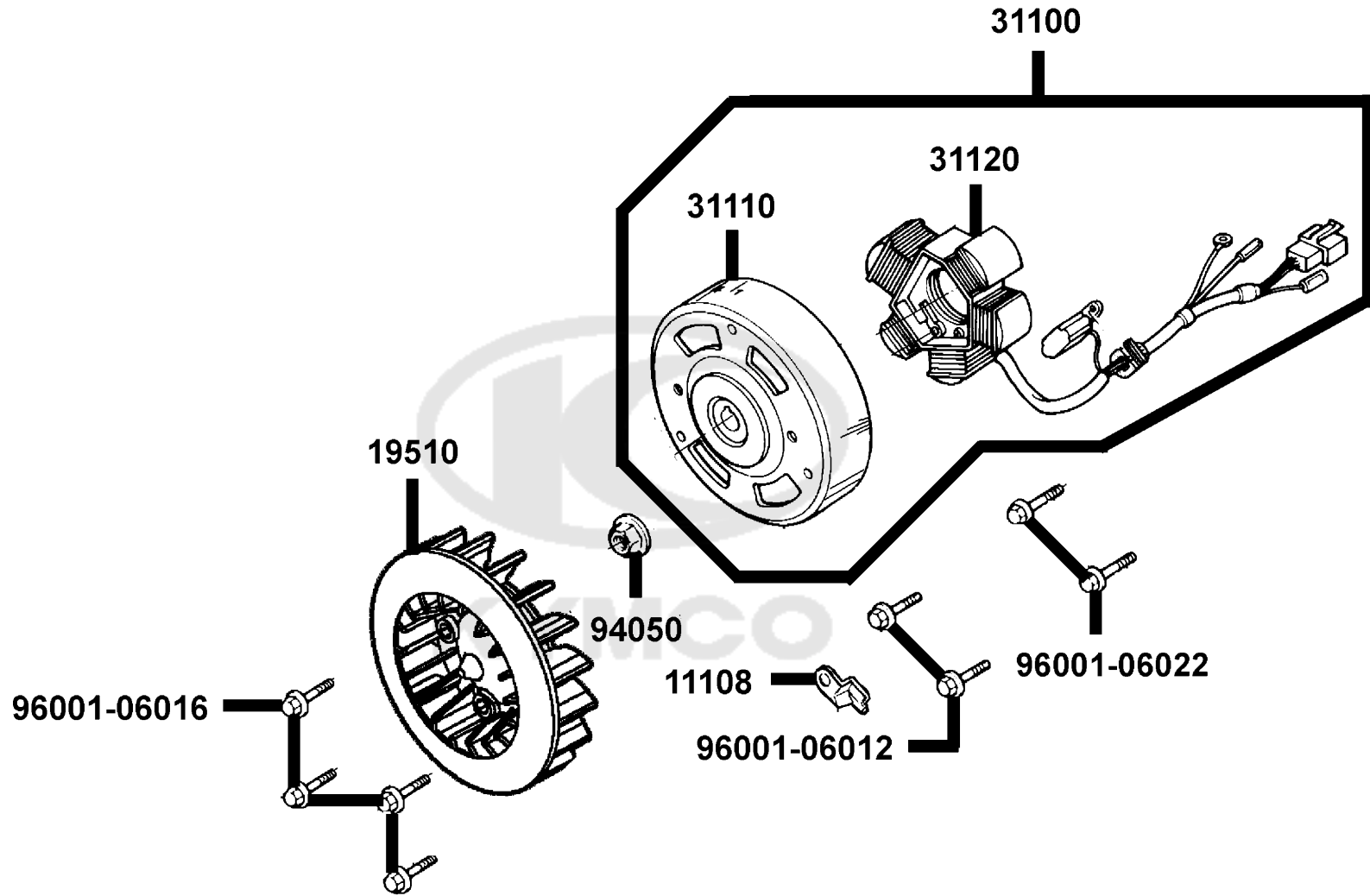


Sales mark	Ref no	Part no	Description	Reg description	Regd no	E02
12101		12101-KEB7-C00	CYLINDER	CYLINDER	1	
12191		12191-KEB7-C00	GASKET CYLINDER @A	GASKET CYLINDER @A	1	
12201		12201-KEB7-C00	HEAD CYLINDER	HEAD CYLINDER	1	
12251		12251-KEB7-C00	GASKET CYLINDER HEAD	GASKET CYLINDER HEAD	1	
90001		90001-GKAK-C00	BOLT FLANGE 7*100	BOLT FLANGE 7*100	1	
92700		92700-06028-1B	BOLT STUD 6*28	BOLT STUD 6*28	2	
98076		98076-5871G-00	SPARK PLUG (BR8HSA)	SPARK PLUG (BR8HSA)	1	

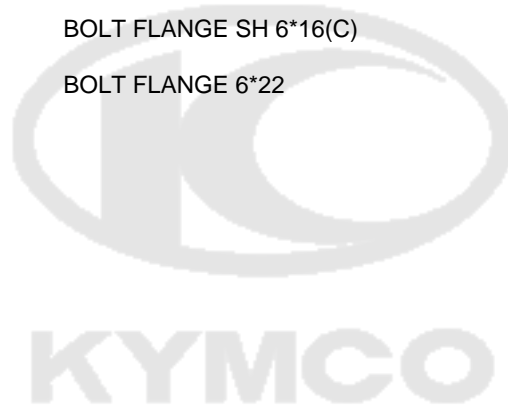


E03

Fan Cover Generator

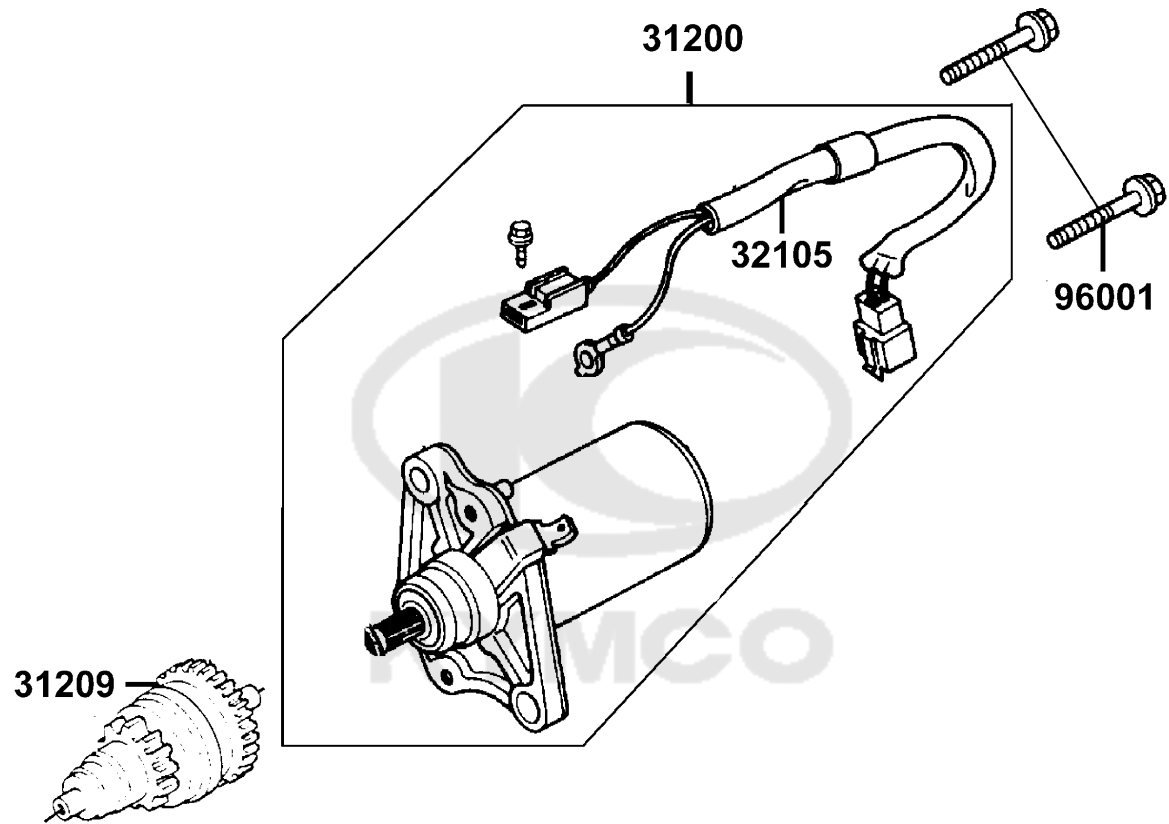


Sales mark	Ref no	Part no	Description	Reg description	Regd no	E03
11108		11108-KEB7-C00	HOLDER STATOR WIRE	HOLDER STATOR WIRE	1	
19510		19510-GBW2-C00	FAN COMP COOLING	FAN COMP COOLING	1	
31100		31100-LHB3-E10	AC GEN ASSY	AC GEN ASSY	1	
31110		31110-KEB7-90A	FLYWHEEL COMP	FLYWHEEL COMP	1	
31120		31120-LHB3-E10	STATOR COMP	STATOR COMP	1	
94050		94050-10080	NUT HEX 10MM	NUT HEX 10MM	1	
96001-06012		96001-06012-08	BOLT FLANGE 6*12	BOLT FLANGE 6*12	2	
96001-06016		96001-06016-08	BOLT FLANGE SH 6*16(C)	BOLT FLANGE SH 6*16(C)	4	
96001-06022		96001-06022-08	BOLT FLANGE 6*22	BOLT FLANGE 6*22	2	



E04

MOTOR ASS'Y START

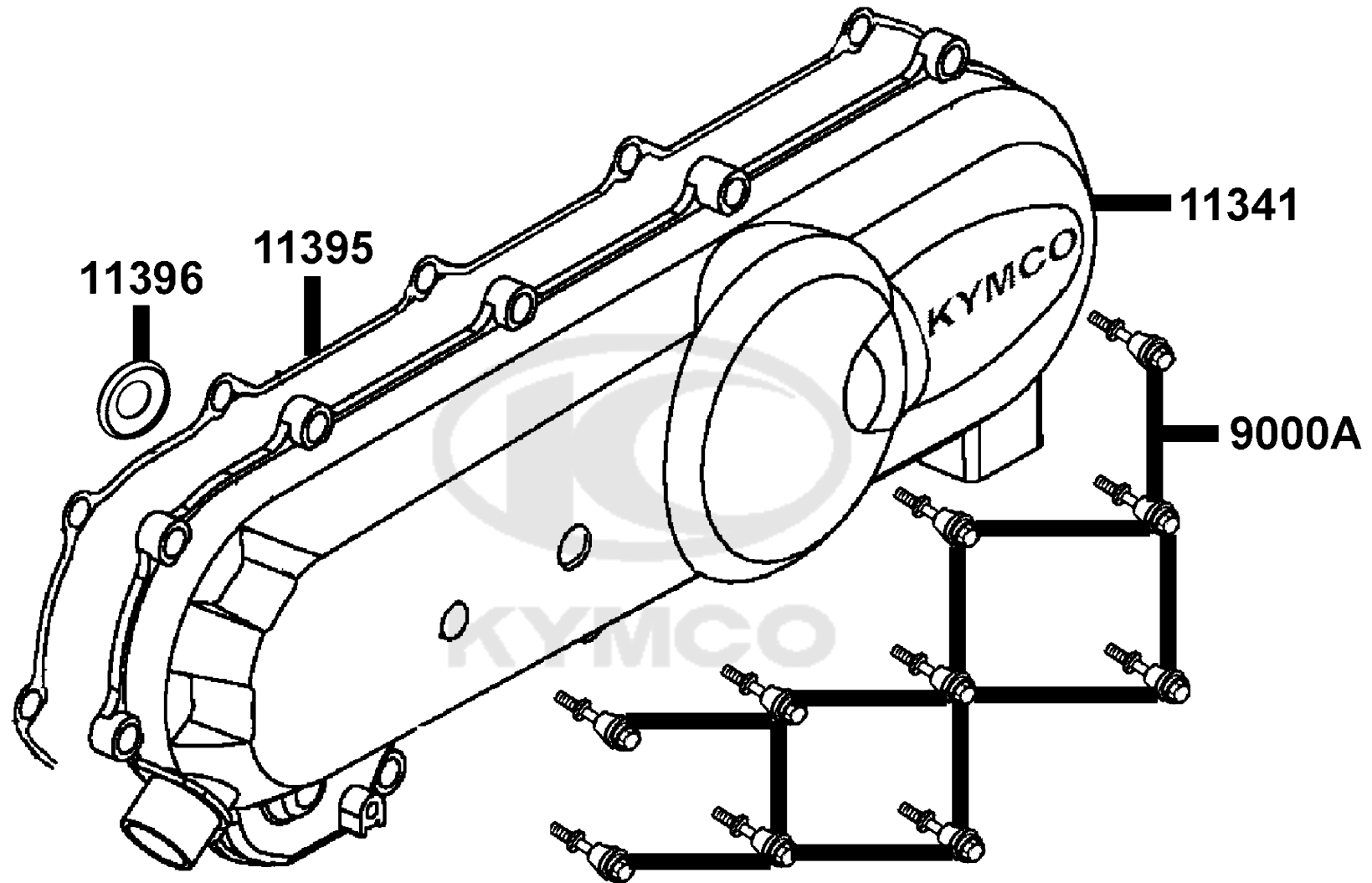


Sales mark	Ref no	Part no	Description	Reg description	Regd no	E04
31200		31200-LHM9-E10	MOTOR ASSY STARTER	MOTOR ASSY STARTER	1	
31209		31209-GKAK-C00	PINION ASSY STARTER	PINION ASSY STARTER	1	
32105		32105-LHB3-E10	SUB HARNESS	SUB HARNESS	1	
96001		96001-06025-08	BOLT FLANGE SH 6*25 (C)	BOLT FLANGE SH 6*25 (C)	2	



E05

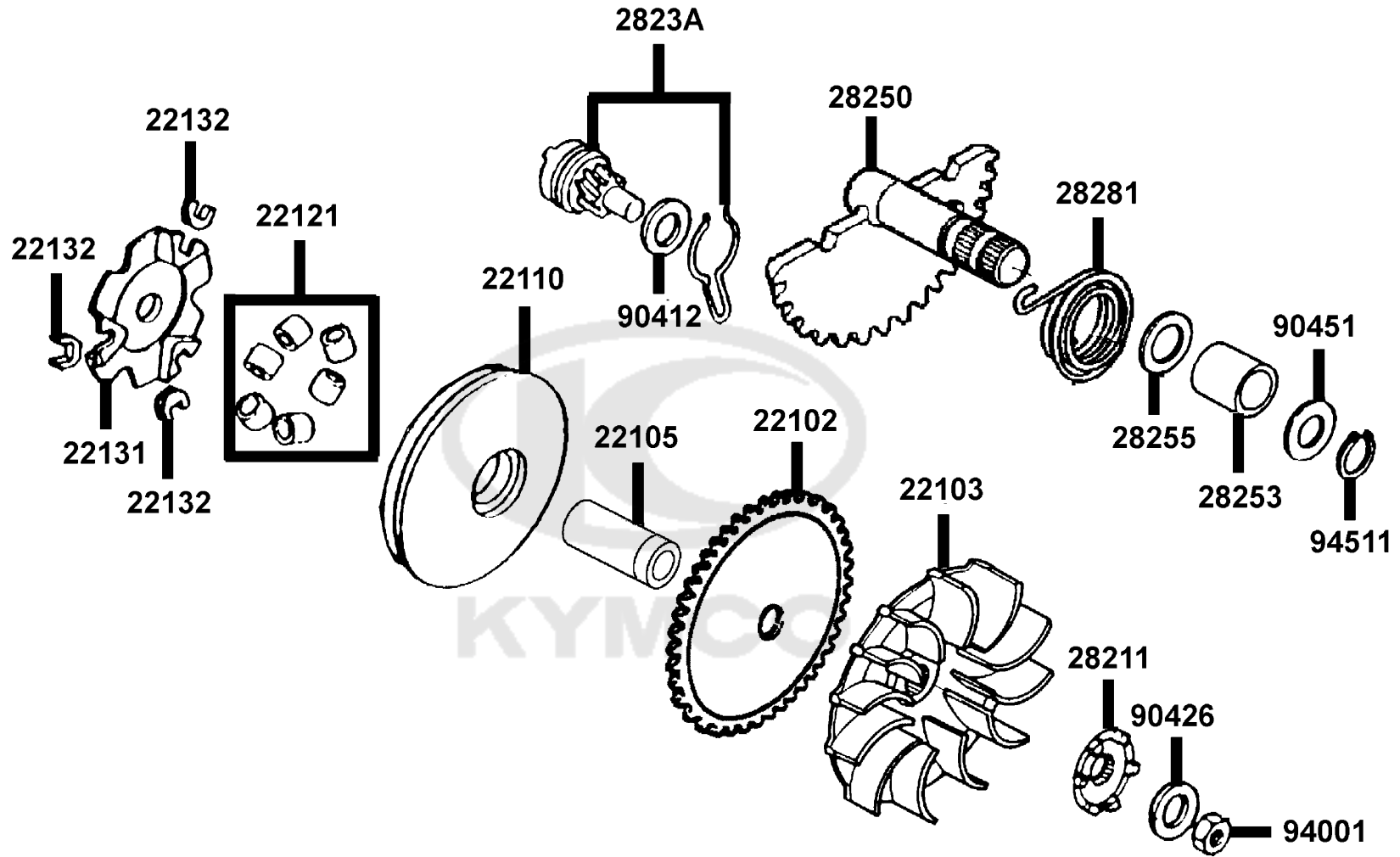
Left Crankcase Cover



Sales mark	Ref no	Part no	Description	Reg description	Regd no	E05
------------	--------	---------	-------------	-----------------	---------	------------

11395		11395-KFA6-C00	GASKET L COVER	GASKET L COVER	1	
11396		11396-KFA6-C00	GASKET L COVER	GASKET L COVER	1	
9000A		9000A-KTDT-C00	BOLT ASSY SPECIAL 6*29.5	BOLT ASSY SPECIAL 6*29.5	1	

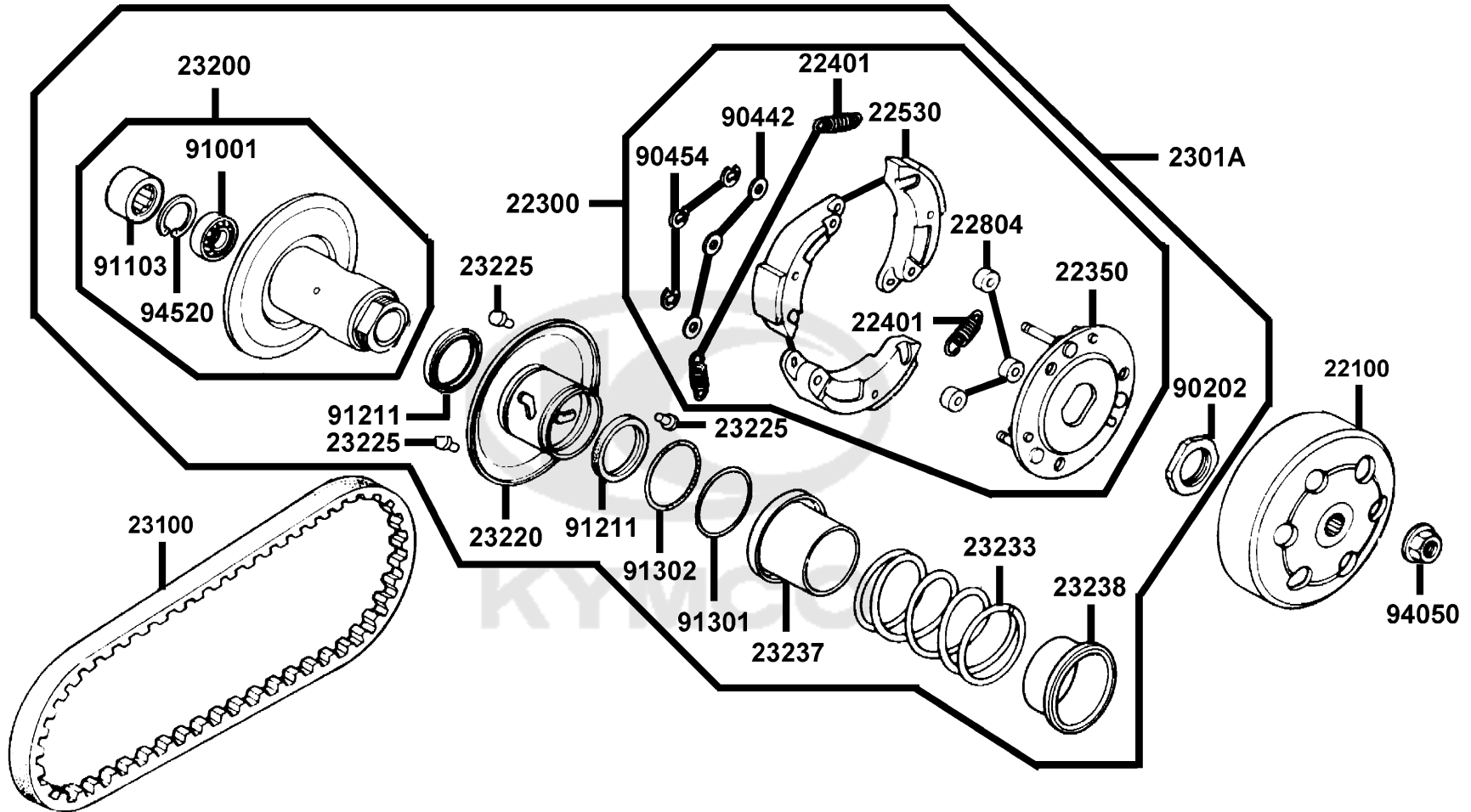




Sales mark	Ref no	Part no	Description	Reg description	Regd no	E06
22102		22102-KEB7-C00	FACE DRIVE	FACE DRIVE	1	
22103		22103-KEB7-C00	FAN CVT COOLING	FAN CVT COOLING	1	
22105		22105-KEB7-C00	BOSS DRIVE FACE	BOSS DRIVE FACE	1	
22110		22110-LDC8-E10	FACE COMP MOVABLE DRIVE	FACE COMP MOVABLE DRIVE	1	
22121		22121-GLW0-C00	ROLLER COMP WEIGHT 8.5 gr	ROLLER COMP WEIGHT 8.5 gr	1	
22131		22131-GHAH-C00	PLATE RAMP	PLATE RAMP	1	
22132		22132-GLW0-C00	PIECE SLIDE	PIECE SLIDE	1	
28211		28211-KEB7-W10	RATCHET KICK STARTER	RATCHET KICK STARTER	1	
2823A		2823A-GKAK-W10	GEAR ASSY KICK DRIVEN	GEAR ASSY KICK DRIVEN	1	
28250		28250-KCCC-C00	SPINDLE COMP KICK STARTER	SPINDLE COMP KICK STARTER	1	
28253		28253-GBN2-C00	BUSH KICK SPDL	BUSH KICK SPDL	1	
28255		28255-GFS6-C00	COLLAR KICK BOSS	COLLAR KICK BOSS	1	
28281		28281-GBN2-60A	SPRING KICK RETURN	SPRING KICK RETURN	1	
90412		90412-3K29-C00	WASHER THRUST 10M/M	WASHER THRUST 10M/M	1	
90426		90426-KNBN-C00	WASHER SPECIAL 12MM	WASHER SPECIAL 12MM	1	
90451		90451-GBN2-C00	WASHER KICK SPINDLE	WASHER KICK SPINDLE	1	
94001		94001-12280-0S	NUT HEX 12MM (C)	NUT HEX 12MM (C)	1	
94511		94511-14000	CIR CLIP EX 14	CIR CLIP EX 14	1	

E07

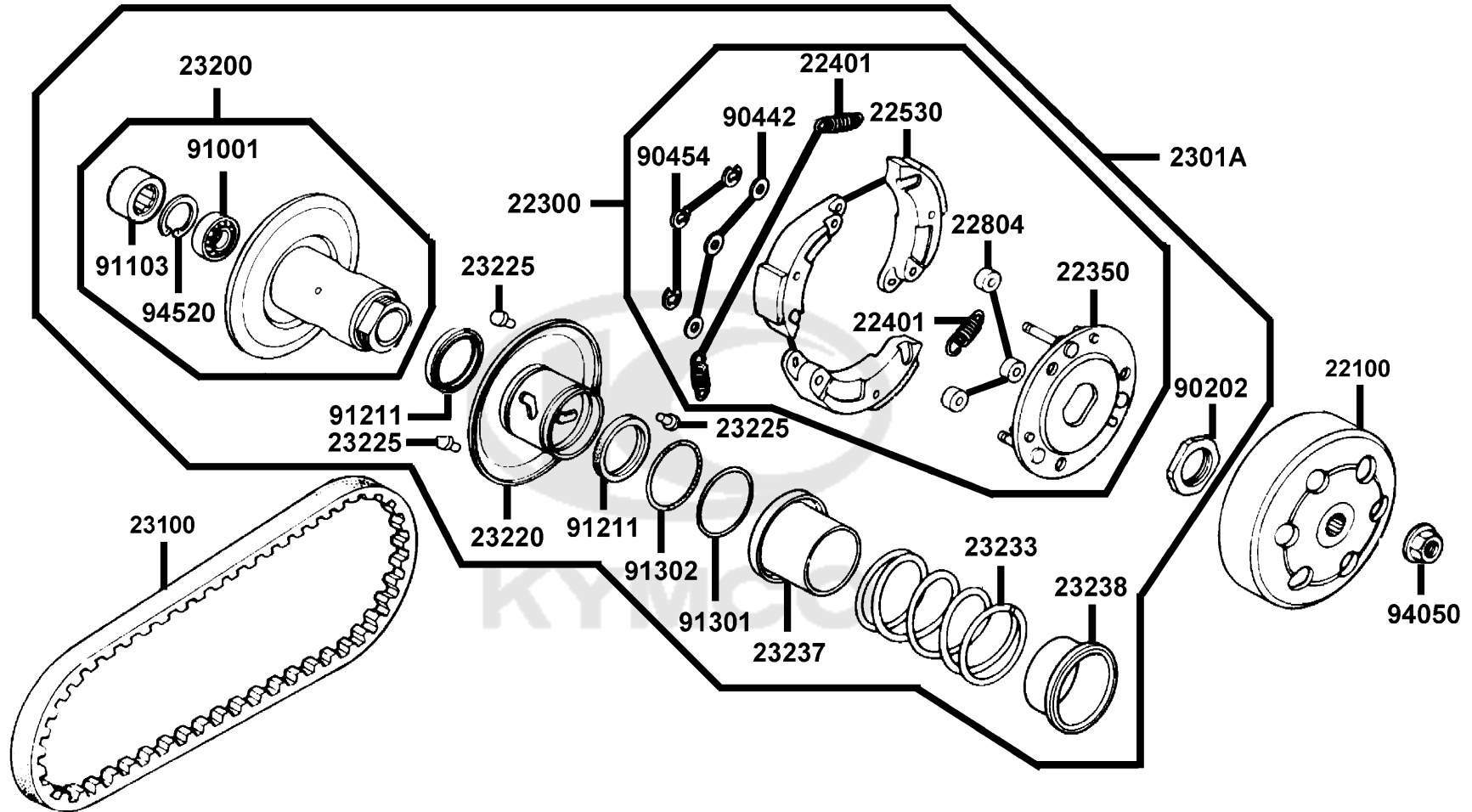
Pulley Sub Assy



Sales mark	Ref no	Part no	Description	Reg description	Regd no	E07
	22100	22100-GAR1-751	CLUTCH OUTER	CLUTCH OUTER	1	
	22300	22300-KXCX-900	PLATE ASSY DRIVE	PLATE ASSY DRIVE	1	
	22350	22350-GKAK-C00	PLATE COMP DRIVE	PLATE COMP DRIVE	1	
	22401	22401-GBG2-C00	SPRING CLUTCH	SPRING CLUTCH	1	
	22530	22530-GKAK-C00	WEIGHT CLUTCH	WEIGHT CLUTCH	1	
	22804	22804-1H48-C00	RUBBER CLUTCH DUMPER	RUBBER CLUTCH DUMPER	1	
	2301A	2301A-KEB7-C00	PULLEY SUB ASSY	PULLEY SUB ASSY	1	
	23100	23100-KEB7-C00	BELT DRIVE	BELT DRIVE	1	
	23200	23200-GAR1-C00	FACE ASSY?A DRIVEN	FACE ASSY?A DRIVEN	1	
	23220	23220-GKAK-C00	FACE COMP DRIVEN H1	FACE COMP DRIVEN H1	1	
	23225	23225-GAR1-C00	PIN GUIDE	PIN GUIDE	1	
	23233	23233-GHE8-001	SPG DRIVEN FACE	SPG DRIVEN FACE	1	
	23237	23237-GAR1-C00	COLLAR SEAL	COLLAR SEAL	1	
	23238	23238-GGS7-C00	COLLAR SPG	COLLAR SPG	1	
	90202	90202-1G87-C00	NUT SPECIAL 28MM	NUT SPECIAL 28MM	1	
	90442	90442-0D44-C00	WASHER THRUST 6M/M	WASHER THRUST 6M/M	1	
	90454	90454-GBB2-C00	CIR CLIP 6MM	CIR CLIP 6MM	1	
	91001	91001-GGA7-C00	BRG RADIAL BALL 6901U	BRG RADIAL BALL 6901U	1	
	91103	91103-GAR1-C00	BRG NEEDLE 17x25x18 WS	BRG NEEDLE 17x25x18 WS	1	
	91211	91211-GHK8-C00	OIL SEAL 34*39*3	OIL SEAL 34*39*3	1	

E07

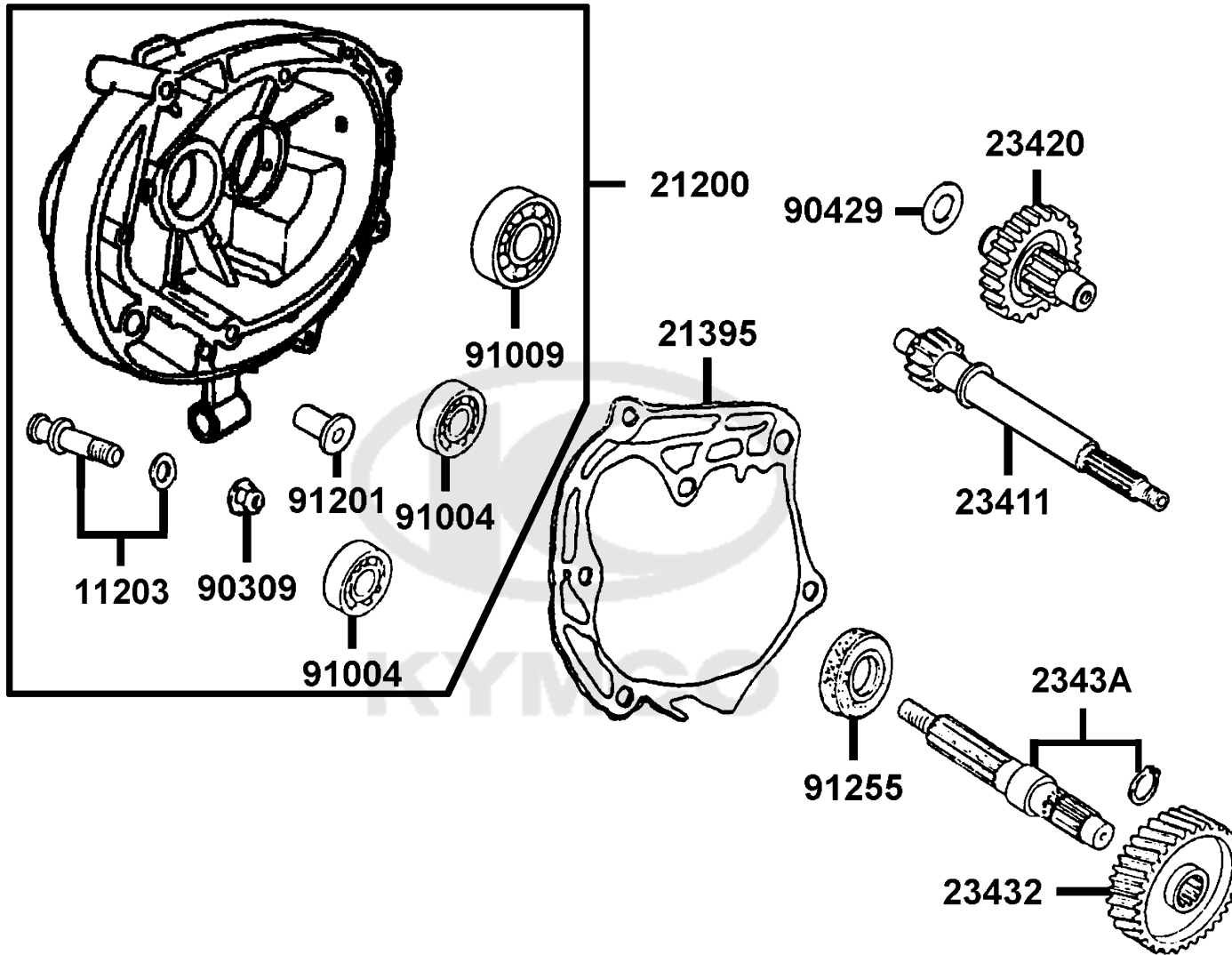
Pulley Sub Assy



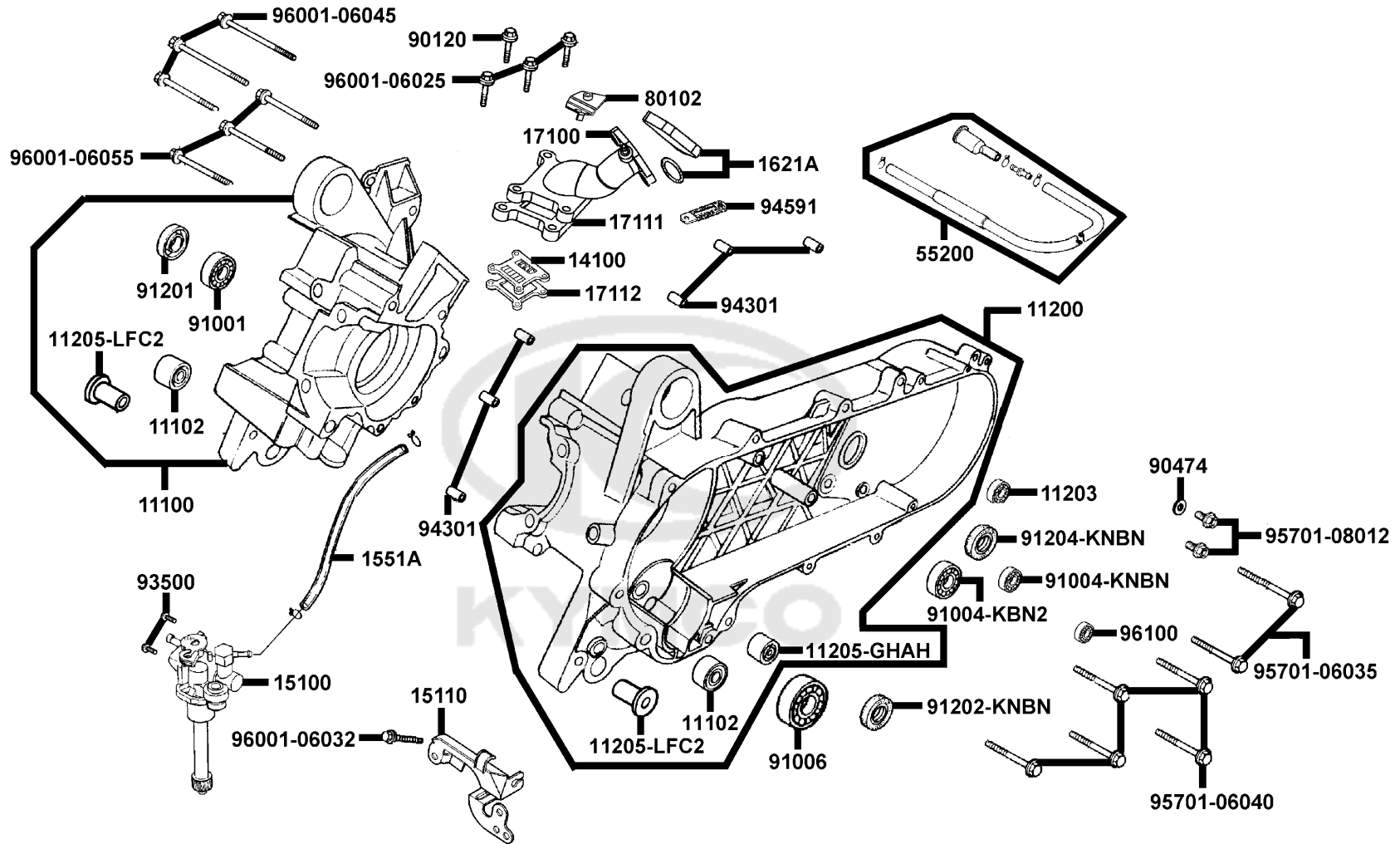
Sales mark	Ref no	Part no	Description	Reg description	Regd no	E07
------------	--------	---------	-------------	-----------------	---------	------------

91301		91301-KEA5-742	O-RING 36*1.5	O-RING 36*1.5	1	
91302		91302-PKA9-C00	O-RING 39.8*2.2	O-RING 39.8*2.2	1	
94050		94050-10080	NUT HEX 10MM	NUT HEX 10MM	1	
94520		94520-24000	CIR CLIP IN 24	CIR CLIP IN 24	1	

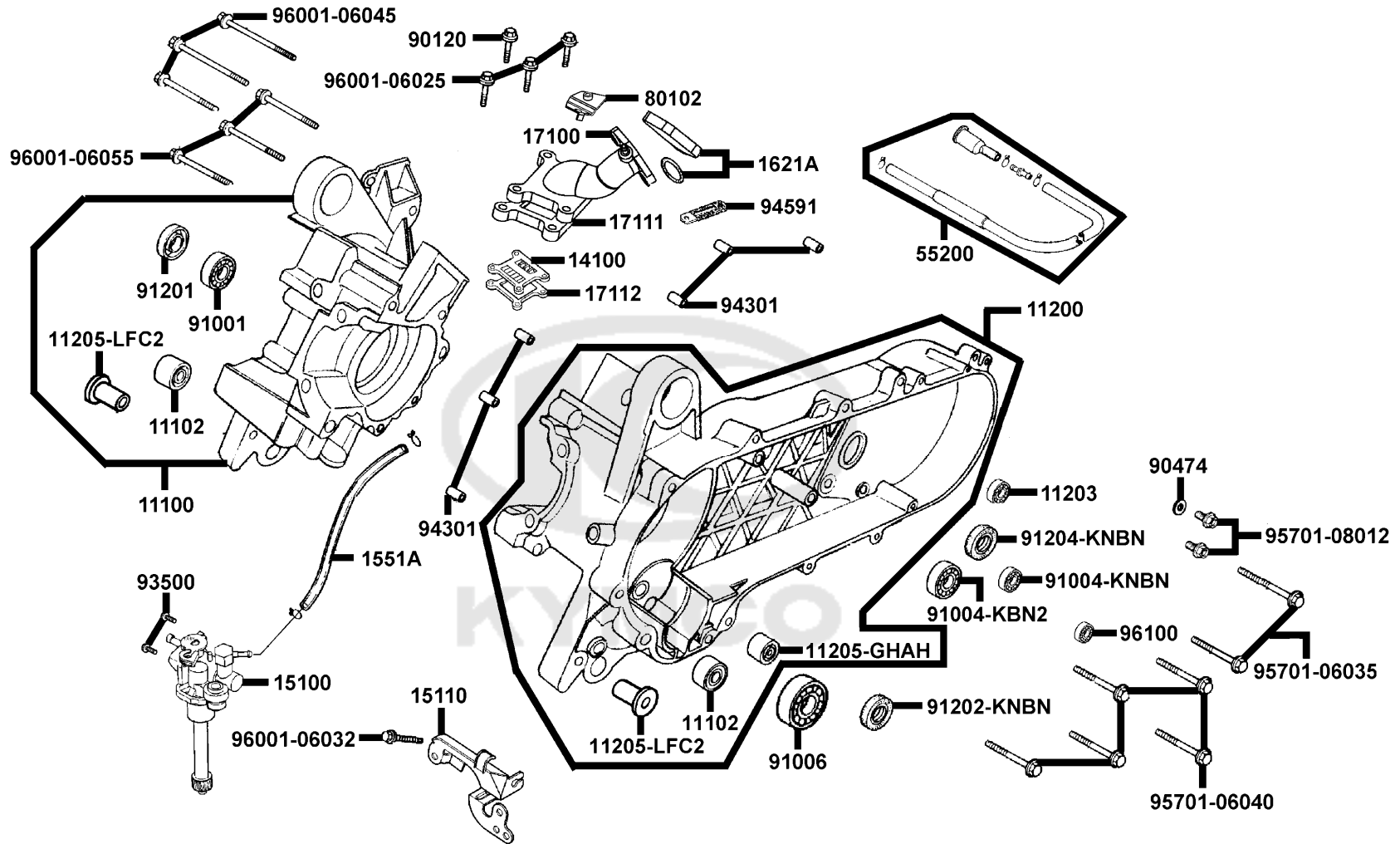




Sales mark	Ref no	Part no	Description	Reg description	Regd no	E08
11203		11203-KUDU-C00	PIN BRAKE SHOE ANCHOR	PIN BRAKE SHOE ANCHOR	1	
21200		21200-KFA6-900	CASE COMP MISSION	CASE COMP MISSION	1	
21395		21395-KFA6-C00	GASKET MISSION CASE @A	GASKET MISSION CASE @A	1	
23411		23411-KFA6-C00	SHAFT DRIVE	SHAFT DRIVE	1	
23420		23420-KFA6-C00	SHAFT COMP COUNTER	SHAFT COMP COUNTER	1	
23432		23432-KFA6-C00	GEAR FINAL	GEAR FINAL	1	
2343A		2343A-KNBN-C00	SHAFT ASSY. FINAL	SHAFT ASSY. FINAL	1	
90309		90309-KLF0-C00	NUT FLANGE 8MM	NUT FLANGE 8MM	1	
90429		90429-KNBN-C00	WASHER SIDE 12MM	WASHER SIDE 12MM	1	
91004		91004-KBN2-C00	BRG BALL RADIAL 6201	BRG BALL RADIAL 6201	1	
91009		91009-GLE0-C00	BRG BALL RADIAL 6004 UU	BRG BALL RADIAL 6004 UU	1	
91201		91201-KED1-C00	BUSH MISSION	BUSH MISSION	1	
91255		91255-GLE0-C00	OIL SEAL 27*42*7	OIL SEAL 27*42*7	1	



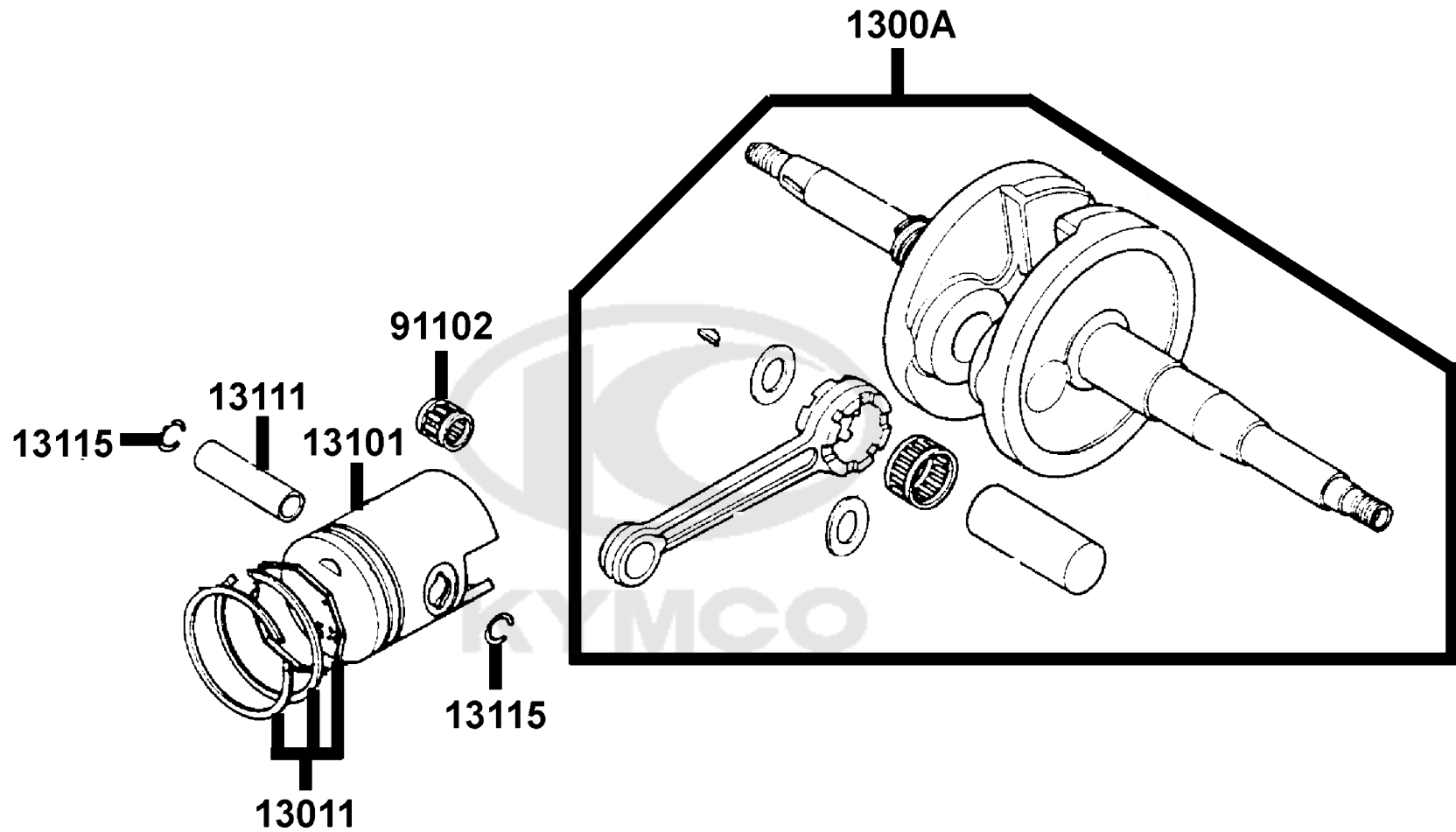
Sales mark	Ref no	Part no	Description	Reg description	Regd no	E09
11100		11100-LKD1-E10	CRANK CASE COMP RIGHT	CRANK CASE COMP RIGHT	1	
11102		11102-1G87-C00	RUBBER BUSH ENGINE HANGER	RUBBER BUSH ENGINE HANGER	1	
11200		11200-LKD1-E10	CRANK CASE COMP LEFT	CRANK CASE COMP LEFT	1	
11203		11203-GGC7-W10	UNDER RUBBER BUSH RR CUSHION	UNDER RUBBER BUSH RR CUSHION	1	
11205-GHAH		11205-GHAH-C00	BUSH 8*12*8	BUSH 8*12*8	1	
11205-LFC2		11205-LFC2-E10	BUSH MAIN STAND	BUSH MAIN STAND	2	
14100		14100-KEB7-C00	VALVE COMP REED	VALVE COMP REED	1	
15100		15100-KEB7-E00	OIL PUMP ASSY	OIL PUMP ASSY	1	
15110		15110-KEB7-C00	PLATE OIL PUMP SET	PLATE OIL PUMP SET	1	
1551A		1551A-LCD1-C00	TUBE ASSY OIL PUMP ASSY	TUBE ASSY OIL PUMP ASSY	1	
1621A		1621A-GKAK-C00	INSULATOR CARB ASSY	INSULATOR CARB ASSY	1	
17100		17100-KEB7-901	PIPE COMP INLET	PIPE COMP INLET	1	
17111		17111-KEB7-C00	GASKET INLET PIPE A @A	GASKET INLET PIPE A @A	1	
17112		17112-KEB7-C00	GASKET INLET PIPE B @A	GASKET INLET PIPE B @A	1	
55200		55200-LCD1-C00	TUBE ASSY OIL	TUBE ASSY OIL	1	
80102		80102-LCD1-C00	STAY A RR TIRE FENDER	STAY A RR TIRE FENDER	1	
90120		90120-GAR1-J00	SOCKET BOLT SPECIAL 6*28	SOCKET BOLT SPECIAL 6*28	1	
90474		90474-3C33-C00	WASHER 8MM (T*2)	WASHER 8MM (T*2)	1	
91001		91001-GLW0-C00	BRG BALL RADIAL6204	BRG BALL RADIAL6204	1	
91004-KBN2		91004-KBN2-C00	BRG BALL RADIAL 6201	BRG BALL RADIAL 6201	1	



Sales mark	Ref no	Part no	Description	Reg description	Regd no	E09
	91004-KNBN	91004-KNBN-C00	BRG BALL RADIAL 6203 SPC	BRG BALL RADIAL 6203 SPC	1	
	91006	91006-KNBN-C00	BRG BALL RADIAL25*56*12	BRG BALL RADIAL25*56*12	1	
	91201	91201-KNBN-C00	OIL SEAL 15.6*25.5*7	OIL SEAL 15.6*25.5*7	1	
	91202	91202-KNBN-92A	OIL SEAL 20*31*7	OIL SEAL 20*31*7	1	
	91204	91204-KNBN-C00	OIL SEAL 17*30*6	OIL SEAL 17*30*6	1	
	93500	93500-05012-0H	BOLT M5*12(C)	BOLT M5*12(C)	2	
	94301	94301-10200	DOWEL PIN 10*20	DOWEL PIN 10*20	6	
	94591	94591-KFBF-C00	CLIP 2*70	CLIP 2*70	1	
	95701-06035	95701-06035-08	BOLT FLANGE 6*35 (C)	BOLT FLANGE 6*35 (C)	2	
	95701-06040	95701-06040-08	BOLT FLANGE 6*40 (C)	BOLT FLANGE 6*40 (C)	5	
	95701-08012	95701-08012-08	BOLT FLANGE 8*12 (C)	BOLT FLANGE 8*12 (C)	2	
	96001-06025	96001-06025-08	BOLT FLANGE SH 6*25 (C)	BOLT FLANGE SH 6*25 (C)	3	
	96001-06032	96001-06032-08	BOLT FLANGE 6*32	BOLT FLANGE 6*32	1	
	96001-06045	96001-06045-08	BOLT FLANGE SH 6*45 (C)	BOLT FLANGE SH 6*45 (C)	3	
	96001-06055	96001-06055-08	BOLT FLANGE SH 6*55 (C)	BOLT FLANGE SH 6*55 (C)	3	
	96100	96100-62033-00	BEARING BALL RADIAL 6203	BEARING BALL RADIAL 6203	1	

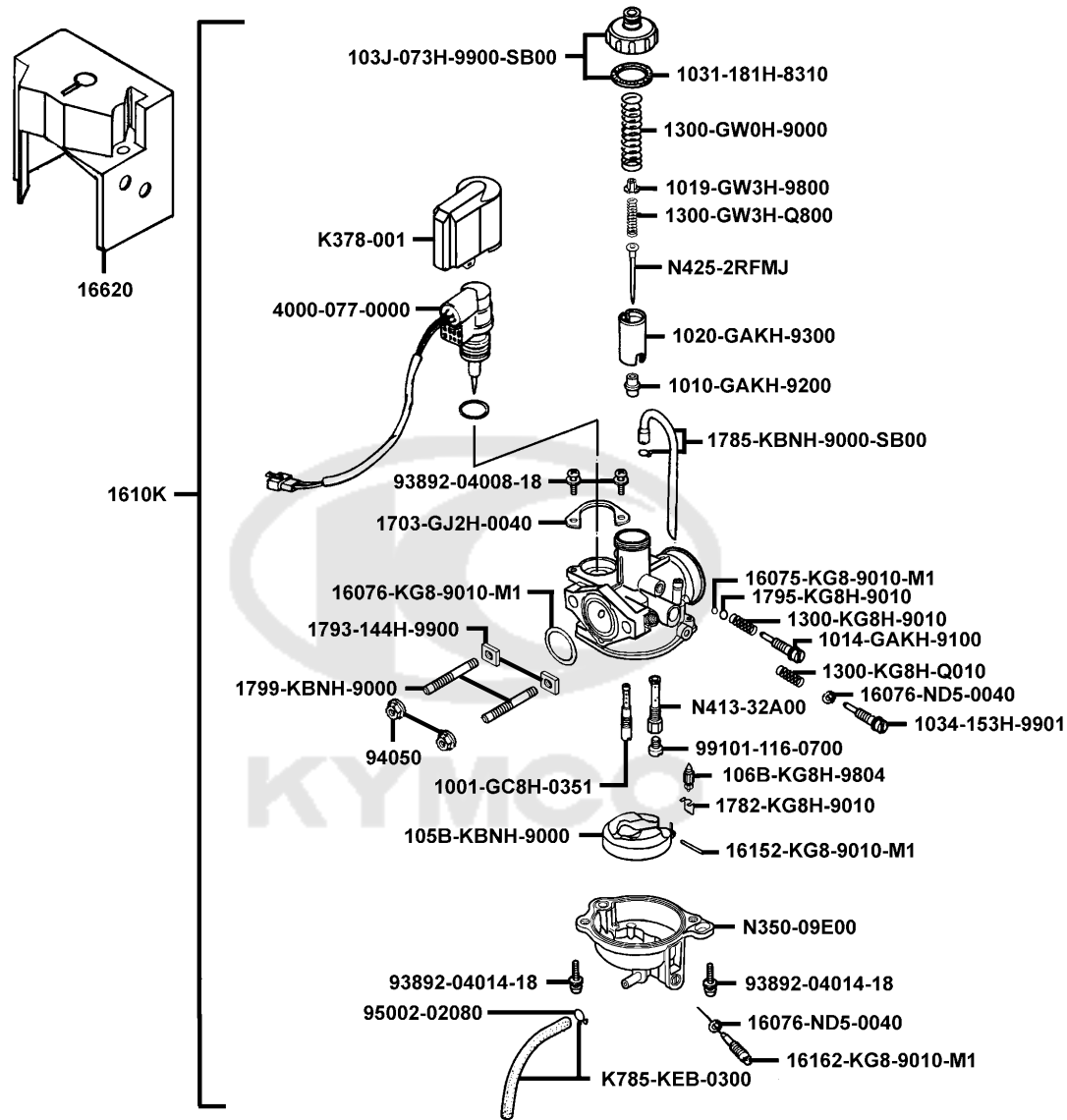
E10

Crankshaft PistonRing Assy Piston



Sales mark	Ref no	Part no	Description	Reg description	Regd no	E10
1300A	1300A-GKAK-C00	1300A-GKAK-C00	CRANK SHAFT ASSY	CRANK SHAFT ASSY	1	
13011	13011-GLW0-C00	13011-GLW0-C00	RING ASSY PISTON	RING ASSY PISTON	1	
13101	13101-GLW0-901	13101-GLW0-901	PISTON	PISTON	1	
13111	13111-1F66-C00	13111-1F66-C00	PIN PISTON	PIN PISTON	1	
13115	13115-1F56-C00	13115-1F56-C00	CLIP PISTON PIN 12MM	CLIP PISTON PIN 12MM	1	
91102	91102-GLW0-C00	91102-GLW0-C00	BRG CON-ROD S.E	BRG CON-ROD S.E	1	

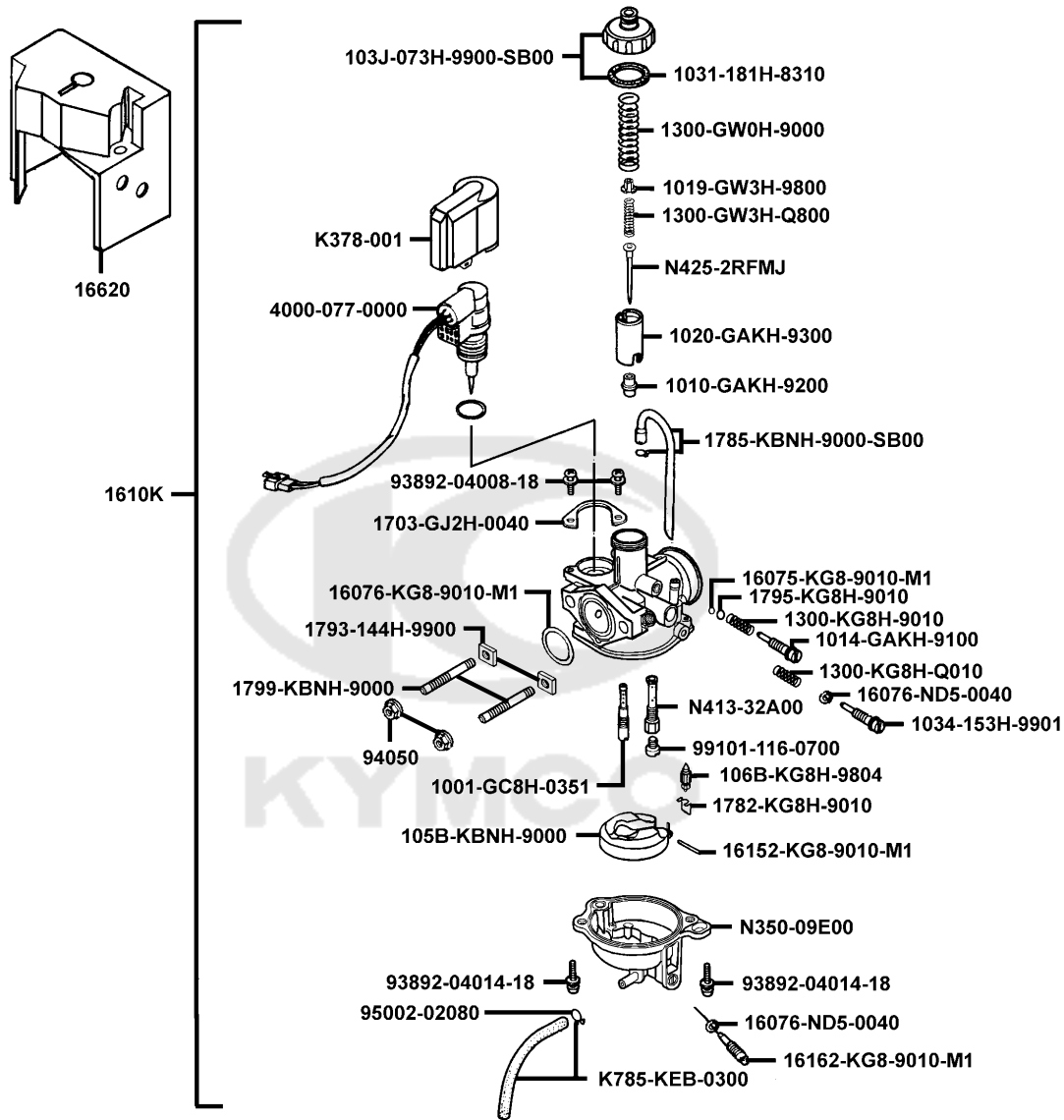




Sales mark	Ref no	Part no	Description	Reg description	Regd no	E11
1001		1001-GC8H-0351	SLOW JET	SLOW JET	1	
1010		1010-GAKH-9200	NEEDLE JET	NEEDLE JET	1	
1014		1014-GAKH-9100	ADJUST SCREW	ADJUST SCREW	1	
1019		1019-GW3H-9800	VALVE PLATE	VALVE PLATE	1	
1020		1020-GAKH-9300	THROTTLE VALVE	THROTTLE VALVE	1	
1031		1031-181H-8310	TOP GASKET	TOP GASKET	1	
1034		1034-153H-9901	STOP SCREW	STOP SCREW	1	
103J		103J-073H-9900-SB00	TOP SET	TOP SET	1	
105B		105B-KBNH-9000	FLOAT COMP	FLOAT COMP	1	
106B		106B-KG8H-9804	FLOAT VALVE COMP	FLOAT VALVE COMP	1	
1300-GW0H		1300-GW0H-9000	SPG COMPR	SPG COMPR	1	
1300-GW3H		1300-GW3H-Q800	SPG COMPR	SPG COMPR	1	
1300-KG8H-9010		1300-KG8H-9010	COMPR SPG	COMPR SPG	1	
1300-KG8H-Q010		1300-KG8H-Q010	COMPR SPG	COMPR SPG	1	
16075		16075-KG8-9010-M1	O RING	O RING	1	
16076-KG8		16076-KG8-9010-M1	O-RING	O-RING	1	
16076-ND5		16076-ND5-0040	O RING	O RING	2	
1610K		1610K-KFA6-E05	CARBURETOR ASSY	CARBURETOR ASSY	1	
16152		16152-KG8-9010-M1	ARM PIN	ARM PIN	1	
16162		16162-KG8-9010-M1	DRAIN SCREW PAN	DRAIN SCREW PAN	1	

E11

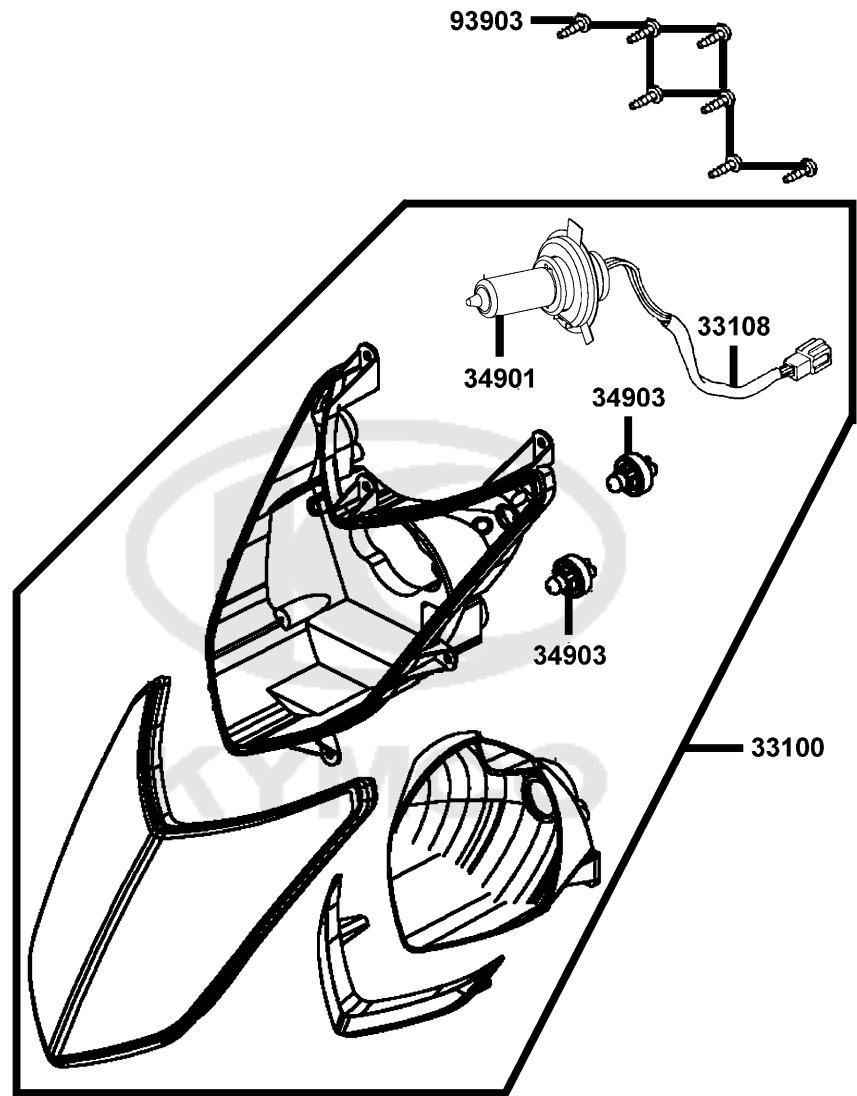
Carburetor



Sales mark	Ref no	Part no	Description	Reg description	Regd no	E11
16620		16620-KEB7-E00	CAP CARBURETOR	CAP CARBURETOR	1	
1703		1703-GJ2H-0040	SET PLATE	SET PLATE	1	
1782		1782-KG8H-9010	CLIP	CLIP	1	
1785		1785-KBNH-9000-SB00	TUBE SET (A.V)	TUBE SET (A.V)	1	
1793		1793-144H-9900	HEX NUT	HEX NUT	2	
1795		1795-KG8H-9010	WASHER PLAIN	WASHER PLAIN	1	
1799		1799-KBNH-9000	STUD BOLT	STUD BOLT	2	
4000		4000-077-0000	AUTO BYSTARTER SET	AUTO BYSTARTER SET	1	
93892-04008		93892-04008-18	SCREW WASHER	SCREW WASHER	2	
93892-04014		93892-04014-18	SCREW WASHER	SCREW WASHER	2	
94050		94050-06080	NUT FLANG 6MM	NUT FLANG 6MM	2	
95002		95002-02080	CLIP B8 TUBE	CLIP B8 TUBE	1	
99101		99101-116-0700	MAIN JET	MAIN JET	1	
K378		K378-001	CAP ASSY	CAP ASSY	1	
K785		K785-KEB-0300	TUBE SET (DRAIN)	TUBE SET (DRAIN)	1	
N350		N350-09E00	FLOAT CHAMBER COMP	FLOAT CHAMBER COMP	1	
N413		N413-32A00	NEEDLE JET HOLDER	NEEDLE JET HOLDER	1	
N425		N425-2RFMJ	JET NEEDLE COMP	JET NEEDLE COMP	1	

F01

Head Light



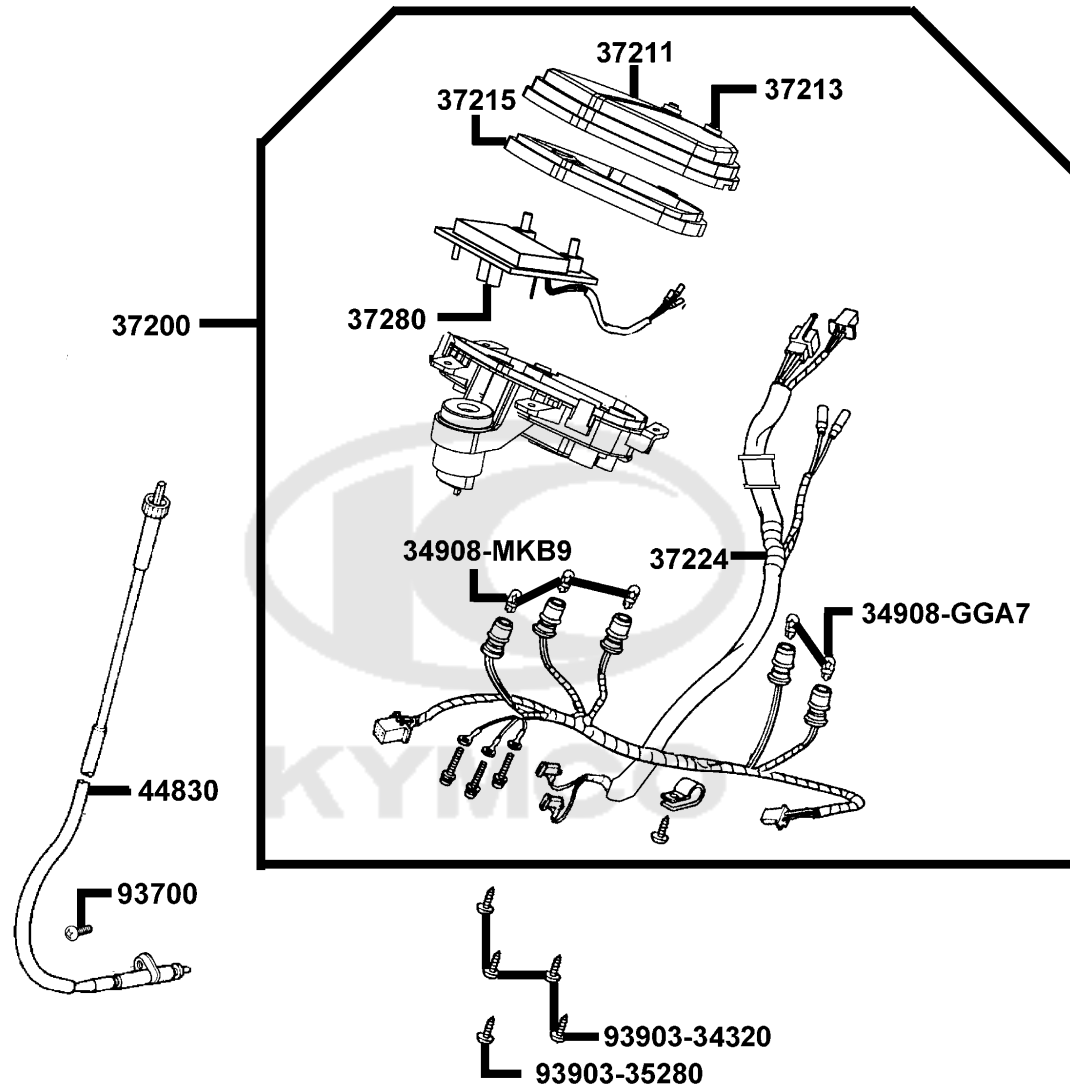
Sales mark	Ref no	Part no	Description	Reg description	Regd no	F01
------------	--------	---------	-------------	-----------------	---------	------------

33100		33100-LFC2-E10	LIGHT ASSY HEAD	LIGHT ASSY HEAD	1	
33108		33108-LFC2-E10	SOCKET COMP HEAD LIGHT	SOCKET COMP HEAD LIGHT	1	
34901		34901-LDC8-E10	BULB HEAD LIGHT	BULB HEAD LIGHT	1	
34903		34903-LDC8-E10	BULB POSITON	BULB POSITON	2	
93903		93903-25220	SCREW TAPPING 5*16(K)	SCREW TAPPING 5*16(K)	7	



F02

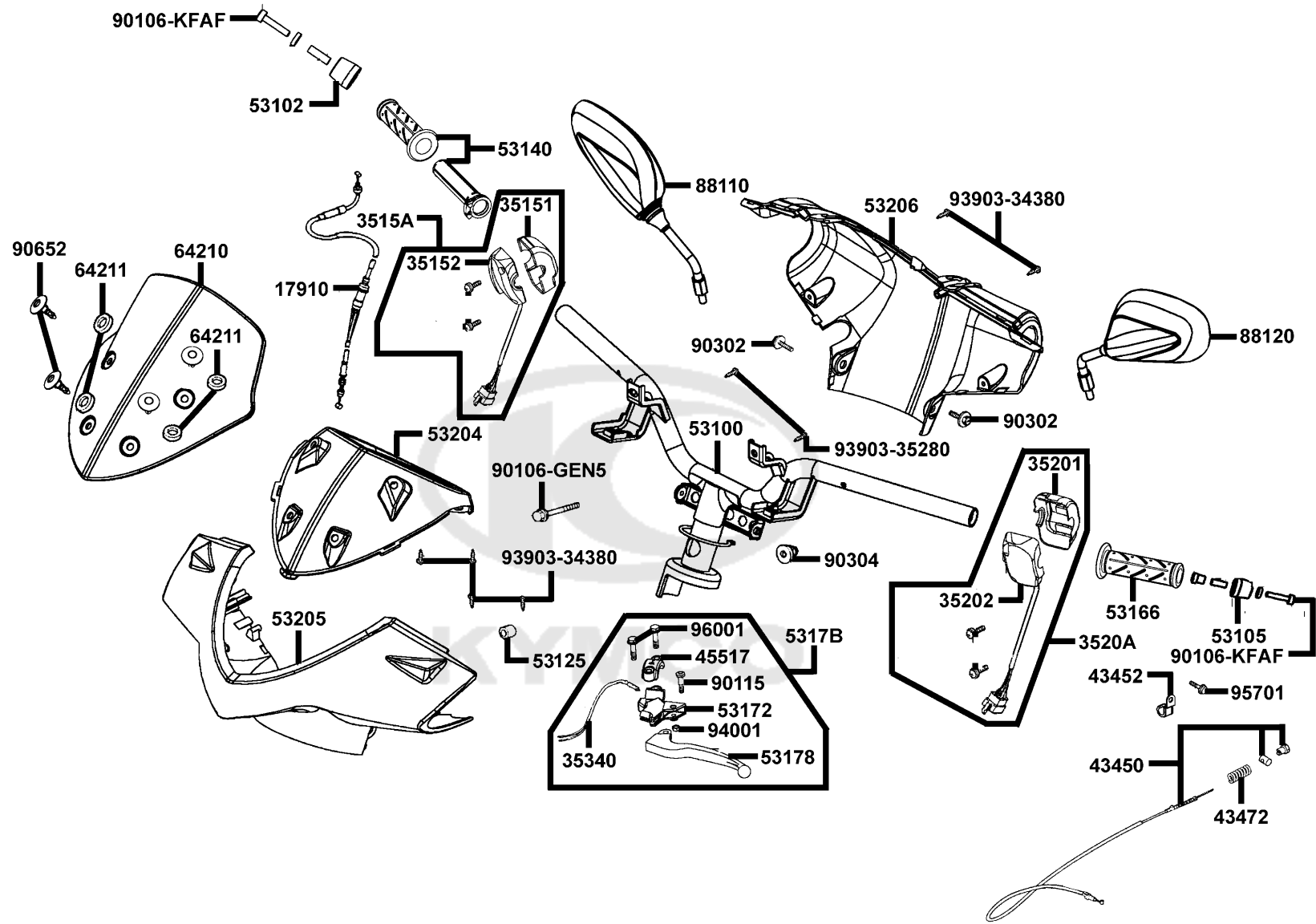
Speedometer



Sales mark	Ref no	Part no	Description	Reg description	Regd no	F02
	34908-GGA7	34908-GGA7-C00	BULB WEDGE BASE T10	BULB WEDGE BASE T10	1	
	34908-MKB9	34908-MKB9-C00	BULB WEDGE BASE T10	BULB WEDGE BASE T10	1	
	37200	37200-LKD1-E10	METER ASSY SPEED	METER ASSY SPEED	1	
	37211	37211-LFC2-E10	LENS COMP METER	LENS COMP METER	1	
	37213	37213-LFC2-E10	BUTTON ADJUST	BUTTON ADJUST	2	
	37215	37215-LFC2-E10	PLATE COSMETIC	PLATE COSMETIC	1	
	37224	37224-LKD1-E10	SOCKET COMP METER	SOCKET COMP METER	1	
	37280	37280-LEJ2-E0A	LCD ASSY (LOCK)/XD	LCD ASSY (LOCK)/XD	1	
	44830	44830-LCD3-C00	CABLE COMP SPDMT	CABLE COMP SPDMT	1	
	93700	93700-05018-0H	SCREW OVAL 5*18 ?	SCREW OVAL 5*18 ?	1	
	93903-34320	93903-34320	SCREW TAPPING 4*12 (C)	SCREW TAPPING 4*12 (C)	4	
	93903-35280	93903-35280	SCREW TAPPING 5*12 (K)	SCREW TAPPING 5*12 (K)	1	

F03

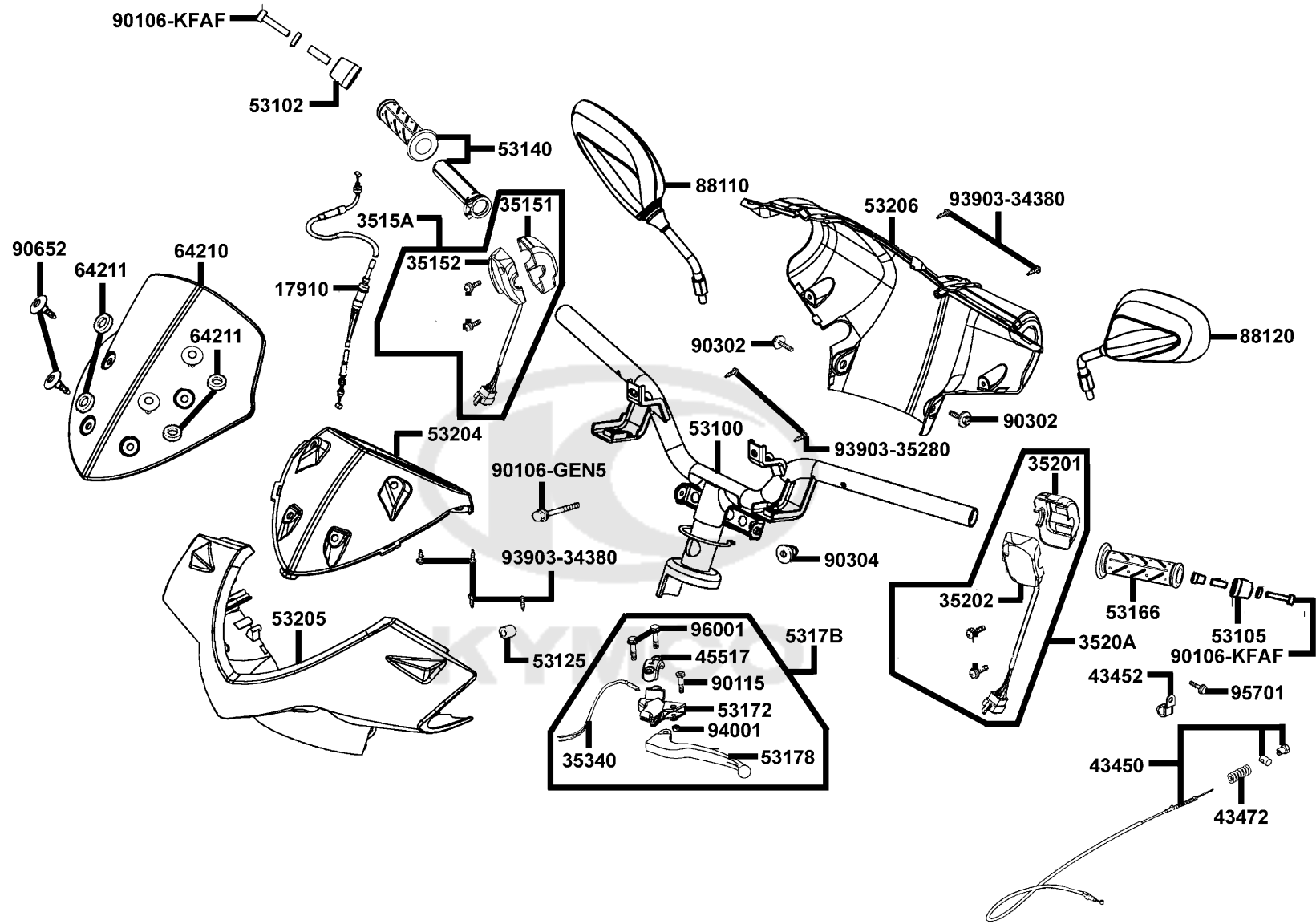
Handle Steering Handle Cover



Sales mark	Ref no	Part no	Description	Reg description	Regd no	F03
	17910	17910-LKD1-E10	CABLE COMP THROT	CABLE COMP THROT	1	
	35151	35151-LGB5-E10	FR CASE RH HNDL COMP SW	FR CASE RH HNDL COMP SW	1	
	35152	35152-LGB5-E10	RR CASE RH HNDL COMP SW	RR CASE RH HNDL COMP SW	1	
	3515A	3515A-LGB5-E10	SW ASSY RH HANDLE COMP	SW ASSY RH HANDLE COMP	1	
	35201	35201-LGB5-E10	FR CASE LH HNDL COMP SW	FR CASE LH HNDL COMP SW	1	
	35202	35202-LGB5-E10	RR CASE LH HNDL SW COMP	RR CASE LH HNDL SW COMP	1	
	3520A	3520A-LGB5-E10	SW ASSY LH HANDLE COMP	SW ASSY LH HANDLE COMP	1	
	35340	35340-KKJ9-C00	SW ASSY FR STOP	SW ASSY FR STOP	1	
	43450	43450-LKD1-E10	"CABLE COMP,RR BRK"	"CABLE COMP,RR BRK"	1	
	43452	43452-GKAK-C00	CLAMP BRK CABLE	CLAMP BRK CABLE	1	
	43472	43472-KHG8-C00	SPG RR BRK ARM	SPG RR BRK ARM	1	
	45517	45517-GFY6-900	HOLDER HNDL BRKT	HOLDER HNDL BRKT	1	
	53100	53100-LFC3-E10	"HANDLE COMP.,STRG"	"HANDLE COMP.,STRG"	1	
	53102	53102-LFC3-E10	"END,L HANDLE"	"END,L HANDLE"	1	
	53105	53105-LFC3-E10	"END,R HANDLE"	"END,R HANDLE"	1	
	53125	53125-GEN5-C00	COLLAR HANDLE SET	COLLAR HANDLE SET	1	
	53140	53140-LEJ2-E10	GRIP COMP THROT	GRIP COMP THROT	1	
	53166	53166-LEJ2-E10	GRIP L HANDLE	GRIP L HANDLE	1	
	53172	53172-KTCT-C00	BRKT HNDL L	BRKT HNDL L	1	
	53178	53178-LFC2-E10	LEVER L STRG HANDL	LEVER L STRG HANDL	1	

F03

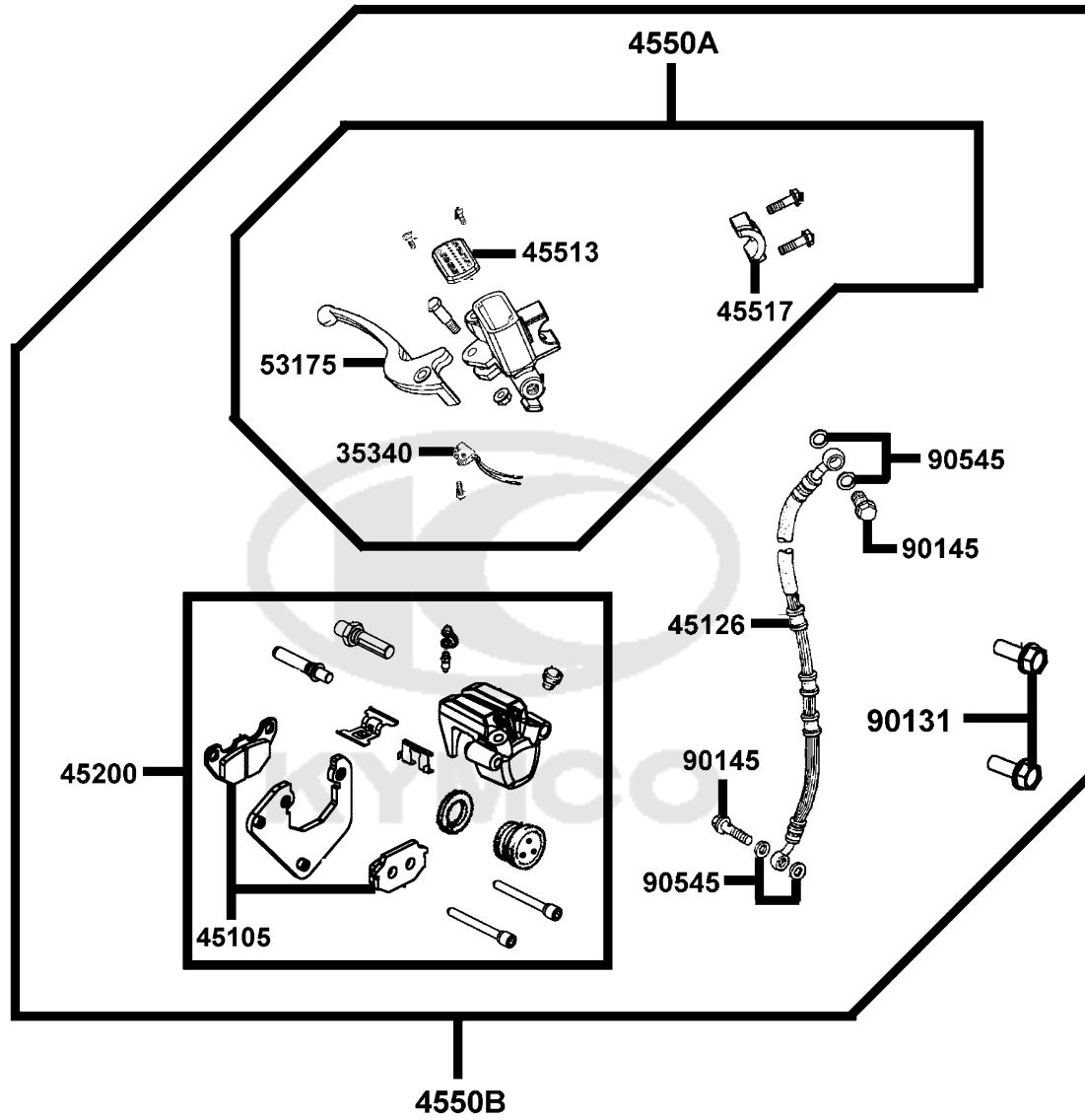
Handle Steering Handle Cover



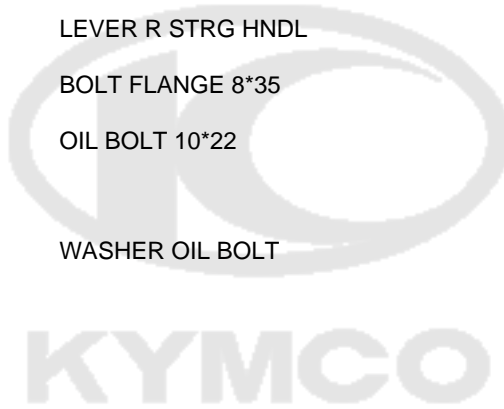
Sales mark	Ref no	Part no	Description	Reg description	Regd no	F03
	5317B	5317B-LFC2-E10	BRKT ASSY HNDL LH	BRKT ASSY HNDL LH	1	
**	53204	53204-LFC2-E10	COVER METER	COVER METER	1	
**	53205	53205-LFC2-E10	COVER HANDLE FR	COVER HANDLE FR	1	
**	53206	53206-LFC2-E10	COVER HANDLE RR	COVER HANDLE RR	1	
	64210	64210-LFC2-E10	ASSY METER VISOR	ASSY METER VISOR	1	
	64211	64211-LFC2-E10	SPONGE VISOR	SPONGE VISOR	4	
**	88110	88110-LEB5-C11	MIRROR ASSY R BACK	MIRROR ASSY R BACK	1	
**	88120	88120-LEB5-C11	MIRROR ASSY L BACK	MIRROR ASSY L BACK	1	
	90106-GEN5	90106-GEN5-901	BOLT FLANGE 10*50	BOLT FLANGE 10*50	1	
	90106-KFAF	90106-KFAF-900	BOLT FLANGE 10*55	BOLT FLANGE 10*55	2	
	90115	90115-GLE0-C00	BOLT HNDL LEVER PIVOT	BOLT HNDL LEVER PIVOT	1	
	90302	90302-LLB1-C00	WASHER PLAIN	WASHER PLAIN	1	
	90304	90304-GHE8-C00	NUT U 10MM (C)	NUT U 10MM (C)	1	
	90652	90652-LCA4-C10	CLIP MUDGUARD	CLIP MUDGUARD	1	
	93903-34380	93903-34380	BOLT FLANGE	BOLT FLANGE	6	
	93903-35280	93903-35280	SCREW TAPPING 5*12 (K)	SCREW TAPPING 5*12 (K)	2	
	94001	94001-05080-0S	NUT HEX 5MM (C)	NUT HEX 5MM (C)	1	
	95701	95701-06012-08	BOLT FLANGE 6*12	BOLT FLANGE 6*12	1	
	96001	96001-06025-06	BOLT FLANGE SH 6*25	BOLT FLANGE SH 6*25	2	

F04

Brake Master Cylinder

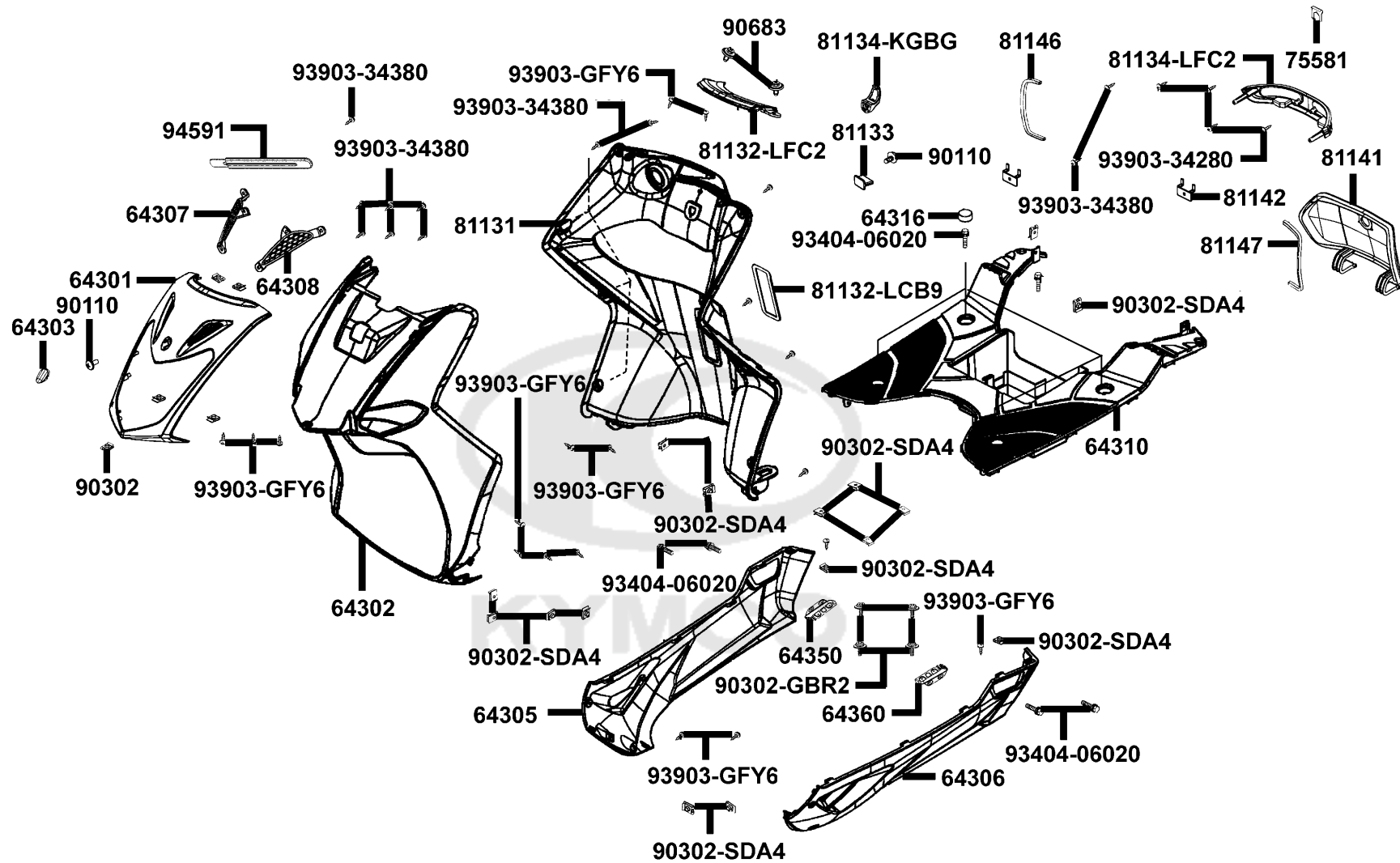


Sales mark	Ref no	Part no	Description	Reg description	Regd no	F04
35340		35340-KNBN-901	SW ASSY FR STOP	SW ASSY FR STOP	1	
45105		45105-LFC2-305	PAD COMP A+B	PAD COMP A+B	1	
45126		45126-LFC2-E10	HOSE ASSY FR BRK	HOSE ASSY FR BRK	1	
4550A		4550A-LFC2-E1A	M/C ASSY FR	M/C ASSY FR	1	
4550B		4550B-LFC2-E10	SUB ASSY FR BRK	SUB ASSY FR BRK	1	
45513		45513-KCCC-900	CAP M/C	CAP M/C	1	
45517		45517-KFAF-910	HOLDER M/C	HOLDER M/C	1	
53175		53175-KTCT-C00	LEVER R STRG HNDL	LEVER R STRG HNDL	1	
90131		90131-GLW0-C00	BOLT FLANGE 8*35	BOLT FLANGE 8*35	1	
90145		90145-9A61-C00	OIL BOLT 10*22	OIL BOLT 10*22	1	
90545		90545-3L00-C00	WASHER OIL BOLT	WASHER OIL BOLT	1	

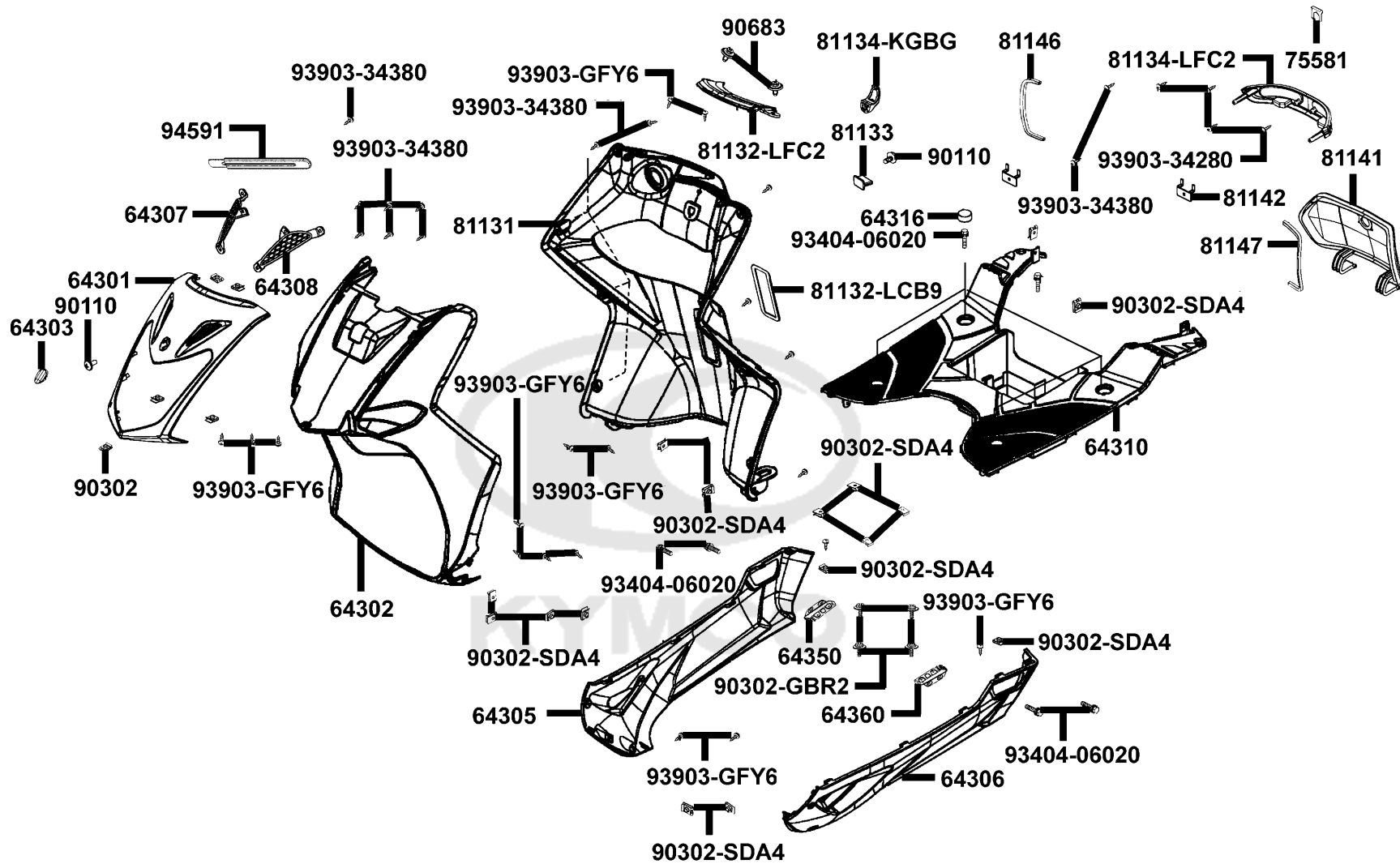


F05

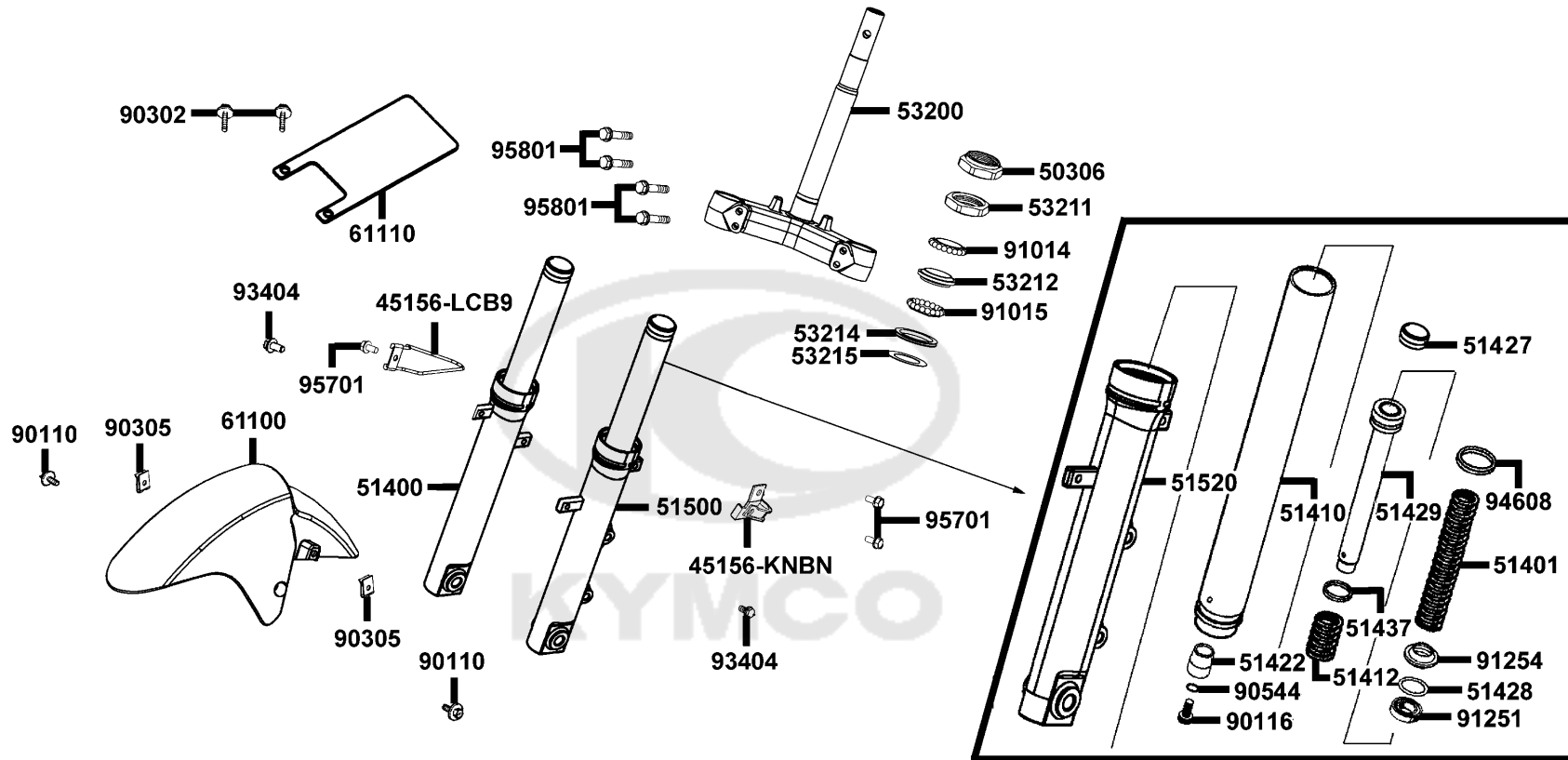
Front Cover Front Fender



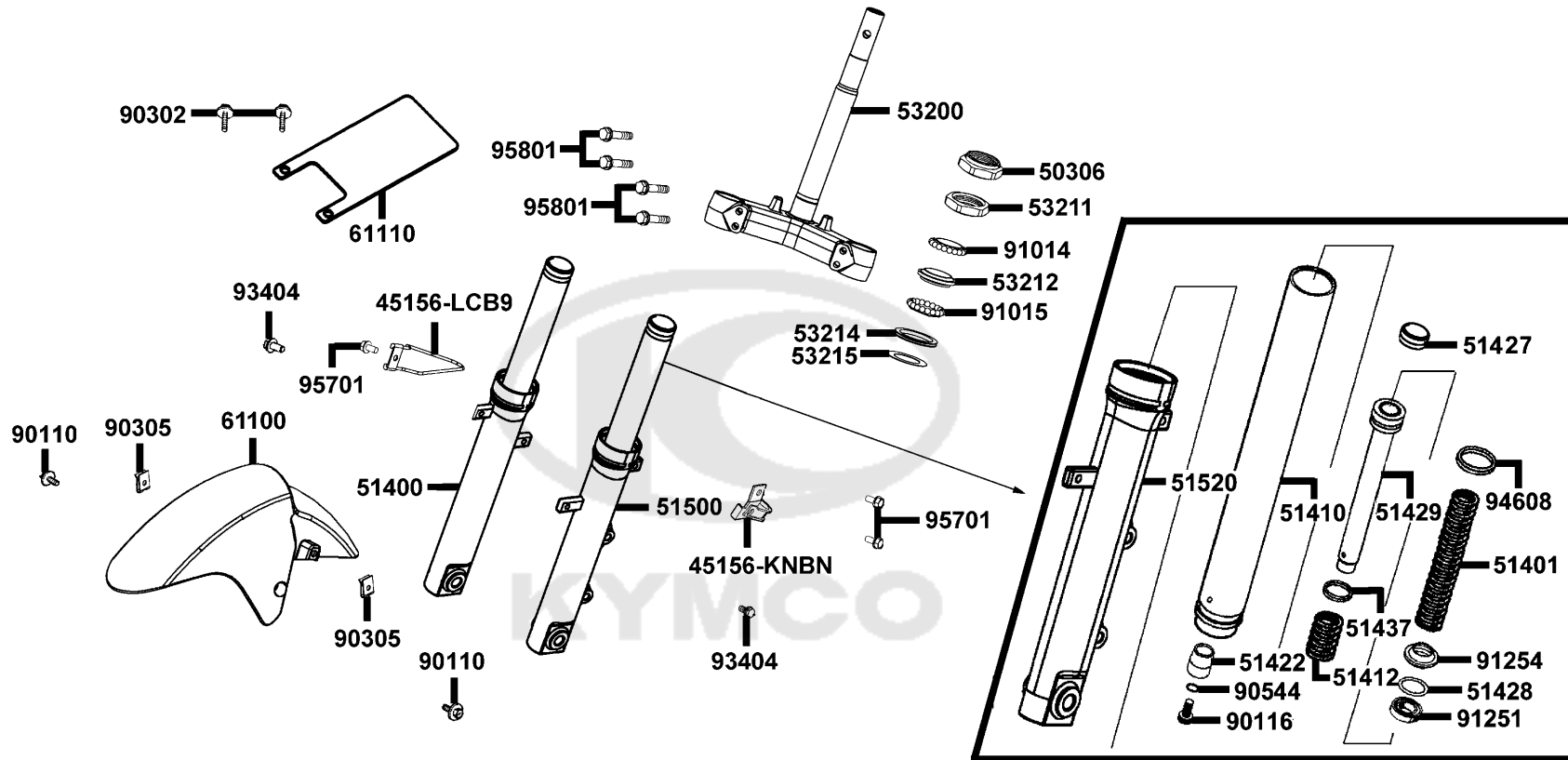
Sales mark	Ref no	Part no	Description	Reg description	Regd no	F05
**	64301	64301-LFC2-E10	"COVER, FRONT"	"COVER, FRONT"	1	
**	64302	64302-LFC2-E10	MOLD FRONT	MOLD FRONT	1	
**	64303	64303-LFC2-E10	CAP FR COVER	CAP FR COVER	1	
**	64305	64305-LFC2-E10	SKIRT R SIDE	SKIRT R SIDE	1	
**	64306	64306-LFC2-E10	SKIRT L SIDE	SKIRT L SIDE	1	
**	64307	64307-LFC2-E10	GRILLE R FR MOLDING	GRILLE R FR MOLDING	1	
**	64308	64308-LFC2-E10	GRILLE L FR MOLDING	GRILLE L FR MOLDING	1	
**	64310	64310-LFC2-E11	FLOOR PANEL	FLOOR PANEL	1	
**	64316	64316-LCB9-C10	PLUG FLOOR	PLUG FLOOR	4	
**	64350	64350-LFC2-E11	COVER R STEP	COVER R STEP	1	
**	64360	64360-LFC2-E11	COVER L STEP	COVER L STEP	1	
	75581	75581-6C73-C00	SET SPG LOCK KET(43°C)	SET SPG LOCK KET(43°C)	1	
**	81131	81131-LFC2-E10	LEG SHIELD	LEG SHIELD	1	
**	81132-LCB9	81132-LCB9-C10	LID LEG SHIELD	LID LEG SHIELD	1	
**	81132-LFC2	81132-LFC2-E10	CAP LEG SHIELD UP	CAP LEG SHIELD UP	1	
	81133	81133-KNBN-C00	STOPPER LUGGAGENH268	STOPPER LUGGAGENH268	1	
	81134-KGBG	81134-KGBG-C00	HOOK LUGGAGE	HOOK LUGGAGE	1	
**	81134-LFC2	81134-LFC2-E10	PLATE INNER BOX	PLATE INNER BOX	1	
**	81141	81141-LFC2-E10	LID INNER BOX	LID INNER BOX	1	
	81142	81142-KFA6-C00	STAY LID INNER BOX	STAY LID INNER BOX	1	



Sales mark	Ref no	Part no	Description	Reg description	Regd no	F05
81146		81146-LFC2-E10	SEAL A LID INNER BOX	SEAL A LID INNER BOX	1	
81147		81147-LFC2-E10	SEAL B LID INNER BOX	SEAL B LID INNER BOX	1	
90110		90110-GLW0-C00	SCREW SPECIAL 6*14	SCREW SPECIAL 6*14	1	
90302-GBR2		90302-GBR2-C00	BOLT-WASH 5*12	BOLT-WASH 5*12	1	
90302-SDA4		90302-SDA4-C00	NUT SPRING 4MM	NUT SPRING 4MM	1	
90683		90683-GAR1-C00	CLIP BODY COVER	CLIP BODY COVER	1	
93404-06020		93404-06020-07	BOLT WASHER 6*20(K)	BOLT WASHER 6*20(K)	8	
93903-34280		93903-34280	SCREW TAPPING 4*10	SCREW TAPPING 4*10	4	
93903-34380		93903-34380	BOLT FLANGE	BOLT FLANGE	1	
93903-GFY6		93903-GFY6-C00	SCREW TAPPING 4*14	SCREW TAPPING 4*14	1	
94591		94591-LGR5-E10	CLIP 1*100	CLIP 1*100	1	



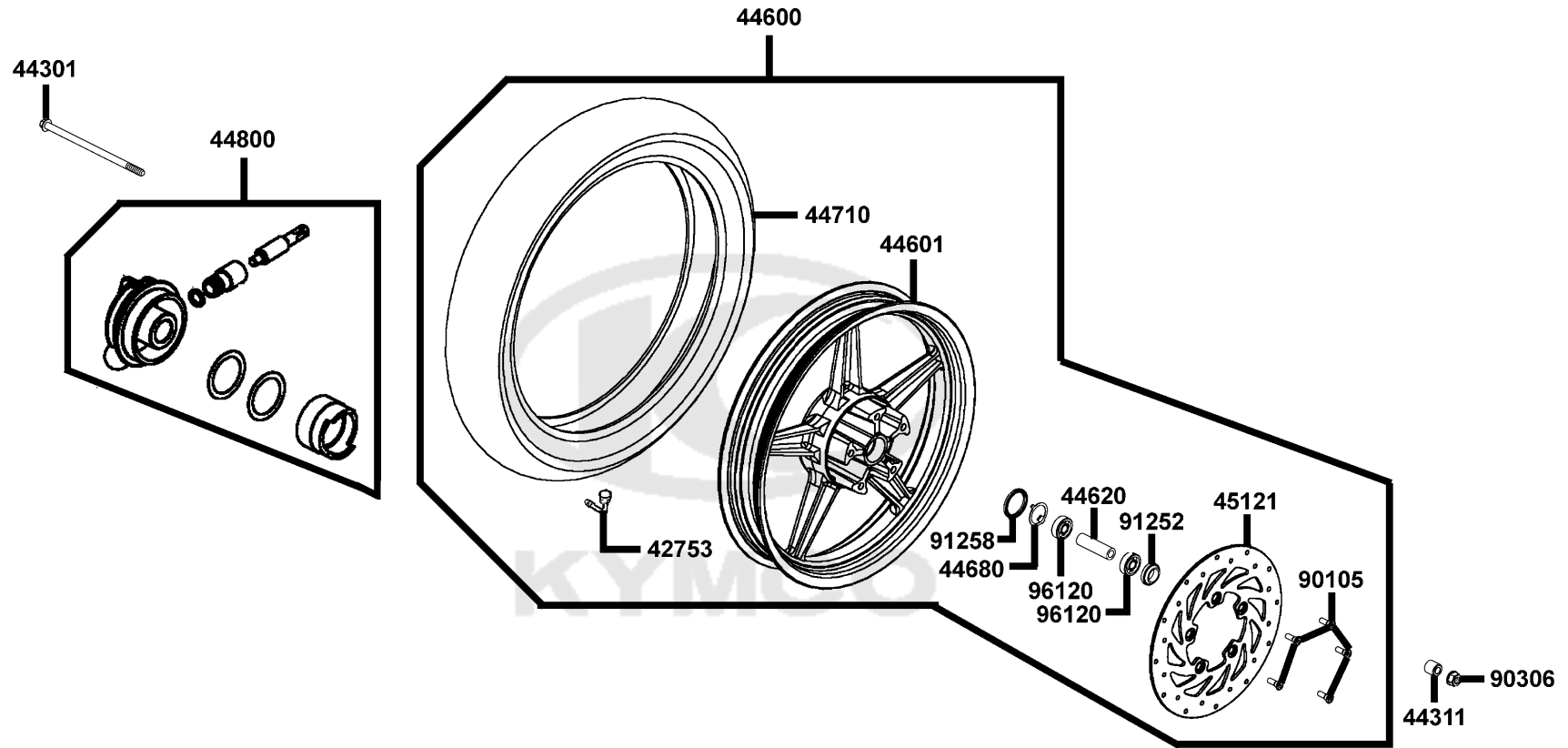
Sales mark	Ref no	Part no	Description	Reg description	Regd no	F06
	45156-KNBN	45156-KNBN-C00	CLAMPER FR BRAKE HOSE	CLAMPER FR BRAKE HOSE	1	
	45156-LCB9	45156-LCB9-B20	CLAMPER METER CABLE	CLAMPER METER CABLE	1	
	50306	50306-1F96-C00	NUT STRG STEM LOCK	NUT STRG STEM LOCK	1	
	51400	51400-LFC3-E10	FORK ASSY R FR	FORK ASSY R FR	1	
**	51400	51400-LFC3-E10	FORK ASSY R FR	FORK ASSY R FR	1	
	51401	51401-LFC3-E10	SPRING	SPRING	2	
	51410	51410-LEJ2-E10	FORK PIPE COMP	FORK PIPE COMP	2	
	51412	51412-LEJ2-E10	REBOUND SPRING	REBOUND SPRING	2	
	51422	51422-LEJ2-E10	OIL LOCK PIECE	OIL LOCK PIECE	2	
	51427	51427-LEJ2-E10	FORK BOLT	FORK BOLT	2	
	51428	51428-LEJ2-E10	OIL SEAL STOPPER RING	OIL SEAL STOPPER RING	2	
	51429	51429-LFC3-E10	PIPE SEAT	PIPE SEAT	2	
	51437	51437-LEJ2-E10	PISTON RING	PISTON RING	2	
**	51500	51500-LFC3-E10	FORK ASSY L FR	FORK ASSY L FR	1	
	51520	51520-LEJ2-E10	BOTTOM CASE LH	BOTTOM CASE LH	1	
	53200	53200-LFC2-E10	STEM ASSY STRG	STEM ASSY STRG	1	
	53211	53211-GFY6-C00	RACE STRG TOP CONE	RACE STRG TOP CONE	1	
	53212	53212-2L50-C00	RACE (STRG BOTTOM) CONE	RACE (STRG BOTTOM) CONE	1	
	53214	53214-2L50-C00	DUST SEAL STRG HEAD	DUST SEAL STRG HEAD	1	
	53215	53215-2L50-C00	WASHER STRG HDL DUST-SEAL	WASHER STRG HDL DUST-SEAL	1	



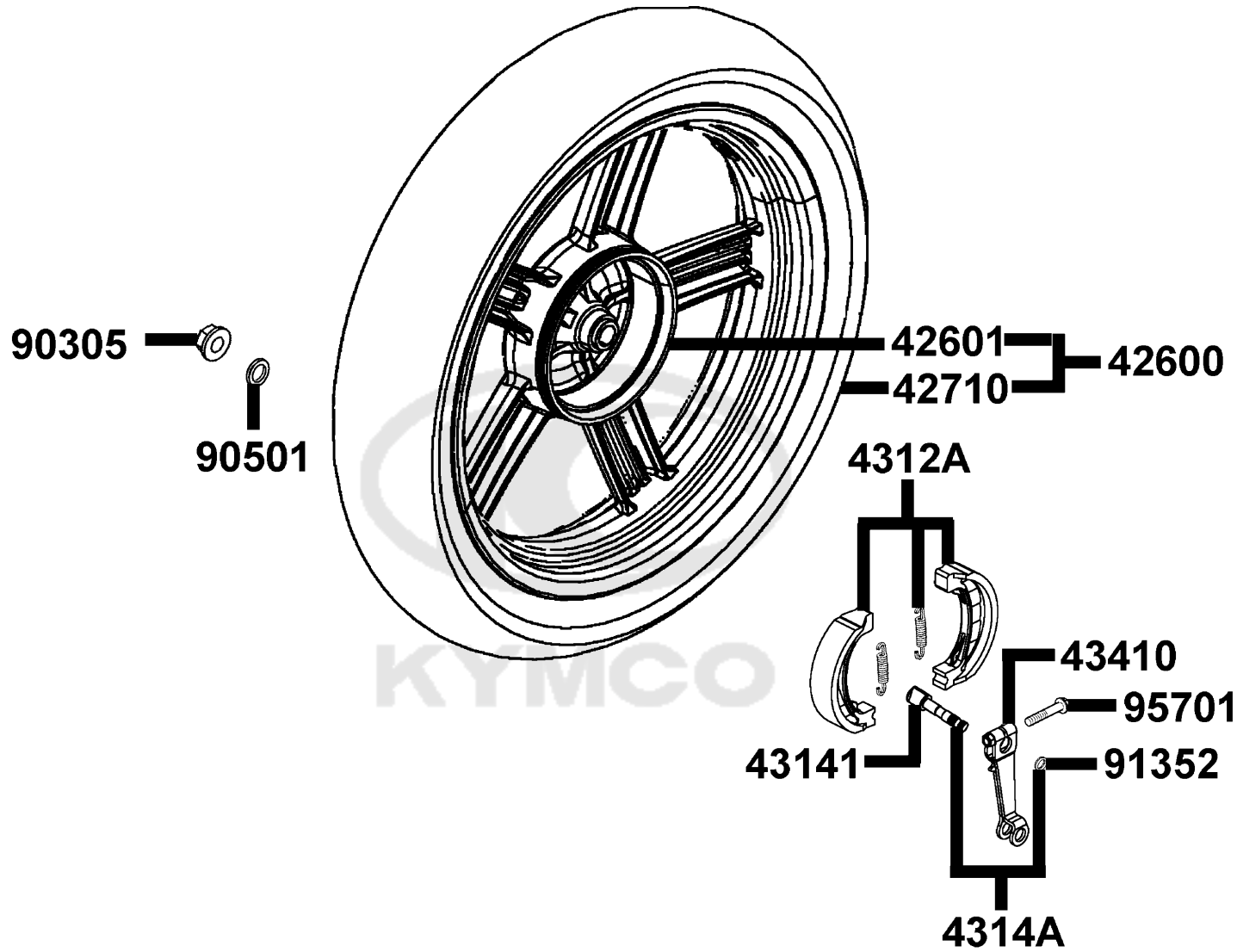
Sales mark	Ref no	Part no	Description	Reg description	Regd no	F06
**	61100	61100-LFC2-E10	FENDER FR	FENDER FR	1	
	61110	61110-LFC2-E10	PLATEINNER FENDER SPLASH GUARD	PLATEINNER FENDER SPLASH GUARD	1	
	90110	90110-KEB7-C00	SCREW SPECIAL 6*14	SCREW SPECIAL 6*14	1	
	90116	90116-LEJ2-E10	BOLT	BOLT	2	
	90302	90302-GFY6-C10	BOLT-WASH 5*16	BOLT-WASH 5*16	1	
	90305	90305-GHK8-C00	NUT CLIP 6MM	NUT CLIP 6MM	1	
	90544	90544-LEJ2-E10	PACKINGCUB	PACKINGCUB	2	
	91014	91014-LLJ3-C00	CAGE STRG TOPP	CAGE STRG TOPP	1	
	91015	91015-LLJ3-C00	CAGE STRG BOT	CAGE STRG BOT	1	
	91251	91251-LEJ2-E10	OIL SEAL	OIL SEAL	2	
	91254	91254-LEJ2-E10	DUST SEAL	DUST SEAL	2	
	93404	93404-06025-07	BOLT WASHER 6*25 (K)	BOLT WASHER 6*25 (K)	2	
	94608	94608-LEJ2-E10	O-RING B	O-RING B	2	
	95701	95701-06012-08	BOLT FLANGE 6*12	BOLT FLANGE 6*12	3	
	95801	95801-08040-08	BOLT FLANGE 8*40 (C)	BOLT FLANGE 8*40 (C)	4	

F07

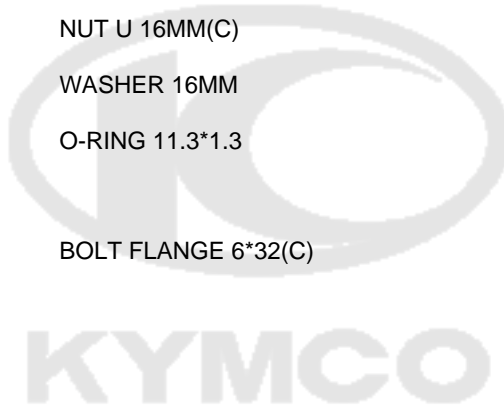
Front Wheel

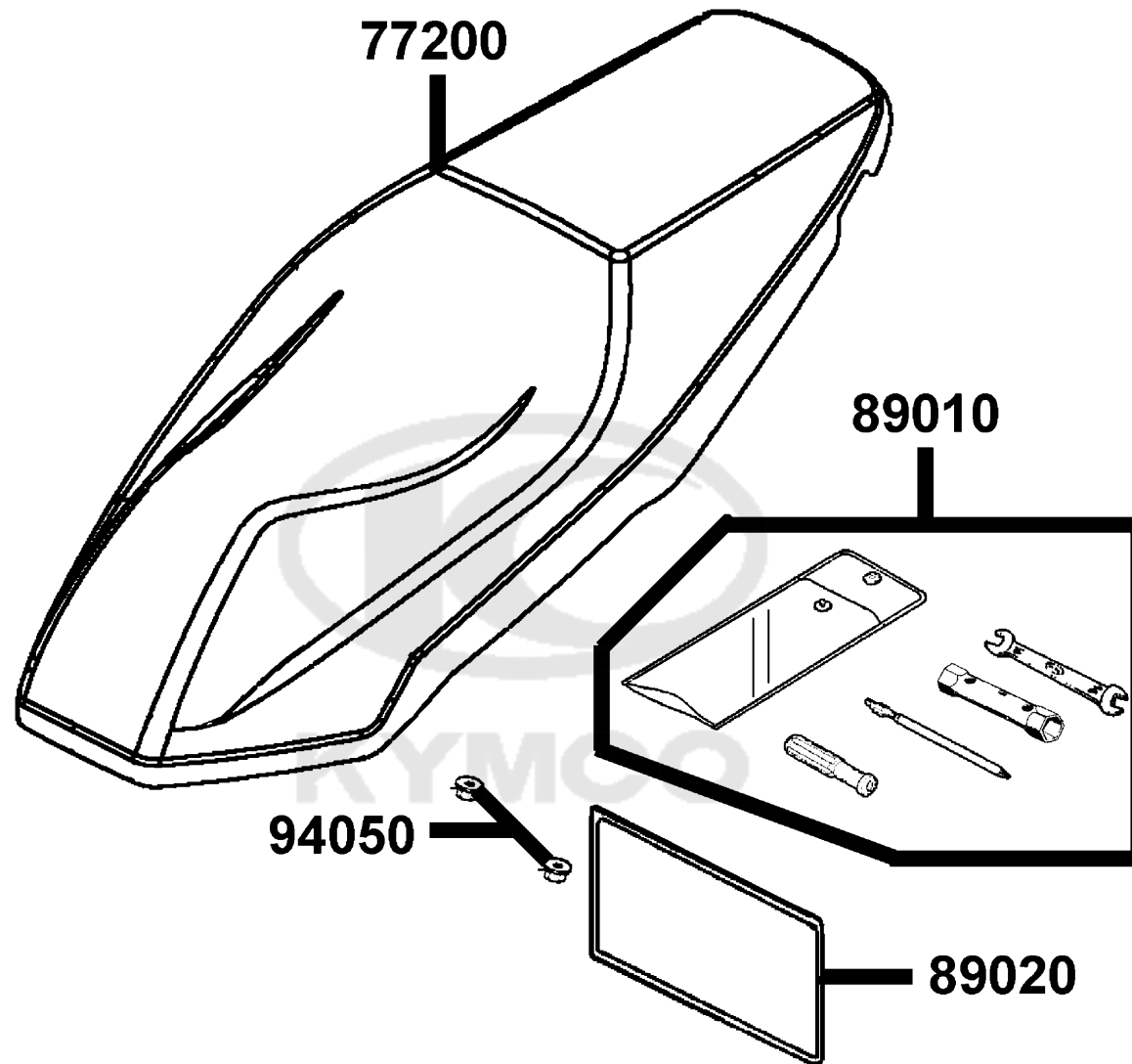


Sales mark	Ref no	Part no	Description	Reg description	Regd no	F07
	42753	42753-0A01-C00	CAP VALVE	CAP VALVE	1	
	44301	44301-LEJ2-E10	AXLE FR WHEEL	AXLE FR WHEEL	1	
	44311	44311-LFC2-E10	COLLAR FR WHEEL SIDE	COLLAR FR WHEEL SIDE	1	
**	44600	44600-LFC3-E81	WHEEL ASSY FR	WHEEL ASSY FR	1	
**	44601	44601-LFC2-E10	WHEEL CAST FR	WHEEL CAST FR	1	
	44620	44620-KFLF-C00	COLLAR FR DIST	COLLAR FR DIST	1	
	44680	44680-4L10-C00	RETAINER GEAR BOX	RETAINER GEAR BOX	1	
	44710	44710-LFC3-E11	TIRE ASSY FR	TIRE ASSY FR	1	
	44800	44800-LKD1-E10	GEAR BOX ASSY SPDMT	GEAR BOX ASSY SPDMT	1	
	45121	45121-LFC2-E80	"DISK,FR BRAKE LH"	"DISK,FR BRAKE LH"	1	
	90105	90105-KCR3-001	BOLT FR DISK 8*24	BOLT FR DISK 8*24	5	
	90306	90306-KLF0-C00	NUT FLANGE 12MM	NUT FLANGE 12MM	1	
	91252	91252-0L30-004	OIL SEAL WHEEL 23*37*7	OIL SEAL WHEEL 23*37*7	1	
	91258	91258-4L10-007	DUST SEAL 40*50*5	DUST SEAL 40*50*5	1	
	96120	96120-63010-10	BEARING BALL RADIAL 6301	BEARING BALL RADIAL 6301	2	



Sales mark	Ref no	Part no	Description	Reg description	Regd no	F08
**	42600	42600-LKD1-E11	WHEEL ASSYREAR	WHEEL ASSYREAR	1	
**	42601	42601-LFC2-E10	WHEEL CASTRR	WHEEL CASTRR	1	
	42710	42710-LKD1-E11	TIRE ASSY RR	TIRE ASSY RR	1	
	4312A	4312A-KUDU-C00	SHOE ASSY RR BRAKE	SHOE ASSY RR BRAKE	1	
	43141	43141-LCD3-E00	CAM RR BRAKE	CAM RR BRAKE	1	
	4314A	4314A-LCD3-E00	CAM ASSY RR BRAKE	CAM ASSY RR BRAKE	1	
	43410	43410-KFA6-900	ARM REAR BRAKE	ARM REAR BRAKE	1	
	90305	90305-KNBN-C00	NUT U 16MM(C)	NUT U 16MM(C)	1	
	90501	90501-KNBN-C00	WASHER 16MM	WASHER 16MM	1	
	91352	91352-KHG8-83A	O-RING 11.3*1.3	O-RING 11.3*1.3	1	
	95701	95701-06032-08	BOLT FLANGE 6*32(C)	BOLT FLANGE 6*32(C)	1	





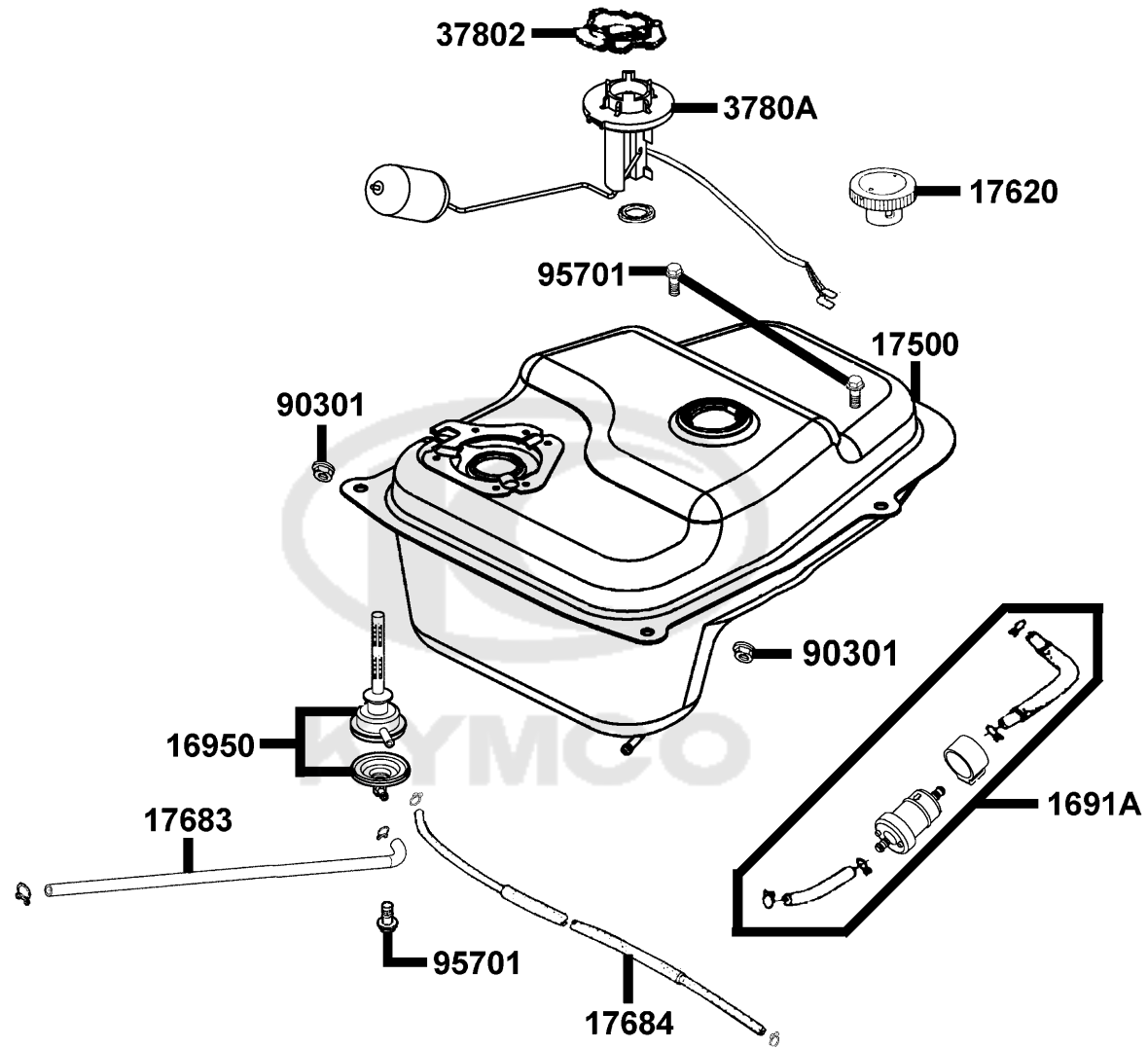
Sales mark	Ref no	Part no	Description	Reg description	Regd no	F09
------------	--------	---------	-------------	-----------------	---------	------------

**	77200	77200-LFC3-E10	SEAT ASSY	SEAT ASSY	1	
	89010	89010-KGBG-C00	TOOL SET	TOOL SET	1	
	89020	89020-KKC4-900	BAND TOOL SET	BAND TOOL SET	1	
	94050	94050-06080	NUT FLANG 6MM	NUT FLANG 6MM	4	

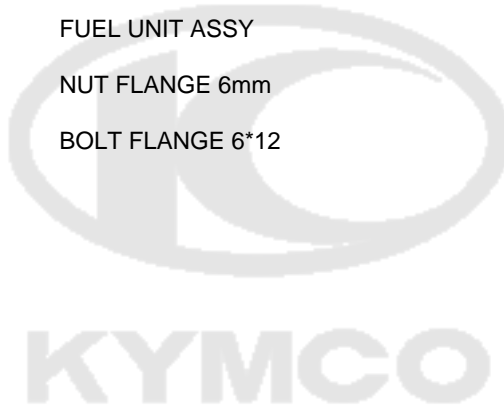


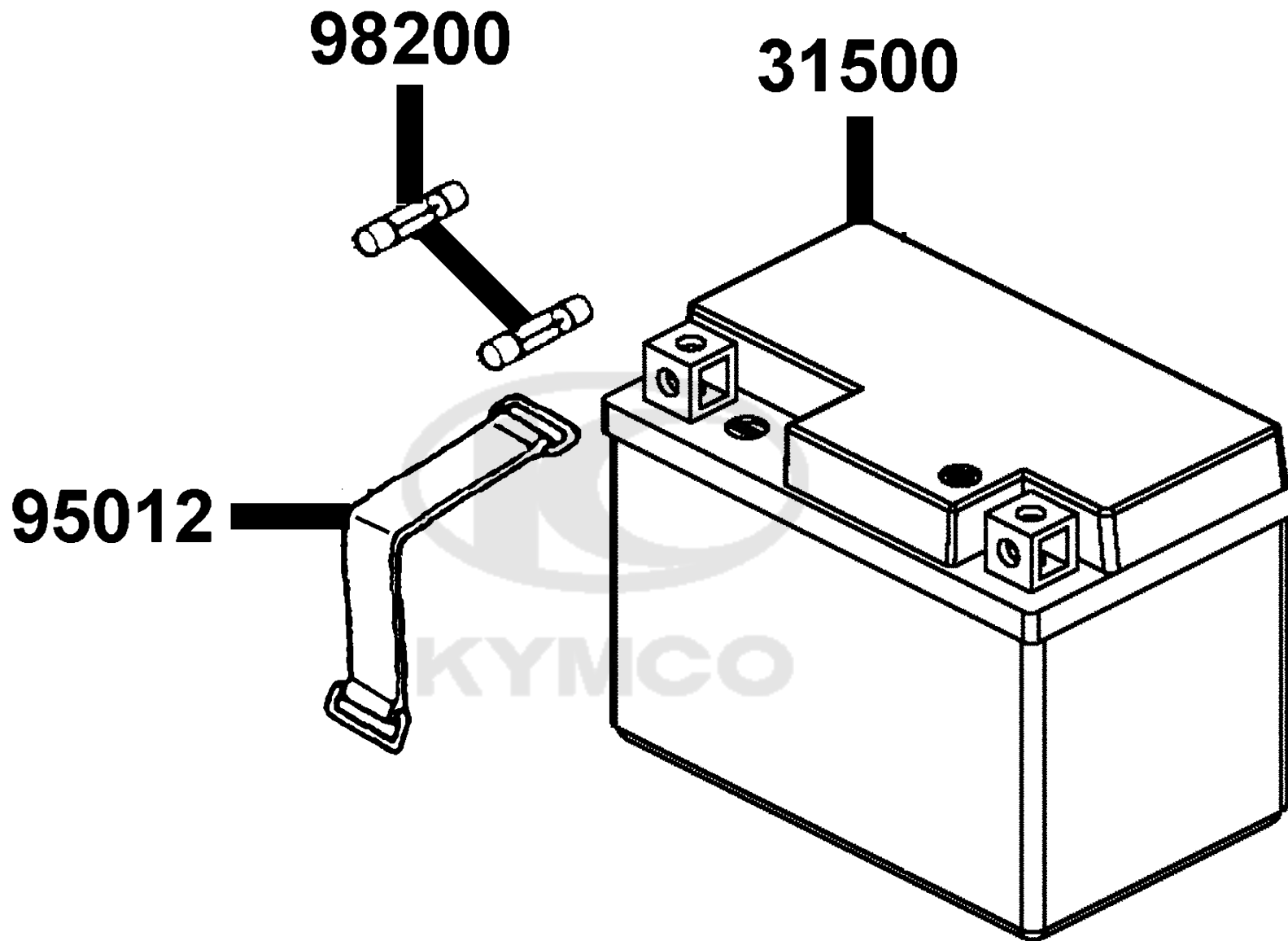
F10

Fuel Tank



Sales mark	Ref no	Part no	Description	Reg description	Regd no	F10
	1691A	1691A-LEJ2-E10	STRAINER ASSY FUEL	STRAINER ASSY FUEL	1	
	16950	16950-LCA3-B50	AUTO COCK ASSY FUEL	AUTO COCK ASSY FUEL	1	
	17500	17500-LEJ2-E10	TANK COMP FUEL	TANK COMP FUEL	1	
	17620	17620-LBA8-C10	CAP FUEL FILLER	CAP FUEL FILLER	1	
	17683	17683-LKD1-E10	TUBE ASSY COCK CARB	TUBE ASSY COCK CARB	1	
	17684	17684-LKD1-E10	TUBE ASSY COCK-INLET	TUBE ASSY COCK-INLET	1	
	37802	37802-GGA7-C00	RET FUEL UNIT	RET FUEL UNIT	1	
	3780A	3780A-LEJ2-E10	FUEL UNIT ASSY	FUEL UNIT ASSY	1	
	90301	90301-LEJ2-E10	NUT FLANGE 6mm	NUT FLANGE 6mm	2	
	95701	95701-06012-08	BOLT FLANGE 6*12	BOLT FLANGE 6*12	3	





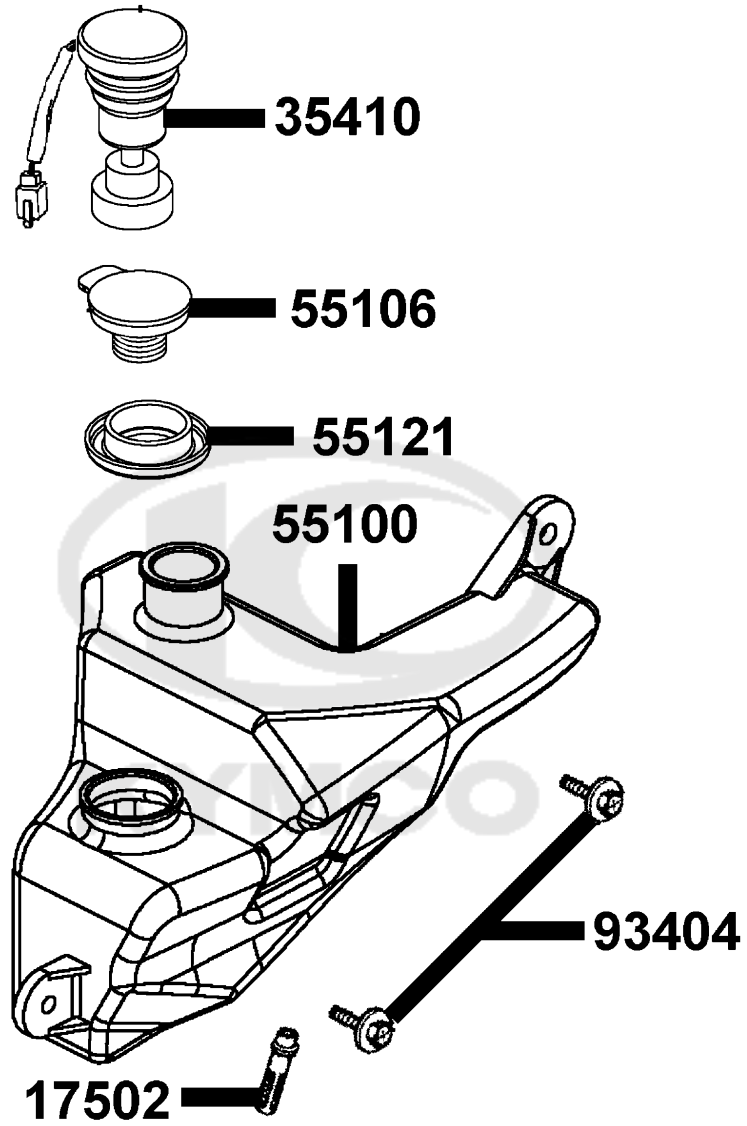
Sales mark	Ref no	Part no	Description	Reg description	Regd no	F11
------------	--------	---------	-------------	-----------------	---------	------------

31500		31500-GFY6-C00	BATTERY GTX6L-BS	BATTERY GTX6L-BS	1	
95012		95012-LEJ2-E10	BAND BATTERY	BAND BATTERY	1	
98200		98200-10700	FUSE A7	FUSE A7	2	



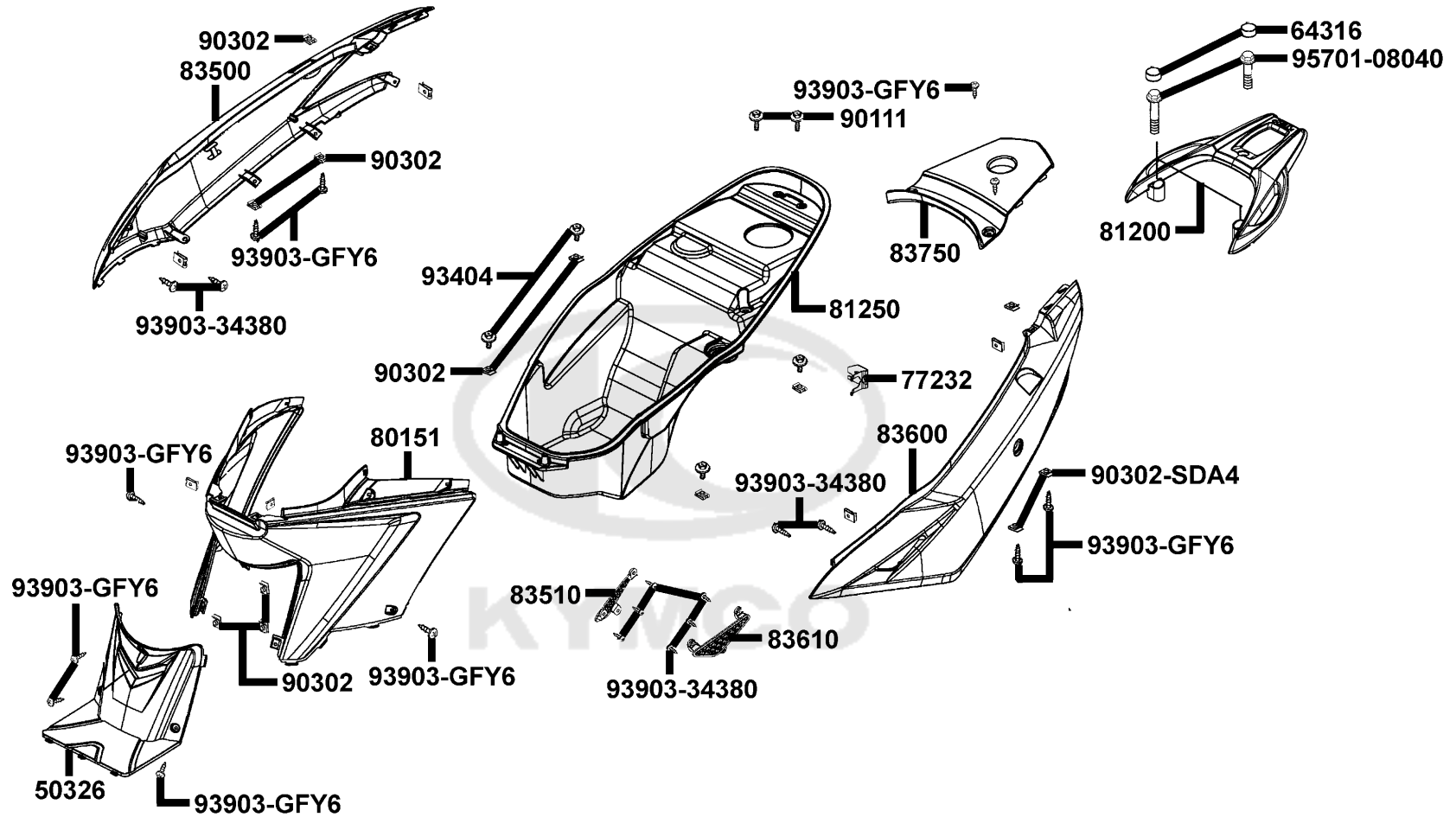
F12

Tank Oil



Sales mark	Ref no	Part no	Description	Reg description	Regd no	F12
17502		17502-1G87-001	OIL STRAINER	OIL STRAINER	1	
35410		35410-LHB3-E10	SW COMP OIL LEVEL	SW COMP OIL LEVEL	1	
55100		55100-LKD1-E10	TANK OIL	TANK OIL	1	
55106		55106-KEB7-C00	CAP TANK OIL	CAP TANK OIL	1	
55121		55121-LCD1-C00	RUBBER OIL GUIDE	RUBBER OIL GUIDE	1	
93404		93404-06016-07	BOTL WASHER 6*16(K)	BOTL WASHER 6*16(K)	2	

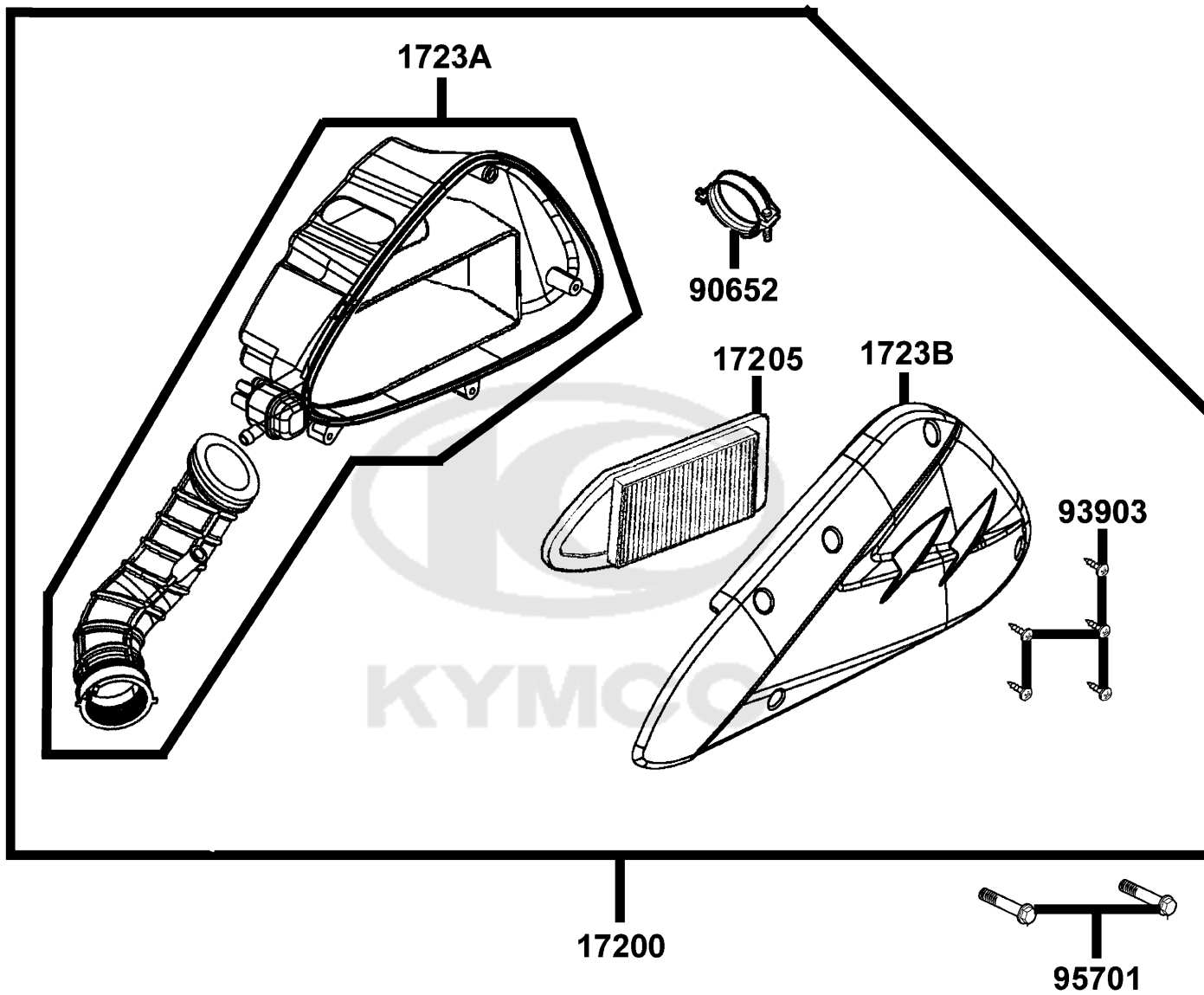




Sales mark	Ref no	Part no	Description	Reg description	Regd no	F13
**	50326	50326-LFC2-E10	COVER BATTERY	COVER BATTERY	1	
**	64316	64316-LCB9-C10	PLUG FLOOR	PLUG FLOOR	3	
	77232	77232-KCAC-C00	SET SPG SEAT LOCK	SET SPG SEAT LOCK	1	
**	80151	80151-LFC2-E10	COVER CENTER	COVER CENTER	1	
**	81200	81200-LFC2-E10	CARRIER RR	CARRIER RR	1	
**	81250	81250-LKD1-E10	BOX LUGGAGE	BOX LUGGAGE	1	
**	83500	83500-LFC2-E10	COVER R BODY	COVER R BODY	1	
**	83510	83510-LFC2-E10	GRILL R SIDE	GRILL R SIDE	1	
**	83600	83600-LFC2-E10	COVER L BODY	COVER L BODY	1	
**	83610	83610-LFC2-E10	GRILL L SIDE	GRILL L SIDE	1	
**	83750	83750-LFC2-E10	COVER RR CENTER	COVER RR CENTER	1	
	90111	90111-1G87-C00	BOLT FLANGE 6MM	BOLT FLANGE 6MM	1	
	90302	90302-SDA4-C00	NUT SPRING 4MM	NUT SPRING 4MM	1	
	93404	93404-06012-07	BOLT WASHER 6*12(K)	BOLT WASHER 6*12(K)	4	
	93903-34380	93903-34380	BOLT FLANGE	BOLT FLANGE	10	
	93903-GFY6	93903-GFY6-C00	SCREW TAPPING 4*14	SCREW TAPPING 4*14	1	
	95701	95701-08040-08	BOLT FLANGE 8*40 (C)	BOLT FLANGE 8*40 (C)	3	

F14

Air Cleaner

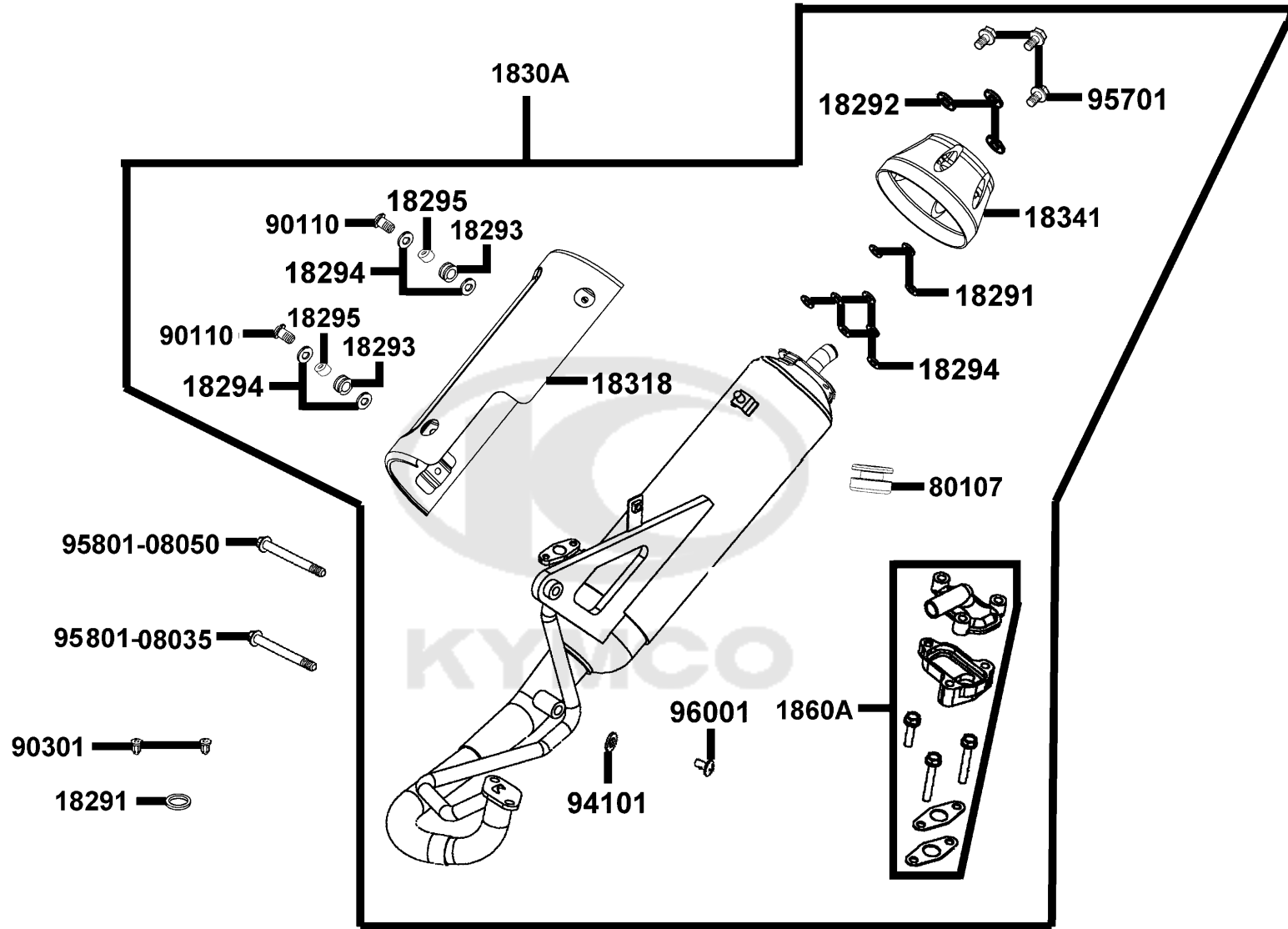


Sales mark	Ref no	Part no	Description	Reg description	Regd no	F14
17200		17200-LCD1-C00	AIR/C ASSY	AIR/C ASSY	1	
17205		17205-KFA6-C00	ELEMENT AIR/C	ELEMENT AIR/C	1	
1723A		1723A-LCD1-C00	CASE ASSY AIR/C	CASE ASSY AIR/C	1	
1723B		1723B-LCD1-C00	COVER COMP AIR/C	COVER COMP AIR/C	1	
90652		90652-KTCT-C00	BAND 44 AIR/C CONN TUBE	BAND 44 AIR/C CONN TUBE	1	
93903		93903-25480	SCREW TAPPING 5*20 (K)	SCREW TAPPING 5*20 (K)	5	
95701		95701-06040-08	BOLT FLANGE 6*40 (C)	BOLT FLANGE 6*40 (C)	2	

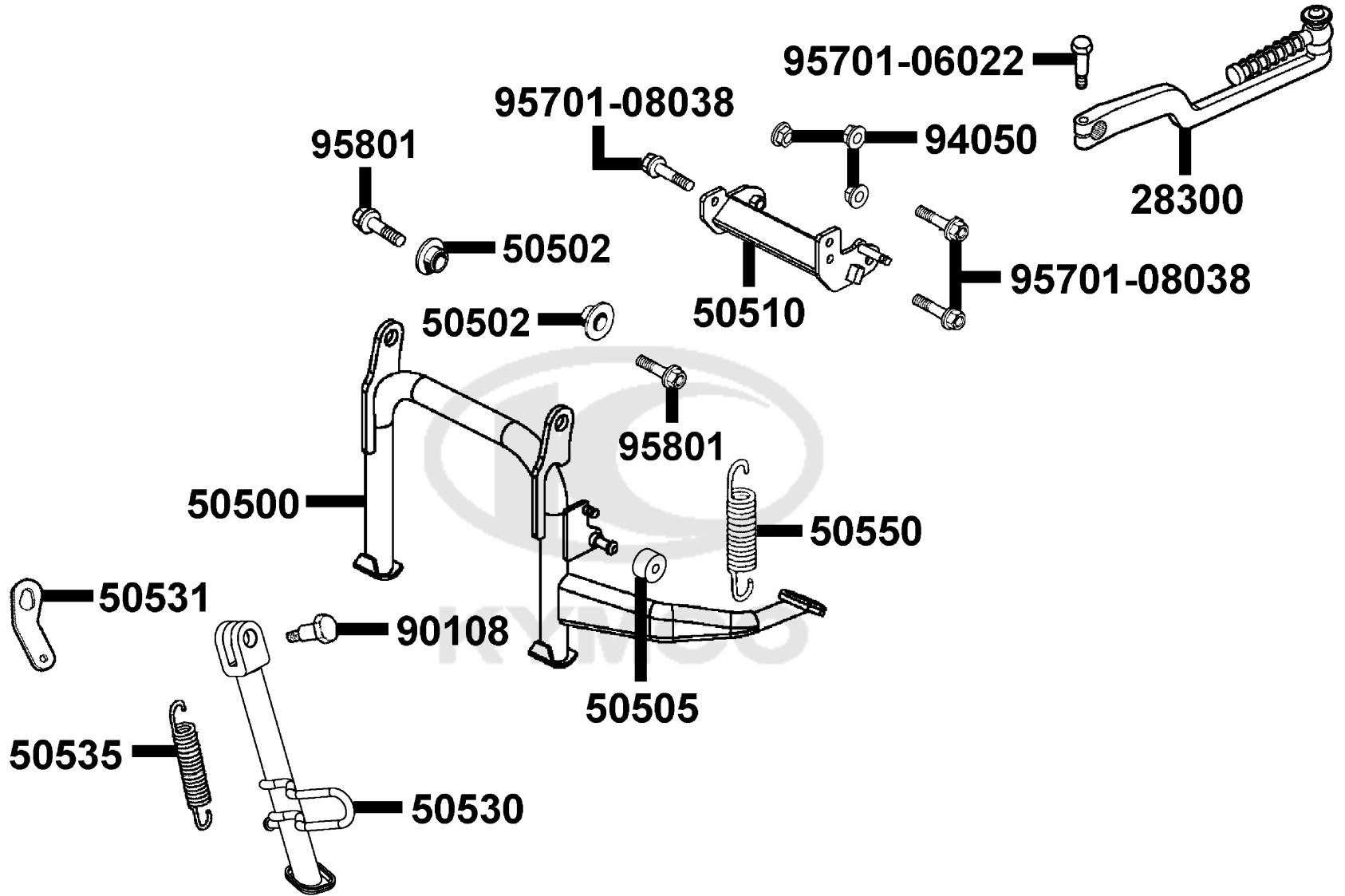


F15

Exhaust Muffler



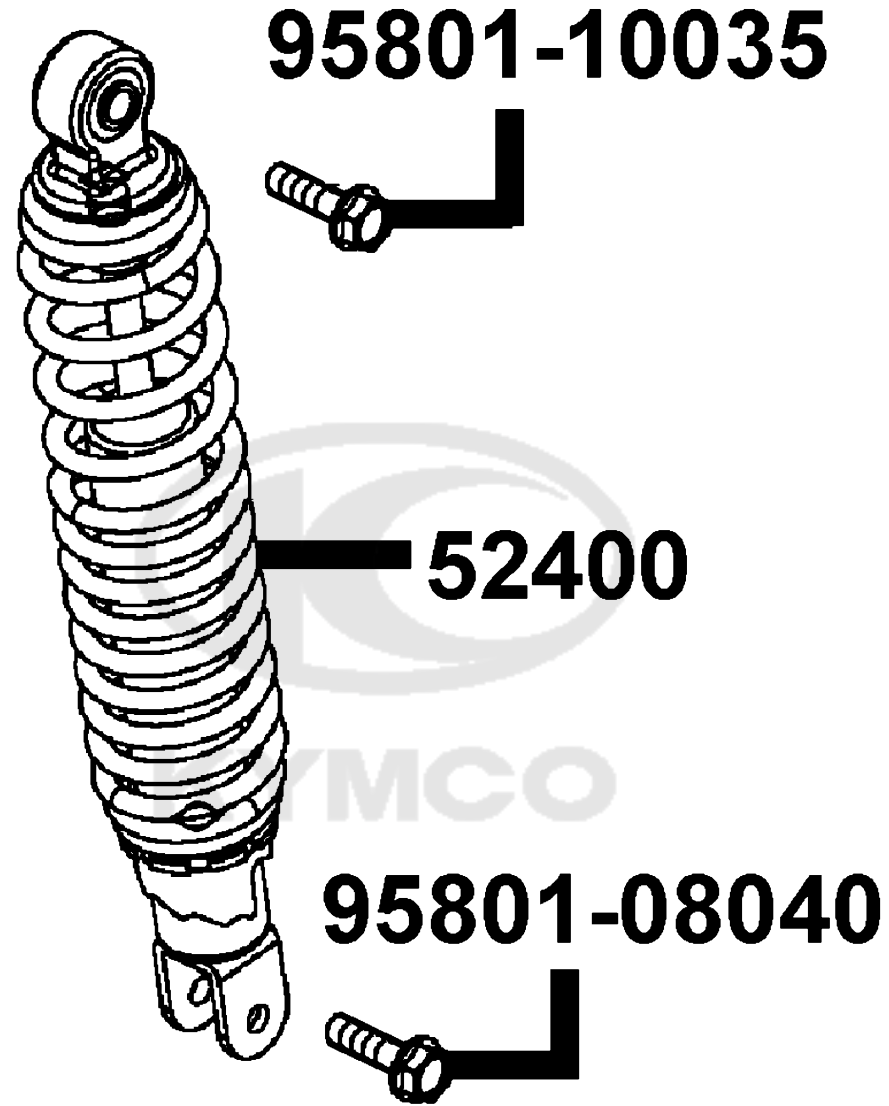
Sales mark	Ref no	Part no	Description	Reg description	Regd no	F15
	18291-KKC4	18291-KKC4-C00	COLLAR	COLLAR	1	
	18291-LHB3	18291-LHB3-E10	GASKET EXH PIPE	GASKET EXH PIPE	1	
	18292	18292-KEBE-C00	PACKING PROTECTOR	PACKING PROTECTOR	1	
	18293	18293-KECE-C00	RUBBER A PROTR	RUBBER A PROTR	1	
	18294	18294-KEBE-C00	PACKING PROTECTOR	PACKING PROTECTOR	1	
	18295	18295-KECE-900	COLLAR 6MM	COLLAR 6MM	4	
	1830A	1830A-LKD1-E10	MUFFLER ASSY EXHAUST	MUFFLER ASSY EXHAUST	1	
	18318	18318-LHB3-E10	PROTECTOR COMP MUFFLER	PROTECTOR COMP MUFFLER	1	
	18341	18341-LHB3-E10	"TAIL CAP COMP, MUFFLER"	"TAIL CAP COMP, MUFFLER"	1	
	1860A	1860A-KFB5-C00	REED VALVE ASSY	REED VALVE ASSY	1	
	80107	80107-KHLH-C00	RUBBER AFR FENDER	RUBBER AFR FENDER	1	
	90110	90110-LCD1-E00	SCREW SPECIAL 6x25	SCREW SPECIAL 6x25	4	
	90301	90301-GFY6-C00	NUT (HEX) CAP 8MM	NUT (HEX) CAP 8MM	1	
	94101	94101-06700	WASHER PLAIN 6MM (K)	WASHER PLAIN 6MM (K)	1	
	95701	95701-06020-07	BLOT FLANGE 6*16 (C)	BLOT FLANGE 6*16 (C)	3	
	95801-08035	95801-08035-07	BOLT FLANGE 8*35	BOLT FLANGE 8*35	1	
	95801-08050	95801-08050-07	BOLT FLANGE 8*50 (K)	BOLT FLANGE 8*50 (K)	1	
	96001	96001-06008-07	BOLT FLANGE SH 6*8 (K)	BOLT FLANGE SH 6*8 (K)	1	



Sales mark	Ref no	Part no	Description	Reg description	Regd no	F16
	28300	28300-LHB3-E10	ARM ASSY KICK STARTER	ARM ASSY KICK STARTER	1	
	50500	50500-LKD1-E10	STAND COMP MAIN	STAND COMP MAIN	1	
	50502	50502-LDF7-C00	"COLLAR,MAIN STAND"	"COLLAR,MAIN STAND"	1	
	50505	50505-LKD1-E10	STOPPER RUBBER	STOPPER RUBBER	1	
	50510	50510-LKD1-E10	HANGER STAND COMP	HANGER STAND COMP	1	
	50530	50530-LFC2-E10	BAR SIDE STAND	BAR SIDE STAND	1	
	50531	50531-KEB7-C00	PLATE SPRING STOPPER	PLATE SPRING STOPPER	1	
	50535	50535-KEB7-W10	SPRING COMP SIDE STAND	SPRING COMP SIDE STAND	1	
	50550	50550-KEB7-C00	SPG ASSY MAIN STAND	SPG ASSY MAIN STAND	1	
	90108	90108-KFA6-E00	SCREW SIDE STAND PIVOT	SCREW SIDE STAND PIVOT	1	
	94050	94050-08080	NUT FLANGE 8MM	NUT FLANGE 8MM	3	
	95701-06022	95701-06022-07	BOLT FLANGE 6*22	BOLT FLANGE 6*22	1	
	95701-08038	95701-08038-08	BOLT FLANGE 8*38 (C)	BOLT FLANGE 8*38 (C)	3	
	95801	95801-10025-08	BOLT FLANGE 10*25C	BOLT FLANGE 10*25C	2	

F17

Rear Cushion



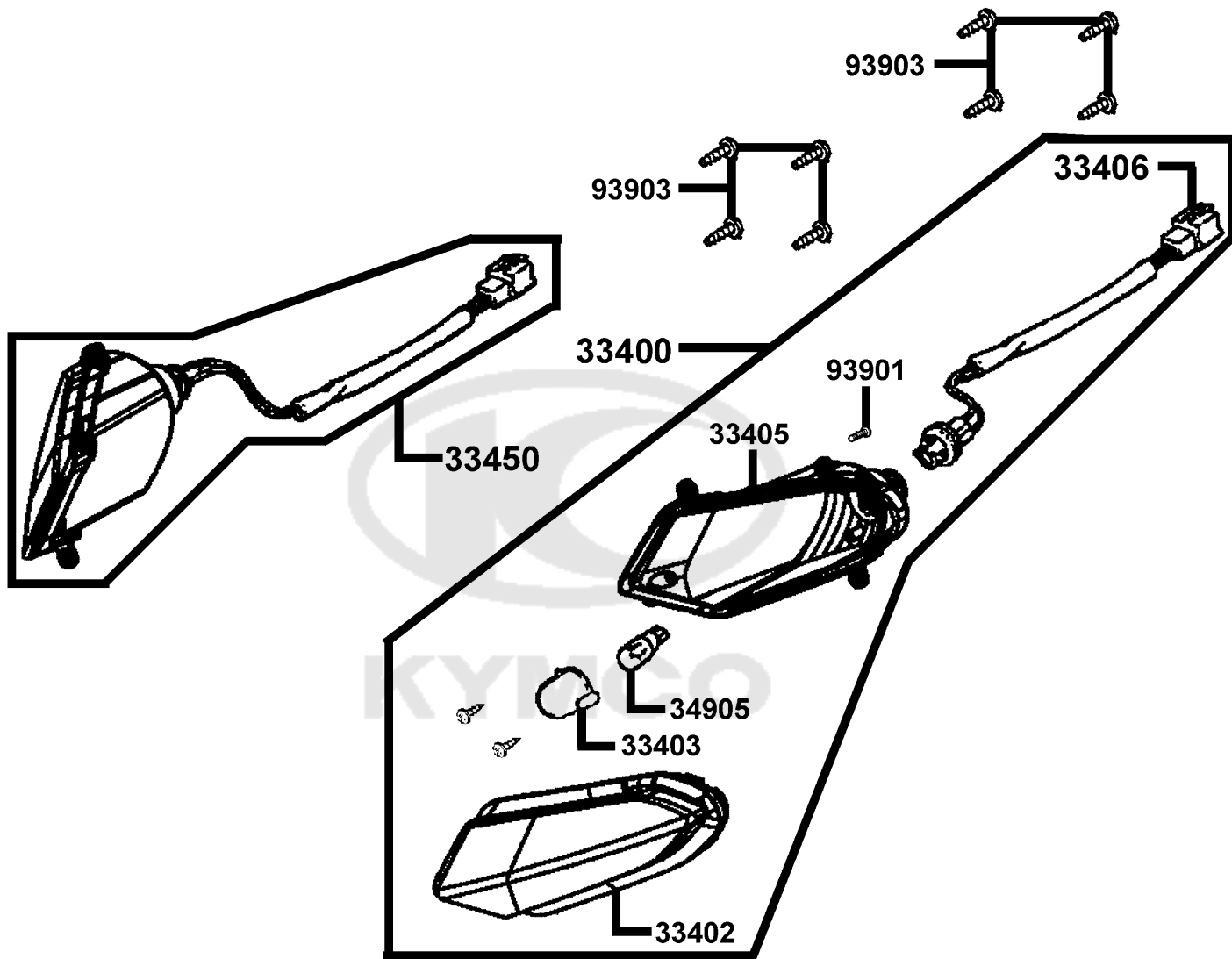
Sales mark	Ref no	Part no	Description	Reg description	Regd no	F17
------------	--------	---------	-------------	-----------------	---------	------------

**	52400	52400-LKD1-E10	CUSHION ASSY RR	CUSHION ASSY RR	1	
	95801-08040	95801-08040-08	BOLT FLANGE 8*40 (C)	BOLT FLANGE 8*40 (C)	1	
	95801-10035	95801-10035-08	BOLT FLANGE 10*35 (C)	BOLT FLANGE 10*35 (C)	1	



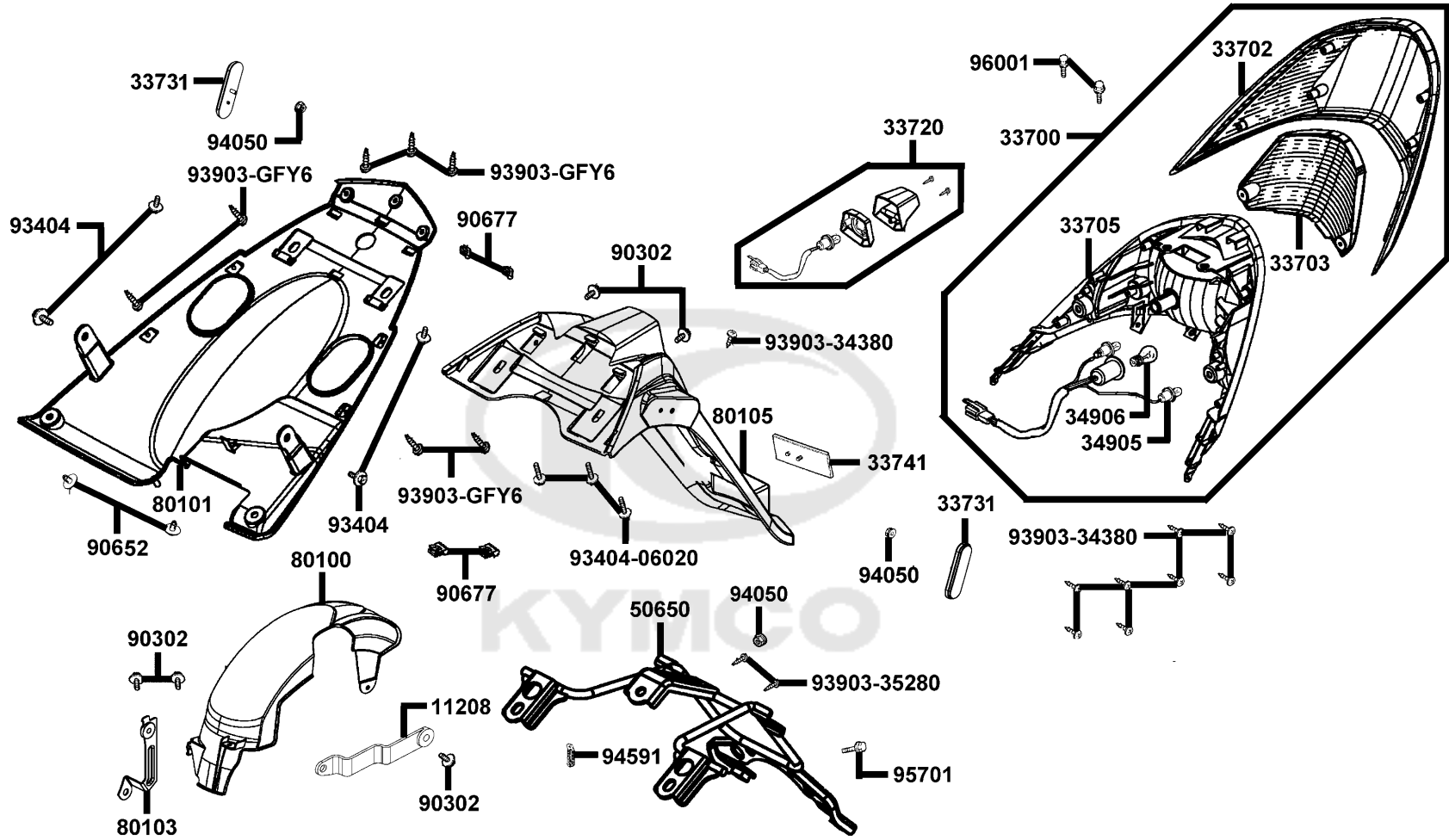
F18

Front Winker

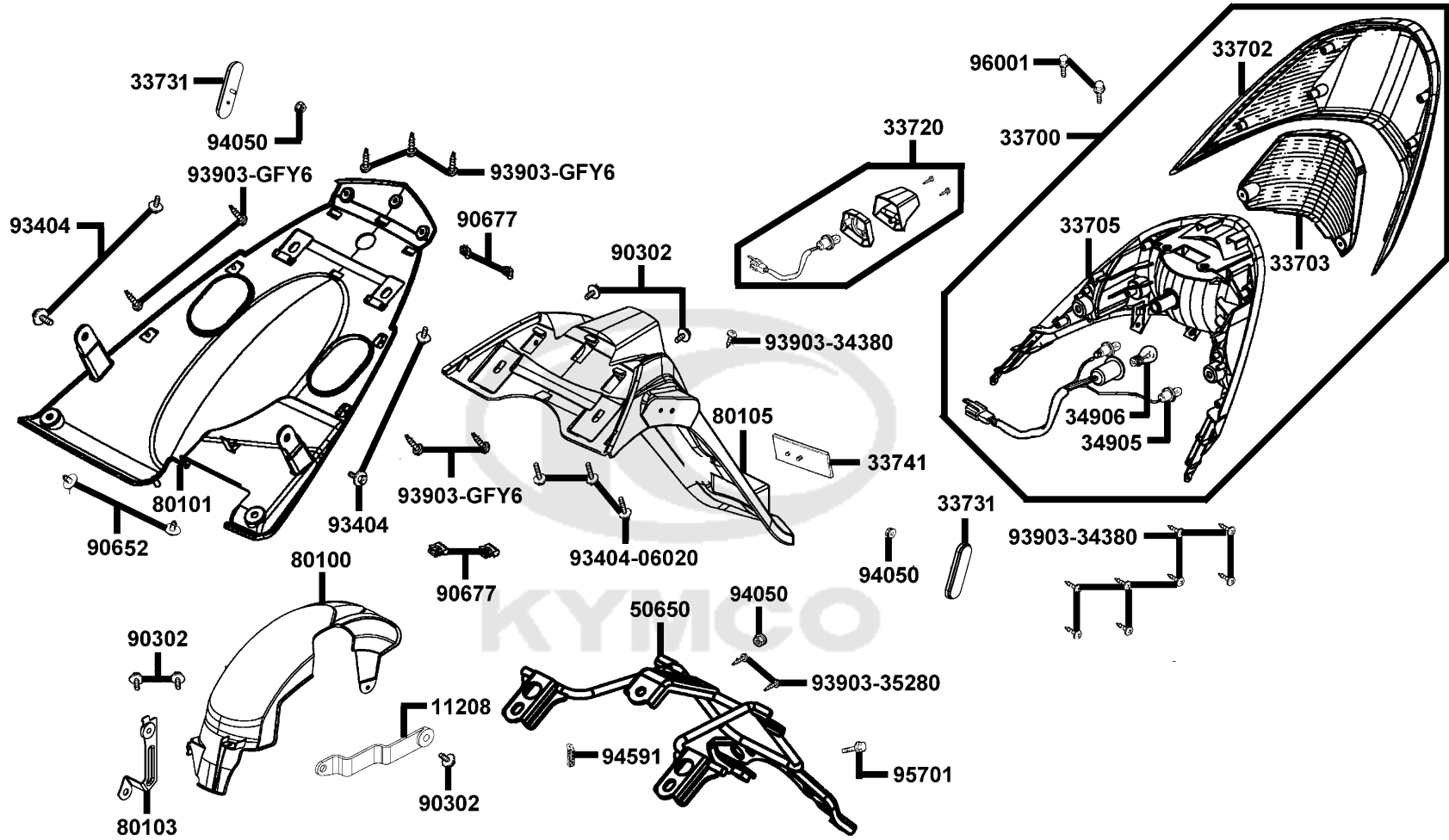



Sales mark	Ref no	Part no	Description	Reg description	Regd no	F18
	33400	33400-LFC2-E10	WINKER ASSY RH FR	WINKER ASSY RH FR	1	
	33402	33402-LFC2-E10	LENS R FR WINKER	LENS R FR WINKER	1	
	33403	33403-LFC2-E10	"INNER LENS,R FR. WINKER"	"INNER LENS,R FR. WINKER"	1	
	33405	33405-LFC2-E10	BASE R FR WINKER	BASE R FR WINKER	1	
	33406	33406-LFC2-E10	SOCKET COMP R FR WINKER	SOCKET COMP R FR WINKER	1	
	33450	33450-LFC2-E10	WINKER ASSY LH FR	WINKER ASSY LH FR	1	
	34905	34905-LBA8-E80	BULB RR WINKER	BULB RR WINKER	1	
	93901-34220	93901-34220	SCREW TAPPING 4*10 (C)	SCREW TAPPING 4*10 (C)	1	
	93903	93903-34380	BOLT FLANGE	BOLT FLANGE	8	

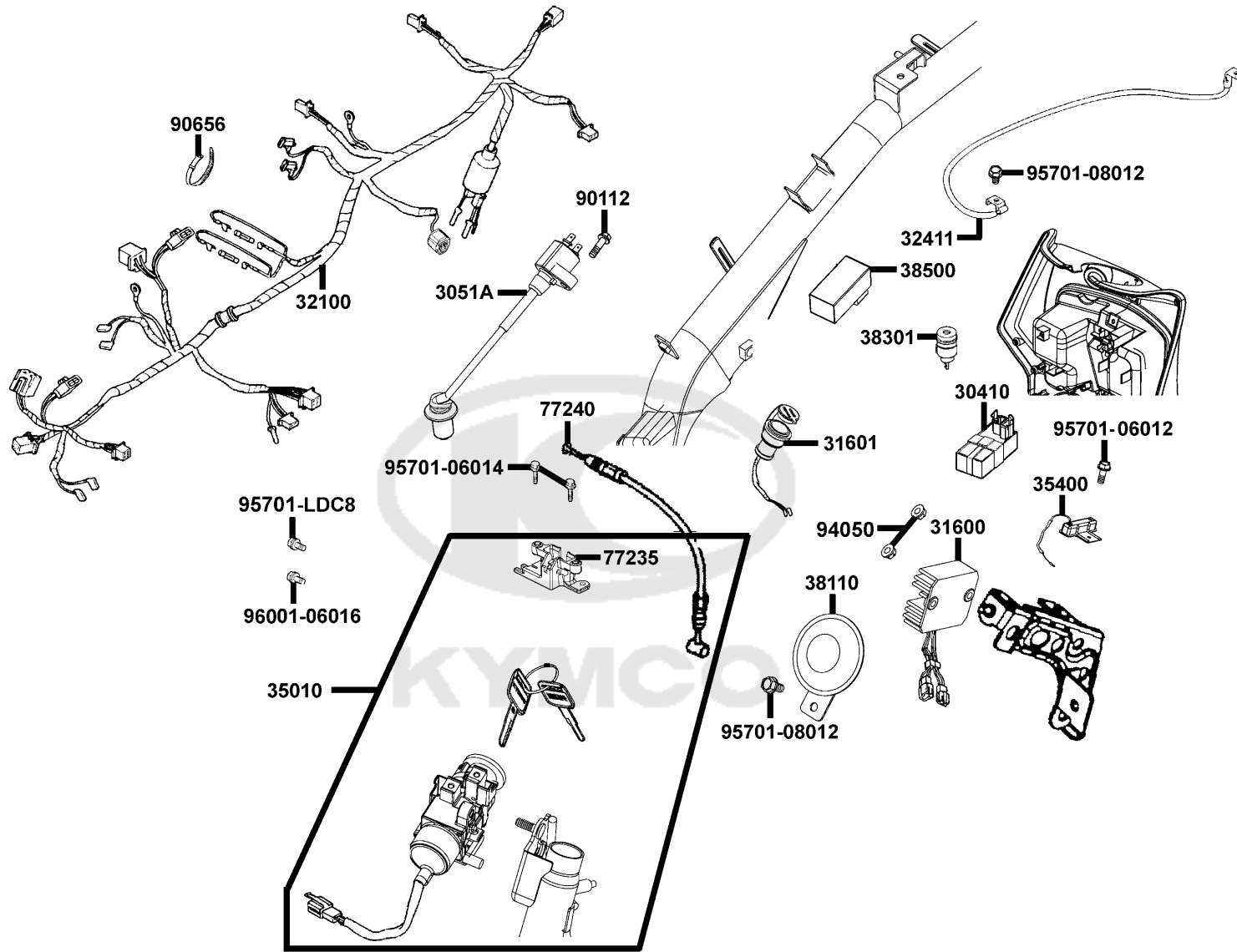




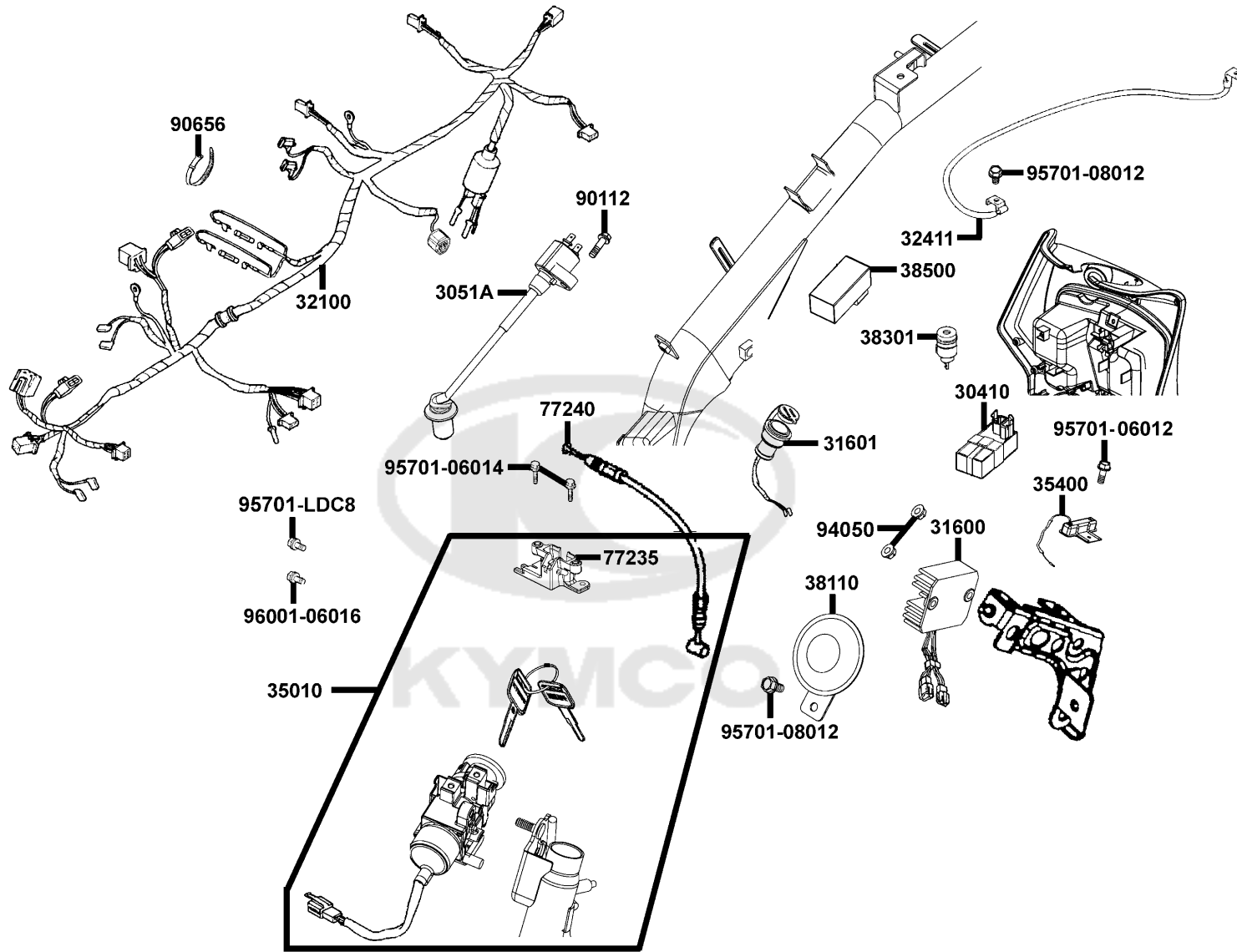
Sales mark	Ref no	Part no	Description	Reg description	Regd no	F19
	11208	11208-LHB3-E10	"STAY B, RR FENDER"	"STAY B, RR FENDER"	1	
	33700	33700-LFC2-E10	LIGHT ASSY RR COMB	LIGHT ASSY RR COMB	1	
	33702	33702-LFC2-E10	LENS TAIL LIGHT	LENS TAIL LIGHT	1	
	33703	33703-LFC2-E10	LENS TAIL LIGHTRED	LENS TAIL LIGHTRED	1	
	33705	33705-LFC2-E10	BASE RR COMP	BASE RR COMP	1	
	33720	33720-LEJ2-E10	LIGHT ASSY LICENSE	LIGHT ASSY LICENSE	1	
	33731	33731-KGB5-C00	REFLEX REFLECTOR SIDE	REFLEX REFLECTOR SIDE	1	
	33741	33741-KEBE-C00	REFLEX REFLECTOR	REFLEX REFLECTOR	1	
	34905	34905-LCA5-E00	BULB WINKER	BULB WINKER	2	
	34906	34906-KPCP-900	BULB TAIL & STOP	BULB TAIL & STOP	1	
	50650	50650-LFC2-E10	STAY RR. FENDER	STAY RR. FENDER	1	
**	80100	80100-LKD1-E10	FENDER RR TIRE	FENDER RR TIRE	1	
**	80101	80101-LFC3-E10	FENDER RR INNER	FENDER RR INNER	1	
	80103	80103-LCD1-C00	STAY B RR TIRE FENDER	STAY B RR TIRE FENDER	1	
**	80105	80105-LFC2-E10	FENDER REAR	FENDER REAR	1	
	90302	90302-GFY6-C10	BOLT-WASH 5*16	BOLT-WASH 5*16	1	
	90652	90652-LCA4-C10	CLIP MUDGUARD	CLIP MUDGUARD	1	
	90677	90677-GAR1-C00	NUT CLIP 5MM	NUT CLIP 5MM	1	
	93404-06012	93404-06012-07	BOLT WASHER 6*12(K)	BOLT WASHER 6*12(K)	4	
	93404-06020	93404-06020-07	BOLT WASHER 6*20(K)	BOLT WASHER 6*20(K)	3	



Sales mark	Ref no	Part no	Description	Reg description	Regd no	F19
	93903-34380	93903-34380	BOLT FLANGE	BOLT FLANGE	9	
	93903-35280	93903-35280	SCREW TAPPING 5*12 (K)	SCREW TAPPING 5*12 (K)	2	
	93903-GFY6	93903-GFY6-C00	SCREW TAPPING 4*14	SCREW TAPPING 4*14	1	
	94050	94050-05080	NUT FLANGE 5MM	NUT FLANGE 5MM	3	
	94591	94591-25000	CLIP BIND	CLIP BIND	1	
	95701	95701-06016-07	BOLT FLANGE 6*16(K)	BOLT FLANGE 6*16(K)	2	
	96001	96001-06012-08	BOLT FLANGE 6*12	BOLT FLANGE 6*12	2	
						



Sales mark	Ref no	Part no	Description	Reg description	Regd no	F20
	30410	30410-LHB3-E10	UNIT COMP CDI	UNIT COMP CDI	1	
	3051A	3051A-KELE-C00	COIL ASSY IGN	COIL ASSY IGN	1	
	31600	31600-LFC2-E10	REG REC COMP DC	REG REC COMP DC	1	
	31601	31601-LFC2-E10	SOCKET COMP DC 12V	SOCKET COMP DC 12V	1	
	32100	32100-LKD1-E10	HARNESS WIRE	HARNESS WIRE	1	
	32411	32411-LEJ3-E11	CABLE BAT	CABLE BAT	1	
	35010	35010-LKD2-E10	KEY SET	KEY SET	1	
	35400	35400-LHB3-E10	RESISTOR COMP	RESISTOR COMP	1	
	38110	38110-KGC4-B50	HORN COMP	HORN COMP	1	
	38301	38301-GGS7-C00	RELAY COMP AP WINKER	RELAY COMP AP WINKER	1	
	38500	38500-KKDK-C00	RELAY ASSY START	RELAY ASSY START	1	
	77235	77235-KGC4-C00	SEAT CATCH	SEAT CATCH	1	
	77240	77240-LFC2-E10	"CABLE,SEAT LOCK"	"CABLE,SEAT LOCK"	1	
	90112	90112-KRDR-C00	BOLT FLANGE 5*22	BOLT FLANGE 5*22	1	
	90656	90656-KUDU-900	BAND HARNESS WIRE	BAND HARNESS WIRE	1	
	94050	94050-06080	NUT FLANG 6MM	NUT FLANG 6MM	2	
	95701-06012	95701-06012-08	BOLT FLANGE 6*12	BOLT FLANGE 6*12	1	
	95701-06014	95701-06014-08	BOLT FLANGE 6*14 (C)	BOLT FLANGE 6*14 (C)	2	
	95701-08012	95701-08012-08	BOLT FLANGE 8*12 (C)	BOLT FLANGE 8*12 (C)	2	
	95701-LDC8	95701-LDC8-E10	BOLT TORQUE 6*16	BOLT TORQUE 6*16	1	



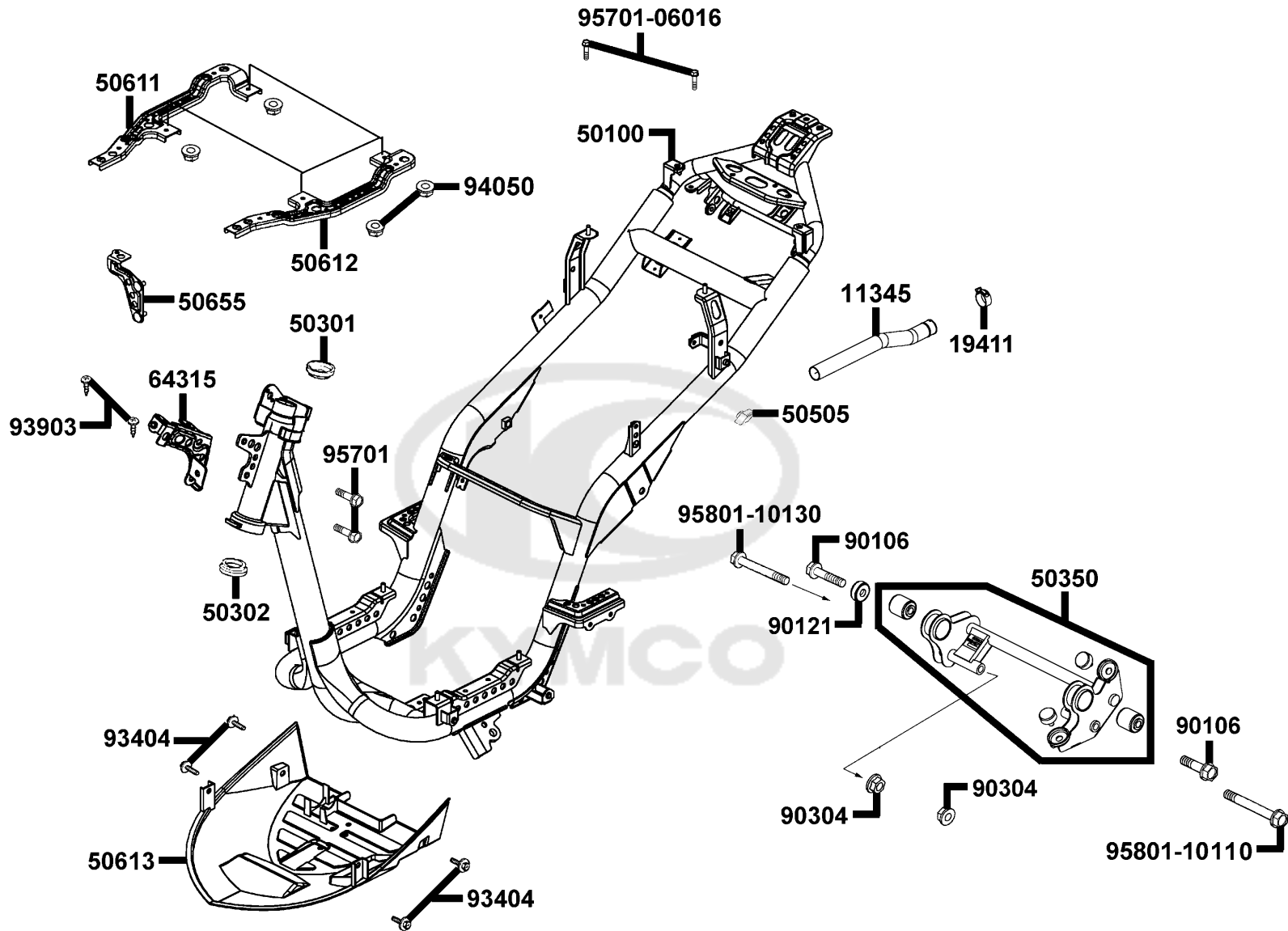
Sales mark	Ref no	Part no	Description	Reg description	Regd no	F20
------------	--------	---------	-------------	-----------------	---------	------------

96001	96001-06016-08	96001-06016-08	BOLT FLANGE SH 6*16(C)	BOLT FLANGE SH 6*16(C)	1	
-------	----------------	----------------	------------------------	------------------------	---	--



F21

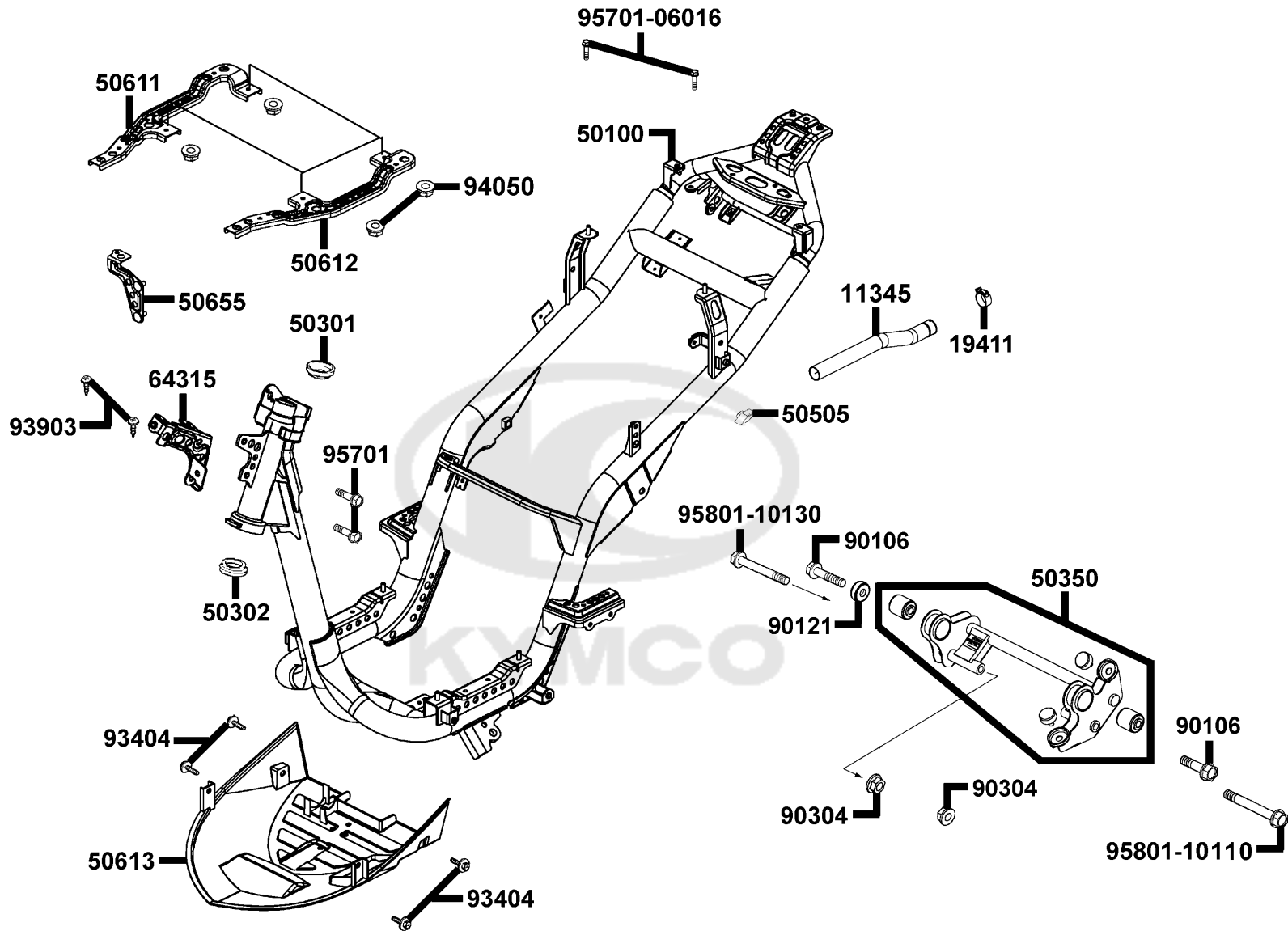
Frame Body



Sales mark	Ref no	Part no	Description	Reg description	Regd no	F21
	11345	11345-LHB3-E10	DUCT L COVER	DUCT L COVER	1	
	19411	19411-KNBN-C10	CLIP HOSE	CLIP HOSE	1	
	50100	50100-LKD1-E10	BODY COMP FRAME	BODY COMP FRAME	1	
	50301	50301-KGN7-C00	RACE UPPER STRG BALL	RACE UPPER STRG BALL	1	
	50302	50302-2H68-C00	RACE (STRG BOT) BALL	RACE (STRG BOT) BALL	1	
	50350	50350-LKD1-E10	ENG HANGER ASSY	ENG HANGER ASSY	1	
	50505	50505-LDC8-E10	STOPPER RUBBER	STOPPER RUBBER	1	
	50611	50611-LFC2-E10	RNFCT R FLOOR	RNFCT R FLOOR	1	
	50612	50612-LFC2-E10	RNFCT L FLOOR	RNFCT L FLOOR	1	
**	50613	50613-LFC2-E10	COVER UNDER	COVER UNDER	1	
	50655	50655-LFC2-E10	STAY REG REC	STAY REG REC	1	
	64315	64315-LFC2-E10	STAY FR COVER	STAY FR COVER	1	
	90106	90106-LGB6-E10	BOLT FLANGE 10*55	BOLT FLANGE 10*55	2	
	90121	90121-GFY6-C00	COLLAR DISTANCE	COLLAR DISTANCE	1	
	90304	90304-GHE8-C00	NUT U 10MM (C)	NUT U 10MM (C)	1	
	93404	93404-06012-07	BOLT WASHER 6*12(K)	BOLT WASHER 6*12(K)	4	
	93903	93903-35280	SCREW TAPPING 5*12 (K)	SCREW TAPPING 5*12 (K)	2	
	94050	94050-06080	NUT FLANG 6MM	NUT FLANG 6MM	4	
	95701-06016	95701-06016-08	BOLT FLANGE 6*16 (C)	BOLT FLANGE 6*16 (C)	2	
	95701-08028	95701-08028-08	BOLT FLANGE 8*28	BOLT FLANGE 8*28	2	

F21

Frame Body



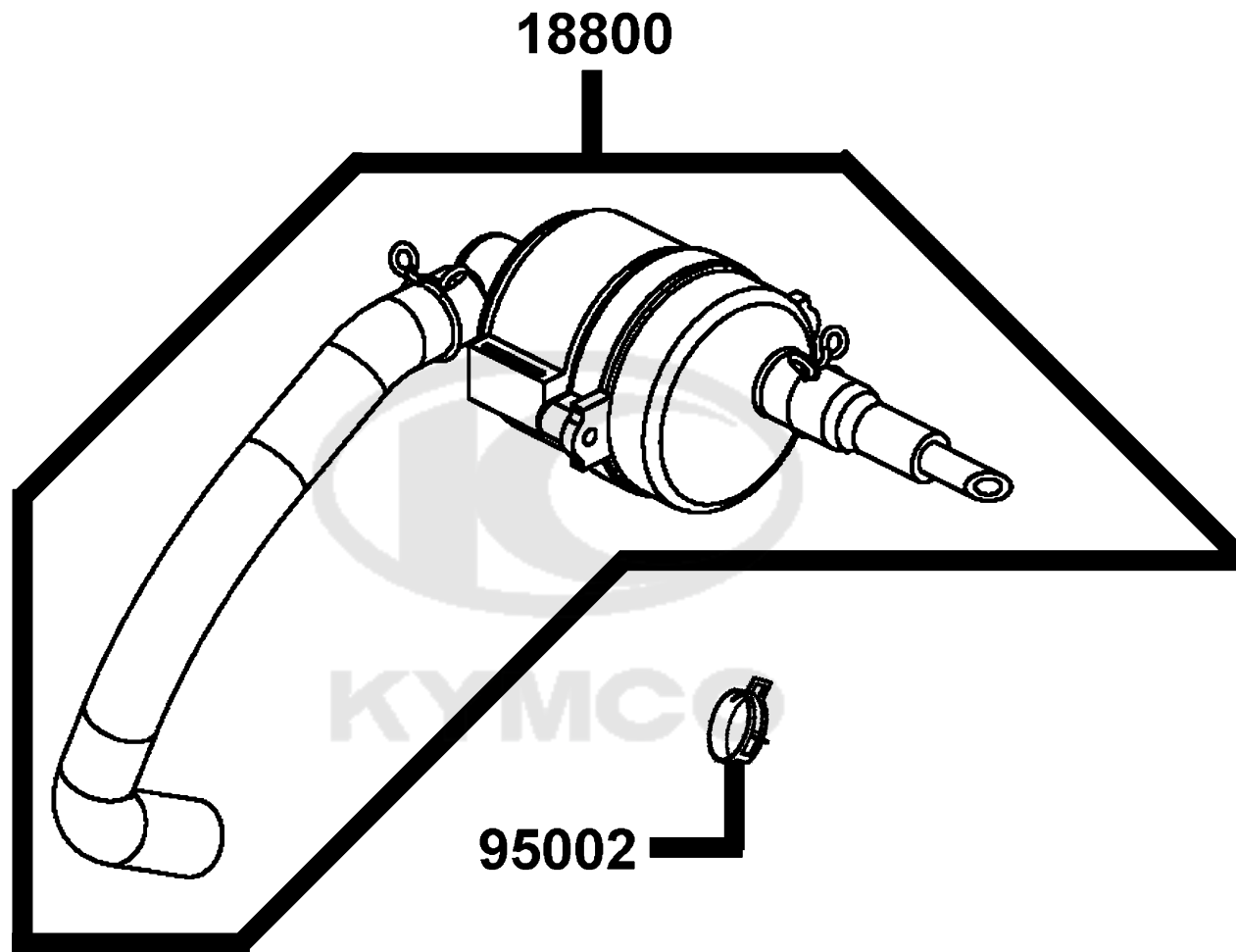
Sales mark	Ref no	Part no	Description	Reg description	Regd no	F21
------------	--------	---------	-------------	-----------------	---------	------------

95801-10110		95801-10110-08	BOLT FLANGE 10*110	BOLT FLANGE 10*110	1	
95801-10130		95801-10130-08	BOLT FLANGE 10*130	BOLT FLANGE 10*130	1	



F22

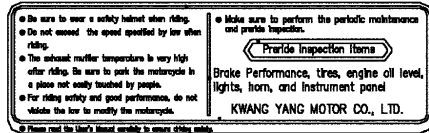
Air Cleaner Two



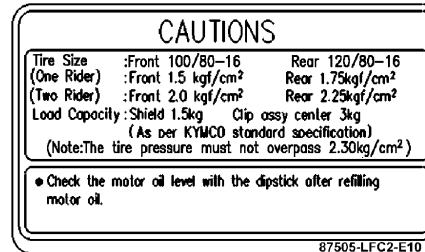
Sales mark	Ref no	Part no	Description	Reg description	Regd no	F22
------------	--------	---------	-------------	-----------------	---------	------------

18800		18800-LKD1-E10	AI CLEANER ASSY	AI CLEANER ASSY	1	
95002		95002-KKD6-C00	CLAMP D18 TUBE	CLAMP D18 TUBE	1	

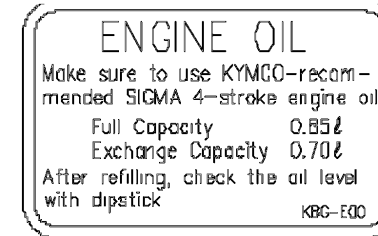




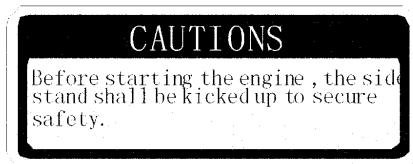
87560



87505



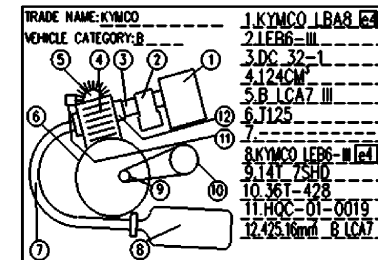
87541-KGBG



87541-GAR1



87542



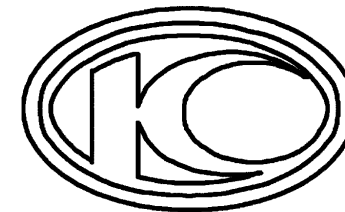
87224

AGILITY 50

86202

2T

87140



86102

Sales mark	Ref no	Part no	Description	Reg description	Regd no	F23
**	86102	86102-LEJ2-E00	STRIPE K-LOGO 22MM	STRIPE K-LOGO 22MM	1	
**	86202	86202-LKD1-E10	EMB BODY COVER	EMB BODY COVER	1	
**	87140	87140-LKD1-E10	EMB MARK 2T	EMB MARK 2T	1	
**	87224	87224-LKD1-EZ0	CAUTION ANTI TAMPERING	CAUTION ANTI TAMPERING	1	
**	87505	87505-LFC2-E10	LABEL TIRE	LABEL TIRE	1	
**	87541-GAR1	87541-GAR1-C01	MARK MAINT CAUTION L	MARK MAINT CAUTION L	1	
	87541-KGBG	87541-KGBG-E00	LABEL OIL CAP	LABEL OIL CAP	1	
**	87542	87542-GAR1-E01	MARK MAINT CAUTION	MARK MAINT CAUTION	1	
**	87560	87560-KNBN-E01	MARK DRIVE CAUTION	MARK DRIVE CAUTION	1	



PART NO. INDEX

PART NO.	VERSION	PAGE	PART NO.	VERSION	PAGE	PART NO.	VERSION	PAGE
1000			4000			12251-KEB7-C00	0	E02
1001-GC8H-0351	0	E11	4000-077-0000	0	E11	13000		
1010-GAKH-9200	0	E11				1300A-GKAK-C00	0	E10
1014-GAKH-9100	0	E11	11000			13011-GLW0-C00	0	E10
1019-GW3H-9800	0	E11				13101-GLW0-901	2	E10
1020-GAKH-9300	0	E11	11100-LKD1-E10	0	E09	13111-1F66-C00	0	E10
1031-181H-8310	0	E11	11102-1G87-C00	1	E09	13115-1F56-C00	0	E10
1034-153H-9901	0	E11	11108-KEB7-C00	0	E03			
103J-073H-9900-SB00	0	E11	11200-LKD1-E10	0	E09	14000		
105B-KBNH-9000	0	E11	11203-GGC7-W10	2	E09			
106B-KG8H-9804	0	E11	11203-KUDU-C00	0	E08	14100-KEB7-C00	0	E09
1300-GW0H-9000	0	E11	11205-GHAH-C00	0	E09			
1300-GW3H-Q800	0	E11	11205-LFC2-E10	0	E09	15000		
1300-KG8H-9010	0	E11	11208-LHB3-E10	0	F19			
1300-KG8H-Q010	0	E11	11341-KFA6-900	0	E05	15100-KEB7-E00	0	E09
1703-GJ2H-0040	0	E11	11345-LHB3-E10	0	F21	15110-KEB7-C00	0	E09
1782-KG8H-9010	0	E11	11395-KFA6-C00	0	E05	1551A-LCD1-C00	0	E09
1785-KBNH-9000-SB00	0	E11	11396-KFA6-C00	0	E05			
1793-144H-9900	0	E11				16000		
1795-KG8H-9010	0	E11	12000					
1799-KBNH-9000	0	E11				16075-KG8-9010-M1	0	E11
			12101-KEB7-C00	0	E02	16076-KG8-9010-M1	0	E11
			12191-KEB7-C00	0	E02	16076-ND5-0040	0	E11
			12201-KEB7-C00	0	E02	1610K-KFA6-E05	1	E11

PART NO. INDEX

PART NO.	VERSION	PAGE	PART NO.	VERSION	PAGE	PART NO.	VERSION	PAGE
16152-KG8-9010-M1	0	E11	18291-LHB3-E10	0	F15	22102-KEB7-C00	0	E06
16162-KG8-9010-M1	0	E11	18292-KEBE-C00	0	F15	22103-KEB7-C00	0	E06
1621A-GKAK-C00	0	E09	18293-KECE-C00	0	F15	22105-KEB7-C00	0	E06
16620-KEB7-E00	1	E11	18294-KEBE-C00	0	F15	22110-LDC8-E10	2	E06
1691A-LEJ2-E10	0	F10	18295-KECE-900	0	F15	22121-GLW0-C00	2	E06
16950-LCA3-B50	1	F10	1830A-LKD1-E10	1	F15	22131-GHAH-C00	0	E06
			18318-LHB3-E10	0	F15	22132-GLW0-C00	0	E06
17000			18341-LHB3-E10	0	F15	22300-KXCX-900	2	E07
			1860A-KFB5-C00	0	F15	22350-GKAK-C00	0	E07
17100-KEB7-901	1	E09	18800-LKD1-E10	1	F22	22401-GBG2-C00	0	E07
17111-KEB7-C00	0	E09				22530-GKAK-C00	1	E07
17112-KEB7-C00	0	E09	19000			22804-1H48-C00	0	E07
17200-LCD1-C00	0	F14						
17205-KFA6-C00	0	F14	19411-KNBN-C10	1	F21	23000		
1723A-LCD1-C00	0	F14	19510-GBW2-C00	1	E03			
1723B-LCD1-C00	0	F14	19600-KEB7-C00	0	E01	2301A-KEB7-C00	0	E07
17500-LEJ2-E10	5	F10	1962A-KEB7-C10	0	E01	23100-KEB7-C00	0	E07
17502-1G87-001	0	F12				23200-GAR1-C00	0	E07
17620-LBA8-C10	0	F10	21000			23220-GKAK-C00	0	E07
17683-LKD1-E10	0	F10				23225-GAR1-C00	0	E07
17684-LKD1-E10	0	F10	21200-KFA6-900	0	E08	23233-GHE8-001	2	E07
17910-LKD1-E10	1	F03	21395-KFA6-C00	0	E08	23237-GAR1-C00	0	E07
						23238-GGS7-C00	0	E07
18000			22000			23411-KFA6-C00	0	E08
						23420-KFA6-C00	0	E08
18291-KKC4-C00	0	F15	22100-GAR1-751	0	E07	23432-KFA6-C00	0	E08

PART NO. INDEX

PART NO.	VERSION	PAGE	PART NO.	VERSION	PAGE	PART NO.	VERSION	PAGE
2343A-KNBN-C00	0	E08	31601-LFC2-E10	1	F20	34000		
28000			32000					
28211-KEB7-W10	0	E06	32100-LKD1-E10	1	F20	34901-LDC8-E10	1	F01
2823A-GKAK-W10	1	E06	32105-LHB3-E10	1	E04	34903-LDC8-E10	1	F01
28250-KCCC-C00	0	E06	32411-LEJ3-E11	0	F20	34905-LBA8-E80	1	F18
28253-GBN2-C00	1	E06				34905-LCA5-E00	0	F19
28255-GFS6-C00	1	E06	33000			34906-KPCP-900	0	F19
28281-GBN2-60A	1	E06				34908-GGA7-C00	0	F02
28300-LHB3-E10	3	F16	33100-LFC2-E10	1	F01	34908-MKB9-C00	0	F02
30000			33108-LFC2-E10	0	F01	35000		
			33400-LFC2-E10	1	F18			
			33402-LFC2-E10	1	F18	35010-LKD2-E10	0	F20
30410-LHB3-E10	1	F20	33403-LFC2-E10	0	F18	35151-LGB5-E10	1	F03
3051A-KELE-C00	0	F20	33405-LFC2-E10	0	F18	35152-LGB5-E10	0	F03
31000			33406-LFC2-E10	0	F18	3515A-LGB5-E10	3	F03
			33450-LFC2-E10	1	F18	35201-LGB5-E10	1	F03
			33700-LFC2-E10	1	F19	35202-LGB5-E10	0	F03
31100-LHB3-E10	0	E03	33702-LFC2-E10	1	F19	3520A-LGB5-E10	3	F03
31110-KEB7-90A	2	E03	33703-LFC2-E10	1	F19	35340-KKJ9-C00	0	F03
31120-LHB3-E10	1	E03	33705-LFC2-E10	1	F19	35340-KNBN-901	1	F04
31200-LHM9-E10	0	E04	33720-LEJ2-E10	0	F19	35400-LHB3-E10	0	F20
31209-GKAK-C00	0	E04	33731-KGB5-C00	2	F19	35410-LHB3-E10	0	F12
31500-GFY6-C00	1	F11	33741-KEBE-C00	0	F19			
31600-LFC2-E10	1	F20						

PART NO. INDEX

PART NO.	VERSION	PAGE	PART NO.	VERSION	PAGE	PART NO.	VERSION	PAGE
37000			43000			45121-LFC2-E80	0	F07
37200-LKD1-E10	1	F02	4312A-KUDU-C00	1	F08	45126-LFC2-E10	1	F04
37211-LFC2-E10	1	F02	43141-LCD3-E00	2	F08	45156-KNBN-C00	1	F06
37213-LFC2-E10	0	F02	4314A-LCD3-E00	2	F08	45156-LCB9-B20	0	F06
37215-LFC2-E10	0	F02	43410-KFA6-900	1	F08	45200-LFC2-E10	1	F04
37224-LKD1-E10	1	F02	43450-LKD1-E10	3	F03	4550A-LFC2-E1A	1	F04
37280-LEJ2-E0A	0	F02	43452-GKAK-C00	0	F03	4550B-LFC2-E10	4	F04
37802-GGA7-C00	1	F10	43472-KHG8-C00	0	F03	45513-KCCC-900	0	F04
3780A-LEJ2-E10	0	F10				45517-GFY6-900	5	F03
			44000			45517-KFAF-910	1	F04
38000						50000		
38110-KGC4-B50	2	F20	44301-LEJ2-E10	4	F07	50100-LKD1-E10	0	F21
38301-GGS7-C00	3	F20	44311-LFC2-E10	2	F07	50301-KGN7-C00	2	F21
38500-KKDK-C00	5	F20	44600-LFC3-E81	2	F07	50302-2H68-C00	2	F21
			44601-LFC2-E10	2	F07	50306-1F96-C00	1	F06
			44620-KFLF-C00	1	F07	50326-LFC2-E10	1	F13
42000			44680-4L10-C00	0	F07	50350-LKD1-E10	0	F21
42600-LKD1-E11	0	F08	44710-LFC3-E11	0	F07	50500-LKD1-E10	1	F16
42601-LFC2-E10	0	F08	44800-LKD1-E10	1	F07	50502-LDF7-C00	1	F16
42601-LFC2-E10	1	F08	44830-LCD3-C00	0	F02	50505-LDC8-E10	2	F21
42710-LKD1-E11	0	F08				50505-LKD1-E10	1	F16
42753-0A01-C00	1	F07	45000			50510-LKD1-E10	0	F16
			45105-LFC2-305	0	F04	50530-LFC2-E10	3	F16
						50531-KEB7-C00	1	F16

PART NO. INDEX

PART NO.	VERSION	PAGE	PART NO.	VERSION	PAGE	PART NO.	VERSION	PAGE
50535-KEB7-W10	3	F16				55121-LCD1-C00	0	F12
50550-KEB7-C00	1	F16	53000			55200-LCD1-C00	0	E09
50611-LFC2-E10	2	F21				61000		
50612-LFC2-E10	1	F21	53100-LFC3-E10	3	F03			
50613-LFC2-E10	1	F21	53102-LFC3-E10	2	F03			
50650-LFC2-E10	3	F19	53105-LFC3-E10	2	F03	61100-LFC2-E10	1	F06
50655-LFC2-E10	2	F21	53125-GEN5-C00	1	F03	61110-LFC2-E10	0	F06
51000			53140-LEJ2-E10	0	F03	64000		
			53166-LEJ2-E10	0	F03			
			53172-KTCT-C00	0	F03			
51400-LFC3-E10	0	F06	53175-KTCT-C00	0	F04	64210-LFC2-E10	1	F03
51401-LFC3-E10	0	F06	53178-LFC2-E10	0	F03	64211-LFC2-E10	1	F03
51410-LEJ2-E10	0	F06	5317B-LFC2-E10	0	F03	64301-LFC2-E10	2	F05
51412-LEJ2-E10	0	F06	53200-LFC2-E10	1	F06	64302-LFC2-E10	1	F05
51422-LEJ2-E10	0	F06	53204-LFC2-E10	1	F03	64303-LFC2-E10	1	F05
51427-LEJ2-E10	0	F06	53205-LFC2-E10	1	F03	64305-LFC2-E10	1	F05
51428-LEJ2-E10	0	F06	53206-LFC2-E10	1	F03	64306-LFC2-E10	1	F05
51429-LFC3-E10	0	F06	53211-GFY6-C00	1	F06	64307-LFC2-E10	1	F05
51437-LEJ2-E10	0	F06	53212-2L50-C00	1	F06	64308-LFC2-E10	1	F05
51500-LFC3-E10	0	F06	53214-2L50-C00	1	F06	64310-LFC2-E11	0	F05
51520-LEJ2-E10	0	F06	53215-2L50-C00	1	F06	64315-LFC2-E10	3	F21
52000			55000			64316-LCB9-C10	4	F05
						64316-LCB9-C10	4	F13
						64350-LFC2-E11	0	F05
52400-LKD1-E10	0	F17	55100-LKD1-E10	2	F12	64360-LFC2-E11	0	F05
			55106-KEB7-C00	0	F12			

PART NO. INDEX

PART NO.	VERSION	PAGE	PART NO.	VERSION	PAGE	PART NO.	VERSION	PAGE
75000			81000			86000		
75581-6C73-C00	1	F05	81131-LFC2-E10	1	F05	86102-LEJ2-E00	2	F23
			81132-LCB9-C10	0	F05	86202-LKD1-E10	0	F23
77000			81132-LCB9-C10	1	F05			
77200-LFC3-E10	0	F09	81132-LFC2-E10	1	F05	87000		
77232-KCAC-C00	2	F13	81133-KNBN-C00	1	F05	87140-LKD1-E10	1	F23
77235-KGC4-C00	2	F20	81134-KGBG-C00	2	F05	87224-LKD1-EZ0	0	F23
77240-LFC2-E10	5	F20	81134-LFC2-E10	1	F05	87224-LKD1-EZ0	1	F23
			81141-LFC2-E10	1	F05	87505-LFC2-E10	2	F23
80000			81142-KFA6-C00	1	F05	87541-GAR1-C01	0	F23
80100-LKD1-E10	0	F19	81146-LFC2-E10	1	F05	87541-GAR1-C01	1	F23
80101-LFC3-E10	0	F19	81147-LFC2-E10	1	F05	87541-KGBG-E00	0	F23
80101-LFC3-E10	1	F19	81200-LFC2-E10	1	F13	87542-GAR1-E01	2	F23
80102-LCD1-C00	1	E09	81250-LKD1-E10	0	F13	87560-KNBN-E01	0	F23
80103-LCD1-C00	0	F19						
80105-LFC2-E10	0	F19	83000			88000		
80105-LFC2-E10	1	F19	83500-LFC2-E10	1	F13	88110-LEB5-C11	0	F03
80107-KHLH-C00	0	F15	83510-LFC2-E10	1	F13	88120-LEB5-C11	0	F03
80151-LFC2-E10	1	F13	83600-LFC2-E10	1	F13			
			83610-LFC2-E10	1	F13	89000		
			83750-LFC2-E10	1	F13	89010-KGBG-C00	1	F09

PART NO. INDEX

PART NO.	VERSION	PAGE	PART NO.	VERSION	PAGE	PART NO.	VERSION	PAGE
89020-KKC4-900	1	F09	90302-GFY6-C10	0	F06	90683-GAR1-C00	4	F05
90000			90302-GFY6-C10	0	F19	91000		
			90302-LLB1-C00	2	F03			
			90302-SDA4-C00	2	F05			
90001-GKAK-C00	0	E02	90302-SDA4-C00	2	F13	91001-GGA7-C00	0	E07
9000A-KTDT-C00	1	E05	90304-GHE8-C00	1	F03	91001-GLW0-C00	0	E09
90105-KCR3-001	3	F07	90304-GHE8-C00	1	F21	91004-KBN2-C00	0	E08
90106-GEN5-901	1	F03	90305-GHK8-C00	1	F06	91004-KBN2-C00	0	E09
90106-KFAF-900	2	F03	90305-KNBN-C00	1	F08	91004-KNBN-C00	0	E09
90106-LGB6-E10	1	F21	90306-KLF0-C00	0	F07	91006-KNBN-C00	0	E09
90108-KFA6-E00	1	F16	90309-KLF0-C00	0	E08	91009-GLE0-C00	1	E08
90110-GLW0-C00	0	F05	90412-3K29-C00	1	E06	91014-LLJ3-C00	1	F06
90110-KEB7-C00	1	F06	90426-KNBN-C00	1	E06	91015-LLJ3-C00	1	F06
90110-LCD1-E00	2	F15	90429-KNBN-C00	0	E08	91102-GLW0-C00	0	E10
90111-1G87-C00	1	F13	90442-0D44-C00	0	E07	91103-GAR1-C00	0	E07
90112-KRDR-C00	1	F20	90451-GBN2-C00	1	E06	91201-KED1-C00	0	E08
90115-GLE0-C00	0	F03	90454-GBB2-C00	0	E07	91201-KNBN-C00	0	E09
90116-LEJ2-E10	0	F06	90474-3C33-C00	1	E09	91202-KNBN-92A	0	E09
90120-GAR1-J00	0	E09	90501-KNBN-C00	1	F08	91204-KNBN-C00	1	E09
90121-GFY6-C00	1	F21	90544-LEJ2-E10	0	F06	91211-GHK8-C00	0	E07
90131-GLW0-C00	0	F04	90545-3L00-C00	2	F04	91251-LEJ2-E10	0	F06
90145-9A61-C00	1	F04	90652-KTCT-C00	0	F14	91252-0L30-004	0	F07
90202-1G87-C00	0	E07	90652-LCA4-C10	6	F03	91254-LEJ2-E10	0	F06
90301-GFY6-C00	2	F15	90652-LCA4-C10	6	F19	91255-GLE0-C00	0	E08
90301-LEJ2-E10	1	F10	90656-KUDU-900	0	F20	91258-4L10-007	1	F07
90302-GBR2-C00	4	F05	90677-GAR1-C00	1	F19	91301-KEA5-742	0	E07

PART NO. INDEX

PART NO.	VERSION	PAGE	PART NO.	VERSION	PAGE	PART NO.	VERSION	PAGE
91302-PKA9-C00	0	E07	93903-34380	6	F05	94511-14000	1	E06
91352-KHG8-83A	0	F08	93903-34380	6	F13	94520-24000	1	E07
92000			93903-34380	6	F18	94591-25000	0	F19
			93903-34380	6	F19	94591-KFBF-C00	0	E01
			93903-35280	1	F02	94591-KFBF-C00	0	E09
92700-06028-1B	0	E02	93903-35280	1	F03	94591-LGR5-E10	1	F05
93000			93903-35280	1	F19	94608-LEJ2-E10	0	F06
			93903-35280	1	F21	95000		
			93903-GFY6-C00	2	F05			
93404-06012-07	5	F13	93903-GFY6-C00	2	F13	95002-02080	0	E11
93404-06012-07	5	F19	93903-GFY6-C00	2	F19	95002-KKD6-C00	1	F22
93404-06012-07	5	F21	94000			95012-LEJ2-E10	0	F11
93404-06016-07	0	F12				95701-06012-08	3	F03
93404-06020-07	4	F05				95701-06012-08	3	F06
93404-06020-07	4	F19	94001-05080-0S	0	F03	95701-06012-08	3	F10
93404-06025-07	1	F06	94001-12280-0S	0	E06	95701-06012-08	3	F20
93500-05012-0H	0	E09	94050-05080	2	F19	95701-06014-08	0	F20
93700-05018-0H	1	F02	94050-06080	2	E11	95701-06016-07	3	F19
93892-04008-18	0	E11	94050-06080	2	F09	95701-06016-08	1	F21
93892-04014-18	0	E11	94050-06080	2	F20	95701-06020-07	0	F15
93901-34220	0	F18	94050-06080	2	F21	95701-06022-07	1	F16
93903-25220	2	F01	94050-08080	4	F16	95701-06025-08	2	E01
93903-25480	1	F14	94050-10080	1	E03	95701-06032-08	1	F08
93903-34280	0	F05	94050-10080	1	E07	95701-06035-08	1	E09
93903-34320	0	F02	94101-06700	0	F15	95701-06040-08	0	E09
93903-34380	6	F03	94301-10200	2	E09			

PART NO. INDEX

PART NO.	VERSION	PAGE	PART NO.	VERSION	PAGE	PART NO.	VERSION	PAGE
95701-06040-08	0	F14	96001-06025-08	4	E09			
95701-08012-08	2	E09	96001-06032-08	1	E09			
95701-08012-08	2	F20	96001-06045-08	1	E09			
95701-08028-08	0	F21	96001-06055-08	0	E09			
95701-08038-08	0	F16	96100-62033-00	1	E09			
95701-08040-08	3	F13	96120-63010-10	0	F07			
95701-LDC8-E10	0	F20						
95801-08035-07	0	F15	98000					
95801-08040-08	4	F06						
95801-08040-08	4	F17	98076-5871G-00	0	E02			
95801-08050-07	0	F15	98200-10700	2	F11			
95801-10025-08	0	F16						
95801-10035-08	1	F17	99000					
95801-10110-08	X	F21						
95801-10130-08	0	F21	99101-116-0700	0	E11			
96000			K					
96001-06008-07	1	F15	K378-001	0	E11			
96001-06012-08	3	E03	K785-KEB-0300	0	E11			
96001-06012-08	3	F19						
96001-06016-08	6	E03	N					
96001-06016-08	6	F20						
96001-06022-08	2	E03	N350-09E00	0	E11			
96001-06025-06	0	F03	N413-32A00	0	E11			
96001-06025-08	4	E04	N425-2RFMJ	0	E11			