

# PARTS CATALOGUE



## SCOOTERS

KL25BA(GR)

Agility City 125



Release Date : 1899/12/31  
Print Date : 2013/10/18

## ABOUT THIS PARTS LIST

- This parts list is compiled all service parts for model KL25BA(GR).
- Any difference between color chart and motorcycle will be revised according to motorcycle.
- The Mark:
  1. Marking "\*\*\*" must add color code in the end before ordering parts.
  2. Marking "#" are parts with modification, Please find the details from e-Parts system.
- When modification or additions to this parts list are made a revised edition at an appropriate time.



# CONTENTS

● ABOUT THIS PARTS LIST .....	1
● COLOR CHART OF KL25BA(GR) .....	3
● CONTENTS-ENGINE GROUP .....	7
● CONTENTS-FRAME GROUP .....	8
● ENGINE PARTS LIST .....	11
● FRAME PARTS LIST .....	39
● PART NO. INDEX .....	95

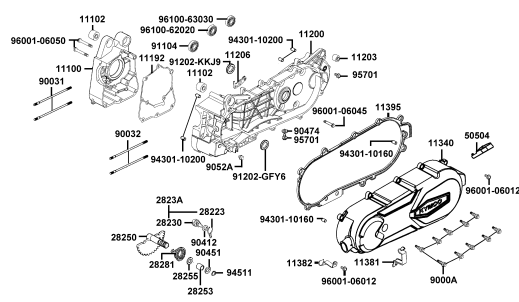
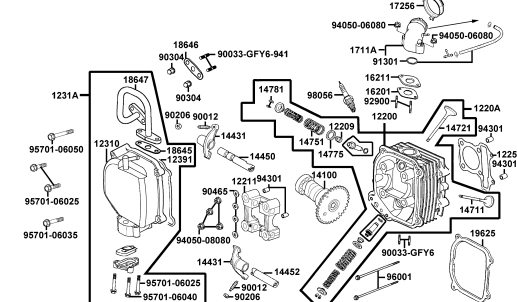
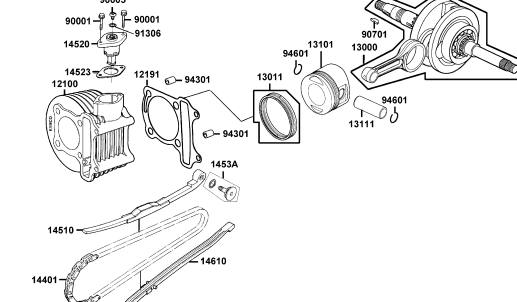
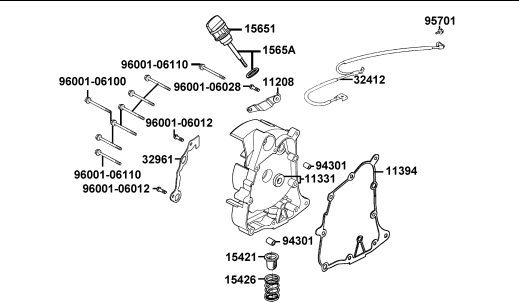
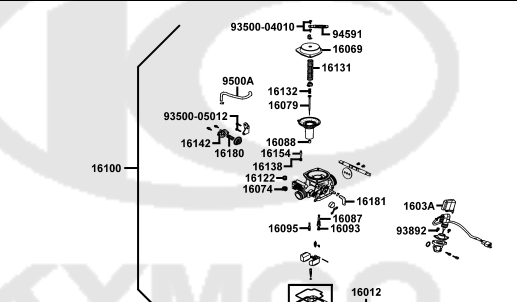
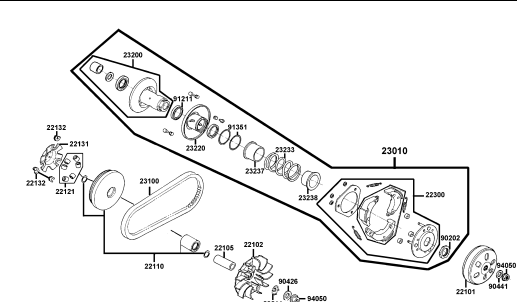
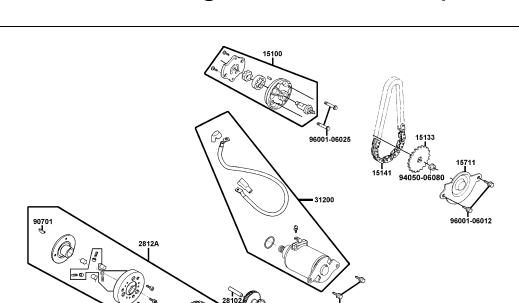
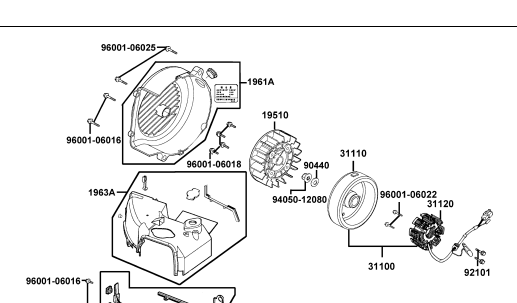
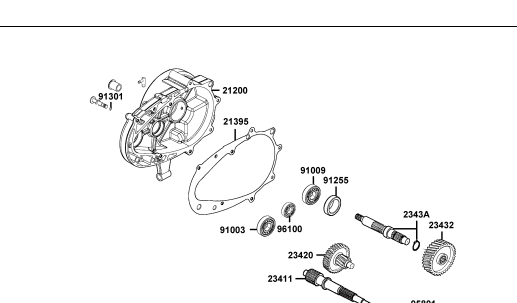
NO	MODEL			COLOR CHART OF KL25BA(GR)			
	PHOTO NO			NO. 1	NO. 2	NO. 3	NO. 4
	BASIC COLOR			Deep Blue			Dark Gray Metallic
	CODE			Deep Blue			Dark Gray Metallic
	PARTS NAME	PARTS NO.	VERSION	PB281MA	PB281MA	NH230MA	NH230MA
1	COVER HANDLE FR	53205-LFC2-E10	1	CAP		HKP	
2	"COVER, FRONT"	64301-LFC2-E10	2				
3	CAP FR COVER	64303-LFC2-E10	1				
4	COVER R BODY	83500-LFC2-E10	1				
5	COVER L BODY	83600-LFC2-E10	1				
6	COVER RR CENTER	83750-LFC2-E10	1				
7	COVER BATTERY	50326-LFC2-E10	1	N1R			
8	COVER UNDER	50613-LFC2-E10	1				
9	COVER METER	53204-LFC2-E10	1				
10	COVER HANDLE RR	53206-LFC2-E10	1				
11	ASSY METER VISOR	64210-LFC2-E10	1				
12	MOLD FRONT	64302-LFC2-E10	1				
13	SKIRT R SIDE	64305-LFC2-E10	1				
14	SKIRT L SIDE	64306-LFC2-E10	1				
15	GRILLE R FR MOLDING	64307-LFC2-E10	1				
16	GRILLE L FR MOLDING	64308-LFC2-E10	1				
17	FLOOR PANEL	64310-LFC2-E11	0				
18	FENDER RR TIRE	80100-LFC3-E10	1				
19	COVER CENTER	80151-LFC2-E10	1				
20	COVER ASSY CENTER	8015A-LFC2-E10	1				
21	LEG SHIELD	81131-LFC2-E10	1				
22	CAP LEG SHIELD UP	81132-LFC2-E10	1				
23	PLATE INNER BOX	81134-LFC2-E10	1				
24	LID INNER BOX	81141-LFC2-E10	1				
25	GRILL R SIDE	83510-LFC2-E10	1				
DATE OF STARTING-SALES							
DATE OF END-SALES							

NO	MODEL			COLOR CHART OF KL25BA(GR)			
	PHOTO NO			NO. 5	NO. 6	NO. 7	NO. 8
	BASIC COLOR			Black		Pearly White	
	CODE			Black		Pearly White	
	PARTS NAME	PARTS NO.	VERSION	NH001SA	NH001SA	NH193PA	NH193PA
1	COVER HANDLE FR	53205-LFC2-E10	1	N1P		NVP	
2	"COVER, FRONT"	64301-LFC2-E10	2				
3	CAP FR COVER	64303-LFC2-E10	1				
4	COVER R BODY	83500-LFC2-E10	1				
5	COVER L BODY	83600-LFC2-E10	1				
6	COVER RR CENTER	83750-LFC2-E10	1				
7	COVER BATTERY	50326-LFC2-E10	1	N1R			
8	COVER UNDER	50613-LFC2-E10	1				
9	COVER METER	53204-LFC2-E10	1				
10	COVER HANDLE RR	53206-LFC2-E10	1				
11	ASSY METER VISOR	64210-LFC2-E10	1				
12	MOLD FRONT	64302-LFC2-E10	1				
13	SKIRT R SIDE	64305-LFC2-E10	1				
14	SKIRT L SIDE	64306-LFC2-E10	1				
15	GRILLE R FR MOLDING	64307-LFC2-E10	1				
16	GRILLE L FR MOLDING	64308-LFC2-E10	1				
17	FLOOR PANEL	64310-LFC2-E11	0				
18	FENDER RR TIRE	80100-LFC3-E10	1				
19	COVER CENTER	80151-LFC2-E10	1				
20	COVER ASSY CENTER	8015A-LFC2-E10	1				
21	LEG SHIELD	81131-LFC2-E10	1				
22	CAP LEG SHIELD UP	81132-LFC2-E10	1				
23	PLATE INNER BOX	81134-LFC2-E10	1				
24	LID INNER BOX	81141-LFC2-E10	1				
25	GRILL R SIDE	83510-LFC2-E10	1				
DATE OF STARTING-SALES							
DATE OF END-SALES							

NO	MODEL			COLOR CHART OF KL25BA(GR)			
	PHOTO NO			NO. 1	NO. 2	NO. 3	NO. 4
	BASIC COLOR			Deep Blue			Dark Gray Metallic
	CODE			Deep Blue			Dark Gray Metallic
	PARTS NAME	PARTS NO.	VERSION	PB281MA	PB281MA	NH230MA	NH230MA
26	GRILL L SIDE	83610-LFC2-E10	1	N1R			
27	CUSHION ASSY RR	52400-LFC3-E10	2	N1S			
28	"COVER, LEFT"	11340-LEJ3-E11	0				
29	WHEEL COMP RR CAST	42601-LFC3-E10	1	NEA			
30	LEVER L STRG HANDLE	53178-KNBN-C00	0				
31	FENDER FR	61100-LFC2-E10	1				
32	MIRROR ASSY R BACK	88110-LEB5-C11	0	NEP			
33	MIRROR ASSY L BACK	88120-LEB5-C11	0				
34	FORK ASSY R FR	51400-LFC2-E80	0	NGA			
35	FORK ASSY L FR	51500-LFC2-E80	0				
36	CARRIER RR	81200-LFC2-E10	1	NJA			
37	SEAT ASSY	77200-LFC3-E10	0				
38	EMB BODY COVER	86202-LFC3-E10	1				
39	CAUTION ANTI	87224-LEJ2-EZ0	1				
40	CAUTION ANTI	87224-LEJ3-EZ0	0				
41	LABEL TIRE	87505-LFC2-E10	2	T01			
42	MARK MAINT CAUTION	87541-GAR1-C01	1				
43	LABEL OIL CAP	87541-KUDU-E00	1				
44	MARK MAINT CAUTION	87542-GAR1-E01	2				
45	MARK DRIVE CAUTION	87560-GFY6-C01	3				
46	STRIPE K-LOGO 22MM	86102-LEJ2-E00	2	T03			
DATE OF STARTING-SALES							
DATE OF END-SALES							

NO	MODEL			COLOR CHART OF KL25BA(GR)			
	PHOTO NO			NO. 5	NO. 6	NO. 7	NO. 8
	BASIC COLOR			Black		Pearly White	
	CODE			Black		Pearly White	
	PARTS NAME	PARTS NO.	VERSION	NH001SA	NH001SA	NH193PA	NH193PA
26	GRILL L SIDE	83610-LFC2-E10	1	N1R			
27	CUSHION ASSY RR	52400-LFC3-E10	2	N1S			
28	"COVER, LEFT"	11340-LEJ3-E11	0				
29	WHEEL COMP RR CAST	42601-LFC3-E10	1	NEA			
30	LEVER L STRG HANDLE	53178-KNBN-C00	0				
31	FENDER FR	61100-LFC2-E10	1				
32	MIRROR ASSY R BACK	88110-LEB5-C11	0	NEP			
33	MIRROR ASSY L BACK	88120-LEB5-C11	0				
34	FORK ASSY R FR	51400-LFC2-E80	0	NGA			
35	FORK ASSY L FR	51500-LFC2-E80	0				
36	CARRIER RR	81200-LFC2-E10	1	NJA			
37	SEAT ASSY	77200-LFC3-E10	0				
38	EMB BODY COVER	86202-LFC3-E10	1				
39	CAUTION ANTI	87224-LEJ2-EZ0	1				
40	CAUTION ANTI	87224-LEJ3-EZ0	0				
41	LABEL TIRE	87505-LFC2-E10	2	T01			
42	MARK MAINT CAUTION	87541-GAR1-C01	1				
43	LABEL OIL CAP	87541-KUDU-E00	1				
44	MARK MAINT CAUTION	87542-GAR1-E01	2				
45	MARK DRIVE CAUTION	87560-GFY6-C01	3				
46	STRIPE K-LOGO 22MM	86102-LEJ2-E00	2	T01		T03	
DATE OF STARTING-SALES							
DATE OF END-SALES							

# CONTENTS - ENGINE GROUP

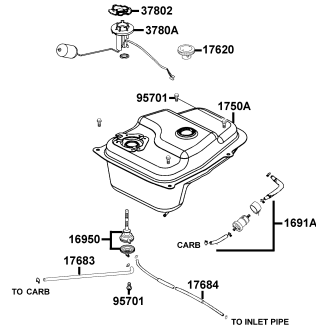
<p><b>E01 Crank Case</b></p> 	<p><b>E02 Cylinder Head</b></p> 	<p><b>E03 Cylinder Piston Crankshaft</b></p> 
<p><b>E04 Right Crankcase Cover</b></p> 	<p><b>E05 Carburetor</b></p> 	<p><b>E06 Driven Pulley</b></p> 
<p><b>E07 Starting Motor Oil Pump</b></p> 	<p><b>E08 Fan Cover Generator</b></p> 	<p><b>E09 Transmission</b></p> 



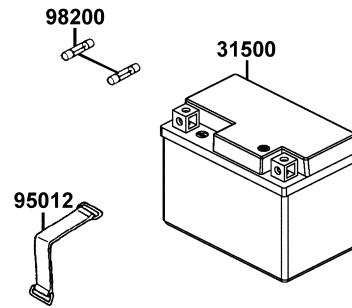


# CONTENTS - FRAME GROUP

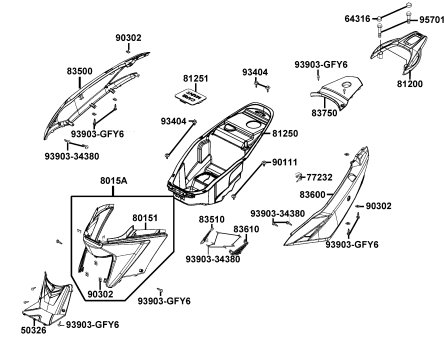
## F10 Fuel Tank



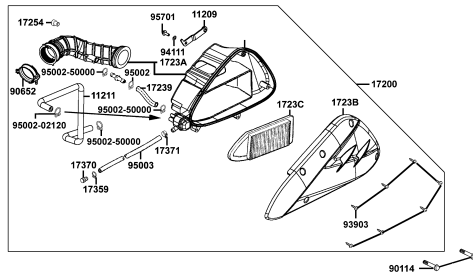
## F11 Battery



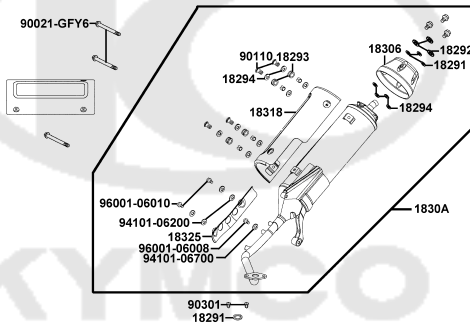
## F12 Body Cover Luggage Box



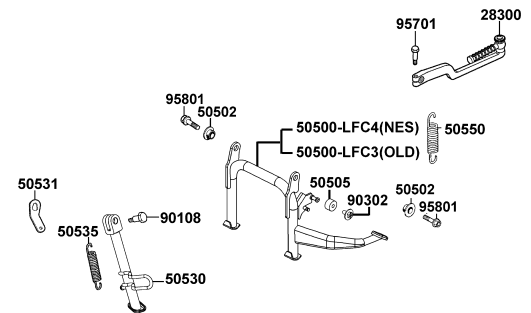
## F13 Air Cleaner



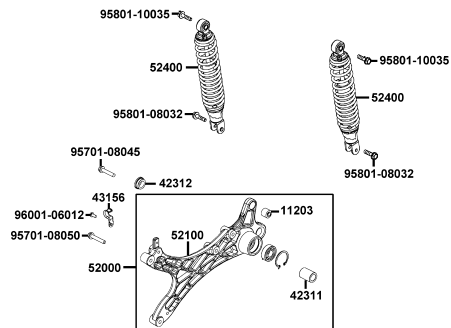
## F14 Exhaust Muffler



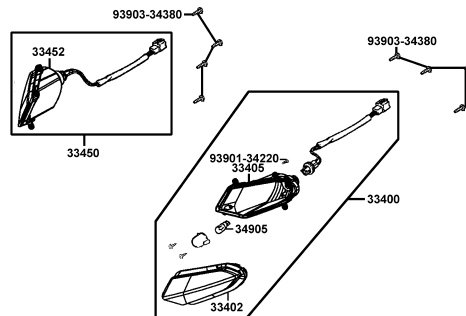
## F15 Stand Kick Starter Arm



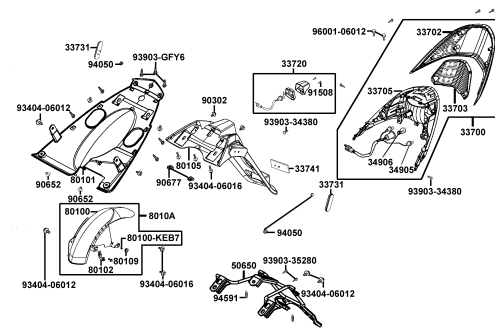
## F16 Rear Cushion



## F17 Front Winker

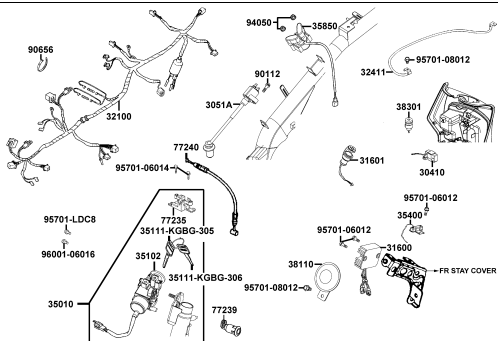


## F18 Tail Light

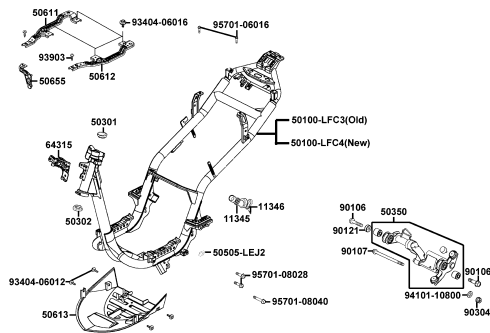


## CONTENTS - FRAME GROUP

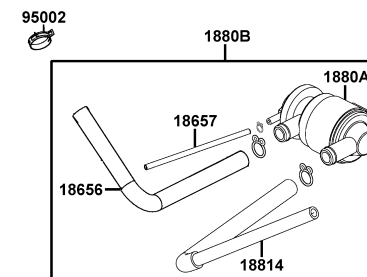
### F19 Wire Harness



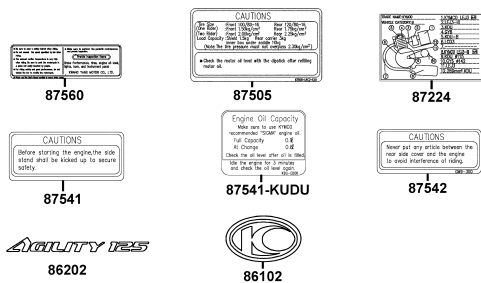
### F20 Frame Body



### F21 Air Cleaner Two

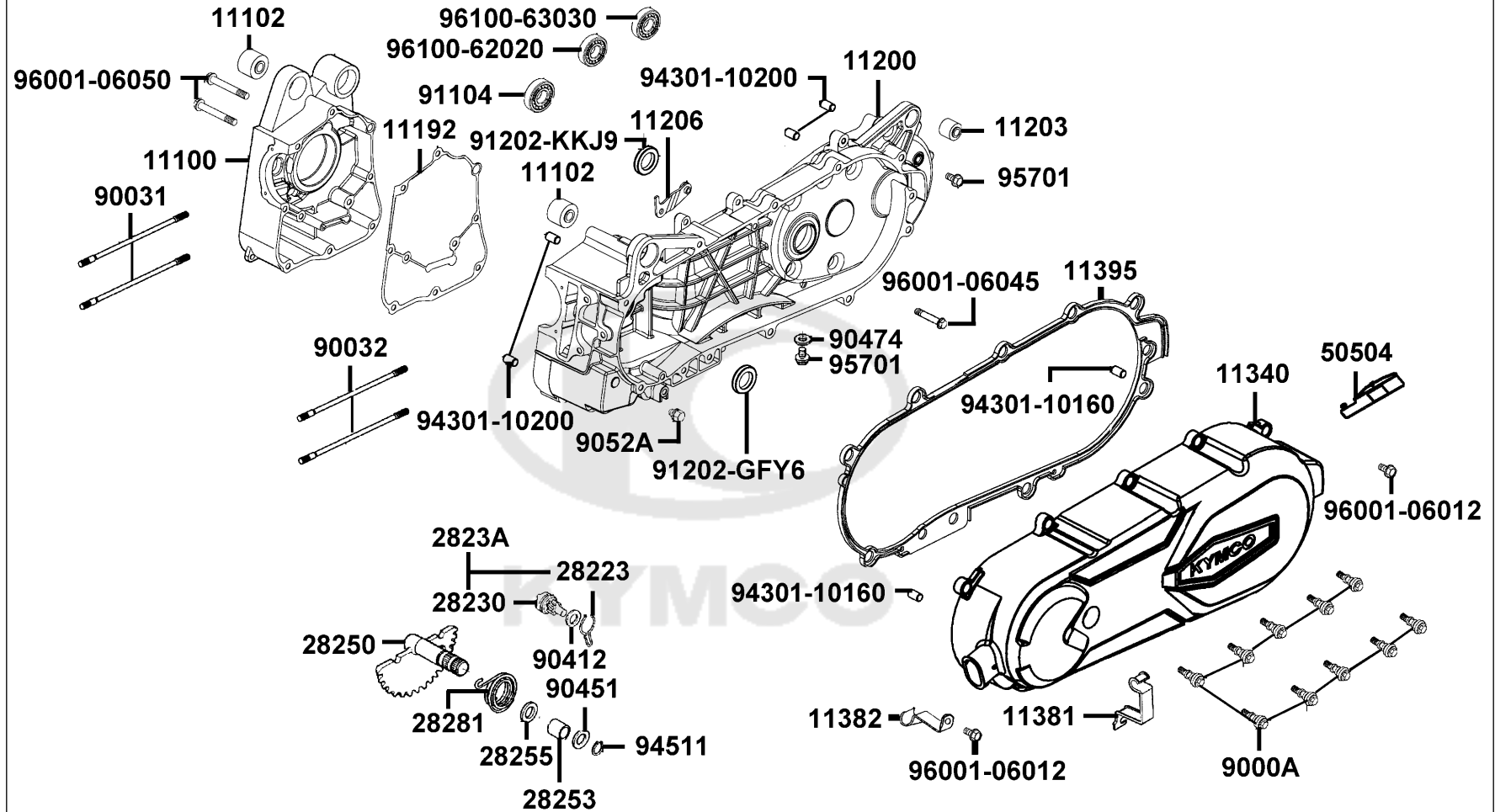


### F22 Emblem Stripe



E01

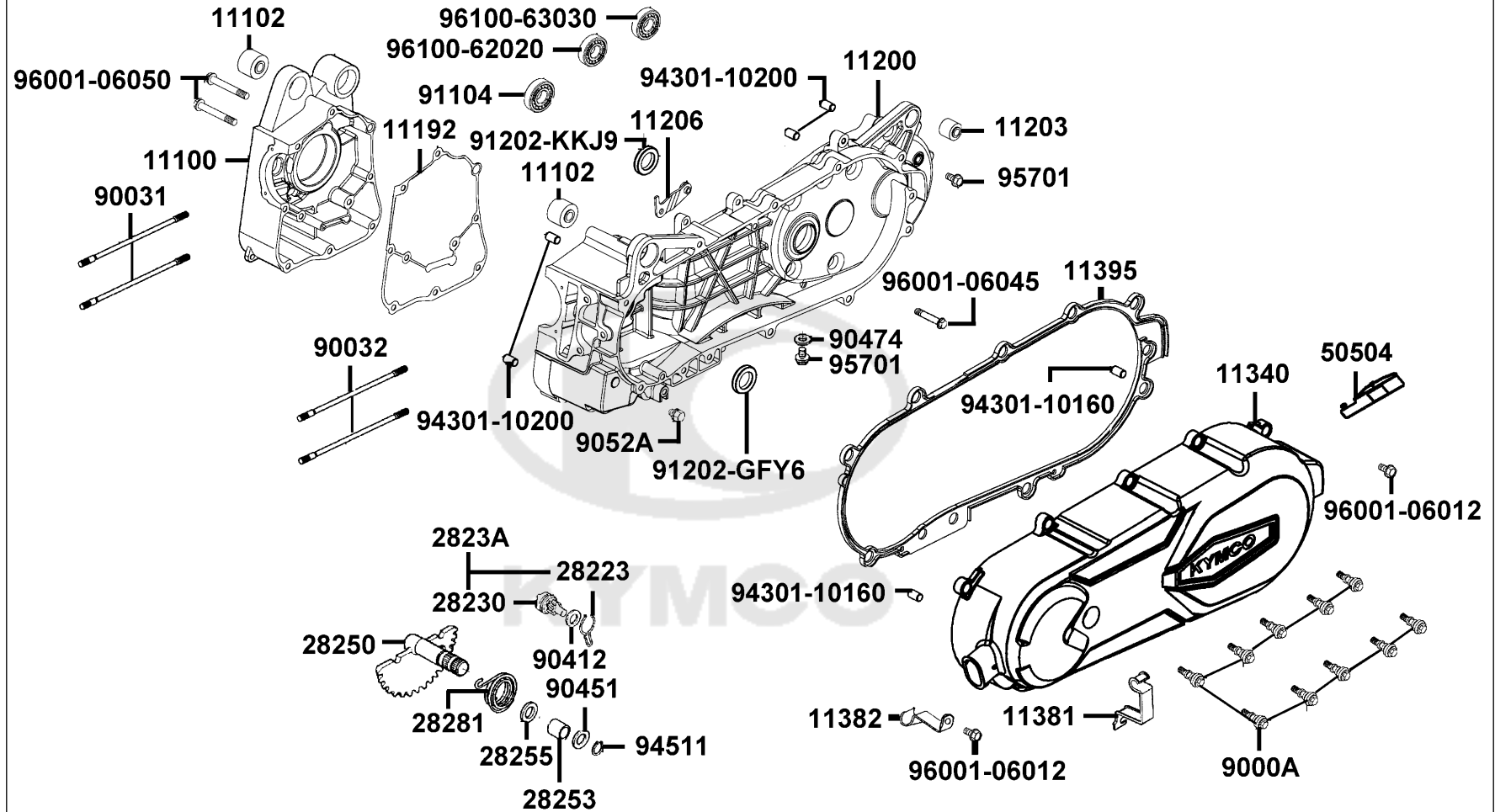
# Crank Case



Sales mark	Ref no	Part no	Description	Reg description	Regd no	E01
	11100	11100-KUDU-C00	CRANK CASE COMP R	CRANK CASE COMP R	1	
	11102	11102-1G87-C00	RUBBER BUSH ENGINE HANGER	RUBBER BUSH ENGINE HANGER	1	
	11192	11192-KUDU-C10	GASKET CRANK CASE A	GASKET CRANK CASE A	1	
	11200	11200-LCD3-C00	CRANK CASE COMP L	CRANK CASE COMP L	1	
	11203	11203-GGC7-W10	UNDER RUBBER BUSH RR CUSHION	UNDER RUBBER BUSH RR CUSHION	1	
	11206	11206-LCD3-C00	STAY A RR FENDER	STAY A RR FENDER	1	
**	11340	11340-LEJ3-E11	"COVER, LEFT"	"COVER, LEFT"	1	
	11381	11381-KHB4-C00	CLAMPER THROTTLE CABLE	CLAMPER THROTTLE CABLE	1	
	11382	11382-LEJ3-E10	CLAMPER BRAKE CABLE3	CLAMPER BRAKE CABLE3	1	
	11395	11395-KHB4-C00	GASKET L COVER @A	GASKET L COVER @A	1	
	28223	28223-KNBN-C00	SPG KICK DRIVEN GEAR	SPG KICK DRIVEN GEAR	1	
	28230	28230-KNBN-9000	GEAR COMP KICK DRIVEN	GEAR COMP KICK DRIVEN	1	
	2823A	2823A-KNBN-C00	SPINDLE COMP KICK STARTER	SPINDLE COMP KICK STARTER	1	
	28250	28250-LEJ3-E10	SPINDLE COMP KICK STARTER	SPINDLE COMP KICK STARTER	1	
	28253	28253-GBN2-C00	BUSH KICK SPDL	BUSH KICK SPDL	1	
	28255	28255-GFS6-C00	COLLAR KICK BOSS	COLLAR KICK BOSS	1	
	28281	28281-GBN2-C00	SPRING KICK RETURN	SPRING KICK RETURN	1	
	50504	50504-LEJ3-E11	STAND MAIN STOPPER	STAND MAIN STOPPER	1	
	9000A	9000A-LEJ2-E10	BOLT ASSY SPECIAL 6*29.5	BOLT ASSY SPECIAL 6*29.5	10	
	90031	90031-KUDU-C00	BOLT A STUD 8*200.5	BOLT A STUD 8*200.5	1	

E01

# Crank Case

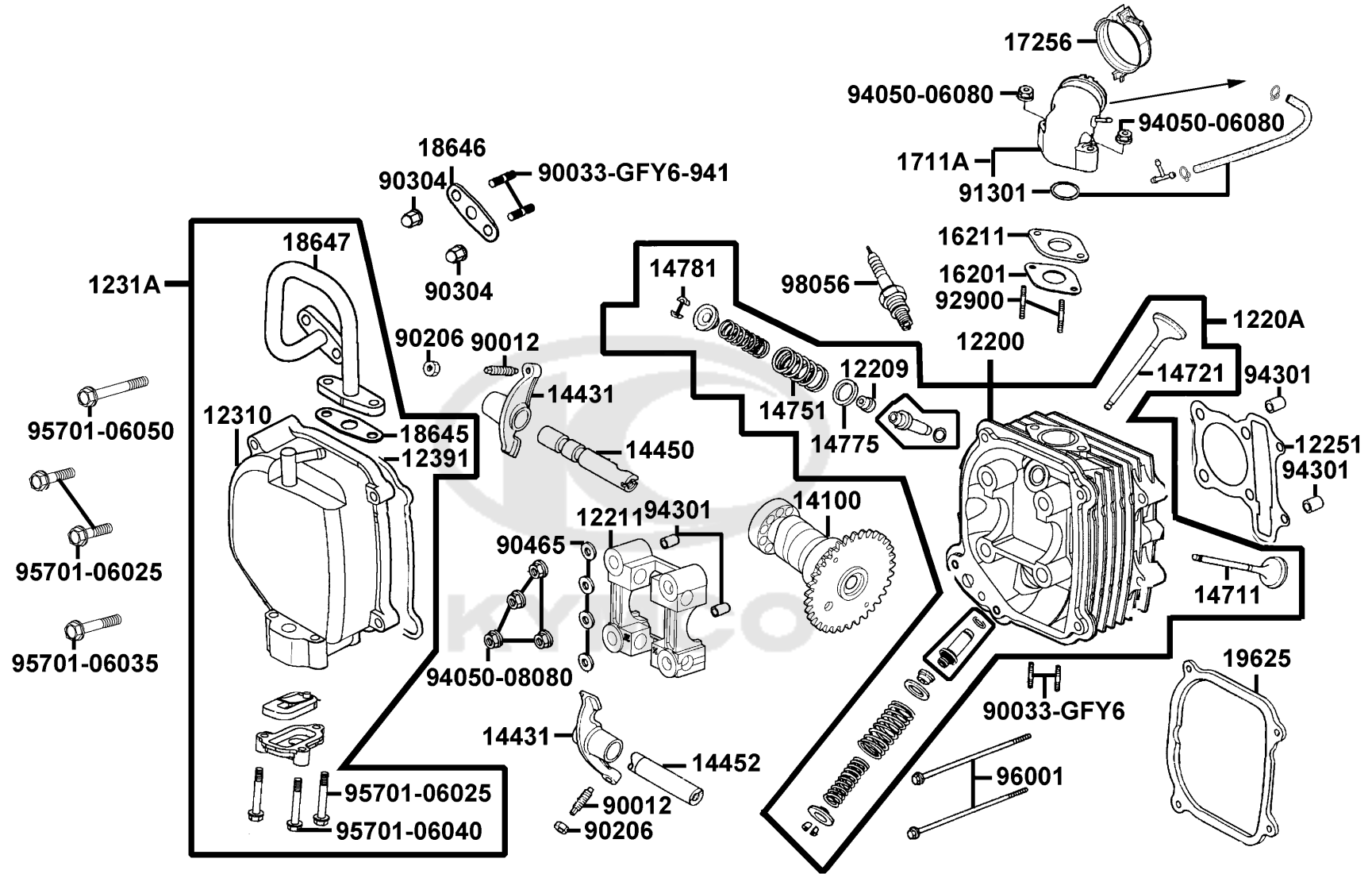


Sales mark	Ref no	Part no	Description	Reg description	Regd no	E01
90032		90032-KUDU-C00	BOLT B STUD 8*208.5	BOLT B STUD 8*208.5	1	
90412		90412-3K29-C00	WASHER THRUST 10M/M	WASHER THRUST 10M/M	1	
90451		90451-GBN2-C00	WASHER KICK SPINDLE	WASHER KICK SPINDLE	1	
90474		90474-3C33-C00	WASHER 8MM (T*2)	WASHER 8MM (T*2)	1	
9052A		9052A-GFY6-C00	BLOT ASSY DRAIN PLUG	BLOT ASSY DRAIN PLUG	1	
91104		91104-KGN7-671	BRG BALL RADIAL 6204	BRG BALL RADIAL 6204	1	
91202-GFY6		91201-GFY6-C00	OIL SEAL 19.8*30*5	OIL SEAL 19.8*30*5	1	
91202-KKJ9		91202-KKJ9-C00	OIL SEAL 20*32*6	OIL SEAL 20*32*6	1	
94301-10160		94301-10160	DOWEL PIN 10*16	DOWEL PIN 10*16	4	
94301-10200		94301-10200	DOWEL PIN 10*20	DOWEL PIN 10*20	1	
94511		94511-14000	CIR CLIP EX 14	CIR CLIP EX 14	1	
95701		95701-08012-08	BOLT FLANGE 8*12 (C)	BOLT FLANGE 8*12 (C)	2	
96001-06012		96001-06012-08	BOLT FLANGE 6*12	BOLT FLANGE 6*12	2	
96001-06045		96001-06045-08	BOLT FLANGE SH 6*45 (C)	BOLT FLANGE SH 6*45 (C)	10	
96001-06050		96001-06050-08	BOLT FLANGE	BOLT FLANGE	2	
96100-62020		96100-62020-00	BEARING BALL RADIAL 6202	BEARING BALL RADIAL 6202	1	
96100-63030		96100-63030-00	BEARING BALL RADIAL 6303	BEARING BALL RADIAL 6303	1	





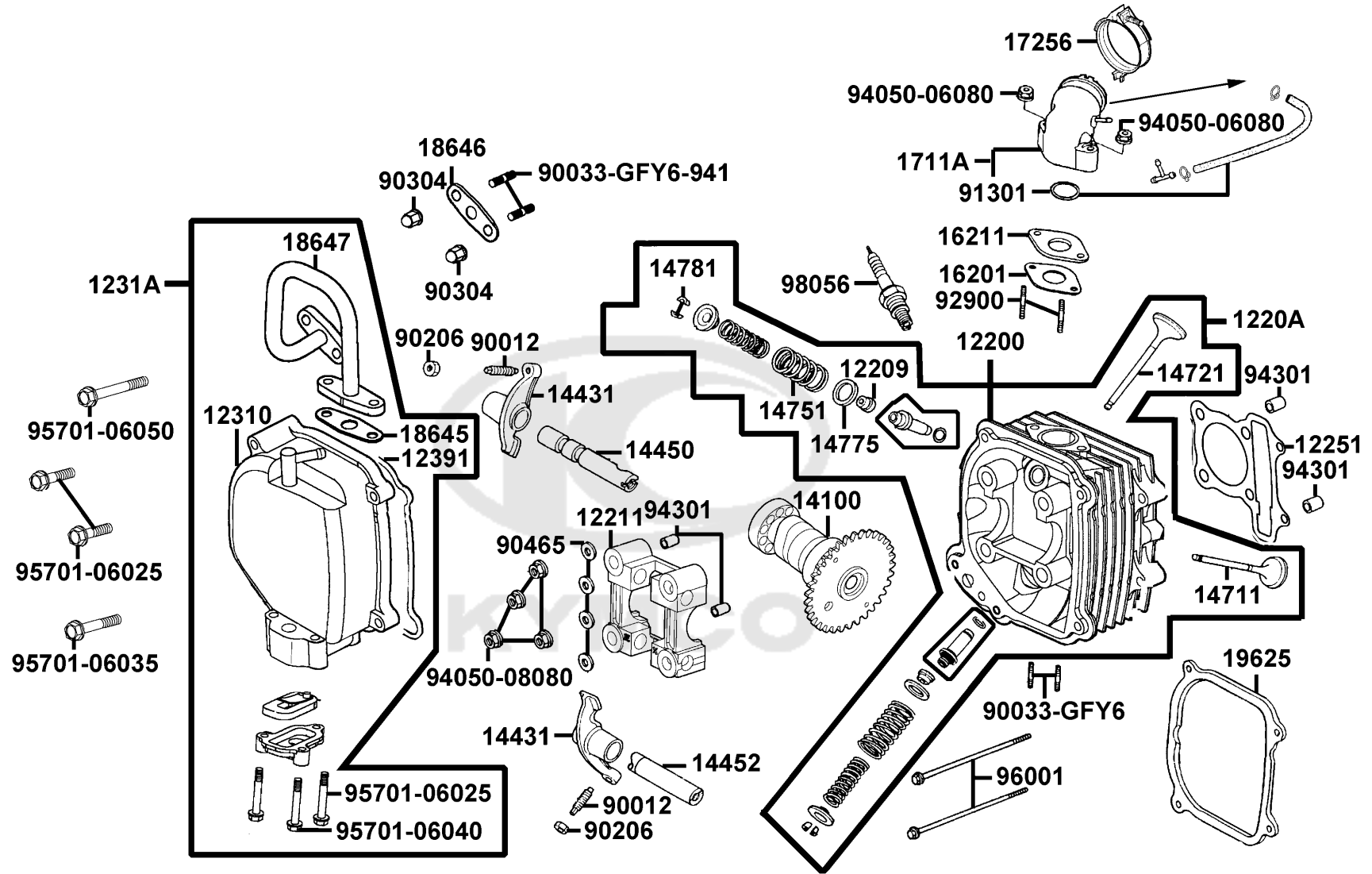
Sales mark	Ref no	Part no	Description	Reg description	Regd no	E02
	12200	12200-KUDU-C10	HEAD COMP CYLN	HEAD COMP CYLN	1	
	12209	12209-GDB4-C00	SEAL VALVE STEM	SEAL VALVE STEM	2	
	1220A	1220A-KUDU-C00	HEAD ASSY CYLN	HEAD ASSY CYLN	1	
	12211	12211-KUDU-W10	HOLDER CAM SHAFT COMP	HOLDER CAM SHAFT COMP	1	
	12251	12251-GFY6-C00	GASKET CYLINDER HEAD	GASKET CYLINDER HEAD	1	
	12310	12310-KHC4-C11	"COVER COMP, HEAD"	"COVER COMP, HEAD"	1	
	1231A	1231A-KHC4-C11	COVER ASSY HEAD	COVER ASSY HEAD	1	
	12391	12391-GFY6-C10	GASKET HEAD COVER	GASKET HEAD COVER	1	
	14100	14100-LGS6-E10	SHAFT COMP CAM	SHAFT COMP CAM	1	
	14431	14431-KUDU-W10	ARM VALVE ROCKER	ARM VALVE ROCKER	2	
	14450	14450-GFY6-W10	SHAFT COMP IN ROCKER ARM	SHAFT COMP IN ROCKER ARM	1	
	14452	14452-GFY6-W10	SHAFT EXH ROCKER ARM	SHAFT EXH ROCKER ARM	1	
	14711	14711-KUDU-C00	VALVE INLET	VALVE INLET	1	
	14721	14721-KUDU-C00	VALVE EXHAUST	VALVE EXHAUST	1	
	14751	14751-KUDU-C10	SPRING VALVE OUTER	SPRING VALVE OUTER	2	
	14775	14775-MFA6-C00	SEAT VALVE SPG OUTER	SEAT VALVE SPG OUTER	1	
	14781	14781-MFA6-C00	COTTER VALVE	COTTER VALVE	1	
	16201	16201-GFY6-C10	GASKET CARB INSULATOR A	GASKET CARB INSULATOR A	1	
	16211	16211-GFY6-W10	INSULATOR CARB	INSULATOR CARB	1	
	1711A	1711A-LEJ3-E10	PIPE ASSY INLET	PIPE ASSY INLET	1	



Sales mark	Ref no	Part no	Description	Reg description	Regd no	<b>E02</b>
17256		17256-GFY6-C00	BAND INSULATOR	BAND INSULATOR	1	
18645		18645-GFY6-C00	GASKET A/I PIPE	GASKET A/I PIPE	1	
18646		18646-LDC8-E10	GASKET A/I PIPE	GASKET A/I PIPE	1	
18647		18647-GFY6-C00	PIPE COMP AIR	PIPE COMP AIR	1	
19625		19625-KUDU-C00	SEAL SHROUD	SEAL SHROUD	1	
90012		90012-3C33-C00	SCREW TAPPET ADJUSTING	SCREW TAPPET ADJUSTING	1	
90033-GFY6		90033-GFY6-C00	BOLT 8*32	BOLT 8*32	1	
90033-GFY6-941		90033-GFY6-C10	BOLT STUD 6*16	BOLT STUD 6*16	1	
90206		90206-0A01-C00	NUT TAPPET ADJG	NUT TAPPET ADJG	1	
90304		90304-4H38-C00	NUT HEX CAP 6MM	NUT HEX CAP 6MM	1	
90465		90465-MDC4-C00	WASHER 8MM	WASHER 8MM	1	
91301		91301-0H28-C00	O-RING 27*2	O-RING 27*2	1	
92900		92900-06060-0B	BOLT STUD 6*60	BOLT STUD 6*60	2	
94050-06080		94050-06080	NUT FLANG 6MM	NUT FLANG 6MM	2	
94050-08080		94050-08080	NUT FLANGE 8MM	NUT FLANGE 8MM	4	
94301		94301-10160	DOWEL PIN 10*16	DOWEL PIN 10*16	4	
95701-06025		95701-06025-00	BOLT FLANGE 6*25 (B)	BOLT FLANGE 6*25 (B)	1	
95701-06025		95701-06025-08	BOLT FLANGE 6*25	BOLT FLANGE 6*25	2	
95701-06035		95701-06035-08	BOLT FLANGE 6*35 (C)	BOLT FLANGE 6*35 (C)	1	
95701-06040		95701-06040-00	BOLT FLANGE 6*40 (B)	BOLT FLANGE 6*40 (B)	2	

E02

# Cylinder Head



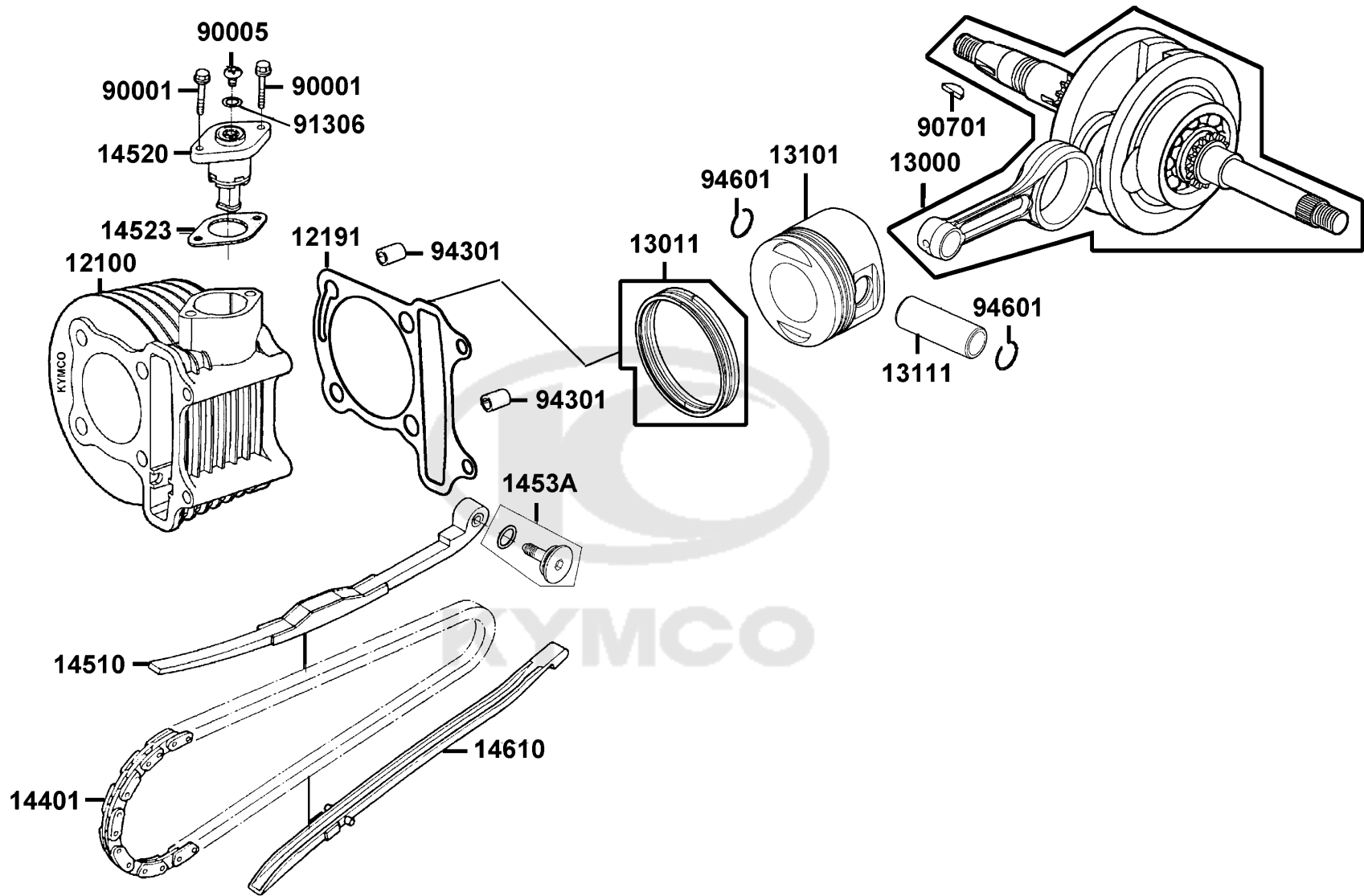
Sales mark	Ref no	Part no	Description	Reg description	Regd no	<b>E02</b>
------------	--------	---------	-------------	-----------------	---------	------------

95701-06050	95701-06050-08	95701-06050-08	BOLT FLANGE 6*50 (C)	BOLT FLANGE 6*50 (C)	1	
96001	96001-06100-08	96001-06100-08	BOLT FLANGE SH 6*100 (C)	BOLT FLANGE SH 6*100 (C)	2	
98056	98056-5771R-00	98056-5771R-00	SPARK PLUG	SPARK PLUG	1	



E03

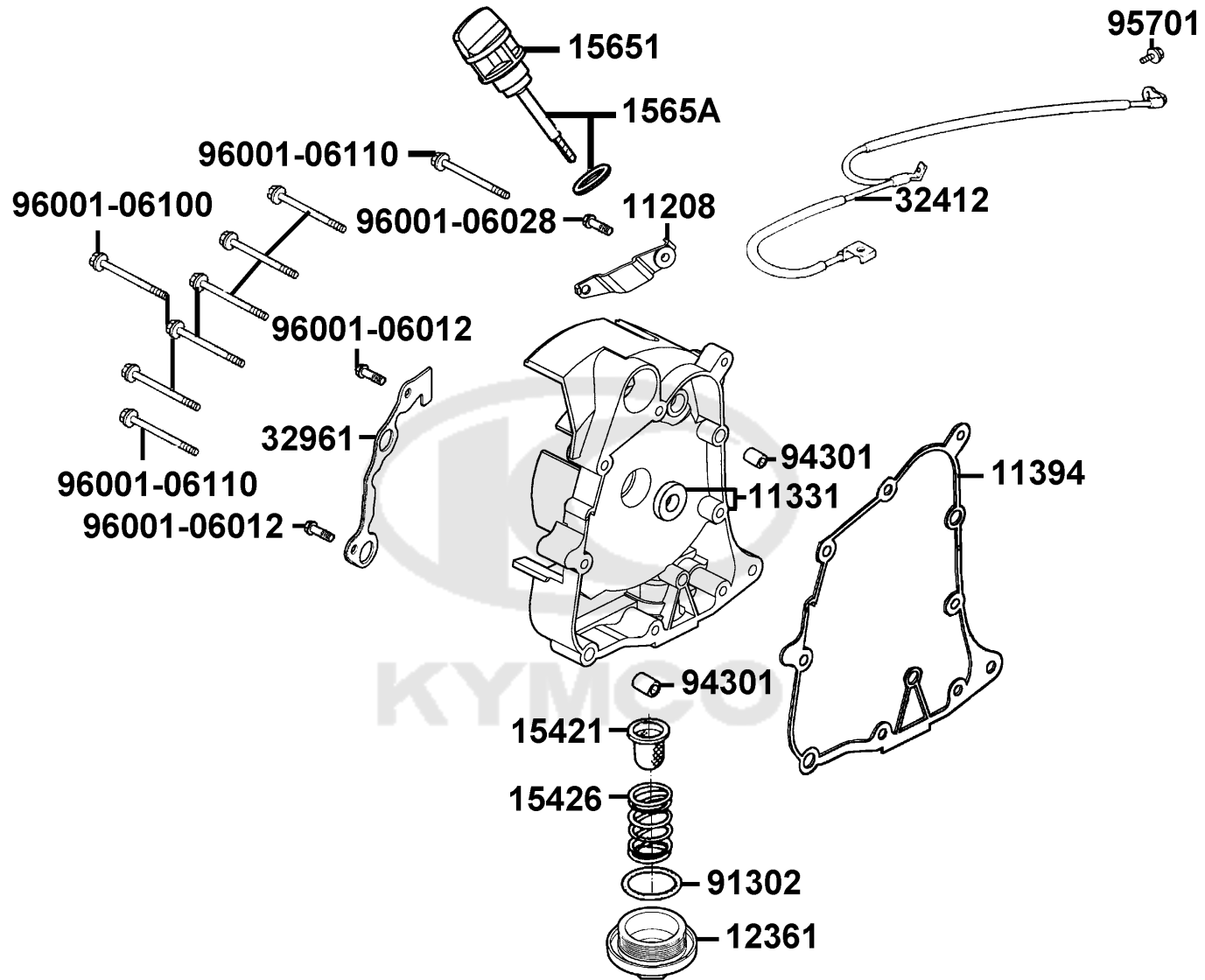
# Cylinder Piston Crankshaft



Sales mark	Ref no	Part no	Description	Reg description	Regd no	E03
12100		12100-GFY6-C00	CYLINDER COMP	CYLINDER COMP	1	
12191		12191-GFY6-C10	GASKET CYLINDER @A	GASKET CYLINDER @A	1	
13000		13000-KUDU-C00	CRANK SHAFT COMP	CRANK SHAFT COMP	1	
13011		13011-GFY6-C00	RING ASSY. PISTON	RING ASSY. PISTON	1	
13101		13101-KUDU-C00	PISTON	PISTON	1	
13111		13111-3D84-C00	"PIN,PISTON"	"PIN,PISTON"	1	
14401		14401-KUDU-C00	CHAIN CAM	CHAIN CAM	1	
14510		14510-KUDU-W10	TENSIONER CAM CHAIN	TENSIONER CAM CHAIN	1	
14520		14520-GFY6-C00	TENSIONER LIFTER	TENSIONER LIFTER	1	
14523		14523-GFY6-C10	GASKET TENSIONER LIFTER @A	GASKET TENSIONER LIFTER @A	1	
1453A		1453A-GFY6-W10	PIVOT CAM CHAIN SET	PIVOT CAM CHAIN SET	1	
14610		14610-KUDU-C10	GUIDE COMP CAM CHAIN	GUIDE COMP CAM CHAIN	1	
90001		90001-GBHB-C00	BOLT FLANGE SHF 6*22 (B)	BOLT FLANGE SHF 6*22 (B)	1	
90005		90005-KAW1-901	SCREW PAN 6*6	SCREW PAN 6*6	1	
90701		90701-HFB6-C00	KEY WOODRUFF 25*14*4	KEY WOODRUFF 25*14*4	1	
91306		91306-1E05-C00	O-RING 1.5*9.5	O-RING 1.5*9.5	1	
94301		94301-10160	DOWEL PIN 10*16	DOWEL PIN 10*16	2	
94601		94601-15000	CLIP PISTON PIN 15MM	CLIP PISTON PIN 15MM	2	

E04

Right Crankcase Cover

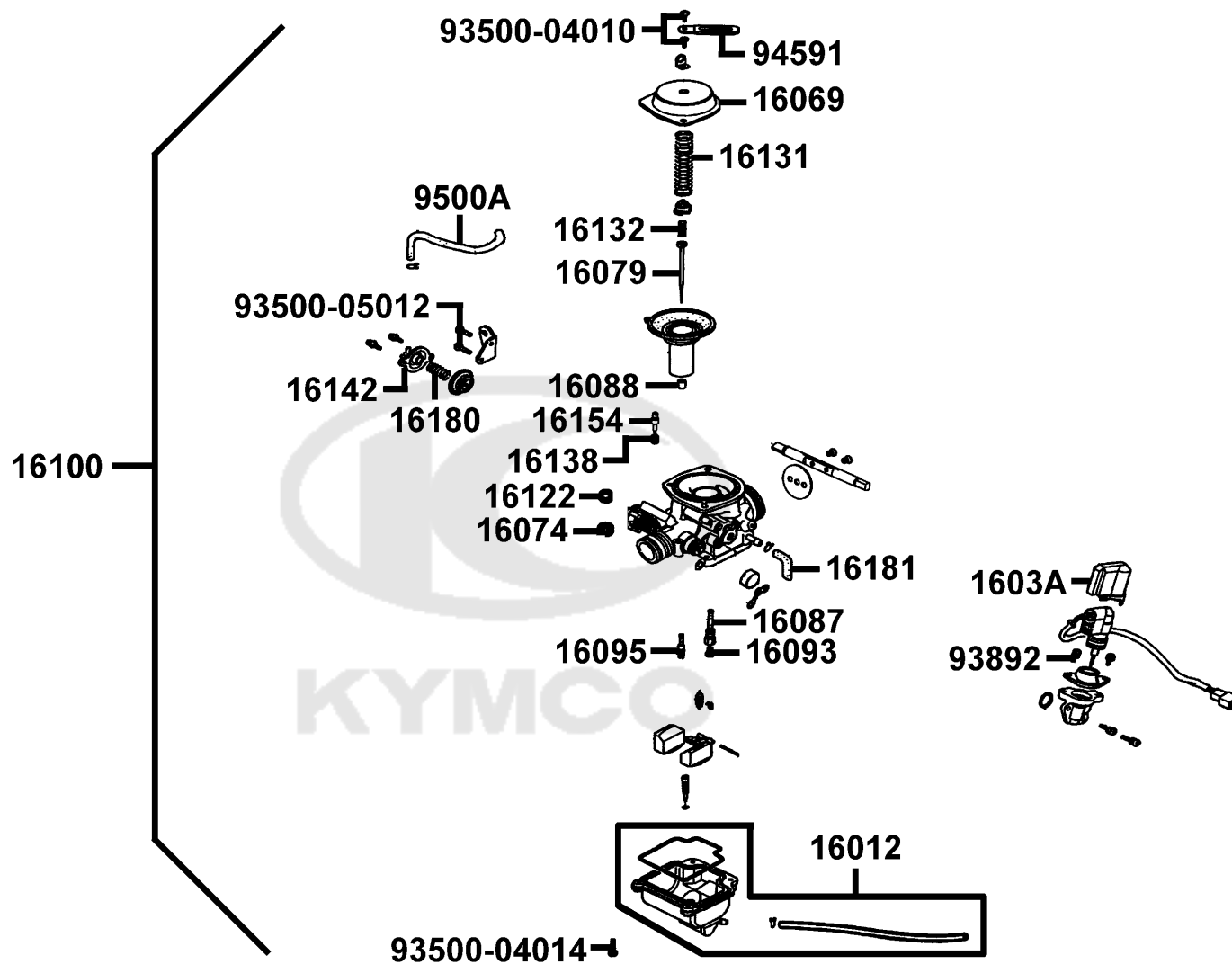




Sales mark	Ref no	Part no	Description	Reg description	Regd no	E04
11208		11208-LCD3-E00	STAY RR TIRE FENDER	STAY RR TIRE FENDER	1	
11331		11331-LCD3-E00	COVER R CRANK CASE	COVER R CRANK CASE	1	
11394		11394-KUDU-C10	STAY B RR FENDER	STAY B RR FENDER	1	
12361		12361-GFY6-C00	HOLE CAP TAPPET ADJUSTING	HOLE CAP TAPPET ADJUSTING	1	
15421		15421-1G07-W10	SCREEN OIL FILTER	SCREEN OIL FILTER	1	
15426		15426-GAE1-C00	SPG OIL FILTER SCREEN	SPG OIL FILTER SCREEN	1	
15651		15651-KUDU-W10	GAUGE OIL LEVEL	GAUGE OIL LEVEL	1	
1565A		1565A-KUDU-W10	GAUGE OIL LEVEL ASSY	GAUGE OIL LEVEL ASSY	1	
32412		32412-LDF7-E10	CABLE EARTH	CABLE EARTH	1	
32961		32961-KUDU-C00	CLAMPER ACG CORD	CLAMPER ACG CORD	1	
91302		91302-0A01-C00	O-RING 30.8	O-RING 30.8	1	
94301		94301-10160	DOWEL PIN 10*16	DOWEL PIN 10*16	2	
95701		95701-06012-08	BOLT FLANGE 6*12	BOLT FLANGE 6*12	1	
96001-06012		96001-06012-08	BOLT FLANGE 6*12	BOLT FLANGE 6*12	3	
96001-06028		96001-06028-08	BOLT FLANGE 6*28	BOLT FLANGE 6*28	1	
96001-06100		96001-06100-08	BOLT FLANGE SH 6*100 (C)	BOLT FLANGE SH 6*100 (C)	6	
96001-06110		96001-06110-08	BOLT FLANGE SH 6*110 (C)	BOLT FLANGE SH 6*110 (C)	2	

E05

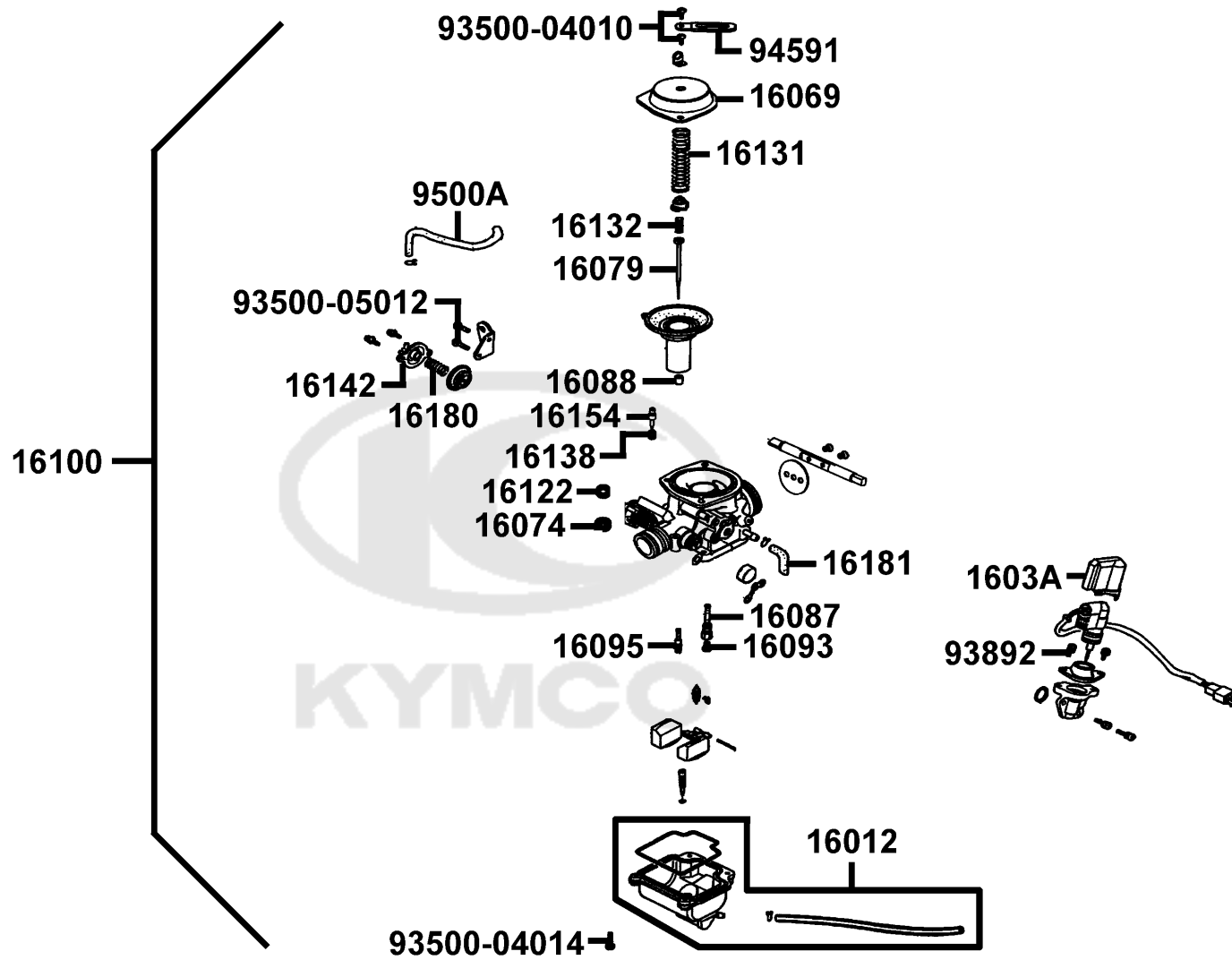
Carburetor



Sales mark	Ref no	Part no	Description	Reg description	Regd no	<b>E05</b>
16012		16012-KEC3-800	CHAMBER COMP FLOAT	CHAMBER COMP FLOAT	1	
1603A		1603A-LFC3-E10	UNIT BY-ST ASSY	UNIT BY-ST ASSY	1	
16069		16069-KEC3-900	COVER PISTON VALVE DIAPHRAGM	COVER PISTON VALVE DIAPHRAGM	1	
16074		16074-KEC3-900	WASHER IDLE ADJUST SCREW	WASHER IDLE ADJUST SCREW	1	
16079		16079-LGB6-900	JET NEEDLE	JET NEEDLE	1	
16087		16087-KEC3-900	TUBE EMULSION	TUBE EMULSION	1	
16088		16088-KEC3-900	JET NEEDLE	JET NEEDLE	1	
16093		16093-5102-E10	JET MAIN	JET MAIN	1	
16095		16095-KEC3-900	JET SLOW	JET SLOW	1	
16100		16100-LFC3-E10	CARBURETOR ASSY	CARBURETOR ASSY	1	
16122		16122-KEC3-900	O-RING IDLE SCREW	O-RING IDLE SCREW	1	
16131		16131-KEC3-900	SPRING VACUUM PISTON	SPRING VACUUM PISTON	1	
16132		16132-KEC3-900	SPRING JET NEEDLE	SPRING JET NEEDLE	1	
16138		16138-KGC5-900	SPG IDLE ADJ SCREW	SPG IDLE ADJ SCREW	1	
16142		16142-KEC3-900	COVER ACV	COVER ACV	1	
16154		16154-KEC3-900	SCREW IDLE ADJUST	SCREW IDLE ADJUST	1	
16180		16180-KEC3-900	SPRING ACV	SPRING ACV	1	
16181		16181-KEC3-900	TUBE AIR VENT	TUBE AIR VENT	1	
93500-04010		93500-04010-08	SCREW PAN 4*10	SCREW PAN 4*10	1	
93500-04014		93500-04014-1A	SCREW PAN 4*14(B)	SCREW PAN 4*14(B)	1	

E05

Carburetor



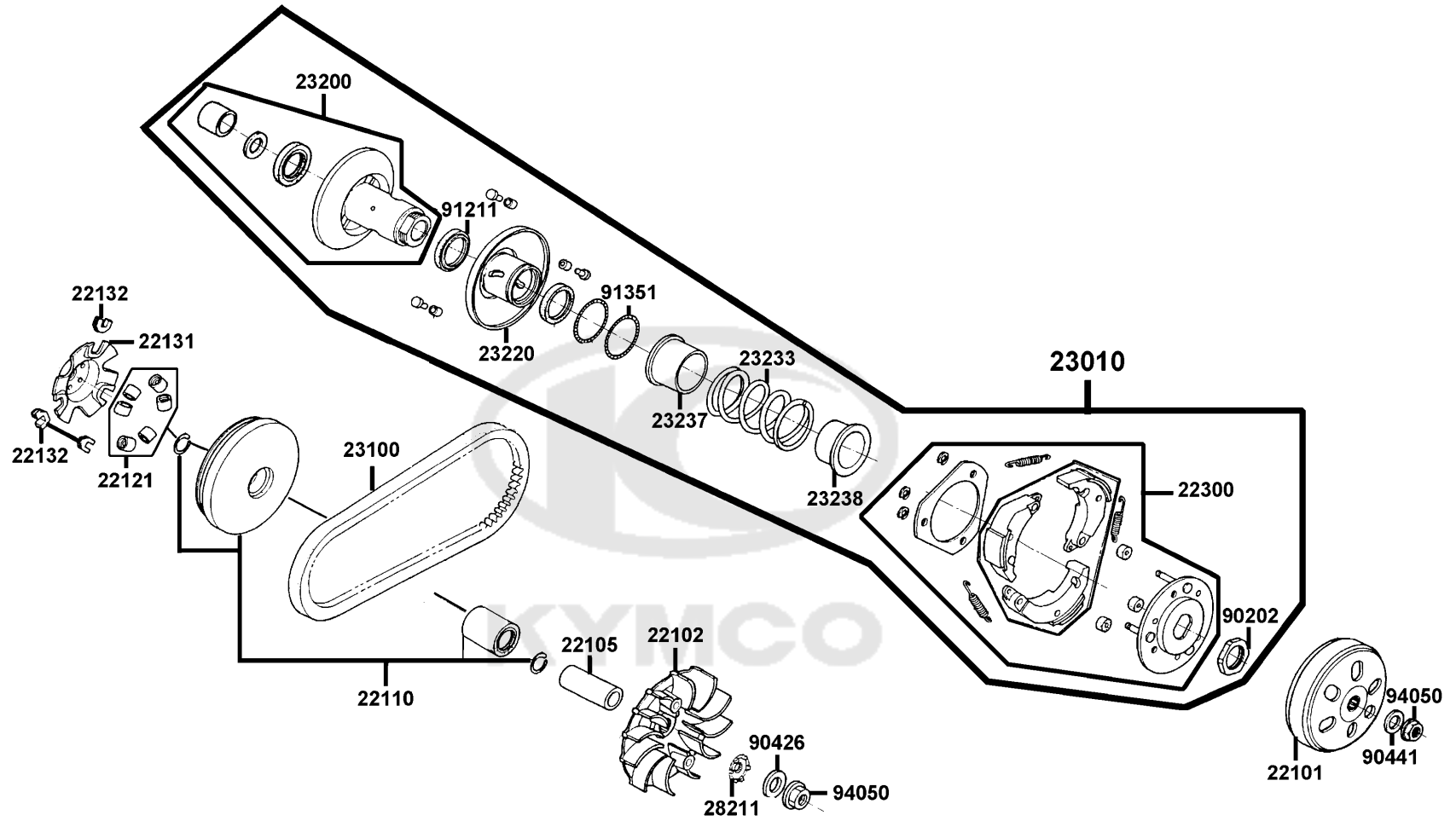
Sales mark	Ref no	Part no	Description	Reg description	Regd no	<b>E05</b>
------------	--------	---------	-------------	-----------------	---------	------------

	93500-05012	93500-05012-08	SCREW PAN 5*12C	SCREW PAN 5*12C	1	
	93892	93892-04008-18	SCREW WASHER	SCREW WASHER	1	
	94591	94591-25000	CLIP BIND	CLIP BIND	1	
	9500A	9500A-35250-20	TUBE JOINT ASSY 3 WAY,ACV	TUBE JOINT ASSY 3 WAY,ACV	1	



E06

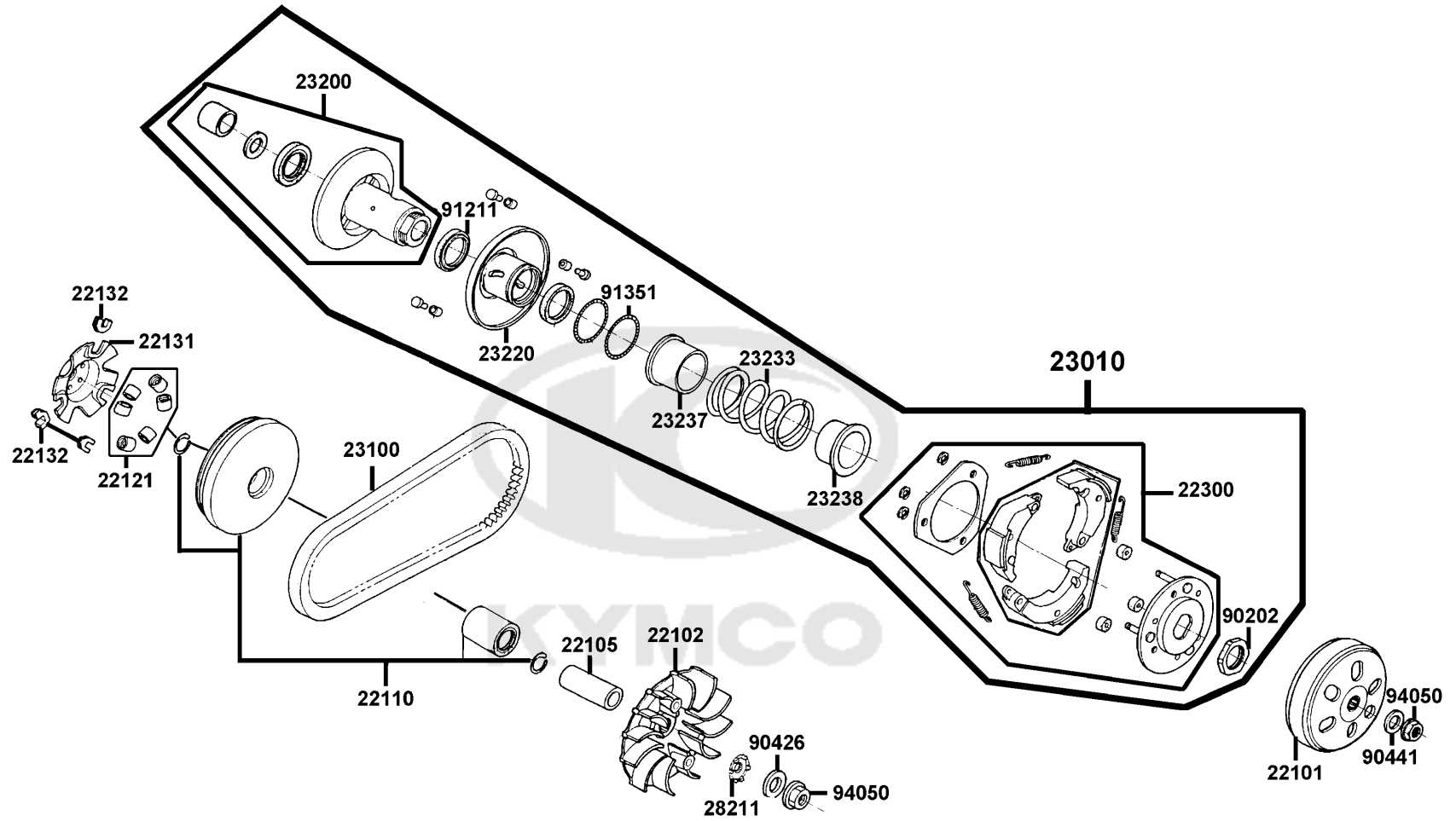
# Driven Pulley



Sales mark	Ref no	Part no	Description	Reg description	Regd no	E06
	22101	22101-LCD3-C00	OUTER CLUTCH	OUTER CLUTCH	1	
	22102	22102-KUDU-E80	FACE DRIVE	FACE DRIVE	1	
	22105	22105-GFY6-C00	BOSS DRIVE FACE	BOSS DRIVE FACE	1	
	22110	22110-KUDU-E80	FACE MOVABLE DRIVE	FACE MOVABLE DRIVE	1	
	22121	22121-GFY6-C00	ROLLER COMP WEIGHT	ROLLER COMP WEIGHT	1	
	22131	22131-GFY6-C00	PLATE RAMP	PLATE RAMP	1	
	22132	22132-KBN2-C00	PIECE SLIDE	PIECE SLIDE	1	
	22300	22300-LCD3-C00	PLATE ASSY DRIVE	PLATE ASSY DRIVE	1	
	23010	23010-LEJ3-E10	FACE COMP MOVABLE DRIVEN	FACE COMP MOVABLE DRIVEN	1	
	23100	23100-KEC4-C00	BELT DRIVE	BELT DRIVE	1	
	23200	23200-LEJ3-E10	BRG NDL 20*29*18	BRG NDL 20*29*18	1	
	23220	23220-GFY6-C00	FACE COMP DRIVEN H1	FACE COMP DRIVEN H1	1	
	23233	23233-LEJ3-E10	PIECE SLIDE	PIECE SLIDE	1	
	23237	23237-GFY6-C00	COLLAR SEAL	COLLAR SEAL	1	
	23238	23238-GFY6-C00	COLLAR SPG	COLLAR SPG	1	
	28211	28211-KUDU-W10	RATCHET KICK STARTER	RATCHET KICK STARTER	1	
	90202	90202-1G87-C00	NUT SPECIAL 28MM	NUT SPECIAL 28MM	1	
	90426	90426-KNBN-C00	WASHER SPECIAL 12MM	WASHER SPECIAL 12MM	1	
	90441	90441-GFY6-C00	WASHER 12.2*29*2.5	WASHER 12.2*29*2.5	1	
	91211	91211-KEBE-C00	SEAL DRIVEN FACE 34*41*4	SEAL DRIVEN FACE 34*41*4	1	

E06

# Driven Pulley

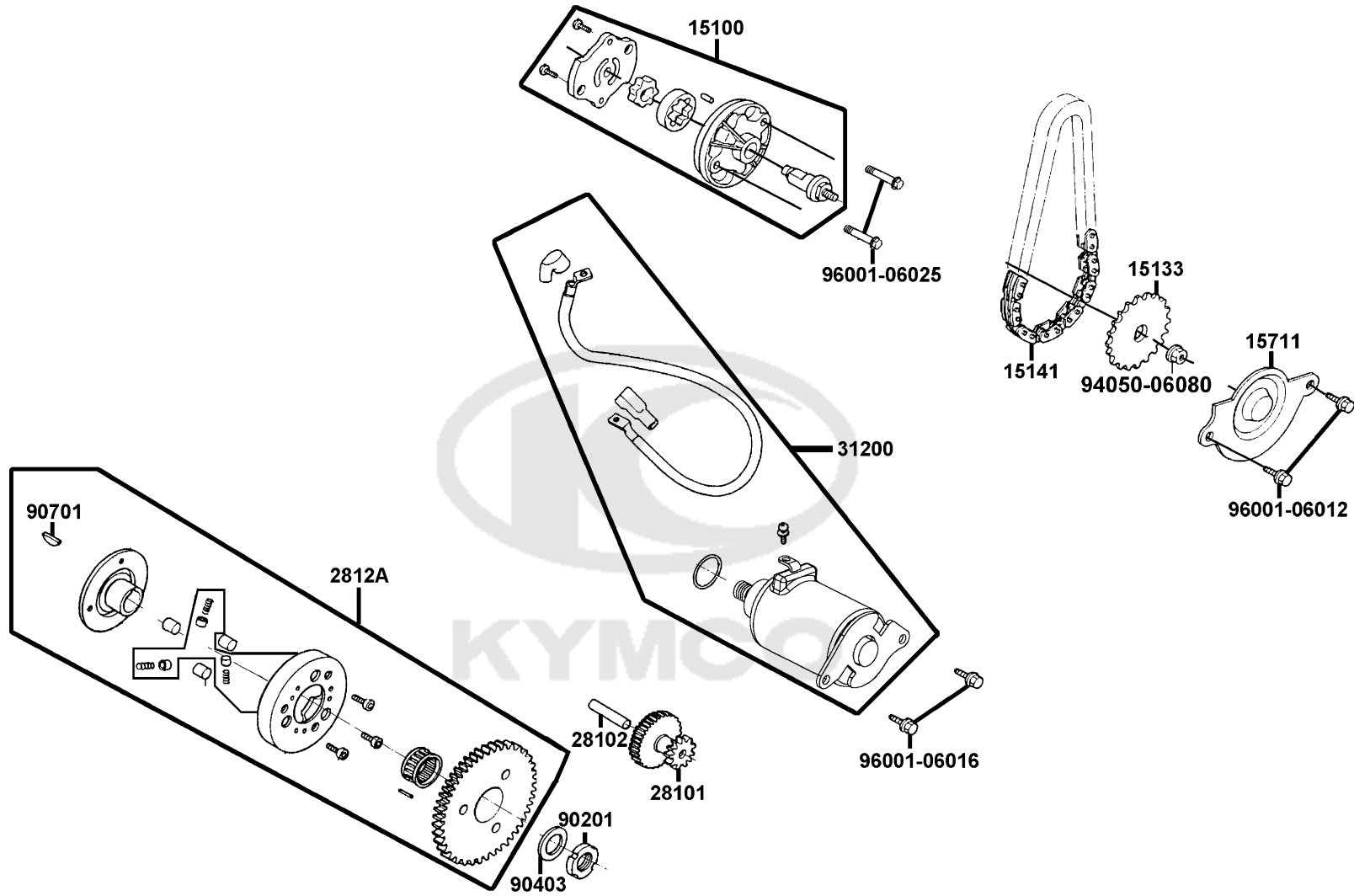




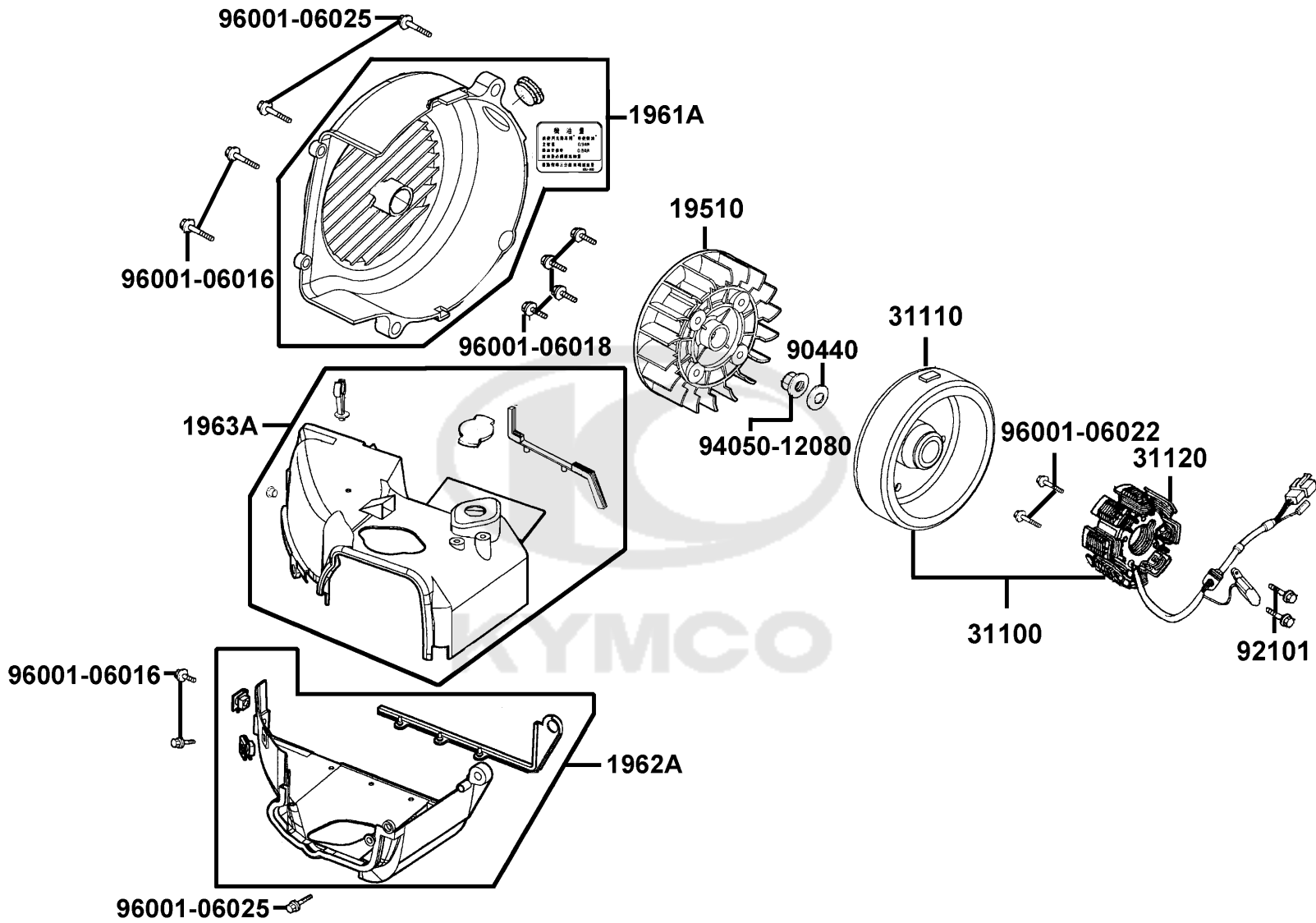
Sales mark	Ref no	Part no	Description	Reg description	Regd no	<b>E06</b>
------------	--------	---------	-------------	-----------------	---------	------------

91351		91351-6B42-C00	O-RING PINION CAP	O-RING PINION CAP	1	
94050		94050-12080	NUT FLANGE 12MM (C)	NUT FLANGE 12MM (C)	2	

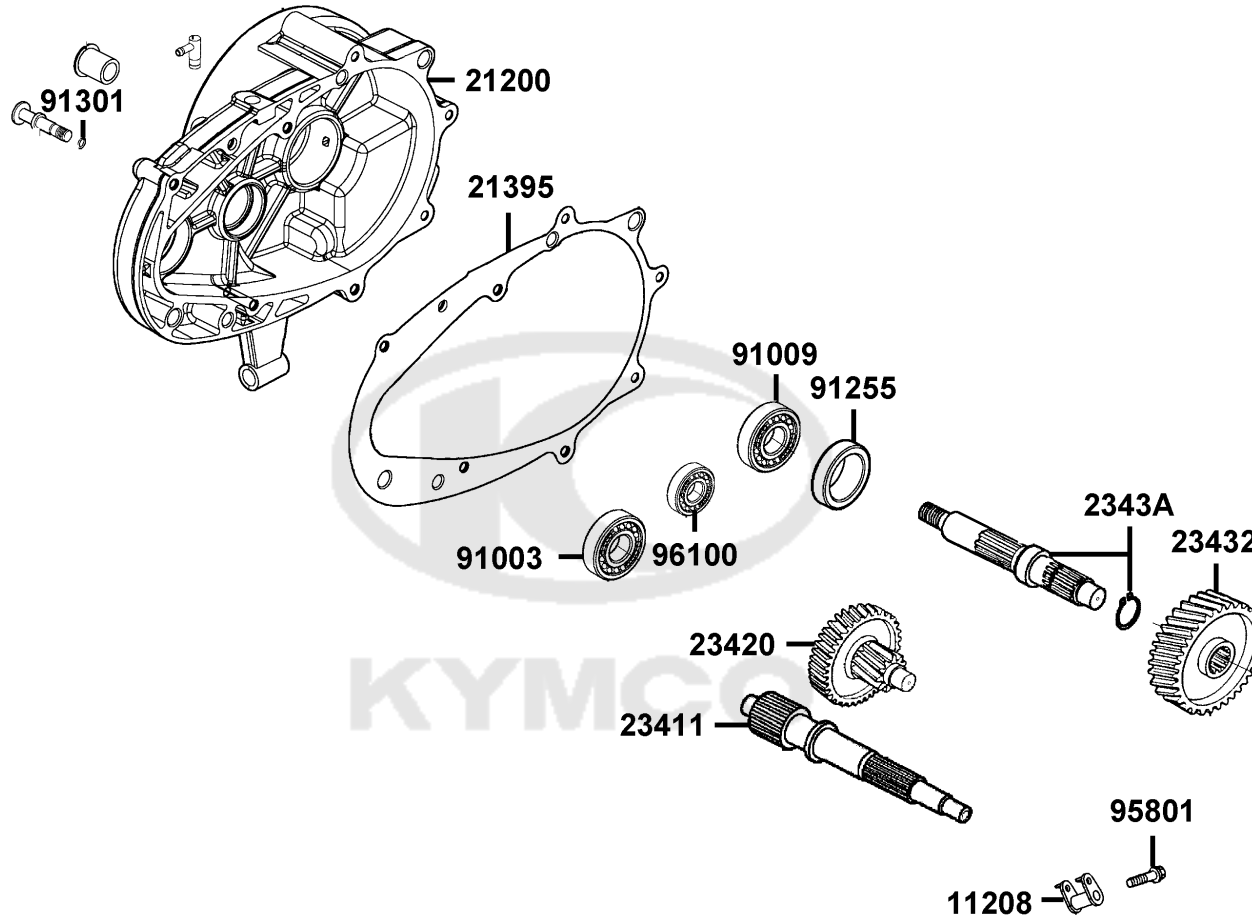




Sales mark	Ref no	Part no	Description	Reg description	Regd no	E07
15100		15100-KFB7-C00	PUMP ASSY OIL	PUMP ASSY OIL	1	
15133		15133-GFY6-W10	SPROCKET OIL PUMP DRIVE	SPROCKET OIL PUMP DRIVE	1	
15141		15141-GFY6-C00	CHAIN OIL PUMP	CHAIN OIL PUMP	1	
15711		15711-KUDU-C00	SEPARATER OIL	SEPARATER OIL	1	
28101		28101-GFY6-C00	GEAR STARTER REDUCTION	GEAR STARTER REDUCTION	1	
28102		28102-GFY6-C00	SHAFT COMP STARTER REDUCTION	SHAFT COMP STARTER REDUCTION	1	
2812A		2812A-GFY6-C10	OUTER ASSY START CLUTCH	OUTER ASSY START CLUTCH	1	
31200		31200-KUDU-C00	"MOTOR ASS'Y,START"	"MOTOR ASS'Y,START"	1	
90201		90201-GFY6-901	NUT LOCK 22MM	NUT LOCK 22MM	1	
90403		90403-KUDU-900	WASHER THRUST 22.2*39*2.5	WASHER THRUST 22.2*39*2.5	1	
90701		90701-HFB6-C00	KEY WOODRUFF 25*14*4	KEY WOODRUFF 25*14*4	1	
94050		94050-06080	NUT FLANG 6MM	NUT FLANG 6MM	1	
96001-06012		96001-06012-08	BOLT FLANGE 6*12	BOLT FLANGE 6*12	2	
96001-06016		96001-06016-08	BOLT FLANGE SH 6*16(C)	BOLT FLANGE SH 6*16(C)	2	
96001-06025		96001-06025-08	BOLT FLANGE SH 6*25 (C)	BOLT FLANGE SH 6*25 (C)	2	



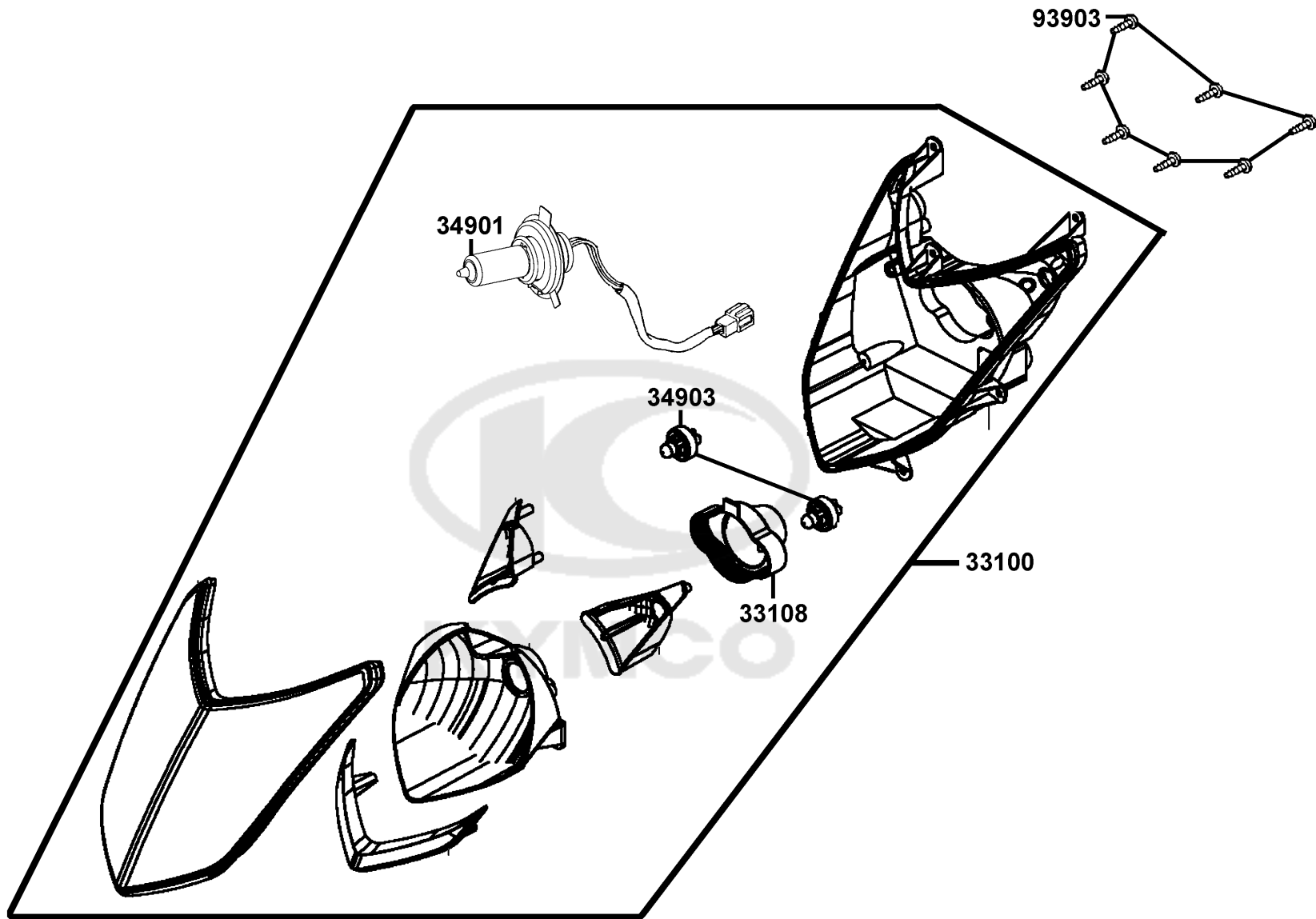
Sales mark	Ref no	Part no	Description	Reg description	Regd no	<b>E08</b>
19510		19510-KFB7-C00	FAN COMP COOLING	FAN COMP COOLING	1	
1961A		1961A-KUDU-E10	COVER ASSY FAN	COVER ASSY FAN	1	
1962A		1962A-KKE3-C00	SHROUD ASSY A	SHROUD ASSY A	1	
1963A		1963A-LDF7-E10	SHROUD COMP B	SHROUD COMP B	1	
31100		31100-LFC3-E10	AC GEN ASSY	AC GEN ASSY	1	
31110		31110-LAD9-C00	FLYWHEEL COMP	FLYWHEEL COMP	1	
31120		31120-LFC3-E10	STATOR COMP	STATOR COMP	1	
90440		90440-1F66-C00	WASHER PLAIN 12MM	WASHER PLAIN 12MM	1	
92101		92101-05012-0H	BOLT HEX 5*12 (C)	BOLT HEX 5*12 (C)	2	
94050		94050-12080	NUT FLANGE 12MM (C)	NUT FLANGE 12MM (C)	1	
96001-06016		96001-06016-08	BOLT FLANGE SH 6*16(C)	BOLT FLANGE SH 6*16(C)	4	
96001-06018		96001-06018-08	BOLT FLANGE SH 6*18 (C)	BOLT FLANGE SH 6*18 (C)	4	
96001-06022		96001-06022-08	BOLT FLANGE 6*22	BOLT FLANGE 6*22	2	
96001-06025		96001-06025-08	BOLT FLANGE SH 6*25 (C)	BOLT FLANGE SH 6*25 (C)	3	




Sales mark	Ref no	Part no	Description	Reg description	Regd no	<b>E09</b>
11208		11208-KXCX-C00	CLAMP BRAKE WIRE	CLAMP BRAKE WIRE	1	
21200		21200-LEJ8-C00	CASE COMP MISSION	CASE COMP MISSION	1	
21395		21395-LCD3-C00	GASKET MISSION CASE@A	GASKET MISSION CASE@A	1	
23411		23411-KHB4-C00	SHAFT DRIVE	SHAFT DRIVE	1	
23420		23420-LCD3-C00	SHAFT COMP COUNTER	SHAFT COMP COUNTER	1	
23432		23432-LCD3-C00	GEAR FINAL	GEAR FINAL	1	
2343A		2343A-KHB4-C00	SHAFT FINAL	SHAFT FINAL	1	
91003		91003-KDS4-C00	BRG BALL RADIAL 6301TMB	BRG BALL RADIAL 6301TMB	1	
91009		91009-GLE0-C00	BRG BALL RADIAL 6004 UU	BRG BALL RADIAL 6004 UU	1	
91255		91255-LDC8-E10	OIL SEAL 27*42*7	OIL SEAL 27*42*7	1	
91301		91301-OC53-W10	O RING 7.5*1.5	O RING 7.5*1.5	1	
95801		95801-06040-08	BOLT FLANGE 6*40 (C)	BOLT FLANGE 6*40 (C)	1	
96100		96100-60020-00	BEARING BALL RADIAL 6002	BEARING BALL RADIAL 6002	1	

F01

Head Light

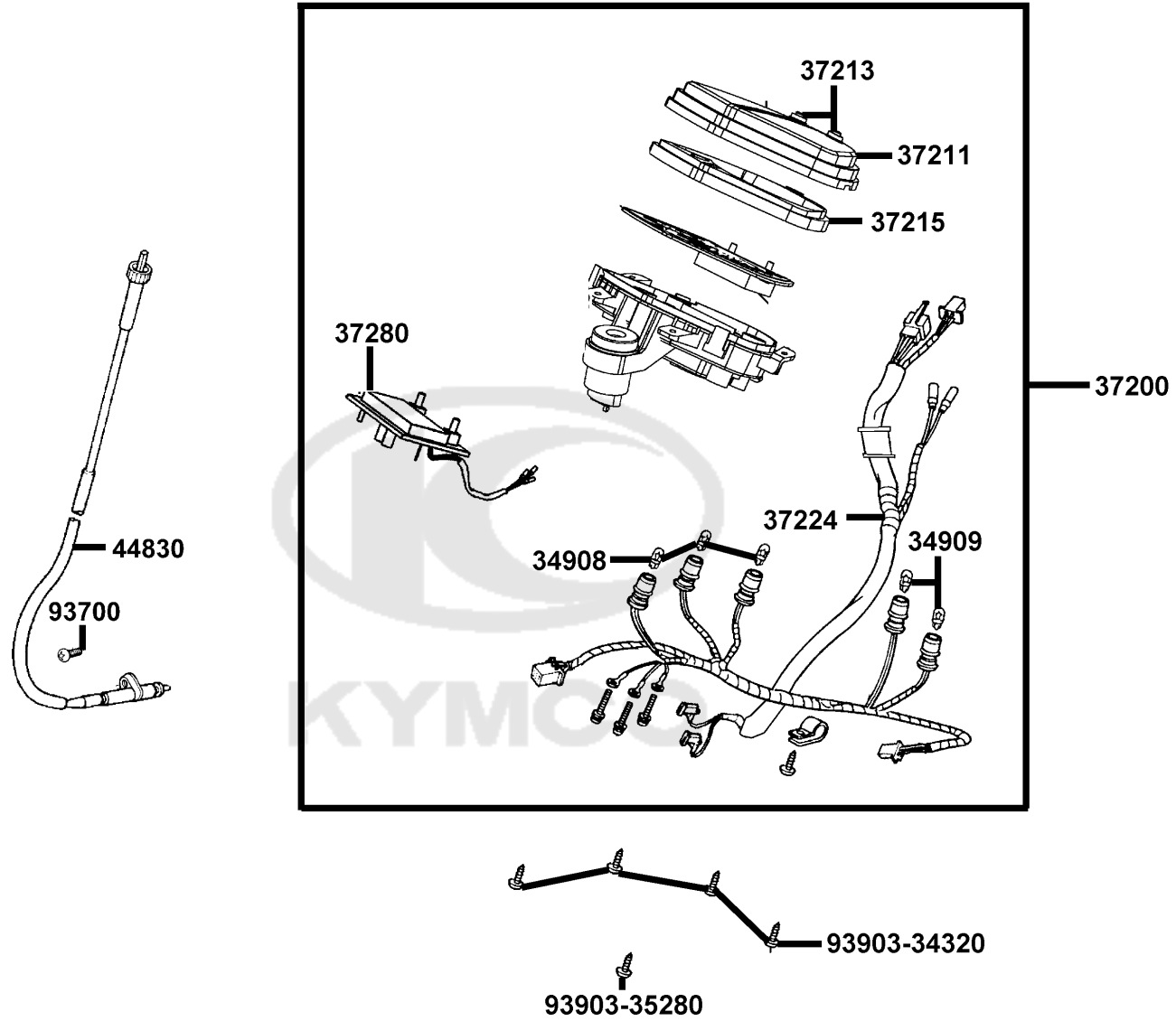




Sales mark	Ref no	Part no	Description	Reg description	Regd no	<b>F01</b>
	33100	33100-LFC2-E10	LIGHT ASSY HEAD	LIGHT ASSY HEAD	1	
	33108	33108-LFC2-E10	SOCKET COMP HEAD LIGHT	SOCKET COMP HEAD LIGHT	1	
	34901	34901-LDC8-E10	BULB HEAD LIGHT	BULB HEAD LIGHT	1	
	34903	34903-LDC8-E10	BULB POSITON	BULB POSITON	1	
	93903	93903-35320	BOLT FLANGE 5*16	BOLT FLANGE 5*16	7	
						

F02

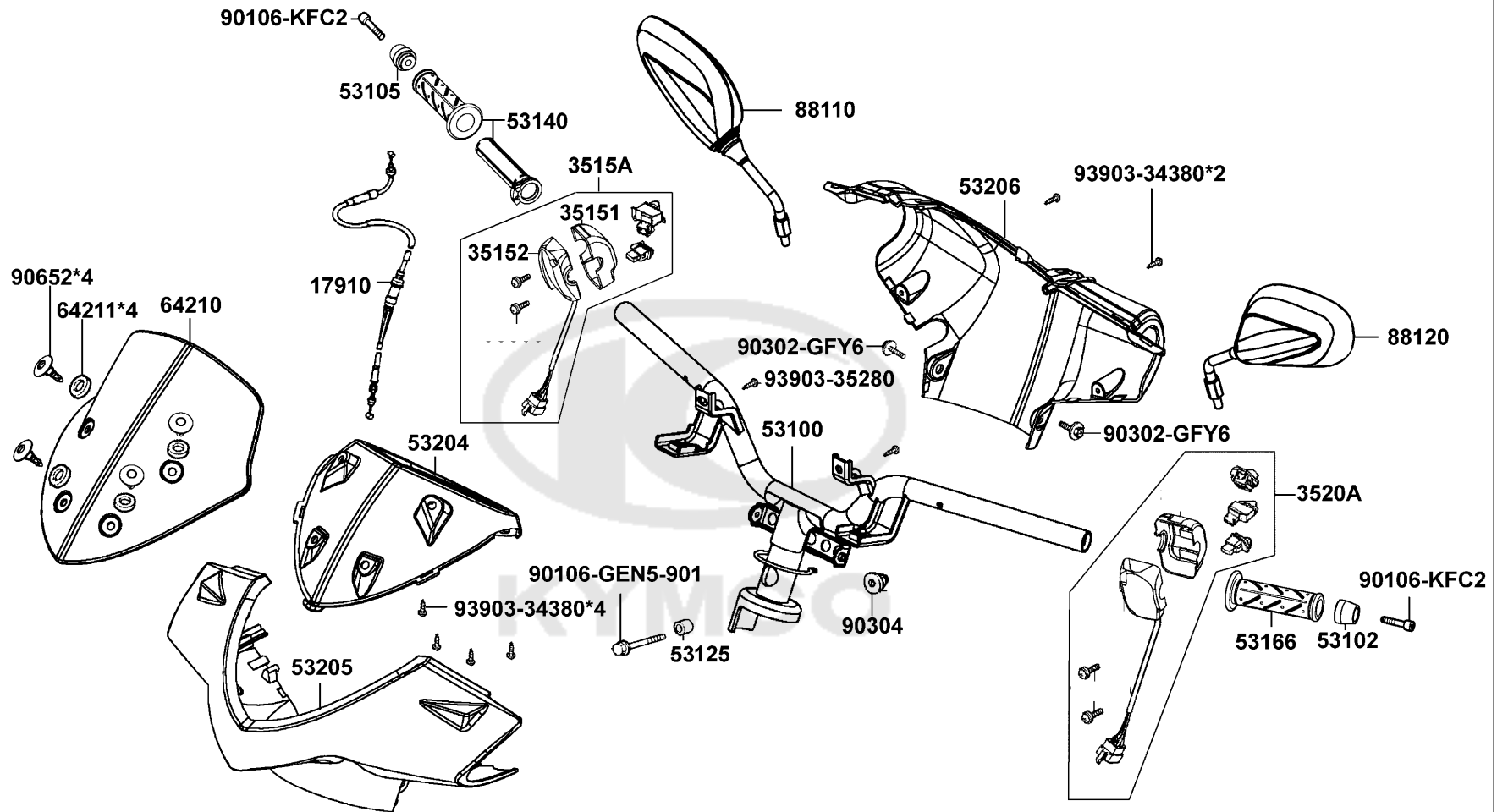
Speedometer



Sales mark	Ref no	Part no	Description	Reg description	Regd no	<b>F02</b>
34908		34908-LEJ2-E00	BULB WEDGE BASE T10	BULB WEDGE BASE T10	3	
34909		34909-LEJ2-E00	BULB WEDGE BASE T10	BULB WEDGE BASE T10	2	
37200		37200-LFC3-E10	METER ASSY SPEED	METER ASSY SPEED	1	
37211		37211-LFC2-E10	LENS COMP METER	LENS COMP METER	1	
37213		37213-LFC2-E10	BUTTON ADJUST	BUTTON ADJUST	2	
37215		37215-LFC2-E10	PLATE COSMETIC	PLATE COSMETIC	1	
37224		37224-LFC2-E10	SOCKET COMP METER	SOCKET COMP METER	1	
37280		37280-LEJ2-E0A	LCD ASSY (LOCK)/XD	LCD ASSY (LOCK)/XD	1	
44830		44830-LCD3-C00	CABLE COMP SPDMT	CABLE COMP SPDMT	1	
93700		93700-05018-0H	SCREW OVAL 5*18 ?	SCREW OVAL 5*18 ?	1	
93903-34320		93903-34320	SCREW TAPPING 4*12 (C)	SCREW TAPPING 4*12 (C)	4	
93903-35280		93903-35280	SCREW TAPPING 5*12 (K)	SCREW TAPPING 5*12 (K)	1	

F03

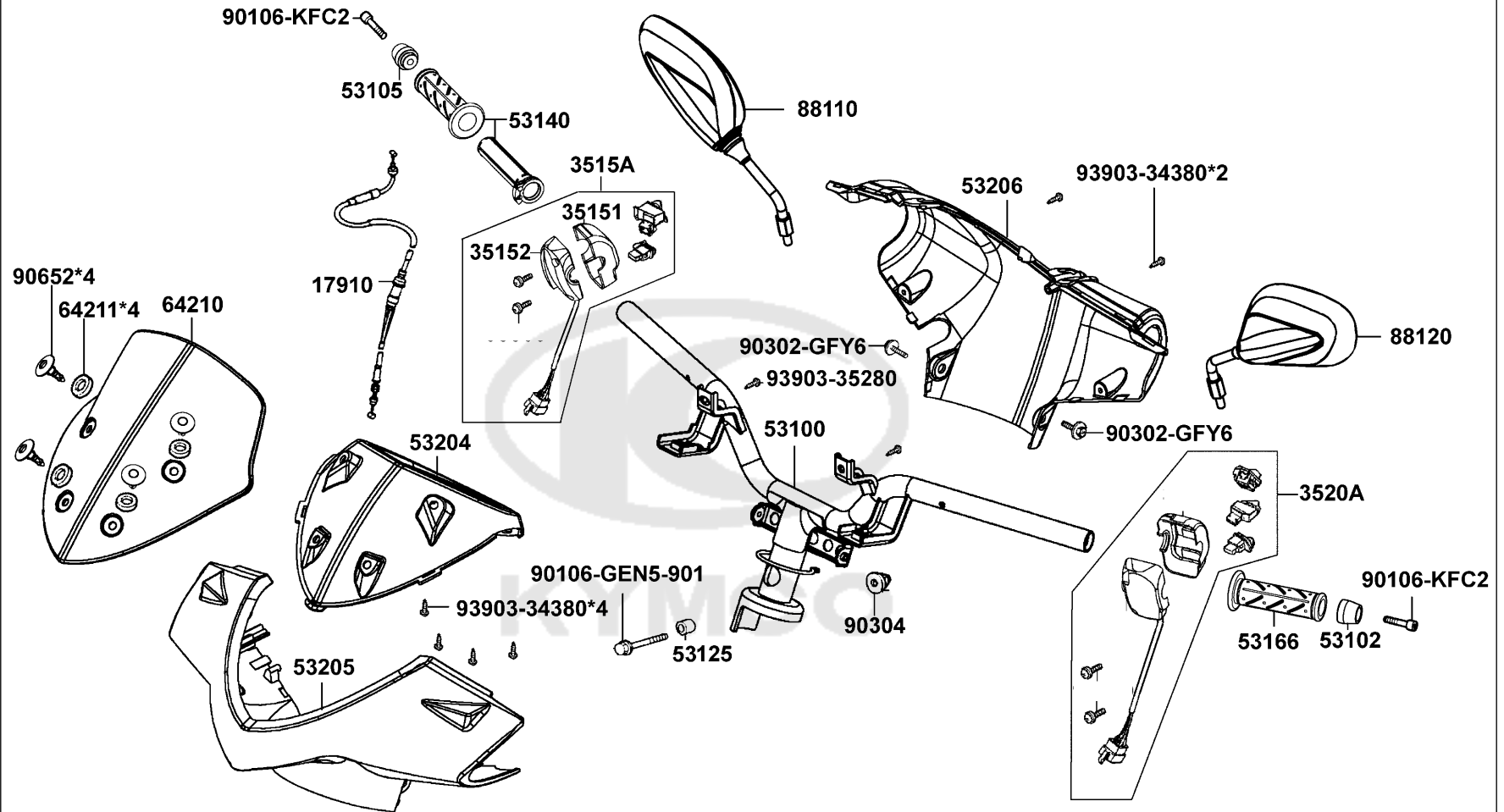
# Handle Steering Handle Cover



Sales mark	Ref no	Part no	Description	Reg description	Regd no	F03
	17910	17910-KHD8-C00	CABLE COMP THROT	CABLE COMP THROT	1	
	35151	35151-KGBG-C00	FR CASE RH HNDL COMP SW	FR CASE RH HNDL COMP SW	1	
	35152	35152-LGB5-E10	RR CASE RH HNDL COMP SW	RR CASE RH HNDL COMP SW	1	
	3515A	3515A-LGB5-E10	SW ASSY RH HANDLE COMP	SW ASSY RH HANDLE COMP	1	
	3520A	3520A-LCD3-C00	SW ASSY LH HNDL COMP	SW ASSY LH HNDL COMP	1	
	53100	53100-LFC3-E10	"HANDLE COMP.,STRG"	"HANDLE COMP.,STRG"	1	
	53102	53102-LFC3-E10	"END,L HANDLE"	"END,L HANDLE"	1	
	53105	53105-LFC3-E10	"END,R HANDLE"	"END,R HANDLE"	1	
	53125	53125-GEN5-C00	COLLAR HANDLE SET	COLLAR HANDLE SET	1	
	53140	53140-LEJ2-E10	GRIP COMP THROT	GRIP COMP THROT	1	
	53166	53166-LEJ2-E10	GRIP L HANDLE	GRIP L HANDLE	1	
**	53204	53204-LFC2-E10	COVER METER	COVER METER	1	
**	53205	53205-LFC2-E10	COVER HANDLE FR	COVER HANDLE FR	1	
**	53206	53206-LFC2-E10	COVER HANDLE RR	COVER HANDLE RR	1	
**	64210	64210-LFC2-E10	ASSY METER VISOR	ASSY METER VISOR	1	
	64211	64211-LFC2-E10	SPONGE VISOR	SPONGE VISOR	4	
**	88110	88110-LEB5-C11	MIRROR ASSY R BACK	MIRROR ASSY R BACK	1	
**	88120	88120-LEB5-C11	MIRROR ASSY L BACK	MIRROR ASSY L BACK	1	
	90106-GEN5	90106-GEN5-901	BOLT FLANGE 10*50	BOLT FLANGE 10*50	1	
	90106-KFC2	90106-KFC2-900	BOLT-WASH. 8MM	BOLT-WASH. 8MM	2	

F03

# Handle Steering Handle Cover



Sales mark	Ref no	Part no	Description	Reg description	Regd no	<b>F03</b>
	90302	90302-LLB1-C00	WASHER PLAIN	WASHER PLAIN	1	
	90304	90304-GHE8-C00	NUT U 10MM (C)	NUT U 10MM (C)	1	
	90652	90652-LCA4-C10	CLIP MUDGUARD	CLIP MUDGUARD	1	
	93903-34380	93903-34380	BOLT FLANGE	BOLT FLANGE	6	
	93903-35280	93903-35280	SCREW TAPPING 5*12 (K)	SCREW TAPPING 5*12 (K)	2	



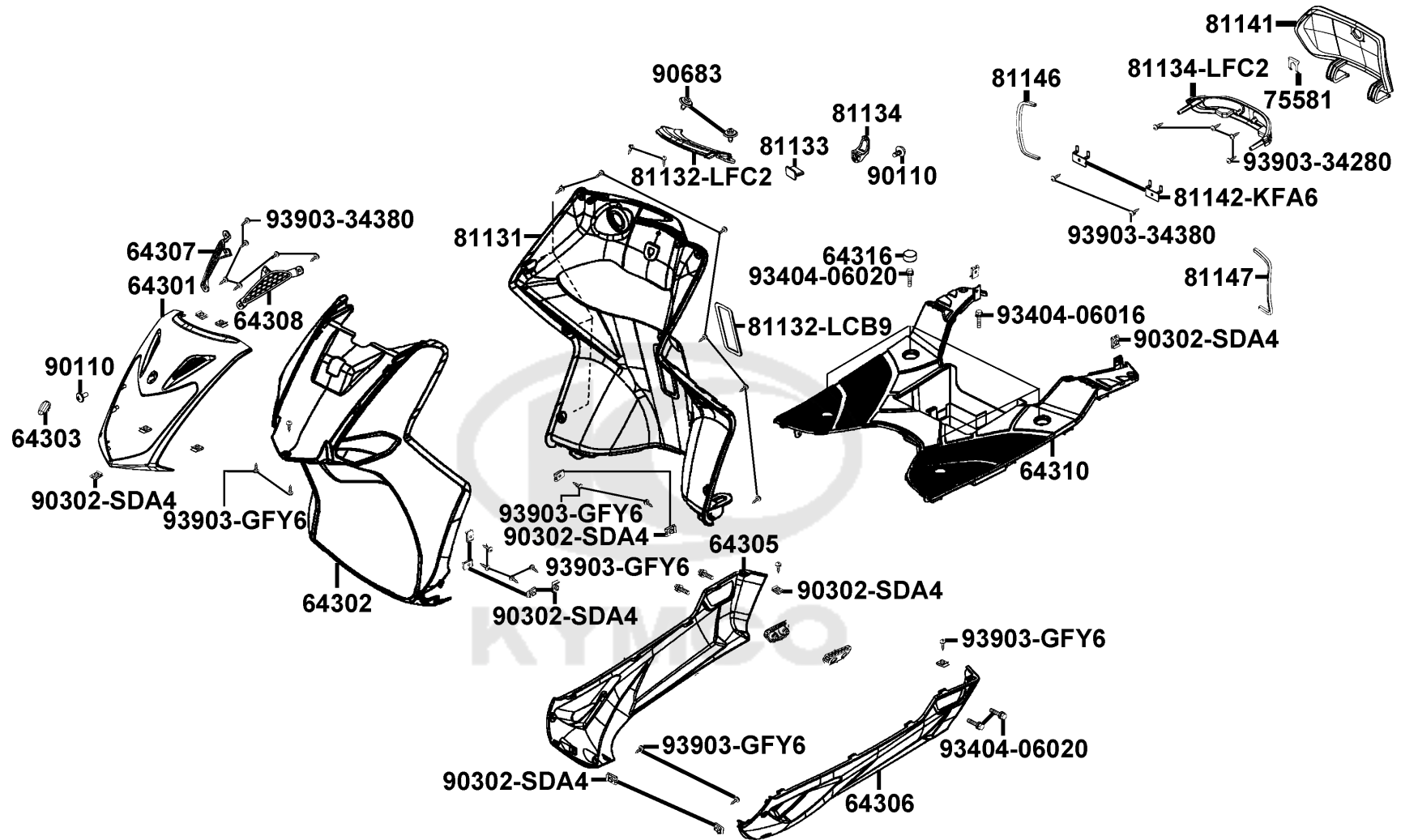




Sales mark	Ref no	Part no	Description	Reg description	Regd no	<b>F04</b>
	32101	32101-GFY6-C00	SUB CORD R/L	SUB CORD R/L	1	
	35340	35340-KNBN-901	SW ASSY FR STOP	SW ASSY FR STOP	1	
	35350	35350-KNBN-901	SW ASSY RR STOP	SW ASSY RR STOP	1	
	43100	43100-LFC3-E10	CALIPER ASSY RR BRK	CALIPER ASSY RR BRK	1	
	43126	43126-LFC3-E1A	HOSE ASSY RR BRK	HOSE ASSY RR BRK	1	
	4350B	4350B-LFC3-E10	SUB ASSY RR BRK	SUB ASSY RR BRK	1	
	45105-LEJ2	45105-LEJ2-306	PAD COMP A+B	PAD COMP A+B	1	
	45105-LFC3	45105-LFC3-305	PAD COMP A+B	PAD COMP A+B	1	
	45126	45126-LFC2-E10	HOSE ASSY FR BRK	HOSE ASSY FR BRK	1	
	4550A	4550A-LFC2-E1A	M/C ASSY FR	M/C ASSY FR	1	
	4550B	4550B-LFC2-E10	SUB ASSY FR BRK	SUB ASSY FR BRK	1	
	53175	53175-KTCT-C00	LEVER R STRG HNDL	LEVER R STRG HNDL	1	
**	53178	53178-KNBN-C00	LEVER L STRG HANDLE	LEVER L STRG HANDLE	1	
	90131-GLW0	90131-GLW0-C00	BOLT FLANGE 8*35	BOLT FLANGE 8*35	1	
	90131-KFAF	90131-KFAF-C00	BOLT FLANGE 8*42	BOLT FLANGE 8*42	1	
	90145	90145-9A61-C00	OIL BOLT 10*22	OIL BOLT 10*22	1	
	90545	90545-3L00-C00	WASHER OIL BOLT	WASHER OIL BOLT	1	
	96001-06022	96001-06022-08	BOLT FLANGE 6*22	BOLT FLANGE 6*22	2	

F05

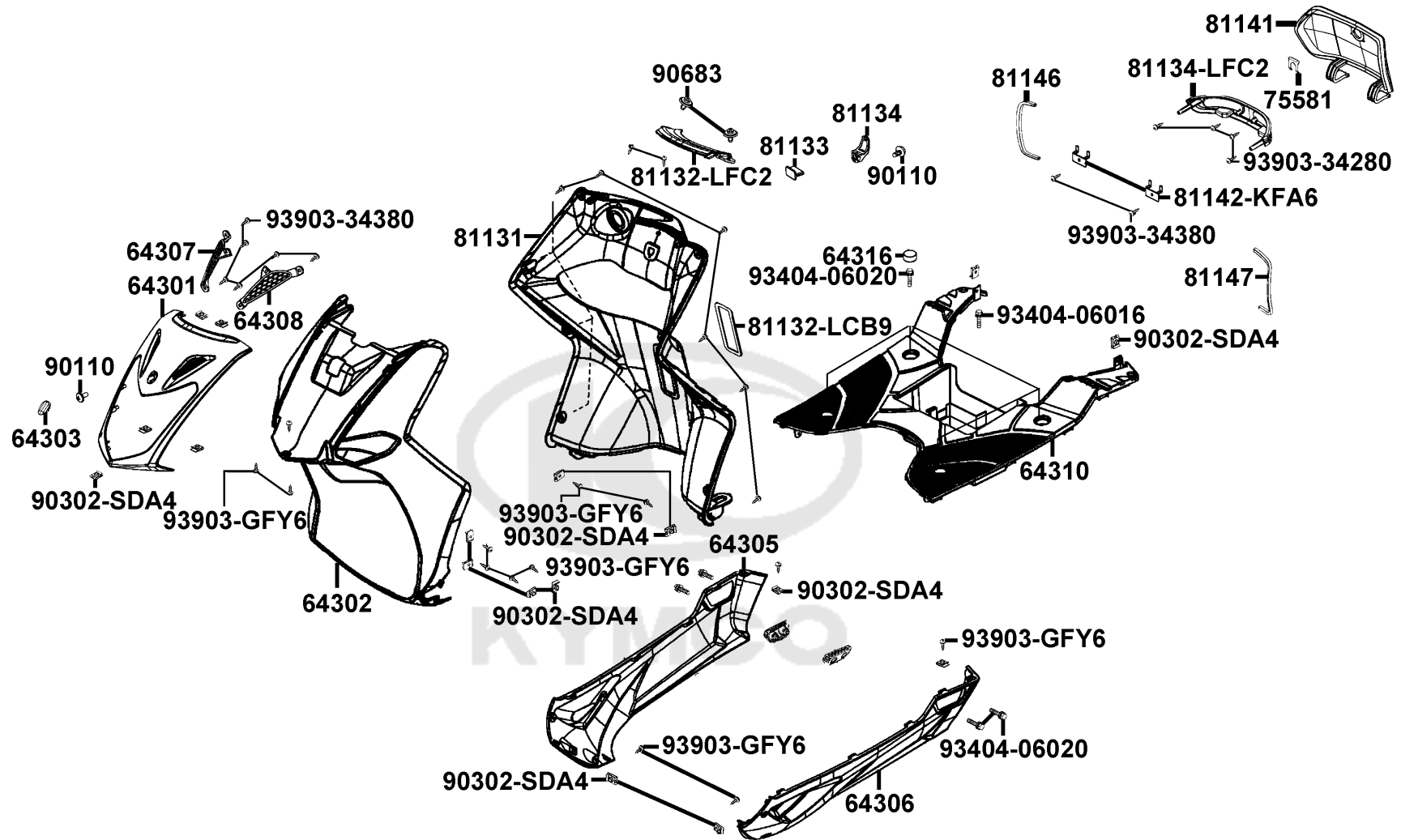
Front Cover Front Fender



Sales mark	Ref no	Part no	Description	Reg description	Regd no	F05
**	64301	64301-LFC2-E10	"COVER, FRONT"	"COVER, FRONT"	1	
**	64302	64302-LFC2-E10	MOLD FRONT	MOLD FRONT	1	
**	64303	64303-LFC2-E10	CAP FR COVER	CAP FR COVER	1	
**	64305	64305-LFC2-E10	SKIRT R SIDE	SKIRT R SIDE	1	
**	64306	64306-LFC2-E10	SKIRT L SIDE	SKIRT L SIDE	1	
**	64307	64307-LFC2-E10	GRILLE R FR MOLDING	GRILLE R FR MOLDING	1	
**	64308	64308-LFC2-E10	GRILLE L FR MOLDING	GRILLE L FR MOLDING	1	
**	64310	64310-LFC2-E11	FLOOR PANEL	FLOOR PANEL	1	
	64316	64316-LCB9-C10	PLUG FLOOR	PLUG FLOOR	4	
	75581	75581-6C73-C00	SET SPG LOCK KET(43°C)	SET SPG LOCK KET(43°C)	1	
**	81131	81131-LFC2-E10	LEG SHIELD	LEG SHIELD	1	
	81132-LCB9	81132-LCB9-C10	LID LEG SHIELD	LID LEG SHIELD	1	
**	81132-LFC2	81132-LFC2-E10	CAP LEG SHIELD UP	CAP LEG SHIELD UP	1	
	81133	81133-KNBN-C00	STOPPER LUGGAGENH268	STOPPER LUGGAGENH268	1	
	81134	81134-KGBG-9000	HOOK LUGGAGE	HOOK LUGGAGE	1	
**	81134-LFC2	81134-LFC2-E10	PLATE INNER BOX	PLATE INNER BOX	1	
**	81141	81141-LFC2-E10	LID INNER BOX	LID INNER BOX	1	
	81142-KFA6	81142-KFA6-C00	STAY LID INNER BOX	STAY LID INNER BOX	1	
	81146	81146-LFC2-E10	SEAL A LID INNER BOX	SEAL A LID INNER BOX	1	
	81147	81147-LFC2-E10	SEAL B LID INNER BOX	SEAL B LID INNER BOX	1	

F05

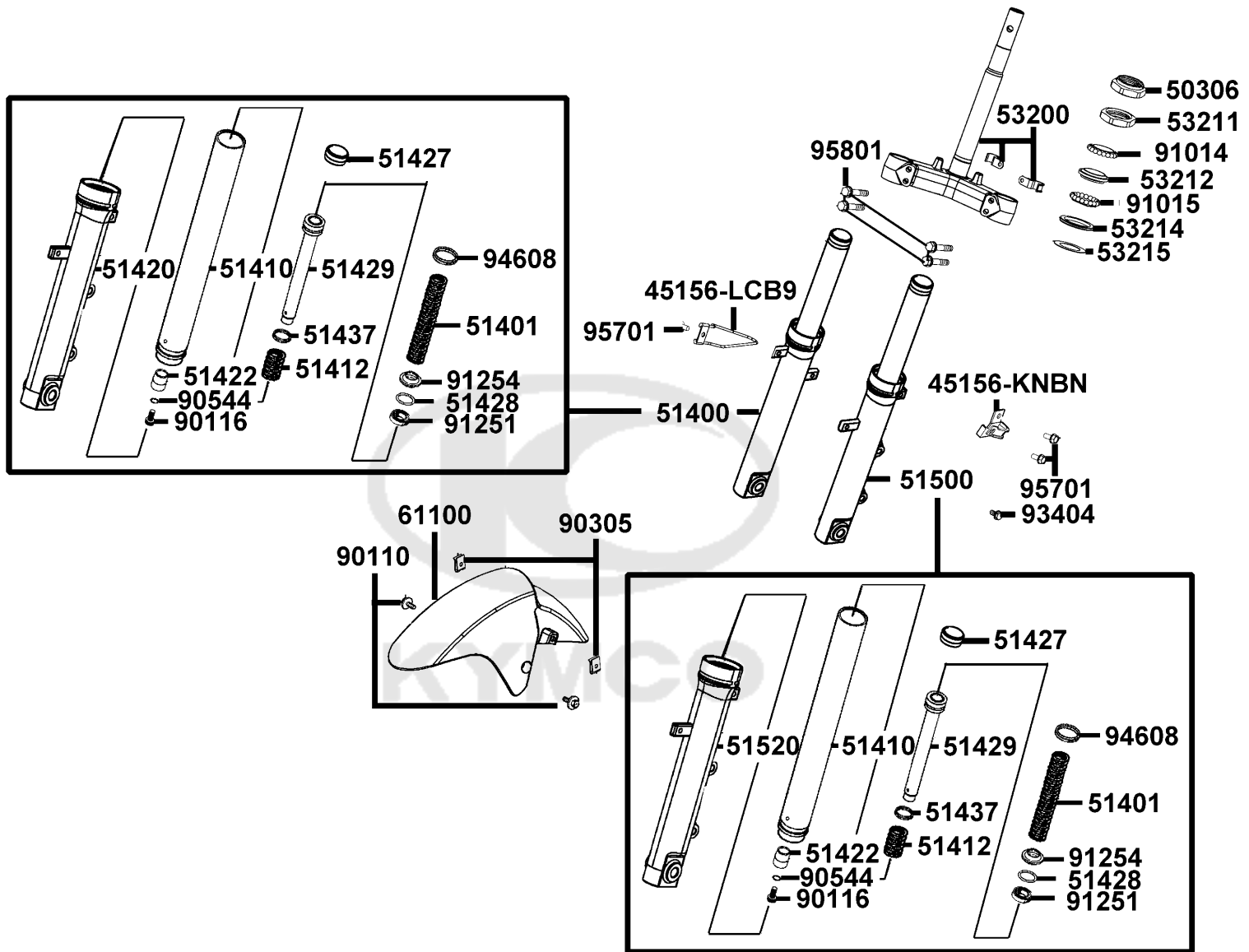
Front Cover Front Fender



Sales mark	Ref no	Part no	Description	Reg description	Regd no	F05
	90110	90110-GLW0-C00	SCREW SPECIAL 6*14	SCREW SPECIAL 6*14	1	
	90302-SDA4	90302-SDA4-C00	NUT SPRING 4MM	NUT SPRING 4MM	1	
	90683	90683-GAR1-C00	CLIP BODY COVER	CLIP BODY COVER	1	
	93404-06016	93404-06016-07	BOTL WASHER 6*16(K)	BOTL WASHER 6*16(K)	1	
	93404-06020	93404-06020-07	BOLT WASHER 6*20(K)	BOLT WASHER 6*20(K)	8	
	93903-34280	93903-34280	SCREW TAPPING 4*10	SCREW TAPPING 4*10	4	
	93903-34380	93903-34380	BOLT FLANGE	BOLT FLANGE	16	
	93903-GFY6	93903-GFY6-C00	SCREW TAPPING 4*14	SCREW TAPPING 4*14	1	

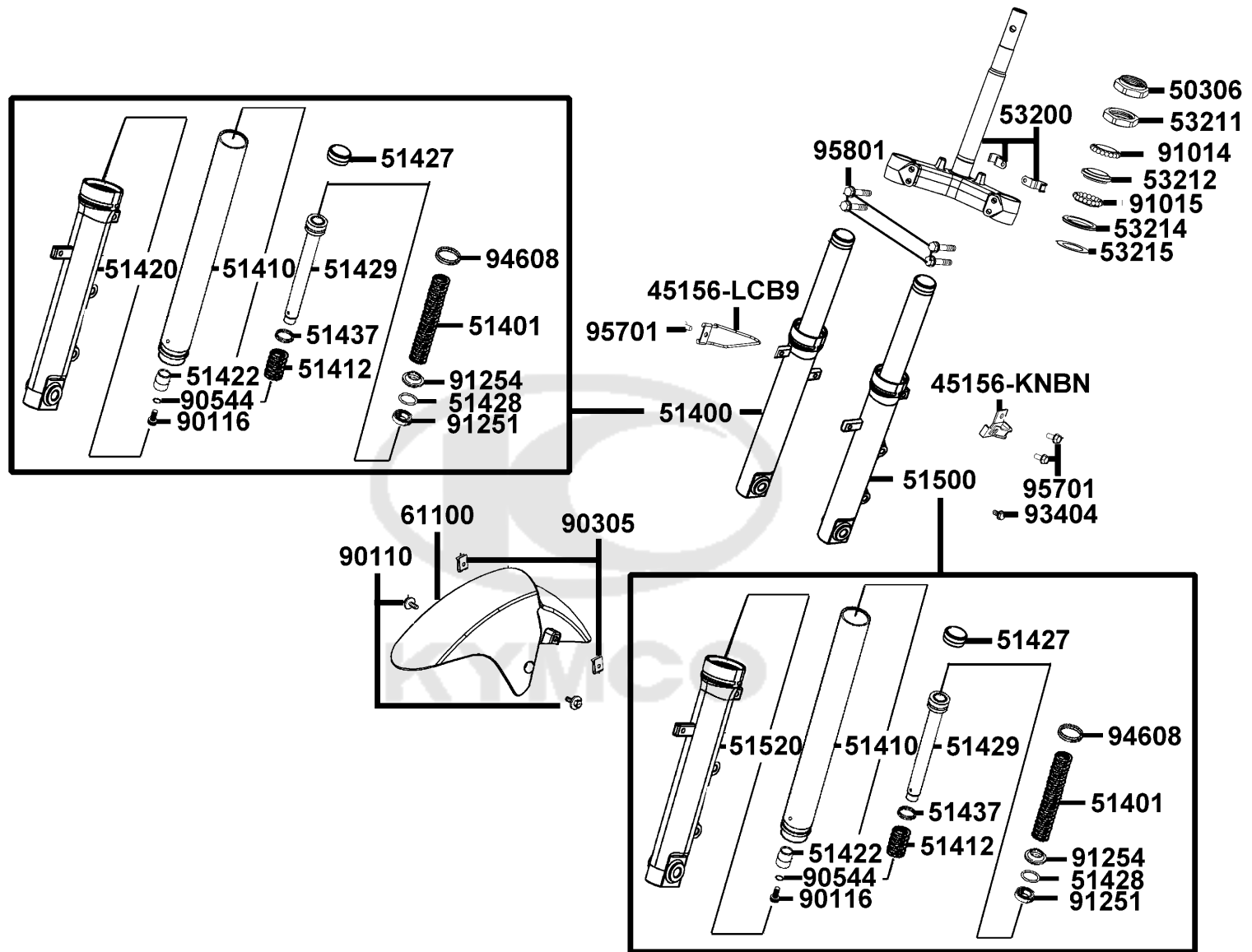


Stem Steering Front Cushion



Sales mark	Ref no	Part no	Description	Reg description	Regd no	F06
	45156-KNBN	45156-KNBN-C00	CLAMPER FR BRAKE HOSE	CLAMPER FR BRAKE HOSE	1	
	45156-LCB9	45156-LCB9-B20	CLAMPER METER CABLE	CLAMPER METER CABLE	1	
	50306	50306-1F96-C00	NUT STRG STEM LOCK	NUT STRG STEM LOCK	1	
**	51400	51400-LFC2-E80	FORK ASSY R FR	FORK ASSY R FR	1	
	51401	51401-LEJ2-E10	SPRING	SPRING	2	
	51410	51410-LEJ2-E10	FORK PIPE COMP	FORK PIPE COMP	2	
	51412	51412-LEJ2-E10	REBOUND SPRING	REBOUND SPRING	2	
	51420	51420-LFC2-E10	BOTTOM CASE RH	BOTTOM CASE RH	1	
	51422	51422-LEJ2-E10	OIL LOCK PIECE	OIL LOCK PIECE	2	
	51427	51427-LEJ2-E10	FORK BOLT	FORK BOLT	2	
	51428	51428-LEJ2-E10	OIL SEAL STOPPER RING	OIL SEAL STOPPER RING	2	
	51429	51429-LEJ2-E10	PIPE SEAT	PIPE SEAT	2	
	51437	51437-LEJ2-E10	PISTON RING	PISTON RING	2	
**	51500	51500-LFC2-E80	FORK ASSY L FR	FORK ASSY L FR	1	
	51520	51520-LFC2-E10	BOTTOM CASE L	BOTTOM CASE L	1	
	53200	53200-LFC2-E10	STEM ASSY STRG	STEM ASSY STRG	1	
	53211	53211-GFY6-C00	RACE STRG TOP CONE	RACE STRG TOP CONE	1	
	53212	53212-2L50-C00	RACE (STRG BOTTOM) CONE	RACE (STRG BOTTOM) CONE	1	
	53214	53214-2L50-C00	DUST SEAL STRG HEAD	DUST SEAL STRG HEAD	1	
	53215	53215-2L50-C00	WASHER STRG HDL DUST-SEAL	WASHER STRG HDL DUST-SEAL	1	

Stem Steering Front Cushion

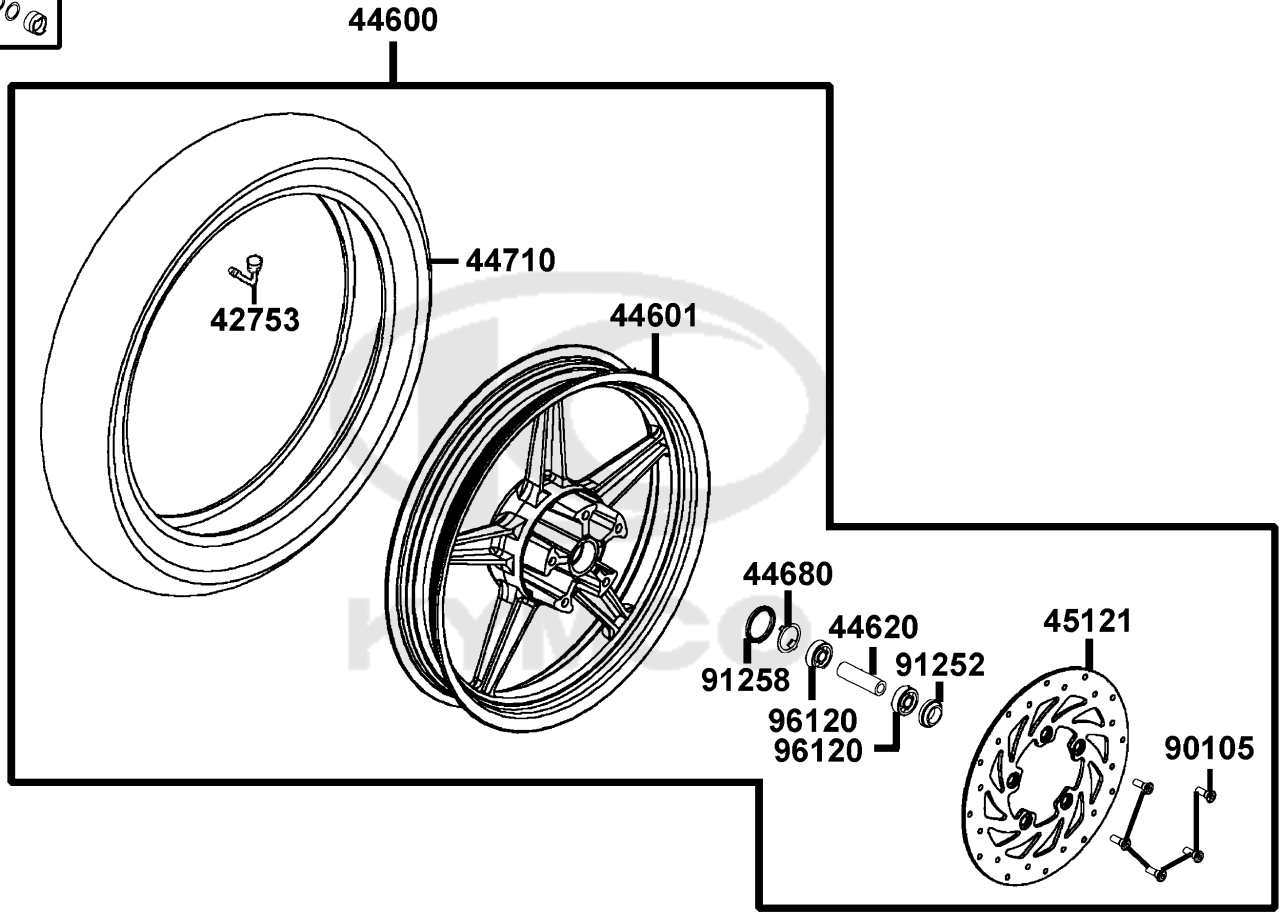
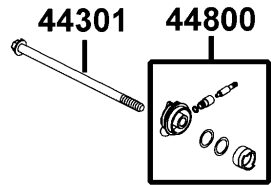




Sales mark	Ref no	Part no	Description	Reg description	Regd no	<b>F06</b>
**	61100	61100-LFC2-E10	FENDER FR	FENDER FR	1	
	90110	90110-KEB7-C00	SCREW SPECIAL 6*14	SCREW SPECIAL 6*14	1	
	90116	90116-LEJ2-E10	BOLT	BOLT	2	
	90305	90305-GHK8-C00	NUT CLIP 6MM	NUT CLIP 6MM	1	
	90544	90544-LEJ2-E10	PACKINGCUB	PACKINGCUB	1	
	91014	91014-LLJ3-C00	CAGE STRG TOPP	CAGE STRG TOPP	1	
	91015	91015-LLJ3-C00	CAGE STRG BOT	CAGE STRG BOT	1	
	91251	91251-LEJ2-E10	OIL SEAL	OIL SEAL	1	
	91254	91254-LEJ2-E10	DUST SEAL	DUST SEAL	1	
	93404	93404-06022-07	BOLT WASHER 6*22 (K)	BOLT WASHER 6*22 (K)	2	
	94608	94608-LEJ2-E10	O-RING B	O-RING B	1	
	95701	95701-06012-08	BOLT FLANGE 6*12	BOLT FLANGE 6*12	3	
	95801	95801-08040-08	BOLT FLANGE 8*40 (C)	BOLT FLANGE 8*40 (C)	4	

F07

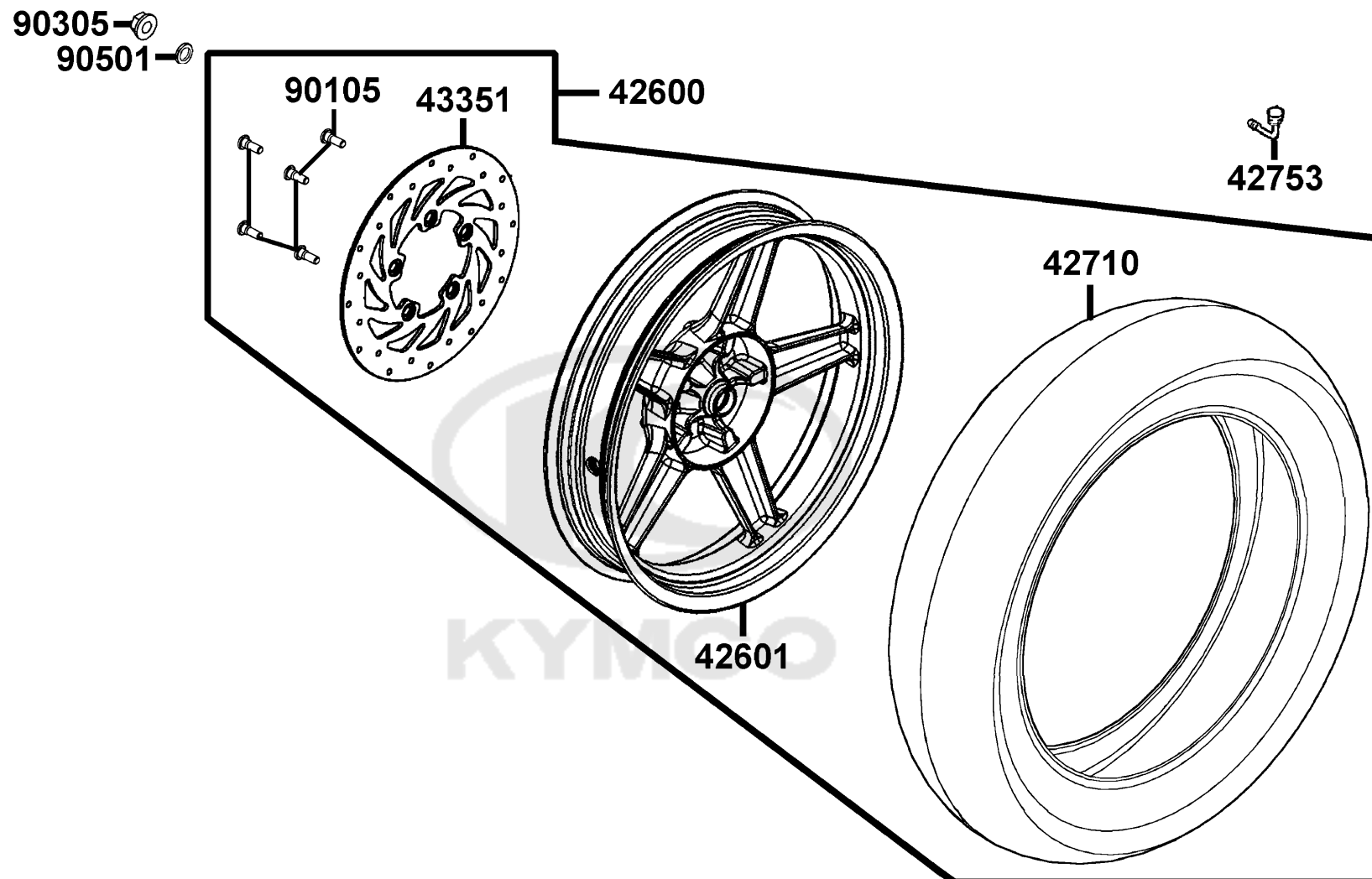
Front Wheel



Sales mark	Ref no	Part no	Description	Reg description	Regd no	<b>F07</b>
42753		42753-0A01-C00	CAP VALVE	CAP VALVE	1	
44301		44301-LEJ2-E10	AXLE FR WHEEL	AXLE FR WHEEL	1	
44311		44311-LFC2-E10	COLLAR FR WHEEL SIDE	COLLAR FR WHEEL SIDE	1	
44600		44600-LFC2-E10	WHEEL ASSY FR	WHEEL ASSY FR	1	
44601		44601-LFC2-E10	WHEEL CAST FR	WHEEL CAST FR	1	
44620		44620-KFLF-C00	COLLAR FR DIST	COLLAR FR DIST	1	
44680		44680-4L10-C00	RETAINER GEAR BOX	RETAINER GEAR BOX	1	
44710		44710-LFC2-E10	TIRE ASSY FR	TIRE ASSY FR	1	
44800		44800-LKD1-E10	GEAR BOX ASSY SPDMT	GEAR BOX ASSY SPDMT	1	
45121		45121-LFC2-E80	"DISK,FR BRAKE LH"	"DISK,FR BRAKE LH"	1	
90105		90105-KCR3-001	BOLT FR DISK 8*24	BOLT FR DISK 8*24	5	
90306		90306-KLF0-C00	NUT FLANGE 12MM	NUT FLANGE 12MM	1	
91252		91252-0L30-004	OIL SEAL WHEEL 23*37*7	OIL SEAL WHEEL 23*37*7	1	
91258		91258-4L10-007	DUST SEAL 40*50*5	DUST SEAL 40*50*5	1	
96120		96120-63010-10	BEARING BALL RADIAL 6301	BEARING BALL RADIAL 6301	2	

F08

Rear Wheel

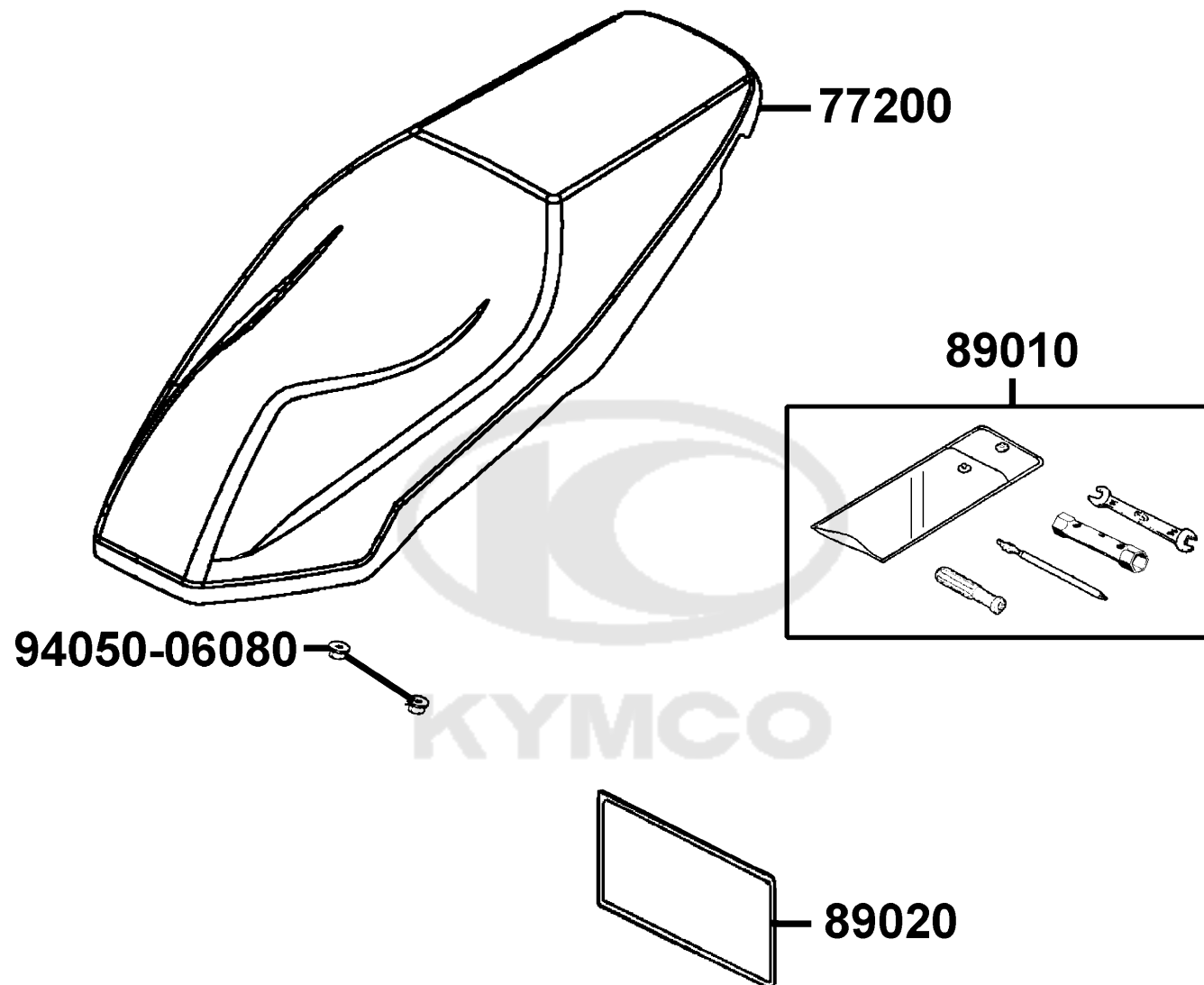


Sales mark	Ref no	Part no	Description	Reg description	Regd no	<b>F08</b>
	42600	42600-LFC3-E10	WHEEL ASSY RR	WHEEL ASSY RR	1	
**	42601	42601-LFC3-E10	WHEEL COMP RR CAST	WHEEL COMP RR CAST	1	
	42710	42710-LFC2-E10	TIRE ASSY RR	TIRE ASSY RR	1	
	42753	42753-0A01-C00	CAP VALVE	CAP VALVE	1	
	43351	43351-LFC3-E80	DISK RR BRAKE	DISK RR BRAKE	1	
	90105	90105-KCR3-001	BOLT FR DISK 8*24	BOLT FR DISK 8*24	1	
	90305	90305-KNBN-C00	NUT U 16MM(C)	NUT U 16MM(C)	1	
	90501	90501-KNBN-C00	WASHER 16MM	WASHER 16MM	1	



F09

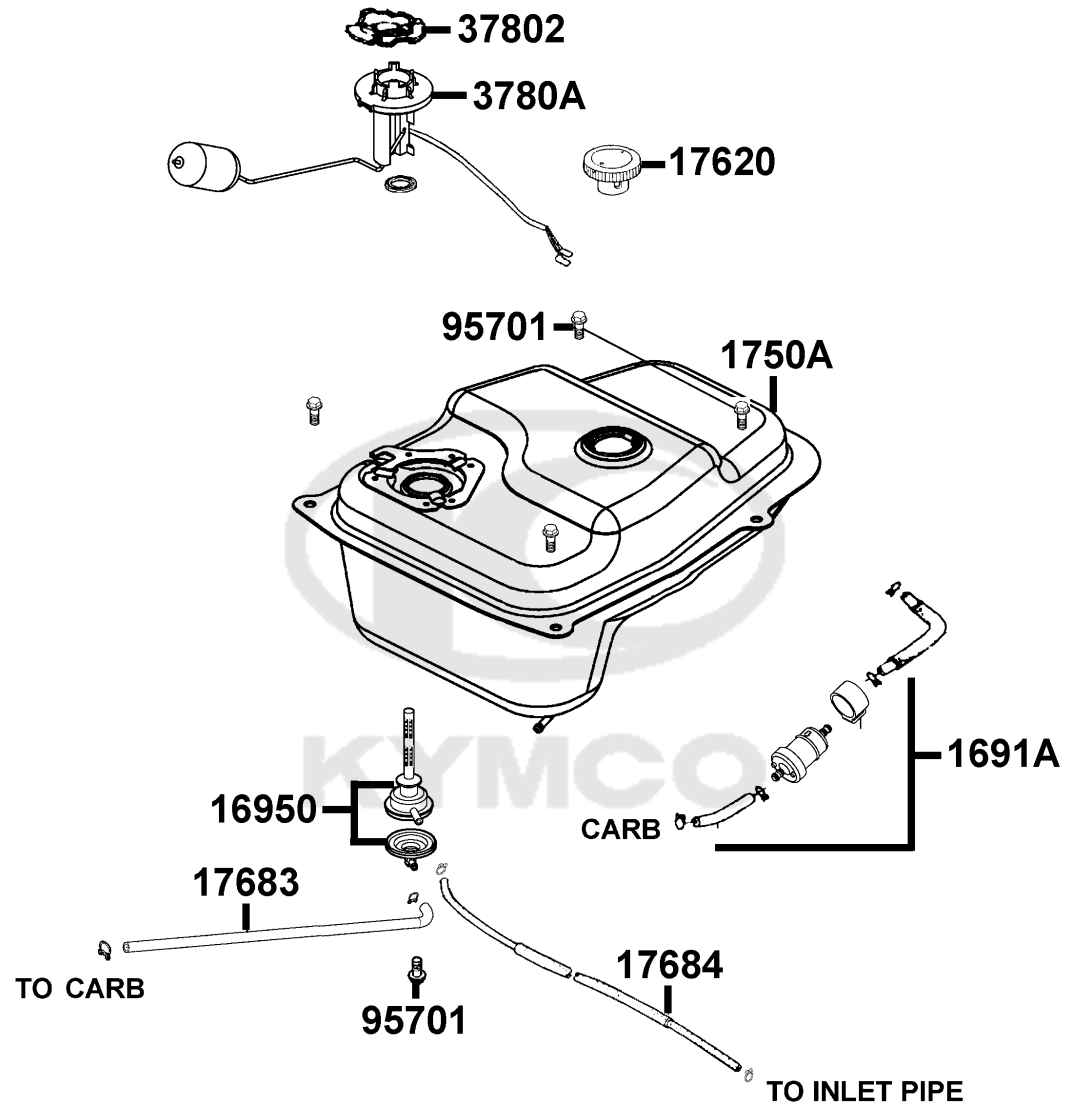
Seat



Sales mark	Ref no	Part no	Description	Reg description	Regd no	<b>F09</b>
------------	--------	---------	-------------	-----------------	---------	------------

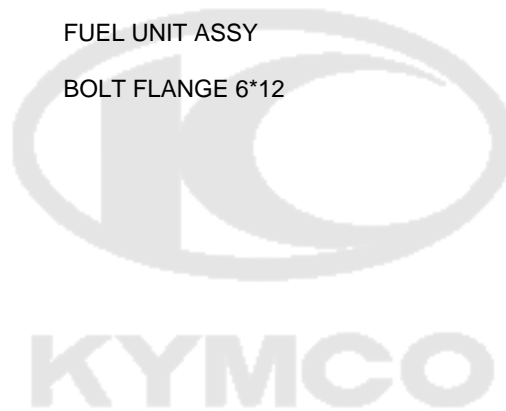
**	77200	77200-LFC3-E10	SEAT ASSY	SEAT ASSY	1	
	89010	89010-KGBG-C00	TOOL SET	TOOL SET	1	
	89020	89020-KKC4-900	BAND TOOL SET	BAND TOOL SET	1	
	94050	94050-06080	NUT FLANG 6MM	NUT FLANG 6MM	2	





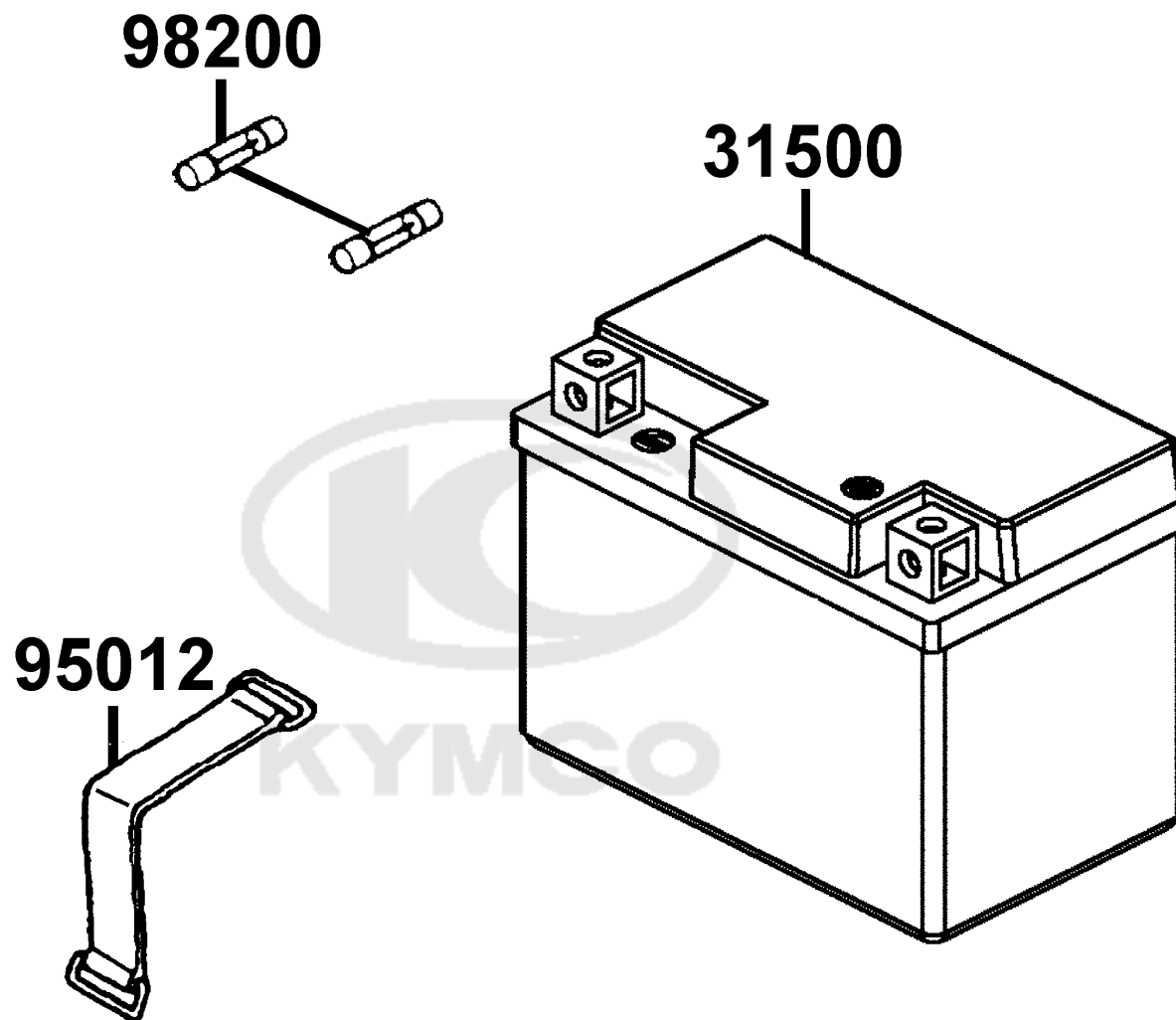


Sales mark	Ref no	Part no	Description	Reg description	Regd no	<b>F10</b>
1691A		1691A-LEJ2-E10	STRAINER ASSY FUEL	STRAINER ASSY FUEL	1	
16950		16950-LKL5-E30	AUTO COCK ASSY FUEL	AUTO COCK ASSY FUEL	1	
1750A		1750A-LEJ2-E10	TANK COMP. FUEL	TANK COMP. FUEL	1	
17620		17620-LBA8-C10	CAP FUEL FILLER	CAP FUEL FILLER	1	
17683		17683-LFC3-E10	TUBE ASSY COCK-CARB	TUBE ASSY COCK-CARB	1	
17684		17684-LFC3-E10	TUBE ASSY COCK-INLET PIPE	TUBE ASSY COCK-INLET PIPE	1	
37802		37802-GGA7-C00	RET FUEL UNIT	RET FUEL UNIT	1	
3780A		3780A-LEJ2-E10	FUEL UNIT ASSY	FUEL UNIT ASSY	1	
95701		95701-06012-08	BOLT FLANGE 6*12	BOLT FLANGE 6*12	5	



F11

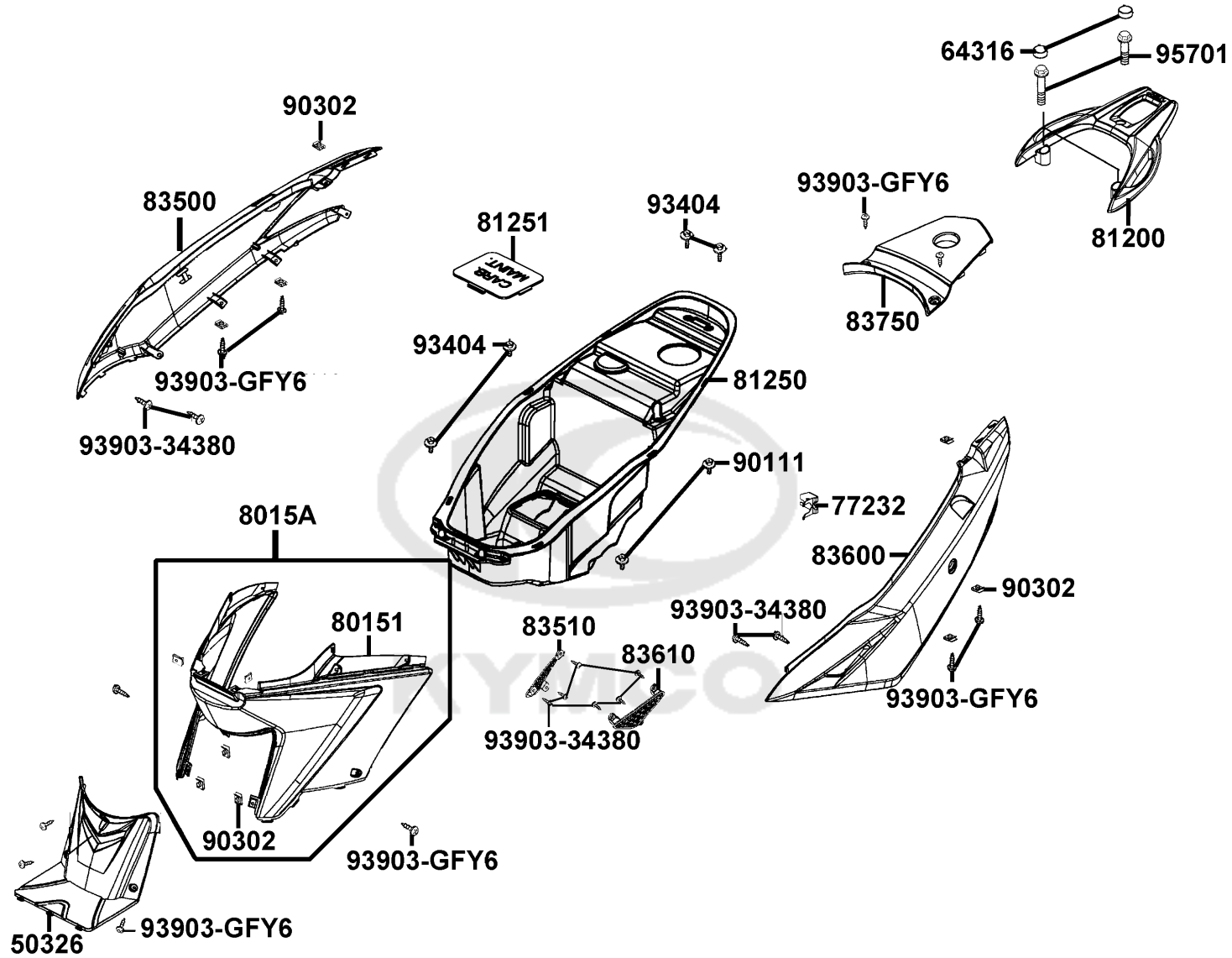
Battery



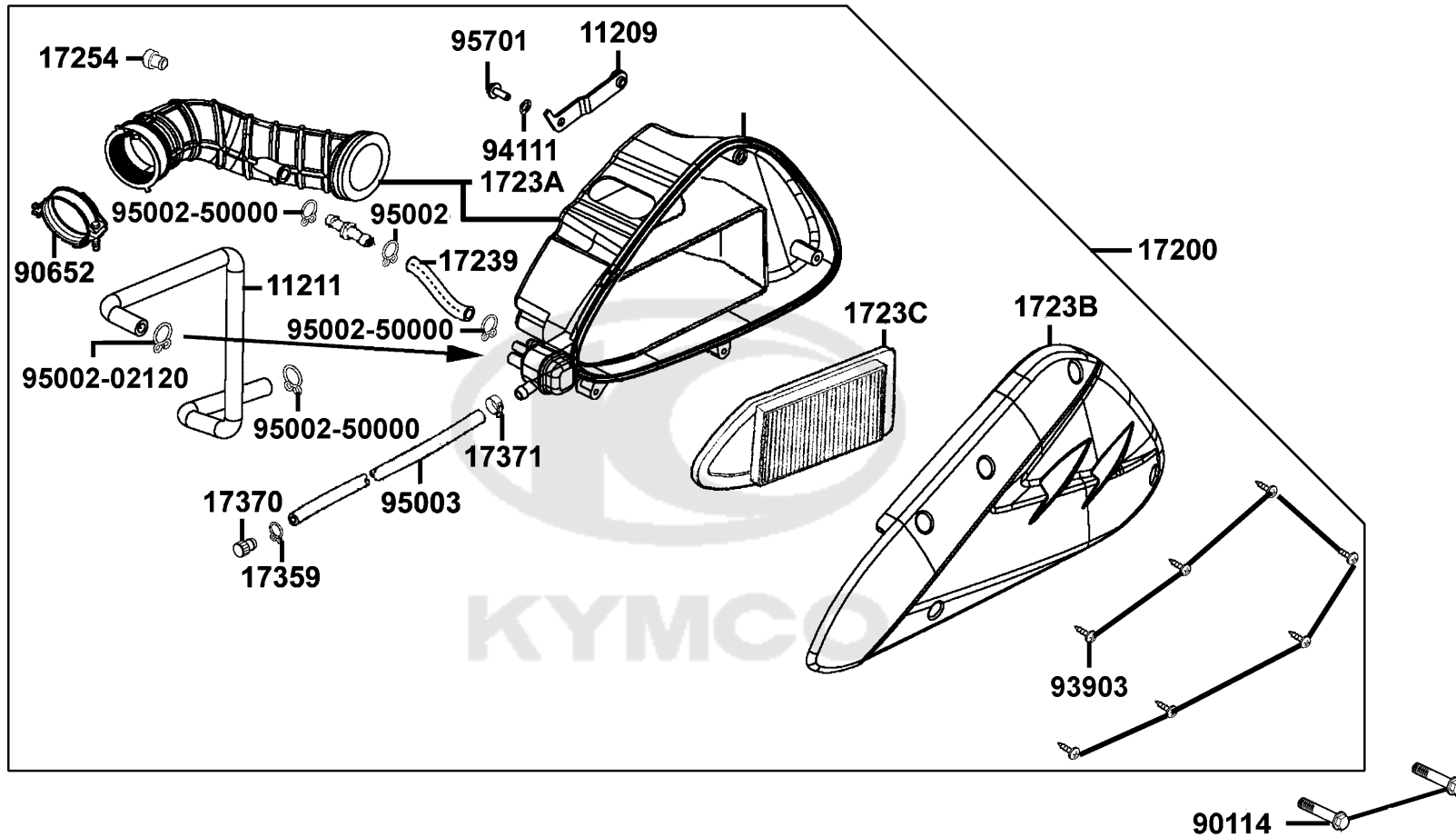
Sales mark	Ref no	Part no	Description	Reg description	Regd no	<b>F11</b>
------------	--------	---------	-------------	-----------------	---------	------------

31500		31500-GFY6-C00	BATTERY GTX6L-BS	BATTERY GTX6L-BS	1	
95012		95012-LEJ2-E10	BAND BATTERY	BAND BATTERY	1	
98200		98200-10700	FUSE A7	FUSE A7	2	





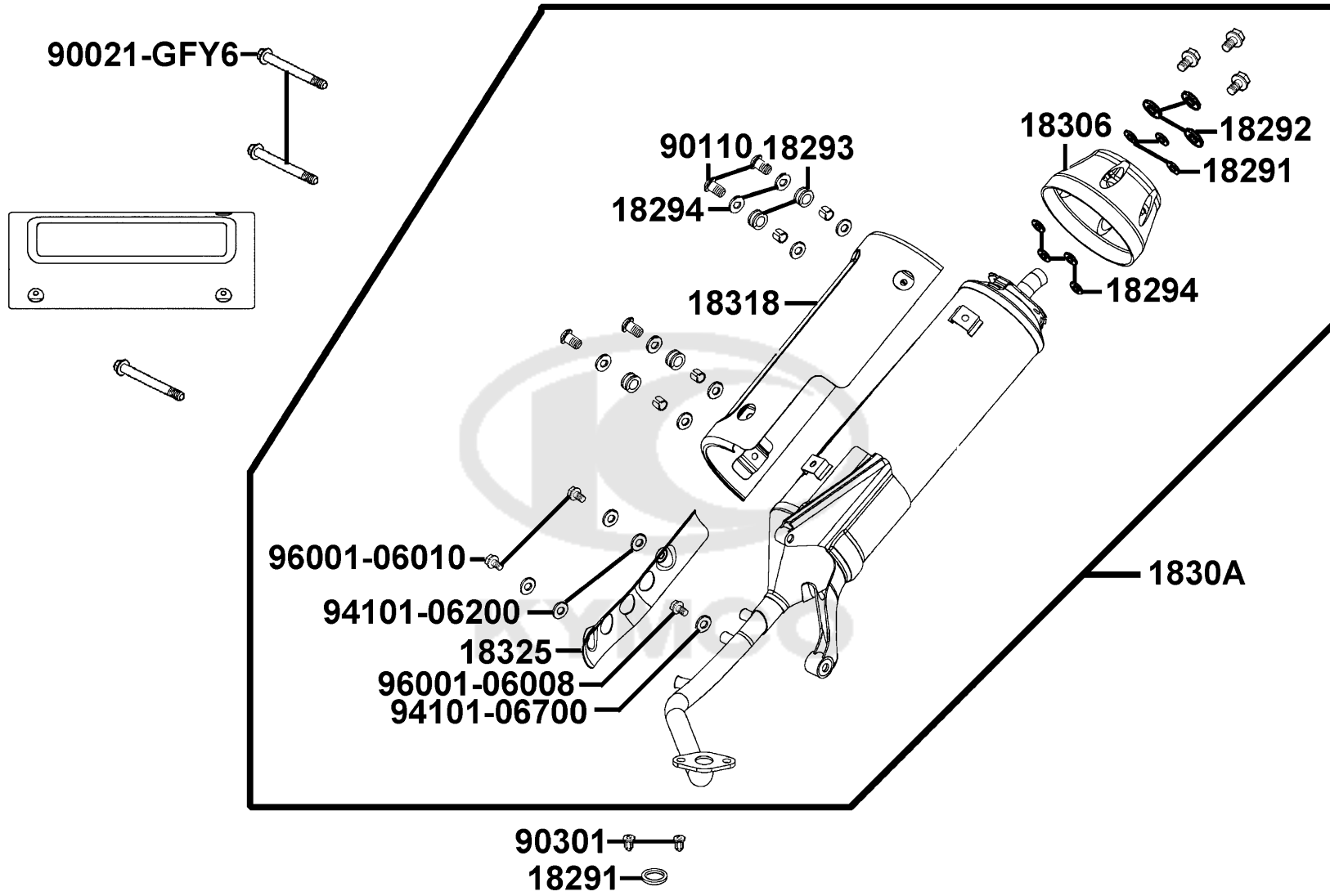
Sales mark	Ref no	Part no	Description	Reg description	Regd no	F12
**	50326	50326-LFC2-E10	COVER BATTERY	COVER BATTERY	1	
	64316	64316-LCB9-C10	PLUG FLOOR	PLUG FLOOR	3	
	77232	77232-KCAC-C00	SET SPG SEAT LOCK	SET SPG SEAT LOCK	1	
**	80151	80151-LFC2-E10	COVER CENTER	COVER CENTER	1	
**	8015A	8015A-LFC2-E10	COVER ASSY CENTER	COVER ASSY CENTER	1	
**	81200	81200-LFC2-E10	CARRIER RR	CARRIER RR	1	
	81250	81250-LFC2-E10	BOX LUGGAGE	BOX LUGGAGE	1	
	81251	81251-LEJ3-E10	COVER CARB. MAINT	COVER CARB. MAINT	1	
**	83500	83500-LFC2-E10	COVER R BODY	COVER R BODY	1	
**	83510	83510-LFC2-E10	GRILL R SIDE	GRILL R SIDE	1	
**	83600	83600-LFC2-E10	COVER L BODY	COVER L BODY	1	
**	83610	83610-LFC2-E10	GRILL L SIDE	GRILL L SIDE	1	
**	83750	83750-LFC2-E10	COVER RR CENTER	COVER RR CENTER	1	
	90111	90111-1G87-C00	BOLT FLANGE 6MM	BOLT FLANGE 6MM	1	
	90302	90302-SDA4-C00	NUT SPRING 4MM	NUT SPRING 4MM	1	
	93404	93404-06012-07	BOLT WASHER 6*12(K)	BOLT WASHER 6*12(K)	4	
	93903-34380	93903-34380	BOLT FLANGE	BOLT FLANGE	10	
	93903-GFY6	93903-GFY6-C00	SCREW TAPPING 4*14	SCREW TAPPING 4*14	1	
	95701	95701-08040-08	BOLT FLANGE 8*40 (C)	BOLT FLANGE 8*40 (C)	3	



Sales mark	Ref no	Part no	Description	Reg description	Regd no	F13
11209		11209-LCD3-E00	STAY B RR FENDER	STAY B RR FENDER	1	
11211		11211-KHB4-C00	TUBE BREATHER	TUBE BREATHER	1	
17200		17200-LFC4-E10	AIR/C ASSY.	AIR/C ASSY.	1	
17239		17239-KHB4-C00	TUBE AIR/C BLOW BY	TUBE AIR/C BLOW BY	1	
1723A		1723A-LFC4-E10	CASE ASSY., AIR/C	CASE ASSY., AIR/C	1	
1723B		1723B-LFC4-E10	COVER COMP AIR/C	COVER COMP AIR/C	1	
1723C		1723C-LEJ3-E10	ELEMENT ASSY AIR/C	ELEMENT ASSY AIR/C	1	
17254		17254-KACA-P00	PLUG AIR/C CONN TUBE	PLUG AIR/C CONN TUBE	1	
17359		17359-4K19-C00	JOINT BREATHER TUBE	JOINT BREATHER TUBE	1	
17370		17370-4K19-701	PLUG BREATHER TUBE	PLUG BREATHER TUBE	1	
17371		17371-1D74-C00	CLIP BREATHER TUBE	CLIP BREATHER TUBE	1	
90114		90114-GDM4-C00	BOLT M6*28	BOLT M6*28	1	
90652		90652-GFY6-C00	BAND 49 AIR/C CONNECTING TUBE	BAND 49 AIR/C CONNECTING TUBE	1	
93903		93903-25480	SCREW TAPPING 5*20 (K)	SCREW TAPPING 5*20 (K)	1	
94111		94111-06800	WASHER PLAIN 6MM	WASHER PLAIN 6MM	1	
95002-02120		95002-02120	CLIP B12 TUBE	CLIP B12 TUBE	1	
95002-50000		95002-50000	CLIP C9 TUBE	CLIP C9 TUBE	1	
95003		95003-23029-60	V TUBE 8*12*290	V TUBE 8*12*290	1	
95701		95701-06008-08	BOLT FLANGE 6*8 (C)	BOLT FLANGE 6*8 (C)	1	

F14

Exhaust Muffler

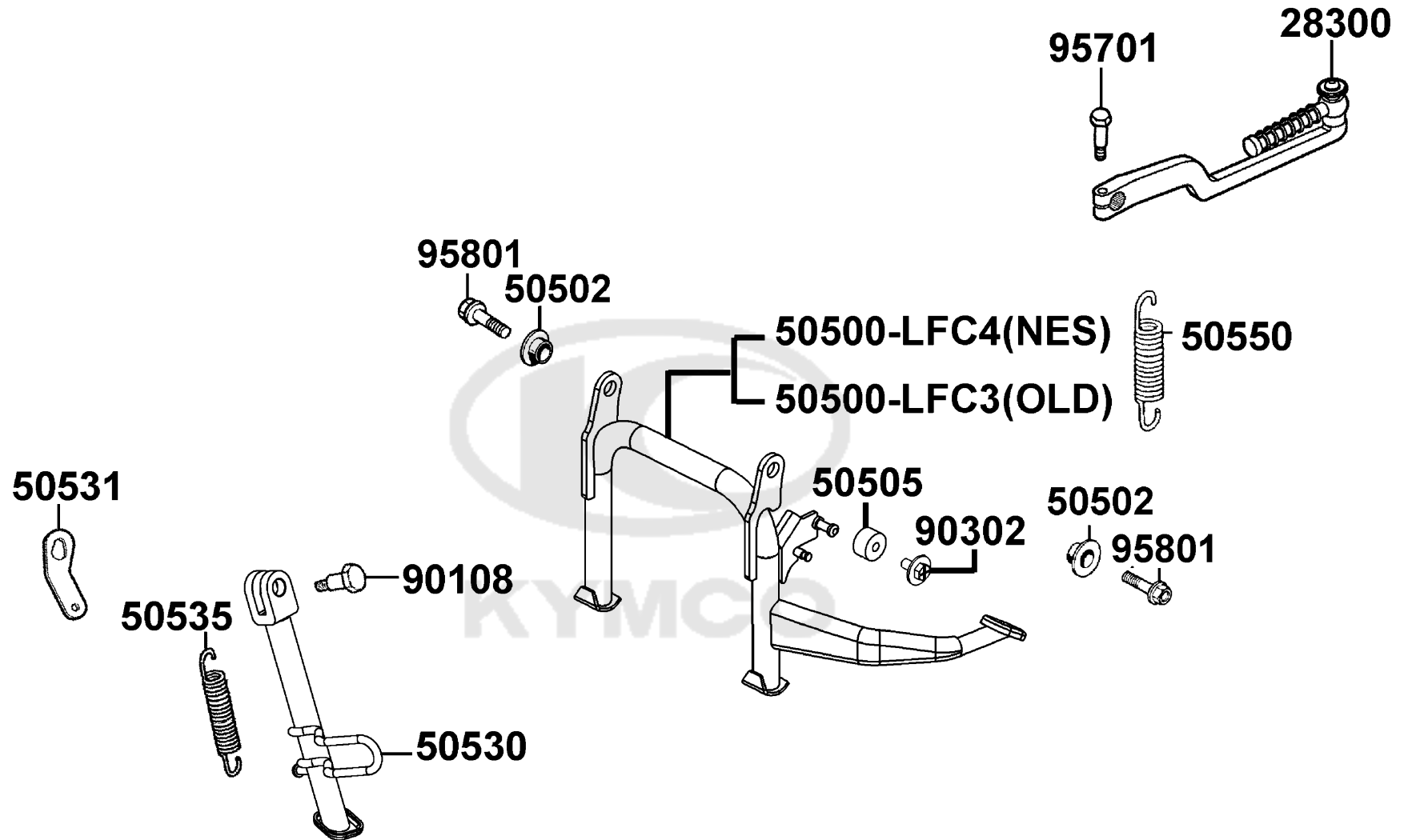




Sales mark	Ref no	Part no	Description	Reg description	Regd no	<b>F14</b>
	18291-GGA7	18291-GGA7-C00	GASKET EXH PIPE	GASKET EXH PIPE	1	
	18291-KKC4	18291-KKC4-C00	COLLAR	COLLAR	1	
	18292	18292-KEBE-C00	PACKING PROTECTOR	PACKING PROTECTOR	1	
	18293	18293-KECE-C00	RUBBER A PROTR	RUBBER A PROTR	1	
	18294	18294-KEBE-C00	PACKING PROTECTOR	PACKING PROTECTOR	1	
	18306	18306-LEJ2-E10	TAIL CAP MUFFLER	TAIL CAP MUFFLER	1	
	90021	90021-GFY6-C10	BOLT SPRING WASHER	BOLT SPRING WASHER	1	
	90110	90110-LCD4-E00	MUFFLER COMP EXH	MUFFLER COMP EXH	4	
	90301	90301-GFY6-C00	NUT (HEX) CAP 8MM	NUT (HEX) CAP 8MM	1	
	94101-06200	94101-06200	WASHER PLANE 6MM	WASHER PLANE 6MM	2	
	94101-06700	94101-06700	WASHER PLAIN 6MM (K)	WASHER PLAIN 6MM (K)	1	
	96001-06008	96001-06008-07	BOLT FLANGE SH 6*8 (K)	BOLT FLANGE SH 6*8 (K)	1	
	96001-06010	96001-06010-02	BOLT FLANGE SH 6*10 (Cr)	BOLT FLANGE SH 6*10 (Cr)	2	

F15

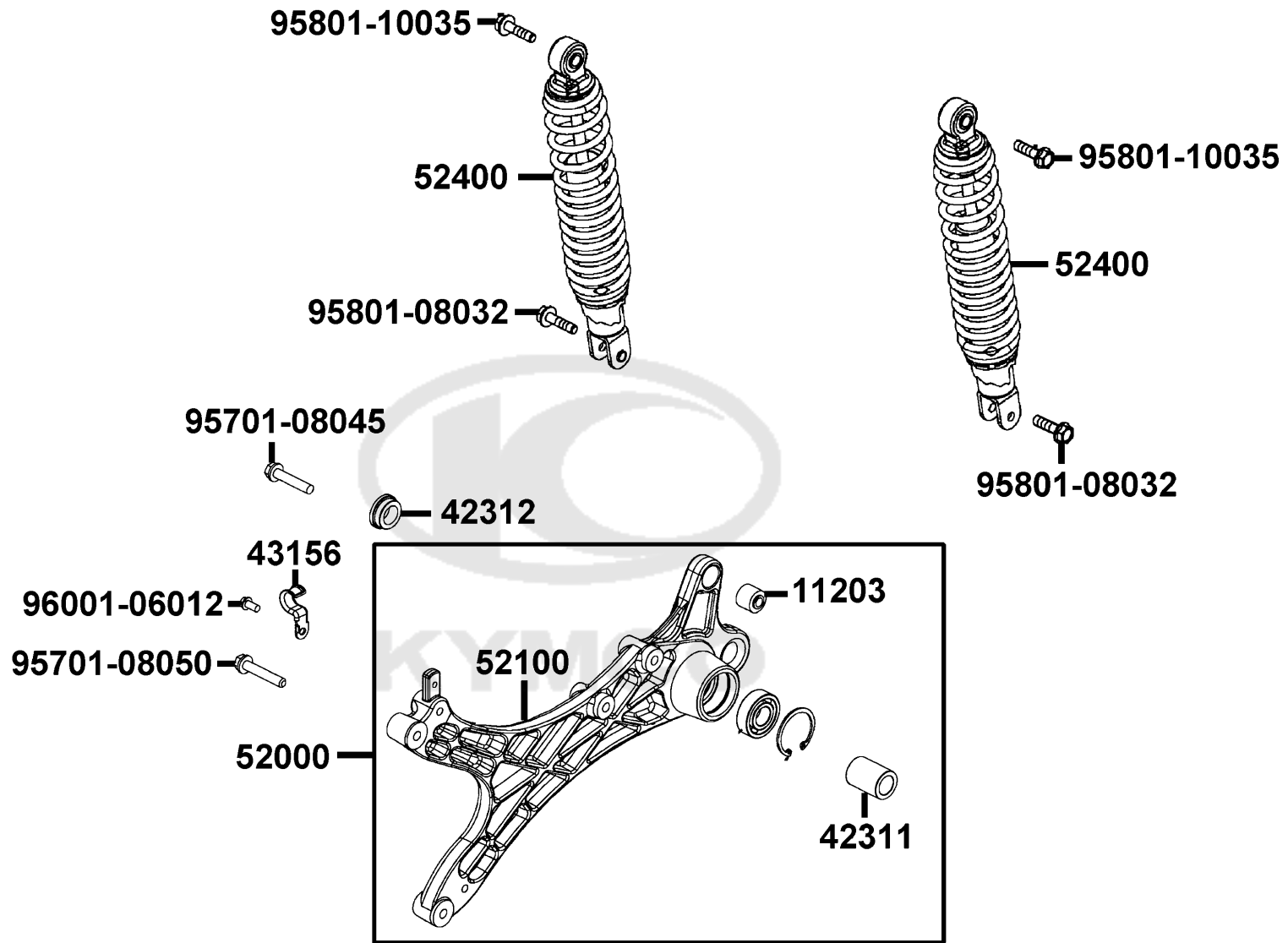
Stand Kick Starter Arm



Sales mark	Ref no	Part no	Description	Reg description	Regd no	<b>F15</b>
	28300	28300-LEJ3-E10	"ARM ASSY,KICK START"	"ARM ASSY,KICK START"	1	
	50500-LFC3	50500-LFC3-E10	STAND COMP MAIN	STAND COMP MAIN	1	
	50500-LFC4	50500-LFC4-E10	"STAND COMP.,MAIN "	"STAND COMP.,MAIN "	1	
	50502	50502-LDF7-C00	"COLLAR,MAIN STAND"	"COLLAR,MAIN STAND"	1	
	50505	50505-LAD9-C00	STOPPER RUBBER	STOPPER RUBBER	1	
	50530	50530-LFC2-E10	BAR SIDE STAND	BAR SIDE STAND	1	
	50531	50531-KEB7-C00	PLATE SPRING STOPPER	PLATE SPRING STOPPER	1	
	50535	50535-KEB7-W10	SPRING COMP SIDE STAND	SPRING COMP SIDE STAND	1	
	50550	50550-KEB7-C00	SPG ASSY MAIN STAND	SPG ASSY MAIN STAND	1	
	90108	90108-KFA6-E00	SCREW SIDE STAND PIVOT	SCREW SIDE STAND PIVOT	1	
	90302	90302-GFY6-C00	BOLT-WASH 5*12	BOLT-WASH 5*12	1	
	95701	95701-06022-07	BOLT FLANGE 6*22	BOLT FLANGE 6*22	1	
	95801	95801-10025-08	BOLT FLANGE 10*25C	BOLT FLANGE 10*25C	2	

F16

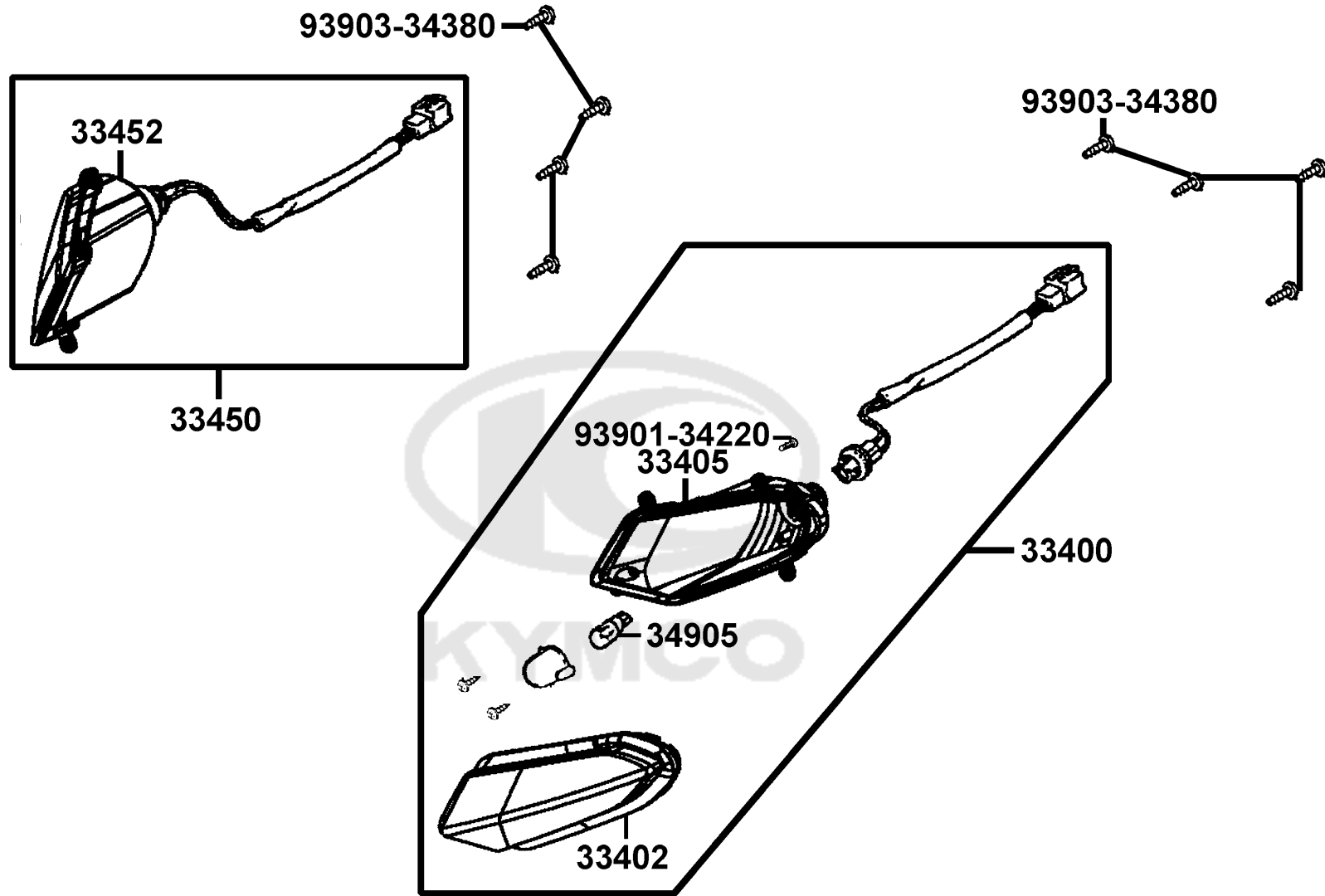
Rear Cushion



Sales mark	Ref no	Part no	Description	Reg description	Regd no	<b>F16</b>
	11203	11203-GGC7-W10	UNDER RUBBER BUSH RR CUSHION	UNDER RUBBER BUSH RR CUSHION	1	
	42311	42311-KHB4-C00	COLLAR RR AXLE A	COLLAR RR AXLE A	1	
	42312	42312-LEJ2-E10	"COLLAR,RR AXLE SIDE"	"COLLAR,RR AXLE SIDE"	1	
	43156	43156-LFC3-E10	CLAMPER HOSE RR	CLAMPER HOSE RR	1	
	52000	52000-LFC3-E10	FORK ASSY RR	FORK ASSY RR	1	
	52100	52100-LFC3-E10	FORK COMP RR	FORK COMP RR	1	
**	52400	52400-LFC3-E10	CUSHION ASSSY RR	CUSHION ASSSY RR	2	
	95701-08045	95701-08045-08	BOLT FLANGE 8*45 (C)	BOLT FLANGE 8*45 (C)	1	
	95701-08050	95701-08050-08	BOLT FLANGE8*50	BOLT FLANGE8*50	1	
	95801-08032	95801-08032-08	BOLT FLANGE 8*32	BOLT FLANGE 8*32	2	
	95801-10035	95801-10035-08	BOLT FLANGE 10*35 (C)	BOLT FLANGE 10*35 (C)	2	
	96001-06012	96001-06012-00	BOLT FLANGE SH 6*12 (B)	BOLT FLANGE SH 6*12 (B)	1	

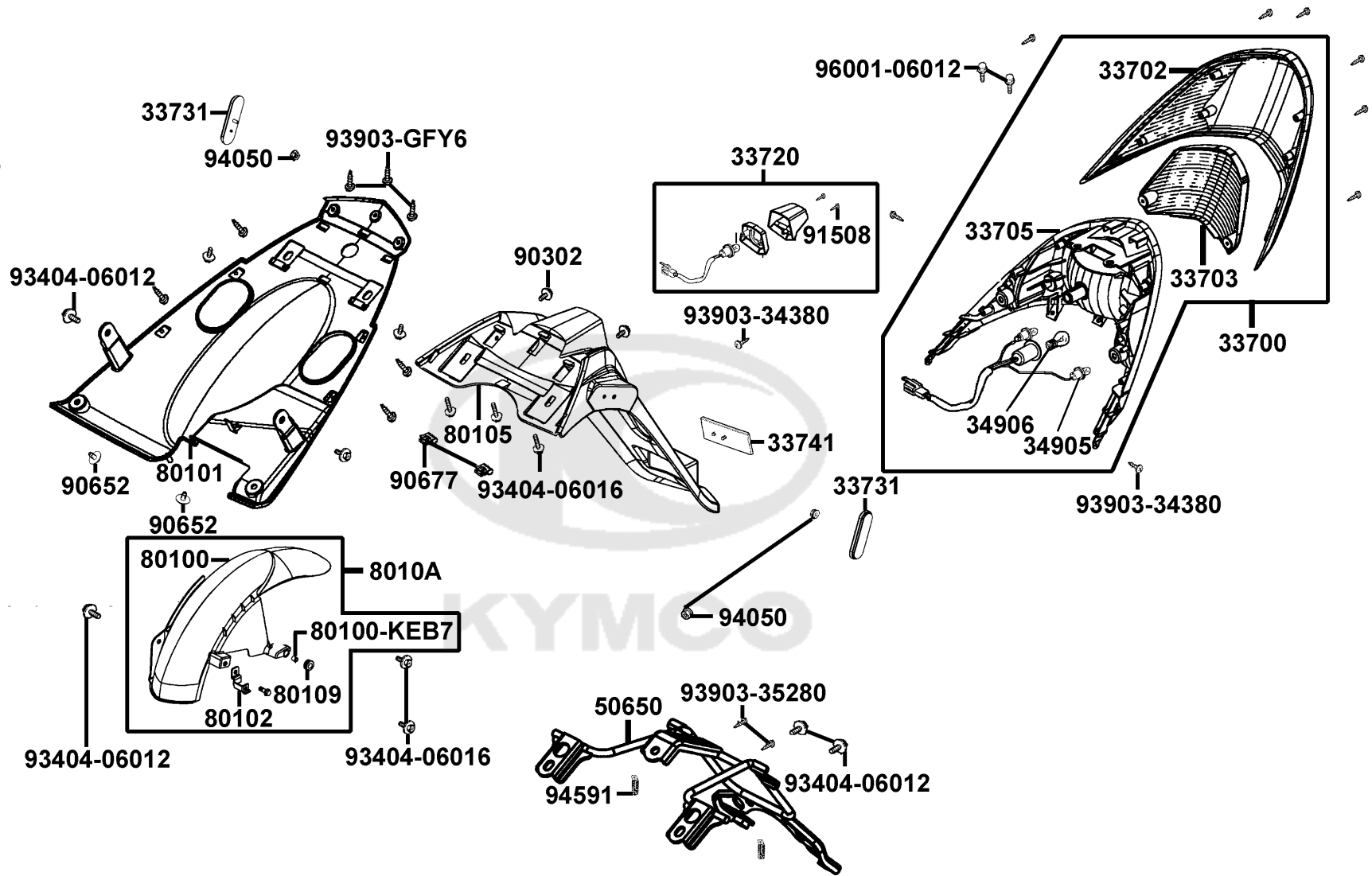
F17

Front Winker



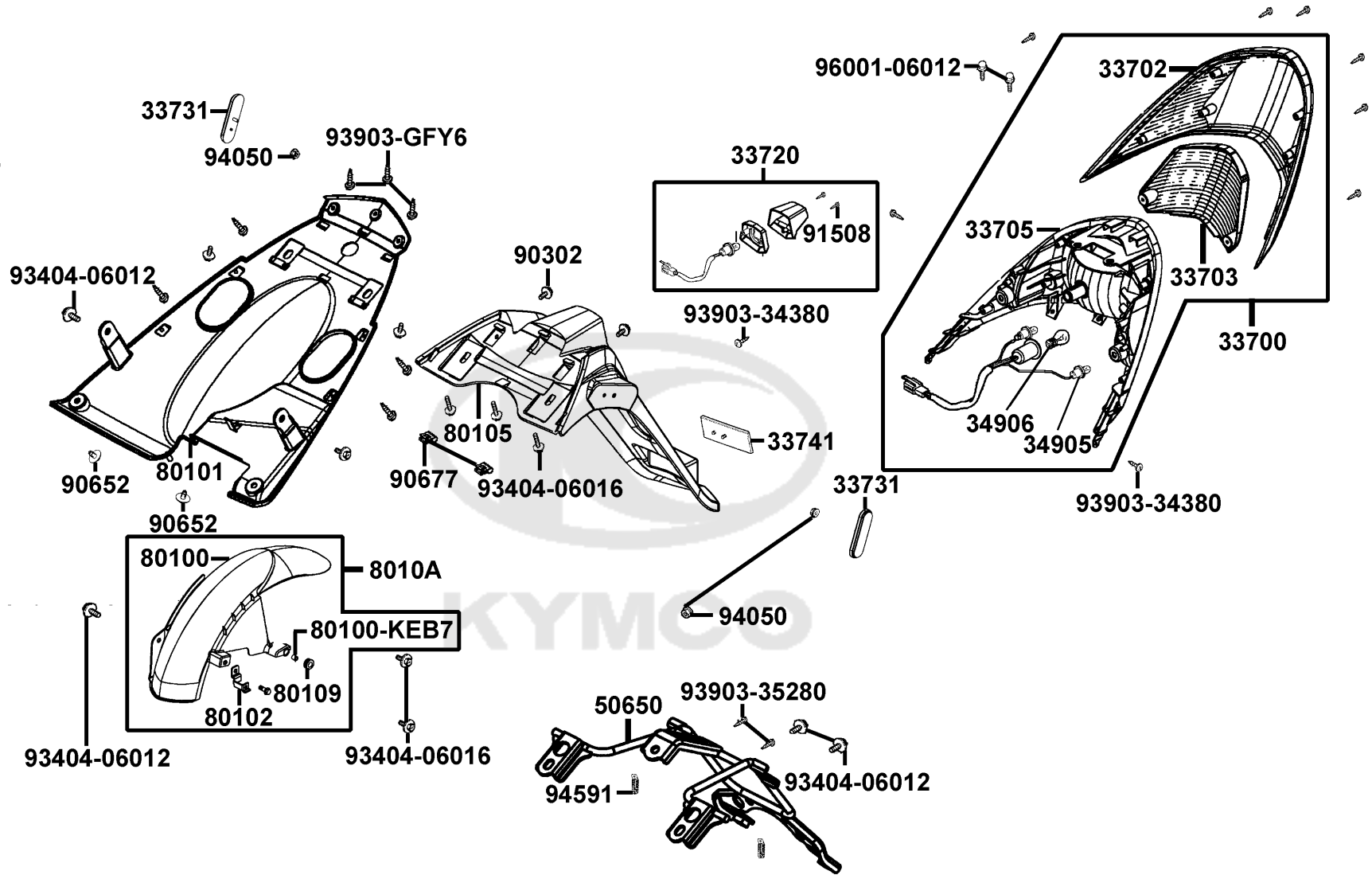
Sales mark	Ref no	Part no	Description	Reg description	Regd no	F17
	33400	33400-LFC2-E10	WINKER ASSY RH FR	WINKER ASSY RH FR	1	
	33402	33402-LFC2-E10	LENS R FR WINKER	LENS R FR WINKER	1	
	33405	33405-LFC2-E10	BASE R FR WINKER	BASE R FR WINKER	1	
	33450	33450-LFC2-E10	WINKER ASSY LH FR	WINKER ASSY LH FR	1	
	33452	33452-LFC2-E10	LENS L FR WINKER	LENS L FR WINKER	1	
	34905	34905-LBA8-E80	BULB RR WINKER	BULB RR WINKER	1	
	93901-34220	93901-34220	SCREW TAPPING 4*10 (C)	SCREW TAPPING 4*10 (C)	1	
	93903-34380	93903-34380	BOLT FLANGE	BOLT FLANGE	8	



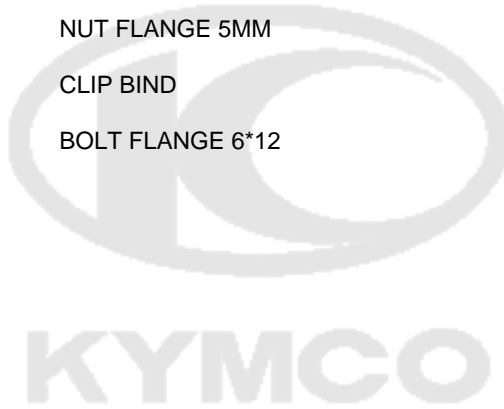




Sales mark	Ref no	Part no	Description	Reg description	Regd no	F18
	33700	33700-LFC2-E10	LIGHT ASSY RR COMB	LIGHT ASSY RR COMB	1	
	33702	33702-LFC2-E10	LENS TAIL LIGHT	LENS TAIL LIGHT	1	
	33703	33703-LFC2-E10	LENS TAIL LIGHTRED	LENS TAIL LIGHTRED	1	
	33705	33705-LFC2-E10	BASE RR COMP	BASE RR COMP	1	
	33720	33720-LEJ2-E10	LIGHT ASSY LICENSE	LIGHT ASSY LICENSE	1	
	33731	33731-KGB5-C00	"REFLEX REFLECTOR,SIDE"	"REFLEX REFLECTOR,SIDE"	1	
	33741	33741-KEBE-C00	REFLEX REFLECTOR	REFLEX REFLECTOR	1	
	34905	34905-KPCP-C00	BULB WINKER	BULB WINKER	1	
	34906	34906-KPCP-900	BULB TAIL & STOP	BULB TAIL & STOP	1	
	50650	50650-LFC2-E10	STAY RR. FENDER	STAY RR. FENDER	1	
	80100-KEB7	80100-KEB7-C00	COLLAR IN RUBBER	COLLAR IN RUBBER	1	
**	80100-LFC3	80100-LFC3-E10	FENDER RR TIRE	FENDER RR TIRE	1	
	80101	80101-LFC3-E10	FENDER RR INNER	FENDER RR INNER	1	
	80102	80102-LCD2-C00	STAY RR TIRE FENDER	STAY RR TIRE FENDER	1	
	80105	80105-LFC2-E10	FENDER REAR	FENDER REAR	1	
	80109	80109-KEB7-C00	RUBBER RR FENDER B	RUBBER RR FENDER B	1	
	8010A	8010A-LFC3-E10	FENDER ASSY. RR TIRE	FENDER ASSY. RR TIRE	1	
	90302	90302-GFY6-C10	BOLT-WASH 5*16	BOLT-WASH 5*16	1	
	90652	90652-LCA4-C10	CLIP MUDGUARD	CLIP MUDGUARD	1	
	90677	90677-GAR1-C00	NUT CLIP 5MM	NUT CLIP 5MM	1	

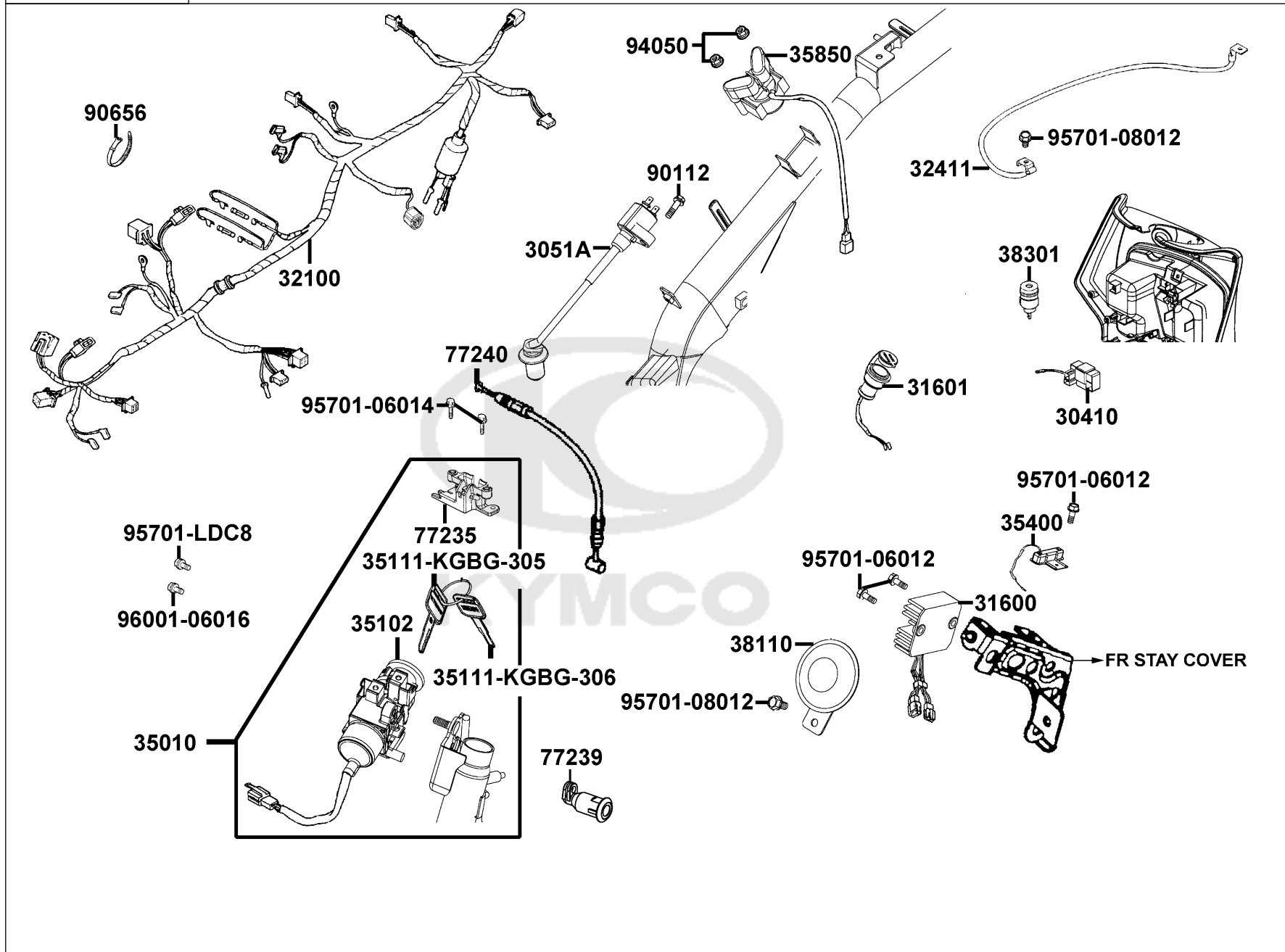


Sales mark	Ref no	Part no	Description	Reg description	Regd no	F18
91508		91508-KGV7-C00	SCREW TAPPING 4*14	SCREW TAPPING 4*14	1	
93404-06012		93404-06012-06	BOLT WASHER 6*12 (G)	BOLT WASHER 6*12 (G)	1	
93404-06012		93404-06012-07	BOLT WASHER 6*12(K)	BOLT WASHER 6*12(K)	7	
93404-06016		93404-06016-07	BOTL WASHER 6*16(K)	BOTL WASHER 6*16(K)	5	
93903-34380		93903-34380	BOLT FLANGE	BOLT FLANGE	9	
93903-35280		93903-35280	SCREW TAPPING 5*12 (K)	SCREW TAPPING 5*12 (K)	2	
93903-GFY6		93903-GFY6-C00	SCREW TAPPING 4*14	SCREW TAPPING 4*14	1	
94050		94050-05080	NUT FLANGE 5MM	NUT FLANGE 5MM	3	
94591		94591-25000	CLIP BIND	CLIP BIND	2	
96001-06012		96001-06012-08	BOLT FLANGE 6*12	BOLT FLANGE 6*12	1	



F19

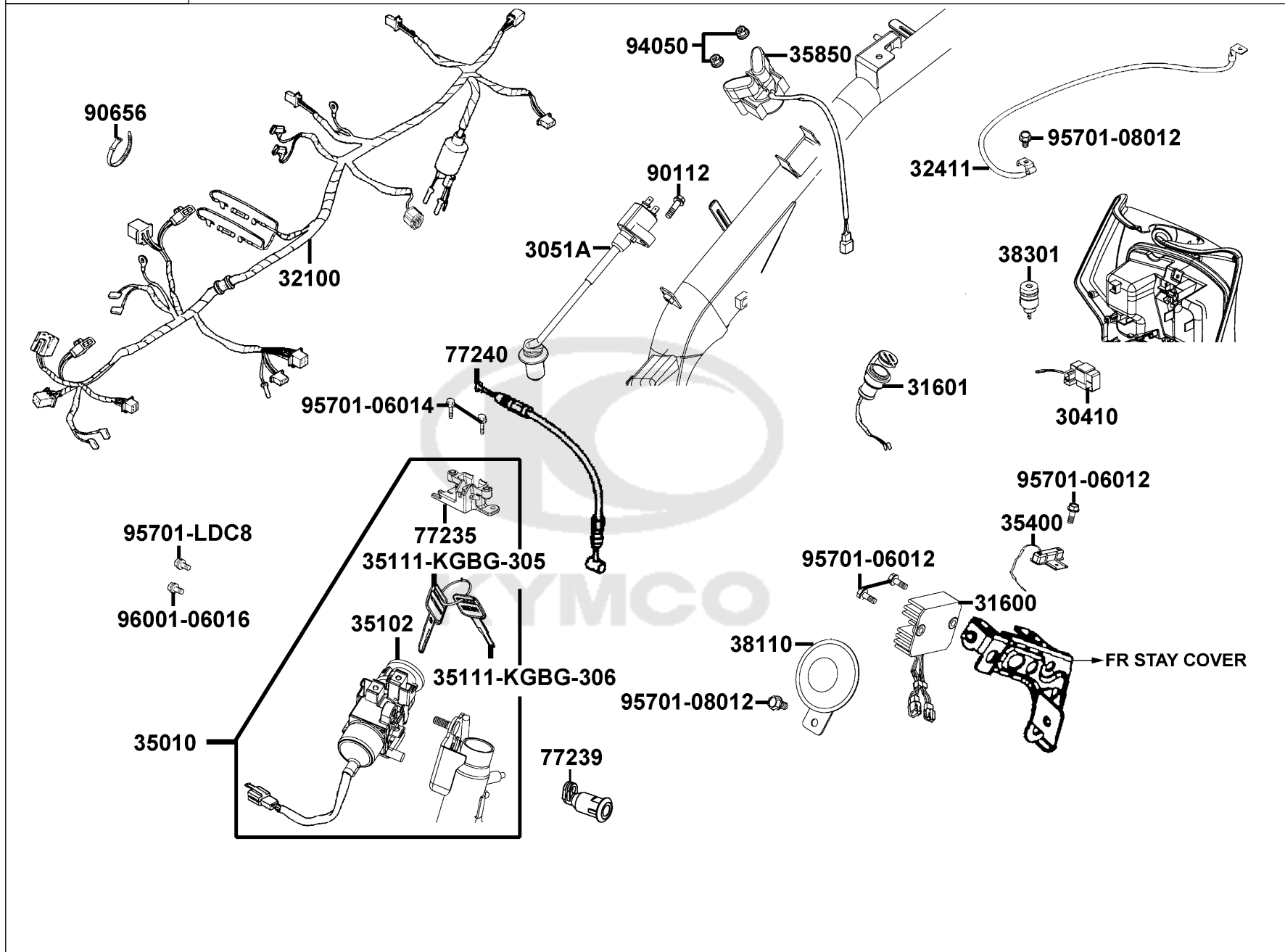
Wire Harness



Sales mark	Ref no	Part no	Description	Reg description	Regd no	<b>F19</b>
30410		30410-LEJ3-E10	UNIT COMP CDI	UNIT COMP CDI	1	
3051A		3051A-KHC4-C00	COIL ASSY IGN	COIL ASSY IGN	1	
31600		31600-LFC2-E10	REG REC COMP DC	REG REC COMP DC	1	
31601		31601-LFC2-E10	SOCKET COMP DC 12V	SOCKET COMP DC 12V	1	
32100		32100-LFC3-E10	HARNESS WIRE	HARNESS WIRE	1	
32411		32411-LEJ3-E11	CABLE BAT	CABLE BAT	1	
35010		35010-LFC2-E10	KEY SET	KEY SET	1	
35102		35102-KGBG-91B	COLLAR MAIN SW	COLLAR MAIN SW	1	
35111-KGBG-305		35111-KGBG-305	BLACK KEY R	BLACK KEY R	1	
35111-KGBG-306		35111-KGBG-306	BLACK KEY L	BLACK KEY L	1	
35400		35400-LEJ3-E10	RESISTOR COMP	RESISTOR COMP	1	
35850		35850-KHD8-C00	RELAY ASSY START	RELAY ASSY START	1	
38110		38110-KHB4-E0A	HORN COMP	HORN COMP	1	
38301		38301-GGS7-C00	RELAY COMP AP WINKER	RELAY COMP AP WINKER	1	
77235		77235-KGC4-C00	SEAT CATCH	SEAT CATCH	1	
77239		77239-GFY6-C00	KEY SEAT LOCK	KEY SEAT LOCK	1	
77240		77240-LFC2-E10	"CABLE,SEAT LOCK"	"CABLE,SEAT LOCK"	1	
90112		90112-KRDR-C00	BOLT FLANGE 5*22	BOLT FLANGE 5*22	1	
90656		90656-KUDU-900	BAND HARNESS WIRE	BAND HARNESS WIRE	1	
94050		94050-06080	NUT FLANG 6MM	NUT FLANG 6MM	2	

F19

Wire Harness



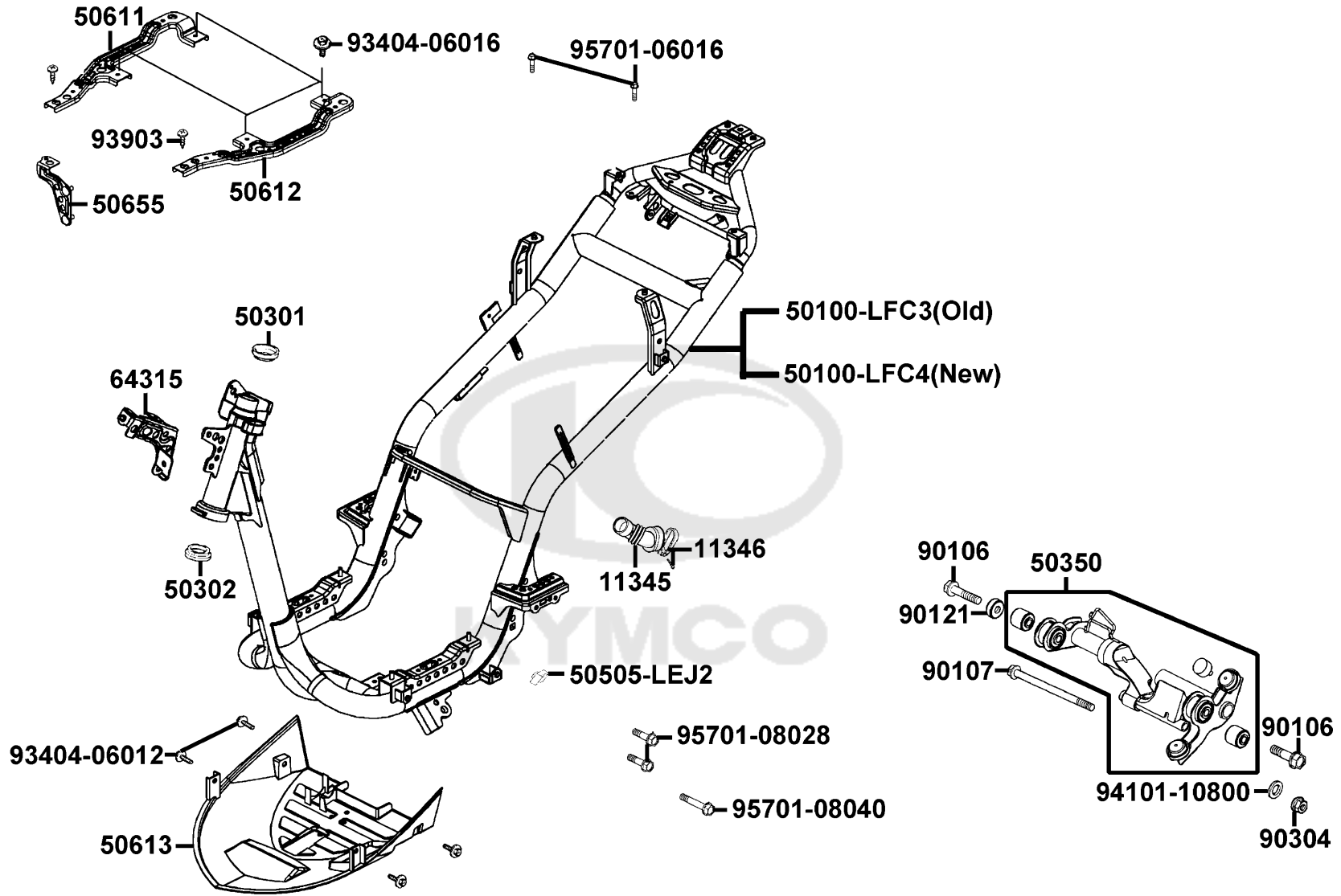
Sales mark	Ref no	Part no	Description	Reg description	Regd no	<b>F19</b>
------------	--------	---------	-------------	-----------------	---------	------------

95701-06012		95701-06012-08	BOLT FLANGE 6*12	BOLT FLANGE 6*12	3	
95701-06014		95701-06014-08	BOLT FLANGE 6*14 (C)	BOLT FLANGE 6*14 (C)	2	
95701-08012		95701-08012-08	BOLT FLANGE 8*12 (C)	BOLT FLANGE 8*12 (C)	2	
95701-LDC8		95701-LDC8-E10	BOLT TORQUE 6*16	BOLT TORQUE 6*16	1	
96001-06016		96001-06016-08	BOLT FLANGE SH 6*16(C)	BOLT FLANGE SH 6*16(C)	1	



F20

Frame Body

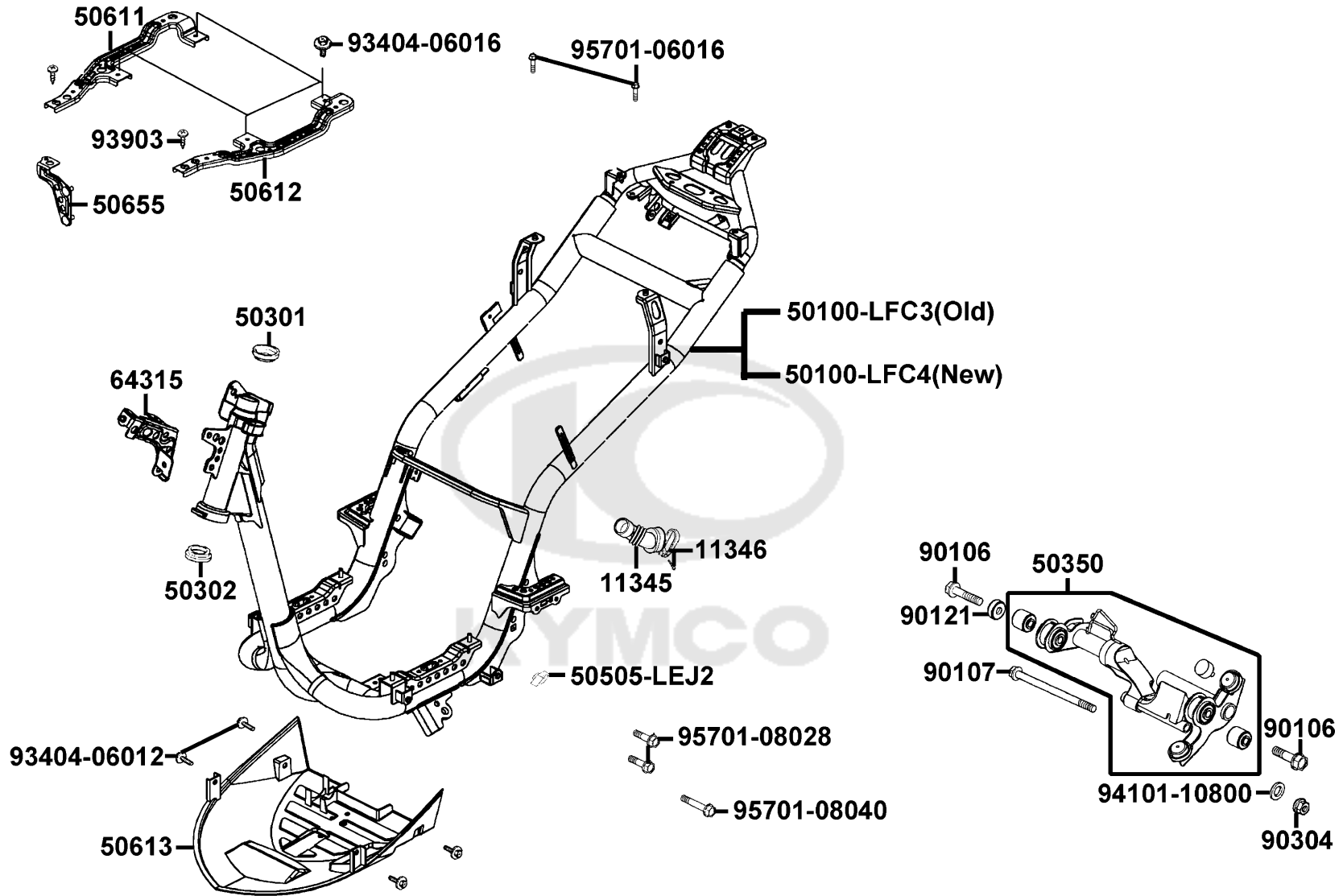




Sales mark	Ref no	Part no	Description	Reg description	Regd no	F20
	11345	11345-LEJ3-E10	DUCT L COVER	DUCT L COVER	1	
	11346	11346-KEBE-C00	BAND L COVER DUCT	BAND L COVER DUCT	1	
	50100-LFC4	50100-LFC4-E10	BODY COMP FRAME	BODY COMP FRAME	1	
	50301	50301-KGN7-C00	RACE UPPER STRG BALL	RACE UPPER STRG BALL	1	
	50302	50302-2H68-C00	RACE (STRG BOT) BALL	RACE (STRG BOT) BALL	1	
	50350	50350-LFC3-B40	ENG HANGER COMP	ENG HANGER COMP	1	
	50505-LEJ2	50505-LEJ2-E11	STOPPER RUBBER	STOPPER RUBBER	1	
	50611	50611-LFC2-E10	RNFCT R FLOOR	RNFCT R FLOOR	1	
	50612	50612-LFC2-E10	RNFCT L FLOOR	RNFCT L FLOOR	1	
**	50613	50613-LFC2-E10	COVER UNDER	COVER UNDER	1	
	50655	50655-LFC2-E10	STAY REG REC	STAY REG REC	1	
	64315	64315-LFC2-E10	STAY FR COVER	STAY FR COVER	1	
	90106	90106-GFY6-901	BOLT FLANGE 10*55	BOLT FLANGE 10*55	2	
	90107	90107-KUDU-900	BOLT FLANGE 10*188	BOLT FLANGE 10*188	1	
	90121	90121-GFY6-C00	COLLAR DISTANCE	COLLAR DISTANCE	1	
	90304	90304-GHE8-C00	NUT U 10MM (C)	NUT U 10MM (C)	1	
	93404-06012	93404-06012-07	BOLT WASHER 6*12(K)	BOLT WASHER 6*12(K)	4	
	93404-06016	93404-06016-07	BOTL WASHER 6*16(K)	BOTL WASHER 6*16(K)	4	
	93903	93903-35280	SCREW TAPPING 5*12 (K)	SCREW TAPPING 5*12 (K)	2	
	94101	94101-10800	WASHER PLAIN 10MM (C)	WASHER PLAIN 10MM (C)	1	

F20

Frame Body



Sales mark	Ref no	Part no	Description	Reg description	Regd no	<b>F20</b>
------------	--------	---------	-------------	-----------------	---------	------------

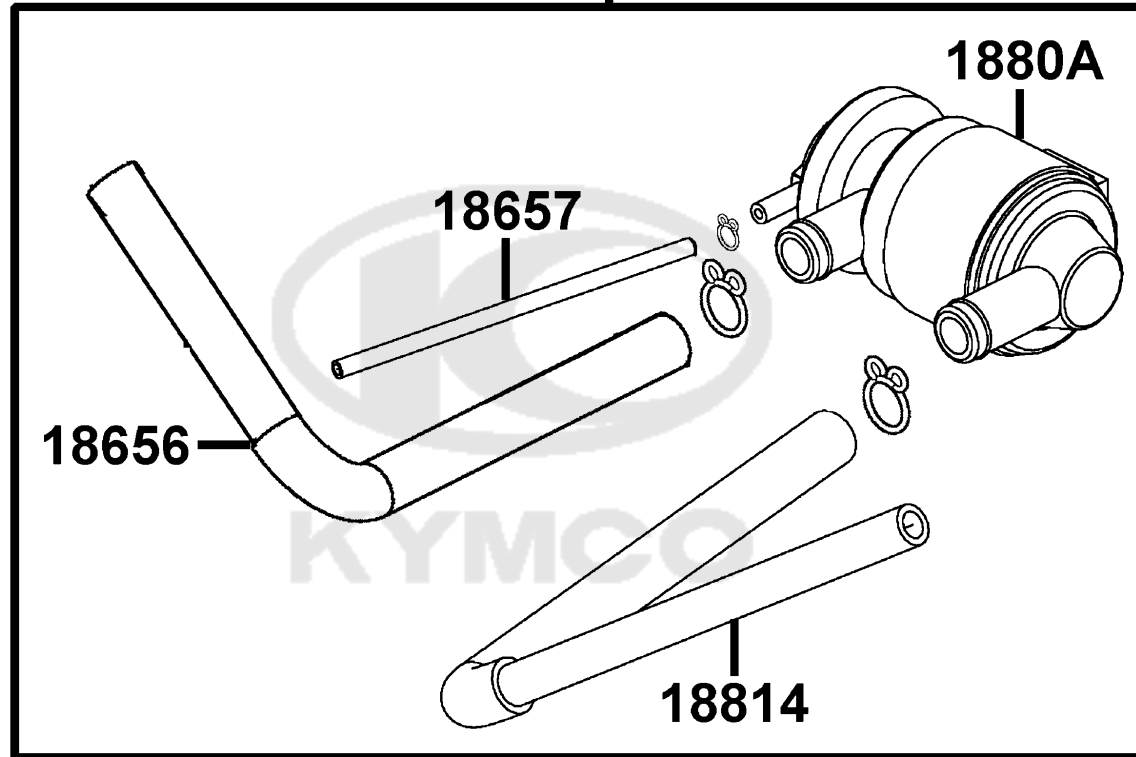
95701-06016		95701-06016-08	BOLT FLANGE 6*16 (C)	BOLT FLANGE 6*16 (C)	2	
95701-08028		95701-08028-08	BOLT FLANGE 8*28	BOLT FLANGE 8*28	2	
95701-08040		95701-08040-08	BOLT FLANGE 8*40 (C)	BOLT FLANGE 8*40 (C)	1	



95002



1880B



1880A

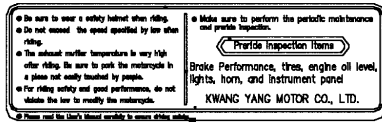
18657

18656

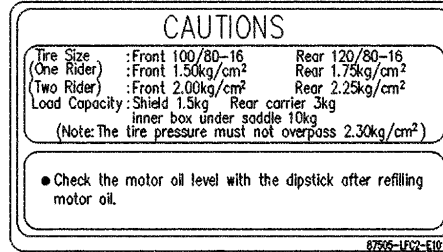
18814

Sales mark	Ref no	Part no	Description	Reg description	Regd no	<b>F21</b>
	18656	18656-LEJ3-E10	"DUCT,AICV-REED VALVE"	"DUCT,AICV-REED VALVE"	1	
	18657	18657-LEJ3-E10	TUBE INLET PIPE-AICV	TUBE INLET PIPE-AICV	1	
	1880A	1880A-LEJ3-E10	AI/C-AICV ASSY	AI/C-AICV ASSY	1	
	1880B	1880B-LEJ3-E10	AI/C-AICV SET	AI/C-AICV SET	1	
	18814	18814-LEJ2-E10	DUCTAIR-AICV	DUCTAIR-AICV	1	
	95002	95002-KKD6-C00	CLAMP D18 TUBE	CLAMP D18 TUBE	1	

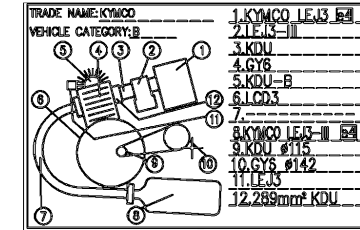




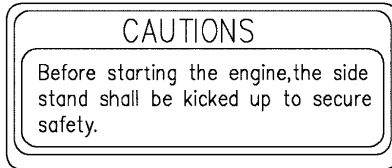
87560



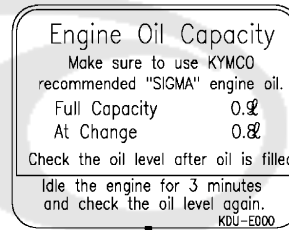
87505



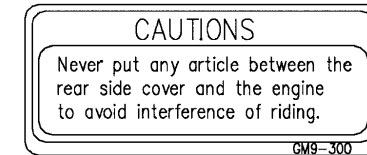
87224



87541



87541-KUDU



87542

**AGILITY 125**

86202



86102

Sales mark	Ref no	Part no	Description	Reg description	Regd no	<b>F22</b>
**	86102	86102-LEJ2-E00	STRIPE K-LOGO 22MM	STRIPE K-LOGO 22MM	1	
**	86202	86202-LFC3-E10	EMB BODY COVER	EMB BODY COVER	2	
**	87224	87224-LEJ2-EZ0	CAUTION ANTI TAMPERING	CAUTION ANTI TAMPERING	1	
**	87224	87224-LEJ3-EZ0	CAUTION ANTI TAMPERING	CAUTION ANTI TAMPERING	1	
**	87505	87505-LFC2-E10	LABEL TIRE	LABEL TIRE	1	
**	87541-GAR1	87541-GAR1-C01	MARK MAINT CAUTION L	MARK MAINT CAUTION L	1	
**	87541-KUDU	87541-KUDU-E00	LABEL OIL CAP	LABEL OIL CAP	1	
**	87542	87542-GAR1-E01	MARK MAINT CAUTION	MARK MAINT CAUTION	1	
**	87560	87560-GFY6-C01	MARK DRIVE CAUTION	MARK DRIVE CAUTION	1	



## PART NO. INDEX

PART NO.	VERSION	PAGE	PART NO.	VERSION	PAGE	PART NO.	VERSION	PAGE
			12191-GFY6-C10	1	E03	14520-GFY6-C00	1	E03
			12200-KUDU-C10	1	E02	14523-GFY6-C10	1	E03
			12209-GDB4-C00	1	E02	1453A-GFY6-W10	0	E03
11100-KUDU-C00	6	E01	1220A-KUDU-C00	9	E02	14610-KUDU-C10	1	E03
11102-1G87-C00	1	E01	12211-KUDU-W10	4	E02	14711-KUDU-C00	1	E02
11192-KUDU-C10	1	E01	12251-GFY6-C00	1	E02	14721-KUDU-C00	1	E02
11200-LCD3-C00	0	E01	12310-KHC4-C11	0	E02	14751-KUDU-C10	2	E02
11203-GGC7-W10	2	E01	1231A-KHC4-C11	0	E02	14775-MFA6-C00	2	E02
11203-GGC7-W10	2	F16	12361-GFY6-C00	1	E04	14781-MFA6-C00	4	E02
11206-LCD3-C00	0	E01	12391-GFY6-C10	0	E02			
11208-KXCX-C00	0	E09				<b>15000</b>		
11208-LCD3-E00	2	E04	<b>13000</b>			15100-KFB7-C00	0	E07
11209-LCD3-E00	0	F13				15133-GFY6-W10	1	E07
11211-KHB4-C00	0	F13	13000-KUDU-C00	9	E03	15141-GFY6-C00	1	E07
11331-LCD3-E00	4	E04	13011-GFY6-C00	1	E03	15421-1G07-W10	1	E04
11340-LEJ3-E11	0	E01	13101-KUDU-C00	1	E03	15426-GAE1-C00	1	E04
11345-LEJ3-E10	1	F20	13111-3D84-C00	1	E03	15651-KUDU-W10	1	E04
11346-KEBE-C00	1	F20				1565A-KUDU-W10	1	E04
11381-KHB4-C00	0	E01	<b>14000</b>			15711-KUDU-C00	1	E07
11382-LEJ3-E10	0	E01						
11394-KUDU-C10	1	E04	14100-LGS6-E10	1	E02			
11395-KHB4-C00	0	E01	14401-KUDU-C00	1	E03	<b>16000</b>		
			14431-KUDU-W10	4	E02	16012-KEC3-800	4	E05
<b>12000</b>			14450-GFY6-W10	1	E02	1603A-LFC3-E10	0	E05
			14452-GFY6-W10	1	E02	16069-KEC3-900	0	E05
12100-GFY6-C00	6	E03	14510-KUDU-W10	1	E03			



## PART NO. INDEX

PART NO.	VERSION	PAGE	PART NO.	VERSION	PAGE	PART NO.	VERSION	PAGE
16074-KEC3-900	0	E05	1723B-LFC4-E10	0	F13	18647-GFY6-C00	1	E02
16079-LGB6-900	0	E05	1723C-LEJ3-E10	0	F13	18656-LEJ3-E10	0	F21
16087-KEC3-900	3	E05	17254-KACA-P00	1	F13	18657-LEJ3-E10	1	F21
16088-KEC3-900	1	E05	17256-GFY6-C00	4	E02	1880A-LEJ3-E10	1	F21
16093-5102-E10	0	E05	17359-4K19-C00	0	F13	1880B-LEJ3-E10	3	F21
16095-KEC3-900	2	E05	17370-4K19-701	1	F13	18814-LEJ2-E10	0	F21
16100-LFC3-E10	0	E05	17371-1D74-C00	1	F13			
16122-KEC3-900	0	E05	1750A-LEJ2-E10	0	F10	<b>19000</b>		
16131-KEC3-900	0	E05	17620-LBA8-C10	0	F10			
16132-KEC3-900	0	E05	17683-LFC3-E10	1	F10	19510-KFB7-C00	0	E08
16138-KGC5-900	0	E05	17684-LFC3-E10	1	F10	1961A-KUDU-E10	2	E08
16142-KEC3-900	1	E05	17910-KHD8-C00	0	F03	19625-KUDU-C00	1	E02
16154-KEC3-900	0	E05				1962A-KKE3-C00	0	E08
16180-KEC3-900	0	E05	<b>18000</b>			1963A-LDF7-E10	1	E08
16181-KEC3-900	1	E05						
16201-GFY6-C10	1	E02	18291-GGA7-C00	0	F14	<b>21000</b>		
16211-GFY6-W10	1	E02	18291-KKC4-C00	0	F14			
1691A-LEJ2-E10	0	F10	18292-KEBE-C00	0	F14	21200-LEJ8-C00	0	E09
16950-LKL5-E30	0	F10	18293-KECE-C00	0	F14	21395-LCD3-C00	0	E09
			18294-KEBE-C00	0	F14			
<b>17000</b>			18306-LEJ2-E10	3	F14	<b>22000</b>		
			1830A-LFC3-E10	3	F14			
1711A-LEJ3-E10	2	E02	18318-LCD3-E10	5	F14	22101-LCD3-C00	3	E06
17200-LFC4-E10	1	F13	18325-LFC3-E10	2	F14	22102-KUDU-E80	0	E06
17239-KHB4-C00	0	F13	18645-GFY6-C00	1	E02	22105-GFY6-C00	0	E06
1723A-LFC4-E10	1	F13	18646-LDC8-E10	1	E02	22110-KUDU-E80	0	E06

## PART NO. INDEX

PART NO.	VERSION	PAGE	PART NO.	VERSION	PAGE	PART NO.	VERSION	PAGE
22121-GFY6-C00	0	E06	28230-KNBN-9000	0	E01	32101-GFY6-C00	1	F04
22131-GFY6-C00	3	E06	2823A-KNBN-C00	1	E01	32411-LEJ3-E11	0	F19
22132-KBN2-C00	0	E06	28250-LEJ3-E10	1	E01	32412-LDF7-E10	1	E04
22300-LCD3-C00	0	E06	28253-GBN2-C00	1	E01	32961-KUDU-C00	1	E04
<b>23000</b>			28255-GFS6-C00	1	E01	<b>33000</b>		
			28281-GBN2-C00	1	E01			
			28300-LEJ3-E10	0	F15			
23010-LEJ3-E10	1	E06	<b>30000</b>			33100-LFC2-E10	1	F01
23100-KEC4-C00	2	E06				33108-LFC2-E10	0	F01
23200-LEJ3-E10	3	E06				33400-LFC2-E10	1	F17
23220-GFY6-C00	0	E06	30410-LEJ3-E10	1	F19	33402-LFC2-E10	1	F17
23233-LEJ3-E10	0	E06	3051A-KHC4-C00	1	F19	33405-LFC2-E10	0	F17
23237-GFY6-C00	0	E06	<b>31000</b>			33450-LFC2-E10	1	F17
23238-GFY6-C00	0	E06				33452-LFC2-E10	0	F17
23411-KHB4-C00	0	E09				33700-LFC2-E10	1	F18
23420-LCD3-C00	0	E09	31100-LFC3-E10	1	E08	33702-LFC2-E10	1	F18
23432-LCD3-C00	0	E09	31110-LAD9-C00	0	E08	33703-LFC2-E10	1	F18
2343A-KHB4-C00	0	E09	31120-LFC3-E10	0	E08	33705-LFC2-E10	1	F18
<b>28000</b>			31200-KUDU-C00	4	E07	33720-LEJ2-E10	0	F18
			31500-GFY6-C00	1	F11	33731-KGB5-C00	2	F18
			31600-LFC2-E10	1	F19	33741-KEBE-C00	0	F18
28101-GFY6-C00	1	E07	31601-LFC2-E10	1	F19	<b>34000</b>		
28102-GFY6-C00	1	E07						
2812A-GFY6-C10	2	E07	<b>32000</b>					
28211-KUDU-W10	4	E06				34901-LDC8-E10	1	F01
28223-KNBN-C00	0	E01	32100-LFC3-E10	1	F19	34903-LDC8-E10	1	F01

## PART NO. INDEX

PART NO.	VERSION	PAGE	PART NO.	VERSION	PAGE	PART NO.	VERSION	PAGE
34905-KPCP-C00	1	F18	37215-LFC2-E10	0	F02	43351-LFC3-E80	2	F08
34905-LBA8-E80	1	F17	37224-LFC2-E10	1	F02	43500-LFC3-E10	0	F04
34906-KPCP-900	0	F18	37280-LEJ2-E0A	0	F02	4350B-LFC3-E10	2	F04
34908-LEJ2-E00	0	F02	37802-GGA7-C00	1	F10			
34909-LEJ2-E00	0	F02	3780A-LEJ2-E10	0	F10	<b>44000</b>		
<b>35000</b>			<b>38000</b>			44301-LEJ2-E10	4	F07
35010-LFC2-E10	1	F19	38110-KHB4-E0A	0	F19	44311-LFC2-E10	2	F07
35102-KGBG-91B	0	F19	38301-GGS7-C00	3	F19	44600-LFC2-E10	2	F07
35111-KGBG-305	0	F19				44601-LFC2-E10	2	F07
35111-KGBG-306	0	F19	<b>42000</b>			44620-KFLF-C00	1	F07
35151-KGBG-C00	0	F03				44680-4L10-C00	0	F07
35152-LGB5-E10	0	F03	42311-KHB4-C00	0	F16	44710-LFC2-E10	1	F07
3515A-LGB5-E10	3	F03	42312-LEJ2-E10	1	F16	44800-LKD1-E10	1	F07
3520A-LCD3-C00	0	F03	42600-LFC3-E10	1	F08	44830-LCD3-C00	0	F02
35340-KNBN-901	1	F04	42601-LFC3-E10	1	F08	<b>45000</b>		
35350-KNBN-901	0	F04	42710-LFC2-E10	1	F08			
35400-LEJ3-E10	1	F19	42753-0A01-C00	1	F07	45105-LEJ2-306	0	F04
35850-KHD8-C00	1	F19	42753-0A01-C00	1	F08	45105-LFC3-305	0	F04
<b>37000</b>			<b>43000</b>			45121-LFC2-E80	0	F07
37200-LFC3-E10	0	F02	43100-LFC3-E10	0	F04	45126-LFC2-E10	1	F04
37211-LFC2-E10	1	F02	43126-LFC3-E1A	0	F04	45156-KNBN-C00	1	F06
37213-LFC2-E10	0	F02	43156-LFC3-E10	2	F16	45156-LCB9-B20	0	F06
						45200-LFC2-E10	1	F04
						4550A-LFC2-E1A	1	F04

## PART NO. INDEX

PART NO.	VERSION	PAGE	PART NO.	VERSION	PAGE	PART NO.	VERSION	PAGE
4550B-LFC2-E10	4	F04				53105-LFC3-E10	2	F03
			<b>51000</b>			53125-GEN5-C00	1	F03
						53140-LEJ2-E10	0	F03
			51400-LFC2-E80	0	F06	53166-LEJ2-E10	0	F03
50100-LFC4-E10	0	F20	51401-LEJ2-E10	0	F06	53175-KTCT-C00	0	F04
50301-KGN7-C00	2	F20	51410-LEJ2-E10	0	F06	53178-KNBN-C00	0	F04
50302-2H68-C00	2	F20	51412-LEJ2-E10	0	F06	53200-LFC2-E10	1	F06
50306-1F96-C00	1	F06	51420-LFC2-E10	1	F06	53204-LFC2-E10	1	F03
50326-LFC2-E10	1	F12	51422-LEJ2-E10	0	F06	53205-LFC2-E10	1	F03
50350-LFC3-B40	1	F20	51427-LEJ2-E10	0	F06	53206-LFC2-E10	1	F03
50500-LFC3-E10	3	F15	51428-LEJ2-E10	0	F06	53211-GFY6-C00	1	F06
50500-LFC4-E10	3	F15	51429-LEJ2-E10	0	F06	53212-2L50-C00	1	F06
50502-LDF7-C00	1	F15	51437-LEJ2-E10	0	F06	53214-2L50-C00	1	F06
50504-LEJ3-E11	0	E01	51500-LFC2-E80	0	F06	53215-2L50-C00	1	F06
50505-LAD9-C00	0	F15	51520-LFC2-E10	0	F06			
50505-LEJ2-E11	2	F20				<b>61000</b>		
50530-LFC2-E10	3	F15	<b>52000</b>			61100-LFC2-E10	1	F06
50531-KEB7-C00	1	F15						
50535-KEB7-W10	3	F15	52000-LFC3-E10	3	F16			
50550-KEB7-C00	1	F15	52100-LFC3-E10	0	F16	<b>64000</b>		
50611-LFC2-E10	2	F20	52400-LFC3-E10	2	F16			
50612-LFC2-E10	1	F20				64210-LFC2-E10	1	F03
50613-LFC2-E10	1	F20	<b>53000</b>			64211-LFC2-E10	1	F03
50650-LFC2-E10	3	F18				64301-LFC2-E10	2	F05
50655-LFC2-E10	2	F20	53100-LFC3-E10	3	F03	64302-LFC2-E10	1	F05
			53102-LFC3-E10	2	F03	64303-LFC2-E10	1	F05

## PART NO. INDEX

PART NO.	VERSION	PAGE	PART NO.	VERSION	PAGE	PART NO.	VERSION	PAGE
64305-LFC2-E10	1	F05	80102-LCD2-C00	0	F18	83510-LFC2-E10	1	F12
64306-LFC2-E10	1	F05	80105-LFC2-E10	1	F18	83600-LFC2-E10	1	F12
64307-LFC2-E10	1	F05	80109-KEB7-C00	0	F18	83610-LFC2-E10	1	F12
64308-LFC2-E10	1	F05	8010A-LFC3-E10	1	F18	83750-LFC2-E10	1	F12
64310-LFC2-E11	0	F05	80151-LFC2-E10	1	F12			
64315-LFC2-E10	3	F20	8015A-LFC2-E10	1	F12	<b>86000</b>		
64316-LCB9-C10	4	F05						
64316-LCB9-C10	4	F12	<b>81000</b>			86102-LEJ2-E00	2	F22
						86202-LFC3-E10	1	F22
<b>75000</b>			81131-LFC2-E10	1	F05			
			81132-LCB9-C10	0	F05	<b>87000</b>		
75581-6C73-C00	1	F05	81132-LFC2-E10	1	F05			
			81133-KNBN-C00	1	F05	87224-LEJ2-EZ0	1	F22
<b>77000</b>			81134-KGBG-9000	2	F05	87224-LEJ3-EZ0	0	F22
			81134-LFC2-E10	1	F05	87505-LFC2-E10	2	F22
77200-LFC3-E10	0	F09	81141-LFC2-E10	1	F05	87541-GAR1-C01	0	F22
77232-KCAC-C00	2	F12	81142-KFA6-C00	1	F05	87541-GAR1-C01	1	F22
77235-KGC4-C00	2	F19	81146-LFC2-E10	1	F05	87541-KUDU-E00	0	F22
77239-GFY6-C00	0	F19	81147-LFC2-E10	1	F05	87541-KUDU-E00	1	F22
77240-LFC2-E10	5	F19	81200-LFC2-E10	1	F12	87542-GAR1-E01	2	F22
			81250-LFC2-E10	1	F12	87560-GFY6-C01	3	F22
<b>80000</b>			81251-LEJ3-E10	0	F12			
						<b>88000</b>		
80100-KEB7-C00	0	F18	<b>83000</b>					
80100-LFC3-E10	1	F18				88110-LEB5-C11	0	F03
80101-LFC3-E10	1	F18	83500-LFC2-E10	1	F12	88120-LEB5-C11	0	F03

## PART NO. INDEX

PART NO.	VERSION	PAGE	PART NO.	VERSION	PAGE	PART NO.	VERSION	PAGE
<b>89000</b>			90110-LCD4-E00	1	F14	90426-KNBN-C00	1	E06
			90111-1G87-C00	1	F12	90440-1F66-C00	0	E08
			90112-KRDR-C00	1	F19	90441-GFY6-C00	1	E06
	89010-KGBG-C00	1	F09	90114-GDM4-C00	0	F13	90451-GBN2-C00	1
89020-KKC4-900	1	F09	90116-LEJ2-E10	0	F06	90465-MDC4-C00	0	E02
<b>90000</b>			90121-GFY6-C00	1	F20	90474-3C33-C00	1	E01
			90131-GLW0-C00	0	F04	90501-KNBN-C00	1	F08
			90131-KFAF-C00	0	F04	9052A-GFY6-C00	1	E01
	90001-GBHB-C00	1	E03	90145-9A61-C00	1	F04	90544-LEJ2-E10	0
90005-KAW1-901	1	E03	90201-GFY6-901	1	E07	90545-3L00-C00	2	F04
9000A-LEJ2-E10	0	E01	90202-1G87-C00	0	E06	90652-GFY6-C00	1	F13
90012-3C33-C00	1	E02	90206-0A01-C00	2	E02	90652-LCA4-C10	6	F03
90021-GFY6-C10	0	F14	90301-GFY6-C00	2	F14	90652-LCA4-C10	6	F18
90031-KUDU-C00	1	E01	90302-GFY6-C00	2	F15	90656-KUDU-900	0	F19
90032-KUDU-C00	1	E01	90302-GFY6-C10	0	F18	90677-GAR1-C00	1	F18
90033-GFY6-C00	2	E02	90302-LLB1-C00	2	F03	90683-GAR1-C00	4	F05
90033-GFY6-C10	2	E02	90302-SDA4-C00	2	F05	90701-HFB6-C00	0	E03
90105-KCR3-001	3	F07	90302-SDA4-C00	2	F12	90701-HFB6-C00	0	E07
90105-KCR3-001	3	F08	90304-4H38-C00	0	E02			
90106-GEN5-901	1	F03	90304-GHE8-C00	1	F03	<b>91000</b>		
90106-GFY6-901	1	F20	90304-GHE8-C00	1	F20			
90106-KFC2-900	1	F03	90305-GHK8-C00	1	F06	91003-KDS4-C00	1	E09
90107-KUDU-900	2	F20	90305-KNBN-C00	1	F08	91009-GLE0-C00	1	E09
90108-KFA6-E00	1	F15	90306-KLF0-C00	0	F07	91014-LLJ3-C00	1	F06
90110-GLW0-C00	0	F05	90403-KUDU-900	1	E07	91015-LLJ3-C00	1	F06
90110-KEB7-C00	1	F06	90412-3K29-C00	1	E01	91104-KGN7-671	0	E01

## PART NO. INDEX

PART NO.	VERSION	PAGE	PART NO.	VERSION	PAGE	PART NO.	VERSION	PAGE
91201-GFY6-C00	1	E01	93404-06016-07	0	F05	93903-GFY6-C00	2	F18
91202-KKJ9-C00	1	E01	93404-06016-07	0	F18			
91211-KEBE-C00	0	E06	93404-06016-07	0	F20	<b>94000</b>		
91251-LEJ2-E10	0	F06	93404-06020-07	4	F05			
91252-0L30-004	0	F07	93404-06022-07	0	F06	94050-05080	2	F18
91254-LEJ2-E10	0	F06	93500-04010-08	0	E05	94050-06080	2	E02
91255-LDC8-E10	4	E09	93500-04014-1A	0	E05	94050-06080	2	E07
91258-4L10-007	1	F07	93500-05012-08	0	E05	94050-06080	2	F09
91301-0C53-W10	0	E09	93700-05018-0H	1	F02	94050-06080	2	F19
91301-0H28-C00	1	E02	93892-04008-18	0	E05	94050-08080	4	E02
91302-0A01-C00	1	E04	93901-34220	0	F17	94050-12080	1	E06
91306-1E05-C00	0	E03	93903-25480	1	F13	94050-12080	1	E08
91351-6B42-C00	0	E06	93903-34280	0	F05	94101-06200	1	F14
91508-KGV7-C00	0	F18	93903-34320	0	F02	94101-06700	0	F14
			93903-34380	6	F03	94101-10800	1	F20
<b>92000</b>			93903-34380	6	F05	94111-06800	1	F13
			93903-34380	6	F12	94301-10160	4	E01
92101-05012-0H	2	E08	93903-34380	6	F17	94301-10160	4	E02
92900-06060-0B	2	E02	93903-34380	6	F18	94301-10160	4	E03
			93903-35280	1	F02	94301-10160	4	E04
<b>93000</b>			93903-35280	1	F03	94301-10200	2	E01
			93903-35280	1	F18	94511-14000	1	E01
93404-06012-06	1	F18	93903-35280	1	F20	94591-25000	0	E05
93404-06012-07	5	F12	93903-35320	4	F01	94591-25000	0	F18
93404-06012-07	5	F18	93903-GFY6-C00	2	F05	94601-15000	1	E03
93404-06012-07	5	F20	93903-GFY6-C00	2	F12	94608-LEJ2-E10	0	F06

## PART NO. INDEX

PART NO.	VERSION	PAGE	PART NO.	VERSION	PAGE	PART NO.	VERSION	PAGE	
<b>95000</b>			95701-08040-08	3	F20	96001-06025-08	4	E08	
			95701-08045-08	1	F16	96001-06028-08	1	E04	
			95701-08050-08	1	F16	96001-06045-08	1	E01	
	95002-02120	1	F13	95701-LDC8-E10	0	F19	96001-06050-08	1	E01
	95002-50000	1	F13	95801-06040-08	0	E09	96001-06100-08	2	E02
	95002-KKD6-C00	1	F21	95801-08032-08	0	F16	96001-06100-08	2	E04
	95003-23029-60	0	F13	95801-08040-08	4	F06	96001-06110-08	1	E04
	9500A-35250-20	0	E05	95801-10025-08	0	F15	96100-60020-00	1	E09
	95012-LEJ2-E10	0	F11	95801-10035-08	1	F16	96100-62020-00	1	E01
	95701-06008-08	0	F13	<b>96000</b>			96100-63030-00	0	E01
	95701-06012-08	3	E04		96120-63010-10	0	F07		
	95701-06012-08	3	F06				<b>98000</b>		
	95701-06012-08	3	F10	96001-06008-07	1	F14			
	95701-06012-08	3	F19	96001-06010-02	1	F14			
	95701-06014-08	0	F19	96001-06012-00	0	F16	98056-5771R-00	1	E02
	95701-06016-08	1	F20	96001-06012-08	3	E01	98200-10700	2	F11
	95701-06022-07	1	F15	96001-06012-08	3	E04			
	95701-06025-00	0	E02	96001-06012-08	3	E07			
	95701-06025-08	2	E02	96001-06012-08	3	F18			
	95701-06035-08	1	E02	96001-06016-08	6	E07			
	95701-06040-00	0	E02	96001-06016-08	6	E08			
	95701-06050-08	1	E02	96001-06016-08	6	F19			
95701-08012-08	2	E01	96001-06018-08	1	E08				
95701-08012-08	2	F19	96001-06022-08	2	E08				
95701-08028-08	0	F20	96001-06022-08	2	F04				
95701-08040-08	3	F12	96001-06025-08	4	E07				